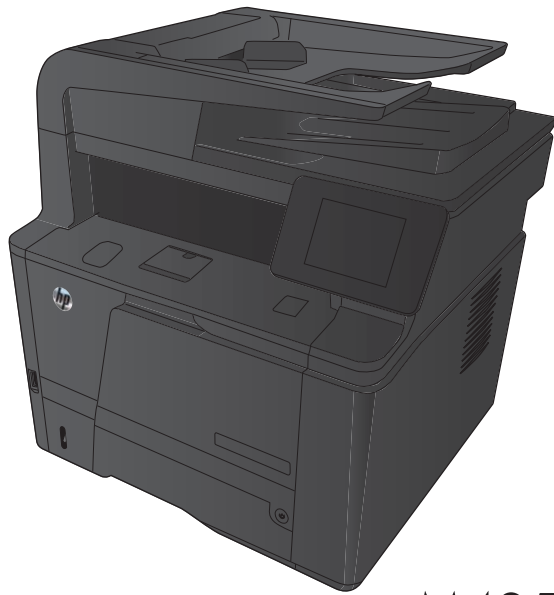




LASERJET PRO 400 MFP

## Repair Manual



M425





# HP LaserJet Pro 400 MFP M425 Series

Repair Manual

**Copyright and License**

© 2012 Copyright Hewlett-Packard Development Company, L.P.

Reproduction, adaptation, or translation without prior written permission is prohibited, except as allowed under the copyright laws.

The information contained herein is subject to change without notice.

The only warranties for HP products and services are set forth in the express warranty statements accompanying such products and services. Nothing herein should be construed as constituting an additional warranty. HP shall not be liable for technical or editorial errors or omissions contained herein.

Part number: CF286-90979


Edition 2, 10/2012

**Trademark Credits**


Microsoft®, Windows®, Windows® XP, and Windows Vista® are U.S. registered trademarks of Microsoft Corporation.


## Conventions used in this guide

---

 **TIP:** Tips provide helpful hints or shortcuts.

 **NOTE:** Notes provide important information to explain a concept or to complete a task.

 **CAUTION:** Cautions indicate procedures that you should follow to avoid losing data or damaging the product.

 **WARNING!** Warnings alert you to specific procedures that you should follow to avoid personal injury, catastrophic loss of data, or extensive damage to the product.

---



---

# Table of contents

<b>1 Removal and replacement .....</b>	<b>1</b>
Removal and replacement strategy .....	2
Electrostatic discharge .....	2
Required tools .....	3
Types of screws .....	3
Service approach .....	3
Before performing service .....	3
After performing service .....	4
Post-service test .....	4
Print-quality test .....	4
Parts removal order .....	5
Removal and replacement procedures .....	6
Rollers .....	6
Multipurpose (MP) tray pickup roller .....	6
Multipurpose (MP) tray separation pad .....	6
Tray 2 and optional Tray 3 pickup roller .....	9
Tray 2 and optional Tray 3 separation pad .....	10
Document feeder rollers .....	11
Document feeder separation pad .....	12
Covers, scanner assembly, and control panel .....	13
Left cover .....	13
Scanner assembly .....	13
Control panel .....	15
Right cover .....	17
Top cover .....	18
Rear cover, rear door, and feed assembly .....	20
Cartridge door and front cover assembly .....	22
Main assemblies .....	25
Laser scanner assembly .....	25
Registration assembly .....	26
Fuser assembly and paper feed guide .....	28
Duplex drive assembly .....	31

Solenoids .....	34
Tray 1 solenoid .....	34
Duplex solenoid .....	35
Motors and fans .....	37
Main motor .....	37
Fan .....	39
Printed circuit-board assemblies (PCAs) .....	41
Engine controller assembly (DC controller) PCA .....	41
Universal serial bus (USB) PCA .....	46
Formatter PCA .....	48
Wireless PCA .....	48
Fax PCA .....	49
Power switch PCA .....	50
Connecting PCA .....	51
Miscellaneous parts .....	52
Transfer roller .....	52
Multipurpose (MP) tray pickup gear assembly .....	53
Document feeder assembly .....	54
Optional paper feeder (Tray 3) .....	55
Optional paper feeder right cover .....	56
Optional paper feeder driver PCA .....	56
Optional paper feeder paper sensor PCA .....	57

## **2 Parts and diagrams ..... 61**

Order parts by authorized service providers .....	62
Order replacement parts .....	62
Related documentation and software .....	62
Supplies part numbers .....	62
Whole-unit replacement part numbers .....	62
How to use the parts lists and diagrams .....	64
Assembly locations .....	65
Main unit .....	65
Optional paper feeder .....	66
Covers, panels, and doors .....	68
Internal assemblies .....	70
Scanner and document feeder .....	82
Input devices .....	84
500-sheet paper feeder .....	84
Paper feeder covers .....	84
Paper feeder main body (1 of 2) .....	86
Paper feeder main body (2 of 2) .....	88



Alphabetical parts list .....	90
Numerical parts list .....	94

<b>Index .....</b>	<b>99</b>
--------------------	-----------



---

# List of tables

Table 2-1	Order parts, accessories, and supplies .....	62
Table 2-2	Related documentation and software .....	62
Table 2-3	Supplies part numbers .....	62
Table 2-4	Whole-unit replacement part numbers .....	63
Table 2-5	Assembly locations: main unit .....	65
Table 2-6	Assembly locations: optional paper feeder .....	66
Table 2-7	Covers, panels, and doors .....	69
Table 2-8	Internal components (1 of 5) .....	71
Table 2-9	Internal components (2 of 5) .....	73
Table 2-10	Internal components (3 of 5) .....	75
Table 2-11	Internal components (4 of 5) .....	77
Table 2-12	Internal components (5 of 5) .....	79
Table 2-13	PCA locations .....	81
Table 2-14	Scanner and document feeder .....	83
Table 2-15	Paper feeder covers .....	85
Table 2-16	Paper feeder main body (1 of 2) .....	87
Table 2-17	Paper feeder main body (2 of 2) .....	89
Table 2-18	Alphabetical parts list .....	90
Table 2-19	Numerical parts list .....	94



---

# List of figures

Figure 1-1	Phillips and Pozidriv screwdriver comparison .....	3
Figure 1-2	Parts-removal order .....	5
Figure 1-3	Remove the MP tray roller .....	6
Figure 1-4	Remove the MP tray separation pad (1 of 5) .....	7
Figure 1-5	Remove the MP tray separation pad (2 of 5) .....	7
Figure 1-6	Remove the MP tray separation pad (3 of 5) .....	8
Figure 1-7	Remove the MP tray separation pad (4 of 5) .....	8
Figure 1-8	Remove the MP tray separation pad (5 of 5) .....	9
Figure 1-9	Remove the Tray 2 or Tray 3 pickup roller (1 of 2) .....	9
Figure 1-10	Remove the Tray 2 or Tray 3 pickup roller (2 of 2) .....	10
Figure 1-11	Remove the Tray 2 or Tray 3 separation pad .....	10
Figure 1-12	Remove the document feeder rollers (1 of 2) .....	11
Figure 1-13	Remove the document feeder rollers (2 of 2) .....	11
Figure 1-14	Remove the document feeder separation pad (1 of 2) .....	12
Figure 1-15	Remove the document feeder separation pad (2 of 2) .....	12
Figure 1-16	Remove the left cover .....	13
Figure 1-17	Remove the scanner assembly (1 of 2) .....	14
Figure 1-18	Remove the scanner assembly (2 of 2) .....	14
Figure 1-19	Remove the control panel (1 of 3) .....	15
Figure 1-20	Remove the control panel (2 of 3) .....	16
Figure 1-21	Remove the control panel (3 of 3) .....	16
Figure 1-22	Remove the right cover .....	17
Figure 1-23	Remove the top-cover assembly (1 of 3) .....	18
Figure 1-24	Remove the top-cover assembly (2 of 3) .....	19
Figure 1-25	Remove the top-cover assembly (3 of 3) .....	19
Figure 1-26	Remove the rear cover, rear door, and feed assembly (1 of 3) .....	20
Figure 1-27	Remove the rear cover, rear door, and feed assembly (2 of 3) .....	21
Figure 1-28	Remove the rear cover, rear door, and feed assembly (3 of 3) .....	21
Figure 1-29	Remove the cartridge door assembly and front cover (1 of 4) .....	22
Figure 1-30	Remove the cartridge door assembly and front cover (2 of 4) .....	23
Figure 1-31	Remove the cartridge door assembly and front cover (3 of 4) .....	23
Figure 1-32	Remove the cartridge door assembly and front cover (4 of 4) .....	24

Figure 1-33	Remove the laser scanner assembly (1 of 2)	25
Figure 1-34	Remove the laser scanner assembly (2 of 2)	26
Figure 1-35	Remove the registration assembly (1 of 3)	27
Figure 1-36	Remove the registration assembly (2 of 3)	27
Figure 1-37	Remove the registration assembly (3 of 3)	28
Figure 1-38	Remove the fuser (1 of 5)	29
Figure 1-39	Remove the fuser (2 of 5)	29
Figure 1-40	Remove the fuser (3 of 5)	30
Figure 1-41	Remove the fuser (4 of 5)	30
Figure 1-42	Remove the fuser (5 of 5)	31
Figure 1-43	Remove the duplex drive assembly (1 of 4)	32
Figure 1-44	Remove the duplex drive assembly (2 of 4)	32
Figure 1-45	Remove the duplex drive assembly (3 of 4)	33
Figure 1-46	Remove the duplex drive assembly (4 of 4)	33
Figure 1-47	Remove the Tray 1 pickup solenoid (1 of 2)	34
Figure 1-48	Remove the Tray 1 pickup solenoid (2 of 2)	35
Figure 1-49	Remove the duplex solenoid	36
Figure 1-50	Remove the main motor (1 of 4)	37
Figure 1-51	Remove the main motor (2 of 4)	38
Figure 1-52	Remove the main motor (3 of 4)	38
Figure 1-53	Remove the main motor (4 of 4)	39
Figure 1-54	Remove the fan (1 of 2)	40
Figure 1-55	Remove the fan (2 of 2)	40
Figure 1-56	Allow the engine controller assembly to cool	41
Figure 1-57	Remove the engine controller assembly (1 of 9)	42
Figure 1-58	Remove the engine controller assembly (2 of 9)	42
Figure 1-59	Remove the engine controller assembly (3 of 9)	43
Figure 1-60	Remove the engine controller assembly (4 of 9)	43
Figure 1-61	Remove the engine controller assembly (5 of 9)	44
Figure 1-62	Remove the engine controller assembly (6 of 9)	44
Figure 1-63	Remove the engine controller assembly (7 of 9)	45
Figure 1-64	Remove the engine controller assembly (8 of 9)	45
Figure 1-65	Remove the engine controller assembly (9 of 9)	46
Figure 1-66	Remove the USB PCA (1 of 2)	47
Figure 1-67	Remove the USB PCA (2 of 2)	47
Figure 1-68	Remove the formatter	48
Figure 1-69	Remove the wireless PCA	49
Figure 1-70	Remove the fax PCA	49
Figure 1-71	Remove the power-switch PCA (1 of 3)	50
Figure 1-72	Remove the power-switch PCA (2 of 3)	51
Figure 1-73	Remove the power-switch PCA (3 of 3)	51

Figure 1-74	Remove the connecting PCA .....	52
Figure 1-75	Remove the transfer roller .....	53
Figure 1-76	Remove the paper-pickup-gear assembly .....	54
Figure 1-77	Remove the document feeder (1 of 2) .....	55
Figure 1-78	Remove the document feeder (2 of 2) .....	55
Figure 1-79	Remove the optional paper feeder right cover .....	56
Figure 1-80	Remove the optional paper feeder driver PCA (1 of 2) .....	57
Figure 1-81	Remove the optional paper feeder driver PCA (2 of 2) .....	57
Figure 1-82	Remove the optional paper feeder paper sensor PCA (1 of 3) .....	58
Figure 1-83	Remove the optional paper feeder paper sensor PCA (2 of 4) .....	58
Figure 1-84	Remove the optional paper feeder paper sensor PCA (3 of 4) .....	59
Figure 1-85	Remove the optional paper feeder paper sensor PCA (4 of 4) .....	59
Figure 2-1	Assembly locations: main unit .....	65
Figure 2-2	Assembly locations: optional paper feeder .....	66
Figure 2-3	Covers, panels, and doors .....	68
Figure 2-4	Internal components (1 of 5) .....	70
Figure 2-5	Internal components (2 of 5) .....	72
Figure 2-6	Internal components (3 of 5) .....	74
Figure 2-7	Internal components (4 of 5) .....	76
Figure 2-8	Internal components (5 of 5) .....	78
Figure 2-9	PCA locations .....	80
Figure 2-10	Scanner and document feeder .....	82
Figure 2-11	Paper feeder covers .....	84
Figure 2-12	Paper feeder main body (1 of 2) .....	86
Figure 2-13	Paper feeder main body (2 of 2) .....	88





---

# 1 Removal and replacement

- [Removal and replacement strategy](#)
- [Service approach](#)
- [Removal and replacement procedures](#)

## Removal and replacement strategy

---

**⚠ WARNING!** Turn the product off, wait 5 seconds, and then remove the power cord before attempting to service the product. If this warning is not followed, severe injury can result, in addition to damage to the product. The power must be on for certain functional checks during problem solving. However, the power supply should be disconnected during parts removal.

Never operate or service the product with the protective cover removed from the laser/scanner assembly. The reflected beam, although invisible, can damage your eyes.

The sheet-metal parts can have sharp edges. Be careful when handling sheet-metal parts.


**⚠ CAUTION:** Do not bend or fold the flat flexible cables (FFCs) during removal or installation. Also, do not straighten pre-folds in the FFCs. You *must* Make sure that all FFCs are fully seated in their connectors. Failure to fully seat an FFC into a connector can cause a short circuit in a PCA.

**📝 NOTE:** To install a self-tapping screw, first turn it counterclockwise to align it with the existing thread pattern, and then carefully turn it clockwise to tighten. Do not overtighten. If a self-tapping screw-hole becomes stripped, repair the screw-hole or replace the affected assembly.

---

## Electrostatic discharge

---

**⚠ CAUTION:**  Some parts are sensitive to electrostatic discharge (ESD). Look for the ESD reminder when removing product parts. Always perform service work at an ESD-protected workstation or mat. If an ESD workstation or mat is not available, ground yourself by touching the sheet-metal chassis *before* touching an ESD-sensitive part.

Protect the ESD-sensitive parts by placing them in ESD pouches when they are out of the product.

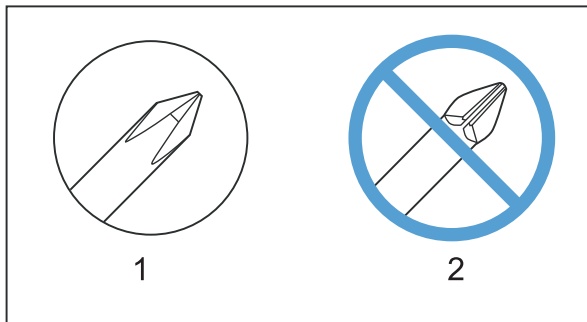
---

## Required tools

- #2 Phillips screwdriver with a magnetic tip and a 152 mm (6 in) shaft length
- Small flatblade screwdriver
- Needle-nose pliers
- ESD mat (if one is available) or ESD strap
- Penlight (optional)

**⚠ CAUTION:** Always use a Phillips screwdriver (callout 1). Do not use a Pozidriv® screwdriver (callout 2) or any motorized screwdriver. These can damage screws or screw threads.

**Figure 1-1** Phillips and Pozidriv screwdriver comparison



**⚠ CAUTION:** Avoid pulling directly on wires to disconnect wire-harness connectors. Pull on the plastic body of a connector to avoid damaging the connector wires.

## Types of screws

**⚠ WARNING!** Make sure that components are replaced with the correct screw type. Using the incorrect screw (for example, substituting a long screw for the correct shorter screw) can cause damage to the product or interfere with product operation. Do not intermix screws that are removed from one component with the screws that are removed from another component.

For a complete list of screw types and part numbers, see the Parts chapter.

## Service approach

### Before performing service

- Remove all paper from the product.
- Turn off the power using the power switch.
- Unplug the power cable and interface cable or cables.
- Place the product on an ESD workstation or mat, or use an ESD strap (if one is available). If an ESD workstation, mat, or strap is not available, ground yourself by touching the sheet-metal chassis *before* touching an ESD-sensitive part.

- Remove the toner cartridge.
- Remove the Tray 2 cassette.

## After performing service

- Plug in the power cable.
- Reinstall the toner cartridge.
- Reinstall the Tray 2 cassette.
- Load paper in the product.

## Post-service test

Perform the following test to verify that the repair or replacement was successful.

### Print-quality test

1. Verify that you have completed the necessary reassembly steps.
2. Make sure that the tray contains clean, unmarked paper.
3. Attach the power cord and interface cable or interface cables, and then turn on the product.
4. Verify that the expected startup sounds occur.
5. Print a configuration page, and then verify that the expected printing sounds occur.
6. Print a demo page, and then verify that the print quality is as expected.
7. Send a print job from the host computer, and then verify that the output meets expectations.
8. Clean the outside of the product with a damp cloth.

## Parts removal order

Use the following diagram to determine which parts must be removed before removing other parts.

**Figure 1-2** Parts-removal order

Component	Remove	Remove	Remove	Remove	Remove	Remove	Remove	Remove
Toner cartridge								
Tray 2 cassette								
Tray 1 pickup roller								
Tray 1 separation pad	Left cover							
Tray 1 pickup gear assembly	Left cover							
Tray 2/3 pickup roller	Tray 2/3 cassette							
Tray 2/3 separation roller	Tray 2/3 cassette							
Document feeder pickup rollers								
Document feeder separation pad								
Transfer roller	Toner cartridge							
Left cover	Tray 2 cassette							
Scanner assembly	Left cover							
Control panel	Left cover	Scanner assembly						
Right cover	Left cover	Scanner assembly	Control panel					
Top cover	Left cover	Scanner assembly	Control panel	Right cover				
Rear cover and feed assembly	Left cover	Scanner assembly	Control panel	Right cover				
Cartridge door and front cover assembly	Left cover	Scanner assembly	Control panel	Right cover				
Document feeder assembly	Left cover	Scanner assembly						
Laser scanner assembly	Left cover	Scanner assembly	Control panel	Right cover	Top cover			
Registration roller assembly	Left cover	Scanner assembly	Control panel	Right cover	Rear cover and feed assembly	Top cover		
Fuser assembly and paper feed guide	Left cover	Scanner assembly	Control panel	Right cover	Rear cover and feed assembly			
Duplex drive assembly	Left cover	Scanner assembly	Control panel	Right cover	Top cover			
Tray 1 solenoid	Left cover							
Tray 2 solenoid	Left cover	Scanner assembly	Control panel	Right cover				
Duplex solenoid	Left cover	Scanner assembly	Control panel	Right cover	Rear cover and feed assembly	Top cover	Fan	Duplex drive assembly
Main motor	Left cover	Scanner assembly	Control panel	Right cover	Rear cover and feed assembly	Top cover	Fuser	ECU
Fan	Left cover	Scanner assembly	Control panel	Right cover	Top cover			
Engine controller unit (ECU) PCA	Left cover	Scanner assembly	Control panel	Right cover	Rear cover and feed assembly	Top cover		
Formatter PCA	Left cover	Wireless PCA (wireless models)						
USB PCA	Left cover							
Wireless PCA (wireless models)	Left cover							
Fax PCA	Left cover							
Power switch PCA	Left cover	Scanner assembly	Control panel	Right cover	Front cover assembly			
Connecting PCA	Left cover	Scanner assembly	Control panel	Right cover				
Optional paper feeder right cover								
Optional paper feeder driver PCA	Tray 3 right cover							
Optional paper feeder paper sensor PCA	Tray 3 right cover							

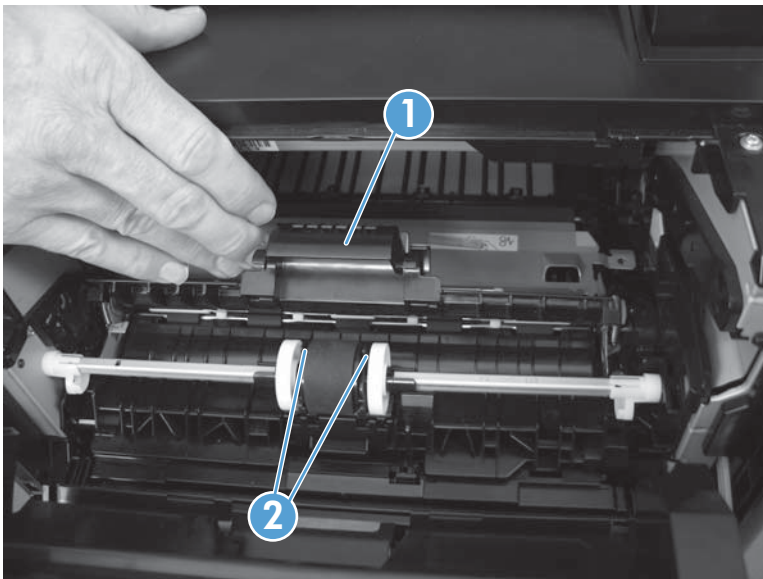
# Removal and replacement procedures

## Rollers

### Multipurpose (MP) tray pickup roller

1. Open the toner cartridge door, and then remove the toner cartridge.
2. Pull back and hold the pickup roller cover (callout 1), press the tabs (callout 2) on both ends of the pickup roller away from the roller — which should cause the roller to move up — and then remove the roller.

**Figure 1-3** Remove the MP tray roller




### Multipurpose (MP) tray separation pad

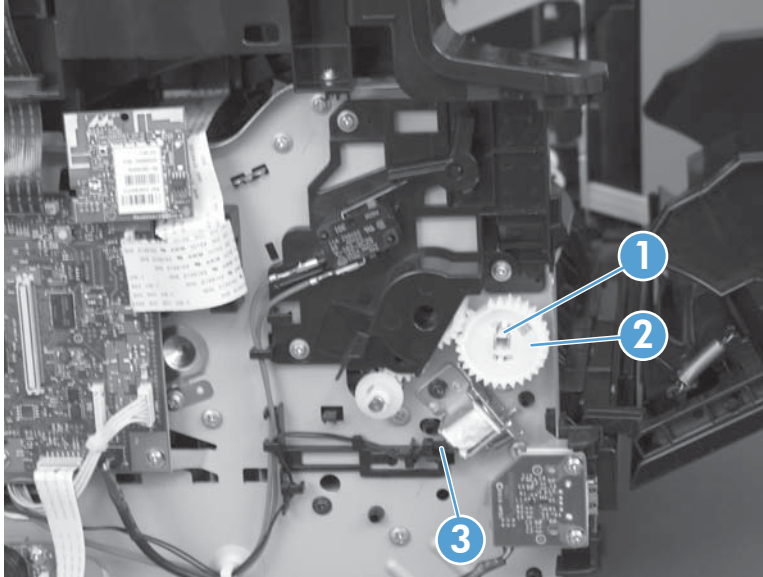
To remove the separation pad, you must first remove the pickup roller assembly.


1. Remove the following components:
  - Tray 2 cassette
  - Left cover. See [Left cover on page 13](#).
2. Open the toner cartridge door, and then remove the toner cartridge.

3. On the left side of the product, release the tab (callout 1) at the center of the gear, and then remove the gear (callout 2).

 **NOTE:** The gear is composed of two pieces. Releasing the outer tab does not remove the entire gear assembly and exposes an internal spring in the gear.

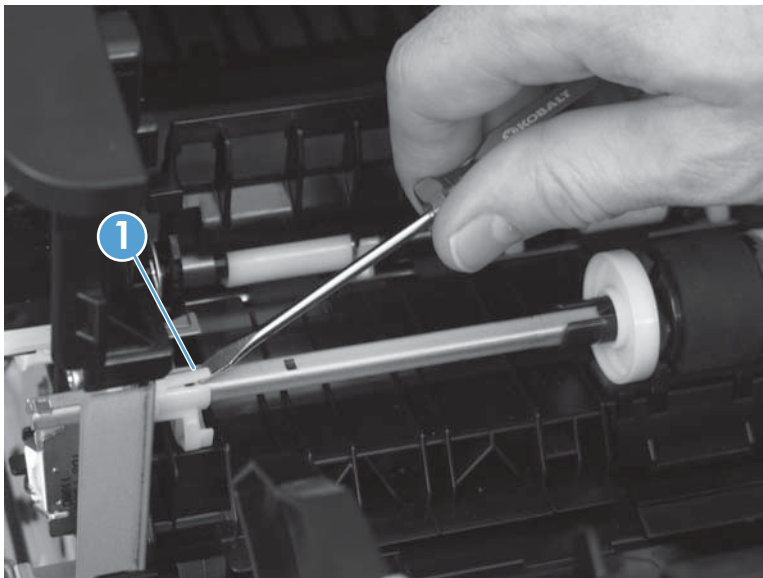
**Figure 1-4** Remove the MP tray separation pad (1 of 5)



 **Reinstallation tip** Press and hold back the gear arm (callout 3) when reinstalling the pickup gear.

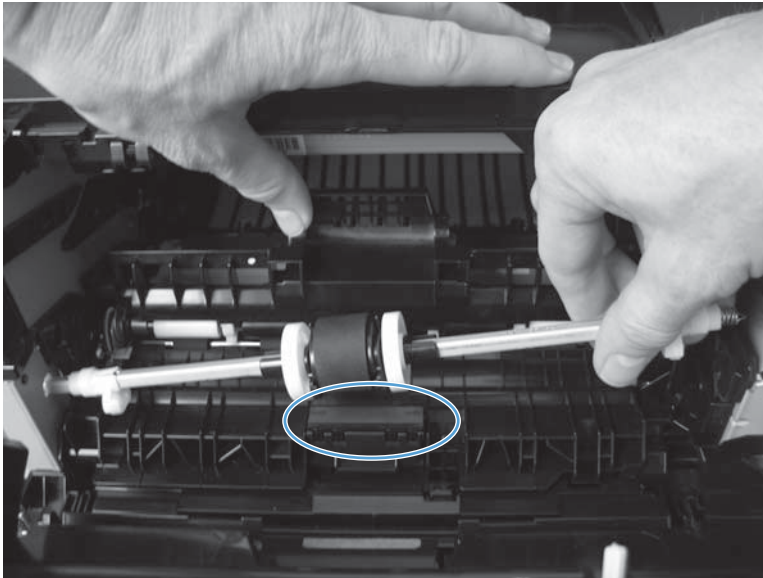
4. In the toner cartridge cavity, pull back the pickup roller cover, and then use a small flat-blade screwdriver to release the tab (callout 1) on the pickup roller shaft.


**Figure 1-5** Remove the MP tray separation pad (2 of 5)



5. Move the pickup roller shaft to the left to free the right end of the shaft from the holder, and then remove the pickup roller shaft assembly to expose the separation pad.

**Figure 1-6** Remove the MP tray separation pad (3 of 5)



 **Reinstallation tip** The spring at the right end of the shaft is not captive and might fall off during this process. Make sure that the spring is positioned correctly when reinstalling, as shown in the following figure.

**Figure 1-7** Remove the MP tray separation pad (4 of 5)






6. Pull up on the top edge of the separation pad to release it from the product.

**Figure 1-8** Remove the MP tray separation pad (5 of 5)

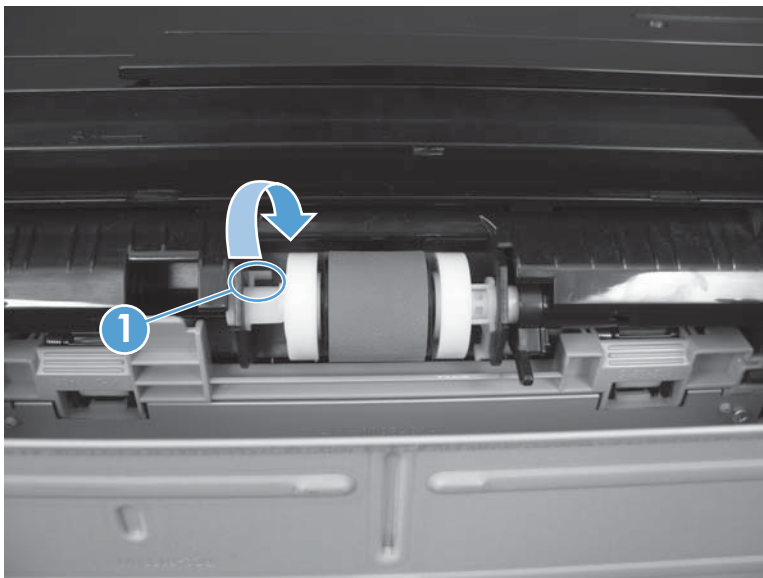


 **Reinstallation tip** When reinstalling the pickup roller shaft assembly, make sure that the flat part of the pickup roller is directly over the separation pad.

## Tray 2 and optional Tray 3 pickup roller

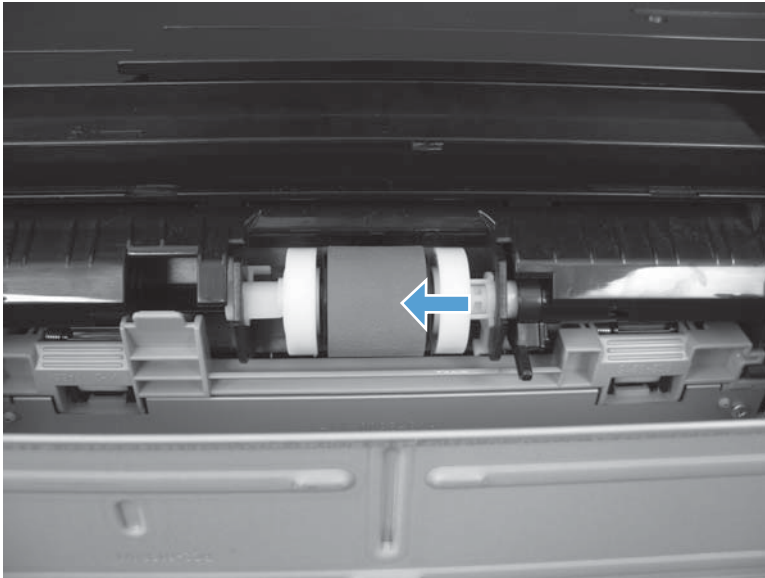
1. Remove the tray cassette from the product.
2. Locate the pickup roller at the top of the cassette cavity. On the left roller holder, release the tab (callout 1), and then turn the holder away from you.

**Figure 1-9** Remove the Tray 2 or Tray 3 pickup roller (1 of 2)



3. Push the pickup roller to the left to release the right side roller, and then pull the roller out of the product.

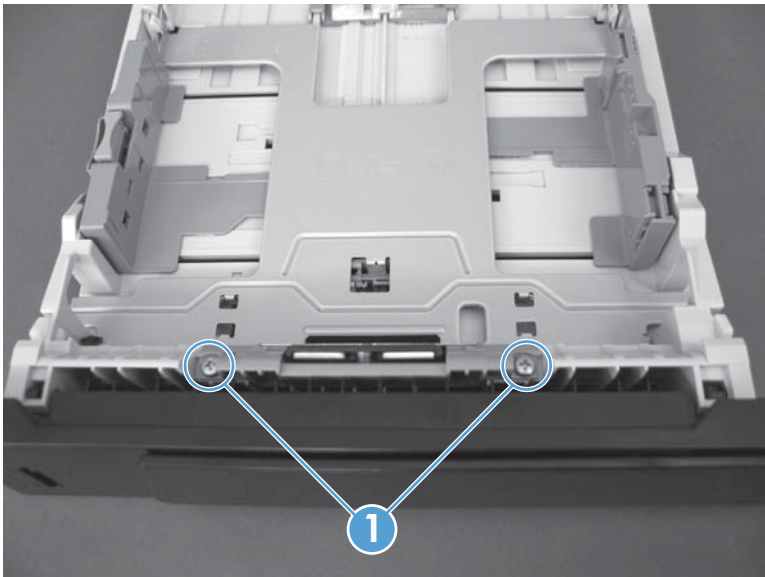
**Figure 1-10** Remove the Tray 2 or Tray 3 pickup roller (2 of 2)



## Tray 2 and optional Tray 3 separation pad

1. Remove the tray cassette from the product.
2. Locate the separation pad at the front of the cassette. On the separation pad, remove two screws (callout 1), and then remove the pad from the tray cassette.

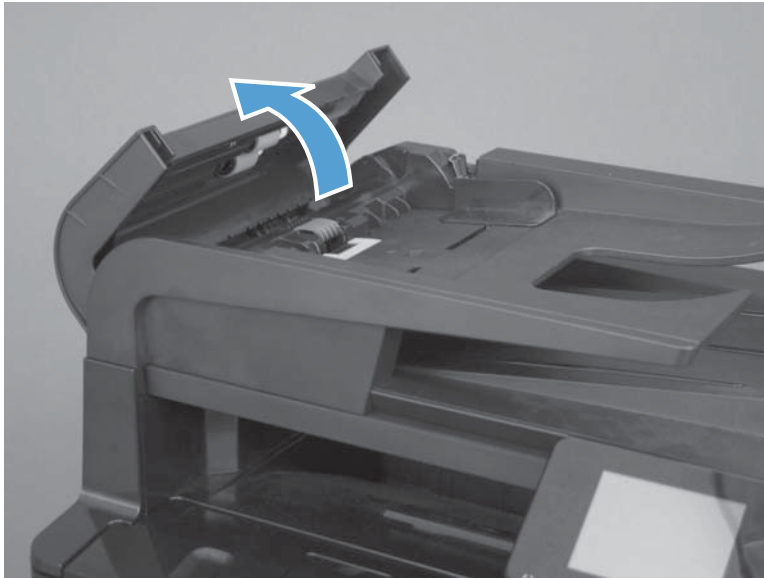
**Figure 1-11** Remove the Tray 2 or Tray 3 separation pad



## Document feeder rollers

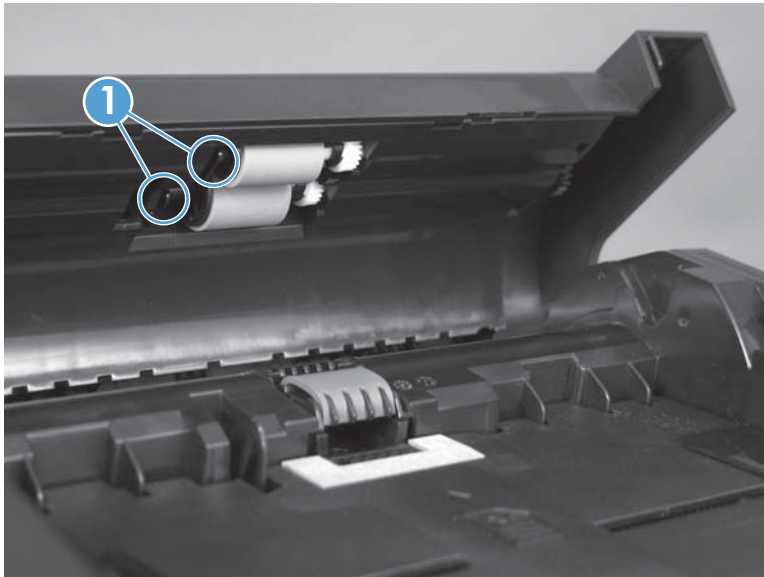
1. Open the document feeder cover.

**Figure 1-12** Remove the document feeder rollers (1 of 2)



2. On the underside of the document feeder cover, use a small flat-blade screwdriver to release the tabs (callout 1) on the left side of each roller, and then pull the rollers out of the cover.

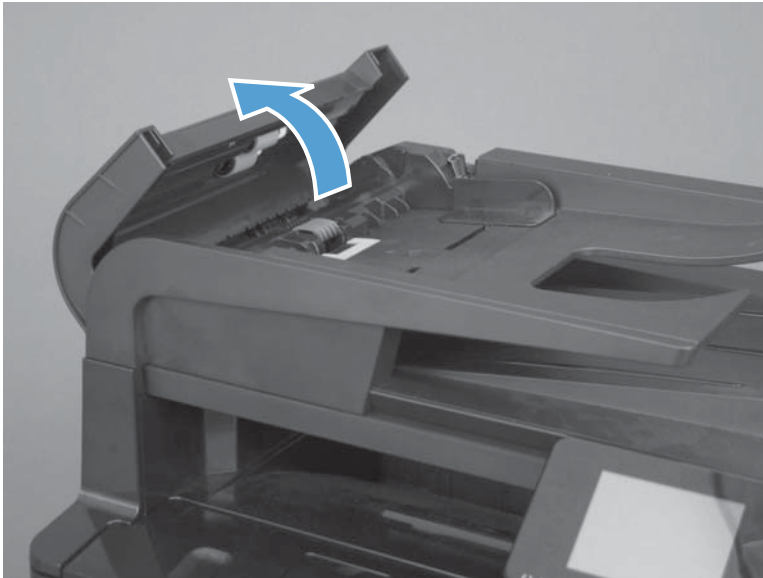
**Figure 1-13** Remove the document feeder rollers (2 of 2)



## Document feeder separation pad

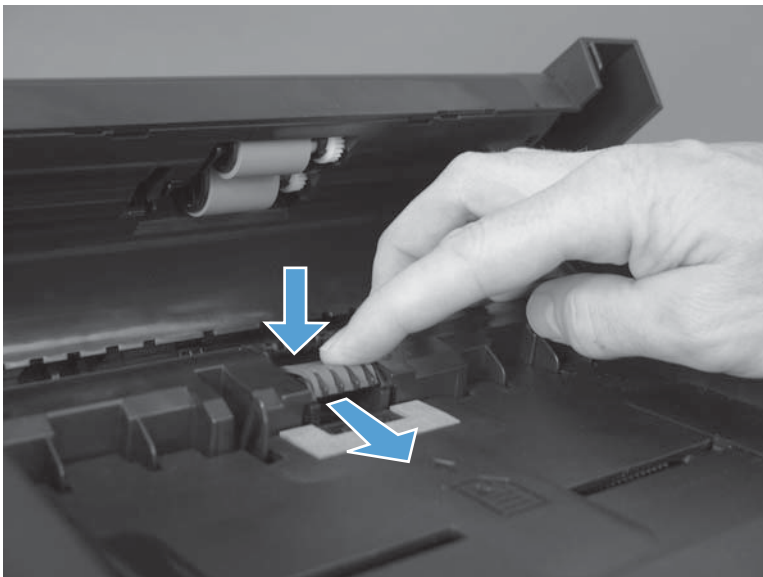
1. Open the document feeder cover.

**Figure 1-14** Remove the document feeder separation pad (1 of 2)




2. Locate the separation pad at the end of the document feeder input tray, press down on the pad, and then slide the pad toward the input tray to remove it from the assembly.

**Figure 1-15** Remove the document feeder separation pad (2 of 2)



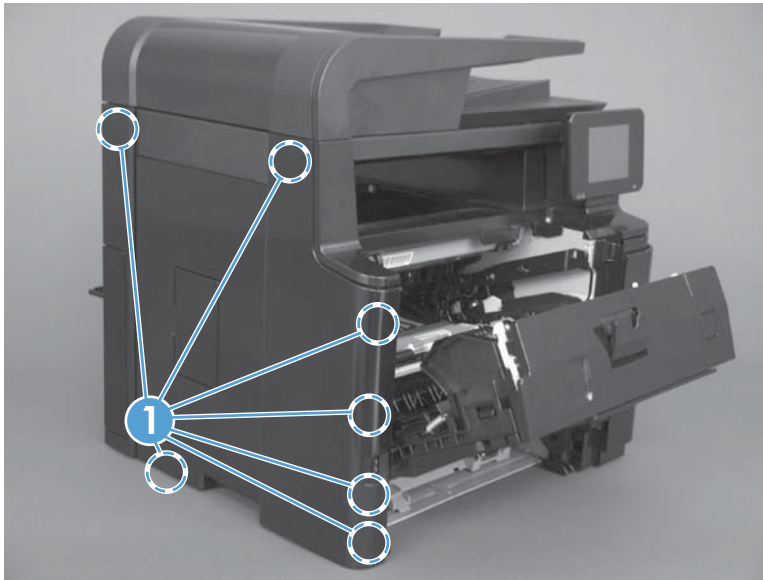
## Covers, scanner assembly, and control panel

### Left cover

 **NOTE:** No tools are necessary to remove this cover. However, a small flat-blade screwdriver might be helpful in releasing some of the tabs that hold the cover to the product chassis.

1. Remove the Tray 2 cassette.
2. Open the toner cartridge door and the rear jam access door.
3. Grasp the front edge of the cover, and then pull the cover toward the front to release four of the seven tabs (callout 1), and then release the two tabs at the top of the cover.

**Figure 1-16** Remove the left cover



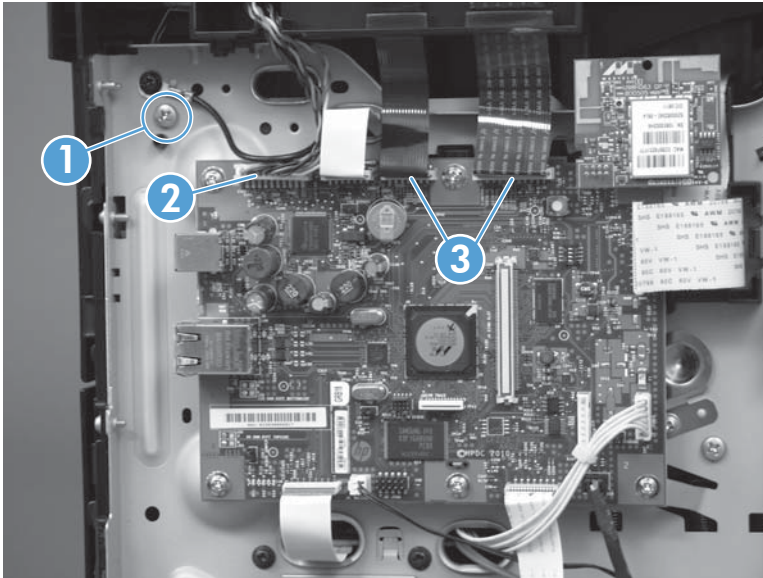
4. With the top and front edges loose, tip the top of the cover away from the product and then carefully slide the cover toward the back of the product to remove it.


### Scanner assembly

1. Remove the following components:
  - Tray 2 cassette
  - Left cover. See [Left cover on page 13](#).
2. Open the toner cartridge door and the rear jam access door.

3. On the left side of the product, remove the ground-wire screw (callout 1), disconnect one wire connector (callout 2) on the formatter, and disconnect two flat, flexible cables (callout 3) on the formatter.

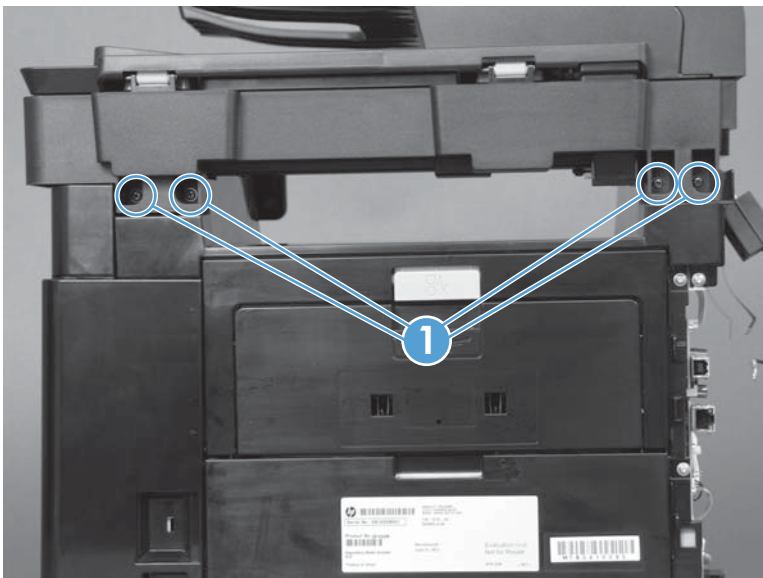
**Figure 1-17** Remove the scanner assembly (1 of 2)




 **Reinstallation tip** Do not lose the two protective guides installed on the flat, flexible cables. Be sure to reinstall them when you reinstall the scanner assembly.

4. At the rear of the product, remove four screws (callout 1), and then slide the scanner toward the rear of the product to remove the assembly.

**Figure 1-18** Remove the scanner assembly (2 of 2)

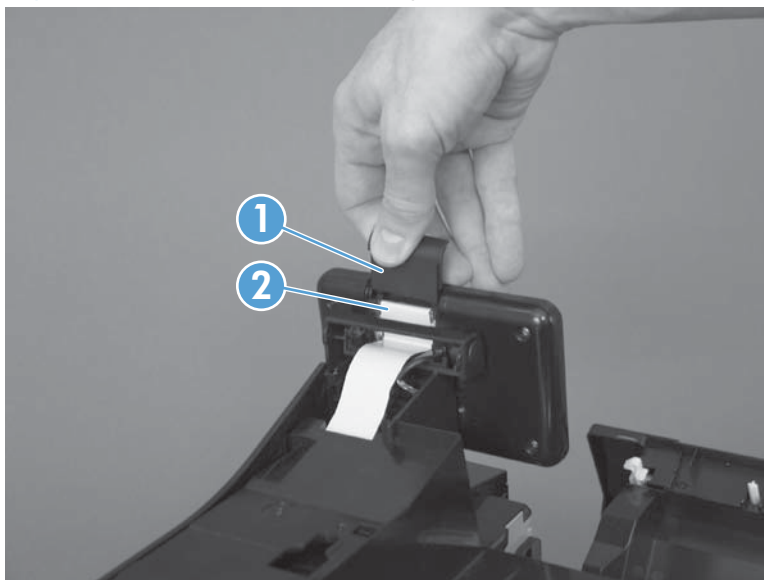


 **NOTE:** The four scanner assembly screws removed in this step are a different size than the other screws used on the product. Set these screws aside to use when you reinstall the scanner assembly.

## Control panel

1. Remove the following components:
  - Tray 2 cassette
  - Left cover. See [Left cover on page 13](#).
  - Scanner assembly. See [Scanner assembly on page 13](#).
2. Open the toner cartridge door and the rear jam access door.
3. On the rear of the control panel, remove the cable cover (callout 1), disconnect one flat, flexible cable (callout 2), and then pull back the flat, flexible cable.

**Figure 1-19** Remove the control panel (1 of 3)



4. In the cavity behind the control panel, loosen two screws (callout 1). Only the left screw can be removed. The right screw can only be loosened, because it is attached to a ground cable.

**Figure 1-20** Remove the control panel (2 of 3)



5. Pull the top of the control panel assembly away from the product to release the tab (callout 1) at the back of the assembly, and then pull the control panel away from the product.

**Figure 1-21** Remove the control panel (3 of 3)

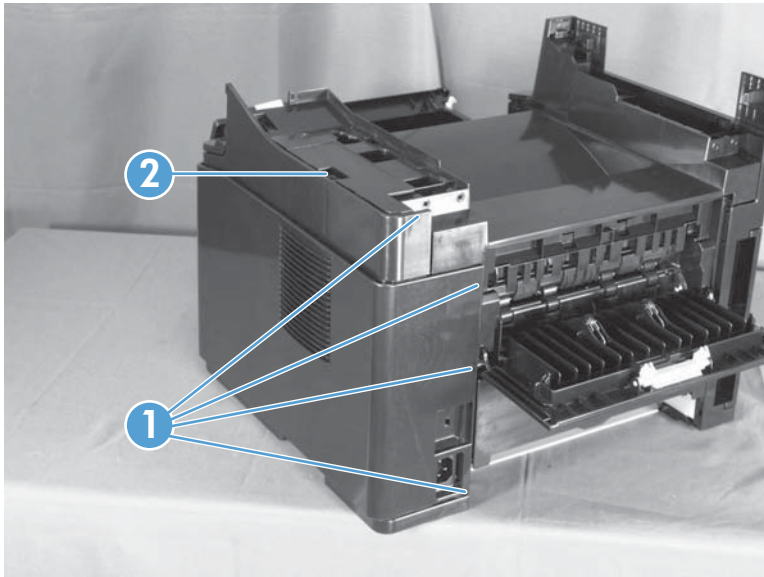




## Right cover

1. Remove the following components:
  - Tray 2 cassette
  - Left cover. See [Left cover on page 13](#).
  - Scanner assembly. See [Scanner assembly on page 13](#).
  - Control panel. See [Control panel on page 15](#).
2. Open the toner cartridge door and the rear jam access door.
3. Grasp the rear edge of the cover and pull that edge toward the rear to release the four tabs (callout 1) on the rear edge of the cover, and then use a small flat-blade screwdriver to release the tab (callout 2) at the top edge of the cover.

**Figure 1-22** Remove the right cover

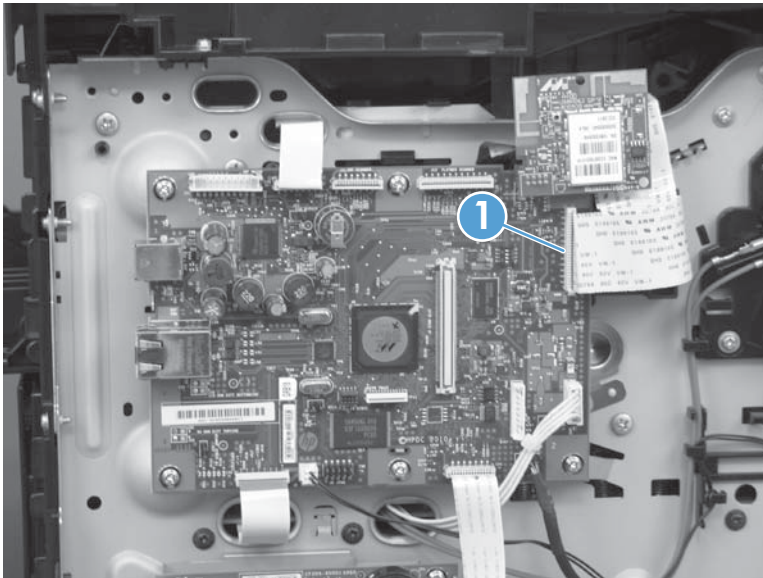


4. With the back and top edges loose, carefully slide the cover toward the front of the product, and then remove it.

## Top cover

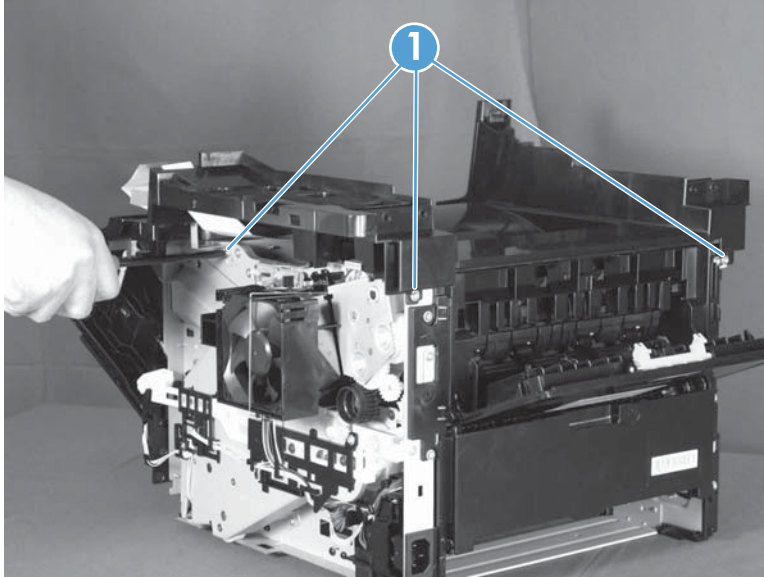
1. Remove the following components:
  - Tray 2 cassette
  - Left cover. See [Left cover on page 13](#).
  - Scanner assembly. See [Scanner assembly on page 13](#).
  - Control panel. See [Control panel on page 15](#).
  - Right cover. See [Right cover on page 17](#).
2. Open the toner cartridge door and the rear jam access door.
3. On the left side of the product, disconnect one flat, flexible cable (callout 1) from the formatter.

**Figure 1-23** Remove the top-cover assembly (1 of 3)



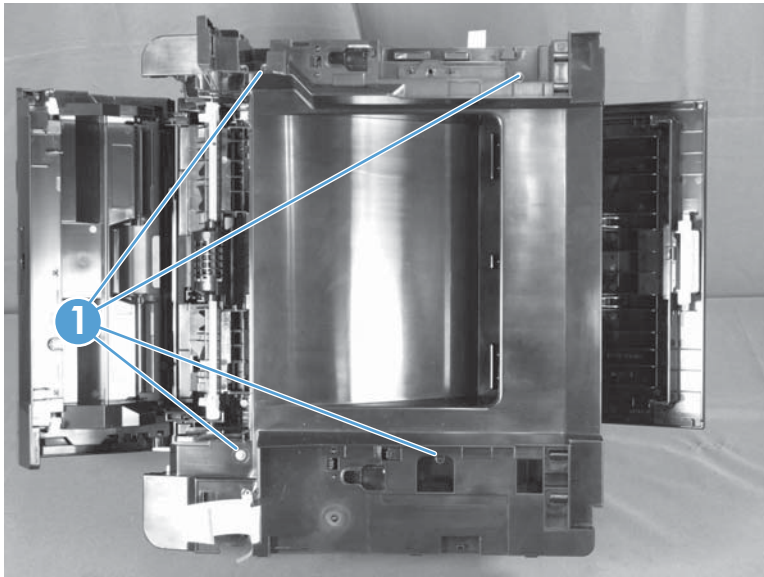
4. On the right side and the rear of the product, remove three screws (callout 1).

**Figure 1-24** Remove the top-cover assembly (2 of 3)



5. On the top-cover assembly, remove four screws (callout 1).

**Figure 1-25** Remove the top-cover assembly (3 of 3)



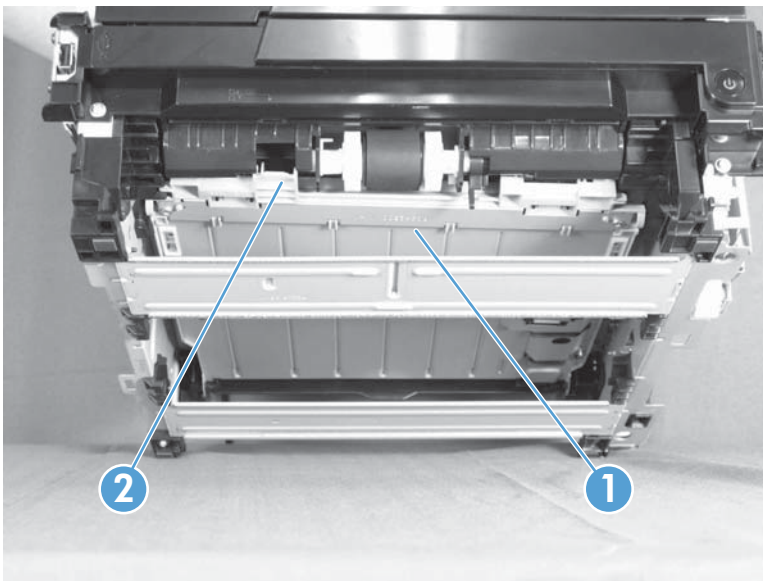
6. Lift the top-cover assembly off of the product to remove it.

## Rear cover, rear door, and feed assembly

**CAUTION:** The fuser can be hot while the product is in use. Wait for the fuser to cool before working in that area.

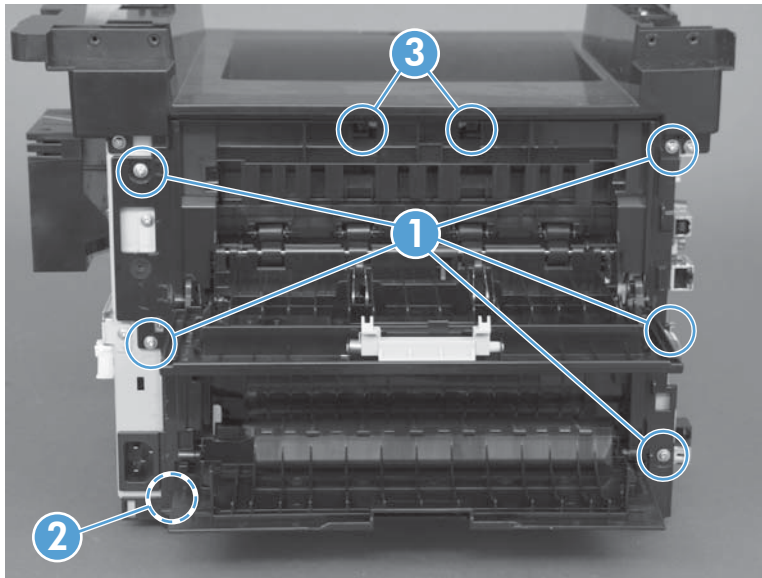
1. Remove the following components:
  - Tray 2 cassette
  - Left cover. See [Left cover on page 13](#).
  - Scanner assembly. See [Scanner assembly on page 13](#).
  - Control panel. See [Control panel on page 15](#).
  - Right cover. See [Right cover on page 17](#).
2. Open the toner cartridge door and the rear jam access door.
3. At the front of the product, in the Tray 2 cassette cavity, pull down on the green duplex-paper-feed-assembly release tab (callout 1), and then lower the assembly (callout 2).

**Figure 1-26** Remove the rear cover, rear door, and feed assembly (1 of 3)





4. At the rear of the product, remove five screws (callout 1), release one tab (callout 2) near the bottom corner, and release two tabs (callout 3) from under the top cover assembly.

**Figure 1-27** Remove the rear cover, rear door, and feed assembly (2 of 3)



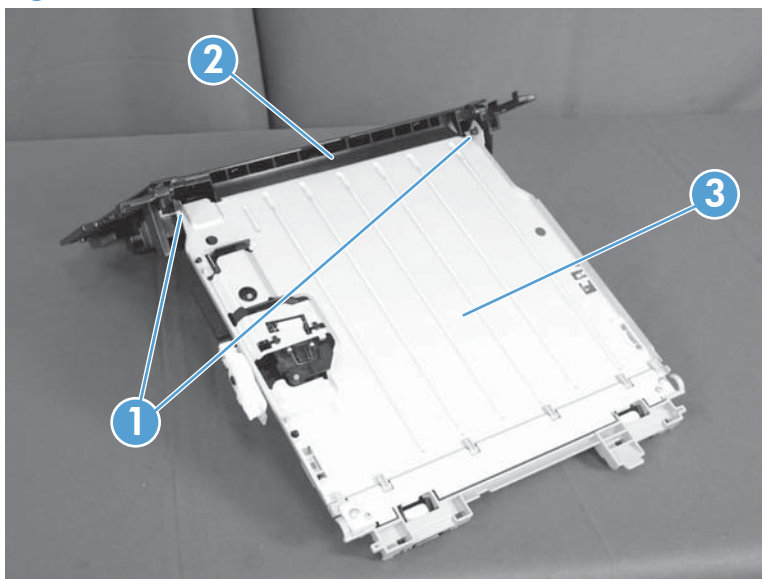
5. Carefully separate the rear cover and rear door from the product, and then remove them.

 **NOTE:** The duplex-paper-feed assembly is removed with the cover and door


 **Reinstallation tip** When you reinstall the rear cover assembly, open the rear door to make sure that the rear cover fits even against the product chassis before you install the mounting screws.

6. There are two hinge pins (callout 1). Release the shorter left pin first, and then separate the rear cover and rear door assembly (callout 2) from the duplex-paper-feed assembly (callout 3).


**Figure 1-28** Remove the rear cover, rear door, and feed assembly (3 of 3)



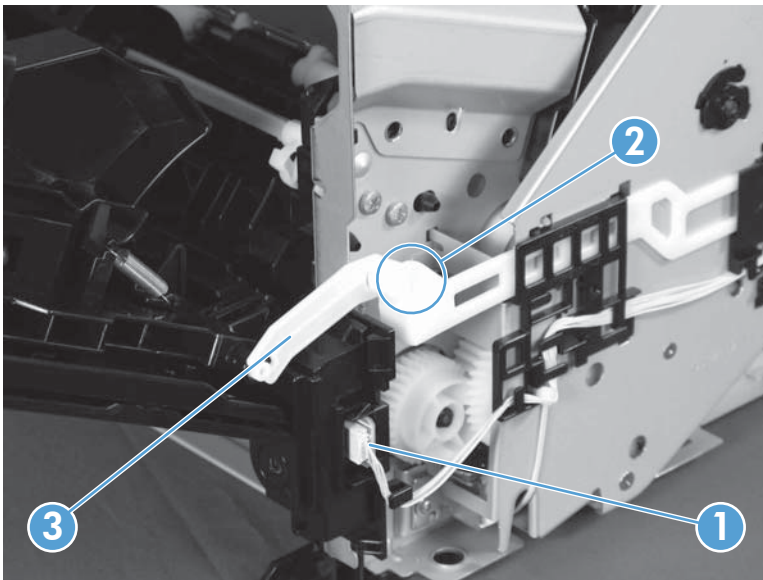
## Cartridge door and front cover assembly

 **NOTE:** The cartridge door assembly includes the cartridge door, Tray 1, and the front cover.

1. Remove the following components:
  - Tray 2 cassette
  - Left cover. See [Left cover on page 13](#).
  - Scanner assembly. See [Scanner assembly on page 13](#).
  - Control panel. See [Control panel on page 15](#).
  - Right cover. See [Right cover on page 17](#).
2. Open the toner cartridge door and the rear jam access door.
3. Disconnect one connector (callout 1), and then disengage the cartridge-door assembly link arm (callout 3) by releasing two tabs in the pivot joint (callout 2).

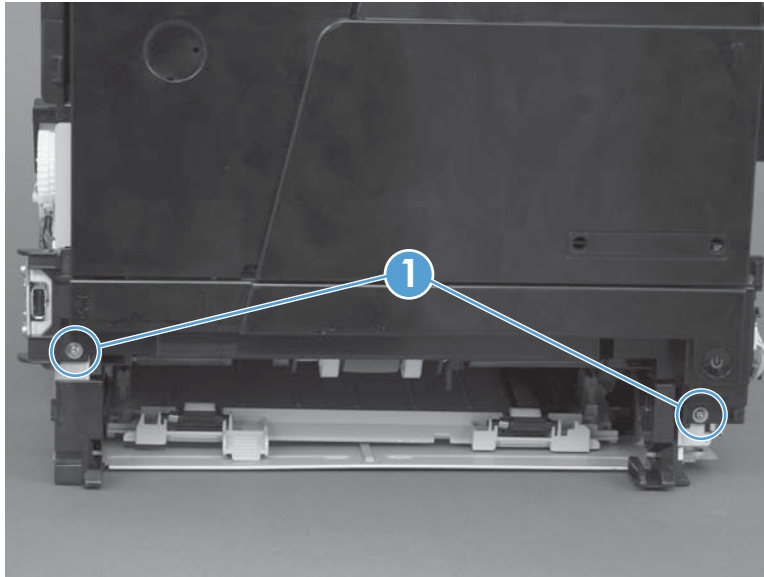
 **TIP:** The link arm releases the fuser-pressure lever when the cartridge door is opened.

**Figure 1-29** Remove the cartridge door assembly and front cover (1 of 4)



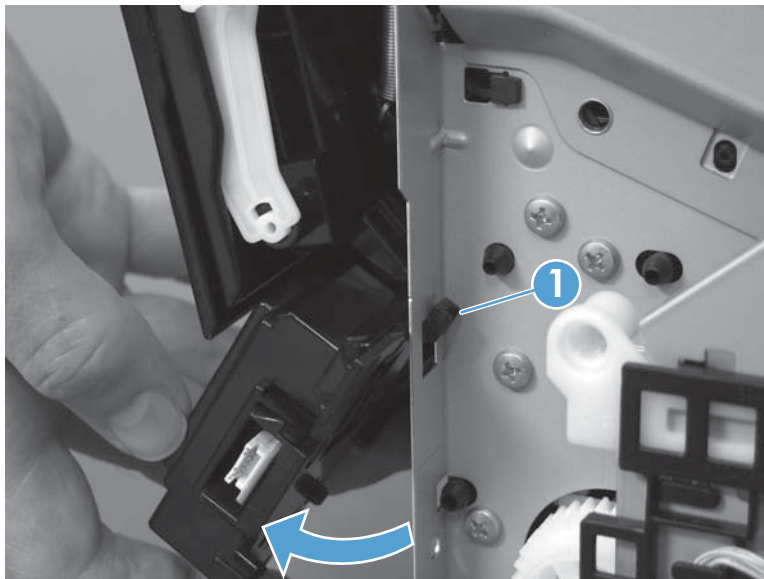
4. Remove two screws (callout 1).

**Figure 1-30** Remove the cartridge door assembly and front cover (2 of 4)



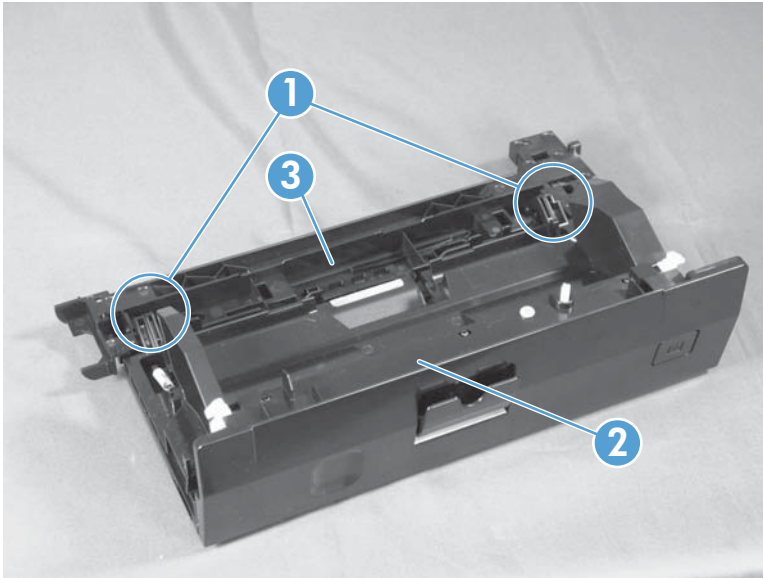
5. Pull the bottom of the assembly up in order to release two hooked tabs (callout 1), and then pull the assembly away from the product.

**Figure 1-31** Remove the cartridge door assembly and front cover (3 of 4)



6. Release two hinge pins (callout 1), and then separate the front cover (callout 2) from the cartridge door assembly (callout 3).

**Figure 1-32** Remove the cartridge door assembly and front cover (4 of 4)





## Main assemblies

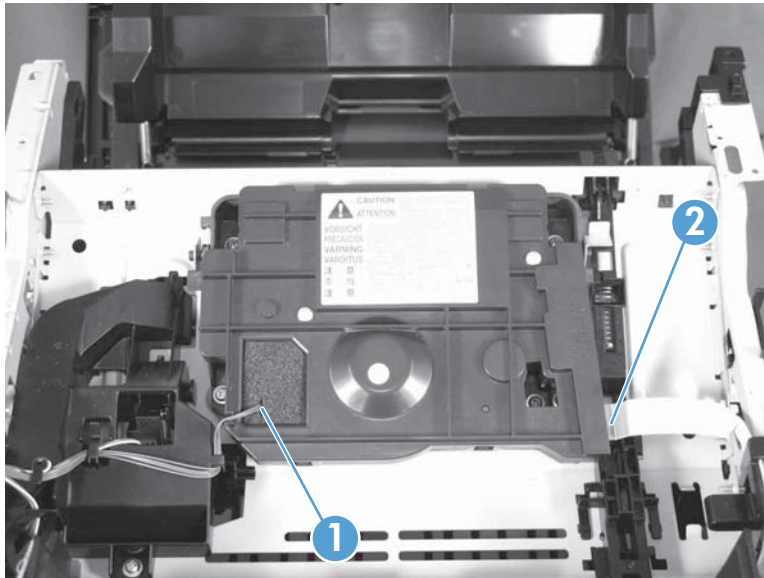
### Laser scanner assembly

**⚠ WARNING!**  ESD sensitive component.

**⚠ CAUTION:** Do not bend or fold the flat flexible cables (FFCs) during removal or installation. Also, do not straighten pre-folds in the FFCs. You *must* make sure that all FFCs are fully seated in their connectors. Failure to fully seat an FFC into a connector can cause a short circuit in a PCA.

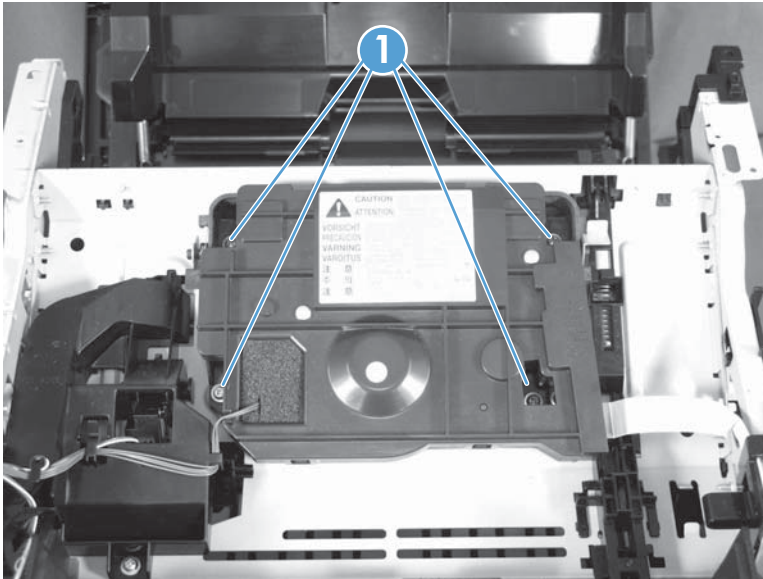
1. Remove the following components:
  - Tray 2 cassette
  - Left cover. See [Left cover on page 13](#).
  - Scanner assembly. See [Scanner assembly on page 13](#).
  - Control panel. See [Control panel on page 15](#).
  - Right cover. See [Right cover on page 17](#).
  - Top cover assembly. See [Top cover on page 18](#).
2. Open the toner cartridge door and the rear jam access door.
3. On the top of the product, remove the antistatic foam pad and disconnect one connector (callout 1), and then disconnect the flat cable (callout 2).

**Figure 1-33** Remove the laser scanner assembly (1 of 2)



4. Remove four screws (callout 1), and then remove the laser scanner assembly.

**Figure 1-34** Remove the laser scanner assembly (2 of 2)

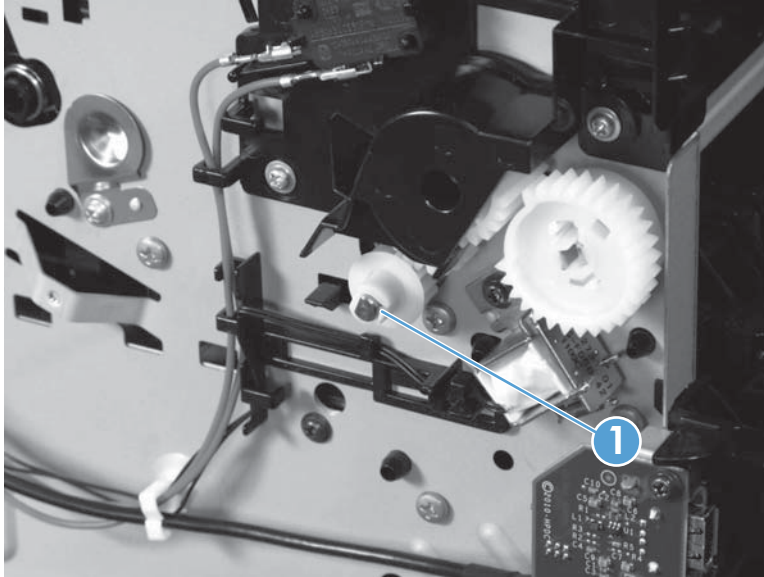


## Registration assembly

1. Remove the following components:
  - Tray 2 cassette
  - Left cover. See [Left cover on page 13](#).
  - Scanner assembly. See [Scanner assembly on page 13](#).
  - Control panel. See [Control panel on page 15](#).
  - Right cover. See [Right cover on page 17](#).
  - Rear cover, rear door, and feed assembly. See [Rear cover, rear door, and feed assembly on page 20](#).
  - Top cover assembly. See [Top cover on page 18](#).
2. Open the toner cartridge door and the rear jam access door.

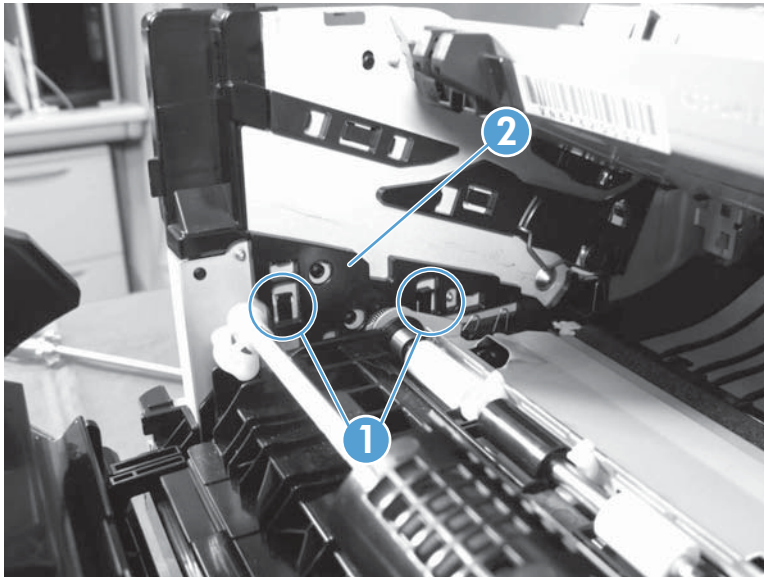
3. On the left side of the product, release one tab (callout 1), and then remove the gear.

**Figure 1-35** Remove the registration assembly (1 of 3)



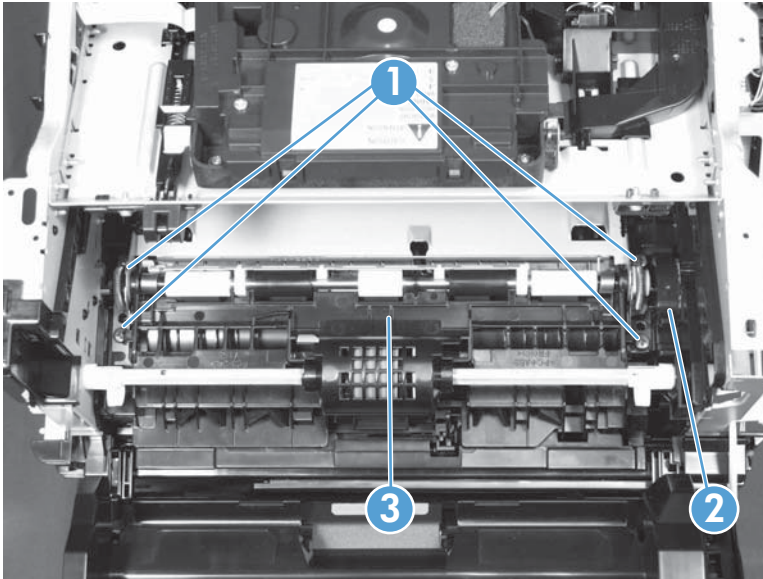
4. Inside the product chassis, on the formatter side, release two tabs (callout 1), and then lift up on the guide (callout 2) to release it and remove it from the product.

**Figure 1-36** Remove the registration assembly (2 of 3)




5. Remove four screws (callout 1), and then remove the gear cover (callout 2).

**Figure 1-37** Remove the registration assembly (3 of 3)




6. Slightly raise the right end of the assembly, and then slide it to the right and lift it up to release the assembly (callout 3) and remove it from the product.


---

 **Reinstallation tip** Insert the left end of the assembly first to reinstall the assembly.

---

## Fuser assembly and paper feed guide

 **CAUTION:** The fuser might be hot. Allow enough time for the fuser to cool after the product power is turned off.

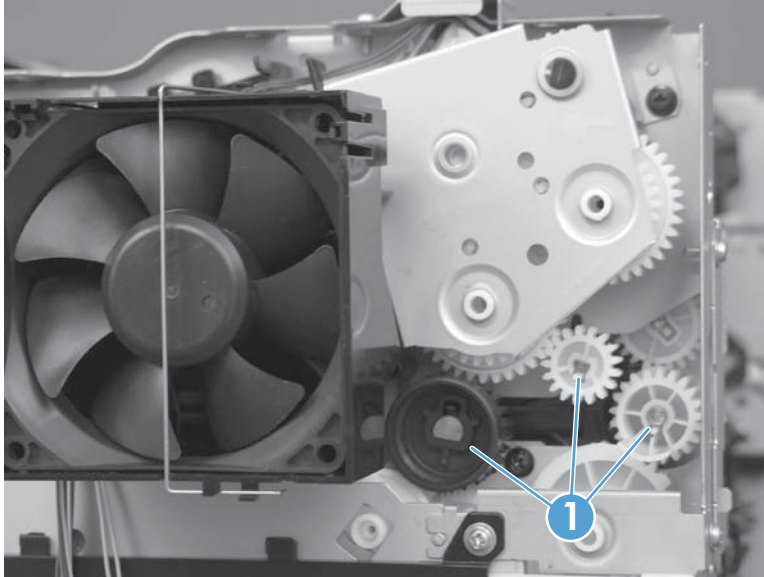
 **NOTE:** The toner cartridge door assembly should be in the closed position when the fuser is removed to make sure that the fuser-drive gear is correctly aligned for reinstallation.

---

1. Remove the following components:
  - Tray 2 cassette
  - Left cover. See [Left cover on page 13](#).
  - Scanner assembly. See [Scanner assembly on page 13](#).
  - Control panel. See [Control panel on page 15](#).
  - Right cover. See [Right cover on page 17](#).
  - Rear cover, rear door, and feed assembly. See [Rear cover, rear door, and feed assembly on page 20](#).
2. Open the rear jam access door

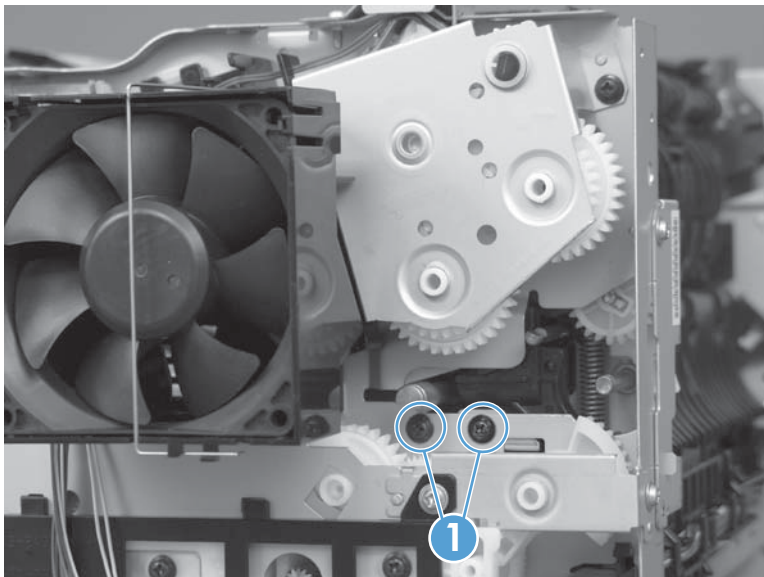
3. On the right side of the product, remove three gears (callout 1).

**Figure 1-38** Remove the fuser (1 of 5)



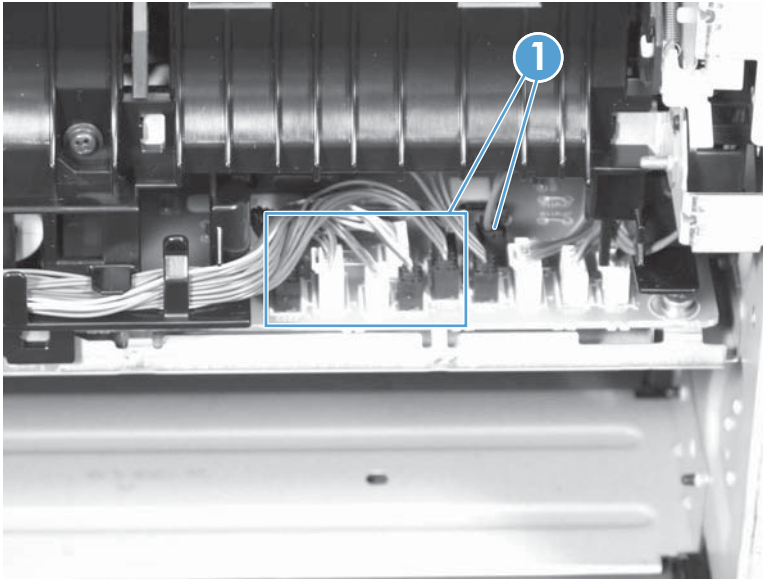
4. Remove two screws (callout 1).


**Figure 1-39** Remove the fuser (2 of 5)



5. At the rear of the product, disconnect six connectors (callout 1), and then pull the wire guide (callout 2) away from the product.

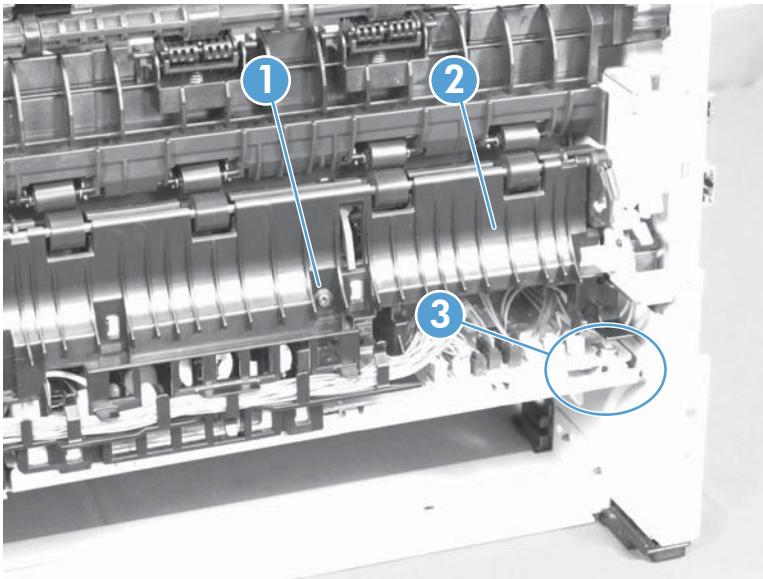
**Figure 1-40** Remove the fuser (3 of 5)



 **NOTE:** You do not need to unroute the disconnected wires from the wire guide.

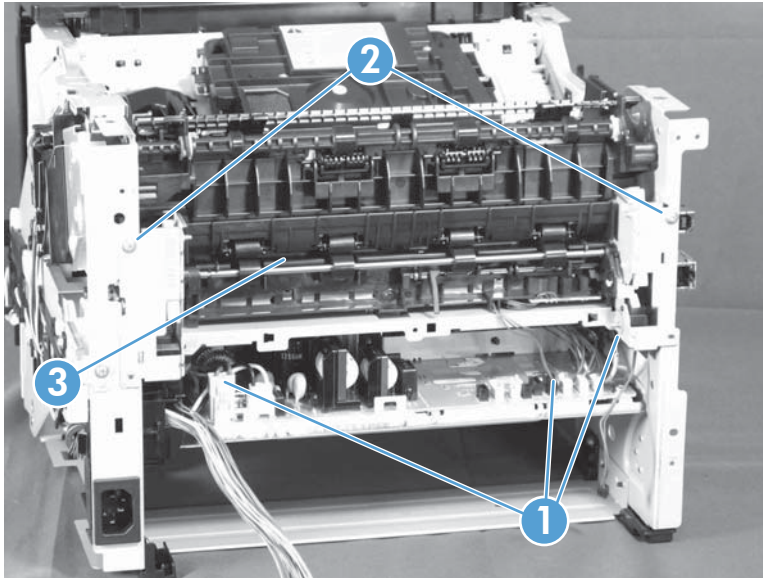
6. Remove one screw (callout 1), remove the media feed guide (callout 2), and unroute the wire (callout 3) at the corner of the engine controller assembly.

**Figure 1-41** Remove the fuser (4 of 5)



7. Disconnect three connectors (callout 1), remove two screws (callout 2), and then remove the fuser (callout 3).

**Figure 1-42** Remove the fuser (5 of 5)

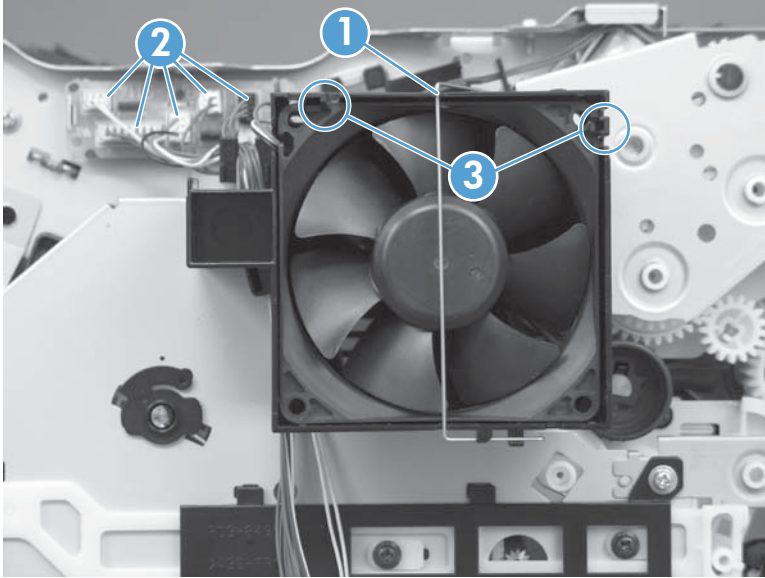


## Duplex drive assembly

1. Remove the following components:
  - Tray 2 cassette
  - Left cover. See [Left cover on page 13](#).
  - Scanner assembly. See [Scanner assembly on page 13](#).
  - Control panel. See [Control panel on page 15](#).
  - Right cover. See [Right cover on page 17](#).
  - Top cover assembly. See [Top cover on page 18](#).
2. Open the toner cartridge door and the rear jam access door.

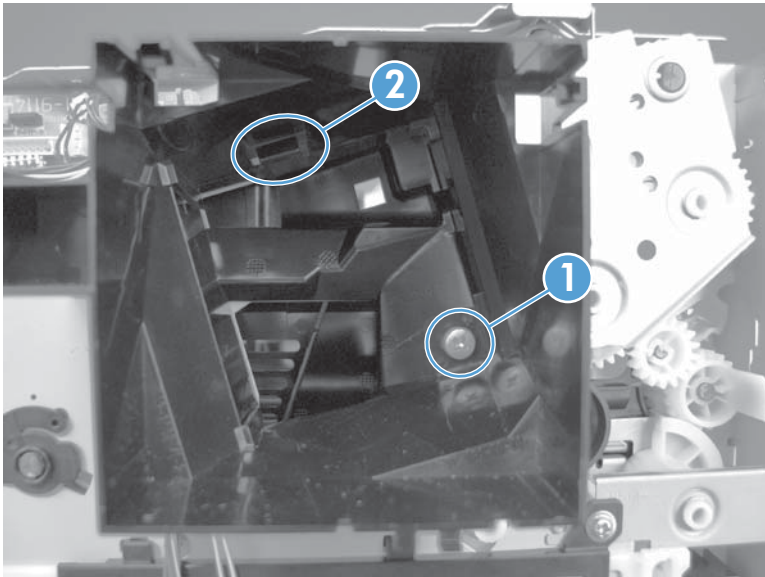
3. On the right side of the product, remove the grounding spring (callout 1), disconnect five connectors (callout 2) from the connecting PCA, release two tabs (callout 3), and then remove the fan from the holder.

**Figure 1-43** Remove the duplex drive assembly (1 of 4)



4. In the fan holder, remove one screw (callout 1), release one tab (callout 2), and then remove the holder from the product.

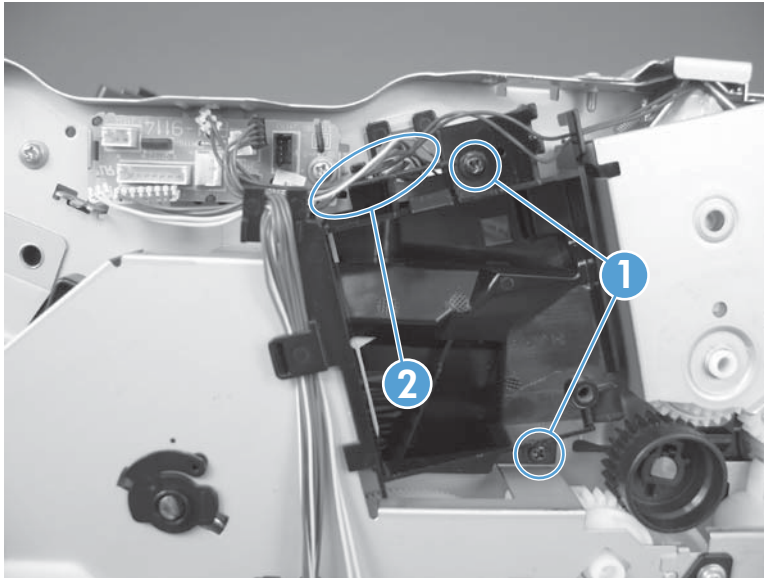
**Figure 1-44** Remove the duplex drive assembly (2 of 4)





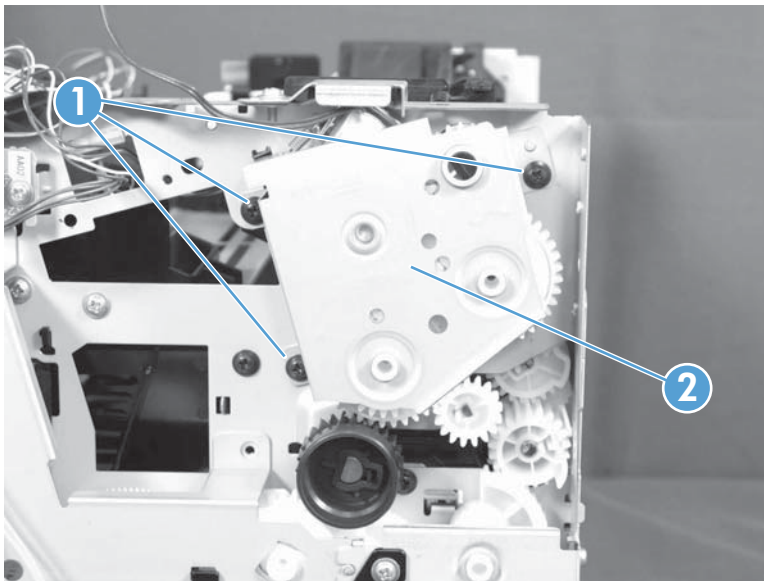
5. Remove two screws (callout 1), unroute the cables from the guides (callout 2), and then remove the fan cable guide.

**Figure 1-45** Remove the duplex drive assembly (3 of 4)



6. Remove three screws (callout 1), and then pull the drive assembly (callout 2) away from the product.

**Figure 1-46** Remove the duplex drive assembly (4 of 4)



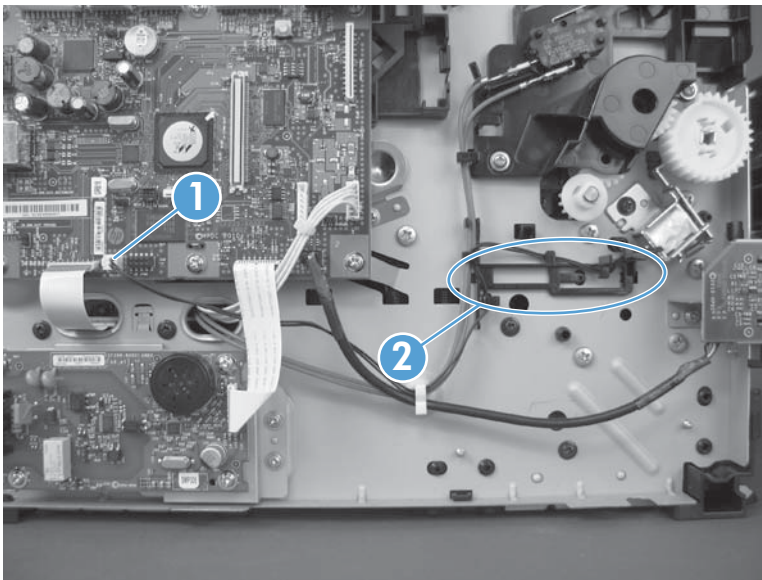
**CAUTION:** Some of the gears and the solenoid arm are not captive. Do not lose the gears or the arm when you remove the assembly.

# Solenoids

## Tray 1 solenoid

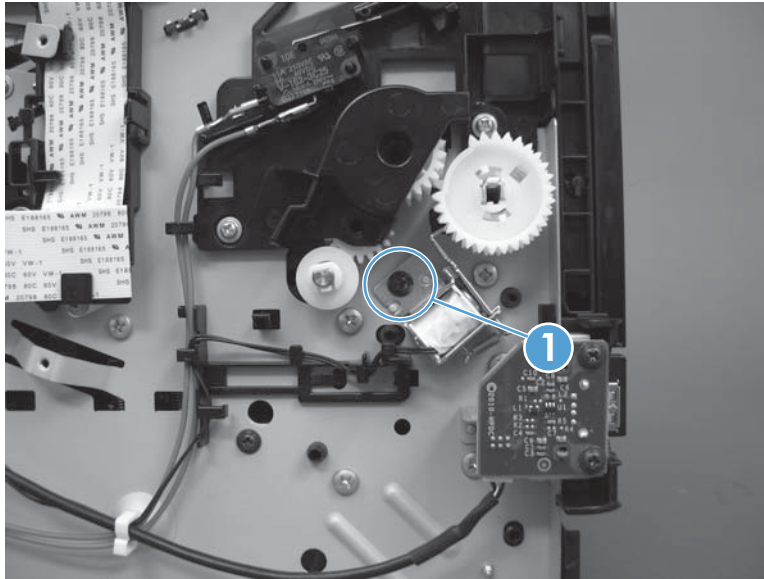
1. Remove the following components:
  - Tray 2 cassette
  - Left cover. See [Left cover on page 13](#).
2. Open the toner cartridge door and the rear jam access door.
3. On the left side of the product, disconnect one connector (callout 1), and then release the wires from the wire harness (callout 2).

**Figure 1-47** Remove the Tray 1 pickup solenoid (1 of 2)



4. Remove one screw (callout 1), and then remove the Tray 1 pickup solenoid.

**Figure 1-48** Remove the Tray 1 pickup solenoid (2 of 2)

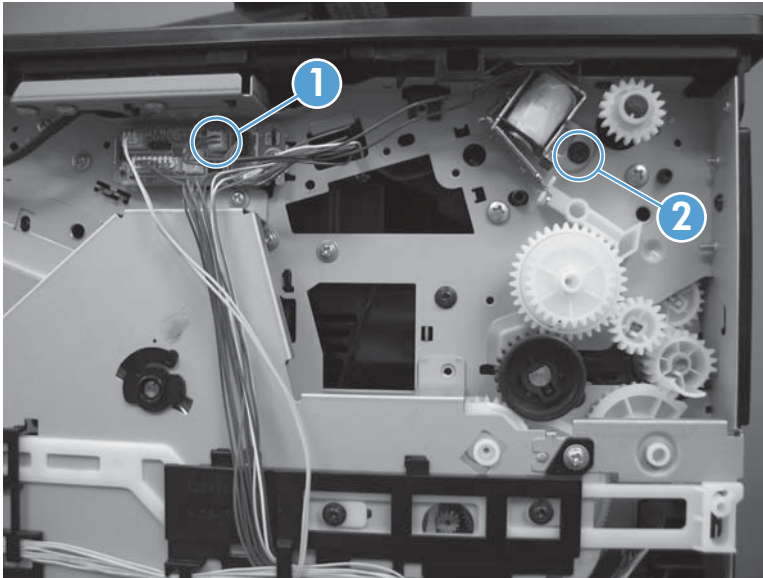


## Duplex solenoid

1. Remove the following components:
  - Tray 2 cassette
  - Left cover. See [Left cover on page 13](#).
  - Scanner assembly. See [Scanner assembly on page 13](#).
  - Control panel. See [Control panel on page 15](#).
  - Right cover. See [Right cover on page 17](#).
  - Rear cover, rear door, and duplex-paper-feed assembly. See [Rear cover, rear door, and feed assembly on page 20](#).
  - Top cover assembly. See [Top cover on page 18](#).
  - Fan. See [Fan on page 39](#).
  - Duplex drive assembly. See [Duplex drive assembly on page 31](#).
2. Open the toner cartridge door and the rear jam access door.

3. On the right side of the product, disconnect one connector (callout 1) from the connecting PCA, and then remove one screw (callout 2).

**Figure 1-49** Remove the duplex solenoid

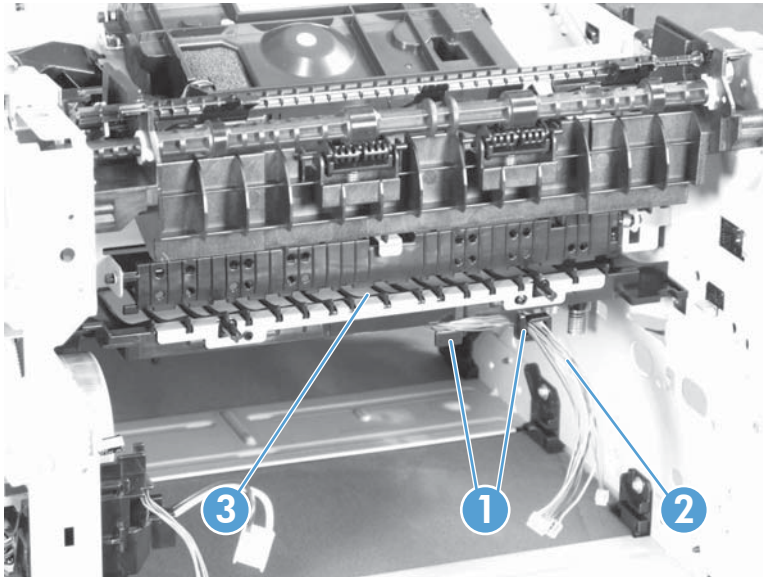


# Motors and fans

## Main motor

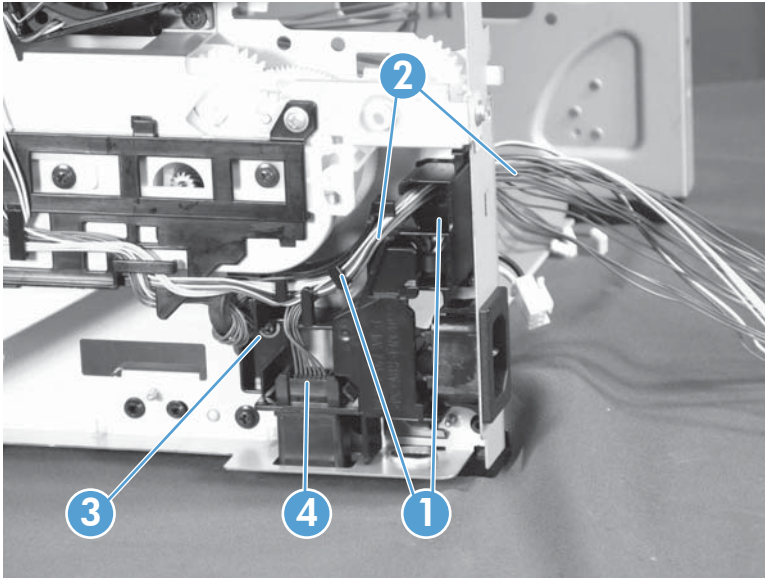
1. Remove the following components:
  - Tray 2 cassette
  - Left cover. See [Left cover on page 13](#).
  - Scanner assembly. See [Scanner assembly on page 13](#).
  - Control panel. See [Control panel on page 15](#).
  - Right cover. See [Right cover on page 17](#).
  - Rear cover, rear door, and duplex-paper-feed assembly. See [Rear cover, rear door, and feed assembly on page 20](#).
  - Top cover assembly. See [Top cover on page 18](#).
  - Fuser. See [Fuser assembly and paper feed guide on page 28](#).
  - Engine controller assembly. See [Engine controller assembly \(DC controller\) PCA on page 41](#).
2. Open the toner cartridge door and the rear jam access door.
3. At the rear of the product, release the cables (callout 1) from the cable guides (callout 2), and then pull out the paper feed assembly (callout 3).

**Figure 1-50** Remove the main motor (1 of 4)



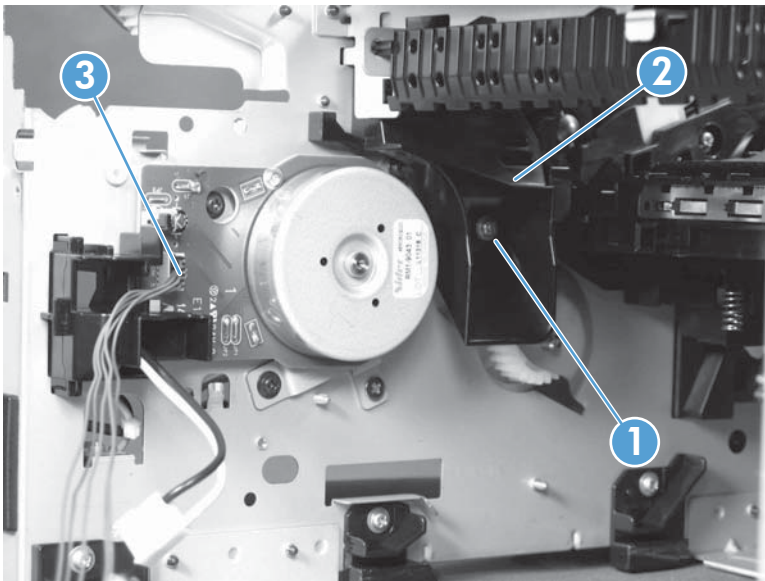
4. Release the cables (callout 1) from the cable guides (callout 2), remove one screw (callout 3), and then remove the cable guide (callout 4).

**Figure 1-51** Remove the main motor (2 of 4)



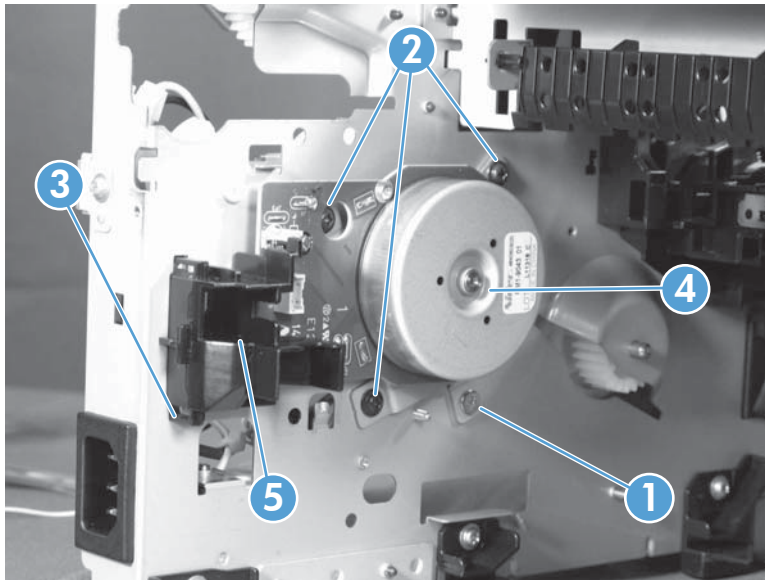
5. Remove one screw (callout 1), remove the duct (callout 2), and then disconnect one connector (callout 3).


**Figure 1-52** Remove the main motor (3 of 4)



6. Remove three black screws (callout 1) and one silver screw (callout 2), release two tabs (callout 3), and then remove the main motor (callout 4) and the cable guide (callout 5) together.

**Figure 1-53** Remove the main motor (4 of 4)



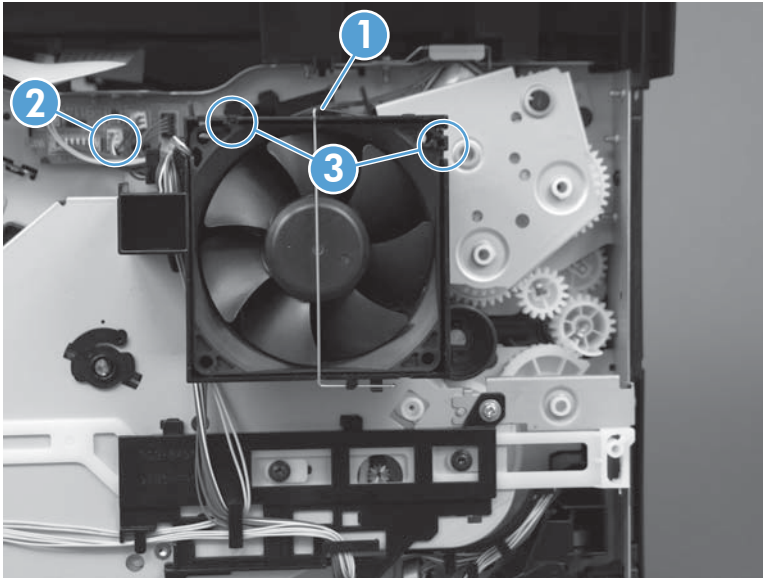
 **Reinstallation tip** Remember the location from where you removed the silver screw. The silver screw needs to be reinstalled in the same place.


## Fan

1. Remove the following components:
  - Tray 2 cassette
  - Left cover. See [Left cover on page 13](#).
  - Scanner assembly. See [Scanner assembly on page 13](#).
  - Control panel. See [Control panel on page 15](#).
  - Right cover. See [Right cover on page 17](#).
  - Top cover assembly. See [Top cover on page 18](#).
2. Open the toner cartridge door and the rear jam access door.

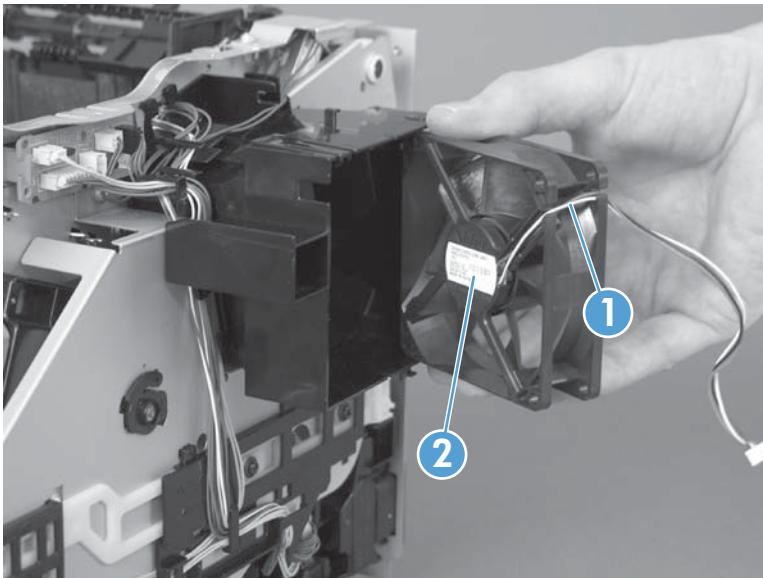
3. On the right side of the product, remove the grounding spring (callout 1), disconnect one connector (callout 2), release two tabs (callout 3), and then remove the main fan.

**Figure 1-54** Remove the fan (1 of 2)



 **Reinstallation tip** When reassembling the main fan to the duct, make sure that the fan cable (callout 1) is positioned as shown in the figure below. Also, make sure that the label (callout 2) on the fan is facing inside.

**Figure 1-55** Remove the fan (2 of 2)





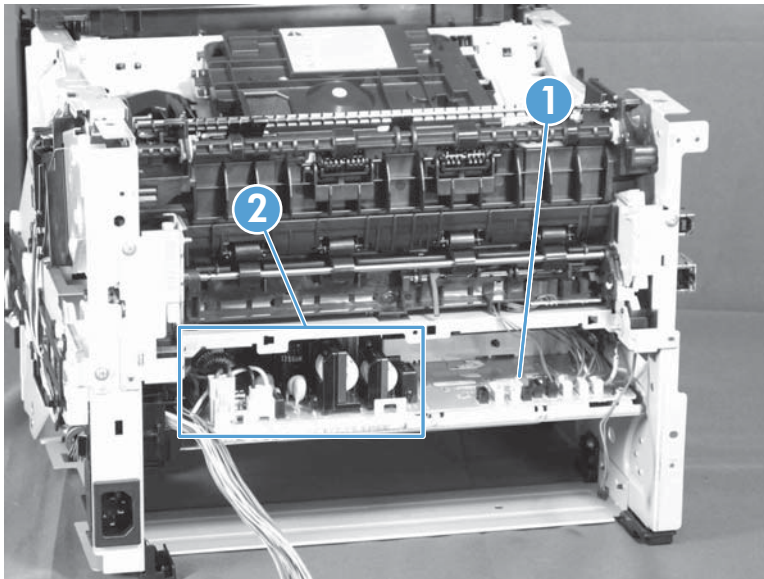
## Printed circuit-board assemblies (PCAs)

### Engine controller assembly (DC controller) PCA

**⚠ WARNING!**  ESD sensitive component.

**⚠ CAUTION:** When removing the engine controller assembly (callout 1) from the rear of the product, the portion (callout 2) on the left side of the assembly might be hot. Allow enough time for the engine controller assembly to cool after the product power is turned off.

**Figure 1-56** Allow the engine controller assembly to cool

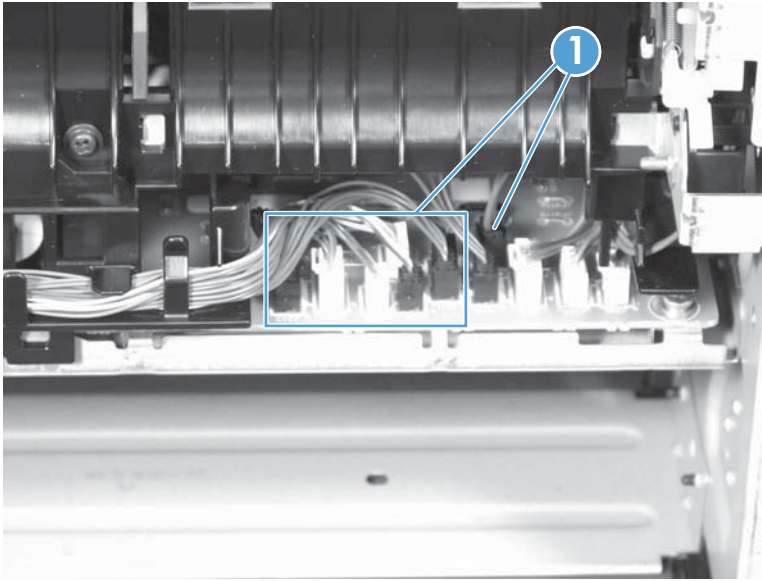


**1.** Remove the following components:

- Tray 2 cassette
- Left cover. See [Left cover on page 13](#).
- Scanner assembly. See [Scanner assembly on page 13](#).
- Control panel. See [Control panel on page 15](#).
- Right cover. See [Right cover on page 17](#).
- Rear cover, rear door, and feed assembly. See [Rear cover, rear door, and feed assembly on page 20](#).
- Top cover assembly. See [Top cover on page 18](#).

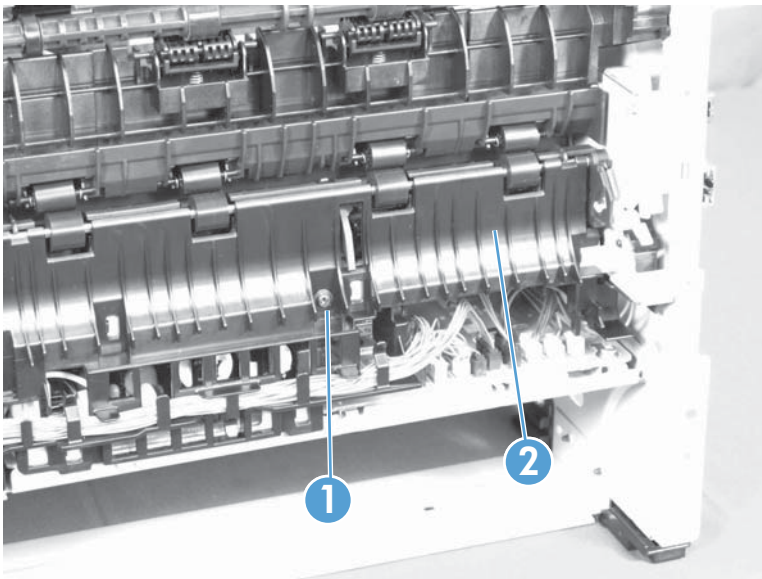
2. At the rear of the product, disconnect six connectors (callout 1).

**Figure 1-57** Remove the engine controller assembly (1 of 9)



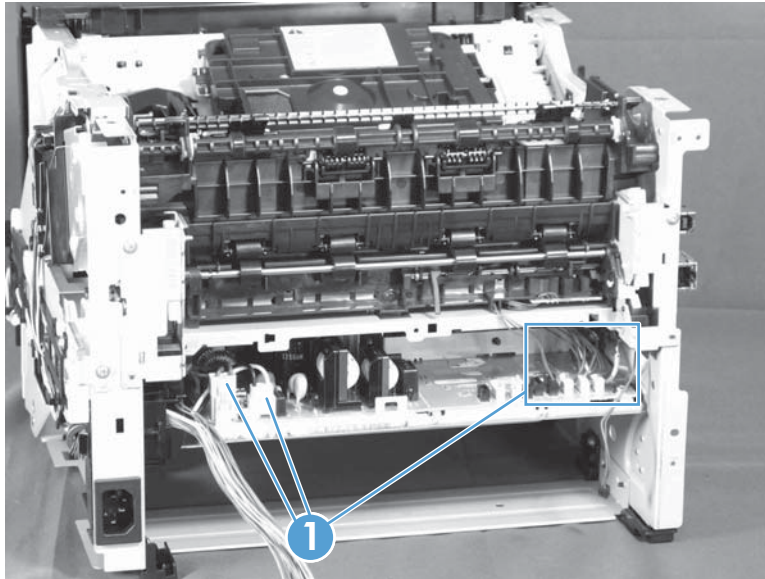
3. Remove one screw (callout 1), and then remove the paper feed guide (callout 2).

**Figure 1-58** Remove the engine controller assembly (2 of 9)



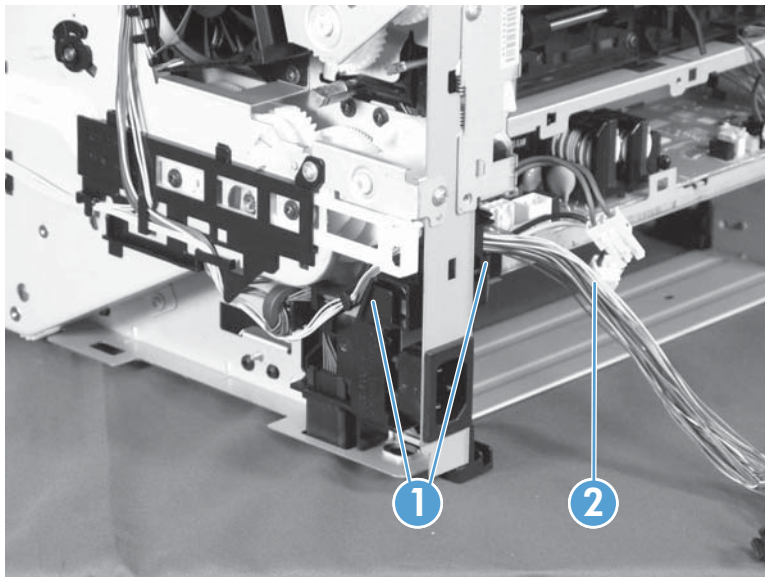
4. Disconnect seven connectors (callout 1).

**Figure 1-59** Remove the engine controller assembly (3 of 9)



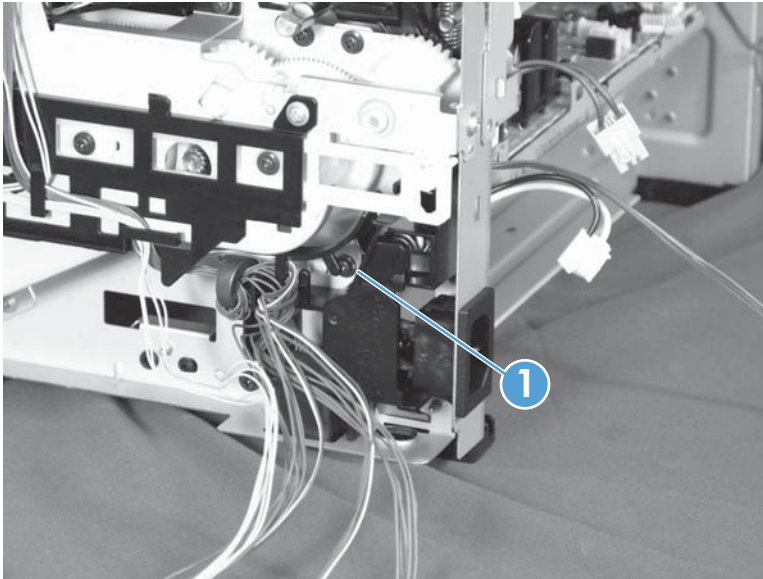
5. Release the cables (callout 1) from the cable guides (callout 2).

**Figure 1-60** Remove the engine controller assembly (4 of 9)




6. On the right side of the product, remove one screw (callout 1).

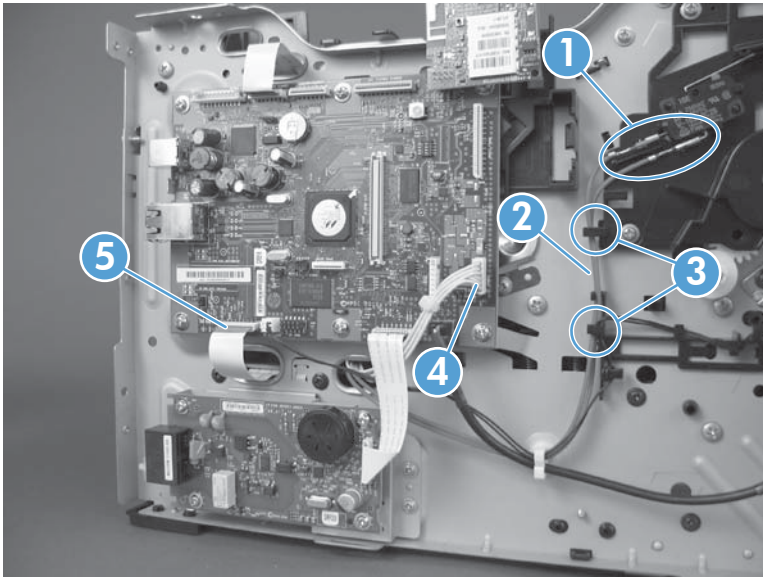
**Figure 1-61** Remove the engine controller assembly (5 of 9)



7. On the left side of the product, disconnect the two cartridge-door interlock switch connectors (callout 1), release the cables (callout 2) from the cable guide (callout 3), and then disconnect one connector (callout 4) and one flat cable (callout 5) on the formatter PCA.

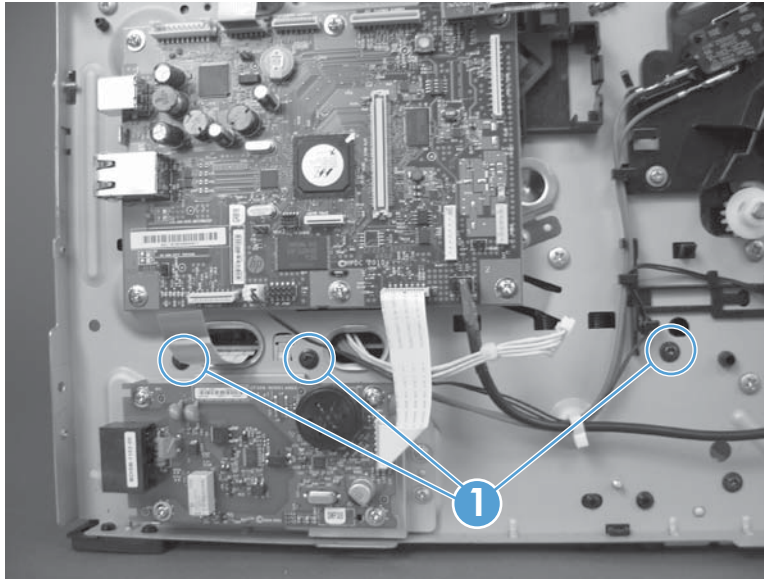
 **NOTE:** Place a mark on one of the cartridge-door interlock switch wires before you disconnect them, so that you can reconnect the connectors to the same switch lugs.

**Figure 1-62** Remove the engine controller assembly (6 of 9)





8. Remove three screws (callout 1).

**Figure 1-63** Remove the engine controller assembly (7 of 9)

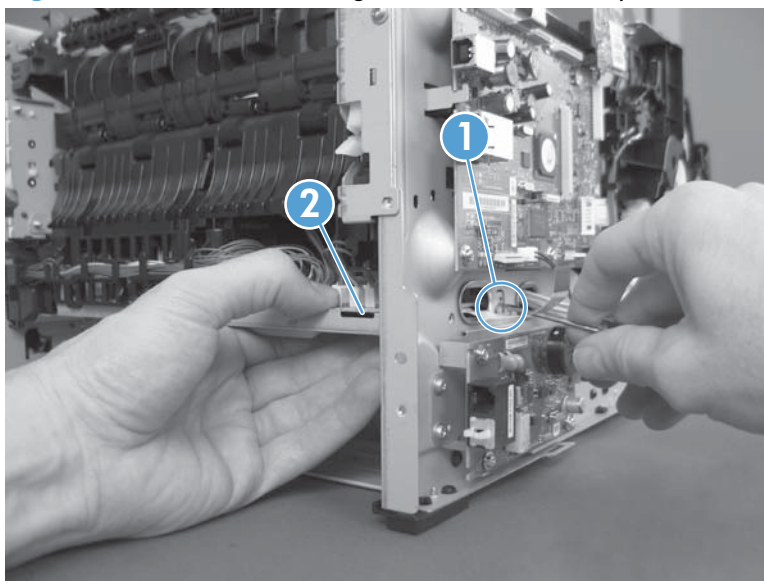


9. On both sides of the product, use a small flat blade screwdriver to release the sheet-metal tabs (callout 1) in the product chassis to lower the engine controller assembly PCA (callout 2).

 **NOTE:** It might be easier to release the right side tab from inside the chassis.

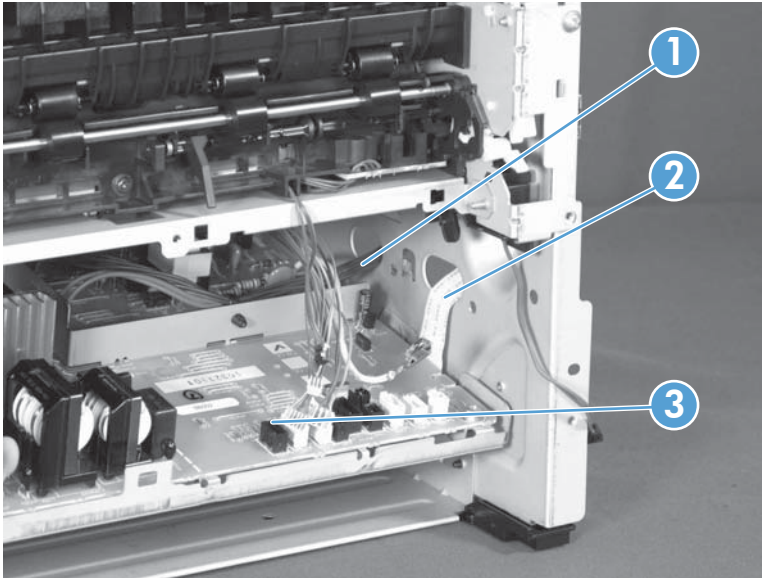
 **CAUTION:** Carefully push the tab toward the outside of the product to release it. Do not bend the tab so much that it will not engage the mounting bracket when the engine controller assembly is reinstalled.

**Figure 1-64** Remove the engine controller assembly (8 of 9)



10. Pull the cable (callout 1) and the flat cable (callout 2) into the product chassis, and then carefully slide the engine controller assembly (callout 3) out of the product.

**Figure 1-65** Remove the engine controller assembly (9 of 9)



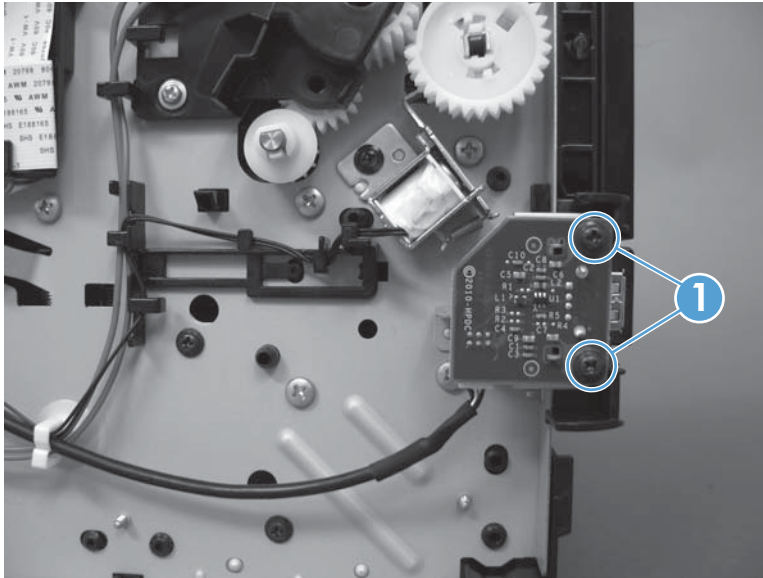
## Universal serial bus (USB) PCA

 **NOTE:** This section applies to walkup USB-equipped models only.

1. Remove the following components:
  - Tray 2 cassette
  - Left cover. See [Left cover on page 13](#).

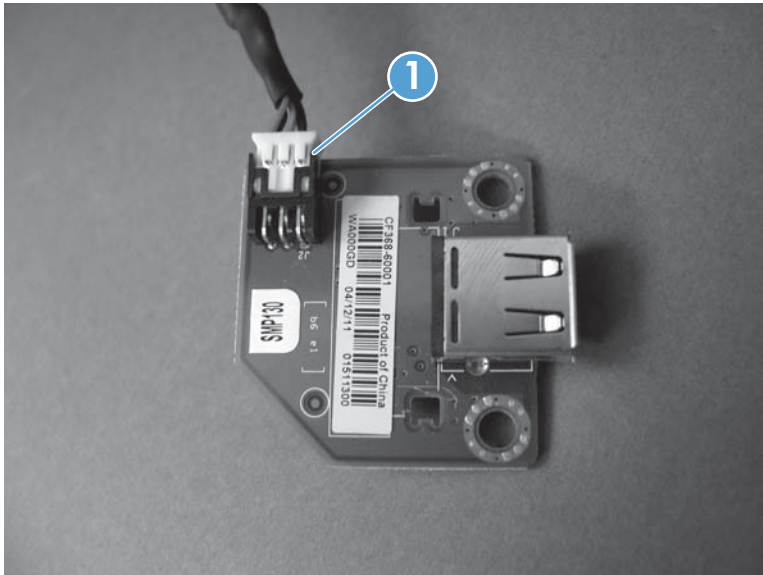
2. On the left side of the product, remove two screws (callout 1) on the USB PCA, and then pull the PCA away from the product.

**Figure 1-66** Remove the USB PCA (1 of 2)



3. Disconnect the connector (callout 1) on the back of the PCA.

**Figure 1-67** Remove the USB PCA (2 of 2)

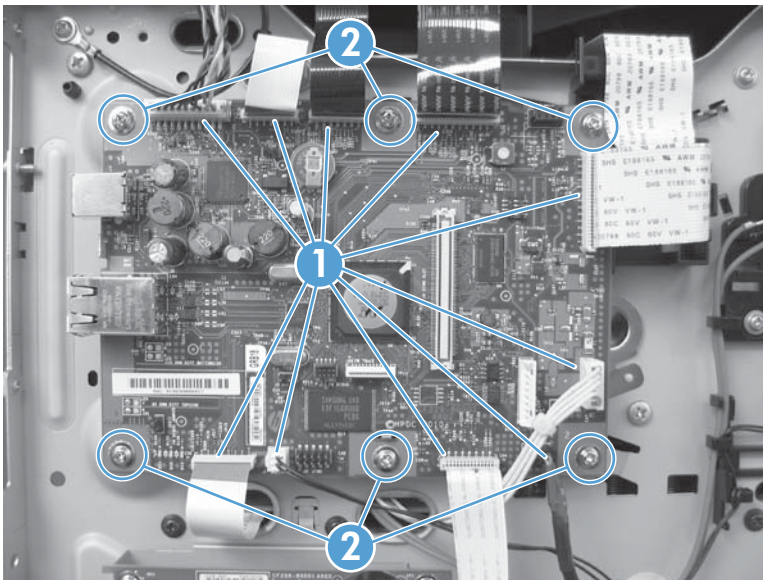


## Formatter PCA

**⚠ WARNING!**  ESD sensitive component.

1. Remove the following components:
  - Tray 2 cassette
  - Left cover. See [Left cover on page 13](#).
  - Wireless PCA (wireless models only). See [Wireless PCA on page 48](#).
2. On the left side of the product, disconnect any connectors and flat cables (callout 1) on the formatter, and then remove six screws (callout 2).

**Figure 1-68** Remove the formatter



## Wireless PCA

**📝 NOTE:** This section applies to wireless models only.

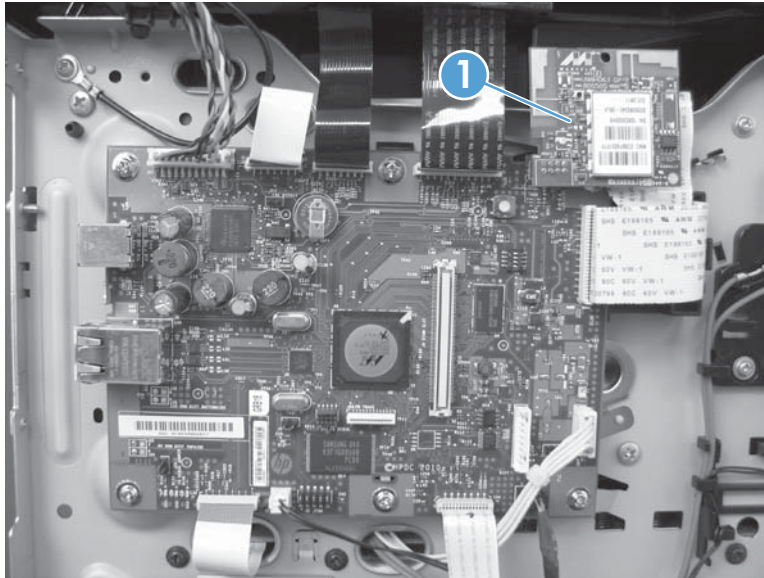
The wireless PCA is located at the top of the formatter PCA.

1. Remove the following components:
  - Tray 2 cassette
  - Left cover. See [Left cover on page 13](#).



2. On the left side of the product, pull the lower left-hand corner of the PCA (callout 1) to disconnect the connector on the back of the PCA, and then pull the PCA away from the product.

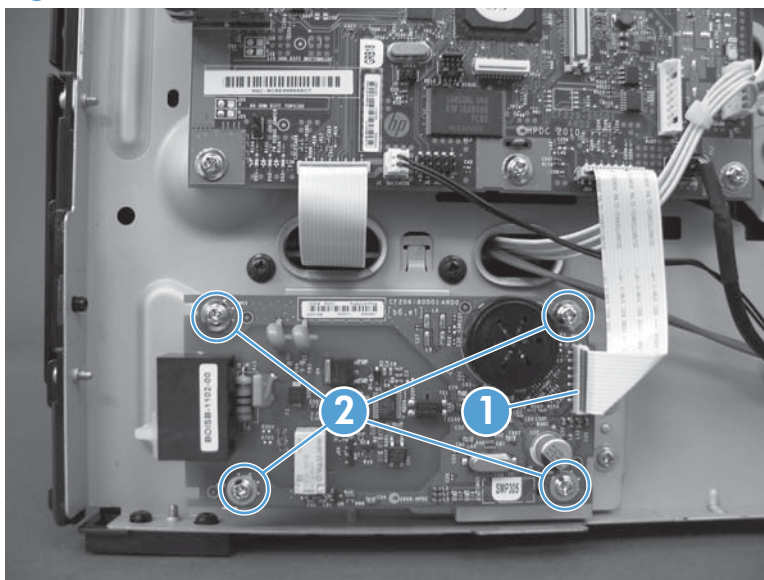
**Figure 1-69** Remove the wireless PCA



## Fax PCA

1. Remove the following components:
  - Tray 2 cassette
  - Left cover. See [Left cover on page 13](#).
2. Disconnect one flat flexible cable (callout 1) from the fax PCA, and then remove four screws (callout 2) to remove the PCA from the product.

**Figure 1-70** Remove the fax PCA

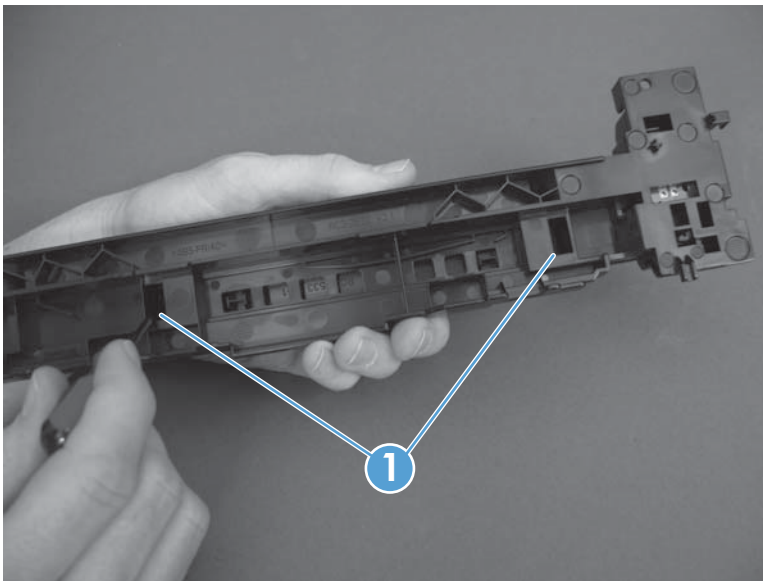


## Power switch PCA

The power switch PCA is located in the product front cover.

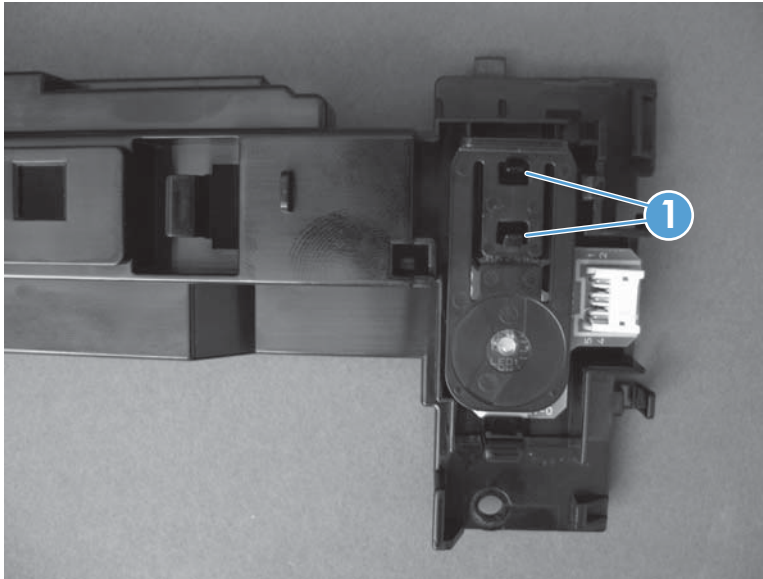
1. Remove the following components:
  - Tray 2 cassette
  - Left cover. See [Left cover on page 13](#).
  - Scanner assembly. See [Scanner assembly on page 13](#).
  - Control panel. See [Control panel on page 15](#).
  - Right cover. See [Right cover on page 17](#).
  - Cartridge door and front cover assembly. See [Cartridge door and front cover assembly on page 22](#).
2. On the back of the front cover, use a small flat-blade screwdriver to release two tabs (callout 1) to separate the two pieces of the cover.

**Figure 1-71** Remove the power-switch PCA (1 of 3)



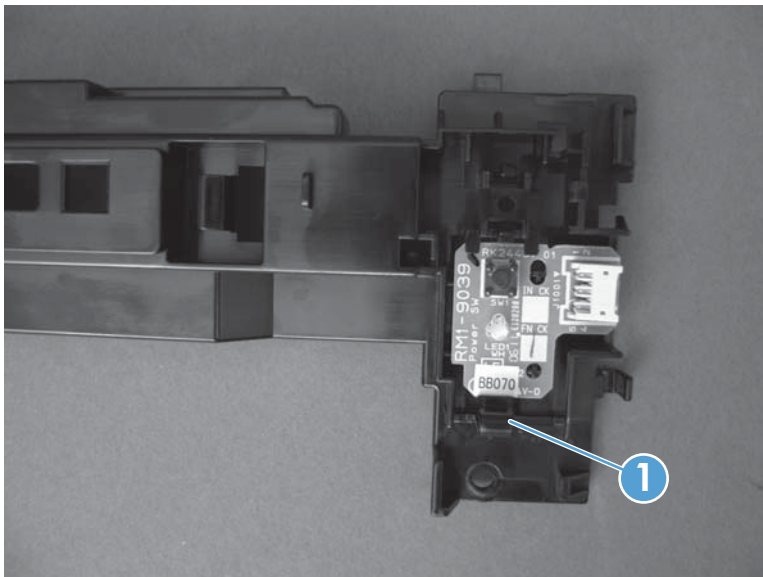
3. Release two tabs (callout 1) to remove the PCA shield.

**Figure 1-72** Remove the power-switch PCA (2 of 3)



4. Release one tab (callout 1), and then pull the PCA out of the front cover.

**Figure 1-73** Remove the power-switch PCA (3 of 3)



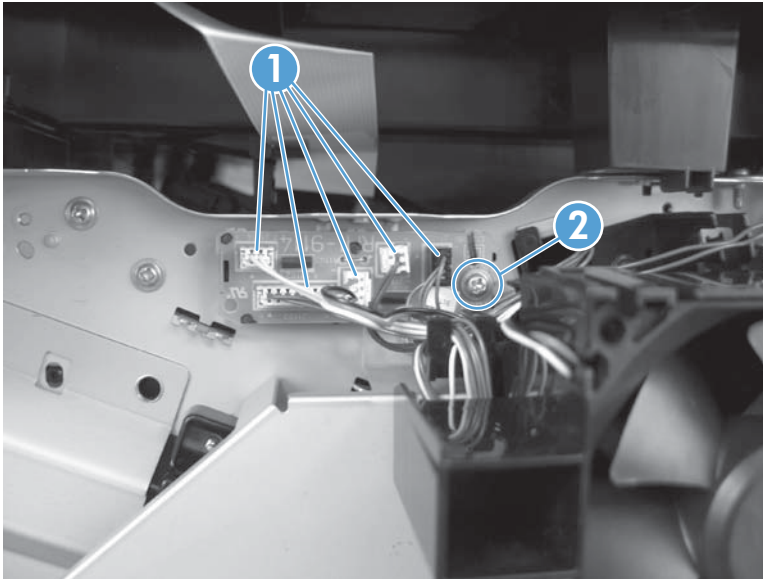
## Connecting PCA

The connecting PCA is located on the product right side, below the control panel.

1. Remove the following components:
  - Tray 2 cassette
  - Left cover. See [Left cover on page 13](#).

- Scanner assembly. See [Scanner assembly on page 13](#).
  - Control panel. See [Control panel on page 15](#).
  - Right cover. See [Right cover on page 17](#).
2. On the right side of the product, disconnect any connectors (callout 1) on the PCA, remove one screw (callout 2), and then remove the connecting PCA.

**Figure 1-74** Remove the connecting PCA



## Miscellaneous parts

### Transfer roller

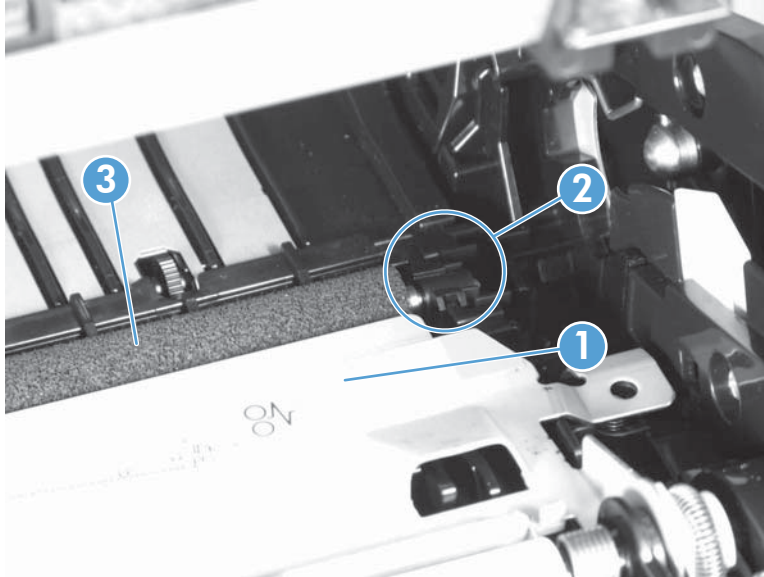
**CAUTION:** Do not touch the sponge surface of the roller unless you are replacing the roller. Skin oils on the roller can cause print-quality problems.

Always wear latex gloves when handling a transfer roller for reinstallation or replacement.

1. Open the toner cartridge door, and then remove the toner cartridge.

2. In the toner cartridge cavity, pull the sheet-metal jam plate toward the Tray 1 pickup roller cover (callout 1) and hold it, release the two tabs of the black locking clip on the right-side bushing (callout 2), pull the bushing up, and then slide the transfer roller (callout 3) to the right and remove it.

**Figure 1-75** Remove the transfer roller



**CAUTION:** The black locking clip on the right side of the transfer-roller shaft is not captive. Do not lose the locking clip when you remove the transfer roller.

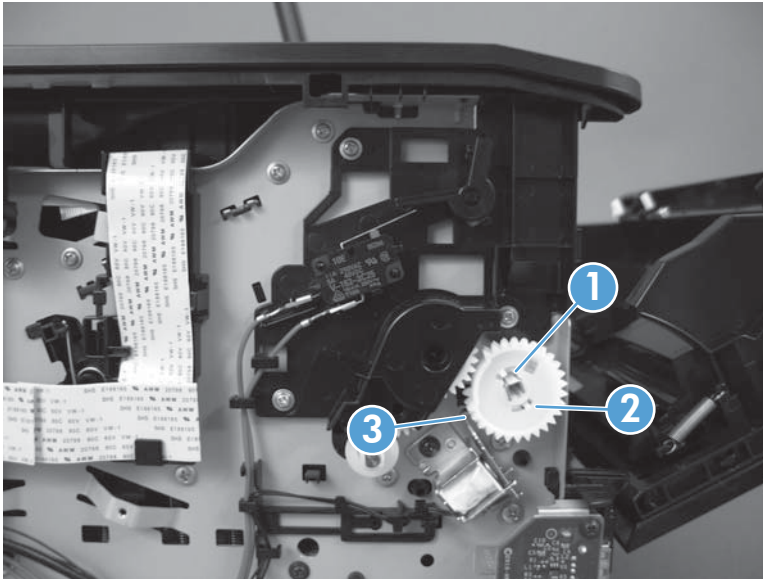
## Multipurpose (MP) tray pickup gear assembly


**NOTE:** The multipurpose tray is referred to as Tray 1 in user documentation.

1. Remove the following components.
  - Tray 2 cassette
  - Left cover. See [Left cover on page 13](#).

2. On the left side of the product, release the tab (callout 1) at the center of the gear, and then remove the gear (callout 2).

**Figure 1-76** Remove the paper-pickup-gear assembly



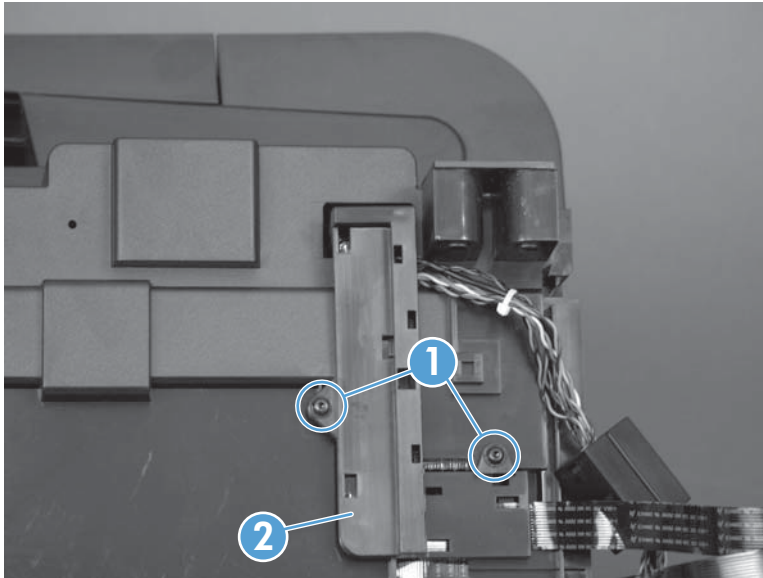
 **Reinstallation tip** Press and hold back the gear arm (callout 3) when reinstalling the pickup gear.

## Document feeder assembly

1. Remove the following components:
  - Tray 2 cassette
  - Left cover. See [Left cover on page 13](#).
  - Scanner assembly. See [Scanner assembly on page 13](#).

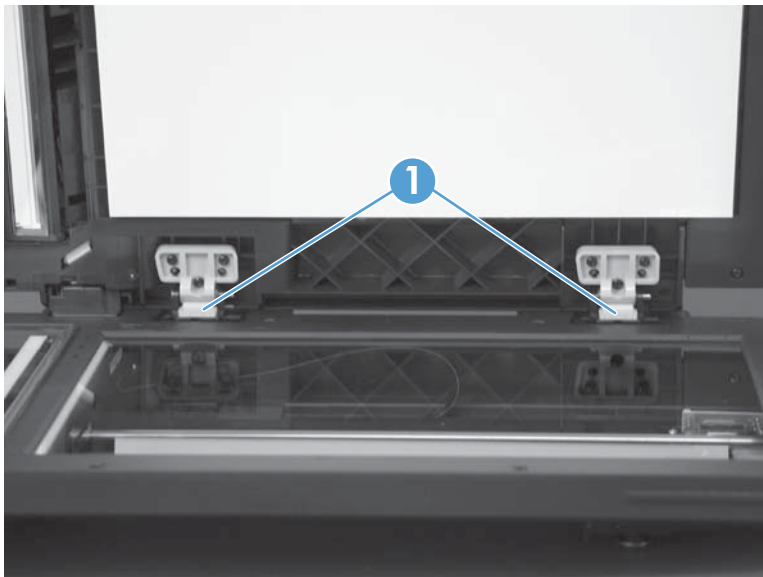
2. On the underside of the scanner assembly, remove two T-8 torx screws (callout 1), and then remove the cable cover (callout 2).

**Figure 1-77** Remove the document feeder (1 of 2)



3. Thread the cables back up through the scanner bed, and then use a small flat-blade screwdriver to release the tabs (callout 1) at the front of the document feeder assembly hinges to remove the assembly from the scanner bed.

**Figure 1-78** Remove the document feeder (2 of 2)



## Optional paper feeder (Tray 3)

When replacing any parts on the optional paper feeder (Tray 3), remove the tray cassette before removing any other parts.

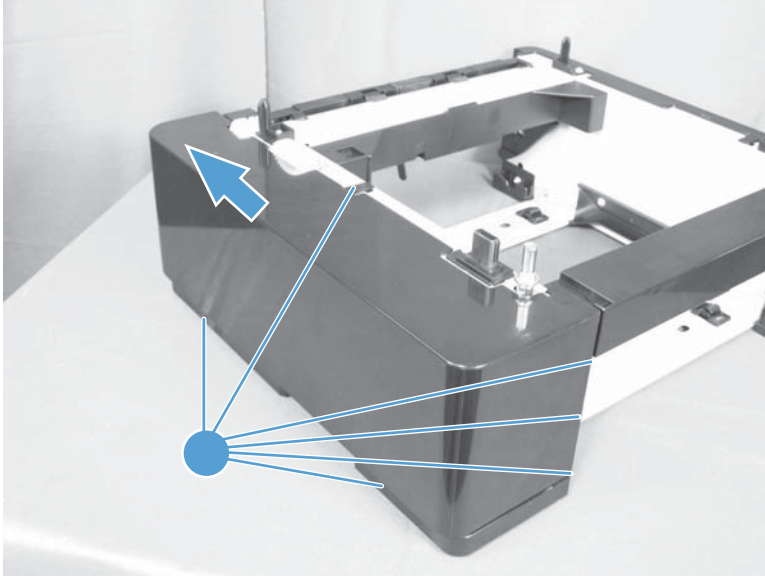


**NOTE:** To view the procedures for removing the optional paper feeder pickup roller or separation pad, see [Rollers on page 6](#).

## Optional paper feeder right cover

- ▲ Starting at the back of the unit, release six tabs (callout 1), and then slide the right cover toward the front of the unit to remove it.

**Figure 1-79** Remove the optional paper feeder right cover



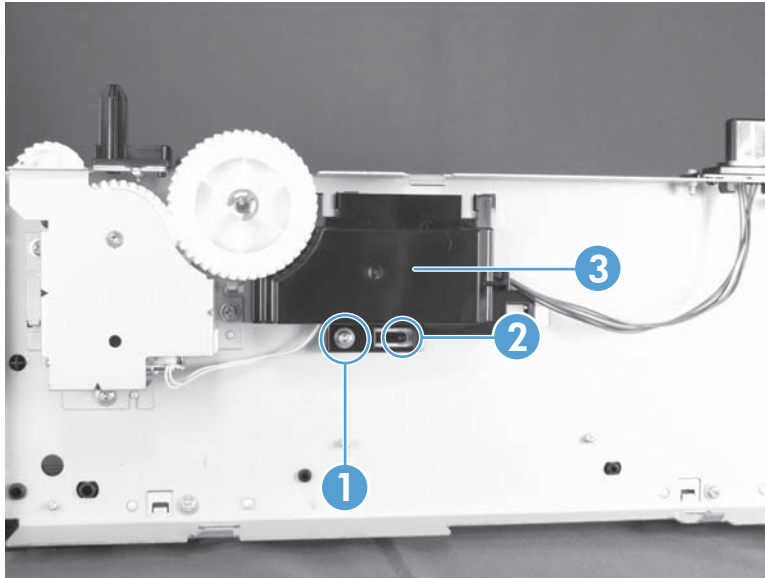
## Optional paper feeder driver PCA

1. Remove the right cover.



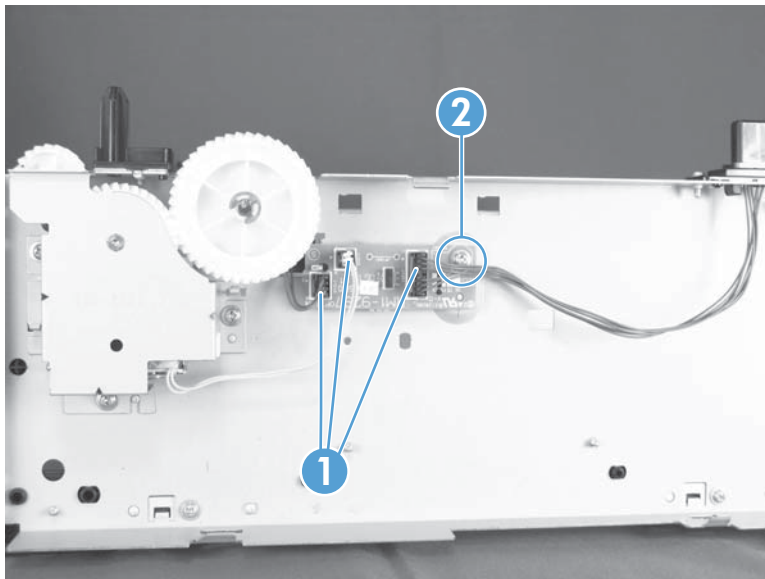
2. On the right side of the unit, remove one screw (callout 1), release one tab (callout 2) from the driver PCA cover (callout 3), and then slide the PCA cover to the right to remove it.

**Figure 1-80** Remove the optional paper feeder driver PCA (1 of 2)



3. Disconnect three connectors (callout 1), and then remove one screw (callout 2) to remove the driver PCA.

**Figure 1-81** Remove the optional paper feeder driver PCA (2 of 2)

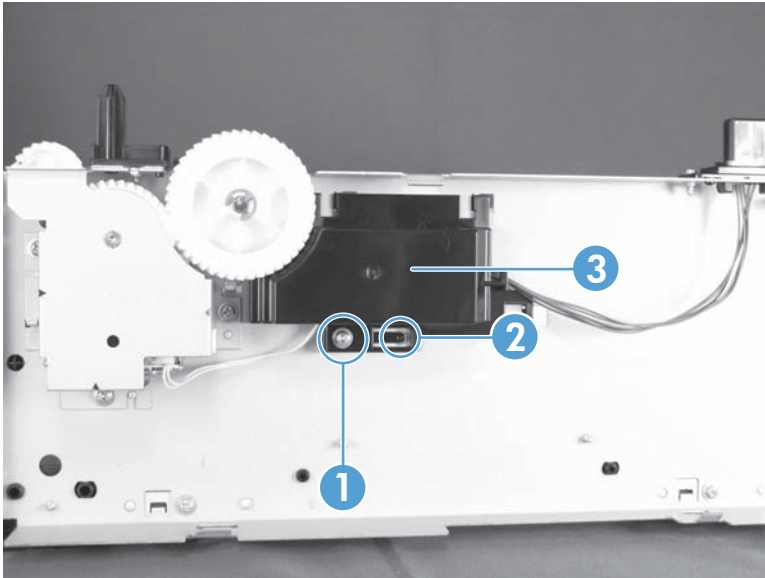


## Optional paper feeder paper sensor PCA

1. Remove the right cover.

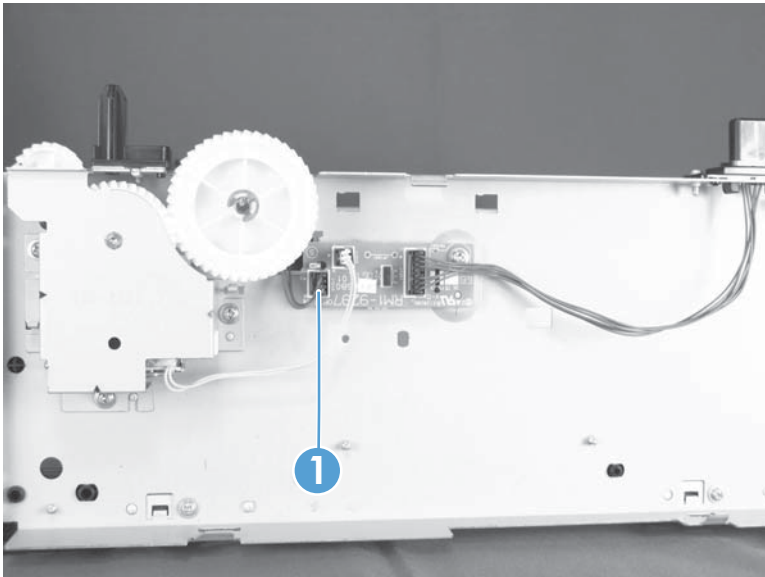
2. On the right side of the unit, remove one screw (callout 1), release one tab (callout 2) from the driver PCA cover (callout 3), and then slide the PCA cover to the right to remove it.

**Figure 1-82** Remove the optional paper feeder paper sensor PCA (1 of 3)



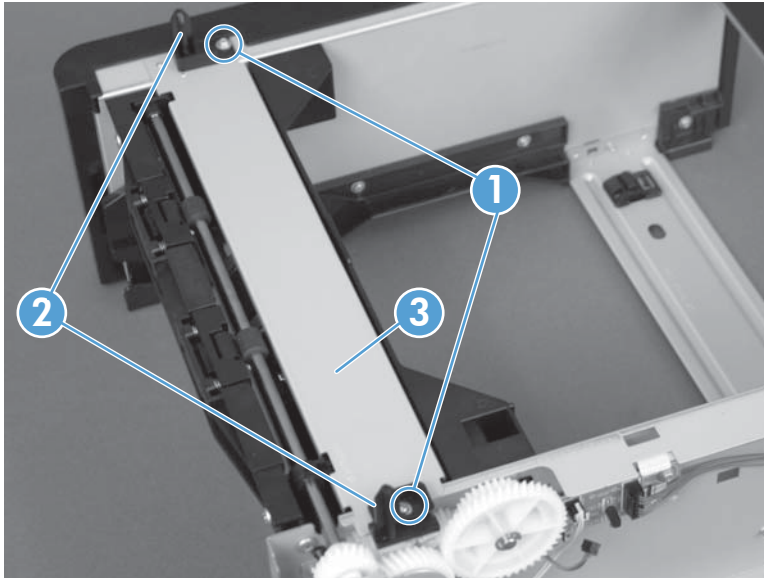
3. On the driver PCA, disconnect one connector (callout 1).

**Figure 1-83** Remove the optional paper feeder paper sensor PCA (2 of 4)



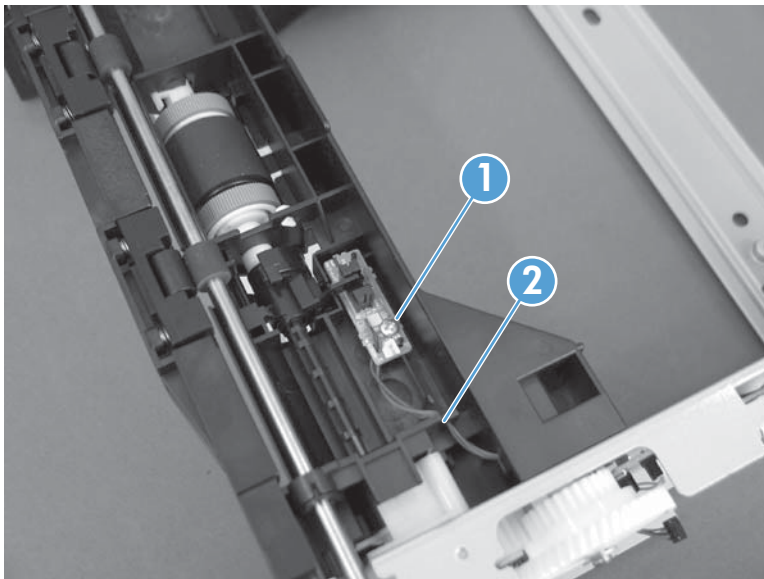
4. At the front of the paper feeder, remove two screws (callout 1), remove the two plastic posts (callout 2), and then lift the metal cover (callout 3) off the paper feeder.

**Figure 1-84** Remove the optional paper feeder paper sensor PCA (3 of 4)



5. Remove one screw (callout 1), and then release the PCA cable from the cable guides (callout 2) to remove the sensor PCA.

**Figure 1-85** Remove the optional paper feeder paper sensor PCA (4 of 4)





---

## 2 Parts and diagrams



**NOTE:** In this chapter, part numbers are listed only for available replaceable parts.

---

- [Order parts by authorized service providers](#)
- [How to use the parts lists and diagrams](#)
- [Assembly locations](#)
- [Covers, panels, and doors](#)
- [Internal assemblies](#)
- [Scanner and document feeder](#)
- [Input devices](#)
- [Alphabetical parts list](#)
- [Numerical parts list](#)

# Order parts by authorized service providers

## Order replacement parts

**Table 2-1 Order parts, accessories, and supplies**

Order supplies and paper	<a href="http://www.hp.com/go/suresupply">www.hp.com/go/suresupply</a>
Order genuine HP parts or accessories	<a href="http://www.hp.com/buy/parts">www.hp.com/buy/parts</a>
Order through service or support providers	Contact an HP-authorized service or support provider.

## Related documentation and software

**Table 2-2 Related documentation and software**

Item	Description	Part number
HP LaserJet Pro 400 MFP M425 Series User Guide	Product user guide	CF286-90909 (English)
HP LaserJet Pro 400 MFP M425 Series Repair Manual	English repair manual (this manual)	CF286-90979
HP LaserJet Pro 400 MFP M425 Series Troubleshooting Manual	English troubleshooting manual	CF286-91012

## Supplies part numbers

**Table 2-3 Supplies part numbers**

Part	Part number	Type/size
Toner cartridge	CF280-67901 (standard)	Black toner cartridge
	CF280-67902 (extended)	
Paper feeder	CF406A	500-sheet Tray 3
USB 2.0 cable	C6518A	(2-meter standard) A-to-B cable

## Whole-unit replacement part numbers



**NOTE:** Whole-unit replacement products include the formatter PCA.


**Table 2-4 Whole-unit replacement part numbers**


<b>Item</b>	<b>Description</b>	<b>Part number</b>
HP LaserJet Pro 400 MFP M425dn	110v WUR NAR/TW	CF286-69001 (exchange)
	220v WUR EMEA	CF286-69002 (exchange)
	220v WUR CN/MY	CF286-67059 (replace)
	220v WUR AP/LAR	CF286-69003 (exchange)
	220v WUR CL/AR	CF286-69004 (exchange)
	110v WUR BR	CF286-69005 (exchange)
HP LaserJet Pro 400 MFP M425dw	110v WUR NAR/TW	CF288-69001 (exchange)
	220v WUR EMEA	CF288-69002 (exchange)
	220v WUR CN/MY	CF288-67059 (replace)
	220v WUR AP/LAR	CF288-69003 (exchange)
	220v WUR CL/AR	CF288-69004 (exchange)
	110v WUR BR	CF288-69005 (exchange)

## How to use the parts lists and diagrams

The figures in this chapter show the major subassemblies in the product and their component parts. A parts list table follows each exploded view assembly diagram. Each table lists the item number, the associated part number, and the description of each part. If a part is not listed in the table, then it is not a field replacement unit (FRU).

---

 **CAUTION:** Be sure to order the correct part. When looking for part numbers for electrical components, pay careful attention to the voltage that is listed in the description column. Doing so will ensure that the part number selected is for the correct product model.

 **NOTE:** In this manual, the abbreviation “PCA” stands for “printed circuit-board assembly.” Components described as a PCA might consist of a single circuit board or a circuit board plus other parts, such as cables and sensors.

---



# Assembly locations

## Main unit

Figure 2-1 Assembly locations: main unit

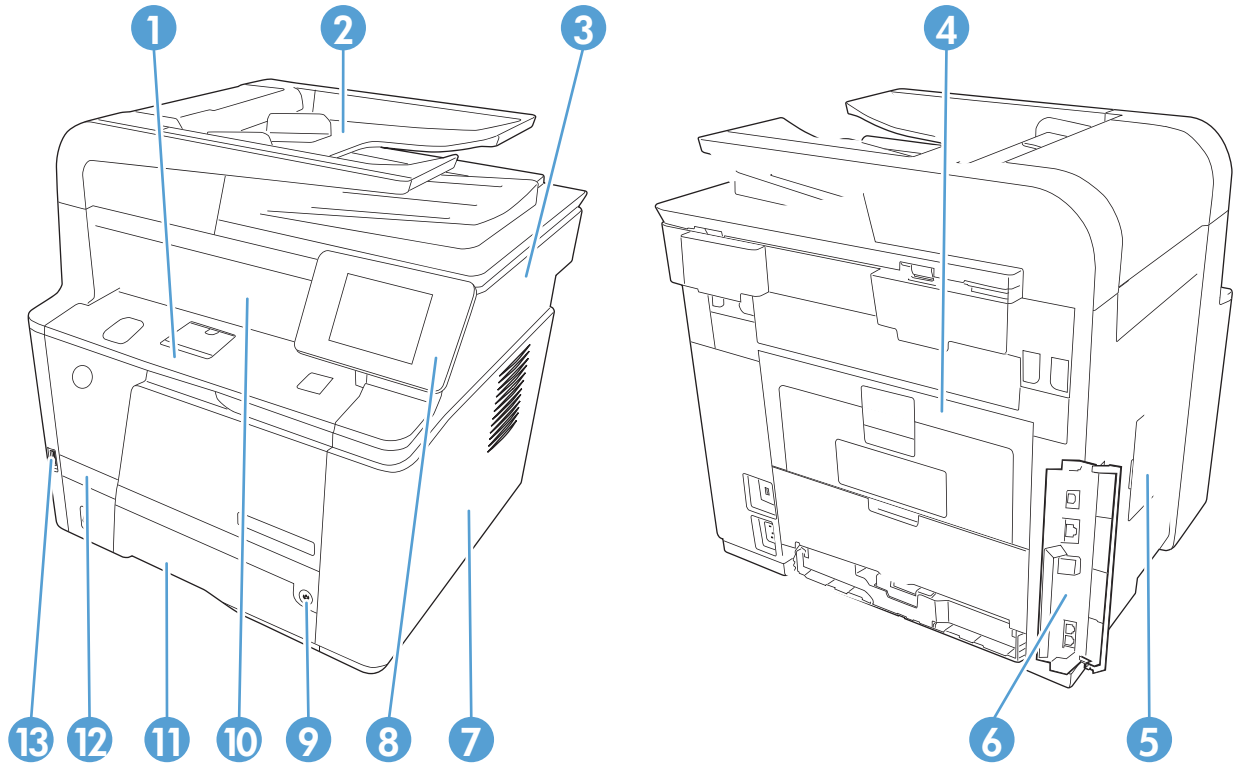
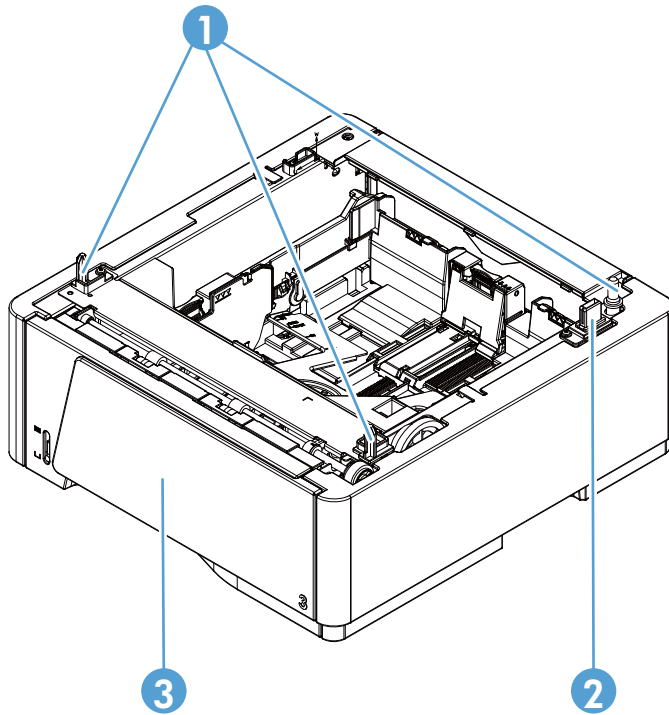


Table 2-5 Assembly locations: main unit

Item	Description	Item	Description
1	Cartridge door assembly (includes multipurpose tray — Tray 1)	8	Control panel
2	Document feeder	9	Power switch
3	Scanner assembly	10	Top cover
4	Rear cover assembly (includes rear output door, duplex cover, and duplexing paper feed assembly)	11	Tray 2 cassette
5	Left cover (includes DIMM door)	12	Front cover
6	Formatter PCA ports	13	Walkup USB port
7	Right cover		

## Optional paper feeder

**Figure 2-2** Assembly locations: optional paper feeder



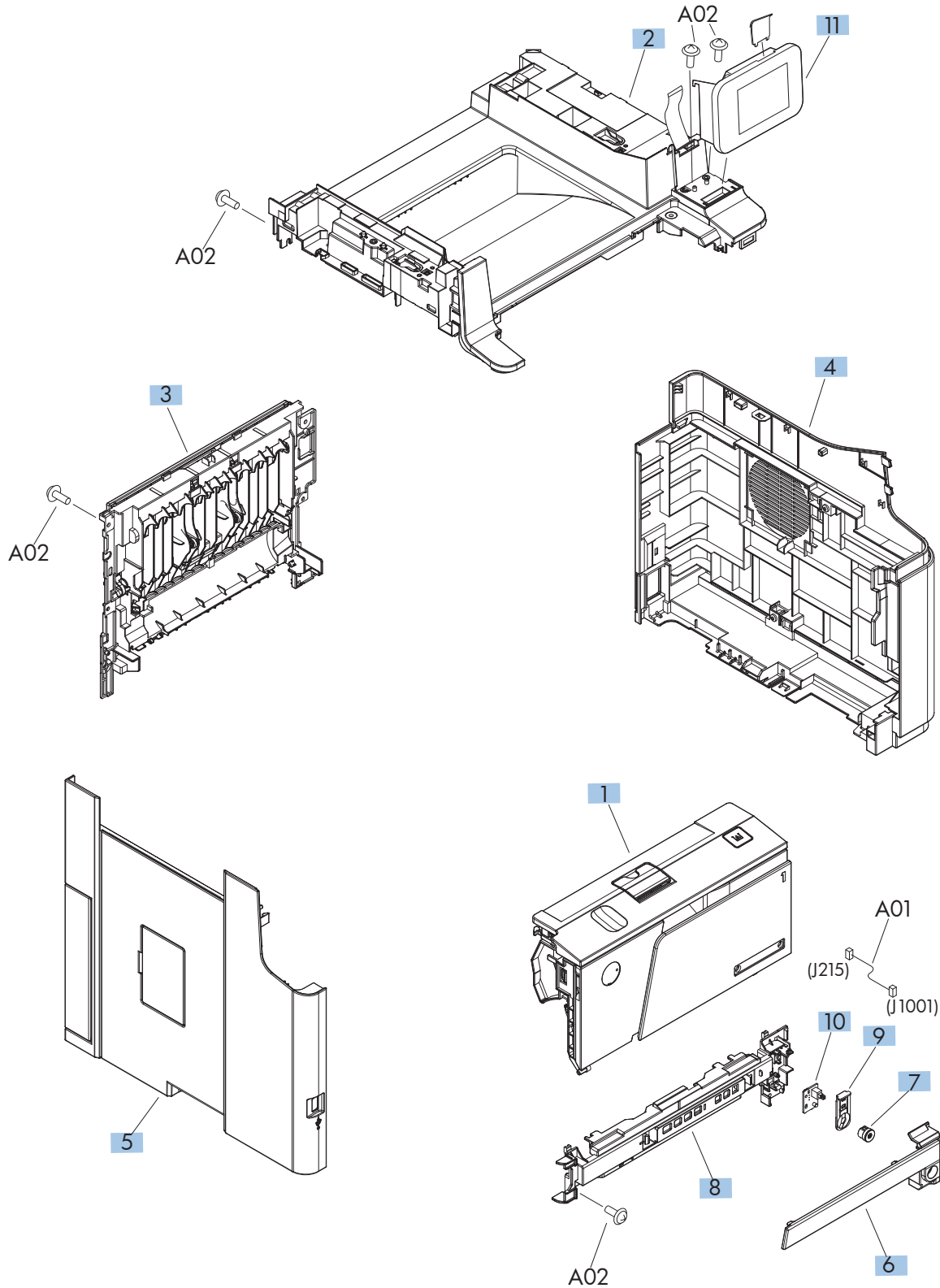
**Table 2-6** Assembly locations: optional paper feeder

Item	Description	Item	Description
1	Positioning pins	3	Tray 3 cassette
2	Option interface connector		



# Covers, panels, and doors

Figure 2-3 Covers, panels, and doors

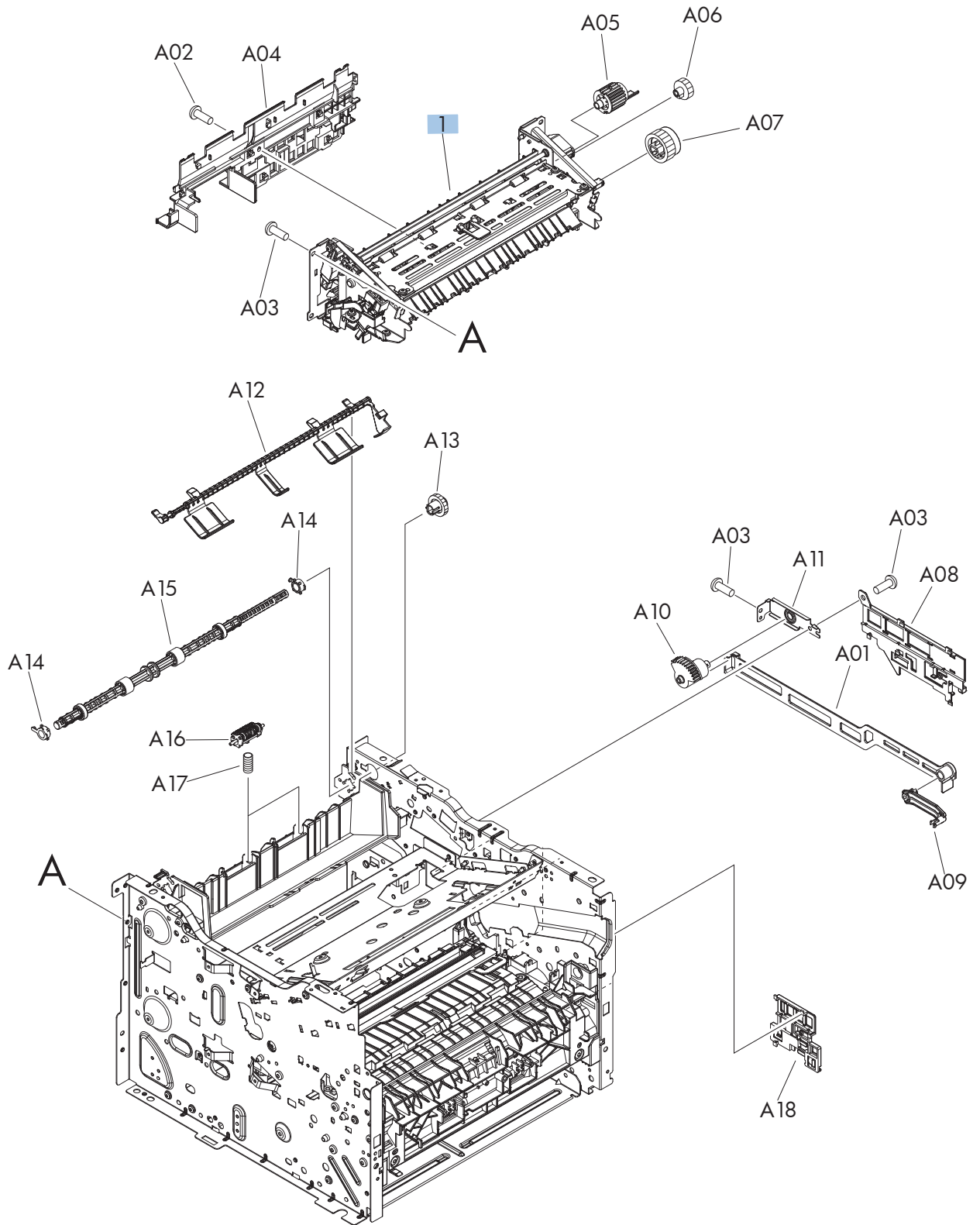


**Table 2-7 Covers, panels, and doors**

<b>Ref</b>	<b>Description</b>	<b>Part number</b>	<b>Qty</b>
1	Cartridge door assembly	RM1-9307-000CN	1
2	Cover, top	RM1-9303-000CN	1
3	Cover, rear	RM1-9161-000CN	1
4	Cover, right	RM1-9304-000CN	1
5	Cover, left	RM1-9305-000CN	1
6	Cover, outer, front	RC3-2533-000CN	1
7	Switch, power button assembly	RM1-9125-000CN	1
8	Cover, inner, front	RC3-2532-000CN	1
9	Lever, power supply button	RC3-2545-000CN	1
10	Power button PCA	RM1-9039-000CN	1
11	Control-panel assembly	CF288-60116	1

# Internal assemblies

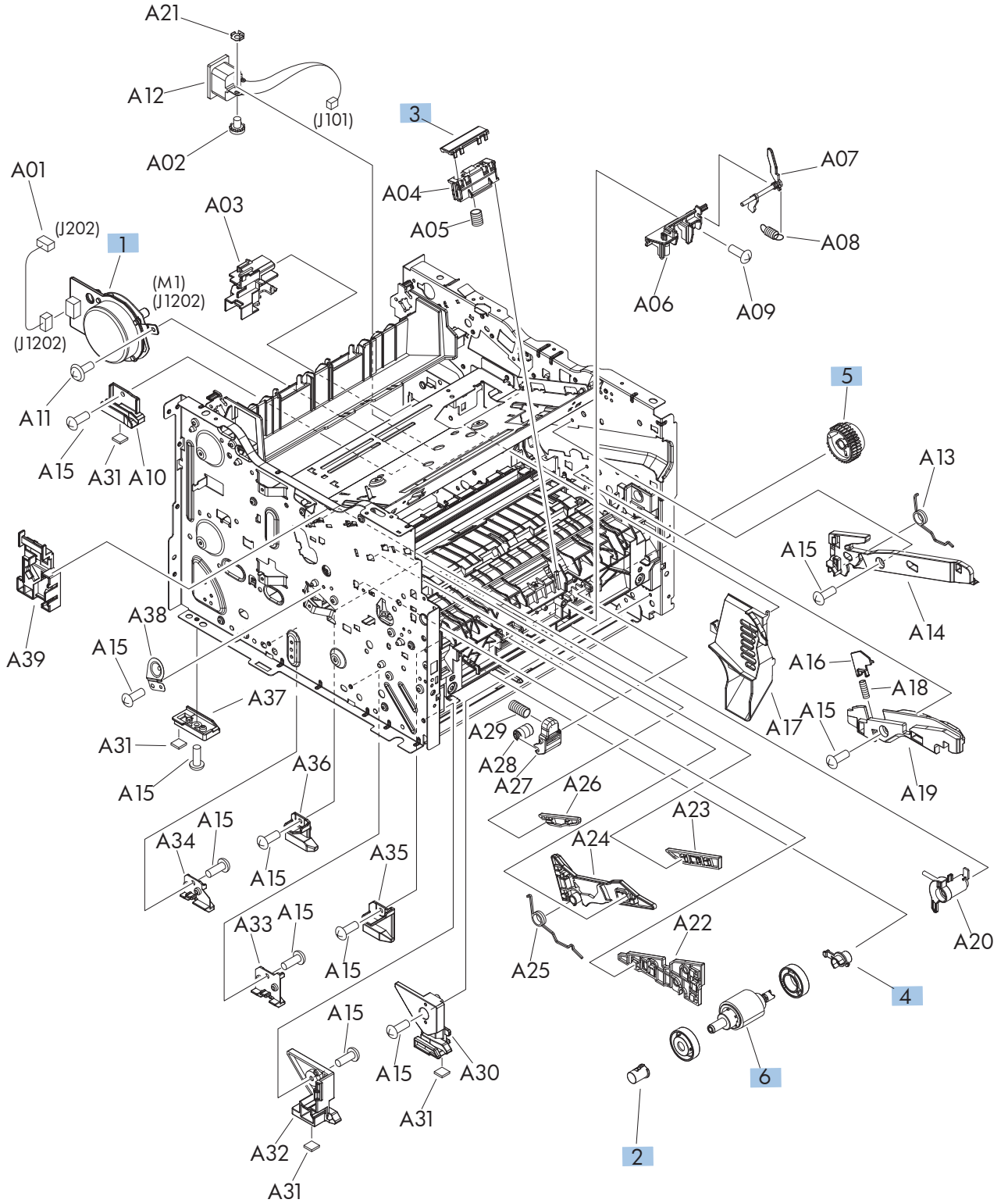
Figure 2-4 Internal components (1 of 5)



**Table 2-8 Internal components (1 of 5)**

<b>Ref</b>	<b>Description</b>	<b>Part number</b>	<b>Qty</b>
1	Fuser (110V)	RM1-8808-000CN	1
1	Fuser (220V)	RM1-8809-000CN	1

**Figure 2-5** Internal components (2 of 5)

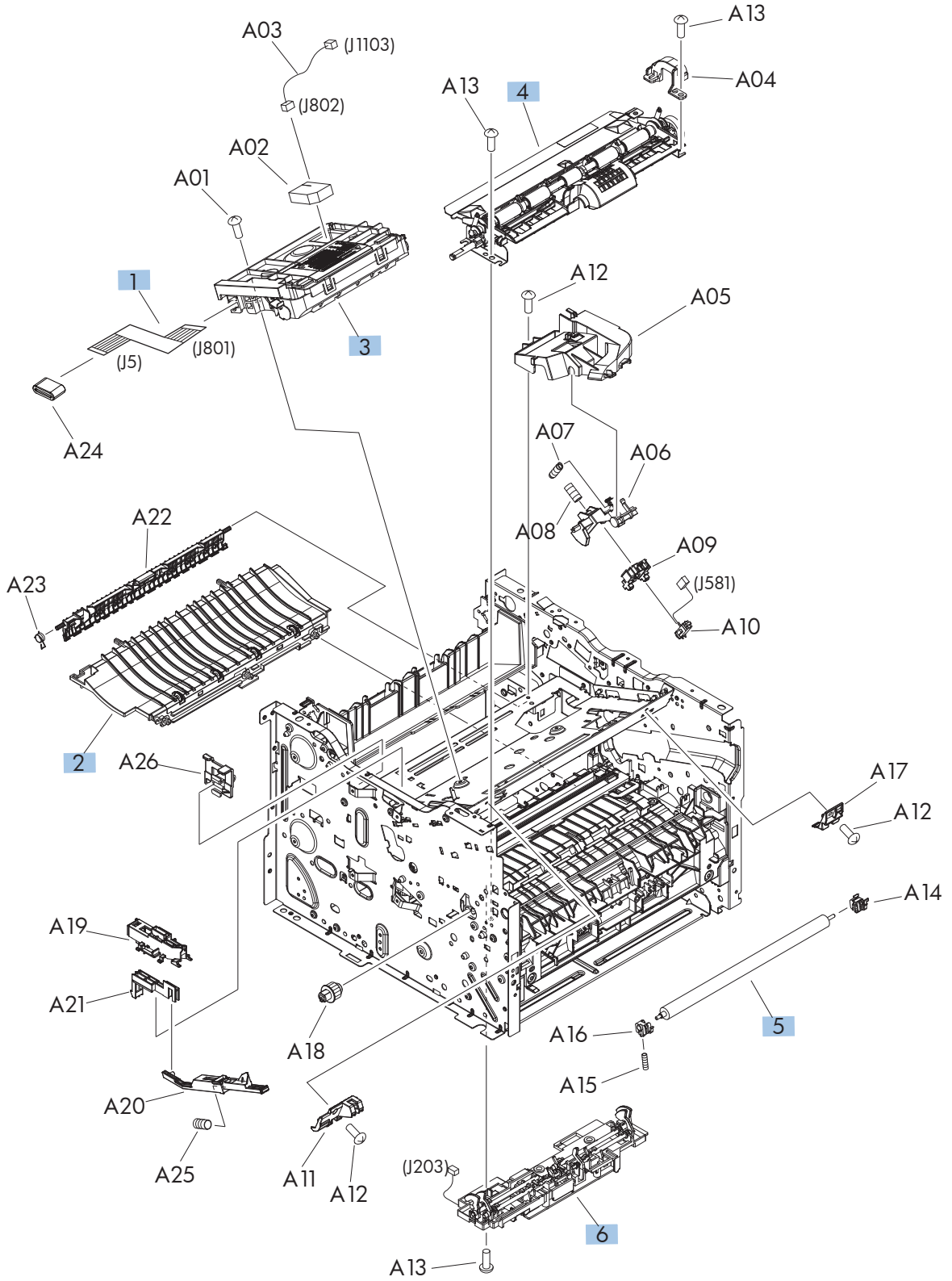




**Table 2-9 Internal components (2 of 5)**

<b>Ref</b>	<b>Description</b>	<b>Part number</b>	<b>Qty</b>
1	Main motor assembly	RM1-9042-000CN	1
2	Bushing	RC2-8263-000CN	1
3	Separation pad, multipurpose tray	RL1-2115-000CN	1
4	Bushing	RC2-6131-000CN	1
5	Paper pickup gear assembly	RM1-7360-000CN	1
6	Paper pickup roller assembly	RM1-9168-000CN	1

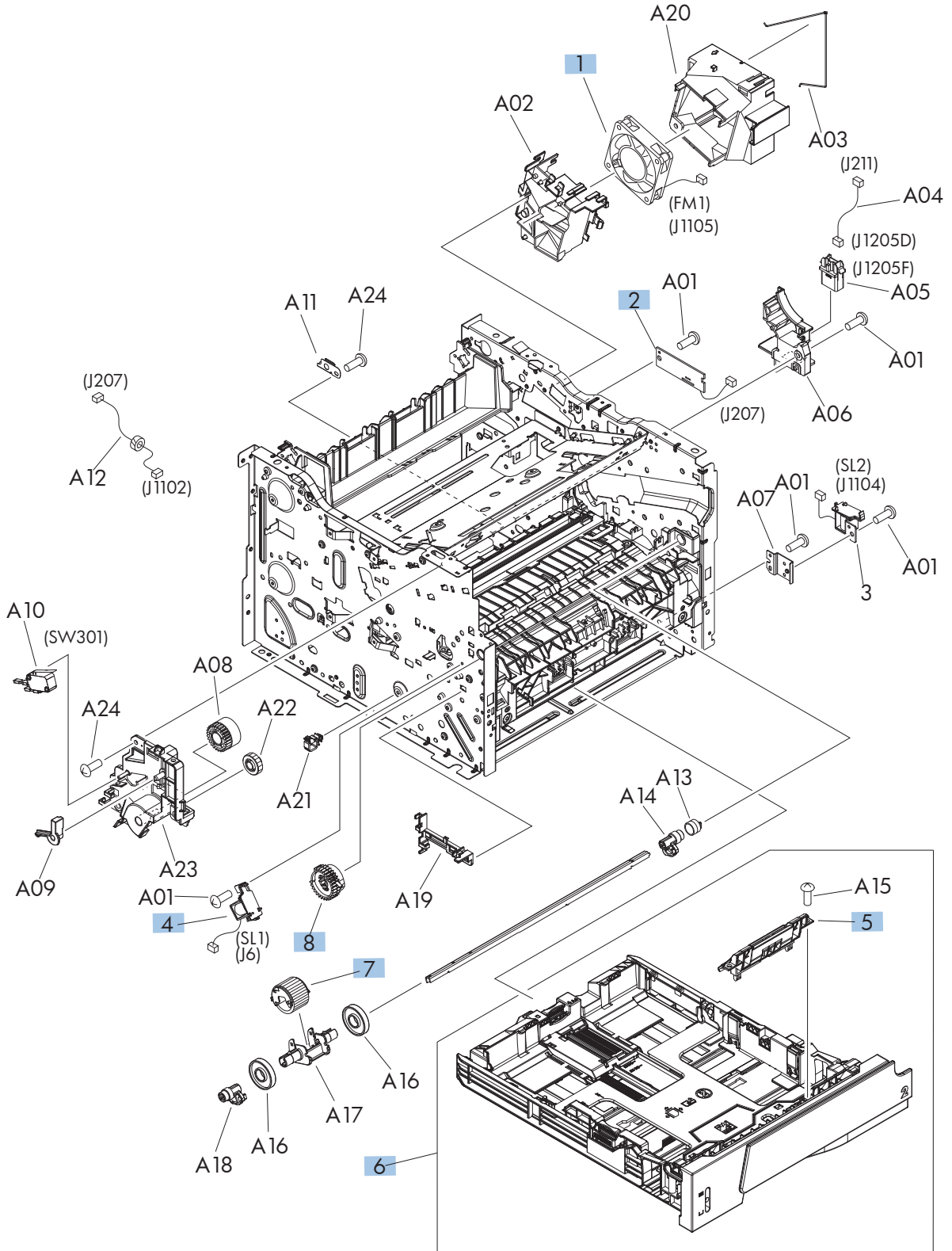
Figure 2-6 Internal components (3 of 5)



**Table 2-10 Internal components (3 of 5)**

<b>Ref</b>	<b>Description</b>	<b>Part number</b>	<b>Qty</b>
1	Cable, flexible, flat	RK2-4452-000CN	1
2	Paper feed guide assembly	RM1-9122-000CN	1
3	Laser scanner assembly	RM1-9135-000CN	1
4	Registration roller assembly	RM1-8806-000CN	1
5	Transfer roller assembly	RM1-9175-000CN	1
6	Sensor assembly	RM1-8807-000CN	1

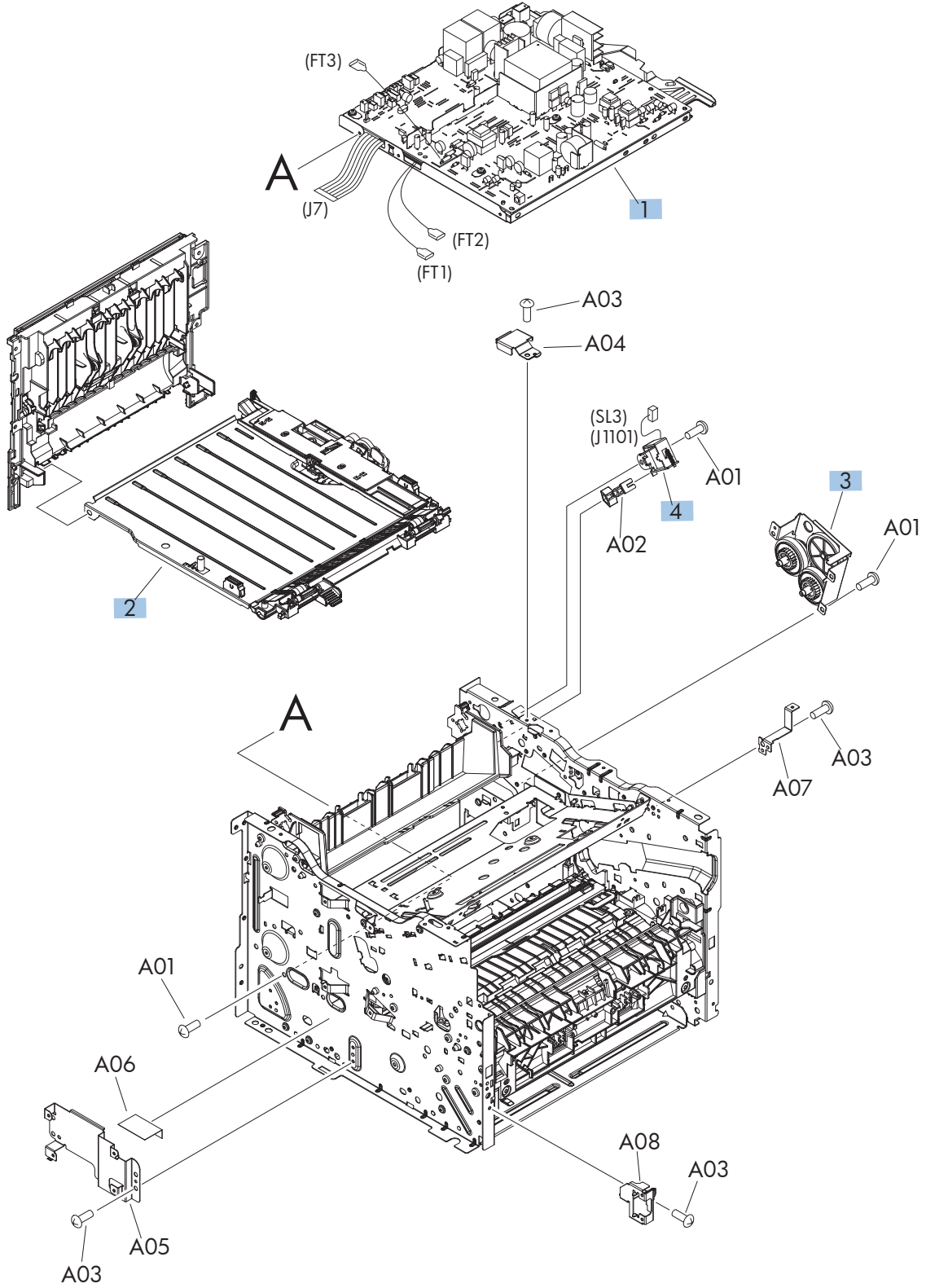
Figure 2-7 Internal components (4 of 5)



**Table 2-11 Internal components (4 of 5)**

<b>Ref</b>	<b>Description</b>	<b>Part number</b>	<b>Qty</b>
1	Fan	RK2-2276-000CN	1
2	Connecting PCA	RM1-9114-000CN	1
4	Solenoid, Tray 1	RK2-2731-000CN	1
5	Separation pad holder assembly, Tray 2	RM1-7365-000CN	1
6	Cassette assembly (Tray 2)	RM1-9137-000CN	1
7	Pickup roller, multipurpose tray (Tray 1)	RL1-3307-000CN	1
8	Multipurpose tray pickup gear assembly	RM1-9127-000CN	1

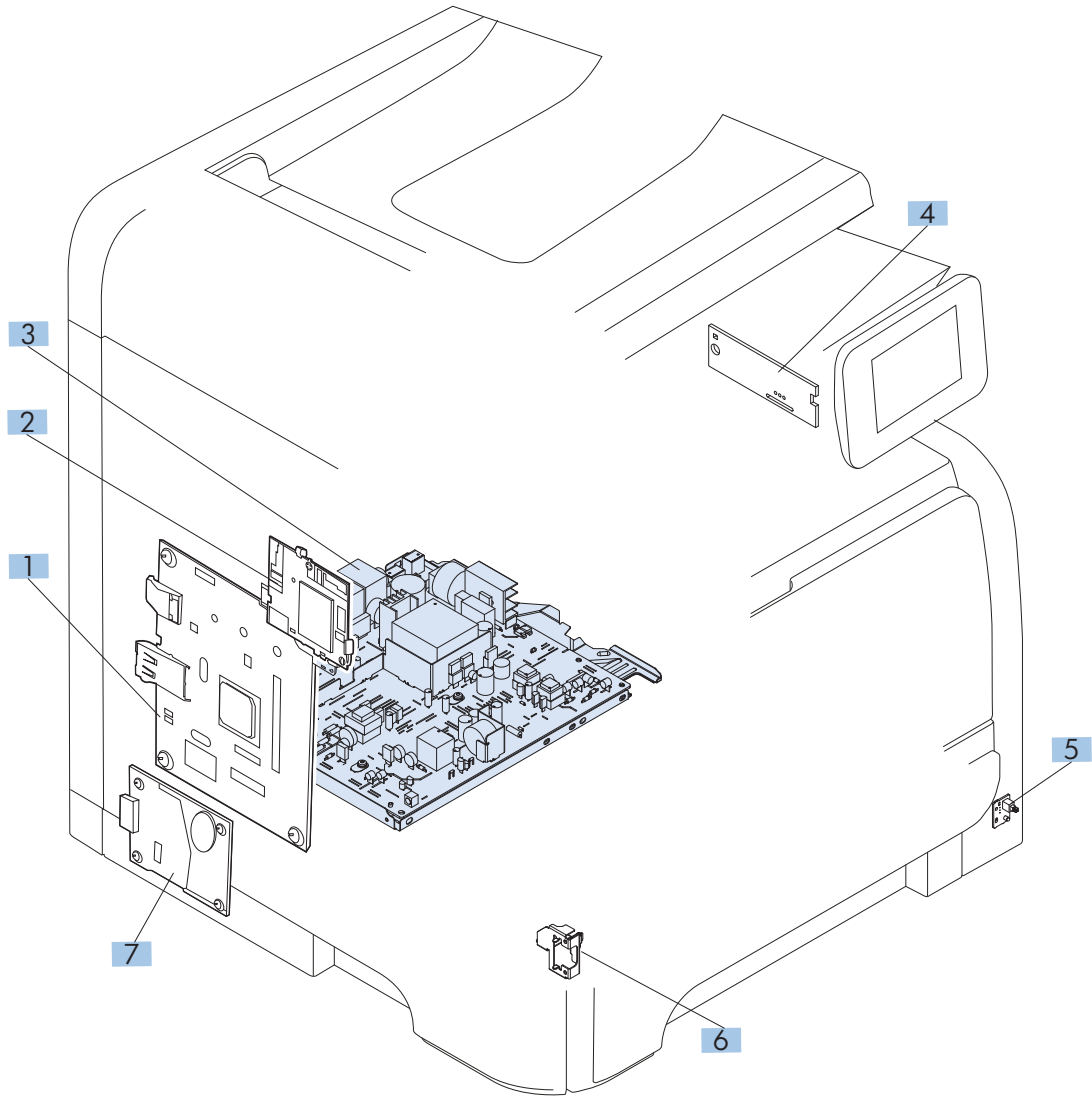
**Figure 2-8** Internal components (5 of 5)



**Table 2-12 Internal components (5 of 5)**

<b>Ref</b>	<b>Description</b>	<b>Part number</b>	<b>Qty</b>
1	Engine controller assembly (DC controller) — 110V	RM1-9308-000CN	1
1	Engine controller assembly (DC controller) — 220V	RM1-9309-000CN	1
2	Duplexing paper feed assembly	RM1-9153-000CN	1
3	Reverse drive assembly	RM1-9157-000CN	1
4	Solenoid, duplex	RK2-2733-000CN	1

**Figure 2-9** PCA locations



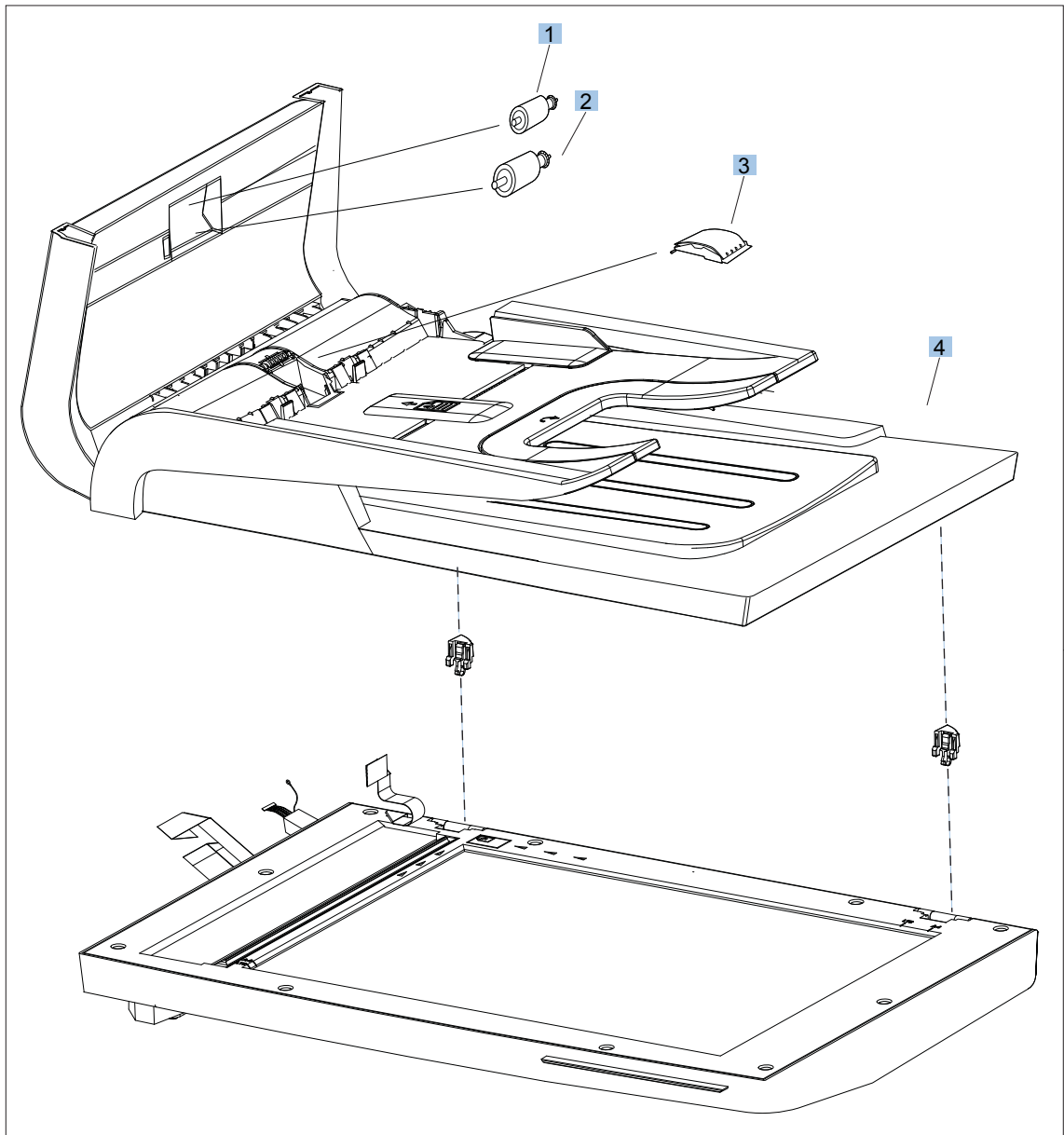


**Table 2-13 PCA locations**

<b>Ref</b>	<b>Description</b>	<b>Part number</b>	<b>Qty</b>
1	Formatter PCA	CF229-60001	1
1	Formatter PCA (China only)	CF229-69001	1
2	Wireless PCA (HP LaserJet M425dw model only)	CF1150-7940	1
2	Wireless PCA holder (not pictured)	CF286-40014	
3	Engine controller assembly (DC controller) PCA — 110V	RM1-9308-000CN	1
3	Engine controller assembly (DC controller) PCA — 220V	RM1-9309-000CN	1
4	Connecting PCA	RM1-9114-000CN	1
5	Power switch PCA	RM1-9039-000CN	1
6	Universal serial bus (USB) PCA	CF368-60001	1
7	Fax PCA (all countries/regions except Europe and Brazil)	CF206-60001	1
7	Fax PCA (Europe)	CF207-60001	1
7	Fax PCA (Brazil)	CF208-60001	1

# Scanner and document feeder

Figure 2-10 Scanner and document feeder



**Table 2-14 Scanner and document feeder**

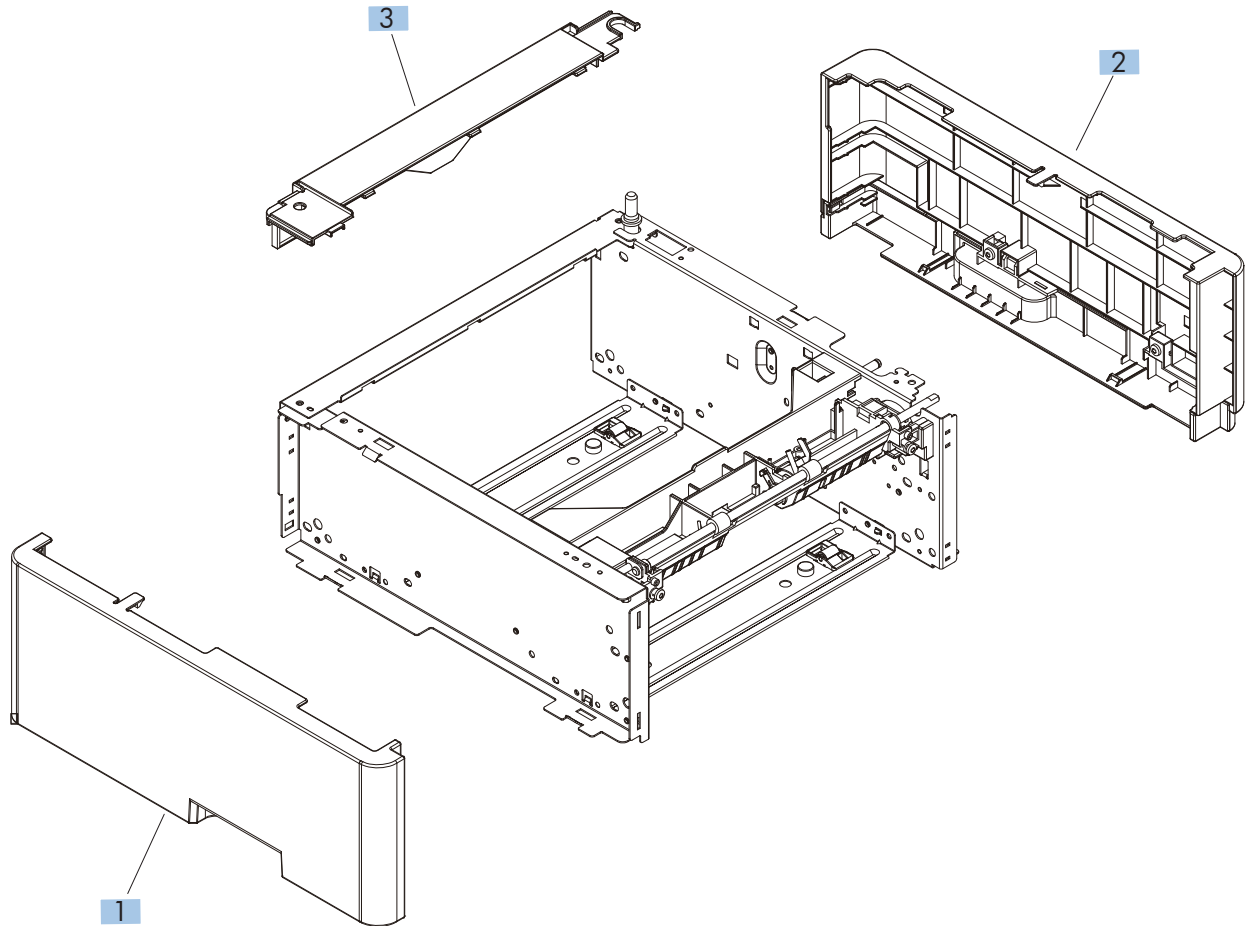
<b>Ref</b>	<b>Description</b>	<b>Part number</b>	<b>Qty</b>
1	Document feeder pickup roller	CF288-60015	1
2	Document feeder separation roller	CF288-60016	1
3	Document feeder separation pad	CF288-60021	1
4	Document feeder assembly	CF288-60011	1
5	Scanner assembly	CF288-60104	1

# Input devices

## 500-sheet paper feeder

### Paper feeder covers

Figure 2-11 Paper feeder covers

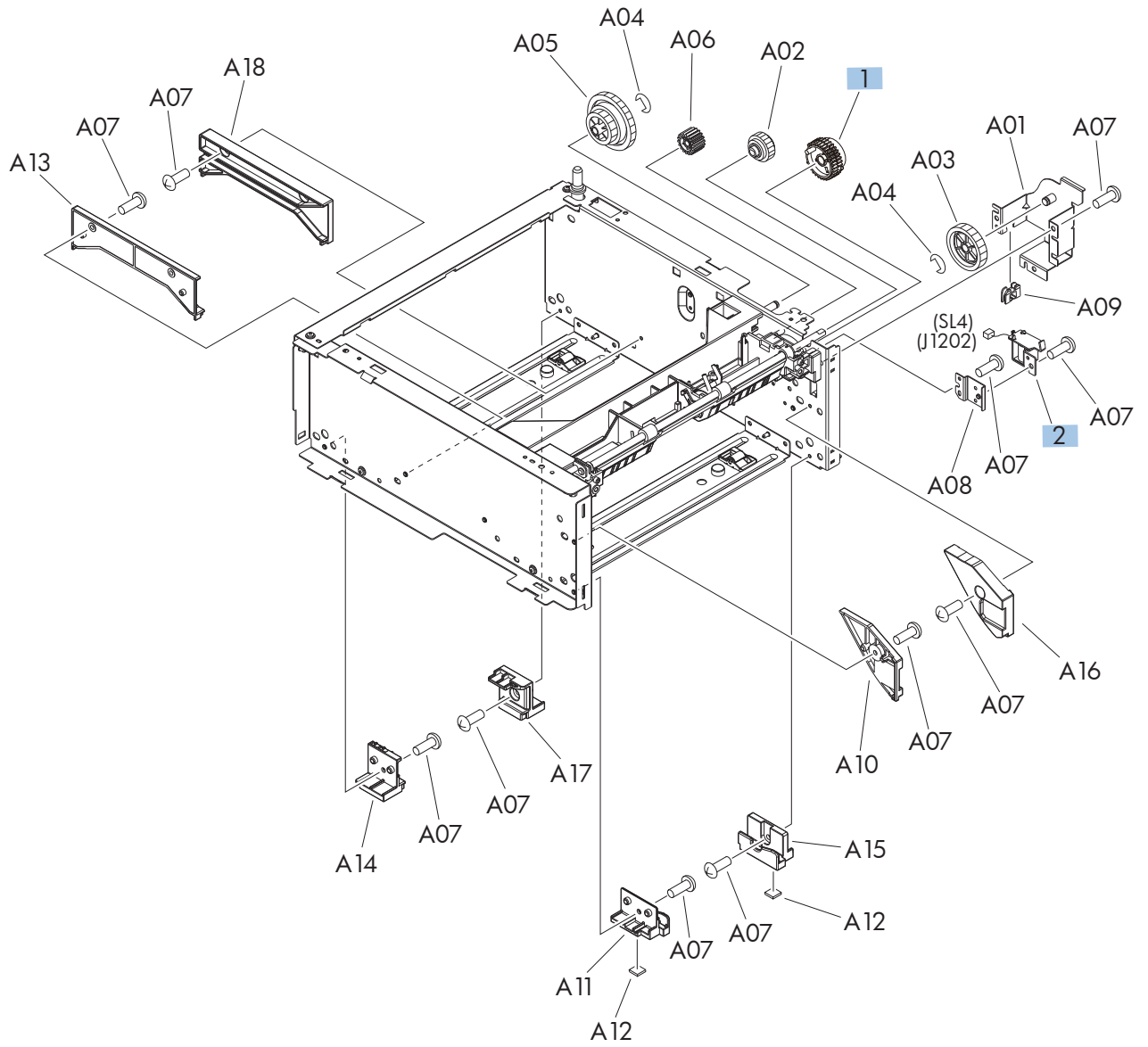


**Table 2-15 Paper feeder covers**

<b>Ref</b>	<b>Description</b>	<b>Part number</b>	<b>Qty</b>
1	Cover, left	RC3-2618-000CN	1
2	Cover, right	RM1-9316-000CN	1
3	Cover, rear	RC3-2621-000CN	1

## Paper feeder main body (1 of 2)

Figure 2-12 Paper feeder main body (1 of 2)

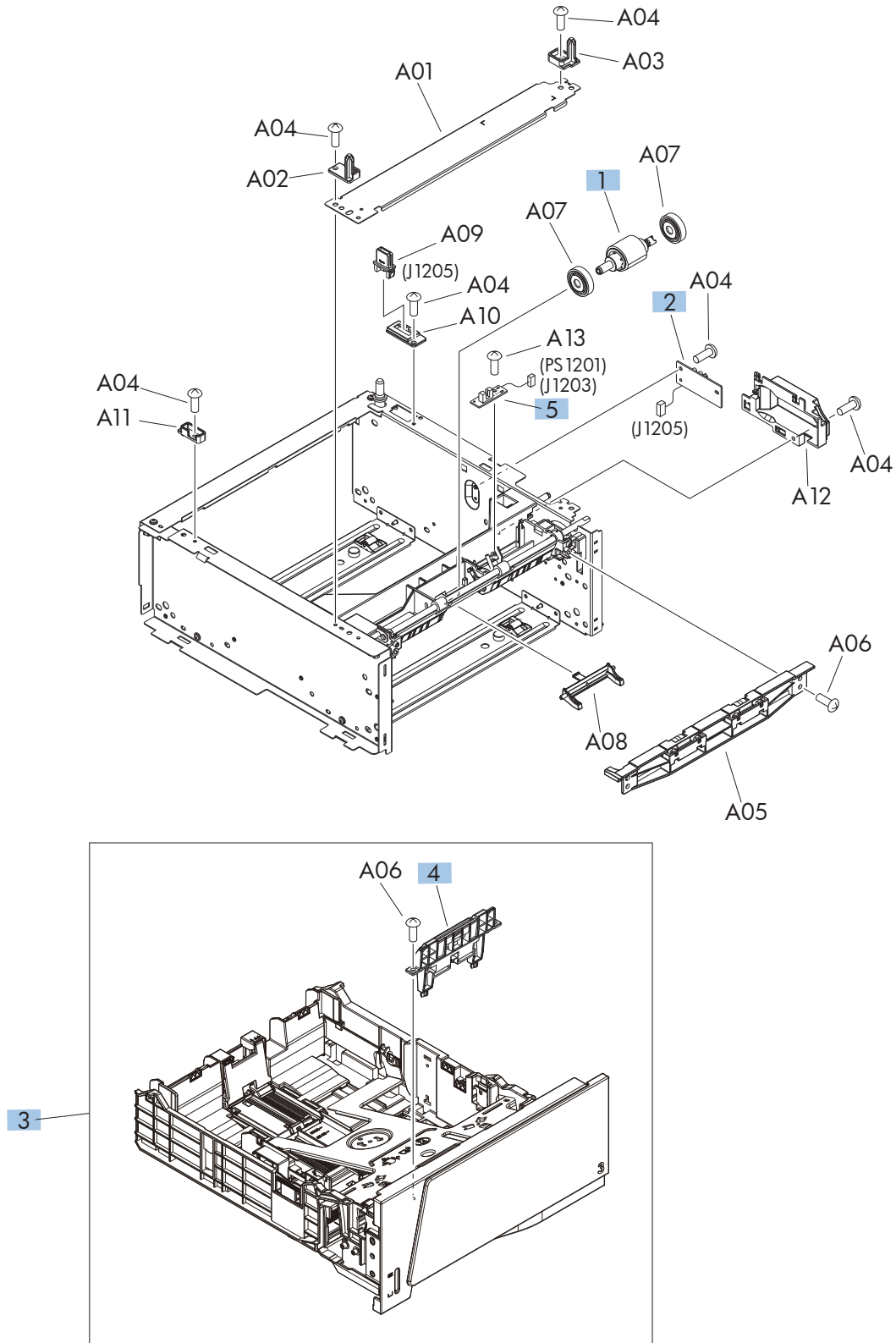


**Table 2-16 Paper feeder main body (1 of 2)**

<b>Ref</b>	<b>Description</b>	<b>Part number</b>	<b>Qty</b>
1	Paper pickup gear assembly	RM1-7360-000CN	1
2	Solenoid	RK2-0426-000CN	1

## Paper feeder main body (2 of 2)

Figure 2-13 Paper feeder main body (2 of 2)





**Table 2-17 Paper feeder main body (2 of 2)**

<b>Ref</b>	<b>Description</b>	<b>Part number</b>	<b>Qty</b>
1	Paper feeder pickup roller assembly	RM1-9168-000CN	1
2	Paper feeder driver PCA	RM1-9297-000CN	1
3	Paper feeder 500-sheet cassette (Tray 3)	CF286- 67901	1
3	Paper feeder 500-sheet cassette (Tray 3)	RM1-9313-000CN	1
4	Paper feeder separation pad holder assembly	RM1-6303-000CN	1
5	Paper feeder paper sensor PCA	RM1-1267-000CN	1

# Alphabetical parts list

**Table 2-18 Alphabetical parts list**

<b>Description</b>	<b>Part number</b>	<b>Table and page</b>
Bushing	RC2-8263-000CN	<a href="#">Internal components (2 of 5) on page 73</a>
Bushing	RC2-6131-000CN	<a href="#">Internal components (2 of 5) on page 73</a>
Cable, flexible, flat	RK2-4452-000CN	<a href="#">Internal components (3 of 5) on page 75</a>
Cartridge door assembly	RM1-9307-000CN	<a href="#">Covers, panels, and doors on page 69</a>
Cassette assembly (Tray 2)	RM1-9137-000CN	<a href="#">Internal components (4 of 5) on page 77</a>
Connecting PCA	RM1-9114-000CN	<a href="#">Internal components (4 of 5) on page 77</a>
Connecting PCA	RM1-9114-000CN	<a href="#">PCA locations on page 81</a>
Control-panel assembly	CF288-60116	<a href="#">Covers, panels, and doors on page 69</a>
Cover, inner, front	RC3-2532-000CN	<a href="#">Covers, panels, and doors on page 69</a>
Cover, left	RM1-9305-000CN	<a href="#">Covers, panels, and doors on page 69</a>
Cover, left	RC3-2618-000CN	<a href="#">Paper feeder covers on page 85</a>
Cover, outer, front	RC3-2533-000CN	<a href="#">Covers, panels, and doors on page 69</a>
Cover, rear	RM1-9161-000CN	<a href="#">Covers, panels, and doors on page 69</a>
Cover, rear	RC3-2621-000CN	<a href="#">Paper feeder covers on page 85</a>
Cover, right	RM1-9304-000CN	<a href="#">Covers, panels, and doors on page 69</a>
Cover, right	RM1-9316-000CN	<a href="#">Paper feeder covers on page 85</a>
Cover, top	RM1-9303-000CN	<a href="#">Covers, panels, and doors on page 69</a>
Document feeder assembly	CF288-60011	<a href="#">Scanner and document feeder on page 83</a>
Document feeder pickup roller	CF288-60015	<a href="#">Scanner and document feeder on page 83</a>

**Table 2-18 Alphabetical parts list (continued)**

<b>Description</b>	<b>Part number</b>	<b>Table and page</b>
Document feeder separation pad	CF288-60021	<a href="#">Scanner and document feeder on page 83</a>
Document feeder separation roller	CF288-60016	<a href="#">Scanner and document feeder on page 83</a>
Duplexing paper feed assembly	RM1-9153-000CN	<a href="#">Internal components (5 of 5) on page 79</a>
Engine controller assembly (DC controller) PCA — 110V	RM1-9308-000CN	<a href="#">PCA locations on page 81</a>
Engine controller assembly (DC controller) PCA — 220V	RM1-9309-000CN	<a href="#">PCA locations on page 81</a>
Engine controller assembly (DC controller) — 110V	RM1-9308-000CN	<a href="#">Internal components (5 of 5) on page 79</a>
Engine controller assembly (DC controller) — 220V	RM1-9309-000CN	<a href="#">Internal components (5 of 5) on page 79</a>
Fan	RK2-2276-000CN	<a href="#">Internal components (4 of 5) on page 77</a>
Fax PCA (all countries/regions except Europe and Brazil)	CF206-60001	<a href="#">PCA locations on page 81</a>
Fax PCA (Brazil)	CF208-60001	<a href="#">PCA locations on page 81</a>
Fax PCA (Europe)	CF207-60001	<a href="#">PCA locations on page 81</a>
Formatter PCA	CF229-60001	<a href="#">PCA locations on page 81</a>
Formatter PCA (China only)	CF229-69001	<a href="#">PCA locations on page 81</a>
Fuser (110V)	RM1-8808-000CN	<a href="#">Internal components (1 of 5) on page 71</a>
Fuser (220V)	RM1-8809-000CN	<a href="#">Internal components (1 of 5) on page 71</a>
Laser scanner assembly	RM1-9135-000CN	<a href="#">Internal components (3 of 5) on page 75</a>
Lever, power supply button	RC3-2545-000CN	<a href="#">Covers, panels, and doors on page 69</a>
Main motor assembly	RM1-9042-000CN	<a href="#">Internal components (2 of 5) on page 73</a>
Multipurpose tray pickup gear assembly	RM1-9127-000CN	<a href="#">Internal components (4 of 5) on page 77</a>
Paper feed guide assembly	RM1-9122-000CN	<a href="#">Internal components (3 of 5) on page 75</a>
Paper feeder 500-sheet cassette (Tray 3)	CF286-67901	<a href="#">Paper feeder main body (2 of 2) on page 89</a>
Paper feeder 500-sheet cassette (Tray 3)	RM1-9313-000CN	<a href="#">Paper feeder main body (2 of 2) on page 89</a>
Paper feeder driver PCA	RM1-9297-000CN	<a href="#">Paper feeder main body (2 of 2) on page 89</a>

**Table 2-18 Alphabetical parts list (continued)**

<b>Description</b>	<b>Part number</b>	<b>Table and page</b>
Paper feeder paper sensor PCA	RM1-1267-000CN	<a href="#">Paper feeder main body (2 of 2) on page 89</a>
Paper feeder pickup roller assembly	RM1-9168-000CN	<a href="#">Paper feeder main body (2 of 2) on page 89</a>
Paper feeder separation pad holder assembly	RM1-6303-000CN	<a href="#">Paper feeder main body (2 of 2) on page 89</a>
Paper pickup gear assembly	RM1-7360-000CN	<a href="#">Internal components (2 of 5) on page 73</a>
Paper pickup gear assembly	RM1-7360-000CN	<a href="#">Paper feeder main body (1 of 2) on page 87</a>
Paper pickup roller assembly	RM1-9168-000CN	<a href="#">Internal components (2 of 5) on page 73</a>
Pickup roller, multipurpose tray (Tray 1)	RL1-3307-000CN	<a href="#">Internal components (4 of 5) on page 77</a>
Power button PCA	RM1-9039-000CN	<a href="#">Covers, panels, and doors on page 69</a>
Power switch PCA	RM1-9039-000CN	<a href="#">PCA locations on page 81</a>
Registration roller assembly	RM1-8806-000CN	<a href="#">Internal components (3 of 5) on page 75</a>
Reverse drive assembly	RM1-9157-000CN	<a href="#">Internal components (5 of 5) on page 79</a>
Scanner assembly	CF288-60104	<a href="#">Scanner and document feeder on page 83</a>
Sensor assembly	RM1-8807-000CN	<a href="#">Internal components (3 of 5) on page 75</a>
Separation pad holder assembly, Tray 2	RM1-7365-000CN	<a href="#">Internal components (4 of 5) on page 77</a>
Separation pad, multipurpose tray	RL1-2115-000CN	<a href="#">Internal components (2 of 5) on page 73</a>
Solenoid	RK2-0426-000CN	<a href="#">Paper feeder main body (1 of 2) on page 87</a>
Solenoid, duplex	RK2-2733-000CN	<a href="#">Internal components (5 of 5) on page 79</a>
Solenoid, Tray 1	RK2-2731-000CN	<a href="#">Internal components (4 of 5) on page 77</a>
Switch, power button assembly	RM1-9125-000CN	<a href="#">Covers, panels, and doors on page 69</a>
Transfer roller assembly	RM1-9175-000CN	<a href="#">Internal components (3 of 5) on page 75</a>
Universal serial bus (USB) PCA	CF368-60001	<a href="#">PCA locations on page 81</a>

**Table 2-18 Alphabetical parts list (continued)**

Description	Part number	Table and page
Wireless PCA (HP LaserJet M425dw model only)	CF1150-7940	<a href="#">PCA locations on page 81</a>
Wireless PCA holder (not pictured)	CF286-40014	<a href="#">PCA locations on page 81</a>

# Numerical parts list

**Table 2-19 Numerical parts list**

<b>Part number</b>	<b>Description</b>	<b>Table and page</b>
CF1150-7940	Wireless PCA (HP LaserJet M425dw model only)	<a href="#">PCA locations on page 81</a>
CF206-60001	Fax PCA (all countries/regions except Europe and Brazil)	<a href="#">PCA locations on page 81</a>
CF207-60001	Fax PCA (Europe)	<a href="#">PCA locations on page 81</a>
CF208-60001	Fax PCA (Brazil)	<a href="#">PCA locations on page 81</a>
CF229-60001	Formatter PCA	<a href="#">PCA locations on page 81</a>
CF229-69001	Formatter PCA (China only)	<a href="#">PCA locations on page 81</a>
CF286- 67901	Paper feeder 500-sheet cassette (Tray 3)	<a href="#">Paper feeder main body (2 of 2) on page 89</a>
CF286-40014	Wireless PCA holder (not pictured)	<a href="#">PCA locations on page 81</a>
CF288-60011	Document feeder assembly	<a href="#">Scanner and document feeder on page 83</a>
CF288-60015	Document feeder pickup roller	<a href="#">Scanner and document feeder on page 83</a>
CF288-60016	Document feeder separation roller	<a href="#">Scanner and document feeder on page 83</a>
CF288-60021	Document feeder separation pad	<a href="#">Scanner and document feeder on page 83</a>
CF288-60104	Scanner assembly	<a href="#">Scanner and document feeder on page 83</a>
CF288-60116	Control-panel assembly	<a href="#">Covers, panels, and doors on page 69</a>
CF368-60001	Universal serial bus (USB) PCA	<a href="#">PCA locations on page 81</a>
RC2-6131-000CN	Bushing	<a href="#">Internal components (2 of 5) on page 73</a>
RC2-8263-000CN	Bushing	<a href="#">Internal components (2 of 5) on page 73</a>
RC3-2532-000CN	Cover, inner, front	<a href="#">Covers, panels, and doors on page 69</a>
RC3-2533-000CN	Cover, outer, front	<a href="#">Covers, panels, and doors on page 69</a>
RC3-2545-000CN	Lever, power supply button	<a href="#">Covers, panels, and doors on page 69</a>
RC3-2618-000CN	Cover, left	<a href="#">Paper feeder covers on page 85</a>
RC3-2621-000CN	Cover, rear	<a href="#">Paper feeder covers on page 85</a>

**Table 2-19 Numerical parts list (continued)**

<b>Part number</b>	<b>Description</b>	<b>Table and page</b>
RK2-0426-000CN	Solenoid	<a href="#">Paper feeder main body (1 of 2) on page 87</a>
RK2-2276-000CN	Fan	<a href="#">Internal components (4 of 5) on page 77</a>
RK2-2731-000CN	Solenoid, Tray 1	<a href="#">Internal components (4 of 5) on page 77</a>
RK2-2733-000CN	Solenoid, duplex	<a href="#">Internal components (5 of 5) on page 79</a>
RK2-4452-000CN	Cable, flexible, flat	<a href="#">Internal components (3 of 5) on page 75</a>
RL1-2115-000CN	Separation pad, multipurpose tray	<a href="#">Internal components (2 of 5) on page 73</a>
RL1-3307-000CN	Pickup roller, multipurpose tray (Tray 1)	<a href="#">Internal components (4 of 5) on page 77</a>
RM1-1267-000CN	Paper feeder paper sensor PCA	<a href="#">Paper feeder main body (2 of 2) on page 89</a>
RM1-6303-000CN	Paper feeder separation pad holder assembly	<a href="#">Paper feeder main body (2 of 2) on page 89</a>
RM1-7360-000CN	Paper pickup gear assembly	<a href="#">Internal components (2 of 5) on page 73</a>
RM1-7360-000CN	Paper pickup gear assembly	<a href="#">Paper feeder main body (1 of 2) on page 87</a>
RM1-7365-000CN	Separation pad holder assembly, Tray 2	<a href="#">Internal components (4 of 5) on page 77</a>
RM1-8806-000CN	Registration roller assembly	<a href="#">Internal components (3 of 5) on page 75</a>
RM1-8807-000CN	Sensor assembly	<a href="#">Internal components (3 of 5) on page 75</a>
RM1-8808-000CN	Fuser (110V)	<a href="#">Internal components (1 of 5) on page 71</a>
RM1-8809-000CN	Fuser (220V)	<a href="#">Internal components (1 of 5) on page 71</a>
RM1-9039-000CN	Power button PCA	<a href="#">Covers, panels, and doors on page 69</a>
RM1-9039-000CN	Power switch PCA	<a href="#">PCA locations on page 81</a>
RM1-9042-000CN	Main motor assembly	<a href="#">Internal components (2 of 5) on page 73</a>
RM1-9114-000CN	Connecting PCA	<a href="#">Internal components (4 of 5) on page 77</a>
RM1-9114-000CN	Connecting PCA	<a href="#">PCA locations on page 81</a>

**Table 2-19 Numerical parts list (continued)**

<b>Part number</b>	<b>Description</b>	<b>Table and page</b>
RM1-9122-000CN	Paper feed guide assembly	<a href="#">Internal components (3 of 5) on page 75</a>
RM1-9125-000CN	Switch, power button assembly	<a href="#">Covers, panels, and doors on page 69</a>
RM1-9127-000CN	Multipurpose tray pickup gear assembly	<a href="#">Internal components (4 of 5) on page 77</a>
RM1-9135-000CN	Laser scanner assembly	<a href="#">Internal components (3 of 5) on page 75</a>
RM1-9137-000CN	Cassette assembly (Tray 2)	<a href="#">Internal components (4 of 5) on page 77</a>
RM1-9153-000CN	Duplexing paper feed assembly	<a href="#">Internal components (5 of 5) on page 79</a>
RM1-9157-000CN	Reverse drive assembly	<a href="#">Internal components (5 of 5) on page 79</a>
RM1-9161-000CN	Cover, rear	<a href="#">Covers, panels, and doors on page 69</a>
RM1-9168-000CN	Paper pickup roller assembly	<a href="#">Internal components (2 of 5) on page 73</a>
RM1-9168-000CN	Paper feeder pickup roller assembly	<a href="#">Paper feeder main body (2 of 2) on page 89</a>
RM1-9175-000CN	Transfer roller assembly	<a href="#">Internal components (3 of 5) on page 75</a>
RM1-9297-000CN	Paper feeder driver PCA	<a href="#">Paper feeder main body (2 of 2) on page 89</a>
RM1-9303-000CN	Cover, top	<a href="#">Covers, panels, and doors on page 69</a>
RM1-9304-000CN	Cover, right	<a href="#">Covers, panels, and doors on page 69</a>
RM1-9305-000CN	Cover, left	<a href="#">Covers, panels, and doors on page 69</a>
RM1-9307-000CN	Cartridge door assembly	<a href="#">Covers, panels, and doors on page 69</a>
RM1-9308-000CN	Engine controller assembly (DC controller) — 110V	<a href="#">Internal components (5 of 5) on page 79</a>
RM1-9308-000CN	Engine controller assembly (DC controller) PCA — 110V	<a href="#">PCA locations on page 81</a>
RM1-9309-000CN	Engine controller assembly (DC controller) — 220V	<a href="#">Internal components (5 of 5) on page 79</a>
RM1-9309-000CN	Engine controller assembly (DC controller) PCA — 220V	<a href="#">PCA locations on page 81</a>



**Table 2-19 Numerical parts list (continued)**

<b>Part number</b>	<b>Description</b>	<b>Table and page</b>
RM1-9313-000CN	Paper feeder 500-sheet cassette (Tray 3)	<a href="#">Paper feeder main body (2 of 2) on page 89</a>
RM1-9316-000CN	Cover, right	<a href="#">Paper feeder covers on page 85</a>



---

# Index

## A

accessories  
    ordering 62  
after-service checklist 4

## C

cartridge  
    ordering 62  
    part number 62  
cautions iii  
checklists  
    after-service 4  
    preservice 3  
conventions, document iii  
covers  
    left, removing 13  
    locations 68  
    parts list 68  
    right, removing 17  
    top, removing 18  
covers, removing  
    rear 20

## D

diagrams 61  
    covers, panels, and doors 68  
    internal assemblies 70  
document conventions iii  
doors  
    front, removing 22  
    parts list 68  
    Tray 1, removing 22  
doors, removing  
    rear 20  
duplex  
    paper-feed assembly,  
        removing 20  
    paper-feed assembly,  
        replacing 31

## E

electrostatic discharge (ESD) 2  
engine controller assembly,  
    removing 41  
ESD (electrostatic discharge)  
    precaution during parts  
        removal 2

## F

formatter PCA, removing 48  
front door, removing 22  
fuser, removing 28

## I

internal assembly  
    locations 70  
    parts list 70

## L

left cover, removing 13  
location  
    assemblies 0

## M

main motor  
    replacing 37

## N

notes iii

## O

ordering  
    product documents 62  
    supplies and accessories 62  
    toner cartridge 62  
    whole-unit replacement 63

## P

panels  
    parts list 68  
paper-pickup-gear assembly  
    replacing 53  
part number  
    toner cartridge 62  
    whole-unit replacement 63  
parts 61  
    assemblies 0  
    cover locations 68  
    door locations 68  
    internal assembly locations 70  
    panel locations 68  
    screws 3  
pliers, required 3  
post-service tests 4  
preservice checklist 3  
print quality  
    test 4

## R

rear cover, removing 20  
rear door, removing 20  
removing parts  
    cautions for 2  
    checklists 3  
    duplex-paper-feed assembly  
        20  
    engine controller assembly 41  
    formatter PCA 48  
    front doors 22  
    fuser 28  
    left cover 13  
    order of 5  
    rear cover 20  
    rear door 20  
    right cover 17

- tools, required 3
- top cover 18
- replacing
  - duplexing-paper-feed assembly 31
  - main motor 37
  - paper-pickup-gear assembly 53
  - parts 2
- right cover, removing 17
- rollers, pickup and separation; removing 6

## S

- screwdrivers, required 3
- screws
  - replacing 2
- service
  - tools, required 3
- static precautions 2
- supplies
  - ordering 62

## T

- tests
  - post-service 4
  - print-quality 4
- tips iii
- toner cartridge
  - ordering 62
  - part number 62
- tools, required 3
- top cover, removing 18
- Tray 1 door, removing 22

## W

- warnings iii





CF286-90979

