



# Officejet Enterprise Color X555

## Officejet Enterprise Color MFP X585

### Repair Manual





[www.hp.com/support/ojcolorX555](http://www.hp.com/support/ojcolorX555)  
[www.hp.com/support/ojcolorMFPX585](http://www.hp.com/support/ojcolorMFPX585)

---

## 2 Parts and diagrams



**NOTE:** In this chapter, part numbers are listed only for available replaceable parts.

---

- [Order parts by authorized service providers](#)
- [How to use the parts lists and diagrams](#)
- [Assembly locations-X555 models](#)
- [Assembly locations-X585 models](#)
- [Covers, control panels, and doors-X555 models](#)
- [Covers, control panels, and doors-X585 models](#)
- [Internal assemblies-all models](#)
- [Scanner/document feeder assembly-X585 models](#)
- [Alphabetical parts list](#)
- [Numerical parts list](#)



# Order parts by authorized service providers

## Order replacement parts

**Table 2-1 Order parts, accessories, and supplies**

Order supplies	<a href="http://www.hp.com/go/suresupply">www.hp.com/go/suresupply</a> .
Order genuine HP parts or accessories	<a href="http://www.hp.com/buy/parts">www.hp.com/buy/parts</a>
Order through service or support providers	Contact an HP-authorized service or support provider.
Order using the HP Embedded Web Server (EWS)	To access, in a supported Web browser on your computer, enter the product IP address or host name in the address/URL field. The EWS contains a link to the HP SureSupply Web site, which provides options for purchasing Original HP supplies.

## Related documentation and software

**Table 2-2 Related documentation and software**

Item	Description	Part number
HP Officejet Enterprise Color X555 User Guide	Product user guide	<a href="#">C2S11-90904</a>
HP Officejet Enterprise Color MFP X585 User Guide		B5L04-90904
HP Officejet Enterprise Color X555 and MFP X585 Repair Manual	English repair manual (this manual)	
HP Officejet Enterprise Color X555 and MFP X585 Troubleshooting Manual	English troubleshooting manual	

## Supplies part numbers

The following supplies are available for the product.

**Table 2-3 Supplies part numbers**

Item	Part number	Product number	Cartridge number	Type/size
Ink cartridges	<a href="#">D8J10-67901</a>	<a href="#">D8J10A</a>	HP 980A	Standard-capacity black ink cartridge with HP Officejet pigment ink
	<a href="#">D8J07-67901</a>	<a href="#">D8J07A</a>	HP 980A	Standard-capacity cyan ink cartridge with HP Officejet pigment ink
	<a href="#">D8J09-67901</a>	<a href="#">D8J09A</a>	HP 980A	Standard-capacity yellow ink cartridge with HP Officejet pigment ink
	<a href="#">D8J08-67901</a>	<a href="#">D8J08A</a>	HP 980A	Standard-capacity magenta ink cartridge with HP Officejet pigment ink

**Table 2-3 Supplies part numbers (continued)**

Item	Part number	Product number	Cartridge number	Type/size
Ink collection unit	<a href="#">B5L04-67906</a>	<a href="#">B5L09A</a>		HP Officejet Enterprise ink collection unit and duplex module
Document feeder roller maintenance kit  (X585 models)	<a href="#">L2725-60002</a>	<a href="#">L2718A</a>		Replacement rollers for X585 document feeder



**NOTE:** For information about the yield for the cartridges, see [www.hp.com/go/pageyield](http://www.hp.com/go/pageyield). Actual yield depends on specific use.

Some ink cartridges might not be available in all countries/regions.

The following accessories are available for the product.

**Table 2-4 Product accessories**





Item	Part number	Product number	Description
Paper-handling accessory	<a href="#">B5L04-67923</a>	<a href="#">B5L07A</a>	HP Officejet Enterprise 500-sheet feeder and paper tray assembly (optional Tray 3)
Paper tray cassette	<a href="#">B5L04-67924</a>		HP Officejet Enterprise 500-sheet paper tray cassette (optional Tray 3)
Product cabinet and stand	<a href="#">B5L04-67925</a>	<a href="#">B5L08A</a>	HP Officejet Enterprise printer cabinet and stand
Network accessory	<a href="#">J8029-61001</a>	<a href="#">J8029A</a>	HP NFC/Wireless Direct Accessory
Fax accessory (X585)	<a href="#">A2W77-67910</a>	<a href="#">CC487A</a>	HP MFP Ana log Fax Accessory 500

models only)			
Wireless print server	<a href="#">J8026-61001</a>	<a href="#">J8026A</a>	USB wireless print server
USB cable	<a href="#">8121-0868</a>		2-meter A-to-B cable

## Customer self-repair parts

The following customer self-repair parts are available for the product.

Each kit includes parts and installation instructions. The customer self repair (CSR) level indicates the expected difficulty the customer will experience when replacing this part:

-   **A:** Easy
-   **B:** More difficult

**Table 2-5 Customer self-repair parts**

Item	Description	CSR level	Part number
Tray 2 cassette	500-sheet paper tray	A	<a href="#">B5L04-67911</a>



**Table 2-5 Customer self-repair parts (continued)**

<b>Item</b>	<b>Description</b>	<b>CSR level</b>	<b>Part number</b>
Ink collection unit	Waste ink collection unit and duplex module	A	<a href="#">B5L04-67906</a>
Output bin	Face-down output bin assembly	A	<a href="#">B5L04-67914</a>
Eject assembly flap	Output bin flap	B	<a href="#">B5L04-67913</a>
Control panel assembly-X555 models	Control panel assembly-X555 models	A	<a href="#">5851-5950</a>
Control panel assembly-X585 models	Control panel assembly-X585 models	A	<a href="#">5851-5952</a>
Control panel keyboard assembly, US English-X585 Flow models	Keyboard assembly for US English markets	A	<a href="#">5851-5380</a>
Control panel keyboard assembly, UK English-X585 Flow models	Keyboard assembly for UK English markets	A	<a href="#">5851-5008</a>
Control panel keyboard overlay kits-X585 Flow models	Keyboard overlay for the following languages: FR, IT, RU, DE, ES	A	5851-6019
	Keyboard overlay for the following languages: FR-CN, ES-LA, ES	A	5851-6020
	Keyboard overlay for the following languages: FR-SW, DE-SW, DA	A	5851-6021
	Keyboard overlay for the following languages: ZHTW, ZHCN	A	5851-6022
	Keyboard overlay for the following languages: ES, PT	A	<a href="#">5851-6023</a>
	Keyboard overlay for the following languages: JA-KG, JA-KT	A	5851-6024
Foam reflector-X585 models	Document feeder foam reflector	A	<a href="#">5851-6084</a>

Document feeder maintenance kit-X585 models	Feed rollers for document feeder	A	<a href="#">L2725-60002</a>
Document feeder separation pad spring kit-X585 models	Separation pad spring for document feeder	A	<a href="#">5851-4879</a>
e-Duplex selector assembly-X585 Flow models only	Selector for X585 Flow models	A	<a href="#">5851-5022</a>
Formatter PCA-X555 models	Formatter PCA for X555 models	B	<a href="#">C2S11-67904</a>
Formatter PCA, China only-X555 models	Formatter PCA for X555 models, China only	B	<a href="#">C2S11-67905</a>
Formatter PCA-X585 models	Formatter PCA for X585 models	B	<a href="#">B5L04-67908</a>
Formatter PCA, China only-X585 models	Formatter PCA for X585 models, China only	B	<a href="#">B5L04-67907</a>
Fax PCA-X585 models	HP LaserJet MFP Analog Fax Accessory 500	B	<a href="#">A2W77-67910</a>
Solid state memory (SSM)-X555 models	SSM drive	B	<a href="#">C2S11-67901</a>
Hard disk drive	Hard disk drive assembly	B	<a href="#">B5L04-67909</a>

**Table 2-5 Customer self-repair parts (continued)**

<b>Item</b>	<b>Description</b>	<b>CSR level</b>	<b>Part number</b>
Formatter access cover	Formatter access cover	A	<a href="#">B5L04-67926</a>
Left door assembly	Left door/Tray 1 assembly	B	<a href="#">B5L04-67916</a>
Left door strap, front	Left door front strap	B	<a href="#">CN598-67002</a>
Left door strap, rear	Left door rear strap	B	<a href="#">CN598-67003</a>
HIP cover-X555 models	Cover for X555 hardware integration pocket	B	<a href="#">C2S11-40005</a>
HIP cover-X585 models	Cover for X585 hardware integration pocket	B	<a href="#">5851-5361</a>
Control panel access cover-X555 models	Access cover for X555 control panel	A	<a href="#">CZ255-40004</a>
Control panel access cover-X585 models	Access cover for X585 control panel	A	<a href="#">5042-9118</a>
Control panel USB cover-X585 models	USB port cover for X585 control panel	A	<a href="#">5851-5360</a>

ENWW

Order parts by authorized service providers 67

## How to use the parts lists and diagrams

The figures in this chapter show the major subassemblies in the product and their component parts. A parts list table follows each exploded view assembly diagram. Each table lists the item number, the associated part number, and the description of each part. If a part is not listed in the table, then it is not a field replacement unit (FRU).



---

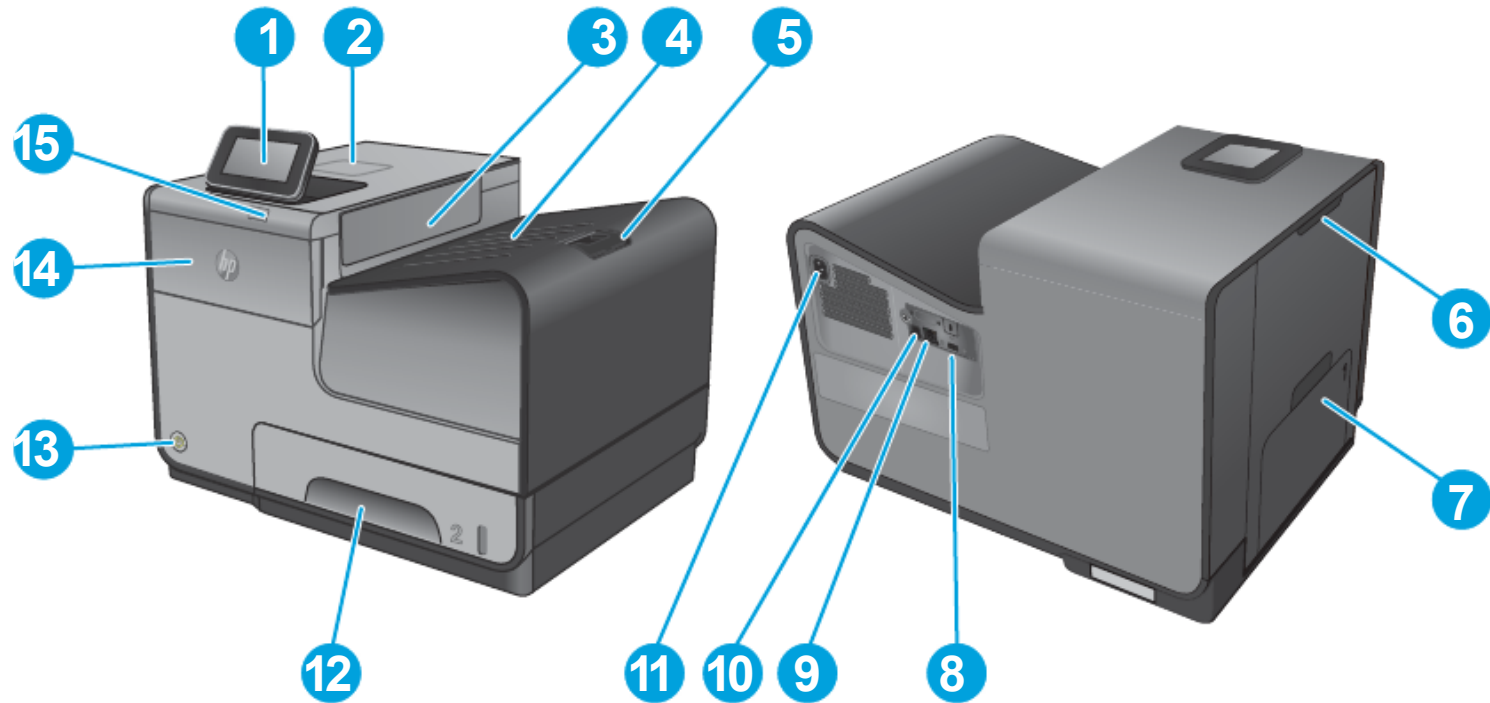
**NOTE:** In this manual, the abbreviation **PCA** stands for **printed circuit-board assembly**. Components described as a PCA might consist of a single circuit board or a circuit board plus other parts, such as cables and sensors.

---



# Assembly locations-X555 models

Figure 2-1 Assembly locations-X555 models



---

1	Color touchscreen control panel
2	Hardware integration pocket (HIP)

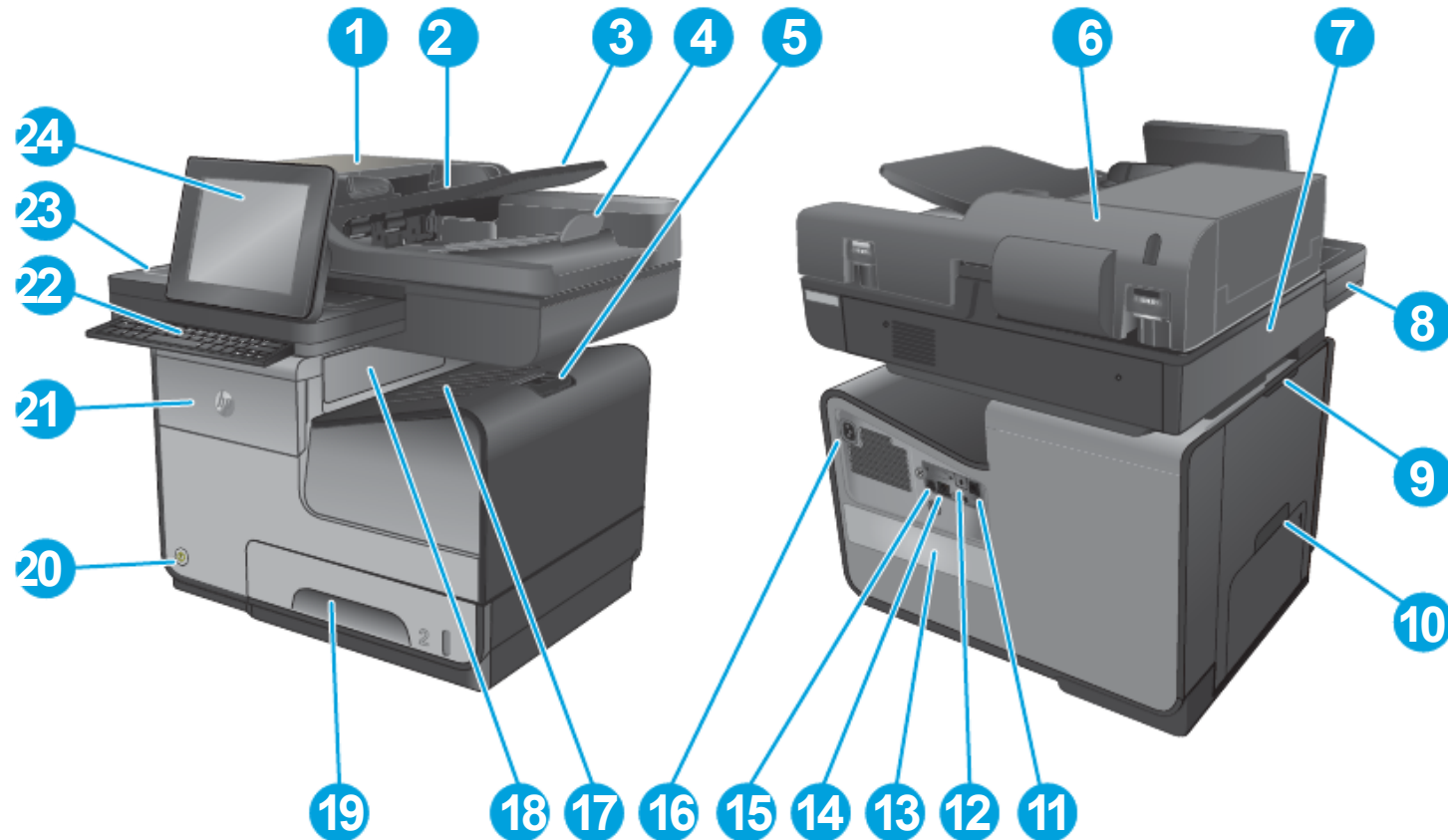
---

3	Eject assembly flap
4	Output bin
5	Output bin extension
6	Left door (access for clearing jams)
7	Tray 1 (Multi-purpose tray)
8	USB host port accepts USB storage devices for Plug and Print
9	Ethernet port
10	USB 2.0 port accepts a USB cable from a computer (alternative to network and wireless connections)
11	Power connection
12	Tray 2 (main paper tray)
13	On/off button
14	Ink cartridge door
15	Walkup USB port



# Assembly locations-X585 models

Figure 2-2 Assembly locations-X585 models



1	Document feeder cover (access for clearing jams)
2	Document feeder input tray
3	Document feeder input tray extension
4	Document feeder output bin
5	Output bin extension
6	Document feeder assembly

7	Scanner assembly
8	Walkup USB port
9	Left door (access for clearing jams)
10	Tray 1 (Multi-purpose tray)
11	Fax line port
12	USB host port accepts USB storage devices for Plug and Print
13	Foreign interface harness (FIH) port
14	Ethernet port
15	USB 2.0 port accepts a USB cable from a computer (alternative to network and wireless connections)
16	Power connection
17	Output bin
18	Eject assembly flap
19	Tray 2 (main paper tray)
20	On/off button

---

21	Ink cartridge door
22	Keyboard (X585 Flow models only)
23	Hardware integration pocket (HIP)
24	Color touchscreen control panel

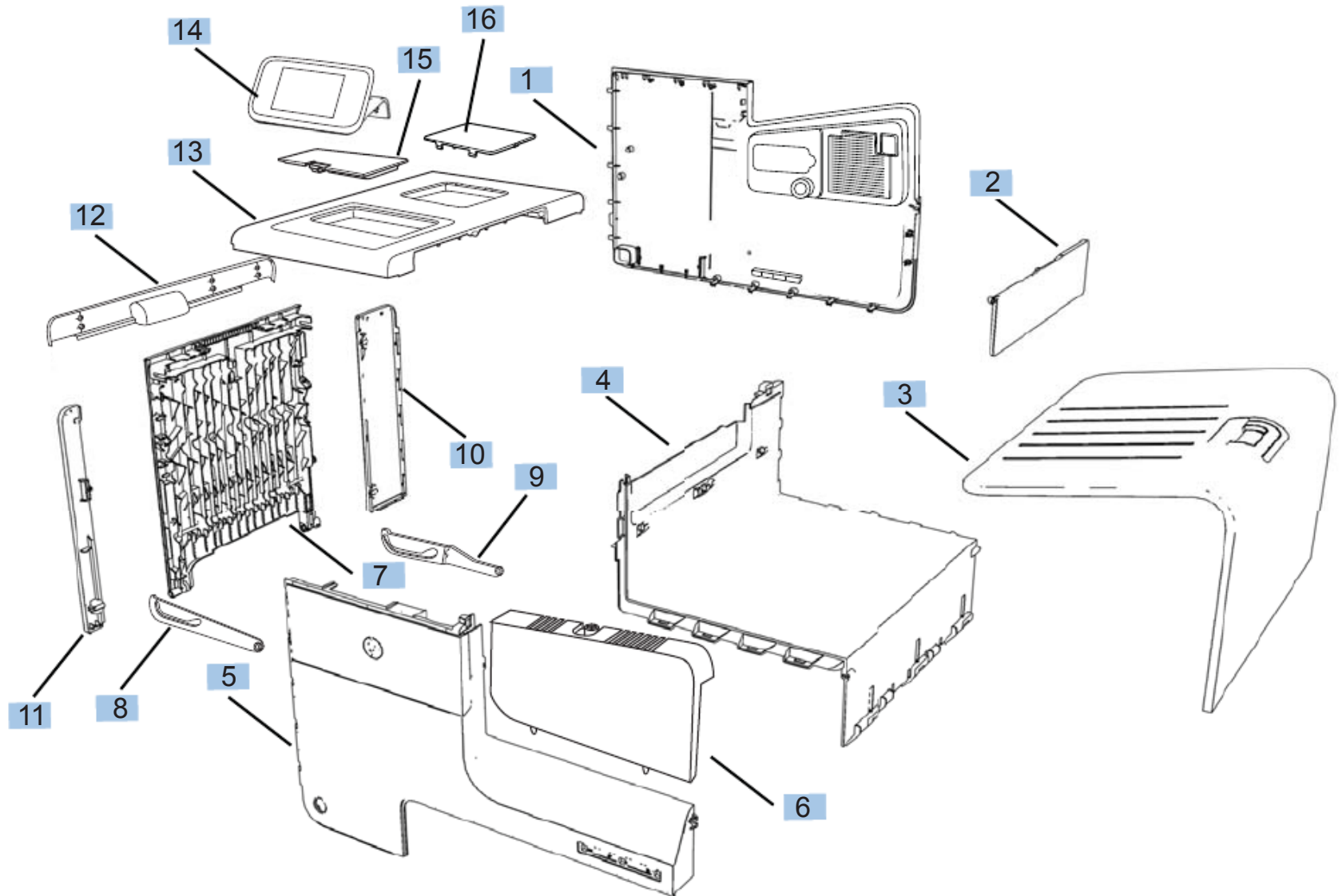
---

ENWW

Assembly locations-X585 models 71

# Covers, control panels, and doors-X555 models

Figure 2-3 Covers, control panels, and doors-X555 models





**Table 2-8 Covers, control panels, and doors-X555 models**

<b>Ref</b>	<b>Description</b>	<b>Part number</b>	<b>Qty</b>
1	Rear cover	<a href="#">B5L04-67915</a>	1
2	Eject assembly flap	<a href="#">B5L04-67913</a>	1
3	Output bin	<a href="#">B5L04-67914</a>	1
4	Right cover	<a href="#">B5L04-67920</a>	1
5	Front cover	B5L04- 67919	1
6	Formatter access cover	<a href="#">B5L04-67926</a>	1
7	Left door, tray 1 assembly	<a href="#">B5L04-67916</a>	1
8	Strap, left door, front	<a href="#">CN598-67002</a>	1
9	Strap, left door, rear	<a href="#">CN598-67003</a>	1
10	Left rear cover	<a href="#">B5L04-67918</a>	1
11	Left front cover	<a href="#">B5L04-67917</a>	1
12	Top cover cap	<a href="#">C2S11-67903</a>	1
13	Top cover	<a href="#">C2S11-67902</a>	1
14	Control panel	<a href="#">5851-5950</a>	1
15	Control panel access cover	<a href="#">CZ255-40004</a>	1
16	HIP cover	<a href="#">C2S11-40005</a>	1

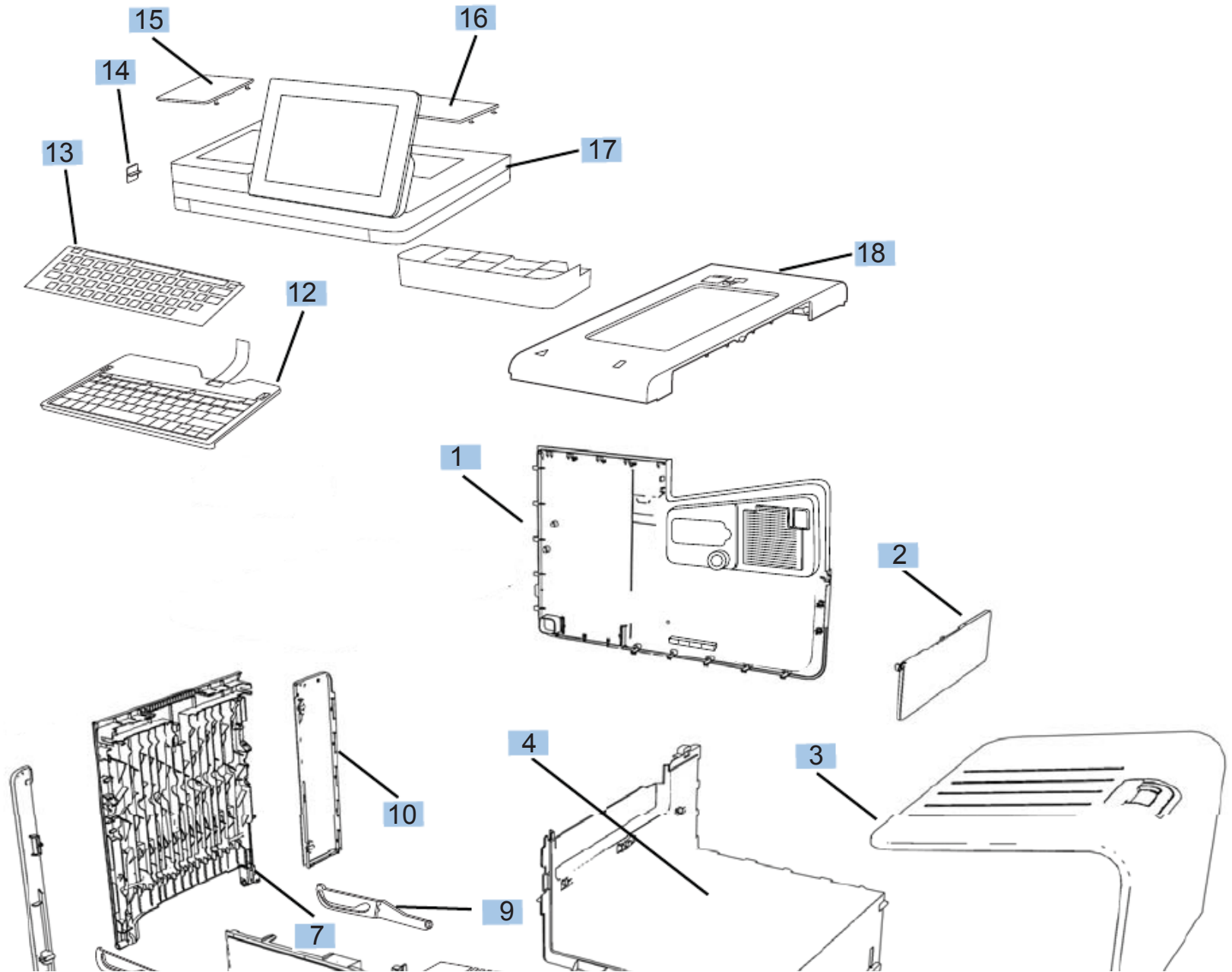
ENWW

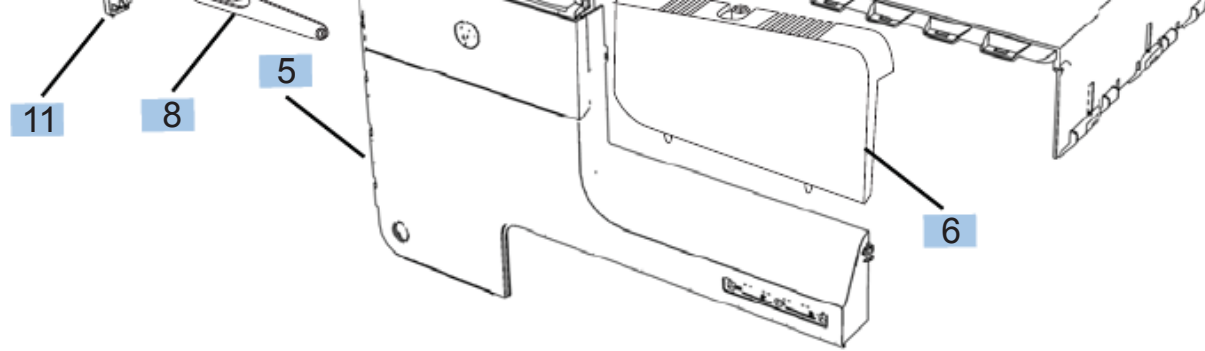
Covers, control panels, and doors-X555 models 73



# Covers, control panels, and doors-X585 models

Figure 2-4 Covers, control panels, and doors-X585 models





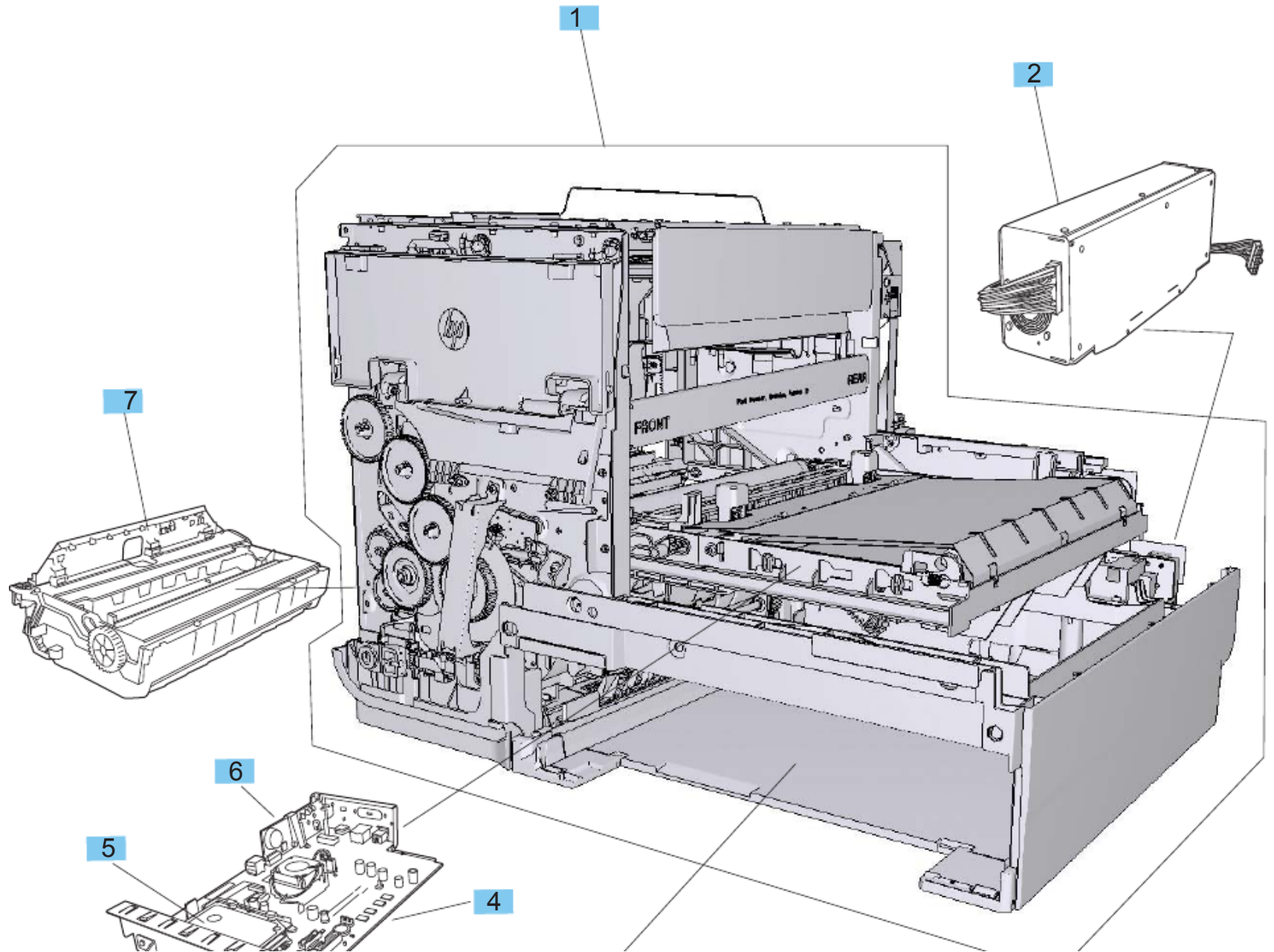
**Table 2-9 Covers, control panels, and doors-X585 models**

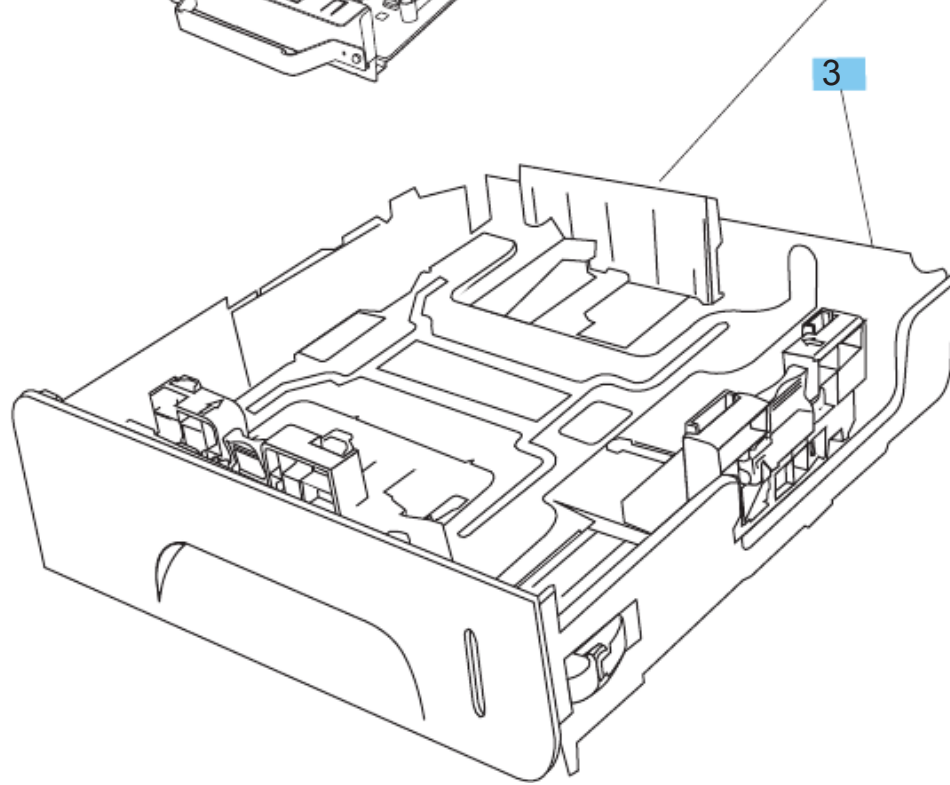
<b>Ref</b>	<b>Description</b>	<b>Part number</b>	<b>Qty</b>
1	Rear cover	<a href="#">B5L04-67915</a>	1
2	Eject assembly flap	<a href="#">B5L04-67913</a>	1
3	Output bin	<a href="#">B5L04-67914</a>	1
4	Right cover	<a href="#">B5L04-67920</a>	1
5	Front cover	B5L04- 67919	1
6	Formatter access cover	<a href="#">B5L04-67926</a>	1
7	Left door, tray 1 assembly	<a href="#">B5L04-67916</a>	1
8	Strap, left door, front	<a href="#">CN598-67002</a>	1
9	Strap, left door, rear	<a href="#">CN598-67003</a>	1
10	Left rear cover	<a href="#">B5L04-67918</a>	1
11	Left front cover	<a href="#">B5L04-67917</a>	1
12	US English keyboard (flow models)	<a href="#">5851-5380</a>	1
12	UK English keyboard (flow models)	<a href="#">5851-5008</a>	1
13	Keyboard overlay (flow models)-FR, IT, RU, DE, ES	<a href="#">5851-6019</a>	1
13	Keyboard overlay (flow models)-FR-CN, ES-LA, ES	<a href="#">5851-6020</a>	1
13	Keyboard overlay (flow models)-FR-SW, DE-SW, DA	<a href="#">5851-6021</a>	1
13	Keyboard overlay (flow models)-ZHTW,ZHCN	<a href="#">5851-6022</a>	1
13	Keyboard overlay (flow models)-ES, PT	<a href="#">5851-6023</a>	1
13	Keyboard overlay (flow models)-JA-KG, JA-KT	<a href="#">5851-6024</a>	1
14	Control panel USB cover	<a href="#">5851-5360</a>	1

15	HIP cover	<a href="#">5851-5361</a>	1
16	Control panel access cover	<a href="#">5042-9118</a>	1
17	Control panel assembly	<a href="#">5851-5952</a>	1
18	Top cover	<a href="#">B5L04-67921</a>	1

# Internal assemblies-all models

Figure 2-5 Internal assemblies





**Table 2-10 Internal assemblies**

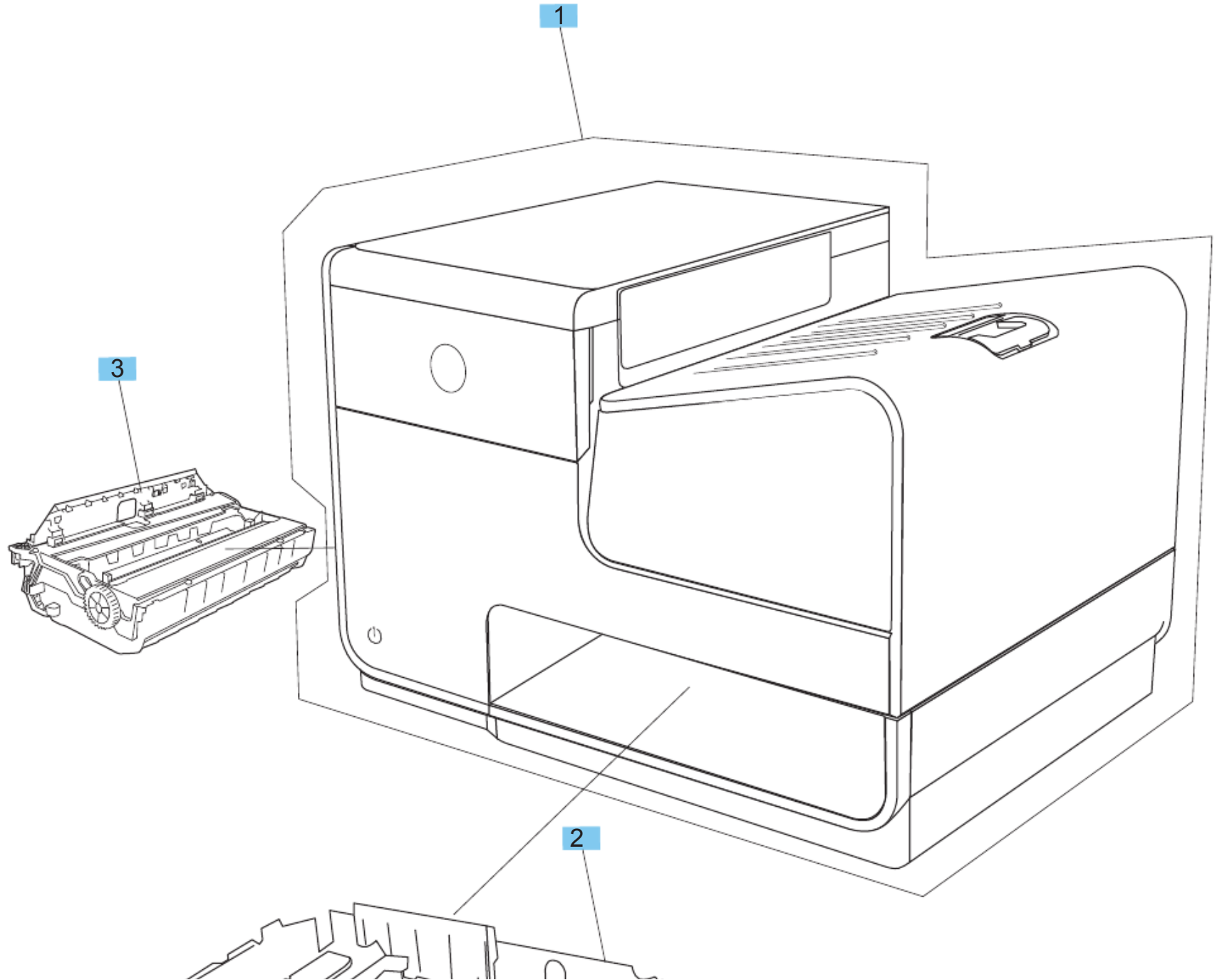
<b>Ref</b>	<b>Description</b>	<b>Part number</b>	<b>Qty</b>
1	Single-fuction print mechanism kit (X555 models)	<a href="#">C2S11-69001</a>	1
1	Multi-function print mechanism kit (X585 models)	<a href="#">B5L04-69001</a>	1
2	Power supply, universal 110V and 220V	<a href="#">B5L04-67910</a>	1
3	Tray 2 assembly	<a href="#">B5L04-67911</a>	1
4	Formatter PCA assembly, X555 models	<a href="#">C2S11-67904</a>	1
4	Formatter PCA assembly-China only, X555 models	<a href="#">C2S11-67905</a>	1
4	Formatter PCA assembly, X585 models	<a href="#">B5L04-67908</a>	1
4	Formatter PCA assembly-China only, X585 models	<a href="#">B5L04-67907</a>	1
5	Hard disk drive assembly	<a href="#">B5L04-67909</a>	1
5	Solid state drive (some X555 models only)	<a href="#">C2S11-67901</a>	1
6	Fax PCA (some X585 models only)	<a href="#">A2W77-67910</a>	1
7	Ink collection unit	<a href="#">B5L04-67906</a>	1

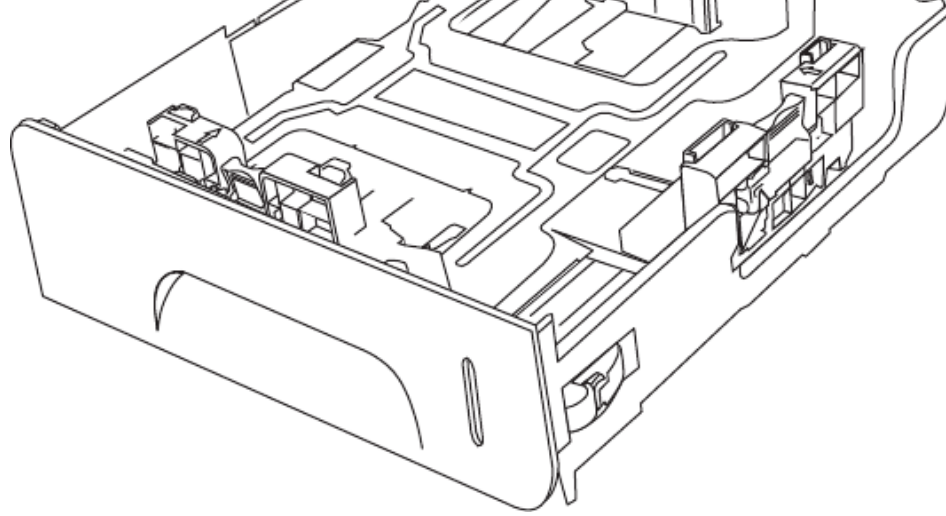
ENWW

Internal assemblies-all models 77



**Figure 2-6** Internal assemblies-print mechanism kit





**Table 2-11 Internal assemblies-print mechanism kit**

<b>Ref</b>	<b>Description</b>	<b>Part number</b>	<b>Qty</b>
1	Single function print mechanism kit	<a href="#">C2S11-69001</a>	1
1	Multifunction print mechanism kit	<a href="#">B5L04-69001</a>	1
2	Tray 2 assembly	<a href="#">B5L04-67911</a>	1
3	Ink collection unit	<a href="#">B5L04-67906</a>	1

1

The print mechanism kit illustration is for descriptive purposes, complete with covers, a new tray 2 assembly, and an ink collection unit. See the instructions included with the print mechanism kit for more repair detail.

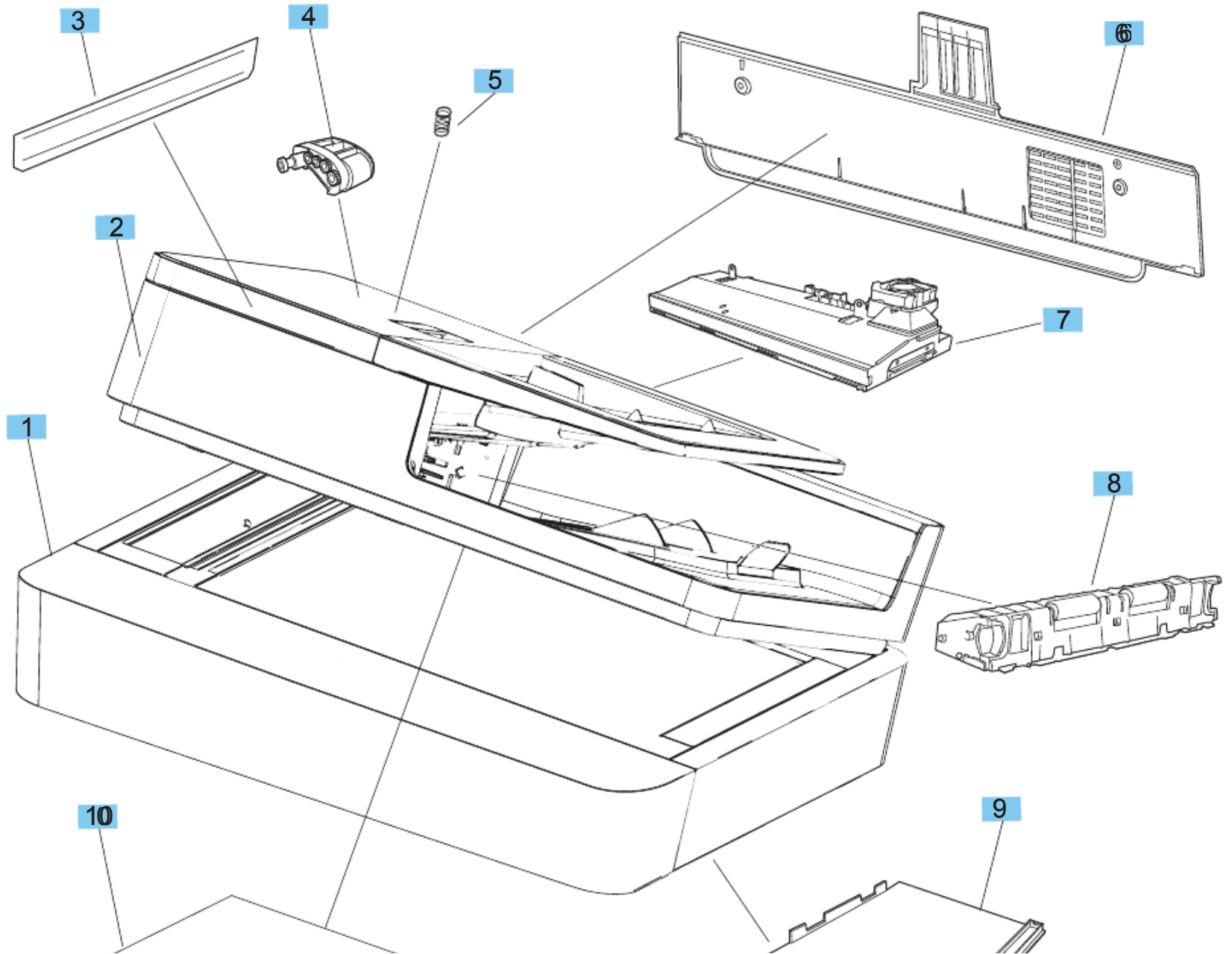
A new print mechanism kit comes

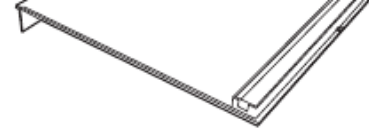
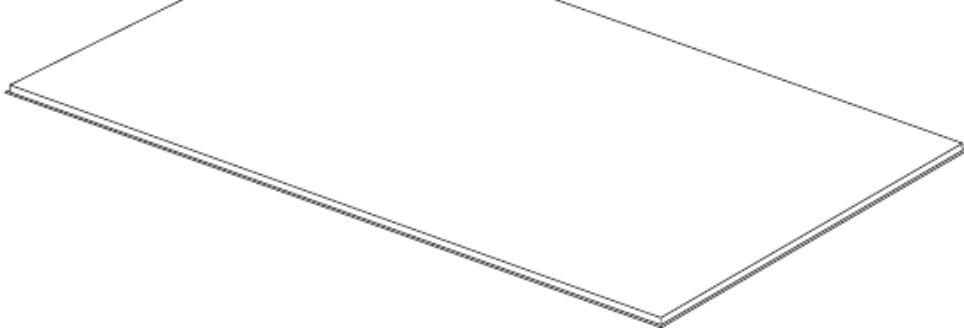
ENWW

Internal assemblies-all models 79

# Scanner/document feeder assembly-X585 models

Figure 2-7 Scanner/document feeder assembly-X585 models





**Table 2-12 Scanner/document feeder assembly-X585 models**

<b>Ref</b>	<b>Description</b>	<b>Part number</b>	<b>Qty</b>
1	Scanner assembly	<a href="#">B5L04-67903</a>	1
2	Automatic document feeder-standard	<a href="#">B5L04-67901</a>	1
2	Automatic document feeder-flow models	<a href="#">B5L04-67902</a>	1
3	Mylar kit	<a href="#">5851-4998</a>	1
4	Document feeder roller kit	<a href="#">L2725-60002</a>	1
5	Document feeder separation pad spring	<a href="#">5851-4879</a>	1
6	Scanner/document feeder rear cover	<a href="#">B5L04-67905</a>	1
7	Scanner control board PCA, standard models	<a href="#">B5L04-67904</a>	1
7	Scanner control board PCA, flow models	<a href="#">B5L06-67901</a>	1
8	Selector, document feeder e-duplex assembly (flow models only)	<a href="#">5851-5022</a>	1
9	Scanner/document feeder lower cover	<a href="#">B5L04-67922</a>	1
10	Document feeder foam reflector	<a href="#">5851-6084</a>	1

ENWW

Scanner/document feeder assembly-X585 models 81



# Alphabetical parts list

**Table 2-13 Alphabetical parts list**

<b>Description</b>	<b>Part number</b>	<b>Table and page</b>
Automatic document feeder-flow models	<a href="#">B5L04-67902</a>	<a href="#">Scanner/document feeder assembly-X585 models on page 81</a>
Automatic document feeder-standard	<a href="#">B5L04-67901</a>	<a href="#">Scanner/document feeder assembly-X585 models on page 81</a>
Control panel	<a href="#">5851-5950</a>	<a href="#">Covers, control panels, and doors-X555 models on page 73</a>
Control panel access cover	<a href="#">CZ255-40004</a>	<a href="#">Covers, control panels, and doors-X555 models on page 73</a>
Control panel access cover	<a href="#">5042-9118</a>	<a href="#">Covers, control panels, and doors-X585 models on page 75</a>
Control panel assembly	<a href="#">5851-5952</a>	<a href="#">Covers, control panels, and doors-X585 models on page 75</a>
Control panel USB cover	<a href="#">5851-5360</a>	<a href="#">Covers, control panels, and doors-X585 models on page 75</a>
Document feeder foam reflector	<a href="#">5851-6084</a>	<a href="#">Scanner/document feeder assembly-X585 models on page 81</a>
Document feeder roller kit	<a href="#">L2725-60002</a>	<a href="#">Scanner/document feeder assembly-X585 models on page 81</a>
Document feeder separation pad spring	<a href="#">5851-4879</a>	<a href="#">Scanner/document feeder assembly-X585 models on page 81</a>

Eject assembly flap	<a href="#">B5L04-67913</a>	<a href="#">Covers, control panels, and doors-X555 models on page 73</a>
Eject assembly flap	<a href="#">B5L04-67913</a>	<a href="#">Covers, control panels, and doors-X585 models on page 75</a>
Fax PCA (some X585 models only)	<a href="#">A2W77-67910</a>	<a href="#">Internal assemblies on page 77</a>
Formatter access cover	<a href="#">B5L04-67926</a>	<a href="#">Covers, control panels, and doors-X555 models on page 73</a>
Formatter access cover	<a href="#">B5L04-67926</a>	<a href="#">Covers, control panels, and doors-X585 models on page 75</a>
Formatter PCA assembly, X555 models	<a href="#">C2S11-67904</a>	<a href="#">Internal assemblies on page 77</a>
Formatter PCA assembly, X585 models	<a href="#">B5L04-67908</a>	<a href="#">Internal assemblies on page 77</a>
Formatter PCA assembly-China only, X555 models	<a href="#">C2S11-67905</a>	<a href="#">Internal assemblies on page 77</a>
Formatter PCA assembly-China only, X585 models	<a href="#">B5L04-67907</a>	<a href="#">Internal assemblies on page 77</a>
Front cover	<a href="#">B5L04-67919</a>	<a href="#">Covers, control panels, and doors-X555 models on page 73</a>

**Table 2-13 Alphabetical parts list (continued)**

<b>Description</b>	<b>Part number</b>	<b>Table and page</b>
Front cover	<a href="#">B5L04-67919</a>	<a href="#">Covers, control panels, and doors-X585 models on page 75</a>
Hard disk drive assembly	<a href="#">B5L04-67909</a>	<a href="#">Internal assemblies on page 77</a>
HIP cover	<a href="#">C2S11-40005</a>	<a href="#">Covers, control panels, and doors-X555 models on page 73</a>
HIP cover	<a href="#">5851-5361</a>	<a href="#">Covers, control panels, and doors-X585 models on page 75</a>
Ink collection unit	<a href="#">B5L04-67906</a>	<a href="#">Internal assemblies on page 77</a>
Ink collection unit	<a href="#">B5L04-67906</a>	<a href="#">Internal assemblies-print mechanism kit on page 79</a>
Keyboard overlay (flow models)-ES, PT	<a href="#">5851-6023</a>	<a href="#">Covers, control panels, and doors-X585 models on page 75</a>
Keyboard overlay (flow models)-FR, IT, RU, DE, ES	<a href="#">5851-6019</a>	<a href="#">Covers, control panels, and doors-X585 models on page 75</a>
Keyboard overlay (flow models)-FR-CN, ES-LA, ES	<a href="#">5851-6020</a>	<a href="#">Covers, control panels, and doors-X585 models on page 75</a>
Keyboard overlay (flow models)-FR-SW, DE-SW, DA	<a href="#">5851-6021</a>	<a href="#">Covers, control panels, and doors-X585 models on page 75</a>
Keyboard overlay (flow models)-JA-KG, JA-KT	<a href="#">5851-6024</a>	<a href="#">Covers, control panels, and doors-X585 models on page 75</a>
Keyboard overlay (flow models)-ZHTW, ZHCN	<a href="#">5851-6022</a>	<a href="#">Covers, control panels, and doors-X585 models on page 75</a>
Left door, tray 1 assembly	<a href="#">B5L04-67916</a>	<a href="#">Covers, control panels, and doors-X555 models on page 73</a>
Left door, tray 1 assembly	<a href="#">B5L04-67916</a>	<a href="#">Covers, control panels, and</a>

Left front cover	<a href="#">B5L04-67917</a>	<a href="#">doors-X585 models on page 75</a> <a href="#">Covers, control panels, and doors-X555 models on page 73</a>
Left front cover	<a href="#">B5L04-67917</a>	<a href="#">Covers, control panels, and doors-X585 models on page 75</a>
Left rear cover	<a href="#">B5L04-67918</a>	<a href="#">Covers, control panels, and doors-X555 models on page 73</a>
Left rear cover	<a href="#">B5L04-67918</a>	<a href="#">Covers, control panels, and doors-X585 models on page 75</a>
Multi-function print mechanism kit (X585 models)	<a href="#">B5L04-69001</a>	<a href="#">Internal assemblies on page 77</a>
Multifunction print mechanism kit	<a href="#">B5L04-69001</a>	<a href="#">Internal assemblies-print mechanism kit on page 79</a>
Mylar kit	<a href="#">5851-4998</a>	<a href="#">Scanner/document feeder assembly-X585 models on page 81</a>
Output bin	<a href="#">B5L04-67914</a>	<a href="#">Covers, control panels, and doors-X555 models on page 73</a>

**Table 2-13 Alphabetical parts list (continued)**

<b>Description</b>	<b>Part number</b>	<b>Table and page</b>
Output bin	<a href="#">B5L04-67914</a>	<a href="#">Covers, control panels, and doors-X585 models on page 75</a>
Power supply, universal 110V and 220V	<a href="#">B5L04-67910</a>	<a href="#">Internal assemblies on page 77</a>
Rear cover	<a href="#">B5L04-67915</a>	<a href="#">Covers, control panels, and doors-X555 models on page 73</a>
Rear cover	<a href="#">B5L04-67915</a>	<a href="#">Covers, control panels, and doors-X585 models on page 75</a>
Right cover	<a href="#">B5L04-67920</a>	<a href="#">Covers, control panels, and doors-X555 models on page 73</a>
Right cover	<a href="#">B5L04-67920</a>	<a href="#">Covers, control panels, and doors-X585 models on page 75</a>
Scanner assembly	<a href="#">B5L04-67903</a>	<a href="#">Scanner/document feeder assembly-X585 models on page 81</a>
Scanner control board PCA, flow models	<a href="#">B5L06-67901</a>	<a href="#">Scanner/document feeder assembly-X585 models on page 81</a>
Scanner control board PCA, standard models	<a href="#">B5L04-67904</a>	<a href="#">Scanner/document feeder assembly-X585 models on page 81</a>
Scanner/document feeder lower cover	<a href="#">B5L04-67922</a>	<a href="#">Scanner/document feeder assembly-X585 models on page 81</a>
Scanner/document feeder rear cover	<a href="#">B5L04-67905</a>	<a href="#">Scanner/document feeder assembly-X585 models on page 81</a>

Selector, document feeder e-duplex assembly (flow models only)	<a href="#">5851-5022</a>	<a href="#">Scanner/document feeder assembly-X585 models—on page 81</a>
Single function print mechanism kit <sup>1</sup>	<a href="#">C2S11-69001</a>	<a href="#">Internal assemblies-print mechanism kit on page 79</a>
Single-fuction print mechanism kit (X555 models)	<a href="#">C2S11-69001</a>	<a href="#">Internal assemblies on page 77</a>
Solid state drive (some X555 models only)	<a href="#">C2S11-67901</a>	<a href="#">Internal assemblies on page 77</a>
Strap, left door, front	<a href="#">CN598-67002</a>	<a href="#">Covers, control panels, and doors-X555 models on page 73</a>
Strap, left door, front	<a href="#">CN598-67002</a>	<a href="#">Covers, control panels, and doors-X585 models on page 75</a>
Strap, left door, rear	<a href="#">CN598-67003</a>	<a href="#">Covers, control panels, and doors-X555 models on page 73</a>
Strap, left door, rear	<a href="#">CN598-67003</a>	<a href="#">Covers, control panels, and doors-X585 models on page 75</a>
Top cover	<a href="#">C2S11-67902</a>	<a href="#">Covers, control panels, and doors-X555 models on page 73</a>

**Table 2-13** Alphabetical parts list (continued)

<b>Description</b>	<b>Part number</b>	<b>Table and page</b>
Top cover	<a href="#">B5L04-67921</a>	<a href="#">Covers, control panels, and doors-X585 models on page 75</a>
Top cover cap	<a href="#">C2S11-67903</a>	<a href="#">Covers, control panels, and doors-X555 models on page 73</a>
Tray 2 assembly	<a href="#">B5L04-67911</a>	<a href="#">Internal assemblies on page 77</a>
Tray 2 assembly	<a href="#">B5L04-67911</a>	<a href="#">Internal assemblies-print mechanism kit on page 79</a>
UK English keyboard (flow models)	<a href="#">5851-5008</a>	<a href="#">Covers, control panels, and doors-X585 models on page 75</a>
US English keyboard (flow models)	<a href="#">5851-5380</a>	<a href="#">Covers, control panels, and doors-X585 models on page 75</a>

ENWW

Alphabetical parts list 85



# Numerical parts list

**Table 2-14 Numerical parts list**

<b>Part number</b>	<b>Description</b>	<b>Table and page</b>
<a href="#">5042-9118</a>	Control panel access cover	<a href="#">Covers, control panels, and doors-X585 models on page 75</a>
<a href="#">5851-4879</a>	Document feeder separation pad spring	<a href="#">Scanner/document feeder assembly-X585 models on page 81</a>
<a href="#">5851-4998</a>	Mylar kit	<a href="#">Scanner/document feeder assembly-X585 models on page 81</a>
<a href="#">5851-5008</a>	UK English keyboard (flow models)	<a href="#">Covers, control panels, and doors-X585 models on page 75</a>
<a href="#">5851-5022</a>	Selector, document feeder e-duplex assembly (flow models only)	<a href="#">Scanner/document feeder assembly-X585 models on page 81</a>
<a href="#">5851-5360</a>	Control panel USB cover	<a href="#">Covers, control panels, and doors-X585 models on page 75</a>
<a href="#">5851-5361</a>	HIP cover	<a href="#">Covers, control panels, and doors-X585 models on page 75</a>
<a href="#">5851-5380</a>	US English keyboard (flow models)	<a href="#">Covers, control panels, and doors-X585 models on page 75</a>
<a href="#">5851-5950</a>	Control panel	<a href="#">Covers, control panels, and doors-X555 models on page 73</a>
<a href="#">5851-5952</a>	Control panel assembly	<a href="#">Covers, control panels, and doors-X585 models on page 75</a>
<a href="#">5851-6019</a>	Keyboard overlay (flow models)-FR, IT, RU, DE, ES	<a href="#">Covers, control panels, and</a>

<a href="#">5851-6020</a>	Keyboard overlay (flow mode ls)-FR-CN, ES-LA, ES	<a href="#">doors-X585 models on page 75</a>
<a href="#">5851-6021</a>	Keyboard overlay (flow mode ls)-FR-SW, DE-SW, DA	<a href="#">Covers, control panels, and doors-X585 models on page 75</a>
<a href="#">5851-6022</a>	Keyboard overlay (flow mode ls)-ZHTW, ZHCN	<a href="#">Covers, control panels, and doors-X585 models on page 75</a>
<a href="#">5851-6023</a>	Keyboard overlay (flow models)-ES, PT	<a href="#">Covers, control panels, and doors-X585 models on page 75</a>
<a href="#">5851-6024</a>	Keyboard overlay (flow models)-JA-KG, JA-KT	<a href="#">Covers, control panels, and doors-X585 models on page 75</a>
<a href="#">5851-6084</a>	Document feeder foam reflector	<a href="#">Scanner/document feeder assembly-X585 models on page 81</a>
<a href="#">A2W77-67910</a>	Fax PCA (some X585 models only)	<a href="#">on page internal assemblies 77</a>
<a href="#">B5L04-67901</a>	Automatic document feeder-standard	<a href="#">Scanner/document feeder assembly-X585 models on page 81</a>

**Table 2-14 Numerical parts list (continued)**

<b>Part number</b>	<b>Description</b>	<b>Table and page</b>
<a href="#">B5L04-67902</a>	Automatic document feeder-flow models	<a href="#">Scanner/document feeder assembly-X585 models on page 81</a>
<a href="#">B5L04-67903</a>	Scanner assembly	<a href="#">Scanner/document feeder assembly-X585 models on page 81</a>
<a href="#">B5L04-67904</a>	Scanner control board PCA, standard models	<a href="#">Scanner/document feeder assembly-X585 models on page 81</a>
<a href="#">B5L04-67905</a>	Scanner/document feeder rear cover	<a href="#">Scanner/document feeder assembly-X585 models on page 81</a>
<a href="#">B5L04-67906</a>	Ink collection unit	<a href="#">Internal assemblies on page 77</a>
<a href="#">B5L04-67906</a>	Ink collection unit	<a href="#">Internal assemblies-print mechanism kit on page 79</a>
<a href="#">B5L04-67907</a>	Formatter PCA assembly-China only, X585 models	<a href="#">Internal assemblies on page 77</a>
<a href="#">B5L04-67908</a>	Formatter PCA assembly, X585 models	<a href="#">Internal assemblies on page 77</a>
<a href="#">B5L04-67909</a>	Hard disk drive assembly	<a href="#">Internal assemblies on page 77</a>
<a href="#">B5L04-67910</a>	Power supply, universal 110V and 220V	<a href="#">Internal assemblies on page 77</a>
<a href="#">B5L04-67911</a>	Tray 2 assembly	<a href="#">Internal assemblies on page 77</a>
<a href="#">B5L04-67911</a>	Tray 2 assembly	<a href="#">Internal assemblies-print mechanism kit on page 79</a>
<a href="#">B5L04-67913</a>	Eject assembly flap	<a href="#">Covers, control panels, and doors-X555 models on page 73</a>
<a href="#">B5L04-67913</a>	Eject assembly flap	<a href="#">Covers, control panels, and</a>

<a href="#">B5L04-67914</a>	Output bin	<a href="#">doors-X585 models on page 75</a>
<a href="#">B5L04-67914</a>	Output bin	<a href="#">Covers, control panels, and doors-X555 models on page 73</a>
<a href="#">B5L04-67915</a>	Rear cover	<a href="#">Covers, control panels, and doors-X585 models on page 75</a>
<a href="#">B5L04-67915</a>	Rear cover	<a href="#">Covers, control panels, and doors-X555 models on page 73</a>
<a href="#">B5L04-67916</a>	Left door, tray 1 assembly	<a href="#">Covers, control panels, and doors-X585 models on page 75</a>
<a href="#">B5L04-67916</a>	Left door, tray 1 assembly	<a href="#">Covers, control panels, and doors-X555 models on page 73</a>
<a href="#">B5L04-67917</a>	Left front cover	<a href="#">Covers, control panels, and doors-X585 models on page 75</a>
<a href="#">B5L04-67917</a>	Left front cover	<a href="#">Covers, control panels, and doors-X555 models on page 73</a>

**Table 2-14 Numerical parts list (continued)**

<b>Part number</b>	<b>Description</b>	<b>Table and page</b>
<a href="#">B5L04-67918</a>	Left rear cover	<a href="#">Covers, control panels, and doors-X555 models on page 73</a>
<a href="#">B5L04-67918</a>	Left rear cover	<a href="#">Covers, control panels, and doors-X585 models on page 75</a>
<a href="#">B5L04-67919</a>	Front cover	<a href="#">Covers, control panels, and doors-X555 models on page 73</a>
<a href="#">B5L04-67919</a>	Front cover	<a href="#">Covers, control panels, and doors-X585 models on page 75</a>
<a href="#">B5L04-67920</a>	Right cover	<a href="#">Covers, control panels, and doors-X555 models on page 73</a>
<a href="#">B5L04-67920</a>	Right cover	<a href="#">Covers, control panels, and doors-X585 models on page 75</a>
<a href="#">B5L04-67921</a>	Top cover	<a href="#">Covers, control panels, and doors-X585 models on page 75</a>
<a href="#">B5L04-67922</a>	Scanner/document feeder lower cover	<a href="#">Scanner/document feeder assembly-X585 models on page 81</a>
<a href="#">B5L04-67926</a>	Formatter access cover	<a href="#">Covers, control panels, and doors-X555 models on page 73</a>
<a href="#">B5L04-67926</a>	Formatter access cover	<a href="#">Covers, control panels, and doors-X585 models on page 75</a>
<a href="#">B5L04-69001</a>	Multi-function print mechanism kit (X585 models)	<a href="#">Internal assemblies on page 77</a>
<a href="#">B5L04-69001</a>	Multifunction print mechanism kit	<a href="#">Internal assemblies-print mechanism kit on page 79</a>
<a href="#">B5L06-67901</a>	Scanner control board PCA, flow models	<a href="#">Scanner/document feeder</a>

<a href="#">C2S11-40005</a>	HIP cover	<a href="#">assembly-X585 models on page 81</a> <a href="#">Covers, control panels, and doors-X555 models on page 73</a>
<a href="#">C2S11-67901</a>	Solid state drive (some X555 models only)	<a href="#">Internal assemblies on page 77</a>
<a href="#">C2S11-67902</a>	Top cover	<a href="#">Covers, control panels, and doors-X555 models on page 73</a>
<a href="#">C2S11-67903</a>	Top cover cap	<a href="#">Covers, control panels, and doors-X555 models on page 73</a>
<a href="#">C2S11-67904</a>	Formatter PCA assembly, X555 models	<a href="#">Internal assemblies on page 77</a>
<a href="#">C2S11-67905</a>	Formatter PCA assembly-China only, X555 models	<a href="#">Internal assemblies on page 77</a>
<a href="#">C2S11-69001</a>	Single-fuction print mechanism kit (X555 models)	<a href="#">Internal assemblies on page 77</a>
<a href="#">C2S11-69001</a>	Single function print mechanism kit	<a href="#">Internal assemblies-print mechanism kit on page 79</a>
<a href="#">CN598-67002</a>	St rap, left door, front	<a href="#">Covers, control panels, and doors-X555 models on page 73</a>
<a href="#">CN598-67002</a>	St rap, left door, front	<a href="#">Covers, control panels, and doors-X585 models on page 75</a>

**Table 2-14 Numerical parts list (continued)**

<b>Part number</b>	<b>Description</b>	<b>Table and page</b>
<a href="#">CN598-67003</a>	Strap, left door, rear	<a href="#">Covers, control panels, and doors-X555 models on page 73</a>
<a href="#">CN598-67003</a>	Strap, left door, rear	<a href="#">Covers, control panels, and doors-X585 models on page 75</a>
<a href="#">CZ255-40004</a>	Control panel access cover	<a href="#">Covers, control panels, and doors-X555 models on page 73</a>
<a href="#">L2725-60002</a>	Document feeder roller kit	<a href="#">Scanner/document feeder assembly-X585 models on page 81</a>

ENWW

Numerical parts list 89





