

Lexmark C500n



A high-quality,
affordable color laser
printer for small or home offices

LEXMARKTM

Lexmark C500n



- Fuser and photodeveloper are rated to last the life of the printer
- 1200 x 600 dpi delivers stunning color images and graphics fast
- Front access toner and paper loading is easy, fast
- Wireless capability adds flexibility to your office

Lexmark C500n

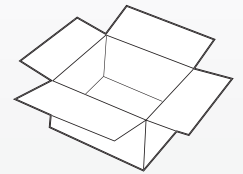
Product Specifications

Part Number	22R0010
Product Class	Small office color laser printer
Speed	Black: Up to 31 ppm Color: Up to 8 ppm
Resolution	1200 x 600 dpi
Time to First Page	Black: Up to 13 seconds Color: Up to 19 seconds
Processor	200 MHz
Memory (std./max.)	64MB/64MB
Connectivity	
Standard	USB, Ethernet
Optional	Wireless, Gigabit Ethernet
Network Mgmt. Utility	MarkVision Professional
Operating Systems	Microsoft Windows, Mac OS 9.x, 10.x For a complete list, visit www.lexmark.com.
Printer Languages	Host-based
Fonts	Via host
Size (WxDxH)	18.9 in. x 16.5 in. x 15.2 in. (480 mm x 420 mm x 385 mm)
Weight	66 lb. (29 kg)
Acoustics	50 dBA printing; 41 dBA idle
Duty Cycle	Up to 35,000 pages per month
Warranty	1-year Onsite Repair

Media Specifications

Paper Capacity (sheets)	
Standard Input	250
Maximum Input	780 (250 + 530)
Output	250
Paper Sources	
Standard Input	1
Maximum Input	2
Output	1
Media Types	Plain paper, card stock, glossy paper ¹ , envelopes, labels, transparencies
Media Sizes	Letter, A4, A5, JIS B5, legal, executive, folio, statement, universal (4.125 in. x 8.27 in. to 8.5 in. x 14 in.), envelopes (9, COM 10, DL, C5, B5)
Media Weights	Plain paper: 16-24 lb. (60-90 g/m ²). Card stock: 43-55 lb. (163-210 g/m ²)

In the Box



Lexmark C500n

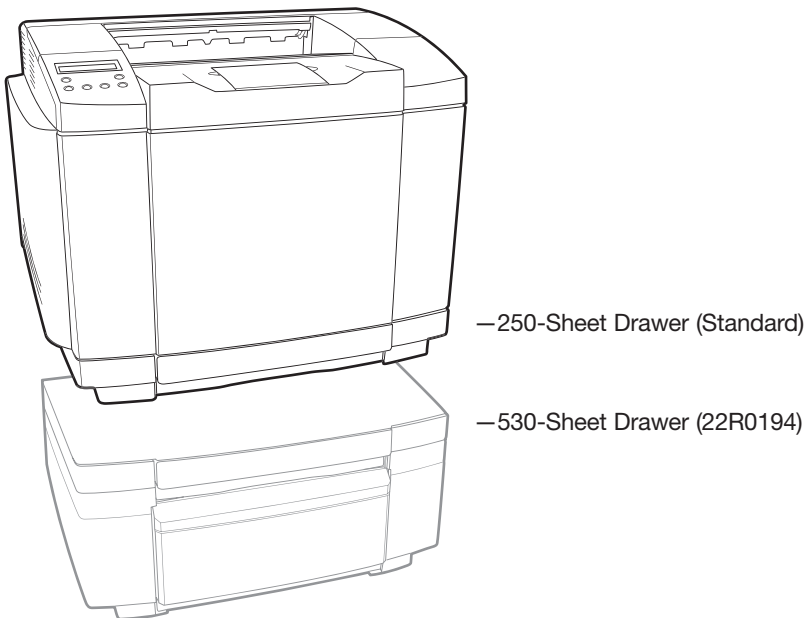
- Lexmark C500n
- 1,000-page Cyan, Magenta, Yellow and Black Starter Toner Cartridges
- Photodeveloper Cartridge
- Waste Toner Bottle
- Drivers & Publications CD
- Power Cord

Lexmark C500n

Supplies & Accessories

Supplies	5,000-page Black High Yield Toner Cartridge ²	C500H2KG
	3,000-page Cyan High Yield Toner Cartridge ²	C500H2CG
	3,000-page Yellow High Yield Toner Cartridge ²	C500H2YG
	3,000-page Magenta High Yield Toner Cartridge ²	C500H2MG
	2,500-page Black Toner Cartridge ²	C500S2KG
	1,500-page Cyan Toner Cartridge ²	C500S2CG
	1,500-page Yellow Toner Cartridge ²	C500S2YG
	1,500-page Magenta Toner Cartridge ²	C500S2MG
	Photodeveloper Cartridge (up to 120,000 images) ³	C500X26G
	Waste Toner Bottle (up to 30,000 images) ³	C500X27G
110v Fuser Unit (up to 60,000 pages) ³	C500X28G	

Paper Handling Options



Additional Information

¹ Use Lexmark glossy paper (12A5950) only.

² Yield is based on approximately 5% print coverage per color.

³ Actual number of pages or images will vary depending on individual customer usage.

Options not pictured:

250 Sheet Legal Tray (22R0195)

Lexmark C500n

Additional Accessories

Connectivity	MarkNet N7020e Gigabit Ethernet External Print Server ¹	14T0220
	N4050e 802.11g Wireless Print Server ¹	14T0145
	802.11g Wireless Print Adapter ²	1010042
Cables	6-foot USB Cable	1021294
Media	Transparencies (letter)	12A8240
	Glossy Paper (letter)	12A5950

¹ Requires USB connection

² Requires Ethernet connection

