

Lexmark C540 Series

Lexmark C540n Lexmark C543dn Lexmark C544 models Lexmark C546dtn



PRINT



DUPLEX



UP TO 23 PPM COLOUR



NETWORK



UP TO 23 PPM BLACK



Small and smart design,
big-business colour!



LEXMARK

Print Less. Save More.

Print less? This may seem like a surprising message for a company dedicated solely to printing. But when you consider that businesses spend on average up to 6% of their revenue on printing and that active print management can cut office print costs by up to 30%¹, it makes a lot of sense. Lexmark products, solutions and services provide innovative ways to save you time, drive down costs and reduce your impact on the environment. We are committed to helping you print less and save more.

¹ Source: InfoTrends/CapVentures, Network Document Solutions Forecast 2007-2012, Network Document Solutions Consulting Service, August 2008

Ultra-compact and very quiet, the Lexmark C540 Series offers you true 1200 x 1200 dpi colour printing to energise your business documents, plus rapid print speed. Save even more when you enroll in Lexmark Rewards!



Convenience by your side

Make a big impact on your business with a colour printer that is genuinely desktop-friendly. With their small, attractive new design and quiet operation, Lexmark C540 Series colour lasers will be welcome additions to your desktop or small workgroup.

- Exceptionally tiny footprint and low profile
- As quiet as 47 dBA while printing; reduce sound even more with Quiet Mode
- Sleek, innovative desktop-friendly design
- Built-in networking on all models so you can easily share the benefits of colour



Reap the benefits of productivity

The Lexmark C540 Series gives you a rapid first-page-out and races through your print runs at blazing speeds. What's more, these printers offer you the versatility you need to keep up with your demanding office printing needs.

- First page out as fast as 11 seconds with instant warm-up fuser
- PCL 6 and PostScript 3 emulations ensure compatibility with your application software
- Duplex printing models, now available at an attractive price
- 100-sheet multipurpose feeder and 550-sheet main tray are combined in one unique Duo Drawer option



Shake-free cartridges

Toner cartridges never require shaking to deliver their full declared yield



Intuitive management

Manage configuration settings via control panel, Web interface or Lexmark network-management tools (MarkVision Professional)



PC-free printing

Print image files directly from a USB Flash drive or PictBridge-enabled camera (C544 models and C546dtn)



Simple sharing

Very easy to set up and share with built-in network printing (wireless model: C544dw)



Brighten up your business and your image

Add professional colour to your documents. Lexmark gives you the tools to control colour output and puts its colour expertise to work for you so all your brochures, reports and graphics come out vivid and accurate to the finest details.

- Vibrant print quality: true 1200 x 1200 dpi resolution
- New generation Lexmark toner for colour quality and consistency
- Consistent colour tones with professional PANTONE® calibration
- Colour-control tools: coverage estimator and ColorSaver™ mode
- Lexmark High Yield and Extra High Yield Toner Cartridges cut printing costs to a minimum

Eco-responsible printing

Printing responsibly means everyone wins – your business, your budget and the environment. Lexmark's C540 Series is eco-designed and comes with a vast range of features to help you print greener at every level.

- Paper-saving built-in duplex printing models available
- Eco-Mode reduces power consumption
- Lets you print multiple pages per sheet
- Instant warm-up fuser saves energy
- Free recycling of your empty toner cartridges through Cartridges 4 Planet Ark Program



Simplicity in a snapshot!



Lexmark Supplies Your printer's best friend

How do you make sure your Lexmark printer always gives you outstanding results? By using genuine Lexmark supplies. Lexmark printers and supplies are designed to perform together as one system, protecting your investment and delivering excellent print quality from first page to last.

Lexmark supplies help protect the environment too. Using Lexmark High Yield Toner Cartridges conserves resources by reducing the number of cartridges you use over the life of your printer.

Lexmark practices zero landfill for cartridges, reusing or recycling 100% of all returns free of charge. Learn more: www.lexmark.com/recycle

Get exactly the performance you need



Lexmark C540n

A great colour value for your small office

- Up to 21 ppm printing in black and colour
- Rapid first-page-out
- High-speed USB 2.0 and Fast Ethernet
- PCL 6 and PostScript 3 emulations
- True 1200 x 1200 dpi colour print quality
- Recommended monthly volume: 500 to 1,500 pages



Lexmark C543dn

All the features of the Lexmark C540n plus

- Built-in duplex for two-sided printing
- Ships with Lexmark High Yield Return Program Toner Cartridges (up to 2,500*-page black and 2,000*-page colour)
- Recommended Monthly Page Volume: 500 - 1,500 pages



Lexmark C544 models

Outstanding colour performance and value for your workgroup

- Fast printing up to 23 ppm in black and colour
- Lexmark Extra High Yield Toner Cartridges available (6,000*-page black, 4,000*-page colour)
- Direct USB port for walk-up printing
- Recommended monthly volume: 800 to 3,000 pages

Configurations available: Lexmark C544dn, Lexmark C544dw
*Wireless model not available in all countries.



Lexmark C546dtn

Fully loaded colour performance for your workgroup

- Fast printing up to 23 ppm in black and colour
- Ships with 4,000*-page black and colour toner cartridges and a Duo Drawer
- 1,450-sheet maximum input capacity (with optional 550-sheet drawer)
- Lexmark Extra High Yield Toner Cartridges available (8,000*-page black, 4,000*-page colour)
- Recommended monthly volume: 1,000 to 4,000 pages

	Lexmark C540n	Lexmark C543dn	Lexmark C544n	Lexmark C546dtn
Printing				
Print Technology	Colour Laser			
Print Speed (A4, Black): Up to	20 ppm	20 ppm	23 ppm	23 ppm
Print Speed (A4, Colour): Up to	20 ppm	20 ppm	23 ppm	23 ppm
Time to First Page (Black)	As fast as 12 seconds	As fast as 12 seconds	As fast as 11 seconds	As fast as 11 seconds
Time to First Page (Colour)	As fast as 13 seconds	As fast as 12 seconds	As fast as 12 seconds	As fast as 12 seconds
Print Resolution, Black	1200 x 1200 dpi, 4800 Colour Quality (1200 x 600 dpi)			
Print Resolution, Colour	1200 x 1200 dpi, 4800 Colour Quality (1200 x 600 dpi)			
Memory, Standard	128 MB	128 MB	128 MB	256 MB
Memory, Maximum	640 MB	640 MB	640 MB	640MB (Replacement required)
Print Noise Level, Operating	47 dBA	47 dBA	49 dBA	49 dBA
Noise Level, Idle	inaudible dBA			
Maximum Monthly Duty Cycle: Up to	35,000 pages per month	35,000 pages per month	55,000 pages per month	55,000 pages per month
Recommended Monthly Page Volume	500 - 1,500 pages	500 - 1,500 pages	800 - 3,000 pages	1,000 - 4,000 pages
Supplies				
Supplies Yield (*Average continuous black or continuous composite CMY declared cartridge yield up to this number of standard pages in accordance with ISO/IEC 19798.)	1,000*-page colour Toner Cartridges (CMY), 2,000*-page colour High Yield Toner Cartridges (CMY), 2,500*-page Black High Yield Toner Cartridge, 1,000*-page Black Toner Cartridge	1,000*-page colour Toner Cartridge (CMY), 2,000*-page colour High Yield Toner Cartridges (CMY), 2,500*-page Black High Yield Toner Cartridge, 1,000*-page Black Toner Cartridge	1,000*-page colour Toner Cartridge (CMY), 2,000*-page colour High Yield Toner Cartridges (CMY), 4,000*-page colour Extra High Yield Toner Cartridge (CMY), 2,500*-page Black High Yield Toner Cartridge, 6,000*-page Black Extra High Yield Toner Cartridge, 1,000*-page Black Toner Cartridge	1,000*-page colour Toner Cartridges (CMY), 2,000*-page colour High Yield Toner Cartridges (CMY), 4,000*-page colour Extra High Yield Toner Cartridges (CMY), 2,500*-page Black High Yield Toner Cartridge, 1,000*-page Black Toner Cartridge, 8,000*-page Black Extra High Yield Toner Cartridge
Cartridge(s) Shipping with Product	1,000*-page Black Return Program Toner Cartridge, 1,000*-page colour (CMY) Return Program Toner Cartridges	2,500*-page Black Return Program Toner Cartridge, 2,000*-page colour (C) Return Program Toner Cartridges	2,500*-page Black Return Program Toner Cartridge, 2,000*-page colour (CMY) Return Program Toner Cartridges	4,000*-page Black starter Return Program Toner Cartridge, 4,000*-page Colour (CMY) Extra High Yield Return Program Toner Cartridges
Paper Handling				
Paper Handling Standard	100-Sheet Output Bin, Single Sheet Manual Feed, 250-Sheet Input Tray	100-Sheet Output Bin, Integrated Duplex, Single Sheet Manual Feed, 250-Sheet Input Tray	100-Sheet Output Bin, Single Sheet Manual Feed, 250-Sheet Input Tray	100-Sheet Output Bin, Integrated Duplex, Single Sheet Manual Feed, 250-Sheet Input Tray, 550-Sheet Duo Drawer with 100-Sheet Feeder
Paper Handling Optional	550-Sheet Duo Drawer with 100-Sheet Multipurpose Feeder	550-Sheet Duo Drawer with 100-Sheet Multipurpose Feeder	550-Sheet Duo Drawer with 100-Sheet Multipurpose Feeder	550-Sheet Drawer
Paper Input Capacity, Standard: Up to	250+1 pages 20 lb or 75 gsm bond	250+1 pages 20 lb or 75 gsm bond	250+1 pages 20 lb or 75 gsm bond	900+1 pages 20 lb or 75 gsm bond
Paper Input Capacity, Maximum: Up to	900 +1 pages 20 lb or 75 gsm bond	900 +1 pages 20 lb or 75 gsm bond	900 +1 pages 20 lb or 75 gsm bond	1,450+1 pages 20 lb or 75 gsm bond
Paper Output Capacity, Standard: Up to	100 pages 20 lb or 75 gsm bond			
Paper Output Capacity, Maximum: Up to	100 pages 20 lb or 75 gsm bond			
Media Types Supported	Card Stock, Paper Labels, Plain Paper, Transparencies, Refer to the Card Stock & Label Guide	Card Stock, Paper Labels, Plain Paper, Transparencies, Refer to the Card Stock & Label Guide	Card Stock, Paper Labels, Plain Paper, Transparencies, Refer to the Card Stock & Label Guide	Card Stock, Envelopes, Paper Labels, Plain Paper, Transparencies, Refer to the Card Stock & Label Guide
Media Sizes Supported	A4, A5, Executive, Folio, JIS-B5, Legal, Letter, Universal, Oficio, A6	A4, A5, Executive, Folio, JIS-B5, Legal, Letter, Universal, Oficio, A6	A4, A5, Executive, Folio, JIS-B5, Legal, Letter, Universal, Oficio, A6	10 Envelope, 7 3/4 Envelope, 9 Envelope, A4, A5, B5 Envelope, C5 Envelope, DL Envelope, Executive, Folio, JIS-B5, Legal, Letter, Statement, Universal, Oficio, A6
Compatibility				
Network Protocol Support	TCP/IP IPv4, TCP/IP IPv6, TCP, UDP	TCP/IP IPv4, TCP/IP IPv6, TCP, UDP	TCP/IP IPv4, AppleTalk™, TCP/IP IPv6, TCP, UDP	TCP/IP IPv4, AppleTalk™, TCP/IP IPv6, TCP, UDP
Printer Languages (Standard)	PCL 5c Emulation, PCL 6 Emulation, PostScript 3 Emulation	PCL 5c Emulation, PCL 6 Emulation, PostScript 3 Emulation	PCL 5c Emulation, PCL 6 Emulation, Personal Printer Data Stream (PPDS), PostScript 3 Emulation, PDF 1.6, Direct Image	PCL 5c Emulation, PCL 6 Emulation, Personal Printer Data Stream (PPDS), PostScript 3 Emulation, PDF 1.6, Direct Image
Standard Ports	Ethernet 10/100BaseTX (RJ-45), USB 2.0 Specification Hi-Speed Certified (Type B)	Ethernet 10/100BaseTX (RJ-45), USB 2.0 Specification Hi-Speed Certified (Type B)	Ethernet 10/100BaseTX (RJ-45), USB 2.0 Specification Hi-Speed Certified (Type B), PictBridge Certified Port, Front USB Port Compatible with USB 2.0 Specification (Type A)	Ethernet 10/100BaseTX (RJ-45), USB 2.0 Specification Hi-Speed Certified (Type B), PictBridge Certified Port, Front USB Port Compatible with USB 2.0 Specification (Type A)
Microsoft Windows Operating Systems Supported	2000, XP, Server 2003, XP x64, Server 2003 running Terminal Services, 2000 Server running Terminal Services, Server 2003 x64, Server 2003 x64 running Terminal Services, Vista, Vista x64, Server 2008, Server 2008 x64, Server 2008 running Terminal Services, Server 2008 x64 running Terminal Services, Windows 7			
Apple Macintosh Operating Systems Supported	Mac OS X, Mac OS 9.2			
General				
Product Warranty	1-Year Advanced Exchange, LexExpress	1-Year Advanced Exchange, LexExpress	2-Year Advanced Exchange, LexExpress	2-Year Advanced Exchange, LexExpress
Product Certifications	www.lexmark.com.au			
Size (mm - H x W x D)	292 x 424 x 400 mm	292 x 424 x 400 mm	292 x 424 x 400 mm	422 x 424 x 416 mm
Weight (kg)	21 kg	21 kg	21 kg	25 kg
Specified Operating Environment	Temperature: 16 to 32°C (60 to 90°F), Humidity: 8 to 80% Relative Humidity, Altitude: 0 - 3048 Meters (10,000 Feet)			

Recommended Monthly Page Volume

Recommended Monthly Page Volume is a range of pages that helps customers evaluate Lexmark's product offerings based on the average number of pages customers plan to print on the device each month. Lexmark recommends that the number of pages per month be within the stated range for optimum device performance, based on factors including: supplies replacement intervals, paper loading intervals, speed, and typical customer usage.

Maximum Monthly Duty Cycle

Maximum Monthly Duty Cycle is defined as the maximum number of pages a device could deliver in a month using a multishift operation. This metric provides a comparison of robustness in relation to other Lexmark printers and MFPs.

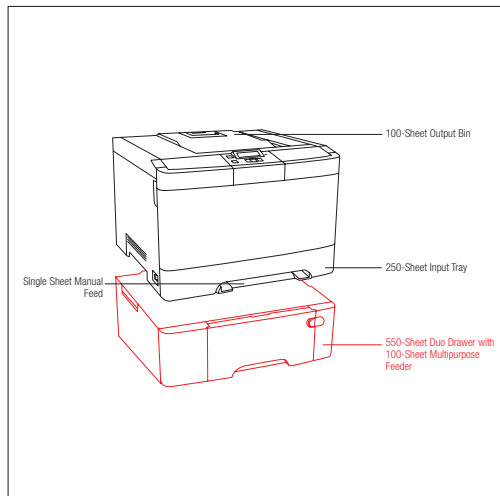
Trademarks

Lexmark and Lexmark with the diamond design are trademarks of Lexmark International, Inc., registered in the United States and/or other countries. All other trademarks are the property of their respective owners. PCL is a registered trademark of Hewlett-Packard Company, AppleTalk, Mac and Macintosh are trademarks of Apple Computer, Inc., registered in the United States and other countries. MarkNet and MarkVision are trademarks of Lexmark International, Inc., registered in the United States and/or other countries. The USB-IF logos are trademarks of Universal Serial Bus Implementers Forum, Inc. ENERGY STAR® is a U.S. registered mark. Microsoft, Windows, the Windows logo, Windows Vista, and the Windows Vista logo are trademarks or registered trademarks of Microsoft Corporation in the United States and/or other countries. Citrix, MetaFrame and MetaFrame XP are registered trademarks or trademarks of Citrix Systems, Inc. in the U.S. and other countries. Information in this document is subject to change without notice.

License/Agreement Terms

Printers are sold subject to certain license/agreement conditions. See www.lexmark.com/printerlicense for details.

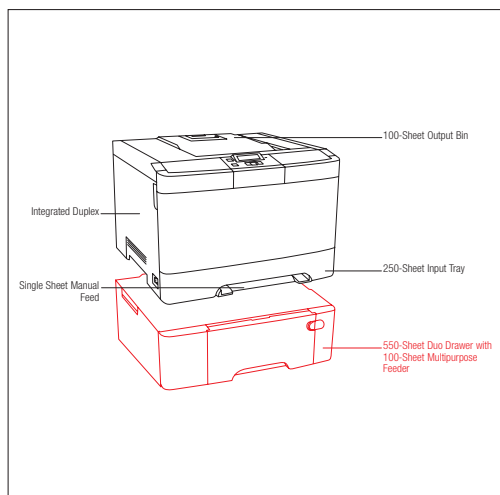
Lexmark C540n



■ Paper Handling Standard
 ■ Paper Handling Optional

In the box
 Lexmark C540n Colour Laser Printer, up to 1,000*-page colour (CMY) Return Program Toner Cartridges, up to 1,000*-page black Return Program Toner Cartridge, software and documentation CD, power cord(s), setup guides (network and local attachment), Statement of Limited Warranty, Lexmark Rewards brochure, Lexmark Cartridge Collection Program information

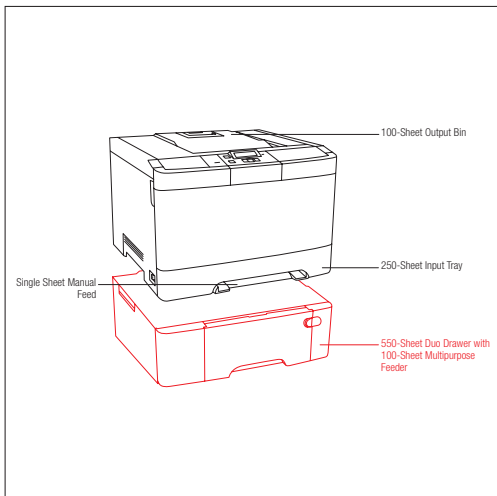
Lexmark C543dn



■ Paper Handling Standard
 ■ Paper Handling Optional

In the box
 Lexmark C543dn Colour Laser Printer, up to 2,000*-page colour (CMY) Return Program Toner Cartridges, up to 2,500*-page black Return Program Toner Cartridge, software and documentation CD, power cord(s), setup guides (network and local attachment), Statement of Limited Warranty, Lexmark Rewards brochure, Lexmark Cartridge Collection Program information

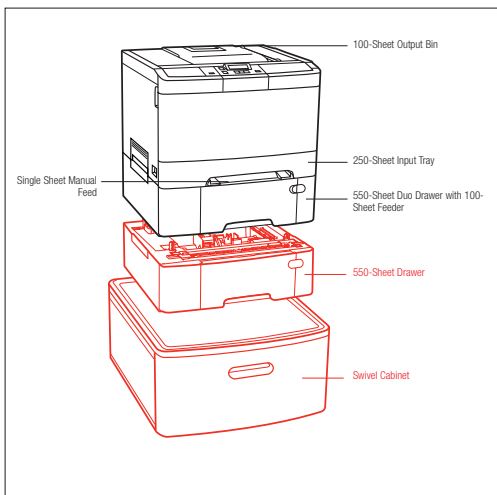
Lexmark C544n



Paper Handling Standard
 Paper Handling Optional

<p>Other models available</p> <ul style="list-style-type: none"> - Lexmark C544dn: Network-ready plus duplex, - Lexmark C544dw: Built-in wireless plus duplex 	<p>In the box</p> <p>Lexmark C544n Colour Laser Printer, up to 2,000*-page colour (CMY) Return Program Toner Cartridges, up to 2,500*-page black Return Program Toner Cartridge, software and documentation CD, power cord(s), setup guides (network and local attachment), Statement of Limited Warranty, Lexmark Rewards brochure, Lexmark Cartridge Collection Program information</p>
--	--

Lexmark C546dtn



Paper Handling Standard
 Paper Handling Optional

<p>In the box</p> <p>Lexmark C546dtn Color Laser Printer, Includes a 550-Sheet Duo Drawer with 100-Sheet Multipurpose Feeder, up to 4,000*-page colour (CMY) Return Program Toner Cartridges, up to 4,000*-page black Return Program Toner Cartridge, 4 Developer units (CMYK), Photoconductor unit, Software and Documentation CD, Power cord(s), Setup guide or sheet (network and local attachment), Statement of limited warranty / guarantee, Operator panel language overlays, Lexmark Cartridge Collection Program information</p>
--



Environmental commitment
 Lexmark believes that the environment is a critical component of responsible business management and clearly demonstrates it by implementing the "4R" strategy: Reduce, Recover, Reuse and Recycle. To learn more about these programs please visit www.lexmark.com/recycle.

Cost-saving and environmental features

- Duplex models are Energy Star compliant
- Duplex, Print and Hold (verify print), multi-up, and printing on recycled paper help reduce paper consumption.
- Selectable toner saving modes help reduce the amount of toner used on a page.
- Lexmark Cartridge Collection Program and end-of-life product recycling help reduce waste.

