



C746x and C748x

User's Guide

Important: Click [here](#) before using this guide.

October 2014

www.lexmark.com

Machine type(s):

5026

Model(s):

310, 311, 330, 331, 510, 511, 530, 531, 538, 539

Contents

- Safety information.....5**
- Overview.....7**
 - Using this guide.....7
 - Finding information about the printer.....7
- Additional printer setup.....9**
 - Installing internal options.....9
 - Installing hardware options.....24
 - Attaching cables.....26
 - Setting up the printer software.....27
 - Networking.....28
 - Verifying printer setup.....34
- Using C746x.....35**
 - Learning about the printer.....35
 - Loading paper and specialty media.....38
 - Printing.....54
 - Managing your printer.....60
- Using C748x.....69**
 - Learning about the printer.....69
 - Setting up and using the home screen applications.....75
 - Loading paper and specialty media.....78
 - Printing.....95
 - Managing your printer.....101
- Paper and specialty media guidelines.....109**
 - Using specialty media.....109
 - Paper guidelines.....111
 - Supported paper sizes, types, and weights.....115
- Understanding the printer menus.....118**
 - Menus list.....118
 - Supplies menu.....119

Paper menu.....	121
Reports menu.....	131
Network/Ports menu.....	132
Security menu.....	145
Settings menu.....	149
Help menu.....	171
Saving money and the environment.....	173
Adjusting the brightness of the printer display.....	173
Saving paper and toner.....	173
Recycling.....	174
Maintaining the printer.....	176
Ordering parts and supplies.....	176
Using genuine Lexmark parts and supplies.....	177
Storing supplies.....	177
Replacing parts and supplies.....	178
Resetting the maintenance counter.....	183
Cleaning printer parts.....	184
Moving the printer.....	186
Clearing jams.....	188
Avoiding jams.....	188
Understanding jam numbers and locations.....	189
200–201 paper jams.....	190
202–203 paper jams.....	195
24x paper jam.....	199
250 paper jam.....	200
Troubleshooting.....	201
Solving basic printer problems.....	201
Understanding the printer messages.....	201
Solving printing problems.....	217
Solving home screen application problems.....	221
Solving option problems.....	222
Solving paper feed problems.....	224
Solving print quality problems.....	226

Solving color quality problems.....238
Embedded Web Server does not open.....241
Contacting customer support.....241


Notices.....242

Product information.....242
Edition notice.....242
Power consumption.....247


Index.....257

Safety information


Connect the power cord directly to an appropriately rated and properly grounded electrical outlet that is near the product and easily accessible.


 **CAUTION—POTENTIAL INJURY:** Do not use this product with extension cords, multioutlet power strips, multioutlet extenders, or other types of surge or UPS devices. The power rating capacity of these types of accessories can be easily overloaded by a laser printer and may result in poor printer performance, property damage, or potential fire.


Do not place or use this product near water or wet locations.


 **CAUTION—POTENTIAL INJURY:** This product uses a laser. Use of controls or adjustments or performance of procedures other than those specified herein may result in hazardous radiation exposure.

This product uses a printing process that heats the print media, and the heat may cause the media to release emissions. You must understand the section in your operating instructions that discusses the guidelines for selecting print media to avoid the possibility of harmful emissions.

 **CAUTION—POTENTIAL INJURY:** The lithium battery in this product is not intended to be replaced. There is a danger of explosion if a lithium battery is incorrectly replaced. Do not recharge, disassemble, or incinerate a lithium battery. Discard used lithium batteries according to the manufacturer's instructions and local regulations.

 **CAUTION—HOT SURFACE:** The inside of the printer might be hot. To reduce the risk of injury from a hot component, allow the surface to cool before touching it.


 **CAUTION—POTENTIAL INJURY:** The printer weight is greater than 18 kg (40 lb) and requires two or more trained personnel to lift it safely.


 **CAUTION—POTENTIAL INJURY:** Before moving the printer, follow these guidelines to avoid personal injury or printer damage:


- Turn the printer off using the power switch, and then unplug the power cord from the wall outlet.
- Disconnect all cords and cables from the printer before moving it.
- Lift the printer off the optional drawer, and set it aside instead of trying to lift the drawer and printer at the same time.

Note: Use the handholds located on both sides of the printer to lift it off the optional drawer.


Use only the power cord provided with this product or the manufacturer's authorized replacement.

 **CAUTION—POTENTIAL INJURY:** To reduce risk of fire, use only the telecommunications (RJ-11) cord provided with this product or a UL Listed 26 AWG or larger replacement when connecting this product to the public switched telephone network.


 **CAUTION—SHOCK HAZARD:** If you are accessing the system board or installing optional hardware or memory devices sometime after setting up the printer, then turn the printer off, and unplug the power cord from the wall outlet before continuing. If you have any other devices attached to the printer, then turn them off as well, and unplug any cables going into the printer.


 **CAUTION—SHOCK HAZARD:** Make sure that all external connections (such as Ethernet and telephone system connections) are properly installed in their marked plug-in ports.


This product is designed, tested, and approved to meet strict global safety standards with the use of specific manufacturer's components. The safety features of some parts may not always be obvious. The manufacturer is not responsible for the use of other replacement parts.


 **CAUTION—POTENTIAL INJURY:** Do not cut, twist, bind, crush, or place heavy objects on the power cord. Do not subject the power cord to abrasion or stress. Do not pinch the power cord between objects such as furniture and walls. If any of these things happen, a risk of fire or electrical shock results. Inspect the power cord regularly for signs of such problems. Remove the power cord from the electrical outlet before inspecting it.


Refer service or repairs, other than those described in the user documentation, to a service representative.

 **CAUTION—SHOCK HAZARD:** To avoid the risk of electrical shock when cleaning the exterior of the printer, unplug the power cord from the electrical outlet and disconnect all cables from the printer before proceeding.

 **CAUTION—SHOCK HAZARD:** To avoid the risk of electrical shock when cleaning the interior or exterior of the printer, unplug the power cord from the electrical outlet and disconnect all cables to the printer before proceeding.

 **CAUTION—SHOCK HAZARD:** Do not set up this product or make any electrical or cabling connections, such as the fax feature, power cord, or telephone, during a lightning storm.

 **CAUTION—TIPPING HAZARD:** Floor-mounted configurations require additional furniture for stability. You must use either a printer stand or printer base if you are using multiple input options. If you purchased a multifunction printer (MFP) that scans, copies, and faxes, then you may need additional furniture. For more information, see www.lexmark.com/multifunctionprinters.

 **CAUTION—POTENTIAL INJURY:** To reduce the risk of equipment instability, load each paper drawer or tray separately. Keep all other drawers or trays closed until needed.

SAVE THESE INSTRUCTIONS.

Overview

Using this guide

This *User's Guide* provides general and specific information on using the printer models that are listed on the cover page.

The following chapters contain information applicable to all printer models:


- [Additional printer setup](#)
- [Paper and specialty media guidelines](#)
- [Understanding printer menus](#)
- [Saving money and the environment](#)
- [Maintaining the printer](#)
- [Clearing jams](#)
- [Troubleshooting](#)

To find instructions for your printer:

- Use the table of contents.
- Use the Search function or the Find toolbar of your application to search for page content.


Finding information about the printer

What are you looking for?	Find it here
Initial setup instructions: <ul style="list-style-type: none"> • Connecting the printer • Installing the printer software 	Setup documentation—The setup documentation came with the printer and is also available at http://support.lexmark.com .
Additional setup and instructions for using the printer: <ul style="list-style-type: none"> • Selecting and storing paper and specialty media • Loading paper • Configuring printer settings • Viewing and printing documents and photos • Setting up and using the printer software • Configuring the printer on a network • Caring for and maintaining the printer • Troubleshooting and solving problems 	<i>User's Guide</i> and <i>Quick Reference Guide</i> —The guides are available at http://support.lexmark.com . Note: These guides are also available in other languages.
Information on setting up and configuring the accessibility features of your printer	<i>Lexmark Accessibility Guide</i> —This guide is available at http://support.lexmark.com .

What are you looking for?	Find it here
<p>Help using the printer software</p>	<p>Windows or Mac Help—Open a printer software program or application, and then click Help.</p> <p>Click  to view context-sensitive information.</p> <p>Notes:</p> <ul style="list-style-type: none"> • Help is automatically installed with the printer software. • The printer software is located in the printer program folder or on the desktop, depending on your operating system.
<p>The latest supplemental information, updates, and customer support:</p> <ul style="list-style-type: none"> • Documentation • Driver downloads • Live chat support • E-mail support • Voice support 	<p>Lexmark support Web site— http://support.lexmark.com</p> <p>Note: Select your country or region, and then select your product to view the appropriate support site.</p> <p>Support telephone numbers and hours of operation for your country or region can be found on the support Web site or on the printed warranty that came with your printer.</p> <p>Record the following information (located on the store receipt and at the back of the printer), and have it ready when you contact customer support so that they may serve you faster:</p> <ul style="list-style-type: none"> • Machine Type number • Serial number • Date purchased • Store where purchased
<p>Warranty information</p>	<p>Warranty information varies by country or region:</p> <ul style="list-style-type: none"> • In the U.S.—See the Statement of Limited Warranty included with this printer, or go to http://support.lexmark.com. • In other countries and regions—See the printed warranty that came with this printer.

Additional printer setup

Installing internal options


 **CAUTION—SHOCK HAZARD:** If you are accessing the system board or installing optional hardware or memory devices sometime after setting up the printer, then turn the printer off, and unplug the power cord from the wall outlet before continuing. If you have any other devices attached to the printer, then turn them off as well, and unplug any cables going into the printer.

Available internal options

- Memory cards
 - Printer memory
 - Flash memory
 - Fonts
- Firmware cards
 - Bar Code
 - IPDS
 - PrintCryptioTM
- Printer hard disk
- LexmarkTM Internal Solutions Ports (ISP)
 - RS-232-C Serial ISP
 - Parallel 1284-B ISP
 - MarkNetTM N8250 802.11 b/g/n Wireless ISP
 - MarkNet N8130 10/100 Fiber ISP
 - MarkNet N8120 10/100/1000 Ethernet ISP

Note: An external kit is needed to support the ISP.

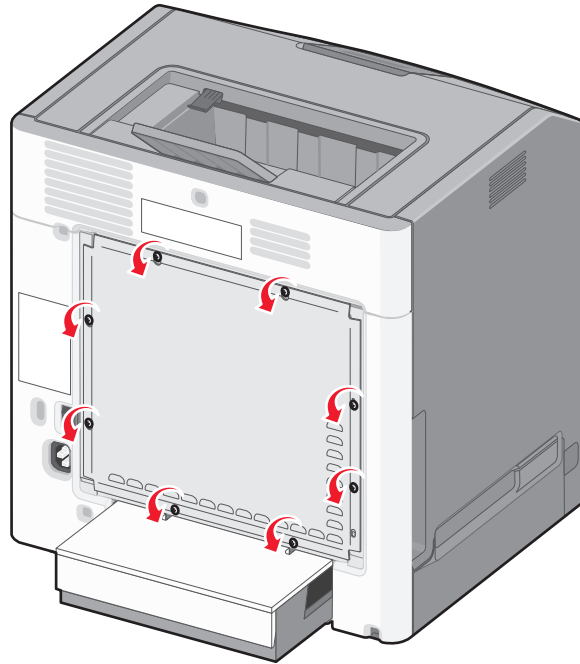
Accessing the system board

 **CAUTION—SHOCK HAZARD:** If you are accessing the system board or installing optional hardware or memory devices sometime after setting up the printer, then turn the printer off, and unplug the power cord from the wall outlet before continuing. If you have any other devices attached to the printer, then turn them off as well, and unplug any cables going into the printer.

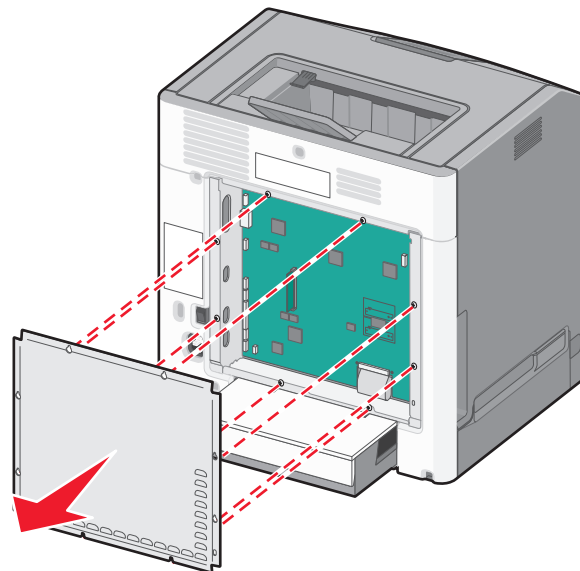
Note: This task requires a flathead screwdriver.

1 Remove the system board cover.

- a** Turn the screws on the cover counterclockwise to loosen them, but do not remove them. Pull the standard tray to access the two bottom screws.



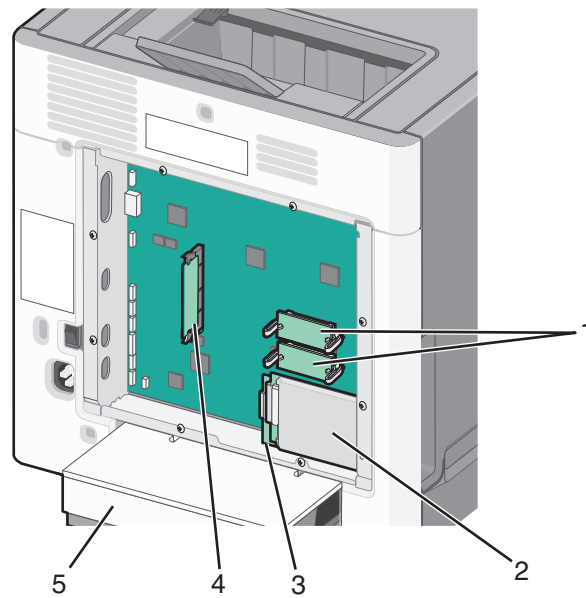
- b** Slide the cover slightly up until each screw is in the keyhole.



- c** Pull the cover to remove it.

2 Locate the appropriate connector on the system board.

Warning—Potential Damage: System board electronic components are easily damaged by static electricity. Touch something metal on the printer before touching any system board electronic components or connectors.

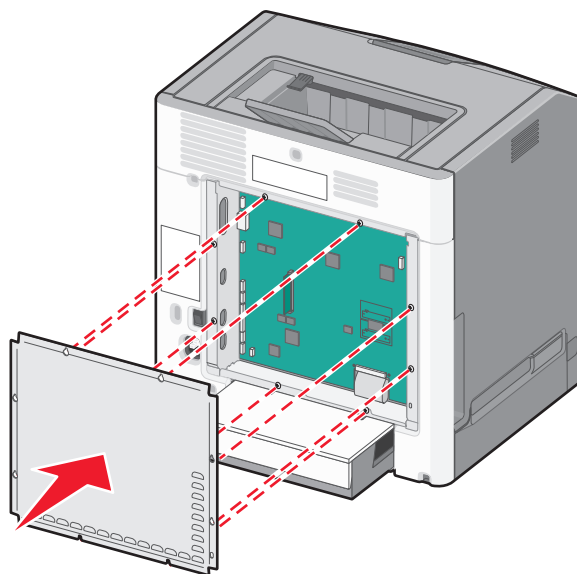


1	Firmware and flash memory card connectors
2	Printer hard disk connector
3	Internal print server connector
4	Memory card connector
5	Dust cover

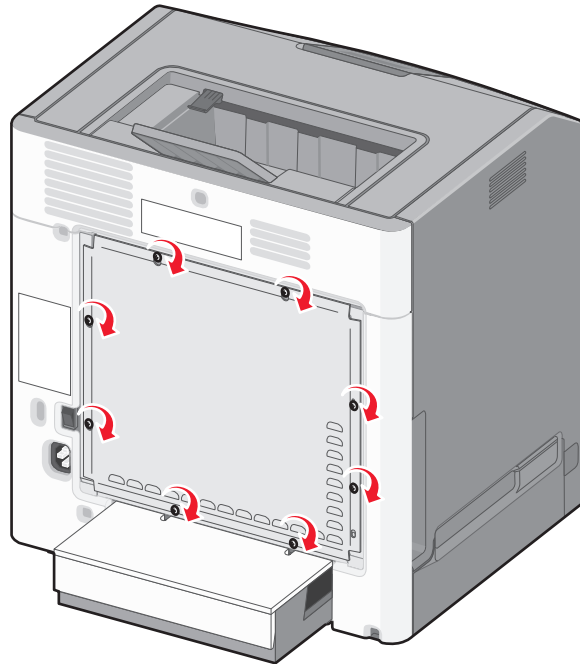
3 Reattach the system board cover.

Warning—Potential Damage: System board electronic components are easily damaged by static electricity. Touch something metal on the printer before touching any system board electronic components or connectors.

- a Align the keyholes with the screws.



- b** Slide the cover down, and then turn each screw clockwise to tighten.



Installing a memory card

CAUTION—SHOCK HAZARD: If you are accessing the system board or installing optional hardware or memory devices sometime after setting up the printer, then turn the printer off, and unplug the power cord from the wall outlet before continuing. If you have any other devices attached to the printer, then turn them off as well, and unplug any cables going into the printer.

Warning—Potential Damage: System board electronic components are easily damaged by static electricity. Touch something metal on the printer before touching any system board electronic components or connectors.

An optional memory card can be purchased separately and attached to the system board.

- 1** Access the system board.

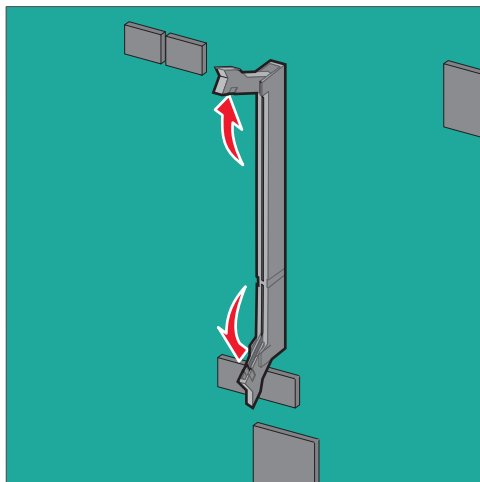
For more information, see [“Accessing the system board” on page 9](#).

Note: This task requires a flathead screwdriver.

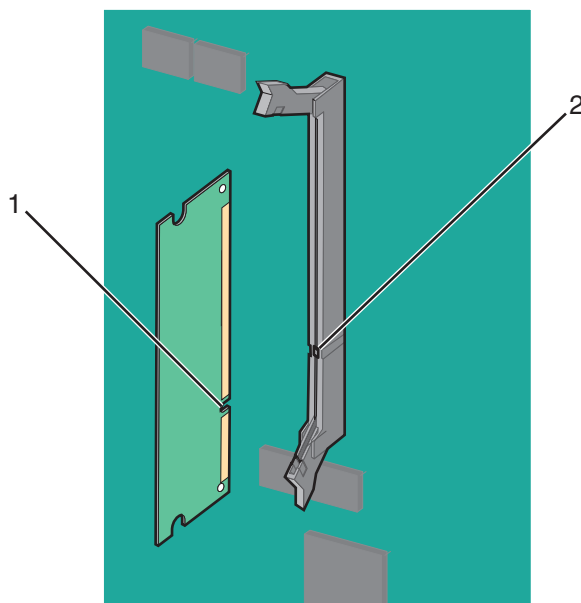
- 2** Unpack the memory card.

Warning—Potential Damage: Do not touch the connection points along the edge of the card. Doing so may cause damage.

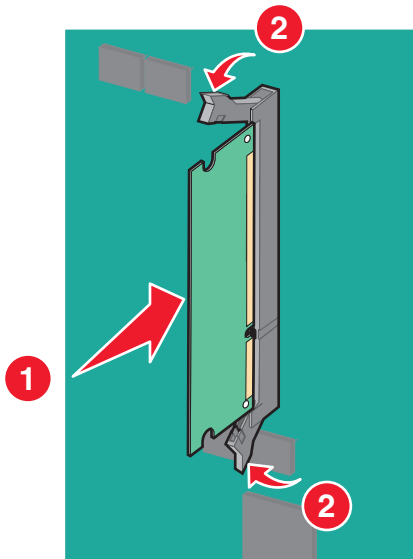
3 Open the memory card connector latches.



4 Align the notch (1) on the memory card with the ridge (2) on the connector.



- 5 Push the memory card straight into the connector until it *clicks* into place, and then push the latches to firmly attach the card into the connector.



- 6 Reattach the system board cover.

Installing a flash memory or firmware card

The system board has two connections for an optional flash memory or firmware card. Only one of each may be installed, but the connectors are interchangeable.

CAUTION—SHOCK HAZARD: If you are accessing the system board or installing optional hardware or memory devices sometime after setting up the printer, then turn the printer off, and unplug the power cord from the wall outlet before continuing. If you have other devices attached to the printer, then turn them off as well, and unplug any cables going into the printer.

Warning—Potential Damage: System board electronic components are easily damaged by static electricity. Touch something metal on the printer before touching any system board electronic components or connectors.

Note: This task requires a flathead screwdriver.

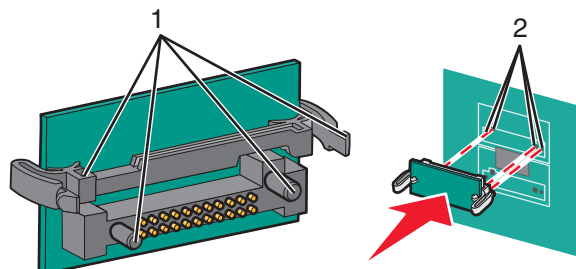
- 1 Access the system board.

For more information, see [“Accessing the system board” on page 9](#).

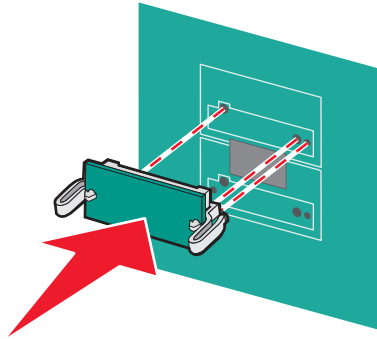
- 2 Unpack the card.

Warning—Potential Damage: Avoid touching the connection points along the edge of the card.

- 3 Holding the card by its sides, align the plastic pins (1) on the card with the holes (2) on the system board.



- 4 Push the card firmly into place.



Warning—Potential Damage: Be careful not to damage the connectors.

Note: The entire length of the connector on the card must touch and be flush against the system board.

- 5 Reattach the system board cover.

Note: When the printer software and any options are installed, it may be necessary to manually add the options in the printer driver to make them available for print jobs. For more information, see [“Adding available options in the print driver” on page 27](#).

Installing an Internal Solutions Port

The system board supports one optional Lexmark Internal Solutions Port (ISP).

CAUTION—SHOCK HAZARD: If you are accessing the system board or installing optional hardware or memory devices sometime after setting up the printer, then turn the printer off, and unplug the power cord from the wall outlet before continuing. If you have any other devices attached to the printer, then turn them off as well, and unplug any cables going into the printer.

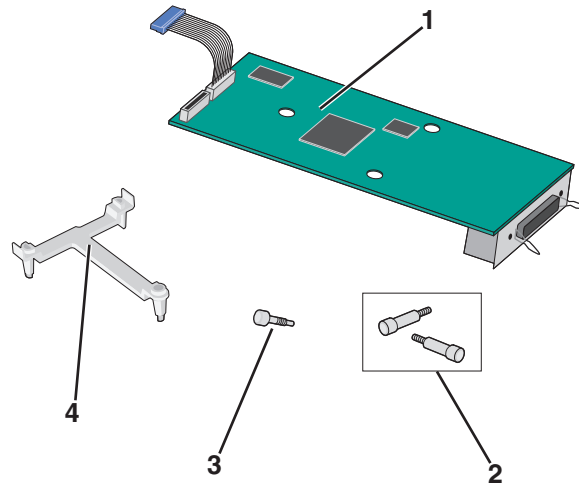
Warning—Potential Damage: System board electronic components are easily damaged by static electricity. Touch something metal on the printer before touching any system board electronic components or connectors.

1 Access the system board.

For more information, see [“Accessing the system board” on page 9](#).

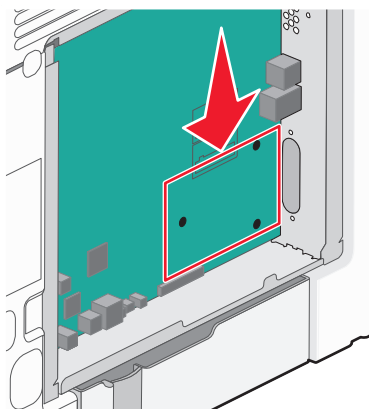
Note: This task requires a flathead screwdriver.

2 Unpack the ISP kit.



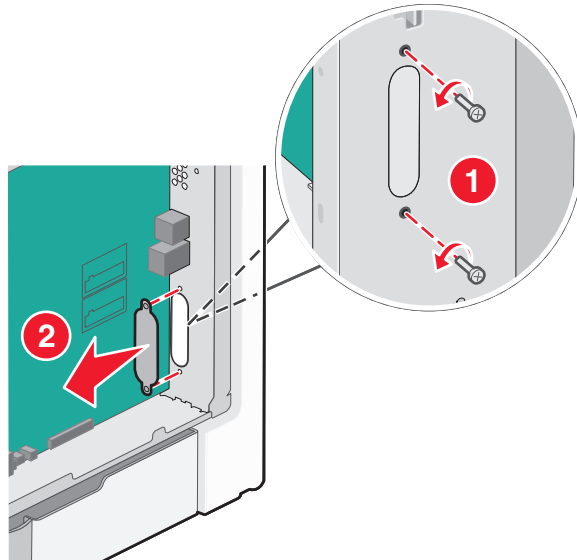
1	ISP solution
2	Screws for the ISP solution
3	Screw for the plastic bracket
4	Plastic bracket

3 Locate the appropriate holes on the system board where the posts of the plastic tee will be aligned.

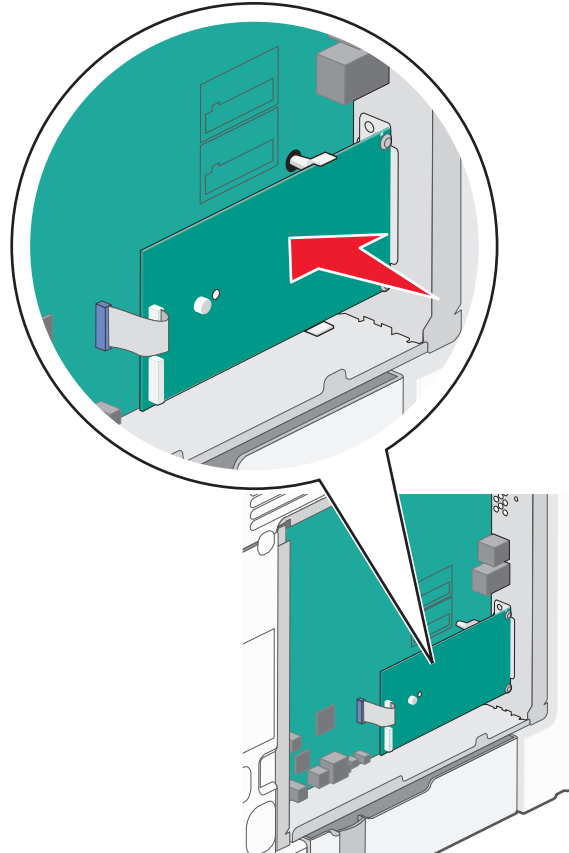


Note: If an optional printer hard disk is currently installed, then remove it first. For more information, see [“Removing a printer hard disk” on page 23](#).

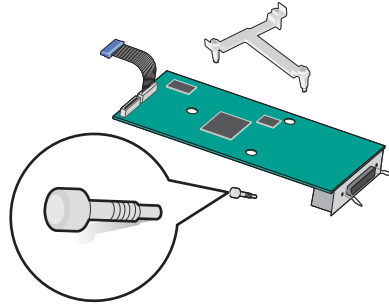
- 4** Remove the screws, and then remove the metal cover from the ISP opening.



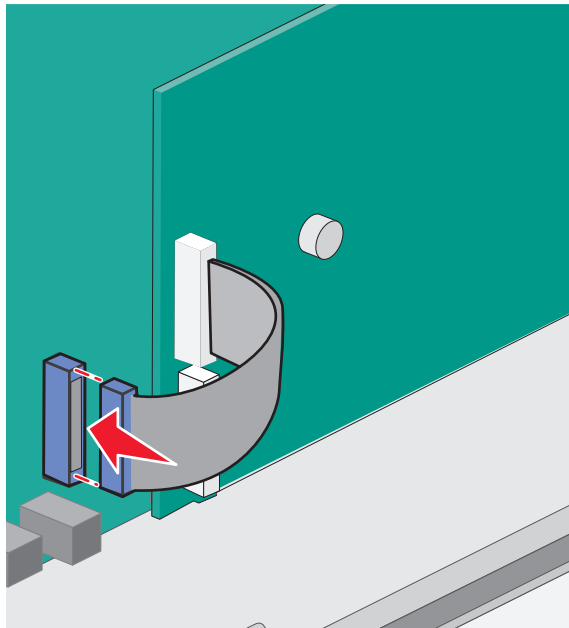
- 5** Attach the ISP solution to the system board.
- a** Align the posts of the plastic tee to the holes on the system board.
 - b** Hold the edges of the ISP and guide it to the opening on the system board cage, and then gently allow it to rest on the plastic tee.



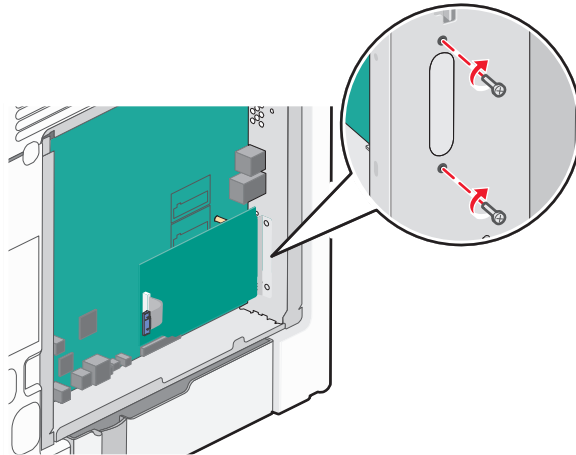
- c Use the provided screw to attach the plastic bracket to the ISP solution.



- 6 Connect the ISP solution interface cable into the color-coded receptacle on the system board.



- 7 Firmly connect the ISP solution to the system board cage using the two screws.



- 8 Reattach the system board cover.

Note: If you have removed an optional printer hard disk while installing the Internal Solutions Port, then reinstall the printer hard disk first before reattaching the system board cover. For more information, see [“Installing a printer hard disk” on page 19](#).

Installing a printer hard disk

CAUTION—SHOCK HAZARD: If you are accessing the system board or installing optional hardware or memory devices sometime after setting up the printer, then turn the printer off, and unplug the power cord from the wall outlet before continuing. If you have any other devices attached to the printer, then turn them off as well, and unplug any cables going into the printer.

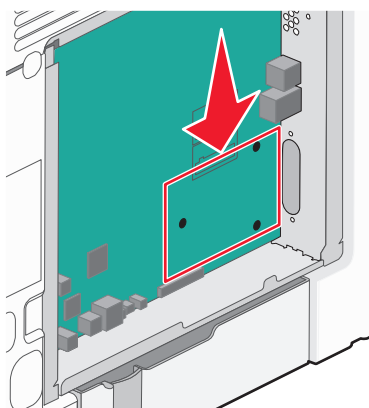
Warning—Potential Damage: System board electronic components are easily damaged by static electricity. Touch something metal on the printer before touching any system board electronic components or connectors.

- 1 Access the system board.

For more information, see [“Accessing the system board” on page 9](#).

Note: This task requires a flathead screwdriver.

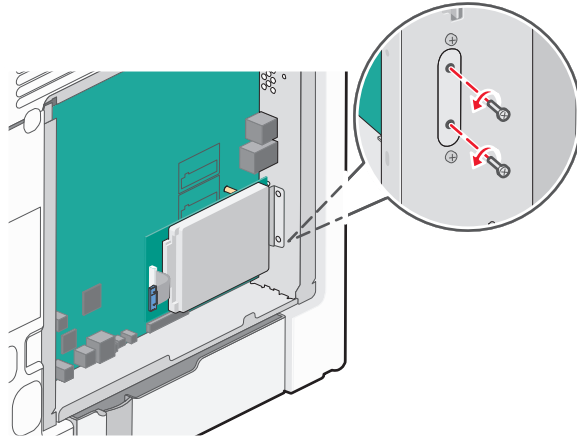
- 2 Unpack the printer hard disk.
- 3 Locate the appropriate holes on the system board where the posts of the plastic tee will be aligned.



Note: If an optional ISP is currently installed, then the printer hard disk must be installed onto the ISP.

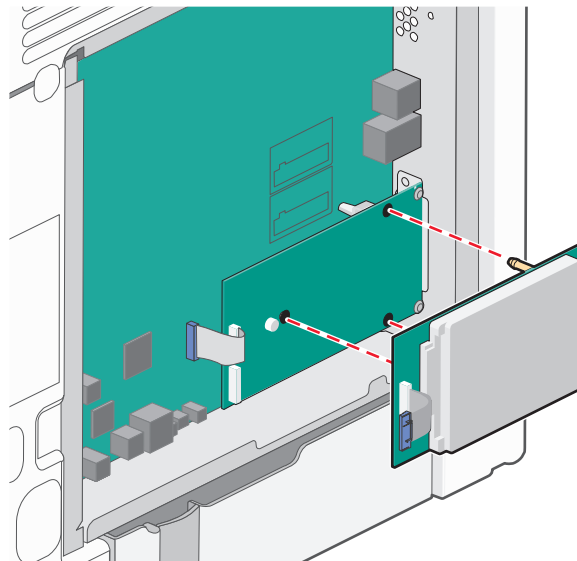
To install a printer hard disk onto the ISP:

- a Using a flathead screwdriver, loosen the screws.
- b Remove the screws attached to the printer hard disk mounting bracket, and then remove the bracket.



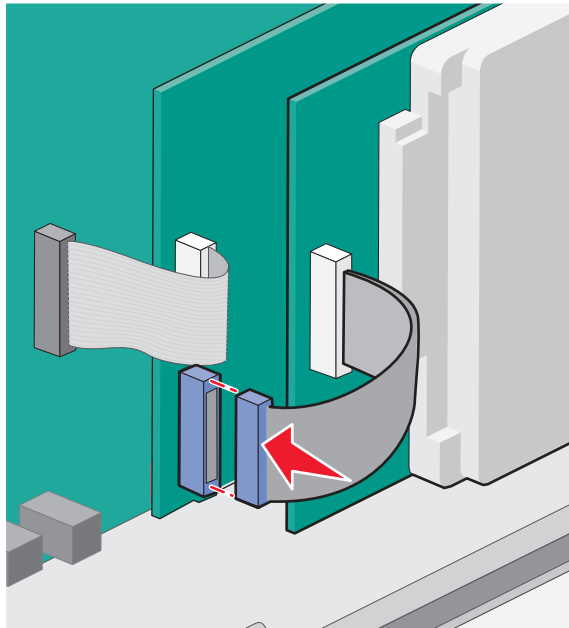
- c Install the printer hard disk onto the ISP:
 - 1 Hold the edges of the printed circuit board assembly, and then align the standoffs of the printer hard disk to the holes in the ISP.
 - 2 Press down on the printer hard disk until the standoffs are in place.

Warning—Potential Damage: Do not press on the center of the printer hard disk. Doing so may cause damage to the hard disk.



- d Insert the plug of the printer hard disk interface cable into the receptacle of the ISP.

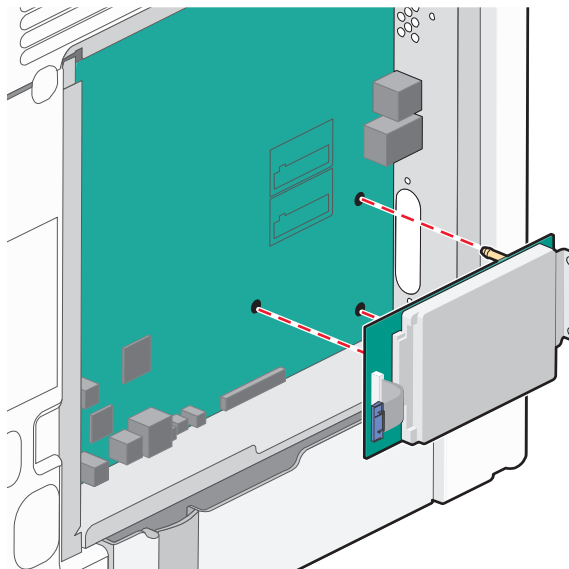
Note: The plugs and receptacles are color-coded.



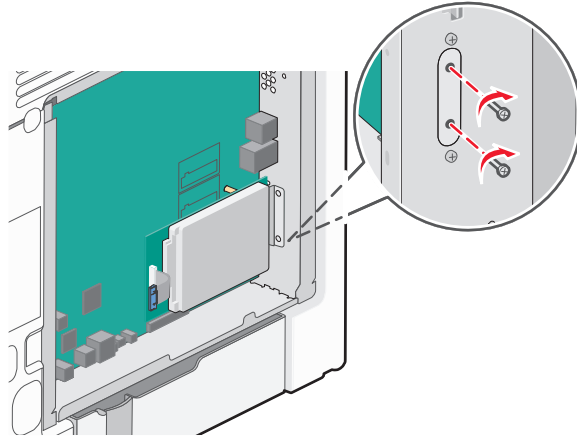
To install a printer hard disk directly on the system board:

- a** Hold the edges of the printed circuit board assembly, and then align the standoffs of the printer hard disk to the holes in the system board. Press down on the printer hard disk until the standoffs are in place.

Warning—Potential Damage: Do not press on the center of the printer hard disk. Doing so may cause damage to the hard disk.

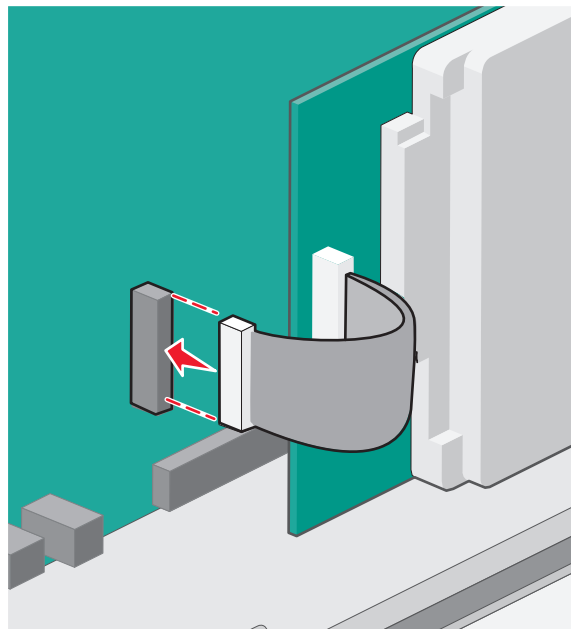


- b** Use the two provided screws to attach the printer hard disk mounting bracket.



- c** Insert the plug of the printer hard disk interface cable into the receptacle of the system board.

Note: The plugs and receptacles are color-coded.



- 4** Reattach the system board cover.

Removing a printer hard disk

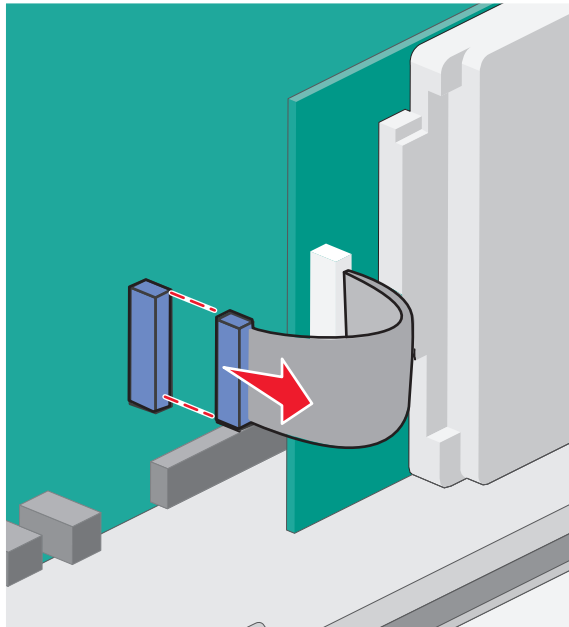
Warning—Potential Damage: System board electronic components are easily damaged by static electricity. Touch something metal on the printer before touching any system board electronic components or connectors.

- 1 Access the system board.

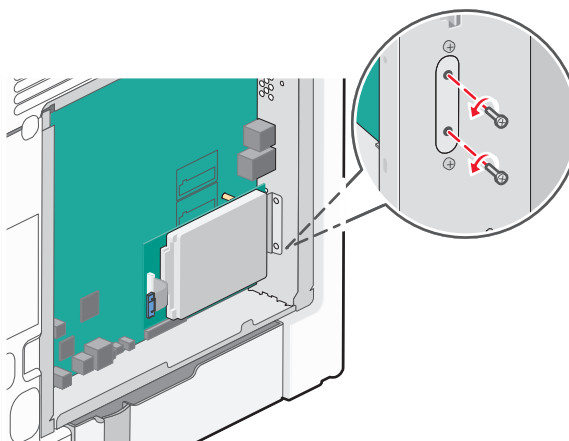
For more information, see [“Accessing the system board” on page 9](#).

Note: This task requires a flathead screwdriver.

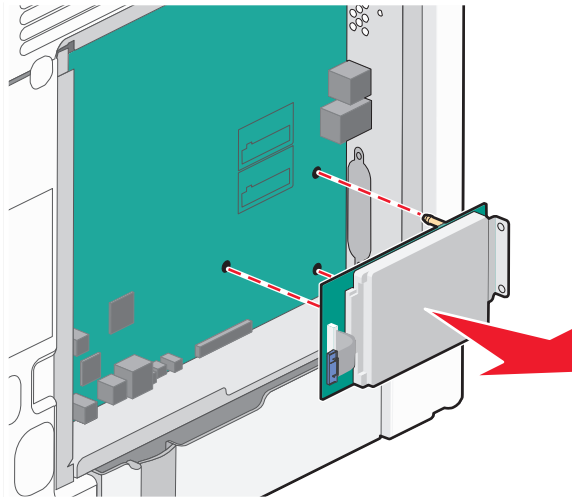
- 2 Unplug the printer hard disk interface cable from the system board, leaving the cable attached to the printer hard disk. To unplug the cable, squeeze the paddle at the plug of the interface cable to disengage the latch before pulling the cable out.



- 3 Remove the screws that connect the printer hard disk to the system board cage.



- 4 Remove the printer hard disk by pulling it upward to unseat the standoffs.



- 5 Set the printer hard disk aside.
- 6 Reattach the system board cover.

Installing hardware options

Order of installation

- CAUTION—POTENTIAL INJURY:** The printer weight is greater than 18 kg (40 lb), and requires two or more trained personnel to lift it safely.
- CAUTION—TIPPING HAZARD:** Floor-mounted configurations require additional furniture for stability. You must use either a printer stand or printer base if you are using a high-capacity input tray, a duplex unit and an input option, or more than one input option. If you purchased a multifunction printer (MFP) that scans, copies, and faxes, you may need additional furniture. For more information, see www.lexmark.com/multifunctionprinters.
- CAUTION—SHOCK HAZARD:** If you are accessing the system board or installing optional hardware or memory devices sometime after setting up the printer, then turn the printer off, and unplug the power cord from the wall outlet before continuing. If you have any other devices attached to the printer, then turn them off as well, and unplug any cables going into the printer.

Install the printer and any optional drawers in the following order:

- Optional 2,000-sheet high-capacity feeder
- Optional 550-sheet drawer
- Optional 550-sheet specialty media drawer
- Printer

For information on installing an optional drawer, see the setup documentation that came with the option.

Warning—Potential Damage: The trays in the optional 550-sheet drawer and the optional 550-sheet specialty media drawer are not interchangeable.

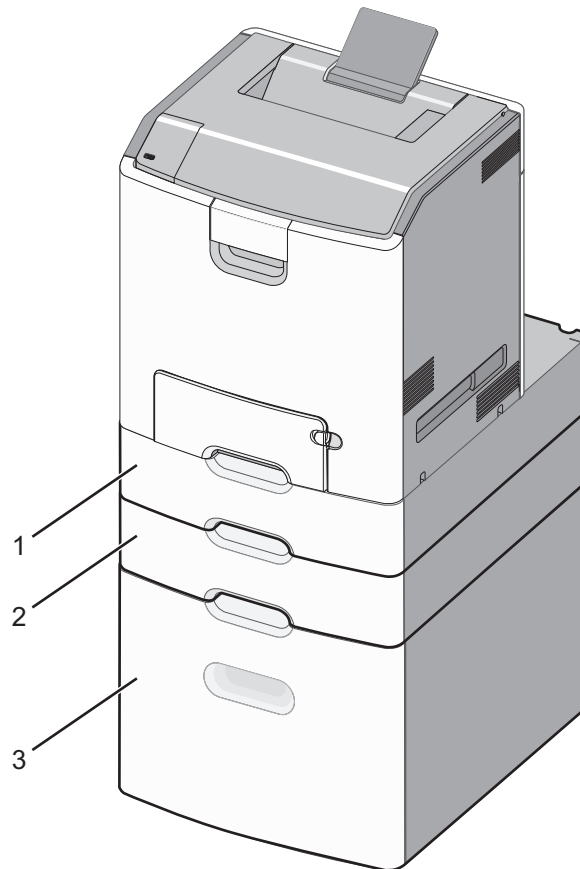
Installing optional drawers

- ⚠ CAUTION—POTENTIAL INJURY:** The printer weight is greater than 18 kg (40 lb) and requires two or more trained personnel to lift it safely.
- ⚠ CAUTION—POTENTIAL INJURY:** If you are accessing the system board or installing optional hardware or memory devices sometime after setting up the printer, then turn the printer off, and unplug the power cord from the wall outlet before continuing. If you have any other devices attached to the printer, then turn them off as well, and unplug any cables going into the printer.
- ⚠ CAUTION—TIPPING HAZARD:** Floor-mounted configurations require additional furniture for stability. You must use either a printer stand or printer base if you are using a high-capacity input tray, a duplex unit and an input option, or more than one input option. If you purchased a multifunction printer (MFP) that scans, copies, and faxes, you may need additional furniture. For more information, see www.lexmark.com/multifunctionprinters.

- 1 Unpack the optional drawer, and then remove all packing material.

Note: Optional drawers lock together when stacked. Remove stacked drawers one at a time from the top to the bottom.

- 2 Place the drawer near the printer.
- 3 Turn off the printer.
- 4 Align the printer with the drawer, and then lower the printer into place.



1	Optional 550-sheet specialty media drawer
2	Optional 550-sheet drawer

3	Optional 2,000-sheet high-capacity feeder
---	---

5 Turn the printer back on.

Attaching cables

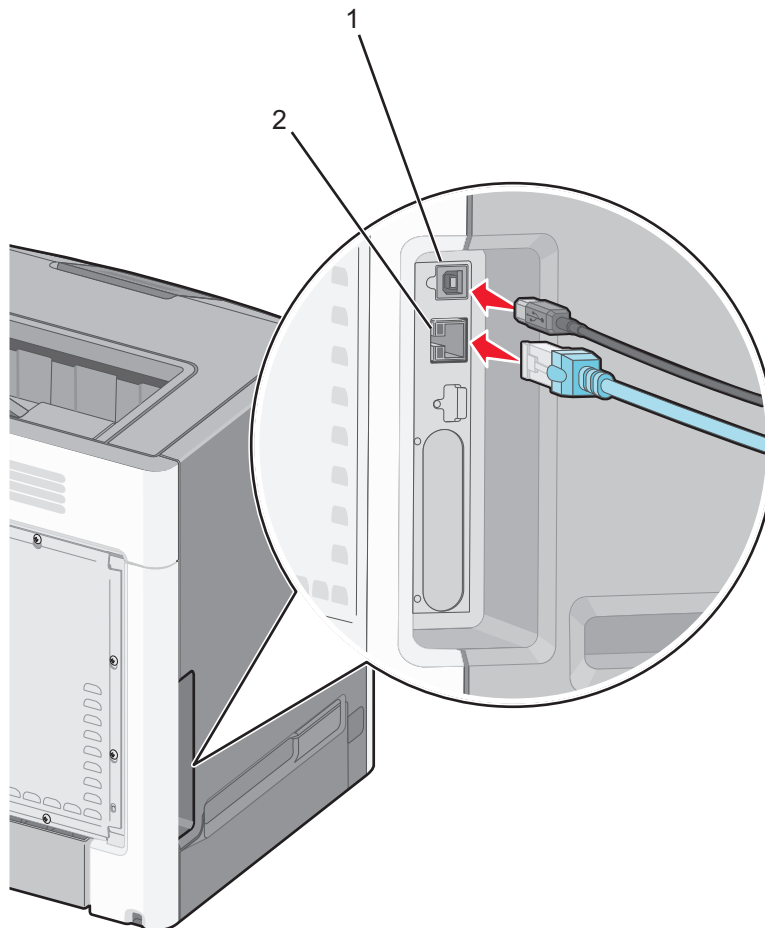
⚠ CAUTION—POTENTIAL INJURY: Do not set up this product or make any electrical or cabling connections, such as a power cord, a fax feature, or USB cable, during a lightning storm.

Connect the printer to the computer using a USB or Ethernet cable.

Make sure to match the following:

- The USB symbol on the cable with the USB symbol on the printer
- The appropriate Ethernet cable to the Ethernet port

Warning—Potential Damage: Do not touch the USB cable, any network adapter, or the printer in the area shown while actively printing. A loss of data or a malfunction can occur.



1	USB port
2	Ethernet port

Setting up the printer software

Installing the printer

- 1 Obtain a copy of the software installer package.
- 2 Run the installer, and then follow the instructions on the computer screen.
- 3 For Macintosh users, add the printer.

Note: Obtain the printer IP address from the TCP/IP section in the Network/Ports menu.

Adding available options in the print driver

For Windows users


- 1 Open the printers folder.

In Windows 8

From the Search charm, type **run**, and then navigate to:

Run > type **control printers** > **OK**

In Windows 7 or earlier

- a Click , or click **Start** and then click **Run**.
 - b Type **control printers**.
 - c Press **Enter**, or click **OK**.
- 2 Select the printer you want to update, and then do either of the following:
 - For Windows 7 or later, select **Printer properties**.
 - For earlier versions, select **Properties**.
 - 3 Navigate to the Configuration tab, and then select **Update Now - Ask Printer**.
 - 4 Apply the changes.

For Macintosh users

- 1 From System Preferences in the Apple menu, navigate to your printer, and then select **Options & Supplies**.
- 2 Navigate to the list of hardware options, and then add any installed options.
- 3 Apply the changes.

Networking

Note: A Service Set Identifier (SSID) is a name assigned to a wireless network. Wired Equivalent Privacy (WEP), Wi-Fi Protected Access (WPA), WPA2, and 802.1X - RADIUS are types of security used on a network.

Preparing to set up the printer on an Ethernet network

To configure your printer to connect to an Ethernet network, organize the following information before you begin:

Note: If your network automatically assigns IP addresses to computers and printers, continue on to installing the printer.

- A valid, unique IP address for the printer to use on the network
- The network gateway
- The network mask
- A nickname for the printer (optional)

Note: A printer nickname can make it easier for you to identify your printer on the network. You can choose to use the default printer nickname, or assign a name that is easier for you to remember.

You will need an Ethernet cable to connect the printer to the network and an available port where the printer can physically connect to the network. Use a new network cable when possible to avoid potential problems caused by a damaged cable.

Preparing to set up the printer on a wireless network

Notes:

- Make sure your access point (wireless router) is turned on and is working properly.
- Do not connect the installation or network cables until prompted to do so by the setup software.

Make sure you have the following information before setting up the printer on a wireless network:

- **SSID**—The SSID is also referred to as the network name.
- **Wireless Mode (or Network Mode)**—The mode is either infrastructure or ad hoc.
- **Channel (for ad hoc networks)**—The channel defaults to automatic for infrastructure networks.

Some ad hoc networks will also require the automatic setting. Check with your system support person if you are not sure which channel to select.

- **Security Method**—There are four basic options for Security Method:
 - WEP key
If your network uses more than one WEP key, then enter up to four in the provided spaces. Select the key currently in use on the network by selecting the default WEP transmit key.
 - WPA or WPA2 preshared key or passphrase
WPA includes encryption as an additional layer of security. The choices are AES or TKIP. Encryption must be set for the same type on the router and on the printer, or the printer will not be able to communicate on the network.
 - 802.1X–RADIUS

If you are installing the printer on an 802.1X network, then you may need the following:

- Authentication type
 - Inner authentication type
 - 802.1X user name and password
 - Certificates
- No security
- If your wireless network does not use any type of security, then you will not have any security information.

Note: Using an unsecured wireless network is not recommended.

Notes:

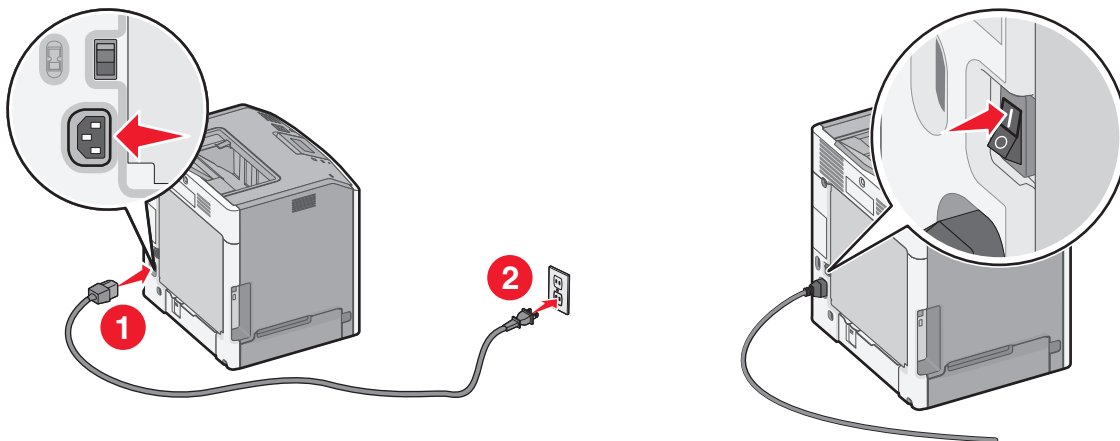
- If you do not know the SSID of the network that your computer is connected to, then launch the wireless utility of the computer network adapter, and then look for the network name. If you cannot find the SSID or the security information for your network, then see the documentation that came with the access point or contact your system support person.
- To find the WPA/WPA2 preshared key or passphrase for the wireless network, see the documentation that came with the access point, see the Embedded Web Server associated with the access point, or consult your system support person.

Installing the printer on a wireless network (Windows)

Before installing the printer on a wireless network, make sure:

- Your wireless network is set up and is working properly.
- The computer you are using is connected to the same wireless network where you want to set up the printer.

1 Connect the power cord to the printer, then to a properly grounded electrical outlet, and then turn on the printer.



Note: Make sure the printer and the computer are fully on and ready.

Warning—Potential Damage: Do not connect the USB cable until instructed to do so on the computer screen.



- 2 Obtain a copy of the software installer package.
 - From the *Software and Documentation* CD that came with your printer.
 - From our Web site:
Go to <http://support.lexmark.com>, and then navigate to:
SUPPORT & DOWNLOAD > select your printer > select your operating system

- 3 Double-click the software installer package.

Wait for the installation dialog to appear.


If you are using the *Software and Documentation* CD and the installation dialog does not appear, then do the following:

In Windows 8

From the Search charm, type **run**, and then navigate to:

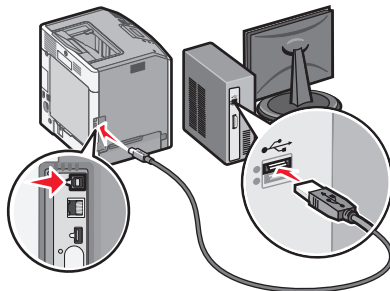
Apps list > **Run** > type **D:\setup.exe** > **OK**

In Windows 7 or earlier

- a Click  or click **Start**, and then click **Run**.
- b In the Start Search or Run dialog, type **D:\setup.exe**.
- c Press **Enter** or click **OK**.

Note: D is the letter of your CD or DVD drive.

- 4 Click **Install**, and then follow the instructions on the computer screen.
- 5 Select **Wireless connection** when asked to choose a connection type.
- 6 From the Wireless Configuration dialog, select **Guided Setup (Recommended)**.
Note: Choose **Advanced Setup** only if you want to customize your installation.
- 7 Temporarily connect a USB cable between the computer on the wireless network and the printer.



Note: After the printer is configured, the software will instruct you to disconnect the temporary USB cable so you can print wirelessly.

- 8 Follow the instructions on the computer screen.

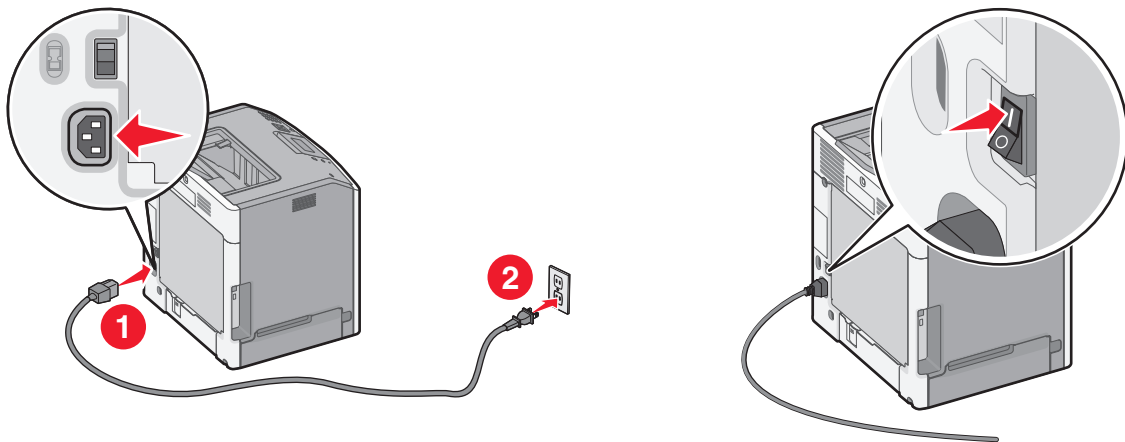
Note: For more information on allowing other computers on the network to use the wireless printer, see the *Networking Guide*.

Installing the printer on a wireless network (Macintosh)

Note: Make sure to disconnect the Ethernet cable when installing the printer on a wireless network.

Prepare to configure the printer

- 1 Connect the power cord to the printer, then to a properly grounded electrical outlet, and then turn on the printer.



- 2 Locate the printer MAC address.

- a From the printer control panel, navigate to:

> Reports > > Network Setup Page >

or

> Reports > Network Setup Page

- b In the Standard Network Card section, look for **UAA (MAC)**.

Note: You will need this information later.

Enter the printer information

- 1 Access the AirPort options:

In Mac OS X version 10.5 or later

From the Apple menu, navigate to either of the following:

- System Preferences > Network > Wi-Fi
- System Preferences > Network > AirPort

In Mac OS X version 10.4

From the Finder, navigate to:

Applications > Internet Connect > AirPort

- 2 From the Network Name pop-up menu, select **print server [yyyyyy]**, where the **y**'s are the last six digits of the MAC address located on the MAC address sheet.

- 3 Open a Web browser.
- 4 From the Bookmarks menu, select **Show** or **Show All Bookmarks**.
- 5 Under COLLECTIONS, select **Bonjour** or **Rendezvous**, and then double-click the printer name.

Note: The application referred to as *Rendezvous* in Mac OS X version 10.2 is now called *Bonjour* by Apple Inc.

- 6 From the Embedded Web Server, navigate to the location of the wireless settings information.

Configure the printer for wireless access

- 1 Type the network name (SSID) in the appropriate field.
- 2 Select **Infrastructure** as your Network Mode setting if you are using an access point (wireless router).
- 3 Select the type of security you want to use to protect the wireless network.
- 4 Enter the security information necessary for the printer to connect to the wireless network.
- 5 Click **Submit**.
- 6 Open the AirPort application on the computer:

In Mac OS X version 10.5 or later

From the Apple menu, navigate to either of the following:

- **System Preferences > Network > Wi-Fi**
- **System Preferences > Network > AirPort**

In Mac OS X version 10.4

From the Finder, navigate to:

Applications > Internet Connect > AirPort

- 7 From the Network pop-up menu, select the name of the wireless network.

Configure your computer to use the printer wirelessly

To print on a network printer, each Macintosh user must install a custom printer driver file and create a print queue in the Printer Setup Utility or Print Center.

- 1 Install a printer driver file on the computer:
 - a Obtain a copy of the software installer package.
 - From the *Software and Documentation* CD that came with your printer.
 - From our Web site:
Go to <http://support.lexmark.com>, and then navigate to:
SUPPORT & DOWNLOAD > select your printer > select your operating system
 - b Double-click the installer package for the printer.
 - c Follow the instructions on the computer screen.
 - d Select a destination, and then click **Continue**.
 - e From the Easy Install screen, click **Install**.
 - f Type the user password, and then click **OK**.
All necessary applications are installed in the computer.
 - g Click **Close** when the installation is complete.

2 Add the printer:**a** For IP printing:**In Mac OS X version 10.5 or later**

- 1** From the Apple menu, navigate to either of the following:
 - **System Preferences > Print & Scan**
 - **System Preferences > Print & Fax**
- 2** Click +.
- 3** If necessary, click **Add Printer or Scanner** or **Add Other Printer or Scanner**.
- 4** Click the **IP** tab.
- 5** Type the IP address of the printer in the address field, and then click **Add**.

In Mac OS X version 10.4

- 1** From the Finder, navigate to:
Applications > Utilities
- 2** Double-click **Printer Setup Utility** or **Print Center**.
- 3** From the Printer List, choose **Add**, and then click **IP Printer**.
- 4** Type the IP address of the printer in the address field, and then click **Add**.

b For AppleTalk printing:**Notes:**

- Make sure AppleTalk is activated on your printer.
- This feature is supported only in Mac OS X version 10.5 or earlier.

In Mac OS X version 10.5

- 1** From the Apple menu, navigate to:
System Preferences > Print & Fax
- 2** Click +, and then navigate to:
AppleTalk > select the printer from the list > Add

In Mac OS X version 10.4

- 1** From the Finder, navigate to:
Applications > Utilities
- 2** Double-click **Printer Setup Utility** or **Print Center**.
- 3** From the Printer List, click **Add**.
- 4** Click **Default Browser** tab > **More Printers**.
- 5** From the first pop-up menu, select **AppleTalk**.
- 6** From the second pop-up menu, select **Local AppleTalk Zone**.
- 7** Select the printer from the list, and then click **Add**.

Changing port settings after installing a new network ISP

Notes:

- If the printer has a static IP address, then you do not need to make any changes.
- If the computers are configured to use the network name, instead of an IP address, then you do not need to make any changes.
- If you are adding a wireless ISP to a printer previously configured for an Ethernet connection, then make sure the printer is disconnected from the Ethernet network.

For Windows users

- 1 Open the printers folder.
- 2 From the shortcut menu of the printer with the new ISP, open the printer properties.
- 3 Configure the port from the list.
- 4 Update the IP address.
- 5 Apply the changes.

For Macintosh users

- 1 From System Preferences in the Apple menu, navigate to the list of printers, and then select **+ > IP**.
- 2 Type the IP address in the address field.
- 3 Apply the changes.

Verifying printer setup

When all hardware and software options are installed and the printer is turned on, verify that the printer is set up correctly by printing the following:

- **Menu settings page**—Use this page to verify that all printer options are installed correctly. A list of installed options appears toward the bottom of the page. If an option you installed is not listed, then it is not installed correctly. Remove the option, and then install it again. For more information, see [“Printing a menu settings page” on page 60](#) for non-touch-screen printer models, or [“Printing a menu settings page” on page 101](#) for touch-screen printer models.
- **Network setup page**—If your printer has Ethernet or wireless capability and is attached to a network, then print a network setup page to verify the network connection. This page also provides important information that aids network printing configuration. For more information, see [“Printing a network setup page” on page 61](#) for non-touch screen printer models, or [“Printing a network setup page” on page 102](#) for touch-screen printer models.

Using C746x

Learning about the printer

Selecting a location for the printer

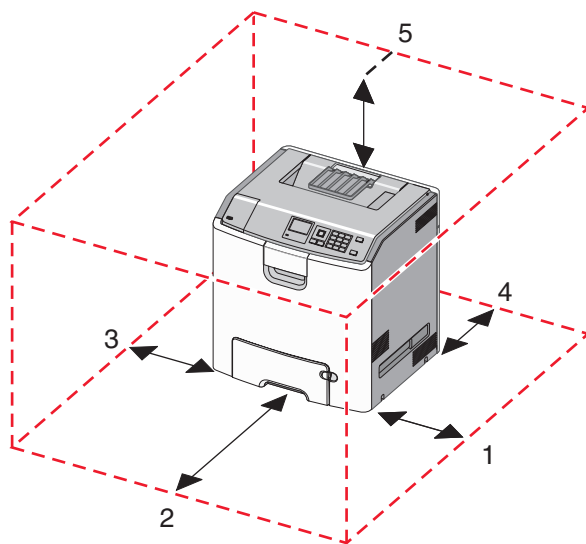
CAUTION—POTENTIAL INJURY: The printer weight is greater than 18 kg (40 lb) and requires two or more trained personnel to lift it safely.

When selecting a location for the printer, leave enough room to open trays, covers, and doors. If you plan to install any options, then leave enough room for them also. It is important to:

- Set up the printer near a properly grounded and easily accessible electrical outlet.
- Make sure airflow in the room meets the latest revision of the ASHRAE 62 standard or the CEN Technical Committee 156 standard.
- Provide a flat, sturdy, and stable surface.
- Keep the printer:
 - Clean, dry, and free of dust.
 - Away from stray staples and paper clips.
 - Away from the direct airflow of air conditioners, heaters, or ventilators.
 - Free from direct sunlight and humidity extremes.
- Observe the recommended temperatures and avoid fluctuations:

Ambient temperature	15.6 to 32.2°C (60 to 90°F)
Storage temperature	-40 to 40°C (-40 to 104°F)

- Allow the following recommended amount of space around the printer for proper ventilation:



1	Right side	100 mm (3.9 in.)
2	Front	400 mm (15.7 in.)

3	Left side	150 mm (5.9 in.)
4	Rear	100 mm (3.9 in.)
5	Top	150 mm (5.9 in.)

Printer configurations

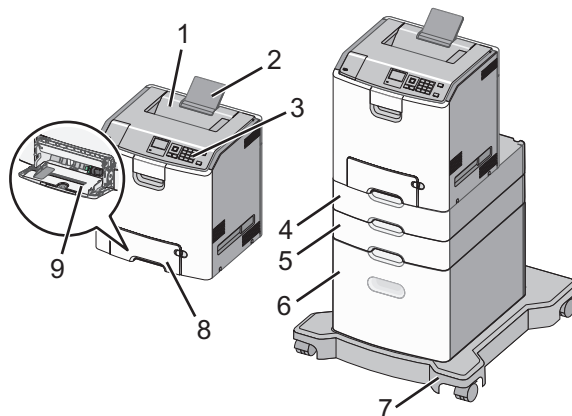
CAUTION—TIPPING HAZARD: Floor-mounted configurations require additional furniture for stability. You must use either a printer stand or printer base if you are using a high-capacity input tray, a duplex unit and an input option, or more than one input option. If you purchased a multifunction printer (MFP) that scans, copies, and faxes, you may need additional furniture. For more information, see www.lexmark.com/multifunctionprinters.

You can configure your basic printer by adding up to three 550-sheet optional drawers and a 2,000-sheet high-capacity feeder. A caster base and a spacer are supported in any configurations.

Spacers are nonfunctional trays used to add height to a printer stack. A spacer must be placed:

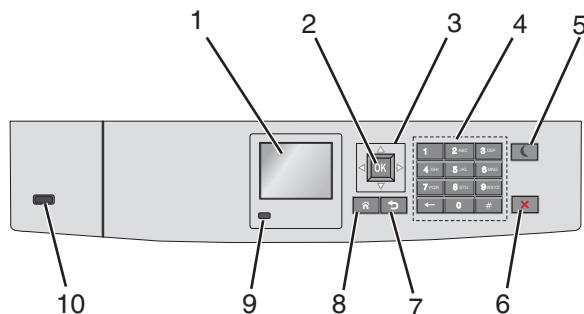
- Directly on a caster base or table top
- At the bottom of all tray stacks and cannot be used with an optional 2,000-sheet high-capacity drawer.

For information on installing a spacer, see the instruction sheet that came with the part.



1	Standard output bin
2	Paper support
3	Printer control panel
4	Optional 550-sheet specialty media drawer
5	Optional 550-sheet drawer
6	Optional 2,000-sheet high-capacity feeder
7	Caster base
8	Standard 550-sheet drawer (Tray 1)
9	Multipurpose feeder

Using the four-arrow-button printer control panel



	Use the	To
1	Display	View the printer status. Allow printer setup and operation.
2	Select button	Submit changes made in the printer settings.
3	Arrow buttons	Scroll up and down, or left and right.
4	Keypad	Enter numbers, letters, or symbols.
5	Sleep button	<p>Enable Sleep mode.</p> <p>The following are the statuses based on the indicator light and the Sleep button:</p> <ul style="list-style-type: none"> • Entering or waking from Sleep mode <ul style="list-style-type: none"> – The indicator light is illuminated solid green. – The Sleep button is unilluminated. • Operating in Sleep mode <ul style="list-style-type: none"> – The indicator light is illuminated solid green. – The Sleep button is illuminated solid amber. • Entering or waking from Hibernate mode <ul style="list-style-type: none"> – The indicator light is illuminated solid green. – The Sleep button is illuminated blinking amber. • Operating in Hibernate mode <ul style="list-style-type: none"> – The indicator light is unilluminated. – The Sleep button is blinking amber for 0.1 second, and then goes completely unilluminated for 1.9 seconds in pulsing pattern. <p>The following actions wake the printer from Sleep mode:</p> <ul style="list-style-type: none"> • Pressing any hard button • Opening Tray 1 or loading paper in the multipurpose feeder • Opening a door or cover • Sending a print job from the computer • Performing a power-on reset with the main power switch • Attaching a device to a USB port
6	Stop or Cancel button	<p>Stop all printer activity.</p> <p>Note: A list of options is displayed once Stopped appears on the display.</p>
7	Back button	Return to the previous screen.

	Use the	To
8	Home button	Go to the home screen.
9	Indicator light	Check the status of the printer. <ul style="list-style-type: none"> • Off—The printer is off. • Blinking green—The printer is warming up, processing data, or printing. • Solid green—The printer is on, but idle. • Blinking red—The printer requires operator intervention.
10	USB port	Connect a flash drive to the printer.


Loading paper and specialty media


The selection and handling of paper and specialty media can affect how reliably documents print. For more information, see [“Avoiding jams” on page 188](#) and [“Storing paper” on page 114](#).


Setting the paper size and type

1 From the printer control panel, navigate to:

 > Settings >  > Paper Menu >  > Paper Size/Type > 

2 Press the up or down arrow button to select the paper tray or feeder, and then press .

3 Press the up or down arrow button to select the paper size, and then press .

4 Press the up or down arrow button to select the paper type, and then press  to change the settings.

Configuring Universal paper settings

The Universal paper size is a user-defined setting that lets you print on paper sizes that are not preset in the printer menus.

Notes:

- The smallest supported Universal size is 76.2 x 127 mm (3 x 5 in.) and is loaded only in the multipurpose feeder.
- The largest supported Universal size is 215.9 x 1219.2 mm (8.5 x 48 in.) and is loaded only in the multipurpose feeder.

From the printer control panel, navigate to:

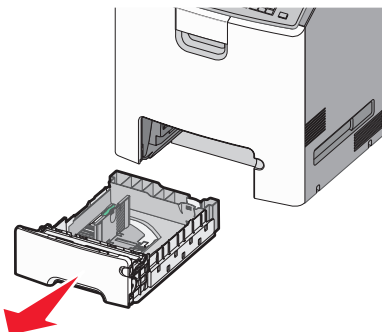
 > Settings >  > Paper Menu >  > Universal Setup >  > Units of Measure >  > select unit of measure > 

Loading the standard or an optional 550-sheet tray

The printer has one standard 550-sheet tray (Tray 1) and may have up to four optional 550-sheet trays including the special media tray. For narrow paper sizes such as A6 and envelopes, use the special media tray. For more information, see [“Loading the optional 550-sheet special media tray” on page 42.](#)

CAUTION—POTENTIAL INJURY: To reduce the risk of equipment instability, load each paper drawer or tray separately. Keep all other drawers or trays closed until needed.

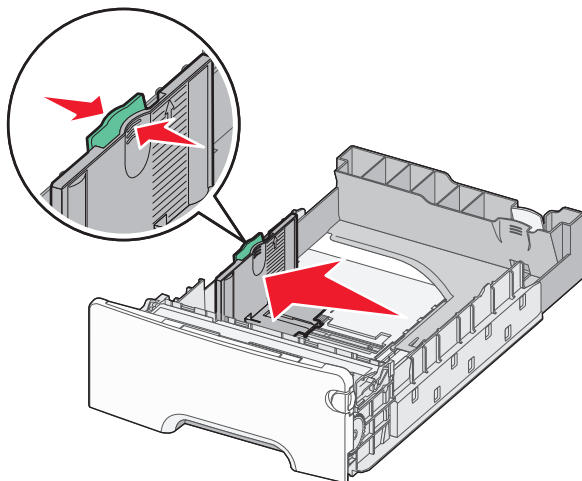
- 1 Pull the tray completely out.



Notes:

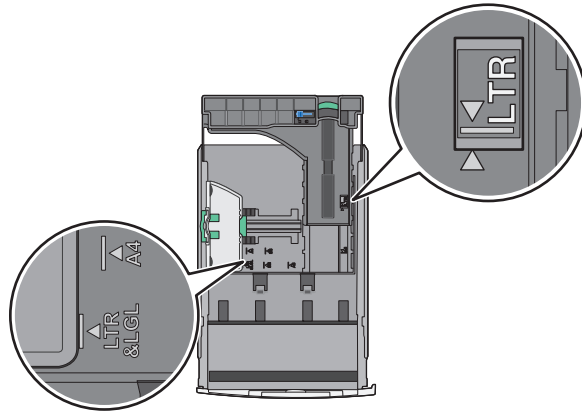
- Do not remove trays while a job prints or while **Busy** appears on the printer display. Doing so may cause a jam.
- The standard 550-sheet tray (Tray 1) does not automatically detect the paper size.

- 2 Squeeze and slide the width guide to the correct position for the paper size you are loading.



Notes:

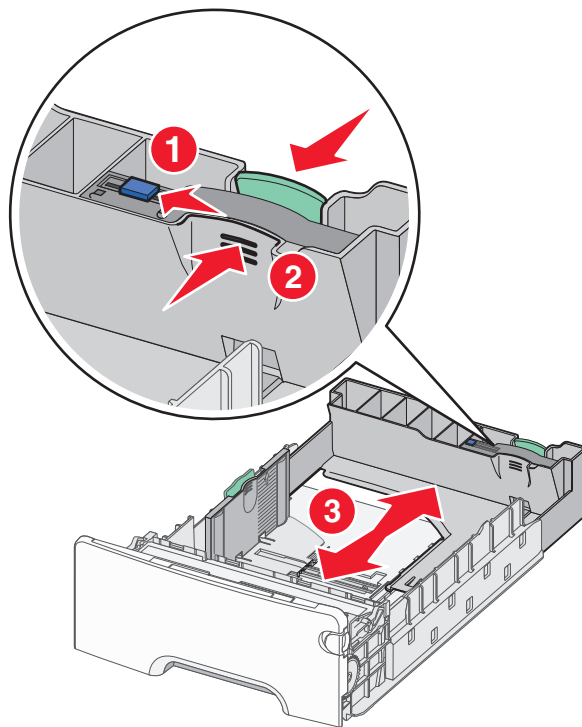
- Use the paper size indicators at the bottom of the tray to help position the length and width guides.
- Incorrect positioning of the width guide can cause paper jams.



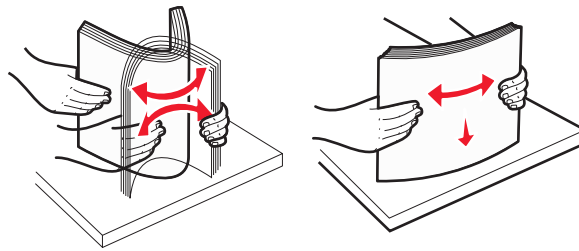
3 Squeeze and slide the length guide to the correct position for the paper size you are loading.

Notes:

- For some paper sizes like letter, legal, and A4, squeeze and slide the length guide backward to accommodate their length.
- The length guide has a locking device. To unlock, slide to the left the button on top of the length guide. To lock, slide the button to the right when a length is selected.



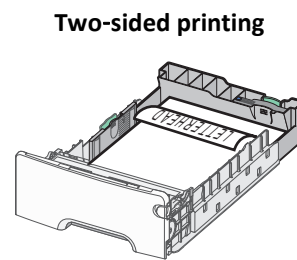
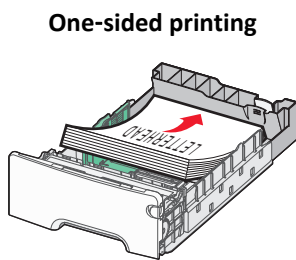
- 4 Flex the sheets back and forth to loosen them. Do not fold or crease the paper. Straighten the edges on a level surface.



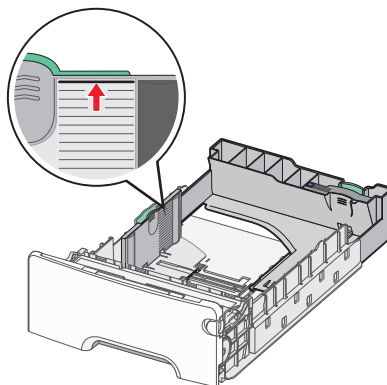
- 5 Load the paper stack with the recommended printable side faceup.

Notes:

- When loading preprinted letterhead for one-sided printing, place the header faceup toward the front of the tray.
- When loading preprinted letterhead for two-sided printing, place the header facedown toward the rear of the tray.



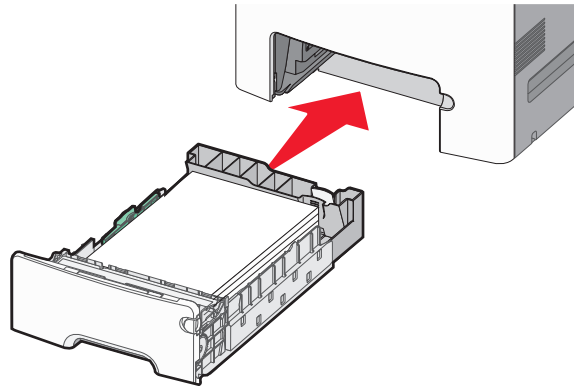
Note: Make sure the paper does not exceed the maximum paper fill indicator located on the left side of the tray.



Warning—Potential Damage: Overloading the tray can cause paper jams and possible printer damage.

- 6 Insert the tray.

Note: For some paper sizes, the tray will extend past the back of the printer.

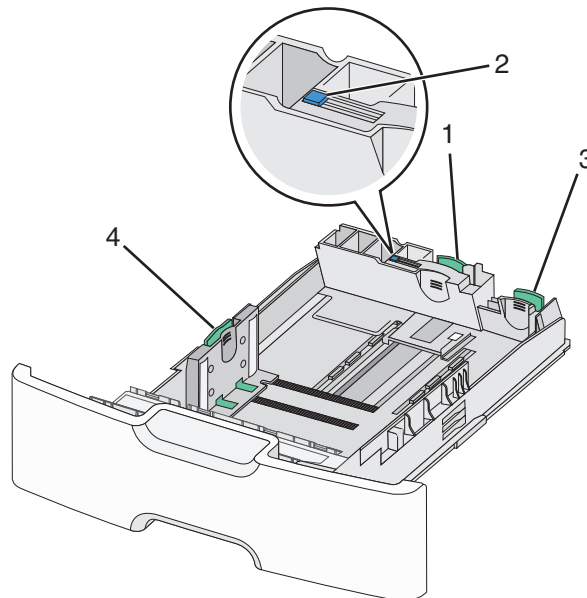


- 7** From the printer control panel, verify the paper size and paper type setting for the tray based on the paper you loaded.

Note: Paper jams may occur if the paper size and type settings selected do not match the paper loaded.

Loading the optional 550-sheet special media tray

The optional 550-sheet special media tray (Tray 2), unlike any other trays, supports narrow paper sizes such as envelopes and A6.



1	Primary length guide
2	Length guide lock
3	Secondary length guide
4	Width guide

CAUTION—POTENTIAL INJURY: To reduce the risk of equipment instability, load each paper drawer or tray separately. Keep all other trays closed until needed.

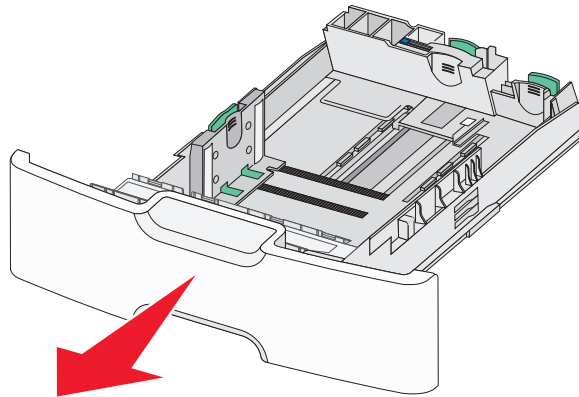
Notes:

- For instructions on loading paper sizes larger than A6 and envelopes, see [“Loading the standard or an optional 550-sheet tray” on page 39](#).
- For a complete list of supported paper sizes, see the “Supported paper sizes, types, and weights” section in the *User’s Guide*.

Loading narrow paper sizes such as envelopes and A6

- 1 Pull the tray completely out.

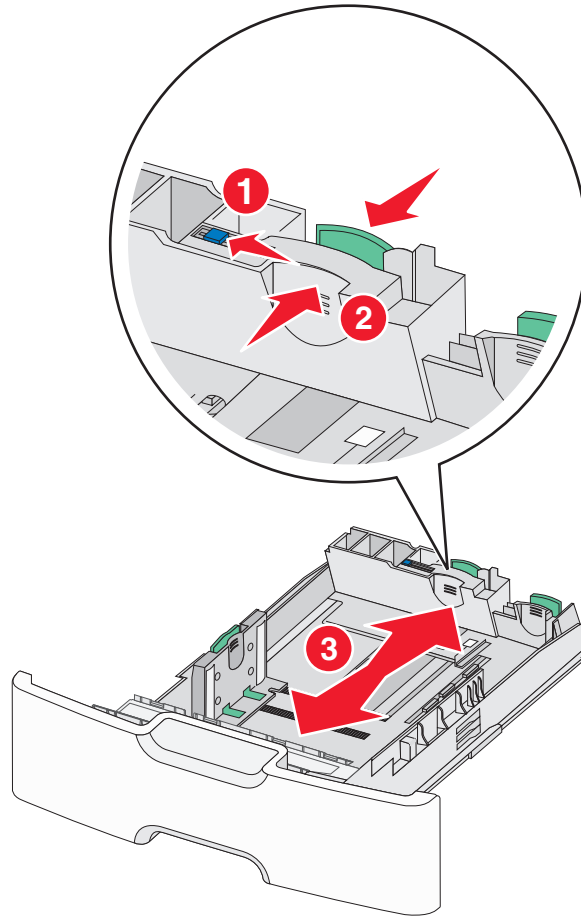
Note: Do not remove trays while a job prints or while **Busy** appears on the display. Doing so may cause a jam.



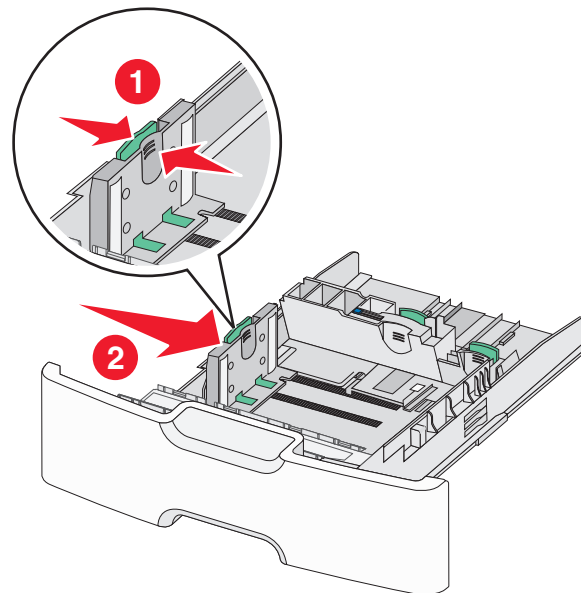
- 2 Squeeze and slide the primary length guide toward you until it stops.

Notes:

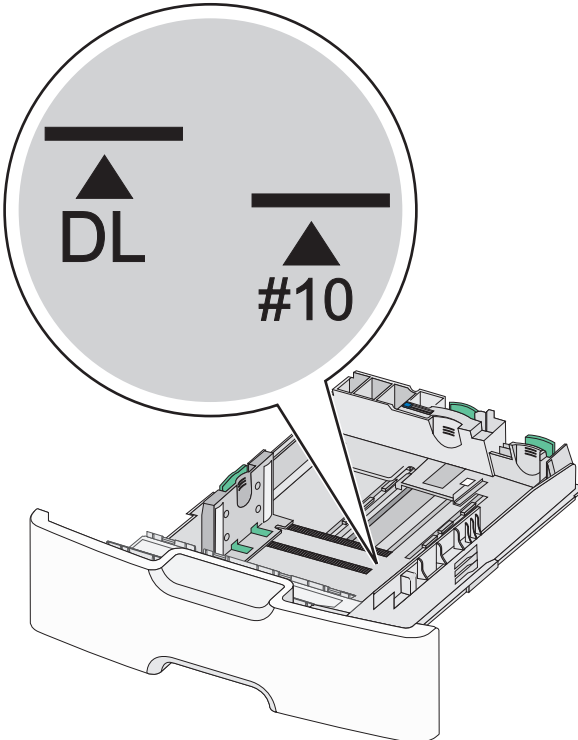
- The length has a locking device. To unlock the length guide, slide to the left the button on top of the length guide. To lock, slide the button to the right when a length has been selected.
- You can only slide the secondary length guide when the primary length guide reaches the edge of the width guide.



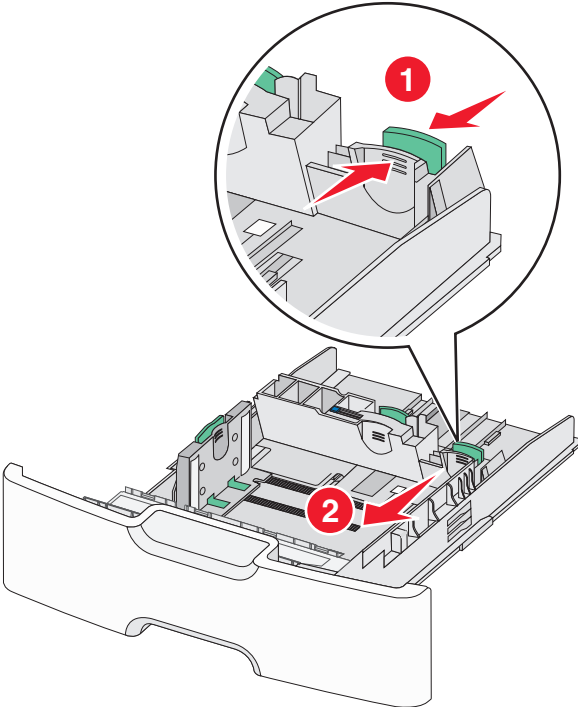
3 Squeeze and slide the width guide to the correct position for the paper size you are loading.



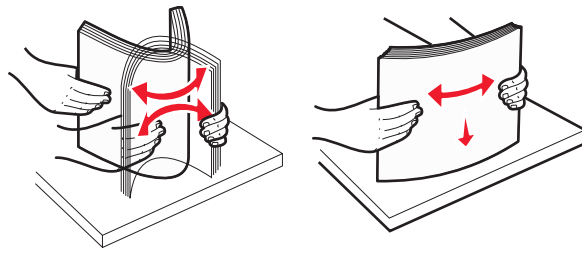
Note: Use the paper size indicators at the bottom of the tray to help position the width guide.



4 Squeeze and slide the secondary length guide to the correct position for the paper size you are loading.



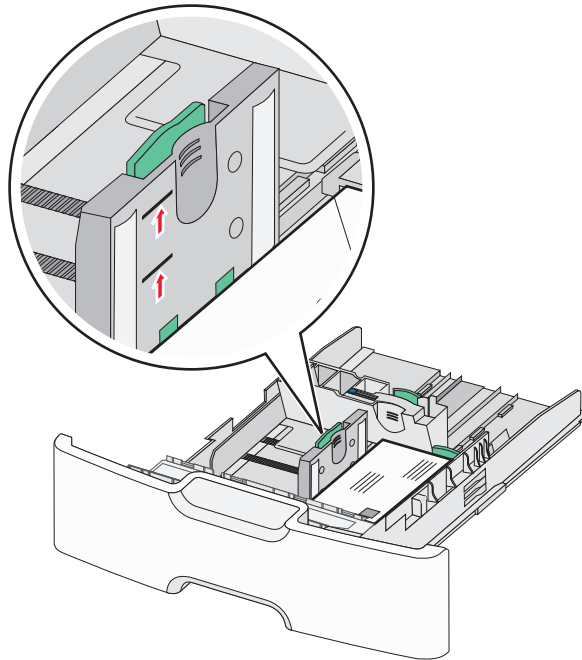
- 5 Flex the sheets back and forth to loosen them. Do not fold or crease the paper. Straighten the edges on a level surface.



- 6 Load the paper stack with the recommended printable side faceup.

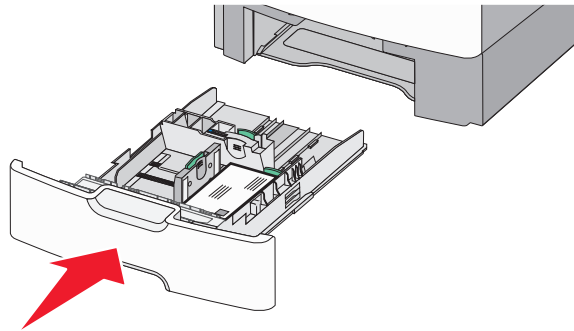
Notes:

- Load envelopes with the stamp side entering the printer first.
- Make sure the paper does not exceed the maximum paper fill indicator located on the side of the width guide.



Warning—Potential Damage: Overloading the tray can cause paper jams and possible printer damage.

- 7 Insert the tray.



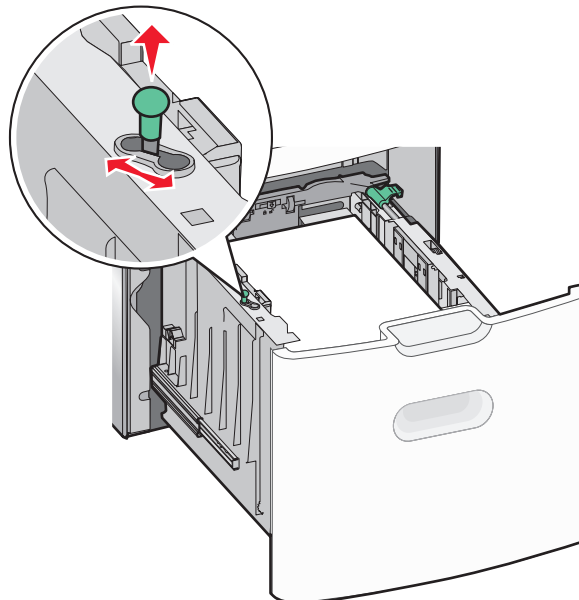
- 8 From the printer control panel, verify the paper size and paper type setting for the tray based on the paper you loaded.

Note: Return the secondary length guide back to its original position when loading long papers such as legal, letter, and A4. Squeeze and slide the guide until it *clicks* into place.

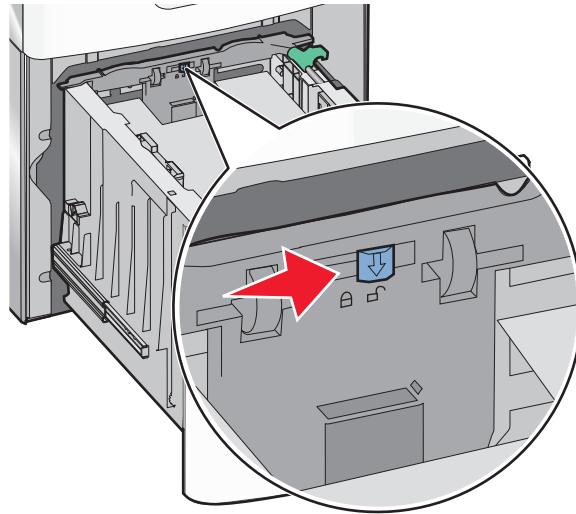
Loading the 2,000-sheet high-capacity feeder

CAUTION—POTENTIAL INJURY: To reduce the risk of equipment instability, load each paper drawer or tray separately. Keep all other drawers or trays closed until needed.

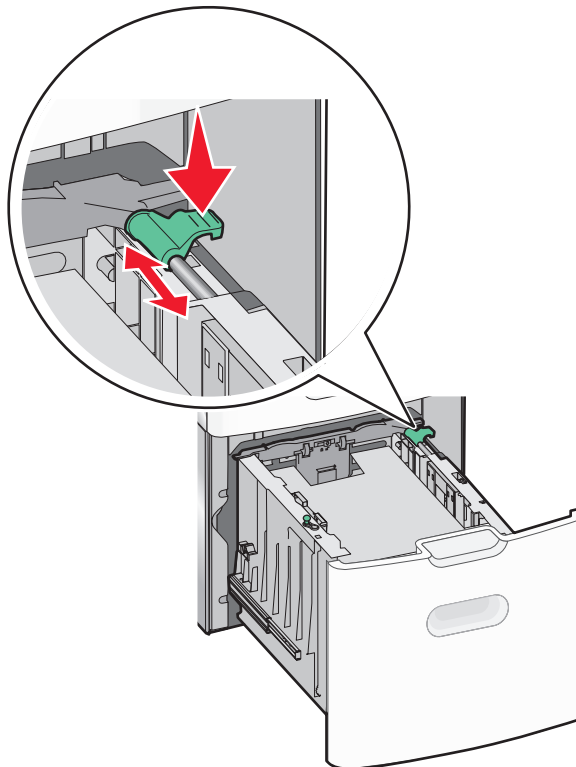
- 1 Pull the tray out.
- 2 Pull up and slide the width guide to the correct position for the paper size you are loading.



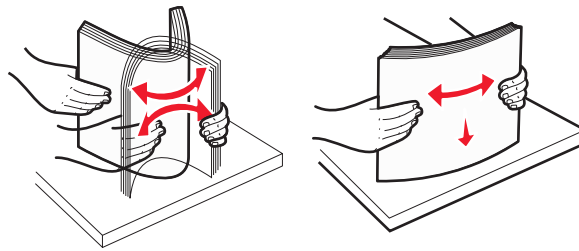
- 3** Push the length guide button to the right to unlock the length guide.



- 4** Push the length guide release latch to raise the length guide. Slide the guide to the correct position for the paper size you are loading, and then lock the guide.

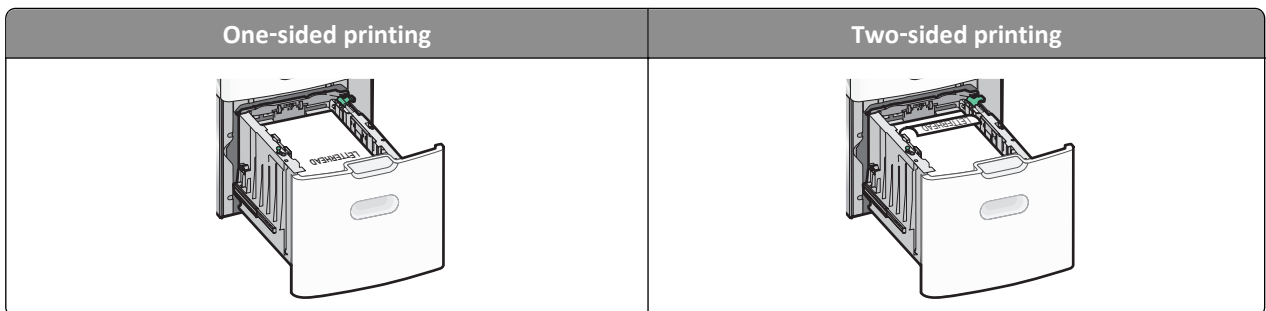


- 5 Flex the sheets back and forth to loosen them. Do not fold or crease the paper. Straighten the edges on a level surface.



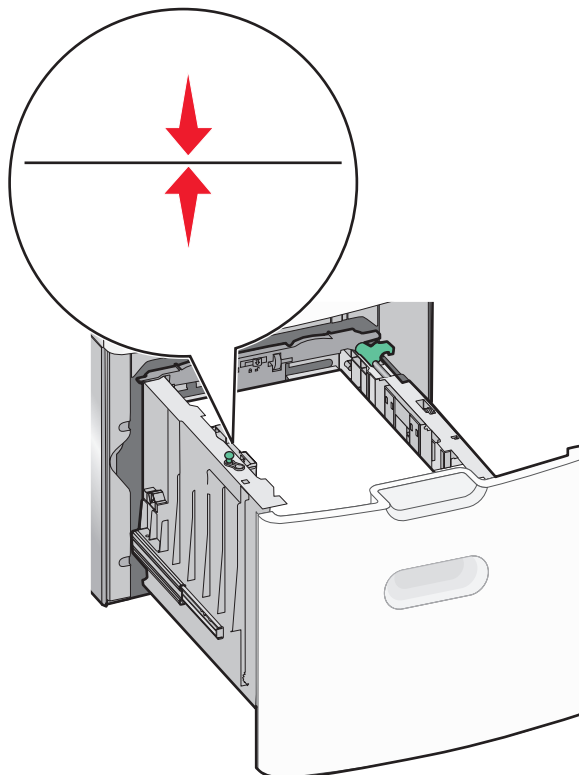
- 6 Load the paper stack:

- Printable side faceup for one-sided printing
- Printable side facedown for two-sided printing



- Make sure paper does not exceed the maximum paper fill indicator located on the side of the tray.

Warning—Potential Damage: Overloading the tray may cause paper jams and possible printer damage.



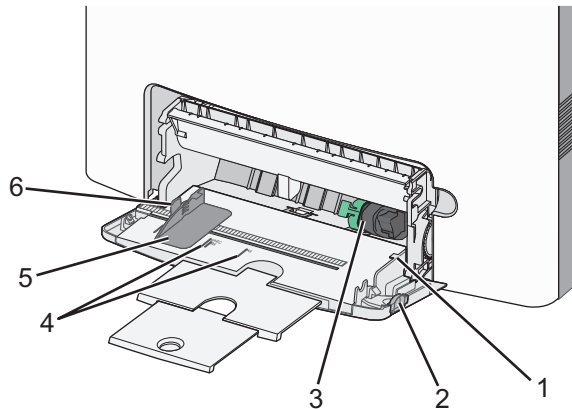
- 7 Insert the tray.

Loading the multipurpose feeder

The multipurpose feeder can hold approximately:

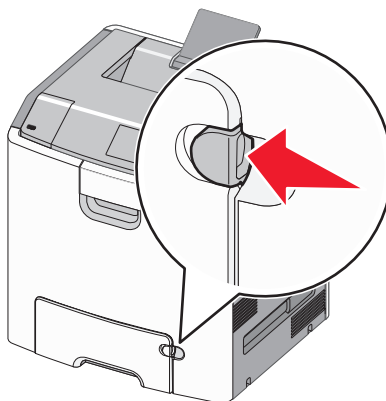
- 100 sheets of 75-g/m² (20-lb) paper
- 10 envelopes
- 75 transparencies

Note: Do not add or remove paper or specialty media while the printer prints from the multipurpose feeder or when the printer control panel indicator light is blinking. Doing so may cause a jam.

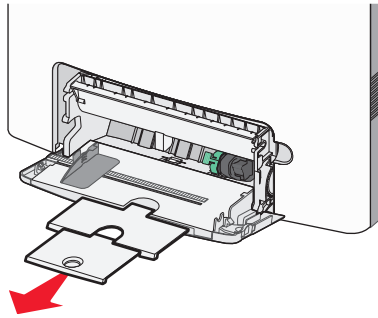


1	Maximum paper fill indicator
2	Tray release latch
3	Paper release lever
4	Paper size indicators
5	Paper width guide
6	Width guide release tab

1 Press the tray release latch to the left, and then pull the multipurpose feeder down.

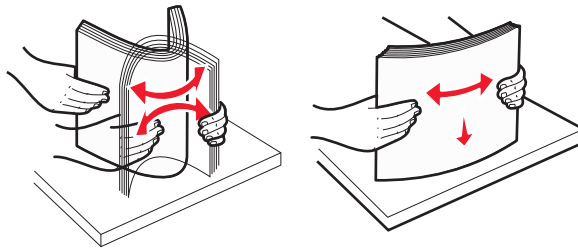


- 2 Gently pull the extension out until it is fully extended.

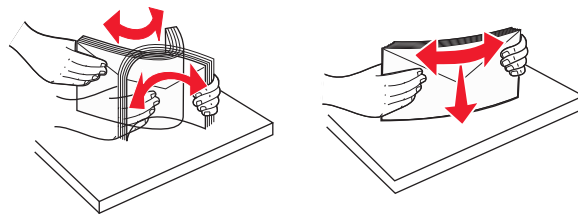


- 3 Flex the sheets back and forth to loosen them. Do not fold or crease the paper. Straighten the edges on a level surface.

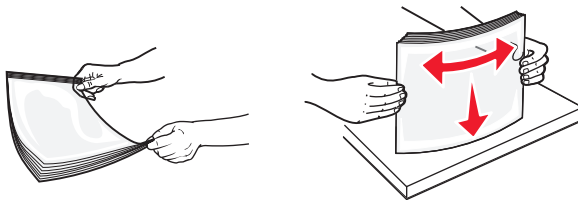
Paper



Envelopes

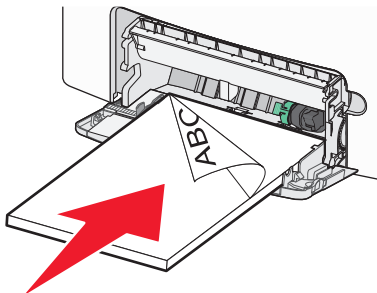


Transparencies*



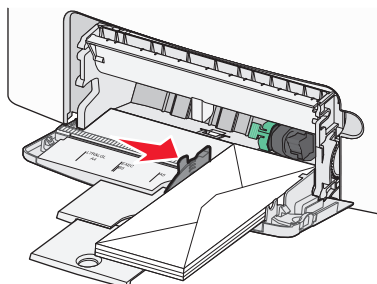
* Avoid touching the printable side of transparencies. Be careful not to scratch them.

- 4 Load the paper or specialty media. Slide the stack into the multipurpose feeder until it comes to a stop.

**Notes:**

- Make sure paper or specialty media does not exceed the maximum paper fill indicator.
- Load only one size and type of paper or specialty media at a time.
- Paper or specialty media should lie flat and fit loosely in the multipurpose feeder.
- If the paper or specialty media is pushed too far into the multipurpose feeder, then press the paper release lever to remove it.
- Load envelopes with the flap on the right side and the stamp edge entering the printer first.

Warning—Potential Damage: Never use envelopes with stamps, clasps, snaps, windows, coated linings, or self-stick adhesives. These envelopes may severely damage the printer.



Linking and unlinking trays

The printer links trays when the specified paper size and type are the same. When a linked tray becomes empty, paper feeds from the next linked tray. To prevent trays from linking, assign a unique custom paper type name.

Linking and unlinking trays

- 1 Open a Web browser, and then type the printer IP address in the address field.

Notes:

- View the printer IP address on the printer control panel in the TCP/IP section under the Network/Ports menu. The IP address appears as four sets of numbers separated by periods, such as 123.123.123.123.
- If you are using a proxy server, then temporarily disable it to load the Web page correctly.

- 2 Click **Settings > Paper Menu**.

- 3 Change the paper size and type settings for the trays you are linking.
 - To link trays, make sure the paper size and type for the tray match that of the other tray.
 - To unlink trays, make sure the paper size or type for the tray does *not* match that of the other tray.
- 4 Click **Submit**.

Note: You can also change the paper size and type settings using the printer control panel. For more information, see [“Setting the paper size and type” on page 38](#).

Warning—Potential Damage: Paper loaded in the tray should match the paper type name assigned in the printer. The temperature of the fuser varies according to the specified paper type. Printing issues may occur if settings are not properly configured.

Creating a custom name for a paper type





Using the Embedded Web Server

- 1 Open a Web browser, and then type the printer IP address in the address field.

Notes:

 - View the printer IP address in the TCP/IP section in the Network/Ports menu. The IP address appears as four sets of numbers separated by periods, such as 123.123.123.123.
 - If you are using a proxy server, then temporarily disable it to load the Web page correctly.
- 2 Click **Settings > Paper Menu > Custom Names**.
- 3 Select a custom name, and then type a new custom paper type name.
- 4 Click **Submit**.
- 5 Click **Custom Types**, and then verify if the new custom paper type name has replaced the custom name.

Using the printer control panel

- 1 From the printer control panel, navigate to:
 > **Settings** >  > **Paper Menu** >  > **Custom Names**
- 2 Select a custom name, and then type a new custom paper type name.
- 3 Press .
- 4 Press **Custom Types**, and then verify if the new custom paper type name has replaced the custom name.

Assigning a custom paper type

Using the Embedded Web Server

- 1 Open a Web browser, and then type the printer IP address in the address field.

Notes:

 - View the printer IP address in the TCP/IP section in the Network/Ports menu. The IP address appears as four sets of numbers separated by periods, such as 123.123.123.123.

- If you are using a proxy server, then temporarily disable it to load the Web page correctly.

2 Click **Settings > Paper Menu > Custom Types**.

3 Select a custom paper type name, and then select a paper type.

Note: Paper is the factory default paper type for all user-defined custom names.

4 Click **Submit**.

Using the printer control panel

1 From the printer control panel, navigate to:

 > **Settings** >  > **Paper Menu** >  > **Custom Types**

2 Select a custom paper type name, and then select a paper type.

Note: Paper is the factory default paper type for all user-defined custom names.

3 Press .

Printing

Printing a document

Printing a document

- 1** From the Paper menu on the printer control panel, set the paper type and size to match the paper loaded.
- 2** Send the print job:

For Windows users

- a** With a document open, click **File > Print**.
- b** Click **Properties, Preferences, Options, or Setup**.
- c** Adjust the settings, if necessary.
- d** Click **OK > Print**.

For Macintosh users

- a** Customize the settings in the Page Setup dialog if necessary:
 - 1** With a document open, choose **File > Page Setup**.
 - 2** Choose a paper size or create a custom size to match the paper loaded.
 - 3** Click **OK**.
- b** Customize the settings in the Page Setup dialog if necessary:
 - 1** With a document open, choose **File > Print**.
If necessary, click the disclosure triangle to see more options.
 - 2** From the Print dialog and pop-up menus adjust the settings if necessary.

Note: To print on a specific paper type, adjust the paper type setting to match the paper loaded, or select the appropriate tray or feeder.

- 3 Click **Print**.

Printing in black and white

From the printer control panel, navigate to:

 > **Settings** > **Settings** > **Print Settings** > **Quality Menu** > **Print Mode** > **Black Only** > 

Adjusting toner darkness

Using the Embedded Web Server

- 1 Open a Web browser, and then type the IP address of the printer in the address field.

Notes:

- View the printer IP address in the TCP/IP section in the Network/Ports menu. The IP address appears as four sets of numbers separated by periods, such as 123.123.123.123.
- If you are using a proxy server, then temporarily disable it to load the Web page correctly.

- 2 Click **Settings** > **Print Settings** > **Quality Menu** > **Toner Darkness**.

- 3 Adjust the toner darkness, and then click **Submit**.

Using the printer control panel

- 1 From the printer control panel, navigate to:

 > **Settings** >  > **Settings** >  > **Print Settings** >  > **Quality Menu** >  > **Toner Darkness**

- 2 Adjust the toner darkness, and then press .

Using Max Speed and Max Yield

The Max Speed and Max Yield settings let you choose between a faster print speed or a higher toner yield. Max Yield is the factory default setting.

- **Max Speed**—This lets you print in either black or color depending on what is set in the printer driver. The printer prints in color unless Black Only is selected in the printer driver.
- **Max Yield**—This lets you switch from black to color based on the color content found on each page. Frequent color mode switching can result in slower printing if the content of pages is mixed.

Using the Embedded Web Server

- 1 Open a Web browser, and then type the printer IP address in the address field.



Notes:

- View the printer IP address in the TCP/IP section in the Network/Reports menu. The IP address appears as four sets of numbers separated by periods, such as 123.123.123.123.
- If you are using a proxy server, then temporarily disable it to load the Web page correctly.

- 2 Click **Settings** > **Print Settings** > **Setup Menu**.

- 3 From the Printer Usage list, select **Max Speed** or **Max Yield**.
- 4 Click **Submit**.

Using the printer control panel

- 1 From the printer control panel, navigate to:
 > **Settings** > **Settings** > **Print Settings** > **Setup Menu**
- 2 From the Printer Usage list, select **Max Speed** or **Max Yield**.
- 3 Press .

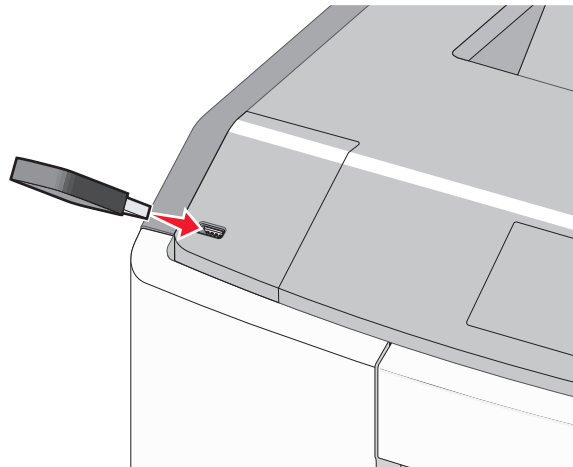
Printing from a flash drive or mobile device

Printing from a flash drive

Notes:

- Before printing an encrypted PDF file, you will be prompted to enter the file password from the printer control panel.
- You cannot print files for which you do not have printing permissions.

- 1 Insert a flash drive into the USB port.



Notes:

- A flash drive icon appears on the home screen and in the held jobs icon when a flash drive is installed.
- If you insert the flash drive when the printer requires attention, such as when a jam has occurred, then the printer ignores the flash drive.
- If you insert the flash drive while the printer is processing other print jobs, then **Busy** appears. After these print jobs are processed, you may need to view the held jobs list to print documents from the flash drive.

Warning—Potential Damage: Do not touch the USB cable, any network adapter, any connector, the memory device, or the printer in the areas shown while actively printing, reading, or writing from the memory device. A loss of data can occur.



- 2 From the printer control panel, select the document you want to print.
- 3 Press the left or right arrow button to specify the number of copies for printing, and then press **OK**.

Notes:

- Do not remove the flash drive from the USB port until the document has finished printing.
- If you leave the flash drive in the printer after leaving the initial USB menu screen, then you can still print files from the flash drive as held jobs.

Supported flash drives and file types

Flash drive	File type
<ul style="list-style-type: none"> • Lexar JumpDrive 2.0 Pro (256MB, 512MB, or 1GB sizes) • SanDisk Cruzer Mini (256MB, 512MB, or 1GB sizes) <p>Notes:</p> <ul style="list-style-type: none"> • Hi-Speed USB flash drives must support the full-speed standard. Devices supporting only USB low-speed capabilities are not supported. • USB flash drives must support the File Allocation Table (FAT) system. Devices formatted with New Technology File System (NTFS) or any other file system are not supported. 	<p>Documents:</p> <ul style="list-style-type: none"> • .pdf • .xps <p>Images:</p> <ul style="list-style-type: none"> • .dcx • .gif • .JPEG or .jpg • .bmp • .pcx • .TIFF or .tif • .png • .fls

Printing from a mobile device

To download a compatible mobile printing application, visit www.lexmark.com/mobile.

Note: Mobile printing applications may also be available from your mobile device manufacturer.

Printing confidential and other held jobs

Storing print jobs in the printer

- 1 From the printer control panel, navigate to:

 > **Settings** >  > **Security** >  > **Confidential Print** > select the print job type

Print job type	Description
Max Invalid PIN	Limits the number of times an invalid PIN can be entered. Note: When the limit is reached, the print jobs for that user name and PIN are deleted.
Confidential Job Expiration	Lets you hold print jobs in the computer until you enter the PIN from the printer control panel. Note: The PIN is set from the computer. It must be four digits, using the numbers 0–9.
Repeat Job Expiration	Lets you print <i>and</i> store print jobs in the printer memory for reprinting.
Verify Job Expiration	Lets you print one copy of a print job while the printer holds the remaining copies. It allows you to examine if the first copy is satisfactory. The print job is automatically deleted from the printer memory once all copies are printed.
Reserve Job Expiration	Lets you store print jobs for printing at a later time. The print jobs are held until deleted from the Held Jobs menu.
Notes: <ul style="list-style-type: none"> • Confidential, Verify, Reserve, and Repeat print jobs may be deleted if the printer requires extra memory to process additional held jobs. • You can set the printer to store print jobs in the printer memory until you start the print job from the printer control panel. • All print jobs that can be initiated by the user at the printer are called <i>held jobs</i>. 	

- 2 Press .

Printing confidential and other held jobs

Note: Confidential and Verify print jobs are automatically deleted from memory after printing. Repeat and Reserve jobs are held in the printer until you choose to delete them.

For Windows users

- 1 With a document open, click **File** > **Print**.
- 2 Click **Properties, Preferences, Options, or Setup**.
- 3 Click **Print and Hold**.
- 4 Select the print job type (Confidential, Repeat, Reserve, or Verify), and then assign a user name. For a confidential print job, also enter a four-digit PIN.
- 5 Click **OK** or **Print**.





- 6 From the printer control panel, release the print job.
 - For confidential print jobs, navigate to:
Held jobs > select your user name > **Confidential Jobs** > enter the PIN > select the print job > specify the number of copies > **Print**
 - For other print jobs, navigate to:
Held jobs > select your user name > select the print job > specify the number of copies > **Print**

For Macintosh users

- 1 With a document open, choose **File** > **Print**.
If necessary, click the disclosure triangle to see more options.
- 2 From the print options or Copies & Pages pop-up menu, choose **Job Routing**.
- 3 Select the print job type (Confidential, Repeat, Reserve, or Verify), and then assign a user name. For a confidential print job, also enter a four-digit PIN.
- 4 Click **OK** or **Print**.
- 5 From the printer control panel, release the print job:
 - For confidential print jobs, navigate to:
Held jobs > select your user name > **Confidential Jobs** > enter the PIN > select the print job > specify the number of copies > **Print**
 - For other print jobs, navigate to:
Held jobs > select your user name > select the print job > specify the number of copies > **Print**

Printing information pages

Printing a font sample list

- 1 From the printer control panel, navigate to:
 > **Settings** >  > **Reports** >  > **Print Fonts**
- 2 Press the up or down arrow button to select the font setting.
- 3 Press .

Note: The PPDS fonts appear only when the PPDS data stream is activated.

Printing a directory list




From the printer control panel, navigate to:

 > **Settings** > **Reports** >  > **Print Directory** > 

Note: The Print Directory menu item appears only when an optional flash memory or printer hard disk is installed.

Canceling a print job

Canceling a print job from the printer control panel

- 1 From the printer control panel, press .
- 2 When a list of print jobs appears, select the job to cancel, and then press .
- 3 Press  to go back to the home screen.

Canceling a print job from the computer

For Windows users

- 1 Open the printers folder, and then select your printer.
- 2 From the print queue, select the print job you want to cancel, and then delete it.

For Macintosh users

- 1 From System Preferences in the Apple menu, navigate to your printer.
- 2 From the print queue, select the print job you want to cancel, and then delete it.

Managing your printer

Finding advanced networking and administrator information

This chapter covers basic administrative support tasks using the Embedded Web Server. For more advanced system support tasks, see the *Networking Guide* on the *Software and Documentation* CD or the *Embedded Web Server — Security: Administrator's Guide* on the Lexmark support Web site at <http://support.lexmark.com>.

Checking the virtual display

- 1 Open a Web browser, and then type the printer IP address in the address field.

Notes:

- View the printer IP address in the TCP/IP section in the Network/Reports menu. The IP address appears as four sets of numbers separated by periods, such as 123.123.123.123.
- If you are using a proxy server, then temporarily disable it to load the Web page correctly.

- 2 Check the virtual display that appears at the top left corner of the screen.

The virtual display works as an actual display would work on a printer control panel.

Printing a menu settings page

Print a menu settings page to view the current menu settings and to verify if the printer options are installed correctly.

From the printer control panel, navigate to:

 > **Settings** > **Reports** >  > **Menu Settings Page** > 

Note: If you have not changed any menu settings, then the menu settings page lists all the factory default settings. Settings saved from the menus replace the factory default settings as *user default settings*. A user default setting remains in effect until you access the menu again, select another value, and save it.

Printing a network setup page

If the printer is attached to a network, then print a network setup page to verify the network connection. This page also provides important information that aids network printing configuration.

- 1 From the printer control panel, navigate to:

 > **Settings** > **Reports** >  > **Network Setup Page** > 

Note: If an optional internal print server is installed, then **Print Network [x] Setup Page** appears.

- 2 Check the first section of the network setup page, and confirm that the status is **Connected**.

If the status is **Not Connected**, then the LAN drop may not be active, or the network cable may be malfunctioning. Consult your system support person for a solution, and then print another network setup page.

Checking the status of parts and supplies

Checking the status of parts and supplies on the printer control panel

From the printer control panel, navigate to:

 > **Status/Supplies** >  **View Supplies** > 

Checking the status of parts and supplies from the Embedded Web Server

Note: Make sure the computer and printer are connected to the same network.

- 1 Open a Web browser, and then type the printer IP address in the address field.

Notes:

- View the printer IP address in the TCP/IP section in the Network/Reports menu. The IP address appears as four sets of numbers separated by periods, such as 123.123.123.123.
- If you are using a proxy server, then temporarily disable it to load the Web page correctly.

- 2 Click **Device Status** > **More Details**.

Saving energy

Using Eco-Mode

- 1 Open a Web browser, and then type the printer IP address in the address field.

Notes:

- View the printer IP address in the TCP/IP section in the Network/Ports menu. The IP address appears as four sets of numbers separated by periods, such as 123.123.123.123.
- If you are using a proxy server, then temporarily disable it to load the Web page correctly.

2 Click **Settings > General Settings > Eco-Mode**.

3 Select a setting.

Use	To
Off	Use the factory default settings for all settings associated with Eco-Mode. Notes: <ul style="list-style-type: none"> • Settings that were changed when other modes were selected are reset to the factory default settings. • Off supports the performance specifications of the printer.
Energy	Reduce energy use, especially when the printer is idle. Notes: <ul style="list-style-type: none"> • Printer engine motors do not start until a document is ready to print. You may notice a short delay before the first page is printed. • The printer enters Sleep mode after one minute of inactivity. • The printer display is turned off when the printer is in Sleep mode. • Lights on the staple finisher and other optional finishers are turned off when the printer is in Sleep mode.
Energy/Paper	Use all the settings associated with Energy and Paper modes.
Plain Paper	Enable the automatic two-sided (duplex) printing feature.

4 Click **Submit**.

Reducing printer noise

Use Quiet Mode to reduce the printer noise.

1 From the printer control panel, navigate to:

 > **Settings** > **Settings** >  > **General Settings** >  > **Quiet Mode** >  > select a setting you want

Use	To
On	Reduce printer noise. <ul style="list-style-type: none"> • Print jobs will process at a reduced speed. • Printer engine motors do not start until a document is ready to print. There is a short delay before the first page is printed. • If your printer has faxing capability, then fax sounds are reduced or disabled, including those made by the fax speaker and ringer. The fax is placed in standby mode. • The alarm control and cartridge alarm sounds are turned off. • The printer will ignore the Advance Start command.
Off	Use factory default settings. This setting supports the performance specifications of the printer. Note: Selecting Photo from the printer driver may disable Quiet Mode and provide better print quality and full speed printing.

2 Press .

Adjusting Sleep mode

1 From the control panel, navigate to:

 > **Settings** >  > **Settings** >  > **General Settings** >  > **Timeouts** >  > **Sleep Mode** > 

2 In the Sleep Mode field, select the number of minutes the printer is idle before it enters Sleep mode.

3 Apply the changes.

Using Hibernate mode

Hibernate is an ultra-low-power saving mode.

Notes:

- Three days is the default amount of time before the printer enters Hibernate mode.
- Make sure to wake the printer from Hibernate mode before sending a print job. A hard reset or a long press of the Sleep button wakes the printer from Hibernate mode.
- If the printer is in Hibernate mode, then the Embedded Web Server is disabled.

1 From the control panel, navigate to:

 > **Settings** >  > **Settings** >  > **General Settings** > 

2 Select **Press Sleep Button** or **Press and Hold Sleep Button**, and then press .

3 Press **Hibernate** > .

Restoring factory default settings

If you want to keep a list of the current menu settings for reference, then print a menu settings page before restoring the factory default settings. For more information, see [“Printing a menu settings page” on page 60](#).

If you want a more comprehensive method of restoring the printer factory default settings, then perform the Wipe All Settings option. For more information, see [“Erasing non-volatile memory” on page 65](#).

Warning—Potential Damage: Restoring factory defaults returns most printer settings to the original factory default settings. Exceptions include the display language, custom sizes and messages, and network/port menu settings. All downloads stored in the RAM are deleted. Downloads stored in the flash memory or in printer hard disk are not affected.

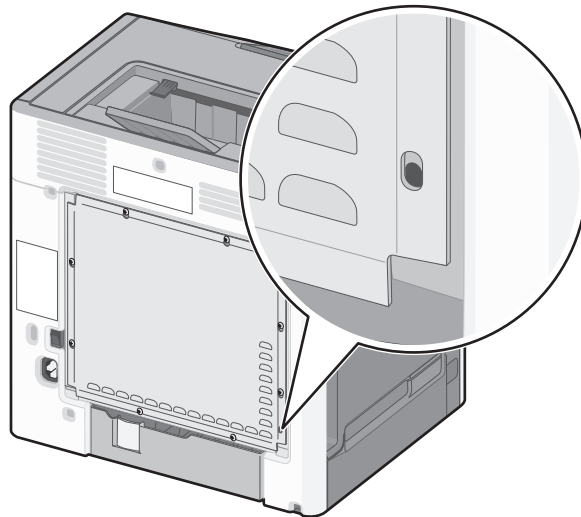
From the printer control panel, navigate to:

 > Settings > Settings >  > General Settings >  > Factory Defaults >  > Restore Now > 

Securing the printer

Locking the system board

To lock access to the system board, attach a security lock to the printer in the location identified in the illustration. The printer is compatible with most laptop computer security locks.



Statement of Volatility

Your printer contains various types of memory that can store printer and network settings, and user data.

Types of memory	Description
Volatile memory	Your printer uses standard <i>Random Access Memory</i> (RAM) to temporarily buffer user data during simple print and copy jobs.
Non-volatile memory	Your printer may use two forms of non-volatile memory: EEPROM and NAND (flash memory). Both types are used to store the operating system, device settings, network information, scanner and bookmark settings, and embedded solutions.

Types of memory	Description
Hard disk memory	Some printers have a hard disk drive installed. The printer hard disk is designed for device-specific functionality. This lets the device retain buffered user data from complex scan, print, copy, and fax jobs, as well as form data and font data.

Erase the contents of any installed printer memory in the following circumstances:

- The printer is being decommissioned.
- The printer hard disk is being replaced.
- The printer is being moved to a different department or location.
- The printer is being serviced by someone from outside your organization.
- The printer is being removed from your premises for service.
- The printer is being sold to another organization.

Disposing of a printer hard disk

Note: Some printer models may not have a printer hard disk installed.

In high-security environments, it may be necessary to take additional steps to make sure that confidential data stored in the printer hard disk cannot be accessed when the printer—or its hard disk—is removed from your premises.

- **Degaussing**—Flushes the hard disk with a magnetic field that erases stored data
- **Crushing**—Physically compresses the hard disk to break component parts and render them unreadable
- **Milling**—Physically shreds the hard disk into small metal bits

Note: Most data can be erased electronically, but the only way to guarantee that all data is completely erased is to physically destroy each hard disk where data is stored.

Erasing volatile memory

The volatile memory (RAM) installed in your printer requires a power source to retain information. To erase the buffered data, turn off the printer.

Erasing non-volatile memory

- **Individual settings, device and network settings, security settings, and embedded solutions**—Erase information and settings by selecting **Wipe All Settings** in the Configuration menu.
- **Fax data**—Erase fax settings and data by selecting **Wipe All Settings** in the Configuration menu.

1 Turn off the printer.

2 Hold down **2** and **6** while turning the printer on. Release the buttons only when the screen with the progress bar appears.

The printer performs a power-on sequence, and then the Configuration menu appears. When the printer is fully powered up, the printer displays a list of functions.

- 3 Press the up or down arrow button until **Wipe All Settings** appears.

The printer will restart several times during this process.

Note: Wipe All Settings securely removes device settings, solutions, jobs, faxes, and passwords from the printer memory.

- 4 Navigate to:

Back > Exit Config Menu

The printer will perform a power-on reset, and then return to normal operating mode.

Erasing printer hard disk memory

Notes:

- Some printer models may not have a printer hard disk installed.
- Configuring Erase Temporary Data Files in the printer menus lets you remove residual confidential material left by print jobs by securely overwriting files that have been marked for deletion.

Using the printer control panel

- 1 Turn off the printer.
- 2 Hold down **2** and **6** while turning the printer on. Release the buttons only when the screen with the progress bar appears.

The printer performs a power-on sequence, and then the Configuration menu appears. When the printer is fully turned on, a list of functions appears on the printer display.

- 3 Press the up or down arrow button until **Wipe Disk** appears, and then select one of the following:
 - **Wipe disk (fast)**—This lets you overwrite the disk with all zeroes in a single pass.
 - **Wipe disk (secure)**—This lets you overwrite the disk with random bit patterns several times, followed by a verification pass. A secure overwrite is compliant with the DoD 5220.22-M standard for securely erasing data from a hard disk. Highly confidential information should be wiped using this method.
- 4 Press the up or down arrow button until **Yes** appears, and then proceed with disk wiping.

Notes:

- A status bar will indicate the progress of the disk wiping task.
- Disk wiping can take from several minutes to more than an hour, during which the printer will be unavailable for other user tasks.

- 5 Navigate to:

Back > Exit Config Menu

The printer will perform a power-on reset, and then return to normal operating mode.

Configuring printer hard disk encryption

Enable hard disk encryption to prevent loss of sensitive data in the event the printer or its hard disk is stolen.

Note: Some printer models may not have a printer hard disk installed.

Using the Embedded Web Server

- 1 Open a Web browser, and then type the printer IP address in the address field.

Notes:

- View the printer IP address in the TCP/IP section in the Network/Ports menu. The IP address appears as four sets of numbers separated by periods, such as 123.123.123.123.
- If you are using a proxy server, then temporarily disable it to load the Web page correctly.

- 2 Click **Settings > Security > Disk Encryption**.

Note: Disk Encryption appears in the Security menu only when a formatted, non-defective printer hard disk is installed.

- 3 From the Disk Encryption menu, select **Enable**.

Notes:

- Enabling disk encryption will erase the content of the printer hard disk.
- Disk encryption can take from several minutes to more than an hour, during which the printer will be unavailable for other user tasks.

Using the printer control panel

- 1 Turn off the printer.
- 2 Hold down **2** and **6** while turning the printer on. Release the buttons only when the screen with the progress bar appears.

The printer performs a power-on sequence, and then the Configuration menu appears. When the printer is fully turned on, a list of functions appears on the printer display.

- 3 Navigate to:

Disk Encryption > Enable

Note: Enabling disk encryption will erase the contents of the printer hard disk.

- 4 Select **Yes** to proceed with disk wiping.

Notes:

- Do not turn off the printer during the encryption process. Doing so may result in loss of data.
- Disk encryption can take from several minutes to more than an hour, during which the printer will be unavailable for other user tasks.
- A status bar will indicate the progress of the disk wiping task. After the disk has been encrypted, the printer will return to the screen for enabling or disabling disk encryption.

- 5 Navigate to:

Back > Exit Config Menu

The printer will perform a power-on reset, and then return to normal operating mode.

Finding printer security information

In high-security environments, it may be necessary to take additional steps to make sure that confidential data stored in the printer cannot be accessed by unauthorized persons. For more information, visit the [Lexmark security Web page](#).

You can also see the *Embedded Web Server — Security: Administrator's Guide* for additional information:

- 1 Go to www.lexmark.com, and then navigate to **Support & Downloads** > select your printer.
- 2 Click the **Manuals** tab, and then select *Embedded Web Server — Security: Administrator's Guide*.

Using C748x

Learning about the printer

Selecting a location for the printer

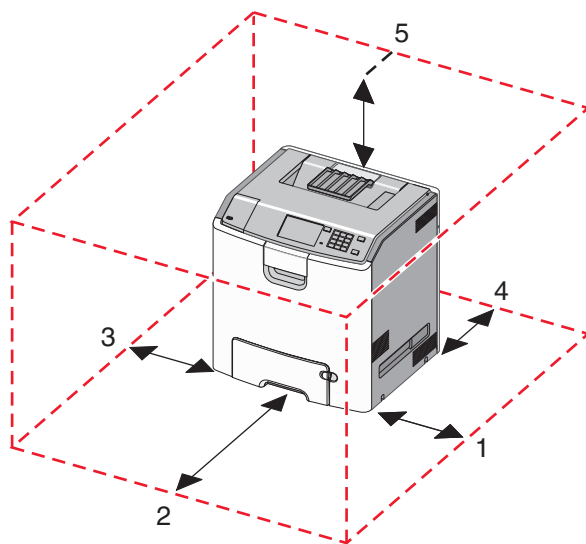
⚠ CAUTION—POTENTIAL INJURY: The printer weight is greater than 18 kg (40 lb) and requires two or more trained personnel to lift it safely.

When selecting a location for the printer, leave enough room to open trays, covers, and doors. If you plan to install any options, then leave enough room for them also. It is important to:

- Set up the printer near a properly grounded and easily accessible electrical outlet.
- Make sure airflow in the room meets the latest revision of the ASHRAE 62 standard or the CEN Technical Committee 156 standard.
- Provide a flat, sturdy, and stable surface.
- Keep the printer:
 - Clean, dry, and free of dust.
 - Away from stray staples and paper clips.
 - Away from the direct airflow of air conditioners, heaters, or ventilators.
 - Free from direct sunlight and humidity extremes.
- Observe the recommended temperatures and avoid fluctuations:

Ambient temperature	15.6 to 32.2°C (60 to 90°F)
Storage temperature	-40 to 40°C (-40 to 104°F)

- Allow the following recommended amount of space around the printer for proper ventilation:



1	Right side	100 mm (3.9 in.)
2	Front	400 mm (15.7 in.)

3	Left side	150 mm (5.9 in.)
4	Rear	100 mm (3.9 in.)
5	Top	150 mm (5.9 in.)

Printer configurations

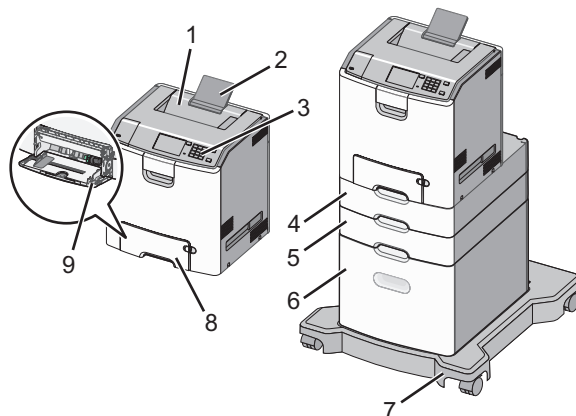
CAUTION—TIPPING HAZARD: Floor-mounted configurations require additional furniture for stability. You must use either a printer stand or printer base if you are using a high-capacity input tray, a duplex unit and an input option, or more than one input option. If you purchased a multifunction printer (MFP) that scans, copies, and faxes, you may need additional furniture. For more information, see www.lexmark.com/multifunctionprinters.

You can configure your basic printer by adding up to three 550-sheet optional drawers and a 2,000-sheet high-capacity feeder. A caster base and a spacer are supported in any configurations.

Spacers are nonfunctional trays used to add height to a printer stack. Spacers must be:

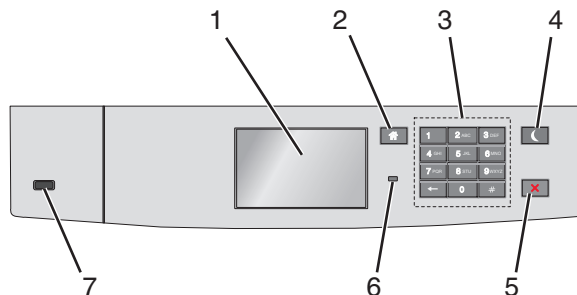
- Placed directly on a caster base or table top
- Placed at the bottom of all tray stacks, and cannot be used with an optional 2,000-sheet high-capacity drawer.

For information on installing a spacer, see the instruction sheet that came with the part.



1	Standard output bin
2	Paper support
3	Printer control panel
4	Optional 550-sheet specialty media drawer
5	Optional 550-sheet drawer
6	Optional 2,000-sheet high-capacity feeder
7	Caster base
8	Standard 550-sheet drawer (Tray 1)
9	Multipurpose feeder

Using the touch-screen printer control panel



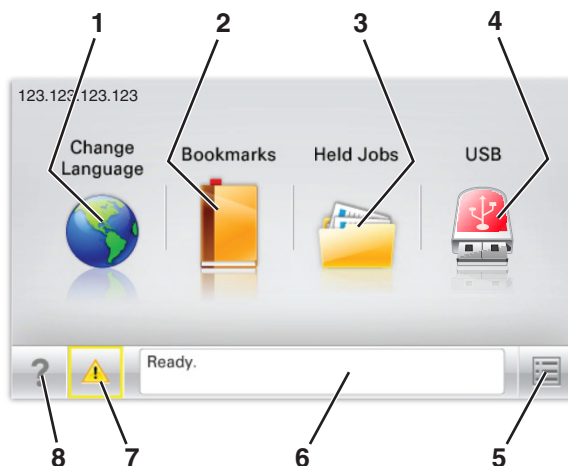
	Use the	To
1	Display	View the printer status. Allow printer setup and operation.
2	Home button	Return to the home screen.
3	Keypad	Enter numbers, letters, or symbols.
4	Sleep button	<p>Enable Sleep mode.</p> <p>The following are the statuses based on the indicator light and the Sleep button:</p> <ul style="list-style-type: none"> • Entering or waking from Sleep mode <ul style="list-style-type: none"> – The indicator light is illuminated solid green. – The sleep button is unilluminated. • Operating in Sleep mode <ul style="list-style-type: none"> – The indicator light is illuminated solid green. – The sleep button is illuminated solid amber. • Entering or waking from Hibernate mode <ul style="list-style-type: none"> – The indicator light is illuminated solid green. – The sleep button is illuminated blinking amber. • Operating in Hibernate mode <ul style="list-style-type: none"> – The indicator light is unilluminated. – The sleep button is blinking amber for 0.1 of a second, then goes completely unilluminated for 1.9 seconds in pulsing pattern. <p>The following actions wake the printer from Sleep mode:</p> <ul style="list-style-type: none"> • Touching the screen or pressing any hard button • Opening Tray 1 or loading paper in the multipurpose feeder • Opening a door or cover • Sending a print job from the computer • Performing a power-on reset with the main power switch • Attaching a device to a USB port
5	Stop or Cancel button	<p>Stop all printer activity.</p> <p>Note: A list of options is displayed when Stopped appears on the display.</p>

	Use the	To
6	Indicator light	Check the status of the printer. <ul style="list-style-type: none"> • Off—The printer is off. • Blinking green—The printer is warming up, processing data, or printing. • Solid green—The printer is on, but idle. • Blinking red—The printer requires operator intervention.
7	USB port	Connect a flash drive to the printer.

Understanding the home screen

When the printer is turned on, the display shows a basic screen, referred to as the home screen. Use the home screen buttons and icons to initiate an action.

Note: Your home screen, icons, and the buttons may vary depending on your home screen customization settings, administrative setup, and active embedded solutions.





Touch		To
1	Change Language	Change the primary language of the printer.
2	Bookmarks	Create, organize, and save a set of bookmarks (URLs) into a tree view of folders and file links. Note: The tree view does not include bookmarks created within Forms and Favorites, and the ones in the tree are not usable in Forms and Favorites.
3	Held Jobs	Display all current held jobs.
4	USB or USB Thumbdrive	View, select, or print photos and documents from a flash drive. Note: This icon appears only when you return to the home screen while a memory card or flash drive is connected to the printer.
5	Menus	Access printer menus. Note: These menus are available only when the printer is in the Ready state.
6	Status message bar	<ul style="list-style-type: none"> • Show the current printer status such as Ready or Busy. • Show printer conditions such as Fuser missing or Cartridge Low. • Show intervention messages and the instructions on how to clear them.

Touch		To
7	Status/Supplies	<ul style="list-style-type: none"> • Display a warning or error message whenever the printer requires intervention to continue processing. • Access the messages screen for more information on the message, and how to clear it.
8	Tips	View a context-sensitive help information.

This may also appear on the home screen:

Touch	To
Search Held Jobs	Search current held jobs.

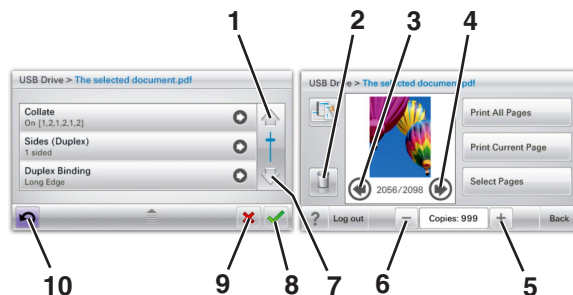
Features










Feature	Description
Attendance message alert 	If an attendance message affects a function, then this icon appears and the red indicator light blinks.
Warning 	If an error condition occurs, then this icon appears.
Printer IP address Example: 123 . 123 . 123 . 123	The IP address of your network printer is located at the top left corner of the home screen and appears as four sets of numbers separated by periods. You can use the IP address when accessing the Embedded Web Server so you can view and remotely configure printer settings even when you are not physically near the printer.


Using the touch-screen buttons

Note: Your home screen, icons, and buttons may vary depending on your home screen customization settings, administrative setup, and active embedded solutions.

Sample touch screen



	Touch	To
1	Up arrow 	Scroll up.
2	Delete folder 	Delete the file you selected.
3	Left arrow 	Scroll to the left.
4	Right arrow 	Scroll to the right.
5	Right scroll increase 	Scroll to another value in increasing order.
6	Left scroll decrease 	Scroll to another value in decreasing order.
7	Down arrow 	Scroll down.
8	Accept 	Save a setting.
9	Cancel 	<ul style="list-style-type: none">• Cancel an action or a selection.• Cancel out a screen and return to the previous screen.

	Touch	To
10	Back 	Navigate back to the previous screen.

Setting up and using the home screen applications

Notes:

- Your home screen may vary depending on your home screen customization settings, administrative setup, and active embedded applications. Some applications are supported only in some printer models.
- There may be additional solutions and applications available for purchase. For more information, go to www.lexmark.com or contact the place where you purchased the printer.

Accessing the Embedded Web Server

The Embedded Web Server is the printer Web page that lets you view and remotely configure printer settings even when you are not physically near the printer.

1 Obtain the printer IP address:

- From the printer control panel home screen
- From the **TCP/IP** section in the **Network/Ports** menu
- By printing a network setup page or menu settings page, and then finding the **TCP/IP** section

Note: An IP address appears as four sets of numbers separated by periods, such as 123 . 123 . 123 . 123.

2 Open a Web browser, and then type the printer IP address in the address field.

The Embedded Web Server page appears.

Showing or hiding icons on the home screen

1 Open a Web browser, and then type the printer IP address in the address field.

Note: View the printer IP address on the printer control panel home screen. The IP address appears as four sets of numbers separated by periods, such as 123.123.123.123.

2 Click **Settings > General Settings > Home screen customization**.

A list of basic printer functions appears.

3 Select the check boxes to specify which icons appear on the printer home screen.

Note: Cleared check box items are hidden.

4 Click **Submit**.

Activating the home screen applications


Finding information about the home screen applications


Your printer comes with preinstalled home screen applications. Before you can use these applications, you must first activate and set up these applications using the Embedded Web Server. For more information on accessing the Embedded Web Server, see [“Accessing the Embedded Web Server” on page 75](#).

For more information on configuring and using the home screen applications, do the following:


- 1 Go to <http://support.lexmark.com>.
- 2 Click **Software Solutions**, and then select either of the following:
 - **Scan to Network**—This lets you find information about the Scan to Network application.
 - **Other Applications**—This lets you find information about the other applications.
- 3 Click the **Manuals** tab, and then select the document for the home screen application.

Using Background and Idle Screen

Icon	Description
	<p>The application lets you customize the background and idle screen of your printer home screen.</p>

- 1 From the home screen, navigate to:
Change Background > select background to use
- 2 Touch .

Setting up Forms and Favorites

Icon	Description
	<p>The application helps you simplify and streamline work processes by letting you quickly find and print frequently used online forms directly from the home screen.</p> <p>Note: The printer must have permission to access the network folder, FTP site, or Web site where the bookmark is stored. From the computer where the bookmark is stored, use sharing, security, and firewall settings to allow the printer at least a <i>read</i> access. For help, see the documentation that came with your operating system.</p>

1 Open a Web browser, and then type the printer IP address in the address field.

Note: View the printer IP address on the printer control panel home screen. The IP address appears as four sets of numbers separated by periods, such as 123.123.123.123.


2 Click **Settings > Device Solutions > Solutions (eSF) > Forms and Favorites**.

3 Define the bookmarks, and then customize the settings.


4 Click **Apply**.

To use the application, touch **Forms and Favorites** on the printer home screen, and then navigate through form categories, or search for forms based on a form number, name, or description.

Understanding Eco-Settings

Icon	Description
	<p>The application lets you easily manage energy consumption, noise, toner, and paper usage settings to help reduce the environmental impact of your printer.</p>

Understanding Showroom

Icon	Description
	<p>The application lets you create and display a customized slide show on the touch screen of your printer. You can load images either from a flash drive or through the printer Embedded Web Server.</p>

Setting up Remote Operator Panel

This application shows the printer control panel on your computer screen and lets you interact with the printer control panel, even when you are not physically near the network printer. From your computer screen, you can view the printer status, release held print jobs, create bookmarks, and do other print-related tasks you might normally do while standing at the network printer.

1 Open a Web browser, and then type the printer IP address in the address field.

Note: View the printer IP address on the printer control panel home screen. The IP address appears as four sets of numbers separated by periods, such as 123.123.123.123.

2 Click **Settings > Device Solutions > Solutions (eSF) > Remote Operator Panel**.

- 3 Select the **Enabled** check box, and then customize the settings.
- 4 Click **Apply**.

To use the application, from the Embedded Web Server, click **Applications > Remote Operator Panel > Launch VNC Applet**.

Exporting and importing a configuration

You can export configuration settings into a text file, and then import the file to apply the settings to other printers.

- 1 Open a Web browser, and then type the printer IP address in the address field.

Note: View the IP address on the printer home screen. The IP address appears as four sets of numbers separated by periods, such as 123.123.123.123.

- 2 Export or import a configuration file for one or multiple applications.

For one application

- a Navigate to:
Settings > Apps > Apps Management > select an application > Configure
- b Export or import the configuration file.

Notes:

- If a **JVM Out of Memory** error occurs, then repeat the export process until the configuration file is saved.
- If a timeout occurs and a blank screen appears, then refresh the Web browser, and then click **Apply**.

For multiple applications

- a Click **Settings > Import/Export**.
- b Export or import a configuration file.

Note: When importing a configuration file, click **Submit** to complete the process.

Loading paper and specialty media

The selection and handling of paper and specialty media can affect how reliably documents print. For more information, see [“Avoiding jams” on page 188](#) and [“Storing paper” on page 114](#).

Setting the paper size and type

From the home screen navigate to:

 > **Paper Menu > Paper Size/Type > select a tray > select the paper size or type >** 

Configuring Universal paper settings

The Universal paper size is a user-defined setting that lets you print on paper sizes that are not preset in the printer menus.

Notes:

- The smallest supported Universal size is 76.2 x 127 mm (3 x 5 in.) and loaded only in the multipurpose feeder.
- The largest supported Universal size is 215.9 x 1219.2 mm (8.5 x 48 in.) and loaded only in the multipurpose feeder.

1 From the home screen, navigate to:



> **Paper Menu** > **Universal Setup** > **Units of Measure** > select the unit of measure >

2 Touch **Portrait Width** or **Portrait Height**.

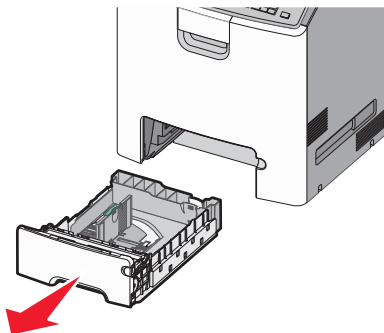
3 Select the width or height, and then touch .

Loading the standard or an optional 550-sheet tray

The printer has one standard 550-sheet tray (Tray 1) and may have up to four optional 550-sheet trays including the special media tray. For narrow paper sizes such as A6 and envelopes, use the special media tray. For more information, see [“Loading the optional 550-sheet special media tray” on page 82](#).

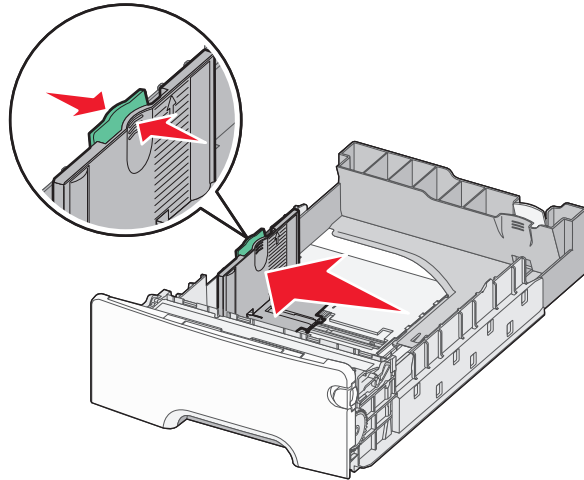
CAUTION—POTENTIAL INJURY: To reduce the risk of equipment instability, load each paper drawer or tray separately. Keep all other trays closed until needed.

1 Pull the tray completely out.

**Notes:**

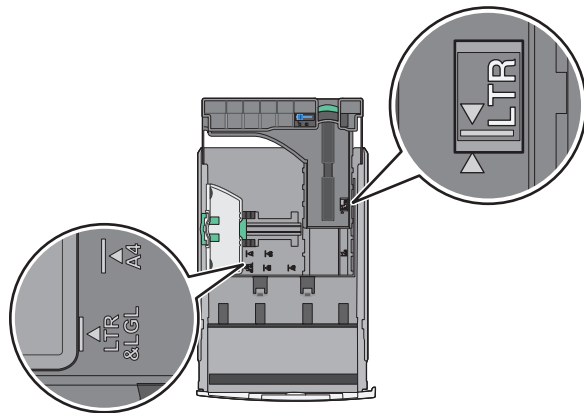
- Do not remove trays while a job prints or while **Busy** appears on the display. Doing so may cause a jam.
- The standard 550-sheet tray (Tray 1) does not automatically detect the paper size.

2 Squeeze and slide the width guide to the correct position for the paper size you are loading.



Notes:

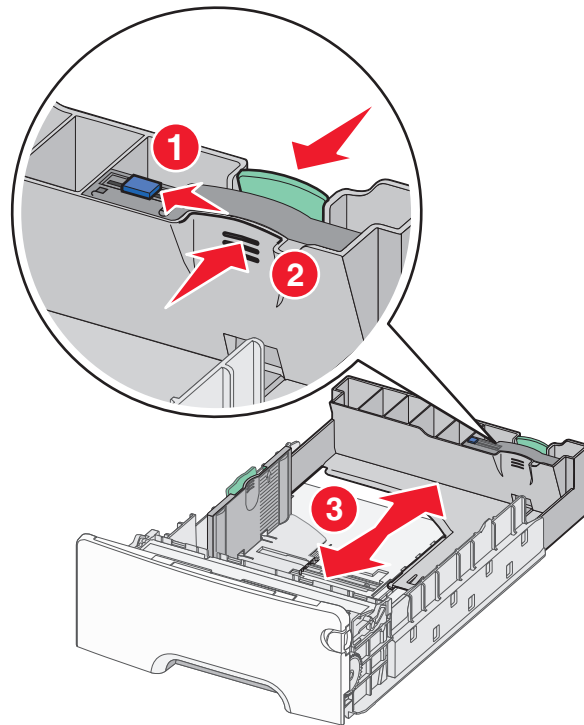
- Use the paper size indicators at the bottom of the tray to help position the length and width guides.
- Incorrect positioning of the width guide can cause paper jams.



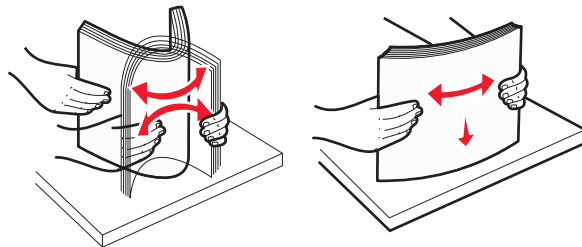
3 Squeeze and slide the length guide to the correct position for the paper size you are loading.

Notes:

- For some paper sizes like letter, legal, and A4, squeeze and slide the length guide backward to accommodate their length.
- The length guide has a locking device. To unlock, slide to the left the button on top of the length guide. To lock, slide the button to the right when a length is selected.



- 4** Flex the sheets back and forth to loosen them. Do not fold or crease the paper. Straighten the edges on a level surface.

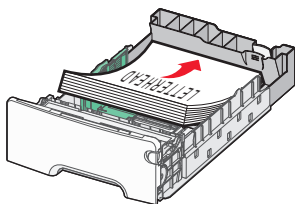


- 5** Load the paper stack toward the back of the tray with the recommended printable side faceup.

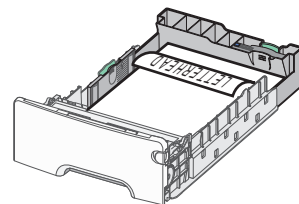
Notes:

- When loading preprinted letterhead for one-sided printing, place the letterhead faceup toward the front of the tray.
- When loading preprinted letterhead for two-sided printing, place the letterhead facedown toward the rear of the tray.

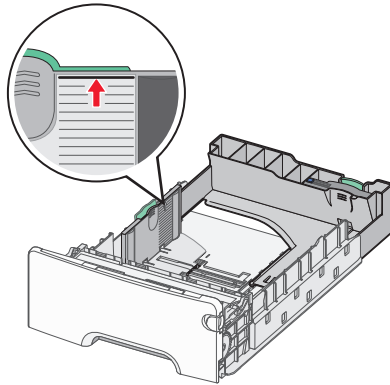
One-sided printing



Two-sided (Duplex) printing



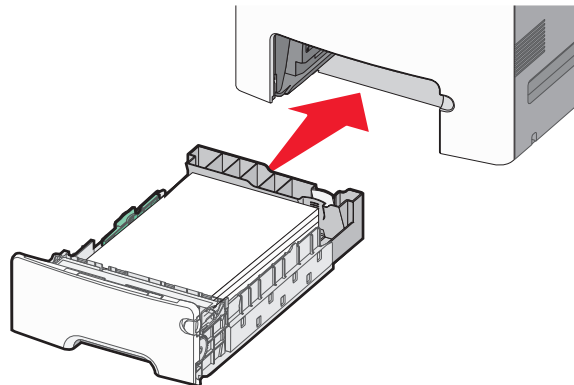
Note: Make sure the paper does not exceed the maximum paper fill indicator located on the left side of the tray.



Warning—Potential Damage: Overloading the tray can cause paper jams and possible printer damage.

6 Insert the tray.

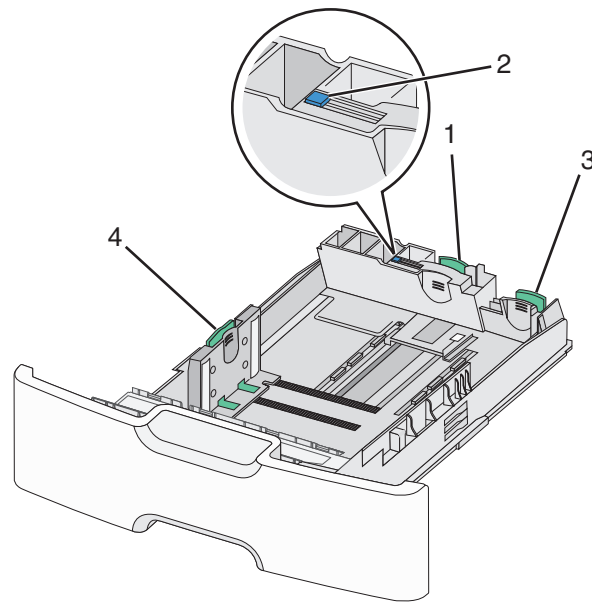
Note: For some paper sizes, the tray will extend past the back of the printer.



7 From the printer control panel, verify the paper size and paper type setting for the tray based on the paper you loaded.

Loading the optional 550-sheet special media tray

The optional 550-sheet special media tray (Tray 2) supports narrow paper sizes such as envelopes and A6.



1	Primary length guide
2	Length guide lock
3	Secondary length guide
4	Width guide

⚠ CAUTION—POTENTIAL INJURY: To reduce the risk of equipment instability, load each paper drawer or tray separately. Keep all other trays closed until needed.

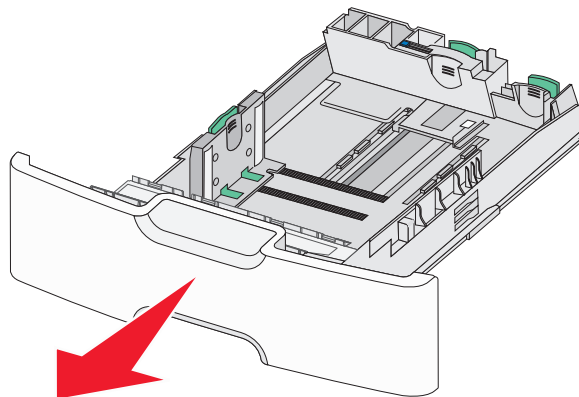
Notes:

- For instructions on loading paper sizes larger than A6 and envelopes, see [“Loading the standard or an optional 550-sheet tray” on page 79.](#)
- For a complete list of supported paper sizes, see the "Supported paper sizes, types, and weights" section in the *User's Guide*.

Loading narrow paper sizes such as envelopes and A6

- 1 Pull the tray completely out.

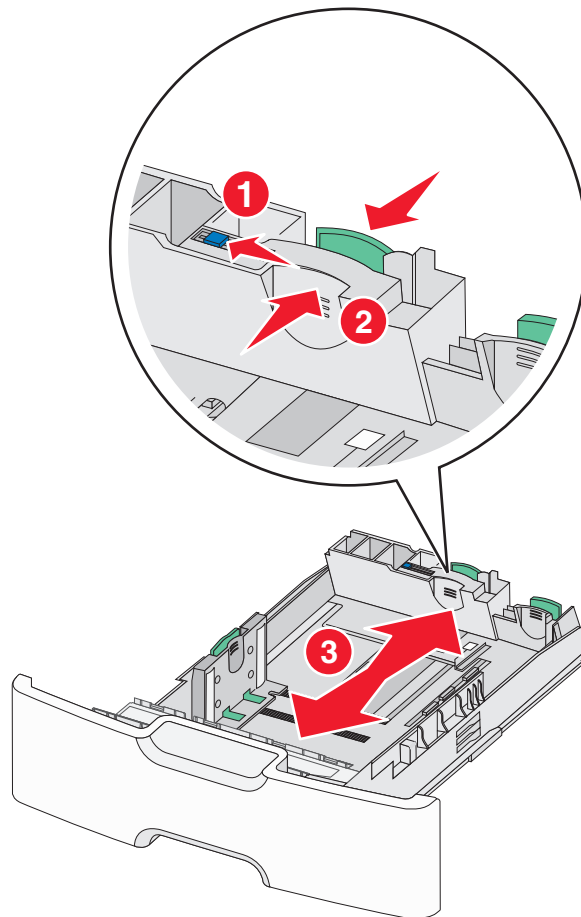
Note: Do not remove trays while a job prints or while **Busy** appears on the display. Doing so may cause a jam.



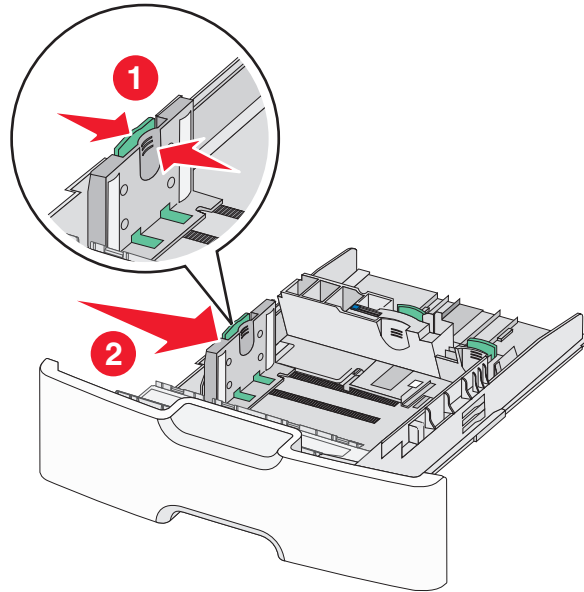
2 Squeeze and slide the primary length guide toward you until it stops.

Notes:

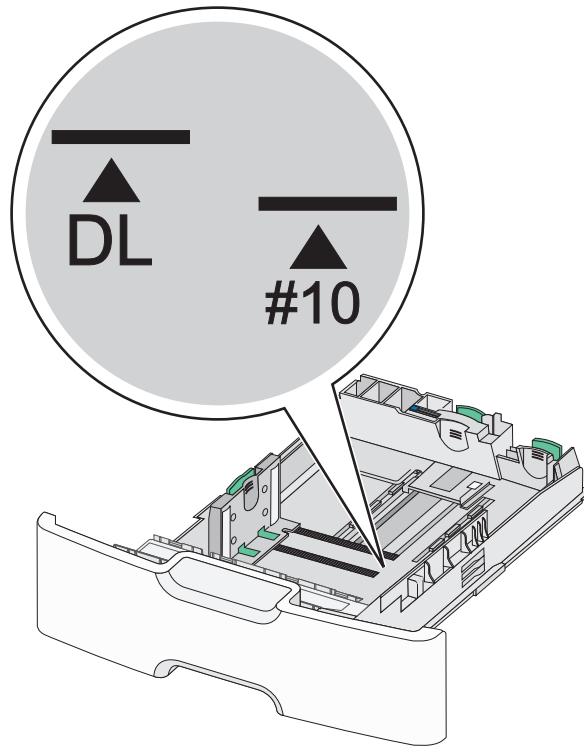
- The length has a locking device. To unlock the length guide, slide to the left the button on top of the length guide. To lock, slide the button to the right when a length has been selected.
- You can only slide the secondary length guide when the primary length guide reaches the edge of the width guide.



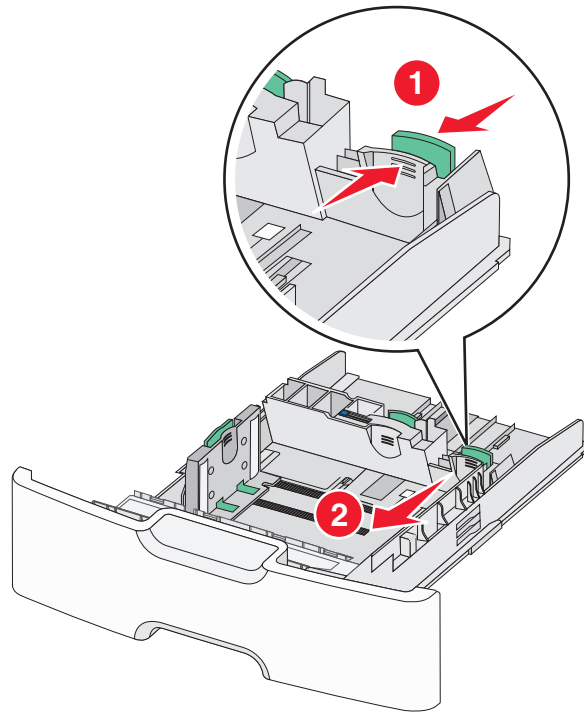
3 Squeeze and slide the width guide to the correct position for the paper size you are loading.



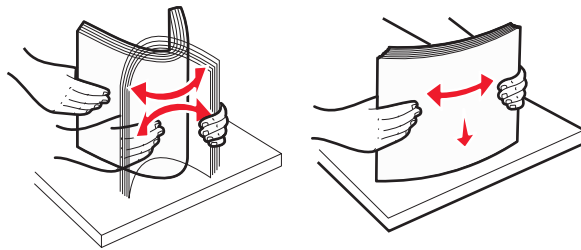
Note: Use the paper size indicators at the bottom of the tray to help position the width guide.



- 4 Squeeze and slide the secondary length guide to the correct position for the paper size you are loading.



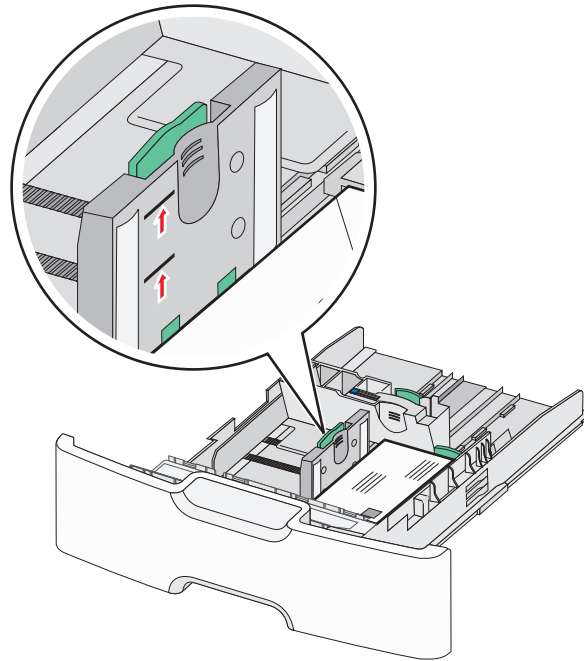
- 5 Flex the sheets back and forth to loosen them. Do not fold or crease the paper. Straighten the edges on a level surface.



- 6 Load the paper stack with the recommended printable side faceup.

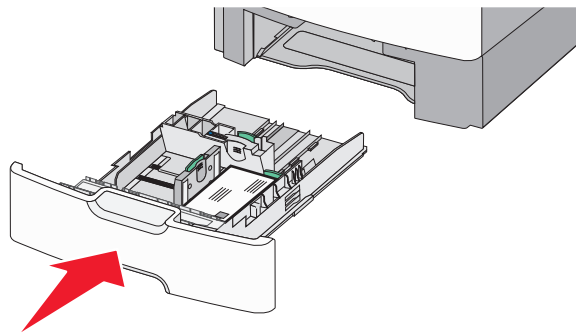
Notes:

- Load envelopes with the stamp side entering the printer first.
- Make sure the paper does not exceed the maximum paper fill indicator located on the side of the width guide.



Warning—Potential Damage: Overloading the tray can cause paper jams and possible printer damage.

7 Insert the tray.



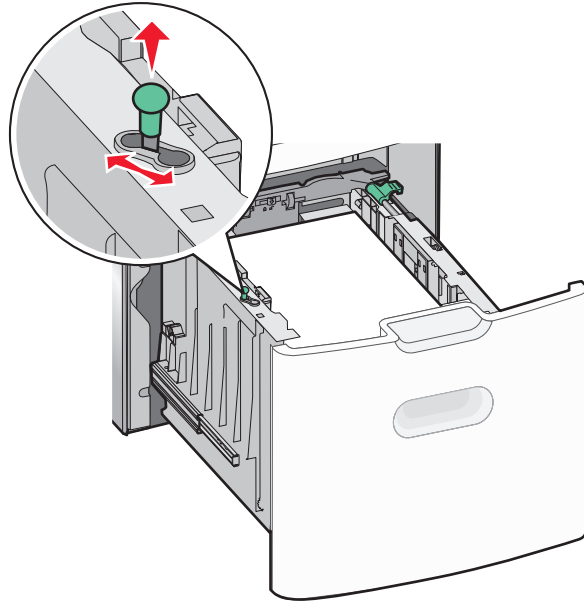
8 From the printer control panel, verify the paper size and paper type setting for the tray based on the paper you loaded.

Note: Return the secondary length guide to its original position when loading long papers such as legal, letter, and A4. Squeeze and slide the guide until it *clicks* into place.

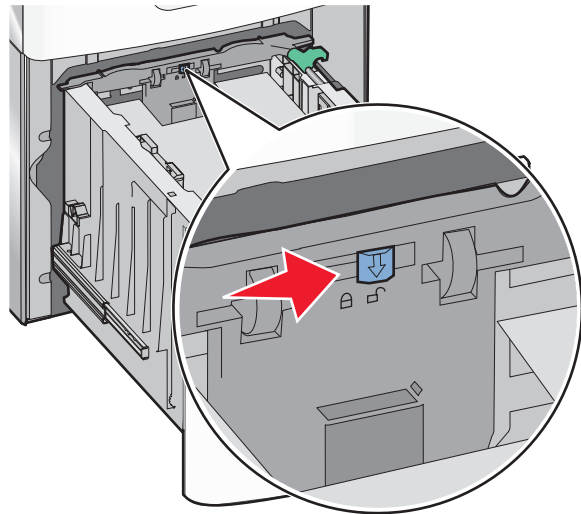
Loading the 2,000-sheet high-capacity feeder

⚠ CAUTION—POTENTIAL INJURY: To reduce the risk of equipment instability, load each paper tray separately. Keep all other trays closed until needed.

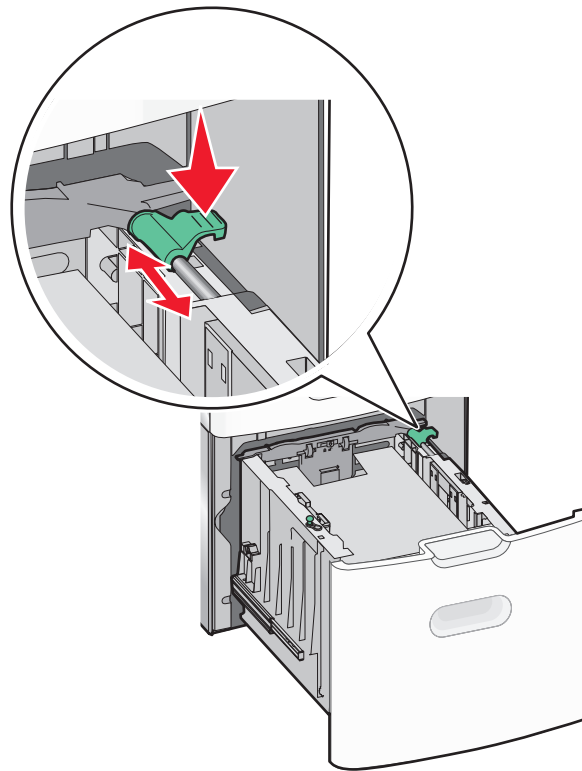
- 1 Pull the tray out.
- 2 Pull up and slide the width guide to the correct position for the paper size you are loading.



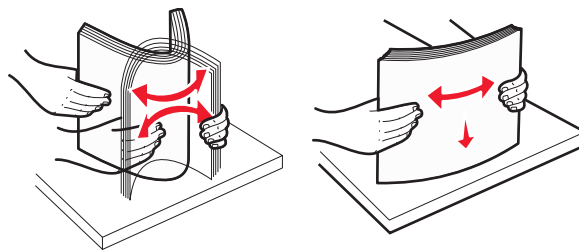
- 3 Unlock the length guide.



- 4 Push the length guide release latch to raise the length guide. Slide the guide to the correct position for the paper size you are loading, and then lock the guide.

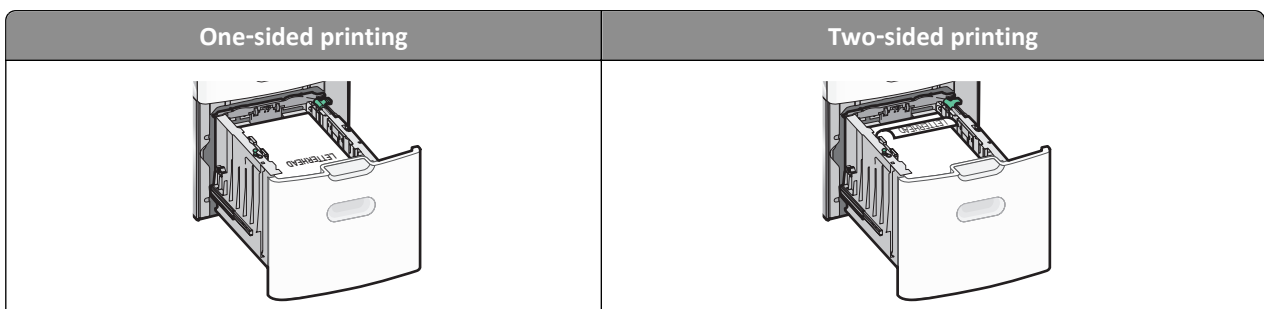


- 5 Flex the sheets back and forth to loosen them. Do not fold or crease the paper. Straighten the edges on a level surface.



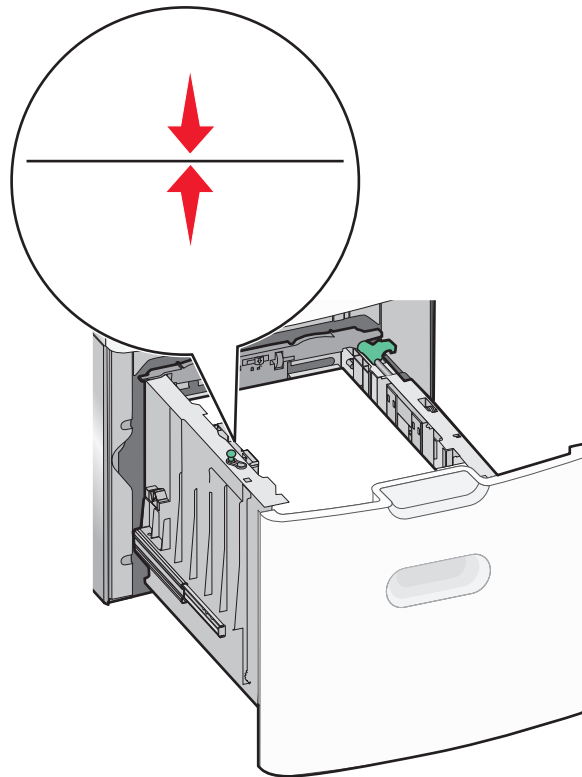
- 6 Load the paper stack:

- Printable side faceup for one-sided printing
- Printable side facedown for two-sided printing



- Make sure paper does not exceed the maximum paper fill indicator located on the side of the tray.

Warning—Potential Damage: Overloading the tray may cause paper jams and possible printer damage.



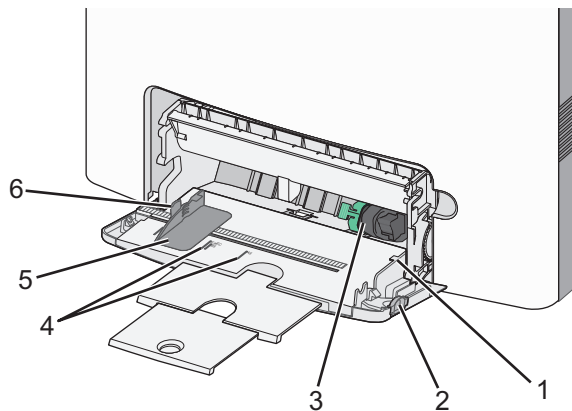
7 Insert the tray.

Loading the multipurpose feeder

The multipurpose feeder can hold approximately:

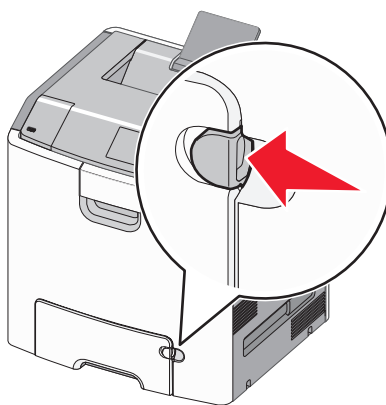
- 100 sheets of 75-g/m² (20-lb) paper
- 10 envelopes
- 75 transparencies

Note: Do not add or remove paper or specialty media while the printer prints from the multipurpose feeder or when the printer control panel indicator light is blinking. Doing so may cause a jam.

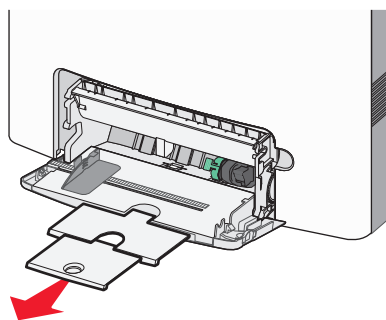


1	Maximum paper fill indicator
2	Tray release latch
3	Paper release lever
4	Paper size indicators
5	Paper width guide
6	Width guide release tab

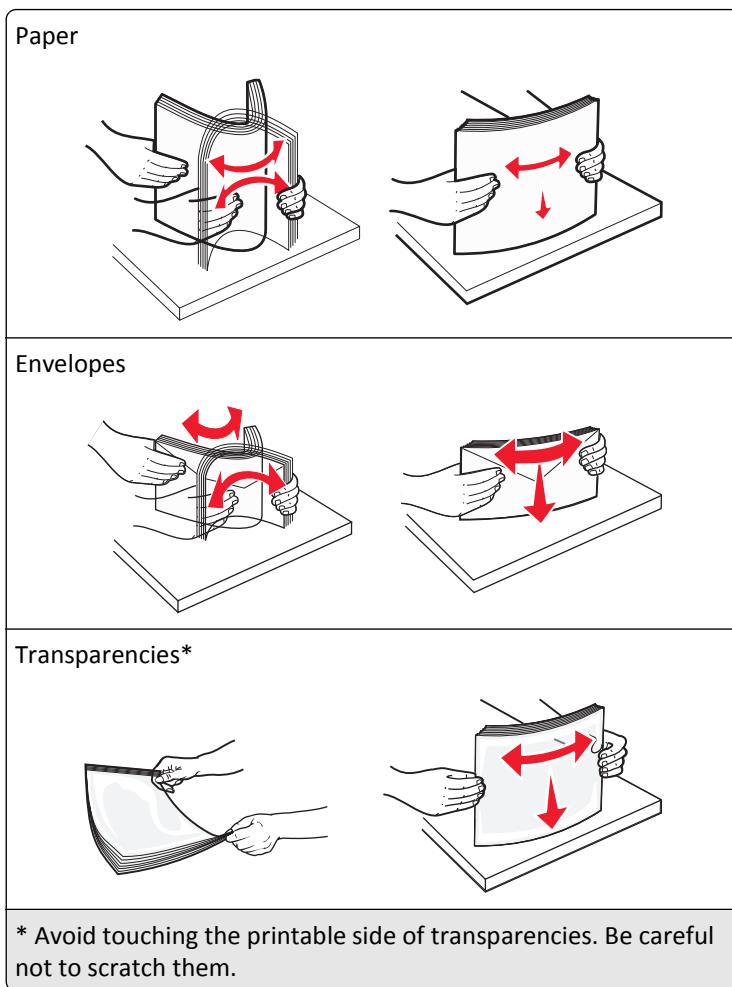
1 Press the tray release latch to the left, and then pull the multipurpose feeder down.



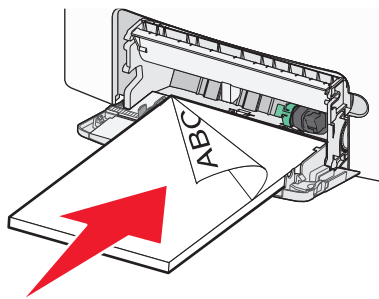
2 Gently pull the extension out until it is fully extended.



3 Flex the sheets back and forth to loosen them. Do not fold or crease the paper. Straighten the edges on a level surface.



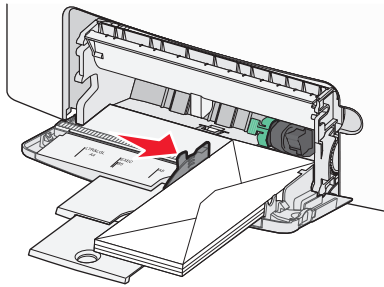
4 Load the paper or specialty media. Slide the stack into the multipurpose feeder until it comes to a stop.



Notes:

- Make sure paper or specialty media does not exceed the maximum paper fill indicator.
- Load only one size and type of paper or specialty media at a time.
- Paper or specialty media should lie flat and fit loosely in the multipurpose feeder.
- If the paper or specialty media is pushed too far into the multipurpose feeder, then press the paper release lever to remove it.
- Load envelopes with the flap on the right side up and the stamp edge entering the printer first.

Warning—Potential Damage: Never use envelopes with stamps, clasps, snaps, windows, coated linings, or self-stick adhesives. These envelopes may severely damage the printer.



- 5 From the printer control panel, verify the paper size and paper type setting for the feeder based on the paper you loaded.

Linking and unlinking trays

The printer links trays when the specified paper size and type are the same. When a linked tray becomes empty, paper feeds from the next linked tray. To prevent trays from linking, assign a unique custom paper type name.

Linking and unlinking trays

- 1 Open a Web browser, and then type the printer IP address in the address field.

Notes:

- View the printer IP address on the printer home screen. The IP address appears as four sets of numbers separated by periods, such as 123.123.123.123.
- If you are using a proxy server, then temporarily disable it to load the Web page correctly.

- 2 Click **Settings > Paper Menu**.

- 3 Change the paper size and type settings for the trays you are linking.

- To link trays, make sure the paper size and type for the tray match that of the other tray.
- To unlink trays, make sure the paper size or type for the tray does *not* match that of the other tray.

- 4 Click **Submit**.

Note: You can also change the paper size and type settings using the printer control panel. For more information, see [“Setting the paper size and type” on page 78](#).

Warning—Potential Damage: Paper loaded in the tray should match the paper type name assigned in the printer. The temperature of the fuser varies according to the specified paper type. Printing issues may occur if settings are not properly configured.

Creating a custom name for a paper type

Using the Embedded Web Server

- 1 Open a Web browser, and then type the printer IP address in the address field.

Notes:

- View the printer IP address on the printer home screen. The IP address appears as four sets of numbers separated by periods, such as 123.123.123.123.
- If you are using a proxy server, then temporarily disable it to load the Web page correctly.

2 Click **Settings > Paper Menu > Custom Names**.

3 Select a custom name, and then type a custom paper type name.

4 Click **Submit**.

5 Click **Custom Types**, and then verify if the new custom paper type name has replaced the custom name.

Using the printer control panel

1 From the home screen, navigate to:



> **Paper Menu > Custom Names**

2 Select a custom name, and then type a custom paper type name.

3 Touch .

4 Touch **Custom Types**, and then verify that the new custom paper type name has replaced the custom name.

Assigning a custom paper type**Using the Embedded Web Server**

Assign a custom paper type name to a tray when linking or unlinking trays.

1 Open a Web browser, and then type the printer IP address in the address field.

Notes:

- View the printer IP address on the printer home screen. The IP address appears as four sets of numbers separated by periods, such as 123.123.123.123.
- If you are using a proxy server, then temporarily disable it to load the Web page correctly.

2 Click **Settings > Paper Menu > Custom Types**.

3 Select a custom paper type name, and then select a paper type

Note: Paper is the factory default paper type for all user-defined custom names.

4 Click **Submit**.

Using the printer control panel

1 From the home screen, navigate to:



> **Paper Menu > Custom Types**

2 Select a custom paper type name, and then select a paper type

Note: Paper is the factory default paper type for all user-defined custom names.

3 Touch .

Printing

Printing forms

Use Forms and Favorites to quickly and easily access frequently used forms or other information that is regularly printed. Before you can use this application, first set it up on the printer. For more information, see [“Setting up Forms and Favorites” on page 76](#).

- 1 From the home screen, navigate to:
Forms and Favorites > select the form from the list > enter the number of copies > adjust other settings
- 2 Apply the changes.

Printing a document

Printing a document

- 1 From the Paper menu on the printer control panel, set the paper type and size to match the paper loaded.
- 2 Send the print job:

For Windows users

- a With a document open, click **File** > **Print**.
- b Click **Properties, Preferences, Options, or Setup**.
- c Adjust the settings, if necessary.
- d Click **OK** > **Print**.

For Macintosh users

- a Customize the settings in the Page Setup dialog:
 - 1 With a document open, choose **File** > **Page Setup**.
 - 2 Choose a paper size or create a custom size to match the paper loaded.
 - 3 Click **OK**.
- b Customize the settings in the Print dialog:
 - 1 With a document open, choose **File** > **Print**.
If necessary, click the disclosure triangle to see more options.
 - 2 From the Print dialog and pop-up menus, adjust the settings if necessary.
Note: To print on a specific paper type, adjust the paper type setting to match the paper loaded, or select the appropriate tray or feeder.
 - 3 Click **Print**.

Printing in black and white

From the home screen, navigate to:



> **Settings** > **Print Settings** > **Quality Menu** > **Print Mode** > **Black Only** > A small green checkmark icon inside a square box.

Adjusting toner darkness

- 1 Open a Web browser, and then type the printer IP address in the address field.

Notes:

- View the printer IP address on the printer home screen. The IP address appears as four sets of numbers separated by periods, such as 123.123.123.123.
- If you are using a proxy server, then temporarily disable it to load the Web page correctly.

- 2 Click **Settings > Print Settings > Quality Menu > Toner Darkness**.

- 3 Adjust the toner darkness setting.

- 4 Click **Submit**.

Using Max Speed and Max Yield

The Max Speed and Max Yield settings let you choose between a faster print speed or a higher toner yield. Max Yield is the factory default setting.

- **Max Speed**—This lets you print in either black or color depending on what is set in the printer driver. The printer prints in color unless Black Only is selected in the printer driver.
- **Max Yield**—This lets you switch from black to color based on the color content found on each page. Frequent color mode switching can result in slower printing if the content of pages is mixed.

Using the Embedded Web Server

- 1 Open a Web browser, and then type the printer IP address in the address field.

Notes:

- View the printer IP address on the printer home screen. The IP address appears as four sets of numbers separated by periods, such as 123.123.123.123.
- If you are using a proxy server, then temporarily disable it to load the Web page correctly.

- 2 Click **Settings > Print Settings > Setup Menu**.

- 3 From the Printer Usage list, select **Max Speed** or **Max Yield**.

- 4 Click **Submit**.

Using the printer control panel

- 1 From the home screen, navigate to:



> **Settings > Print Settings > Setup Menu**

- 2 From the Printer Usage list, select **Max Speed** or **Max Yield**.

- 3 Touch .

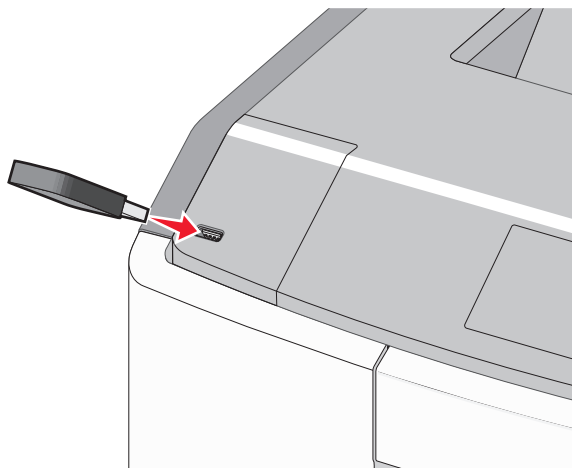
Printing from a flash drive or mobile device

Printing from a flash drive

Notes:

- Before printing an encrypted PDF file, you will be prompted to enter the file password from the printer control panel.
- You cannot print files for which you do not have printing permissions.

1 Insert a flash drive into the USB port.



Notes:

- A flash drive icon appears on the home screen and in the held jobs icon when a flash drive is installed.
- If you insert the flash drive when the printer requires attention, such as when a jam has occurred, then the printer ignores the flash drive.
- If you insert the flash drive while the printer is processing other print jobs, then **Busy** appears. After these print jobs are processed, you may need to view the held jobs list to print documents from the flash drive.

Warning—Potential Damage: Do not touch the USB cable, any network adapter, any connector, the memory device, or the printer in the areas shown while actively printing, reading, or writing from the memory device. A loss of data can occur.



- 2 From the printer control panel, touch the document you want to print.
- 3 Touch the arrows to specify the number of copies for printing, and then touch **Print**.

Notes:

- Do not remove the flash drive from the USB port until the document has finished printing.
- If you leave the flash drive in the printer after leaving the initial USB menu screen, then you can still print files from the flash drive as held jobs.

Supported flash drives and file types

Flash drive	File type
<ul style="list-style-type: none"> • Lexar JumpDrive 2.0 Pro (256MB, 512MB, or 1GB sizes) • SanDisk Cruzer Mini (256MB, 512MB, or 1GB sizes) <p>Notes:</p> <ul style="list-style-type: none"> • Hi-Speed USB flash drives must support the full-speed standard. Devices supporting only USB low-speed capabilities are not supported. • USB flash drives must support the File Allocation Table (FAT) system. Devices formatted with New Technology File System (NTFS) or any other file system are not supported. 	<p>Documents:</p> <ul style="list-style-type: none"> • .pdf • .xps <p>Images:</p> <ul style="list-style-type: none"> • .dcx • .gif • .JPEG or .jpg • .bmp • .pcx • .TIFF or .tif • .png • .fls

Printing from a mobile device

To download a compatible mobile printing application, visit www.lexmark.com/mobile.

Note: Mobile printing applications may also be available from your mobile device manufacturer.

Printing confidential and other held jobs

Storing print jobs in the printer

- 1 From the printer control panel, navigate to:



> **Settings** > **Security** > **Confidential Print** > select the print job type

Print job type	Description
Max Invalid PIN	Limits the number of times an invalid PIN can be entered. Note: When the limit is reached, the print jobs for that user name and PIN are deleted.
Confidential Job Expiration	Lets you hold print jobs in the computer until you enter the PIN from the printer control panel. Note: The PIN is set from the computer. It must be four digits, using the numbers 0–9.
Repeat Job Expiration	Lets you print <i>and</i> store print jobs in the printer memory for reprinting.
Verify Job Expiration	Lets you print one copy of a print job while the printer holds the remaining copies. It allows you to examine if the first copy is satisfactory. The print job is automatically deleted from the printer memory once all copies are printed.
Reserve Job Expiration	Lets you store print jobs for printing at a later time. The print jobs are held until deleted from the Held Jobs menu.
Notes: <ul style="list-style-type: none"> • Confidential, Verify, Reserve, and Repeat print jobs may be deleted if the printer requires extra memory to process additional held jobs. • You can set the printer to store print jobs in the printer memory until you start the print job from the printer control panel. • All print jobs that can be initiated by the user at the printer are called <i>held jobs</i>. 	

- 2 Touch .

Printing confidential and other held jobs

Note: Confidential and Verify print jobs are automatically deleted from memory after printing. Repeat and Reserve jobs are *held* in the printer until you delete them.

For Windows users

- 1 With a document open, click **File** > **Print**.
- 2 Click **Properties**, **Preferences**, **Options**, or **Setup**.
- 3 Click **Print and Hold**.
- 4 Select the print job type (Confidential, Repeat, Reserve, or Verify), and then assign a user name. For a confidential print job, also enter a four-digit PIN.
- 5 Click **OK** or **Print**.


- 6 From the printer home screen, release the print job.
 - For confidential print jobs, navigate to:
Held jobs > select your user name > **Confidential Jobs** > enter the PIN > **Print**
 - For other print jobs, navigate to:
Held jobs > select your user name > select the print job > specify the number of copies > **Print**

For Macintosh users

- 1 With a document open, choose **File** > **Print**.
If necessary, click the disclosure triangle to see more options.
- 2 From the print options or Copies & Pages pop-up menu, choose **Job Routing**.
- 3 Select the print job type (Confidential, Repeat, Reserve, or Verify), and then assign a user name. For a confidential print job, also enter a four-digit PIN.
- 4 Click **OK** or **Print**.
- 5 From the printer home screen, release the print job.
 - For confidential print jobs, navigate to:
Held jobs > select your user name > **Confidential Jobs** > enter the PIN > **Print**
 - For other print jobs, navigate to:
Held jobs > select your user name > select the print job > specify the number of copies > **Print**

Printing information pages

Printing a font sample list

- 1 From the home screen, navigate to:
 > **Reports** > **Print Fonts**
- 2 Touch **PCL Fonts** or **PostScript Fonts**.

Printing a directory list


A directory list shows the resources stored in a flash memory or on the printer hard disk.


From the home screen, navigate to:

-  > **Reports** > **Print Directory**

Canceling a print job

Canceling a print job from the printer control panel

- 1 From the printer control panel, touch **Cancel Job** or press  on the keypad.
- 2 Touch the print job you want to cancel, and then touch **Delete Selected Jobs**.

Note: If you press  on the keypad, then touch **Resume** to return to the home screen.

Canceling a print job from the computer

For Windows users

- 1 Open the printers folder, and then select your printer.
- 2 From the print queue, select the print job you want to cancel, and then delete it.

For Macintosh users

- 1 From System Preferences in the Apple menu, navigate to your printer.
- 2 From the print queue, select the print job you want to cancel, and then delete it.

Managing your printer

Finding advanced networking and administrator information

This chapter covers basic administrative support tasks using the Embedded Web Server. For more advanced system support tasks, see the *Networking Guide* on the *Software and Documentation* CD or the *Embedded Web Server — Security: Administrator's Guide* on the Lexmark support Web site at <http://support.lexmark.com>.

Checking the virtual display

- 1 Open a Web browser, and then type the printer IP address in the address field.

Notes:

- View the printer IP address on the printer home screen. The IP address appears as four sets of numbers separated by periods, such as 123.123.123.123.
- If you are using a proxy server, then temporarily disable it to load the Web page correctly.

- 2 Check the virtual display that appears at the top left corner of the screen.

The virtual display works as an actual display would work on a printer control panel.

Printing a menu settings page

From the home screen, navigate to:



> Reports > Menu Settings Page

Printing a network setup page

If the printer is attached to a network, then print a network setup page to verify the network connection. This page also provides important information that aids network printing configuration.

- 1 From the home screen, navigate to:



> Reports > Network Setup Page

- 2 Check the first section of the network setup page, and confirm that the status is **Connected**.

If the status is **Not Connected**, then the LAN drop may not be active, or the network cable may be malfunctioning. Consult a system support person for a solution, and then print another network setup page.

Checking the status of parts and supplies

Checking the status of parts and supplies on the printer control panel

From the home screen, touch **Status/Supplies > View Supplies**.

Checking the status of parts and supplies from the Embedded Web Server

Note: Make sure the computer and the printer are connected to the same network.

- 1 Open a Web browser, and then type the printer IP address in the address field.

Notes:

- View the printer IP address on the home screen. The IP address appears as four sets of numbers separated by periods, such as 123.123.123.123.
- If you are using a proxy server, then temporarily disable it to load the Web page correctly.

- 2 Click **Device Status > More Details**.

Saving energy

Using Hibernate mode

Hibernate is an ultra-low-power saving mode.

Notes:

- Three days is the default amount of time before the printer enters Hibernate mode.
- Make sure to wake the printer from Hibernate mode before sending a print job. A hard reset or a long press of the Sleep button wakes the printer from Hibernate mode.
- If the printer is in Hibernate mode, then the Embedded Web Server is disabled.

1 From the home screen, navigate to:



2 Touch **Press Sleep Button** or **Press and Hold Sleep Button**.

3 Touch **Hibernate** >

Using Eco-Mode

1 Open a Web browser, and then type the printer IP address in the address field.

Notes:

- View the printer IP address on the printer home screen. The IP address appears as four sets of numbers separated by periods, such as 123.123.123.123.
- If you are using a proxy server, then temporarily disable it to load the Web page correctly.

2 Click **Settings > General Settings > Eco-Mode**.

3 Select a setting.

Use	To
Off	Use the factory default settings for all settings associated with Eco-Mode. Notes: <ul style="list-style-type: none"> • Settings that were changed when other modes were selected are reset to the factory default settings. • Off supports the performance specifications of the printer.
Energy	Reduce energy use, especially when the printer is idle. Notes: <ul style="list-style-type: none"> • Printer engine motors do not start until a document is ready to print. You may notice a short delay before the first page is printed. • The printer enters Sleep mode after one minute of inactivity. • The printer display is turned off when the printer is in Sleep mode. • Lights on the staple finisher and other optional finishers are turned off when the printer is in Sleep mode.

Use	To
Energy/Paper	Use all the settings associated with Energy and Paper modes.
Plain Paper	Enable the automatic two-sided (duplex) printing feature.

4 Click **Submit**.

Reducing printer noise

Enable Quiet Mode to reduce printer noise.

1 Open a Web browser, and then type the printer IP address in the address field.

Notes:

- View the printer IP address on the printer home screen. The IP address appears as four sets of numbers separated by periods, such as 123.123.123.123.
- If you are using a proxy server, then temporarily disable it to load the Web page correctly.

2 Click **Settings > General Settings > Quiet Mode > select a setting**

Use	To
On	Reduce printer noise. Notes: <ul style="list-style-type: none"> • Print jobs are processed at a reduced speed. • Printer engine motors do not start until a document is ready to print. There will be a short delay before the first page is printed.
Off	Use factory default settings. Note: This setting supports the performance specifications of the printer.

3 Click **Submit**.

Adjusting Sleep mode

1 From the home screen, navigate to:



> **Settings > General Settings > Timeouts > Sleep Mode**

2 In the Sleep Mode field, select the number of minutes the printer is idle before it enters Sleep mode.

3 Apply the changes.

Restoring factory default settings

If you want to keep a list of the current menu settings for reference, then print a menu settings page before restoring the factory default settings. For more information, see [“Printing a menu settings page” on page 101](#).

If you want a more comprehensive method of restoring the printer factory default settings, then perform the Wipe All Settings option. For more information, see [“Erasing non-volatile memory” on page 106](#).

Warning—Potential Damage: Restoring factory defaults returns most printer settings to the original factory default settings. Exceptions include the display language, custom sizes and messages, and network/port menu settings. All downloads stored in the RAM are deleted. Downloads stored in the flash memory or in a printer hard disk are not affected.

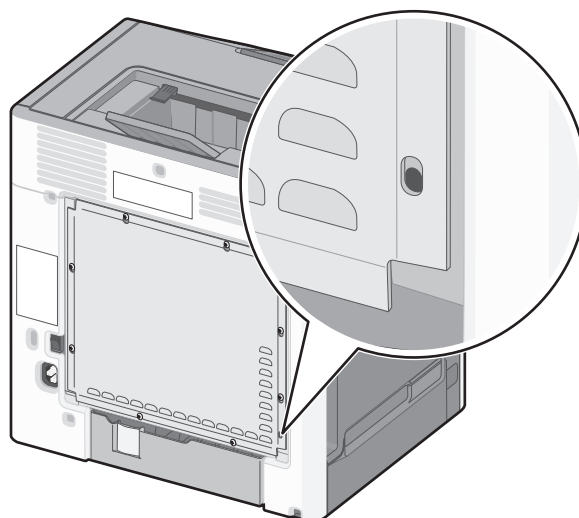
From the home screen, navigate to:

 > Settings > General Settings > Factory Defaults > Restore Now > 

Securing the printer

Locking the system board

To limit access to the system board, attach a security lock to the printer in the location identified in the illustration. The printer is compatible with most laptop computer security locks.



Statement of Volatility

Your printer contains various types of memory that can store device and network settings, and user data.

Types of memory	Description
Volatile memory	Your printer uses standard Random Access Memory (RAM) to temporarily buffer user data during simple print and copy jobs.
Non-volatile memory	Your printer may use two forms of non-volatile memory: EEPROM and NAND (flash memory). Both types are used to store the operating system, device settings, network information, scanner and bookmark settings, and embedded solutions.
Hard disk memory	Some printers have a hard disk drive installed. The printer hard disk is designed for device-specific functionality. This lets the device retain buffered user data from complex scan, print, copy, and fax jobs, as well as form data, and font data.

Erase the content of any installed printer memory in the following circumstances:

- The printer is being decommissioned.
- The printer hard disk is being replaced.
- The printer is being moved to a different department or location.
- The printer is being serviced by someone from outside your organization.
- The printer is being removed from your premises for service.
- The printer is being sold to another organization.

Disposing of a printer hard disk

Note: Some printer models may not have a printer hard disk installed.

In high-security environments, it may be necessary to take additional steps to make sure that confidential data stored in the printer hard disk cannot be accessed when the printer—or its hard disk—is removed from your premises.

- **Degaussing**—Flushes the hard disk with a magnetic field that erases stored data
- **Crushing**—Physically compresses the hard disk to break component parts and render them unreadable
- **Milling**—Physically shreds the hard disk into small metal bits

Note: Most data can be erased electronically, but the only way to guarantee that all data is completely erased is to physically destroy each hard disk where data is stored.

Erasing volatile memory

The volatile memory (RAM) installed in your printer requires a power source to retain information. To erase the buffered data, simply turn off the printer.

Erasing non-volatile memory

- **Individual settings, device and network settings, security settings, and embedded solutions**—Erase information and settings by selecting **Wipe All Settings** in the Configuration menu.
- **Fax data**—Erase fax settings and data by selecting **Wipe All Settings** in the Configuration menu.

1 Turn off the printer.

2 Hold down **2** and **6** while turning the printer on. Release the buttons only when the screen with the progress bar appears.

The printer performs a power-on sequence, and then the Configuration menu appears. When the printer is fully powered up, the touch screen displays a list of functions, instead of the standard home screen icons.

3 Touch **Wipe All Settings**.

The printer will restart several times during this process.

Note: Wipe All Settings securely removes device settings, solutions, jobs, faxes, and passwords from the printer memory.

4 Touch **Back > Exit Config Menu**.

The printer will perform a power-on reset, and then return to normal operating mode.

Erasing printer hard disk memory

Notes:

- Some printer models may not have a printer hard disk installed.
- Configuring Erase Temporary Data Files in the printer menus lets you remove residual confidential material left by print jobs by securely overwriting files that have been marked for deletion.

Using the printer control panel

- 1 Turn off the printer.
- 2 Hold down **2** and **6** while turning the printer on. Release the buttons only when the screen with the progress bar appears.

The printer performs a power-on sequence, and then the Configuration menu appears. When the printer is fully turned on, the touch screen displays a list of functions.

- 3 Touch **Wipe Disk**, and then touch one of the following:
 - **Wipe disk (fast)**—This lets you overwrite the disk with all zeroes in a single pass.
 - **Wipe disk (secure)**—This lets you overwrite the disk with random bit patterns several times, followed by a verification pass. A secure overwrite is compliant with the DoD 5220.22-M standard for securely erasing data from a hard disk. Highly confidential information should be wiped using this method.
- 4 Touch **Yes** to proceed with disk wiping.

Notes:

- A status bar will indicate the progress of the disk wiping task.
- Disk wiping can take from several minutes to more than an hour, during which the printer will be unavailable for other user tasks.

- 5 Touch **Back > Exit Config Menu**.

The printer will perform a power-on reset, and then return to normal operating mode.

Configuring printer hard disk encryption

Enable the hard disk encryption to prevent loss of sensitive data in the event the printer or its hard disk is stolen.

Note: Some printer models may not have a printer hard disk installed.

Using the Embedded Web Server

- 1 Open a Web browser, and then type the printer IP address in the address field.

Notes:

- View the printer IP address on the printer home screen. The IP address appears as four sets of numbers separated by periods, such as 123.123.123.123.
- If you are using a proxy server, then temporarily disable it to load the Web page correctly.

- 2 Click **Settings > Security > Disk Encryption**.

Note: Disk Encryption appears in the Security Menu only when a formatted, non-defective printer hard disk is installed.

- 3 From the Disk encryption menu, select **Enable**.

Notes:

- Enabling disk encryption will erase the content of the printer hard disk.
- Disk encryption can take from several minutes to more than an hour, during which the printer will be unavailable for other user tasks.

4 Click **Submit.****Using the printer control panel****1** Turn off the printer.**2** Hold down **2** and **6** while turning the printer on. Release the buttons only when the screen with the progress bar appears.

The printer performs a power-on sequence, and then the Configuration menu appears. Once the printer is fully powered up, the touch screen displays a list of functions, instead of standard home screen icons such as Copy or Fax.

3 Touch **Disk Encryption > Enable**.

Note: Enabling disk encryption will erase the contents of the printer hard disk.

4 Touch **Yes** to proceed with disk wiping.**Notes:**

- Do not turn off the printer during the encryption process. Doing so may result in loss of data.
- Disk encryption can take from several minutes to more than an hour, during which the printer will be unavailable for other user tasks.
- A status bar will indicate the progress of the disk wiping task. After the disk has been encrypted, the printer will return to the Enable/Disable screen.

5 Touch **Back > Exit Config Menu**.

The printer will perform a power-on reset, and then return to normal operating mode.

Finding printer security information

In high-security environments, it may be necessary to take additional steps to make sure that confidential data stored in the printer cannot be accessed by unauthorized persons. For more information, visit the

[Lexmark security Web page](#).

You can also see the *Embedded Web Server — Security: Administrator's Guide* for additional information:

1 Go to www.lexmark.com, and then navigate to **Support & Downloads** > select your printer.**2** Click the **Manuals** tab, and then select *Embedded Web Server — Security: Administrator's Guide*.

Paper and specialty media guidelines

Notes:

- Make sure that the paper size, type, and weight are set correctly on the computer or control panel.
- Flex, fan, and straighten specialty media before loading them.
- The printer may print at a reduced speed to prevent damage to the fuser.
- For more information on card stock and labels, see the *Card Stock & Label Guide* on the Lexmark support Web site at <http://support.lexmark.com>.

Using specialty media

Tips on using letterhead

- Use letterhead designed specifically for laser/LED printers.
- Print samples on the letterhead being considered for use before buying large quantities.
- Before loading letterhead, flex the sheets to prevent them from sticking together.
- Page orientation is important when printing on letterhead.

Source	One- or two-sided printing	Printable side	Paper orientation
Standard and optional trays	One-sided	Load preprinted letterhead faceup.	Place the top edge of the sheet with the header toward the front of the tray.
Standard and optional trays	Two-sided	Load preprinted letterhead facedown.	Place the top edge of the sheet with the header toward the rear of the tray.
Multipurpose feeder	One-sided	Load preprinted letterhead facedown.	When loading in short-edge orientation, place the top edge of the sheet with the header toward the rear of the multipurpose feeder. When loading in long-edge orientation, place the top edge of the sheet with the header on the left of the multipurpose feeder.
Multipurpose feeder	Two-sided	Load preprinted letterhead faceup.	Place the top edge of the sheet with the header toward the front of the multipurpose feeder.

Note: Check with the manufacturer or vendor to determine whether the chosen preprinted letterhead is acceptable for laser/LED printers.

Tips on using transparencies

- Print a test page on the transparencies being considered for use before buying large quantities.
- Feed transparencies from the multipurpose feeder only.
- From the Paper menu, set the MP Feeder Type to Transparency.
- Use transparencies designed specifically for laser printers. Transparencies must be able to withstand temperatures of 230°C (446°F) without melting, discoloring, offsetting, or releasing hazardous emissions.
- To prevent print quality problems, avoid getting fingerprints on the transparencies.
- Before loading transparencies, flex the stack to prevent sheets from sticking together.
- We recommend Lexmark transparencies. For ordering information, see the Lexmark Web site at www.lexmark.com.

Tips on using envelopes

Print samples on the envelopes being considered for use before buying large quantities.

- Use envelopes designed specifically for laser printers. Check with the manufacturer or vendor to ensure that the envelopes can withstand temperatures up to 220°C (446°F) without sealing, wrinkling, curling excessively, or releasing hazardous emissions.
- For best performance, use envelopes made from 90-g/m² (24-lb bond) paper or 25% cotton. All-cotton envelopes must not exceed 70-g/m² (20-lb bond) weight.
- Use only new envelopes from undamaged packages.
- To optimize performance and minimize jams, do not use envelopes that:
 - Have excessive curl or twist.
 - Are stuck together or damaged in any way.
 - Have windows, holes, perforations, cutouts, or embossing.
 - Have metal clasps, string ties, or folding bars.
 - Have an interlocking design.
 - Have postage stamps attached.
 - Have any exposed adhesive when the flap is in the sealed or closed position.
 - Have bent corners.
 - Have rough, cockle, or laid finishes.
- Adjust the width guides to fit the width of the envelopes.

Note: A combination of high humidity (over 60%) and high printing temperature may wrinkle or seal envelopes.

Tips on using labels

The printer supports the following types of labels designed for laser/LED printers:

- One-sided paper labels
- Vinyl, pharmacy, and double-sided labels
- Vertical marketing labels

For detailed information on label printing, characteristics, and design, see the *Card Stock & Label Guide* available on the Lexmark Web site at <http://support.lexmark.com>.

When printing on labels:

- Use labels designed specifically for laser/LED printers. Check with the manufacturer or vendor to verify that:
 - The labels can withstand temperatures up to 225°C (437°F) without sealing, excessive curling, wrinkling, or releasing hazardous emissions.
Note: Labels can be printed at a higher fusing temperature up to 225°C (437°F) if Label Weight is set to Heavy. Select this setting using the Embedded Web Server, or from the Paper menu on the printer control panel.
 - Label adhesives, face sheet (printable stock), and topcoats can withstand up to 25 psi (172 kPa) pressure without delaminating, oozing around the edges, or releasing hazardous fumes.
- Do not use labels with slick backing material.
- Use full label sheets. Partial sheets may cause labels to peel off during printing, resulting in a jam. Partial sheets also contaminate the printer and the cartridge with adhesive, and could void the printer and cartridge warranties.
- Do not use labels with exposed adhesive.
- Do not print within 1 mm (0.04 in.) of the edge of the label, of the perforations, or between die-cuts of the label.
- Be sure adhesive backing does not reach to the sheet edge. Zone coating of the adhesive at least 1 mm (0.04 in.) away from edges is recommended. Adhesive material contaminates the printer and could void the warranty.
- If zone coating of the adhesive is not possible, then remove a 1.6 mm (0.06 in.) strip on the leading and driver edge, and use a non-oozing adhesive.
- Portrait orientation works best, especially when printing bar codes.

Tips on using card stock

Card stock is heavy, single-ply specialty media. Many of its variable characteristics, such as moisture content, thickness, and texture, can significantly impact print quality. Print samples on the card stock being considered for use before buying large quantities.

- From the Paper menu, set the Paper Type to Card Stock.
- Select the appropriate Paper Texture setting.
- Be aware that preprinting, perforation, and creasing may significantly affect the print quality and cause jams or other paper handling problems.
- Check with the manufacturer or vendor to ensure the card stock can withstand temperatures up to 220°C (446°F) without releasing hazardous emissions.
- Do not use preprinted card stock manufactured with chemicals that may contaminate the printer. Preprinting introduces semi-liquid and volatile components into the printer.
- Use grain short card stock when possible.

Paper guidelines

Selecting the correct paper or specialty media reduces printing problems. For the best print quality, try a sample of the paper or specialty media before buying large quantities.

Paper characteristics

The following paper characteristics affect print quality and reliability. Consider these characteristics when evaluating new paper stock.

Weight

The printer trays can automatically feed paper weights up to 90 g/m² (24 lb bond) grain long paper. The manual feeder can automatically feed paper weights up to 163 g/m² (43 lb bond) grain long paper. Paper lighter than 60 g/m² (16 lb) might not be stiff enough to feed properly, causing jams. For best performance, use 75 g/m² (20 lb bond) grain long paper. For paper smaller than 182 x 257 mm (7.2 x 10.1 in.), we recommend 90 g/m² (24 lb) or heavier paper.

Note: Duplex printing is supported only for 60–90 g/m² (16–24 lb bond) paper.

Curl

Curl is the tendency for paper to curl at its edges. Excessive curl can cause paper feeding problems. Curl can occur after the paper passes through the printer, where it is exposed to high temperatures. Storing paper unwrapped in hot, humid, cold, or dry conditions, even in the trays, can contribute to paper curling prior to printing and can cause feeding problems.

Smoothness

Paper smoothness directly affects print quality. If paper is too rough, toner cannot fuse to it properly. If paper is too smooth, it can cause paper feeding or print quality issues. Always use paper between 100–300 Sheffield points; smoothness between 150–250 Sheffield points produces the best print quality.

Moisture content

The amount of moisture in paper affects both print quality and the ability of the printer to feed the paper correctly. Leave paper in its original wrapper until it is time to use it. This limits the exposure of paper to moisture changes that can degrade its performance.

Condition paper before printing by storing it in its original wrapper in the same environment as the printer for 24 to 48 hours before printing. Extend the time several days if the storage or transportation environment is very different from the printer environment. Thick paper may also require a longer conditioning period.

Grain direction

Grain refers to the alignment of the paper fibers in a sheet of paper. Grain is either *grain long*, running the length of the paper, or *grain short*, running the width of the paper.

For 60–90 g/m² (16–24 lb bond) paper, grain long paper is recommended.

Fiber content

Most high-quality xerographic paper is made from 100% chemically treated pulped wood. This content provides the paper with a high degree of stability resulting in fewer paper feeding problems and better print quality. Paper containing fibers such as cotton can negatively affect paper handling.

Unacceptable paper

The following paper types are not recommended for use with the printer:

- Chemically treated papers used to make copies without carbon paper, also known as carbonless papers, carbonless copy paper (CCP), or no carbon required (NCR) paper
- Preprinted papers with chemicals that may contaminate the printer
- Preprinted papers that can be affected by the temperature in the printer fuser

- Preprinted papers that require a registration (the precise print location on the page) greater than ± 2.3 mm (± 0.9 in.), such as optical character recognition (OCR) forms

In some cases, registration can be adjusted with a software application to successfully print on these forms.

- Coated papers (erasable bond), synthetic papers, thermal papers
- Rough-edged, rough or heavily textured surface papers, or curled papers
- Recycled papers that fail EN12281:2002 (European)
- Paper weighing less than 60 g/m^2 (16 lb)
- Multiple-part forms or documents

Selecting paper

Using appropriate paper prevents jams and helps ensure trouble-free printing.

To help avoid jams and poor print quality:

- *Always* use new, undamaged paper.
- Before loading paper, know the recommended print side. This information is usually indicated on the package.
- *Do not* use paper, paper labels, or card stock that has been cut or trimmed by hand.
- *Do not* mix sizes, types, or weights in the same source; mixing results in jams.
- *Do not* use coated papers unless they are specifically designed for electrophotographic printing.

Selecting preprinted forms and letterhead

Use these guidelines when selecting preprinted forms and letterhead:

- Use grain long for $60\text{--}90 \text{ g/m}^2$ (16–24 lb) paper.
- Use only forms and letterhead printed using an offset lithographic or engraved printing process.
- Avoid papers with rough or heavily textured surfaces.

Use papers printed with heat-resistant inks designed for use in xerographic copiers. The ink must be able to withstand temperatures up to 230°C (446°F) without melting or releasing hazardous emissions. Use inks that are not affected by the resin in toner. Inks that are oxidation-set or oil-based generally meet these requirements; latex inks might not.

When in doubt, contact the paper supplier.

Preprinted papers such as letterhead must be able to withstand temperatures up to 230°C (446°F) without melting or releasing hazardous emissions.

Using recycled paper and other office papers

As an environmentally conscious company, Lexmark supports the use of recycled office paper produced specifically for use in laser (electrophotographic) printers. In 1998, Lexmark presented to the US government a study demonstrating that recycled paper produced by major mills in the US fed as well as non-recycled paper. However, no blanket statement can be made that *all* recycled paper will feed well.

Lexmark consistently tests its printers with recycled paper (20–100% post-consumer waste) and a variety of test paper from around the world, using chamber tests for different temperature and humidity conditions. Lexmark has found no reason to discourage the use of today's recycled office papers, but generally the following property guidelines apply to recycled paper.

- Low moisture content (4–5%)

- Suitable smoothness (100–200 Sheffield units, or 140–350 Bendtsen units, European)

Note: Some much smoother papers (such as premium 24 lb laser papers, 50–90 Sheffield units) and much rougher papers (such as premium cotton papers, 200–300 Sheffield units) have been engineered to work very well in laser printers, despite surface texture. Before using these types of paper, consult your paper supplier.

- Suitable sheet-to-sheet coefficient of friction (0.4–0.6)
- Sufficient bending resistance in the direction of feed

Recycled paper, paper of lower weight (<60 g/m² [16 lb bond]) and/or lower caliper (<3.8 mils [0.1 mm]), and paper that is cut grain-short for portrait (or short-edge) fed printers may have lower bending resistance than is required for reliable paper feeding. Before using these types of paper for laser (electrophotographic) printing, consult your paper supplier. Remember that these are general guidelines only and that paper meeting these guidelines may still cause paper feeding problems in any laser printer (for example, if the paper curls excessively under normal printing conditions).

Storing paper

Use these paper storage guidelines to help avoid jams and uneven print quality:

- For best results, store paper where the temperature is 21°C (70°F) and the relative humidity is 40 percent. Most label manufacturers recommend printing in a temperature range of 18–24°C (65–75°F) with relative humidity between 40 and 60 percent.
- Store paper in cartons, on a pallet or shelf, rather than on the floor.
- Store individual packages on a flat surface.
- Do not store anything on top of individual paper packages.
- Take paper out of the carton or wrapper only when you are ready to load it in the printer. The carton and wrapper help keep the paper clean, dry, and flat.

Supported paper sizes, types, and weights

The following tables provide information on standard and optional paper sources and the sizes, types, and weights of paper they support.

Note: For an unlisted paper size, select the closest *larger* listed size.

Supported paper sizes

Paper size and dimension	Standard 550-sheet tray	Optional 550-sheet tray	Optional 550-sheet specialty media drawer	Optional 2,000-sheet high-capacity feeder	Multipurpose feeder	Manual paper	Manual envelope	Duplex
A4 210 x 297 mm (8.27 x 11.7 in.)	√ ²	√ ¹	√ ¹	√ ¹	√ ²	√ ²	X	√
A5 148 x 210 mm (5.83 x 8.27 in.)	√ ²	√ ¹	√ ²	X	√ ²	√ ²	X	√
A6 105 x 148 mm (4.13 x 5.83 in.)	X	X	√ ²	X	√ ²	√ ²	X	X
JIS B5 182 x 257 mm (7.17 x 10.1 in.)	√ ²	√ ¹	√ ²	X	√ ²	√ ²	X	√
Letter 215.9 x 279.4 mm (8.5 x 11 in.)	√ ²	√ ¹	√ ¹	√ ¹	√ ²	√ ²	X	√
Legal 215.9 x 355.6 mm (8.5 x 14 in.)	√ ²	√ ¹	√ ¹	√ ¹	√ ²	√ ²	X	√
Executive 184.2 x 266.7 mm (7.25 x 10.5 in.)	√ ²	√ ¹	√ ²	X	√ ²	√ ²	X	√
Oficio (México) 215.9 x 340.4 mm (8.5 x 13.4 in.)	√ ²	√ ²	√ ²	X	√ ²	√ ²	X	√
Folio 215.9 x 330.2 mm (8.5 x 13 in.)	√ ²	√ ²	√ ²	X	√ ²	√ ²	X	√

¹ Source supports paper size with *size sensing*.

² Source supports paper size without *size sensing*.

³ Paper size is supported if set to US.

⁴ Paper size is supported if set to metric.

⁵ Paper size is supported if its length is between 8.27 in. (210 mm) and 14 in. (355.6 mm); and its width is between 5.5 in. (139.7 mm) and 8.5 in. (215.9 mm) in short-edge loading orientation.

⁶ This size setting formats the envelope for 215.9 x 355.6 mm (8.5 x 14 in.) unless the size is specified by the software program.

⁷ Turn Size Sensing off to support universal sizes that are close to standard media sizes.

Paper size and dimension	Standard 550-sheet tray	Optional 550-sheet tray	Optional 550-sheet specialty media drawer	Optional 2,000-sheet high-capacity feeder	Multipurpose feeder	Manual paper	Manual envelope	Duplex
Statement 139.7 x 215.9 mm (5.5 x 8.5 in.)	X	X	√ ₂	X	√ ₂	√ ₂	X	√
Universal ⁷ 148 x 210 mm to 215.9 x 355.6 mm (5.83 x 8.27 in. to 8.5 x 14 in.)	√ ₂	√ ₁	√	X	√ ₂	√ ₂	X	√ ₅
Universal ⁷ 76.2 x 127 mm (3 x 5 in.) to 215.9 x 1219.2 mm (8.5 x 48 in.)	X	X	X	X	√ ₂	X	X	X
7 3/4 Envelope (Monarch) 98.4 x 190.5 mm (3.875 x 7.5 in.)	X	X	√ ₂	X	√ ₂	X	√ ₂	X
9 Envelope 98.4 x 226.1 mm (3.875 x 8.9 in.)	X	X	√ ₂	X	√ ₂	X	√ ₂	X
Com 10 Envelope 104.8 x 241.3 mm (4.12 x 9.5 in.)	X	X	√ ₁	X	√ ₂	X	√ ₂	X
DL Envelope 110 x 220 mm (4.33 x 8.66 in.)	X	X	√ ₁	X	√ ₂	X	√ ₂	X
C5 Envelope 162 x 229 mm (6.38 x 9.01 in.)	X	X	√ ₁	X	√ ₂	X	√ ₂	X
B5 Envelope 176 x 250 mm (6.93 x 9.84 in.)	X	X	√ ₂	X	√ ₂	X	√ ₂	X
Other Envelope ⁶ 85.7 x 165 mm to 215.9 x 355.6 mm (3.375 x 6.50 in. to 8.5 x 14 in.)	X	X	√ ₂	X	√ ₂	X	√ ₂	X

¹ Source supports paper size with *size sensing*.

² Source supports paper size without *size sensing*.

³ Paper size is supported if set to US.

⁴ Paper size is supported if set to metric.

⁵ Paper size is supported if its length is between 8.27 in. (210 mm) and 14 in. (355.6 mm); and its width is between 5.5 in. (139.7 mm) and 8.5 in. (215.9 mm) in short-edge loading orientation.

⁶ This size setting formats the envelope for 215.9 x 355.6 mm (8.5 x 14 in.) unless the size is specified by the software program.

⁷ Turn Size Sensing off to support universal sizes that are close to standard media sizes.

Supported paper types and weights

The printer supports 60–220-g/m² (16–58-lb) paper weights.

Note: Labels, transparencies, envelopes, and card stock always print at reduced speed.

Paper type	Standard or optional 550-sheet tray	Optional 550-sheet specialty media drawer	Optional 2,000-sheet high-capacity feeder	Multipurpose feeder	Manual Paper	Manual Envelope	Duplex
Paper <ul style="list-style-type: none"> • Plain • Bond • Colored • Letterhead • Preprinted • Light • Glossy • Heavy • Heavy Glossy • Recycled 	✓	✓	✓	✓	✓	x	✓
Card stock	✓	✓	x	✓	✓	x	x
Transparencies	✓	✓	x	✓	✓	x	x
Labels <ul style="list-style-type: none"> • Paper • Vinyl 	✓	✓	x	✓	✓	x	x
Envelopes	x	✓	x	✓	x	✓	x
Custom Type [x]	✓	✓	✓	✓	✓	✓	✓
Rough/Cotton	✓	✓	✓	✓	✓	x	✓

Understanding the printer menus

Menus list

Supplies Menu

Replace Supply
 Cyan Cartridge
 Magenta Cartridge
 Yellow Cartridge
 Black Cartridge
 Cyan Photoconductor
 Magenta Photoconductor
 Yellow Photoconductor
 Black Photoconductor
 Waste Toner Bottle
 Fuser
 Transfer Module

Security

Miscellaneous Security Settings
 Confidential Print
 Erase Temporary Data Files¹
 Security Audit Log
 Set Date and Time

Paper Menu

Default Source
 Paper Size/Type
 Configure MP
 Substitute Size
 Paper Texture
 Paper Weight
 Paper Loading
 Custom Types
 Universal Setup

Network/Ports

Active NIC
 Standard Network *or* Network [x]²
 Standard USB
 Parallel [x]
 Serial [x]
 SMTP Setup

Reports

Menu Settings Page
 Device Statistics
 Network Setup Page
 Network [x] Setup Page
 Profiles List
 Print Fonts
 Print Directory
 Asset Report

Settings

General Settings
 Flash Drive Menu
 Print Settings

Help

Print All Guides
 Color Quality
 Print Quality
 Printing Guide
 Media Guide
 Print Defects Guide
 Menu Map
 Information Guide
 Connection Guide
 Moving Guide
 Supplies Guide

¹ This menu appears only when a printer hard disk is installed.

² Depending on the printer setup, this menu appears as Standard Network, Wireless Network, or Network [x].

Supplies menu

Use	To
<p>Replace Supply</p> <ul style="list-style-type: none"> All¹ All Photoconductors² Cyan Photoconductor Magenta Photoconductor Yellow Photoconductor Black Photoconductor 	<p>Reset the supply counter for the replacement photoconductor or for all photoconductors.</p> <ul style="list-style-type: none"> • Select Yes to reset the supply counter. • Select No to exit. <p>Note: Reset the supply counter manually after replacing a photoconductor.</p>
<p>Cyan Cartridge</p> <ul style="list-style-type: none"> Early Warning Low Invalid Near End of Life Replace Missing Defective OK Unsupported 	<p>Show the status of the cyan toner cartridge.</p>
<p>Magenta Cartridge</p> <ul style="list-style-type: none"> Early Warning Low Invalid Near End of Life Replace Missing Defective OK Unsupported 	<p>Show the status of the magenta toner cartridge.</p>
<p>Yellow Cartridge</p> <ul style="list-style-type: none"> Early Warning Low Invalid Near End of Life Replace Missing Defective OK Unsupported 	<p>Show the status of the yellow toner cartridge.</p>
<p>¹ This menu appears only in non-touch-screen printer models.</p> <p>² This menu appears only in touch-screen printer models.</p>	

Use	To
Black Cartridge Early Warning Low Invalid Near End of Life Replace Missing Defective OK Unsupported	Show the status of the black toner cartridge.
Cyan Photoconductor Early Warning Low Replace Missing OK	Show the status of the cyan photoconductor.
Magenta Photoconductor Early Warning Low Replace Missing OK	Show the status of the magenta photoconductor.
Yellow Photoconductor Early Warning Low Replace Missing OK	Show the status of the yellow photoconductor.
Black Photoconductor Early Warning Low Replace Missing OK	Show the status of the black photoconductor.
Waste Toner Bottle Near Full Replace Missing OK	Show the status of the waste toner bottle.
¹ This menu appears only in non-touch-screen printer models. ² This menu appears only in touch-screen printer models.	

Use	To
Fuser Early Warning Low Replace Missing OK	Show the status of the fuser.
Transfer Module Early Warning Low Replace Missing OK	Show the status of the transfer module.
¹ This menu appears only in non-touch-screen printer models. ² This menu appears only in touch-screen printer models.	

Paper menu

Default Source menu

Use	To
Default Source Tray [x] MP Feeder Manual Paper Manual Envelope	Set a default paper source for all print jobs. Notes: <ul style="list-style-type: none"> • Tray 1 (standard tray) is the factory default setting. • From the Paper menu, Configure MP Feeder must be set to Cassette for MP Feeder to appear as a menu setting.

Paper Size/Type menu

Use	To
Tray [x] Size A4 A5 JIS B5 Letter Legal Executive Oficio (México) Folio Universal	Specify the paper size loaded in each tray. Notes: <ul style="list-style-type: none"> • The factory default setting depends on the value of Paper Sizes in the General Settings menu. • For trays with automatic paper size sensing, only the size detected by the tray appears.
Note: Only installed trays are listed in this menu.	

Use	To
<p>Tray [x] Type</p> <ul style="list-style-type: none"> Plain Paper Card Stock Transparency Recycled Glossy Heavy Glossy Labels Vinyl Labels Bond Letterhead Preprinted Colored Paper Light Paper Heavy Paper Rough/Cotton Custom Type [x] 	<p>Specify the type of paper loaded in each tray.</p> <p>Notes:</p> <ul style="list-style-type: none"> • Plain Paper is the factory default setting for Tray 1. Custom Type [x] is the factory default setting for all other trays. • If available, a user-defined name will appear instead of Custom Type [x]. • Use this menu item to configure automatic tray linking.
<p>MP Feeder Size</p> <ul style="list-style-type: none"> A4 A5 A6 JIS B5 Letter Legal Executive Oficio (México) Folio Statement Universal 7 3/4 Envelope 9 Envelope 10 Envelope DL Envelope C5 Envelope B5 Envelope Other Envelope 	<p>Specify the paper size loaded in the multipurpose feeder.</p> <p>Notes:</p> <ul style="list-style-type: none"> • Letter is the US factory default setting. A4 is the international factory default setting. • From the Paper menu, Configure MP Feeder must be set to Cassette for MP Feeder Size to appear as a menu item.

Note: Only installed trays are listed in this menu.

Use	To
<p>MP Feeder Type</p> <ul style="list-style-type: none"> Plain Paper Card Stock Transparency Recycled Glossy Heavy Glossy Labels Vinyl Labels Bond Envelope Rough Envelope Letterhead Preprinted Colored Paper Light Paper Heavy Paper Rough/Cotton Custom Type [x] 	<p>Specify the type of paper loaded in the multipurpose feeder</p> <p>Notes:</p> <ul style="list-style-type: none"> • Custom Type [x] is the factory default setting. • From the Paper menu, Configure MP Feeder must be set to Cassette for MP Feeder Type to appear as a menu item.
<p>Manual Paper Size</p> <ul style="list-style-type: none"> A4 A5 A6 JIS B5 Letter Legal Executive Oficio (México) Folio Statement Universal 	<p>Specify the size of the paper being manually loaded.</p> <p>Note: Letter is the US factory default setting. A4 is the international factory default setting.</p>
<p>Note: Only installed trays are listed in this menu.</p>	

Use	To
<p>Manual Paper Type</p> <ul style="list-style-type: none"> Plain Paper Card Stock Transparency Recycled Glossy Heavy Glossy Labels Vinyl Labels Bond Letterhead Preprinted Colored Paper Light Paper Heavy Paper Roug/Cotton Custom Type [x] 	<p>Specify the type of paper being manually loaded.</p> <p>Note: Plain paper is the factory default setting.</p>
<p>Manual Envelope Size</p> <ul style="list-style-type: none"> 7 3/4 Envelope 9 Envelope 10 Envelope DL Envelope C5 Envelope B5 Envelope Other Envelope 	<p>Specify the size of the envelope being manually loaded.</p> <p>Note: 10 Envelope is the US factory default setting. DL Envelope is the international factory default setting.</p>
<p>Manual Envelope Type</p> <ul style="list-style-type: none"> Envelope Rough Envelope Custom Type [x] 	<p>Specify the type of envelope being manually loaded.</p> <p>Note: Envelope is the factory default setting.</p>
<p>Note: Only installed trays are listed in this menu.</p>	

Configure MP menu

Use	To
<p>Configure MP</p> <ul style="list-style-type: none"> Cassette Manual First 	<p>Determine when the printer selects paper from the multipurpose feeder.</p> <p>Notes:</p> <ul style="list-style-type: none"> • Cassette is the factory default setting. Cassette configures the multipurpose feeder as the automatic paper source. • Manual sets the multipurpose feeder only for manual-feed print jobs. • First configures the multipurpose feeder as the primary paper source.

Substitute Size menu

Use	To
Substitute Size Off Statement/A5 Letter/A4 All Listed	Substitute a specified paper size if the requested paper size is not available. Notes: <ul style="list-style-type: none"> • All Listed is the factory default setting. All available substitutions are allowed. • Off indicates that no size substitutions are allowed. • Setting a size substitution lets the print job continue without Change Paper appearing.

Paper Texture menu

Use	To
Plain Texture Smooth Normal Rough	Specify the relative texture of the plain paper loaded. Note: Normal is the factory default setting.
Card Stock Texture Smooth Normal Rough	Specify the relative texture of the card stock loaded. Notes: <ul style="list-style-type: none"> • Normal is the factory default setting. • The options appear only if card stock is supported.
Transparency Texture Smooth Normal Rough	Specify the relative texture of the transparencies loaded. Note: Normal is the factory default setting.
Recycled Texture Smooth Normal Rough	Specify the relative texture of the recycled paper loaded.
Glossy Texture Smooth Normal Rough	Specify the relative texture of the glossy paper loaded. Note: Normal is the factory default setting.
Heavy Glossy Texture Smooth Normal Rough	Specify the relative texture of the heavy glossy paper loaded. Note: Normal is the factory default setting.
Labels Texture Smooth Normal Rough	Specify the relative texture of the labels loaded. Note: Normal is the factory default setting.

Use	To
Vinyl Labels Texture Smooth Normal Rough	Specify the relative texture of the vinyl labels loaded. Note: Normal is the factory default setting.
Bond Texture Smooth Normal Rough	Specify the relative texture of the bond paper loaded. Note: Rough is the factory default setting.
Envelope Texture Smooth Normal Rough	Specify the relative texture of the envelopes loaded. Note: Normal is the factory default setting.
Rough Envelope Texture Rough	Specify the relative texture of the envelopes loaded. Note: Rough is the factory default setting.
Letterhead Texture Smooth Normal Rough	Specify the relative texture of the letterhead loaded. Note: Normal is the factory default setting.
Preprinted Texture Smooth Normal Rough	Specify the relative texture of the preprinted paper loaded. Note: Normal is the factory default setting.
Colored Texture Smooth Normal Rough	Specify the relative texture of the colored paper loaded. Note: Normal is the factory default setting.
Light Texture Smooth Normal Rough	Specify the relative texture of the light paper loaded. Note: Normal is the factory default setting.
Heavy Texture Smooth Normal Rough	Specify the relative texture of the heavy paper loaded. Note: Normal is the factory default setting.
Rough/Cotton Texture Rough	Specify the relative texture of the cotton paper loaded.
Custom [x] Texture Smooth Normal Rough	Specify the relative texture of the custom paper loaded. Notes: <ul style="list-style-type: none"> • Normal is the factory default setting. • The options appear only if custom type is supported.

Paper Weight menu

Use	To
Plain Weight Light Normal Heavy	Specify the relative weight of the plain paper loaded. Note: Normal is the factory default setting.
Card Stock Weight Light Normal Heavy	Specify the relative weight of the card stock loaded. Note: Normal is the factory default setting.
Transparency Weight Light Normal Heavy	Specify the relative weight of the transparencies loaded. Note: Normal is the factory default setting.
Recycled Weight Light Normal Heavy	Specify the relative weight of the recycled paper loaded. Note: Normal is the factory default setting.
Glossy Weight Light Normal Heavy	Specify the relative weight of the glossy paper loaded. Note: Normal is the factory default setting.
Heavy Glossy Weight Light Normal Heavy	Specify the relative weight of the heavy glossy paper loaded. Note: Normal is the factory default setting.
Labels Weight Light Normal Heavy	Specify the relative weight of the labels loaded. Note: Normal is the factory default setting.
Vinyl Labels Weight Light Normal Heavy	Specify the relative weight of the vinyl labels loaded. Note: Normal is the factory default setting.
Bond Weight Light Normal Heavy	Specify the relative weight of the bond paper loaded. Note: Normal is the factory default setting.
Envelope Weight Light Normal Heavy	Specify the relative weight of the envelope loaded. Note: Normal is the factory default setting.

Use	To
Rough Envelope Weight Light Normal Heavy	Specify the relative weight of the rough envelope loaded. Note: Normal is the factory default setting.
Letterhead Weight Light Normal Heavy	Specify the relative weight of the letterhead loaded. Note: Normal is the factory default setting.
Preprinted Weight Light Normal Heavy	Specify the relative weight of the preprinted paper loaded. Note: Normal is the factory default setting.
Colored Weight Light Normal Heavy	Specify the relative weight of the colored paper loaded. Note: Normal is the factory default setting.
Light Weight Light	Specify the relative weight of the paper loaded.
Heavy Weight Heavy	Specify the relative weight of the paper loaded.
Rough/Cotton Weight Light Normal Heavy	Specify the relative weight of the cotton paper loaded. Note: Normal is the factory default setting.
Custom [x] Weight Light Normal Heavy	Specify the relative weight of the custom paper loaded. Notes: <ul style="list-style-type: none"> • Normal is the factory default setting. • The options appear only when the custom type is supported.

Paper Loading menu

Use	To
Card Stock Loading Duplex Off	Determine and set two-sided printing for all print jobs that specify Card Stock as the paper type.
Notes: <ul style="list-style-type: none"> • Off is the factory default setting for all Paper Loading menus. • Duplex sets the printer default to two-sided printing for every print job unless one-sided printing is selected from the Print Properties settings in Windows or from the Print Dialog settings in Macintosh. • If Duplex is selected, then all print jobs are sent through the duplex unit, including one-sided print jobs. 	

Use	To
Recycled Loading Duplex Off	Determine and set two-sided printing for all print jobs that specify Recycled as the paper type.
Glossy Loading Duplex Off	Determine and set two-sided printing for all print jobs that specify Glossy as the paper type.
Heavy Glossy Loading Off Duplex	Determine and set two-sided printing for all print jobs that specify Heavy Glossy as the paper type.
Labels Loading Off Duplex	Determine and set two-sided printing for all print jobs that specify Labels as the paper type.
Vinyl Labels Loading Off Duplex	Determine and set two-sided printing for all print jobs that specify Vinyl Labels as the paper type.
Bond Loading Duplex Off	Determine and set two-sided printing for all print jobs that specify Bond as the paper type.
Letterhead Loading Duplex Off	Determine and set two-sided printing for all print jobs that specify Letterhead as the paper type.
Preprinted Loading Duplex Off	Determine and set two-sided printing for all print jobs that specify Preprinted as the paper type.
Colored Loading Duplex Off	Determine and set two-sided printing for all print jobs that specify Colored as the paper type.
Light Loading Duplex Off	Determine and set two-sided printing for all print jobs that specify Light as the paper type.
Heavy Loading Duplex Off	Determine and set two-sided printing for all print jobs that specify Heavy as the paper type.
Rough/Cotton Loading Duplex Off	Determine and set two-sided printing for all print jobs that specify Rough or Cotton as the paper type.
Notes: <ul style="list-style-type: none"> • Off is the factory default setting for all Paper Loading menus. • Duplex sets the printer default to two-sided printing for every print job unless one-sided printing is selected from the Print Properties settings in Windows or from the Print Dialog settings in Macintosh. • If Duplex is selected, then all print jobs are sent through the duplex unit, including one-sided print jobs. 	

Use	To
Custom [x] Loading Duplex Off	Determine and set two-sided printing for all print jobs that specify Custom [x] as the paper type. Note: Custom [x] Loading is available only if the custom paper type is supported.
Notes: <ul style="list-style-type: none"> • Off is the factory default setting for all Paper Loading menus. • Duplex sets the printer default to two-sided printing for every print job unless one-sided printing is selected from the Print Properties settings in Windows or from the Print Dialog settings in Macintosh. • If Duplex is selected, then all print jobs are sent through the duplex unit, including one-sided print jobs. 	

Custom Types menu

Use	To
Custom Type [x] Paper Card Stock Transparency Glossy Labels Vinyl Labels Envelope	Associate a paper or specialty media type with a user-defined custom name created in the Embedded Web Server or in MarkVision™ Professional. Notes: <ul style="list-style-type: none"> • Paper is the factory default setting. • The custom paper type must be supported in the selected tray or multipurpose feeder in order to print from that source.
Recycled Paper Card Stock Transparency Glossy Labels Vinyl Labels Envelope	Specify a paper type when the Recycled setting is selected in other menus. Notes: <ul style="list-style-type: none"> • Paper is the factory default setting. • The custom paper type must be supported in the selected tray or multipurpose feeder in order to print from that source.

Custom Names menu

Use	To
Custom Name [x]	Specify a custom name for a paper type. This name replaces the Custom Type [x] name in the printer menus. Note: This menu item appears only in touch-screen printer models.

Universal Setup menu

Use	To
Units of Measure Inches Millimeters	Specify the unit of measure. Note: Inches is the US factory default setting. Millimeters is the international factory default setting.
Portrait Width 3–48 inches 76–1219 mm	Set the width for a portrait page orientation. Notes: <ul style="list-style-type: none"> • 8.5 inches is the US factory default setting. 216 mm is the international factory default setting. • If the specified width exceeds the maximum, then the printer uses the maximum width allowed. • The width can be increased in 0.01-inch or in 1-mm increments.
Portrait Height 3–48 inches 76–1219 mm	Set the height for a portrait page orientation. Notes: <ul style="list-style-type: none"> • 14 inches is the US factory default setting. 356 mm is the international factory default setting. • If the specified height exceeds the maximum, then the printer uses the maximum height allowed. • The height can be increased in 0.01-inch or in 1-mm increments.
Feed Direction Short Edge Long Edge	Specify the feed direction. Notes: <ul style="list-style-type: none"> • Short Edge is the factory default setting. • Long Edge appears only when the paper or specialty media can be loaded in either direction.

Reports menu

Reports menu

Use	To
Menu Settings Page	Print a report containing information about the paper loaded in trays, installed memory, total page count, alarms, timeouts, printer control panel language, TCP/IP address, status of supplies, status of the network connection, and other information.
Device Statistics	Print a report containing printer statistics such as supply information and details about printed pages.
Network Setup Page	Print a report containing information about the network printer settings, such as the TCP/IP address information. Note: This menu item appears only in network printers or in printers connected to print servers.

Use	To
Network [x] Setup Page	Print a report containing information about the network printer settings, such as the TCP/IP address information. Notes: <ul style="list-style-type: none"> • This menu item is available when more than one network option is installed. • This menu item appears only in network printers or in printers connected to print servers.
Profiles List	Print a list of profiles stored in the printer. Note: This menu item appears only when LDSS is enabled.
Print Fonts PCL Fonts PostScript Fonts	Print a report of all the fonts available for the printer language currently set in the printer. Note: A separate list is available for PCL and PostScript emulations.
Print Directory	Print a list of all the resources stored in an optional flash memory card or printer hard disk. Notes: <ul style="list-style-type: none"> • Job Buffer Size must be set to 100%. • Make sure the optional flash memory or printer hard disk is installed correctly and working properly. • This menu item appears only when a flash and/or disk option is installed.
Asset Report	Print a report containing printer asset information, such as serial number and model name.

Network/Ports menu

Active NIC menu

Use	To
Active NIC Auto [list of available network cards]	Notes: <ul style="list-style-type: none"> • Auto is the factory default setting. • This menu item appears only when an optional network card is installed.

Standard Network or Network [x] menus

Note: Only active ports appear in this menu. All inactive ports are omitted.

Use	To
PCL SmartSwitch On Off	Set the printer to automatically switch to PCL emulation when a print job requires it, regardless of the default printer language. Notes: <ul style="list-style-type: none"> • On is the factory default setting. • When Off is used, the printer does not examine incoming data. The printer uses PostScript emulation if PS SmartSwitch is set to On. It uses the default printer language specified in the Setup menu if PS SmartSwitch is set to Off.
PS SmartSwitch On Off	Set the printer to automatically switch to PS emulation when a print job requires it, regardless of the default printer language. Notes: <ul style="list-style-type: none"> • On is the factory default setting. • When Off is used, the printer does not examine incoming data. The printer uses PCL emulation if PCL SmartSwitch is set to On. It uses the default printer language specified in the Setup menu if PCL SmartSwitch is set to Off.
NPA Mode Off Auto	Set the printer to perform the special processing required for bidirectional communication following the conventions defined by the NPA protocol. Notes: <ul style="list-style-type: none"> • Auto is the factory default setting. • Changing this setting from the printer control panel and then exiting the menus causes the printer to restart. The menu selection is then updated.
Network Buffer Auto 3KB to [maximum size allowed]	Set the size of the network input buffer. Notes: <ul style="list-style-type: none"> • Auto is the factory default setting. • The value can be changed in 1-KB increments. • The maximum size allowed depends on the amount of memory in the printer, the size of the other link buffers, and whether Resource Save is set to On or Off. • To increase the maximum size range for the Network Buffer, disable or reduce the size of the parallel, serial, and USB buffers. • Changing this setting from the printer control panel and then exiting the menus causes the printer to restart. The menu selection is then updated.
Job Buffering Off On Auto	Temporarily store print jobs in the printer hard disk before printing. This menu only appears when a formatted disk is installed. Notes: <ul style="list-style-type: none"> • Off is the factory default setting. • On buffers print jobs on the printer hard disk. • Auto buffers print jobs only when the printer is busy processing data from another input port. • Changing this setting from the printer control panel and then exiting the menus causes the printer to restart. The menu selection is then updated.

Use	To
Mac Binary PS On Off Auto	Set the printer to process Macintosh binary PostScript print jobs. Notes: <ul style="list-style-type: none"> • Auto is the factory default setting. • Off filters print jobs using the standard protocol. • On processes raw binary PostScript print jobs.
Standard Network Setup OR Network [x] Setup Reports Network Card TCP/IP IPv6 Wireless AppleTalk	Display and set the printer network settings. Note: The Wireless menu appears only when the printer is connected to a wireless network.

Reports menu

To access the menu, navigate to any of the following:

- **Network/Ports menu > Networks/Ports > Standard Network > Standard Network Setup > Reports**
- **Network/Ports menu > Networks/Ports > Network [x] > Network [x] Setup > Reports**

Use	To
Print Setup Page	Print a report containing information about the network printer settings, such as the TCP/IP address.

Network Card menu

To access the menu, navigate to any of the following:

- **Network/Ports menu > Network/Ports > Standard Network > Standard Network Setup > Network Card**
- **Network/Ports menu > Network/Ports > Network [x] > Network [x] Setup > Network Card**

Use	To
View Card Status Connected Disconnected	View the connection status of the network card.
View Card Speed	View the speed of an active network card.
Network Address UAA LAA	View the network addresses.

Use	To
Job Timeout 0, 10–255 seconds	Set the amount of time it takes for a network print job to be canceled. Notes: <ul style="list-style-type: none"> • 90 seconds is the factory default setting. • A setting value of 0 disables the timeout. • If a value of 1–9 is selected, then the setting is saved as 10.
Banner Page Off On	Allow the printer to print a banner page. Note: Off is the factory default setting.

TCP/IP menu

Note: This menu is available only in network models or printers attached to print servers.

To access the menu, navigate to any of the following:

- **Network/Ports > Standard Network > Standard Network Setup > TCP/IP**
- **Network/Ports > Network [x] > Network [x] Setup > TCP/IP**

Use	To
Activate On Off	Activate or deactivate TCP/IP. Note: On is the factory default setting.
Set Hostname	Set the current TCP/IP host name. Note: This can be changed only from the Embedded Web Server.
IP Address	View or change the current TCP/IP address. Note: Manually setting the IP address sets the Enable DHCP and Enable Auto IP settings to Off. It also sets Enable BOOTP and Enable RARP to Off on systems that support BOOTP and RARP.
Netmask	View or change the current TCP/IP netmask.
Gateway	View or change the current TCP/IP gateway.
Enable DHCP On Off	Specify the DHCP address and parameter assignment setting. Note: On is the factory default setting.
Enable RARP On Off	Specify the RARP address assignment setting. Note: On is the factory default setting.
Enable BOOTP On Off	Specify the BOOTP address assignment setting. Note: On is the factory default setting.
Enable Auto IP Yes No	Specify the Zero Configuration Networking setting. Note: Yes is the factory default setting.

Use	To
Enable FTP/TFTP Yes No	Enable the built-in FTP server, which lets you send files to the printer using File Transfer Protocol. Note: Yes is the factory default setting.
Enable HTTP Server Yes No	Enable the built-in Web server (Embedded Web Server). When enabled, you can monitor and manage the printer remotely using a Web browser. Note: Yes is the factory default setting.
WINS Server Address	View or change the current WINS server address.
Enable DDNS Yes No	View or change the current DDNS setting Note: Yes is the factory default setting.
Enable mDNS Yes No	View or change the current mDNS setting. Note: Yes is the factory default setting.
DNS Server Address	View or change the current DNS server address.
Enable HTTPS Yes No	View or change the current HTTPS setting. Note: Yes is the factory default setting.

IPv6 menu

To access the menu, navigate to any of the following:

- **Network/Ports menu > Standard Network > Standard Network Setup > IPv6**
- **Network/Ports menu > Network [x] > Network [x] Setup > IPv6**

Note: This menu is available only in network printers or printers that are attached to print servers.

Use	To
Enable IPv6 On Off	Enable IPv6 in the printer. Note: On is the factory default setting.
Auto Configuration On Off	Specify whether or not the network adapter accepts the automatic IPv6 address configuration entries provided by a router. Note: On is the factory default setting.
Set Hostname	Set the host name.
View Address	Note: These settings can be changed only from the Embedded Web Server.
View Router Address	
Enable DHCPv6 On Off	Enable DHCPv6 in the printer. Note: On is the factory default setting.

Wireless menu

Note: This menu is available only in printer models connected to a wireless network.

To access the menu, navigate to any of the following:

- **Network/Ports > Standard Network > Standard Network Setup > Wireless**
- **Network/Ports > Network [x] > Network [x] Setup > Wireless**

Use	To
Wi-Fi Protected Setup (WPS) Start Push Button Method Start PIN Method	Establish a wireless network and enable network security. Notes: <ul style="list-style-type: none"> • Start Push Button Method connects the printer to a wireless network by pressing buttons on both the printer and the access point (wireless router) within a given period of time. • Start PIN Method connects the printer to a wireless network by using a PIN on the printer and entering it into the wireless settings of the access point.
Enable/Disable WPS Auto-detection Enable Disable	Automatically detect the connection method that an access point with WPS uses—Start Push Button Method or Start PIN Method. Note: Disable is the factory default setting.
Network Mode Infrastructure Ad hoc	Specify the network mode. Notes: <ul style="list-style-type: none"> • Ad hoc is the factory default setting. This configures wireless connection directly between the printer and a computer. • Infrastructure lets the printer access a network using an access point.
Compatibility 802.11b/g 802.11b/g/n	Specify the wireless standard for the wireless network. Note: The 802.11b/g/n is the factory default setting.
Choose Network	Select an available network for the printer to use.
View Signal Quality	View the quality of the wireless connection.
View Security Mode	View the encryption method for the wireless network.

AppleTalk menu

To access the menu, navigate to either of the following:

- **Network/Ports > Standard Network > Standard Network Setup > AppleTalk**
- **Network/Ports > Network [x] > Network [x] Setup > AppleTalk**

Use	To
Activate Yes No	Enable or disable AppleTalk support. Note: No is the factory default setting.

Use	To
View Name	Show the assigned AppleTalk name. Note: The AppleTalk name can be changed only from the Embedded Web Server.
View Address	Show the assigned AppleTalk address. Note: The AppleTalk address can be changed only from the Embedded Web Server.
Set Zone [list of zones available on the network]	Provide a list of AppleTalk zones available on the network. Note: The default zone for the network is the factory default setting.

Standard USB menu

Use	To
PCL SmartSwitch On Off	Set the printer to automatically switch to PCL emulation when a print job received through a USB port requires it, regardless of the default printer language. Notes: <ul style="list-style-type: none"> • On is the factory default setting. • When set to Off, the printer does not examine incoming data. The printer uses PostScript emulation if the PS SmartSwitch is set to On. It uses the default printer language specified in the Setup menu if the PS SmartSwitch is set to Off.
PS SmartSwitch On Off	Set the printer to automatically switch to PS emulation when a print job received through a USB port requires it, regardless of the default printer language. Notes: <ul style="list-style-type: none"> • On is the factory default setting. • When set to Off, the printer does not examine incoming data. The printer uses PCL emulation if the PCL SmartSwitch is set to On. It uses the default printer language specified in the Setup menu if the PCL SmartSwitch is set to Off.
NPA Mode On Off Auto	Set the printer to perform the special processing required for bidirectional communication following the conventions defined by the NPA protocol. Notes: <ul style="list-style-type: none"> • Auto is the factory default setting. Auto sets the printer to examine data, determine the format, and then process it appropriately. • The printer automatically restarts when changing the setting from the printer control panel. The menu selection is then updated.

Use	To
USB Buffer Disabled Auto 3K to [maximum size allowed]	Set the size of the USB input buffer. Notes: <ul style="list-style-type: none"> • Auto is the factory default setting. • Disabled turns off job buffering. Any jobs already buffered on the printer hard disk are printed before normal processing resumes. • The USB buffer size value can be changed in 1-K increments. • The maximum size allowed depends on the amount of memory in the printer, the size of the other link buffers, and whether Resource Save is set to On or Off. • To increase the maximum size range for the USB Buffer, disable or reduce the size of the parallel, serial, and network buffers. • The printer automatically restarts when the setting is changed from the printer control panel. The menu selection is then updated.
Job Buffering Off On Auto	Temporarily store print jobs in the printer hard disk before printing. Notes: <ul style="list-style-type: none"> • Off is the factory default setting. • On buffers jobs on the printer hard disk. • Auto buffers print jobs only if the printer is busy processing data from another input port. • Changing this setting from the printer control panel and then exiting the menus causes the printer to restart. The menu selection is then updated.
Mac Binary PS On Off Auto	Set the printer to process Macintosh binary PostScript print jobs. Notes: <ul style="list-style-type: none"> • Auto is the factory default setting. • On processes raw binary PostScript print jobs. • Off filters print jobs using the standard protocol.
ENA Address YYY.YYY.YYY.YYY	Set the network address information for an external print server. Note: This menu is available only when the printer is attached to an external print server through the USB port.
ENA Netmask YYY.YYY.YYY.YYY	Set the netmask information for an external print server. Note: This menu is available only when the printer is attached to an external print server through the USB port.
ENA Gateway YYY.YYY.YYY.YYY	Set the gateway information for an external print server. Note: This menu is available only when the printer is attached to an external print server through the USB port.

Parallel [x] menu

Note: This menu appears only when an optional parallel card is installed.

Use	To
PCL SmartSwitch On Off	Set the printer to automatically switch to PCL emulation when a print job received through a serial port requires it, regardless of the default printer language. Notes: <ul style="list-style-type: none"> • On is the factory default setting. • When set to Off, the printer does not examine incoming data. The printer uses PostScript emulation if PS SmartSwitch is set to On. It uses the default printer language specified in the Setup menu if PS SmartSwitch is set to Off.
PS SmartSwitch On Off	Set the printer to automatically switch to PS emulation when a print job received through a serial port requires it, regardless of the default printer language. Notes: <ul style="list-style-type: none"> • On is the factory default setting. • When set to Off, the printer does not examine incoming data. The printer uses PCL emulation if PCL SmartSwitch is set to On. It uses the default printer language specified in the Setup menu if PCL SmartSwitch is set to Off.
NPA Mode On Off Auto	Set the printer to perform the special processing required for bidirectional communication following the conventions defined by the NPA protocol. Notes: <ul style="list-style-type: none"> • Auto is the factory default setting. • Changing this setting from the printer control panel and then exiting the menus causes the printer to restart. The menu selection is then updated.
Parallel Buffer Disabled Auto 3K to [maximum size allowed]	Set the size of the parallel input buffer. Notes: <ul style="list-style-type: none"> • Auto is the factory default setting. • Disabled turns off job buffering. Any print jobs already buffered on the printer hard disk are printed before normal processing resumes. • The parallel buffer size setting can be changed in 1-KB increments. • The maximum size allowed depends on the amount of memory in the printer, the size of the other link buffers, and whether Resource Save is set to On or Off. • To increase the maximum size range for the Parallel Buffer, disable or reduce the size of the USB, serial, and network buffers. • Changing this setting from the printer control panel and then exiting the menus causes the printer to restart. The menu selection is then updated.
Job Buffering Off On Auto	Temporarily store print jobs on the printer hard disk before printing. Notes: <ul style="list-style-type: none"> • Off is the factory default setting. • On buffers print jobs on the printer hard disk. • Auto buffers print jobs only if the printer is busy processing data from another input port. • Changing this setting from the printer control panel and then exiting the menus causes the printer to restart. The menu selection is then updated.

Use	To
Advanced Status On Off	Enable bidirectional communication through the parallel port. Notes: <ul style="list-style-type: none"> • On is the factory default setting. • Off disables parallel port negotiation.
Protocol Standard Fastbytes	Specify the parallel port protocol. Notes: <ul style="list-style-type: none"> • Fastbytes is the factory default setting. It provides compatibility with most existing parallel ports and is the recommended setting. • Standard tries to resolve parallel port communication problems.
Honor Init On Off	Determine if the printer honors printer hardware initialization requests from the computer. Notes: <ul style="list-style-type: none"> • Off is the factory default setting. • The computer requests initialization by activating the Init signal from the parallel port. Many personal computers activate the Init signal each time the computer is turned on.
Parallel Mode 2 On Off	Determine if the parallel port data is sampled on the leading or trailing edge of a strobe. Note: On is the factory default setting.
Mac Binary PS On Off Auto	Set the printer to process Macintosh binary PostScript print jobs. Notes: <ul style="list-style-type: none"> • Auto is the factory default setting. • Off filters print jobs using the standard protocol. • On processes raw binary PostScript print jobs.
ENA Address YYY.YYY.YYY.YYY	Set the network address information for an external print server. Note: This menu item is available only if the printer is attached to an external print server through the USB port.
ENA Netmask YYY.YYY.YYY.YYY	Set the netmask information for an external print server. Note: This menu item is available only if the printer is attached to an external print server through the USB port.
ENA Gateway YYY.YYY.YYY.YYY	Set the gateway information for an external print server. Note: This menu item is available only if the printer is attached to an external print server through the USB port.

Serial [x] menu

Note: This menu appears only when an optional serial card is installed.

Use	To
PCL SmartSwitch On Off	Set the printer to automatically switch to PCL emulation when a print job received through a serial port requires it, regardless of the default printer language. Notes: <ul style="list-style-type: none"> • On is the factory default setting. • When set to Off, the printer does not examine incoming data. The printer uses PostScript emulation if PS SmartSwitch is set to On. It uses the default printer language specified in the Setup menu if PS SmartSwitch is set to Off.
PS SmartSwitch On Off	Set the printer to automatically switch to PS emulation when a print job received through a serial port requires it, regardless of the default printer language. Notes: <ul style="list-style-type: none"> • On is the factory default setting. • When set to Off, the printer does not examine incoming data. The printer uses PCL emulation if PCL SmartSwitch is set to On. It uses the default printer language specified in the Setup menu if PCL SmartSwitch is set to Off.
NPA Mode On Off Auto	Set the printer to perform the special processing required for bidirectional communication following the conventions defined by the NPA protocol. Notes: <ul style="list-style-type: none"> • Auto is the factory default setting. Auto sets the printer to examine data, determine the format, and then processes it appropriately. • When set to On, the printer performs NPA processing. If the data is not in NPA format, it is rejected as bad data. • When set to Off, the printer does not perform NPA processing. • Changing this setting from the printer control panel and then exiting the menus causes the printer to restart. The menu selection is then updated.
Serial Buffer Disabled Auto 3K to [maximum size allowed]	Set the size of the serial input buffer. Notes: <ul style="list-style-type: none"> • Auto is the factory default setting. • Disabled turns off job buffering. Any jobs already buffered on the disk are printed before normal processing is resumed. • The serial buffer size setting can be changed in 1-KB increments. • The maximum size allowed depends on the amount of memory in the printer, the size of the other link buffers, and whether Resource Save is set to On or Off. • To increase the maximum size range for the Serial Buffer, disable or reduce the size of the parallel, serial, and network buffers. • Changing this setting from the printer control panel and then exiting the menus causes the printer to restart. The menu selection is then updated.

Use	To
Job Buffering Off On Auto	Temporarily store print jobs on the printer hard disk before printing. Notes: <ul style="list-style-type: none"> • Off is the factory default setting. The printer does not buffer print jobs on the printer hard disk. • On buffers print jobs on the printer hard disk. • Auto buffers print jobs only if the printer is busy processing data from another input port. • Changing this setting from the printer control panel and then exiting the menus causes the printer to restart. The menu selection is then updated.
Protocol DTR DTR/DSR XON/XOFF XON/XOFF/DTR XONXOFF/DTRDSR	Select the hardware and software handshaking settings for the serial port. Notes: <ul style="list-style-type: none"> • DTR is the factory default setting. • DTR/DSR is a hardware handshaking setting. • XON/XOFF is a software handshaking setting. • XON/XOFF/DTR and XON/XOFF/DTR/DSR are combined hardware and software handshaking settings.
Robust XON On Off	Determine whether the printer communicates availability to the computer. Notes: <ul style="list-style-type: none"> • Off is the factory default setting. • This menu item applies only to the serial port if Serial Protocol is set to XON/XOFF.
Baud 1200 2400 4800 9600 19200 38400 57600 115200 138200 172800 230400 345600	Specify the rate at which data can be received through the serial port. Notes: <ul style="list-style-type: none"> • 9600 is the factory default setting. • 138200, 172800, 230400, and 345600 baud rates are only displayed in the Standard Serial menu. These settings do not appear in the Serial Option 1, Serial Option 2, or Serial Option 3 menus.
Data Bits 7 8	Specify the number of data bits sent in each transmission frame. Note: 8 is the factory default setting.

Use	To
Parity Even Odd None Ignore	Set the parity for serial input and output data frames. Note: None is the factory default setting.
Honor DSR On Off	Determine whether the printer uses the DSR Signal. Notes: <ul style="list-style-type: none"> • Off is the factory default setting. • DSR is a handshaking signal used by most serial cables. The serial port uses DSR to distinguish data sent by the computer from data created by electrical noise in the serial cable. The electrical noise can cause stray characters to print. Set this to On to prevent stray characters from printing.

SMTP Setup menu

Use	To
Primary SMTP Gateway	Specify SMTP server gateway and port information. Note: 25 is the default SMTP gateway port.
Primary SMTP Gateway Port	
Secondary SMTP Gateway	
Secondary SMTP Gateway Port	
SMTP Timeout 5–30	Specify the amount of time in seconds before the server stops trying to send an e-mail. Note: 30 seconds is the factory default setting.
Reply Address	Specify a reply address of up to 128 characters in the e-mail sent by the printer.
Use SSL Disabled Negotiate Required	Set the printer to use SSL for increased security when connecting to the SMTP server. Notes: <ul style="list-style-type: none"> • Disabled is the factory default setting. • When the Negotiate setting is used, the SMTP server determines if SSL will be used.
SMTP Server Authentication No authentication required Login/Plain CRAM-MD5 Digest-MD5 NTLM Kerberos 5	Specify the type of user authentication required for scan to e-mail privileges. Note: “No authentication required” is the factory default setting.

* This menu appears only in touch-screen printer models.

Use	To
Device-Initiated E-mail None Use Device SMTP Credentials	Specify what credentials will be used when communicating to the SMTP server. Some SMTP servers require credentials to send an e-mail. Notes: <ul style="list-style-type: none"> • None is the factory default setting for Device-Initiated E-mail and User-Initiated E-mail. • Device Userid and Device Password are used to log in to the SMTP server when Use Device SMTP Credentials is selected.
User-Initiated E-mail* None Use Device SMTP Credentials Use Session User ID & Password Use Session E-mail address & Password Prompt User	
Device Userid	
Device Password	
Kerberos 5 Realm	
NTLM Domain	
* This menu appears only in touch-screen printer models.	

Security menu

Miscellaneous Security Settings menu

Use	To
Login Restriction Login failures 1–10 Failure time frame 1–60 Lockout time 1–60 Panel Login Timeout 1–900 Remote Login Timeout 1–120	Limit the number and time frames of failed login attempts from the printer control panel before <i>all</i> users are locked out. Notes: <ul style="list-style-type: none"> • “Login failures” specifies the number of failed login attempts before users are locked out. 3 is the factory default setting. • “Failure time frame” specifies the time frame in minutes when failed login attempts can be made before users are locked out. 5 is the factory default setting. • “Lockout time” specifies how many minutes users are locked out after exceeding the login failures limit. 5 is the factory default setting. • Panel Login Timeout specifies how many minutes the printer remains idle on the home screen before automatically logging the user off. 30 seconds is the factory default setting. • Remote Login Timeout specifies how many minutes a remote interface (for example, a Web page) can remain idle before automatically logging the user off. 10 is the factory default setting.

Confidential Print menu

Use	To
Max Invalid PIN Off 2–10	Limit the number of times an invalid PIN can be entered. Notes: <ul style="list-style-type: none"> • This menu appears only when a formatted, non-defective printer hard disk is installed. • Once the limit is reached, the print jobs for that user name and PIN are deleted.
Confidential Job Expiration Off 1 hour 4 hours 24 hours 1 week	Limit the amount of time a confidential print job stays in the printer before it is deleted. Notes: <ul style="list-style-type: none"> • If the “Confidential Job Expiration” setting is changed while confidential print jobs reside in the printer RAM or printer hard disk, then the expiration time for those print jobs does not change to the new default value. • If the printer is turned off, then all confidential jobs held in the printer RAM are deleted.
Repeat Job Expiration Off 1 hour 4 hours 24 hours 1 week	Set a time limit on how long the printer stores print jobs.
Verify Job Expiration Off 1 hour 4 hours 24 hours 1 week	Set a time limit on how long the printer stores print jobs needing verification.
Reserve Job Expiration Off 1 hour 4 hours 24 hours 1 week	Set a time limit on how long the printer stores print jobs for printing at a later time.
Note: Off is the factory default setting.	

Erase Temporary Data Files menu

Erase Temporary Data Files deletes *only* print job data on the printer hard disk that *are not* currently in use by the file system. All permanent data on the hard disk are preserved, such as downloaded fonts, macros, and held jobs.

Note: This menu appears only when a formatted, working hard disk is installed.

Use	To
Wiping Mode Off Auto Manual	Specify the mode for erasing temporary data files. Note: Auto is the factory default setting.
Automatic Method Single pass Multi-pass	Specify a method for automatic disk wiping. Notes: <ul style="list-style-type: none"> • Single pass is the factory default setting. • Highly confidential information should be erased using <i>only</i> the Multiple pass method.
Manual Method Single pass Multi-pass	Specify a method for manual disk wiping. Note: Single pass is the factory default setting.
Scheduled Method Single pass Multi-pass	Specify a method for a scheduled disk wiping. Note: Single pass is the factory default setting.

Security Audit Log menu

Use	To
Export Log	Enable an authorized user to export the audit log. Notes: <ul style="list-style-type: none"> • To export the audit log from the printer control panel, attach a flash drive into the printer. • From the Embedded Web Server, download the audit log into a computer.
Delete Log Yes No	Specify whether audit logs are deleted. Note: Yes is the factory default setting.
Configure Log Enable Audit Yes No Enable Remote Syslog No Yes Remote Syslog Facility 0–23 Severity of events to log 0–7	Specify whether and how audit logs are created. Notes: <ul style="list-style-type: none"> • Enable Audit determines if events are recorded in the secure audit log and remote syslog. Yes is the factory default setting. • Enable Remote Syslog determines if logs are sent to a remote server. No is the factory default setting. • Remote Syslog Facility determines the value used to send logs to the remote syslog server. 4 is the factory default setting. • Severity of events to log records the severity value of each event. 4 is the factory default setting.

Set Date and Time menu

Use	To
Current Date and Time	Show the current date and time settings for the printer.
Manually Set Date and Time [input date/time]	Enter the date and time. Notes: <ul style="list-style-type: none"> • For touch-screen printer models, date and time are set in YYYY-MM-DD HH:MM format. • Manually setting the date and time sets Enable NTP to No. • For non-touch-screen printer models, a wizard allows you to set the date and time in YYYY-MM-DD-HH:MM.
Time Zone [list of time zones]	Select the time zone. Note: GMT is the factory default setting.
Automatically observe DST On Off	Set the printer to use the applicable daylight saving time (DST) start and end times associated with the printer Time Zone setting. Note: On is the factory default setting.
Enable NTP On Off	Enable Network Time Protocol, which synchronizes the clocks of devices on a network. Notes: <ul style="list-style-type: none"> • On is the factory default setting. • The setting is turned off if you manually set the date and time.

Settings menu

General Settings menu

Use	To
<p>Display Language</p> <ul style="list-style-type: none"> English Francais Deutsch Italiano Espanol Dansk Norsk Nederlands Svenska Portugues Suomi Russian Polski Greek Magyar Turkce Cesky Simplified Chinese Traditional Chinese Korean Japanese 	<p>Set the language of the text appearing on the display.</p> <p>Note: Not all languages are available for all models. You may need to install a special hardware for some languages.</p>
<p>Eco-Mode</p> <ul style="list-style-type: none"> Off Energy Energy/Paper Paper 	<p>Minimize the use of energy, paper, or specialty media.</p> <p>Notes:</p> <ul style="list-style-type: none"> • For touch-screen printer models, touch Eco-Mode, and then select from the options. • Off is the factory default setting. This resets the printer to its factory default settings. • Energy minimizes the power used by the printer. Performance may be affected, but print quality is not. • Energy/Paper minimizes the use of power, paper, and specialty media. • Paper minimizes the amount of paper and specialty media needed for a print job. Performance may be affected, but print quality is not.
<p>¹ This menu appears only in non-touch-screen printer models.</p> <p>² This menu appears only in touch-screen printer models.</p>	

Use	To
Quiet Mode Off On	Minimize the printer noise. Notes: <ul style="list-style-type: none"> For touch-screen printer models, touch Quiet Mode, and then select from the options. Off is the factory default setting. This setting supports the performance specifications of your printer and allows for optimal printing of color-rich documents. On configures the printer to produce as little noise as possible.
Run Initial setup Yes No	Run the setup wizard. Note: Yes is the factory default setting.
Keyboard² Keyboard Type English Francais Francais Canadien Deutsch Italiano Espanol Greek Dansk Norsk Nederlands Svenska Suomi Portuguese Russian Polski Swiss German Swiss French Korean Magyar Turkce Cesky Simplified Chinese Traditional Chinese Japanese Custom Key 1	Specify a language and custom key information for the display keyboard.
¹ This menu appears only in non-touch-screen printer models. ² This menu appears only in touch-screen printer models.	

Use	To
<p>Paper Sizes</p> <ul style="list-style-type: none"> U.S. Metric 	<p>Specify the unit of measurement for paper sizes.</p> <p>Notes:</p> <ul style="list-style-type: none"> • U.S. is the factory default setting. • The initial setting is determined by your country or region selection in the initial setup wizard.
<p>Displayed Information²</p> <ul style="list-style-type: none"> Left side Right side Custom Text [x] [x] Toner Fuser Transfer Module 	<p>Specify what is displayed on the upper corners of the home screen.</p> <p>For Left side and Right side, select from the following options:</p> <ul style="list-style-type: none"> None IP Address Hostname Contact Name Location Date/Time mDNS/DDNS Service Name Zero Configuration Name Custom Text [x] Model Name <p>For the [x] Toner, [x] Fuser, and Transfer Module menus, select from the following options:</p> <ul style="list-style-type: none"> When to display <ul style="list-style-type: none"> Do not display Display Message to Display <ul style="list-style-type: none"> Default Alternate Default <ul style="list-style-type: none"> [text entry] Alternate <ul style="list-style-type: none"> [text entry] <p>Notes:</p> <ul style="list-style-type: none"> • IP Address is the factory default setting for Left side. • Date/Time is the factory default setting for Right side. • Do not display is the factory default setting for When to display. • Default is the factory default setting for Message to Display.

¹ This menu appears only in non-touch-screen printer models.

² This menu appears only in touch-screen printer models.

Use	To
<p>Displayed Information²</p> <ul style="list-style-type: none"> Waste Toner Bottle Paper Jam Load Paper Service Errors 	<p>Customize the displayed information for supplies.</p> <p>Select from the following options:</p> <ul style="list-style-type: none"> Display No Yes Message to Display Default Alternate Default [text entry] Alternate [text entry] <p>Notes:</p> <ul style="list-style-type: none"> • No is the factory default setting for Display. • Default is the factory default setting for Message to Display.
<p>Home screen customization</p> <ul style="list-style-type: none"> Change Language Search Held Jobs Held Jobs USB Drive Profiles and Solutions² Bookmarks Jobs by user Forms and Favorites² Eco-Settings² Showroom² Change Background² 	<p>Change the icons that appear on the home screen.</p> <p>For each icon, select from the following options:</p> <ul style="list-style-type: none"> Display Do Not Display
<p>Date Format²</p> <ul style="list-style-type: none"> [MM-DD-YYYY] [DD-MM-YYYY] [YYYY-MM-DD] 	<p>Format the date.</p> <p>Note: [MM-DD-YYYY] is the U.S. factory default setting. [DD-MM-YYYY] is the international factory default setting.</p>
<p>Time Format²</p> <ul style="list-style-type: none"> 12 hour A.M./P.M. 24 hour clock 	<p>Format for the time.</p> <p>Note: 12 hour A.M./P.M. is the factory default setting.</p>
<p>Screen Brightness²</p> <ul style="list-style-type: none"> 20–100 	<p>Specify the brightness of the display.</p> <p>Note: 100 is the factory default setting.</p>
<p>¹ This menu appears only in non-touch-screen printer models.</p> <p>² This menu appears only in touch-screen printer models.</p>	

Use	To
Audio Feedback² Button Feedback On Off Volume 1–10	Set the audio volume for the buttons. Notes: <ul style="list-style-type: none"> • On is the factory default setting for Button Feedback. • 5 is the factory default setting for Volume.
Show Bookmarks² Yes No	Specify whether bookmarks are displayed from the Held Jobs area. Note: Yes is the factory default setting.
Web Page Refresh Rate² 30–300	Specify the number of seconds between Embedded Web Server refreshes. Note: 120 is the factory default setting.
Contact Name²	Specify a contact name. Note: The contact name is stored on the Embedded Web Server.
Location²	Specify the location. Note: The location will be stored on the Embedded Web Server.
Alarms Alarm Control Cartridge Alarm	Set an alarm when the printer requires user intervention. For each alarm type, select from the following options: Off Single Continuous Notes: <ul style="list-style-type: none"> • For touch-screen printer models, touch Cartridge Alarm, and then select from the options. • Single is the factory default setting. This sounds several quick beeps. • Continuous repeats several quick beeps in a regular interval.
Timeouts Standby Mode ² Disabled 1–240	Set the amount of time in minutes before the printer enters a lower power state. Note: 15 minutes is the factory default setting.
¹ This menu appears only in non-touch-screen printer models. ² This menu appears only in touch-screen printer models.	

Use	To
<p>Timeouts</p> <p>Sleep Mode</p> <p>Disabled</p> <p>1–180</p>	<p>Set the amount of time the printer waits after a job is printed before it goes into a reduced power state.</p> <p>Notes:</p> <ul style="list-style-type: none"> • 20 minutes is the factory default setting. • Lower settings conserve more energy, but may require longer warm-up times. • Select the lowest setting if the printer shares an electrical circuit with room lighting. • Select a high setting if the printer is in constant use. Under most circumstances, this keeps the printer ready to print with minimum warm-up time. • Disabled appears only if Energy Conserve is set to Off.
<p>Timeouts</p> <p>Hibernate Timeout</p> <p>Disabled</p> <p>1–3 hours</p> <p>6 hours</p> <p>1–3 days</p> <p>1–2 weeks</p> <p>1 month</p>	<p>Set the amount of time before the printer enters Hibernate mode.</p> <p>Note: 3 days is the factory default setting.</p>
<p>Timeouts</p> <p>Screen Timeout</p> <p>15–300</p>	<p>Set the amount of time in seconds the printer waits before returning the display to a Ready state.</p> <p>Note: 30 is the factory default setting.</p>
<p>Timeouts</p> <p>Print Timeout</p> <p>Disabled</p> <p>1–255</p>	<p>Set the amount of time in seconds the printer waits to receive an end-of-job message before canceling the rest of the job.</p> <p>Notes:</p> <ul style="list-style-type: none"> • 90 is the factory default setting. • When the timer expires, any partially printed page still in the printer is printed. • Print Timeout is available only when using PCL emulation.
<p>Timeouts</p> <p>Wait Timeout</p> <p>Disabled</p> <p>15–65535</p>	<p>Set the amount of time in seconds the printer waits for additional data before canceling a print job.</p> <p>Notes:</p> <ul style="list-style-type: none"> • 40 is the factory default setting. • Wait Timeout is available only when the printer is using PostScript emulation.
<p>¹ This menu appears only in non-touch-screen printer models.</p> <p>² This menu appears only in touch-screen printer models.</p>	

Use	To
Timeouts Job Hold Timeout 5–255	Set the amount of time in seconds the printer waits for user intervention before it holds jobs that require unavailable resources and continues to print other jobs in the print queue. Notes: <ul style="list-style-type: none"> • 30 is the factory default setting. • This menu appears only when a printer hard disk is installed.
Print Recovery Auto Continue Disabled 5–255	Automatically continue printing from certain offline situations when not resolved within the specified time period. Note: Disabled is the factory default setting.
Print Recovery Jam Recovery On Off Auto	Specify whether the printer reprints jammed pages. Notes: <ul style="list-style-type: none"> • Auto is the factory default setting. The printer reprints jammed pages unless the memory required to hold the pages is needed for other printer tasks. • On sets the printer to always reprint jammed pages. • Off sets the printer to never reprint jammed pages.
Print Recovery Page Protect Off On	Successfully print a page that may not have printed otherwise. Notes: <ul style="list-style-type: none"> • Off is the factory default setting. Off prints a partial page when there is not enough memory to print the whole page. • On sets the printer to print the entire page.
Press Sleep Button Do Nothing Sleep Hibernate	Determine how the printer, while in idle state, reacts to a short press of the Sleep button. Note: Sleep is the factory default setting.
Press and Hold Sleep Button Do Nothing Sleep Hibernate	Determine how the printer, while in idle state, reacts to a long press of the Sleep button. Note: Do Nothing is the factory default setting.
Factory Defaults Do Not Restore Restore Now	Use the printer factory default settings. Notes: <ul style="list-style-type: none"> • Do Not Restore is the factory default setting. This keeps the user-defined settings. • Restore Now returns all printer settings to the factory default settings except Network/Ports menu settings. All downloads stored in the RAM are deleted. Downloads stored in flash memory or in a hard disk are not affected.

¹ This menu appears only in non-touch-screen printer models.

² This menu appears only in touch-screen printer models.

Flash Drive menu

Note: This menu appears only in touch-screen printer models.

Use	To
Copies 1–999	Specify a default number of copies for each print job. Note: 1 is the factory default setting.
Paper Source Tray [x] MP Feeder Manual Paper Manual Envelope	Set a default paper source for all print jobs. Note: Tray 1 (standard tray) is the factory default setting.
Color Color Black Only	Generate color outputs. Note: Color is the factory default setting.
Collate Off (1,1,1,2,2,2) On (1,2,1,2,1,2)	Stack the pages of a print job in sequence when printing multiple copies. Note: On is the factory default setting.
Sides (Duplex) 1 sided 2 sided	Specify whether prints are on one side or on both sides of the paper. Note: 1 sided is the factory default setting.
Duplex Binding Long Edge Short Edge	Define binding for duplexed pages in relation to paper orientation. Notes: <ul style="list-style-type: none"> • Long Edge is the factory default setting. Long Edge assumes binding along the long edge of the page (left edge for portrait and top edge for landscape). • Short Edge assumes binding along the short edge of the page (top edge for portrait and left edge for landscape).
Paper Saver Orientation Auto Landscape Portrait	Specify the orientation of a multiple-page document. Note: Auto is the factory default setting. The printer chooses between portrait and landscape.
Paper Saver Off 2-Up 3-Up 4-Up 6-Up 9-Up 12-Up 16-Up	Specify that multiple-page images be printed on one side of a paper. Notes: <ul style="list-style-type: none"> • Off is the factory default setting. • The number selected is the number of page images that will print per side.
Paper Saver Border None Solid	Print a border on each page image. Note: None is the factory default setting.

Use	To
Paper Saver Ordering Horizontal Reverse Horizontal Reverse Vertical Vertical	Specify the positioning of multiple-page images. Notes: <ul style="list-style-type: none"> • Horizontal is the factory default setting. • Positioning depends on the number of page images and whether they are in portrait or landscape orientation.
Separator Sheets Off Between Copies Between Jobs Between Pages	Specify whether blank separator sheets are inserted. Notes: <ul style="list-style-type: none"> • Off is the factory default setting. No separator sheets are included in the print job. • Between Copies inserts a blank sheet between each copy of a print job if Collation is set to On. If Collation is set to Off, then a blank page is inserted between each set of printed pages, such as after all page 1's and after all page 2's. • Between Jobs inserts a blank sheet between print jobs. • Between Pages inserts a blank sheet between each page of the print job. This setting is useful when printing transparencies or inserting blank pages in a document for notes.
Separator Sheet Source Tray [x] Manual Feeder	Specify the paper source for separator sheets. Notes: <ul style="list-style-type: none"> • Tray 1 (standard tray) is the factory default setting. • From the Paper menu, Configure MP must be set to Cassette in order for Manual Feeder to appear as a menu setting.
Blank Pages Do Not Print Print	Specify whether blank pages are inserted in a print job. Note: Do Not Print is the factory default setting.

Setup menu

Use	To
Printer Language PS Emulation PCL Emulation	Set the default printer language. Notes: <ul style="list-style-type: none"> • PS Emulation is the factory default printer language. PS emulation uses a PS interpreter for processing print jobs. • PCL Emulation uses a PCL interpreter for processing print jobs. • Setting a printer language as the default does not prevent a software program from sending print jobs that use another printer language.

Use	To
Job Waiting On Off	Specify if print jobs are removed from the print queue when they require unavailable printer options or custom settings. These print jobs are stored in a separate print queue, so other jobs print normally. When the missing information or options are obtained, the stored jobs print. Notes: <ul style="list-style-type: none"> • Off is the factory default setting. • This menu item appears only when a non-read-only printer hard disk is installed. This requirement ensures that stored jobs are not deleted if the printer loses power.
Print Area Normal Whole Page	Set the logical and physical printable area. Notes: <ul style="list-style-type: none"> • Normal is the factory default setting. When attempting to print data in the non-printable area defined by the Normal setting, the printer clips the image at the boundary. • Whole Page allows images to be moved into the non-printable area defined by the Normal setting, but the printer clips the image at the Normal setting boundary. This setting affects only pages printed using a PCL 5e interpreter. This setting has no effect on pages printed using the PCL XL or PostScript interpreter.
Printer Usage Max Yield Max Speed	Set the printer for a faster print speed or a higher toner yield. Note: Max Yield is the factory default setting.
Black Only Mode On Off	Set the printer to print text and graphics using only the black toner cartridge. Note: Off is the factory default setting.
Download Target RAM Flash Disk	Set the storage location for downloads. Notes: <ul style="list-style-type: none"> • RAM is the factory default setting. Downloads stored in RAM are temporary. • Storing downloads in flash memory or on a printer hard disk places them in permanent storage. Downloads remain in flash memory or on the printer hard disk even when the printer is turned off. • This menu item appears only when a flash or printer hard disk is installed. • The menu setting reverts to its factory default value after each power-on reset (POR).

Use	To
Resource Save On Off	Specify how the printer handles temporary downloads, such as fonts and macros stored in the RAM, when the printer receives a print job that requires more memory than is available. Notes: <ul style="list-style-type: none"> • Off is the factory default setting. Off sets the printer to retain downloads only until memory is needed. Downloads are deleted in order to process print jobs. • On sets the printer to retain downloads during language changes and printer resets. If the printer runs out of memory, 38 Memory Full appears, but downloads are not deleted.
Print All Order Alphabetical Oldest First Newest First	Specify the order in which held and confidential jobs are printed when Print All Order is selected. Notes: <ul style="list-style-type: none"> • Alphabetical is the factory default setting. • Print jobs always appear in alphabetical order on the printer control panel.

Finishing menu

Use	To
Sides (Duplex) 1 sided 2 sided	Specify whether two-sided (duplex) printing is set as the default for all print jobs. Notes: <ul style="list-style-type: none"> • 1 sided is the factory default setting. • When two-sided printing is selected and the media is not the same on both sides, the media must be loaded in the trays in a different orientation. • When two-sided printing is selected and the media is not the same on both sides, the media must be loaded in the trays in a different orientation. • You can set two-sided printing in the software program. For Windows users, click File > Print, and then click Properties, Preferences, Options, or Setup. For Macintosh users, choose File > Print, and then adjust the settings from the print dialog and pop-up menus.
Duplex Binding Long Edge Short Edge	Define binding for duplexed pages in relation to paper orientation. Notes: <ul style="list-style-type: none"> • Long Edge is the factory default setting. Long Edge assumes binding along the long edge of the page (left edge for portrait and top edge for landscape). • Short Edge assumes binding along the short edge of the page (top edge for portrait and left edge for landscape).
Copies 1–999	Specify the default number of copies for each print job. Note: 1 is the factory default setting.

Use	To
Blank Pages Do Not Print Print	Specify whether blank pages are inserted in a print job. Note: Do Not Print is the factory default setting.
Collate Off (1,1,1,2,2,2) On (1,2,1,2,1,2)	Stack the pages of a print job in sequence when printing multiple copies. Notes: <ul style="list-style-type: none"> • Off is the factory default setting. • On stacks the print job in sequence.
Separator Sheets Off Between Copies Between Jobs Between Pages	Specify whether blank separator sheets are inserted. Notes: <ul style="list-style-type: none"> • Off is the factory default setting. • Between Copies inserts a blank sheet between each copy of a print job if Collate is set to On. If Collate is set to Off, then a blank page is inserted between each set of printed pages, such as after all page 1's and after all page 2's. • Between Jobs inserts a blank sheet between print jobs. • Between Pages inserts a blank sheet between each page of a print job. This setting is useful when printing transparencies or when inserting blank pages in a document.
Separator Source Tray [x] Manual Feeder	Specify the paper source for separator sheets. Note: Tray 1 (standard tray) is the factory default setting.
Paper Saver Off 2-Up 3-Up 4-Up 6-Up 9-Up 12-Up 16-Up	Specify that multiple-page images be printed on one side of a paper. Notes: <ul style="list-style-type: none"> • Off is the factory default setting. • The number selected is the number of page images that prints per side.
Paper Saver Ordering Horizontal Reverse Horizontal Reverse Vertical Vertical	Specify the positioning of multiple-page images. Notes: <ul style="list-style-type: none"> • Horizontal is the factory default setting. • Positioning depends on the number of page images and whether they are in portrait or landscape orientation.
Paper Saver Orientation Auto Landscape Portrait	Specify the orientation of a multiple-page document. Note: Auto is the factory default setting. The printer chooses between portrait and landscape.

Use	To
Paper Saver Border None Solid	Print a border on each page image. Note: None is the factory default setting.

Quality menu

Use	To
Print Mode Color Black Only	Specify whether images are printed in black and white or in color. Notes: <ul style="list-style-type: none"> • Color is the factory default setting. • The printer driver is capable of overriding this setting.
Color Correction Auto Off Manual	Adjust the color output on the printed page. Notes: <ul style="list-style-type: none"> • Auto is the factory default setting. Auto applies different color conversion tables to each object on the printed page. • Off turns off color correction. • Manual allows customization of the color tables using the settings available in the Manual Color menu. • Due to the differences in additive and subtractive colors, certain colors that appear on computer monitors are impossible to duplicate on the printed page.
Print Resolution 1200 dpi 4800 CQ	Specify the printed output resolution in dots per inch or color quality (CQ). Note: 4800 CQ is the factory default setting.
Toner Darkness 1–5	Lighten or darken the printed output. Notes: <ul style="list-style-type: none"> • 4 is the factory default setting. • Selecting a smaller number can help conserve toner. • If Print Mode is set to Black Only, then a setting of 5 increases toner density and darkness to all print jobs. • If Print Mode is set to Color, then a setting of 5 is the same as a setting of 4.
Enhance Fine Lines On Off	Enable a print mode preferable for files such as architectural drawings, maps, electrical circuit diagrams, and flow charts. Notes: <ul style="list-style-type: none"> • Off is the factory default setting. • To set Enhance Fine Lines from the software program, with a document open, click File > Print, and then click Properties, Preferences, Options, or Setup. • To set Enhance Fine Lines using the Embedded Web Server, type the printer IP address in a Web browser.

Use	To
Color Saver On Off	Reduce the amount of toner used for graphics and images. The amount of toner used for text is not reduced. Notes: <ul style="list-style-type: none"> • Off is the factory default setting. • On overrides Toner Darkness settings.
RGB Brightness -6 to 6	Adjust brightness in color outputs. Notes: <ul style="list-style-type: none"> • 0 is the factory default setting. • This does not affect files where CMYK color specifications are being used.
RGB Contrast 0–5	Adjust contrast in color outputs. Notes: <ul style="list-style-type: none"> • 0 is the factory default setting. • This does not affect files where CMYK color specifications are being used.
RGB Saturation 0–5	Adjust saturation in color outputs. Notes: <ul style="list-style-type: none"> • 0 is the factory default setting. • This does not affect files where CMYK color specifications are being used.
Color Balance Cyan -5 to 5 Magenta -5 to 5 Yellow -5 to 5 Black -5 to 5 Reset Defaults	Adjust color in printed output by increasing or decreasing the amount of toner used for each color. Note: 0 is the factory default setting.
Color Samples sRGB Display sRGB Vivid Display—True Black Vivid Off—RGB US CMYK Euro CMYK Vivid CMYK Off—CMYK	Print sample pages for each of the RGB and CMYK color conversion tables used in the printer. Notes: <ul style="list-style-type: none"> • Selecting any setting prints the sample. • Color samples consist of a series of colored boxes along with the RGB or CMYK combination that creates the color observed. These pages can be used to help decide which combinations to use to get the desired printed output. • From a browser window, type the IP address of the printer to access a complete list of color sample pages from the Embedded Web Server.

Use	To
<p>Manual Color</p> <ul style="list-style-type: none"> RGB Image <ul style="list-style-type: none"> Vivid sRGB Display Display True Black sRGB Vivid Off RGB Text <ul style="list-style-type: none"> Vivid sRGB Display Display True Black sRGB Vivid Off RGB Graphics <ul style="list-style-type: none"> Vivid sRGB Display Display True Black sRGB Vivid Off 	<p>Customize the RGB color conversions.</p> <p>Notes:</p> <ul style="list-style-type: none"> • sRGB Display is the factory default setting for RGB Image. This applies a color conversion table to an output that matches the colors displayed on a computer monitor. • sRGB Vivid is the factory default setting for RGB Text and RGB Graphics. sRGB Vivid applies a color table that increases saturation. This is preferred for business graphics and text. • Vivid applies a color conversion table that produces brighter, more saturated colors. • Display True Black applies a color conversion table that uses only black toner for neutral gray colors. • Off turns off color conversion.
<p>Manual Color</p> <ul style="list-style-type: none"> CMYK Image <ul style="list-style-type: none"> US CMYK Euro CMYK Vivid CMYK Off CMYK Text <ul style="list-style-type: none"> US CMYK Euro CMYK Vivid CMYK Off CMYK Graphics <ul style="list-style-type: none"> US CMYK Euro CMYK Vivid CMYK Off 	<p>Customize the CMYK color conversions.</p> <p>Notes:</p> <ul style="list-style-type: none"> • US CMYK is the US factory default setting. US CMYK applies a color conversion table that tries to produce output that matches SWOP color output. • Euro CMYK is the international factory default setting. Euro CMYK applies a color conversion table that tries to produce output that matches EuroScale color output. • Vivid CMYK increases color saturation for the US CMYK color conversion table. • Off turns off color conversion.
<p>Spot Color Replacement</p>	<p>Provide the capability to assign specific CMYK values to named spot colors.</p>
<p>Color Adjust</p>	<p>Initiate a recalibration of color conversion tables and to allow the printer to make adjustments for color variations in output.</p> <p>Notes:</p> <ul style="list-style-type: none"> • Calibrating starts when the menu is selected. Calibrating appears on the display until the process is finished. • Color variations in output sometimes result from changeable conditions such as room temperature and humidity. Color adjustments are made on printer algorithms. Color alignment is also recalibrated in this process.

Job Accounting menu

Note: This menu item appears only when a formatted, non-defective printer hard disk is installed. Make sure the printer hard disk is not read/write- or write-protected.

Use	To
Job Accounting Log Off On	Determine and set if the printer creates a log of the print jobs it receives. Note: Off is the factory default setting.
Job Accounting Utilities	Print and delete log files or export them to a flash drive.
Accounting Log Frequency Weekly Monthly	Determine and set how often a log file is created. Note: Monthly is the factory default setting.
Log Action at End of Frequency None E-mail Current Log E-mail & Delete Current Log Post Current Log Post & Delete Current Log	Determine and set how the printer responds when the frequency threshold expires. Note: None is the factory default setting.
Disk Near Full Level Off 1–99	Specify the maximum size of the log file before the printer executes the Disk Near Full Action. Note: 5 is the factory default setting.
Disk Near Full Action None E-mail Current Log E-mail & Delete Current Log E-mail & Delete Oldest Log Post Current Log Post & Delete Current Log Post & Delete Oldest Log Delete Current Log Delete Oldest Log Delete All Logs Delete All But Current	Determine and set how the printer responds when the printer hard disk is nearly full. Notes: <ul style="list-style-type: none"> • None is the factory default setting. • The value defined in Disk Near Full Level determines when this action is triggered.
Disk Full Action None E-mail & Delete Current Log E-mail & Delete Oldest Log Post & Delete Current Log Post & Delete Oldest Log Delete Current Log Delete Oldest Log Delete All Logs Delete All But Current	Determine and set how the printer responds when disk usage reaches the maximum limit (100MB). Note: None is the factory default setting.
URL to Post Logs	Determine and set where the printer posts job accounting logs.

Use	To
E-mail Address to Send Logs	Specify the e-mail address to which the device sends job accounting logs.
Log File Prefix	Specify the prefix you want for the log file name. Note: The current host name defined in the TCP/IP menu is used as the default log file prefix.

Utilities menu

Use	To
Remove Held Jobs Confidential Held Not Restored All	Delete confidential and held jobs from the printer hard disk. Notes: <ul style="list-style-type: none"> • Selecting a setting affects only print jobs that are resident in the printer. Bookmarks, print jobs on flash drives, and other types of held jobs are not affected. • Not Restored removes all Print and Hold jobs that are <i>not</i> restored from the printer hard disk or memory.
Format Flash Yes No	Format the flash memory. Warning—Potential Damage: Do not turn off the printer while the flash memory is being formatted. Notes: <ul style="list-style-type: none"> • Yes deletes all data stored in flash memory. • No cancels the format request. • Flash memory refers to the memory added by installing a flash memory card in the printer. • The flash memory option card must not be read/write- or write-protected. • This menu item appears only when a non-defective flash memory card is installed.
Delete Downloads on Disk Delete Now Do Not Delete	Delete downloads from the printer hard disk, including all held jobs, buffered jobs, and parked jobs. Notes: <ul style="list-style-type: none"> • Delete Now sets the printer to delete the downloads and allows the display to return to the originating screen after the deletion. • Do Not Delete sets the printer display to return to the main Utilities menu for touch-screen printer models. When selected in non-touch-screen printer models, Do Not Delete sets the printer to return to the originating screen after the deletion.
Activate Hex Trace	Assist in isolating the source of a print job problem. Notes: <ul style="list-style-type: none"> • When activated, all data sent to the printer is printed in hexadecimal and character representation, and control codes are not executed. • To exit or deactivate Hex Trace, turn off or reset the printer.

Use	To
Coverage Estimator Off On	Provide an estimate of the percentage coverage of toner on a page. The estimate is printed on a separate page at the end of each print job. Note: Off is the factory default setting.

XPS menu

Use	To
Print Error Pages Off On	Print a page containing information on errors, including XML markup errors. Note: Off is the factory default setting.

PDF menu

Use	To
Scale to Fit Yes No	Scale page content to fit the selected paper size. Note: No is the factory default setting.
Annotations Do Not Print Print	Print annotations in a PDF. Note: Do Not Print is the factory default setting.

PostScript menu

Use	To
Print PS Error On Off	Print a page containing the PostScript error. Note: Off is the factory default setting.
Lock PS Startup Mode On Off	Enable users to disable the SysStart file. Note: Off is the factory default setting.
Font Priority Resident Flash/Disk	Establish the font search order. Notes: <ul style="list-style-type: none"> • Resident is the factory default setting. • This menu item appears only when a formatted, non-defective flash memory option card or printer hard disk is installed. • Make sure the flash memory option or printer hard disk is not read/write-, write-, or password-protected. • Job Buffer Size must not be set to 100%.

Use	To
Image Smoothing On Off	Enhance the contrast and sharpness of low-resolution images and smoothen their color transitions. Notes: <ul style="list-style-type: none"> • Off is the factory default setting. • Image Smoothing has no effect on images that are 300 dpi or higher in resolution.

PCL Emul menu

Use	To
Font Source Resident Disk Download Flash All	Specify the set of fonts used in the Font Name menu. Notes: <ul style="list-style-type: none"> • Resident is the factory default setting. It shows the factory default set of fonts downloaded in the RAM. • Flash and Disk settings show all fonts resident in that option. Make sure the flash option is properly formatted and is not read/write-, or password-protected. • Download shows all the fonts downloaded in the RAM. • All shows all fonts available to any option.
Font Name Courier 10	Identify a specific font and where it is stored. Note: Courier 10 is the factory default setting.
Symbol Set 10U PC-8 12U PC-850	Specify the symbol set for each font name. Notes: <ul style="list-style-type: none"> • 10U PC-8 is the US factory default setting. 12U PC-850 is the international factory default setting. • A symbol set is a set of alphabetical and numeric characters, punctuation, and special symbols. Symbol sets support the different languages or specific programs such as math symbols for scientific text. Only the supported symbol sets are shown.
PCL Emulation Settings Point Size 1.00–1008.00	Change the point size for scalable typographic fonts. Notes: <ul style="list-style-type: none"> • 12 is the factory default setting. • Point size refers to the height of the characters in the font. One point equals approximately 0.014 of an inch. This can be increased or decreased in 0.25-point increments.

Use	To
PCL Emulation Settings Pitch 0.08–100.00	Specify the font pitch for scalable monospaced fonts. Notes: <ul style="list-style-type: none"> • 10 is the factory default setting. • Pitch refers to the number of fixed-space characters per inch (dpi). This can be increased or decreased in 0.01-dpi increments. • For non-scalable monospaced fonts, the pitch appears on the display but cannot be changed.
PCL Emulation Settings Orientation Portrait Landscape	Specify the orientation of text and graphics on a page. Notes: <ul style="list-style-type: none"> • Portrait is the factory default setting. It prints text and graphics parallel to the short edge of the page. • Landscape prints text and graphics parallel to the long edge of the page.
PCL Emulation Settings Lines per Page 1–255	Specify the number of lines that print on each page. Notes: <ul style="list-style-type: none"> • 60 is the US factory default setting. 64 is the international default setting. • The printer sets the amount of space between each line based on the Lines per Page, Paper Size, and Orientation settings. Select the paper size and orientation before setting Lines per Page.
PCL Emulation Settings A4 Width 198 mm 203 mm	Set the printer to print on A4-size paper. Notes: <ul style="list-style-type: none"> • 198 mm is the factory default setting. • The 203-mm setting sets the width of the page to allow the printing of eighty 10-pitch characters.
PCL Emulation Settings Auto CR after LF On Off	Specify whether the printer automatically performs a carriage return (CR) after a line feed (LF) control command. Note: Off is the factory default setting.
PCL Emulation Settings Auto LF after CR On Off	Specify whether the printer automatically performs a line feed (LF) after a carriage return (CR) control command. Note: Off is the factory default setting.

Use	To
<p>Tray Renumber</p> <p>Assign MP Feeder</p> <p>Off</p> <p>None</p> <p>0–199</p> <p>Assign Tray [x]</p> <p>Off</p> <p>None</p> <p>0–199</p> <p>Assign Manual Paper</p> <p>Off</p> <p>None</p> <p>0–199</p> <p>Assign Manual Envelope</p> <p>Off</p> <p>None</p> <p>0–199</p>	<p>Configure the printer to work with printer software or programs that use different source assignments for trays, drawers, and feeders.</p> <p>Notes:</p> <ul style="list-style-type: none"> • Off is the factory default setting. • None ignores the Select Paper Feed command. This selection appears only when it is selected by the PCL 5e interpreter. • 0–199 allows a custom setting to be assigned.
<p>Tray Renumber</p> <p>View Factory Defaults</p> <p>MPF Default = 8</p> <p>T1 Default = 1</p> <p>T2 Default = 4</p> <p>T3 Default = 5</p> <p>T4 Default = 20</p> <p>T5 Default = 21</p> <p>Env Default = 6</p> <p>MPaper Default = 2</p> <p>MEnv Default = 3</p>	<p>Display the factory default setting assigned to each tray, drawer, or feeder.</p>
<p>Tray Renumber</p> <p>Restore Defaults</p> <p>Yes</p> <p>No</p>	<p>Return all tray, drawer, and feeder assignments to the factory default settings.</p>

HTML menu

Use		To
Font Name Albertus MT Antique Olive Apple Chancery Arial MT Avant Garde Bodoni Bookman Chicago Clarendon Cooper Black Copperplate Coronet Courier Eurostile Garamond Geneva Gill Sans Goudy Helvetica Hoefler Text Intl CG Times Intl Courier Intl Univers	Joanna MT Letter Gothic Lubalin Graph Marigold MonaLisa Recut Monaco New CenturySbk New York Optima Oxford Palatino StempelGaramond Taffy Times TimesNewRoman Univers Zapf Chancery NewSansMTCS NewSansMTCT New SansMTJA NewSansMTKO	Set the default font for HTML documents. Note: The Times font is used in HTML documents that do not specify a font.

Use	To
Font Size 1–255 pt	Set the default font size for HTML documents. Notes: <ul style="list-style-type: none"> • 12 pt is the factory default setting. • Font size can be increased in 1-point increments.
Scale 1–400%	Scale the default font for HTML documents. Notes: <ul style="list-style-type: none"> • 100% is the factory default setting. • Scaling can be increased in 1% increments.
Orientation Portrait Landscape	Set the page orientation for HTML documents. Note: Portrait is the factory default setting.

Use	To
Margin Size 8–255 mm	Set the page margin for HTML documents. Notes: <ul style="list-style-type: none"> • 19 mm is the factory default setting. • Margin size can be increased in 1-mm increments.
Backgrounds Do Not Print Print	Specify whether to print backgrounds on HTML documents. Note: Print is the factory default setting.

Image menu

Use	To
Auto Fit On Off	Select the optimal paper size, scaling, and orientation. Note: On is the factory default setting. It overrides scaling and orientation settings for some images.
Invert On Off	Invert bitonal monochrome images. Notes: <ul style="list-style-type: none"> • Off is the factory default setting. • This setting does not apply to GIF or JPEG images.
Scaling Anchor Top Left Best Fit Anchor Center Fit Height/Width Fit Height Fit Width	Scale the image to fit the selected paper size. Notes: <ul style="list-style-type: none"> • Best Fit is the factory default setting. • When Auto Fit is set to On, Scaling is automatically set to Best Fit.
Orientation Portrait Landscape Reverse Portrait Reverse Landscape	Set the image orientation. Note: Portrait is the factory default setting.

Help menu

Menu item	Description
Print All Guides	Prints all the guides
Color Quality	Provides information about solving color quality issues
Print Quality	Provides information about solving print quality issues
Printing Guide	Provides information about loading paper and other specialty media
Media Guide	Provides a list of the paper sizes supported in trays and feeders

Menu item	Description
Print Defects Guide	Provides a template for determining the cause of repeating print quality defects, and lists settings that can be used to adjust print quality
Menu Map	Provides a list of the control panel menus and settings
Information Guide	Provides help in locating additional information
Connection Guide	Provides information about connecting the printer locally (USB) or to a network
Moving Guide	Provides instructions for safely moving the printer
Supplies Guide	Provides information about ordering supplies

Saving money and the environment

Lexmark is committed to environmental sustainability and is continually improving its printers to reduce their impact on the environment. We design with the environment in mind, engineer our packaging to reduce materials, and provide collection and recycling programs. For more information, see:

- The Notices chapter
- The Environmental Sustainability section of the Lexmark Web site at www.lexmark.com/environment
- The Lexmark recycling program at www.lexmark.com/recycle

By selecting certain printer settings or tasks, you may be able to reduce your printer's impact even further. This chapter outlines the settings and tasks that may yield a greater environmental benefit.

Adjusting the brightness of the printer display

To save energy, or if you have trouble reading the display, adjust its brightness settings.

Using the Embedded Web Server

- 1 Open a Web browser, and then type the printer IP address in the address field.

Notes:

- View the printer IP address in the TCP/IP section in the Network/Ports menu. The IP address appears as four sets of numbers separated by periods, such as 123.123.123.123.
- If you are using a proxy server, then temporarily disable it to load the Web page correctly.

- 2 Click **Settings > General Settings**.
- 3 In the Screen Brightness field, enter the brightness percentage you want for the display.
- 4 Click **Submit**.

Saving paper and toner

Studies show that as much as 80% of the carbon footprint of a printer is related to paper usage. You can significantly reduce your carbon footprint by using recycled paper and the following printing suggestions, such as printing on both sides of the paper and printing multiple pages on one side of a single sheet of paper.

Using recycled paper

As an environmentally conscious company, Lexmark supports the use of recycled office paper produced specifically for use in laser printers. For more information on recycled papers that work well with your printer, see [“Using recycled paper and other office papers” on page 113](#).

Conserving supplies

Use both sides of the paper

If your printer model supports two-sided printing, then you can control whether print appears on one or two sides of the paper.

Notes:

- Two-sided printing is the default setting in the print driver.
- For a complete list of supported products and countries, go to <http://support.lexmark.com>.

Place multiple pages on one sheet of paper

You can print up to 16 consecutive pages of a multiple-page document onto one side of a single sheet of paper by setting multiple page printing (N-Up) for the print job.

Check your first draft for accuracy

Before printing or making multiple copies of a document:

- Use the preview feature to see how the document looks like before you print it.
- Print one copy of the document to check its content and format for accuracy.

Avoid paper jams

Correctly set the paper type and size to avoid paper jams. For more information, see [“Avoiding jams” on page 188](#).

Recycling

Lexmark provides collection programs and environmentally progressive approaches to recycling. For more information, see:

- The Notices chapter
- The Environmental Sustainability section of the Lexmark Web site at www.lexmark.com/environment
- The Lexmark recycling program at www.lexmark.com/recycle

Recycling Lexmark products

To return Lexmark products for recycling:

- 1 Go to www.lexmark.com/recycle.
- 2 Find the product type you want to recycle, and then select your country or region from the list.
- 3 Follow the instructions on the computer screen.

Note: Printer supplies and hardware not listed in the Lexmark collection program may be recycled through your local recycling center. Contact your local recycling center to determine the items they accept.

Recycling Lexmark packaging

Lexmark continually strives to minimize packaging. Less packaging helps to ensure that Lexmark printers are transported in the most efficient and environmentally sensitive manner and that there is less packaging to dispose of. These efficiencies result in fewer greenhouse emissions, energy savings, and natural resource savings.

Lexmark cartons are 100% recyclable where corrugated recycling facilities exist. Facilities may not exist in your area.

The foam used in Lexmark packaging is recyclable where foam recycling facilities exist. Facilities may not exist in your area.

When you return a cartridge to Lexmark, you can reuse the box that the cartridge came in. Lexmark will recycle the box.

Returning Lexmark cartridges for reuse or recycling

Lexmark Cartridge Collection Program diverts millions of Lexmark cartridges from landfills annually by making it both easy and free for Lexmark customers to return used cartridges to Lexmark for reuse or recycling. One hundred percent of the empty cartridges returned to Lexmark are either reused or demanufactured for recycling. Boxes used to return the cartridges are also recycled.

To return Lexmark cartridges for reuse or recycling, follow the instructions that came with your printer or cartridge and use the prepaid shipping label. You can also do the following:

- 1 Go to www.lexmark.com/recycle.
- 2 From the Toner Cartridges section, select your country or region.
- 3 Follow the instructions on the computer screen.

Maintaining the printer

Warning—Potential Damage: Failure to maintain optimum printer performance, or to replace parts and supplies, may cause damage to your printer.

Ordering parts and supplies

To order parts and supplies in the U.S., contact Lexmark at 1-800-539-6275 for information about Lexmark authorized supplies dealers in your area. In other countries or regions, go to www.lexmark.com or contact the place where you purchased the printer.

Ordering a toner cartridge

When a message on the printer display indicates which toner cartridge needs to be replaced, order a new toner cartridge immediately.

For information on replacing a toner cartridge, see the instruction sheet that came with the supply.

Estimated cartridge yield is based on the ISO/IEC 19798 standard (with about 5% coverage per color). Extremely low print coverage (less than 1.25%) for extended periods of time may negatively affect actual yield for that color and may cause cartridge parts to fail prior to exhaustion of toner.

Part name	Lexmark Return Program Cartridge	Regular cartridge
Cyan Toner Cartridge	C746A1CG	C746A2CG
Cyan High Yield Toner Cartridge*	C748H1CG	C748H2CG
Magenta Toner Cartridge	C746A1MG	C746A2MG
Magenta High Yield Toner Cartridge*	C748H1MG	C748H2MG
Yellow Toner Cartridge	C746A1YG	C746A2YG
Yellow High Yield Toner Cartridge*	C748H1YG	C748H2YG
Black High Yield Toner Cartridge	C746H1KG	C746H2KG

* These toner cartridges are supported only in C748x printer models.

Ordering a photoconductor

A message will appear on the printer display when a photoconductor needs to be replaced.

For information on replacing a photoconductor, see the instruction sheet that came with the supply.

Part name	Part number
Photoconductor	C734X20G
Photoconductor, Multi-Pack	C734X24G

Notes:

- All four photoconductors should be replaced at the same time.
- Reset the maintenance counter back to zero after installing the four new photoconductors.

Ordering a fuser or a transfer module

A message on the printer display appears when the fuser or transfer module needs to be replaced.

For information on replacing the fuser or transfer module, see the instruction sheet that came with the supply.

Part name	Part number
Fuser	40X8112 (100 V) 40X8110 (115 V) 40X8111 (230 V)
Transfer module	40X8307

Ordering a waste toner bottle

A message on the printer display appears when the waste toner bottle needs to be replaced.

For information on replacing the waste toner bottle, see the instruction sheet that came with the supply.

Note: Waste toner bottle reuse is not recommended.

Part name	Part number
Waste toner bottle	C734X77G

Using genuine Lexmark parts and supplies

Lexmark printers, parts, and supplies are designed to perform together for superior print quality. We recommend that you use only genuine Lexmark parts and supplies to help extend the life of your product.

Lexmark's warranty does not cover damage caused by non-Lexmark parts and supplies.

Storing supplies

Choose a cool, clean storage area for the printer supplies. Store supplies right side up in their original packing until you are ready to use them.

Do not expose supplies to:

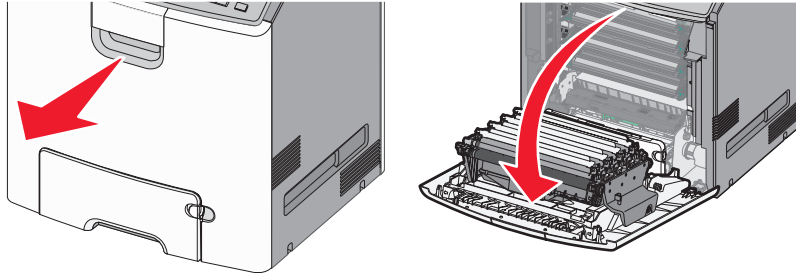
- Direct sunlight
- Temperatures above 35°C (95°F)
- High humidity above 80%
- Salty air
- Corrosive gases
- Heavy dust

Replacing parts and supplies

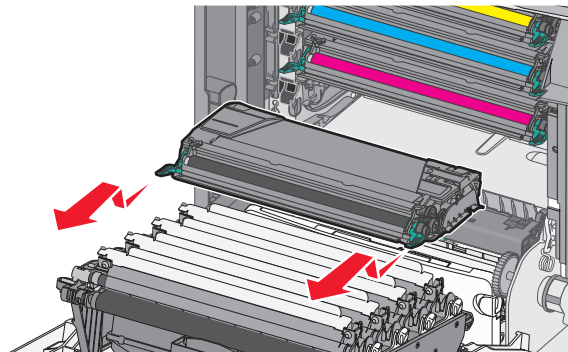
Replacing a toner cartridge

- 1 Open the front door.

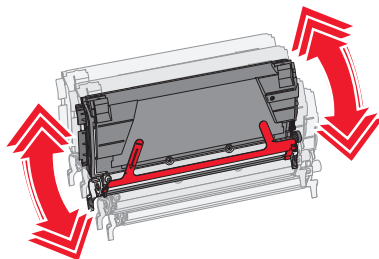
Warning—Potential Damage: To avoid overexposing the photoconductors, do not leave the front door open for more than 10 minutes.



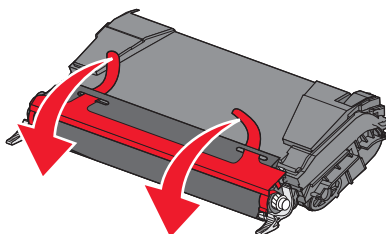
- 2 Pull the green tabs up and out of the specified cartridge to remove it from the printer.



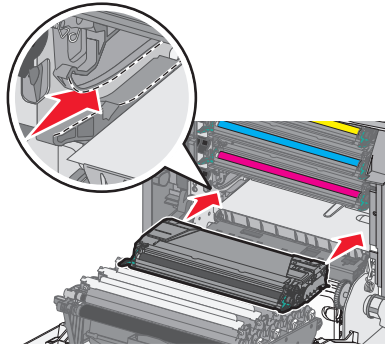
- 3 Unpack the replacement toner cartridge, and then shake it front-to-back and side-to-side to redistribute the toner.



- 4 Remove the red packing strip from the new cartridge.

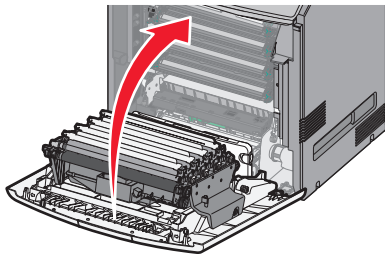


- 5 Insert the new cartridge into the printer.



Note: Make sure the cartridge is fully pushed in.

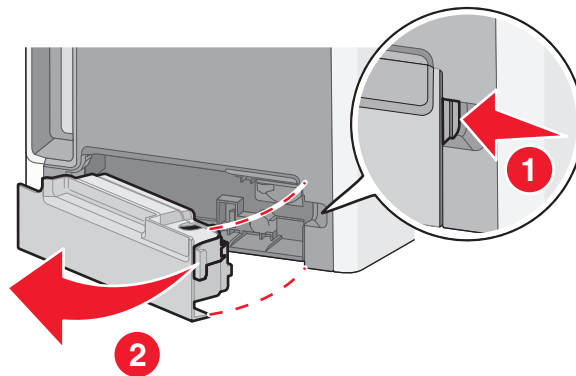
- 6 Close the front door.



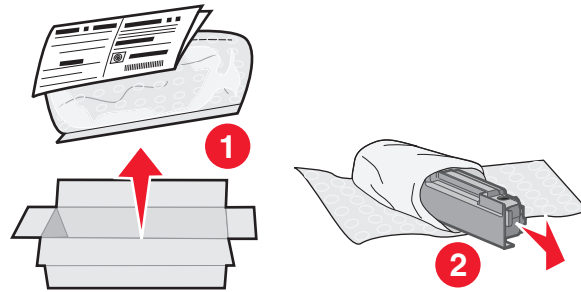
Note: When print becomes faded, immediately order a new cartridge. A message on the printer display specifies what color cartridge is low in toner. You can try to extend the life of the cartridges by pulling them out of the printer and shaking them to redistribute the toner.

Replacing the waste toner bottle

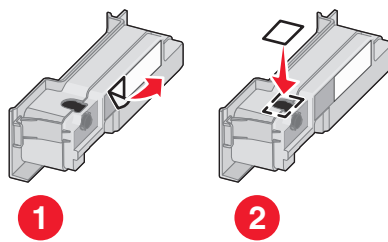
- 1 Locate the waste toner bottle release button on the left side of the printer.
- 2 Press the release button to the left, and then pull the waste toner bottle out to remove it from the printer.



3 Unpack the replacement waste toner bottle.

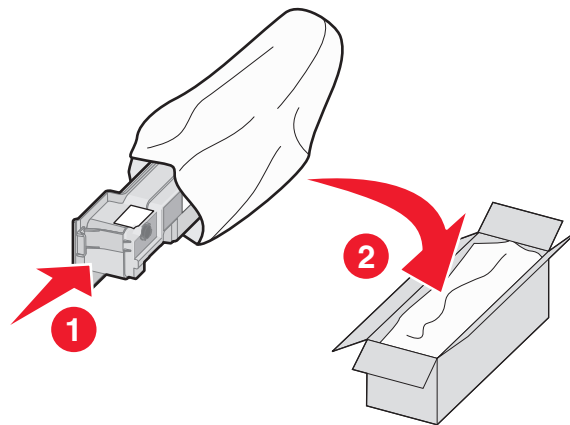


4 Peel the seal from the side of the full waste toner bottle, and then place it over the hole to seal off the waste toner bottle.

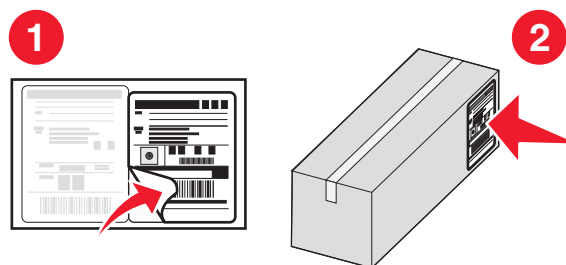


5 Place the sealed waste toner bottle in the recycling bag.

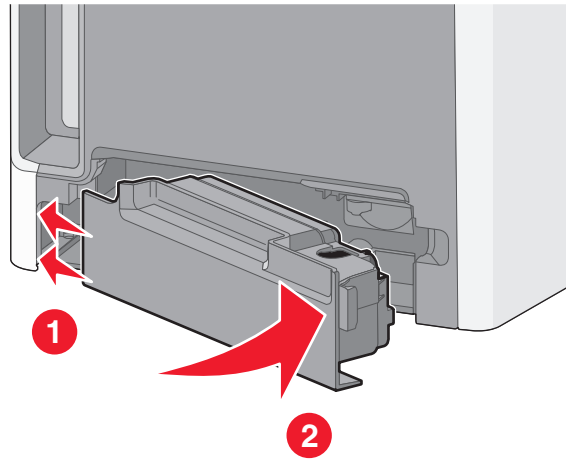
6 Place the bag into the shipping box used for the replacement part.



7 Peel the recycling label off and place it on the shipping box.



8 Insert the new waste toner bottle into the printer.

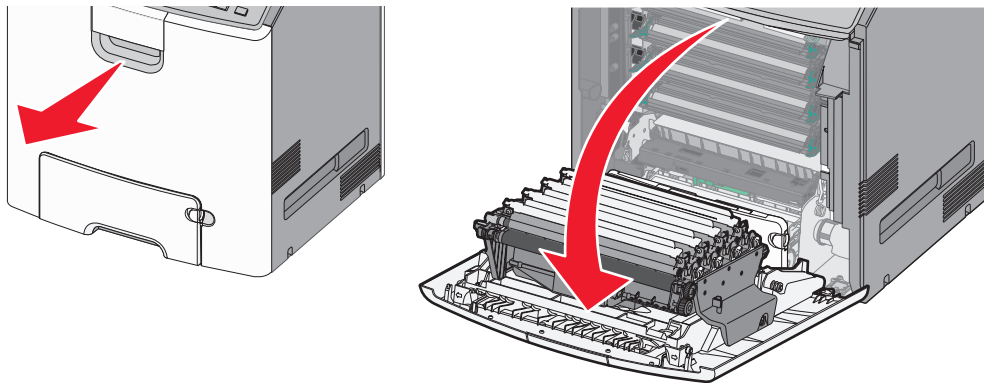


Replacing a photoconductor

Notes:

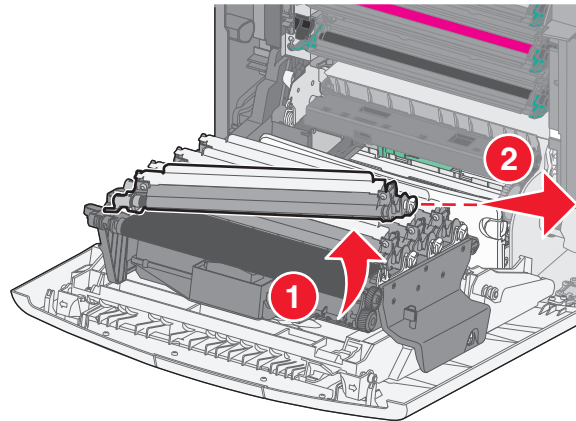
- Replace all four photoconductors at the same time for optimum print quality.
- Print quality is affected when the photoconductor is replaced without resetting the supply counter.

1 Open the front door.

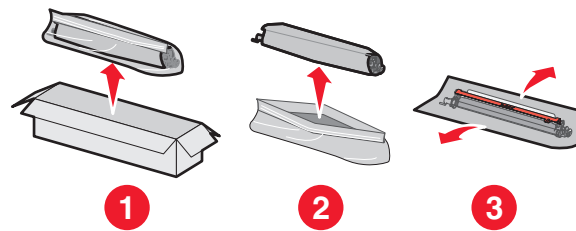


Warning—Potential Damage: To avoid overexposing the photoconductors, do not leave the door open for more than 10 minutes.

- 2 Pull the specified photoconductor up, and then slide it to the right to remove it from the printer.

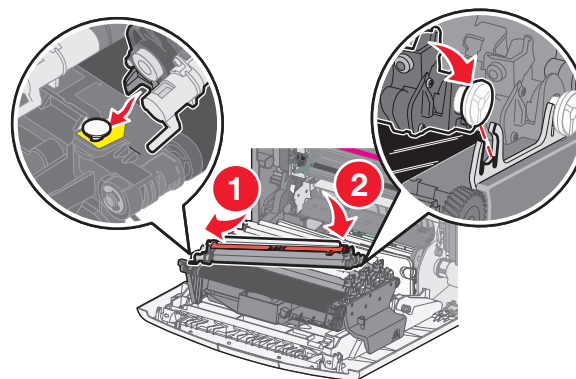


- 3 Unpack the replacement photoconductor.

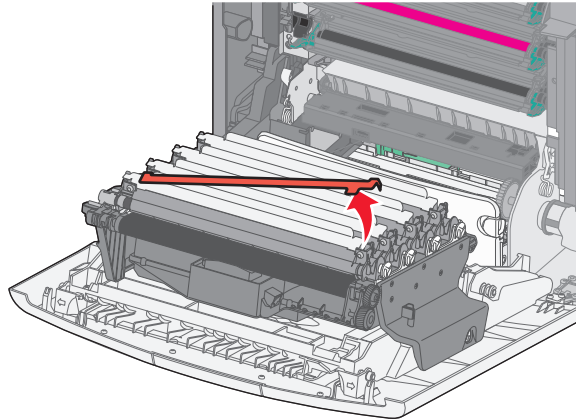


Warning—Potential Damage: Do not touch the shiny area on the photoconductor drum. Touching it could damage the photoconductor.

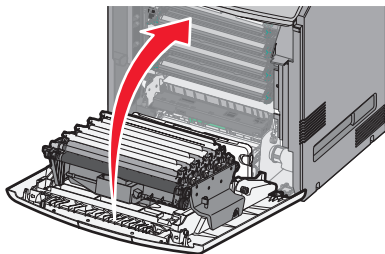
- 4 Align and insert the left end of the photoconductor, and then press the right end into place.



- 5 Remove the red packing strip from the top of the photoconductor.



- 6 Close the front door.



Resetting the maintenance counter

Reset the maintenance counter after installing a new photoconductor.

When a “replace” or “low” message appears


Follow this procedure when a photoconductor is replaced and **84 Replace [color] photoconductor**, **84 [Color] photoconductor nearly low**, or **84 [Color] photoconductor low** appears:

- 1 From the printer control panel, navigate to:

 > **Status/Supplies** >  > **Supply Replaced** > 

or

 > **Status/Supplies** > **Supply Replaced**

- 2 When **Replaced [color] photoconductor** appears, select **Yes**. For non-touch-screen printer models, press  to confirm.

Notes:

- Make sure to replace all four photoconductors at the same time.
- When **Ready** appears, the counter is reset.

When a “replace” or “low” message does *not* appear



Follow this procedure when a photoconductor is replaced and a “replace” or “low” message does not appear:

- 1 From the printer control panel, navigate to:

 > **Settings** >  > **Supplies Menu** >  > **Replace Supply** > 

or

 > **Supplies Menu** > **Replace Supply**

- 2 Select the button that indicates the supply item you replaced.
 - All
 - Cyan Photoconductor
 - Magenta Photoconductor
 - Yellow Photoconductor
 - Black Photoconductor
- 3 When **[Color] photoconductor replaced** appears, select **Yes**. For non-touch screen printer models, press  to confirm.
- 4 Press  to return to the home screen.

Cleaning printer parts

Cleaning the interior of the printer

Note: You may need to perform this task after every few months.

Warning—Potential Damage: Damage to the printer caused by improper handling is not covered by the printer warranty.

- 1 Make sure that the printer is turned off and unplugged from the wall outlet.




CAUTION—SHOCK HAZARD: To avoid the risk of electric shock when cleaning the interior of the printer, unplug the power cord from the wall outlet and disconnect all cables to the printer before proceeding.

- 2 Remove paper from the standard bin and multipurpose feeder.
- 3 Remove any dust, lint, and pieces of paper around and from inside the printer using a soft brush or vacuum.
- 4 Use a dry cloth to wipe away loose toner particles.

Warning—Potential Damage: To avoid overexposing the photoconductor unit or imaging unit, do not leave the door open for more than 10 minutes.

Cleaning the exterior of the printer

- 1 Make sure that the printer is turned off and unplugged from the wall outlet.

 **CAUTION—SHOCK HAZARD:** To avoid the risk of electric shock when cleaning the exterior of the printer, unplug the power cord from the wall outlet and disconnect all cables to the printer before proceeding.

- 2 Remove all paper from the printer.
- 3 Dampen a clean, lint-free cloth with water.

Warning—Potential Damage: Do not use household cleaners or detergents, as they may damage the finish of the printer.

- 4 Wipe only the outside of the printer.

Warning—Potential Damage: Using a damp cloth to clean the interior may cause damage to your printer.

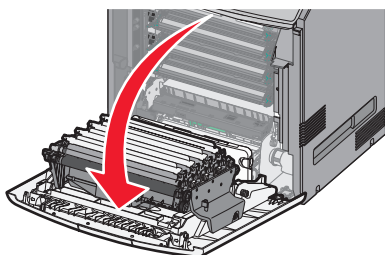
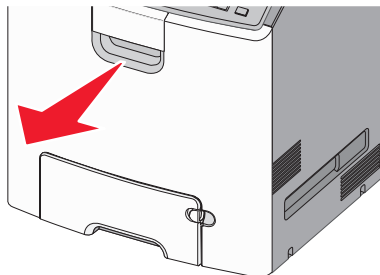
- 5 Make sure all areas of the printer are dry before beginning a new print job.

Cleaning the printhead lenses

Clean the printhead lenses when you encounter print quality problems.

- 1 Open the front door.

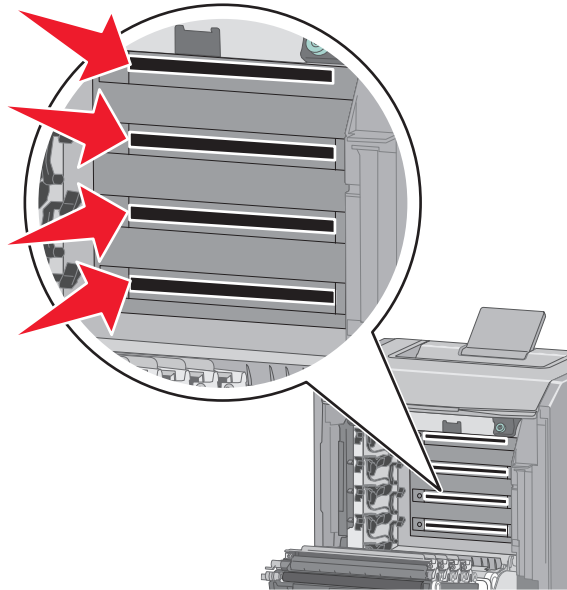
Warning—Potential Damage: To avoid overexposing the photoconductor units, do not leave the front door open for more than 10 minutes.



- 2 Remove all four toner cartridges. Do not remove the photoconductor units for this procedure.

Warning—Potential Damage: Do not touch the shiny area on the photoconductor drum. Doing so can damage the photoconductor.

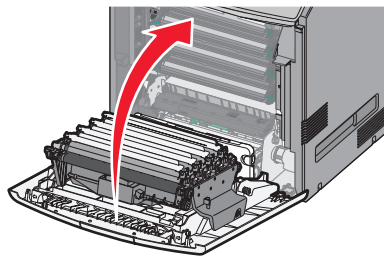
- 3 Locate the four printhead lenses.



- 4 Clean the lenses using compressed air.

Warning—Potential Damage: Do not touch the printhead lenses. Doing so may cause damage.

- 5 Reinstall the four toner cartridges.
- 6 Close the front door.



Moving the printer

Before moving the printer

⚠ CAUTION—POTENTIAL INJURY: The printer weight is greater than 18 kg (40 lb) and requires two or more trained personnel to lift it safely.

⚠ CAUTION—POTENTIAL INJURY: Before moving the printer, follow these guidelines to avoid personal injury or printer damage:

- Turn the printer off using the power switch, and then unplug the power cord from the wall outlet.
- Disconnect all cords and cables from the printer before moving it.

- Lift the printer off of the optional drawer and set it aside instead of trying to lift the drawer and printer at the same time.

Note: Use the handholds located on both sides of the printer to lift it off the optional drawer.

Warning—Potential Damage: Damage to the printer caused by improper moving is not covered by the printer warranty.

Moving the printer to another location

The printer and options can be safely moved to another location by following these precautions:

- Any cart used to move the printer must have a surface able to support the full footprint of the printer. Any cart used to move the options must have a surface able to support the dimensions of the options.
- Keep the printer in an upright position.
- Avoid severe jarring movements.

Shipping the printer

When shipping the printer, use the original packaging or call the place of purchase for a relocation kit.

Clearing jams

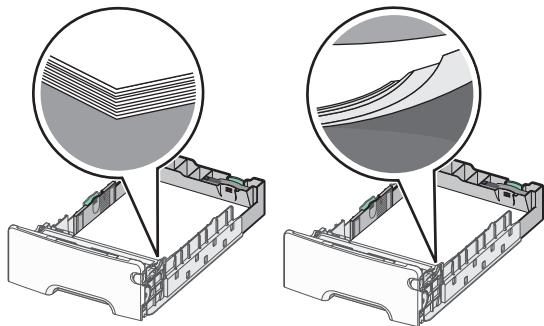
Carefully select paper and specialty media and load them properly to avoid paper jams. If jams occur, then follow the steps outlined in this chapter.

Note: Jam Recovery is set to Auto by default. The printer reprints jammed pages unless the memory required to hold the pages is needed for other printer tasks.

Avoiding jams

Load paper properly

- Make sure paper lies flat in the tray.

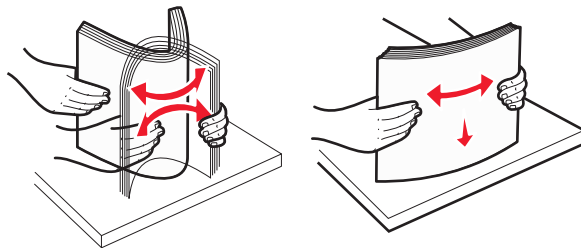


Correct paper loading Incorrect paper loading

- Do not remove a tray while the printer is printing.
- Do not load a tray while the printer is printing. Load it before printing, or wait for a prompt to load it.
- Do not load too much paper. Make sure the stack height does not exceed the maximum paper fill indicator.
- Make sure the guides in the tray or the multipurpose feeder are properly positioned and are not pressing too tightly against the paper or envelopes.
- Push the tray in firmly after loading paper.

Use recommended paper

- Use only recommended paper or specialty media.
- Do not load wrinkled, creased, damp, bent, or curled paper.
- Flex and straighten paper before loading it.



- Do not use paper that has been cut or trimmed by hand.
- Do not mix paper sizes, weights, or types in the same stack.

- Make sure all paper sizes and types are set correctly in the printer control panel menus.
- Store paper per manufacturer recommendations.

Understanding jam numbers and locations

When a jam occurs, a message indicating the jam location appears on the printer display. Open doors and covers, and remove trays to access jam locations. To resolve any paper jam message, you must clear all jammed papers from all possible locations.


Area name	Jam numbers	What to do
Inside the printer	200–201	Open the front door, and then remove the jammed paper from behind the toner cartridge area. Open the front door, and then remove the jammed paper from under the photoconductor units. Open the front door, and then remove the jammed paper from under the fuser.
Inside the printer	202–203	Open the front door, and then remove the jammed paper from the fuser area. Open the top access cover, and then remove the jammed paper.
Inside the printer	230	Open the front door, and then remove the jammed paper located between the front door and Tray 1.
Standard output bin	202–203	Remove all paper from the standard output bin, and then remove the jammed paper.
Tray [x]	24x	Open each tray, and then remove any jams.
Multipurpose feeder	250	Remove all paper from the multipurpose feeder, and then remove the jammed paper.

200–201 paper jams

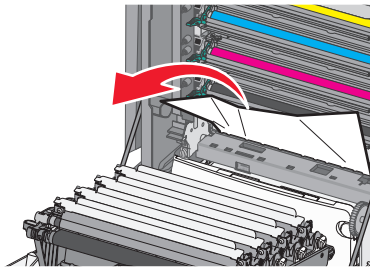
Paper jam in the toner cartridge area

- 1 Open the front door.

Warning—Potential Damage: To avoid overexposing the photoconductor units, do not leave the front door open for more than 10 minutes.


 **CAUTION—HOT SURFACE:** The inside of the printer might be hot. To reduce the risk of injury from a hot component, allow the surface to cool before touching it.

- 2 Firmly grasp the jammed paper on each side, and then gently pull it up and out to remove it from behind the toner cartridge area.



Note: Make sure all paper fragments are removed.


- 3 Close the front door.

- 4 Depending on your printer model, touch **Continue, jam cleared** or press .

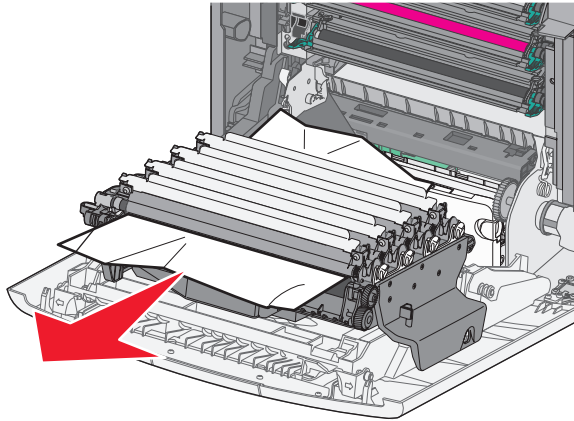
Paper jam under the photoconductor units

- 1 Open the front door.

Warning—Potential Damage: To avoid overexposing the photoconductor units, do not leave the front door open for more than 10 minutes.

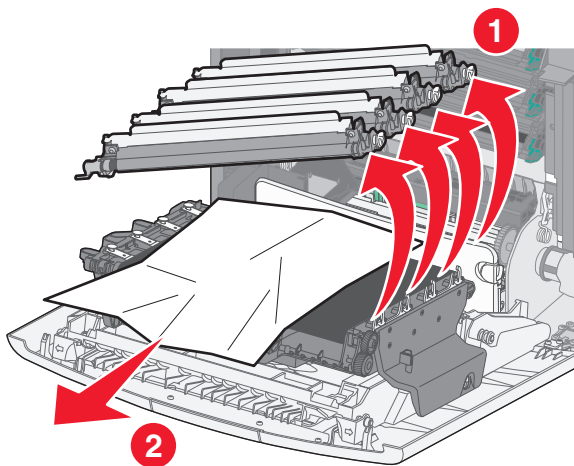
 **CAUTION—HOT SURFACE:** The inside of the printer might be hot. To reduce the risk of injury from a hot component, allow the surface to cool before touching it.

- 2 If lodged under the photoconductor units, then firmly grasp the jammed paper on each side, and then gently pull it out .



- 3 If the jammed paper is lodged too tightly under the photoconductor units, then remove the photoconductor units and place them on a flat surface.


Warning—Potential Damage: Be careful not to touch the photoconductor drum. Doing so may affect the print quality of future print jobs.



- 4 Firmly grasp the jammed paper on each side, then gently pull it out, and then reinstall each photoconductor unit.

Note: Make sure all paper fragments are removed.


- 5 Close the front door.

- 6 Depending on your printer model, touch **Continue, jam cleared** or press .

Paper jam in the fuser area

- 1 Open the front door.

Warning—Potential Damage: To avoid overexposing the photoconductor units, do not leave the front door open for more than 10 minutes.

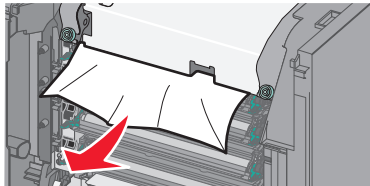
 **CAUTION—HOT SURFACE:** The inside of the printer might be hot. To reduce the risk of injury from a hot component, allow the surface to cool before touching it.

- 2 Open the printer top access cover.

- 3 Determine where the jammed paper is located, and then remove it:

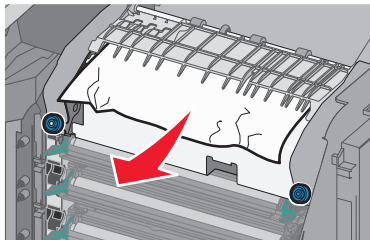
- a If the paper is visible under the fuser, then firmly grasp the paper on each side, and then gently pull it out.

Note: Make sure all paper fragments are removed.



- b If the paper is visible at the top paper guide in the fuser assembly, then firmly grasp the jammed paper on each side, and then gently pull it out.

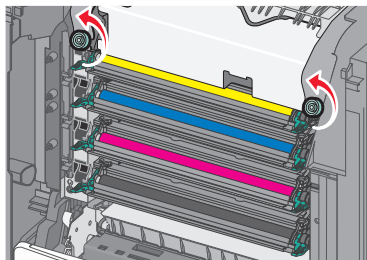
Note: Make sure all paper fragments are removed.



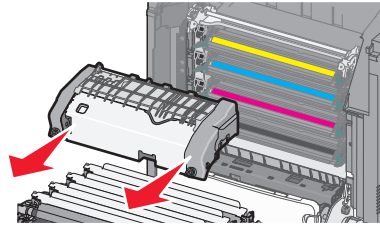
- c If paper is not visible, then remove the fuser unit:

Warning—Potential Damage: Do not touch the roller at the center of the fuser unit. Doing so may damage the fuser.

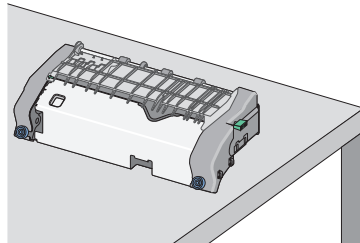
- 1 Turn the screws on the fuser counterclockwise to loosen them.



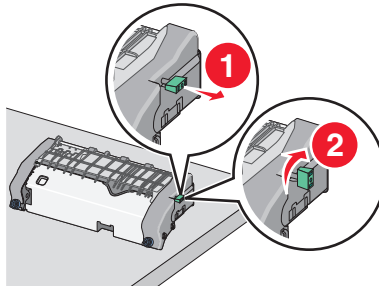
- 2 Using the handholds on each side, lift and pull the fuser out of the printer.



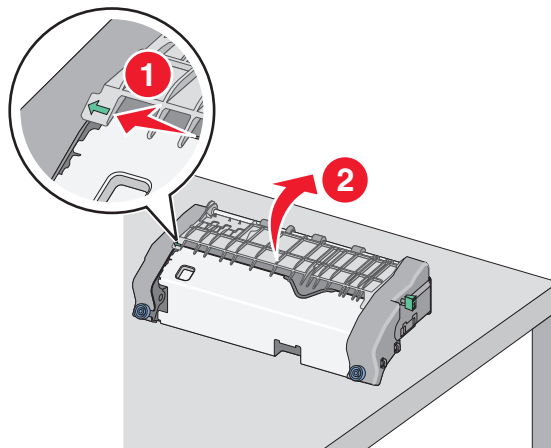
- d Place the fuser on a flat surface with the blue thumb screws facing you.



- e Pull and then rotate the green rectangular knob clockwise to unlock the top paper guide.

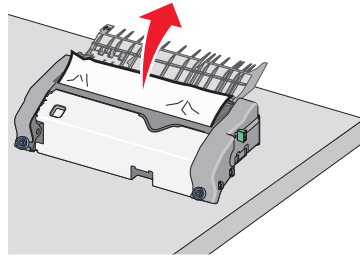


- f Press the green arrow tab to the left, and then lift the top paper guide.

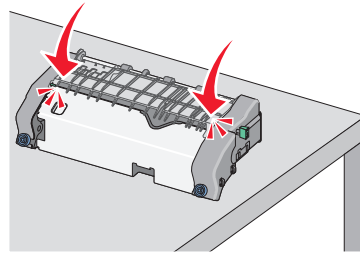


- g Firmly grasp the jammed paper on each side, and then gently pull it out.

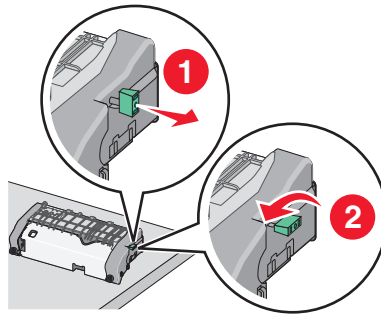
Note: Make sure all paper fragments are removed.



- h** Close the top paper guide. Make sure both sides of the paper guide are firmly seated.

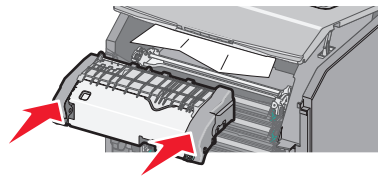


- i** Pull and then rotate the green rectangular knob counterclockwise to firmly secure the top paper guide.

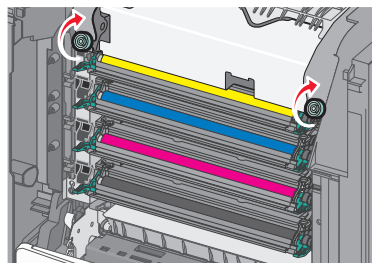


- j** Reinstall the fuser unit:

- 1** Align the fuser unit using the handholds on each side, and then insert it back into the printer.



- 2** Turn the screws clockwise to fasten the fuser securely.

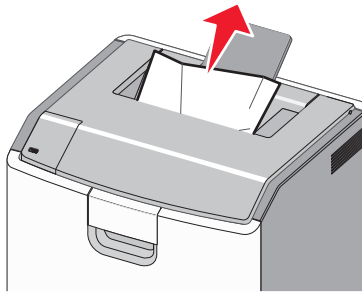


- 4 Close the printer top access cover, and then close the front door.
- 5 Depending on your printer model, touch **Continue, jam cleared** or press **OK**.

202–203 paper jams

If the jammed paper is visible in the standard exit bin, then firmly grasp the paper on each side, and then gently pull it out.

Note: Make sure all paper fragments are removed.



Paper jam in the fuser area

- 1 Open the front door.

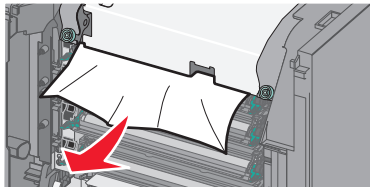
Warning—Potential Damage: To avoid overexposing the photoconductors, do not leave the front doors open for more than 10 minutes.



CAUTION—HOT SURFACE: The inside of the printer might be hot. To reduce the risk of injury from a hot component, allow the surface to cool before touching it.

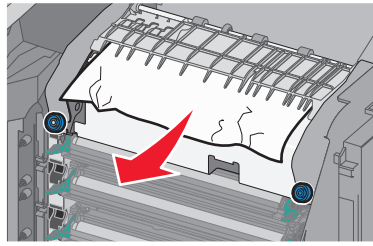
- 2 Open the printer top access cover.
- 3 Determine where the jammed paper is located, and then remove it:
 - a If the jammed paper is visible under the fuser, then firmly grasp the paper on each side, and then gently pull it out.

Note: Make sure all paper fragments are removed.



- b If the jammed paper is visible at the top paper guide in the fuser assembly, then firmly grasp the paper on each side, and then gently pull it out.

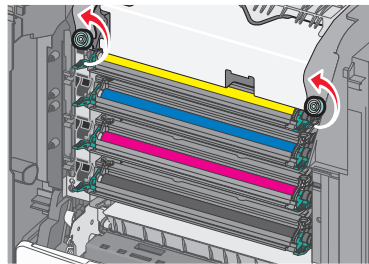
Note: Make sure all paper fragments are removed.



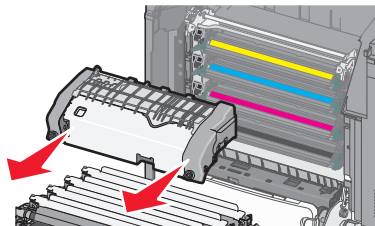
- c** If the jammed paper is not visible, then remove the fuser unit:

Warning—Potential Damage: Do not touch the roller at the center of the fuser unit. Doing so may damage the fuser.

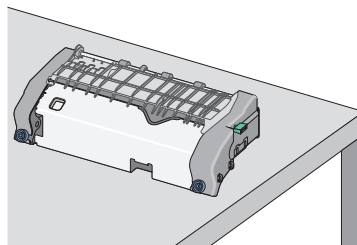
- 1** Turn the screws on the fuser counterclockwise to loosen them.



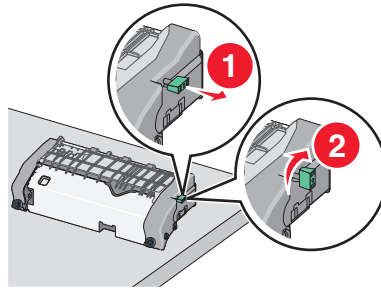
- 2** Using the handholds on each side, lift and pull the fuser out of the printer.



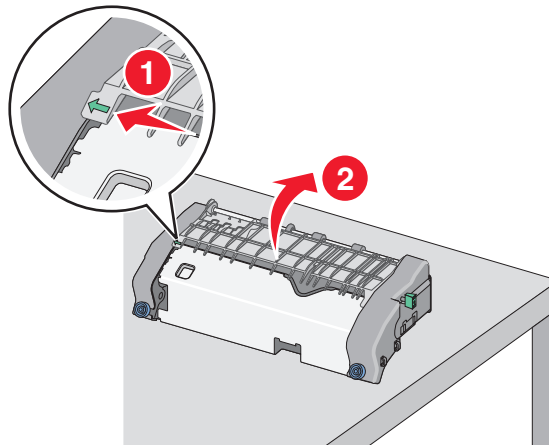
- d** Place the fuser on a flat surface with the blue thumb screws facing you.



- e Pull and then rotate the green rectangular knob clockwise to unlock the top paper guide.

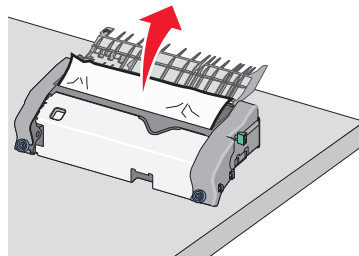


- f Press the green arrow tab to the left, and then lift the top paper guide.

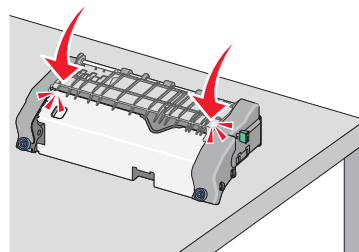


- g Firmly grasp the jammed paper on each side, and then gently pull it out.

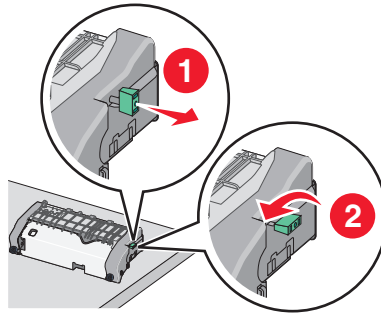
Note: Make sure all paper fragments are removed.



- h Close the top paper guide. Make sure both sides of the paper guide are firmly seated.

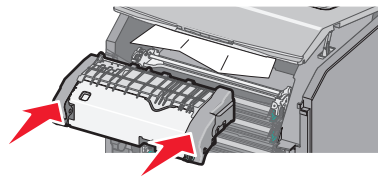


- i Pull and then rotate the green rectangular knob counterclockwise to firmly secure the top paper guide.

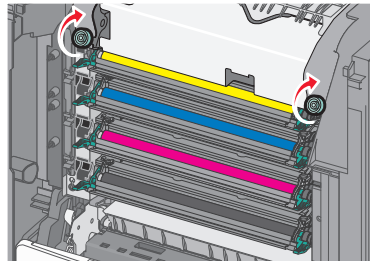


- j Reinstall the fuser unit:

- 1 Align the fuser unit using the handholds on each side, and then insert it back into the printer.



- 2 Turn the screws clockwise to fasten the fuser securely.



- 4 Close the printer top access cover, and then close the front door.
- 5 Depending on your printer model, touch **Continue, jam cleared** or press **OK**.

Paper jam inside the top access cover

- 1 Open the front door.

Warning—Potential Damage: To avoid overexposing the photoconductors, do not leave the front doors open for more than 10 minutes.



CAUTION—HOT SURFACE: The inside of the printer might be hot. To reduce the risk of injury from a hot component, allow the surface to cool before touching it.

- 2 Open the printer top access cover.
- 3 Firmly grasp the jammed paper on each side, and then gently pull it out.

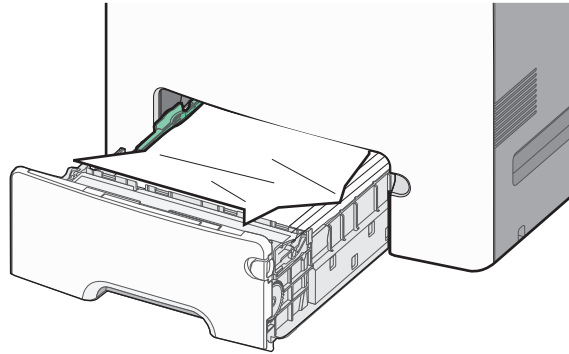
Note: Make sure all paper fragments are removed.

- 4 Close the printer top access cover, and then close the front door.
- 5 Depending on your printer model, touch **Continue, jam cleared** or press **OK**.

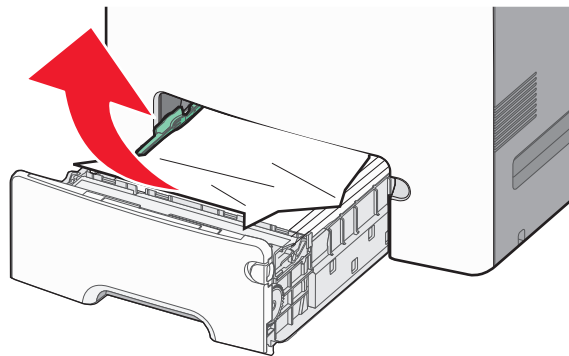
24x paper jam

Paper jam in Tray 1

- 1 Open Tray 1.



- 2 Firmly grasp the jammed paper on each side, and then gently pull it out.

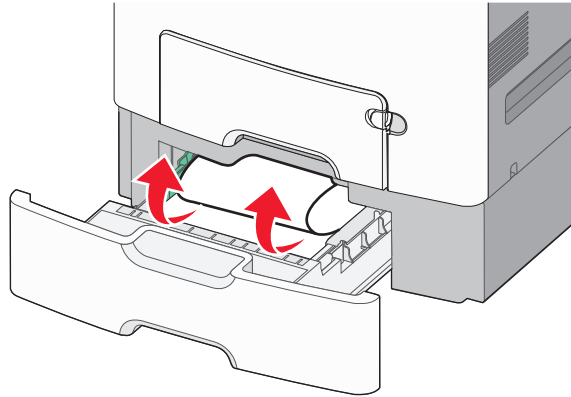


Note: Make sure all paper fragments are removed.

- 3 Close Tray 1.
- 4 Depending on your printer model, touch **Continue, jam cleared** or press **OK**.

Paper jam in one of the optional trays

- 1 Open the specified tray.
- 2 Firmly grasp the jammed paper on each side, and then gently pull it out.

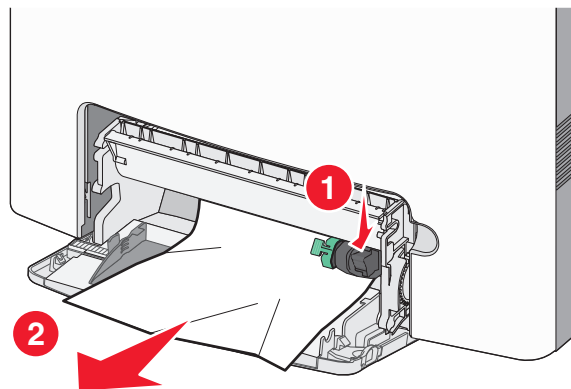


Note: Make sure all paper fragments are removed.

- 3 Close the tray.
- 4 Depending on your printer model, touch **Continue, jam cleared** or press **OK**.

250 paper jam

- 1 Press the paper release lever, and then remove any jammed pages from the multipurpose feeder.



Note: Make sure all paper fragments are removed.

- 2 Load new paper into the multipurpose feeder.
- 3 Depending on your printer model, touch **Continue, jam cleared** or press **OK**.

Troubleshooting

Solving basic printer problems

If there are basic printer problems, or the printer is unresponsive, make sure:

- The power cord is plugged into the printer and a properly grounded electrical outlet.
- The electrical outlet is not turned off by any switch or breaker.
- The printer is not plugged into any surge protectors, uninterruptible power supplies, or extension cords.
- Other electronic equipment plugged into the outlet is working.
- The printer is turned on. Check the printer power switch.
- The printer cable is securely attached to the printer and the host computer, print server, option, or other network device.
- All options are properly installed.
- The printer driver settings are correct.

Once you have checked each of these possibilities, turn the printer off, wait for about 10 seconds, and then turn the printer back on. This often fixes the problem.

Understanding the printer messages


An error has occurred with the USB drive. Please remove and reinsert drive.

Try one or more of the following:

- Remove and reinsert the flash drive.
- If the error message remains, the flash memory may be defective and require replacement.


Change [paper source] to [custom type name]

Try one or more of the following

- Load the correct paper size and type in the tray, verify the paper size and type settings are specified in the Paper menu on the printer control panel, and then select **Finished changing paper**. For non-touch-screen printer models, press  to confirm.
- Cancel the print job.


Change [paper source] to [custom type name] load [orientation]

Try one or more of the following

- Load the correct paper size and type in the tray, verify the paper size and type settings are specified in the Paper menu on the printer control panel, and then select **Finished changing paper**. For non-touch-screen printer models, press  to confirm.
- Cancel the print job.


Change [paper source] to [custom string]

Try one or more of the following:

- Load the correct paper size and type in the tray, verify the paper size and type settings are specified in the Paper menu on the printer control panel, and then select **Finished changing paper**. For non-touch-screen printer models, press  to confirm.
- Cancel the print job.


Change [paper source] to [custom string] load [orientation]

Try one or more of the following:

- Load the correct paper size and type in the tray, verify the paper size and type settings are specified in the Paper menu on the printer control panel, and then select **Finished changing paper**. For non-touch-screen printer models, press  to confirm.
- Touch **Cancel job** to cancel the print job.


Change [paper source] to [paper size]

Try one or more of the following:

- Load the correct paper size and type in the tray, verify the paper size and type settings are specified in the Paper menu on the printer control panel, and then select **Finished changing paper**. For non-touch-screen printer models, press  to confirm.
- Cancel the print job.


Change [paper source] to [paper size] load [orientation]

Try one or more of the following:

- Load the correct paper size and type in the tray, verify the paper size and type settings are specified in the Paper menu on the printer control panel, and then select **Finished changing paper**. For non-touch-screen printer models, press  to confirm.
- Cancel the print job.


Change [paper source] to [paper type] [paper size]

Try one or more of the following:

- Load the correct paper size and type in the tray, verify the paper size and type settings are specified in the Paper menu on the printer control panel, and then select **Finished changing paper**. For non-touch-screen printer models, press  to confirm.
- Cancel the print job.

Change [paper source] to [paper type] [paper size] load [orientation]

Try one or more of the following:

- Load the correct paper size and type in the tray, verify the paper size and type settings are specified in the Paper menu on the printer control panel, and then select **Finished changing paper**. For non-touch-screen printer models, press  to confirm.
- Cancel the print job.

Close front door

Close the front door of the printer.

Disk corrupted

The printer attempted to recover data on a corrupted hard disk. The hard disk must be reformatted.


Select **Format disk** to reformat the printer hard disk and clear the message. For non-touch-screen printer models,

press  to confirm.

Note: Formatting deletes all the files stored on the printer hard disk.

Disk near full. Securely clearing disk space.

Try one or more of the following:

- Select **Continue** to clear the message. For non-touch-screen printer models, press  to confirm.
- Delete fonts, macros, and other data stored in the printer hard disk.
- Install a hard disk with higher capacity.

Disk problem

The printer hard disk must be reformatted.

Select **Format disk** to reformat the printer hard disk and clear the message. For non-touch-screen printer models,

press  to confirm.

Note: Formatting deletes all the files stored in the printer hard disk.

Error reading USB drive. Remove USB.

An unsupported flash drive is inserted. Remove the flash drive, and then install a supported one.

Insert Tray [x]

Insert the specified tray into the printer.

Install Tray [x]


Try one or more of the following:

- Install the specified tray:
 - 1 Turn the printer off.
 - 2 Unplug the power cord from the wall outlet.
 - 3 Install the specified tray.
 - 4 Connect the power cord to a properly grounded electrical outlet.
 - 5 Turn the printer back on.
- Cancel the print job.

Load [paper source] with [custom type name]

Try one or more of the following:

- Load the tray or feeder with the correct paper size and type.
- To use the paper tray with the correct paper size or type, select **Paper loaded, continue** on the printer control panel.

For non-touch-screen printer models, press  to confirm.


If the printer finds a tray that has the correct paper type and size, then it feeds from that tray. If the printer cannot find a tray with the correct paper type and size, then it prints from the default paper source.

- Cancel the current job.

Load [paper source] with [custom string]

Try one or more of the following:

- Load the specified tray or feeder with the correct paper size and type.
- To use the paper tray with the correct paper size or type, select **Paper loaded, continue** on the printer control panel.


For non-touch-screen printer models, press  to confirm.

If the printer finds a tray that has the correct paper type and size, then it feeds from that tray. If the printer cannot find a tray with the correct paper type and size, then it prints from the default paper source.

- Cancel the current job.


Load [paper source] with [paper size]

Try one or more of the following:

- Load the specified tray or feeder with the correct paper size.
- To use the paper tray or feeder with the correct paper size, select **Paper loaded, continue** on the printer control panel. For non-touch-screen printer models, press  to confirm.
If the printer finds a tray that has the correct paper size, then it feeds from that tray. If the printer cannot find a tray with the correct paper size, then it prints from the default paper source.
- Cancel the current job.



Load [paper source] with [paper type] [paper size]

Try one or more of the following:

- Load the specified tray or feeder with the correct paper size and type.
- To use the paper tray or feeder with the correct paper size and type, select **Paper loaded, continue** on the printer control panel. For non-touch-screen printer models, press  to confirm.
If the printer finds a tray that has the correct paper size and type, then it feeds from that tray. If the printer cannot find a tray with the correct paper size and type, then it prints from the default paper source.
- Cancel the current job.



Load manual feeder with [custom type name]

Try one or more of the following:

- Load the feeder with the correct paper size and type.
- Depending on your printer model, touch **Continue** or press  to clear the message and continue printing.
Note: If no paper is loaded in the feeder when **Continue** or  is selected, then the printer manually overrides the request, and then prints from an automatically selected tray.
- Cancel the current job.


Load manual feeder with [custom string]


Try one or more of the following:

- Load the feeder with the correct paper size and type.
- Depending on your printer model, touch **Continue** or press  to clear the message and continue printing.
Note: If no paper is loaded in the feeder when **Continue** or  is selected, then the printer automatically overrides the request, and then prints from an automatically selected tray.
- Cancel the current job.

Load manual feeder with [paper size]

Try one or more of the following:


- Load the feeder with the correct paper size.
- Depending on your printer model, touch **Continue** or press  to clear the message and continue printing.


Note: If no paper is loaded in the feeder when **Continue** or  is selected, then the printer manually overrides the request, and then prints from an automatically selected tray.

- Cancel the current job.

Load manual feeder with [paper type] [paper size]

Try one or more of the following:


- Load the feeder with the correct paper size and type.
- Depending on your printer model, touch **Continue** or press  to clear the message and continue printing.

Note: If no paper is loaded in the feeder when **Continue** or  is selected, then the printer manually overrides the request, and then prints from an automatically selected tray.


- Cancel the current job.

Paper changes needed


Try one or more of the following:

- Select **Use current supplies** to clear the message. For non-touch-screen printer models, press  to confirm.
- Cancel the current print job.

Remove packaging material, [area name]

- 1 Remove any remaining packaging material from the specified location.
- 2 Select **Continue** to clear the message and continue printing. For non-touch-screen printer models, press  to confirm.

Remove paper from standard output bin

- 1 Remove paper stack from the standard output bin.
- 2 Select **Continue** to clear the message and continue printing. For non-touch-screen printer models, press  to confirm.

Restore held jobs?

Try one or more of the following:

- Select **Restore** on the printer control panel to restore all held jobs stored in the printer hard disk. For non-touch-screen printer models, press **OK** to confirm.
- Select **Do not restore** if you do not want any print jobs to be restored. For non-touch-screen printer models, press **OK** to confirm.

Some held jobs were not restored

Select **Continue** to clear the message. For non-touch-screen printer models, press **OK** to confirm.

Note: Held jobs that are not restored remain in the printer hard disk and are inaccessible.

Supply needed to complete job

A supply needed to complete the job is missing. Cancel the current job.

Tray [x] paper size unsupported

The paper size in the specified tray is unsupported. Replace it with a supported paper size.

Unsupported disk

- 1 Remove the unsupported disk, and then install a supported one.
- 2 Select **Continue** to clear the message and continue printing. For non-touch screen printer models, press **OK** to confirm.

31.xx Missing or defective [color] cartridge

The specified toner cartridge is either missing or not functioning properly.


- Remove the specified toner cartridge, and then reinstall it.
- Remove the specified toner cartridge, and then install a new one.

32.xx [Color] cartridge part number unsupported by device

Remove the specified toner cartridge, and then install a supported one.


34 Incorrect paper size, open [paper source]

Try one or more of the following:


- Load the correct paper size in the tray.
- Select **Continue** to clear the message and print the job using a different paper tray. For non-touch-screen printer models, press  to confirm.
- Check tray length and width guides and make sure paper is properly loaded in the tray.
- For Windows users, check the Print Properties settings to make sure the print job is requesting the correct paper size and type.
For Macintosh users, check the Print dialog settings to make sure the print job is requesting the correct paper size and type.
- Check that the paper size is correctly set. For example, if the MP Feeder Size is set to Universal, then make sure the paper is large enough for the data being printed.
- Cancel the current print job.

35 Insufficient memory to support Resource Save feature

Try one or more of the following:


- Select **Continue** to disable Resource Save and continue printing. For non-touch-screen printer models, press  to confirm.
- To enable Resource Save after receiving this message, make sure the link buffers are set to Auto, and then exit the menus to activate the link buffer changes. When **Ready** appears, enable Resource Save.
- Install additional memory.

36 Printer service required

Select **Continue** to clear the message or contact customer support. For non-touch-screen printer models, press  to confirm.


37 Insufficient memory for Flash Memory Defragment operation

Try one or more of the following:

- Select **Continue** to stop the defragment operation and continue printing. For non-touch-screen printer models, press  to confirm.
- Delete fonts, macros, and other data in the printer memory.
- Install additional printer memory.


37 Insufficient memory to collate job

Try one or more of the following:

- Select **Continue** to print the portion of the job already stored and begin collating the rest of the print job. For non-touch-screen printer models, press  to confirm.
- Cancel the current print job.


37 Insufficient memory, some Held Jobs were deleted

The printer deleted some held jobs in order to process current jobs.

Select **Continue** to clear the message and continue printing. For non-touch-screen printer models, press  to confirm.


37 Insufficient memory, some held jobs will not be restored

The printer is unable to restore some or all of the confidential or held jobs in the printer hard disk.

Select **Continue** to clear the message. For non-touch-screen printer models, press  to confirm.


38 Memory full

Try one or more of the following:

- Select **Cancel job** to clear the message. For non-touch-screen printer models, press  to confirm.
- Install additional printer memory.


39 Complex page, some data may not have printed

Try one or more of the following:

- Select **Continue** to clear the message and continue printing. For non-touch-screen printer models, press  to confirm.
- Cancel the current print job.
- Install additional printer memory.


51 Defective flash detected

Try one or more of the following:

- Select **Continue** to clear the message and continue printing. For non-touch-screen printer models, press  to confirm.
- Cancel the current print job.


52 Not enough free space in flash memory for resources

Try one or more of the following:

- Select **Continue** to clear the message and continue printing. For non-touch-screen printer models, press  to confirm.
Downloaded fonts and macros not previously stored in flash memory are deleted.
- Delete fonts, macros, and other data stored in flash memory.
- Upgrade to a larger capacity flash memory card.


53 Unformatted flash detected

Try one or more of the following:

- Select **Continue** to stop the defragment operation and continue printing. For non-touch-screen printer models, press  to confirm.
- Format the flash memory. If the error message remains, then the flash memory may be defective and may need to be replaced.


54 Network [x] software error

Try one or more of the following:

- Select **Continue** to clear the message. For non-touch-screen printer models, press  to confirm.
- Turn the printer off, wait for about 10 seconds, and then turn the printer back on.
- Upgrade (flash) the network firmware in the printer. For more information, contact customer support.


54 Serial option [x] error

Try one or more of the following:

- Check that the serial cable is connected properly and is the correct one for the serial port.
- Check that the serial interface parameters (protocol, baud, parity, and data bits) are set correctly on the printer and on the computer.
- Select **Continue** to clear the message. For non-touch-screen printer models, press  to confirm.
- Turn the printer power off, and then turn it back on.

54 Standard network software error

Try one or more of the following:

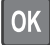
- Select **Continue** to clear the message. For non-touch-screen printer models, press  to confirm.
- Turn the printer off, and then turn it back on.
- Upgrade (flash) the network firmware in the printer or print server. For more information, contact customer support.

55 Unsupported option in slot [x]

- 1 Turn the printer off.
- 2 Unplug the power cord from the wall outlet.
- 3 Remove the unsupported option card from the printer system board, and then replace it with a supported card.
- 4 Connect the power cord to a properly grounded electrical outlet.
- 5 Turn the printer back on.

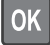
56 Parallel port [x] disabled

Try one or more of the following:

- Select **Continue** to clear the message. For non-touch-screen printer models, press  to confirm.
The printer discards any data received through the parallel port.
- Make sure the Parallel Buffer menu is not set to Disabled.


56 Serial port [x] disabled

Try one or more of the following:

- Select **Continue** to clear the message. For non-touch-screen printer models, press  to confirm.
The printer discards any data received through the serial port.
- Make sure the Serial Buffer menu is not set to Disabled.


56 Standard USB port disabled

Try one or more of the following:

- Select **Continue** to clear the message. For non-touch-screen printer models, press  to confirm.
The printer discards any data received through the USB port.
- Make sure the USB Buffer menu is not set to Disabled.

56 USB port [x] disabled


Try one or more of the following:

- Select **Continue** to clear the message. For non-touch-screen printer models, press  to confirm.
The printer discards any data received through the USB port.
- Make sure the USB Buffer menu is not set to Disabled.

57 Configuration change, some held jobs were not restored

Something has changed in the printer to invalidate the held jobs. Possible changes include:

- The printer firmware has been updated.
- Paper input options needed for the print job were removed.
- The print job was created using data from a device in the USB port and the device is no longer in the USB port.
- The printer hard disk contains print jobs that were stored while installed in a different printer model.

Select **Continue** to clear the message. For non-touch-screen printer models, press  to confirm.

58 Input config error


- 1 Turn the printer off.
- 2 Unplug the power cord from the wall outlet.
- 3 Check if all tray configurations are correct. Remove unnecessary trays if needed.
- 4 Connect the power cord to a properly grounded electrical outlet.
- 5 Turn the printer back on.

58 Too many disks installed

- 1 Turn the printer off.
- 2 Unplug the power cord from the wall outlet.
- 3 Remove the excess disks.
- 4 Connect the power cord to a properly grounded electrical outlet.
- 5 Turn the printer back on.

58 Too many flash options installed

Try one or more of the following:

- Select **Continue** to clear the message. For non-touch-screen printer models, press  to confirm.
- Remove extra flash options:
 - 1 Turn off the printer.
 - 2 Unplug the power cord from the wall outlet.
 - 3 Remove the excess flash memory.
 - 4 Connect the power cord to a properly grounded electrical outlet.
 - 5 Turn the printer back on.


58 Too many trays attached

- 1 Turn the printer off.
- 2 Unplug the power cord from the wall outlet.
Note: Optional trays lock together when stacked. Remove stacked trays one at a time from the top down.
- 3 Remove the additional trays.
- 4 Connect the power cord to a properly grounded outlet.
- 5 Turn the printer back on.

59 Incompatible tray [x]

Only options designed specifically for this printer are supported.

Try one or more of the following:

- Remove the specified tray.
- Select **Continue** to clear the message and continue printing without using the specified tray. For non-touch-screen printer models, press  to confirm.


61 Remove defective disk

Try one or more of the following:


- Remove the defective printer hard disk.
- Install a different printer hard disk before performing any operations that require a printer hard disk.

62 Disk full


Try one or more of the following:

- Select **Continue** to clear the message and continue processing. For non-touch-screen printer models, press  to confirm.
- Delete fonts, macros, and other data stored in the printer hard disk.
- Install a printer hard disk with larger capacity.


80.xx Fuser near life warning

- 1 Order a replacement fuser immediately. When print quality is reduced, install the new fuser, following the instruction sheet that came with the replacement part.
- 2 Select **Continue** to clear the message and continue printing. For non-touch-screen printer models, press  to confirm.

80.xx Fuser life warning

- Order a replacement fuser immediately. When print quality is reduced, install the new fuser, following the instruction sheet that came with the replacement part.
- Select **Continue** to clear the message and continue printing. For non-touch-screen printers, press  to confirm.

80.xx Replace fuser

- 1 Replace the fuser, following the instruction sheet that came with the replacement part.
- 2 Select **Continue** to clear the message and continue printing. For non-touch-screen printer models, press  to confirm.


80.xx Fuser missing

Reinsert the fuser into the printer.


For instructions on installing the fuser, select **More Information** on the printer control panel.

82.xx Waste toner bottle nearly full


Make sure a replacement waste toner bottle has been ordered.

- 1 Replace the waste toner bottle.
For instructions on installing the waste toner bottle, select **More Information** on the printer control panel.
- 2 Select **Continue** to clear the message and continue printing. For non-touch-screen printer models, press  to confirm.


82.xx Replace waste toner bottle

- 1 Replace the waste toner bottle.
For instructions on replacing the waste toner bottle, select **More Information** on the printer control panel.
- 2 Select **Continue** to clear the message and continue printing. For non-touch-screen printer models, press  to confirm.

82.xx Waste toner bottle missing

- 1 Reinsert the waste toner bottle into the printer.
For instructions on installing the waste toner bottle, select **More Information** on the printer control panel.
- 2 Select **Continue** to clear the message and continue printing. For non-touch-screen printer models, press  to confirm.

83.xx Transfer module life warning

- Select **Continue** to clear the message and continue printing. For non-touch-screen printer models, press  to confirm.
- Order a replacement transfer module immediately. When print quality is reduced, install the new transfer module, following the instruction sheet that came with the replacement part.

83.xx Transfer module missing

Reinsert the transfer module into the printer.

For instructions on installing the transfer module, select **More Information** on the printer control panel.


83.xx Replace transfer module

1 Replace the transfer module

For instructions on installing the transfer module, select **More Information** on the printer control panel.

- ### 2 Select **Continue** to clear the message and continue printing. For non-touch-screen printer models, press to confirm.

83.xx Transfer module near life warning

- Select **Continue** to clear the message and continue printing. For non-touch-screen printer models, press  to confirm.
- Order a replacement transfer module immediately. When print quality is reduced, install the new transfer module, following the instruction sheet that came with the replacement part.

84.xx [Color] photoconductor nearly low

- 1 Order a replacement photoconductor.
- 2 When print quality is reduced, install the new photoconductor, following the instruction sheet that came with the replacement supply.

Notes:

- All four photoconductors should be replaced at the same time.
- Make sure to reset the maintenance counter after replacing the photoconductors for optimum print quality.


- ### 3 Select **Continue** to clear the message and continue printing. For non-touch-screen printer models, press to confirm.

84.xx [Color] photoconductor low

- 1 Order a replacement photoconductor immediately.
- 2 When print quality is reduced, install the new photoconductor, following the instruction sheet that came with the replacement supply.

Notes:

- All four photoconductors should be replaced at the same time.
- Make sure to reset the maintenance counter after replacing the photoconductors for optimum print quality.


- 3 Select **Continue** to clear the message and continue printing. For non-touch-screen printer models, press  to confirm.

84.xx Replace [color] photoconductor

- 1 Replace the photoconductor, following the instruction sheet that came with the replacement supply.

Notes:

- All four photoconductors should be replaced at the same time.
- Make sure to reset the maintenance counter after replacing the photoconductors for optimum print quality.

- 2 Select **Continue** to clear the message and continue printing. For non-touch-screen printer models, press  to confirm.

84.xx [Color] photoconductor missing

Install the specified color photoconductor.

For instructions on installing the photoconductor, select **More Information** on the printer control panel.

88.xx [color] cartridge nearly low

Order a replacement for the specified toner cartridge.

88.xx [color] cartridge low

- 1 Remove the specified cartridge.

Warning—Potential Damage: Be careful not to touch the photoconductor drum. Doing so may affect the print quality of future print jobs.


- 2 Firmly shake the cartridge side-to-side and front-to-back several times to redistribute the toner.
- 3 Reinsert the cartridge, and then touch **Continue** to clear the message and continue printing.

Notes:

- Repeat this procedure multiple times until the print remains faded. When the print remains faded, replace the cartridge.
- Have a new cartridge available when the current one no longer prints satisfactorily.


88.xx [Color] cartridge critically low

The specified toner cartridge is critically low.

- 1 For instructions on replacing a toner cartridge, select **More Information** on the printer control panel.
- 2 Select **Continue** to clear the message and continue printing. For non-touch-screen printer models, press  to confirm.

88.xx [Color] cartridge very low

The specified print or toner cartridge is very low.

- 1 For instructions on replacing a cartridge, select **More Information** on the printer control panel.
- 2 Select **Continue** to clear the message and continue printing. For non-touch-screen printer models, press  to confirm.

Solving printing problems

Confidential and other held jobs do not print

These are possible solutions. Try one or more of the following:

PARTIAL JOB, NO JOB, OR BLANK PAGE PRINTS

The print job may contain a formatting error or invalid data.

- Delete the print job, and then print it again.
- For PDF documents, recreate the PDF and then print it again.

If you are printing from the Internet, then the printer may be reading multiple job titles as duplicates and deleting all jobs except the first one.

- For Windows users, open Print Properties. From the Print and Hold dialog, select the "Keep duplicate documents" check box under the User name text box before entering a PIN number.
- For Macintosh users, save each print job, naming each job differently, and then send the individual jobs to the printer.

MAKE SURE THE PRINTER HAS SUFFICIENT MEMORY

Free up additional printer memory by scrolling through the list of held jobs and deleting some of them.

Error message about reading USB drive appears

Make sure the flash drive is supported.

Incorrect characters print

- Make sure the printer is not in Hex Trace mode. If **Ready Hex** appears on the display, you must exit Hex Trace mode before you can print your job. Turn the printer off and back on to exit Hex Trace mode.
- Make sure the SmartSwitch settings are set to On in the Network and USB menus.

Job prints from the wrong tray or on the wrong paper

CHECK THE PAPER TYPE AND PAPER SIZE SETTINGS

Make sure the paper type setting matches the paper loaded in the tray:

- 1 From the printer control panel Paper menu, check the paper type and paper size settings.
- 2 Before sending the job to print, specify the correct type setting:
 - For Windows users, specify the paper type from Print Properties.
 - For Macintosh users, specify the paper type from the Print dialog.

Large jobs do not collate

These are possible solutions. Try one or more of the following:

MAKE SURE COLLATE IS SET TO ON

From the Finishing menu or Print Properties, set Collate to On.

Note: Setting Collate to Off in the software overrides the setting in the Finishing menu.

REDUCE THE COMPLEXITY OF THE PRINT JOB

Reduce the complexity of the print job by eliminating the number and size of fonts, the number and complexity of images, and the number of pages in the job.

MAKE SURE THE PRINTER HAS ENOUGH MEMORY

Add printer memory or an optional hard disk.

Multiple-language PDF files do not print

The PDF files may contain unavailable fonts.

- 1 Open the document you want to print in Adobe Acrobat.
- 2 Click the printer icon > **Advanced** > **Print as image** > **OK** > **OK**.

Print jobs do not print

Try one or more of the following:

MAKE SURE THERE IS NO PROBLEM WITH YOUR PRINTER

From the printer control panel, check the status. If necessary, follow the recovery instructions.

MAKE SURE THE PRINTER IS READY TO PRINT

Make sure **Ready** appears on the display before sending a print job.

CHECK IF A SUPPLY IS MISSING OR NEEDS REPLACEMENT

Remove and then reinstall or replace the supply.

CHECK IF THE STANDARD EXIT BIN IS FULL

Remove the paper stack from the standard exit bin.

CHECK IF THE PAPER TRAY IS EMPTY

Load paper in the tray.

MAKE SURE THE CORRECT PRINTER SOFTWARE IS INSTALLED

- Verify that you are using the correct printer software.
- If the printer is connected to your computer through a USB port, then make sure you are running a supported operating system and using a compatible printer software.

MAKE SURE THE INTERNAL PRINT SERVER IS WORKING PROPERLY

- Make sure the internal print server is properly installed and that the printer is connected to the network.
- Print a network setup page and check that the status shows **Connected**. If the status is **Not Connected**, then check the network cables, and then try printing the network setup page again. Contact your system support person to make sure the network is functioning correctly.

The printer software is available on the Lexmark Web site at <http://support.lexmark.com>.

MAKE SURE YOU ARE USING A RECOMMENDED USB, SERIAL, OR ETHERNET CABLE

For more information, visit the Lexmark Web site at <http://support.lexmark.com>.

MAKE SURE PRINTER CABLES ARE SECURELY CONNECTED

Check the cable connections to the printer and print server to make sure they are secure.

For more information, see the setup documentation that came with the printer.





Print job takes longer than expected

Try one or more of the following:

REDUCE THE COMPLEXITY OF THE PRINT JOB

Eliminate the number and size of fonts, the number and complexity of images, and the number of pages in the print job.

TURN OFF THE PAGE PROTECT SETTING

- 1 Depending on your printer model, press  or touch .
- 2 From the printer control panel, navigate to:
Settings > General Settings > Print Recovery > Page Protect > Off
- 3 Press  or touch .

CHANGE THE ENVIRONMENTAL SETTINGS

When using Eco-Mode or Quiet Mode settings, you may notice a reduction in performance.

Printing slows down

Try one or more of the following:

MAKE SURE TO USE PAPER NOT NARROW ENOUGH TO INVOKE THE SLOWDOWN MODE

Place larger paper such as Letter and A4 in the tray, and then print the same file.

Note: The slowdown mode functions as designed. This is to protect the fuser from becoming damaged by large temperature differentials across its length.

CONTACT CUSTOMER SUPPORT

If the problem continues, then the printer may need to be serviced. For more information, contact customer support.

Printer display is blank

The printer self-test failed. Turn the printer off, wait about 10 seconds, and then turn the printer back on.

If **Performing Self Test** and **Ready** do not appear, then turn the printer off, and then contact customer support.

Tray linking does not work

These are possible solutions. Try one or more of the following:

LOAD THE SAME SIZE AND TYPE OF PAPER

- Load the same size and type of paper in each tray to be linked.
- Move the paper guides to the correct positions for the paper size loaded in each tray.





USE THE SAME PAPER SIZE AND PAPER TYPE SETTINGS

- Print a menu settings page and compare the settings for each tray.
- If necessary, adjust the settings from the Paper Size/Type menu.

Note: The standard 550-sheet tray and the multipurpose feeder do not automatically sense the paper size. You must set the size from the Paper Size/Type menu.

Unexpected page breaks

INCREASE THE PRINT TIMEOUT VALUE

- 1 Depending on your printer model, press  or touch .
- 2 From the printer control panel, navigate to:
Settings > General Settings > Timeouts > Print Timeout
- 3 Increase the Print Timeout value, and then press  or touch  to confirm.

Solving home screen application problems

Note: This troubleshooting step applies only to touch-screen printer models.

An application error has occurred

CHECK THE SYSTEM LOG FOR RELEVANT DETAILS

- 1 Type the printer IP address or host name in the address field of your Web browser.
If you do not know the IP address or host name of the printer, then you can:
 - View the information on the printer control panel home screen, or in the TCP/IP section under the Networks/Ports menu.
 - Print a network setup page or menu settings page and locate the information in the TCP/IP section.
- 2 Click **Settings** or **Configuration**.
- 3 Click **Device Solutions > Solutions (eSF) > System tab > Log**.
- 4 From the Filter menu, select an application status.
- 5 From the Application menu, select an application, and then click **Submit**.

CONTACT CUSTOMER SUPPORT

If you still cannot isolate the problem, then contact customer support.

Solving option problems

2,000-sheet drawer problems

CHECK THE DRAWER CONNECTION

Make sure the 2,000-sheet drawer is properly connected to the printer.

LOAD PAPER

If the tray is empty, then load paper in the tray or feeder.

CLEAR ANY JAMS

Open the tray or feeder, and then remove any jammed paper.

AVOID PAPER JAMS

- Flex the paper.
- Make sure the drawer is properly installed.
- Make sure paper is loaded correctly.
- Make sure the paper stack you load does not exceed the maximum fill line indicated in the tray.
- Make sure the paper or specialty media meets specifications and is not damaged.
- Make sure the guides are positioned correctly for the paper size loaded.

Cannot detect flash memory card

Make sure the flash memory card is securely connected to the printer system board.

Cannot detect printer hard disk

Make sure the printer hard disk is securely connected to the printer system board.

Internal print server does not operate correctly

Try one or more of the following:

CHECK THE PRINT SERVER CONNECTIONS

- Make sure the internal print server is attached securely to the printer system board.
- Make sure you are using the correct cable and that it is securely connected.

MAKE SURE THE NETWORK SOFTWARE IS CONFIGURED CORRECTLY

For more information on installing the network printing software, do the following:

- 1 Open the *Software and Documentation* CD.
- 2 Click **Additional**.
- 3 Under Publications on this CD, select **Networking Guide**.

Internal Solutions Port does not operate correctly

Try one or more of the following:

CHECK THE INTERNAL SOLUTIONS PORT (ISP) CONNECTIONS

Make sure the ISP is securely connected to the printer system board.

CHECK THE CABLE

Make sure you are using the correct cable and that it is securely connected to the Internal Solutions (ISP) port.

MAKE SURE THE NETWORK SOFTWARE IS CONFIGURED CORRECTLY

For information on installing the network printing software, see the *Networking Guide* on the *Software and Documentation* CD.

Memory card

Make sure the memory card is securely connected to the printer system board.

Option does not operate correctly or quits after it is installed

Try one or more of the following:

RESET THE PRINTER

Turn the printer off, wait for about 10 seconds, and then turn the printer on.

CHECK TO SEE IF THE OPTION IS CONNECTED TO THE PRINTER

- 1 Turn the printer off using the power switch.
- 2 Unplug the power cord from the wall outlet, and then from the printer.
- 3 Check the connection between the option and the printer.

MAKE SURE THE OPTION IS INSTALLED CORRECTLY

Print a menu settings page and check to see if the option is listed in the Installed Options list. If the option is not listed, then reinstall it. For more information, see the hardware setup documentation that came with the option, or go to www.lexmark.com to view the option instruction sheet.

MAKE SURE THE OPTION IS SELECTED

From the computer you are printing from, select the option.

For more information, see [“Adding available options in the print driver” on page 27](#).

Paper tray problems

Try one or more of the following:

MAKE SURE THE PAPER IS LOADED CORRECTLY

- 1 Open the paper tray.
- 2 Check for paper jams or misfeeds.
- 3 Make sure the paper guides are aligned against the edges of the paper.
- 4 Make sure the paper tray closes properly.

RESET THE PRINTER

Turn the printer off, wait about 10 seconds, and then turn the printer on.

MAKE SURE THE PAPER TRAY IS INSTALLED CORRECTLY

If the paper tray is listed on the menu settings page, but paper jams when it enters or exits the tray, then it may not be properly installed. Reinstall the paper tray. For more information, see the hardware setup documentation that came with the paper tray, or go to <http://support.lexmark.com> to view the paper tray instruction sheet.

USB/parallel interface card does not operate correctly

CHECK THE USB/PARALLEL INTERFACE CARD CONNECTION

Make sure the USB/parallel interface card is securely connected to the printer system board.

CHECK THE CABLE

Make sure you are using the correct cable and that it is securely connected.

Solving paper feed problems

Paper frequently jams

Try one or more of the following:

CHECK THE PAPER

Use recommended paper and specialty media. For more information, see the chapter about paper and specialty media guidelines.

MAKE SURE THERE IS NOT TOO MUCH PAPER IN THE PAPER TRAY

Make sure the paper does not exceed the maximum paper fill indicator located in the tray or feeder.

MAKE SURE THE ENTIRE PAPER STACK IS SITTING FLAT IN THE TRAY

Before loading the paper, do the following:

- Flex the sheets back and forth to loosen them. Do not fold or crease the paper.
- Straighten the edges on a level surface.


CHECK THE PAPER GUIDES

Move the guides in the tray to the correct positions for the paper size loaded.

LOAD PAPER FROM A FRESH PACKAGE





The paper may have absorbed moisture due to high humidity. Store paper in its original wrapper until you use it.

Paper jam message remains after jam is cleared

- 1 Clear any jammed paper from all specified locations.
- 2 From the printer control panel, select **Continue** to clear the message. For non-touch-screen printer models, press  to confirm.

Jammed pages are not reprinted

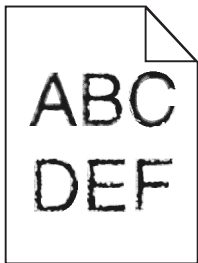
TURN ON JAM RECOVERY

- 1 Depending on your printer model, press  or touch .
- 2 From the printer control panel, navigate to:
Settings > General Settings > Print Recovery
- 3 Select the arrows next to **Jam Recovery** until **On** or **Auto** appears.
- 4 Press  or touch  to confirm.

Solving print quality problems

If the solutions here do not correct the problem, contact customer support. You may have a printer part that requires adjustment or replacement.

Characters have jagged or uneven edges



If you are using downloaded fonts, verify that the fonts are supported by the printer, the host computer, and the software program.

Clipped images

Try one or more of the following:

CHECK THE GUIDES

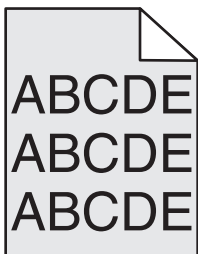
Move the width and length guides in the tray to the correct positions for the paper size loaded.

CHECK THE PAPER SIZE SETTING

Make sure the paper size setting matches the paper loaded in the tray:

- 1 From the printer control panel Paper menu, check the Paper Size setting.
- 2 Before sending the job to print, specify the correct size setting:
 - For Windows users, specify the size from Print Properties.
 - For Macintosh users, specify the size from the Page Setup dialog.

Gray background on prints



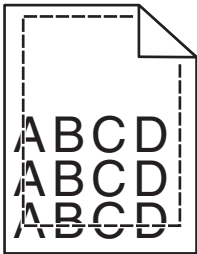
Try one or more of the following:

CHECK THE BACKGROUND DARKNESS OR REMOVAL SETTING

- Adjust the darkness to a lighter setting.
- Increase the background removal setting.

MAKE SURE THERE IS NO WORN OR DEFECTIVE PRINT OR TONER CARTRIDGE

Replace the worn or defective cartridge.

Incorrect margins

These are possible solutions. Try one or more of the following:

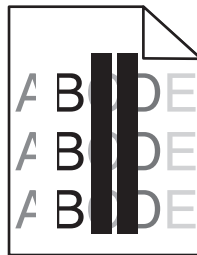
CHECK THE PAPER GUIDES

Move the guides in the tray to the correct positions for the paper size loaded.

CHECK THE PAPER SIZE SETTING

Make sure the paper size setting matches the paper loaded in the tray:

- 1 From the printer control panel Paper menu, check the Paper Size setting.
- 2 Before sending the job to print, specify the correct size setting:
 - For Windows users, specify the size from Print Properties.
 - For Macintosh users, specify the size from the Page Setup dialog.

Light colored line, white line, or incorrectly colored line appears on prints

Try one or more of the following:

MAKE SURE THERE IS NO DEFECTIVE PRINT OR TONER CARTRIDGE

Replace the worn or defective cartridge.

For more information, see the instruction sheet that came with the replacement part.

MAKE SURE THE TRANSFER MODULE IS NOT DEFECTIVE

Replace the defective transfer module.

For more information, see the instruction sheet that came with the replacement part.

Paper curl

Try one or more of the following:

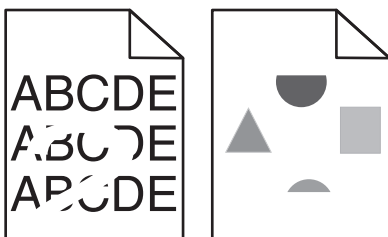
CHECK THE PAPER TYPE AND WEIGHT SETTINGS

Make sure the paper type and weight settings match the paper loaded in the tray or feeder:

- 1 From the printer control panel Paper menu, check the Paper Type and Paper Weight settings.
- 2 Before sending the print job, specify the correct paper type setting:
 - For Windows users, specify the paper type from Print Properties.
 - For Macintosh users, specify the paper type from the Print dialog.

LOAD PAPER FROM A FRESH PACKAGE

Paper absorbs moisture due to high humidity. Store paper in its original wrapper until you use it.

Print irregularities

Try one or more of the following:

LOAD PAPER FROM A FRESH PACKAGE

The paper may have absorbed moisture due to high humidity. Store paper in its original wrapper until you use it.

CHECK THE PAPER TYPE AND WEIGHT SETTINGS

Make sure the paper type and weight settings match the paper loaded in the tray or feeder:

- 1 From the Paper menu on the printer control panel, check the Paper Type and Paper Weight settings.
- 2 Before sending the print job, specify the correct paper type setting:
 - For Windows users, specify the paper type from Print Properties.
 - For Macintosh users, specify the paper type from the Print dialog.

AVOID TEXTURED PAPER WITH ROUGH FINISHES

MAKE SURE THERE IS NO DEFECTIVE PRINT OR TONER CARTRIDGE

Replace the worn or defective cartridge.

MAKE SURE THE TRANSFER MODULE IS NOT DEFECTIVE

Replace the defective transfer module.

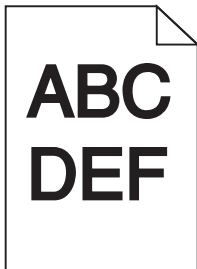
For more information, see the instruction sheet that came with the replacement part.

MAKE SURE THE FUSER IS NOT DEFECTIVE

Replace the defective fuser.

For more information, see the instruction sheet that came with the replacement part.

Print is too dark



Try one or more of the following:

CHECK THE DARKNESS, BRIGHTNESS, AND CONTRAST SETTINGS

- From the Quality menu on the printer control panel, select a lower value for these settings.
- For Windows users, change these settings from Print Properties.
- For Macintosh users:
 - 1 Choose **File > Print**.
 - 2 From the print options pop-up menu, choose **Printer Features**.
 - 3 Choose a lower value for the Toner Darkness, Brightness, and Contrast settings.

LOAD PAPER FROM A FRESH PACKAGE

The paper may have absorbed moisture due to high humidity. Store paper in its original wrapper until you use it.

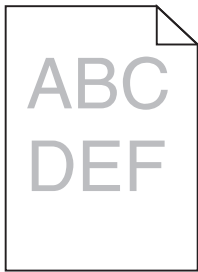
AVOID TEXTURED PAPER WITH ROUGH FINISHES

CHECK THE PAPER TYPE SETTING

Make sure the paper type setting matches the paper loaded in the tray or feeder:

- From the Paper menu on printer control panel, check the Paper Type setting.
- For Windows users, check this setting from Print Properties.
- For Macintosh users, check this setting from the Print dialog.

Print is too light



Try one or more of the following:

CHECK THE DARKNESS, BRIGHTNESS, AND CONTRAST SETTINGS

The Toner Darkness setting may be too light, the Brightness setting may be too light, or the Contrast setting may be too low.

- Change these settings from the printer control panel Quality menu.
- For Windows users, change these settings from Print Properties
- For Macintosh users:
 - 1 Choose **File > Print**.
 - 2 From the print options pop-up menu, choose **Printer Features**.
 - 3 Choose a higher value for the Toner Darkness, Brightness, and Contrast settings.

LOAD PAPER FROM A FRESH PACKAGE

The paper may have absorbed moisture from high humidity. Store paper in its original wrapper until you use it.

AVOID TEXTURED PAPER WITH ROUGH FINISHES

CHECK THE PAPER TYPE SETTING

Make sure the Paper Type setting matches the paper loaded in the tray or feeder:

- From the printer control panel Paper menu, check the Paper Type setting.
- For Windows users, check this setting from Print Properties.
- For Macintosh users, check this setting from the Print dialog.

MAKE SURE THE PRINT OR TONER CARTRIDGE IS NOT LOW ON TONER

1 Remove the cartridge.

Warning—Potential Damage: Be careful not to touch the photoconductor drum. Doing so may affect the print quality of future print jobs.

2 Firmly shake the cartridge side-to-side and front-to-back several times to redistribute the toner.

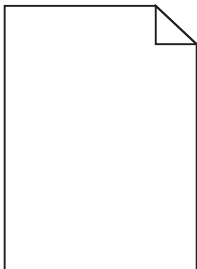
3 Reinsert the cartridge.

Note: If print quality does not improve, then replace the cartridge of the color that is not printing.

CONTACT CUSTOMER SUPPORT

If the problem continues, then the printer may need to be serviced.

Printer is printing blank pages



Try one or more of the following:

MAKE SURE THERE IS NO PACKING MATERIAL LEFT ON THE PRINT OR TONER CARTRIDGE

Remove the cartridge and make sure the packing material is properly removed. Reinstall the cartridge.

MAKE SURE THE PRINT OR TONER CARTRIDGE IS NOT LOW ON TONER

1 Remove the cartridge.

Warning—Potential Damage: Be careful not to touch the photoconductor drum. Doing so may affect the print quality of future print jobs.

2 Firmly shake the cartridge side-to-side and front-to-back several times to redistribute the toner.

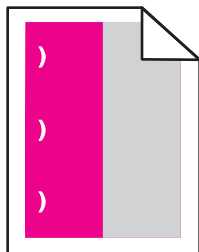
3 Reinsert the cartridge.

Note: If print quality does not improve, then replace the cartridge of the color that is not printing.

CONTACT CUSTOMER SUPPORT

If the problem continues, then the printer may need to be serviced.

Repeating defects appear on prints



Try one or more of the following:

REPLACE THE PRINT OR TONER CARTRIDGE

Replace the cartridge of the color with the repeating defect, if the defects occur in the following instances:

- Every 33 mm (1.30 in.) of the page
- Every 35.3 mm (1.39 in.) of the page

REPLACE THE PHOTOCONDUCTOR

Replace the photoconductor of the color with the repeating defect, if the defects occur in the following instances:

- Every 28.3 mm (1.11 in.) of the page
- Every 72.4 mm (2.85 in.) of the page

REPLACE THE FUSER

Replace the fuser if print defects occur in the following instances:

- Every 47.4 mm (1.87 in.) of the page
- Every 94.8 mm (3.73 in.) of the page
- Every 113 mm (4.45 in.) of the page

Shadow images appear on prints



CHECK THE PAPER TYPE AND WEIGHT SETTINGS

Make sure the paper type and weight settings match the paper loaded in the tray:

- 1 From the Paper menu on the printer control panel, check the Paper Type and Paper Weight settings.
- 2 Before sending the job to print, specify the correct paper type setting:
 - For Windows users, specify the paper type from Print Properties.
 - For Macintosh users, specify the paper type from the Print dialog.

MAKE SURE THE PHOTOCONDUCTOR IS NOT DEFECTIVE

Replace the defective photoconductor.

MAKE SURE THE PRINT OR TONER CARTRIDGE IS NOT LOW ON TONER

- 1 Remove the cartridge.

Warning—Potential Damage: Be careful not to touch the photoconductor drum. Doing so may affect the print quality of future print jobs.

- 2 Firmly shake the cartridge side-to-side and front-to-back several times to redistribute the toner.
- 3 Reinsert the cartridge.

Note: If print quality does not improve, then replace the cartridge.

CONTACT CUSTOMER SUPPORT

If the problem continues, the printer may need to be serviced.

Skewed print

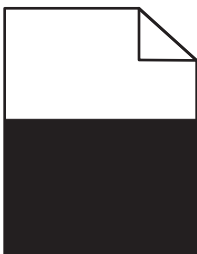
CHECK THE PAPER GUIDES

Move the guides in the tray to the correct positions for the paper size loaded.

CHECK THE PAPER

Make sure you are using paper that meets the printer specifications.

Solid color or black pages appear on prints



MAKE SURE THE PHOTOCONDUCTOR IS NOT DEFECTIVE AND IS INSTALLED CORRECTLY

Remove and then reinstall the photoconductor. If the problem continues, then the photoconductor may need to be replaced.

MAKE SURE THE PRINT OR TONER CARTRIDGES ARE INSTALLED CORRECTLY, ARE NOT DEFECTIVE, AND NOT LOW ON TONER

- Remove the cartridges, shake each cartridge from side to side to redistribute the toner, and then reinstall them.

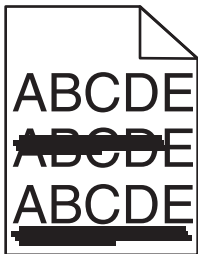
Warning—Potential Damage: Be careful not to touch the photoconductor drum. Doing so may affect the print quality of future print jobs.

- Reinsert the cartridges.

Note: If the quality does not improve, then replace the cartridges.

CONTACT CUSTOMER SUPPORT

If the problem continues, then the printer may need to be serviced.

Streaked horizontal lines appear on prints

Try one or more of the following:

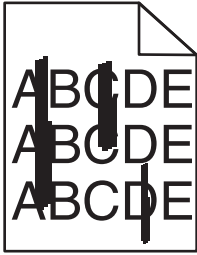
SELECT ANOTHER TRAY OR FEEDER

- From the printer control panel, navigate to:
Paper Menu > Default Source > select a tray or feeder > Submit
- For Windows users, select the paper source from Print Properties.
- For Macintosh users, select the paper source from the Print dialog and pop-up menus.

MAKE SURE THERE IS NO WORN, DEFECTIVE, OR EMPTY PRINT OR TONER CARTRIDGE

Replace the worn, defective, or empty cartridge.

Streaked vertical lines appear on prints



Try one or more of the following:

SELECT ANOTHER TRAY OR FEEDER

- From the printer control panel, navigate to:
Paper Menu > Default Source > select a tray or feeder > Submit
- For Windows users, select the paper source from Print Properties.
- For Macintosh users, select the paper source from the Print dialog and pop-up menus.

MAKE SURE THERE IS NO WORN, DEFECTIVE, OR EMPTY PRINT OR TONER CARTRIDGE

Replace the worn, defective, or empty cartridge.

MAKE SURE THE TRANSFER MODULE IS NOT WORN OR DEFECTIVE

Replace the worn or defective transfer module.

Toner fog or background shading appears on the page

Try one or more of the following:

MAKE SURE THE PRINT OR TONER CARTRIDGE IS INSTALLED CORRECTLY OR IS NOT DEFECTIVE

Reinstall or replace the defective print or toner cartridge.

MAKE SURE THE TRANSFER MODULE IS NOT WORN OR DEFECTIVE

Replace the worn or defective transfer module.

MAKE SURE THE PHOTOCONDUCTOR IS NOT WORN OR DEFECTIVE

Replace the worn or defective photoconductor.

MAKE SURE THE FUSER IS NOT WORN OR DEFECTIVE

Replace the worn or defective fuser.

MAKE SURE THE PRINTER HAS BEEN RECALIBRATED RECENTLY

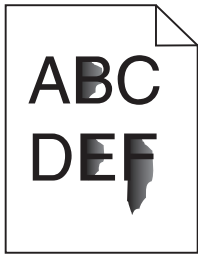
Select **Color Adjust** in the Quality menu.

MAKE SURE THE APPLICATION HAS NOT SPECIFIED AN OFF-WHITE BACKGROUND

Check the application settings.

MAKE SURE NO TONER IS IN THE PAPER PATH

Contact customer support.

Toner rubs off

Try one or more of the following:

CHECK THE PAPER TYPE AND WEIGHT SETTINGS

Make sure the paper type and weight settings match the paper loaded in the tray or feeder:

- 1 From the printer control panel Paper menu, check the Paper Type and Paper Weight settings. Change the Paper Weight setting from Normal to Heavy.
- 2 Before sending the print job, specify the correct paper type setting:
 - For Windows users, specify the paper type from Print Properties.
 - For Macintosh users, specify the paper type from the Print dialog.

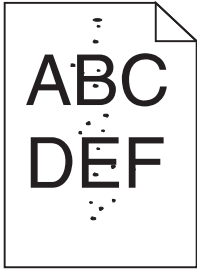
CHECK THE PAPER TEXTURE SETTING

From the printer control panel Paper menu, make sure the Paper Texture setting matches the paper loaded in the tray or feeder. If necessary, change the Paper Texture setting from Normal to Rough.

MAKE SURE THE FUSER IS NOT WORN OR DEFECTIVE

Replace the worn or defective fuser. For more information, see the instruction sheet that came with the replacement part.

Toner specks



Try one or more of the following:

MAKE SURE THERE IS NO WORN OR DEFECTIVE PRINT OR TONER CARTRIDGE

Replace the worn or defective cartridge.

MAKE SURE THERE IS NO TONER IN THE PAPER PATH

CONTACT CUSTOMER SUPPORT

If the problem continues, then the printer may need to be serviced.

Transparency print quality is poor

Try one or more of the following:

CHECK THE TRANSPARENCIES

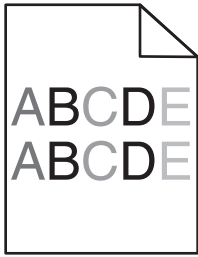
Use only transparencies that meet the printer specifications.

CHECK THE PAPER TYPE SETTING

Make sure the paper type setting is set to Transparency:

- 1** From the printer control panel Paper menu, check the Paper Type setting.
- 2** Before sending the job to print, specify the correct type setting:
 - For Windows users, specify the type from Print Properties.
 - For Macintosh users, specify the type from the Print dialog.

Uneven print density



MAKE SURE THERE IS NO DEFECTIVE OR WORN PRINT OR TONER CARTRIDGE

Replace the worn or defective cartridge.

Solving color quality problems

FAQ about color printing

What is RGB color?

Red, green, and blue light can be added together in various amounts to produce a large range of colors observed in nature. For example, red and green can be combined to create yellow. Televisions and computer monitors create colors in this manner. RGB color is a method of describing colors by indicating the amount of red, green, or blue needed to produce a certain color.

What is CMYK color?

Cyan, magenta, yellow, and black inks or toners can be printed in various amounts to produce a large range of colors observed in nature. For example, cyan and yellow can be combined to create green. Printing presses, inkjet printers, and color laser printers create colors in this manner. CMYK color is a method of describing colors by indicating the amount of cyan, magenta, yellow, and black needed to reproduce a particular color.

How is color specified in a document to be printed?

Software programs typically specify document color using RGB or CMYK color combinations. Additionally, they allow users to modify the color of each object in a document. For more information, see the software program Help topics.

How does the printer know what color to print?

When a user prints a document, information describing the type and color of each object is sent to the printer. The color information is passed through color conversion tables that translate the color into the appropriate amounts of cyan, magenta, yellow, and black toner needed to produce the desired color. The object information determines the application of color conversion tables. For example, it is possible to apply one type of color conversion table to text while applying a different color conversion table to photographic images.

Why doesn't the printed color match the color I see on the computer screen?

The color conversion tables used in Auto Color Correction mode generally approximate the colors of a standard computer monitor. However, because of technology differences that exist between printers and monitors, there are many colors that can also be affected by monitor variations and lighting conditions. For recommendations on how the printer color sample pages may be useful in solving certain color-matching problems, see the question, "How can I match a particular color (such as a corporate logo)?"

The printed page appears tinted. Can I adjust the color?

Sometimes a printed page may appear tinted (for example, everything printed seems to be too red). This can be caused by environmental conditions, paper type, lighting conditions, or user preference. In these instances, adjust the Color Balance setting to create a more preferable color. Color Balance provides the user with the ability to make subtle adjustments to the amount of toner being used in each color plane. Selecting positive or negative values for cyan, magenta, yellow, and black (from the Color Balance menu) will slightly increase or decrease the amount of toner used for the chosen color. For example, if a printed page has a red tint, then decreasing both magenta and yellow could potentially improve the color balance.

My color transparencies seem dark when they are projected. Is there anything I can do to improve the color?

This problem most commonly occurs when projecting transparencies with reflective overhead projectors. To obtain the highest projected color quality, transmissive overhead projectors are recommended. If a reflective projector must be used, then adjusting the Toner Darkness setting to 1, 2, or 3 will lighten the transparency. Make sure to print on the recommended type of color transparencies.

What is manual color correction?

When manual color correction is enabled, the printer employs user-selected color conversion tables to process objects. However, Color Correction must be set to Manual, or no user-defined color conversion will be implemented. Manual color correction settings are specific to the type of object being printed (text, graphics, or images), and how the color of the object is specified in the software program (RGB or CMYK combinations).

Notes:

- Manual color correction is not useful if the software program does not specify colors with RGB or CMYK combinations. It is also not effective in situations in which the software program or the computer operating system controls the adjustment of colors.
- The color conversion tables—applied to each object when Color Correction is set to Auto—generate preferred colors for the majority of documents.

To manually apply a different color conversion table:

- 1 From the Quality menu, select **Color Correction**, and then select **Manual**.
- 2 From the Quality menu, select **Manual Color**, and then select the appropriate color conversion table for the affected object type.

Object type	Color conversion tables
RGB Image RGB Text RGB Graphics	<ul style="list-style-type: none"> • Vivid—Produces brighter, more saturated colors and may be applied to all incoming color formats. • sRGB Display—Produces an output that approximates the colors displayed on a computer monitor. Black toner usage is optimized for printing photographs. • Display—True Black—Produces an output that approximates the colors displayed on a computer monitor. Uses only black toner to create all levels of neutral gray. • sRGB Vivid—Provides an increased color saturation for the sRGB Display color correction. Black usage is optimized for printing business graphics. • Off—No color correction is implemented.

Object type	Color conversion tables
CMYK Image CMYK Text CMYK Graphics	<ul style="list-style-type: none"> • US CMYK—Applies color correction to approximate the SWOP (Specifications for Web Offset Publishing) color output. • Euro CMYK—Applies color correction to approximated EuroScale color output. • Vivid CMYK—Increases the color saturation of the US CMYK color correction setting. • Off—No color correction is implemented.

How can I match a particular color (such as a corporate logo)?

From the printer Quality menu, nine types of Color Samples sets are available. These are also available from the Color Samples page of the Embedded Web Server. Selecting any sample set generates a multiple-page printout consisting of hundreds of colored boxes. Either a CMYK or RGB combination is located on each box, depending on the table selected. The observed color of each box is obtained by passing the CMYK or RGB combination labeled on the box through the selected color conversion table.

By examining Color Samples sets, a user can identify the box whose color is the closest to the desired color. The color combination labeled on the box can then be used for modifying the color of the object in a software program. For more information, see the software program Help topics. Manual color correction may be necessary to utilize the selected color conversion table for the particular object.

Selecting which Color Samples set to use for a particular color-matching problem depends on the Color Correction setting being used (Auto, Off, or Manual), the type of object being printed (text, graphics, or images), and how the color of the object is specified in the software program (RGB or CMYK combinations). When the printer Color Correction setting is set to Off, the color is based on the print job information; and no color conversion is implemented.

Note: The Color Samples pages are not useful if the software program does not specify colors with RGB or CMYK combinations. Additionally, certain situations exist in which the software program or the computer operating system adjusts the RGB or CMYK combinations specified in the program through color management. The resulting printed color may not be an exact match of the Color Samples pages.

What are detailed Color Samples and how do I access them?

Detailed Color Samples sets are available only through the Embedded Web Server of a network printer. A detailed Color Samples set contains a range of shades (displayed as colored boxes) that are similar to a user-defined RGB or CMYK value. The likeness of the colors in the set are dependent on the value entered in the RGB or CMYK Increment box.

To access a detailed Color Samples set from the Embedded Web Server:

- 1 Type the printer IP address or host name in the address field of your Web browser.

Note: If you do not know the IP address or host name of the printer, then you can:

- View the information on the printer control panel home screen, or in the TCP/IP section under the Networks/Ports menu.
- Print a network setup page or menu settings page and locate the information in the TCP/IP section.

- 2 Click **Configuration > Color Samples > Detailed Options**.

- 3 Select a color conversion table.

- 4 Enter the RGB or CMYK color number.

5 Enter an increment value from 1–255.

Note: The closer the value is to 1, the narrower the color sample range will appear.

6 Click **Print**.

Embedded Web Server does not open

Try one or more of the following:

CHECK THE NETWORK CONNECTION

Make sure the printer and computer are turned on and connected to the same network.

CHECK THE ADDRESS ENTERED IN THE WEB BROWSER

- Depending on the network settings, you may need to type “**https://**” instead of “**http://**” before the printer IP address to access the Embedded Web Server. For more information, contact your system support person.
- Make sure printer IP address is correct.

TEMPORARILY DISABLE WEB PROXY SERVERS

Proxy servers may block or restrict you from accessing certain Web sites including the Embedded Web Server. For more information, contact your system support person.

Contacting customer support

When you call customer support, describe the problem you are experiencing, the message on the display, and the troubleshooting steps you have already taken to find a solution.

You need to know your printer model type and serial number. For more information, see the label on the inside top front cover of the printer. The serial number is also listed on the menu settings page.

In the U.S. or Canada, call 1-800-539-6275. For other countries or regions, visit the Lexmark Web site at <http://support.lexmark.com>.

Notices

Product information

Product name:

Lexmark C746n, C746dn, C746dtn, C748e, C748de, C748dte

Machine type:

5026

Model(s):

310, 311, 330, 331, 510, 511, 530, 531, 538, 539

Edition notice

October 2014

The following paragraph does not apply to any country where such provisions are inconsistent with local law:

LEXMARK INTERNATIONAL, INC., PROVIDES THIS PUBLICATION "AS IS" WITHOUT WARRANTY OF ANY KIND, EITHER EXPRESS OR IMPLIED, INCLUDING, BUT NOT LIMITED TO, THE IMPLIED WARRANTIES OF MERCHANTABILITY OR FITNESS FOR A PARTICULAR PURPOSE. Some states do not allow disclaimer of express or implied warranties in certain transactions; therefore, this statement may not apply to you.

This publication could include technical inaccuracies or typographical errors. Changes are periodically made to the information herein; these changes will be incorporated in later editions. Improvements or changes in the products or the programs described may be made at any time.

References in this publication to products, programs, or services do not imply that the manufacturer intends to make these available in all countries in which it operates. Any reference to a product, program, or service is not intended to state or imply that only that product, program, or service may be used. Any functionally equivalent product, program, or service that does not infringe any existing intellectual property right may be used instead. Evaluation and verification of operation in conjunction with other products, programs, or services, except those expressly designated by the manufacturer, are the user's responsibility.

For Lexmark technical support, visit <http://support.lexmark.com>.

For information on supplies and downloads, visit www.lexmark.com.

© 2014 Lexmark International, Inc.

All rights reserved.

GOVERNMENT END USERS

The Software Program and any related documentation are "Commercial Items," as that term is defined in 48 C.F.R. 2.101, "Computer Software" and "Commercial Computer Software Documentation," as such terms are used in 48 C.F.R. 12.212 or 48 C.F.R. 227.7202, as applicable. Consistent with 48 C.F.R. 12.212 or 48 C.F.R. 227.7202-1 through 227.7207-4, as applicable, the Commercial Computer Software and Commercial Software Documentation are licensed to the U.S. Government end users (a) only as Commercial Items and (b) with only those rights as are granted to all other end users pursuant to the terms and conditions herein.

Trademarks

Lexmark, Lexmark with diamond design, MarkNet, and MarkVision are trademarks of Lexmark International, Inc., registered in the United States and/or other countries.

MarkTrack and PrintCryption are trademarks of Lexmark International, Inc.

Mac and the Mac logo are trademarks of Apple Inc., registered in the U.S. and other countries.

PCL® is a registered trademark of the Hewlett-Packard Company. PCL is Hewlett-Packard Company’s designation of a set of printer commands (language) and functions included in its printer products. This printer is intended to be compatible with the PCL language. This means the printer recognizes PCL commands used in various application programs, and that the printer emulates the functions corresponding to the commands.

The following terms are trademarks or registered trademarks of these companies:

Albertus	The Monotype Corporation plc
Antique Olive	Monsieur Marcel OLIVE
Apple-Chancery	Apple Computer, Inc.
Arial	The Monotype Corporation plc
CG Times	Based on Times New Roman under license from The Monotype Corporation plc, is a product of Agfa Corporation
Chicago	Apple Computer, Inc.
Clarendon	Linotype-Hell AG and/or its subsidiaries
Eurostile	Nebiolo
Geneva	Apple Computer, Inc.
Gillsans	The Monotype Corporation plc
Helvetica	Linotype-Hell AG and/or its subsidiaries
Hoefler	Jonathan Hoefler Type Foundry
ITC Avant Garde Gothic	International Typeface Corporation
ITC Bookman	International Typeface Corporation
ITC Mona Lisa	International Typeface Corporation
ITC Zapf Chancery	International Typeface Corporation
Joanna	The Monotype Corporation plc
Marigold	Arthur Baker
Monaco	Apple Computer, Inc.
New York	Apple Computer, Inc.
Oxford	Arthur Baker
Palatino	Linotype-Hell AG and/or its subsidiaries
Stempel Garamond	Linotype-Hell AG and/or its subsidiaries
Taffy	Agfa Corporation
Times New Roman	The Monotype Corporation plc

Univers	Linotype-Hell AG and/or its subsidiaries
---------	--

All other trademarks are the property of their respective owners.

AirPrint and the AirPrint logo are trademarks of Apple, Inc.

Federal Communications Commission (FCC) compliance information statement

This product has been tested and found to comply with the limits for a Class B digital device, pursuant to Part 15 of the FCC Rules. Operation is subject to the following two conditions: (1) this device may not cause harmful interference, and (2) this device must accept any interference received, including interference that may cause undesired operation.

The FCC Class B limits are designed to provide reasonable protection against harmful interference when the equipment is operated in a residential installation. This equipment generates, uses, and can radiate radio frequency energy and, if not installed and used in accordance with the instructions, may cause harmful interference to radio communications. However, there is no guarantee that interference will not occur in a particular installation. If this equipment does cause harmful interference to radio or television reception, which can be determined by turning the equipment off and on, the user is encouraged to try to correct the interference by one or more of the following measures:

- Reorient or relocate the receiving antenna.
- Increase the separation between the equipment and receiver.
- Connect the equipment into an outlet on a circuit different from that to which the receiver is connected.
- Consult your point of purchase or service representative for additional suggestions.

The manufacturer is not responsible for radio or television interference caused by using other than recommended cables or by unauthorized changes or modifications to this equipment. Unauthorized changes or modifications could void the user's authority to operate this equipment.

Note: To assure compliance with FCC regulations on electromagnetic interference for a Class B computing device, use a properly shielded and grounded cable such as Lexmark part number 1021231 for parallel attach or 1021294 for USB attach. Use of a substitute cable not properly shielded and grounded may result in a violation of FCC regulations.

Any questions regarding this compliance information statement should be directed to:

Director of Lexmark Technology & Services
Lexmark International, Inc.
740 West New Circle Road
Lexington, KY 40550
(859) 232-3000

Modular component notice

This product may contain the following modular component(s):

Lexmark regulatory type/model LEX-M01-003; FCC ID: IYLM01003; IC: 2376A-M01003

Licensing notices

All licensing notices associated with this product can be viewed from the root directory of the documentation CD.

Noise emission levels

The following measurements were made in accordance with ISO 7779 and reported in conformance with ISO 9296.

Note: Some modes may not apply to your product.

1-meter average sound pressure, dBA	
Printing	55
Ready	33

Values are subject to change. See www.lexmark.com for current values.

Waste from Electrical and Electronic Equipment (WEEE) directive



The WEEE logo signifies specific recycling programs and procedures for electronic products in countries of the European Union. We encourage the recycling of our products.

If you have further questions about recycling options, visit the Lexmark Web site at www.lexmark.com for your local sales office phone number.

Product disposal

Do not dispose of the printer or supplies in the same manner as normal household waste. Consult your local authorities for disposal and recycling options.

India E-Waste notice

This product complies with the India E-Waste (Management and Handling) Rules, 2011, which prohibit use of lead, mercury, hexavalent chromium, polybrominated biphenyls, or polybrominated diphenyl ethers in concentrations exceeding 0.1% by weight and 0.01% by weight for cadmium, except for the exemption set in Schedule II of the Rules.

Battery notice

This product contains Perchlorate material. Special handling may apply. For more information, go to <http://www.dtsc.ca.gov/hazardouswaste/perchlorate/>.

Static sensitivity notice



This symbol identifies static-sensitive parts. Do not touch in the areas near these symbols without first touching the metal frame of the printer.

ENERGY STAR

Any Lexmark product bearing the ENERGY STAR emblem on the product or on a start-up screen is certified to comply with Environmental Protection Agency (EPA) ENERGY STAR requirements as configured when shipped by Lexmark.



Temperature information

Ambient operating temperature	15.6 to 32.2°C (60 to 90°F)
Shipping and storage temperature	-40 to 40°C (-40 to 104°F)

Mercury statement

This product contains mercury in the lamp (<5mg Hg). Disposal of mercury may be regulated due to environmental considerations. For disposal or recycling information, contact your local authorities or the Electronic Industries Alliance: www.eiae.org.

Laser notice

The printer is certified in the U.S. to conform to the requirements of DHHS 21 CFR, Chapter I, Subchapter J for Class I (1) laser products, and elsewhere is certified as a Class I laser product conforming to the requirements of IEC 60825-1.

Class I laser products are not considered to be hazardous. The printer contains internally a Class IIIb (3b) laser that is nominally a 7 milliwatt gallium arsenide laser operating in the wavelength of 655-675 nanometers. The laser system and printer are designed so there is never any human access to laser radiation above a Class I level during normal operation, user maintenance, or prescribed service condition.

Laser advisory label

A laser notice label may be affixed to this printer as shown:

DANGER - Invisible laser radiation when cartridges are removed and interlock defeated. Avoid exposure to laser beam.
 PERIGO - Radiação a laser invisível será liberada se os cartuchos forem removidos e o lacre rompido. Evite a exposição aos feixes de laser.
 Opasnost - Nevidljivo lasersko zračenje kada su kasete uklonjene i poništena sigurnosna veza. Izbjegavati izlaganje zracima.
 NEBEZPEČÍ - Když jsou vyjmuty kazety a je odblokována pojistka, ze zařízení je vysíláno neviditelné laserové záření. Nevystavujte se působení laserového paprsku.
 FARE - Usynlig laserstråling, når patroner fjernes, og spærreanordningen er slået fra. Undgå at blive udsat for laserstrålen.
 GEVAAR - Onzichtbare laserstraling wanneer cartridges worden verwijderd en een vergrendeling wordt genegeerd. Voorkom blootstelling aan de laser.
 DANGER - Rayonnements laser invisibles lors du retrait des cartouches et du déverrouillage des loquets. Eviter toute exposition au rayon laser.
 VAARA - Näkymätöntä lasersäteilyä on varottava, kun värikasetit on poistettu ja lukitus on auki. Vältä lasersäteelle altistumista.
 GEFAHR - Unsichtbare Laserstrahlung beim Herausnehmen von Druckkassetten und offener Sicherheitssperre. Laserstrahl meiden.
 ΚΙΝΔΥΝΟΣ - Εκκυσή αόρατης ακτινοβολίας laser κατά την αφαίρεση των κασετών και την απασφάλιση της μανδάλωσης. Αποφεύγετε την έκθεση στην ακτινοβολία laser.
 VESZÉLY - Nem látható lézersugárzás fordulhat elő a patronok eltávolításakor és a zárószervezet felbontásakor. Kerülje a lézersugárnak való kitettséget.
 PERICOLO - Emissione di radiazioni laser invisibili durante la rimozione delle cartucce e del blocco. Evitare l'esposizione al raggio laser.
 FARE – Usynlig laserstråling når kassetene tas ut og sperrer er satt ut av spill. Unngå eksponering for laserstrålen.
 NIEBEZPIECZEŃSTWO - niewidzialne promieniowanie laserowe podczas usuwania kaset i blokady. Należy unikać naświetlenia promieniem lasera.
 ОПАСНО! Невидимое лазерное излучение при извлеченных картриджах и снятии блокировки. Избегайте воздействия лазерных лучей.
 Pozor – Nebezpečnostvo neviditeľného laserového žiarenia pri odobratých kazetách a odblokovanej pojistke. Nevystavujte sa lúčom.
 PELIGRO: Se producen radiaciones láser invisibles al extraer los cartuchos con el interbloqueo desactivado. Evite la exposición al haz de láser.
 FARA – Osynlig laserstrålning när patroner tas ur och spärrmekanismen är upphävd. Undvik exponering för laserstrålen.
 危険 - 当移除碳粉盒及互锁失效时会产生看不见的激光辐射, 请避免暴露在激光光束下。
 危険 - 移除碳粉匣與安全連續開關失效時會產生看不見的雷射輻射。請避免暴露在雷射光束下。
 危険 - カートリッジが取り外され、内部ロックが無効になると、見えないレーザー光が放射されます。このレーザー光に当たらないようにしてください。

Power consumption

Product power consumption

The following table documents the power consumption characteristics of the product.

Note: Some modes may not apply to your product.

Mode	Description	Power consumption (Watts)
Printing	The product is generating hard-copy output from electronic inputs.	535
Copy	The product is generating hard-copy output from hard-copy original documents.	N/A
Scan	The product is scanning hard-copy documents.	N/A
Ready	The product is waiting for a print job.	48
Sleep Mode	The product is in a high-level energy-saving mode.	6.8 (C746); 7.3 (C748)
Hibernate	The product is in a low-level energy-saving mode.	0.55
Off	The product is plugged into an electrical outlet, but the power switch is turned off.	0

The power consumption levels listed in the previous table represent time-averaged measurements. Instantaneous power draws may be substantially higher than the average.

Values are subject to change. See www.lexmark.com for current values.

Sleep Mode

This product is designed with an energy-saving mode called *Sleep Mode*. The Sleep Mode saves energy by lowering power consumption during extended periods of inactivity. The Sleep Mode is automatically engaged after this product is not used for a specified period of time, called the *Sleep Mode Timeout*.

Factory default Sleep Mode Timeout for this product (in minutes):	20
---	----

By using the configuration menus, the Sleep Mode Timeout can be modified between 1 minute and 240 minutes. Setting the Sleep Mode Timeout to a low value reduces energy consumption, but may increase the response time of the product. Setting the Sleep Mode Timeout to a high value maintains a fast response, but uses more energy.

Hibernate Mode

This product is designed with an ultra-low power operating mode called *Hibernate mode*. When operating in Hibernate Mode, all other systems and devices are powered down safely.

The Hibernate mode can be entered in any of the following methods:

- Using the Hibernate Timeout
- Using the Schedule Power modes
- Using the Sleep/Hibernate button

Factory default Hibernate Timeout for this product in all countries or regions	3 days
--	--------

The amount of time the printer waits after a job is printed before it enters Hibernate mode can be modified between one hour and one month.

Off mode

If this product has an off mode which still consumes a small amount of power, then to completely stop product power consumption, disconnect the power supply cord from the electrical outlet.

Total energy usage

It is sometimes helpful to calculate the total product energy usage. Since power consumption claims are provided in power units of Watts, the power consumption should be multiplied by the time the product spends in each mode in order to calculate energy usage. The total product energy usage is the sum of each mode's energy usage.

Model-specific information

The following information applies only to 310, 330, 510, 530, and 539 printer models.

European Community (EC) directives conformity

This product is in conformity with the protection requirements of EC Council directives 2004/108/EC, 2006/95/EC, 2009/125/EC, and 2011/65/EU on the approximation and harmonization of the laws of the Member States relating to electromagnetic compatibility, safety of electrical equipment designed for use within certain voltage limits, the ecodesign of energy-related products, and on the restrictions of use of certain hazardous substances in electrical and electronic equipment.

The manufacturer of this product is: Lexmark International, Inc., 740 West New Circle Road, Lexington, KY, 40550 USA. The authorized representative is: Lexmark International Technology Hungária Kft., 8 Lechner Ödön fasor, Millennium Tower III, 1095 Budapest HUNGARY. A declaration of conformity to the requirements of the Directives is available upon request from the Authorized Representative.

This product satisfies the Class B limits of EN 55022 and safety requirements of EN 60950-1.

Notice to Users in the European Union

Products bearing the CE mark are in conformity with the protection requirements of EC Council directives 2004/108/EC, 2006/95/EC, 1999/5/EC, and 2009/125/EC on the approximation and harmonization of the laws of the Member States relating to electromagnetic compatibility, safety of electrical equipment designed for use within certain voltage limits, radio equipment and telecommunications terminal equipment and on the ecodesign of energy-related products.

Compliance is indicated by the CE marking.



The manufacturer of this product is: Lexmark International, Inc., 740 West New Circle Road, Lexington, KY, 40550 USA. The authorized representative is: Lexmark International Technology Hungária Kft., 8 Lechner Ödön fasor, Millennium Tower III, 1095 Budapest HUNGARY. A declaration of conformity to the requirements of the Directives is available upon request from the Authorized Representative.

This product satisfies the Class B limits of EN 55022 and safety requirements of EN 60950-1.

Refer to the table at the end of the Notices section for further compliance information.

Industry Canada compliance statement

This Class B digital apparatus meets all requirements of the Canadian Interference-Causing Equipment Standard ICES-003.

Avis de conformité aux normes de l'industrie du Canada

Cet appareil numérique de classe B est conforme aux exigences de la norme canadienne relative aux équipements pouvant causer des interférences NMB-003.

Regulatory notices for wireless products

This section contains the following regulatory information pertaining to wireless products that contain transmitters, for example, but not limited to, wireless network cards or proximity card readers.

Exposure to radio frequency radiation

The radiated output power of this device is far below the radio frequency exposure limits of the FCC and other regulatory agencies. A minimum separation of 20 cm (8 inches) must be maintained between the antenna and any persons for this device to satisfy the RF exposure requirements of the FCC and other regulatory agencies.

Industry Canada (Canada)

This device complies with Industry Canada specification RSS-210. Operation is subject to the following two conditions: (1) this device may not cause interference, and (2) this device must accept any interference, including interference that may cause undesired operation of the device.

This device has been designed to operate only with the antenna provided. Use of any other antenna is strictly prohibited per regulations of Industry Canada.

To prevent radio interference to the licensed service, this device is intended to be operated indoors and away from windows to provide maximum shielding. Equipment (or its transmit antenna) that is installed outdoors is subject to licensing.

The installer of this radio equipment must ensure that the antenna is located or pointed such that it does not emit RF fields in excess of Health Canada limits for the general population; consult Safety Code 6, obtainable from Health Canada's Web site www.hc-sc.gc.ca/rpb.

The term "IC:" before the certification/registration number only signifies that the Industry Canada technical specifications were met.

Industry Canada (Canada)

Cet appareil est conforme à la norme RSS-210 d'Industry Canada. Son fonctionnement est soumis aux deux conditions suivantes :

(1) cet appareil ne doit pas provoquer d'interférences et (2) il doit accepter toute interférence reçue, y compris celles risquant d'altérer son fonctionnement.

Cet appareil a été conçu pour fonctionner uniquement avec l'antenne fournie. L'utilisation de toute autre antenne est strictement interdite par la réglementation d'Industry Canada.

En application des réglementations d'Industry Canada, l'utilisation d'une antenne de gain supérieur est strictement interdite.

Pour empêcher toute interférence radio au service faisant l'objet d'une licence, cet appareil doit être utilisé à l'intérieur et loin des fenêtres afin de garantir une protection optimale.

Si le matériel (ou son antenne d'émission) est installé à l'extérieur, il doit faire l'objet d'une licence.

L'installateur de cet équipement radio doit veiller à ce que l'antenne soit implantée et dirigée de manière à n'émettre aucun champ HF dépassant les limites fixées pour l'ensemble de la population par Santé Canada. Reportez-vous au Code de sécurité 6 que vous pouvez consulter sur le site Web de Santé Canada www.hc-sc.gc.ca/rpb.

Le terme « IC » précédant le numéro de d'accréditation/inscription signifie simplement que le produit est conforme aux spécifications techniques d'Industry Canada.

Multiple model information

The following information applies only to 311, 331, 511, 531, and 538 printer models.

European Community (EC) directives conformity

This product is in conformity with the protection requirements of EC Council directives 2004/108/EC, 2006/95/EC, and 2011/65/EU on the approximation and harmonization of the laws of the Member States relating to electromagnetic

compatibility, safety of electrical equipment designed for use within certain voltage limits, and on the restrictions of use of certain hazardous substances in electrical and electronic equipment.

The manufacturer of this product is: Lexmark International, Inc., 740 West New Circle Road, Lexington, KY, 40550 USA. The authorized representative is: Lexmark International Technology Hungária Kft., 8 Lechner Ödön fasor, Millennium Tower III, 1095 Budapest HUNGARY, A declaration of conformity to the requirements of the Directives is available upon request from the Authorized Representative.

This product satisfies the Class A limits of EN 55022 and safety requirements of EN 60950-1.

Radio interference notice

Warning

This is a product that complies with the emission requirements of EN55022 Class A limits and immunity requirements of EN55024. This product is not intended to be used in residential/domestic environments.

This is a Class A product. In a domestic environment, this product may cause radio interference, in which case the user may be required to take adequate measures.

Notice to users in the European Union

Products bearing the CE mark are in conformity with the protection requirements of EC Council directives 2004/108/EC, 2006/95/EC, 1999/5/EC, and 2011/65/EU on the approximation and harmonization of the laws of the Member States relating to electromagnetic compatibility, safety of electrical equipment designed for use within certain voltage limits, radio equipment and telecommunications terminal equipment, and on the restrictions of use of certain hazardous substances in electrical and electronic equipment.

Compliance is indicated by the CE marking.



The manufacturer of this product is: Lexmark International, Inc., 740 West New Circle Road, Lexington, KY, 40550 USA. The authorized representative is: Lexmark International Technology Hungária Kft., 8 Lechner Ödön fasor, Millennium Tower III, 1095 Budapest HUNGARY, A declaration of conformity to the requirements of the Directives is available upon request from the Authorized Representative.

This product satisfies the Class A limits of EN 55022 and safety requirements of EN 60950-1.

Products equipped with 2.4GHz Wireless LAN option are in conformity with the protection requirements of EC Council directives 2004/108/EC, 2006/95/EC, and 1999/5/EC on the approximation and harmonization of the laws of the Member States relating to electromagnetic compatibility, safety of electrical equipment designed for use within certain voltage limits and on radio equipment and telecommunications terminal equipment.

Compliance is indicated by the CE marking.



Operation is allowed in all EU and EFTA countries, but is restricted to indoor use only.

The manufacturer of this product is: Lexmark International, Inc., 740 West New Circle Road, Lexington, KY, 40550 USA. The authorized representative is: Lexmark International Technology Hungária Kft., 8 Lechner Ödön fasor, Millennium Tower III, 1095 Budapest HUNGARY, A declaration of conformity to the requirements of the Directives is available upon request from the Authorized Representative.

This product may be used in the countries indicated in the table below.

AT	BE	BG	CH	CY	CZ	DE	DK	EE
EL	ES	FI	FR	HR	HU	IE	IS	IT
LI	LT	LU	LV	MT	NL	NO	PL	PT
RO	SE	SI	SK	TR	UK			

Česky	Společnost Lexmark International, Inc. tímto prohlašuje, že výrobek tento výrobek je ve shodě se základními požadavky a dalšími příslušnými ustanoveními směrnice 1999/5/ES.
Dansk	Lexmark International, Inc. erklærer herved, at dette produkt overholder de væsentlige krav og øvrige relevante krav i direktiv 1999/5/EF.
Deutsch	Hiermit erklärt Lexmark International, Inc., dass sich das Gerät dieses Gerät in Übereinstimmung mit den grundlegenden Anforderungen und den übrigen einschlägigen Bestimmungen der Richtlinie 1999/5/EG befindet.
Ελληνική	ΜΕ ΤΗΝ ΠΑΡΟΥΣΑ Η LEXMARK INTERNATIONAL, INC. ΔΗΛΩΝΕΙ ΟΤΙ ΑΥΤΟ ΤΟ ΠΡΟΪΟΝ ΣΥΜΜΟΡΦΩΝΕΤΑΙ ΠΡΟΣ ΤΙΣ ΟΥΣΙΩΔΕΙΣ ΑΠΑΙΤΗΣΕΙΣ ΚΑΙ ΤΙΣ ΛΟΙΠΕΣ ΣΧΕΤΙΚΕΣ ΔΙΑΤΑΞΕΙΣ ΤΗΣ ΟΔΗΓΙΑΣ 1999/5/EK.
English	Hereby, Lexmark International, Inc., declares that this type of equipment is in compliance with the essential requirements and other relevant provisions of Directive 1999/5/EC.
Español	Por medio de la presente, Lexmark International, Inc. declara que este producto cumple con los requisitos esenciales y cualesquiera otras disposiciones aplicables o exigibles de la Directiva 1999/5/CE.
Eesti	Käesolevaga kinnitab Lexmark International, Inc., et seade see toode vastab direktiivi 1999/5/EÜ põhinõuetele ja nimetatud direktiivist tulenevatele muudele asjakohastele sätetele.
Suomi	Lexmark International, Inc. vakuuttaa täten, että tämä tuote on direktiivin 1999/5/EY oleellisten vaatimusten ja muiden sitä koskevien direktiivin ehtojen mukainen.
Français	Par la présente, Lexmark International, Inc. déclare que l'appareil ce produit est conforme aux exigences fondamentales et autres dispositions pertinentes de la directive 1999/5/CE.
Magyar	Alulírott, Lexmark International, Inc. nyilatkozom, hogy a termék megfelel a vonatkozó alapvető követelményeknek és az 1999/5/EC irányelv egyéb előírásainak.
Íslenska	Hér með lýsir Lexmark International, Inc. yfir því að þessi vara er í samræmi við grunnkröfur og aðrar kröfur, sem gerðar eru í tilskipun 1999/5/EC.
Italiano	Con la presente Lexmark International, Inc. dichiara che questo prodotto è conforme ai requisiti essenziali ed alle altre disposizioni pertinenti stabilite dalla direttiva 1999/5/CE.
Latviski	Ar šo Lexmark International, Inc. deklarē, ka šis izstrādājums atbilst Direktīvas 1999/5/EK būtiskajām prasībām un citiem ar to saistītajiem noteikumiem.
Lietuvių	Šiuo Lexmark International, Inc. deklaruoja, kad šis produktas atitinka esminius reikalavimus ir kitas 1999/5/EB direktyvos nuostatas.
Malti	Bil-preżenti, Lexmark International, Inc., jiddikjara li dan il-prodott huwa konformi mal-ħtiġijiet essenzjali u ma dispożizzjonijiet oħrajn relevanti li jinsabu fid-Direttiva 1999/5/KE.

Nederlands	Hierbij verklaart Lexmark International, Inc. dat het toestel dit product in overeenstemming is met de essentiële eisen en de andere relevante bepalingen van richtlijn 1999/5/EG.
Norsk	Lexmark International, Inc. erklærer herved at dette produktet er i samsvar med de grunnleggende krav og øvrige relevante krav i direktiv 1999/5/EF.
Polski	Niniejszym Lexmark International, Inc. oświadcza, że niniejszy produkt jest zgodny z zasadniczymi wymogami oraz pozostałymi stosownymi postanowieniami Dyrektywy 1999/5/EC.
Português	A Lexmark International Inc. declara que este produto está conforme com os requisitos essenciais e outras disposições da Diretiva 1999/5/CE.
Slovensky	Lexmark International, Inc. týmto vyhlasuje, že tento produkt spĺňa základné požiadavky a všetky príslušné ustanovenia smernice 1999/5/ES.
Slovensko	Lexmark International, Inc. izjavlja, da je ta izdelek v skladu z bistvenimi zahtevami in ostalimi relevantnimi določili direktive 1999/5/ES.
Svenska	Härmed intygar Lexmark International, Inc. att denna produkt står i överensstämmelse med de väsentliga egenskapskrav och övriga relevanta bestämmelser som framgår av direktiv 1999/5/EG.

STATEMENT OF LIMITED WARRANTY FOR LEXMARK LASER PRINTERS, LEXMARK LED PRINTERS, AND LEXMARK MULTIFUNCTION LASER PRINTERS

Lexmark International, Inc., Lexington, KY

This limited warranty applies to the United States and Canada. For customers outside the U.S., refer to the country-specific warranty information that came with your product.

This limited warranty applies to this product only if it was originally purchased for your use, and not for resale, from Lexmark or a Lexmark Remarketer, referred to in this statement as “Remarketer.”

Limited warranty

Lexmark warrants that this product:

- Is manufactured from new parts, or new and serviceable used parts, which perform like new parts
- Is, during normal use, free from defects in material and workmanship

If this product does not function as warranted during the warranty period, contact a Remarketer or Lexmark for repair or replacement (at Lexmark's option).

If this product is a feature or option, this statement applies only when that feature or option is used with the product for which it was intended. To obtain warranty service, you may be required to present the feature or option with the product.

If you transfer this product to another user, warranty service under the terms of this statement is available to that user for the remainder of the warranty period. You should transfer proof of original purchase and this statement to that user.

Limited warranty service

The warranty period starts on the date of original purchase as shown on the purchase receipt and ends 12 months later provided that the warranty period for any supplies and for any maintenance items included with the printer shall end earlier if it, or its original contents, are substantially used up, depleted, or consumed. Fuser Units, Transfer/Transport

Units, Paper Feed items, if any, and any other items for which a Maintenance Kit is available are substantially consumed when the printer displays a “Life Warning” or “Scheduled Maintenance” message for such item.

To obtain warranty service you may be required to present proof of original purchase. You may be required to deliver your product to the Remarketer or Lexmark, or ship it prepaid and suitably packaged to a Lexmark designated location. You are responsible for loss of, or damage to, a product in transit to the Remarketer or the Lexmark designated location.

When warranty service involves the exchange of a product or part, the item replaced becomes the property of the Remarketer or Lexmark. The replacement may be a new or repaired item.

The replacement item assumes the remaining warranty period of the original product.

Replacement is not available to you if the product you present for exchange is defaced, altered, in need of a repair not included in warranty service, damaged beyond repair, or if the product is not free of all legal obligations, restrictions, liens, and encumbrances.

As part of your warranty service and/or replacement, Lexmark may update the firmware in your printer to the latest version. Firmware updates may modify printer settings and cause counterfeit and/or unauthorized products, supplies, parts, materials (such as toners and inks), software, or interfaces to stop working. Authorized use of genuine Lexmark products will not be impacted.

Before you present this product for warranty service, remove all print cartridges, programs, data, and removable storage media (unless directed otherwise by Lexmark).

For further explanation of your warranty alternatives and the nearest Lexmark authorized servicer in your area contact Lexmark on the World Wide Web.

Remote technical support is provided for this product throughout its warranty period. For products no longer covered by a Lexmark warranty, technical support may not be available or only be available for a fee.

Extent of limited warranty

Lexmark does not warrant uninterrupted or error-free operation of any product or the durability or longevity of prints produced by any product.

Warranty service does not include repair of failures caused by:

- Modification or unauthorized attachments
- Accidents, misuse, abuse or use inconsistent with Lexmark user’s guides, manuals, instructions or guidance
- Unsuitable physical or operating environment
- Maintenance by anyone other than Lexmark or a Lexmark authorized servicer
- Operation of a product beyond the limit of its duty cycle
- Use of printing media outside of Lexmark specifications
- Refurbishment, repair, refilling or remanufacture by a third party of products, supplies or parts
- Products, supplies, parts, materials (such as toners and inks), software, or interfaces not furnished by Lexmark

TO THE EXTENT PERMITTED BY APPLICABLE LAW, NEITHER LEXMARK NOR ITS THIRD PARTY SUPPLIERS OR REMARKETERS MAKE ANY OTHER WARRANTY OR CONDITION OF ANY KIND, WHETHER EXPRESS OR IMPLIED, WITH RESPECT TO THIS PRODUCT, AND SPECIFICALLY DISCLAIM THE IMPLIED WARRANTIES OR CONDITIONS OF MERCHANTABILITY, FITNESS FOR A PARTICULAR PURPOSE, AND SATISFACTORY QUALITY. ANY WARRANTIES THAT MAY NOT BE DISCLAIMED UNDER APPLICABLE LAW ARE LIMITED IN DURATION TO THE WARRANTY PERIOD. NO WARRANTIES, EXPRESS OR IMPLIED, WILL APPLY AFTER THIS PERIOD. ALL INFORMATION, SPECIFICATIONS, PRICES, AND SERVICES ARE SUBJECT TO CHANGE AT ANY TIME WITHOUT NOTICE.

Limitation of liability

Your sole remedy under this limited warranty is set forth in this document. For any claim concerning performance or nonperformance of Lexmark or a Remarketer for this product under this limited warranty, you may recover actual damages up to the limit set forth in the following paragraph.

Lexmark's liability for actual damages from any cause whatsoever will be limited to the amount you paid for the product that caused the damages. This limitation of liability will not apply to claims by you for bodily injury or damage to real property or tangible personal property for which Lexmark is legally liable. **IN NO EVENT WILL LEXMARK BE LIABLE FOR ANY LOST PROFITS, LOST SAVINGS, INCIDENTAL DAMAGE, OR OTHER ECONOMIC OR CONSEQUENTIAL DAMAGES.** This is true even if you advise Lexmark or a Remarketer of the possibility of such damages. Lexmark is not liable for any claim by you based on a third party claim.

This limitation of remedies also applies to claims against any Suppliers and Remarketers of Lexmark. Lexmark's and its Suppliers' and Remarketers' limitations of remedies are not cumulative. Such Suppliers and Remarketers are intended beneficiaries of this limitation.

Additional rights

Some states do not allow limitations on how long an implied warranty lasts, or do not allow the exclusion or limitation of incidental or consequential damages, so the limitations or exclusions contained above may not apply to you.

This limited warranty gives you specific legal rights. You may also have other rights that vary from state to state.

Patent acknowledgment

The use of this product or service is subject to the reasonable, non-discriminatory terms in the Intellectual Property Rights (IPR) Disclosure of Certicom Corp. at the IETF for Elliptic Curve Cryptography (ECC) Cipher Suites for Transport Layer Security (TLS) implemented in the product or service.

The use of this product or service is subject to the reasonable, non-discriminatory terms in the Intellectual Property Rights (IPR) Disclosure of Certicom Corp. at the IETF for TLS Elliptic Curve Cipher Suites with SHA-256/382 and AES Galois Counter Mode (GCM) implemented in the product or service.

The use of this product or service is subject to the reasonable, non-discriminatory terms in the Intellectual Property Rights (IPR) Disclosure of Certicom Corp. at the IETF for TLS Suite B Profile for Transport Layer Security (TLS) implemented in the product or service.

The use of this product or service is subject to the reasonable, non-discriminatory terms in the Intellectual Property Rights (IPR) Disclosure of Certicom Corp. at the IETF for Addition of the Camellia Cipher Suites to Transport Layer Security (TLS) implemented in the product or service.

The use of certain patents in this product or service is subject to the reasonable, non-discriminatory terms in the Intellectual Property Rights (IPR) Disclosure of Certicom Corp. at the IETF for AES-CCM ECC Cipher Suites for TLS implemented in the product or service.

The use of this product or service is subject to the reasonable, non-discriminatory terms in the Intellectual Property Rights (IPR) Disclosure of Certicom Corp. at the IETF for IKE and IKEv2 Authentication Using the Elliptic Curve Digital Signature Algorithm (ECDSA) implemented in the product or service.

The use of this product or service is subject to the reasonable, non-discriminatory terms in the Intellectual Property Rights (IPR) Disclosure of Certicom Corp. at the IETF for Suite B Cryptographic Suites for IPsec implemented in the product or service.

The use of this product or service is subject to the reasonable, non-discriminatory terms in the Intellectual Property Rights (IPR) Disclosure of Certicom Corp. at the IETF for Algorithms for Internet Key Exchange version 1 (IKEv1) implemented in the product or service.

Index

Numerics

- 2,000-sheet drawer
 - installing 25
- 2,000-sheet high-capacity feeder
 - loading 47, 88
- 200–201 paper jams 190
- 202–203 paper jams 195
- 24x paper jam 199
- 250 paper jam 200
- 31.xx Missing or defective [color] cartridge 207
- 32.xx [Color] cartridge part number unsupported by device 207
- 34 Incorrect paper size, open [paper source] 208
- 35 Insufficient memory to support Resource Save feature 208
- 36 Printer service required 208
- 37 Insufficient memory for Flash Memory Defragment operation 208
- 37 Insufficient memory to collate job 209
- 37 Insufficient memory, some Held Jobs were deleted 209
- 37 Insufficient memory, some held jobs will not be restored 209
- 38 Memory full 209
- 39 Complex page, some data may not have printed 209
- 51 Defective flash detected 209
- 52 Not enough free space in flash memory for resources 210
- 53 Unformatted flash detected 210
- 54 Network [x] software error 210
- 54 Serial option [x] error 210
- 54 Standard network software error 210
- 55 Unsupported option in slot [x] 211
- 550-sheet drawer
 - installing 25
- 550-sheet specialty media drawer
 - installing 25
- 550-sheet tray (standard or optional)
 - loading 39, 79
- 56 Parallel port [x] disabled 211
- 56 Serial port [x] disabled 211
- 56 Standard USB port disabled 211
- 56 USB port [x] disabled 211
- 57 Configuration change, some held jobs were not restored 212
- 58 Input config error 212
- 58 Too many disks installed 212
- 58 Too many flash options installed 212
- 58 Too many trays attached 213
- 59 Incompatible tray [x] 213
- 61 Remove defective disk 213
- 62 Disk full 213
- 80.xx Fuser life warning 214
- 80.xx Fuser missing 214
- 80.xx Fuser near life warning 213
- 80.xx Replace fuser 214
- 82.xx Replace waste toner bottle 214
- 82.xx Waste toner bottle missing 214
- 82.xx Waste toner bottle nearly full 214
- 83.xx Replace transfer module 215
- 83.xx Transfer module life warning 215
- 83.xx Transfer module missing 215
- 83.xx Transfer module near life warning 215
- 84.xx [Color] photoconductor low 215
- 84.xx [color] photoconductor missing 216
- 84.xx [Color] photoconductor nearly low 215
- 84.xx Replace [color] photoconductor 216
- 88.xx [Color] cartridge critically low 217
- 88.xx [color] cartridge low 216
- 88.xx [color] cartridge nearly low 216
- 88.xx [Color] cartridge very low 217

A

- accessing the Embedded Web Server 75
- accessing the system board 9

- Active NIC menu 132
- adding hardware options
 - print driver 27
- adjusting printer display brightness 173
- adjusting Sleep mode 63, 104
- adjusting toner darkness 55, 96
- administrator settings
 - Embedded Web Server 60, 101
- AppleTalk menu 137
- applications
 - home screen 76
- attaching cables 26
- attaching the system board cover 9
- available internal options 9
- avoiding jams 114
- avoiding paper jams 188

B

- Background and Idle Screen
 - using 76
- black-and-white printing 55, 95
- buttons, touch screen
 - using 73

C

- cables
 - Ethernet 26
 - USB 26
- calling customer support 241
- canceling a print job
 - from a computer 60, 101
 - from the printer control panel 60, 101
- cannot open Embedded Web Server 241
- card stock
 - tips 111
- Change [paper source] to [custom string] 202
- Change [paper source] to [custom string] load [orientation] 202
- Change [paper source] to [custom type name] 201
- Change [paper source] to [custom type name] load [orientation] 202
- Change [paper source] to [paper size] 202

- Change [paper source] to [paper size] load [orientation] 202
 - Change [paper source] to [paper type] [paper size] 203
 - Change [paper source] to [paper type] [paper size] load [orientation] 203
 - checking an unresponsive printer 201
 - checking status of parts and supplies 61, 102
 - checking the status of parts and supplies 61, 102
 - checking the virtual display using the Embedded Web Server 60, 101
 - cleaning
 - exterior of the printer 185
 - interior of the printer 184
 - cleaning the printhead lenses 185
 - Close front door 203
 - confidential data
 - information on securing 68, 108
 - confidential print jobs 58, 99
 - printing from a Macintosh computer 58, 99
 - printing from Windows 58, 99
 - Confidential Print menu 146
 - configuration information
 - wireless network 28
 - Configure MP menu 124
 - configuring port settings 34
 - conservation settings
 - brightness, adjusting 173
 - conserving supplies 174
 - Eco-Mode 61, 103
 - Hibernate mode 63, 103
 - Quiet Mode 62, 104
 - Sleep Mode 104
 - Sleep mode 63
 - conserving supplies 174
 - contacting customer support 241
 - control panel, printer 37, 71
 - corrupted printer hard disk 203
 - creating custom name
 - paper type 93
 - Custom Names menu 130
 - custom paper type
 - assigning 53
 - custom paper type name
 - assigning 94
 - creating 53
 - Custom Type [x]
 - assigning a paper type 53
 - creating custom name 93
 - Custom Type [x] name
 - creating 53
 - Custom Types menu 130
- D**
- Default Source menu 121
 - directory list
 - printing 59, 100
 - Disk near full. Securely clearing disk space. 203
 - Disk problem 203
 - disk wiping 66, 107
 - display troubleshooting
 - printer display is blank 220
 - display, control panel 37, 71
 - display, printer control panel
 - adjusting brightness 173
 - disposing of printer hard disk 64, 105
 - documents, printing
 - from Macintosh 54, 95
 - from Windows 54, 95
- E**
- Eco-Mode setting 61, 103
 - Eco-Settings
 - about 77
 - Embedded Web Server
 - accessing 75
 - adjusting brightness 173
 - administrator settings 60, 101
 - checking the status of parts 61, 102
 - checking the status of supplies 61, 102
 - networking settings 60, 101
 - problem accessing 241
 - Embedded Web Server Administrator's Guide
 - where to find 108
 - Embedded Web Server — Security: Administrator's Guide
 - where to find 60, 101
 - Embedded Web Server — Security: Administrator's Guide
 - where to find 68
- F**
- emission
 - notices 244, 245, 248, 249, 250, 251
 - encrypting the printer hard disk 67, 107
 - envelopes
 - loading 50, 90
 - tips on using 110
 - environmental settings
 - conserving supplies 174
 - Eco-Mode 61, 103
 - Hibernate mode 63, 103
 - printer display brightness, adjusting 173
 - Quiet Mode 62, 104
 - Sleep Mode 104
 - Sleep mode 63
 - Erase Temporary Data Files menu 146
 - erasing hard disk memory 66, 107
 - erasing non-volatile memory 65, 106
 - erasing volatile memory 65, 106
 - Error reading USB drive. Remove USB 204
 - Ethernet network
 - preparing to set up for Ethernet printing 28
 - Ethernet port 26
 - Ethernet setup
 - preparing for an 28
 - exporting a configuration using the Embedded Web Server 78
 - exterior of the printer
 - cleaning 185
- F**
- factory defaults
 - restoring 104
 - factory defaults, restoring 64
 - FAQ about color printing 238
 - FCC notices 244, 249
 - finding more information about the printer 7
 - Finishing menu 159
 - firmware card
 - installing 14
 - flash drive
 - printing from 56, 97
 - Flash Drive menu 156

flash drives
supported file types 57, 98

flash memory card
installing 14
troubleshooting 222

font sample list
printing 59, 100

Forms and Favorites
setting up 76

four-arrow-button printer control
panel 37

fuser
ordering 177

G

General Settings menu 149

green settings
Eco-Mode 61, 103
Hibernate mode 63, 103
Quiet Mode 62, 104

H

hardware options, adding
print driver 27

held jobs 58, 99
printing from a Macintosh
computer 58, 99
printing from Windows 58, 99

Help menu 171

Hibernate mode
using 63, 103

hiding icons on the home screen 75

home screen
buttons, understanding 72
hiding icons 75
showing icons 75

home screen applications
configuring 76
finding information 76

home screen buttons
understanding 72

HTML menu 170

I

icons on the home screen
hiding 75
showing 75

Image menu 171

importing a configuration
using the Embedded Web
Server 78

indicator light 37, 71

Install Tray [x] 204

installing on a wireless network
using Windows 29

installing options
order of installation 24

installing printer 27
on wireless network 29

installing printer hard disk 19
installing printer on a wireless
network

using Macintosh 31

interior of the printer
cleaning 184

internal print server
troubleshooting 222

Internal Solutions Port
changing port settings 34
installing 15
troubleshooting 223

IPv6 menu 136

J

jams
avoiding 188
locating jam areas 189
locations 189
numbers 189

jams, avoiding
cutting paper and specialty
media 113
selecting paper and specialty
media 113

jams, clearing
200–201 paper jams 190
202–203 paper jams 195
24x paper jam 199
250 paper jam 200

Job Accounting menu 164

L

labels, paper
tips 110

letterhead
loading, 2,000-sheet high-capacity
feeder 47, 88
loading, multipurpose feeder 109
loading, trays 109

light, indicator 37, 71

linking trays 52, 93, 94

Load [paper source] with [custom
string] 204

Load [paper source] with [custom
type name] 204

Load [paper source] with [paper
size] 205

Load [paper source] with [paper
type] [paper size] 205

Load manual feeder with [custom
string] 205

Load manual feeder with [custom
type name] 205

Load manual feeder with [paper
size] 206

Load manual feeder with [paper
type] [paper size] 206

loading

2,000-sheet high-capacity
feeder 47, 88

550-sheet tray (standard or
optional) 79

envelopes 50, 90

letterhead in 2,000-sheet
high-capacity feeder 47, 88

multipurpose feeder 50, 90

optional 550-sheet special media
tray 42, 82

optional 550-sheet tray 39

standard 550-sheet tray 39

transparencies 50, 90

loading letterhead

paper orientation 109

loading the optional special media
tray 42, 82

loading the optional tray 79

loading the standard tray 39, 79

lock, security 64, 105

locking the system board 64, 105

M

maintenance counter,
resetting 183

Max Speed and Max Yield
using 55, 96

memory

types installed on printer 64, 105

memory card

installing 12

troubleshooting 223

menu settings page

printing 60, 101

menus

- Active NIC 132
- AppleTalk 137
- Confidential Print 146
- Configure MP 124
- Custom Names 130
- Custom Types 130
- Default Source 121
- diagram of 118
- Erase Temporary Data Files 146
- Finishing 159
- Flash Drive 156
- General Settings 149
- Help 171
- HTML 170
- Image 171
- IPv6 136
- Job Accounting 164
- Miscellaneous Security
 - Settings 145
- Network [x] 132
- Network Card 134
- Paper Loading 128
- Paper Size/Type 121
- Paper Texture 125
- Paper Weight 127
- Parallel [x] 139
- PCL Emul 167
- PDF 166
- PostScript 166
- Quality 161
- Reports 131, 134
- Security Audit Log 147
- Serial [x] 141
- Set Date and Time 148
- Setup 157
- SMTP Setup menu 144
- Standard Network 132
- Standard USB 138
- Substitute Size 125
- Supplies 119
- TCP/IP 135
- Universal Setup 131
- Utilities 165
- Wireless 137
- XPS 166

menus diagram 118

Miscellaneous Security Settings 145

menu 145

mobile device

- printing from 57, 98

moving the printer 35, 69, 186, 187

multipurpose feeder

- loading 50, 90

N

- Network [x] menu 132
- Network Card menu 134
- network options 9
- network settings
 - Embedded Web Server 60, 101
- network setup page
 - printing 61, 102
- Networking Guide
 - where to find 60, 101
- noise emission levels 245
- non-volatile memory 64, 105
 - erasing 65, 106
- notices 243, 244, 245, 246, 247, 248, 249, 250, 251, 252

O

- optional 550-sheet special media tray
 - loading 42, 82
- optional special media tray
 - loading 42, 82
- optional tray
 - loading 79
- options
 - 2,000-sheet drawer 25
 - 550-sheet drawer 25
 - 550-sheet specialty media drawer 25
 - firmware card 14
 - firmware cards 9
 - flash memory card 14
 - Internal Solutions Port 15
 - list 9
 - memory card 12
 - memory cards 9
 - network 9
 - order of installation 24
 - ports 9
 - printer hard disk, installing 19
 - printer hard disk, removing 23
- ordering
 - fuser 177
 - photoconductors 176
 - toner cartridges 176
 - transfer module 177
 - waste toner bottle 177

P

- paper
 - characteristics 111
 - letterhead 113
 - preprinted forms 113
 - recommended print side 113
 - recycled 113
 - selecting 113
 - setting size 38
 - setting type 38
 - storing 114
 - unacceptable 112
 - Universal size setting 38, 78
 - using recycled 173
- Paper changes needed 206
- paper feed troubleshooting
 - message remains after paper jam is cleared 225
- paper jams
 - avoiding 188
- paper jams, clearing
 - 200–201 paper jams 190
 - 202–203 paper jams 195
 - 24x paper jam 199
 - 250 paper jam 200
- Paper Loading menu 128
- paper size
 - setting 78
 - Universal 131
- Paper Size/Type menu 121
- paper sizes
 - supported 115
- Paper Texture menu 125
- paper type
 - setting 78
- paper types
 - supported by printer 117
 - where to load 117
- Paper Weight menu 127
- paper weights
 - supported by printer 117
- Parallel [x] menu 139
- parts
 - checking status 61, 102
 - checking, from printer control panel 102
 - checking, using the Embedded Web Server 61, 102
 - using genuine Lexmark 177

- parts and supplies, status of
 - checking, on printer control panel 61
- PCL Emul menu 167
- PDF menu 166
- photoconductor
 - replacing 181
- photoconductor maintenance counter
 - resetting 183
- photoconductors
 - ordering 176
- port settings
 - configuring 34
- PostScript menu 166
- preparing to set up the printer on an Ethernet network 28
- print driver
 - hardware options, adding 27
- print job
 - canceling from the printer control panel 60
 - canceling, from computer 60, 101
- print quality
 - cleaning the printhead lenses 185
- print quality troubleshooting
 - blank pages 231
 - characters have jagged edges 226
 - clipped images 226
 - gray background on prints 226
 - light colored line, white line, or incorrectly colored line appears on prints 227
 - poor transparency quality 237
 - print irregularities 228
 - print is too dark 229
 - print is too light 230
 - repeating defects 232
 - shadow images appear on prints 232
 - skewed print 233
 - solid black pages 233
 - solid color pages 233
 - streaked horizontal lines appear on prints 234
 - streaked vertical lines 235
 - toner fog or background shading on the page 235
 - toner rubs off 236
 - toner specks 237
 - uneven print density 238
- print quality, poor
 - avoiding by selecting paper and specialty media 113
- print troubleshooting
 - error reading flash drive 217
 - held jobs do not print 217
 - incorrect characters print 218
 - incorrect margins 227
 - jammed pages are not reprinted 225
 - job prints from wrong tray 218
 - job prints on wrong paper 218
 - jobs do not print 219
 - Large jobs do not collate 218
 - multiple-language PDF files do not print 218
 - paper curl 228
 - paper frequently jams 224
 - print job takes longer than expected 220
 - printing slows down 220
 - tray linking does not work 221
 - unexpected page breaks 221
- printer 27
 - configured models 36, 70
 - minimum clearances 35, 69
 - moving 35, 69, 186, 187
 - selecting a location 35, 69
 - shipping 187
- printer configurations 36, 70
- printer control panel
 - adjusting brightness 173
 - factory defaults, restoring 64, 104
 - using 37, 71
- printer control panel, virtual display
 - using the Embedded Web Server 60, 101
- printer hard disk
 - disposing of 64, 105
 - encrypting 67, 107
 - installing 19
 - removing 23
 - troubleshooting 222
 - wiping 66, 107
- printer hard disk encryption 67, 107
- printer hard disk memory
 - erasing 66, 107
- printer information
 - where to find 7
- printer messages
 - 31.xx Missing or defective [color] cartridge 207
 - 32.xx [Color] cartridge part number unsupported by device 207
 - 34 Incorrect paper size, open [paper source] 208
 - 35 Insufficient memory to support Resource Save feature 208
 - 36 Printer service required 208
 - 37 Insufficient memory for Flash Memory Defragment operation 208
 - 37 Insufficient memory to collate job 209
 - 37 Insufficient memory, some Held Jobs were deleted 209
 - 37 Insufficient memory, some held jobs will not be restored 209
 - 38 Memory full 209
 - 39 Complex page, some data may not have printed 209
 - 51 Defective flash detected 209
 - 52 Not enough free space in flash memory for resources 210
 - 53 Unformatted flash detected 210
 - 54 Network [x] software error 210
 - 54 Serial option [x] error 210
 - 54 Standard network software error 210
 - 55 Unsupported option in slot [x] 211
 - 56 Parallel port [x] disabled 211
 - 56 Serial port [x] disabled 211
 - 56 Standard USB port disabled 211
 - 56 USB port [x] disabled 211
 - 57 Configuration change, some held jobs were not restored 212
 - 58 Input config error 212
 - 58 Too many disks installed 212
 - 58 Too many flash options installed 212
 - 58 Too many trays attached 213
 - 59 Incompatible tray [x] 213
 - 61 Remove defective disk 213
 - 62 Disk full 213
 - 80.xx Fuser life warning 214
 - 80.xx Fuser missing 214
 - 80.xx Fuser near life warning 213

- 80.xx Replace fuser 214
- 82.xx Replace waste toner bottle 214
- 82.xx Waste toner bottle missing 214
- 82.xx Waste toner bottle nearly full 214
- 83.xx Replace transfer module 215
- 83.xx Transfer module life warning 215
- 83.xx Transfer module missing 215
- 83.xx Transfer module near life warning 215
- 84.xx [Color] photoconductor low 215
- 84.xx [color] photoconductor missing 216
- 84.xx [Color] photoconductor nearly low 215
- 84.xx Replace [color] photoconductor 216
- 88.xx [Color] cartridge critically low 217
- 88.xx [color] cartridge low 216
- 88.xx [color] cartridge nearly low 216
- 88.xx [Color] cartridge very low 217
- an error has occurred with the USB drive 201
- Change [paper source] to [custom string] 202
- Change [paper source] to [custom string] load [orientation] 202
- Change [paper source] to [custom type name] 201
- Change [paper source] to [custom type name] load [orientation] 202
- Change [paper source] to [paper size] 202
- Change [paper source] to [paper size] load [orientation] 202
- Change [paper source] to [paper type] [paper size] 203
- Change [paper source] to [paper type] [paper size] load [orientation] 203
- Close front door 203
- Disk corrupted 203
- Disk near full. Securely clearing disk space. 203
- Disk problem 203
- Error reading USB drive. Remove USB 204
- Insert Tray [x] 204
- Install Tray [x] 204
- Load [paper source] with [custom string] 204
- Load [paper source] with [custom type name] 204
- Load [paper source] with [paper size] 205
- Load [paper source] with [paper type] [paper size] 205
- Load manual feeder with [custom string] 205
- Load manual feeder with [custom type name] 205
- Load manual feeder with [paper size] 206
- Load manual feeder with [paper type] [paper size] 206
- Paper changes needed 206
- Remove packaging material, [area name] 206
- Remove paper from standard output bin 206
- Restore held jobs? 207
- Some held jobs were not restored 207
- Supply needed to complete job 207
- Tray [x] paper size unsupported 207
- Unsupported disk 207
- printer options troubleshooting
- 2,000-sheet drawer problems 222
- cannot detect flash memory card 222
- cannot detect printer hard disk 222
- internal print server 222
- Internal Solutions Port 223
- memory card 223
- option does not work 223
- paper tray problems 224
- USB/parallel interface card 224
- printer problems, solving basic 201
- printer security information on 68, 108
- printer setup verifying 34
- printhead lenses cleaning 185
- printing
 - black-and-white 55, 95
 - canceling, from the printer control panel 101
 - directory list 59, 100
 - font sample list 59, 100
 - forms 95
 - from a mobile device 57, 98
 - from flash drive 56, 97
 - from Macintosh 54, 95
 - from Windows 54, 95
 - Max Speed and Max Yield 55, 96
 - menu settings page 60, 101
 - network setup page 61, 102
 - printing a directory list 100
 - printing a document 54, 95
 - printing a font sample list 100
 - printing a menu settings page 101
 - printing a network setup page 61, 102
 - printing confidential and other held jobs
 - from a Macintosh computer 58, 99
 - from Windows 58, 99
 - printing forms 95
 - printing from a flash drive 56, 97
 - printing from a mobile device 57, 98
 - printing in black and white 55, 95
 - publications where to find 7

Q

- Quality menu 161
- Quiet Mode 62, 104

R

- reattaching the system board cover 9
- recommended print side 113
- recycled paper using 113, 173
- recycling 246
- Lexmark packaging 175
- Lexmark products 174
- toner cartridges 175

reducing noise 62, 104
 Remote Operator Panel
 setting up 77
 Remove packaging material, [area name] 206
 Remove paper from standard output bin 206
 removing printer hard disk 23
 repeat print jobs 58, 99
 printing from a Macintosh computer 58, 99
 printing from Windows 58, 99
 replacing supplies
 photoconductor 181
 toner cartridge 178
 waster toner bottle 179
 Reports menu 131, 134
 reserve print jobs 58
 printing from a Macintosh computer 58, 99
 printing from Windows 58, 99
 resetting the maintenance counter 183
 Restore held jobs? 207
 restoring factory default settings 104

S

safety information 5, 6
 Security Audit Log menu 147
 security lock 64, 105
 security Web page
 where to find 68, 108
 selecting a location for the printer 35, 69
 Serial [x] menu 141
 Set Date and Time menu 148
 setting
 paper size 38, 78
 paper type 38, 78
 TCP/IP address 135
 setting the Universal paper size 38, 78
 Setup menu 157
 shipping the printer 187
 showing icons on the home screen 75
 Showroom
 about 77
 Sleep Mode
 adjusting 104

Sleep mode
 adjusting 63
 SMTP Setup menu 144
 Some held jobs were not restored 207
 specialty media
 recommended print side 113
 selecting 113
 Standard Network menu 132
 standard tray
 loading 39, 79
 Standard USB menu 138
 statement of volatility 64, 105
 status of parts
 checking 102
 status of parts and supplies
 checking 61
 status of supplies
 checking 102
 storing
 paper 114
 supplies 177
 storing print jobs 58, 99
 Substitute Size menu 125
 supplies
 checking status 61, 102
 checking, from printer control panel 102
 checking, using the Embedded Web Server 61, 102
 conserving 174
 storing 177
 using genuine Lexmark 177
 using recycled paper 173
 Supplies menu 119
 supplies, ordering
 fuser 177
 photoconductors 176
 toner cartridges 176
 transfer module 177
 waste toner bottle 177
 supplies, replacing
 photoconductor 181
 waste toner bottle 179
 Supply needed to complete job 207
 supported file types 98
 supported flash drives 57, 98
 supported paper sizes 115
 system board
 accessing 9
 locking 64, 105

system board cover
 attaching 9
 reattaching 9

T

TCP/IP menu 135
 telecommunication notices 249
 tips
 card stock 111
 labels, paper 110
 on using envelopes 110
 on using letterhead 109
 on using transparencies 110
 tips on using envelopes 110
 tips on using letterhead 109
 toner cartridge
 replacing 178
 toner cartridges
 ordering 176
 recycling 175
 toner darkness
 adjusting 55, 96
 toner rubs off 236
 touch screen
 buttons, using 73
 touch-screen printer control panel 71
 transfer module
 ordering 177
 transparencies
 loading 50, 90, 110
 tips on using 110
 using 110
 Tray [x] paper size unsupported 207
 trays
 linking 52, 93, 94
 unlinking 52, 93, 94
 troubleshooting
 an application error has occurred 221
 cannot open Embedded Web Server 241
 checking an unresponsive printer 201
 contacting customer support 241
 FAQ about color printing 238
 solving basic printer problems 201
 troubleshooting, display
 printer display is blank 220

troubleshooting, paper feed
 message remains after paper jam is cleared 225

troubleshooting, print
 error reading flash drive 217
 held jobs do not print 217
 incorrect characters print 218
 incorrect margins 227
 jammed pages are not reprinted 225
 job prints from wrong tray 218
 job prints on wrong paper 218
 jobs do not print 219
 Large jobs do not collate 218
 multiple-language PDF files do not print 218
 paper curl 228
 paper frequently jams 224
 print job takes longer than expected 220
 printing slows down 220
 tray linking does not work 221
 unexpected page breaks 221

troubleshooting, print quality
 blank pages 231
 characters have jagged edges 226
 clipped images 226
 gray background on prints 226
 light colored line, white line, or incorrectly colored line appears on prints 227
 poor transparency quality 237
 print irregularities 228
 print is too dark 229
 print is too light 230
 repeating defects 232
 shadow images appear on prints 232
 skewed print 233
 solid black pages 233
 solid color pages 233
 streaked horizontal lines appear on prints 234
 streaked vertical lines 235
 toner fog or background shading on the page 235
 toner rubs off 236
 toner specks 237
 uneven print density 238

troubleshooting, printer options
 2,000-sheet drawer problems 222

cannot detect flash memory card 222
 cannot detect printer hard disk 222
 internal print server 222
 Internal Solutions Port 223
 memory card 223
 option does not work 223
 paper tray problems 224
 USB/parallel interface card 224

U

understanding the home screen 72
 Universal Paper Size setting 78
 Universal paper size 131 setting 38
 Universal Setup menu 131
 unlinking trays 52, 93, 94
 Unsupported disk 207
 Unsupported USB device, please remove 204
 USB port 26
 USB/parallel interface card troubleshooting 224
 User's Guide using 7
 using Forms and Favorites 95
 using Hibernate mode 63, 103
 using Max Speed and Max Yield 55, 96
 using recycled paper 173
 using the four-arrow-button printer control panel 37
 using the touch screen printer control panel 71
 using the touch-screen buttons 73
 Utilities menu 165

V

verify print jobs 58, 99
 printing from a Macintosh computer 58, 99
 printing from Windows 58, 99
 verifying printer setup 34
 virtual display
 checking, using Embedded Web Server 60, 101
 volatile memory 64, 105
 erasing 65, 106

volatility
 statement of 64, 105

W

waste toner bottle
 ordering 177
 replacing 179
 wiping printer hard disk 66
 wiping the printer hard disk 107
 Wireless menu 137
 wireless network
 configuration information 28
 installation, using Macintosh 31
 installation, using Windows 29
 wireless network setup
 in Windows 29
 wireless printer setup
 in Macintosh 31

X

XPS menu 166