

Lexmark C935dn



LEXMARKTM

Lexmark C935dn

The Lexmark C935dn departmental network color printer provides performance-based printing based on up to 11 x 17" media. It can be configured with either a staple/hole punch or booklet finishing option



Lexmark C935dn, C935dtn, C935hdn

In the Box

Lexmark C935dn

- Lexmark C935dn Printer
- Automatic two-sided printing
- 13,000-page Black Toner Cartridge¹
- 12,000-page Cyan, Magenta and Yellow Toner Cartridges¹

- Power Cord
- Photoconductor Kit
- Setup Sheets
- Software/Documentation CD
- Warranty Sheet
- Supplies Use & Return Flyer

Lexmark C935dtn

- Lexmark C935dn PLUS
- 520-sheet Drawer with Cabinet
- Additional 256MB memory

Lexmark C935hdn

- Lexmark C935dn PLUS
- 40+GB Hard Disk
- 3 x 520-sheet Drawer
- Additional 256MB memory

Product Specifications

Part Number	US/Canada: C935dn: 21Z0140, C935dtn: 21Z0141, C935hdn: 21Z0180
Product Class	Departmental color laser printer
Print Speed	Black: Up to 45 ppm; Color: Up to 40 ppm
Time to First Page	Black: As fast as 5 seconds; Color: As fast as 9 seconds
Print Resolution	2400 image quality printing
Processor	1.25 GHz
Memory (std./max.)	C935dn: 256MB/1024MB; C935dtn, C935hdn: 512MB/1,024MB
Connectivity	Standard Optional Network Mgmt Utility
	Gigabit Ethernet, USB, USB Direct Interface, 1 Internal Solutions Port Wireless, Fiber Optic, Parallel, Serial MarkVision Professional
Printer Languages	PostScript 3 and PCL 6 emulations, PPDS Migration Tool
Direct Print Formats	jpeg, tiff, gif, bmp, png, dcx, pdf v1.6
Fonts	PCL 6: 89 scalable, includes OCR-A, OCR-B and Code 3 of 9 bar codes; 2 bitmapped; PostScript: 158 scalable; PPDS: 39 scalable, 5 bitmapped
Operating Systems	Windows, Linux, UNIX, Mac, NetWare and OS/400
Acoustics	55 dBA printing, 34 dBA idle
Size (WxDxH)	C935dn: 25.6 in. x 28 in. x 33.6 in. (650 mm x 710 mm x 854 mm); C935dtn: 25.6 in. x 28 in. x 48.4 in. (650 mm x 710 mm x 1229 mm); C935hdn: 25.6 in. x 28 in. x 48.4 in. (650 mm x 710 mm x 1229 mm)
Weight	C935dn: 201 lb. (91.2 kg); C935dtn: 252 lb. (114.3 kg); C935hdn: 287 lb. (130 kg)
Duty Cycle	Up to 200,000 pages per month (maximum one-time monthly usage)

Media Specifications

Paper Capacity (sheets)	
Standard	C935dn: Input: 620 (520+100 MPF); Output: 400 C935dtn: Input: 1,140 (1,040 + 100 MPF); Output: 400 C935hdn: Input: 2,180 (2,080 + 100 MPF); Output: 400
Maximum	C935dn: Input: 3,140 (2,000 + 520 + 620); Output: 3,500 C935dtn: Input: 1,140 (1,040 + 100 MPF); Output: 3,500 C935hdn: Input: 2,180 (2,080 + 100 MPF); Output: 3,500
Paper Sources	
Standard	C935dn: Input: 2; Output: 1 C935dtn: Input: 3; Output: 1 C935hdn: Input: 5; Output: 1
Maximum	C935dn: Input: 5; Output: 3 C935dtn: Input: 3; Output: 3 C935hdn: Input: 5; Output: 3
Media Information	
Types	Plain paper, card stock, transparencies, envelopes, glossy paper, paper labels
Size	A4, A5, A3, JIS B5, JIS B4, letter, tabloid, legal, executive, folio, statement, universal (length: 3.9 to 17 in.; width: 5.5 in. to 11.7 in.), envelopes (7 3/4, 10, DL, C5)
Weight	Plain paper: 16-58 lb. bond (60-220 g/m ²)

Shipping Dimensions

Lexmark C935dn

35.4 in. x 29.9 in. x 28.9 in.
228 lb.

Lexmark C935dtn

35.4 in. x 29.9 in. x 41.3 in.
293 lb.

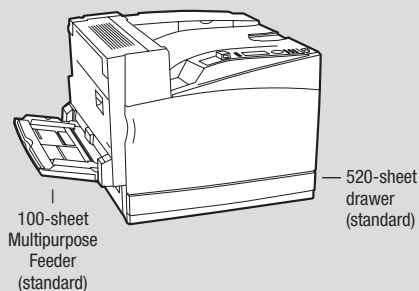
Lexmark C935hdn

35.4 in. x 29.9 in. x 41.3 in.
308 lb.

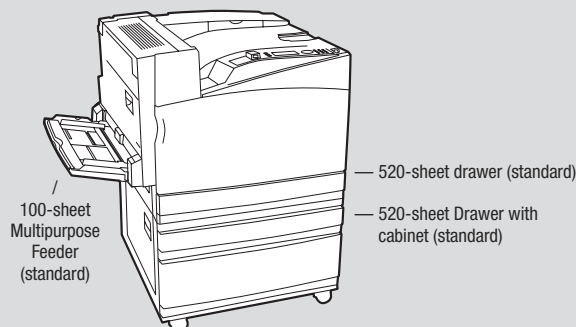
Part Numbers

Supplies	38,000-page Black High Yield Toner Cartridge ¹	C930H2KG
	24,000-page Cyan High Yield Toner Cartridge ¹	C930H2CG
	24,000-page Magenta High Yield Toner Cartridge ¹	C930H2MG
	24,000-page Yellow High Yield Toner Cartridge ¹	C930H2YG
	Black Photoconductor Kit	C930X72G
	3-pack Color Photoconductor Kit	C930X73G
	30,000-page Waste Toner Bottle	C930X76G
	Advanced Booklet Staples (4 x 5,000)	21Z0357
	Staple Cartridge, (3 x 5,000)	25A0013
	Routine Maintenance Items	
100,000-page Maintenance Kit	40X4031	
600,000-page Maintenance Kit	40X4032	
Memory/Flash Options	128MB SDRAM	13N1523
	256MB SDRAM	13N1524
	512MB SDRAM	13N1526
	32MB Flash Card	1021208
	64MB Flash Card	1021209
	40+GB Hard Disk	13N1530
Warranty	1-year Next Business Day Onsite Repair	Base
	1-year Next Business Day Onsite Repair extended warranty	2349440
	2-year Next Business Day Onsite Repair extended warranty	2349441
	3-year Next Business Day Onsite Repair extended warranty	2349442

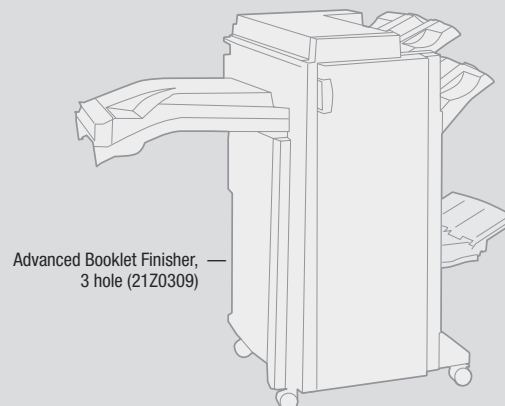
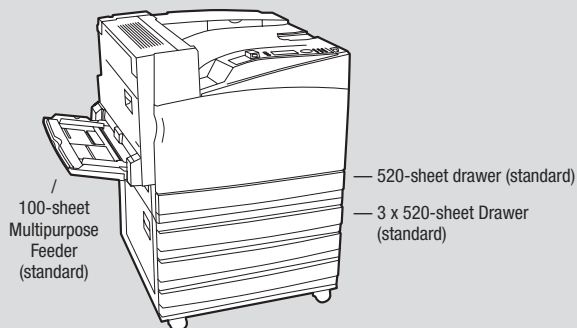
C935dn



C935dtn



C935hdn



Options Not Pictured

Printer Cabinet ²	21Z0306
Standard Finisher, 3-hole	21Z0308
High Capacity Feeder ²	21Z0304
3 x 520-sheet Drawer Stand ²	21Z0305
520-sheet Drawer Stand with Cabinet ²	21Z0307

¹ Average continuous black or continuous composite CMY declared cartridge yield up to this number of standard pages in accordance with ISO/IEC 19798.

² Only available for C935dn

Additional Part Numbers

Solutions	Traditional Chinese Font Card	1021242
	Simplified Chinese Font Card	1021241
	Japanese Font Card	1021243
	Korean Font Card	1021240
	Bar Code Card and Forms Card	21Z0363
	Card for PRESCRIBE	21Z0365
	PrintCryption™ Card	21Z0366
	Card for IPDS and SCS/Tne	21Z0364
Connectivity	Internal Print Servers ¹	
	MarkNet™ N8030 Fiber Ethernet	14S0220
	MarkNet N8050 802.11g Wireless	14S0165
	External Print Servers ²	
	N4050e 802.11g Wireless	14T0145
	Local Connections	
RS-232C Serial Interface Card	1021092	
Parallel 1284-B Interface Card	1021091	
Cables	6-foot USB Cable	1021294
	10-foot Parallel Cable	1021231
Media	Glossy Paper (letter, 200 sheets)	12A5950
	Professional Color Laser Transparencies (letter, 50 sheets)	12A8240

Terms & Conditions

Lexmark, MarkNet and Lexmark with diamond design are trademarks of Lexmark International, Inc., registered in the United States and/or other countries. PrintCryption is a trademark of Lexmark International, Inc. PCL is a registered trademark of Hewlett Packard Company. All other trademarks are the property of their respective owners. © 2007 Lexmark International, Inc. All rights reserved.

71K1211

¹ Use of Internal Print Server disables network card resident in Printer.
² Requires USB Connection.