



Lexmark™

# **CS510, CS517**

---

## **User's Guide**

**November 2017**

**[www.lexmark.com](http://www.lexmark.com)**

---

Machine type(s):

5027

Model(s):

630

# Contents

- Safety information..... 6**
  - Conventions..... 6
  
- Learning about the printer..... 9**
  - Finding information about the printer.....9
  - Selecting a location for the printer..... 10
  - Printer configurations..... 11
  - Using the Embedded Web Server..... 12
  
- Understanding the printer control panel..... 14**
  - Using the printer control panel..... 14
  - Understanding the colors of the Sleep button and indicator lights..... 14
  - Understanding the home screen..... 15
  - Using the touch-screen buttons..... 16
  
- Setting up and using the home screen applications..... 18**
  - Finding the IP address of the computer..... 18
  - Finding the IP address of the printer..... 18
  - Accessing the Embedded Web Server..... 18
  - Customizing the home screen..... 19
  - Activating the home screen applications..... 19
  - Setting up Remote Operator Panel..... 21
  - Exporting and importing a configuration..... 21
  
- Additional printer setup..... 23**
  - Installing internal options..... 23
  - Installing hardware options..... 33
  - Setting up the printer software..... 36
  - Attaching cables..... 36
  - Networking..... 37
  - Verifying printer setup..... 41
  
- Loading paper and specialty media..... 42**
  - Setting the paper size and type..... 42
  - Configuring Universal paper settings..... 42

Loading the 250- and 550-sheet tray..... 42

Loading the 650-sheet duo tray.....45

Loading the multipurpose feeder.....46

Loading the manual feeder.....49

Linking and unlinking trays.....50

**Paper and specialty media guide..... 53**

Using specialty media..... 53

Paper guidelines.....56

Supported paper sizes, types, and weights.....59

**Printing.....63**

Printing forms and documents..... 63

Printing from a flash drive..... 65

Printing from a mobile device..... 66

Printing confidential and other held jobs..... 68

Printing information pages.....69

Canceling a print job..... 69

**Understanding the printer menus..... 70**

Menus list..... 70

Supplies menu.....70

Paper menu..... 71

Reports menu.....80

Network/Ports menu.....81

Security menu..... 90

Settings menu..... 93

Help menu..... 116

**Saving money and the environment..... 118**

Saving paper and toner.....118

Saving energy..... 118

Recycling..... 122

**Securing the printer..... 124**

Using the security lock feature..... 124

Statement of Volatility..... 124

Erasing volatile memory.....125

Erasing non-volatile memory..... 125  
Erasing printer hard disk memory..... 126  
Finding printer security information..... 126  
Configuring printer hard disk encryption..... 127

**Maintaining the printer..... 128**

Cleaning the printer..... 128  
Checking the status of supplies..... 128  
Estimated number of remaining pages..... 129  
Ordering supplies..... 129  
Storing supplies..... 132  
Replacing supplies..... 132  
Moving the printer..... 150

**Managing the printer..... 152**

Finding advanced networking and administrator information..... 152  
Checking the virtual display..... 152  
Checking the printer status..... 152  
Viewing reports..... 152  
Configuring supply notifications from the Embedded Web Server..... 153  
Modifying confidential print settings..... 153  
Copying printer settings to other printers..... 154  
Restoring factory default settings..... 154

**Clearing jams..... 156**

Avoiding jams..... 156  
Identifying jam locations..... 157  
Paper jam in the standard bin..... 158  
Paper jam in the front door..... 158  
Paper jam in trays..... 160  
Paper jam in the manual feeder..... 161  
Paper jam in the multipurpose feeder..... 162

**Troubleshooting..... 163**

Understanding the printer messages..... 163  
Solving printer problems..... 175  
Solving home screen application problems..... 181

Solving print problems..... 182  
Color quality problems..... 206  
Embedded Web Server does not open..... 210  
Contacting customer support..... 211

**Notices.....212**

**Index.....223**

# Safety information

## Conventions

**Note:** A *note* identifies information that could help you.


**Warning:** A *warning* identifies something that could damage the product hardware or software.

**CAUTION:** A *caution* indicates a potentially hazardous situation that could injure you.


Different types of caution statements include:


 **CAUTION—POTENTIAL INJURY:** Indicates a risk of injury.


 **CAUTION—SHOCK HAZARD:** Indicates a risk of electrical shock.


 **CAUTION—HOT SURFACE:** Indicates a risk of burn if touched.

 **CAUTION—TIPPING HAZARD:** Indicates a crush hazard.


 **CAUTION—PINCH HAZARD:** Indicates a risk of being caught between moving parts.


 **CAUTION—POTENTIAL INJURY:** To avoid the risk of fire or electrical shock, connect the power cord to an appropriately rated and properly grounded electrical outlet that is near the product and easily accessible.

 **CAUTION—POTENTIAL INJURY:** Do not use this product with extension cords, multioutlet power strips, multioutlet extenders, or other types of surge or UPS devices. The power rating capacity of these types of accessories can be easily overloaded by a laser printer and may result in poor printer performance, property damage, or potential fire.


 **CAUTION—POTENTIAL INJURY:** Only a Lexmark Inline Surge Protector that is properly connected between the printer and the power cord provided with the printer may be used with this product. The use of non-Lexmark surge protection devices may result in a risk of fire, property damage, or poor printer performance.








Do not place or use this product near water or wet locations.

 **CAUTION—POTENTIAL INJURY:** This product uses a laser. Use of controls or adjustments or performance of procedures other than those specified herein may result in hazardous radiation exposure.


 **CAUTION—POTENTIAL INJURY:** The lithium battery in this product is not intended to be replaced. There is a danger of explosion if a lithium battery is incorrectly replaced. Do not recharge, disassemble, or incinerate a lithium battery. Discard used lithium batteries according to the manufacturer's instructions and local regulations.

This product uses a printing process that heats the print media, and the heat may cause the media to release emissions. You must understand the section in your operating instructions that discusses the guidelines for selecting print media to avoid the possibility of harmful emissions.


 **CAUTION—HOT SURFACE:** The inside of the printer might be hot. To reduce the risk of injury from a hot component, allow the surface to cool before touching it.


-  **CAUTION—POTENTIAL INJURY:** The printer weight is greater than 18 kg (40 lb) and requires two or more trained personnel to lift it safely.
-  **CAUTION—POTENTIAL INJURY:** To reduce the risk of equipment instability, load each tray separately. Keep all other trays closed until needed.
-  **CAUTION—TIPPING HAZARD:** Floor-mounted configurations require additional furniture for stability. You must use either a printer stand or printer base if you are using multiple input options. If you purchased a printer with a similar configuration, then you may need additional furniture. For more information, see [www.lexmark.com/multifunctionprinters](http://www.lexmark.com/multifunctionprinters).
-  **CAUTION—POTENTIAL INJURY:** When moving the printer, follow these guidelines to avoid personal injury or printer damage:
- Make sure that all doors and trays are closed.
  - Turn off the printer, and then unplug the power cord from the electrical outlet.
  - Disconnect all cords and cables from the printer.
  - If the printer has a caster base, then carefully roll it to the new location. Use caution when passing over thresholds and breaks in flooring.
  - If the printer does not have a caster base but is configured with optional trays, then lift the printer off the trays. Do not try to lift the printer and the trays at the same time.
  - Always use the handholds on the printer to lift it.
  - Any cart used to move the printer must have a surface able to support the full footprint of the printer.
  - Any cart used to move the hardware options must have a surface able to support the dimensions of the options.
  - Keep the printer in an upright position.
  - Avoid severe jarring movements.
  - Make sure that your fingers are not under the printer when you set it down.
  - Make sure that there is adequate clearance around the printer.
-  **CAUTION—POTENTIAL INJURY:** To avoid the risk of fire or electrical shock, use only the power cord provided with this product or the manufacturer's authorized replacement.
-  **CAUTION—SHOCK HAZARD:** If you are accessing the controller board or installing optional hardware or memory devices sometime after setting up the printer, then turn the printer off, and unplug the power cord from the electrical outlet before continuing. If you have any other devices attached to the printer, then turn them off as well, and unplug any cables going into the printer.
-  **CAUTION—SHOCK HAZARD:** Make sure that all external connections (such as Ethernet and telephone system connections) are properly installed in their marked plug-in ports.

This product is designed, tested, and approved to meet strict global safety standards with the use of specific manufacturer's components. The safety features of some parts may not always be obvious. The manufacturer is not responsible for the use of other replacement parts.

-  **CAUTION—POTENTIAL INJURY:** Do not cut, twist, bind, crush, or place heavy objects on the power cord. Do not subject the power cord to abrasion or stress. Do not pinch the power cord between objects such as furniture and walls. If any of these things happen, a risk of fire or electrical shock results. Inspect the power cord regularly for signs of such problems. Remove the power cord from the electrical outlet before inspecting it.

Refer service or repairs, other than those described in the user documentation, to a service representative.

 **CAUTION—SHOCK HAZARD:** Do not set up this product or make any electrical or cabling connections, such as the fax feature, power cord, or telephone, during a lightning storm.


 **CAUTION—SHOCK HAZARD:** To avoid the risk of electrical shock when cleaning the exterior of the printer, unplug the power cord from the electrical outlet and disconnect all cables from the printer before proceeding.

**SAVE THESE INSTRUCTIONS.**




# Learning about the printer

## Finding information about the printer

What are you looking for?	Find it here
Initial setup instructions: <ul style="list-style-type: none"> <li>• Connecting the printer</li> <li>• Installing the printer software</li> </ul>	Setup documentation—The setup documentation came with the printer and is also available at <a href="http://support.lexmark.com">http://support.lexmark.com</a> .
Additional setup and instructions for using the printer: <ul style="list-style-type: none"> <li>• Selecting and storing paper and specialty media</li> <li>• Loading paper</li> <li>• Configuring printer settings</li> <li>• Viewing and printing documents and photos</li> <li>• Setting up and using the printer software</li> <li>• Configuring the printer on a network</li> <li>• Caring for and maintaining the printer</li> <li>• Troubleshooting and solving problems</li> </ul>	<i>User's Guide</i> and <i>Quick Reference Guide</i> —The guides are available at <a href="http://support.lexmark.com">http://support.lexmark.com</a> . <b>Note:</b> These guides are also available in other languages.
Information on setting up and configuring the accessibility features of your printer	<i>Lexmark Accessibility Guide</i> —This guide is available at <a href="http://support.lexmark.com">http://support.lexmark.com</a> .
Help using the printer software	Windows or Mac Help—Open a printer software program or application, and then click <b>Help</b> .  Click  to view context-sensitive information.  <b>Notes:</b> <ul style="list-style-type: none"> <li>• Help is automatically installed with the printer software.</li> <li>• The printer software is located in the printer program folder or on the desktop, depending on your operating system.</li> </ul>

What are you looking for?	Find it here
<p>The latest supplemental information, updates, and customer support:</p> <ul style="list-style-type: none"> <li>• Documentation</li> <li>• Driver downloads</li> <li>• Live chat support</li> <li>• E-mail support</li> <li>• Voice support</li> </ul>	<p>Lexmark support Web site— <a href="http://support.lexmark.com">http://support.lexmark.com</a></p> <p><b>Note:</b> Select your country or region, and then select your product to view the appropriate support site.</p> <p>Support telephone numbers and hours of operation for your country or region can be found on the support Web site or on the printed warranty that came with your printer.</p> <p>Record the following information (located on the store receipt and at the back of the printer), and have it ready when you contact customer support so that they may serve you faster:</p> <ul style="list-style-type: none"> <li>• Machine Type number</li> <li>• Serial number</li> <li>• Date purchased</li> <li>• Store where purchased</li> </ul>
<p>Warranty information</p>	<p>Warranty information varies by country or region:</p> <ul style="list-style-type: none"> <li>• <b>In the U.S.</b>—See the Statement of Limited Warranty included with this printer, or go to <a href="http://support.lexmark.com">http://support.lexmark.com</a>.</li> <li>• <b>In other countries and regions</b>—See the printed warranty that came with this printer.</li> </ul>

## Selecting a location for the printer

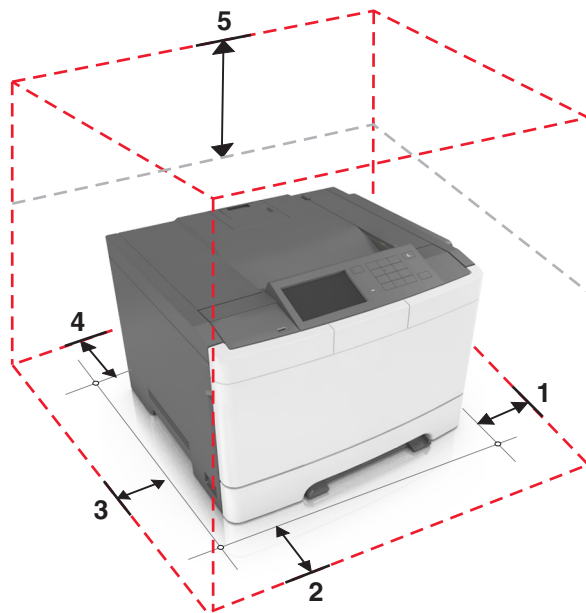
 **CAUTION—POTENTIAL INJURY:** The printer weight is greater than 18 kg (40 lb) and requires two or more trained personnel to lift it safely.

When selecting a location for the printer, leave enough room to open trays, covers, and doors. If you plan to install any options, then leave enough room for them also. It is important to:

- Set up the printer near a properly grounded and easily accessible electrical outlet.
- Make sure airflow in the room meets the latest revision of the ASHRAE 62 standard or the CEN Technical Committee 156 standard.
- Provide a flat, sturdy, and stable surface.
- Keep the printer:
  - Clean, dry, and free of dust.
  - Away from stray staples and paper clips.
  - Away from the direct airflow of air conditioners, heaters, or ventilators.
  - Free from direct sunlight and humidity extremes.
- Observe the recommended temperatures and avoid fluctuations:

Ambient temperature	15.6 to 32.2°C (60 to 90°F)
Storage temperature	1 to 35°C (34 to 95°F)

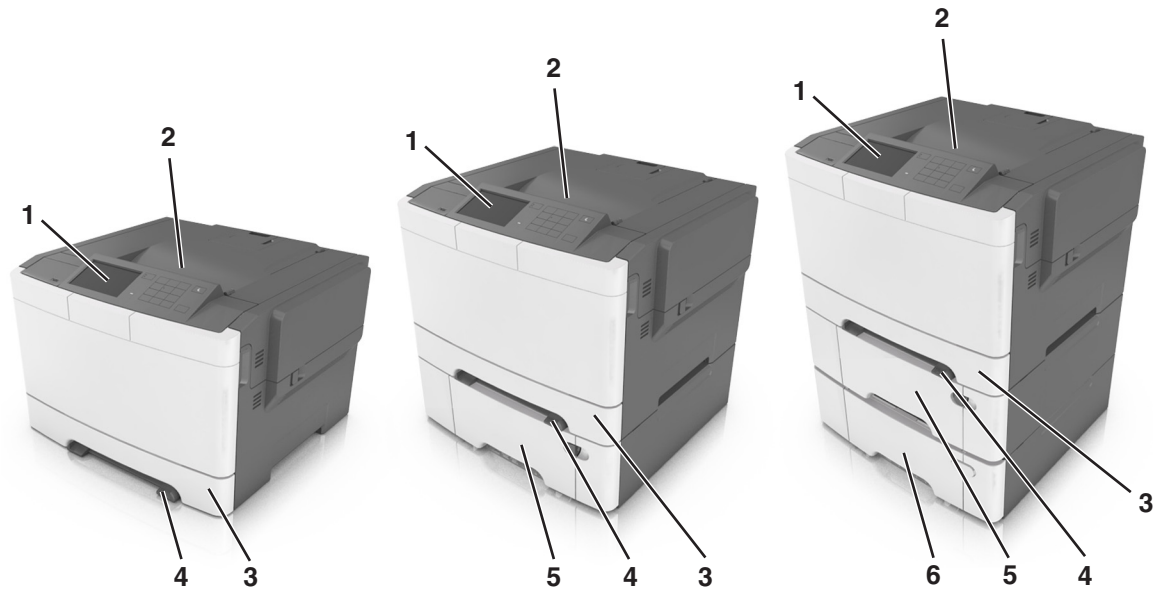
- Allow the following recommended amount of space around the printer for proper ventilation:



1	Right side	102 mm (4 in.)
2	Front	508 mm (20 in.)
3	Left side	152 mm (6 in.)
4	Rear	102 mm (4 in.)
5	Top	254 mm (10 in.)

## Printer configurations

**⚠ CAUTION—TIPPING HAZARD:** Floor-mounted configurations require additional furniture for stability. You must use either a printer stand or printer base if you are using multiple input options. If you purchased a printer with a similar configuration, then you may need additional furniture. For more information, see [www.lexmark.com/multifunctionprinters](http://www.lexmark.com/multifunctionprinters).



1	Printer control panel
2	Standard bin
3	250-sheet tray (Tray 1)
4	Manual feeder
5	Optional 650-sheet duo tray with integrated multipurpose feeder (Tray 2) <b>Note:</b> This tray is standard on the CS410dtn and CS510dte models.
6	Optional 550-sheet tray (Tray 3)

## Using the Embedded Web Server

**Note:** This feature is available only in network printers or printers connected to print servers.

If the printer is installed on a network, then you can use the Embedded Web Server to do the following:

- View the virtual display of the printer control panel.
- Check the status of the printer supplies.
- Configure supply notifications.
- Configure printer settings.
- Configure network settings.
- View reports.

To access the Embedded Web Server for your printer:

### 1 Obtain the printer IP address:

- From the TCP/IP section in the Network/Ports menu
- By printing a network setup page or menu settings page, and then finding the TCP/IP section

#### Notes:

- An IP address appears as four sets of numbers separated by periods, such as 123.123.123.123.

– If you are using a proxy server, then temporarily disable it to load the Web page correctly.

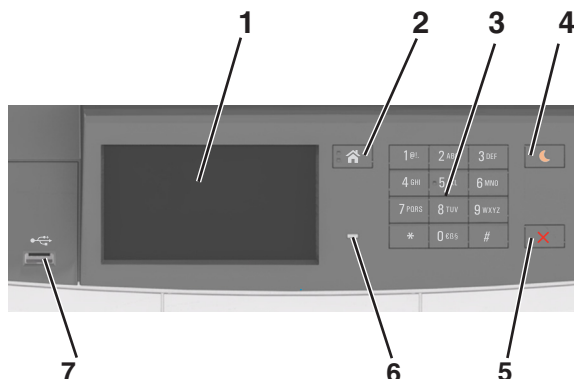
**2** Open a Web browser, and then type the printer IP address in the address field.

**3** Press **Enter**.

The Embedded Web Server page appears.

# Understanding the printer control panel

## Using the printer control panel



	Use the	To
1	Display	<ul style="list-style-type: none"> <li>Show the status of the printer.</li> <li>Set up and operate the printer.</li> </ul>
2	Home button	Go to the home screen.
3	Keypad	Enter numbers, letters, or symbols on the printer.
4	Sleep button	Enable Sleep mode or Hibernate mode. <b>Notes:</b> <ul style="list-style-type: none"> <li>Pressing any hard button, touching the printer control panel, attaching a device to a USB port, sending a print job, or performing a power-on reset with the main power switch wakes the printer from Sleep mode.</li> <li>Pressing the Sleep button or the power switch causes the printer to wake from Hibernate Mode.</li> </ul>
5	Stop or Cancel button	Stop all printer activity.
6	Indicator light	Check the status of the printer.
7	USB port	Connect a USB a flash drive to the printer. <b>Note:</b> Only the front USB port supports flash drives.

## Understanding the colors of the Sleep button and indicator lights

The colors of the Sleep button and indicator lights on the printer control panel signify a certain printer status or condition.

Indicator light	Printer status
Off	The printer is off or in Hibernate mode.
Blinking green	The printer is warming up, processing data, or printing.

Indicator light	Printer status
Solid green	The printer is on, but idle.
Blinking red	The printer requires user intervention.

Sleep button light	Printer status
Off	The printer is off, idle or in Ready state.
Solid amber	The printer is in Sleep mode.
Blinking amber	The printer is entering or waking from Hibernate mode.
Blinking amber for 0.1 second, then goes completely off for 1.9 seconds in a slow, pulsing pattern	The printer is in Hibernate mode.

## Understanding the home screen

When the printer is turned on, the display shows a basic screen, referred to as the home screen. Use the home screen buttons and icons to initiate an action.

**Note:** Your home screen may vary depending on your home screen customization settings, administrative setup, and active embedded solutions.





Touch	To
1	Change Language Change the primary language of the printer.
2	Bookmarks Create, organize, and save a set of bookmarks (URLs) into a tree view of folders and file links. <b>Note:</b> The tree view does not include bookmarks created within Forms and Favorites, and the ones in the tree are not usable in Forms and Favorites.
3	Held Jobs Display all current held jobs.
4	USB View, select, or print photos and documents from a flash drive. <b>Note:</b> This icon appears only when you return to the home screen while a memory card or flash drive is connected to the printer.

Touch		To
5	Menus	Access printer menus. <b>Note:</b> These menus are available only when the printer is in ready state.
6	Status message bar	<ul style="list-style-type: none"> <li>• Show the current printer status such as <b>Ready</b> or <b>Busy</b>.</li> <li>• Show the status of printer supplies.</li> <li>• Show intervention messages and the instructions on how to clear them.</li> </ul>
7	Status/Supplies	<ul style="list-style-type: none"> <li>• Show a printer warning or error message whenever the printer requires intervention to continue processing.</li> <li>• View more information on the printer warning or message, and on how to clear it.</li> </ul>
8	Tips	View a context-sensitive help information.

This may also appear on the home screen:

Touch	To
Search Held Jobs	Search current held jobs.
Jobs by user	Access print jobs saved by user.
Profiles and Solutions	Access profiles and solutions.

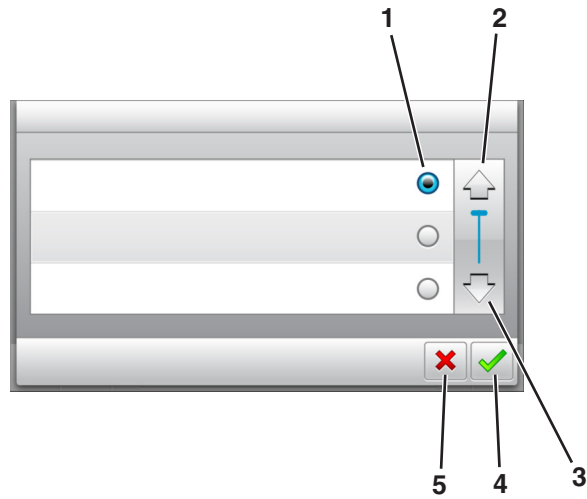
## Features

Feature	Description
Attendance message alert 	If an attendance message affects a function, then this icon appears and the red indicator light blinks.
Warning 	If an error condition occurs, then this icon appears.
Printer IP address Example: <b>123 . 123 . 123 . 123</b>	The IP address of your printer is located at the top left corner of the home screen and appears as four sets of numbers separated by periods. You can use the IP address when accessing the Embedded Web Server to view and remotely configure printer settings even when you are not physically near the printer.





## Using the touch-screen buttons

**Note:** Your home screen may vary, depending on your home screen customization settings, administrative setup, and active embedded solutions.





	Touch the	To
<b>1</b>	Radio button	Select or clear an item.
<b>2</b>	Up arrow	Scroll up.
<b>3</b>	Down arrow	Scroll down.
<b>4</b>	Accept button	Save a setting.
<b>5</b>	Cancel button	<ul style="list-style-type: none"> <li>• Cancel an action or a selection.</li> <li>• Return to the previous screen.</li> </ul>

Touch	To
	Return to the home screen.
	Open a context-sensitive Help dialog on the printer control panel.
	Scroll to the left.
	Scroll to the right.

# Setting up and using the home screen applications

## Notes:

- Your home screen may vary depending on your home screen customization settings, administrative setup, and active embedded applications. Some applications are supported only in some printer models.
- There may be additional solutions and applications available for purchase. For more information, go to [www.lexmark.com](http://www.lexmark.com) or contact the place where you purchased the printer.

## Finding the IP address of the computer

### For Windows users

- 1 In the Run dialog box, type **cmd** to open the command prompt.
- 2 Type **ipconfig**, and then look for the IP address.

### For Macintosh users

- 1 From System Preferences in the Apple menu, select **Network**.
- 2 Select your connection type, and then click **Advanced** > **TCP/IP**.
- 3 Look for the IP address.

## Finding the IP address of the printer

**Note:** Make sure your printer is connected to a network or to a print server.

You can find the printer IP address:

- From the top left corner of the printer home screen.
- From the TCP/IP section in the Network/Ports menu.
- By printing a network setup page or menu settings page, and then finding the TCP/IP section.

**Note:** An IP address appears as four sets of numbers separated by periods, such as 123.123.123.123.

## Accessing the Embedded Web Server

The Embedded Web Server is the printer Web page that lets you view and remotely configure printer settings even when you are not physically near the printer.

- 1 Obtain the printer IP address:
  - From the printer control panel home screen
  - From the TCP/IP section in the Network/Ports menu
  - By printing a network setup page or menu settings page, and then finding the TCP/IP section

**Note:** An IP address appears as four sets of numbers separated by periods, such as **123 . 123 . 123 . 123**.

- 2 Open a Web browser, and then type the printer IP address in the address field.
- 3 Press **Enter**.

**Note:** If you are using a proxy server, then temporarily disable it to load the Web page correctly.

## Customizing the home screen

- 1 Open a Web browser, and then type the printer IP address in the address field.

**Note:** View the printer IP address on the printer home screen. The IP address appears as four sets of numbers separated by periods, such as 123.123.123.123.

- 2 Do one or more of the following:

- Show or hide the icons of basic printer functions.
  - a Click **Settings** > **General Settings** > **Home screen customization**.
  - b Select the check boxes to specify which icons appear on the home screen.

**Note:** If you clear a check box beside an icon, then the icon does not appear on the home screen.

- c Click **Submit**.
- Customize the icon for an application. For more information, see [“Finding information about the home screen applications” on page 19](#) or see the documentation that came with the application.

## Activating the home screen applications


### Finding information about the home screen applications


Your printer comes with preinstalled home screen applications. Before you can use these applications, you must first activate and set up these applications using the Embedded Web Server. For more information on accessing the Embedded Web Server, see [“Accessing the Embedded Web Server” on page 18](#).

For more information on configuring and using the home screen applications, do the following:

- 1 Go to <http://support.lexmark.com>.
- 2 Click **Software Solutions**, and then select either of the following:
  - **Scan to Network**—This lets you find information about the Scan to Network application.
  - **Other Applications**—This lets you find information about the other applications.
- 3 Click the **Manuals** tab, and then select the document for the home screen application.


## Using Background and Idle Screen

Icon	Description
	<p>The application lets you customize the background and idle screen of your printer home screen.</p>

- 1 From the home screen, navigate to:  
**Change Background** > select background to use
- 2 Touch .

## Setting up Forms and Favorites


**Note:** A later version of this *User's Guide* may contain a direct link to the *Administrator's Guide* of this application. To check for updates of this *User's Guide*, go to <http://support.lexmark.com>.

Use	To
	<p>Streamline work processes by letting you quickly find and print frequently used online forms directly from the printer home screen.</p> <p><b>Note:</b> The printer must have permission to access the network folder, FTP site, or Web site where the bookmark is stored. From the computer where the bookmark is stored, use sharing, security, and firewall settings to allow the printer at least a <i>read</i> access. For help, see the documentation that came with your operating system.</p>

- 1 Open a Web browser, and then type the printer IP address in the address field.  
**Note:** View the printer IP address on the printer home screen. The IP address appears as four sets of numbers separated by periods, such as 123.123.123.123.
- 2 Click **Settings** > **Apps** > **Apps Management** > **Forms and Favorites**.
- 3 Click **Add**, and then customize the settings.  
**Notes:**
  - See the mouse-over help beside each field for a description of the setting.
  - To make sure the location settings of the bookmark are correct, type the correct IP address of the host computer where the bookmark is located. For more information on obtaining the IP address of the host computer, see ["Finding the IP address of the computer" on page 18](#).
  - Make sure the printer has access rights to the folder where the bookmark is located.
- 4 Click **Apply**.

To use the application, touch **Forms and Favorites** on the printer home screen, and then navigate through form categories, or search for forms based on a form number, name, or description.

## Understanding Eco-Settings

Icon	Description
	<p>The application lets you easily manage energy consumption, noise, toner, and paper usage settings to help reduce the environmental impact of your printer.</p>

## Setting up Remote Operator Panel

This application enables you to interact with the printer control panel even when you are not physically near the network printer. From your computer, you can view the printer status, release held print jobs, create bookmarks, and do other print-related tasks.

- 1 Open a Web browser, and then type the printer IP address in the address field.

**Note:** View the printer IP address on the printer home screen. The IP address appears as four sets of numbers separated by periods, such as 123.123.123.123.

- 2 Click **Settings > Remote Operator Panel Settings**.
- 3 Select the **Enable** check box, and then customize the settings.
- 4 Click **Submit**.

To use the application, click **Remote Operator Panel > Launch VNC Applet**.

## Exporting and importing a configuration

You can export configuration settings into a text file, and then import the file to apply the settings to other printers.

- 1 Open a Web browser, and then type the printer IP address in the address field.

**Note:** View the IP address on the printer home screen. The IP address appears as four sets of numbers separated by periods, such as 123.123.123.123.

- 2 Export or import a configuration file for one or multiple applications.

### For one application

- a Navigate to:  
**Settings > Apps > Apps Management > select an application > Configure**
- b Export or import the configuration file.

#### Notes:

- If a **JVM Out of Memory** error occurs, then repeat the export process until the configuration file is saved.

- If a timeout occurs and a blank screen appears, then refresh the Web browser, and then click **Apply**.


### **For multiple applications**

- a** Click **Settings > Import/Export**.
- b** Export or import a configuration file.

**Note:** When importing a configuration file, click **Submit** to complete the process.

# Additional printer setup

## Installing internal options

 **CAUTION—SHOCK HAZARD:** If you are accessing the controller board or installing optional hardware or memory devices sometime after setting up the printer, then turn the printer off, and unplug the power cord from the electrical outlet before continuing. If you have any other devices attached to the printer, then turn them off as well, and unplug any cables going into the printer.

You can customize your printer connectivity and memory capacity by adding optional cards.


## Available internal options

### Memory cards

- DDR3 DIMM
- Flash memory
  - Fonts
  - Firmware
    - Forms Barcode
    - Prescribe
    - IPDS
- Hard disk\*

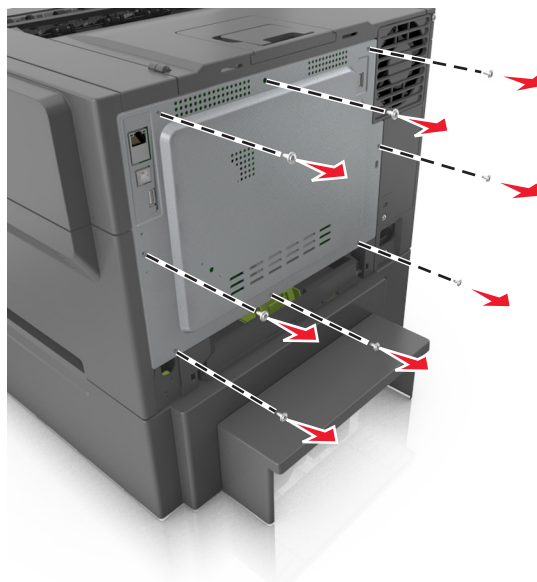
\* This internal option is available only in CS510 printer model.

## Accessing the controller board

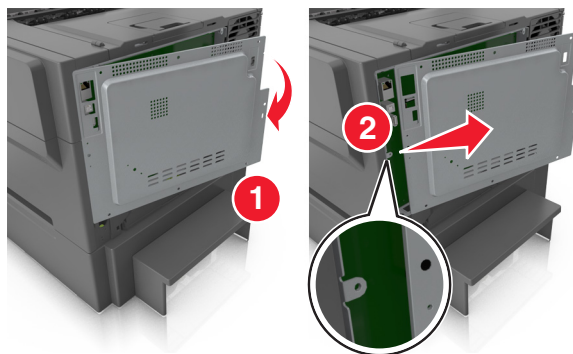
 **CAUTION—SHOCK HAZARD:** If you are accessing the controller board or installing optional hardware or memory devices sometime after setting up the printer, then turn the printer off, and unplug the power cord from the electrical outlet before continuing. If you have any other devices attached to the printer, then turn them off as well, and unplug any cables going into the printer.

**Note:** This task requires a flat-head screwdriver.

- 1 At the back of the printer, turn the screws counterclockwise to remove them.



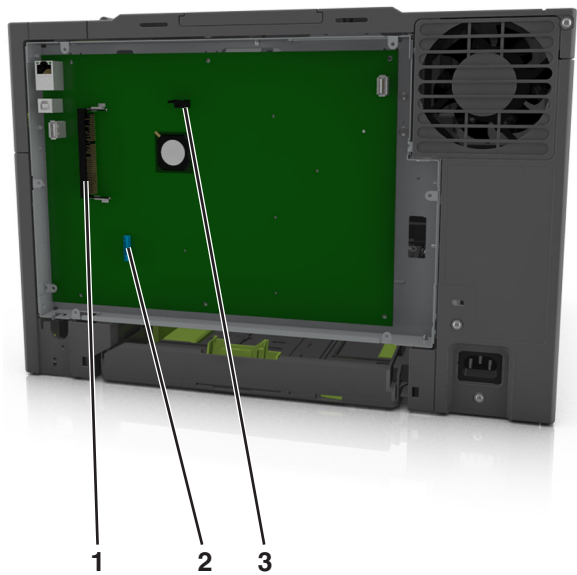
- 2 Slightly open the controller board access cover, and then shift to the right to remove it.



- 3 Locate the appropriate connector on the controller board.

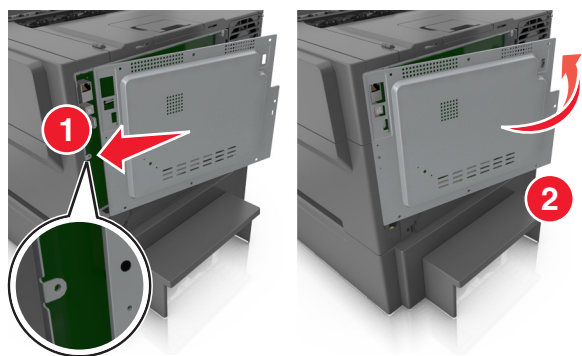
**Warning—Potential Damage:** Controller board electronic components are easily damaged by static electricity. Touch a metal surface on the printer before touching any controller board electronic components or connectors.



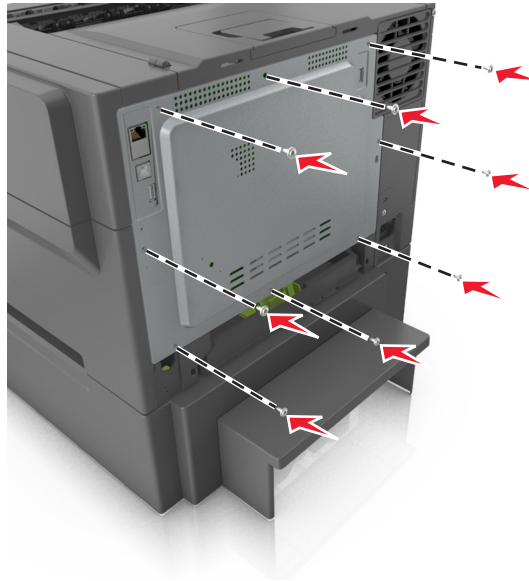


1	Flash memory or font card connector
2	Printer hard disk connector
3	Memory card connector

4 Reattach the cover.



- 5 Turn the screws clockwise to lock the cover.



## Installing a memory card

**⚠ CAUTION—SHOCK HAZARD:** If you are accessing the controller board or installing optional hardware or memory devices sometime after setting up the printer, then turn the printer off, and unplug the power cord from the electrical outlet before continuing. If you have any other devices attached to the printer, then turn them off as well, and unplug any cables going into the printer.

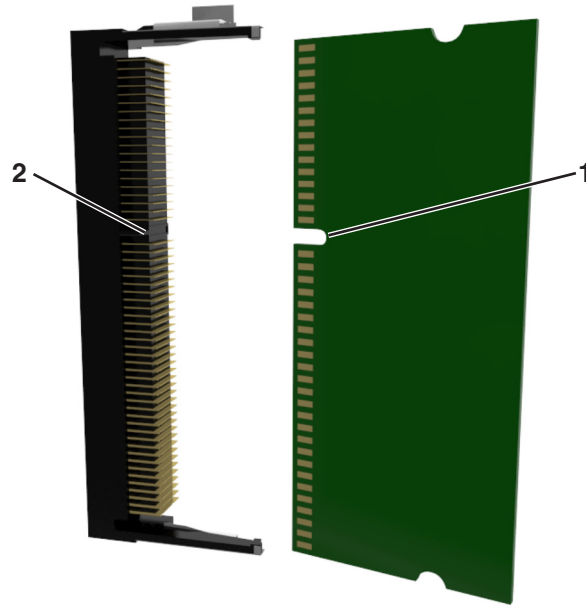
- 1 Access the controller board.

For more information, see [“Accessing the controller board” on page 23](#).

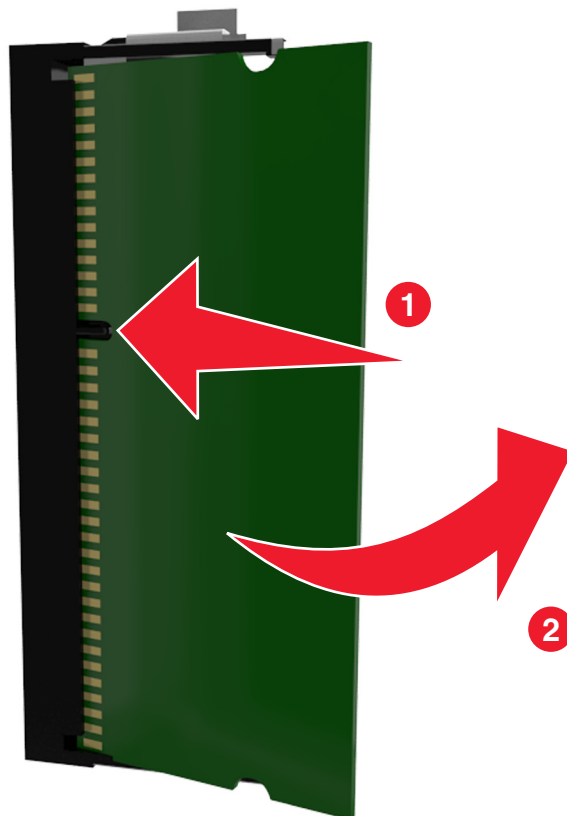
- 2 Unpack the memory card.

**Warning—Potential Damage:** Do not touch the connection points along the edge of the card. Doing so may cause damage.

- 3** Align the notch (1) on the memory card with the ridge (2) on the connector.



- 4** Push the memory card straight into the connector, and then push the card toward the controller board wall until it *clicks* into place.



- 5** Close the controller board access cover.

## Installing an optional card

**⚠ CAUTION—SHOCK HAZARD:** If you are accessing the controller board or installing optional hardware or memory devices sometime after setting up the printer, then turn the printer off, and unplug the power cord from the electrical outlet before continuing. If you have other devices attached to the printer, then turn them off as well, and unplug any cables going into the printer.

**Warning—Potential Damage:** Controller board electronic components are easily damaged by static electricity. Touch a metal surface on the printer before touching any controller board electronic components or connectors.

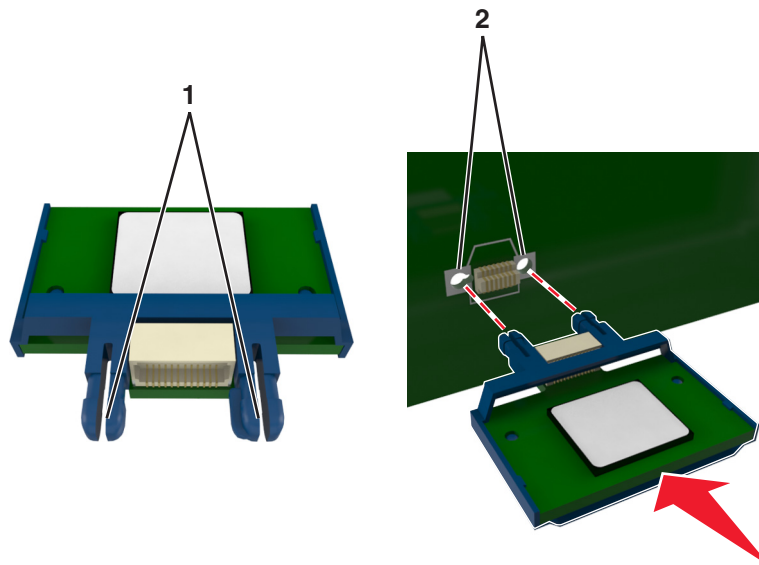
- 1 Access the controller board.

For more information, see [“Accessing the controller board” on page 23](#).

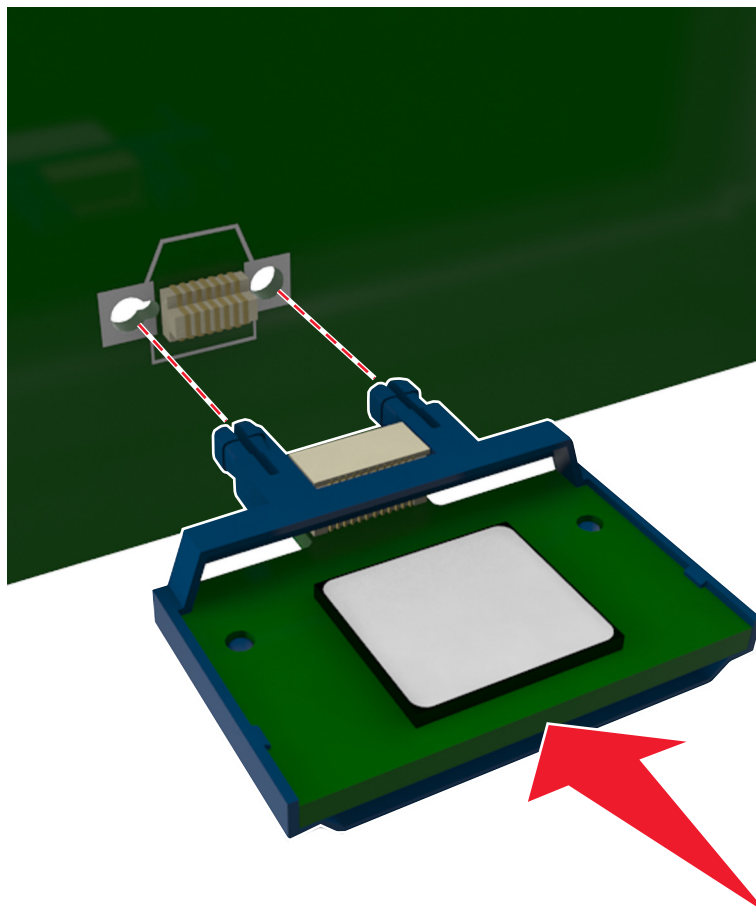
- 2 Unpack the optional card.

**Warning—Potential Damage:** Avoid touching the connection points along the edge of the card.

- 3 Holding the card by its sides, align the plastic pins (1) on the card with the holes (2) on the controller board.



- 4 Push the card firmly into place as shown in the illustration.



**Warning—Potential Damage:** Improper installation of the card may cause damage to the card and the controller board.

**Note:** The entire length of the connector on the card must touch and be flushed against the controller board.

- 5 Close the controller board access door.

**Note:** When the printer software and any hardware options are installed, it may be necessary to manually add the options in the printer driver to make them available for print jobs. For more information, see [“Adding available options in the print driver” on page 36](#).

## Installing a printer hard disk

**Note:** This task requires a flathead screwdriver.

**CAUTION—SHOCK HAZARD:** If you are accessing the controller board or installing optional hardware or memory devices sometime after setting up the printer, then turn the printer off, and unplug the power cord from the electrical outlet before continuing. If you have any other devices attached to the printer, then turn them off as well, and unplug any cables going into the printer.

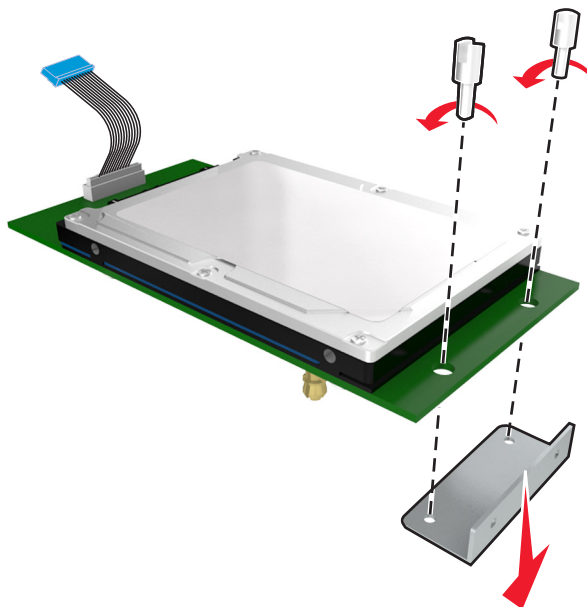
**Warning—Potential Damage:** Controller board electronic components are easily damaged by static electricity. Touch something metal on the printer before touching any controller board electrical components or connectors.

**1** Access the controller board.

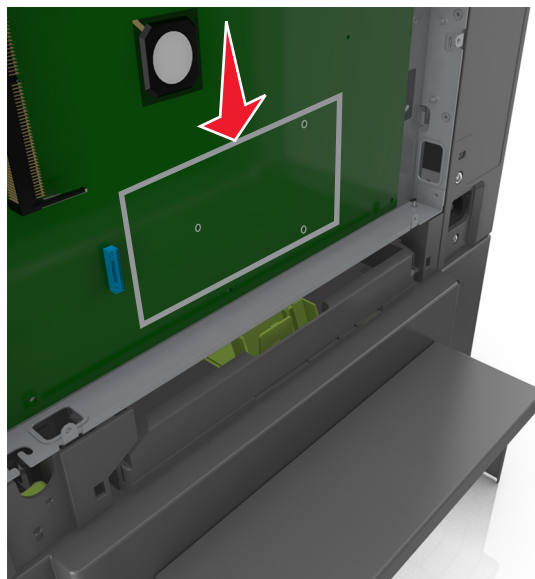
For more information, see [“Accessing the controller board” on page 23](#).

**2** Unpack the printer hard disk.

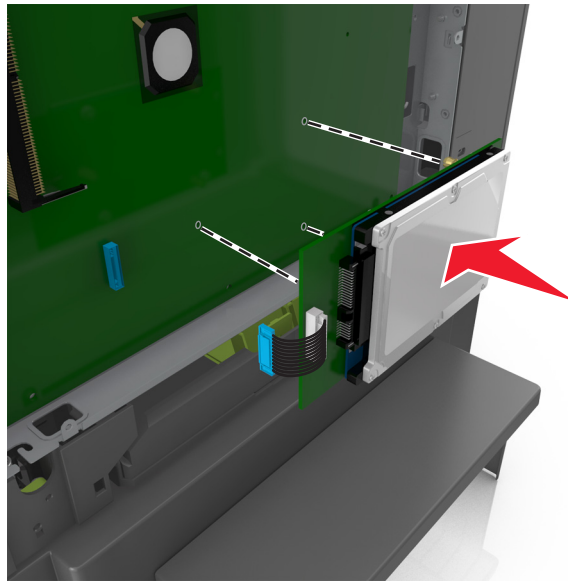
**3** Remove the screws attached to the printer hard disk mounting bracket, and then remove the bracket.



**4** Locate the appropriate connector on the controller board.

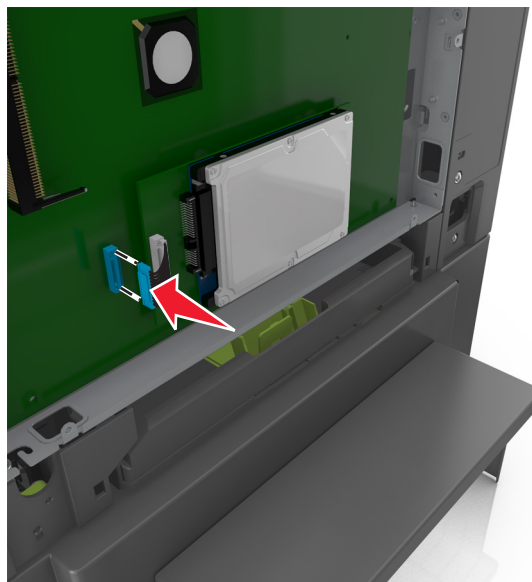


- 5 Align the standoffs of the printer hard disk to the holes in the controller board, and then press the printer hard disk down until the standoffs are in place.



- 6 Insert the plug of the printer hard disk interface cable into the receptacle of the controller board.

**Note:** The plugs and receptacles are color-coded.



- 7 Close the controller board access cover.

**Note:** When the printer software and any hardware options are installed, you may need to manually add the options in the printer driver to make them available for print jobs. For more information, see [“Adding available options in the print driver”](#) on page 36.

## Removing a printer hard disk

**Note:** This task requires a flathead screwdriver.

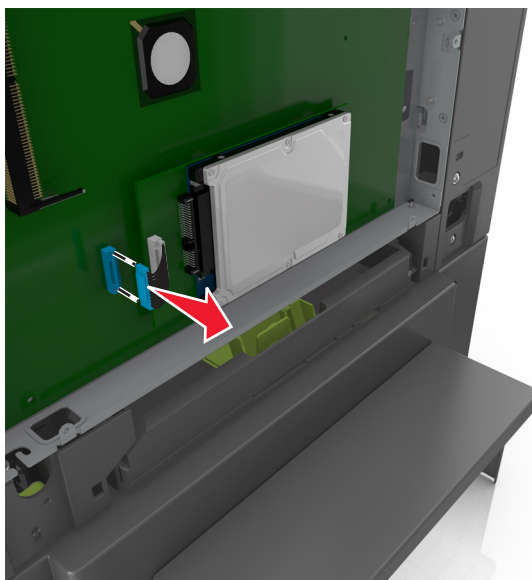
**CAUTION—SHOCK HAZARD:** If you are accessing the controller board or installing optional hardware or memory devices sometime after setting up the printer, then turn the printer off, and unplug the power cord from the electrical outlet before continuing. If you have any other devices attached to the printer, then turn them off as well, and unplug any cables going into the printer.

**Warning—Potential Damage:** Controller board electronic components are easily damaged by static electricity. Touch something metal on the printer first before touching any controller board electronic components or connectors.

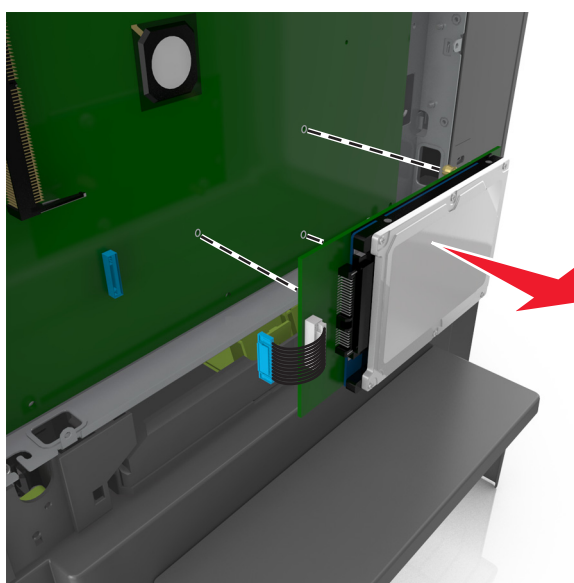
**1** Access the controller board.

For more information, see [“Accessing the controller board” on page 23](#).

**2** Unplug the printer hard disk interface cable from the controller board, leaving the cable attached to the printer hard disk. To unplug the cable, squeeze the paddle at the plug of the interface cable to disengage the latch before pulling the cable out.



**3** Remove the printer hard disk by pulling it away from the controller board.







- 4 Set aside the printer hard disk.
- 5 Close the controller board access cover.

## Installing hardware options

### Order of installation


-  **CAUTION—POTENTIAL INJURY:** The printer weight is greater than 18 kg (40 lb), and requires two or more trained personnel to lift it safely.
-  **CAUTION—SHOCK HAZARD:** If you are accessing the controller board or installing optional hardware or memory devices sometime after setting up the printer, then turn the printer off, and unplug the power cord from the electrical outlet before continuing. If you have any other devices attached to the printer, then turn them off as well, and unplug any cables going into the printer.

Install the printer and any optional tray in the following order:

- Optional 550-sheet tray (Tray 3)
- 650-sheet duo tray (Tray 2)
- Printer

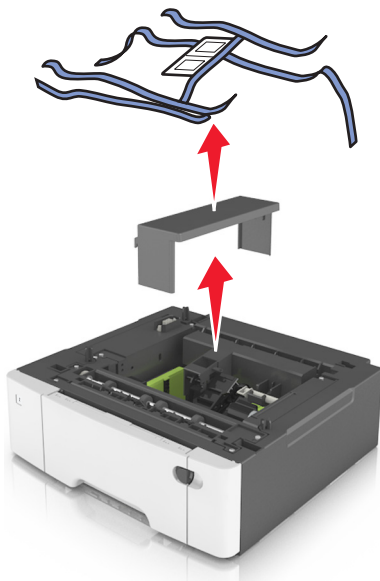
### Installing an optional tray

The printer supports two optional input sources: a 550-sheet tray and a 650-sheet duo tray (Tray 2) with an integrated multipurpose feeder.

-  **CAUTION—POTENTIAL INJURY:** The printer weight is greater than 18 kg (40 lb) and requires two or more trained personnel to lift it safely.

**⚠ CAUTION—SHOCK HAZARD:** If you are accessing the controller board or installing optional hardware or memory devices sometime after setting up the printer, then turn the printer off, and unplug the power cord from the electrical outlet before continuing. If you have any other devices attached to the printer, then turn them off as well, and unplug any cables going into the printer.

- 1 Unpack the optional tray, and then remove all packing material and the dust cover.



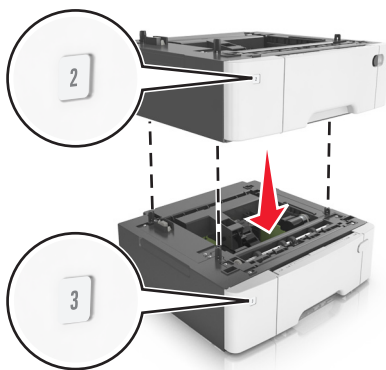
- 2 Label the trays with the supplied tray number labels from the top down.

**Note:** The standard 250-sheet tray must be labeled as Tray 1.

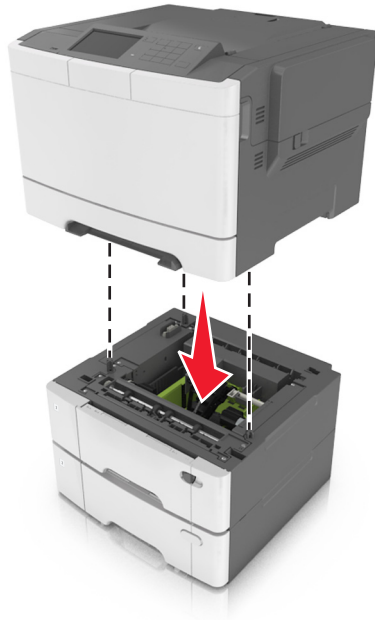
- 3 Place the tray near the printer.

**Note:** If you are installing both the optional trays, then the optional 550-sheet tray must always be installed as the first tray when configuring from the bottom to the top.

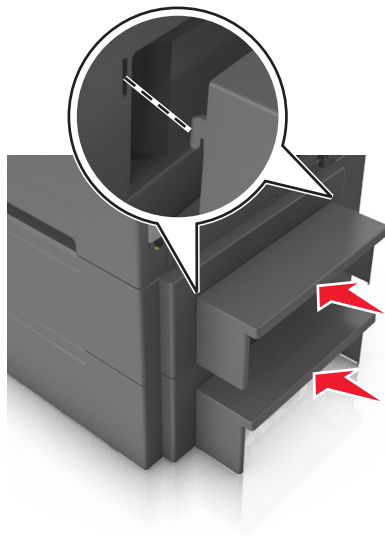
- 4 Align the 650-sheet duo tray with the optional 550-sheet tray, and then lower it into place.



- 5 Align the printer with the 650-sheet duo tray, and then lower the printer into place.



- 6 Install the dust covers.



**Note:** When the printer software and any options are installed, you may need to manually add the options in the printer driver to make them available for print jobs. For more information, see [“Adding available options in the print driver” on page 36](#).

## Setting up the printer software

### Installing the printer software

- 1 Obtain a copy of the software installer package.
  - From the software CD that came with your printer.
  - Go to <http://support.lexmark.com>, and then select your printer and operating system.
- 2 Run the installer, and then follow the instructions on the computer screen.
- 3 For Macintosh users, add the printer.

**Note:** Obtain the printer IP address from the TCP/IP section in the Network/Ports menu.

### Adding available options in the print driver

#### For Windows users

- 1 Open the printers folder.
- 2 Select the printer you want to update, and then do the following:
  - For Windows 7 or later, select **Printer properties**.
  - For earlier versions, select **Properties**.
- 3 Navigate to the Configuration tab, and then select **Update Now - Ask Printer**.
- 4 Apply the changes.

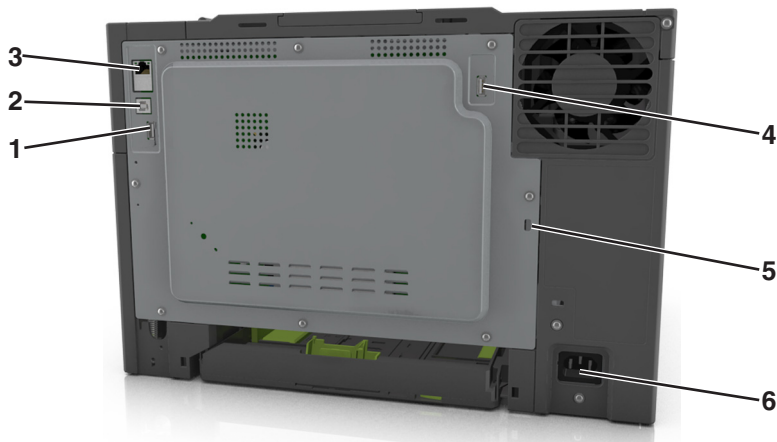
#### For Macintosh users

- 1 From System Preferences in the Apple menu, navigate to your printer, and then select **Options & Supplies**.
- 2 Navigate to the list of hardware options, and then add any installed options.
- 3 Apply the changes.

## Attaching cables

Make sure to match the following:

- The USB symbol on the cable with the USB symbol on the printer
- The appropriate Ethernet cable to the Ethernet port



	Use the	To
1	Rear USB port	Attach a keyboard to the printer.
2	USB printer port	Connect the printer to a computer.
3	Ethernet port	Connect the printer to a network.
4	USB wireless port	Attach an optional wireless network adapter.
5	Security lock port	Lock the system controller board.
6	Printer power cord socket	Connect the printer to a properly grounded electrical outlet.

## Networking

### Notes:

- Purchase a MarkNet™ N8352 wireless network adapter before setting up the printer on a wireless network. For information on installing the wireless network adapter, see the instruction sheet that came with the adapter.
- A Service Set Identifier (SSID) is a name assigned to a wireless network. Wired Equivalent Privacy (WEP), Wi-Fi Protected Access (WPA), WPA2, and 802.1X - RADIUS are types of security used on a network.

### Preparing to set up the printer on an Ethernet network

To configure your printer to connect to an Ethernet network, organize the following information before you begin:

**Note:** If your network automatically assigns IP addresses to computers and printers, continue on to installing the printer.

- A valid, unique IP address for the printer to use on the network
- The network gateway

- The network mask
- A nickname for the printer (optional)

**Note:** A printer nickname can make it easier for you to identify your printer on the network. You can choose to use the default printer nickname, or assign a name that is easier for you to remember.

You will need an Ethernet cable to connect the printer to the network and an available port where the printer can physically connect to the network. Use a new network cable when possible to avoid potential problems caused by a damaged cable.

## Preparing to set up the printer on a wireless network

### Notes:

- Make sure your wireless network adapter is installed in your printer and working properly.
- Make sure your access point (wireless router) is turned on and is working properly.

Make sure you have the following information before setting up the printer on a wireless network:

- **SSID**—The SSID is also referred to as the network name.
- **Wireless Mode (or Network Mode)**—The mode is either infrastructure or ad hoc.
- **Channel (for ad hoc networks)**—The channel defaults to automatic for infrastructure networks.

Some ad hoc networks will also require the automatic setting. Check with your system support person if you are not sure which channel to select.

- **Security Method**—There are three basic options for Security Method:

- WEP key

If your network uses more than one WEP key, then enter up to four in the provided spaces. Select the key currently in use on the network by selecting the default WEP transmit key.

*or*

- WPA or WPA2 preshared key or passphrase

WPA includes encryption as an additional layer of security. The choices are AES or TKIP. Encryption must be set for the same type on the router and on the printer, or the printer will not be able to communicate on the network.

- 802.1X–RADIUS

If you are installing the printer on an 802.1X network, then you may need the following:

- Authentication type
- Inner authentication type
- 802.1X user name and password
- Certificates

- No security

If your wireless network does not use any type of security, then you will not have any security information.

**Note:** Using an unsecured wireless network is not recommended.

### Notes:

- If you do not know the SSID of the network that your computer is connected to, then launch the wireless utility of the computer network adapter, and then look for the network name. If you cannot find the SSID

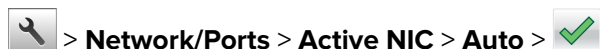
or the security information for your network, then see the documentation that came with the access point, or contact your system support person.

- To find the WPA/WPA2 preshared key/passphrase for the wireless network, see the documentation that came with the access point, see the Web page associated with the access point, or consult your system support person.

## Connecting the printer using the Wireless Setup Wizard

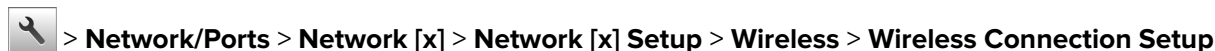
Before you begin, make sure that:

- A wireless network adapter is installed in the printer and is working properly. For more information, see the instruction sheet that came with the wireless network adapter.
- An Ethernet cable is disconnected from the printer.
- Active NIC is set to Auto. To set this to Auto, navigate to:



**Note:** Make sure to turn off the printer, then wait for at least five seconds, and then turn the printer back on.

1 From the printer control panel, navigate to:



2 Select a wireless connection setup.

Use	To
<b>Search for networks</b>	Show available wireless connections. <b>Note:</b> This menu shows all broadcast secured or unsecured SSIDs.
<b>Enter a network name</b>	Manually type the SSID. <b>Note:</b> Make sure to type the correct SSID.
<b>Wi-Fi Protected Setup</b>	Connect the printer to a wireless network using Wi-Fi Protected Setup.

3 Follow the instructions on the printer display.

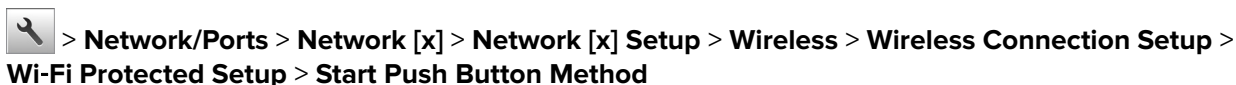
## Connecting the printer to a wireless network using Wi-Fi Protected Setup

Before you begin, make sure that:

- The access point (wireless router) is Wi-Fi Protected Setup (WPS) certified or WPS-compatible. For more information, see the documentation that came with your access point.
- A wireless network adapter installed in your printer is attached and working properly. For more information, see the instruction sheet that came with the wireless network adapter.

### Using the Push Button Configuration method

1 From the printer control panel, navigate to:



2 Follow the instructions on the printer display.

## Using the Personal Identification Number (PIN) method

- 1 From the printer control panel, navigate to:



> **Network/Ports** > **Network [x]** > **Network [x] Setup** > **Wireless** > **Wireless Connection Setup** > **Wi-Fi Protected Setup** > **Start PIN Method**

- 2 Copy the eight-digit WPS PIN.
- 3 Open a Web browser, and then type the IP address of your access point in the address field.

### Notes:

- The IP address appears as four sets of numbers separated by periods, such as 123.123.123.123.
  - If you are using a proxy server, then temporarily disable it to load the Web page correctly.
- 4 Access the WPS settings. For more information, see the documentation that came with your access point.
  - 5 Enter the eight-digit PIN, and then save the setting.

## Connecting the printer to a wireless network using the Embedded Web Server

Before you begin, make sure that:

- Your printer is connected temporarily to an Ethernet network.
- A wireless network adapter is installed in your printer and working properly. For more information, see the instruction sheet that came with your wireless network adapter.

- 1 Open a Web browser, and then type the printer IP address in the address field.

### Notes:

- View the printer IP address in the TCP/IP section in the Network/Ports menu. The IP address appears as four sets of numbers separated by periods, such as 123.123.123.123.
- If you are using a proxy server, then temporarily disable it to load the Web page correctly.

- 2 Click **Settings** > **Network/Ports** > **Wireless**.
- 3 Modify the settings to match the settings of your access point (wireless router).  
**Note:** Make sure to enter the correct SSID.
- 4 Click **Submit**.
- 5 Turn off the printer, and then disconnect the Ethernet cable. Then wait for at least five seconds, and then turn the printer back on.
- 6 To verify if your printer is connected to the network, print a network setup page. Then in the Network Card [x] section, see if the status is “Connected”.

For more information, see the “Verifying printer setup” section of the *User’s Guide*.



## Verifying printer setup

When all hardware and software options are installed and the printer is turned on, verify that the printer is set up correctly by printing the following:

- **Menu settings page**—Use this page to verify that all printer options are installed correctly. A list of installed options appears toward the bottom of the page. If an option you installed is not listed, then it is not installed correctly. Remove the option and install it again.
- **Network setup page**—If your printer is connected to a network or connected to a print server, print a network setup page to verify the network connection. This page also provides important information that aids network printing configuration.

### Printing a menu settings page

From the home screen, navigate to:



> **Reports** > **Menu Settings Page**

### Printing a network setup page

If the printer is attached to a network, then print a network setup page to verify the network connection. This page also provides important information that aids network printing configuration.

- 1 From the home screen, navigate to:



> **Reports** > **Network Setup Page**

- 2 Check the first section of the network setup page, and confirm that the status is **Connected**.

If the status is **Not Connected**, then the LAN drop may not be active, or the network cable may be malfunctioning. Consult a system support person for a solution, and then print another network setup page.

## Loading paper and specialty media

Proper selection and loading of media can improve how reliably documents print. For more information, see [“Avoiding jams” on page 156](#) and [“Storing paper” on page 59](#).

### Setting the paper size and type

From the home screen navigate to:

 > **Paper Menu** > **Paper Size/Type** > select a tray > select the paper size or type > 

### Configuring Universal paper settings

The Universal paper size is a user-defined setting that lets you print on paper sizes that are not preset in the printer menus.

#### Notes:

- The smallest supported Universal size is 76 x 127 mm (3 x 5 inches) and is loaded only in the multipurpose feeder and manual feeder.
- The largest supported Universal size is 215.9 x 359.9 mm (8.5 x 14.17 inches) and is loaded only in the multipurpose feeder and manual feeder.

1 From the home screen, navigate to:


 > **Paper Menu** > **Universal Setup** > **Units of Measure** > select a unit of measure

2 Touch **Portrait Width** or **Portrait Height**.

3 Select the width or height, and then touch .

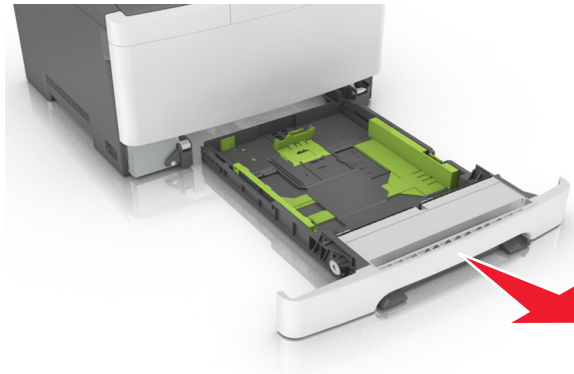
### Loading the 250- and 550-sheet tray

The printer has one 250-sheet tray (Tray 1) with an integrated manual feeder. The 250-sheet tray, the 650-sheet duo tray, and the 550-sheet tray support the same paper sizes and types and are loaded in the same way.

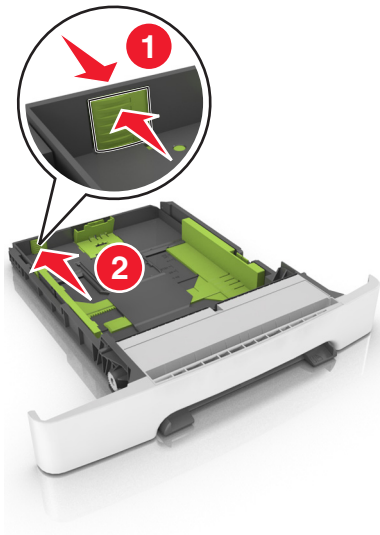
 **CAUTION—POTENTIAL INJURY:** To reduce the risk of equipment instability, load each tray separately. Keep all other trays closed until needed.

1 Pull out the tray completely.

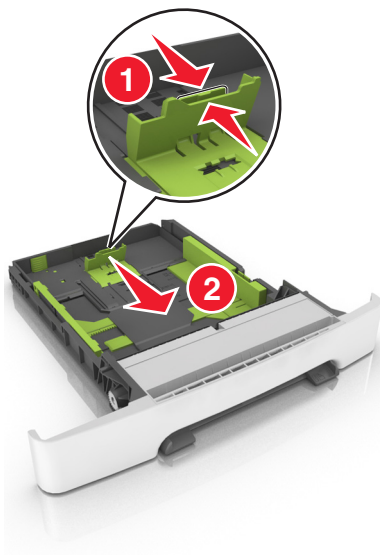
**Note:** Do not remove trays while a job is printing or while **Busy** appears on the display. Doing so may cause a jam.



- 2** If the paper is longer than letter-size paper, then squeeze and then slide the length guide at the back of the tray to extend it.

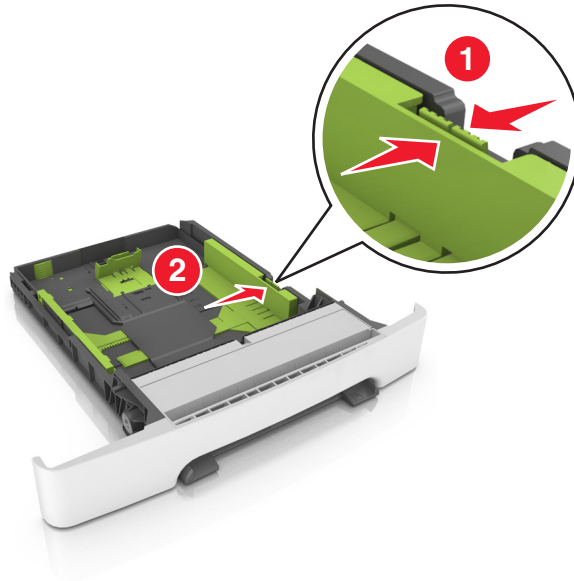


- 3** Squeeze, and then slide the length guide tab to the correct position for the size of the paper being loaded.



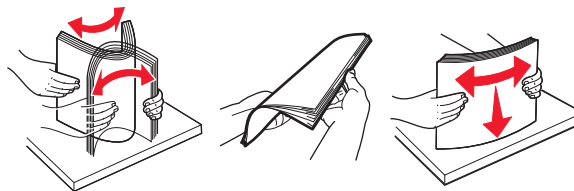
**Note:** Use the paper size indicators on the bottom of the tray to help position the guide.

- 4 Squeeze, and then slide the width guide tab to the correct position for the size of the paper being loaded.

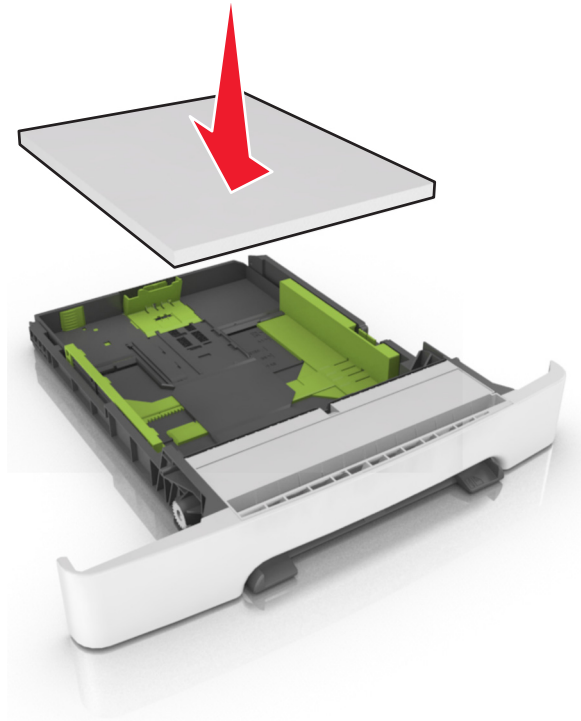


**Note:** Use the paper size indicators on the bottom of the tray to help position the guides.

- 5 Flex the sheets back and forth to loosen them, and then fan them. Do not fold or crease the paper. Straighten the edges on a level surface.

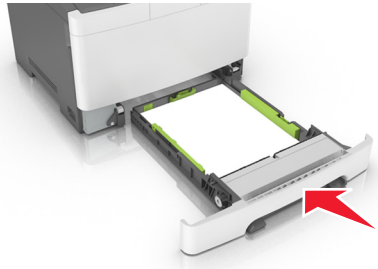


- 6 Load the paper stack with the recommended printable side faceup.



- 7 Place the paper guides securely against the edges of the paper.

- 8 Insert the tray.



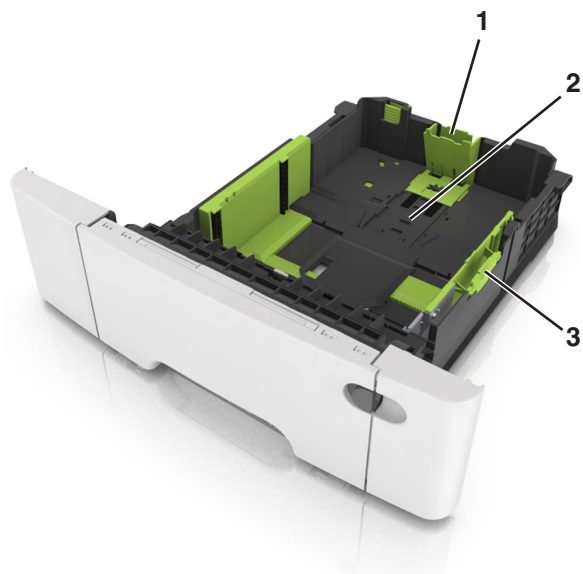
- 9 From the printer control panel, set the paper size and paper type in the Paper menu to match the paper loaded in the tray.

**Note:** Mixing paper sizes or paper types in a tray may cause jams.

## Loading the 650-sheet duo tray

The 650-sheet duo tray (Tray 2) consists of a 550-sheet tray and an integrated 100-sheet multipurpose feeder. The tray is loaded in the same way as the 250-sheet tray and the optional 550-sheet tray, and supports the same paper types and sizes. The only differences are the look of the guide tabs and the location of the paper size indicators.

**⚠ CAUTION—POTENTIAL INJURY:** To reduce the risk of equipment instability, load each tray separately. Keep all other trays closed until needed.



<b>1</b>	Length guide tab
<b>2</b>	Paper size indicator
<b>3</b>	Width guide tab

## Loading the multipurpose feeder

- 1 Push the multipurpose feeder latch to the left.



**2** Open the multipurpose feeder.



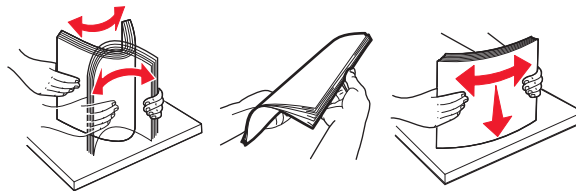
**3** Pull the multipurpose feeder extender.

**Note:** Guide the extender gently so that the multipurpose feeder is fully extended and open.



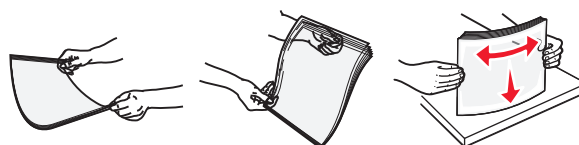
**4** Prepare the paper for loading.

- Flex the sheets of paper back and forth to loosen them, and then fan them. Do not fold or crease the paper. Straighten the edges on a level surface.



- Hold transparencies by the edges, and then fan them. Straighten the edges on a level surface.

**Note:** Avoid touching the printable side of transparencies. Be careful not to scratch them.



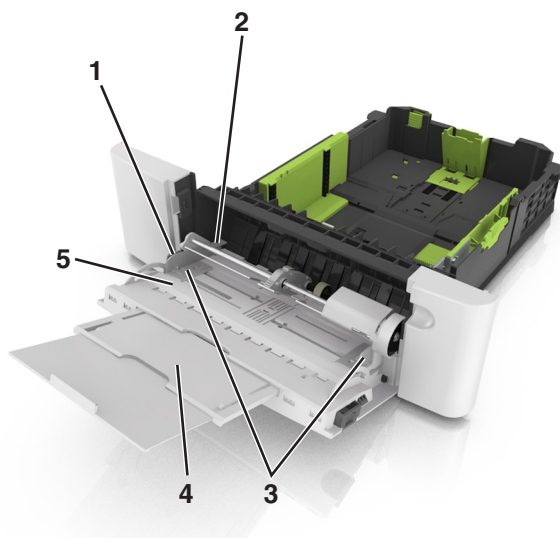
- Flex a stack of envelopes back and forth to loosen them, and then fan them. Straighten the edges on a level surface.

**Warning—Potential Damage:** Never use envelopes with stamps, clasps, snaps, windows, coated linings, or self-stick adhesives. These envelopes may severely damage the printer.



**5** Locate the maximum paper fill indicator and tab.

**Note:** Make sure the paper or specialty media is below the maximum paper fill indicator located on the paper guides.



1	Width guide tab
2	Maximum paper fill indicator
3	Width guide
4	Feeder extender
5	Paper size indicator

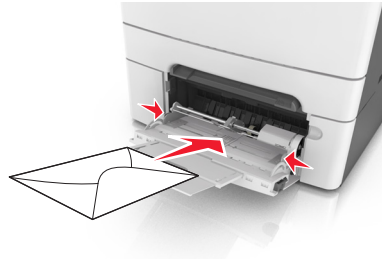
**6** Load the paper, and then adjust the width guide to lightly touch the edge of the paper stack.

- Load paper, card stock, and transparencies with the recommended printable side facedown and the top edge entering the printer first.





- Load envelopes with the flap side up and against the right side of the paper guide.

**Notes:**

- Do not load or close the multipurpose feeder while a job is printing.
- Load only one size and type of paper at a time.
- Paper should lie flat in the multipurpose feeder. Make sure the paper fits loosely in the multipurpose feeder and is not bent or wrinkled.

- 7 From the printer control panel, set the paper size and type in the Paper menu to match the paper loaded in the tray.

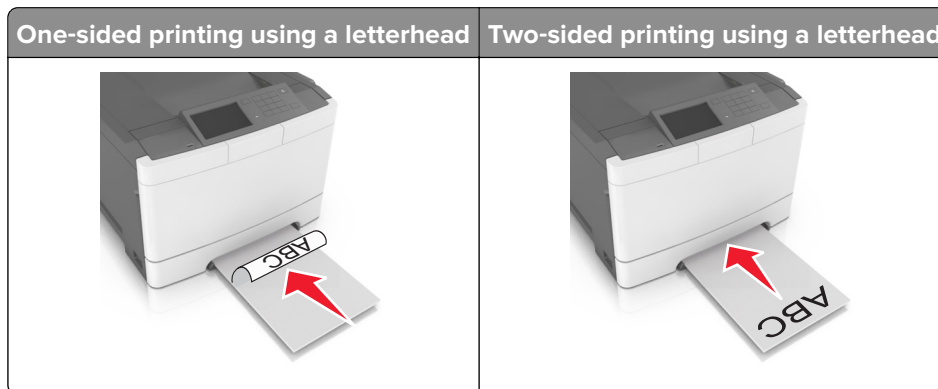
## Loading the manual feeder

The standard 250-sheet tray has an integrated manual feeder that can be used to print on different types of paper one sheet at a time.

- 1 Load a sheet of paper into the manual feeder:

- Printable side facedown for one-sided printing
- Printable side faceup for two-sided (duplex) printing

**Note:** There are different ways for loading letterhead depending on the mode of printing.



- Load envelope with the flap side up and against the right side of the paper guide.

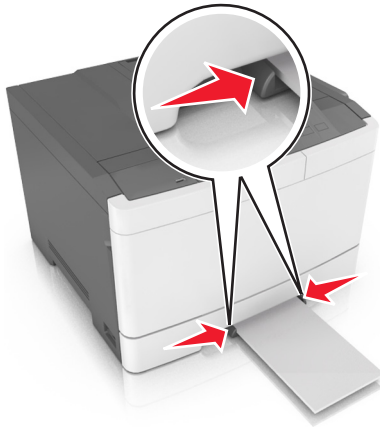


- 2 Feed paper into the manual feeder only to the point where its leading edge can contact the paper guides.

**Note:** To achieve the best possible print quality, use only high-quality media designed for laser printers.

- 3 Adjust the paper guides to the width of the paper loaded.

**Warning—Potential Damage:** Do not force the paper into the feeder. Forcing the paper may cause jams.



## Linking and unlinking trays

The printer links trays when the specified paper size and type are the same. When a linked tray becomes empty, paper feeds from the next linked tray. To prevent trays from linking, assign a unique custom paper type name.

### Linking and unlinking trays

**Note:** This feature applies only in network printers.

- 1 Open a Web browser, and then type the printer IP address in the address field.

**Notes:**

- View the printer IP address in the TCP/IP section in the Network/Ports menu. The IP address appears as four sets of numbers separated by periods, such as 123.123.123.123.

- If you are using a proxy server, then temporarily disable it to load the Web page correctly.

**2** Click **Settings > Paper Menu**.

**3** Change the tray settings to specify the paper size and type for the tray.

- To link trays, make sure the paper size and type for the tray match with that of the other tray.
- To unlink trays, make sure the paper size or type for the tray *does not* match with that of the other tray.

**4** Click **Submit**.

**Warning—Potential Damage:** Paper loaded in the tray should match the paper type name assigned in the printer. The temperature of the fuser varies according to the specified paper type. Printing issues may occur if settings are not properly configured.

## Creating a custom name for a paper type

### Using the Embedded Web Server

**1** Open a Web browser, and then type the printer IP address in the address field.

**Notes:**

- View the printer IP address on the printer home screen. The IP address appears as four sets of numbers separated by periods, such as 123.123.123.123.
- If you are using a proxy server, then temporarily disable it to load the Web page correctly.

**2** Click **Settings > Paper Menu > Custom Names**.

**3** Select a custom name, and then type a custom paper type name.

**4** Click **Submit**.

**5** Click **Custom Types**, and then verify if the new custom paper type name has replaced the custom name.

### Using the printer control panel

**1** From the home screen, navigate to:



**> Paper Menu > Custom Names**

**2** Select a custom name, and then type a custom paper type name.

**3** Touch

**4** Touch **Custom Types**, and then verify that the new custom paper type name has replaced the custom name.

## Assigning a custom paper type

### Using the Embedded Web Server

Assign a custom paper type name to a tray when linking or unlinking trays.

**1** Open a Web browser, and then type the printer IP address in the address field.

**Notes:**

- View the printer IP address on the printer home screen. The IP address appears as four sets of numbers separated by periods, such as 123.123.123.123.
- If you are using a proxy server, then temporarily disable it to load the Web page correctly.

**2** Click **Settings** > **Paper Menu** > **Custom Types**.

**3** Select a custom paper type name, and then select a paper type

**Note:** Paper is the factory default paper type for all user-defined custom names.

**4** Click **Submit**.

**Using the printer control panel**

**1** From the home screen, navigate to:



> **Paper Menu** > **Custom Types**

**2** Select a custom paper type name, and then select a paper type

**Note:** Paper is the factory default paper type for all user-defined custom names.

**3** Touch

# Paper and specialty media guide

**Notes:**

- Make sure that the paper size, type, and weight are set correctly on the computer or on the control panel.
- Flex, fan, and straighten specialty media before loading them.
- The printer may print at a reduced speed to prevent damage to the fuser.
- For more information on card stock and labels, see the *Card Stock & Label Guide* at <http://support.lexmark.com>.





## Using specialty media

### Tips on using letterhead


- Use letterhead designed specifically for laser printers.
- Print a test page on the letterhead being considered for use before buying large quantities.
- Before loading letterhead, flex, fan, and straighten the stacks to prevent sheets from sticking together.
- Page orientation is important when printing on letterhead.

Source	Printing	Printable side	Paper orientation
Trays 	One-sided	Faceup	Load the sheet with the top edge entering the printer first.

**Note:** Check with the manufacturer or vendor to determine whether or not the preprinted letterhead is acceptable for laser printers.

Source	Printing	Printable side	Paper orientation
<p>Trays</p> 	Two-sided	Facedown	Load the sheet with the bottom edge entering the printer first.
<p>Manual feeder</p> 	One-sided	Facedown	Load the sheet with the top edge entering the printer first.
<p>Manual feeder</p> 	Two-sided	Faceup	Load the sheet with the bottom edge entering the printer first.
<p>Multipurpose feeder</p> 	One-sided	Facedown	Load the sheet with the top edge entering the printer first.

**Note:** Check with the manufacturer or vendor to determine whether or not the preprinted letterhead is acceptable for laser printers.

Source	Printing	Printable side	Paper orientation
Multipurpose feeder 	Two-sided	Faceup	Load the sheet with the bottom edge entering the printer first.
<b>Note:</b> Check with the manufacturer or vendor to determine whether or not the preprinted letterhead is acceptable for laser printers.			

## Tips on using transparencies

Print a test page on the transparencies being considered for use before buying large quantities.

- From the printer control panel, set the paper size, type, texture, and weight in the Paper menu to match the transparencies loaded in the tray.
- Print a test page on the transparencies being considered for use before buying large quantities.
- Feed transparencies from the 250-sheet tray, manual feeder, or multipurpose feeder.
- Use transparencies designed specifically for laser printers.
- Avoid getting fingerprints on the transparencies to prevent print quality problems.
- Before loading transparencies, flex, fan, and straighten the stacks to prevent sheets from sticking together.

## Tips on using envelopes

- From the printer control panel, set the paper size, type, texture, and weight in the Paper menu to match the envelopes loaded in the tray.
- Print samples on the envelopes being considered for use before buying large quantities.
- Use envelopes designed specifically for laser printers.
- For best performance, use envelopes made from 90-g/m<sup>2</sup> (24-lb) paper or 25% cotton.
- Use only new envelopes from undamaged packages.
- To optimize performance and minimize jams, do not use envelopes that:
  - Have excessive curl or twist.
  - Are stuck together or damaged in any way.
  - Have windows, holes, perforations, cutouts, or embossing.
  - Have metal clasps, string ties, or folding bars.
  - Have an interlocking design.
  - Have postage stamps attached.
  - Have any exposed adhesive when the flap is in the sealed or closed position.

- Have bent corners.
- Have rough, cockle, or laid finishes.
- Adjust the width guides to fit the width of the envelopes.
- Before loading the envelopes on the tray, flex and fan the envelopes to loosen them. Straighten the edges on a level surface.

**Note:** A combination of high humidity (over 60%) and high printing temperature may wrinkle or seal envelopes.

## Tips on using labels

- From the printer control panel, set the paper size, type, texture, and weight in the Paper menu to match the labels loaded in the tray.
- Print samples on labels being considered for use before buying large quantities.
- For more information on label printing, characteristics, and design, see the *Card Stock & Label Guide* at <http://support.lexmark.com>.
- Use labels designed specifically for laser printers.
- Do not use labels with slick backing material.
- Use full label sheets. Partial sheets may cause labels to peel off during printing, resulting in a jam. Partial sheets also contaminate the printer and the cartridge with adhesive, and could void the printer and toner cartridge warranties.
- Do not use labels with exposed adhesive.
- Before loading labels on the tray, flex and fan labels to loosen them. Straighten the edges on a level surface.

## Tips on using card stock

Card stock is heavy, single-ply specialty media. Many of its variable characteristics, such as moisture content, thickness, and texture, can significantly affect print quality.

- From the printer control panel, set the paper size, type, texture, and weight in the Paper menu to match the card stock loaded in the tray.
- Print samples on the card stock being considered for use before buying large quantities.
- Specify the paper texture and weight from the tray settings to match the paper loaded in the tray.
- Preprinting, perforation, and creasing may significantly affect the print quality and cause jams or other paper feed problems.
- Before loading the card stock on the tray, flex and fan the card stock to loosen them. Straighten the edges on a level surface.

## Paper guidelines

Select the correct paper or specialty media to reduce printing problems. For the best print quality, try a sample of the paper or specialty media before buying large quantities.

## Paper characteristics

The following paper characteristics affect print quality and reliability. Consider these characteristics when evaluating new paper stock.



## Weight

The printer trays can automatically feed paper weights up to 176-g/m<sup>2</sup> (47-lb) bond grain long paper. The multipurpose feeder can automatically feed paper weights up to 176-g/m<sup>2</sup> (47-lb) bond grain long paper. Paper lighter than 60 g/m<sup>2</sup> (16 lb) might not be stiff enough to feed properly, causing jams. For best performance, use 75-g/m<sup>2</sup> (20-lb) bond grain long paper. For paper smaller than 182 x 257 mm (7.2 x 10.1 inches), we recommend 90 g/m<sup>2</sup> (24 lb) or heavier paper.

**Note:** Duplex printing is supported from 60–105-g/m<sup>2</sup> (16–28-lb) bond grain long paper.

## Curl

Curl is the tendency for paper to curl at its edges. Excessive curl can cause paper feeding problems. Curl can occur after the paper passes through the printer, where it is exposed to high temperatures. Storing paper unwrapped in hot, humid, cold, or dry conditions, even in the trays, can contribute to paper curling prior to printing and can cause feeding problems.

## Smoothness

Paper smoothness directly affects print quality. If paper is too rough, then toner cannot fuse to it properly. If paper is too smooth, then it can cause paper feeding or print quality issues. Always use paper between 100 and 300 Sheffield points; smoothness between 150 and 250 Sheffield points produces the best print quality.

## Moisture content

The amount of moisture in paper affects both print quality and the ability of the printer to feed the paper correctly. Leave paper in its original wrapper until it is time to use it. This limits the exposure of paper to moisture changes that can degrade its performance.

Store paper in its original wrapper in the same environment as the printer for 24 to 48 hours before printing. Extend the time to several days if the storage or transportation environment is very different from the printer environment. Thick paper may also require a longer conditioning period.

## Grain direction

Grain refers to the alignment of the paper fibers in a sheet of paper. Grain is either *grain long*, running the length of the paper, or *grain short*, running the width of the paper.

For 60–90-g/m<sup>2</sup> (16–24-lb) bond paper, grain long paper is recommended.

## Fiber content

Most high-quality xerographic paper is made from 100% chemically treated pulped wood. This content provides the paper with a high degree of stability resulting in fewer paper feeding problems and better print quality. Paper containing fibers such as cotton can negatively affect paper handling.

## Unacceptable paper

The following paper types are not recommended for use with the printer:

- Chemically treated papers used to make copies without carbon paper, also known as carbonless papers, carbonless copy paper (CCP), or no carbon required (NCR) paper
- Preprinted papers with chemicals that may contaminate the printer
- Preprinted papers that can be affected by the temperature in the printer fuser

- Preprinted papers that require a registration (the precise print location on the page) greater than  $\pm 2.3$  mm ( $\pm 0.9$  in.), such as optical character recognition (OCR) forms

In some cases, registration can be adjusted with a software application to successfully print on these forms.

- Coated papers (erasable bond), synthetic papers, thermal papers
- Rough-edged, rough or heavily textured surface papers, or curled papers
- Recycled papers that fail EN12281:2002 (European)
- Paper weighing less than  $60 \text{ g/m}^2$  (16 lb)
- Multiple-part forms or documents

## Selecting paper

Using the appropriate paper prevents jams and helps ensure trouble-free printing.

To help avoid paper jams and poor print quality:

- *Always* use new, undamaged paper.
- Before loading paper, know the recommended printable side of the paper. This information is usually indicated on the paper package.
- *Do not* use paper that has been cut or trimmed by hand.
- *Do not* mix paper sizes, types, or weights in the same tray; mixing results in jams.
- *Do not* use coated papers unless they are specifically designed for electrophotographic printing.

## Selecting preprinted forms and letterhead

Use these guidelines when selecting preprinted forms and letterhead:

- Use grain long for  $60\text{--}90 \text{ g/m}^2$  (16–24 lb) paper.
- Use only forms and letterhead printed using an offset lithographic or engraved printing process.
- Avoid papers with rough or heavily textured surfaces.

Use papers printed with heat-resistant inks designed for use in xerographic copiers. The ink must be able to withstand temperatures up to  $230^\circ\text{C}$  ( $446^\circ\text{F}$ ) without melting or releasing hazardous emissions. Use inks that are not affected by the resin in toner. Inks that are oxidation-set or oil-based generally meet these requirements; latex inks might not. When in doubt, contact the paper supplier.

Preprinted papers such as letterhead must be able to withstand temperatures up to  $230^\circ\text{C}$  ( $446^\circ\text{F}$ ) without melting or releasing hazardous emissions.

## Using recycled paper and other office papers

As an environmentally conscious company, Lexmark supports the use of recycled office paper produced specifically for use in laser (electrophotographic) printers. In 1998, Lexmark presented to the US government a study demonstrating that recycled paper produced by major mills in the US fed as well as non-recycled paper. However, no blanket statement can be made that *all* recycled paper will feed well.

Lexmark consistently tests its printers with recycled paper (20–100% post-consumer waste) and a variety of test paper from around the world, using chamber tests for different temperature and humidity conditions. Lexmark has found no reason to discourage the use of today's recycled office papers, but generally the following property guidelines apply to recycled paper.

- Low moisture content (4–5%)

- Suitable smoothness (100–200 Sheffield units, or 140–350 Bendtsen units, European)

**Note:** Some much smoother papers (such as premium 24 lb laser papers, 50–90 Sheffield units) and much rougher papers (such as premium cotton papers, 200–300 Sheffield units) have been engineered to work very well in laser printers, despite surface texture. Before using these types of paper, consult your paper supplier.

- Suitable sheet-to-sheet coefficient of friction (0.4–0.6)
- Sufficient bending resistance in the direction of feed

Recycled paper, paper of lower weight (<60 g/m<sup>2</sup> [16 lb bond]) and/or lower caliper (<3.8 mils [0.1 mm]), and paper that is cut grain-short for portrait (or short-edge) fed printers may have lower bending resistance than is required for reliable paper feeding. Before using these types of paper for laser (electrophotographic) printing, consult your paper supplier. Remember that these are general guidelines only and that paper meeting these guidelines may still cause paper feeding problems in any laser printer (for example, if the paper curls excessively under normal printing conditions).

## Storing paper

Use these paper storage guidelines to help avoid jams and uneven print quality:

- For best results, store paper where the temperature is 21°C (70°F) and the relative humidity is 40 percent. Most label manufacturers recommend printing in a temperature range of 18–24°C (65–75°F) with relative humidity between 40 and 60 percent.
- Store paper in cartons, on a pallet or shelf, rather than on the floor.
- Store individual packages on a flat surface.
- Do not store anything on top of individual paper packages.
- Take paper out of the carton or wrapper only when you are ready to load it in the printer. The carton and wrapper help keep the paper clean, dry, and flat.

## Supported paper sizes, types, and weights

The following tables provide information on standard and optional paper sources and the sizes, types, and weights of paper they support.

**Note:** For unlisted paper sizes, select the closest *larger* listed size.

### Supported paper sizes

**Note:** Your printer model may have a 650-sheet duo tray, which consists of a 550-sheet tray and an integrated 100-sheet multipurpose feeder. The 550-sheet tray of the 650-sheet duo tray supports the same paper sizes as the optional 550-sheet tray. The integrated multipurpose feeder supports different paper sizes, types, and weights.

Paper size and dimension	Standard 250-sheet tray	Manual feeder	650-sheet duo tray		550-sheet tray	Duplex mode
			550-sheet tray	Multipurpose feeder		
<b>A4</b> 210 x 297 mm (8.3 x 11.7 in.)	√ <sup>1</sup>	✓	√ <sup>1</sup>	√ <sup>1</sup>	√ <sup>1</sup>	✓
<b>A5</b> 148 x 210 mm (5.83 x 8.3 in.)	√ <sup>1</sup>	✓	√ <sup>2</sup>	√ <sup>1</sup>	√ <sup>2</sup>	X
<b>A6</b> 105 x 148 mm (4.1 x 5.8 in.)	X	✓	X	√ <sup>1</sup>	X	X
<b>JIS B5</b> 182 x 257 mm (7.2 x 10.1 in.)	√ <sup>1</sup>	✓	√ <sup>1</sup>	√ <sup>1</sup>	√ <sup>1</sup>	X
<b>Letter</b> 216 x 279 mm (8.5 x 11 in.)	√ <sup>1</sup>	✓	√ <sup>1</sup>	√ <sup>1</sup>	√ <sup>1</sup>	✓
<b>Legal</b> 216 x 356 mm (8.5 x 14 in.)	√ <sup>1</sup>	✓	√ <sup>1</sup>	√ <sup>1</sup>	√ <sup>1</sup>	✓
<b>Executive</b> 184 x 267 mm (7.3 x 10.5 in.)	√ <sup>1</sup>	✓	√ <sup>1</sup>	√ <sup>1</sup>	√ <sup>1</sup>	X
<b>Oficio (Mexico)</b> 216 x 340 mm (8.5 x 13.4 in.)	√ <sup>1</sup>	✓	√ <sup>1</sup>	√ <sup>1</sup>	√ <sup>1</sup>	✓
<b>Folio</b> 216 x 330 mm (8.5 x 13 in.)	√ <sup>1</sup>	✓	√ <sup>1</sup>	√ <sup>1</sup>	√ <sup>1</sup>	✓
<b>Statement</b> 140 x 216 mm (5.5 x 8.5 in.)	X	✓	X	√ <sup>1</sup>	X	X

<sup>1</sup> The paper source supports paper size without *size sensing*.

<sup>2</sup> Universal is only supported in the standard 250 and optional 550 sheet tray if the paper size is from 148 x 215.9 mm (5.83 x 8.5 inches) to 215.9 x 355.6 mm (8.5 x 14 inches).

<sup>3</sup> Universal is only supported in the multipurpose feeder and manual feeder if the paper size is from 76.2 x 127 mm (3 x 5 inches) to 215.9 x 359.9 mm (8.5 x 14.17 inches).

<sup>4</sup> Universal is only supported in duplex mode if the width is between 210 mm (8.27 inches) and 215.9 mm (8.5 inches) and length is between 279.4 mm (11 inches) and 355.6 mm (14 inches).

Paper size and dimension	Standard 250-sheet tray	Manual feeder	650-sheet duo tray		550-sheet tray	Duplex mode
			550-sheet tray	Multipurpose feeder		
<b>Universal</b> 76 x 127 mm (3 x 5 in.) to 216 x 356 mm (8.5 x 14 in.)	X	√ <sup>1,3</sup>	X	√ <sup>1,3</sup>	X	X
<b>Universal</b> 148 x 210 mm (5.8 x 8.3 in) to 216 x 356 mm (8.5 x 14 in.)	√ <sup>1,2</sup>	√	√ <sup>1,2</sup>	√	√ <sup>1,2</sup>	√ <sup>4</sup>
<b>7 3/4 Envelope (Monarch)</b> 98 x 191 mm (3.9 x 7.5 in.)	X	√	X	√ <sup>1</sup>	X	X
<b>9 Envelope</b> 98 x 225 mm (3.9 x 8.9 in.)	X	√	X	√ <sup>1</sup>	X	X
<b>10 Envelope</b> 105 x 241 mm (4.1 x 9.5 in.)	X	√	X	√ <sup>1</sup>	X	X
<b>DL Envelope</b> 110 x 220 mm (4.3 x 8.7 in.)	X	√	X	√ <sup>1</sup>	X	X
<b>C5 Envelope</b> 162 x 229 mm (6.4 x 9 in.)	X	√	X	√ <sup>1</sup>	X	X
<b>B5 Envelope</b> 176 x 250 mm (6.9 x 9.8 in.)	X	√	X	√ <sup>1</sup>	X	X
<b>Other Envelope</b> 98 x 162 mm (3.9 x 6.3 in.) up to 176 x 250 mm (6.9 x 9.8 in.)	X	√	X	√ <sup>1</sup>	X	X

<sup>1</sup> The paper source supports paper size without *size sensing*.

<sup>2</sup> Universal is only supported in the standard 250and optional 550sheet tray if the paper size is from 148 x 215.9 mm (5.83 x 8.5 inches) to 215.9 x 355.6 mm (8.5 x 14 inches).

<sup>3</sup>Universal is only supported in the multipurpose feeder and manual feeder if the paper size is from 76.2 x 127 mm (3 x 5 inches) to 215.9 x 359.9 mm (8.5 x 14.17 inches).

<sup>4</sup>Universal is only supported in duplex mode if the width is between 210 mm (8.27 inches) and 215.9 mm (8.5 inches) and length is between 279.4 mm (11 inches) and 355.6 mm (14 inches).

## Supported paper types and weights

### Notes:

- Your printer model may have a 650-sheet duo tray, which consists of a 550-sheet tray and an integrated 100-sheet multipurpose feeder. The 550-sheet tray of the 650-sheet duo tray supports the same paper as the 550-sheet tray. The integrated multipurpose feeder supports different paper sizes, types, and weights.
- Labels, transparencies, envelopes, and card stock always print at reduced speed.

Paper type	250-sheet tray	Manual feeder	650-sheet duo tray		550-sheet tray	Duplex mode
			550-sheet tray	Multipurpose feeder		
<b>Paper</b> <ul style="list-style-type: none"> <li>Plain</li> <li>Recycled</li> <li>Glossy</li> <li>Bond</li> <li>Letterhead</li> <li>Preprinted</li> <li>Colored</li> <li>Light</li> <li>Heavy</li> <li>Rough/Cotton</li> <li>Custom Type [x]</li> </ul>	✓	✓	✓	✓	✓	✓
<b>Card stock</b>	✓	✓	✓	✓	✓	X
<b>Transparencies</b>	✓	✓	X	✓	X	X
<b>Labels</b> <ul style="list-style-type: none"> <li>Paper</li> </ul>	✓	✓	✓	✓	✓	X
<b>Envelope</b>	X	✓	X	✓	X	X

# Printing

## Printing forms and documents

### Printing forms

- 1 From the home screen, navigate to:  
**Forms and Favorites** > select form > **Print**
- 2 If necessary, configure the print settings.
- 3 Send the print job.

### Printing from a computer

**Note:** For labels, card stock, and envelopes, set the paper size and type in the printer before sending the print job.

- 1 From the document that you are trying to print, open the Print dialog.
- 2 If necessary, adjust the settings.
- 3 Send the print job.

### Printing in black and white

From the home screen, navigate to:

 > **Settings** > **Print Settings** > **Quality Menu** > **Print Mode** > **Black Only** > 

### Adjusting toner darkness

#### Using the Embedded Web Server

- 1 Open a Web browser, and then type the printer IP address in the address field.

**Notes:**

- View the printer IP address on the printer home screen. The IP address appears as four sets of numbers separated by periods, such as 123.123.123.123.
- If you are using a proxy server, then temporarily disable it to load the Web page correctly.


- 2 Click **Settings** > **Print Settings** > **Quality Menu** > **Toner Darkness**.
- 3 Adjust the setting, and then click **Submit**.

## Using the printer control panel

1 From the home screen, navigate to:



> **Settings** > **Print Settings** > **Quality Menu** > **Toner Darkness**

2 Adjust the setting, and then touch .

## Using Max Speed and Max Yield

Max Speed and Max Yield let you choose between a faster print speed or a higher toner yield. Max Yield is the factory default setting.

- **Max Speed**—This lets you print in either black or color depending on what is set in the printer driver. The printer prints in color unless Black Only is selected in the printer driver.
- **Max Yield**—This lets you switch from black to color based on the color content found on each page. Frequent color mode switching can result to slower printing if the content of pages is mixed.

## Using the Embedded Web Server

1 Open a Web browser, and then type the printer IP address in the address field.

### Notes:

- View the printer IP address on the printer home screen. The IP address appears as four sets of numbers separated by periods, such as 123.123.123.123.
- If you are using a proxy server, then temporarily disable it to load the Web page correctly.

2 Click **Settings** > **Print Settings** > **Setup Menu**.

3 From the Printer Usage list, select **Max Speed** or **Max Yield**.

4 Click **Submit**.

## Using the printer control panel

1 From the home screen, navigate to:



> **Settings** > **Print Settings** > **Setup Menu**

2 From the Printer Usage list, select **Max Speed** or **Max Yield**.

3 Touch **Submit**.



# Printing from a flash drive

## Printing from a flash drive

### Notes:

- Before printing an encrypted PDF file, you will be prompted to type the file password from the printer control panel.
- You cannot print files for which you do not have printing permissions.

**1** Insert a flash drive into the USB port.



### Notes:

- A flash drive icon appears on the printer home screen when a flash drive is inserted.
- If you insert the flash drive when the printer requires attention, such as when a jam has occurred, then the printer ignores the flash drive.
- If you insert the flash drive while the printer is processing other print jobs, then **Busy** appears. After these print jobs are processed, you may need to view the held jobs list to print documents from the flash drive.

**Warning—Potential Damage:** Do not touch the printer or the flash drive in the area shown while actively printing, reading, or writing from the memory device. Loss of data can occur.



**2** From the printer control panel, touch the document you want to print.

**3** Touch the arrows to specify the number of copies for printing, and then touch **Print**.

**Notes:**

- Do not remove the flash drive from the USB port until the document has finished printing.
- If you leave the flash drive in the printer after leaving the initial USB menu screen, then touch **Held Jobs** on the home screen to print files from the flash drive.

## Supported flash drives and file types

**Notes:**

- High-speed USB flash drives must support the full-speed standard. Low-speed USB devices are not supported.
- USB flash drives must support the File Allocation Table (FAT) system. Devices formatted with New Technology File System (NTFS) or any other file system are not supported.

Recommended flash drives	File type
<ul style="list-style-type: none"> <li>• Lexar JumpDrive FireFly (512MB and 1GB)</li> <li>• SanDisk Cruzer Micro (512MB and 1GB)</li> <li>• Sony Micro Vault Classic (512MB and 1GB)</li> </ul>	<p>Documents:</p> <ul style="list-style-type: none"> <li>• .pdf</li> <li>• .xps</li> </ul> <p>Images:</p> <ul style="list-style-type: none"> <li>• .dcx</li> <li>• .gif</li> <li>• .jpeg or .jpg</li> <li>• .bmp</li> <li>• .pcx</li> <li>• .tiff or .tif</li> <li>• .png</li> <li>• .fls</li> </ul>

## Printing from a mobile device

**Notes:**

- Make sure that the printer and mobile device share the same wireless network. For more information on configuring the wireless settings of your mobile device, see the documentation that came with the device.
- Mobile printing is available only in some printer models.

### Printing from a mobile device using Mopria Print Service

Mopria® Print Service is a mobile printing solution for mobile devices running on Android version 4.4 or later. It allows you to print directly to any Mopria-certified printer.

**Note:** Before printing, make sure that the Mopria Print Service is enabled.

- 1 From the home screen of your mobile device, launch a compatible application.
- 2 Tap **Print**, and then select the printer.
- 3 Send the print job.

## Printing from a mobile device using Google Cloud Print

Google Cloud Print™ is a mobile printing service that allows enabled applications on mobile devices to print to any Google Cloud Print-ready printer.

- 1 From the home screen of your mobile device, launch an enabled application.
- 2 Tap **Print**, and then select the printer.
- 3 Send the print job.

## Printing from a mobile device using AirPrint

AirPrint is a mobile printing solution that allows you to print directly from Apple devices to an AirPrint-certified printer.

### Notes:

- This application is supported only in some Apple devices.
  - This application is supported only in some printer models.
- 1 From the home screen of your mobile device, launch a compatible application.
  - 2 Select an item to print, and then tap the share icon.
  - 3 Tap **Print**, and then select a printer.
  - 4 Print the document.

## Printing from a mobile device using Lexmark Mobile Print

Lexmark™ Mobile Print allows you to send documents and images directly to a supported Lexmark printer.

- 1 Open the document, and then send or share the document to Lexmark Mobile Print.  
**Note:** Some third-party applications may not support the send or share feature. For more information, see the documentation that came with the application.
- 2 Select a printer.
- 3 Print the document.

# Printing confidential and other held jobs

## Storing print jobs in the printer

1 From the home screen, navigate to:

 > **Security** > **Confidential Print** > select a print job type

Use	To
Max Invalid PIN	Limit the number of times an invalid PIN can be entered. <b>Note:</b> When the limit is reached, the print jobs for that user name and PIN are deleted.
Confidential Job Expiration	Hold print jobs in the computer until you enter the PIN from the printer control panel. <b>Note:</b> The PIN is set from the computer. It must be four digits, using the numbers 0–9.
Repeat Job Expiration	Print and store print jobs in the printer memory.
Verify Job Expiration	Print one copy of a print job and hold the remaining copies. It lets you examine if the first copy is satisfactory or not. The print job is automatically deleted from the printer memory when all copies are printed.
Reserve Job Expiration	Store print jobs for printing at a later time. <b>Note:</b> The print jobs are held until deleted from the Held Jobs menu.
<b>Notes:</b> <ul style="list-style-type: none"> <li>• Confidential, Verify, Reserve, and Repeat print jobs may be deleted if the printer requires extra memory to process additional held jobs.</li> <li>• You can set the printer to store print jobs in the printer memory until you start the print job from the printer control panel.</li> <li>• All print jobs that can be initiated by the user at the printer are called <i>held jobs</i>.</li> </ul>	

2 Touch .

## Printing held jobs

- 1 From the document that you are trying to print, open the Print dialog.
- 2 Select the printer, and then do either of the following:
  - For Windows users, click **Properties** or **Preferences**, and then click **Print and Hold**.
  - For Macintosh users, select **Print and Hold**.
- 3 Select the print job type.
- 4 If necessary, assign a user name.
- 5 Send the print job.

- 6 From the printer home screen, touch **Held Jobs**.
- 7 Send the print job.

## Printing information pages

### Printing a font sample list

- 1 From the home screen, navigate to:



> **Reports** > **Print Fonts**

- 2 Touch **PCL Fonts** or **PostScript Fonts**.

### Printing a directory list

A directory list shows the resources stored in a flash memory or on the printer hard disk.


From the home screen, navigate to:




> **Reports** > **Print Directory**

## Canceling a print job

### Canceling a print job from the printer control panel

- 1 From the printer control panel, touch **Cancel Job** or press  on the keypad.
- 2 Touch the print job you want to cancel, and then touch **Delete Selected Jobs**.

**Note:** If you press  on the keypad, then touch **Resume** to return to the home screen.

### Canceling a print job from the computer

- 1 Depending on the operating system, do either of the following:
  - Open the printers folder, and then select your printer.
  - From the System Preferences in the Apple menu, navigate to your printer.
- 2 Select the print job to cancel.

# Understanding the printer menus

## Menus list

**Note:** Some menus are available only in some printer models.

<p><b>Supplies</b></p> <ul style="list-style-type: none"> <li>Cyan Cartridge</li> <li>Magenta Cartridge</li> <li>Yellow Cartridge</li> <li>Black Cartridge</li> <li>Waste Toner Bottle</li> <li>Black or Color Imaging Kit</li> <li>Maintenance Kit</li> </ul>	<p><b>Paper Menu</b></p> <ul style="list-style-type: none"> <li>Default Source</li> <li>Paper Size/Type</li> <li>Configure MP<sup>1</sup></li> <li>Substitute Size</li> <li>Paper Texture</li> <li>Paper Weight</li> <li>Paper Loading</li> <li>Custom Types</li> <li>Custom Names</li> <li>Universal Setup</li> </ul>	<p><b>Reports</b></p> <ul style="list-style-type: none"> <li>Menu Settings Page</li> <li>Device Statistics</li> <li>Network Setup Page</li> <li>Network [x] Setup Page</li> <li>Profiles List</li> <li>Print Fonts</li> <li>Print Directory</li> <li>Print Demo</li> <li>Asset Report</li> </ul>	<p><b>Network/Ports</b></p> <ul style="list-style-type: none"> <li>Active NIC</li> <li>Standard Network or Network [x]</li> <li>Standard USB</li> <li>SMTP Setup</li> </ul>
<p><b>Security</b></p> <ul style="list-style-type: none"> <li>Miscellaneous Security Settings</li> <li>Confidential Print</li> <li>Erase Temporary Data Files</li> <li>Security Audit Log</li> <li>Set Date and Time</li> </ul>	<p><b>Settings</b></p> <ul style="list-style-type: none"> <li>General Settings</li> <li>Flash Drive Menu</li> <li>Print Settings</li> </ul>	<p><b>Help</b></p> <ul style="list-style-type: none"> <li>Print All Guides</li> <li>Color Quality</li> <li>Print Quality</li> <li>Printing Guide</li> <li>Print Defects Guide</li> <li>Information Guide</li> <li>Supplies Guide</li> </ul>	<p><b>Option Card Menu</b></p> <p><b>Note:</b> A list of installed DLEs (Download Emulators) appears.</p>

<sup>1</sup> This menu item appears only when a 650-sheet duo tray is attached.

## Supplies menu

Use	To
<b>Cyan Cartridge</b>	View the status of the toner cartridges, which can be any of the following: Early Warning Low Invalid Near End of Life Replace Missing Defective OK Unsupported
<b>Magenta Cartridge</b>	
<b>Yellow Cartridge</b>	
<b>Black Cartridge</b>	

Use	To
<b>Waste Toner Bottle</b> Near Full Replace Missing OK	View the status of the waste toner bottle.
<b>Imaging Kit</b> OK Replace Black Imaging Kit Replace Color Imaging Kit	View the status of the imaging kit.
<b>Maintenance Kit</b> OK Replace	View the status of the maintenance kit.

## Paper menu

### Default Source menu

Use	To
<b>Default Source</b> Tray [x] Multipurpose Feeder Manual Paper Manual Envelope	Set a default paper source for all print jobs.  <b>Notes:</b> <ul style="list-style-type: none"> <li>• Tray 1 (standard tray) is the factory default setting.</li> <li>• From the Paper menu, set Configure MP to "Cassette" for Multipurpose Feeder to appear as a menu setting.</li> <li>• If two trays contain paper of the same size and type, and the trays have the same settings, then the trays are automatically linked. When one tray is empty, the print job continues using the linked tray.</li> </ul>

### Paper Size/Type menu

Use	To
<b>Tray [x] Size</b> A4 A5 JIS-B5 Letter Legal Executive Oficio (Mexico) Folio Universal	Specify the size of the paper loaded in each tray.  <b>Note:</b> Letter is the U.S. factory default setting. A4 is the international factory default setting.
<b>Note:</b> Only installed trays and feeders are listed in this menu.	

Use	To
<p><b>Tray [x] Type</b></p> <ul style="list-style-type: none"> <li>Plain Paper</li> <li>Card Stock</li> <li>Transparency</li> <li>Recycled</li> <li>Glossy</li> <li>Labels</li> <li>Bond</li> <li>Letterhead</li> <li>Preprinted</li> <li>Colored Paper</li> <li>Light Paper</li> <li>Heavy Paper</li> <li>Rough/Cotton</li> <li>Custom Type [x]</li> </ul>	<p>Specify the type of the paper loaded in each tray.</p> <p><b>Notes:</b></p> <ul style="list-style-type: none"> <li>• Plain Paper is the factory default setting for Tray 1. Custom Type [x] is the factory default setting for all other trays.</li> <li>• If available, a user-defined name will appear instead of Custom Type [x].</li> <li>• Use this menu to configure automatic tray linking.</li> <li>• Only the 250-sheet tray supports transparency.</li> </ul>
<p><b>Multipurpose Feeder Size</b></p> <ul style="list-style-type: none"> <li>A4</li> <li>A5</li> <li>A6</li> <li>JIS B5</li> <li>Letter</li> <li>Legal</li> <li>Executive</li> <li>Oficio (Mexico)</li> <li>Folio</li> <li>Statement</li> <li>Universal</li> <li>7 3/4 Envelope</li> <li>9 Envelope</li> <li>10 Envelope</li> <li>DL Envelope</li> <li>C5 Envelope</li> <li>B5 Envelope</li> <li>Other Envelope</li> </ul>	<p>Specify the size of the paper loaded in the multipurpose feeder.</p> <p><b>Notes:</b></p> <ul style="list-style-type: none"> <li>• Letter is the U.S. factory default setting. A4 is the international factory default setting.</li> <li>• From the Paper menu, set Configure MP to Cassette in order for Multipurpose Feeder Size to appear as a menu.</li> <li>• The multipurpose feeder does not automatically detect the paper size. Make sure the paper size is set.</li> </ul>
<p><b>Note:</b> Only installed trays and feeders are listed in this menu.</p>	



Use	To
<p><b>Multipurpose Feeder Type</b></p> <ul style="list-style-type: none"> <li>Plain Paper</li> <li>Card Stock</li> <li>Transparency</li> <li>Recycled</li> <li>Glossy</li> <li>Labels</li> <li>Bond</li> <li>Envelope</li> <li>Letterhead</li> <li>Preprinted</li> <li>Colored Paper</li> <li>Light Paper</li> <li>Heavy Paper</li> <li>Rough/Cotton</li> <li>Custom Type [x]</li> </ul>	<p>Specify the type of the paper loaded in the multipurpose feeder.</p> <p><b>Notes:</b></p> <ul style="list-style-type: none"> <li>• Custom [x] is the factory default setting.</li> <li>• From the Paper menu, set Configure MP to Cassette in order for Multipurpose Feeder Type to appear as a menu.</li> </ul>
<p><b>Manual Paper Size</b></p> <ul style="list-style-type: none"> <li>A4</li> <li>A5</li> <li>A6</li> <li>JIS B5</li> <li>Letter</li> <li>Legal</li> <li>Executive</li> <li>Oficio (Mexico)</li> <li>Folio</li> <li>Statement</li> <li>Universal</li> </ul>	<p>Specify the size of the paper being manually loaded.</p> <p><b>Note:</b> Letter is the U.S. factory default setting. A4 is the international factory default setting.</p>
<p><b>Manual Paper Type</b></p> <ul style="list-style-type: none"> <li>Plain Paper</li> <li>Card Stock</li> <li>Transparency</li> <li>Recycled</li> <li>Glossy</li> <li>Labels</li> <li>Bond</li> <li>Letterhead</li> <li>Preprinted</li> <li>Colored Paper</li> <li>Light Paper</li> <li>Heavy Paper</li> <li>Rough/Cotton</li> <li>Custom Type [x]</li> </ul>	<p>Specify the type of the paper being manually loaded.</p> <p><b>Notes:</b></p> <ul style="list-style-type: none"> <li>• Plain Paper is the factory default setting.</li> <li>• From the Paper menu, set Configure MP to Manual in order for Manual Paper Type to appear as a menu.</li> </ul>
<p><b>Note:</b> Only installed trays and feeders are listed in this menu.</p>	

Use	To
<b>Manual Envelope Size</b> 7 3/4 Envelope 9 Envelope 10 Envelope DL Envelope C5 Envelope B5 Envelope Other Envelope	Specify the size of the envelope being manually loaded. <b>Note:</b> 10 Envelope is the U.S. factory default setting. DL Envelope is the international factory default setting.
<b>Manual Envelope Type</b> Envelope Custom Type [x]	Specify the type of the envelope being manually loaded. <b>Note:</b> Envelope is the factory default setting.
<b>Note:</b> Only installed trays and feeders are listed in this menu.	

## Configure MP menu

Use	To
<b>Configure MP</b> Cassette Manual First	Determine when the printer selects paper from the multipurpose feeder. <b>Notes:</b> <ul style="list-style-type: none"> <li>• Cassette is the factory default setting. Cassette configures the multipurpose feeder as the automatic paper source.</li> <li>• Manual sets the multipurpose feeder only for manual-feed print jobs.</li> <li>• First configures the multipurpose feeder as the primary paper source.</li> </ul>

## Substitute Size menu

Use	To
<b>Substitute Size</b> Off Statement/A5 Letter/A4 All Listed	Substitute a specified paper size if the requested paper size is not available. <b>Notes:</b> <ul style="list-style-type: none"> <li>• All Listed is the factory default setting. All available substitutions are allowed.</li> <li>• Off indicates that no size substitutions are allowed.</li> <li>• Setting a size substitution lets the print job continue without <b>Change Paper</b> appearing.</li> </ul>

## Paper Texture menu

Use	To
<b>Plain Texture</b> Smooth Normal Rough	Specify the relative texture of the plain paper loaded. <b>Note:</b> Normal is the factory default setting.
<b>Card Stock Texture</b> Smooth Normal Rough	Specify the relative texture of the card stock loaded. <b>Notes:</b> <ul style="list-style-type: none"> <li>• Normal is the factory default setting.</li> <li>• The options appear only if card stock is supported.</li> </ul>
<b>Transparency Texture</b> Smooth Normal Rough	Specify the relative texture of the transparencies loaded. <b>Note:</b> Normal is the factory default setting.
<b>Recycled Texture</b> Smooth Normal Rough	Specify the relative texture of the recycled paper loaded. <b>Note:</b> Normal is the factory default setting.
<b>Glossy Texture</b> Smooth Normal Rough	Specify the relative texture of the glossy paper loaded. <b>Note:</b> Normal is the factory default setting.
<b>Heavy Glossy Texture</b> Smooth Normal Rough	Specify the relative texture of the heavy glossy paper loaded. <b>Note:</b> Normal is the factory default setting.
<b>Labels Texture</b> Smooth Normal Rough	Specify the relative texture of the labels loaded. <b>Note:</b> Normal is the factory default setting.
<b>Bond Texture</b> Smooth Normal Rough	Specify the relative texture of the bond paper loaded. <b>Note:</b> Rough is the factory default setting.
<b>Envelope Texture</b> Smooth Normal Rough	Specify the relative texture of the envelopes loaded. <b>Note:</b> Normal is the factory default setting.
<b>Letterhead Texture</b> Smooth Normal Rough	Specify the relative texture of the letterhead loaded. <b>Note:</b> Normal is the factory default setting.

Use	To
<b>Preprinted Texture</b> Smooth Normal Rough	Specify the relative texture of the preprinted paper loaded. <b>Note:</b> Normal is the factory default setting.
<b>Colored Texture</b> Smooth Normal Rough	Specify the relative texture of the colored paper loaded. <b>Note:</b> Normal is the factory default setting.
<b>Light Texture</b> Smooth Normal Rough	Specify the relative texture of the light paper loaded. <b>Note:</b> Normal is the factory default setting.
<b>Heavy Texture</b> Smooth Normal Rough	Specify the relative texture of the heavy paper loaded. <b>Note:</b> Normal is the factory default setting.
<b>Rough/Cotton Texture</b> Rough	Specify the relative texture of the cotton paper loaded.
<b>Custom [x] Texture</b> Smooth Normal Rough	Specify the relative texture of the custom paper loaded. <b>Notes:</b> <ul style="list-style-type: none"> <li>• Normal is the factory default setting.</li> <li>• The options appear only if custom type is supported.</li> </ul>

## Paper Weight menu

Use	To
<b>Plain Weight</b> Light Normal Heavy	Specify the relative weight of the plain paper loaded. <b>Note:</b> Normal is the factory default setting.
<b>Card Stock Weight</b> Light Normal Heavy	Specify the relative weight of the card stock loaded. <b>Note:</b> Normal is the factory default setting.
<b>Transparency Weight</b> Light Normal Heavy	Specify the relative weight of the transparencies loaded. <b>Note:</b> Normal is the factory default setting.

Use	To
<b>Recycled Weight</b> Light Normal Heavy	Specify the relative weight of the recycled paper loaded. <b>Note:</b> Normal is the factory default setting.
<b>Glossy Weight</b> Light Normal Heavy	Specify the relative weight of the glossy paper loaded. <b>Note:</b> Normal is the factory default setting.
<b>Heavy Glossy Weight</b> Light Normal Heavy	Specify the relative weight of the heavy glossy paper loaded. <b>Note:</b> Normal is the factory default setting.
<b>Labels Weight</b> Light Normal Heavy	Specify the relative weight of the labels loaded. <b>Note:</b> Normal is the factory default setting.
<b>Bond Weight</b> Light Normal Heavy	Specify the relative weight of the bond paper loaded. <b>Note:</b> Normal is the factory default setting.
<b>Envelope Weight</b> Light Normal Heavy	Specify the relative weight of the envelope loaded. <b>Note:</b> Normal is the factory default setting.
<b>Rough Envelope Weight</b> Light Normal Heavy	Specify the relative weight of the rough envelope loaded. <b>Note:</b> Heavy is the factory default setting.
<b>Letterhead Weight</b> Light Normal Heavy	Specify the relative weight of the letterhead loaded. <b>Note:</b> Normal is the factory default setting.
<b>Preprinted Weight</b> Light Normal Heavy	Specify the relative weight of the preprinted paper loaded. <b>Note:</b> Normal is the factory default setting.
<b>Colored Weight</b> Light Normal Heavy	Specify the relative weight of the colored paper loaded. <b>Note:</b> Normal is the factory default setting.
<b>Light Weight</b> Light	Specify that the relative weight of the paper loaded is light.

Use	To
<b>Heavy Weight</b> Heavy	Specify that the relative weight of the paper loaded is heavy.
<b>Rough/Cotton Weight</b> Light Normal Heavy	Specify the relative weight of the rough or cotton paper loaded. <b>Note:</b> Normal is the factory default setting.
<b>Custom [x] Weight</b> Light Normal Heavy	Specify the relative weight of the custom paper loaded. <b>Notes:</b> <ul style="list-style-type: none"> <li>• Normal is the factory default setting.</li> <li>• The options appear only when the custom type is supported.</li> </ul>

## Paper Loading menu

Use	To
<b>Cardstock Loading</b> Off	Determine and set two-sided printing for all print jobs that specify Cardstock as the paper type.
<b>Recycled Loading</b> Duplex Off	Determine and set two-sided printing for all print jobs that specify Recycled as the paper type.
<b>Glossy Loading</b> Duplex Off	Determine and set two-sided printing for all print jobs that specify Glossy as the paper type.
<b>Heavy Glossy Loading</b> Off	Determine and set two-sided printing for all print jobs that specify Heavy Glossy as the paper type.
<b>Labels Loading</b> Off	Determine and set two-sided printing for all print jobs that specify Labels as the paper type.
<b>Bond Loading</b> Duplex Off	Determine and set two-sided printing for all print jobs that specify Bond as the paper type.
<b>Letterhead Loading</b> Duplex Off	Determine and set two-sided printing for all print jobs that specify Letterhead as the paper type.
<b>Preprinted Loading</b> Duplex Off	Determine and set two-sided printing for all print jobs that specify Preprinted as the paper type.
<b>Notes:</b> <ul style="list-style-type: none"> <li>• Duplex sets the printer default to two-sided printing for every print job unless one-sided printing is selected from Printing Preferences or the Print dialog.</li> <li>• Off is the factory default setting for all the menus.</li> </ul>	

Use	To
<b>Colored Loading</b> Duplex Off	Determine and set two-sided printing for all print jobs that specify Colored as the paper type.
<b>Light Loading</b> Duplex Off	Determine and set two-sided printing for all print jobs that specify Light as the paper type.
<b>Heavy Loading</b> Duplex Off	Determine and set two-sided printing for all print jobs that specify Heavy as the paper type.
<b>Rough/Cotton Loading</b> Off	Determine and set two-sided printing for all print jobs that specify Rough/Cotton as the paper type.
<b>Custom [x] Loading</b> Duplex Off	Determine and set two-sided printing for all print jobs that specify Custom [x] as the paper type.  <b>Note:</b> Custom [x] Loading is available only when the custom type is supported.
<b>Notes:</b> <ul style="list-style-type: none"> <li>• Duplex sets the printer default to two-sided printing for every print job unless one-sided printing is selected from Printing Preferences or the Print dialog.</li> <li>• Off is the factory default setting for all the menus.</li> </ul>	

## Custom Types menu

Use	To
<b>Custom Type [x]</b> Paper Card Stock Transparency Glossy Rough/Cotton Labels Envelope	Associate a paper or specialty media type with a factory default Custom Type [x] name or a user-defined custom name created in the Embedded Web Server or MarkVision™ Professional.  <b>Notes:</b> <ul style="list-style-type: none"> <li>• Paper is the factory default setting for Custom Type [x].</li> <li>• The custom media type must be supported in the selected tray or feeder in order to print from that source.</li> </ul>
<b>Recycled</b> Paper Card Stock Transparency Glossy Rough/Cotton Labels Envelope	Specify a paper type when Recycled is selected.  <b>Notes:</b> <ul style="list-style-type: none"> <li>• Paper is the factory default setting.</li> <li>• The Recycled paper type must be supported in the selected tray or feeder in order to print from that source.</li> </ul>

## Custom Names menu

Use	To
<b>Custom Name [x]</b>	Specify a custom name for a paper type. This name replaces Custom Type [x] in the printer menus.

## Universal Setup menu

Use	To
<b>Units of Measure</b> Inches Millimeters	Identify the units of measure.  <b>Notes:</b> <ul style="list-style-type: none"> <li>• Inches is the US factory default setting.</li> <li>• Millimeters is the international factory default setting.</li> </ul>
<b>Portrait Width</b> 3–8.5 inches 76–216 mm	Set the width for portrait orientation.  <b>Notes:</b> <ul style="list-style-type: none"> <li>• If the width exceeds the maximum, then the printer uses the maximum width allowed.</li> <li>• 8.5 inches is the US factory default setting. You can increase the width in 0.01-inch increments.</li> <li>• 216 mm is the international factory default setting. You can increase the width in 1-mm increments.</li> </ul>
<b>Portrait Height</b> 3–14.17 inches 76–360 mm	Set the width for portrait orientation.  <b>Notes:</b> <ul style="list-style-type: none"> <li>• If the height exceeds the maximum, then the printer uses the maximum height allowed.</li> <li>• 14 inches is the US factory default setting. You can increase the height in 0.01-inch increments.</li> <li>• 356 mm is the international factory default setting. You can increase the height in 1-mm increments.</li> </ul>

## Reports menu

Use	To
<b>Menu Settings Page</b>	Print a report on the current printer menu settings. The report also contains information about the status of the supplies and a list of hardware options that are successfully installed.
<b>Device Statistics</b>	Print a report containing printer statistics, such as supply information and number of printed pages.
<b>Network Setup Page</b>	Print a report containing information about the network settings of the printer.  <b>Note:</b> This menu item appears only in network printers or printers connected to print servers.



Use	To
<b>Network [x] Setup Page</b>	Print a report containing information about the network settings of the printer. <b>Note:</b> This menu item appears only in network printers or printers connected to print servers, and when there is more than one network option installed.
<b>Profiles List</b>	Print a list of profiles stored in the printer.
<b>Print Fonts</b> PCL Fonts PostScript Fonts	Print a report of all the fonts available for the printer language currently set in the printer. <b>Note:</b> A separate list is available for PCL and PostScript emulations. Each emulation report contains print samples and information about the available fonts for each language.
<b>Print Directory</b>	Print a list of all the resources stored in an optional flash memory card or printer hard disk. <b>Notes:</b> <ul style="list-style-type: none"> <li>• Job Buffer Size must be set to 100%.</li> <li>• Make sure that the memory card or hard disk is installed and working properly.</li> </ul>
<b>Print Demo</b> Demo Page [list of available demo pages]	Print demo files that are available in the firmware, the flash option, and the disk option.
<b>Asset Report</b>	Print a report containing asset information, including the printer serial number and model name. The report contains text and UPC bar codes that can be scanned into an asset database.
<b>Event Log Summary</b>	Print a summary of logged events.

## Network/Ports menu

### Active NIC menu

Use	To
<b>Active NIC</b> Auto [list of available network cards]	Allow the printer to connect to a network. <b>Notes:</b> <ul style="list-style-type: none"> <li>• Auto is the factory default setting.</li> <li>• This menu item appears only if an optional network adapter is installed.</li> </ul>

### Standard Network or Network [x] menu

**Note:** Only active ports appear in this menu.

Use	To
<b>Energy Efficient Ethernet</b> Enable Disable	Reduce power consumption when the printer receives no data from the Ethernet network. <b>Note:</b> Enable is the factory default setting.
<b>PCL SmartSwitch</b> On Off	Set the printer to automatically switch to PCL emulation when a print job requires it, regardless of the default printer language. <b>Notes:</b> <ul style="list-style-type: none"> <li>• On is the factory default setting.</li> <li>• If PCL SmartSwitch is disabled, then the printer does not examine incoming data and it uses the default printer language specified in the Setup menu.</li> </ul>
<b>PS SmartSwitch</b> On Off	Set the printer to automatically switch to PS emulation when a print job requires it, regardless of the default printer language. <b>Notes:</b> <ul style="list-style-type: none"> <li>• On is the factory default setting.</li> <li>• If PS SmartSwitch is disabled, then the printer does not examine incoming data and it uses the default printer language specified in the Setup menu.</li> </ul>
<b>NPA Mode</b> Off Auto	Set the printer to perform the special processing required for bidirectional communication following the conventions defined by the NPA protocol. <b>Notes:</b> <ul style="list-style-type: none"> <li>• Auto is the factory default setting.</li> <li>• The printer automatically restarts when the setting is changed from the control panel.</li> </ul>
<b>Network Buffer</b> Auto 3KB to [maximum size allowed]	Set the size of the network input buffer. <b>Notes:</b> <ul style="list-style-type: none"> <li>• Auto is the factory default setting.</li> <li>• The maximum size allowed depends on the amount of memory in the printer, the size of the other link buffers, and whether Resource Save is set to On or Off.</li> <li>• To increase the maximum size range for the Network Buffer, disable or reduce the size of the parallel, serial, and USB buffers.</li> <li>• The printer automatically restarts when the setting is changed from the control panel.</li> </ul>
<b>Job Buffering</b> Off On Auto	Temporarily store print jobs in the printer hard disk before printing. This menu only appears when a formatted disk is installed. <b>Notes:</b> <ul style="list-style-type: none"> <li>• Off is the factory default setting.</li> <li>• The printer automatically restarts when the setting is changed from the control panel. The menu selection is then updated.</li> </ul>

Use	To
<b>Mac Binary PS</b> On Off Auto	Set the printer to process Macintosh binary PostScript print jobs. <b>Note:</b> Auto is the factory default setting.
<b>Standard Network Setup OR Network [x] Setup</b> Reports Network Card TCP/IP IPv6 Wireless AppleTalk	Show and set the printer network settings. <b>Note:</b> The Wireless menu appears only when the printer is connected to a wireless network.

## Reports menu

To access the menu, navigate to either of the following:

- **Network/Ports > Standard Network > Standard Network Setup > Reports**
- **Network/Ports > Network [x] > Network [x] Setup > Reports**

Use	To
<b>Print Setup Page</b>	Print a report containing information about the network printer settings, such as the TCP/IP address.

## Network Card menu

To access the menu, navigate to either of the following:

- **Network/Ports > Standard Network > Standard Network Setup > Network Card**
- **Network/Ports > Network [x] > Network [x] Setup > Network Card**

Use	To
<b>View Card Status</b> Connected Disconnected	View the connection status of the wireless network adapter.
<b>View Card Speed</b>	View the speed of an active wireless network adapter.
<b>Energy Efficient Ethernet</b> Enable Disable	Reduce power consumption when the printer receives no data from the Ethernet network. <b>Note:</b> Enable is the factory default setting.
<b>Network Address</b> UAA LAA	View the network addresses.

Use	To
<b>Job Timeout</b> 0, 10–225 seconds	Set the amount of time it takes for a network print job to be canceled. <b>Notes:</b> <ul style="list-style-type: none"> <li>• 90 seconds is the factory default setting.</li> <li>• A setting value of 0 disables the timeout.</li> <li>• A value between 1 and 9 is invalid.</li> </ul>
<b>Banner Page</b> Off On	Allow the printer to print a banner page. <b>Note:</b> Off is the factory default setting.

## TCP/IP menu

To access the menu, navigate to either of the following:

- **Network/Ports > Standard Network > Standard Network Setup > TCP/IP**
- **Network/Ports > Network [x] > Network [x] Setup > TCP/IP**

**Note:** This menu is available only in network printers or printers connected to print servers.

Use	To
<b>Set Hostname</b>	Set the current TCP/IP host name. <b>Note:</b> This menu is available only in select printer models.
<b>IP Address</b>	View or change the current TCP/IP address. <b>Note:</b> Manually setting the IP address sets the Enable DHCP and Enable Auto IP settings to Off. It also sets Enable BOOTP and Enable RARP to Off on systems that support BOOTP and RARP.
<b>Netmask</b>	View or change the current TCP/IP netmask.
<b>Gateway</b>	View or change the current TCP/IP gateway.
<b>Enable DHCP</b> On Off	Specify the DHCP address and parameter assignment. <b>Note:</b> On is the factory default setting.
<b>Enable RARP</b> On Off	Specify the RARP address assignment setting. <b>Note:</b> Off is the factory default setting.
<b>Enable BOOTP</b> On Off	Specify the BOOTP address assignment setting. <b>Note:</b> On is the factory default setting.
<b>Enable AutoIP</b> Yes No	Specify the Zero Configuration Networking setting. <b>Note:</b> Yes is the factory default setting.
<b>Enable FTP/TFTP</b> Yes No	Enable the built-in FTP server, which lets you send files to the printer using File Transfer Protocol. <b>Note:</b> Yes is the factory default setting.

Use	To
<b>Enable HTTP Server</b> Yes No	Enable the built-in Web server (Embedded Web Server). When enabled, the printer can be monitored and managed remotely using a Web browser. <b>Note:</b> Yes is the factory default setting.
<b>WINS Server Address</b>	View or change the current WINS server address.
<b>Enable DDNS</b> Yes No	View or change the current DDNS setting. <b>Note:</b> Yes is the factory default setting.
<b>Enable mDNS</b> Yes No	View or change the current mDNS setting. <b>Note:</b> Yes is the factory default setting.
<b>DNS Server Address</b>	View or change the current DNS server address.
<b>Backup DNS Server Address [x]</b>	View or change the current DNS server address.
<b>Enable HTTPS</b> Yes No	View or change the current HTTPS setting. <b>Note:</b> Yes is the factory default setting.

## IPv6 menu

To access the menu, navigate to either of the following:

- **Network/Ports > Standard Network > Standard Network Setup > IPv6**
- **Network/Ports > Network [x] > Network [x] Setup > IPv6**

**Note:** This menu is available only in network printers or printers that are attached to print servers.

Use	To
<b>Enable IPv6</b> On Off	Enable IPv6 in the printer. <b>Note:</b> On is the factory default setting.
<b>Auto Configuration</b> On Off	Specify whether or not the wireless network adapter accepts the automatic IPv6 address configuration entries provided by a router. <b>Note:</b> On is the factory default setting.
<b>View Hostname</b>	Set the host name.
<b>View Address</b>	<b>Note:</b> These settings can be changed only from the Embedded Web Server.
<b>View Router Address</b>	
<b>Enable DHCPv6</b> On Off	Enable DHCPv6 in the printer. <b>Note:</b> On is the factory default setting.

## Wireless menu

**Note:** This menu is available only in printers connected to a wireless network or printer models that have a wireless network adapter.

To access the menu, navigate to:

**Network/Ports > Network [x] > Network [x] Setup > Wireless**

Use	To
<b>Wi-Fi Protected Setup</b> Start Push Button Method Start PIN Method	Establish a wireless network and enable network security. <b>Notes:</b> <ul style="list-style-type: none"> <li>Start Push Button Method connects the printer to a wireless network when buttons on both the printer and the access point (wireless router) are pressed within a given period of time.</li> <li>Start PIN Method connects the printer to a wireless network when a PIN on the printer is entered into the wireless settings of the access point.</li> </ul>
<b>Enable/Disable WPS Auto-detection</b> Enable Disable	Automatically detect the connection method that an access point with WPS uses—Start Push Button Method or Start PIN Method. <b>Note:</b> Disable is the factory default setting.
<b>Network Mode</b> BSS Type Infrastructure Ad hoc	Specify the network mode. <b>Notes:</b> <ul style="list-style-type: none"> <li>Infrastructure is the factory default setting. This lets the printer access a network using an access point.</li> <li>Ad hoc configures wireless connection directly between the printer and a computer.</li> </ul>
<b>Compatibility</b> 802.11b/g 802.11b/g/n	Specify the wireless standard for the wireless network. <b>Note:</b> 802.11b/g/n is the factory default setting.
<b>Choose Network</b>	Select an available network for the printer to use.
<b>View Signal Quality</b>	View the quality of the wireless connection.
<b>View Security Mode</b>	View the encryption method for the wireless network.

## AppleTalk menu

**Note:** This menu is available only in printer models connected to a wired network or when an optional network card is installed.

To access the menu, navigate to any of the following:

- **Network/Ports > Standard Network > Standard Network Setup > AppleTalk**
- **Network/Ports > Network Setup [x] > AppleTalk**

Use	To
<b>Activate</b> Yes No	Enable or disable AppleTalk support. <b>Note:</b> Yes is the factory default setting.
<b>View Name</b>	Show the assigned AppleTalk name. <b>Note:</b> The name can be changed only from the Embedded Web Server.
<b>View Address</b>	Show the assigned AppleTalk address. <b>Note:</b> The address can be changed only from the Embedded Web Server.
<b>Set Zone</b> [list of zones available on the network]	Provide a list of AppleTalk zones available on the network. <b>Note:</b> The factory default setting is the default zone for the network. If no default zone exists, then the zone marked with an asterisk (*) is the default setting.

## Standard USB menu

Use	To
<b>PCL SmartSwitch</b> On Off	Set the printer to automatically switch to PCL emulation when a print job received through a USB port requires it, regardless of the default printer language. <b>Notes:</b> <ul style="list-style-type: none"> <li>• On is the factory default setting.</li> <li>• When set to Off, the printer does not examine incoming data. The printer uses PostScript emulation if the PS SmartSwitch is set to On. It uses the default printer language specified in the Setup menu if the PS SmartSwitch is set to Off.</li> </ul>
<b>PS SmartSwitch</b> On Off	Set the printer to automatically switch to PS emulation when a print job received through a USB port requires it, regardless of the default printer language. <b>Notes:</b> <ul style="list-style-type: none"> <li>• On is the factory default setting.</li> <li>• When set to Off, the printer does not examine incoming data. The printer uses PCL emulation if the PCL SmartSwitch is set to On. It uses the default printer language specified in the Setup menu if the PCL SmartSwitch is set to Off.</li> </ul>
<b>NPA Mode</b> On Off Auto	Set the printer to perform the special processing required for bidirectional communication following the conventions defined by the NPA protocol. <b>Notes:</b> <ul style="list-style-type: none"> <li>• Auto is the factory default setting. Auto sets the printer to examine data, determine the format, and then process it appropriately.</li> <li>• The printer automatically restarts when changing the setting from the printer control panel. The menu selection is then updated.</li> </ul>

Use	To
<p><b>USB Buffer</b></p> <p>Disabled Auto 3K to [maximum size allowed]</p>	<p>Set the size of the USB input buffer.</p> <p><b>Notes:</b></p> <ul style="list-style-type: none"> <li>• Auto is the factory default setting.</li> <li>• Disabled turns off job buffering. Any jobs already buffered on the printer hard disk are printed before normal processing resumes.</li> <li>• The USB buffer size value can be changed in 1-K increments.</li> <li>• The maximum size allowed depends on the amount of memory in the printer, the size of the other link buffers, and whether Resource Save is set to On or Off.</li> <li>• To increase the maximum size range for the USB Buffer, disable or reduce the size of the parallel, serial, and network buffers.</li> <li>• The printer automatically restarts when the setting is changed from the printer control panel. The menu selection is then updated.</li> </ul>
<p><b>Job Buffering</b></p> <p>Off On Auto</p>	<p>Temporarily store print jobs in the printer hard disk before printing.</p> <p><b>Notes:</b></p> <ul style="list-style-type: none"> <li>• Off is the factory default setting.</li> <li>• On buffers jobs on the printer hard disk.</li> <li>• Auto buffers print jobs only if the printer is busy processing data from another input port.</li> <li>• Changing this setting from the printer control panel and then exiting the menus causes the printer to restart. The menu selection is then updated.</li> </ul>
<p><b>Mac Binary PS</b></p> <p>On Off Auto</p>	<p>Set the printer to process Macintosh binary PostScript print jobs.</p> <p><b>Notes:</b></p> <ul style="list-style-type: none"> <li>• Auto is the factory default setting.</li> <li>• On processes raw binary PostScript print jobs.</li> <li>• Off filters print jobs using the standard protocol.</li> </ul>
<p><b>ENA Address</b></p> <p>yyy.yyy.yyy.yyy</p>	<p>Set the network address information for an external print server.</p> <p><b>Note:</b> This menu is available only when the printer is attached to an external print server through the USB port.</p>
<p><b>ENA Netmask</b></p> <p>yyy.yyy.yyy.yyy</p>	<p>Set the netmask information for an external print server.</p> <p><b>Note:</b> This menu is available only when the printer is attached to an external print server through the USB port.</p>
<p><b>ENA Gateway</b></p> <p>yyy.yyy.yyy.yyy</p>	<p>Set the gateway information for an external print server.</p> <p><b>Note:</b> This menu is available only when the printer is attached to an external print server through the USB port.</p>



## SMTP Setup menu

Use	To
<b>Primary SMTP Gateway</b>	Specify SMTP server gateway and port information. <b>Note:</b> 25 is the default SMTP gateway port.
<b>Primary SMTP Gateway Port</b>	
<b>Secondary SMTP Gateway</b>	
<b>Secondary SMTP Gateway Port</b>	
<b>SMTP Timeout</b> 5–30	Specify the amount of time in seconds before the server stops trying to send an e-mail. <b>Note:</b> 30 is the factory default setting.
<b>Reply Address</b>	Specify a reply address of up to 128 characters in the e-mail sent by the printer.
<b>Use SSL</b> Disabled Negotiate Required	Set the printer to use SSL for increased security when connecting to the SMTP server. <b>Notes:</b> <ul style="list-style-type: none"> <li>• Disabled is the factory default setting.</li> <li>• When the Negotiate setting is used, the SMTP server determines if SSL will be used.</li> </ul>
<b>SMTP Server Authentication</b> No authentication required Login/Plain CRAM-MD5 Digest-MD5 NTLM Kerberos 5	Specify the type of user authentication required for scan to e-mail privileges. <b>Note:</b> “No authentication required” is the factory default setting.
<b>Device-Initiated E-mail</b> None Use Device SMTP Credentials	Specify what credentials will be used when communicating to the SMTP server. <b>Notes:</b> <ul style="list-style-type: none"> <li>• None is the factory default setting for Device-Initiated E-mail and User-Initiated E-mail.</li> <li>• “Device Userid” and “Device password” are used to log in to the SMTP server when Use Device SMTP Credentials is selected.</li> </ul>
<b>User-Initiated E-mail</b> None Use Device SMTP Credentials Use Session User ID and Password Use Session E-mail address and Password Prompt user	
<b>Device Userid</b>	
<b>Device password</b>	
<b>Kerberos 5 Realm</b>	
<b>NTLM Domain</b>	

## Security menu

### Miscellaneous Security Settings menu

Use	To
<b>Login Restrictions</b> Login failures Failure time frame Lockout time Panel Login Timeout Remote Login Timeout	Limit the number and time frames of failed login attempts from the printer control panel before <i>all</i> users are locked out.  <b>Notes:</b> <ul style="list-style-type: none"> <li>• “Login failures” specifies the number of failed login attempts before users are locked out. You can choose from 1 to 10 attempts. The factory default setting is 3.</li> <li>• “Failure time frame” specifies the time frame during which failed login attempts can be made before users are locked out. You can choose from 1 to 60 minutes. The factory default setting is 5 minutes.</li> <li>• “Lockout time” specifies how long users are locked out after exceeding the login failures limit. You can choose from 1 to 60 minutes. The factory default setting is 5 minutes. The printer does not impose a lockout time if you set to 1 minute.</li> <li>• Panel Login Timeout specifies how long the printer remains idle on the home screen before automatically logging the user off. You can choose from 1 to 900 seconds. The factory default setting is 30 seconds.</li> <li>• Remote Login Timeout specifies how long a remote interface remains idle before automatically logging the user off. You can choose from 1 to 120 minutes. The factory default setting is 10 minutes.</li> </ul>
<b>Minimum PIN Length</b> 1–16	Limit the digit length of the PIN.  <b>Note:</b> 4 is the factory default setting.

### Confidential Print menu

Use	To
<b>Max Invalid PIN</b> Off 2–10	Limit the number of times an invalid PIN can be entered.  <b>Notes:</b> <ul style="list-style-type: none"> <li>• This menu appears only when a formatted, non-defective printer hard disk is installed.</li> <li>• Once the limit is reached, the print jobs for that user name and PIN are deleted.</li> </ul>
<b>Confidential Job Expiration</b> Off 1 hour 4 hours 24 hours 1 week	Limit the amount of time a confidential print job stays in the printer before it is deleted.  <b>Notes:</b> <ul style="list-style-type: none"> <li>• If the “Confidential Job Expiration” setting is changed while confidential print jobs reside in the printer RAM or printer hard disk, then the expiration time for those print jobs does not change to the new default value.</li> <li>• If the printer is turned off, then all confidential jobs held in the printer RAM are deleted.</li> </ul>
<b>Note:</b> Off is the factory default setting.	

Use	To
<b>Repeat Job Expiration</b> Off 1 hour 4 hours 24 hours 1 week	Set a time limit on how long the printer stores print jobs.
<b>Verify Job Expiration</b> Off 1 hour 4 hours 24 hours 1 week	Set a time limit on how long the printer stores print jobs needing verification.
<b>Reserve Job Expiration</b> Off 1 hour 4 hours 24 hours 1 week	Set a time limit on how long the printer stores print jobs for printing at a later time.
<b>Note:</b> Off is the factory default setting.	

## Erase Temporary Data Files menu

Erase Temporary Data Files deletes *only* print job data on the printer hard disk that *are not* currently in use by the file system. All permanent data on the printer hard disk are preserved, such as downloaded fonts, macros, and held jobs.

**Note:** This menu appears only when a formatted, working printer hard disk is installed.

Use	To
<b>Wiping Mode</b> Auto	Specify the mode for erasing temporary data files.
<b>Automatic Method</b> Single pass Multiple pass	Mark all disk space used by a previous print job. This method does not permit the file system to reuse this space until it has been cleared.  <b>Notes:</b> <ul style="list-style-type: none"> <li>• “Single pass” is the factory default setting.</li> <li>• Only automatic wiping enables users to erase temporary data files without having to turn off the printer for an extended amount of time.</li> <li>• Highly confidential information should be erased using <i>only</i> the Multiple pass method.</li> </ul>

## Security Audit Log menu

Use	To
<b>Export Log</b>	Let an authorized user export the audit log. <b>Notes:</b> <ul style="list-style-type: none"> <li>To export the audit log from the printer control panel, attach a flash drive to the printer.</li> <li>The audit log can be downloaded from the Embedded Web Server and saved on a computer.</li> </ul>
<b>Delete Log</b> Yes No	Specify whether or not audit logs are deleted. <b>Note:</b> Yes is the factory default setting.
<b>Configure Log</b> Enable Audit Yes No Enable Remote Syslog No Yes Remote Syslog Facility 0–23 Severity of Events to Log 0–7	Specify how and whether or not audit logs are created. <b>Notes:</b> <ul style="list-style-type: none"> <li>Enable Audit determines if events are recorded in the secure audit log and remote syslog. No is the factory default setting.</li> <li>Enable Remote Syslog determines if logs are sent to a remote server. No is the factory default setting.</li> <li>Remote Syslog Facility determines the value used to send logs to the remote syslog server. 4 is the factory default setting.</li> <li>If the security audit log is activated, then the severity value of each event is recorded. 4 is the factory default setting.</li> </ul>

## Set Date and Time menu

Use	To
<b>Current Date and Time</b>	View the current date and time settings for the printer.
<b>Manually Set Date and Time</b>	Enter the date and time. <b>Notes:</b> <ul style="list-style-type: none"> <li>Date/Time is set in YYYY-MM-DD HH:MM:SS format.</li> <li>Manually setting the date and time sets “Enable NTP” (Network Time Protocol) to On.</li> </ul>
<b>Time Zone</b>	Select the time zone. <b>Note:</b> GMT is the factory default setting.
<b>Automatically Observe DST</b> On Off	Set the printer to use the applicable daylight saving time (DST) start and end times associated with the printer Time Zone setting. <b>Note:</b> On is the factory default setting and uses the applicable Daylight Saving Time associated with the Time Zone setting.
<b>Enable NTP</b> On Off	Enable Network Time Protocol, which synchronizes the clocks of devices on a network. <b>Note:</b> On is the factory default setting.

## Settings menu

### Setup menu

Use	To
<b>Printer Language</b> PCL Emulation PS Emulation	Set the default printer language.  <b>Notes:</b> <ul style="list-style-type: none"> <li>• PS Emulation is the factory default setting. PS Emulation uses a PS interpreter for processing print jobs.</li> <li>• PCL Emulation uses a PCL interpreter for processing print jobs.</li> <li>• Setting a printer language as the default does not prevent a software program from sending print jobs that use another printer language.</li> </ul>
<b>Job Waiting</b> On Off	Determine if print jobs are removed from the print queue when they require unavailable printer options or custom settings. These print jobs are stored in a separate print queue, so other jobs print normally. When the missing information or options are obtained, the stored jobs print.  <b>Notes:</b> <ul style="list-style-type: none"> <li>• Off is the factory default setting.</li> <li>• This menu item appears only if a non-read-only printer hard disk is installed. This requirement ensures that stored jobs are not deleted if the printer loses power.</li> </ul>
<b>Print Area</b> Normal Fit To Page Whole Page	Set the logical and physical printable area.  <b>Notes:</b> <ul style="list-style-type: none"> <li>• Normal is the factory default setting. When attempting to print data in the non-printable area defined by the Normal setting, the printer clips the image.</li> <li>• Fit to Page fits the page content into the selected paper size.</li> <li>• Whole Page allows the image to be moved into the non-printable area defined by the Normal setting, but the printer clips the image at the Normal setting boundary. This setting affects only pages printed using a PCL 5e interpreter and has no effect on pages printed using the PCL XL or PostScript interpreter.</li> </ul>
<b>Printer Usage</b> Max Yield Max Speed	Set color toner use in printing.  <b>Note:</b> Max Yield is the factory default setting.

Use	To
<p><b>Black Only Mode</b></p> <p>On</p> <p>Off</p>	<p>Set the printer to print text and graphics using only the black toner cartridge.</p> <p><b>Notes:</b></p> <ul style="list-style-type: none"> <li>• Off is the factory default setting.</li> <li>• The setting value does not affect the ability of the printer to generate color output from flash drive print jobs.</li> </ul>
<p><b>Download Target</b></p> <p>RAM</p> <p>Flash</p> <p>Disk</p>	<p>Set the storage location for downloads.</p> <p><b>Notes:</b></p> <ul style="list-style-type: none"> <li>• RAM is the factory default setting. Storing downloads in the RAM is temporary.</li> <li>• Storing downloads in a flash memory or on a printer hard disk places them in permanent storage. Downloads remain in the flash memory or printer hard disk even when the printer is turned off.</li> <li>• This menu item appears only if an optional flash memory or printer hard disk is installed.</li> </ul>
<p><b>Resource Save</b></p> <p>On</p> <p>Off</p>	<p>Specify how the printer handles temporary downloads, such as fonts and macros stored in the RAM, when the printer receives a job that requires more memory than is available.</p> <p><b>Notes:</b></p> <ul style="list-style-type: none"> <li>• Off is the factory default setting. Off sets the printer to retain the downloads only until memory is needed. Downloads are deleted in order to process print jobs.</li> <li>• On sets the printer to retain downloads during language changes and printer resets. If the printer runs out of memory, <b>38 Memory full</b> appears, but downloads are not deleted.</li> </ul>
<p><b>Print All Order</b></p> <p>Alphabetical</p> <p>Oldest First</p> <p>Newest First</p>	<p>Specify the order in which held and confidential jobs are printed .</p> <p><b>Note:</b> Alphabetical is the factory default setting.</p>

## General Settings menu

Use	To
<p><b>Display Language</b></p> <ul style="list-style-type: none"> <li>English</li> <li>Francais</li> <li>Deutsch</li> <li>Italiano</li> <li>Espanol</li> <li>Dansk</li> <li>Norsk</li> <li>Nederlands</li> <li>Svenska</li> <li>Portuguese</li> <li>Suomi</li> <li>Russian</li> <li>Polski</li> <li>Greek</li> <li>Magyar</li> <li>Turkce</li> <li>Cesky</li> <li>Simplified Chinese</li> <li>Traditional Chinese</li> <li>Korean</li> <li>Japanese</li> </ul>	<p>Set the language of the text that appears on the display.</p> <p><b>Note:</b> Not all languages are available for all models. You may need to install special hardware for some languages.</p>
<p><b>Show Supply Estimates</b></p> <ul style="list-style-type: none"> <li>Show estimates</li> <li>Do not show estimates</li> </ul>	<p>View the supply estimates on the control panel, Embedded Web Server, menu settings, and device statistics reports.</p> <p><b>Note:</b> Show estimates is the factory default setting.</p>
<p><b>Eco-Mode</b></p> <ul style="list-style-type: none"> <li>Off</li> <li>Energy</li> <li>Energy/Paper</li> <li>Paper</li> </ul>	<p>Minimize the use of energy, paper, or specialty media.</p> <p><b>Notes:</b></p> <ul style="list-style-type: none"> <li>• Off is the factory default setting. This setting resets the printer to its factory default settings.</li> <li>• Setting Eco-Mode to Energy or Paper may affect printer performance, but not print quality.</li> </ul>
<p><b>Quiet Mode</b></p> <ul style="list-style-type: none"> <li>Off</li> <li>On</li> </ul>	<p>Reduce printer noise.</p> <p><b>Note:</b> Off is the factory default setting.</p>
<p><b>Run Initial Setup</b></p> <ul style="list-style-type: none"> <li>Yes</li> <li>No</li> </ul>	<p>Run the setup wizard.</p>

Use	To
<p><b>Keyboard</b></p> <ul style="list-style-type: none"> <li>Keyboard Type <ul style="list-style-type: none"> <li>English</li> <li>Francais</li> <li>Francais Canadien</li> <li>Deutsch</li> <li>Italiano</li> <li>Espanol</li> <li>Greek</li> <li>Dansk</li> <li>Norsk</li> <li>Nederlands</li> <li>Svenska</li> <li>Suomi</li> <li>Portuguese</li> <li>Russian</li> <li>Polski</li> <li>Swiss German</li> <li>Swiss French</li> <li>Korean</li> <li>Magyar</li> <li>Turkce</li> <li>Cesky</li> <li>Simplified Chinese</li> <li>Traditional Chinese</li> <li>Japanese</li> </ul> </li> <li>Custom Key [x]</li> </ul>	<p>Specify a language and custom key information for the keyboard on the display.</p>
<p><b>Paper Sizes</b></p> <ul style="list-style-type: none"> <li>US</li> <li>Metric</li> </ul>	<p>Specify the unit of measurement for paper sizes.</p> <p><b>Notes:</b></p> <ul style="list-style-type: none"> <li>• US is the factory default setting.</li> <li>• The country or region selected in the initial setup wizard determines the initial paper size setting.</li> </ul>



Use	To
<p><b>Displayed Information</b></p> <p>Left Side</p> <p>Right Side</p>	<p>Specify the display information on the upper corners of the home screen.</p> <p>Select from the following options:</p> <ul style="list-style-type: none"> <li>None</li> <li>IP Address</li> <li>Hostname</li> <li>Contact Name</li> <li>Location</li> <li>Date/Time</li> <li>mDNS/DDNS Service Name</li> <li>Zero Configuration Name</li> <li>Custom Text [x]</li> <li>Model Name</li> </ul> <p><b>Notes:</b></p> <ul style="list-style-type: none"> <li>• IP Address is the factory default setting for Left Side.</li> <li>• Date/Time is the factory default setting for Right Side.</li> </ul>
<p><b>Displayed Information (continued)</b></p> <p>Custom Text [x]</p>	<p>Customize the text to display in the upper corners of the home screen.</p> <p><b>Note:</b> You can type up to 32 characters.</p>
<p><b>Displayed Information (continued)</b></p> <p>Black Toner</p> <p>Cyan Toner</p> <p>Magenta Toner</p> <p>Yellow Toner</p> <p>Waste Toner Bottle</p> <p>Fuser</p> <p>Transfer Module</p>	<p>Specify the display information for the supplies.</p> <p>Select from the following options:</p> <ul style="list-style-type: none"> <li>When to display                             <ul style="list-style-type: none"> <li>Do not display</li> <li>Display</li> </ul> </li> <li>Message to display                             <ul style="list-style-type: none"> <li>Default</li> <li>Alternate</li> </ul> </li> <li>Default                             <ul style="list-style-type: none"> <li>[text entry]</li> </ul> </li> <li>Alternate                             <ul style="list-style-type: none"> <li>[text entry]</li> </ul> </li> </ul> <p><b>Notes:</b></p> <ul style="list-style-type: none"> <li>• Do not display is the factory default setting for When to display.</li> <li>• Default is the factory default setting for Message to display.</li> </ul>

Use	To
<p><b>Displayed Information (continued)</b></p> <ul style="list-style-type: none"> <li>Paper Jam</li> <li>Load Paper</li> <li>Service Errors</li> </ul>	<p>Customize the displayed information for certain menus.                      Select from the following options:</p> <ul style="list-style-type: none"> <li>Display                             <ul style="list-style-type: none"> <li>Yes</li> <li>No</li> </ul> </li> <li>Message to display                             <ul style="list-style-type: none"> <li>Default</li> <li>Alternate</li> </ul> </li> <li>Default                             <ul style="list-style-type: none"> <li>[text entry]</li> </ul> </li> <li>Alternate                             <ul style="list-style-type: none"> <li>[text entry]</li> </ul> </li> </ul> <p><b>Notes:</b></p> <ul style="list-style-type: none"> <li>• No is the factory default setting for Display.</li> <li>• Default is the factory default setting for Message to display.</li> </ul>
<p><b>Home screen customization</b></p> <ul style="list-style-type: none"> <li>Change Language</li> <li>Search Held Jobs</li> <li>Held Jobs</li> <li>USB Drive</li> <li>Profiles and Apps</li> <li>Bookmarks</li> <li>Jobs by User</li> <li>Forms and Favorites</li> <li>Background and Idle Screen</li> <li>Eco-Settings</li> </ul>	<p>Change the icons that appear on the home screen.                      Select from the following options:</p> <ul style="list-style-type: none"> <li>Display</li> <li>Do Not display</li> </ul>
<p><b>Date Format</b></p> <ul style="list-style-type: none"> <li>MM-DD-YYYY</li> <li>DD-MM-YYYY</li> <li>YYYY-MM-DD</li> </ul>	<p>Format the printer date.</p> <p><b>Note:</b> MM-DD-YYYY is the U.S. factory default setting. DD-MM-YYYY is the international factory default setting.</p>
<p><b>Time Format</b></p> <ul style="list-style-type: none"> <li>12 hour A.M./P.M.</li> <li>24 hour clock</li> </ul>	<p>Format the time.</p> <p><b>Note:</b> 12 hour A.M./P.M. is the factory default setting.</p>
<p><b>Screen Brightness</b></p> <ul style="list-style-type: none"> <li>20–100</li> </ul>	<p>Specify the brightness of the display.</p> <p><b>Note:</b> 100 is the factory default setting.</p>
<p><b>Audio Feedback</b></p> <ul style="list-style-type: none"> <li>Button Feedback                             <ul style="list-style-type: none"> <li>On</li> <li>Off</li> </ul> </li> <li>Volume                             <ul style="list-style-type: none"> <li>1–10</li> </ul> </li> </ul>	<p>Set the button volume and feedback.</p> <p><b>Notes:</b></p> <ul style="list-style-type: none"> <li>• On is the factory default setting for Button Feedback.</li> <li>• 5 is the factory default setting for Volume.</li> </ul>

Use	To
<b>Show Bookmarks</b> Yes No	Specify whether to display bookmarks from the Held Jobs area. <b>Note:</b> Yes is the factory default setting.
<b>Web Page Refresh Rate</b> 30–300	Specify the number of seconds between Embedded Web Server refreshes. <b>Note:</b> 120 is the factory default setting.
<b>Contact Name</b>	Specify a contact name for the printer. <b>Note:</b> The contact name is stored on the Embedded Web Server.
<b>Location</b>	Specify the printer location. <b>Note:</b> The location is stored on the Embedded Web Server.
<b>Alarms</b> Alarm Control Cartridge Alarm	Set an alarm when the printer requires user intervention. For each alarm type, select from the following options: Off Single Continuous <b>Note:</b> Single is the factory default setting.
<b>Timeouts</b> Standby Mode Disabled 1–240	Set the time in minutes before the printer enters a lower power state. <b>Note:</b> 15 is the factory default setting.
<b>Timeouts</b> Sleep Mode Disabled 1–120	Set the idle time before the printer begins operating in Sleep Mode. <b>Notes:</b> <ul style="list-style-type: none"> <li>• 20 is the factory default setting.</li> <li>• Disabled appears only when Energy Conserve is set to Off.</li> <li>• Lower settings conserve more energy, but may require longer warm-up times.</li> </ul>
<b>Timeouts</b> Print with Display Off Allow printing with display off Display on when printing	Print a job with the display turned off. <b>Note:</b> Display on when printing is the factory default setting.

Use	To
<p><b>Timeouts</b></p> <p>Hibernate Timeout</p> <ul style="list-style-type: none"> <li>Disabled</li> <li>20 minutes</li> <li>1 hour</li> <li>2 hours</li> <li>3 hours</li> <li>6 hours</li> <li>1 day</li> <li>2 days</li> <li>3 days</li> <li>1 week</li> <li>2 weeks</li> <li>1 month</li> </ul>	<p>Set the time before the printer enters Hibernate mode.</p> <p><b>Note:</b> 3 days is the factory default setting.</p>
<p><b>Hibernate Timeout on Connection</b></p> <ul style="list-style-type: none"> <li>Hibernate</li> <li>Do Not Hibernate</li> </ul>	<p>Set the printer to Hibernate mode even if there is an active Ethernet connection.</p> <p><b>Notes:</b></p> <ul style="list-style-type: none"> <li>• Hibernate is the factory default setting.</li> <li>• The fax function is available only in some printer models.</li> </ul>
<p><b>Timeouts</b></p> <p>Screen Timeout</p> <p>15–300</p>	<p>Set the idle time before the display automatically returns to a Ready state.</p> <p><b>Note:</b> 30 is the factory default setting.</p>
<p><b>Timeouts</b></p> <p>Print Timeout</p> <ul style="list-style-type: none"> <li>Disabled</li> <li>1–255</li> </ul>	<p>Set the printer to end a print job after it has been idle for the specified amount of time.</p> <p><b>Notes:</b></p> <ul style="list-style-type: none"> <li>• 90 is the factory default setting.</li> <li>• When the timer expires, any partially printed page still in the printer is printed, and then the printer checks to see if any new print jobs are waiting.</li> <li>• Print Timeout is available only when using PCL emulation.</li> </ul>
<p><b>Timeouts</b></p> <p>Wait Timeout</p> <ul style="list-style-type: none"> <li>Disabled</li> <li>15–65535</li> </ul>	<p>Set the time in seconds the printer waits to receive more data from the host.</p> <p><b>Notes:</b></p> <ul style="list-style-type: none"> <li>• 40 is the factory default setting.</li> <li>• Wait Timeout is available only when the printer is using PostScript emulation.</li> </ul>
<p><b>Timeouts</b></p> <p>Job Hold Timeout</p> <p>5–255</p>	<p>Set the time the printer waits for user intervention before it holds jobs that require unavailable resources.</p> <p><b>Notes:</b></p> <ul style="list-style-type: none"> <li>• 30 seconds is the factory default setting.</li> <li>• This menu appears only when a hard disk is installed.</li> </ul>

Use	To
<p><b>Error Recovery</b></p> <ul style="list-style-type: none"> <li>Auto Reboot</li> <li>Reboot when idle</li> <li>Reboot always</li> <li>Reboot never</li> </ul>	<p>Set the printer to restart when an error occurs.</p> <p><b>Note:</b> Reboot always is the factory default setting.</p>
<p><b>Error Recovery</b></p> <ul style="list-style-type: none"> <li>Max Auto Reboots</li> <li>1–20</li> </ul>	<p>Determine the number of automatic reboots that the printer can perform.</p> <p><b>Note:</b> 2 is the factory default setting.</p>
<p><b>Print Recovery</b></p> <ul style="list-style-type: none"> <li>Auto Continue</li> <li>Disabled</li> <li>5–255</li> </ul>	<p>Let the printer automatically continue printing from certain offline situations when these are not resolved within the specified time period.</p> <p><b>Note:</b> Disabled is the factory default setting.</p>
<p><b>Print Recovery</b></p> <ul style="list-style-type: none"> <li>Jam Recovery</li> <li>On</li> <li>Off</li> <li>Auto</li> </ul>	<p>Specify whether the printer reprints jammed pages.</p> <p><b>Note:</b> Auto is the factory default setting. The printer reprints jammed pages unless other printer tasks need the memory required to hold the pages.</p>
<p><b>Print Recovery</b></p> <ul style="list-style-type: none"> <li>Page Protect</li> <li>Off</li> <li>On</li> </ul>	<p>Set the printer to print the correct output for a page.</p> <p><b>Note:</b> Off is the factory default setting.</p>
<p><b>Accessibility Settings</b></p> <ul style="list-style-type: none"> <li>Prolong Screen Timeout</li> <li>On</li> <li>Off</li> </ul>	<p>Remain in the same location and reset the Screen Timeout timer instead of returning to the home screen.</p> <p><b>Note:</b> Off is the factory default setting.</p>
<p><b>Accessibility Settings</b></p> <ul style="list-style-type: none"> <li>Speech Rate</li> <li>Very Slow</li> <li>Slow</li> <li>Normal</li> <li>Fast</li> <li>Faster</li> <li>Very Fast</li> <li>Rapid</li> <li>Very Rapid</li> <li>Fastest</li> </ul>	<p>Adjust the Voice Guidance speaking rate.</p> <p><b>Note:</b> Normal is the factory default setting.</p>
<p><b>Accessibility Settings</b></p> <ul style="list-style-type: none"> <li>Headphone Volume</li> <li>1–10</li> </ul>	<p>Set the headphones volume.</p> <p><b>Note:</b> 5 is the factory default setting.</p>
<p><b>Information Sent to Lexmark</b></p> <ul style="list-style-type: none"> <li>Supplies and Page Usage (Anonymous)</li> <li>On</li> <li>Off</li> </ul>	<p>Send anonymous device usage information to Lexmark.</p> <p><b>Note:</b> The default value depends on what you selected during the initial setup.</p>

Use	To
<b>Press Sleep Button</b> Do Nothing Sleep Hibernate	Determine how the printer, while in idle state, reacts to a short press of the Sleep button. <b>Note:</b> Sleep is the factory default setting.
<b>Press and Hold Sleep Button</b> Do Nothing Sleep Hibernate	Determine how the printer, while in idle state, reacts to a long press of the Sleep button. <b>Note:</b> Do Nothing is the factory default setting.
<b>Factory Defaults</b> Do Not Restore Restore Now	Use the printer factory default settings. <b>Notes:</b> <ul style="list-style-type: none"> <li>• Do Not Restore is the factory default setting.</li> <li>• Restore Now sets all printer settings to the factory default settings except for the Network/Ports menu settings. All downloads stored in the RAM are deleted. Downloads stored in the flash memory or on a hard disk are not affected.</li> </ul>
<b>Export Configuration File</b> Export	Export configuration files to a flash drive.
<b>Export Compressed Logs File</b> Export	Export the printer compressed logs file to a flash drive.

## Flash Drive menu

Use	To
<b>Copies</b> 1–999	Specify a default number of copies for each print job. <b>Note:</b> 1 is the factory default setting.
<b>Paper Source</b> Tray [x] Multipurpose Feeder Manual Paper Manual Envelope	Set a default paper source for all print jobs. <b>Note:</b> Tray 1 is the factory default setting.
<b>Color</b> Color Black Only	Generate color or black-and-white outputs. <b>Notes:</b> <ul style="list-style-type: none"> <li>• Color is the factory default setting.</li> <li>• This setting can generate color output only from a flash drive print job.</li> </ul>
<b>Collate</b> (1,1) (2,2,2) (1,2,3) (1,2,3)	Stack the pages of a print job in sequence when printing multiple copies. <b>Note:</b> “(1,2,3) (1,2,3)” is the factory default setting.
<b>Sides (Duplex)</b> 1 sided 2 sided	Specify whether prints are on one side or on both sides of the paper. <b>Note:</b> “1 sided” is the factory default setting.

Use	To
<p><b>Duplex Binding</b>                      Long Edge                      Short Edge</p>	<p>Define binding for duplexed pages in relation to paper orientation.</p> <p><b>Notes:</b></p> <ul style="list-style-type: none"> <li>• Long Edge is the factory default setting. Long Edge assumes binding along the long edge of the page (left edge for portrait and top edge for landscape).</li> <li>• Short Edge assumes binding along the short edge of the page (top edge for portrait and left edge for landscape).</li> </ul>
<p><b>Paper Saver Orientation</b>                      Auto                      Landscape                      Portrait</p>	<p>Specify the orientation of a multiple-page document.</p> <p><b>Notes:</b></p> <ul style="list-style-type: none"> <li>• Auto is the factory default setting. The printer chooses between portrait and landscape.</li> <li>• This setting affects jobs only when Paper Saver is set to any value other than Off.</li> </ul>
<p><b>Paper Saver</b>                      Off                      2-Up                      3-Up                      4-Up                      6-Up                      9-Up                      12-Up                      16-Up</p>	<p>Print multiple-page images on one side of the paper.</p> <p><b>Notes:</b></p> <ul style="list-style-type: none"> <li>• Off is the factory default setting.</li> <li>• The number selected is the number of page images that will print per side.</li> </ul>
<p><b>Paper Saver Border</b>                      None                      Solid</p>	<p>Print a border on each page image when using Paper Saver Border.</p> <p><b>Notes:</b></p> <ul style="list-style-type: none"> <li>• None is the factory default setting.</li> <li>• This setting affects jobs only when Paper Saver is set to any value other than Off.</li> </ul>
<p><b>Paper Saver Ordering</b>                      Horizontal                      Reverse Horizontal                      Reverse Vertical                      Vertical</p>	<p>Specify the positioning of multiple-page images when using Paper Saver Ordering.</p> <p><b>Notes:</b></p> <ul style="list-style-type: none"> <li>• Horizontal is the factory default setting.</li> <li>• Positioning depends on the number of page images and whether they are in portrait or landscape orientation.</li> <li>• This setting affects jobs only when Paper Saver is set to any value other than Off.</li> </ul>

Use	To
<b>Separator Sheets</b> Off Between Copies Between Jobs Between Pages	Specify whether blank separator sheets are inserted. <b>Notes:</b> <ul style="list-style-type: none"> <li>• Off is the factory default setting.</li> <li>• Between Copies inserts a blank sheet between each copy of a print job when Collate is set to “(1,2,3) (1,2,3).” When Collate is set to “(1,1,1) (2,2,2),” then a blank page is inserted between each set of printed pages, such as after all page 1's and after all page 2's.</li> <li>• Between Jobs inserts a blank sheet between print jobs.</li> <li>• Between Pages inserts a blank sheet between each page of the print job. This setting is useful when printing transparencies or inserting blank pages in a document for notes.</li> </ul>
<b>Separator Sheet Source</b> Tray [x] Multipurpose Feeder	Specify the paper source for separator sheets. <b>Note:</b> Tray 1 is the factory default setting.
<b>Blank Pages</b> Do Not Print Print	Specify whether blank pages are inserted in a print job. <b>Note:</b> Do Not Print is the factory default setting.

## Print Settings

### Finishing menu

Use	To
<b>Sides (Duplex)</b> 1 sided 2 sided	Specify whether two-sided (duplex) printing is set as the default for all print jobs. <b>Notes:</b> <ul style="list-style-type: none"> <li>• “1 sided” is the factory default setting.</li> <li>• You can set two-sided printing from the printer software.                          For Windows users:                          Click <b>File &gt; Print</b>, and then click <b>Properties, Preferences, Options, or Setup</b>.                          For Macintosh users:                          Choose <b>File &gt; Print</b>, and then adjust the settings from the Print dialog and pop-up menus.</li> </ul>
<b>Duplex Binding</b> Long Edge Short Edge	Define binding for duplexed pages in relation to page orientation. <b>Notes:</b> <ul style="list-style-type: none"> <li>• Long Edge is the factory default setting. This assumes binding along the long edge of the page (left edge for portrait and top edge for landscape).</li> <li>• Short Edge assumes binding along the short edge of the page (top edge for portrait and left edge for landscape).</li> </ul>
<b>Copies</b> 1–999	Specify the default number of copies for each print job. <b>Note:</b> 1 is the factory default setting.



Use	To
<b>Blank Pages</b> Do Not Print Print	Specify whether blank pages are inserted in a print job. <b>Note:</b> Do Not Print is the factory default setting.
<b>Collate</b> (1,1,1) (2,2,2) (1,2,3) (1,2,3)	Stack the pages of a print job in sequence when printing multiple copies. <b>Note:</b> “(1,2,3) (1,2,3)” is the factory default setting.
<b>Separator Sheets</b> Off Between Copies Between Jobs Between Pages	Specify whether blank separator sheets are inserted. <b>Notes:</b> <ul style="list-style-type: none"> <li>• Off is the factory default setting.</li> <li>• Between Copies inserts a blank sheet between each copy of a print job if Collate is set to “(1,2,3) (1,2,3).” If Collate is set to “(1,1,1) (2,2,2),” then a blank page is inserted between each set of printed pages, such as after all page 1's and after all page 2's.</li> <li>• Between Jobs inserts a blank sheet between print jobs.</li> <li>• Between Pages inserts a blank sheet between each page of a print job. This setting is useful when printing transparencies or when inserting blank pages in a document.</li> </ul>
<b>Separator Source</b> Tray [x] Multipurpose Feeder	Specify the paper source for the separator sheet. <b>Note:</b> Tray 1 (standard tray) is the factory default setting.
<b>Paper Saver</b> Off 2-Up 3-Up 4-Up 6-Up 9-Up 12-Up 16-Up	Print multiple pages on a single sheet of paper. <b>Notes:</b> <ul style="list-style-type: none"> <li>• Off is the factory default setting.</li> <li>• When the number of pages per sheet is selected, each page is scaled so that the number of pages you want can be displayed on the sheet.</li> </ul>
<b>Paper Saver Ordering</b> Horizontal Reverse Horizontal Reverse Vertical Vertical	Specify the order in which pages are printed on a single sheet when using Paper Saver. <b>Notes:</b> <ul style="list-style-type: none"> <li>• Horizontal is the factory default setting.</li> <li>• Positioning depends on the number of page images and whether they are in portrait or in landscape orientation.</li> </ul>
<b>Paper Saver Orientation</b> Auto Landscape Portrait	Specify the orientation in which pages are printed on a single sheet. <b>Note:</b> Auto is the factory default setting. The printer chooses between portrait and landscape.
<b>Paper Saver Border</b> None Solid	Print a border when using Paper Saver. <b>Note:</b> None is the factory default setting.

## Quality menu

Use	To
<b>Print Mode</b> Color Black Only	Specify whether images are printed in black and white or in color. <b>Notes:</b> <ul style="list-style-type: none"> <li>• Color is the factory default setting.</li> <li>• The printer driver is capable of overriding this setting.</li> </ul>
<b>Color Correction</b> Auto Off Manual	Adjust the color output on the printed page. <b>Notes:</b> <ul style="list-style-type: none"> <li>• Auto is the factory default setting. This applies different color conversion tables to each object on the printed page.</li> <li>• Off turns off color correction.</li> <li>• Manual allows customization of the color tables using the settings available from the Manual Color menu.</li> <li>• Due to the differences in additive and subtractive colors, certain colors that appear on computer monitors are impossible to duplicate on the printed page.</li> </ul>
<b>Print Resolution</b> 1200 dpi 4800 CQ	Specify the printed output resolution in dots per inch or in color quality (CQ). <b>Note:</b> 4800 CQ is the factory default setting.
<b>Toner Darkness</b> 1–5	Lighten or darken the printed output. <b>Notes:</b> <ul style="list-style-type: none"> <li>• 4 is the factory default setting.</li> <li>• Selecting a smaller number can help conserve toner.</li> </ul>
<b>Enhance Fine Lines</b> On Off	Enable a print mode preferable for files such as architectural drawings, maps, electrical circuit diagrams, and flow charts. <b>Notes:</b> <ul style="list-style-type: none"> <li>• Off is the factory default setting.</li> <li>• To set this option using the Embedded Web Server, type the network printer IP address in the Web browser address field.</li> <li>• You can set this option from the software program.                For Windows users:                Click <b>File &gt; Print</b>, and then click <b>Properties, Preferences, Options, or Setup</b>.                For Macintosh users:                Choose <b>File &gt; Print</b>, and then adjust the settings from the Print dialog and pop-up menus.</li> </ul>
<b>Color Saver</b> On Off	Reduce the amount of toner used for graphics and images. The amount of toner used for text is not reduced. <b>Notes:</b> <ul style="list-style-type: none"> <li>• Off is the factory default setting.</li> <li>• On overrides Toner Darkness settings.</li> </ul>

Use	To
<b>RGB Brightness</b> -6 to 6	Adjust the printed output either by lightening or darkening it. You can conserve toner by lightening the output. <b>Note:</b> 0 is the factory default setting.
<b>RGB Contrast</b> 0–5	Adjust the contrast of printed objects. <b>Note:</b> 0 is the factory default setting.
<b>RGB Saturation</b> 0–5	Adjust saturation in color outputs. <b>Note:</b> 0 is the factory default setting.
<b>Color Balance</b> Cyan -5 to 5 Magenta -5 to 5 Yellow -5 to 5 Black -5 to 5 Reset Defaults	Adjust color in printed output by increasing or decreasing the amount of toner being used for each color. <b>Note:</b> 0 is the factory default setting.
<b>Color Samples</b> sRGB Display sRGB Vivid Display—True Black Vivid Off—RGB US CMYK Euro CMYK Vivid CMYK Off—CMYK	Print sample pages for each of the RGB and CMYK color conversion tables used in the printer. <b>Notes:</b> <ul style="list-style-type: none"> <li>• Selecting any setting prints the sample.</li> <li>• Color samples consist of a series of colored boxes along with the RGB or CMYK combination that creates the color observed. These pages can be used to help decide which combinations to use to get the printed output you want.</li> <li>• To access a complete list of color sample pages using the Embedded Web Server, type the network printer IP address in the Web browser address field.</li> </ul>

Use	To
<p><b>Manual Color</b></p> <ul style="list-style-type: none"> <li>RGB Image</li> <li>RGB Text</li> <li>RGB Graphics</li> </ul>	<p>Customize the RGB color conversions.</p> <p>Select from the following options:</p> <ul style="list-style-type: none"> <li>Vivid</li> <li>sRGB Display</li> <li>Display—True Black</li> <li>sRGB Vivid</li> <li>Off</li> </ul> <p><b>Notes:</b></p> <ul style="list-style-type: none"> <li>• sRGB Display is the factory default setting for RGB Image. This applies a color conversion table to an output that matches the colors displayed on a computer monitor.</li> <li>• sRGB Vivid is the factory default setting for RGB Text and RGB Graphics. This applies a color table that increases saturation. This is preferred for business graphics and text.</li> <li>• Vivid applies a color conversion table that produces brighter, more saturated colors.</li> <li>• “Display—True Black” applies a color conversion table that uses only black toner for neutral gray colors.</li> <li>• Off turns off color conversion.</li> </ul>
<p><b>Manual Color (continued)</b></p> <ul style="list-style-type: none"> <li>CMYK Image</li> <li>CMYK Text</li> <li>CMYK Graphics</li> </ul>	<p>Customize the CMYK color conversions.</p> <p>Select from the following options:</p> <ul style="list-style-type: none"> <li>US CMYK</li> <li>Euro CMYK</li> <li>Vivid CMYK</li> <li>Off</li> </ul> <p><b>Notes:</b></p> <ul style="list-style-type: none"> <li>• US CMYK is the factory default setting. This applies a color conversion table that tries to produce output that matches SWOP color output.</li> <li>• Euro CMYK is the international factory default setting. This applies a color conversion table that tries to produce output that matches Euroscale color output.</li> <li>• Vivid CMYK increases color saturation for the US conversion table.</li> <li>• Off turns off color conversion.</li> </ul>
<p><b>Spot Color Replacement</b></p>	<p>Assign specific CMYK values to named spot colors.</p> <p><b>Note:</b> This menu is available only in the Embedded Web Server.</p>
<p><b>Color Adjust</b></p>	<p>Initiate a recalibration of color conversion tables and allow the printer to make adjustments for color variations in output.</p> <p><b>Notes:</b></p> <ul style="list-style-type: none"> <li>• Adjusting color starts when the menu is selected. <b>Adjusting color</b> appears on the display until the process is finished.</li> <li>• Color variations in output sometimes result from changeable conditions such as room temperature and humidity. Color adjustments are made on printer algorithms. Color alignment is also recalibrated in this process.</li> </ul>

### Job Accounting menu

**Note:** This menu item appears only when a printer hard disk is installed. Make sure that the hard disk is not read/write- or write-protected.

Use	To
<b>Job Accounting Log</b> Off On	Set if the printer creates a log of the print jobs it receives. <b>Note:</b> Off is the factory default setting.
<b>Job Accounting Utilities</b>	Print and delete log files or export them to a flash drive.
<b>Accounting Log Frequency</b> Daily Weekly Monthly	Set how often a log file is created. <b>Note:</b> Monthly is the factory default setting.
<b>Log Action at End of Frequency</b> None E-mail Current Log E-mail & Delete Current Log Post Current Log Post & Delete Current Log	Set how the printer responds when the frequency threshold expires. <b>Note:</b> None is the factory default setting.
<b>Log Near Full Level</b> Off 1–99	Specify the maximum size of the log file before the printer executes the Log Action at Near Full. <b>Note:</b> 5 is the factory default setting.
<b>Log Action at Near Full</b> None E-mail Current Log E-mail & Delete Current Log E-mail & Delete Oldest Log Post Current Log Post & Delete Current Log Post & Delete Oldest Log Delete Current Log Delete Oldest Log Delete All Logs Delete All But Current	Set how the printer responds when the hard disk is nearly full. <b>Notes:</b> <ul style="list-style-type: none"> <li>• None is the factory default setting.</li> <li>• The value defined in Log Near Full Level determines when this action is triggered.</li> </ul>
<b>Log Action at Full</b> None E-mail & Delete Current Log E-mail & Delete Oldest Log Post & Delete Current Log Post & Delete Oldest Log Delete Current Log Delete Oldest Log Delete All Logs Delete All But Current	Set how the printer responds when disk usage reaches the maximum limit (100MB). <b>Note:</b> None is the factory default setting.

Use	To
<b>URL to Post Logs</b>	Set where the printer posts job accounting logs.
<b>E-mail to Send Logs</b>	Specify the e-mail address to which the device sends job accounting logs.
<b>Log File Prefix</b>	Specify the prefix you want for the log file name. <b>Note:</b> The current host name defined in the TCP/IP menu is used as the default log file prefix.

### Utilities menu

Use	To
<b>Remove Held Jobs</b> Confidential Held Not Restored All	Delete confidential and held jobs from the printer hard disk. <b>Notes:</b> <ul style="list-style-type: none"> <li>• Selecting a setting affects only print jobs that are resident in the printer. Bookmarks, print jobs on flash drives, and other types of held jobs are not affected.</li> <li>• Not Restored removes all Print and Hold jobs that are <i>not</i> restored from the printer hard disk or memory.</li> </ul>
<b>Format Flash</b> Yes No	Format the flash memory. <b>Warning—Potential Damage:</b> Do not turn off the printer while the flash memory is being formatted. <b>Notes:</b> <ul style="list-style-type: none"> <li>• Yes deletes all data stored in flash memory.</li> <li>• No cancels the format request.</li> <li>• Flash memory refers to the memory added by installing a flash memory card in the printer.</li> <li>• The flash memory option card must not be read/write- or write-protected.</li> <li>• This menu item appears only when a non-defective flash memory card is installed.</li> </ul>
<b>Delete Downloads on Disk</b> Delete Now Do Not Delete	Delete downloads from the printer hard disk, including all held jobs, buffered jobs, and parked jobs. <b>Notes:</b> <ul style="list-style-type: none"> <li>• Delete Now sets the printer to delete the downloads and allows the display to return to the originating screen after the deletion.</li> <li>• Do Not Delete sets the printer display to return to the main Utilities menu for touch-screen printer models. When selected in non-touch-screen printer models, Do Not Delete sets the printer to return to the originating screen after the deletion.</li> </ul>
<b>Activate Hex Trace</b>	Assist in isolating the source of a print job problem. <b>Notes:</b> <ul style="list-style-type: none"> <li>• When activated, all data sent to the printer is printed in hexadecimal and character representation, and control codes are not executed.</li> <li>• To exit or deactivate Hex Trace, turn off or reset the printer.</li> </ul>

Use	To
<b>Coverage Estimator</b> Off On	Provide an estimate of the percentage coverage of toner on a page. The estimate is printed on a separate page at the end of each print job.  <b>Note:</b> Off is the factory default setting.

### XPS menu

Use	To
<b>Print Error Pages</b> Off On	Print a page containing information on errors, including XML markup errors.  <b>Note:</b> Off is the factory default setting.

### PDF menu

Use	To
<b>Scale to Fit</b> Yes No	Scale page content to fit the selected paper size.  <b>Note:</b> No is the factory default setting.
<b>Annotations</b> Do Not Print Print	Print annotations in a PDF.  <b>Note:</b> Do Not Print is the factory default setting.

### PostScript menu

Use	To
<b>Print PS Error</b> On Off	Print a page containing the PostScript error.  <b>Note:</b> Off is the factory default setting.
<b>Lock PS Startup Mode</b> On Off	Enable users to disable the SysStart file.  <b>Note:</b> Off is the factory default setting.
<b>Font Priority</b> Resident Flash/Disk	Establish the font search order.  <b>Notes:</b> <ul style="list-style-type: none"> <li>• Resident is the factory default setting.</li> <li>• This menu item appears only when a formatted, non-defective flash memory option card or printer hard disk is installed.</li> <li>• Make sure the flash memory option or printer hard disk is not read/write-, write-, or password-protected.</li> <li>• Job Buffer Size must not be set to 100%.</li> </ul>

Use	To
<p><b>Image Smoothing</b></p> <p>On</p> <p>Off</p>	<p>Enhance the contrast and sharpness of low-resolution images and smoothen their color transitions.</p> <p><b>Notes:</b></p> <ul style="list-style-type: none"> <li>• Off is the factory default setting.</li> <li>• Image Smoothing has no effect on images that are 300 dpi or higher in resolution.</li> </ul>

**PCL Emul menu**

Use	To
<p><b>Font Source</b></p> <p>Resident</p> <p>Download</p> <p>All</p>	<p>Specify the set of fonts used in the Font Name menu.</p> <p><b>Notes:</b></p> <ul style="list-style-type: none"> <li>• “Resident” is the factory default setting. It shows the factory default set of fonts downloaded in the RAM.</li> <li>• “Download” shows all the fonts downloaded in the RAM.</li> <li>• “All” shows all fonts available to any option.</li> </ul>
<p><b>Font Name</b></p> <p>Courier 10</p>	<p>Identify a specific font and where it is stored.</p> <p><b>Note:</b> Courier 10 is the factory default setting.</p>
<p><b>Symbol Set</b></p> <p>10U PC-8</p> <p>12U PC-850</p>	<p>Specify the symbol set for each font name.</p> <p><b>Notes:</b></p> <ul style="list-style-type: none"> <li>• 10U PC-8 is the U.S. factory default setting. 12U PC-850 is the international factory default setting.</li> <li>• A symbol set is a set of alphabetical and numeric characters, punctuation, and special symbols. Symbol sets support the different languages or specific programs, such as math symbols for scientific text. Only the supported symbol sets are shown.</li> </ul>
<p><b>PCL Emulation Settings</b></p> <p>Point Size</p> <p>1.00–1008.00</p>	<p>Change the point size for scalable typographic fonts.</p> <p><b>Notes:</b></p> <ul style="list-style-type: none"> <li>• 12 is the factory default setting.</li> <li>• Point size refers to the height of the characters in the font. One point equals approximately 0.014 of an inch. This can be increased or decreased in 0.25-point increments.</li> </ul>
<p><b>PCL Emulation Settings</b></p> <p>Pitch</p> <p>0.08–100.00</p>	<p>Specify the font pitch for scalable monospaced fonts.</p> <p><b>Notes:</b></p> <ul style="list-style-type: none"> <li>• 10 is the factory default setting.</li> <li>• Pitch refers to the number of fixed-space characters per inch (cpi). This can be increased or decreased in 0.01-cpi increments.</li> <li>• For non-scalable monospaced fonts, the pitch appears on the display but cannot be changed.</li> </ul>



Use	To
<b>PCL Emulation Settings</b> Orientation Portrait Landscape	Specify the orientation of text and graphics on a page.  <b>Notes:</b> <ul style="list-style-type: none"> <li>• Portrait is the factory default setting. It prints text and graphics parallel to the short edge of the page.</li> <li>• Landscape prints text and graphics parallel to the long edge of the page.</li> </ul>
<b>PCL Emulation Settings</b> Lines per Page 1–255	Specify the number of lines that print on each page.  <b>Notes:</b> <ul style="list-style-type: none"> <li>• 60 is the U.S. factory default setting. 64 is the international default setting.</li> <li>• The printer sets the amount of space between each line based on the Lines per Page, Paper Size, and Orientation settings. Select the paper size and orientation before setting Lines per Page.</li> </ul>
<b>PCL Emulation Settings</b> A4 Width 198 mm 203 mm	Set the printer to print on A4-size paper.  <b>Notes:</b> <ul style="list-style-type: none"> <li>• 198 mm is the factory default setting.</li> <li>• The 203-mm setting sets the width of the page to allow the printing of eighty 10-pitch characters.</li> </ul>
<b>PCL Emulation Settings</b> Auto CR after LF On Off	Specify whether the printer automatically performs a carriage return (CR) after a line feed (LF) control command.  <b>Note:</b> Off is the factory default setting.
<b>PCL Emulation Settings</b> Auto LF after CR On Off	Specify whether the printer automatically performs a line feed (LF) after a carriage return (CR) control command.  <b>Note:</b> Off is the factory default setting.

Use	To
<p><b>Tray Renumber</b></p> <p>Assign Multipurpose Feeder</p> <p>Off</p> <p>None</p> <p>0–199</p> <p>Assign Tray [x]</p> <p>Off</p> <p>None</p> <p>0–199</p> <p>Assign Manual Paper</p> <p>Off</p> <p>None</p> <p>0–199</p> <p>Assign Manual Envelope</p> <p>Off</p> <p>None</p> <p>0–199</p>	<p>Configure the printer to work with printer software or programs that use different source assignments for trays and feeders.</p> <p><b>Notes:</b></p> <ul style="list-style-type: none"> <li>• “Off” is the factory default setting.</li> <li>• “None” ignores the Select Paper Feed command. This option appears only when it is selected by the PCL 5e interpreter.</li> <li>• “0–199” allows a custom setting to be assigned.</li> </ul>
<p><b>Tray Renumber</b></p> <p>View Factory Defaults</p> <p>MPF Default = 8</p> <p>T1 Default = 1</p> <p>T2 Default = 4</p> <p>T3 Default = 5</p> <p>T4 Default = 20</p> <p>T5 Default = 21</p> <p>Env Default = 6</p> <p>MPaper Default = 2</p> <p>MEnv Default = 3</p>	<p>Show the factory default setting assigned to each tray or feeder.</p>
<p><b>Tray Renumber</b></p> <p>Restore Defaults</p> <p>Yes</p> <p>No</p>	<p>Restore all tray and feeder assignments to the factory default settings.</p>

### HTML menu

Use		To
<b>Font Name</b> Albertus MT Antique Olive Apple Chancery Arial MT Avant Garde Bodoni Bookman Chicago Clarendon Cooper Black Copperplate Coronet Courier Eurostile Garamond Geneva Gill Sans Goudy Helvetica Hoefler Text Intl CG Times Intl Courier Intl Univers	Joanna MT Letter Gothic Lubalin Graph Marigold MonaLisa Recut Monaco New CenturySbk New York Optima Oxford Palatino StempelGaramond Taffy Times TimesNewRoman Univers Zapf Chancery NewSansMTCS NewSansMTCT New SansMTJA NewSansMTKO	Set the default font for HTML documents.  <b>Note:</b> The Times font is used in HTML documents that do not specify a font.

Use	To
<b>Font Size</b> 1–255 pt	Set the default font size for HTML documents.  <b>Notes:</b> <ul style="list-style-type: none"> <li>• 12 pt is the factory default setting.</li> <li>• Font size can be increased in 1-point increments.</li> </ul>
<b>Scale</b> 1–400%	Scale the default font for HTML documents.  <b>Notes:</b> <ul style="list-style-type: none"> <li>• 100% is the factory default setting.</li> <li>• Scaling can be increased in 1% increments.</li> </ul>
<b>Orientation</b> Portrait Landscape	Set the page orientation for HTML documents.  <b>Note:</b> Portrait is the factory default setting.
<b>Margin Size</b> 8–255 mm	Set the page margin for HTML documents.  <b>Notes:</b> <ul style="list-style-type: none"> <li>• 19 mm is the factory default setting.</li> <li>• Margin size can be increased in 1-mm increments.</li> </ul>

Use	To
<b>Backgrounds</b> Do Not Print Print	Specify whether to print backgrounds on HTML documents. <b>Note:</b> Print is the factory default setting.

### Image menu

Use	To
<b>Auto Fit</b> On Off	Select the optimal paper size, scaling, and orientation. <b>Note:</b> On is the factory default setting. It overrides scaling and orientation settings for some images.
<b>Invert</b> On Off	Invert bitonal monochrome images. <b>Notes:</b> <ul style="list-style-type: none"> <li>• Off is the factory default setting.</li> <li>• This setting does not apply to GIF or JPEG images.</li> </ul>
<b>Scaling</b> Anchor Top Left Best Fit Anchor Center Fit Height/Width Fit Height Fit Width	Scale the image to fit the selected paper size. <b>Notes:</b> <ul style="list-style-type: none"> <li>• Best Fit is the factory default setting.</li> <li>• When Auto Fit is set to On, Scaling is automatically set to Best Fit.</li> </ul>
<b>Orientation</b> Portrait Landscape Reverse Portrait Reverse Landscape	Set the image orientation. <b>Note:</b> Portrait is the factory default setting.

### Help menu

The Help menu consists of a series of Help pages that are stored in the printer as PDFs. They contain information about using the printer and performing printing tasks.

English, French, German, and Spanish translations are stored in the printer. Other translations are available at <http://support.lexmark.com>.

Menu item	Description
Print All Guides	Prints all the guides
Media Guide	Provides a list of the paper sizes supported in trays and feeders
Menu Map	Provides a list of the printer control panel menus and settings
Printing Guide	Provides information about loading paper and other specialty media
Color Quality Guide	Provides information about solving color quality issues
Print Quality	Provides information about solving print quality issues

Menu item	Description
Supplies Guide	Provides part numbers for ordering supplies
Moving Guide	Provides instructions for safely moving the printer
Connection Guide	Provides information about connecting the printer locally (USB) or to a network
Print Defects Guide	Provides information about resolving print defects

# Saving money and the environment

Lexmark is committed to environmental sustainability and is continually improving its printers to reduce their impact on the environment. We design with the environment in mind, engineer our packaging to reduce materials, and provide collection and recycling programs. For more information, see:

- The Notices chapter
- The Environmental Sustainability section of the Lexmark Web site at [www.lexmark.com/environment](http://www.lexmark.com/environment)
- The Lexmark recycling program at [www.lexmark.com/recycle](http://www.lexmark.com/recycle)

By selecting certain printer settings or tasks, you may be able to reduce your printer's impact even further. This chapter outlines the settings and tasks that may yield a greater environmental benefit.

## Saving paper and toner

Studies show that as much as 80% of the carbon footprint of a printer is related to paper usage. You can significantly reduce your carbon footprint by using recycled paper and the following printing suggestions, such as printing on both sides of the paper and printing multiple pages on one side of a single sheet of paper.

For information on how you can quickly save paper and energy using one printer setting, see [“Using Eco-Mode” on page 118](#).

### Using recycled paper

As an environmentally conscious company, Lexmark supports the use of recycled office paper produced specifically for use in laser printers. For more information on recycled papers that work well with your printer, see [“Using recycled paper and other office papers” on page 58](#).

### Conserving supplies

- Print on both sides of the paper.  
**Note:** Two-sided printing is the default setting in the print driver.
- Print multiple pages on a single sheet of paper.
- Use the preview feature to see how the document looks like before printing it.
- Print one copy of the document to check its content and format for accuracy.

## Saving energy

### Using Eco-Mode

- 1 Open a Web browser, and then type the printer IP address in the address field.

**Notes:**

- View the printer IP address on the printer home screen. The IP address appears as four sets of numbers separated by periods, such as 123.123.123.123.

- If you are using a proxy server, then temporarily disable it to load the Web page correctly.

**2** Click **Settings > General Settings > Eco-Mode** > select a setting

Use	To
Off	Use the factory default settings for all settings associated with Eco-Mode. Off supports the performance specifications of the printer.
Energy	Reduce energy use, especially when the printer is idle. <ul style="list-style-type: none"> <li>• Printer engine motors do not start until it is ready to print. You may notice a short delay before the first page is printed.</li> <li>• The printer enters Sleep mode after one minute of inactivity.</li> </ul>
Energy/Paper	Use all the settings associated with Energy and Paper modes.
Plain Paper	<ul style="list-style-type: none"> <li>• Enable the automatic two-sided (duplex) feature.</li> <li>• Turn off print log features.</li> </ul>

**3** Click **Submit**.

## Reducing printer noise

Enable Quiet Mode to reduce printer noise.

**1** Open a Web browser, and then type the printer IP address in the address field.

**Notes:**

- View the printer IP address on the printer home screen. The IP address appears as four sets of numbers separated by periods, such as 123.123.123.123.
- If you are using a proxy server, then temporarily disable it to load the Web page correctly.

**2** Click **Settings > General Settings > Quiet Mode** > select a setting

Use	To
On	Reduce printer noise. <p><b>Notes:</b></p> <ul style="list-style-type: none"> <li>• Print jobs are processed at a reduced speed.</li> <li>• Printer engine motors do not start until a document is ready to print. There will be a short delay before the first page is printed.</li> </ul>
Off	Use factory default settings. <p><b>Note:</b> This setting supports the performance specifications of the printer.</p>

**3** Click **Submit**.

## Adjusting Sleep mode

1 From the home screen, navigate to:



> **Settings** > **General Settings** > **Timeouts** > **Sleep Mode**

2 In the Sleep Mode field, select the number of minutes the printer is idle before it enters Sleep mode.

3 Apply the changes.

## Using Hibernate mode

Hibernate is an ultra-low-power saving mode.

### Notes:

- Three days is the default amount of time before the printer enters Hibernate mode.
- Make sure to wake the printer from Hibernate mode before sending a print job. A hard reset or a long press of the Sleep button wakes the printer from Hibernate mode.
- If the printer is in Hibernate mode, then the Embedded Web Server is disabled.

1 From the home screen, navigate to:



> **Settings** > **General Settings**

2 Touch **Press Sleep Button** or **Press and Hold Sleep Button**.

3 Touch **Hibernate** > .

## Setting Hibernate Timeout

Hibernate Timeout lets you set the amount of time the printer waits after a print job is processed before it goes into a reduced power state.

### Using the Embedded Web Server

1 Open a Web browser, and then type the printer IP address in the address field.

#### Notes:

- View the printer IP address in the TCP/IP section in the Network/Ports menu. The IP address appears as four sets of numbers separated by periods, such as 123.123.123.123.
- If you are using a proxy server, then temporarily disable it to load the Web page correctly.

2 Click **Settings** > **General Settings** > **Timeouts**.

3 From the Hibernate Timeout menu, select the number of hours, days, weeks, or months you want for the printer to wait before it goes into a reduced power state.

4 Click **Submit**.



## Using the printer control panel

1 From the printer control panel, navigate to:



> **Settings** > **General Settings** > **Timeouts** > **Hibernate Timeout**

2 Select the amount of time the printer waits after a print job is processed before it enters Hibernate mode.

3 Touch .

## Using Schedule Power Modes

Schedule Power Modes lets you schedule when the printer goes into a reduced power state or into the Ready state.

**Note:** This feature is available only in network printers or printers connected to print servers.

### Using the Embedded Web Server

1 Open a Web browser, and then type the printer IP address in the address field.

**Notes:**

- View the printer IP address in the TCP/IP section in the Network/Ports menu. The IP address appears as four sets of numbers separated by periods, such as 123.123.123.123.
- If you are using a proxy server, then temporarily disable it to load the Web page correctly.

2 Click **Settings** > **General Settings** > **Schedule Power Modes**.

3 From the Action menu, select the power mode.

4 From the Time menu, select the time.

5 From the Day(s) menu, select the day or days.

6 Click **Add**.

## Adjusting the brightness of the printer display

To save energy, or if you have trouble reading from the display, adjust the brightness of the display.

### Using the Embedded Web Server

1 Open a Web browser, and then type the printer IP address in the address field.

**Notes:**

- The IP address is located on the upper portion of the home screen. It appears as four sets of numbers separated by periods, such as 123.123.123.123.
- If you are using a proxy server, then temporarily disable it to load the Web page correctly.

2 Select **Settings** > **General Settings**.

3 In the Screen Brightness field, enter the brightness percentage you want for the display.

4 Apply the changes.

## Using the control panel

1 From the home screen, navigate to:



> **Settings** > **General Settings**

2 In the Screen Brightness field, enter the brightness percentage you want for the display.

3 Apply the changes.

## Recycling

Lexmark provides collection programs and environmentally progressive approaches to recycling. For more information, see:

- The Notices chapter
- The Environmental Sustainability section of the Lexmark Web site at [www.lexmark.com/environment](http://www.lexmark.com/environment)
- The Lexmark recycling program at [www.lexmark.com/recycle](http://www.lexmark.com/recycle)

## Recycling Lexmark products

To return Lexmark products for recycling:

- 1 Go to [www.lexmark.com/recycle](http://www.lexmark.com/recycle).
- 2 Find the product type you want to recycle, and then select your country or region from the list.
- 3 Follow the instructions on the computer screen.

**Note:** Printer supplies and hardware not listed in the Lexmark collection program may be recycled through your local recycling center. Contact your local recycling center to determine the items they accept.

## Recycling Lexmark packaging

Lexmark continually strives to minimize packaging. Less packaging helps to ensure that Lexmark printers are transported in the most efficient and environmentally sensitive manner and that there is less packaging to dispose of. These efficiencies result in fewer greenhouse emissions, energy savings, and natural resource savings.

Lexmark cartons are 100% recyclable where corrugated recycling facilities exist. Facilities may not exist in your area.

The foam used in Lexmark packaging is recyclable where foam recycling facilities exist. Facilities may not exist in your area.

When you return a cartridge to Lexmark, you can reuse the box that the cartridge came in. Lexmark will recycle the box.

## Returning Lexmark cartridges for reuse or recycling

The Lexmark Cartridge Collection Program allows you to return used cartridges for free to Lexmark for reuse or recycling. One hundred percent of the empty cartridges returned to Lexmark are either reused or demanufactured for recycling. The boxes used to return the cartridges are also recycled.

To return Lexmark cartridges for reuse or recycling, do the following:

- 1** Go to [www.lexmark.com/recycle](http://www.lexmark.com/recycle).
- 2** Select the product that you want to recycle.

# Securing the printer

## Using the security lock feature

The printer is equipped with a security lock feature. Attach a security lock compatible with most laptop computers in the location shown to secure the printer in place.



## Statement of Volatility

Your printer contains various types of memory that can store device and network settings, and user data.

Type of memory	Description
Volatile memory	Your printer uses standard <i>random access memory</i> (RAM) to temporarily buffer user data during simple print jobs.
Non-volatile memory	Your printer may use two forms of non-volatile memory: EEPROM and NAND (flash memory). Both types are used to store the operating system, device settings, network information and bookmark settings, and embedded solutions.
Hard disk memory	Some printers have a hard disk drive installed. The printer hard disk is designed for printer-specific functionality. This lets the printer retain buffered user data from complex print jobs, as well as form data, and font data.

Erase the content of any installed printer memory in the following circumstances:

- The printer is being decommissioned.
- The printer hard disk is being replaced.

- The printer is being moved to a different department or location.
- The printer is being serviced by someone from outside your organization.
- The printer is being removed from your premises for service.
- The printer is being sold to another organization.

## Disposing of a printer hard disk

**Note:** Some printer models may not have a printer hard disk installed.

In high-security environments, it may be necessary to take additional steps to make sure that confidential data stored in the printer hard disk cannot be accessed when the printer—or its hard disk—is removed from your premises.

- **Degaussing**—Flushes the hard disk with a magnetic field that erases stored data
- **Crushing**—Physically compresses the hard disk to break component parts and render them unreadable
- **Milling**—Physically shreds the hard disk into small metal bits

**Note:** Most data can be erased electronically, but the only way to guarantee that all data are completely erased is to physically destroy each hard disk where data is stored.

## Erasing volatile memory

The volatile memory (RAM) installed in your printer requires a power source to retain information. To erase the buffered data, simply turn off the printer.

## Erasing non-volatile memory

Erase individual settings, device and network settings, security settings, and embedded solutions by following these steps:

- 1** Turn off the printer.
- 2** Hold down **2** and **6** on the keypad while turning the printer on. Release the buttons only when the screen with the progress bar appears.

The printer performs a power-on sequence, and then the Configuration menu appears. When the printer is fully turned on, a list of functions appears on the printer display instead of the standard home screen icons.

- 3** Touch **Wipe All Settings**.

The printer will restart several times during this process.

**Note:** Wipe All Settings securely removes device settings, solutions, jobs, and passwords from the printer memory.

- 4** Touch **Back > Exit Config Menu**.

The printer will perform a power-on reset, and then return to normal operating mode.

## Erasing printer hard disk memory

### Notes:

- Some printer models may not have a printer hard disk installed.
- Configuring Erase Temporary Data Files in the printer menus lets you remove residual confidential material left by print jobs by securely overwriting files that have been marked for deletion.

### Using the printer control panel

- 1 Turn off the printer.
- 2 Hold down **2** and **6** while turning the printer on. Release the buttons only when the screen with the progress bar appears.

The printer performs a power-on sequence, and then the Configuration menu appears. When the printer is fully turned on, a list of functions appears on the printer display.

- 3 Press the up or down arrow button until **Wipe Disk** appears, and then select one of the following:
  - **Wipe disk (fast)**—This lets you overwrite the disk with all zeroes in a single pass.
  - **Wipe disk (secure)**—This lets you overwrite the disk with random bit patterns several times, followed by a verification pass. A secure overwrite is compliant with the DoD 5220.22-M standard for securely erasing data from a hard disk. Highly confidential information should be wiped using this method.
- 4 Press the up or down arrow button until **Yes** appears, and then proceed with disk wiping.

### Notes:

- A status bar will indicate the progress of the disk wiping task.
- Disk wiping can take from several minutes to more than an hour, during which the printer will be unavailable for other user tasks.

- 5 Navigate to:

**Back > Exit Config Menu**

The printer will perform a power-on reset, and then return to normal operating mode.

## Finding printer security information

In high-security environments, it may be necessary to take additional steps to make sure that confidential data stored in the printer cannot be accessed by unauthorized persons. For more information, visit the [Lexmark security Web page](#).

You can also see the *Embedded Web Server — Security: Administrator's Guide* for additional information:

- 1 Go to [www.lexmark.com](http://www.lexmark.com), and then navigate to **Support & Downloads** > select your printer.
- 2 Click the **Manuals** tab, and then select *Embedded Web Server — Security: Administrator's Guide*.

## Configuring printer hard disk encryption

Enable hard disk encryption to prevent loss of sensitive data in the event the printer or its hard disk is stolen.

**Note:** Some printer models may not have a printer hard disk installed.

### Using the Embedded Web Server

1 Open a Web browser, and then type the printer IP address in the address field.

**Notes:**

- View the printer IP address on the printer home screen. The IP address appears as four sets of numbers separated by periods, such as 123.123.123.123.
- If you are using a proxy server, then temporarily disable it to load the Web page correctly.

2 Click **Settings** > **Security** > **Disk Encryption**.

**Note:** Disk Encryption appears in the Security Menu only when a formatted, non-defective printer hard disk is installed.

3 From the Disk encryption menu, select **Enable**.

**Notes:**

- Enabling disk encryption will erase the contents of the printer hard disk.
- Disk encryption can take from several minutes to more than an hour, during which the printer will be unavailable for other user tasks.

4 Click **Submit**.

### Using the printer control panel

1 Turn off the printer.

2 Hold down **2** and **6** while turning the printer on. Release the buttons only when the screen with the progress bar appears.

The printer performs a power-on sequence, and then the Configuration menu appears. When the printer is fully turned on, a list of functions appears on the printer display.

3 Touch **Disk Encryption** > **Enable**.

**Note:** Enabling disk encryption will erase the contents of the printer hard disk.

4 Touch **Yes** to proceed with disk wiping.

**Notes:**

- Do not turn off the printer during the encryption process. Doing so may result in loss of data.
- Disk encryption can take from several minutes to more than an hour, during which the printer will be unavailable for other user tasks.
- A status bar will indicate the progress of the disk wiping task. After the disk has been encrypted, the printer will return to the Enable/Disable screen.

5 Touch **Back** > **Exit Config Menu**.

The printer will perform a power-on reset, and then return to normal operating mode.

# Maintaining the printer

**Warning—Potential Damage:** Failure to maintain optimum printer performance periodically, or to replace parts and supplies, may cause damage to your printer.

## Cleaning the printer

### Cleaning the printer



**CAUTION—SHOCK HAZARD:** To avoid the risk of electrical shock when cleaning the exterior of the printer, unplug the power cord from the electrical outlet and disconnect all cables from the printer before proceeding.

#### Notes:

- Perform this task after every few months.
- Damage to the printer caused by improper handling is not covered by the printer warranty.

- 1 Turn off the printer, and then unplug the power cord from the electrical outlet.
- 2 Remove paper from the standard bin and multipurpose feeder.
- 3 Remove any dust, lint, and pieces of paper around the printer using a soft brush or vacuum.
- 4 Wipe the outside of the printer with a damp, soft, lint-free cloth.

#### Notes:

- Do not use household cleaners or detergents, as they may damage the finish of the printer.
- Make sure that all areas of the printer are dry after cleaning.

- 5 Connect the power cord, and then turn on the printer.

## Checking the status of supplies

A message appears on the display when a replacement supply item is needed or when maintenance is required. For more information, see [“Supplies menu” on page 70](#).

### Checking the status of parts and supplies on the printer control panel

From the home screen, navigate to:

**Status/Supplies > View Supplies**

### Checking the status of parts and supplies from the Embedded Web Server

**Note:** Make sure the computer and the printer are connected to the same network.

- 1 Open a Web browser, and then type the printer IP address in the address field.



**Notes:**

- View the printer IP address on the home screen. The IP address appears as four sets of numbers separated by periods, such as 123.123.123.123.
- If you are using a proxy server, then temporarily disable it to load the Web page correctly.

**2** Click **Device Status > More Details**.

## Estimated number of remaining pages

The estimated number of remaining pages is based on the recent printing history of the printer. Its accuracy may vary significantly and is dependent on many factors, such as actual document content, print quality settings, and other printer settings.

The accuracy of the estimated number of remaining pages may decrease when the actual printing consumption is different from the historical printing consumption. Consider the variable level of accuracy before purchasing or replacing supplies based on the estimate. Until an adequate print history is obtained on the printer, initial estimates assume future supplies consumption based on the International Organization for Standardization\* test methods and page content.

\* Average continuous black or composite CMY declared cartridge yield in accordance with ISO/IEC 19798.

## Ordering supplies

To order supplies in the U.S., contact Lexmark at 1-800-539-6275 for information about Lexmark authorized supplies dealers in your area. In other countries or regions, go to [www.lexmark.com](http://www.lexmark.com) or contact the place where you purchased the printer.

**Note:** All life estimates for printer supplies assume printing on letter- or A4-size plain paper.

## Using genuine Lexmark parts and supplies

Your Lexmark printer is designed to function best with genuine Lexmark supplies and parts. Use of third-party supplies or parts may affect the performance, reliability, or life of the printer and its imaging components. Use of third-party supplies or parts can affect warranty coverage. Damage caused by the use of third-party supplies or parts is not covered by the warranty. All life indicators are designed to function with Lexmark supplies and parts, and may deliver unpredictable results if third-party supplies or parts are used. Imaging component usage beyond the intended life may damage your Lexmark printer or its associated components.

## Ordering toner cartridges

**Notes:**

- Estimated cartridge yield is based on the ISO/IEC 19798 standard.
- Extremely low print coverage for extended periods of time may negatively affect actual yield and may cause cartridge parts to fail prior to exhaustion of toner.

### CS510 Return program toner cartridges

Item	United States and Canada	European Economic Area (EEA+)	Rest of Europe, Middle East, and Africa (RoEMEA)	Latin America Distribution (LAD)	Rest of Asia Pacific (RoAP)	Australia and New Zealand (ANZ)
<b>Return program toner cartridges</b>						
Black	70C10K0	70C20K0	70C80K0	70C80K0	70C80K0	70C80K0
Cyan	70C10C0	70C20C0	70C80C0	70C80C0	70C80C0	70C80C0
Magenta	70C10M0	70C20M0	70C80M0	70C80M0	70C80M0	70C80M0
Yellow	70C10Y0	70C20Y0	70C80Y0	70C80Y0	70C80Y0	70C80Y0
<b>High yield return program toner cartridges</b>						
Black	70C1HK0	70C2HK0	70C8HK0	70C8HK0	70C8HK0	70C8HK0
Cyan	70C1HC0	70C2HC0	70C8HC0	70C8HC0	70C8HC0	70C8HC0
Magenta	70C1HM0	70C2HM0	70C8HM0	70C8HM0	70C8HM0	70C8HM0
Yellow	70C1HY0	70C2HY0	70C8HY0	70C8HY0	70C8HY0	70C8HY0
<b>Extra high yield return program toner cartridges</b>						
Black	70C1XK0	70C2XK0	70C8XK0	70C8XK0	70C8XK0	70C8XK0
Cyan	70C1XC0	70C2XC0	70C8XC0	70C8XC0	70C8XC0	70C8XC0
Magenta	70C1XM0	70C2XM0	70C8XM0	70C8XM0	70C8XM0	70C8XM0
Yellow	70C1XY0	70C2XY0	70C8XY0	70C8XY0	70C8XY0	70C8XY0
For more information on countries located in each region, go to <a href="http://www.lexmark.com/regions">www.lexmark.com/regions</a> .						

### CS510 Regular toner cartridges

Item	Worldwide
<b>High yield regular toner cartridges</b>	
Black	70C0H10
Cyan	70C0H20
Magenta	70C0H30
Yellow	70C0H40
<b>Extra high yield regular toner cartridges</b>	
Black	70C0X10
Cyan	70C0X20
Magenta	70C0X30
Yellow	70C0X40
For more information on countries located in each region, go to <a href="http://www.lexmark.com/regions">www.lexmark.com/regions</a> .	

### CS517 Return program toner cartridges

Item	United States and Canada	European Economic Area (EEA+)	Rest of Europe, Middle East, and Africa (RoEMEA)	Latin America Distribution (LAD)	Rest of Asia Pacific (RoAP)	Australia and New Zealand (ANZ)
<b>Return program toner cartridges</b>						
Black	71B10K0	71B20K0	71B30K0	71B40K0	71B50K0	71B60K0
Cyan	71B10C0	71B20C0	71B30C0	71B40C0	71B50C0	71B60C0
Magenta	71B10M0	71B20M0	71B30M0	71B40M0	71B50M0	71B60M0
Yellow	71B10Y0	71B20Y0	71B30Y0	71B40Y0	71B50Y0	71B60Y0
<b>High yield return program toner cartridges</b>						
Black	71B1HK0	71B2HK0	71B3HK0	71B4HK0	71B5HK0	71B6HK0
Cyan	71B1HC0	71B2HC0	71B3HC0	71B4HC0	71B5HC0	71B6HC0
Magenta	71B1HM0	71B2HM0	71B3HM0	71B4HM0	71B5HM0	71B6HM0
Yellow	71B1HY0	71B2HY0	71B3HY0	71B4HY0	71B5HY0	71B6HY0
<b>Extra high yield return program toner cartridges</b>						
Black	71B1XK0	71B2XK0	71B3XK0	71B4XK0	71B5XK0	71B6XK0
For more information on countries located in each region, go to <a href="http://www.lexmark.com/regions">www.lexmark.com/regions</a> .						

### CS517 Regular toner cartridges

Item	Worldwide
Black	71B0X10
Cyan	71B0H20
Magenta	71B0H30
Yellow	71B0H40
For more information on countries located in each region, go to <a href="http://www.lexmark.com/regions">www.lexmark.com/regions</a> .	

### Ordering imaging kits

Item	All countries and regions
Black imaging kit	700Z1
Color imaging kit	700Z5

### Ordering a waste toner bottle

Item	All countries and regions
Waste toner bottle	C540X75G

## Storing supplies

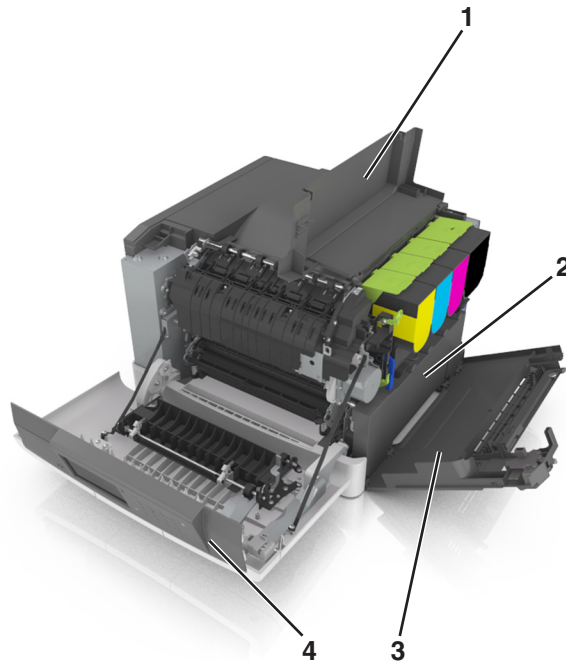
Choose a cool, clean storage area for the printer supplies. Store supplies right side up in their original packing until you are ready to use them.

Do not expose supplies to:

- Direct sunlight
- Temperatures above 35°C (95°F)
- High humidity above 80%
- Salty air
- Corrosive gases
- Heavy dust


## Replacing supplies

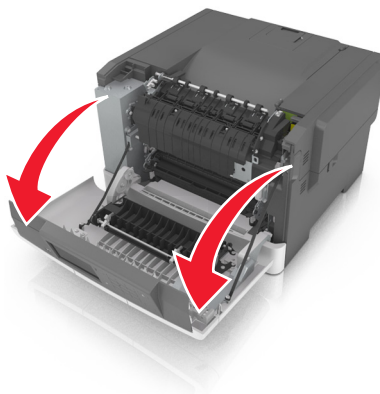
### Replacing the waste toner bottle



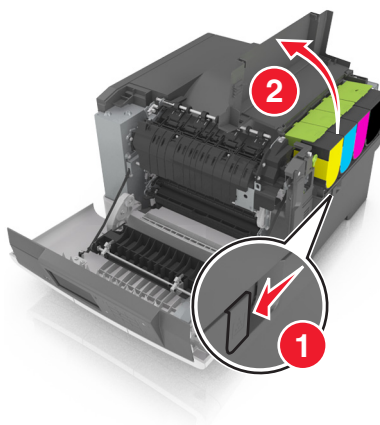
1	Top door
2	Waste toner bottle
3	Right side cover
4	Front door

- 1 Unpack the replacement waste toner bottle.
- 2 Open the front door.

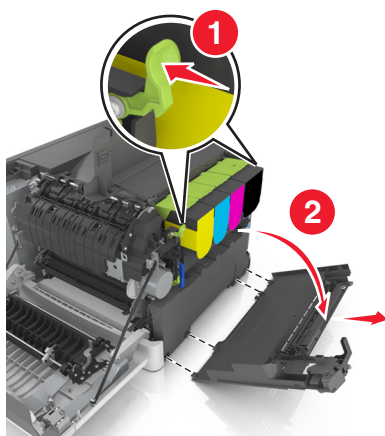
 **CAUTION—HOT SURFACE:** The inside of the printer might be hot. To reduce the risk of injury from a hot component, allow the surface to cool before touching it.



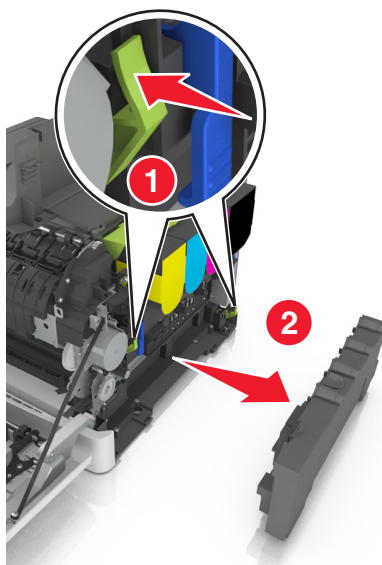
**3** Open the top door.



**4** Remove the right side cover.



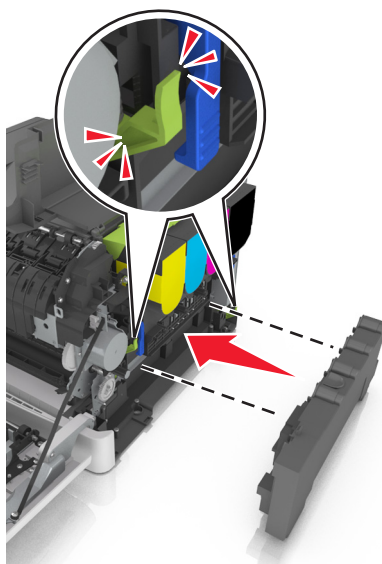
- 5** Remove the waste toner bottle.



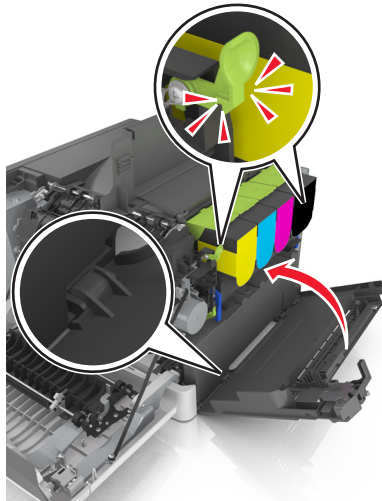
- 6** Pack the used waste toner bottle.

For more information, see [“Recycling Lexmark products” on page 122.](#)

- 7** Insert the replacement waste toner bottle.




- 8 Insert the right side cover.

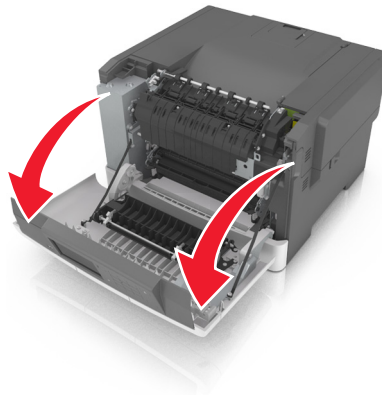


- 9 Close the top door.
- 10 Close the front door.

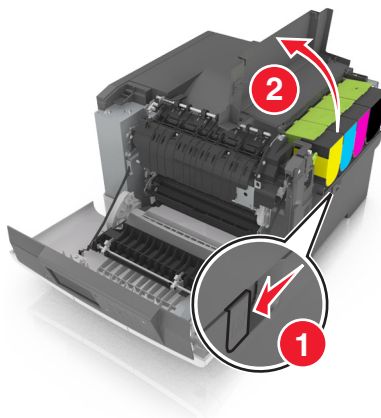
## Replacing a black and color imaging kit

- 1 Open the front door.

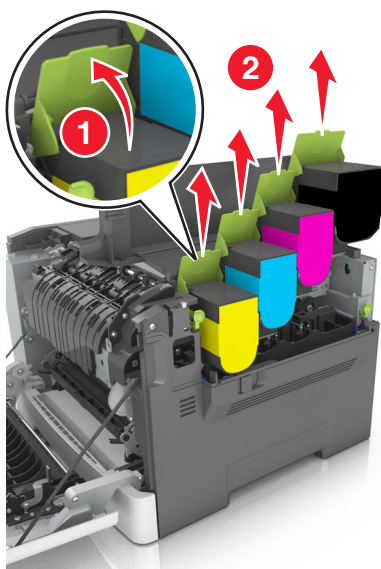
 **CAUTION—HOT SURFACE:** The inside of the printer might be hot. To reduce the risk of injury from a hot component, allow the surface to cool before touching it.



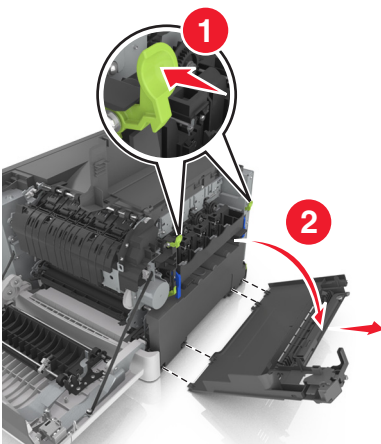
**2** Open the top door.



**3** Remove the toner cartridges.

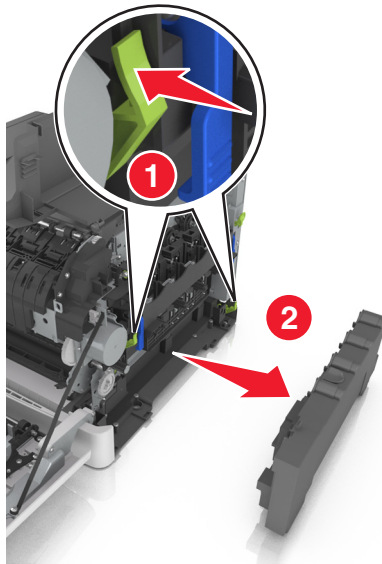


**4** Remove the right side cover.

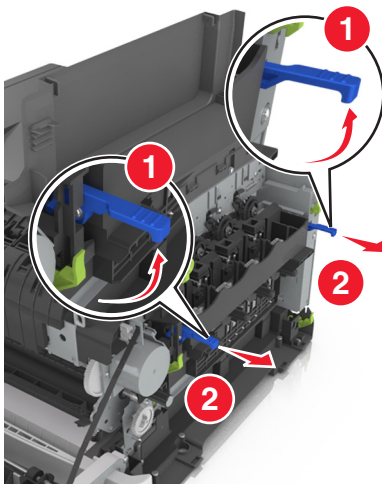




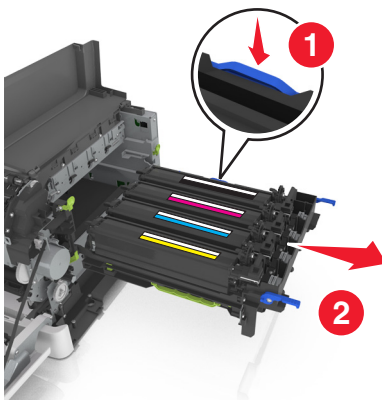
**5** Remove the waste toner bottle.



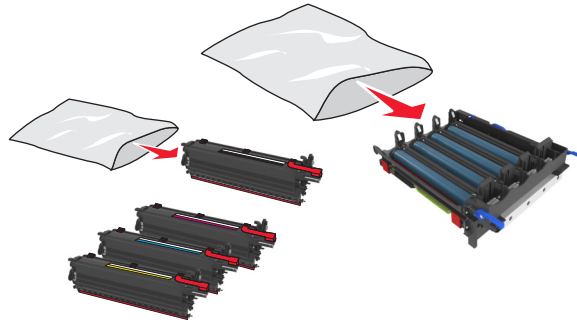
**6** Lift the blue levers on the imaging kit, and then pull the imaging kit until it stops.



**7** Press down the blue lever, and then grasp the green handles on the sides to pull out the imaging kit.



- 8 Unpack the replacement black and color imaging kit.

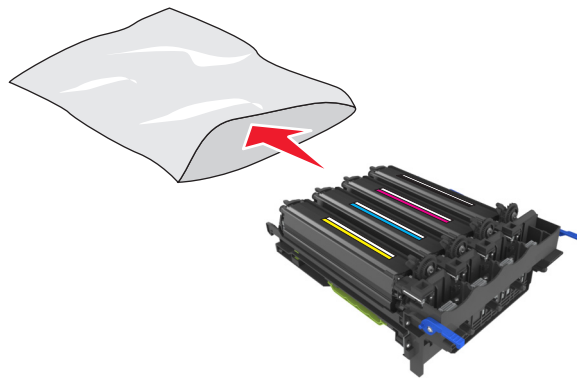


**Notes:**

- Color imaging kit includes the imaging kit and the cyan, magenta, yellow, and black developer units.
- Black imaging kit includes the imaging kit and the black developer unit.

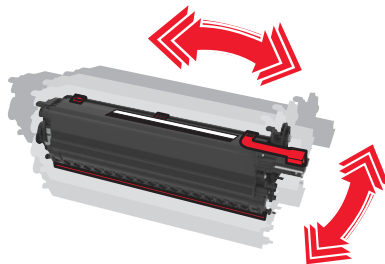
- 9 Pack the used imaging kit.

For more information, see [“Recycling Lexmark products” on page 122](#).

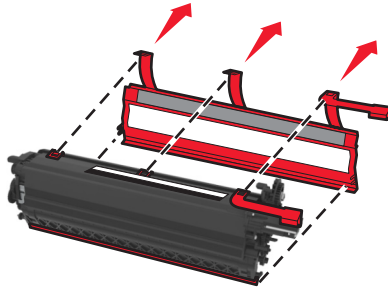


**Note:** When replacing the black imaging kit, save the cyan, magenta, and yellow developer units. Dispose only the black developer unit.

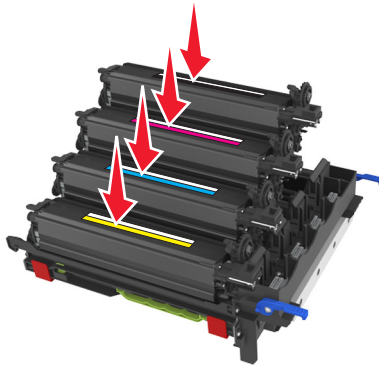
- 10 Gently shake the yellow, cyan, magenta, and black developer units side-to-side.



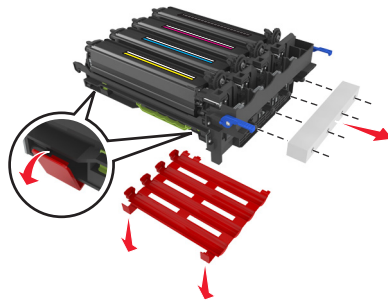
**11** Remove the red packing strip and the attached fabric from the developer units.



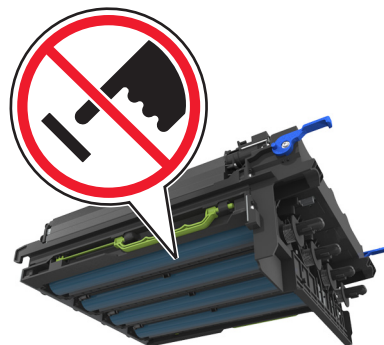
**12** Insert the yellow, cyan, magenta, and black developer units into the matching color slots.



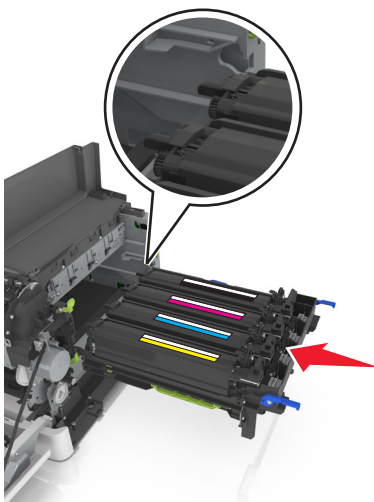
**13** Remove the red packing strip from the imaging kit.



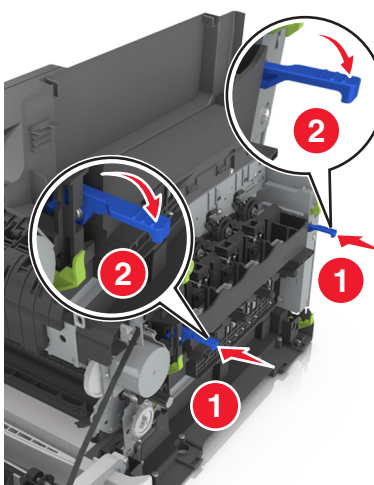
**Warning—Potential Damage:** Do not touch the shiny photoconductor drum under the imaging kit. Doing so may affect the quality of future print jobs.



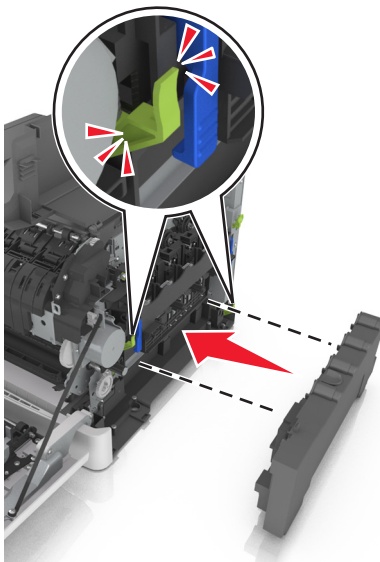
**14** Align, and then insert the imaging kit.



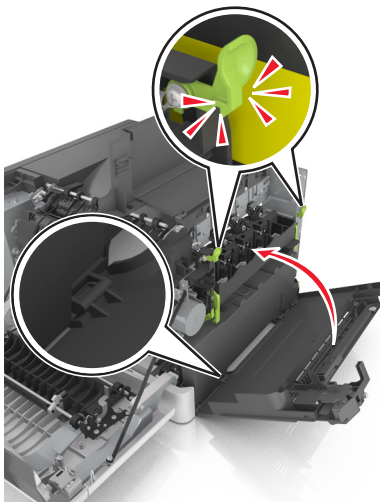
**15** Push the blue levers down until the imaging kit is fully seated into place.



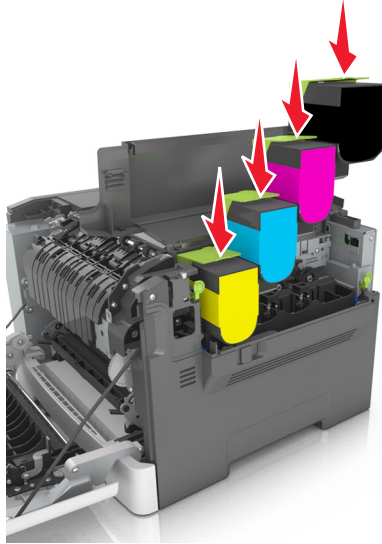
**16** Insert the waste toner bottle.



**17** Insert the right side cover.



**18** Insert the toner cartridges.



**19** Close the top door.

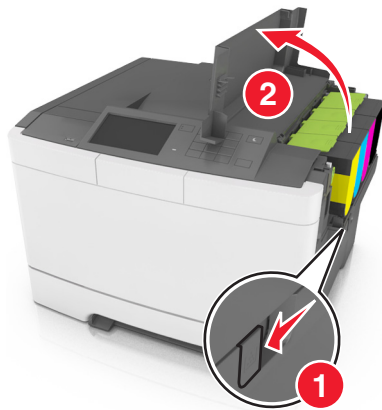
**20** Close the front door.

## Replacing toner cartridges

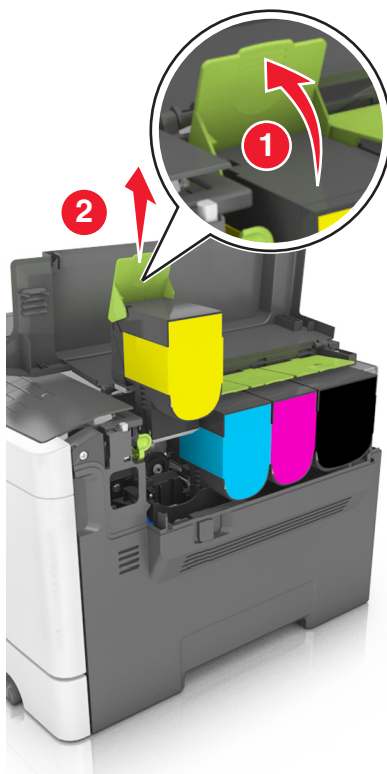
**Warning—Potential Damage:** Damage caused by use of a non-Lexmark toner cartridge is not covered under warranty.

**Note:** Reduced print quality may result from using non-Lexmark toner cartridges.

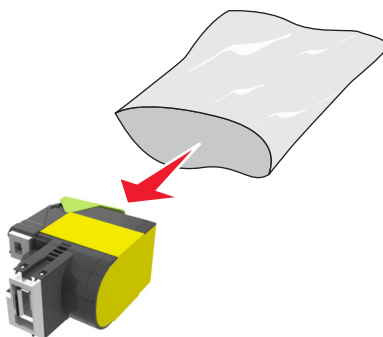
**1** Slide the release latch on the right side of the printer, and then open the top door.



**2** Remove the toner cartridge by lifting the handle, and then gently pulling it away from the imaging kit.



**3** Unpack the new toner cartridge, and then remove its packaging.



- 4 Align the new toner cartridge, and then press the cartridge down until it fits into place.



- 5 Close the top door.



- 6 Seal the used toner cartridge in the bag that the replacement toner cartridge came in before disposing. For more information, see [“Recycling Lexmark products” on page 122](#).

## Replacing a developer unit

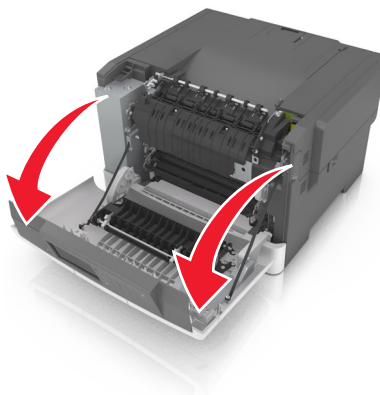
Replace the developer unit when a print quality defect occurs or when damage occurs to the printer.

- 1 Open the front door.

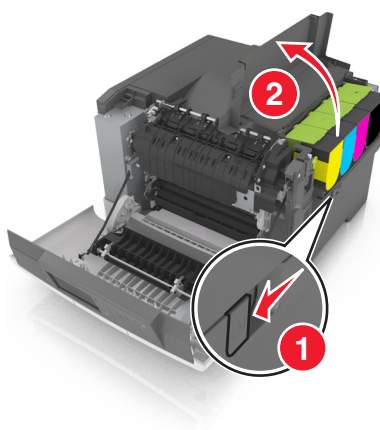


**CAUTION—HOT SURFACE:** The inside of the printer might be hot. To reduce the risk of injury from a hot component, allow the surface to cool before touching it.

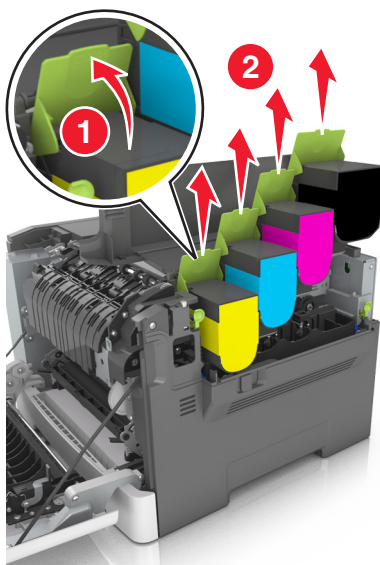




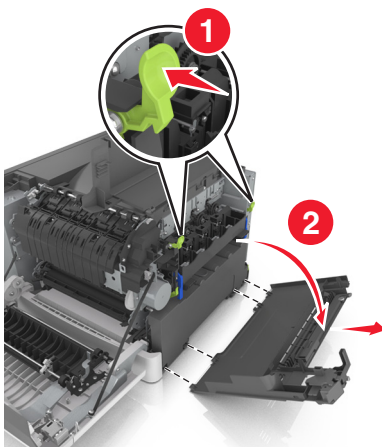
**2** Open the top door.



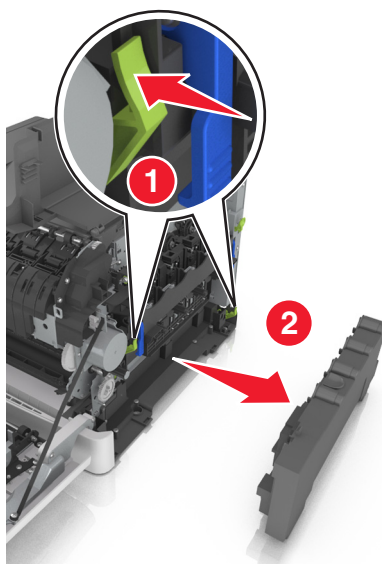
**3** Remove the toner cartridges.



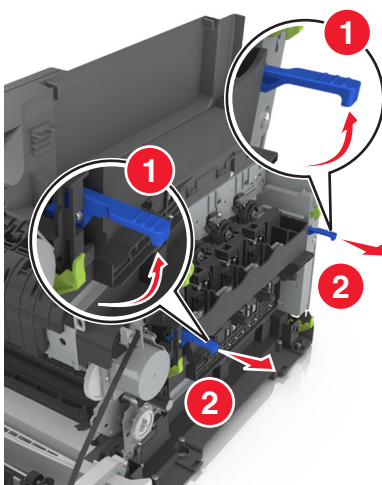
4 Remove the right side cover.



5 Remove the waste toner bottle.

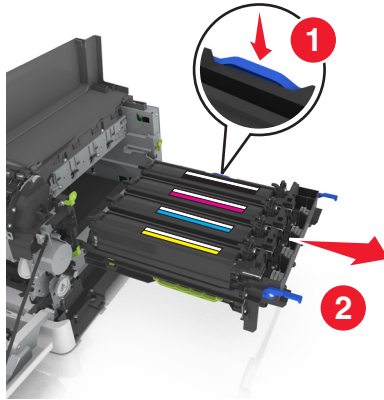


6 Lift the blue levers on the imaging kit, and then pull the imaging kit until it stops.

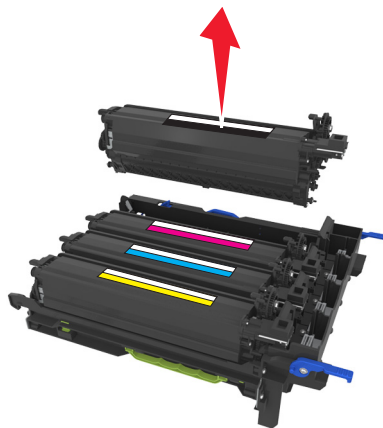


7 Press down the blue lever, and then grasp the green handles on the sides to pull out the imaging kit.

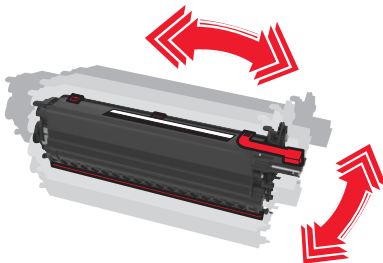
**Warning—Potential Damage:** Do not touch the underside of the imaging kit. This could damage the imaging kit.



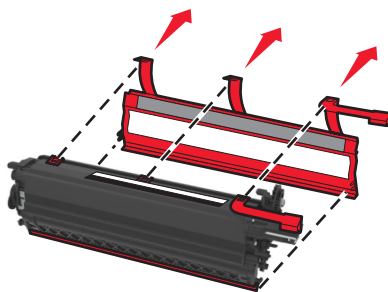
8 Remove the used developer unit.



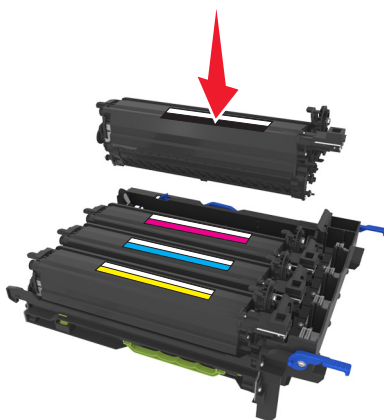
9 Gently shake the replacement developer unit side-to-side before removing it from its packaging.



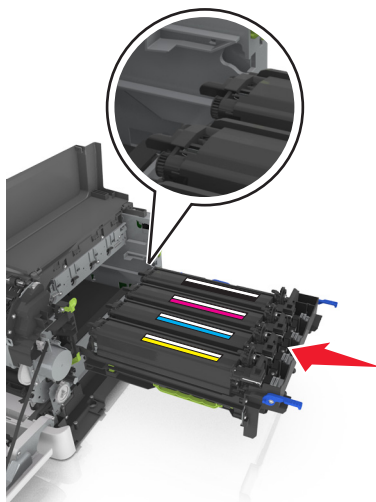
**10** Remove the red shipping cover from the developer unit.



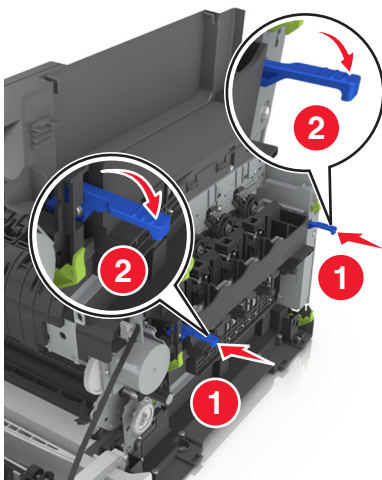
**11** Insert the developer unit.



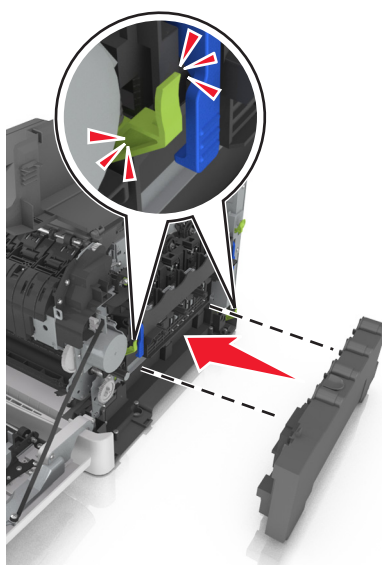
**12** Align, and then insert the imaging kit.



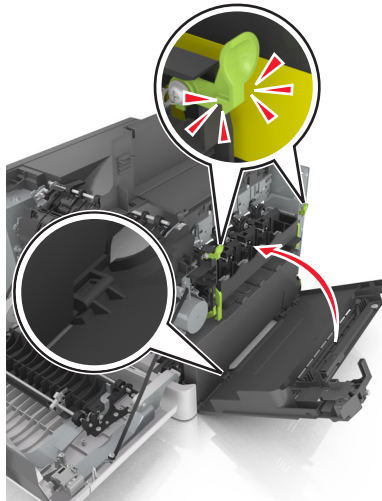
**13** Push the blue levers down until the imaging kit is fully seated into place.



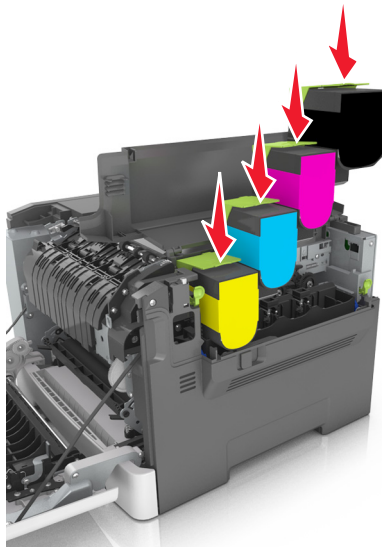
**14** Insert the waste toner bottle.



- 15** Insert the right side cover.



- 16** Insert the toner cartridges.



- 17** Close the top door.


- 18** Close the front door.


- 19** Pack the used developer unit in the bag that the replacement developer unit came in before disposing.  
For more information, see [“Recycling Lexmark products” on page 122.](#)

## Moving the printer

### Moving the printer to another location

- ⚠ CAUTION—POTENTIAL INJURY:** The printer weight is greater than 18 kg (40 lb) and requires two or more trained personnel to lift it safely.

 **CAUTION—POTENTIAL INJURY:** To avoid the risk of fire or electrical shock, use only the power cord provided with this product or the manufacturer's authorized replacement.

 **CAUTION—POTENTIAL INJURY:** When moving the printer, follow these guidelines to avoid personal injury or printer damage:

- Make sure that all doors and trays are closed.
- Turn off the printer, and then unplug the power cord from the electrical outlet.
- Disconnect all cords and cables from the printer.
- If the printer has a caster base, then carefully roll it to the new location. Use caution when passing over thresholds and breaks in flooring.
- If the printer does not have a caster base but is configured with optional trays, then lift the printer off the trays. Do not try to lift the printer and the trays at the same time.
- Always use the handholds on the printer to lift it.
- Any cart used to move the printer must have a surface able to support the full footprint of the printer.
- Any cart used to move the hardware options must have a surface able to support the dimensions of the options.
- Keep the printer in an upright position.
- Avoid severe jarring movements.
- Make sure that your fingers are not under the printer when you set it down.
- Make sure that there is adequate clearance around the printer.

**Note:** Damage to the printer caused by improper moving is not covered by the printer warranty.

## Shipping the printer

When shipping the printer, use the original packaging.

# Managing the printer

## Finding advanced networking and administrator information

This chapter covers basic administrative support tasks using the Embedded Web Server. For more advanced system support tasks, see the *Networking Guide* on the *Software and Documentation CD* or the *Embedded Web Server — Security: Administrator's Guide* on the Lexmark support Web site at <http://support.lexmark.com>.

## Checking the virtual display

- 1 Open a Web browser, and then type the printer IP address in the address field.

**Notes:**

- View the printer IP address in the TCP/IP section in the Network/Ports menu. The IP address appears as four sets of numbers separated by periods, such as 123.123.123.123.
- If you are using a proxy server, then temporarily disable it to load the Web page correctly.

- 2 Check the virtual display that appears at the top left corner of the screen.

The virtual display works as an actual display would work on a printer control panel.

## Checking the printer status

You can view paper tray settings, the level of toner in the toner cartridges, the percentage of life remaining in the maintenance kit, and capacity measurements of certain printer parts from the Device Status page of the Embedded Web Server.

- 1 Type the printer IP address in the address field of your Web browser.

**Note:** If you do not know the IP address of the printer, then you can:

- View the IP address on the printer control panel in the TCP/IP section under the Networks/Ports menu.
- Print a network setup page or the menu settings pages and locate the IP address in the TCP/IP section.

- 2 Click **Device Status**.

## Viewing reports

You can view some reports from the Embedded Web Server. These reports are useful for assessing the status of the printer, network, and supplies.

- 1 Open a Web browser, and then type the printer IP address in the address field.

**Notes:**

- View the printer IP address in the TCP/IP section in the Network/Ports menu. The IP address appears as four sets of numbers separated by periods, such as 123.123.123.123.



- If you are using a proxy server, then temporarily disable it to load the Web page correctly.

2 Click **Reports**, and then click the type of report you want to view.

## Configuring supply notifications from the Embedded Web Server

You can determine how you would like to be notified when supplies run nearly low, low, very low, or reach their end-of-life by setting the selectable alerts.

**Notes:**

- You can select alerts for toner cartridges, imaging kit, maintenance kit, and waste toner bottle.
- All alerts can be set for nearly low, low, and very low supply conditions. Not all alerts can be set for the end-of-life supply condition. E-mail alert is available for all supply conditions.
- The percentage of estimated remaining supply that prompts the alert can be set on some supplies for some supply conditions.

1 Open a Web browser, and then type the printer IP address in the address field.

**Notes:**

- View the printer IP address in the TCP/IP section in the Network/Ports menu. The IP address appears as four sets of numbers separated by periods, such as 123.123.123.123.
- If you are using a proxy server, then temporarily disable it to load the Web page correctly.

2 Click **Settings > Print Settings > Supply Notifications**.

3 From the drop-down menu for each supply, select one of the following notification options:

Notification	Description
Off	The normal printer behavior for all supplies occurs.
E-mail Only	The printer generates an e-mail when the supply condition is reached. The status of the supply appears on the menu page and status page.
Warning	The printer shows the warning message and generates an email about the status of the supply. The printer does not stop when the supply condition is reached.
Continuable Stop <sup>1</sup>	The printer stops processing jobs when the supply condition is reached. The user needs to press a button to continue printing.
Non Continuable Stop <sup>1,2</sup>	The printer stops when the supply condition is reached. The supply must be replaced to continue printing.
<sup>1</sup> The printer generates an e-mail about the status of the supply when supply notification is enabled. <sup>2</sup> The printer stops when some supplies become empty to prevent damage.	

4 Click **Submit**.

## Modifying confidential print settings

**Note:** This feature is available only in network printers or printers connected to print servers.

1 Open a Web browser, and then type the printer IP address in the address field.

**Notes:**

- View the printer IP address in the TCP/IP section in the Network/Ports menu. The IP address appears as four sets of numbers separated by periods, such as 123.123.123.123.
- If you are using a proxy server, then temporarily disable it to load the Web page correctly.

**2** Click **Settings** tab > **Security** > **Confidential Print Setup**.

**3** Modify the settings:

- Set a maximum number of PIN entry attempts. When a user exceeds a specific number of PIN entry attempts, all of the jobs for that user are deleted.
- Set an expiration time for confidential print jobs. When a user has not printed the jobs within the specified time, all of the jobs for that user are deleted.

**4** Save the modified settings.

## Copying printer settings to other printers

**Note:** This feature is available only in network printers.

**1** Open a Web browser, and then type the printer IP address in the address field.

**Notes:**

- View the printer IP address in the TCP/IP section in the Network/Ports menu. The IP address appears as four sets of numbers separated by periods, such as 123.123.123.123.
- If you are using a proxy server, then temporarily disable it to load the Web page correctly.

**2** Click the **Copy Printer Settings**.

**3** To change the language, select a language from the drop-down menu, and then click **Click here to submit language**.

**4** Click **Printer Settings**.

**5** Type the IP addresses of the source and target printers in their appropriate fields.

**Note:** If you want to add or remove a target printer, then click **Add Target IP** or **Remove Target IP**.

**6** Click **Copy Printer Settings**.

## Restoring factory default settings

If you want to keep a list of the current menu settings for reference, then print a menu settings page before restoring the factory default settings. For more information, see [“Printing a menu settings page” on page 41](#).

If you want a more comprehensive method of restoring the printer factory default settings, then perform the Wipe All Settings option. For more information, see [“Erasing non-volatile memory” on page 125](#).

**Warning—Potential Damage:** Restoring factory defaults returns most printer settings to the original factory default settings. Exceptions include the display language, custom sizes and messages, and network/port menu settings. All downloads stored in the RAM are deleted. Downloads stored in the flash memory or in a printer hard disk are not affected.

From the home screen, navigate to:

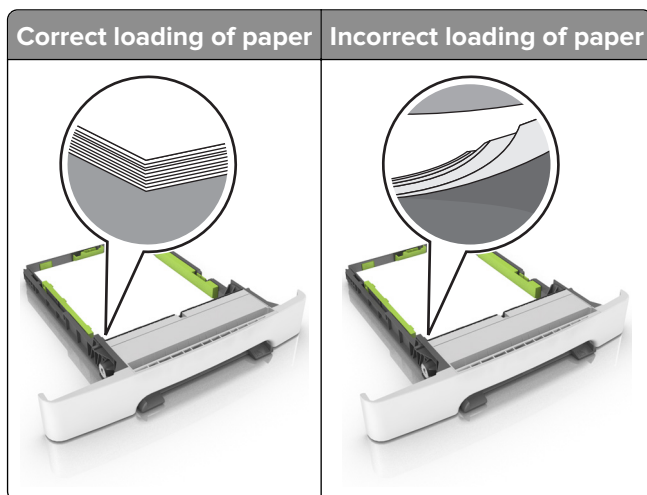
 > **Settings** > **General Settings** > **Factory Defaults** > **Restore Now** > 

# Clearing jams

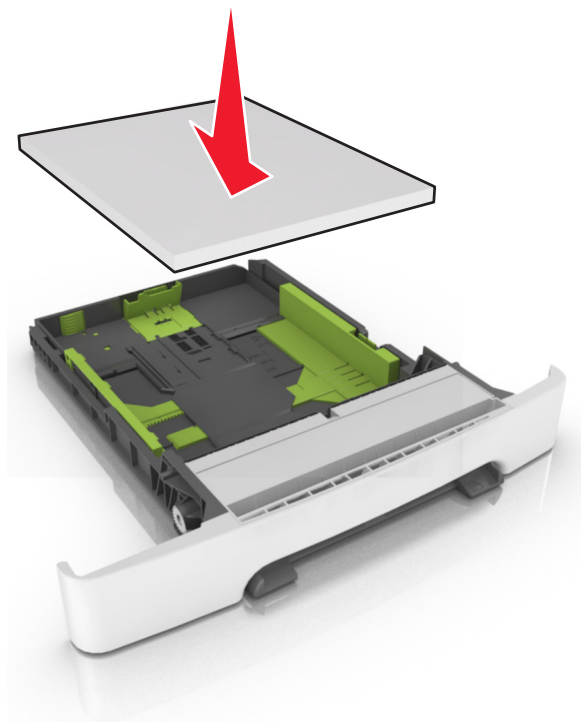
## Avoiding jams

### Load paper properly

- Make sure that the paper lies flat in the tray.



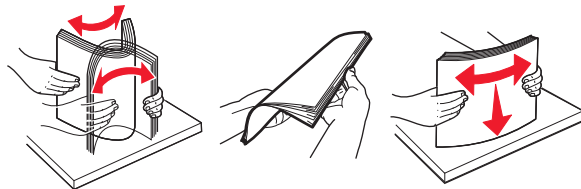
- Do not load or remove a tray while the printer is printing.
- Do not load too much paper. Make sure that the stack height is below the maximum paper fill indicator.
- Do not slide paper into the tray. Load paper as shown in the illustration.



- Make sure that the paper guides are positioned correctly and are not pressing tightly against the paper or envelopes.
- Push the tray firmly into the printer after loading paper.

**Use recommended paper**

- Use only recommended paper or specialty media.
- Do not load paper that is wrinkled, creased, damp, bent, or curled.
- Flex, fan, and align the paper edges before loading.

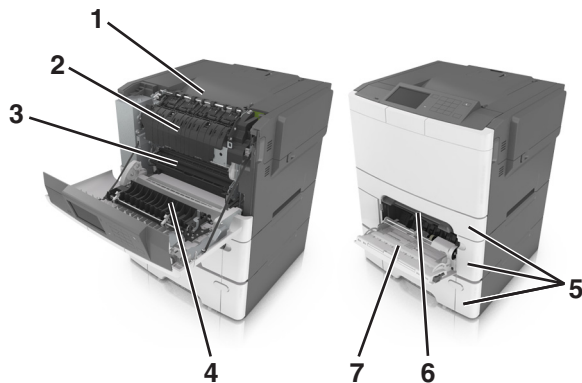


- Do not use paper that has been cut or trimmed by hand.
- Do not mix paper sizes, weights, or types in the same tray.
- Make sure that the paper size and type are set correctly on the computer or printer control panel.
- Store paper according to manufacturer recommendations.

**Identifying jam locations**

**Notes:**

- When Jam Assist is set to On, the printer flushes blank pages or pages with partial prints after a jammed page has been cleared. Check your printed output for blank pages.
- When Jam Recovery is set to On or Auto, the printer reprints jammed pages.



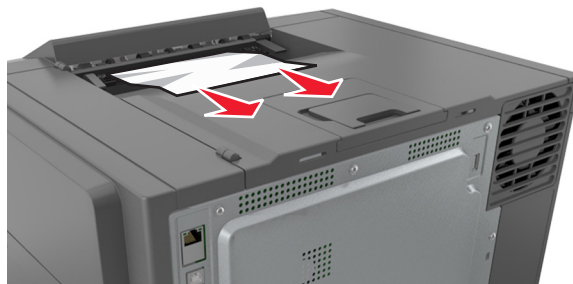
	Jam location
1	Standard bin
2	In the fuser
3	Below the fuser
4	Duplex unit
5	Trays

	Jam location
6	Manual feeder
7	Multipurpose feeder <b>Note:</b> The multipurpose feeder is available only in some printer models.

## Paper jam in the standard bin

Remove the jammed paper.


**Note:** Make sure that all paper fragments are removed.

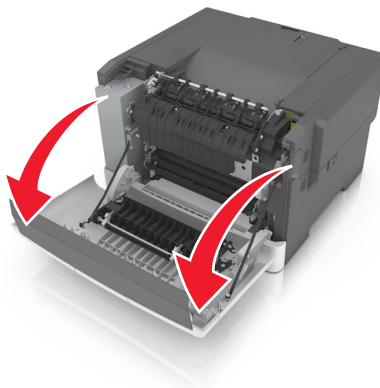


## Paper jam in the front door

### Paper jam in the fuser

1 Open the front door.

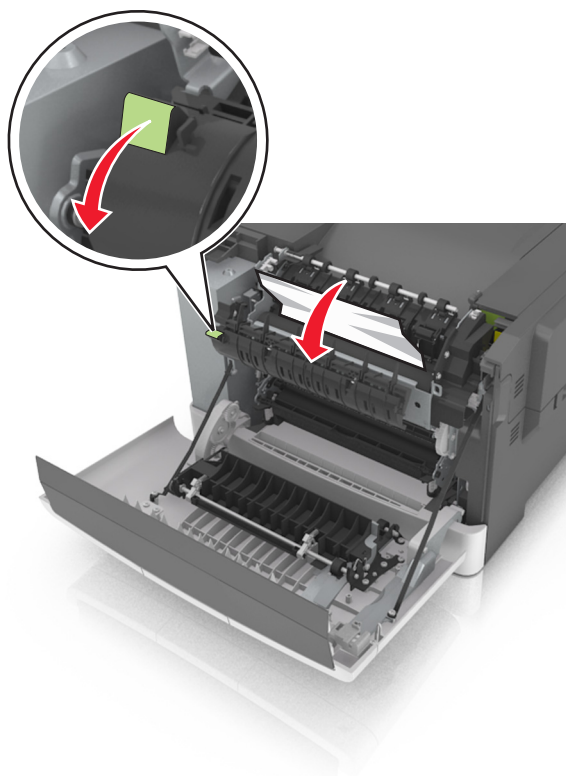
 **CAUTION—HOT SURFACE:** The inside of the printer might be hot. To reduce the risk of injury from a hot component, allow the surface to cool before touching it.



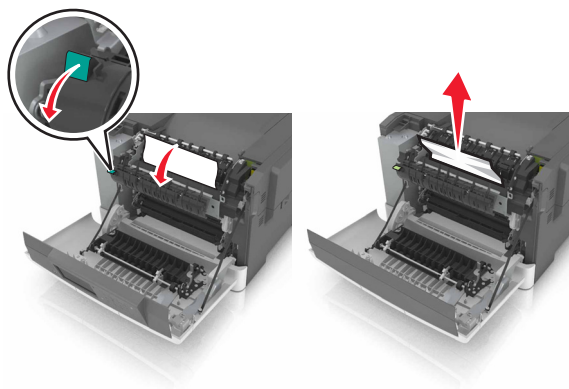
2 Remove the jammed paper.

**Note:** Make sure that all paper fragments are removed.

- Below the fuser



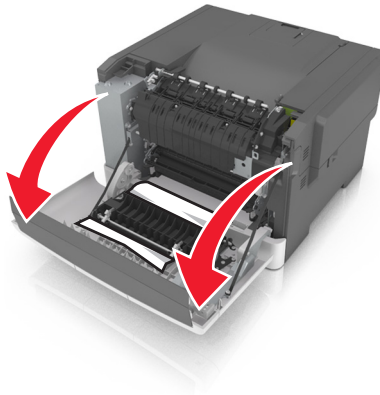
- In the fuser access door



**3** Close the front door.

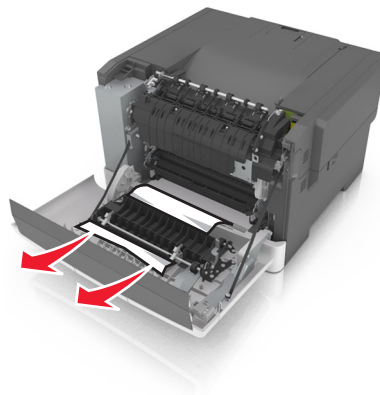
## Paper jam in the duplex unit

- 1 Open the front door.



- 2 Remove the jammed paper.

**Note:** Make sure that all paper fragments are removed.



- 3 Close the front door.

## Paper jam in trays

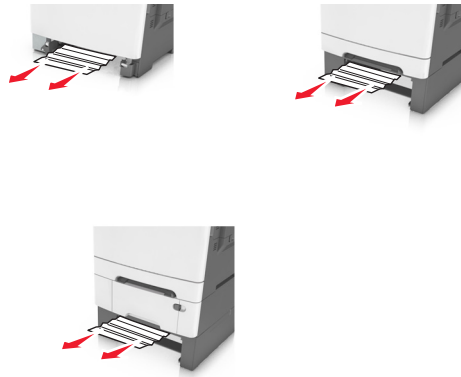
- 1 Pull out the tray.





- 2 Remove the jammed paper.

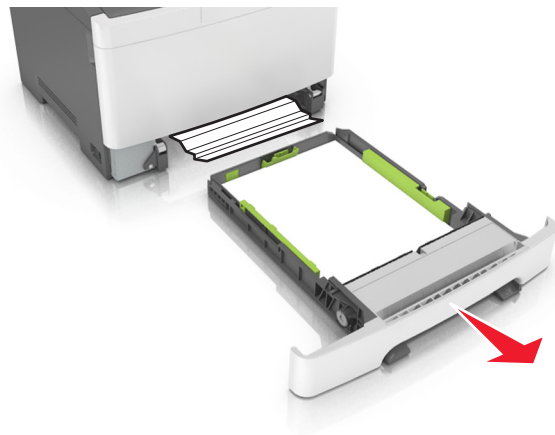
**Note:** Make sure that all paper fragments are removed.



- 3 Insert the tray.

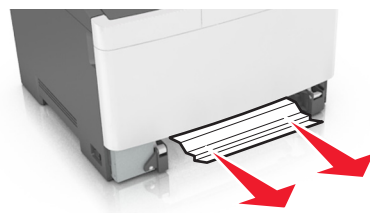
## Paper jam in the manual feeder

- 1 Remove the tray.



- 2 Remove the jammed paper.

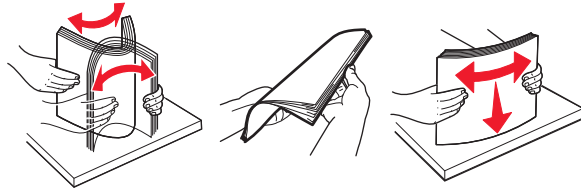
**Note:** Make sure that all paper fragments are removed.



- 3 Insert the tray.

## Paper jam in the multipurpose feeder

- 1 Remove paper from the multipurpose feeder.
- 2 Remove the jammed paper.  
**Note:** Make sure that all paper fragments are removed.
- 3 Flex, fan, and align the paper edges before loading.



- 4 Reload paper.



# Troubleshooting

## Understanding the printer messages

### Adjusting color

Wait for the process to complete.

### Change [paper source] to [custom type name]

Try one or more of the following:

- Load the correct size and type of paper in the tray, and then select **Finished changing paper** on the printer control panel to clear the message and continue printing. For non-touch-screen printer models, press **OK** to confirm.

**Note:** Make sure the paper size and type are specified in the Paper menu on the printer control panel.

- Cancel the print job.

### Change [paper source] to [custom string]

Try one or more of the following:

- Load the correct size and type of paper in the tray, and then select **Finished changing paper** on the printer control panel to clear the message and continue printing. For non-touch-screen printer models, press **OK** to confirm.

**Note:** Make sure the paper size and type are specified in the Paper menu on the printer control panel.

- Cancel the print job.

### Change [paper source] to [paper type] [paper size]

Try one or more of the following:

- Load the correct size and type of paper in the tray, and then select **Finished changing paper** on the printer control panel to clear the message and continue printing. For non-touch-screen printer models, press **OK** to confirm.

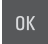
**Note:** Make sure the paper size and type are specified in the Paper menu on the printer control panel.

- Cancel the print job.


### Close door

Make sure the right side cover is installed, and then close the front and top doors to clear the message.

### [Color] cartridge low [88.xy]


You may need to order a toner cartridge. If necessary, select **Continue** to clear the message and continue printing. For non-touch-screen printer models, press  to confirm.

### [Color] cartridge nearly low [88.xy]

If necessary, select **Continue** on the printer control panel to clear the message and continue printing. For non-touch-screen printer models, press  to confirm.

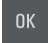
### [Color] cartridge very low, [x] estimated pages remain [88.xy]

You may need to replace the toner cartridge very soon. For more information, see the “Replacing supplies” section of the *User’s Guide*.

If necessary, select **Continue** on the printer control panel to clear the message and continue printing. For non-touch-screen printer models, press  to confirm.

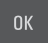
### [Type] imaging kit low [84.xy]

**Note:** The type can be a black imaging kit, or a black and color imaging kit.

You may need to order an imaging kit. If necessary, select **Continue** on the printer control panel to clear the message and continue printing. For non-touch-screen printer models, press  to confirm.

### [Type] imaging kit nearly low [84.xy]

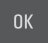
**Note:** The type can be a black imaging kit, or a black and color imaging kit.

If necessary, select **Continue** on the printer control panel to clear the message and continue printing. For non-touch-screen printer models, press  to confirm.

### [Type] imaging kit very low, [x] estimated pages remain [84.xy]

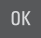
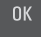
**Note:** The type can be a black imaging kit, or a black and color imaging kit.

You may need to replace the imaging kit very soon. For more information, see the “Replacing supplies” section of the *User’s Guide*.

If necessary, select **Continue** on the printer control panel to clear the message and continue printing. For non-touch-screen printer models, press  to confirm.

## Complex page, some data may not have printed [39]


Try one or more of the following:

- From the printer control panel, select **Continue** to ignore the message and continue printing. For non-touch-screen printer models, press  to confirm.
- Cancel the current print job. For non-touch-screen printer models, press  to confirm.
- Install additional printer memory.

## Configuration change, some held jobs were not restored [57]

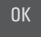
Held jobs are invalidated because of any of the following possible changes in the printer:

- The printer firmware has been updated.
- The tray for the print job is removed.
- The print job is sent from a flash drive that is no longer attached to the USB port.
- The printer hard disk contains print jobs that were stored when the hard disk was installed in a different printer model.

From the printer control panel, select **Continue** to clear the message. For non-touch-screen printer models, press  to confirm.

## Defective flash detected [51]

Try one or more of the following:

- Replace the defective flash memory card.
- From the printer control panel, select **Continue** to ignore the message and continue printing. For non-touch-screen printer models, press  to confirm.
- Cancel the current print job.

## Error reading USB drive. Remove USB.

An unsupported USB device is inserted. Remove the USB device, and then insert a supported one.

## Error reading USB hub. Remove hub.

An unsupported USB hub has been inserted. Remove the USB hub, and then install a supported one.

## Incompatible tray [x] [59]

Remove, and then reinstall the indicated tray to clear the message.

## Incorrect paper size, open [paper source] [34]

**Note:** The paper source can be a tray or a feeder.

Try one or more of the following:

- Load the correct size of paper in the paper source.
- From the printer control panel, select **Continue** to clear the message and print using a different paper source. For non-touch-screen printer models, press **OK** to confirm.
- Check the length and width guides of the paper source and make sure the paper is loaded properly.
- Make sure the correct paper size and type are specified in the Printing Preferences or in the Print dialog.
- Make sure the paper size and type are specified in the Paper menu on the printer control panel.
- Make sure that the paper size is correctly set. For example, if Multipurpose Feeder Size is set to Universal, then make sure the paper is large enough for the data being printed.
- Cancel the print job.

## Insert Tray [x]

Insert the indicated tray into the printer.

## Insufficient memory, some Held Jobs were deleted [37]

The printer deleted some held jobs in order to process current jobs.

Select **Continue** to clear the message. For non-touch-screen printer models, press **OK** to confirm.

## Insufficient memory to collate job [37]

Try one or more of the following:

- From the printer control panel, select **Continue** to print the part of the job already stored and begin collating the rest of the print job. For non-touch-screen printer models, press **OK** to confirm.
- Cancel the current print job.

## Insufficient memory to support Resource Save feature [35]

Install additional printer memory or select **Continue** on the printer control panel to disable Resource Save, clear the message, and continue printing. For non-touch-screen printer models, press **OK** to confirm.


## Insufficient memory, some held jobs will not be restored [37]

Try one or more of the following:

- From the printer control panel, select **Continue** to clear the message. For non-touch-screen printer models, press **OK** to confirm.
- Delete other held jobs to free up additional printer memory.

## Load [paper source] with [custom type name]

Try one or more of the following:


- Load the tray or feeder with the correct size and type of paper.
- To use the tray with the correct paper size or type, select **Finished loading paper** on the printer control panel. For non-touch-screen printer models, press  to confirm.

**Note:** If the printer detects a tray that has the correct paper type and size, then it feeds from that tray. If the printer cannot detect a tray that has the correct paper type and size, then it prints from the default paper source.

- Cancel the current job.

## Load [paper source] with [custom string]

Try one or more of the following:


- Load the indicated tray or feeder with the correct size and type of paper.
- To use the tray with the correct paper size or type, select **Finished loading paper** on the printer control panel. For non-touch-screen printer models, press  to confirm.

**Note:** If the printer finds a tray that has the correct paper type and size, then it feeds from that tray. If the printer cannot find a tray with the correct paper type and size, then it prints from the default paper source.

- Cancel the current job.

## Load [paper source] with [paper size]

Try one or more of the following:


- Load the tray or feeder with the correct size of paper.
- To use the tray or feeder with the correct paper size, select **Finished loading paper** on the printer control panel. For non-touch-screen printer models, press  to confirm.

**Note:** If the printer detects a tray that has the correct paper size, then it feeds from that tray. If the printer cannot detect a tray that has the correct paper size, then it prints from the default paper source.

- Cancel the current job.

## Load [paper source] with [paper type] [paper size]

Try one or more of the following:


- Load the tray or feeder with the correct size and type of paper.
- To use the tray or feeder with the correct paper size and type, select **Finished loading paper** on the printer control panel. For non-touch-screen printer models, press  to confirm.

**Note:** If the printer detects a tray that has the correct paper size and type, then it feeds from that tray. If the printer cannot detect a tray that has the correct paper size and type, then it prints from the default paper source.

- Cancel the current job.

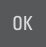
## Load Manual Feeder with [custom string]

Try one or more of the following:

- Load the feeder with the correct size and type of paper.
- Depending on your printer model, touch **Prompt each page, paper loaded** or press  on the printer control panel to clear the message and continue printing.
- Cancel the current job.


## Load Manual Feeder with [custom type name]

Try one or more of the following:

- Load the feeder with the correct size and type of paper.
- Depending on your printer model, touch **Prompt each page, paper loaded** or press  on the printer control panel to clear the message and continue printing.
- Cancel the current job.


## Load Manual Feeder with [paper size]

Try one or more of the following:

- Load the feeder with the correct size of paper.
- Depending on your printer model, touch **Prompt each page, paper loaded** or press  on the printer control panel to clear the message and continue printing.
- Cancel the current job.


## Load Manual Feeder with [paper type] [paper size]

Try one or more of the following:

- Load the feeder with the correct size and type of paper.
- Depending on your printer model, touch **Prompt each page, paper loaded** or press  on the printer control panel to clear the message and continue printing.
- Cancel the current job.

## Maintenance kit low [80.xy]


You may need to order a maintenance kit. For more information, visit the Lexmark support Web site at <http://support.lexmark.com> or contact customer support, and then report the message.

If necessary, select **Continue** to clear the message and continue printing. For non-touch-screen printer models, press  to confirm.

## Maintenance kit nearly low [80.xy]

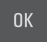
For more information, visit the Lexmark support Web site at <http://support.lexmark.com> or contact customer support, and then report the message.



If necessary, select **Continue** to clear the message and continue printing. For non-touch-screen printer models, press  to confirm.

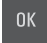
## Maintenance kit very low [80.xy]

You may need to replace the maintenance kit very soon. For more information, go to the Lexmark support Web site at <http://support.lexmark.com> or contact customer support, and then report the message.

If necessary, select **Continue** on the printer control panel to clear the message and continue printing. For non-touch-screen printer models, press  to confirm.


## Memory full [38]

Try one or more of the following:

- From the printer control panel, select **Cancel job** to clear the message. For non-touch-screen printer models, press  to confirm.
- Install additional printer memory.


## Network [x] software error [54]

Try one or more of the following:

- From the printer control panel, select **Continue** to continue printing. For non-touch-screen printer models, press  to confirm.
- Turn off the printer, wait for about 10 seconds, and then turn the printer back on.
- Update the network firmware in the printer or print server. For more information, visit the Lexmark support Web site at <http://support.lexmark.com>.

## Not enough free space in flash memory for resources [52]

Try one or more of the following:

- From the printer control panel, select **Continue** to clear the message and continue printing. For non-touch-screen printer models, press  to confirm.
- Delete fonts, macros, and other data stored in the flash memory.
- Upgrade to a larger capacity flash memory card.

**Note:** Downloaded fonts and macros that are not previously stored in the flash memory are deleted.

## Non-Lexmark [supply type], see User's Guide [33.xy]


**Note:** The supply type can be a toner cartridge or the imaging kit.

The printer has detected a non-Lexmark supply or part installed in the printer.

Your Lexmark printer is designed to function best with genuine Lexmark supplies and parts. Use of third-party supplies or parts may affect the performance, reliability, or life of the printer and its imaging components. For more information, see [“Using genuine Lexmark parts and supplies” on page 129](#).

All life indicators are designed to function with Lexmark supplies and parts, and may deliver unpredictable results if third-party supplies or parts are used. Imaging component usage beyond the intended life may damage your Lexmark printer or its associated components.

**Warning—Potential Damage:** Use of third-party supplies or parts can affect warranty coverage. Damage caused by the use of third-party supplies or parts may not be covered by the warranty.

To accept any and all of these risks, and to proceed with the use of non-genuine supplies or parts in your printer, press and hold  and the # button on the control panel simultaneously for 15 seconds.

If you do not want to accept these risks, then remove the third-party supply or part from your printer and install a genuine Lexmark supply or part.

**Note:** For the list of supported supplies, see the “Ordering supplies” section or go to [www.lexmark.com](http://www.lexmark.com).

## Printer had to restart. Last job may be incomplete.

From the printer control panel, touch **Continue** to clear the message and continue printing.

For more information, visit <http://support.lexmark.com> or contact customer support.

## Reinstall missing or unresponsive [color] cartridge [31.xy]

Try one or more of the following:

- Install the missing toner cartridge. For more information, see the “Replacing supplies” section of the *User’s Guide*.
- Remove the unresponsive cartridge, and then reinstall it.

**Note:** If the message appears after reinstalling the supply, then the cartridge may be defective. Replace the cartridge.

## Reinstall missing or unresponsive black and color imaging kit and all cartridges [31.xy]


Try one or more of the following:

- Check if the imaging kit is missing. If missing, then install the imaging kit.  
For information on installing the imaging kit, see the “Replacing supplies” section.
- If the imaging kit is installed, then remove and reinstall the unresponsive imaging kit.

**Note:** If the message appears after reinstalling the supply, then replace the imaging kit. The imaging kit may be defective or a non-genuine Lexmark supply. For more information, see [“Using genuine Lexmark parts and supplies” on page 129](#).

## Reload printed pages in Tray [x]


Try any of the following:

- From the printer control panel, select **Continue** to clear the message and continue printing the second side of the sheet. For non-touch-screen printer models, press  to confirm.
- Cancel the print job.

## Remove defective disk [61]

Remove and replace the defective printer hard disk.

## Remove packaging material, [area name]

- 1 Remove any remaining packing material from the indicated location.
- 2 From the printer control panel, touch **Continue** to clear the message. For non-touch-screen printer models, press  to confirm.

## Remove paper from standard output bin

Remove the paper stack from the standard bin.

## Replace [type] imaging kit, 0 estimated pages remain [84.xy]

**Note:** The type can be a black imaging kit, or a black and color imaging kit.

Replace the indicated imaging kit to clear the message and continue printing. For more information, see the instruction sheet that came with the supply.

**Note:** If you do not have a replacement imaging kit, then see the “Ordering supplies” section of the *User’s Guide* or visit [www.lexmark.com](http://www.lexmark.com).

## Replace defective [color] cartridge [31.xy]

Replace the defective toner cartridge to clear the message. For more information, see the instruction sheet that came with the supply.

**Note:** If you do not have a replacement toner cartridge, then see the “Ordering supplies” section of the *User’s Guide* or visit [www.lexmark.com](http://www.lexmark.com).

## Replace maintenance kit [80.xy]

The printer is scheduled for maintenance. For more information, go to <http://support.lexmark.com> or contact your service representative, and then report the message.

## Replace missing [color] cartridge [31.xy]

Install the indicated toner cartridge to clear the message. For more information, see the “Replacing supplies” section of the *User’s Guide*.

## Replace missing [type] imaging kit [31.xy]

**Note:** The type can be a black imaging kit, or a black and color imaging kit.

Install the indicated imaging kit to clear the message. For more information, see the “Replacing supplies” section of the *User’s Guide*.

## Replace missing waste toner bottle [31.xyz]

Install the missing waste toner bottle to clear the message. For more information, see the instruction sheet that came with the supply.

## Replace unsupported [color] cartridge [32.xy]

Remove the toner cartridge, and then install a supported one to clear the message and continue printing. For more information, see the instruction sheet that came with the supply.

The following error codes indicate that a non-genuine Lexmark toner cartridge is installed:

32.13  
32.16  
32.19  
32.22  
32.25  
32.28  
32.31  
32.34  
32.37

For more information, see [“Using genuine Lexmark parts and supplies” on page 129](#).

**Note:** If you do not have a replacement cartridge, then see the “Ordering supplies” section or go to [www.lexmark.com](http://www.lexmark.com).

## Replace unsupported black and color imaging kit [32.xy]

Remove the indicated imaging kit, and then install a supported one to clear the message and continue printing. For more information, see the instruction sheet that came with the supply.

The following error codes indicate that a non-genuine Lexmark imaging kit is installed:

32.00  
32.01  
32.02  
32.07  
32.08  
32.09

32.36  
32.37  
32.51  
32.52  
32.55  
32.56  
32.57  
32.58  
32.59

For more information, see [“Using genuine Lexmark parts and supplies” on page 129](#).

**Note:** If you do not have a replacement imaging kit, then see the “Ordering supplies” section or go to [www.lexmark.com](http://www.lexmark.com).

## Replace waste toner bottle [82.xy]


Replace the waste toner bottle to clear the message.

## Restore held jobs?

Try one or more of the following:

- From the printer control panel, touch **Restore** to restore all held jobs stored in the printer hard disk.
- From the printer control panel, touch **Do not restore** if you do not want to restore any of the print jobs.

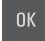
## Some held jobs were not restored

From the printer control panel, select **Continue** to clear the message. For non-touch-screen printer models, press  to confirm.


**Note:** Held jobs that are not restored remain in the printer hard disk and are inaccessible.

## Standard network software error [54]

Try one or more of the following:

- From the printer control panel, select **Continue** to continue printing. For non-touch-screen printer models, press  to confirm.
- Turn off the printer and then turn it back on.
- Update the network firmware in the printer or print server. For more information, visit the Lexmark support Web site at <http://support.lexmark.com>.

## Standard USB port disabled [56]

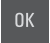
From the printer control panel, select **Continue** to clear the message. For non-touch-screen printer models, press  to confirm.

**Notes:**

- The printer discards any data received through the USB port.
- Make sure the USB Buffer menu is not set to Disabled.

**Supply needed to complete job**

Try one or more of the following:

- From the printer control panel, touch **Prompt for supplies** to view all error messages that indicate what supplies are needed to continue processing the current job. For non-touch-screen printer models, press  to clear the message and continue printing.
  - 1 Order the missing supply immediately.
  - 2 Install the supply. For more information, see the instruction sheet that came with the supply.
- Cancel the print job, then install the missing supply, and then resend the print job.

**Too many flash options installed [58]**

- 1 Turn off the printer.
- 2 Unplug the power cord from the electrical outlet.
- 3 Remove the extra flash memory.
- 4 Connect the power cord to a properly grounded electrical outlet.
- 5 Turn the printer back on.

**Too many trays attached [58]**

- 1 Turn off the printer.
- 2 Unplug the power cord from the electrical outlet.
- 3 Remove the extra trays.
- 4 Connect the power cord to a properly grounded electrical outlet.
- 5 Turn the printer back on.


**Unformatted flash detected [53]**

Try one or more of the following:

- From the printer control, select **Continue** to stop the defragmentation and continue printing. For non-touch-screen printer models, press  to confirm.
- Format the flash memory.

**Note:** If the error message remains, then the flash memory may be defective and need to be replaced.

## Waste toner bottle nearly full [82.xy]

You may need to order a waste toner bottle. If necessary, select **Continue** on the printer control panel to clear the message and continue printing. For non-touch-screen printer models, press  to confirm.

# Solving printer problems

## Basic printer problems

### The printer is not responding

Action	Yes	No
<p><b>Step 1</b> Make sure the printer is turned on.</p> <p>Is the printer turned on?</p>	Go to step 2.	Turn on the printer.
<p><b>Step 2</b> Check if the printer is in Sleep mode or Hibernate mode.</p> <p>Is the printer in Sleep mode or Hibernate mode?</p>	Press the Sleep button to wake the printer from Sleep mode or Hibernate mode.	Go to step 3.
<p><b>Step 3</b> Check if one end of the power cord is plugged into the printer and the other to a properly grounded electrical outlet.</p> <p>Is the power cord plugged into the printer and a properly grounded electrical outlet?</p>	Go to step 4.	Plug one end of the power cord into the printer and the other to a properly grounded electrical outlet.
<p><b>Step 4</b> Check other electrical equipment plugged into the electrical outlet.</p> <p>Does other electrical equipment work?</p>	Unplug the other electrical equipment, and then turn on the printer. If the printer does not work, then reconnect the other electrical equipment.	Go to step 5.
<p><b>Step 5</b> Check if the cables connecting the printer and the computer are inserted in the correct ports.</p> <p>Are the cables inserted in the correct ports?</p>	Go to step 6.	<p>Make sure to match the following:</p> <ul style="list-style-type: none"> <li>• The USB symbol on the cable with the USB symbol on the printer</li> <li>• The appropriate Ethernet cable with the Ethernet port</li> </ul>

Action	Yes	No
<p><b>Step 6</b> Make sure the electrical outlet is not turned off by a switch or breaker.</p> <p>Is the electrical outlet turned off by a switch or breaker?</p>	Turn on the switch or reset the breaker.	Go to step 7.
<p><b>Step 7</b> Check if the printer is plugged into any surge protectors, uninterruptible power supplies, or extension cords.</p> <p>Is the printer plugged into any surge protectors, uninterruptible power supplies, or extension cords?</p>	Connect the printer power cord directly to a properly grounded electrical outlet.	Go to step 8.
<p><b>Step 8</b> Check if one end of the printer cable is plugged into a port on the printer and the other to the computer, print server, option, or other network device.</p> <p>Is the printer cable securely attached to the printer and the computer, print server, option, or other network device?</p>	Go to step 9.	Connect the printer cable securely to the printer and the computer, print server, option, or other network device.
<p><b>Step 9</b> Make sure to install all hardware options properly and remove any packing material.</p> <p>Are all hardware options properly installed and all packing material removed?</p>	Go to step 10.	Turn off the printer, remove all packing materials, then reinstall the hardware options, and then turn on the printer.
<p><b>Step 10</b> Check if you have selected the correct port settings in the printer driver.</p> <p>Are the port settings correct?</p>	Go to step 11.	Use correct printer driver settings.
<p><b>Step 11</b> Check the installed printer driver.</p> <p>Is the correct printer driver installed?</p>	Go to step 12.	Install the correct printer driver.
<p><b>Step 12</b> Turn off the printer, then wait for about 10 seconds, and then turn the printer back on.</p> <p>Is the printer working?</p>	The problem is solved.	Contact <a href="#">customer support</a> .



### Printer display is blank

Action	Yes	No
<p><b>Step 1</b> Press the Sleep button on the printer control panel.</p> <p>Does <b>Ready</b> appear on the printer display?</p>	The problem is solved.	Go to step 2.
<p><b>Step 2</b> Turn off the printer, then wait for about 10 seconds, and then turn the printer back on.</p> <p>Do <b>Please wait</b> and <b>Ready</b> appear on the printer display?</p>	The problem is solved.	Turn off the printer, and then contact <a href="#">customer support</a> .

### Hardware and internal option problems

#### Cannot detect memory card

Action	Yes	No
<p>Make sure the memory card is installed.</p> <p><b>a</b> Install the memory card. For more information, see <a href="#">“Installing a memory card” on page 26</a>.</p> <p><b>Note:</b> Check if the memory card is securely connected to the printer controller board.</p> <p><b>b</b> Print a menu settings page, and then check if the card is listed in the Installed Options list.</p> <p>Is the card listed in the Installed Options list?</p>	The problem is solved.	Contact <a href="#">customer support</a> .

### Cannot detect internal option


Action	Yes	No
<p><b>Step 1</b> Turn off the printer, then wait for about 10 seconds, and then turn the printer back on.</p> <p>Does the internal option operate correctly?</p>	The problem is solved.	Go to step 2.
<p><b>Step 2</b> Check if the internal option is properly installed in the controller board.</p> <ul style="list-style-type: none"> <li><b>a</b> Turn off the printer.</li> <li><b>b</b> Unplug the power cord from the electrical outlet.</li> <li><b>c</b> Make sure the internal option is installed in the appropriate connector in the controller board.</li> <li><b>d</b> Turn the printer back on.</li> </ul> <p>Is the internal option properly installed in the controller board?</p>	Go to step 3.	Connect the internal option to the controller board.
<p><b>Step 3</b> Print a menu settings page, and then check to see if the internal option is listed in the Installed Options list.</p> <p>Is the internal option listed in the menu settings page?</p>	Go to step 4.	Reinstall the internal option.
<p><b>Step 4</b> Check if the option is available in the printer driver.</p> <p>It may be necessary to manually add the internal option in the printer driver to make it available for print jobs. For more information, see <a href="#">“Adding available options in the print driver” on page 36</a>.</p> <p>Is the internal option available in the printer driver?</p>	Go to step 5.	Manually add the internal option in the printer driver.
<p><b>Step 5</b> <b>a</b> Check if the internal option is selected.</p> <p><b>Note:</b> From the application you are using, select the internal option. For Mac OS X version 9 users, make sure the printer is set up in Chooser.</p> <p><b>b</b> Resend the print job.</p> <p>Does the internal option operate correctly?</p>	The problem is solved.	Contact <a href="#">customer support</a> .

### Tray problems

Action	Yes	No
<p><b>Step 1</b></p> <p><b>a</b> Pull out the tray, and then do one or more of the following:</p> <ul style="list-style-type: none"> <li>• Check for paper jams or misfeeds.</li> <li>• Check if the paper size indicators on the paper guides are aligned with the paper size indicators on the tray.</li> <li>• If you are printing on custom-size paper, then make sure that the paper guides rest against the edges of the paper.</li> <li>• Make sure the paper is below the maximum paper fill indicator.</li> <li>• Make sure paper lies flat in the tray.</li> </ul> <p><b>b</b> Check if the tray closes properly.</p> <p>Is the tray working?</p>	<p>The problem is solved.</p>	<p>Go to step 2.</p>
<p><b>Step 2</b></p> <p><b>a</b> Turn off the printer, then wait about 10 seconds, and then turn the printer back on.</p> <p><b>b</b> Resend the print job.</p> <p>Is the tray working?</p>	<p>The problem is solved.</p>	<p>Go to step 3.</p>
<p><b>Step 3</b></p> <p>Check if the tray is installed and recognized by the printer.</p> <p>Print a menu settings page, and then check if the tray is listed in the Installed Features list.</p> <p>Is the tray listed in the menu settings page?</p>	<p>Go to step 4.</p>	<p>Reinstall the tray. For more information, see the setup documentation that came with the tray.</p>
<p><b>Step 4</b></p> <p>Check if the tray is available in the printer driver.</p> <p><b>Note:</b> If necessary, manually add the tray in the printer driver to make it available for print jobs. For more information, see <a href="#">“Adding available options in the print driver” on page 36.</a></p> <p>Is the tray available in the printer driver?</p>	<p>The problem is solved.</p>	<p>Contact <a href="#">customer support</a>.</p>

## Paper feed problems

### Jammed pages are not reprinted


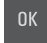

Action	Yes	No
<p><b>a</b> Turn on jam recovery.</p> <ol style="list-style-type: none"> <li><b>1</b> From the printer control panel, navigate to: <b>Settings &gt; General Settings &gt; Print Recovery &gt; Jam Recovery</b></li> <li><b>2</b> Select <b>On</b> or <b>Auto</b>.</li> <li><b>3</b> Depending on your printer model, press  or touch <b>Submit</b>.</li> </ol> <p><b>b</b> Resend the pages that did not print.</p> <p>Were the jammed pages reprinted?</p>	<p>The problem is solved.</p>	<p>Contact <a href="#">customer support</a>.</p>

### Paper frequently jams

Action	Yes	No
<p><b>Step 1</b></p> <p><b>a</b> Pull out the tray, and then do one or more of the following:</p> <ul style="list-style-type: none"> <li>• Make sure paper lies flat in the tray.</li> <li>• Check if the paper size indicators on the paper guides are aligned with the paper size indicators on the tray.</li> <li>• Check if the paper guides are aligned against the edges of the paper.</li> <li>• Make sure the paper is below the maximum paper fill indicator.</li> <li>• Check if you are printing on a recommended paper size and type.</li> </ul> <p><b>b</b> Insert the tray properly.</p> <p>If jam recovery is enabled, then the print jobs will reprint automatically.</p> <p>Do paper jams still occur frequently?</p>	<p>Go to step 2.</p>	<p>The problem is solved.</p>
<p><b>Step 2</b></p> <p><b>a</b> Load paper from a fresh package.</p> <p><b>Note:</b> Paper absorbs moisture due to high humidity. Store paper in its original wrapper until you use it.</p> <p><b>b</b> Resend the print job.</p> <p>Do paper jams still occur frequently?</p>	<p>Go to step 3.</p>	<p>The problem is solved.</p>

Action	Yes	No
<p><b>Step 3</b></p> <p><b>a</b> Review the tips on avoiding jams. For more information, see <a href="#">“Avoiding jams” on page 156</a>.</p> <p><b>b</b> Follow the recommendations, and then resend the print job.</p> <p>Do paper jams still occur frequently?</p>	Contact <a href="#">customer support</a> .	The problem is solved.

### Paper jam message remains after jam is cleared

Action	Yes	No
<p><b>a</b> Do either of the following:</p> <ul style="list-style-type: none"> <li>For touch-screen printer models, touch  or <b>Done</b>.</li> <li>For non-touch-screen printer models, select <b>Next</b> &gt;  &gt;</li> </ul> <p><b>Clear the jam, press OK</b> &gt;  .</p> <p><b>b</b> Follow the instructions on the printer display.</p> <p>Does the paper jam message remain?</p>	Contact <a href="#">customer support</a> .	The problem is solved.

## Solving home screen application problems

- “An application error has occurred” on page 181

### An application error has occurred

Action	Yes	No
<p><b>Step 1</b></p> <p>Check the system log for relevant details.</p> <p><b>a</b> Open a Web browser, and then type the printer IP address in the address field.</p> <p>If you do not know the IP address of the printer, then you can:</p> <ul style="list-style-type: none"> <li>View the IP address on the printer home screen.</li> <li>Print a network setup page or the menu settings pages, and then locate the IP address in the TCP/IP section.</li> </ul> <p><b>Note:</b> An IP address appears as four sets of numbers separated by periods, such as 123.123.123.123.</p> <p><b>b</b> Click <b>Settings</b> &gt; <b>Apps</b> &gt; <b>Apps Management</b> &gt; <b>System</b> tab &gt; <b>Log</b>.</p> <p><b>c</b> From the Filter menu, select an application status.</p> <p><b>d</b> From the Application menu, select an application, and then click <b>Submit</b>.</p> <p>Does an error message appear in the log?</p>	Go to step 2.	Contact <a href="#">customer support</a> .

Action	Yes	No
<p><b>Step 2</b> Resolve the error. Is the application working now?</p>	The problem is solved.	Contact <a href="#">customer support</a> .

## Solving print problems

### Printing problems

#### Incorrect characters print

Action	Yes	No
<p><b>Step 1</b> Make sure the printer is not in Hex Trace mode. <b>Note:</b> If <b>Ready Hex</b> appears on the printer display, then turn off the printer, and then turn it back on to deactivate Hex Trace mode.  Is the printer in Hex Trace mode?</p>	Deactivate Hex Trace mode.	Go to step 2.
<p><b>Step 2</b> <b>a</b> From the printer control panel, select <b>Standard Network</b> or <b>Network [x]</b>, and then set SmartSwitch to On. <b>b</b> Resend the print job.  Do incorrect characters print?</p>	Contact <a href="#">customer support</a> .	The problem is solved.

#### Job prints from the wrong tray or on the wrong paper

Action	Yes	No
<p><b>Step 1</b> <b>a</b> Check if you are printing on paper that is supported by the tray. <b>b</b> Resend the print job.  Did the job print from the correct tray or on the correct paper?</p>	The problem is solved.	Go to step 2.
<p><b>Step 2</b> <b>a</b> From the Paper menu on the printer control panel, set the paper size and type to match the paper loaded in the tray. <b>b</b> Resend the print job.  Did the job print from the correct tray or on the correct paper?</p>	The problem is solved.	Go to step 3.

Action	Yes	No
<p><b>Step 3</b></p> <p><b>a</b> Depending on your operating system, open Printing Preferences or the Print dialog, and then specify the paper type.</p> <p><b>b</b> Resend the print job.</p> <p>Did the job print from the correct tray or on the correct paper?</p>	The problem is solved.	Go to step 4.
<p><b>Step 4</b></p> <p><b>a</b> Check if the trays are not linked.</p> <p><b>b</b> Resend the print job.</p> <p>Did the job print from the correct tray or on the correct paper?</p>	The problem is solved.	Contact <a href="#">customer support</a> .

**Large jobs do not collate**

Action	Yes	No
<p><b>Step 1</b></p> <p><b>a</b> From the Finishing menu on the printer control panel, set Collate to (1,2,3) (1,2,3).</p> <p><b>b</b> Resend the print job.</p> <p>Did the job print and collate correctly?</p>	The problem is solved.	Go to step 2.
<p><b>Step 2</b></p> <p><b>a</b> From the printer software, set Collate to (1,2,3) (1,2,3).</p> <p><b>Note:</b> Setting Collate to (1,1,1) (2,2,2) in the software overrides the setting in the Finishing menu.</p> <p><b>b</b> Resend the print job.</p> <p>Did the job print and collate correctly?</p>	The problem is solved.	Go to step 3.
<p><b>Step 3</b></p> <p>Reduce the complexity of the print job by eliminating the number and size of fonts, the number and complexity of images, and the number of pages in the job.</p> <p>Did the job print and collate correctly?</p>	The problem is solved.	Contact <a href="#">customer support</a> .

### Error message about reading the flash drive appears

Action	Yes	No
<p><b>Step 1</b> Check if the flash drive is inserted into the front USB port. <b>Note:</b> The flash drive will not work if it is inserted into the rear USB port.</p> <p>Is the flash drive inserted into the front USB port?</p>	Go to step 2.	Insert the flash drive into the front USB port.
<p><b>Step 2</b> Check if the indicator light on the printer control panel is blinking green. <b>Note:</b> A green blinking light indicates that the printer is busy.</p> <p>Is the indicator light blinking green?</p>	Wait until the printer is ready, then view the held jobs list, and then print the documents.	Go to step 3.
<p><b>Step 3</b> <b>a</b> Check for an error message on the display. <b>b</b> Clear the message.</p> <p>Does the error message still appear?</p>	Go to step 4.	The problem is solved.
<p><b>Step 4</b> Check if the flash drive is supported. For more information on tested and approved USB flash drives, see <a href="#">“Supported flash drives and file types” on page 66</a>.</p> <p>Does the error message still appear?</p>	Go to step 5.	The problem is solved.
<p><b>Step 5</b> Check if the USB port is disabled by the system support person.</p> <p>Does the error message still appear?</p>	Contact <a href="#">customer support</a> .	The problem is solved.

### Printing slows down

**Notes:**

- When printing using narrow paper, the printer prints at a reduced speed to prevent damage to the fuser.
- The printer speed may be reduced if printing for long periods of time, or printing at elevated temperatures.

Action	Yes	No
<p>Place letter- or A4-size paper in the tray, and then resend the print job.</p> <p>Does the print speed increase?</p>	The problem is solved.	Contact <a href="#">customer support</a> .



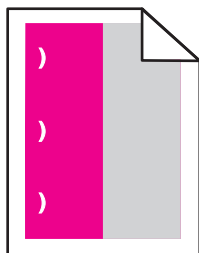
### Print jobs do not print

Action	Yes	No
<p><b>Step 1</b></p> <p><b>a</b> From the document you are trying to print, open the Print dialog and check if you have selected the correct printer.</p> <p><b>Note:</b> If the printer is not the default printer, then you must select the printer for each document that you want to print.</p> <p><b>b</b> Resend the print job.</p> <p>Do the jobs print?</p>	The problem is solved.	Go to step 2.
<p><b>Step 2</b></p> <p><b>a</b> Check if the printer is plugged in and turned on, and if <b>Ready</b> appears on the printer display.</p> <p><b>b</b> Resend the print job.</p> <p>Do the jobs print?</p>	The problem is solved.	Go to step 3.
<p><b>Step 3</b></p> <p>If an error message appears on the printer display, then clear the message.</p> <p><b>Note:</b> The printer continues to print after clearing the message.</p> <p>Do the jobs print?</p>	The problem is solved.	Go to step 4.
<p><b>Step 4</b></p> <p><b>a</b> Check if the ports (USB, serial, or Ethernet) are working and if the cables are securely connected to the computer and the printer.</p> <p><b>Note:</b> For more information, see the setup documentation that came with the printer.</p> <p><b>b</b> Resend the print job.</p> <p>Do the jobs print?</p>	The problem is solved.	Go to step 5.
<p><b>Step 5</b></p> <p><b>a</b> Turn off the printer, then wait for about 10 seconds, and then turn the printer back on.</p> <p><b>b</b> Resend the print job.</p> <p>Do the jobs print?</p>	The problem is solved.	Go to step 6.
<p><b>Step 6</b></p> <p><b>a</b> Remove, and then reinstall the printer software. For more information, see <a href="#">“Installing the printer software” on page 36</a>.</p> <p><b>Note:</b> The printer software is available at <a href="http://support.lexmark.com">http://support.lexmark.com</a>.</p> <p><b>b</b> Resend the print job.</p> <p>Do the jobs print?</p>	The problem is solved.	Contact <a href="#">customer support</a> .

### Print job takes longer than expected

Action	Yes	No
<p><b>Step 1</b> Change the environmental settings of the printer.</p> <p><b>a</b> From the printer control panel, navigate to: <b>Settings &gt; General Settings</b></p> <p><b>b</b> Select <b>Eco-Mode</b> or <b>Quiet Mode</b>, and then select <b>Off</b>.</p> <p><b>Note:</b> Disabling Eco-Mode or Quiet Mode may increase the consumption of energy or supplies, or both.</p> <p>Did the job print?</p>	The problem is solved.	Go to step 2.
<p><b>Step 2</b> Reduce the number and size of fonts, the number and complexity of images, and the number of pages in the print job, and then resend the job</p> <p>Did the job print?</p>	The problem is solved.	Go to step 3.
<p><b>Step 3</b> <b>a</b> Remove held jobs stored in the printer memory. <b>b</b> Resend the print job.</p> <p>Did the job print?</p>	The problem is solved.	Go to step 4.
<p><b>Step 4</b> <b>a</b> Disable the Page Protect feature. From the printer control panel, navigate to: <b>Settings &gt; General Settings &gt; Print Recovery &gt; Page Protect &gt; Off</b></p> <p><b>b</b> Resend the print job.</p> <p>Did the job print?</p>	The problem is solved.	Go to step 5.
<p><b>Step 5</b> Install additional printer memory, and then resend the print job.</p> <p>Did the job print?</p>	The problem is solved.	Contact <a href="#">customer support</a> .

### Repeating defects appear on prints



Action	Yes	No
<p><b>a</b> Check if the distance between the defects is equal to one of the following:</p> <ul style="list-style-type: none"> <li>• 25.1 mm (0.98 in.)</li> <li>• 29.8 mm (1.17 in.)</li> <li>• 43.9 mm (1.72 in.)</li> <li>• 45.5 mm (1.79 in.)</li> <li>• 94.2 mm (3.70 in.)</li> </ul> <p><b>b</b> If the distance between the defects equals 25.1 mm (0.98 in.), 29.8 mm (1.17 in.), or 94.2 mm (3.70 in.), then replace the photoconductor unit.</p> <p><b>c</b> If the distance between the defects equals 43.9 mm (1.72 in.) or 45.5 mm (1.79 in.), then replace the developer unit.</p> <p>Do the repeating defects still appear?</p>	<p><b>1</b> Check if the distance between the defects is equal to one of the following:</p> <ul style="list-style-type: none"> <li>• 37.7 mm (1.48 in.)</li> <li>• 78.5 mm (3.09 in.)</li> <li>• 95 mm (3.74 in.)</li> </ul> <p><b>2</b> Take note of the distance, and then contact <a href="#">customer support</a> or your service representative.</p>	<p>The problem is solved.</p>

### Tray linking does not work

**Notes:**

- The trays can detect paper length.
- The multipurpose feeder does not automatically detect the paper size. You must set the size from the Paper Size/Type menu.

Action	Yes	No
<p><b>Step 1</b></p> <p><b>a</b> Open the trays, and then check if they contain paper of the same size and type.</p> <ul style="list-style-type: none"> <li>• Check if the paper guides are in the correct positions for the size of the paper loaded in each tray.</li> <li>• Check if the paper size indicators on the paper guides are aligned with the paper size indicators on the tray.</li> </ul> <p><b>b</b> Resend the print job.</p> <p>Do the trays link correctly?</p>	<p>The problem is solved.</p>	<p>Go to step 2.</p>

Action	Yes	No
<p><b>Step 2</b></p> <p><b>a</b> From the printer control panel, set the paper size and type in the Paper menu to match the paper loaded in the trays to be linked.</p> <p><b>Note:</b> The paper size and type must match for trays to be linked.</p> <p><b>b</b> Resend the print job.</p> <p>Do the trays link correctly?</p>	<p>The problem is solved.</p>	<p>Contact <a href="#">customer support</a>.</p>

### Multiple-language PDF files do not print

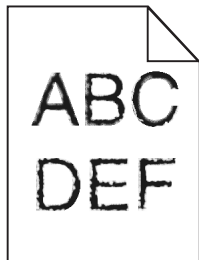
Action	Yes	No
<p><b>Step 1</b></p> <p><b>a</b> Check if the print options for the PDF output are set to embed all fonts.</p> <p><b>b</b> Generate a new PDF file, and then resend the print job.</p> <p>Do the files print?</p>	<p>The problem is solved.</p>	<p>Go to step 2.</p>
<p><b>Step 2</b></p> <p><b>a</b> Open the document you want to print in Adobe Acrobat.</p> <p><b>b</b> Click <b>File &gt; Print &gt; Advanced &gt; Print As Image &gt; OK &gt; OK</b> .</p> <p>Do the files print?</p>	<p>The problem is solved.</p>	<p>Contact <a href="#">customer support</a>.</p>

### Unexpected page breaks occur

Action	Yes	No
<p><b>Step 1</b></p> <p>Adjust the print timeout settings.</p> <p><b>a</b> From the printer control panel, navigate to: <b>Settings &gt; General Settings &gt; Timeouts &gt; Print Timeout</b></p> <p><b>b</b> Select a higher setting and then, depending on your printer model, select <input type="button" value="OK"/> or <b>Submit</b>.</p> <p><b>c</b> Resend the print job.</p> <p>Did the file print correctly?</p>	<p>The problem is solved.</p>	<p>Go to step 2.</p>
<p><b>Step 2</b></p> <p><b>a</b> Check the original file for manual page breaks.</p> <p><b>b</b> Resend the print job.</p> <p>Did the file print correctly?</p>	<p>The problem is solved.</p>	<p>Contact <a href="#">customer support</a>.</p>

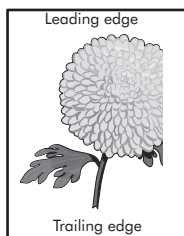
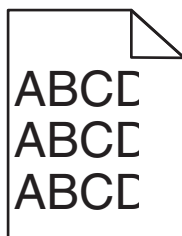
## Print quality problems

### Characters have jagged or uneven edges



Action	Yes	No
<p><b>Step 1</b></p> <p><b>a</b> Print a font sample list to check if the fonts you are using are supported by the printer.</p> <p>    <b>1</b> From the printer control panel, navigate to:         <b>Menus &gt; Reports &gt; Print Fonts</b></p> <p>    <b>2</b> Select <b>PCL Fonts</b> or <b>PostScript Fonts</b>.</p> <p><b>b</b> Resend the print job.</p> <p>Are you using fonts that are supported by the printer?</p>	Go to step 2.	Select a font that is supported by the printer.
<p><b>Step 2</b></p> <p>Check if the fonts installed on the computer are supported by the printer.</p> <p>Are the fonts installed on the computer supported by the printer?</p>	The problem is solved.	Contact <a href="#">customer support</a> .

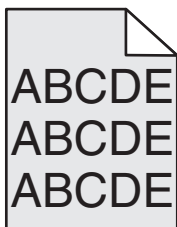
### Clipped pages or images



Action	Yes	No
<p><b>Step 1</b></p> <p><b>a</b> Move the width and length guides in the tray to the correct positions for the paper loaded.</p> <p><b>b</b> Resend the print job.</p> <p>Is the page or image clipped?</p>	Go to step 2.	The problem is solved.

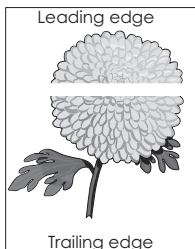
Action	Yes	No
<p><b>Step 2</b></p> <p>From the printer control panel, set the paper size and type in the Paper menu to match the paper loaded in the tray.</p> <p>Does the paper size match the paper loaded in the tray?</p>	Go to step 3.	<p>Do one or more of the following:</p> <ul style="list-style-type: none"> <li>From the printer control panel, change the paper size to match the paper loaded in the tray.</li> <li>From the printer control panel, change the paper type to match the paper loaded in the tray.</li> </ul>
<p><b>Step 3</b></p> <p><b>a</b> Depending on your operating system, specify the paper size from Printing Preferences or from the Print dialog.</p> <p><b>b</b> Resend the print job.</p> <p>Is the page or image clipped?</p>	Go to step 4.	The problem is solved.
<p><b>Step 4</b></p> <p><b>a</b> Remove, and then reinstall the imaging kit.</p> <p><b>Warning—Potential Damage:</b> Do not expose the imaging kit to direct light for more than 10 minutes. Extended exposure to light may cause print quality problems.</p> <p><b>Warning—Potential Damage:</b> Do not touch the underside of the imaging kit. This could damage the imaging kit.</p> <p><b>b</b> Resend the print job.</p> <p>Is the page or image clipped?</p>	Contact <a href="#">customer support</a> .	The problem is solved.

**Gray background on prints**



Action	Yes	No
<p><b>Step 1</b> Reduce the toner darkness.</p> <p><b>a</b> From the Quality menu on the printer control panel, reduce the toner density.</p> <p><b>Note:</b> 4 is the factory default setting.</p> <p><b>b</b> Resend the print job.</p> <p>Did the gray background disappear?</p>	The problem is solved.	Go to step 2.
<p><b>Step 2</b></p> <p><b>a</b> Remove, and then reinstall the imaging kit.</p> <p><b>Warning—Potential Damage:</b> Do not expose the imaging kit to direct light for more than 10 minutes. Extended exposure to light may cause print quality problems.</p> <p><b>Warning—Potential Damage:</b> Do not touch the underside of the imaging kit. This could damage the imaging kit.</p> <p><b>b</b> Resend the print job.</p> <p>Did the gray background disappear?</p>	The problem is solved.	Contact <a href="#">customer support</a> .

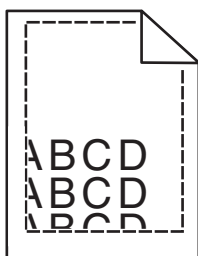
### Horizontal voids appear on prints



Action	Yes	No
<p><b>Step 1</b></p> <p><b>a</b> Make sure your software program is using a correct fill pattern.</p> <p><b>b</b> Resend the print job.</p> <p>Do horizontal voids appear on prints?</p>	Go to step 2.	The problem is solved.
<p><b>Step 2</b></p> <p><b>a</b> Load the specified tray or feeder with a recommended type of paper.</p> <p><b>b</b> Resend the print job.</p> <p>Do horizontal voids appear on prints?</p>	Go to step 3.	The problem is solved.

Action	Yes	No
<p><b>Step 3</b></p> <p><b>a</b> Remove, and then reinstall the imaging kit.</p> <p><b>Warning—Potential Damage:</b> Do not expose the imaging kit to direct light for more than 10 minutes. Extended exposure to light may cause print quality problems.</p> <p><b>Warning—Potential Damage:</b> Do not touch the underside of the imaging kit. This could damage the imaging kit.</p> <p><b>b</b> Resend the print job.</p> <p>Do horizontal voids appear on prints?</p>	Go to step 4.	The problem is solved.
<p><b>Step 4</b></p> <p>Replace the imaging kit, and then resend the print job.</p> <p>Do horizontal voids appear on prints?</p>	Contact <a href="#">customer support</a> .	The problem is solved.

### Incorrect margins on prints



Action	Yes	No
<p><b>Step 1</b></p> <p><b>a</b> Move the width and length guides in the tray to the correct positions for the paper size loaded.</p> <p><b>b</b> Resend the print job.</p> <p>Are the margins correct?</p>	The problem is solved.	Go to step 2.
<p><b>Step 2</b></p> <p>From the printer control panel, set the paper size in the Paper menu to match the paper loaded in the tray.</p> <p>Does the paper size match the paper loaded in the tray?</p>	Go to step 3.	<p>Do one or more of the following:</p> <ul style="list-style-type: none"> <li>Specify the paper size from the tray settings to match the paper loaded in the tray.</li> <li>Change the paper loaded in the tray to match the paper size specified in the tray settings.</li> </ul>

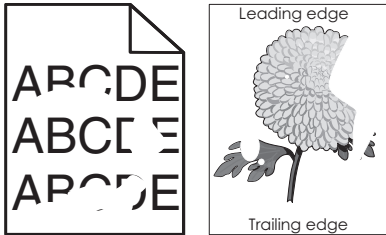


Action	Yes	No
<p><b>Step 3</b></p> <p><b>a</b> Depending on your operating system, specify the paper size from Printing Preferences or from the Print dialog.</p> <p><b>b</b> Resend the print job.</p> <p>Are the margins correct?</p>	<p>The problem is solved.</p>	<p>Contact <a href="#">customer support</a>.</p>

### Paper curl

Action	Yes	No
<p><b>Step 1</b></p> <p>Move the width and length guides in the tray to the correct positions for the size of the paper loaded.</p> <p>Are the width and length guides positioned correctly?</p>	<p>Go to step 2.</p>	<p>Adjust the width and length guides.</p>
<p><b>Step 2</b></p> <p>From the printer control panel, set the paper type and weight in the Paper menu to match the paper loaded in the tray.</p> <p>Do the paper type and weight match the type and weight of the paper in the tray?</p>	<p>Go to step 3.</p>	<p>Specify the paper type and weight from the tray settings to match the paper loaded in the tray.</p>
<p><b>Step 3</b></p> <p><b>a</b> Depending on your operating system, specify the paper type and weight from Printing Preferences or from the Print dialog.</p> <p><b>b</b> Resend the print job.</p> <p>Is the paper still curled?</p>	<p>Go to step 4.</p>	<p>The problem is solved.</p>
<p><b>Step 4</b></p> <p><b>a</b> Remove the paper from the tray, and then turn it over.</p> <p><b>b</b> Resend the print job.</p> <p>Is the paper still curled?</p>	<p>Go to step 5.</p>	<p>The problem is solved.</p>
<p><b>Step 5</b></p> <p><b>a</b> Load paper from a fresh package.</p> <p><b>Note:</b> Paper absorbs moisture due to high humidity. Store paper in its original wrapper until you use it.</p> <p><b>b</b> Resend the print job.</p> <p>Is the paper still curled?</p>	<p>Contact <a href="#">customer support</a>.</p>	<p>The problem is solved.</p>

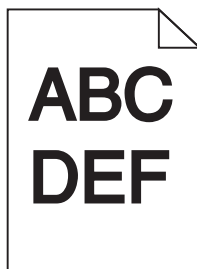
### Print irregularities



Action	Yes	No
<p><b>Step 1</b></p> <p><b>a</b> Move the width and length guides in the tray to the correct positions for the size of the paper loaded in the tray.</p> <p><b>b</b> Resend the print job.</p> <p>Do print irregularities still appear?</p>	Go to step 2.	The problem is solved.
<p><b>Step 2</b></p> <p>From the printer control panel, set the paper size and type in the Paper menu to match the paper loaded in the tray.</p> <p>Is the tray set to the size and type of the paper loaded in the tray?</p>	Go to step 3.	<p>Do one or more of the following:</p> <ul style="list-style-type: none"> <li>Specify the paper size from the tray settings to match the paper loaded in the tray.</li> <li>Change the paper loaded in the tray to match the paper size specified in the tray settings.</li> </ul>
<p><b>Step 3</b></p> <p><b>a</b> Depending on your operating system, specify the paper type and weight from Printing Preferences or from the Print dialog.</p> <p><b>b</b> Resend the print job.</p> <p>Do print irregularities still appear?</p>	Go to step 4.	The problem is solved.
<p><b>Step 4</b></p> <p>Check if the paper loaded in the tray has texture or rough finishes.</p> <p>Are you printing on textured or rough paper?</p>	From the printer control panel, set the paper texture in the Paper menu to match the paper loaded in the tray.	Go to step 5.

Action	Yes	No
<p><b>Step 5</b></p> <p><b>a</b> Load paper from a fresh package.</p> <p><b>Note:</b> Paper absorbs moisture due to high humidity. Store paper in its original wrapper until you use it.</p> <p><b>b</b> Resend the print job.</p> <p>Do print irregularities still appear?</p>	Go to step 6.	The problem is solved.
<p><b>Step 6</b></p> <p>Replace the imaging kit, and then resend the print job.</p> <p>Do print irregularities still appear?</p>	Contact <a href="#">customer support</a> .	The problem is solved.

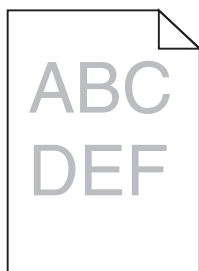
**Print is too dark**



Action	Yes	No
<p><b>Step 1</b></p> <p><b>a</b> From the Quality menu on the printer control panel, select <b>Color Adjust</b>.</p> <p><b>b</b> Resend the print job.</p> <p>Is the print still too dark?</p>	Go to step 2.	The problem is solved.
<p><b>Step 2</b></p> <p><b>a</b> From the Quality menu on the printer control panel, reduce the toner darkness.</p> <p><b>Note:</b> 4 is the factory default setting.</p> <p><b>b</b> Resend the print job.</p> <p>Is the print still too dark?</p>	Go to step 3.	The problem is solved.
<p><b>Step 3</b></p> <p><b>a</b> From the printer control panel, set the paper type, texture, and weight in the Paper menu to match the paper loaded in the tray.</p> <p><b>b</b> Resend the print job.</p> <p>Is the tray set to the type, texture, and weight of the paper loaded?</p>	Go to step 4.	Change the paper loaded in the tray to match the paper type, texture, and weight specified in the tray settings.

Action	Yes	No
<p><b>Step 4</b></p> <p><b>a</b> Depending on your operating system, specify the paper type, texture and weight from Printing Preferences or from the Print dialog.</p> <p><b>b</b> Resend the print job.</p> <p>Is the print still too dark?</p>	Go to step 5.	The problem is solved.
<p><b>Step 5</b></p> <p>Check if the paper loaded in the tray has texture or rough finishes.</p> <p>Are you printing on textured or rough paper?</p>	From the printer control panel, set the paper texture in the Paper menu to match the paper loaded on the tray.	Go to step 6.
<p><b>Step 6</b></p> <p><b>a</b> Load paper from a fresh package.</p> <p><b>Note:</b> Paper absorbs moisture due to high humidity. Store paper in its original wrapper until you use it.</p> <p><b>b</b> Resend the print job.</p> <p>Is the print still too dark?</p>	Go to step 7.	The problem is solved.
<p><b>Step 7</b></p> <p>Replace the imaging kit, and then resend the print job.</p> <p>Is the print still too dark?</p>	Contact <a href="#">customer support</a> .	The problem is solved.

**Print is too light**



Action	Yes	No
<p><b>Step 1</b></p> <p><b>a</b> From the Quality menu on the printer control panel, select <b>Color Adjust</b>.</p> <p><b>b</b> Resend the print job.</p> <p>Is the print still too light?</p>	Go to step 2.	The problem is solved.

Action	Yes	No
<p><b>Step 2</b></p> <p><b>a</b> From the Quality menu on the printer control panel, increase the toner darkness.</p> <p><b>Note:</b> 4 is the factory default setting.</p> <p><b>b</b> Resend the print job.</p> <p>Is the print still too light?</p>	Go to step 3.	The problem is solved.
<p><b>Step 3</b></p> <p>From the printer control panel, set the paper type, texture, and weight in the Paper menu to match the paper loaded in the tray.</p> <p>Is the tray set to the type, texture, and weight of the paper loaded?</p>	Go to step 4.	Specify the paper type, texture, and weight from the tray settings to match the paper loaded in the tray.
<p><b>Step 4</b></p> <p><b>a</b> Depending on your operating system, specify the paper type, texture, and weight from Printing Preferences or from the Print dialog.</p> <p><b>b</b> Resend the print job.</p> <p>Is the print still too light?</p>	Go to step 5.	The problem is solved.
<p><b>Step 5</b></p> <p>Make sure that the paper has no texture or rough finishes.</p> <p>Are you printing on textured or rough paper?</p>	From the printer control panel, set the paper texture in the Paper menu to match the paper loaded in the tray	Go to step 5.
<p><b>Step 6</b></p> <p><b>a</b> Load paper from a fresh package.</p> <p><b>Note:</b> Paper absorbs moisture due to high humidity. Store paper in its original wrapper until you use it.</p> <p><b>b</b> Resend the print job.</p> <p>Is the print still too light?</p>	Go to step 7.	The problem is solved.
<p><b>Step 7</b></p> <p>Replace the imaging kit, and then resend the print job.</p> <p>Is the print still too light?</p>	Contact <a href="#">customer support</a> .	The problem is solved.

### Printer is printing blank pages



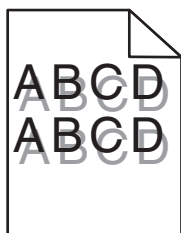
Action	Yes	No
<p><b>Step 1</b></p> <p><b>a</b> Check if there is packing material left on the imaging kit.</p> <ol style="list-style-type: none"> <li><b>1</b> Remove the imaging kit.</li> <li><b>2</b> Check if the packing material is properly removed from the imaging kit.</li> </ol> <p><b>Warning—Potential Damage:</b> Do not expose the imaging kit to direct light for more than 10 minutes. Extended exposure to light may cause print quality problems.</p> <p><b>Warning—Potential Damage:</b> Do not touch the underside of the imaging kit. This could damage the imaging kit.</p> <ol style="list-style-type: none"> <li><b>3</b> Reinstall the imaging kit.</li> </ol> <p><b>b</b> Resend the print job.</p> <p>Is the printer still printing blank pages?</p>	<p>Go to step 2.</p>	<p>The problem is solved.</p>
<p><b>Step 2</b></p> <p>Replace the imaging kit, and then resend the print job.</p> <p>Is the printer still printing blank pages?</p>	<p>Contact <a href="#">customer support</a>.</p>	<p>The problem is solved.</p>

### Printer is printing solid black pages



Action	Yes	No
<p><b>Step 1</b></p> <p><b>a</b> Remove, and then reinstall the imaging kit.</p> <p><b>Warning—Potential Damage:</b> Do not expose the imaging kit to direct light for more than 10 minutes. Extended exposure to light may cause print quality problems.</p> <p><b>Warning—Potential Damage:</b> Do not touch the underside of the imaging kit. This could damage the imaging kit.</p> <p><b>b</b> Resend the print job.</p> <p>Is the printer printing solid black pages?</p>	Go to step 2.	The problem is solved.
<p><b>Step 2</b></p> <p>Replace the imaging kit, and then resend the print job.</p> <p>Is the printer printing solid black pages?</p>	Contact <a href="#">customer support</a> .	The problem is solved.

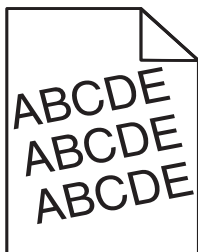
**Shadow images appear on prints**



Action	Yes	No
<p><b>Step 1</b></p> <p>Check if the paper loaded in the tray has the correct paper type and weight.</p> <p>Is paper with the correct paper type and weight loaded in the tray?</p>	Go to step 2.	Load paper with the correct paper type and weight in the tray.
<p><b>Step 2</b></p> <p>From the printer control panel, set the paper type and weight in the Paper menu to match the paper loaded in the tray.</p> <p>Do the printer settings match the type and weight of the paper loaded?</p>	Go to step 3.	Change the paper type and weight to match the paper loaded in the tray.
<p><b>Step 3</b></p> <p><b>a</b> Depending on your operating system, specify the paper type and weight from Printing Preferences or from the Print dialog.</p> <p><b>b</b> Resend the print job.</p> <p>Do shadow images still appear on prints?</p>	Go to step 4.	The problem is solved.

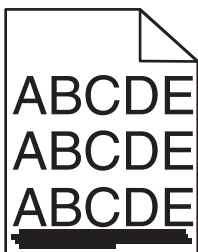
Action	Yes	No
<p><b>Step 4</b>                      Replace the imaging kit, and then resend the print job.</p> <p>Do shadow images still appear on prints?</p>	<p>Contact <a href="#">customer support</a>.</p>	<p>The problem is solved.</p>

**Skewed print**



Action	Yes	No
<p><b>Step 1</b>                      a Move the width and length guides in the tray to the correct positions for the size of the paper loaded.                      b Resend the print job.</p> <p>Is the print still skewed?</p>	<p>Go to step 2.</p>	<p>The problem is solved.</p>
<p><b>Step 2</b>                      a Check if you are printing on a paper that is supported by the tray.                      b Resend the print job.</p> <p>Is the print still skewed?</p>	<p>Contact <a href="#">customer support</a>.</p>	<p>The problem is solved.</p>

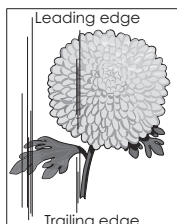
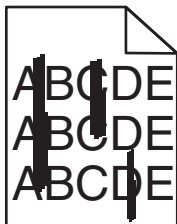
**Streaked horizontal lines appear on prints**





Action	Yes	No
<p><b>Step 1</b></p> <p><b>a</b> Depending on your operating system, specify the tray or feeder from Printing Preferences or the Print dialog.</p> <p><b>b</b> Resend the print job.</p> <p>Do streaked horizontal lines appear on prints?</p>	<p>Go to step 2.</p>	<p>The problem is solved.</p>
<p><b>Step 2</b></p> <p>From the printer control panel, set the paper type and weight in the Paper menu to match the paper loaded in the tray.</p> <p>Do the paper type and weight match the paper in the tray?</p>	<p>Go to step 3.</p>	<p>Do one or more of the following:</p> <ul style="list-style-type: none"> <li>• Specify the paper type and weight from the tray settings to match the paper loaded in the tray.</li> <li>• Change the paper loaded in the tray to match the paper type and weight specified in the tray settings.</li> </ul>
<p><b>Step 3</b></p> <p><b>a</b> Load paper from a fresh package.</p> <p><b>Note:</b> Paper absorbs moisture due to high humidity. Store paper in its original wrapper until you use it.</p> <p><b>b</b> Resend the print job.</p> <p>Do streaked horizontal lines appear on prints?</p>	<p>Go to step 4.</p>	<p>The problem is solved.</p>
<p><b>Step 4</b></p> <p><b>a</b> Remove, and then reinstall the imaging kit.</p> <p><b>Warning—Potential Damage:</b> Do not expose the imaging kit to direct light for more than 10 minutes. Extended exposure to light may cause print quality problems.</p> <p><b>Warning—Potential Damage:</b> Do not touch the underside of the imaging kit. This could damage the imaging kit.</p> <p><b>b</b> Resend the print job.</p> <p>Do streaked horizontal lines appear on prints?</p>	<p>Go to step 5.</p>	<p>The problem is solved.</p>
<p><b>Step 5</b></p> <p>Replace the imaging kit, and then resend the print job.</p> <p>Do streaked horizontal lines appear on prints?</p>	<p>Contact <a href="#">customer support</a>.</p>	<p>The problem is solved.</p>

### Streaked vertical lines appear on prints



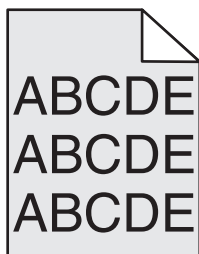
Action	Yes	No
<p><b>Step 1</b></p> <p><b>a</b> Depending on your operating system, specify the paper type, texture, and weight from Printing Preferences or from the Print dialog.</p> <p><b>b</b> Resend the print job.</p> <p>Do streaked vertical lines appear on prints?</p>	Go to step 2.	The problem is solved.
<p><b>Step 2</b></p> <p>From the printer control panel, set the paper texture, type, and weight in the Paper menu to match the paper loaded in the tray.</p> <p>Do the paper texture, type, and weight match the paper in the tray?</p>	Go to step 3.	<p>Do one or more of the following:</p> <ul style="list-style-type: none"> <li>Specify the paper texture, type, and weight from the tray settings to match the paper loaded in the tray.</li> <li>Change the paper loaded in the tray to match the paper size specified in the tray settings.</li> </ul>
<p><b>Step 3</b></p> <p><b>a</b> Load paper from a fresh package.</p> <p><b>Note:</b> Paper absorbs moisture due to high humidity. Store paper in its original wrapper until you use it.</p> <p><b>b</b> Resend the print job.</p> <p>Do streaked vertical lines appear on prints?</p>	Go to step 4.	The problem is solved.

Action	Yes	No
<p><b>Step 4</b></p> <p><b>a</b> Remove, and then reinstall the imaging kit.</p> <p><b>Warning—Potential Damage:</b> Do not expose the imaging kit to direct light for more than 10 minutes. Extended exposure to light may cause print quality problems.</p> <p><b>Warning—Potential Damage:</b> Do not touch the underside of the imaging kit. This could damage the imaging kit.</p> <p><b>b</b> Resend the print job.</p> <p>Do streaked vertical lines appear on prints?</p>	Go to step 5.	The problem is solved.
<p><b>Step 5</b></p> <p>Replace the imaging kit, and then resend the print job.</p> <p>Do streaked vertical lines appear on prints?</p>	Contact <a href="#">customer support</a> .	The problem is solved.

**Transparency print quality is poor**

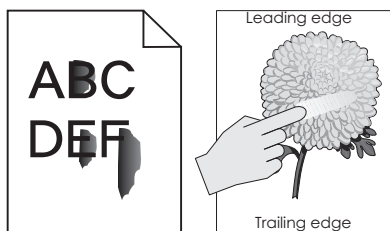
Action	Yes	No
<p><b>Step 1</b></p> <p>From the printer control panel, set the paper type in the Paper menu to match the paper loaded in the tray.</p> <p>Is the paper type for the tray set to Transparency?</p>	Go to step 2.	Set the paper type to Transparency.
<p><b>Step 2</b></p> <p><b>a</b> Check if you are using a recommended type of transparency.</p> <p><b>b</b> Resend the print job.</p> <p>Is the print quality still poor?</p>	Contact <a href="#">customer support</a> .	The problem is solved.

**Toner fog or background shading appears on prints**



Action	Yes	No
<p><b>Step 1</b></p> <p><b>a</b> Remove, and then reinstall the imaging kit.</p> <p><b>Warning—Potential Damage:</b> Do not expose the imaging kit to direct light for more than 10 minutes. Extended exposure to light may cause print quality problems.</p> <p><b>Warning—Potential Damage:</b> Do not touch the underside of the imaging kit. This could damage the imaging kit.</p> <p><b>b</b> Resend the print job.</p> <p>Does fog or shading disappear from the prints?</p>	The problem is solved.	Go to step 2.
<p><b>Step 2</b></p> <p>Replace the imaging kit, and then resend the print job.</p> <p>Does fog or shading disappear from the prints?</p>	The problem is solved.	Contact <a href="#">customer support</a> .

**Toner rubs off**

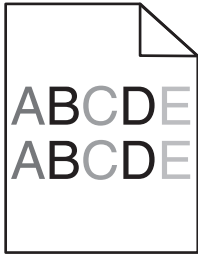


Action	Yes	No
<p><b>Step 1</b></p> <p>From the Paper menu on the printer control panel, check the paper type, texture, and weight.</p> <p>Do the paper type, texture, and weight match the paper loaded in the tray?</p>	Go to step 2.	Specify the paper type, texture, and weight from the tray settings to match the paper loaded in the tray.
<p><b>Step 2</b></p> <p>Resend the print job.</p> <p>Does the toner still rub off?</p>	Contact <a href="#">customer support</a> .	The problem is solved.

**Toner specks appear on prints**

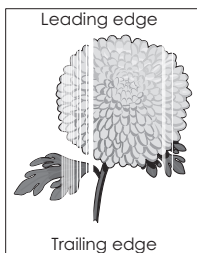
Action	Yes	No
<p>Replace the imaging kit, and then resend the print job.</p> <p>Do toner specks appear on prints?</p>	Contact <a href="#">customer support</a> .	The problem is solved.

### Uneven print density



Action	Yes	No
Replace the imaging kit, and then resend the print job.  Is the print density uneven?	Contact <a href="#">customer support</a> .	The problem is solved.

### Vertical voids appear on prints



Action	Yes	No
<b>Step 1</b> a Check if your software program is using a correct fill pattern. b Resend the print job.  Do vertical voids appear on prints?	Go to step 2.	The problem is solved.
<b>Step 2</b> a From the Paper Menu on the printer control panel, check the paper type and paper weight. b Resend the print job.  Do vertical voids appear on prints?	Go to step 3.	The problem is solved.
<b>Step 3</b> Check if you are using a recommended type of paper. a Load paper source with a recommended type of paper. b Resend the print job.  Do vertical voids appear on prints?	Go to step 4.	The problem is solved.

Action	Yes	No
<p><b>Step 4</b></p> <p><b>a</b> Remove, and then reinstall the imaging kit.</p> <p><b>Warning—Potential Damage:</b> Do not expose the imaging kit to direct light for more than 10 minutes. Extended exposure to light may cause print quality problems.</p> <p><b>Warning—Potential Damage:</b> Do not touch the underside of the imaging kit. This could damage the imaging kit.</p> <p><b>b</b> Resend the print job.</p> <p>Do vertical voids appear on prints?</p>	Go to step 5.	The problem is solved.
<p><b>Step 5</b></p> <p>Replace the imaging kit, and then resend the print job.</p> <p>Do vertical voids appear on prints?</p>	Contact <a href="#">customer support</a> .	The problem is solved.

## Color quality problems

### FAQ about color printing

#### What is RGB color?

Red, green, and blue light can be added together in various amounts to produce a large range of colors observed in nature. For example, red and green can be combined to create yellow. Televisions and computer monitors create colors in this manner. RGB color is a method of describing colors by indicating the amount of red, green, or blue needed to produce a certain color.

#### What is CMYK color?

Cyan, magenta, yellow, and black inks or toners can be printed in various amounts to produce a large range of colors observed in nature. For example, cyan and yellow can be combined to create green. Printing presses, inkjet printers, and color laser printers create colors in this manner. CMYK color is a method of describing colors by indicating the amount of cyan, magenta, yellow, and black needed to reproduce a particular color.

#### How is color specified in a document to be printed?

Software programs typically specify the document color using RGB or CMYK color combinations. Additionally, they let users modify the color of each object in a document. For more information, see the help information of your operating system.

#### How does the printer know what color to print?

When a user prints a document, information describing the type and color of each object is sent to the printer. The color information is passed through color conversion tables that translate the color into the appropriate amounts of cyan, magenta, yellow, and black toner needed to produce the color you want. The object information determines the application of color conversion tables. For example, it is possible to apply one type of color conversion table to text while applying a different color conversion table to photographic images.

### What is manual color correction?

When manual color correction is enabled, the printer employs user-selected color conversion tables to process objects. However, Color Correction must be set to Manual, or no user-defined color conversion will be implemented. Manual color correction settings are specific to the type of object being printed (text, graphics, or images), and how the color of the object is specified in the software program (RGB or CMYK combinations).

**Notes:**

- Manual color correction is not useful if the software program does not specify colors with RGB or CMYK combinations. It is also not effective in situations in which the software program or the computer operating system controls the adjustment of colors.
- When **Auto Color Correction** is selected, the color conversion tables will generate preferred colors used for the majority of the documents.

To manually apply a different color conversion table, do the following:

- 1 From the Quality menu on the printer control panel, select **Color Correction**, and then select **Manual**.
- 2 From the Quality menu on the printer control panel, select **Manual Color**, and then select the appropriate color conversion table for the affected object type.

Object type	Color conversion tables
RGB Image RGB Text RGB Graphics	<ul style="list-style-type: none"> <li>• <b>Vivid</b>—Produces brighter, more saturated colors and may be applied to all incoming color formats.</li> <li>• <b>sRGB Display</b>—Produces an output that approximates the colors displayed on a computer monitor. <b>Note:</b> Black toner usage is optimized for printing photographs.</li> <li>• <b>Display-True Black</b>—Produces an output that approximates the colors displayed on a computer monitor. This uses only black toner to create all levels of neutral gray.</li> <li>• <b>sRGB Vivid</b>—Provides an increased color saturation for the sRGB Display color correction. <b>Note:</b> Black toner usage is optimized for printing business graphics.</li> <li>• <b>Off</b>—No color correction is implemented.</li> </ul>
CMYK Image CMYK Text CMYK Graphics	<ul style="list-style-type: none"> <li>• <b>US CMYK</b>—Applies color correction to approximate the SWOP (Specifications for Web Offset Publishing) color output.</li> <li>• <b>Euro CMYK</b>—Applies color correction to approximate Euroscale color output.</li> <li>• <b>Vivid CMYK</b>—Increases the color saturation of the US CMYK color correction setting.</li> <li>• <b>Off</b>—No color correction is implemented.</li> </ul>

### How can I match a particular color (such as a corporate logo)?

Nine types of Color Samples sets are available from the Quality menu on the printer control panel. These are also available from the Color Samples page of the Embedded Web Server. Selecting any sample set generates a multiple-page printout consisting of hundreds of colored boxes. Either a CMYK or RGB combination is located on each box, depending on the table selected. The observed color of each box is obtained by passing the CMYK or RGB combination labeled on the box through the selected color conversion table.

By examining Color Samples sets, you can identify the box whose color is the closest to the color you want. The color combination labeled on the box can then be used for modifying the color of the object in a software program. For more information, see the help information of your operating system.

**Note:** Manual color correction may be necessary to utilize the selected color conversion table for the particular object.

Selecting which Color Samples set to use for a particular color-matching problem depends on the Color Correction setting being used, the type of object being printed, and how the color of the object is specified in the software program. When Color Correction is set to Off, the color is based on the print job information, and no color conversion is implemented.

**Note:** The Color Samples pages are not useful if the software program does not specify colors with RGB or CMYK combinations. Additionally, certain situations exist in which the software program or the computer operating system adjusts the RGB or CMYK combinations specified in the program through color management. The resulting printed color may not be an exact match of the Color Samples pages.

### **What are detailed color samples and how do I access them?**

Detailed color samples sets are available only through the Embedded Web Server of a network printer. A detailed Color Samples set contains a range of shades that are similar to a user-defined RGB or CMYK value. The likeness of the colors in the set is dependent on the value entered in the RGB or CMYK Increment box.

To access a detailed Color Samples set from the Embedded Web Server, do the following:

**1** Open a Web browser, and then type the printer IP address in the address field.

**Note:** If you do not know the IP address or printer name, then you can:

- View the information on the printer home screen, or in the TCP/IP section in the Networks/Ports menu.
- Print a network setup page or menu settings page, and then locate the information in the TCP/IP section.

**2** Click **Configuration > Color Samples > Detailed Options**.

**3** Select a color conversion table.

**4** Enter the RGB or CMYK color number.

**5** Enter an increment value from 1 to 255.

**Note:** The closer the value is to 1, the narrower the color sample range will appear.

**6** Click **Print**.



## Prints on color transparencies appear dark when projected

**Note:** This problem occurs when projecting transparencies with reflective overhead projectors. To obtain the highest projected color quality, transmissive overhead projectors are recommended.

Action	Yes	No
<p><b>Step 1</b> From the printer control panel, make sure the paper type setting is set to Transparency.</p> <p>Is the paper type setting correct?</p>	Go to step 2.	Set the paper type to Transparency.
<p><b>Step 2</b> Reduce the toner darkness, and then resend the print job.</p> <p>Does the print on the color transparency look lighter?</p>	The problem is solved.	Go to step 3.
<p><b>Step 3</b> Make sure you are using a recommended type of color transparency, and then resend the print job.</p> <p>Does the print on the color transparency look lighter?</p>	The problem is solved.	Contact <a href="#">customer support</a> .

## The color of the print does not match the color of the original file

**Note:** The color conversion tables used in Auto Color Correction mode generally approximate the colors of a standard computer monitor. However, because of technology differences that exist between printers and monitors, there are many colors that can also be affected by monitor variations and lighting conditions.

Action	Yes	No
<p><b>Step 1</b></p> <p><b>a</b> Set Color Correction to Off.</p> <p><b>Note:</b> When the printer color correction is disabled, the color is based on the print job information, and no color conversion is implemented.</p> <p><b>b</b> Resend the print job.</p> <p>Does the color of the print match the color of the file on the computer screen?</p>	The problem is solved.	Go to step 2.
<p><b>Step 2</b></p> <p>From the Quality menu on the printer control panel, do the following:</p> <p><b>a</b> Select <b>Color Correction</b>, and then select <b>Manual</b>.</p> <p><b>b</b> Select <b>Manual Color</b>, and then select the appropriate color conversion table for the affected object type.</p> <p><b>c</b> Resend the print job.</p> <p>Does the color of the print match the color of the file on the computer screen?</p>	The problem is solved.	Contact <a href="#">customer support</a> .

### The print appears tinted

Action	Yes	No
<p>Adjust the color balance.</p> <p><b>a</b> From the Color Balance menu on the printer control panel, increase or decrease the values for cyan, magenta, yellow, and black.</p> <p><b>b</b> Resend the print job.</p> <p>Does the print still appear tinted?</p>	<p>The problem is solved.</p>	<p>Contact <a href="#">customer support</a>.</p>

### Embedded Web Server does not open

Action	Yes	No
<p><b>Step 1</b></p> <p><b>a</b> Turn on the printer.</p> <p><b>b</b> Open a Web browser, and then type the printer IP address.</p> <p><b>c</b> Press <b>Enter</b>.</p> <p>Does the Embedded Web Server open?</p>	<p>The problem is solved.</p>	<p>Go to step 2.</p>
<p><b>Step 2</b></p> <p>Make sure the printer IP address is correct.</p> <p><b>a</b> View the printer IP address:</p> <ul style="list-style-type: none"> <li>From the TCP/IP section in the Network/Ports menu</li> <li>By printing a network setup page or menu settings page, and then finding the TCP/IP section</li> </ul> <p><b>Note:</b> An IP address appears as four sets of numbers separated by periods, such as 123.123.123.123.</p> <p><b>b</b> Open a Web browser, and then type the IP address.</p> <p><b>Note:</b> Depending on the network settings, you may need to type "<b>https://</b>" instead of "<b>http://</b>" before the printer IP address to access the Embedded Web Server.</p> <p><b>c</b> Press <b>Enter</b>.</p> <p>Does the Embedded Web Server open?</p>	<p>The problem is solved.</p>	<p>Go to step 3.</p>

Action	Yes	No
<p><b>Step 3</b></p> <p>Check if the network is working.</p> <p><b>a</b> Print a network setup page.</p> <p><b>b</b> Check the first section of the network setup page and confirm that the status is Connected.</p> <p><b>Note:</b> If the status is Not Connected, then the connection may be intermittent, or the network cable may be defective. Contact your system support person for a solution, and then print another network setup page.</p> <p><b>c</b> Open a Web browser, and then type the printer IP address.</p> <p><b>d</b> Press <b>Enter</b>.</p> <p>Does the Embedded Web Server open?</p>	<p>The problem is solved.</p>	<p>Go to step 4.</p>
<p><b>Step 4</b></p> <p>Check if the cable connections to the printer and print server are secure.</p> <p><b>a</b> Connect the cables properly. For more information, see the setup documentation that came with the printer.</p> <p><b>b</b> Open a Web browser, and then type the printer IP address.</p> <p><b>c</b> Press <b>Enter</b>.</p> <p>Does the Embedded Web Server open?</p>	<p>The problem is solved.</p>	<p>Go to step 5.</p>
<p><b>Step 5</b></p> <p>Temporarily disable the Web proxy servers.</p> <p>Proxy servers may block or restrict you from accessing certain Web sites including the Embedded Web Server.</p> <p>Does the Embedded Web Server open?</p>	<p>The problem is solved.</p>	<p>Contact your system support person.</p>

## Contacting customer support

Before contacting customer support, make sure to have the following information:

- Printer problem
- Error message
- Printer model type and serial number

Go to <http://support.lexmark.com> to receive e-mail or chat support, or browse through the library of manuals, support documentation, drivers, and other downloads.

Technical support via telephone is also available. In the U.S. or Canada, call 1-800-539-6275. For other countries or regions, go to <http://support.lexmark.com>.

# Notices

## Product information

Product name:

Lexmark CS510de, CS517de

Machine type:

5027

Model(s):

630

## Edition notice

November 2017

**The following paragraph does not apply to any country where such provisions are inconsistent with local law:** LEXMARK INTERNATIONAL, INC., PROVIDES THIS PUBLICATION "AS IS" WITHOUT WARRANTY OF ANY KIND, EITHER EXPRESS OR IMPLIED, INCLUDING, BUT NOT LIMITED TO, THE IMPLIED WARRANTIES OF MERCHANTABILITY OR FITNESS FOR A PARTICULAR PURPOSE. Some states do not allow disclaimer of express or implied warranties in certain transactions; therefore, this statement may not apply to you.

This publication could include technical inaccuracies or typographical errors. Changes are periodically made to the information herein; these changes will be incorporated in later editions. Improvements or changes in the products or the programs described may be made at any time.

References in this publication to products, programs, or services do not imply that the manufacturer intends to make these available in all countries in which it operates. Any reference to a product, program, or service is not intended to state or imply that only that product, program, or service may be used. Any functionally equivalent product, program, or service that does not infringe any existing intellectual property right may be used instead. Evaluation and verification of operation in conjunction with other products, programs, or services, except those expressly designated by the manufacturer, are the user's responsibility.

For Lexmark technical support, visit <http://support.lexmark.com>.

For information on supplies and downloads, visit [www.lexmark.com](http://www.lexmark.com).

© 2012 Lexmark International, Inc.

All rights reserved.

## GOVERNMENT END USERS

The Software Program and any related documentation are "Commercial Items," as that term is defined in 48 C.F.R. 2.101, "Computer Software" and "Commercial Computer Software Documentation," as such terms are used in 48 C.F.R. 12.212 or 48 C.F.R. 227.7202, as applicable. Consistent with 48 C.F.R. 12.212 or 48 C.F.R. 227.7202-1 through 227.7207-4, as applicable, the Commercial Computer Software and Commercial Software Documentation are licensed to the U.S. Government end users (a) only as Commercial Items and (b) with only those rights as are granted to all other end users pursuant to the terms and conditions herein.

## Trademarks

Lexmark, the Lexmark logo, MarkNet, AccuRead, and MarkVision are trademarks or registered trademarks of Lexmark International, Inc. in the United States and/or other countries.

Google Cloud Print is a trademark of Google Inc.

Mac and the Mac logo are trademarks of Apple Inc., registered in the U.S. and other countries.

Microsoft and Windows are either registered trademarks or trademarks of the Microsoft group of companies in the United States and other countries.

Mopria®, the Mopria® logo, and the Mopria® Alliance logo are registered trademarks and service marks of Mopria Alliance, Inc. in the United States and other countries. Unauthorized use is strictly prohibited.

PCL® is a registered trademark of the Hewlett-Packard Company. PCL is Hewlett-Packard Company’s designation of a set of printer commands (language) and functions included in its printer products. This printer is intended to be compatible with the PCL language. This means the printer recognizes PCL commands used in various application programs, and that the printer emulates the functions corresponding to the commands.

PostScript is a registered trademark of Adobe Systems Incorporated in the United States and/or other countries.

The following terms are trademarks or registered trademarks of these companies:

Albertus	The Monotype Corporation plc
Antique Olive	Monsieur Marcel OLIVE
Apple-Chancery	Apple Computer, Inc.
Arial	The Monotype Corporation plc
CG Times	Based on Times New Roman under license from The Monotype Corporation plc, is a product of Agfa Corporation
Chicago	Apple Computer, Inc.
Clarendon	Linotype-Hell AG and/or its subsidiaries
Eurostile	Nebiolo
Geneva	Apple Computer, Inc.
GillSans	The Monotype Corporation plc
Helvetica	Linotype-Hell AG and/or its subsidiaries
Hoefler	Jonathan Hoefler Type Foundry
ITC Avant Garde Gothic	International Typeface Corporation
ITC Bookman	International Typeface Corporation
ITC Mona Lisa	International Typeface Corporation
ITC Zapf Chancery	International Typeface Corporation
Joanna	The Monotype Corporation plc
Marigold	Arthur Baker
Monaco	Apple Computer, Inc.
New York	Apple Computer, Inc.
Oxford	Arthur Baker

Palatino	Linotype-Hell AG and/or its subsidiaries
Stempel Garamond	Linotype-Hell AG and/or its subsidiaries
Taffy	Agfa Corporation
Times New Roman	The Monotype Corporation plc
Univers	Linotype-Hell AG and/or its subsidiaries

All other trademarks are the property of their respective owners.

AirPrint and the AirPrint logo are trademarks of Apple, Inc.

## Federal Communications Commission (FCC) compliance information statement

This product has been tested and found to comply with the limits for a Class B digital device, pursuant to Part 15 of the FCC Rules. Operation is subject to the following two conditions: (1) this device may not cause harmful interference, and (2) this device must accept any interference received, including interference that may cause undesired operation.

The FCC Class B limits are designed to provide reasonable protection against harmful interference when the equipment is operated in a residential installation. This equipment generates, uses, and can radiate radio frequency energy and, if not installed and used in accordance with the instructions, may cause harmful interference to radio communications. However, there is no guarantee that interference will not occur in a particular installation. If this equipment does cause harmful interference to radio or television reception, which can be determined by turning the equipment off and on, the user is encouraged to try to correct the interference by one or more of the following measures:

- Reorient or relocate the receiving antenna.
- Increase the separation between the equipment and receiver.
- Connect the equipment into an outlet on a circuit different from that to which the receiver is connected.
- Consult your point of purchase or service representative for additional suggestions.

The manufacturer is not responsible for radio or television interference caused by using other than recommended cables or by unauthorized changes or modifications to this equipment. Unauthorized changes or modifications could void the user's authority to operate this equipment.

**Note:** To assure compliance with FCC regulations on electromagnetic interference for a Class B computing device, use a properly shielded and grounded cable such as Lexmark part number 1021231 for parallel attach or 1021294 for USB attach. Use of a substitute cable not properly shielded and grounded may result in a violation of FCC regulations.

Any questions regarding this compliance information statement should be directed to:

Director of Lexmark Technology & Services  
 Lexmark International, Inc.  
 740 West New Circle Road  
 Lexington, KY 40550  
 (859) 232-3000

## Licensing notices

All licensing notices associated with this product can be viewed from the root directory of the installation software CD.

## Noise emission levels

The following measurements were made in accordance with ISO 7779 and reported in conformance with ISO 9296.

**Note:** Some modes may not apply to your product.

1-meter average sound pressure, dBA	
Printing	50
Ready	16

Values are subject to change. See [www.lexmark.com](http://www.lexmark.com) for current values.

## Waste from Electrical and Electronic Equipment (WEEE) directive



The WEEE logo signifies specific recycling programs and procedures for electronic products in countries of the European Union. We encourage the recycling of our products.

If you have further questions about recycling options, visit the Lexmark Web site at [www.lexmark.com](http://www.lexmark.com) for your local sales office phone number.

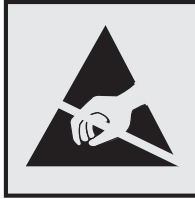
## India E-Waste notice

This product complies with the India E-Waste (Management and Handling) Rules, 2011, which prohibit use of lead, mercury, hexavalent chromium, polybrominated biphenyls, or polybrominated diphenyl ethers in concentrations exceeding 0.1% by weight and 0.01% by weight for cadmium, except for the exemption set in Schedule II of the Rules.

## Product disposal

Do not dispose of the printer or supplies in the same manner as normal household waste. Consult your local authorities for disposal and recycling options.

## Static sensitivity notice



This symbol identifies static-sensitive parts. Do not touch the areas near these symbols without first touching a metal surface in an area away from the symbol.

## ENERGY STAR

Any Lexmark product bearing the ENERGY STAR emblem on the product or on a start-up screen is certified to comply with Environmental Protection Agency (EPA) ENERGY STAR requirements as configured when shipped by Lexmark.



## Temperature information

Ambient operating temperature	15.6 to 32.2°C (60 to 90°F)
Shipping temperature	-40 to 43.3°C (-40 to 110°F)
Storage temperature and relative humidity	1 to 35°C (34 to 95°F) 8 to 80% RH

## Información de la energía de México

Consumo de energía en operación:

540 Wh

Consumo de energía en modo de espera:

0.2 Wh

Cantidad de producto por unidad de energía consumida:

2.78 páginas / Wh



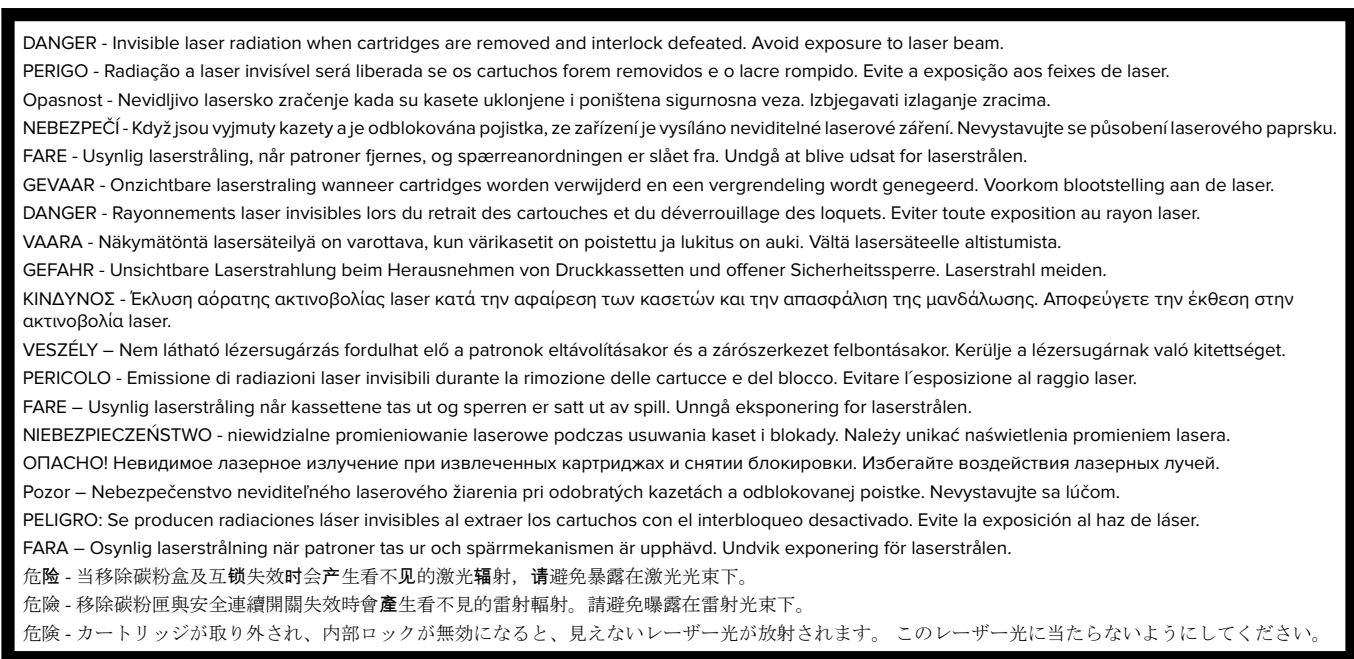
## Laser notice

The printer is certified in the U.S. to conform to the requirements of DHHS 21 CFR, Chapter I, Subchapter J for Class I (1) laser products, and elsewhere is certified as a Class I laser product conforming to the requirements of IEC 60825-1: 2014.

Class I laser products are not considered to be hazardous. The printer contains internally a Class IIIb (3b) laser that is nominally a 12-milliwatt gallium arsenide laser operating in the wavelength of 655–675 nanometers. The laser system and printer are designed so there is never any human access to laser radiation above a Class I level during normal operation, user maintenance, or prescribed service condition.

## Laser advisory label

A laser notice label may be affixed to this printer as shown:



## Power consumption

### Product power consumption

The following table documents the power consumption characteristics of the product.

**Note:** Some modes may not apply to your product.

Mode	Description	Power consumption (Watts)
Printing	The product is generating hard-copy output from electronic inputs.	580 (one-sided), 360 (two-sided)
Copy	The product is generating hard-copy output from hard-copy original documents.	N/A

Mode	Description	Power consumption (Watts)
Scan	The product is scanning hard-copy documents.	N/A
Ready	The product is waiting for a print job.	30
Sleep Mode	The product is in a high-level energy-saving mode.	3
Hibernate	The product is in a low-level energy-saving mode.	0.5
Off	The product is plugged into an electrical outlet, but the power switch is turned off.	0

The power consumption levels listed in the previous table represent time-averaged measurements. Instantaneous power draws may be substantially higher than the average.

Values are subject to change. See [www.lexmark.com](http://www.lexmark.com) for current values.

### Sleep Mode

This product is designed with an energy-saving mode called *Sleep Mode*. The Sleep Mode saves energy by lowering power consumption during extended periods of inactivity. The Sleep Mode is automatically engaged after this product is not used for a specified period of time, called the *Sleep Mode Timeout*.

Factory default Sleep Mode Timeout for this product (in minutes):	20
---	----

By using the configuration menus, the Sleep Mode Timeout can be modified between 1 minute and 120 minutes. Setting the Sleep Mode Timeout to a low value reduces energy consumption, but may increase the response time of the product. Setting the Sleep Mode Timeout to a high value maintains a fast response, but uses more energy.

### Hibernate Mode

This product is designed with an ultra-low power operating mode called *Hibernate mode*. When operating in Hibernate Mode, all other systems and devices are powered down safely.

The Hibernate mode can be entered in any of the following methods:

- Using the Hibernate Timeout
- Using the Schedule Power modes
- Using the Sleep/Hibernate button

Factory default Hibernate Timeout for this product in all countries or regions	3 days
--	--------

The amount of time the printer waits after a job is printed before it enters Hibernate mode can be modified between one hour and one month.

### Off mode

If this product has an off mode which still consumes a small amount of power, then to completely stop product power consumption, disconnect the power supply cord from the electrical outlet.

## Total energy usage

It is sometimes helpful to calculate the total product energy usage. Since power consumption claims are provided in power units of Watts, the power consumption should be multiplied by the time the product spends in each mode in order to calculate energy usage. The total product energy usage is the sum of each mode's energy usage.

## Industry Canada compliance statement

This Class B digital apparatus meets all requirements of the Canadian Interference-Causing Equipment Standard ICES-003.

## Avis de conformité aux normes de l'industrie du Canada

Cet appareil numérique de classe B est conforme aux exigences de la norme canadienne relative aux équipements pouvant causer des interférences NMB-003.

## 日本の VCCI 規定

製品にこのマークが表示されている場合、次の要件を満たしています。



この装置は、クラス B 情報技術装置です。この装置は、家庭環境で使用することを目的としていますが、この装置がラジオやテレビジョン受信機に近接して使用されると、受信障害を引き起こすことがあります。

取扱説明書に従って正しい取り扱いをしてください。

VCCI-B

## European Community (EC) directives conformity

This product is in conformity with the protection requirements of EC Council directives 2014/30/EU, 2014/35/EU, 2009/125/EC, and 2011/65/EU on the approximation and harmonization of the laws of the Member States relating to electromagnetic compatibility, safety of electrical equipment designed for use within certain voltage limits, the ecodesign of energy-related products, and on the restrictions of use of certain hazardous substances in electrical and electronic equipment.

The manufacturer of this product is: Lexmark International, Inc., 740 West New Circle Road, Lexington, KY, 40550 USA. The authorized representative is: Lexmark International Technology Hungária Kft., 8 Lechner Ödön fasor, Millennium Tower III, 1095 Budapest HUNGARY. A declaration of conformity to the requirements of the Directives is available upon request from the Authorized Representative or may be obtained at [www.lexmark.com/en\\_us/about/regulatory-compliance/european-union-declaration-of-conformity.html](http://www.lexmark.com/en_us/about/regulatory-compliance/european-union-declaration-of-conformity.html).

This product satisfies the Class B limits of EN 55022 and EN55032 and safety requirements of EN 60950-1 or EN 62368-1.

## **STATEMENT OF LIMITED WARRANTY FOR LEXMARK LASER PRINTERS, LEXMARK LED PRINTERS, AND LEXMARK MULTIFUNCTION LASER PRINTERS**

### **Lexmark International, Inc., Lexington, KY**

This limited warranty applies to the United States and Canada. For customers outside the U.S., refer to the country-specific warranty information that came with your product.

This limited warranty applies to this product only if it was originally purchased for your use, and not for resale, from Lexmark or a Lexmark Remarketer, referred to in this statement as “Remarketer.”

### **Limited warranty**

Lexmark warrants that this product:

- Is manufactured from new parts, or new and serviceable used parts, which perform like new parts
- Is, during normal use, free from defects in material and workmanship

If this product does not function as warranted during the warranty period, contact a Remarketer or Lexmark for repair or replacement (at Lexmark's option).

If this product is a feature or option, this statement applies only when that feature or option is used with the product for which it was intended. To obtain warranty service, you may be required to present the feature or option with the product.

If you transfer this product to another user, warranty service under the terms of this statement is available to that user for the remainder of the warranty period. You should transfer proof of original purchase and this statement to that user.

### **Limited warranty service**

The warranty period starts on the date of original purchase as shown on the purchase receipt and ends 12 months later provided that the warranty period for any supplies and for any maintenance items included with the printer shall end earlier if it, or its original contents, are substantially used up, depleted, or consumed. Fuser Units, Transfer/Transport Units, Paper Feed items, if any, and any other items for which a Maintenance Kit is available are substantially consumed when the printer displays a “Life Warning” or “Scheduled Maintenance” message for such item.

To obtain warranty service you may be required to present proof of original purchase. You may be required to deliver your product to the Remarketer or Lexmark, or ship it prepaid and suitably packaged to a Lexmark designated location. You are responsible for loss of, or damage to, a product in transit to the Remarketer or the Lexmark designated location.

When warranty service involves the exchange of a product or part, the item replaced becomes the property of the Remarketer or Lexmark. The replacement may be a new or repaired item.

The replacement item assumes the remaining warranty period of the original product.

Replacement is not available to you if the product you present for exchange is defaced, altered, in need of a repair not included in warranty service, damaged beyond repair, or if the product is not free of all legal obligations, restrictions, liens, and encumbrances.

As part of your warranty service and/or replacement, Lexmark may update the firmware in your printer to the latest version. Firmware updates may modify printer settings and cause counterfeit and/or unauthorized products, supplies, parts, materials (such as toners and inks), software, or interfaces to stop working. Authorized use of genuine Lexmark products will not be impacted.

Before you present this product for warranty service, remove all print cartridges, programs, data, and removable storage media (unless directed otherwise by Lexmark).

For further explanation of your warranty alternatives and the nearest Lexmark authorized servicer in your area contact Lexmark on the World Wide Web.

Remote technical support is provided for this product throughout its warranty period. For products no longer covered by a Lexmark warranty, technical support may not be available or only be available for a fee.

### **Extent of limited warranty**

Lexmark does not warrant uninterrupted or error-free operation of any product or the durability or longevity of prints produced by any product.

Warranty service does not include repair of failures caused by:

- Modification or unauthorized attachments
- Accidents, misuse, abuse or use inconsistent with Lexmark user's guides, manuals, instructions or guidance
- Unsuitable physical or operating environment
- Maintenance by anyone other than Lexmark or a Lexmark authorized servicer
- Operation of a product beyond the limit of its duty cycle
- Use of printing media outside of Lexmark specifications
- Refurbishment, repair, refilling or remanufacture by a third party of products, supplies or parts
- Products, supplies, parts, materials (such as toners and inks), software, or interfaces not furnished by Lexmark

**TO THE EXTENT PERMITTED BY APPLICABLE LAW, NEITHER LEXMARK NOR ITS THIRD PARTY SUPPLIERS OR REMARKETERS MAKE ANY OTHER WARRANTY OR CONDITION OF ANY KIND, WHETHER EXPRESS OR IMPLIED, WITH RESPECT TO THIS PRODUCT, AND SPECIFICALLY DISCLAIM THE IMPLIED WARRANTIES OR CONDITIONS OF MERCHANTABILITY, FITNESS FOR A PARTICULAR PURPOSE, AND SATISFACTORY QUALITY. ANY WARRANTIES THAT MAY NOT BE DISCLAIMED UNDER APPLICABLE LAW ARE LIMITED IN DURATION TO THE WARRANTY PERIOD. NO WARRANTIES, EXPRESS OR IMPLIED, WILL APPLY AFTER THIS PERIOD. ALL INFORMATION, SPECIFICATIONS, PRICES, AND SERVICES ARE SUBJECT TO CHANGE AT ANY TIME WITHOUT NOTICE.**

### **Limitation of liability**

Your sole remedy under this limited warranty is set forth in this document. For any claim concerning performance or nonperformance of Lexmark or a Remarketer for this product under this limited warranty, you may recover actual damages up to the limit set forth in the following paragraph.

Lexmark's liability for actual damages from any cause whatsoever will be limited to the amount you paid for the product that caused the damages. This limitation of liability will not apply to claims by you for bodily injury or damage to real property or tangible personal property for which Lexmark is legally liable. **IN NO EVENT WILL LEXMARK BE LIABLE FOR ANY LOST PROFITS, LOST SAVINGS, INCIDENTAL DAMAGE, OR OTHER ECONOMIC OR CONSEQUENTIAL DAMAGES.** This is true even if you advise Lexmark or a Remarketer of the possibility of such damages. Lexmark is not liable for any claim by you based on a third party claim.

This limitation of remedies also applies to claims against any Suppliers and Remarketers of Lexmark. Lexmark's and its Suppliers' and Remarketers' limitations of remedies are not cumulative. Such Suppliers and Remarketers are intended beneficiaries of this limitation.

**Additional rights**

Some states do not allow limitations on how long an implied warranty lasts, or do not allow the exclusion or limitation of incidental or consequential damages, so the limitations or exclusions contained above may not apply to you.

This limited warranty gives you specific legal rights. You may also have other rights that vary from state to state.

# Index

## Numerics

- 250-sheet tray
  - loading 42
- 550-sheet tray
  - installing 33
  - loading 42
- 650-sheet duo tray
  - installing 33
  - loading 42, 45

## Symbols

- [Color] cartridge low [88.xy] 164
- [Color] cartridge nearly low [88.xy] 164
- [Color] cartridge very low, [x] estimated pages remain [88.xy] 164
- [Type] imaging kit low [84.xy] 164
- [Type] imaging kit nearly low [84.xy] 164
- [Type] imaging kit very low, [x] estimated pages remain [84.xy] 164

## A

- accessing the Embedded Web Server 18
- Active NIC menu 81
- adding hardware options
  - print driver 36
- adding internal options
  - print driver 36
- adjusting brightness
  - Embedded Web Server 121
  - printer display 121
- Adjusting color 163
- adjusting Sleep mode 120
- adjusting toner darkness 63
- administrator settings
  - Embedded Web Server 152
- AirPrint
  - using 67
- AppleTalk menu 86
- applications
  - home screen 19
- attaching cables 36
- available internal options 23

- avoiding jams 59
- avoiding paper jams 156

## B

- Background and Idle Screen
  - using 20
- black-and-white printing 63
- buttons, printer control panel 14
- buttons, touch screen
  - using 16

## C

- cables
  - Ethernet 36
  - USB 36
- canceling a print job
  - from the computer 69
  - from the printer control panel 69
- cannot open Embedded Web Server 210
- card stock
  - loading 46
  - tips 56
- Change [paper source] to [custom string] 163
- Change [paper source] to [custom type name] 163
- Change [paper source] to [paper type] [paper size] 163
- checking an unresponsive printer 175
- checking status of parts and supplies 128
- checking the printer status
  - using the Embedded Web Server 152
- checking the status of parts and supplies 128
- checking the virtual display
  - using the Embedded Web Server 152
- cleaning
  - exterior of the printer 128
  - interior of the printer 128
- cleaning the printer 128
- Close door 163
- color quality troubleshooting
  - color of print and color on computer screen do not match 209
  - prints on color transparencies appear dark when projected 209
- color quality, troubleshooting
  - print appears tinted 210
- Complex page, some data may not have printed [39] 165
- confidential data
  - information on securing 126
- confidential jobs
  - modifying print settings 153
- confidential print jobs 68
- Confidential Print menu 90
- Configuration change, some held jobs were not restored [57] 165
- configuration information
  - wireless network 38
- configurations
  - printer 11
- Configure MP menu 74
- configuring
  - multiple printers 154
  - supply notifications, imaging kit 153
  - supply notifications, maintenance kit 153
  - supply notifications, toner cartridge 153
  - supply notifications, waste toner bottle 153
- configuring supply notifications
  - from the Embedded Web Server 153
- connecting to a wireless network
  - using PIN (Personal Identification Number) method 39
  - using Push Button Configuration method 39
  - using the Embedded Web Server 40
  - using wireless setup wizard 39
- conservation settings
  - brightness, adjusting 121

- Eco-Mode 118
- Hibernate mode 120
- Hibernate Timeout 120
- Quiet Mode 119
- Schedule Power Modes 121
- Sleep Mode 120
- conserving supplies 118
- contacting customer support 211
- control panel, printer
  - indicator light 14
  - Sleep button light 14
- controller board
  - accessing 23
- creating custom name
  - paper type 51
- Custom Names menu 80
- custom paper type name
  - assigning 51
- Custom Type [x]
  - creating custom name 51
- Custom Types menu 79
- customer support
  - contacting 211

## D

- Default Source menu 71
- Defective flash detected [51] 165
- developer unit
  - replacing 135, 144
- device and network settings
- information
  - erasing 125
- directory list
  - printing 69
- disk wiping 126
- display troubleshooting
  - printer display is blank 177
- display, printer control panel 14
  - adjusting brightness 121
- disposing of printer hard disk 124
- documents, printing
  - from a computer 63
  - from a mobile device 67

## E

- Eco-Mode setting 118
- Eco-Settings
  - about 21
- embedded solutions information
  - erasing 125

- Embedded Web Server 153
  - accessing 12, 18
  - administrator settings 152
  - checking printer status 152
  - checking the status of parts 128
  - checking the status of supplies 128
  - copying settings to other printers 154
  - functions 12
  - modifying confidential print settings 153
  - networking settings 152
  - problem accessing 210
  - using 12
- Embedded Web Server Administrator's Guide
  - where to find 126
- Embedded Web Server — Security: Administrator's Guide
  - where to find 152
- emission notices 214, 215, 219
- encrypting the printer hard disk 127
- envelopes
  - loading 46, 49
  - tips on using 55
- environmental settings
  - display brightness, adjusting 121
- Eco-Mode 118
- Hibernate mode 120
- Hibernate Timeout 120
- Quiet Mode 119
- Schedule Power Modes 121
- Sleep Mode 120
- Erase Temporary Data Files menu 91
- erasing hard disk memory 126
- erasing non-volatile memory 125
- erasing volatile memory 125
- Error reading USB drive. Remove USB. 165
- Error reading USB hub. Remove hub. 165
- Ethernet network
  - preparing to set up for Ethernet printing 37
- Ethernet port 36
- Ethernet setup
  - preparing for an 37

- exporting a configuration
  - using the Embedded Web Server 21
- exterior of the printer
  - cleaning 128

## F

- factory defaults
  - restoring 154
- FAQ about color printing 206
- FCC notices 214
- finding more information about the printer 9
- finding printer IP address 18
- Finishing menu 104
- firmware card 23
- flash drive
  - printing from 65
- Flash Drive menu 102
- flash drives
  - supported file types 66
- font sample list
  - printing 69
- forms
  - printing 63
- Forms and Favorites
  - setting up 20

## G

- General Settings menu 95
- Google Cloud Print
  - using 67
- green settings
  - Eco-Mode 118
  - Hibernate mode 120
  - Hibernate Timeout 120
  - Quiet Mode 119
  - Schedule Power Modes 121

## H

- hardware options, adding
  - print driver 36
- held jobs 68
  - printing from a Macintosh computer 68
  - printing from Windows 68
- held print jobs
  - printing from a Macintosh computer 68
  - printing from Windows 68
- Help menu 116



- Hibernate mode
  - using 120
- Hibernate Timeout
  - setting 120
- hiding icons on the home screen 19
- Home button 14
- home screen
  - buttons, understanding 15
  - customizing 19
  - hiding icons 19
  - showing icons 19
- home screen applications
  - configuring 19
  - finding information 19
- home screen buttons
  - understanding 15
- HTML menu 115

**I**

- icons on the home screen
  - hiding 19
  - showing 19
- Image menu 116
- imaging kit
  - replacing 135
- imaging kits
  - ordering 131
- importing a configuration
  - using the Embedded Web Server 21
- Incompatible tray [x] [59] 165
- Incorrect paper size, open [paper source] [34] 166
- indicator light 14
- individual settings information
  - erasing 125
- Insert Tray [x] 166
- installing an optional card 28
- installing options
  - order of installation 33
- installing printer hard disk 29
- installing the printer software 36
- Insufficient memory to collate job [37] 166
- Insufficient memory to support Resource Save feature [35] 166
- Insufficient memory, some Held Jobs were deleted [37] 166
- Insufficient memory, some held jobs will not be restored [37] 166

- interior of the printer
  - cleaning 128
- internal options 23
- internal options, adding
  - print driver 36
- IP address of computer
  - finding 18
- IP address, printer
  - finding 18
- IPv6 menu 85

**J**

- jams
  - avoiding 156
  - locating jam areas 157
  - locations 157
- jams, clearing
  - below the fuser 158
  - in the duplex unit 158
  - in the front door 158
  - in the manual feeder 161
  - in the multipurpose feeder 162
  - in the standard bin 158
  - in trays 160
- Job Accounting menu 109

**K**

- keypad 14

**L**

- labels, paper
  - tips 56
- letterhead
  - loading, multipurpose feeder 53
  - loading, trays 53
- Lexmark Mobile Print
  - using 67
- linking trays 50, 51
- Load [paper source] with [custom string] 167
- Load [paper source] with [custom type name] 167
- Load [paper source] with [paper size] 167
- Load [paper source] with [paper type] [paper size] 167
- Load Manual Feeder with [custom string] 168
- Load Manual Feeder with [custom type name] 168

- Load Manual Feeder with [paper size] 168
- Load Manual Feeder with [paper type] [paper size] 168
- loading
  - 250-sheet tray 42
  - 550-sheet tray 42
  - 650-sheet duo tray 42, 45
  - card stock 46
  - envelopes 46, 49
  - manual feeder 49
  - multipurpose feeder 46
  - transparencies 46
- loading letterhead
  - paper orientation 53
- lock, security 124

**M**

- Maintenance kit low [80.xy] 168
- Maintenance kit nearly low [80.xy] 168
- Maintenance kit very low [80.xy] 169
- manual feeder
  - loading 49
- Max Speed and Max Yield
  - using 64
- memory
  - types installed on printer 124
- memory card 23
  - installing 26
  - troubleshooting 177
- Memory full [38] 169
- menu settings
  - loading on multiple printers 154
- menu settings page
  - printing 41
- menus
  - Active NIC 81
  - AppleTalk 86
  - Confidential Print 90
  - Configure MP 74
  - Custom Names 80
  - Custom Types 79
  - Default Source 71
  - Erase Temporary Data Files 91
  - Finishing 104
  - Flash Drive 102
  - General Settings 95
  - Help 116
  - HTML 115
  - Image 116

- IPv6 85
  - Job Accounting 109
  - list 70
  - Miscellaneous 90
  - Network [x] 81
  - Network Card 83
  - Network Reports 83
  - Paper Loading 78
  - Paper Size/Type 71
  - Paper Texture 75
  - Paper Weight 76
  - PCL Emul 112
  - PDF 111
  - PostScript 111
  - Quality 106
  - Reports 80
  - Security Audit Log 92
  - Set Date/Time 92
  - Setup 93
  - SMTP Setup menu 89
  - Standard Network 81
  - Standard USB 87
  - Substitute Size 74
  - Supplies 70
  - TCP/IP 84
  - Universal Setup 80
  - Utilities 110
  - Wireless 86
  - XPS 111
  - menus list 70
  - Miscellaneous menu 90
  - mobile device
    - printing from 66, 67
  - Mopria Print Service
    - using 66
  - moving the printer 10, 150
  - multipurpose feeder
    - loading 46
- N**
- Network [x] menu 81
  - Network [x] software error [54] 169
  - Network Card menu 83
  - Network Reports menu 83
  - network settings
    - Embedded Web Server 152
  - network setup page
    - printing 41
  - Networking Guide
    - where to find 152
  - noise emission levels 215
  - Non-Lexmark [supply type], see User's Guide [33.xy] 169
  - non-volatile memory 124
    - erasing 125
  - Not enough free space in flash memory for resources [52] 169
  - notices 214, 215, 216, 217, 218, 219
  - number of remaining pages
    - estimate 129
- O**
- optional card
    - installing 28
  - options
    - 550-sheet tray 33
    - 650-sheet duo tray 33
    - firmware cards 23
    - memory card 26
    - memory cards 23
    - printer hard disk, installing 29
    - printer hard disk, removing 31
  - ordering
    - imaging kits 131
    - toner cartridges 129
    - waste toner bottle 131
- P**
- paper
    - characteristics 56
    - letterhead 58
    - preprinted forms 58
    - recycled 58
    - selecting 58
    - storing 59
    - unacceptable 57
    - Universal size setting 42
    - using recycled 118
  - paper feed troubleshooting
    - message remains after jam is cleared 181
  - paper jams
    - avoiding 156
  - paper jams, clearing
    - below the fuser 158
    - in the duplex unit 158
    - in the front door 158
    - in the manual feeder 161
    - in the multipurpose feeder 162
    - in the standard bin 158
    - in trays 160
  - Paper Loading menu 78
    - paper size
      - setting 42
  - Paper Size/Type menu 71
    - paper sizes
      - supported by the printer 59
  - Paper Texture menu 75
    - paper type
      - setting 42
    - paper types
      - supported by printer 62
      - where to load 62
  - Paper Weight menu 76
    - paper weights
      - supported by printer 62
  - parts
    - checking status 128
    - checking, on the printer control panel 128
    - checking, using the Embedded Web Server 128
    - using genuine Lexmark 129
  - PCL Emul menu 112
  - PDF menu 111
  - Personal Identification Number method
    - using 39
  - PostScript menu 111
  - power cord socket 36
  - preparing to set up the printer on an Ethernet network 37
  - print driver
    - hardware options, adding 36
  - print irregularities 194
  - print job
    - canceling from the computer 69
  - print quality
    - replacing a developer unit 144
    - replacing imaging kit 135
    - replacing the waste toner bottle 132
  - print quality troubleshooting
    - blank pages 198
    - characters have jagged edges 189
    - clipped pages or images 189
    - gray background on prints 190
    - horizontal voids appear on prints 191
    - print irregularities 194
    - print is too dark 195

- print is too light 196
- printer is printing solid black pages 198
- repeating print defects 186
- shadow images appear on prints 199
- skewed print 200
- streaked horizontal lines appear on prints 200
- streaked vertical lines appear on prints 202
- toner fog or background shading appears on prints 203
- toner rubs off 204
- toner specks appear on prints 204
- transparency print quality is poor 203
- uneven print density 205
- vertical voids appear on prints 205
- print troubleshooting
  - error reading flash drive 184
  - incorrect characters print 182
  - incorrect margins on prints 192
  - jammed pages are not reprinted 180
  - job prints from wrong tray 182
  - job prints on wrong paper 182
  - jobs do not print 185
  - Large jobs do not collate 183
  - multiple-language PDF files do not print 188
  - paper curl 193
  - paper frequently jams 180
  - print job takes longer than expected 186
  - printing slows down 184
  - tray linking does not work 187
  - unexpected page breaks occur 188
- printer
  - configurations 11
  - minimum clearances 10
  - models 11
  - moving 10, 150
  - selecting a location 10
  - shipping 151
- printer control panel
  - factory defaults, restoring 154
  - indicator light 14
  - parts 14
  - Sleep button light 14
  - using 14
- printer control panel, virtual display
  - using the Embedded Web Server 152
- Printer had to restart. Last job may be incomplete. 170
- printer hard disk
  - disposing of 124
  - encrypting 127
  - installing 29
  - removing 31
  - wiping 126
- printer hard disk encryption 127
- printer hard disk memory
  - erasing 126
- printer information
  - where to find 9
- printer IP address
  - finding 18
- printer is printing blank pages 198
- printer messages
  - [Color] cartridge low [88.xy] 164
  - [Color] cartridge nearly low [88.xy] 164
  - [Color] cartridge very low, [x] estimated pages remain [88.xy] 164
  - [Type] imaging kit low [84.xy] 164
  - [Type] imaging kit nearly low [84.xy] 164
  - [Type] imaging kit very low, [x] estimated pages remain [84.xy] 164
  - Adjusting color 163
  - Change [paper source] to [custom string] 163
  - Change [paper source] to [custom type name] 163
  - Change [paper source] to [paper type] [paper size] 163
  - Close door 163
  - Complex page, some data may not have printed [39] 165
  - Configuration change, some held jobs were not restored [57] 165
- Defective flash detected [51] 165
- Error reading USB drive. Remove USB. 165
- Error reading USB hub. Remove hub. 165
- Incompatible tray [x] [59] 165
- Incorrect paper size, open [paper source] [34] 166
- Insert Tray [x] 166
- Insufficient memory to collate job [37] 166
- Insufficient memory to support Resource Save feature [35] 166
- Insufficient memory, some Held Jobs were deleted [37] 166
- Insufficient memory, some held jobs will not be restored [37] 166
- Load [paper source] with [custom string] 167
- Load [paper source] with [custom type name] 167
- Load [paper source] with [paper size] 167
- Load [paper source] with [paper type] [paper size] 167
- Load Manual Feeder with [custom string] 168
- Load Manual Feeder with [custom type name] 168
- Load Manual Feeder with [paper size] 168
- Load Manual Feeder with [paper type] [paper size] 168
- Maintenance kit low [80.xy] 168
- Maintenance kit nearly low [80.xy] 168
- Maintenance kit very low [80.xy] 169
- Memory full [38] 169
- Network [x] software error [54] 169
- Non-Lexmark [supply type], see User's Guide [33.xy] 169
- Not enough free space in flash memory for resources [52] 169
- Printer had to restart. Last job may be incomplete. 170

- Reinstall missing or unresponsive [color] cartridge [31.xy] 170
  - Reload printed pages in Tray [x] 171
  - Remove defective disk [61] 171
  - Remove packaging material, [area name] 171
  - Remove paper from standard output bin 171
  - Replace [type] imaging kit, 0 estimated pages remain [84.xy] 171
  - Replace defective [color] cartridge [31.xy] 171
  - Replace maintenance kit [80.xy] 171
  - Replace missing [color] cartridge [31.xy] 172
  - Replace missing [type] imaging kit [31.xy] 172
  - Replace missing or unresponsive black and color imaging kit and all cartridges [31.xy] 170
  - Replace missing waste toner bottle [31.xyz] 172
  - Replace unsupported [color] cartridge [32.xy] 172
  - Replace unsupported black and color imaging kit [32.xy] 172
  - Replace waste toner bottle [82.xy] 173
  - Restore held jobs? 173
  - Some held jobs were not restored 173
  - Standard network software error [54] 173
  - Standard USB port disabled [56] 173
  - Supply needed to complete job 174
  - Too many flash options installed [58] 174
  - Too many trays attached [58] 174
  - Unformatted flash detected [53] 174
  - Unsupported USB hub, please remove 165
  - Waste toner bottle nearly full [82.xy] 175
  - printer options troubleshooting
    - internal option is not detected 178
    - memory card 177
    - tray problems 179
  - printer problems, solving basic 175
  - printer security
    - information on 126
  - printer software, installing 36
  - printer status
    - checking, using the Embedded Web Server 152
  - printing
    - black-and-white 63
    - canceling, from the printer control panel 69
    - directory list 69
    - font sample list 69
    - from a computer 63
    - from a mobile device 66, 67
    - from flash drive 65
    - Max Speed and Max Yield 64
    - menu settings page 41
    - network setup page 41
    - printing a directory list 69
    - printing a font sample list 69
    - printing a menu settings page 41
    - printing a network setup page 41
    - printing forms 63
    - printing from a flash drive 65
    - printing held jobs
      - from a Macintosh computer 68
      - from Windows 68
    - printing in black and white 63
    - publications
      - where to find 9
  - Push Button Configuration method
    - using 39
- Q**
- Quality menu 106
  - Quiet Mode 119
- R**
- recycled paper
    - using 58, 118
  - recycling
    - Lexmark packaging 122
    - Lexmark products 122
    - toner cartridges 122
  - reducing noise 119
  - Reinstall missing or unresponsive [color] cartridge [31.xy] 170
  - Reload printed pages in Tray [x] 171
  - remaining pages, number of estimate 129
  - Remote Operator Panel
    - setting up 21
  - Remove defective disk [61] 171
  - Remove packaging material, [area name] 171
  - Remove paper from standard output bin 171
  - removing printer hard disk 31
  - repeat print jobs 68
  - repeating print defects 186
  - Replace [type] imaging kit, 0 estimated pages remain [84.xy] 171
  - Replace defective [color] cartridge [31.xy] 171
  - Replace maintenance kit [80.xy] 171
  - Replace missing [color] cartridge [31.xy] 172
  - Replace missing [type] imaging kit [31.xy] 172
  - Replace missing or unresponsive black and color imaging kit and all cartridges [31.xy] 170
  - Replace missing waste toner bottle [31.xyz] 172
  - Replace unsupported [color] cartridge [32.xy] 172
  - Replace unsupported black and color imaging kit [32.xy] 172
  - Replace waste toner bottle [82.xy] 173
  - reports
    - viewing 152
  - Reports menu 80
  - reserve print jobs
    - printing from Windows 68
  - Restore held jobs? 173
  - restoring factory default settings 154
- S**
- safety information 6, 7, 8

- Schedule Power Modes
    - using 121
  - security
    - modifying confidential print settings 153
  - Security Audit Log menu 92
  - security lock 124
  - security lock port 36
  - security settings information
    - erasing 125
  - security Web page
    - where to find 126
  - selecting a location for the printer 10
  - selecting paper 58
  - Set Date/Time menu 92
  - setting
    - paper size 42
    - paper type 42
    - TCP/IP address 84
  - setting Hibernate Timeout 120
  - setting the Universal paper size 42
  - Setup menu 93
  - shipping the printer 151
  - showing icons on the home screen 19
  - Sleep button 14
  - Sleep Mode
    - adjusting 120
  - SMTP Setup menu 89
  - Some held jobs were not restored 173
  - Standard Network menu 81
  - Standard network software error [54] 173
  - standard tray
    - loading 42
  - Standard USB menu 87
  - Standard USB port disabled [56] 173
  - statement of volatility 124
  - status of parts
    - checking 128
  - status of supplies
    - checking 128
  - Stop or Cancel button 14
  - storing
    - paper 59
    - supplies 132
  - storing print jobs 68
  - streaked horizontal lines appear on prints 200
  - streaked vertical lines appear on prints 202
  - Substitute Size menu 74
  - supplies
    - checking status 128
    - checking, on the printer control panel 128
    - checking, using the Embedded Web Server 128, 152
    - conserving 118
    - storing 132
    - using genuine Lexmark 129
    - using recycled paper 118
  - Supplies menu 70
  - supplies, ordering
    - imaging kits 131
    - toner cartridges 129
    - waste toner bottle 131
  - Supply needed to complete job 174
  - supply notifications
    - configuring 153
  - supported flash drives 66
- T**
- TCP/IP menu 84
  - tips
    - card stock 56
    - labels, paper 56
    - on using envelopes 55
    - on using letterhead 53
    - transparencies 55
  - tips on using envelopes 55
  - tips on using letterhead 53
  - toner cartridges
    - ordering 129
    - recycling 122
    - replacing 142
  - toner darkness
    - adjusting 63
  - Too many flash options installed [58] 174
  - Too many trays attached [58] 174
  - touch screen
    - buttons, using 16
  - transparencies
    - loading 46
    - tips on using 55
  - trays
    - linking 50, 51
  - unlinking 50, 51
  - troubleshooting
    - an application error has occurred 181
    - cannot open Embedded Web Server 210
    - checking an unresponsive printer 175
    - FAQ about color printing 206
    - solving basic printer problems 175
  - troubleshooting, color quality
    - color of print and color on computer screen do not match 209
    - print appears tinted 210
    - prints on color transparencies appear dark when projected 209
  - troubleshooting, display
    - printer display is blank 177
  - troubleshooting, paper feed
    - message remains after jam is cleared 181
  - troubleshooting, print
    - error reading flash drive 184
    - incorrect characters print 182
    - incorrect margins on prints 192
    - jammed pages are not reprinted 180
    - job prints from wrong tray 182
    - job prints on wrong paper 182
    - jobs do not print 185
    - Large jobs do not collate 183
    - multiple-language PDF files do not print 188
    - paper curl 193
    - paper frequently jams 180
    - print job takes longer than expected 186
    - printing slows down 184
    - tray linking does not work 187
    - unexpected page breaks occur 188
  - troubleshooting, print quality
    - blank pages 198
    - characters have jagged edges 189
    - clipped pages or images 189
    - gray background on prints 190
    - horizontal voids appear on prints 191

- print irregularities 194
- print is too dark 195
- print is too light 196
- printer is printing solid black pages 198
- repeating print defects 186
- shadow images appear on prints 199
- skewed print 200
- streaked horizontal lines appear on prints 200
- streaked vertical lines appear on prints 202
- toner fog or background shading appears on prints 203
- toner rubs off 204
- toner specks appear on prints 204
- transparency print quality is poor 203
- uneven print density 205
- vertical voids appear on prints 205
- troubleshooting, printer options
  - internal option is not detected 178
  - memory card 177
  - tray problems 179

## U

- understanding the home screen 15
- uneven print density 205
- Unformatted flash detected [53] 174
- Universal Paper Size
  - setting 42
- Universal Setup menu 80
- unlinking trays 50, 51
- Unsupported USB hub, please remove 165
- USB port 14, 36
- using Hibernate mode 120
- using Max Speed and Max Yield 64
- using recycled paper 118
- using Schedule Power Modes 121
- using the Embedded Web Server 12
- using the printer control panel 14

- using the touch-screen buttons 16
- Utilities menu 110

## V

- verify print jobs 68
- vertical voids appear on prints 205
- viewing
  - reports 152
- virtual display
  - checking, using Embedded Web Server 152
- volatile memory 124
  - erasing 125
- volatility
  - statement of 124

## W

- waste toner bottle
  - ordering 131
  - replacing 132
- Waste toner bottle nearly full [82.xy] 175
- wiping printer hard disk 126
- Wireless menu 86
- wireless network
  - configuration information 38
- wireless network setup
  - using the Embedded Web Serve 40
- wireless setup wizard
  - using 39

## X

- XPS menu 111