

Color laser product



Lexmark CS748de



Color



4.3 inch touch screen



Solutions



Up to 35 ppm



Duplex



Network



Eco-mode



Security



USB



Flexible input

Founded in 1991 from an IBM heritage in Lexington, Kentucky, Lexmark is one of the few American companies to own, develop and market, monochrome and color laser print technologies. Lexmark is poised to deliver on its promise to produce quality, dependable products well into the future.

Robust high-quality color

Rely on the Lexmark CS748de color laser printer for the high-quality color printing essential to business.

- ▶ Match corporate colors with Lexmark Named Color Replacement and PANTONE® calibration
- ▶ The high-speed processor and Gigabit Ethernet networking mean fast data transfer and fast processing, even on complex color documents
- ▶ Print quickly at speeds up to 35 ppm and a time to first page as fast as nine seconds in both black and color
- ▶ Lexmark high-yield cartridges let you print up to 12,000 pages per cartridge in black and 10,000 pages per cartridge in color¹

Performance and productivity

The combination of easy-to-use features and reliable performance means business processes are intuitive and you are productive.

- ▶ The easy-to-use 4.3-inch (10.9-cm) color touch screen provides audible feedback and tablet-like navigation
- ▶ Expand input capacity with optional drawers that boost total input capacity up to 4,300 sheets
- ▶ Create custom messages to provide helpful information such as helpdesk telephone numbers and company communications
- ▶ Instead of installing individual drivers for each printer model, the Lexmark Universal Print Driver provides a standardized, one-driver solution

Business solutions

The Lexmark Embedded Solutions Framework (eSF) helps expand functionality, move information more efficiently throughout your business, lower costs and

- ▶ Quickly and efficiently access eSF solutions directly from the 4.3-inch (10.9-cm) color touch screen
- ▶ The optional hard disk provides the ability to store files on the device and run additional solutions with ease
- ▶ Pre-loaded solutions mean you can be productive and save time, money and paper—right out of the box
- ▶ Additional solutions are available for greater savings and productivity

¹ Average continuous black or composite CMY declared cartridge yield in accordance with ISO/IEC 19798.



Why Lexmark color?

The documents you print define an important image—yours. The Lexmark CS748de color laser printer is perfect for printing reports, marketing collateral and on-demand signage with brilliant color reproduction. So when you put a high-quality color document in a client's hands, you're advancing communication and your company's image at the same time.

Professional color quality

Color communicates, informs and persuades. Vibrant, expressive color also attracts attention and increases impact. In short, color is your brand—who you are. The Lexmark CS748de color laser printer is a color powerhouse. It offers repeatable, accurate color matching and features that create continuity from one document to the next.

- ▶ **Easy brand matching:** Match corporate colors on marketing collateral and logos with Lexmark Named Color Replacement. Simply enter specific color values for easy color matching, including company defined colors and PANTONE® color.
- ▶ **Money-saving color:** Color is business critical, but often it is seen as expensive or wasteful. Lexmark ColorCare Technology helps change that perception. Tools like User Quotas help you manage and make intelligent decisions about color printing.
- ▶ **Continuous color:** Print with confidence, knowing the Lexmark CS748de produces documents at optimum quality. Status screens and supply alerts notify you when toner is low, so you don't run out in the middle of a job.

Professional color performance

Whether you need one document or many, consistency is important. The Lexmark CS748de color laser printer delivers in all types of situations—last minute presentations, large print jobs for promotional events or constantly used forms. It can produce high-quality documents on a variety of media while helping you save money at the same time.

- ▶ **Consistent color across media:** Lexmark color technology gives you consistent, professional color on a variety of media types and sizes. Carry a consistent look across materials and show clients your true colors, no matter what you present to them.
- ▶ **Print on demand:** Eliminate waste. Don't print forms, marketing materials or other documents externally and store the paper versions. Instead, with the Forms and Favorites solution, store frequently required files online and print in-house and on demand.
- ▶ **On-the-fly updates:** Create custom color documents directly from the Lexmark CS748de. Use print preview and post-process job changes to make updates like removing a cover page or switching between simplex and duplex printing.





Lexmark CS748de solutions

Reduce unnecessary printing and simplify work processes through Lexmark solutions. The Lexmark Embedded Solutions Framework (eSF) enables you to add a wide range of software apps directly onto the device. Solutions are designed with your productivity in mind, helping you streamline—or even eliminate—paper-intensive business processes.

Lexmark CS748de built-in solutions

The following apps are available on the Lexmark CS748de color laser printer.



Forms and Favorites

Eliminate waste and inefficiencies associated with preprinted forms. Store frequently printed forms, marketing materials or other documents online, then print them on demand.



Eco-Settings

Print responsibly, save money and reduce waste with little effort. Choose from multiple print settings that help reduce energy, paper and toner consumption, using custom Eco-Settings.



Showroom

Display a customizable, scrolling slideshow on the color touch screen to communicate important messages to customers or employees while the device is in power save mode.



Change Background

Communicate to customers and employees and make the device truly your own. Customize the background or a timed idle screen to show one of the four preloaded backgrounds or any image you want, such as a photo or logo.

Lexmark CS748de additional solutions

In addition to the solutions built into the device, a diverse portfolio of additional Lexmark solutions is available to help accommodate your workflow needs.



Customer Support

Lets you send an email alert to your help desk or service provider to request service or support. Pertinent information about the device can be automatically attached to the email message.



QR Code Generator

This eSF application generates a Quick Response (QR) Code and displays it on the device user interface.



Device Quotas

Allows the administrator to configure user level quotas for print, scan, copy and outbound fax on devices with the optional hard disk.

Contact your Lexmark Business Solutions Dealer for additional solutions.



Easy brand matching

Consistently match branded colors and print marketing collateral inhouse with Lexmark Named Color Replacement.



Intuitive color touch screen

Operate your printer with ease and confidence using the 4.3-inch (10.9 cm) color touch screen that makes navigation smart and intuitive.



Lexmark CS748de color laser printer shown with the optional 550-sheet drawer, 2,000-sheet high capacity feeder and caster base.



Convenient updates

Preview documents and change output settings, such as two-sided printing, directly at the device.



Flexible input capacity

With the optional 550-sheet drawer, specialty media drawer and 2,000-sheet high capacity feeder, customize input options to meet your printing needs.



Optional hard drive

The optional hard drive increases productivity with job waiting and on-printer form and file storage.



Use less energy

The instant warm-up fuser reduces energy consumption and delivers a time to first page as fast as 9 seconds in both black and color.



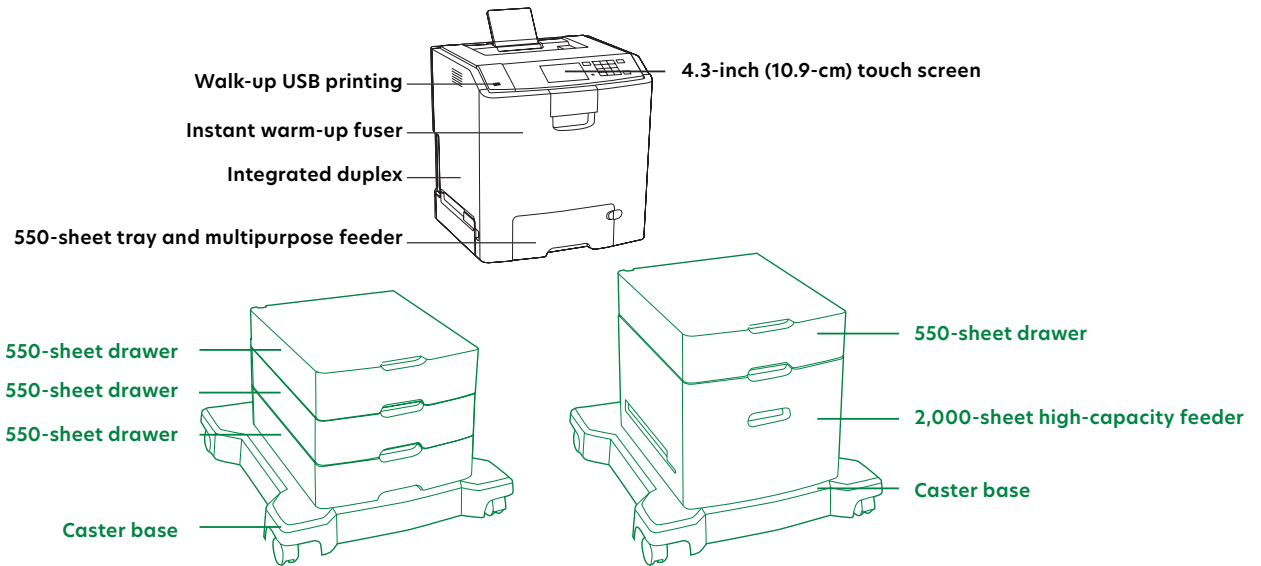
Walk-up USB printing

The front USB port allows for convenient walk-up printing of PDFs and many printable image file formats.



Multiple media support

Ultra-reliable paper feeding supports diverse media, including card stock, vinyl labels, banners and more.



- Standard
- Optional

Compatible with Lexmark CS748de color laser printer

Part #	Model	Part #	Memory options
41H0169	Lexmark CS748de	1025041	256MB DDR2-DRAM
		1025042	512MB DDR2-DRAM
		1025043	1024MB DDR2-DRAM
Part #	Laser toner/print cartridge	14F0245	256MB Flash card
24B5578	CS748 Black High Yield Return Program Toner Cartridge	27X0014	160+ GB Hard disk
24B5579	CS748 Cyan High Yield Return Program Toner Cartridge	30G0287	Arabic font card
24B5580	CS748 Magenta High Yield Return Program Toner Cartridge	30G0828	Japanese font card
24B5581	CS748 Yellow High Yield Return Program Toner Cartridge	30G0825	Korean font card
C734X20G	Photoconductor unit	30G0826	Simplified Chinese font card
C734X24G	Photoconductor unit, 4-pack	30G0827	Traditional Chinese font card
C734X77G	Waste toner box		
Part #	Paper handling	Part #	Application solutions
27S2100	550-sheet drawer	57X9000	Lexmark PrintCryption card
27S2400	2000-sheet high capacity feeder	41H0198	C748 card for IPDS
27S2650	550-sheet specialty media drawer	41H0199	C748 card for PRESCRIBE emulation
27S2190	4.8 inch (12.2 cm) spacer	41H0197	C748 Forms and barcode card
Part #	Furniture	Part #	Connectivity
30S2765	Swivel cabinet	27X0030	MarkNet N8250 802.11b/g/n Wireless Print Server
34T5114	C74x, X74x caster base	14F0037	MarkNet N8120 Gigabit Ethernet Print Server
		1021294	USB (2 Meter) cable
		14F0000	Parallel 1284-B interface card
		1021231	Parallel (10') cable
		14F0100	RS-232C serial interface card
		Part #	User replaceable parts
		40X5168	Pick tire
		40X5152	Pick tire, specialty media drawer
		40X8111	C74x, X74x fuser maintenance 220-240V
		40X8307	C74x, X74x transfer belt maintenance kit



Product specifications		Lexmark CS748de
Printing		
Display	Lexmark e-Task 4.3-inch (10.9 cm) color touch screen	
Print Speed: Up to	Black: 35 ppm / Color: 35 ppm	
Time to First Page: As fast as	Black: 9 seconds / Color: 9 seconds	
Print Resolution	Black: 1200 x 1200 dpi, 4800 Color Quality (2400 x 600 dpi) / Color: 1200 x 1200 dpi, 4800 Color Quality (2400 x 600 dpi)	
Memory / Processor	Standard: 512 MB / Maximum: 1536 MB / 800 MHz	
Hard Disk	Option available	
Recommended Monthly Page Volume ⁴	2500 - 10000 pages	
Maximum Monthly Duty Cycle: Up to ⁵	100000 pages per month	
Supplies		
Photoconductor Estimated Yield: Up to ⁶	20,000 pages, based on 3 average letter/A4-size pages per print job and ~ 5% coverage	
Cartridge(s) Shipping with Product ⁷	10,000-page color (CMY) High Yield Return Program Toner Cartridges, 12,000-page Black High Yield Return Program Toner Cartridge	
Paper Handling		
Paper Input Capacity: Up to	Standard: 650 pages 20 lb or 75 gsm bond / Maximum: 4300 (Add 3 of 550-Sheet Drawers and 2,000 Sheet High-Capacity Feeder on swivel cabinet) pages 20 lb or 75 gsm bond	
Paper Output Capacity: Up to	Standard: 300 pages 20 lb or 75 gsm bond / Maximum: 300 pages 20 lb or 75 gsm bond	
Media Types Supported	Card Stock, Envelopes, Paper Labels, Plain Paper, Transparencies, Vinyl Labels, Refer to the Card Stock & Label Guide.	
Media Sizes Supported	10 Envelope, 7 3/4 Envelope, 9 Envelope, A4, A5, B5 Envelope, C5 Envelope, DL Envelope, B5, Executive, Folio, JIS-B5, Legal, Letter, Statement, Universal, Oficio, A6	
General Information		
Standard Ports	USB 2.0 Specification Hi-Speed Certified (Type B), Front USB 2.0 Specification Hi-Speed Certified Port (Type A), Rear USB 2.0 Specification Hi-Speed Certified Port (Type A), Ethernet 10/100/1000 BaseTX (RJ-45)	
Optional Network Ports / Optional Local Ports	Internal MarkNet™ N8120 Gigabit Ethernet, Internal MarkNet™ N8250 802.11b/g/n Wireless / Internal RS-232C serial, Internal 1284-B Bidirectional Parallel	
Noise Level: Operating	Print: 55 dBA	
Specified Operating Environment	Temperature: 16 to 32°C (60 to 90°F), Humidity: 8 to 80% Relative Humidity, Altitude: 0 - 3048 Meters (10,000 Feet)	
Size (in. - H x W x D) / Weight (lb.)	17.9 x 17.1 x 15.7 in. / 56.4 lb.	

¹10,000*-page color High Yield Toner Cartridges (CMY) ²*Yield at approximately 5% coverage per color ³12,000*-page Black High Yield Toner Cartridge ⁴"Recommended Monthly Page Volume" is a range of pages that helps customers evaluate Lexmark's product offerings based on the average number of pages customers plan to print on the device each month. Lexmark recommends that the number of pages per month be within the stated range for optimum device performance, based on factors including: supplies replacement intervals, paper loading intervals, speed, and typical customer usage. ⁵"Maximum Monthly Duty Cycle" is defined as the maximum number of pages a device could deliver in a month using a multishift operation. This metric provides a comparison of robustness in relation to other Lexmark printers and MFPs. ⁶Actual Yield may vary based on other factors such as device speed, paper size and feed orientation, toner coverage, tray source, percentage of black-only printing and average print job complexity. ⁷Average continuous black or continuous composite CMY declared cartridge yield up to this number of standard pages in accordance with ISO/IEC 19798. Actual yield may vary according to customer usage.