



Lexmark CS827de



CS827de

Colour printer with amazing speed and built-in business solutions

High-performance workgroup printing and professional-quality colour distinguish the Lexmark CS827de, making it a great value in features, supplies and service. With print speeds up to 57 pages per minute, built-in business solutions, stunning and accurate colour printing, input capacity of 650 sheets (expandable to 4,500 sheets), a recommended monthly volume up to 25,000 pages, PANTONE® colour calibration, 10.9 cm colour e-Task touch screen, keypad and Gigabit networking, the CS827de provides production-level capacity and quality.

Quad-core power delivers pages fast

Thanks to a 1.33 GHz quad-core processor and generous 1GB of memory (expandable up to 3GB), even complex documents with graphics and images print quickly. The CS827de can deliver the first colour page in as little as 7 seconds.

Lexmark colour-matching tools and PANTONE calibration deliver rich, consistent colour printing so you can save time and money by producing your colour documents and prints in-house.



Colour



Solutions



Up to 57 ppm



10.9 cm touch screen



Security



Network



Mobility



Duplex

Security. Confidential Print.

Extensive network security features and protocols protect your device, information and network from unauthorised access.

Keep your sensitive documents safe by enabling the Confidential Print feature, which requires entering a customised, unique PIN on the device's keypad before the document can be printed.

Compatible with leading mobile print platforms

Print from mobile devices using an optional Wi-Fi adapter or Lexmark's free Mobile Print app. The CS827de is AirPrint®-certified and includes support for iOS, Android and Microsoft® Windows Mobile printing. It is also Mopria®-certified and Google Cloud Print™ Ready.



4-year Guarantee

Given the choice, wouldn't you prefer to buy a device that protects your investment with a guarantee? The affordable CS827de is so well made, we back it with a guarantee that covers repair actions including the cost of spare parts if they are needed in the first four years*. The guarantee also offers you free 24-hour online support and access to technical support by phone during working hours.

*Offer applies if the product is registered within 90 days from the date of purchase. Supplies and/or consumable parts, such as fuser or transfer unit, are excluded. Please refer to the detailed terms and conditions available at lexmark.com/myguarantee

Large colour e-Task touch screen can be customised for each user

The e-Task interface transforms the CS827de into your own personal gateway to use time-saving solutions, customised shortcuts and workflows.

Simply authenticate at the printer and you immediately see your own personalized 10.9 cm screen with all of the one-touch shortcuts you've created using your preferred settings.

Monitor jobs and supplies on the touch screen or from a remote location via the CS827de's web interface.

Software solutions increase productivity and save money

Lexmark's Embedded Solutions Framework (eSF) allows the CS827de to load and run software solutions tailored to your specific need or industry, to avoid having to develop and host your own applications.

The CS827de runs a wide range of optional eSF applications created by Lexmark, its partners and customers to solve specific challenges. Simply select and load an eSF app and run it directly on the device, eliminating the need to manage server-based applications.

User-friendly

The CS827de is simple to install, easy to use and offers full compatibility with nearly every operating system and network, so you'll be up and running in minutes. It's built to last, so you'll easily be able to print up to 25,000 pages per month, thanks to our state-of-the-art paper handling technology and long-life consumables.

The Lexmark print system and Unison™ Toner ensure consistent print quality throughout the life of the cartridge to prevent wasted prints.

Lexmark's Mobile Print app for iOS and Android devices provides a simple and consistent user experience for printing from mobile devices. It features simple printer discovery and mobile print options.

A front USB port lets you print PDF and other image files directly from a flash drive and store scanned documents.

Eco-friendly

Built-in two-sided printing reduces paper use. The instant warm-up fuser saves energy and delivers the first printed page as fast as 7 seconds. Select an energy-saving mode (Quiet, Hibernate or Eco) to automatically minimise noise and energy consumption.

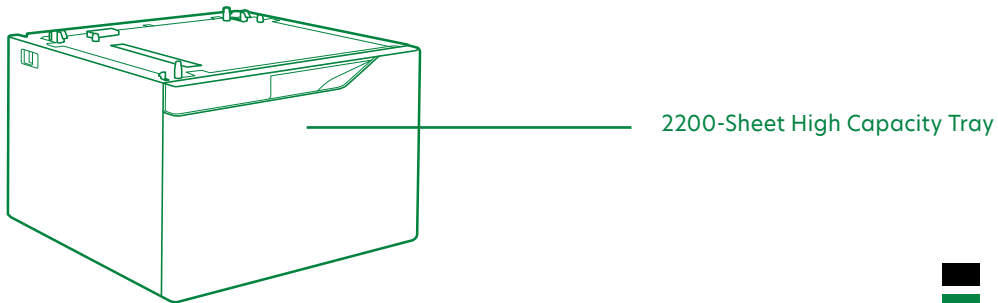
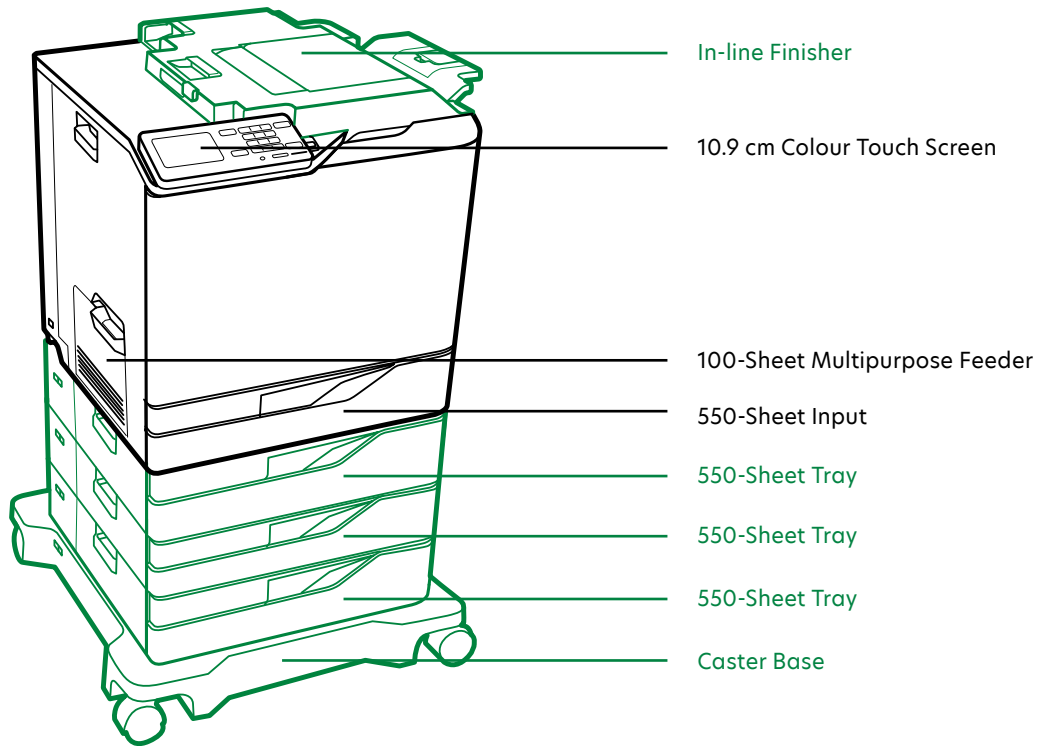
Through the Lexmark Cartridge Collection Program, Lexmark offers a free and easy way to return your empty cartridges for sustainable recycling or remanufacturing.

Product specifications		Lexmark CS827de
Printing		
Display	Lexmark e-Task 4.3-inch (10.9 cm) colour touch screen	
Print Speed: Up to ⁶	Black: 57 ppm / Colour: 57 ppm	
Time to First Page: As fast as	Black: 7 seconds / Colour: 7 seconds	
Print Resolution	Black: 1200 x 1200 dpi, 4800 Color Quality (2400 x 600 dpi) / Colour: 1200 x 1200 dpi, 4800 Color Quality (2400 x 600 dpi)	
Memory	Standard: 1024 MB / Maximum: 3072 MB	
Hard Disk	Option available	
Recommended Monthly Page Volume ²	2500 - 25000 pages	
Maximum Monthly Duty Cycle: Up to ³	200000 pages per month	
Supplies⁷		
Laser Cartridge Yields (up to) ¹	20,000-page Black Cartridge, 15,000-page Colour (CMY) Cartridges	
Photoconductor Estimated Yield: Up to ⁵	175000 pages, based on 3 average letter/A4-size pages per print job and ~ 5% coverage	
Developer Unit(s) Estimated Yield: Up to ⁵	300000 pages, based on 3 average letter/A4-size pages per print job and ~ 5% coverage	
Cartridge(s) Shipping with Product ¹	8,000-page Black Starter Return Program Toner Cartridge, 5,000-page Colour (CMY) Starter Return Program Toner Cartridges	
Paper Handling		
Included Paper Handling	550-Sheet Input, 100-Sheet Multipurpose Feeder, Integrated Duplex, 500-Sheet Output Bin	
Optional Paper Handling	550-Sheet Tray, Inline Stapler, 2200-Sheet Tray	
Paper Input Capacity: Up to	Standard: 650 pages 75 gsm bond / Maximum: 4500 pages 75 gsm bond	
Paper Output Capacity: Up to	Standard: 500 pages 75 gsm bond / Maximum: 500 pages 75 gsm bond	
Media Types Supported	Card Stock, Dual Web Labels, Envelopes, Labels, Plain Paper, Polyester Labels, Vinyl Labels, Banner Paper, Refer to the Paper & Specialty Media Guide	
Media Sizes Supported	10 Envelope, 7 3/4 Envelope, 9 Envelope, A4, A5, B5 Envelope, C4 Envelope, C5 Envelope, DL Envelope, Index Card, Executive, Folio, JIS-B5, Legal, Letter, 4 x 6", Statement, Universal, Oficio, A6	
General Information⁴		
Standard Ports	One Internal Card Slot, USB 2.0 Specification Hi-Speed Certified (Type B), Gigabit Ethernet (10/100/1000), Front USB 2.0 Specification Hi-Speed Certified port (Type A), Two Rear USB 2.0 Specification Hi-Speed Certified ports (Type A)	
Optional Network Ports	Internal MarkNet N8360 802.11b/g/n Wireless, NFC	
Noise Level: Operating	Print: 56 dBA	
Specified Operating Environment	Humidity: 15 to 80% Relative Humidity, Temperature: 10 to 32°C (50 to 90°F), Altitude: 0 - 2896 Meters (9,500 Feet)	
Product Guarantee ⁸	4 Years Guarantee SMB Line	
Size (mm - H x W x D) / Weight	535.9 x 558.8 x 522.4 mm / 62.3 kg	
Part Number	21KC232	

¹Average continuous black or continuous composite CMY declared cartridge yield up to this number of standard pages in accordance with ISO/IEC 19798. ²Recommended Monthly Page Volume² is a range of pages that helps customers evaluate Lexmark's product offerings based on the average number of pages customers plan to print on the device each month. Lexmark recommends that the number of pages per month be within the stated range for optimum device performance, based on factors including: supplies replacement intervals, paper loading intervals, speed, and typical customer usage. ³Maximum Monthly Duty Cycle³ is defined as the maximum number of pages a device could deliver in a month using a multishift operation. This metric provides a comparison of robustness in relation to other Lexmark printers and MFPs. ⁴Printers are sold subject to certain license/agreement conditions. See www.lexmark.com/printerlicense for details. ⁵Actual Yield may vary based on other factors such as device speed, paper size and feed orientation, toner coverage, tray source, percentage of black-only printing and average print job complexity. ⁶Print and copy speeds measured in accordance with ISO/IEC 24734 and ISO/IEC 24735 respectively (ESAT). For more information see: www.lexmark.com/ISOspeeds. ⁷Product functions only with replacement cartridges designed for use in a specific geographical region. See www.lexmark.com/regions for more details. ⁸Offer applies if the product is registered within 90 days from the date of purchase. Supplies and/or consumable parts, such as fuser or transfer unit, are excluded. Please refer to the detailed terms and conditions available at lexmark.com/myguarantee.

This is a Class A device according to the FCC Rules and EN 55022/EN 55032 emissions standards. This device is not intended for use in residential or domestic environments due to potential interference to radio communications.

Colour laser printer



■ Standard
■ Optional