



# **CS921, CS923, CS927 Printers**

---

## **User's Guide**

**May 2020**

**[www.lexmark.com](http://www.lexmark.com)**

---

Machine type(s):

5059

Models:

130, 530

# Contents

- Safety information.....7**
  - Conventions.....7
  - Product statements.....7
  
- Learning about the printer..... 10**
  - Finding information about the printer..... 10
  - Selecting a location for the printer..... 11
  - Printer configurations..... 12
  - Attaching cables..... 14
  - Using the control panel..... 15
  - Understanding the status of the power button and indicator light..... 16
  - Using the home screen.....16
  - Printing the Menu Settings Page..... 17
  
- Setting up and using the home screen applications..... 18**
  - Customizing the home screen..... 18
  - Using Display Customization.....18
  - Configuring Eco-Settings..... 19
  - Managing bookmarks..... 19
  - Managing contacts..... 20
  
- Setting up and using the accessibility features..... 22**
  - Enabling Magnification mode..... 22
  - Activating Voice Guidance.....22
  - Adjusting the Voice Guidance speech rate.....22
  - Adjusting the default internal speaker volume..... 22
  - Adjusting the default headphone volume..... 23
  - Enabling spoken passwords or personal identification numbers..... 23
  - Navigating the screen using gestures..... 23
  - Using the keyboard on the display.....24
  
- Loading paper and specialty media..... 25**
  - Setting the size and type of the specialty media.....25
  - Configuring Universal paper settings..... 25
  - Loading trays..... 25

Loading the 2500-sheet tray..... 28

Loading the 3000-sheet tray..... 30

Loading the multipurpose feeder.....32

Linking trays.....33

Paper Support.....34

**Printing.....40**

Printing from a computer.....40

Printing from a mobile device..... 40

    Printing from a mobile device using Lexmark Mobile Print..... 40

    Printing from a mobile device using Google Cloud Print..... 40

    Printing from a mobile device using Mopria Print Service ..... 40

    Printing from a mobile device using AirPrint..... 41

    Printing from a mobile device using Wi-Fi Direct® ..... 41

Printing from a flash drive..... 42

Supported flash drives and file types.....43

Configuring confidential jobs..... 43

Printing confidential and other held jobs..... 44

Printing a font sample list..... 45

Printing a directory list..... 45

Canceling a print job..... 45

**Understanding the printer menus.....46**

Menu map.....46

Device.....47

    Preferences.....47

    Eco-Mode ..... 48

    Remote Operator Panel ..... 48

    Notifications ..... 48

    Power Management ..... 51

    Information Sent to Lexmark ..... 51

    Accessibility ..... 52

    Restore Factory Defaults ..... 53

    Maintenance ..... 53

    Visible Home Screen Icons..... 56

    About this Printer..... 56

Print..... 57

    Layout..... 57

    Finishing..... 58

    Setup..... 59

    Quality ..... 60

Job Accounting .....	62
XPS.....	63
PDF.....	63
PostScript.....	63
PCL .....	64
HTML .....	66
Image.....	66
Paper.....	67
Tray Configuration.....	67
Media Configuration.....	67
Bin Configuration.....	68
USB Drive.....	69
Flash Drive Print.....	69
Network/Ports.....	71
Network Overview .....	71
Wireless.....	72
Ethernet.....	75
TCP/IP .....	76
SNMP .....	77
IPSec.....	78
802.1x.....	79
LPD Configuration .....	80
HTTP/FTP Settings.....	80
USB .....	81
Restrict external network access .....	82
Google Cloud Print.....	82
Wi-Fi Direct.....	82
Security.....	83
Login Methods .....	83
Schedule USB Devices .....	84
Security Audit Log .....	85
Login Restrictions .....	87
Confidential Print Setup.....	87
Disk Encryption .....	88
Erase Temporary Data Files.....	89
Solutions LDAP Settings.....	89
Miscellaneous.....	89
Reports.....	90
Menu Settings Page.....	90
Device.....	90
Print.....	90
Network.....	90
Help.....	91



---

Troubleshooting.....	91
Troubleshooting.....	91
<b>Securing the printer.....</b>	<b>92</b>
Locating the security slot.....	92
Erasing printer memory.....	92
Erasing printer hard disk memory.....	92
Encrypting the printer hard disk.....	93
Restoring factory default settings.....	93
Statement of Volatility.....	93
<b>Maintaining the printer.....</b>	<b>95</b>
Networking.....	95
Setting up serial printing (Windows only).....	98
Cleaning printer parts.....	98
Ordering parts and supplies.....	102
Replacing parts and supplies.....	105
Moving the printer.....	127
Saving energy and paper.....	128
Recycling.....	129
<b>Clearing jams.....</b>	<b>130</b>
Avoiding jams.....	130
Identifying jam locations.....	131
Paper jam in the multipurpose feeder.....	132
Paper jam in door C.....	132
Paper jam in door D.....	136
Paper jam in the 3000-sheet tray.....	137
Paper jam in the booklet finisher.....	138
Paper jam in the staple finisher.....	142
Staple jam in the staple finisher.....	144
Staple jam in the staple, hole punch finisher.....	146
Staple jam in the booklet finisher.....	148
<b>Troubleshooting.....</b>	<b>150</b>
Network connection problems.....	150
Hardware options problems.....	152
Issues with supplies.....	153

Paper feed problems..... 154  
Printing problems..... 157  
Color quality problems..... 181  
Contacting customer support..... 184

**Upgrading and migrating.....185**

Hardware..... 185  
Software..... 228  
Firmware..... 229

**Notices..... 230**

**Index..... 240**

# Safety information

## Conventions

**Note:** A *note* identifies information that could help you.

**Warning:** A *warning* identifies something that could damage the product hardware or software.

**CAUTION:** A *caution* indicates a potentially hazardous situation that could injure you.

Different types of caution statements include:



**CAUTION—POTENTIAL INJURY:** Indicates a risk of injury.



**CAUTION—SHOCK HAZARD:** Indicates a risk of electrical shock.



**CAUTION—HOT SURFACE:** Indicates a risk of burn if touched.



**CAUTION—TIPPING HAZARD:** Indicates a crush hazard.



**CAUTION—PINCH HAZARD:** Indicates a risk of being caught between moving parts.

## Product statements



**CAUTION—POTENTIAL INJURY:** To avoid the risk of fire or electrical shock, connect the power cord to an appropriately rated and properly grounded electrical outlet that is near the product and easily accessible.



**CAUTION—POTENTIAL INJURY:** To avoid the risk of fire or electrical shock, use only the power cord provided with this product or the manufacturer's authorized replacement.



**CAUTION—POTENTIAL INJURY:** Do not use this product with extension cords, multioutlet power strips, multioutlet extenders, or UPS devices. The power capacity of these types of accessories can be easily overloaded by a laser printer and may result in a risk of fire, property damage, or poor printer performance.



**CAUTION—POTENTIAL INJURY:** Only a Lexmark Inline Surge Protector that is properly connected between the printer and the power cord provided with the printer may be used with this product. The use of non-Lexmark surge protection devices may result in a risk of fire, property damage, or poor printer performance.












**CAUTION—SHOCK HAZARD:** To avoid the risk of electrical shock, do not place or use this product near water or wet locations.





**CAUTION—SHOCK HAZARD:** To avoid the risk of electrical shock, do not set up this product or make any electrical or cabling connections, such as the power cord, fax feature, or telephone, during a lightning storm.



**CAUTION—POTENTIAL INJURY:** Do not cut, twist, bind, crush, or place heavy objects on the power cord. Do not subject the power cord to abrasion or stress. Do not pinch the power cord between objects such as furniture and walls. If any of these things happen, a risk of fire or electrical shock results. Inspect the power cord regularly for signs of such problems. Remove the power cord from the electrical outlet before inspecting it.

-  **CAUTION—SHOCK HAZARD:** To avoid the risk of electrical shock, make sure that all external connections (such as Ethernet and telephone system connections) are properly installed in their marked plug-in ports.
-  **CAUTION—SHOCK HAZARD:** To avoid the risk of electrical shock, if you are accessing the controller board or installing optional hardware or memory devices sometime after setting up the printer, then turn the printer off, and unplug the power cord from the electrical outlet before continuing. If you have any other devices attached to the printer, then turn them off as well, and unplug any cables going into the printer.
-  **CAUTION—SHOCK HAZARD:** To avoid the risk of electrical shock when cleaning the exterior of the printer, unplug the power cord from the electrical outlet and disconnect all cables from the printer before proceeding.
-  **CAUTION—POTENTIAL INJURY:** If the printer weight is greater than 20 kg (44 lb), then it may require two or more people to lift it safely.
-  **CAUTION—POTENTIAL INJURY:** When moving the printer, follow these guidelines to avoid personal injury or printer damage:
- Make sure that all doors and trays are closed.
  - Turn off the printer, and then unplug the power cord from the electrical outlet.
  - Disconnect all cords and cables from the printer.
  - If the printer has separate floor-standing optional trays or output options attached to it, then disconnect them before moving the printer.
  - If the printer has a caster base, then carefully roll it to the new location. Use caution when passing over thresholds and breaks in flooring.
  - If the printer does not have a caster base but is configured with optional trays or output options, then remove the output options and lift the printer off the trays. Do not try to lift the printer and any options at the same time.
  - Always use the handholds on the printer to lift it.
  - Any cart used to move the printer must have a surface able to support the full footprint of the printer.
  - Any cart used to move the hardware options must have a surface able to support the dimensions of the options.
  - Keep the printer in an upright position.
  - Avoid severe jarring movements.
  - Make sure that your fingers are not under the printer when you set it down.
  - Make sure that there is adequate clearance around the printer.
-  **CAUTION—TIPPING HAZARD:** Installing one or more options on your printer or MFP may require a caster base, furniture, or other feature to prevent instability causing possible injury. For more information on supported configurations, see [www.lexmark.com/multifunctionprinters](http://www.lexmark.com/multifunctionprinters).
-  **CAUTION—TIPPING HAZARD:** To reduce the risk of equipment instability, load each tray separately. Keep all other trays closed until needed.
-  **CAUTION—HOT SURFACE:** The inside of the printer might be hot. To reduce the risk of injury from a hot component, allow the surface to cool before touching it.
-  **CAUTION—PINCH HAZARD:** To avoid the risk of a pinch injury, use caution in areas marked with this label. Pinch injuries may occur around moving parts, such as gears, doors, trays, and covers.

 **CAUTION—POTENTIAL INJURY:** This product uses a laser. Use of controls or adjustments or performance of procedures other than those specified in the *User's Guide* may result in hazardous radiation exposure.

 **CAUTION—POTENTIAL INJURY:** The lithium battery in this product is not intended to be replaced. There is a danger of explosion if a lithium battery is incorrectly replaced. Do not recharge, disassemble, or incinerate a lithium battery. Discard used lithium batteries according to the manufacturer's instructions and local regulations.

This equipment is not suitable for use in locations where children are likely to be present.

This product is designed, tested, and approved to meet strict global safety standards with the use of specific manufacturer's components. The safety features of some parts may not always be obvious. The manufacturer is not responsible for the use of other replacement parts.

Refer service or repairs, other than those described in the user documentation, to a service representative.


This product uses a printing process that heats the print media, and the heat may cause the media to release emissions. You must understand the section in your operating instructions that discusses the guidelines for selecting print media to avoid the possibility of harmful emissions.


This product may produce small amounts of ozone during normal operation, and may be equipped with a filter designed to limit ozone concentrations to levels well below the recommended exposure limits. To avoid high ozone concentration levels during extensive usage, install this product in a well-ventilated area and replace the ozone and exhaust filters if instructed to do so in the product maintenance instructions. If there are no references to filters in the product maintenance instructions, then there are no filters requiring replacement for this product.

**SAVE THESE INSTRUCTIONS.**

# Learning about the printer


## Finding information about the printer


What are you looking for?	Find it here
Initial setup instructions: <ul style="list-style-type: none"> <li>• Connecting the printer</li> <li>• Installing the printer software</li> </ul>	See the setup documentation that came with the printer or go to <a href="http://support.lexmark.com">http://support.lexmark.com</a> .
More setup and instructions for using the printer: <ul style="list-style-type: none"> <li>• Selecting and storing paper and specialty media</li> <li>• Loading paper</li> <li>• Configuring printer settings</li> <li>• Viewing and printing documents and photos</li> <li>• Setting up and using the printer software</li> <li>• Configuring the printer on a network</li> <li>• Caring for and maintaining the printer</li> <li>• Troubleshooting and solving problems</li> </ul>	<i>Information Center</i> —Go to <a href="http://infoserve.lexmark.com">http://infoserve.lexmark.com</a> . <i>Help Menu Pages</i> —Access the guides on the printer firmware or go to <a href="http://support.lexmark.com">http://support.lexmark.com</a> . <i>Touch Screen Guide</i> —Go to <a href="http://support.lexmark.com">http://support.lexmark.com</a> . Product videos—Go to <a href="http://infoserve.lexmark.com/idv/">http://infoserve.lexmark.com/idv/</a> .
Information on setting up and configuring the accessibility features of your printer	<i>Lexmark Accessibility Guide</i> —Go to <a href="http://support.lexmark.com">http://support.lexmark.com</a> .
Help using the printer software	Help for Microsoft Windows or Macintosh operating systems—Open a printer software program or application, and then click <b>Help</b> .  Click  to view context-sensitive information.  <b>Notes:</b> <ul style="list-style-type: none"> <li>• Help is automatically installed with the printer software.</li> <li>• Depending on the operating system, the printer software is located in the printer program folder or on the desktop.</li> </ul>

What are you looking for?	Find it here
<p>The latest supplemental information, updates, and customer support:</p> <ul style="list-style-type: none"> <li>• Documentation</li> <li>• Driver downloads</li> <li>• Live chat support</li> <li>• E-mail support</li> <li>• Voice support</li> </ul>	<p>Go to <a href="http://support.lexmark.com">http://support.lexmark.com</a>.</p> <p><b>Note:</b> Select your country or region, and then select your product to view the appropriate support site.</p> <p>Support contact information for your country or region can be found on the website or on the printed warranty that came with the printer.</p> <p>Have the following information ready when you contact customer support:</p> <ul style="list-style-type: none"> <li>• Place and date of purchase</li> <li>• Machine type and serial number</li> </ul> 
<ul style="list-style-type: none"> <li>• Safety information</li> <li>• Regulatory information</li> <li>• Warranty information</li> <li>• Environmental information</li> </ul>	<p>Warranty information varies by country or region:</p> <ul style="list-style-type: none"> <li>• <b>In the U.S.</b>—See the Statement of Limited Warranty included with the printer, or go to <a href="http://support.lexmark.com">http://support.lexmark.com</a>.</li> <li>• <b>In other countries and regions</b>—See the printed warranty that came with the printer.</li> </ul> <p><i>Product Information Guide</i>—See the documentation that came with the printer or go to <a href="http://support.lexmark.com">http://support.lexmark.com</a>.</p>

## Selecting a location for the printer

- Leave enough room to open trays, covers, and doors and to install hardware options.
- Set up the printer near an electrical outlet.

 **CAUTION—POTENTIAL INJURY:** To avoid the risk of fire or electrical shock, connect the power cord to an appropriately rated and properly grounded electrical outlet that is near the product and easily accessible.

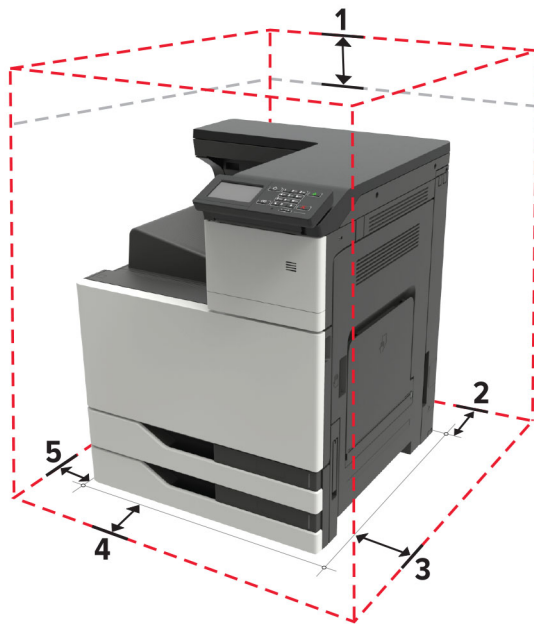
 **CAUTION—SHOCK HAZARD:** To avoid the risk of electrical shock, do not place or use this product near water or wet locations.

- Make sure that airflow in the room meets the latest revision of the ASHRAE 62 standard or the CEN Technical Committee 156 standard.
- Provide a flat, sturdy, and stable surface.
- Keep the printer:
  - Clean, dry, and free of dust
  - Away from stray staples and paper clips

- Away from the direct airflow of air conditioners, heaters, or ventilators
- Free from direct sunlight and humidity extremes
- Observe the recommended temperatures and avoid fluctuations.

Ambient temperature	10 to 30°C (50 to 86°F)
Storage temperature	-10 to 40°C (14 to 104°F)

- Allow the following recommended amount of space around the printer for proper ventilation:



1	Top	150 mm (5.9 in.)
2	Rear	120 mm (4.8 in.)
3	Right side	400 mm (15.7 in.)
4	Front	444.5 mm (17.5 in.)
5	Left side	120 mm (4.8 in.)

## Printer configurations

**Note:** Make sure to configure the printer on a flat, sturdy, and stable surface.




## Basic model



1	Control panel
2	Multipurpose feeder
3	Standard 2 x 500-sheet tray
4	Standard bin

## Configured model

 **CAUTION—TIPPING HAZARD:** Installing one or more options on your printer or MFP may require a caster base, furniture, or other feature to prevent instability causing possible injury. For more information on supported configurations, see [www.lexmark.com/multifunctionprinters](http://www.lexmark.com/multifunctionprinters).



<b>1</b>	Staple finisher <b>Notes:</b> <ul style="list-style-type: none"> <li>• This option is not supported if another finisher is installed.</li> <li>• This option is supported only in some printer models.</li> </ul>
<b>2</b>	Optional 3000-sheet tray <b>Note:</b> This option is supported only if another optional tray is installed.
<b>3</b>	Optional 2 x 500-sheet tray
<b>4</b>	Optional 2500-sheet tray
<b>5</b>	Finisher <ul style="list-style-type: none"> <li>• Staple, hole punch finisher</li> <li>• Booklet finisher</li> </ul>

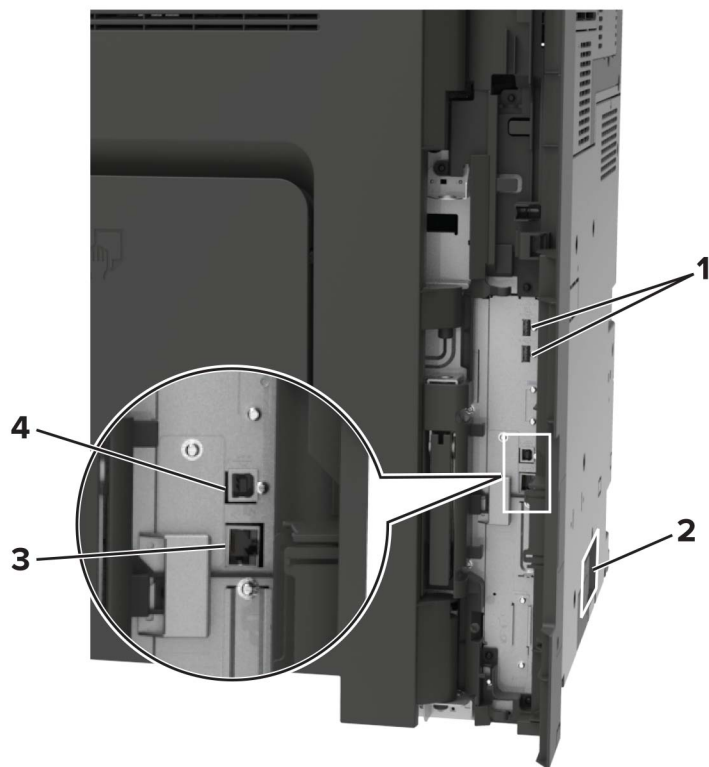
## Attaching cables

**⚡ CAUTION—SHOCK HAZARD:** To avoid the risk of electrical shock, do not set up this product or make any electrical or cabling connections, such as the power cord, fax feature, or telephone, during a lightning storm.

**⚠ CAUTION—POTENTIAL INJURY:** To avoid the risk of fire or electrical shock, connect the power cord to an appropriately rated and properly grounded electrical outlet that is near the product and easily accessible.

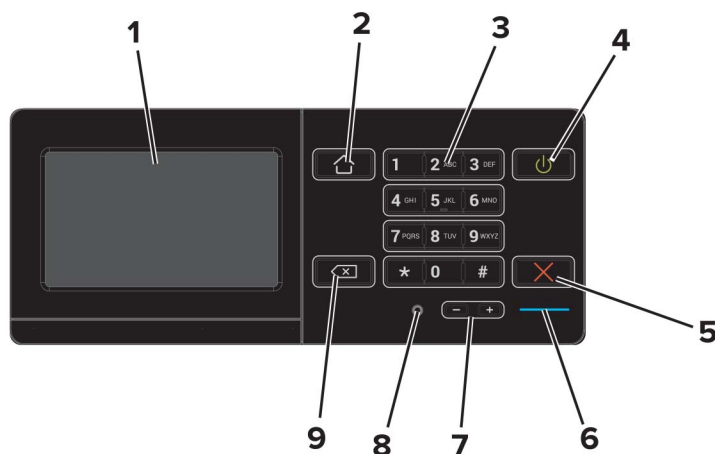
**⚠ CAUTION—POTENTIAL INJURY:** To avoid the risk of fire or electrical shock, use only the power cord provided with this product or the manufacturer's authorized replacement.

**Warning—Potential Damage:** To avoid loss of data or printer malfunction, do not touch the USB cable, any wireless network adapter, or the printer in the areas shown while actively printing.



	Use the	To
1	USB ports	Attach a keyboard or any compatible option.
2	Power cord socket	Connect the printer to a properly grounded electrical outlet.
3	Ethernet port	Connect the printer to an Ethernet network.
4	USB printer port	Connect the printer to a computer.

## Using the control panel



	Use the	To
1	Display	<ul style="list-style-type: none"> <li>View the printer messages and supply status.</li> <li>Set up and operate the printer.</li> </ul>
2	Home button	Go to the home screen.
3	Keypad	Enter numbers or symbols in an input field.
4	Power button	<ul style="list-style-type: none"> <li>Turn on or turn off the printer.</li> </ul> <p><b>Note:</b> To turn off the printer, press and hold the power button for five seconds.</p> <ul style="list-style-type: none"> <li>Set the printer to Sleep or Hibernate mode.</li> <li>Wake the printer from Sleep or Hibernate mode.</li> </ul>
5	Stop or Cancel button	Stop the current job.
6	Indicator light	Check the status of the printer.
7	Volume buttons	Adjust the volume of the headset or speaker.
8	Headset or speaker port	Attach a headset or speaker.
9	Backspace button	Move the cursor backward and delete a character in an input field.

## Understanding the status of the power button and indicator light

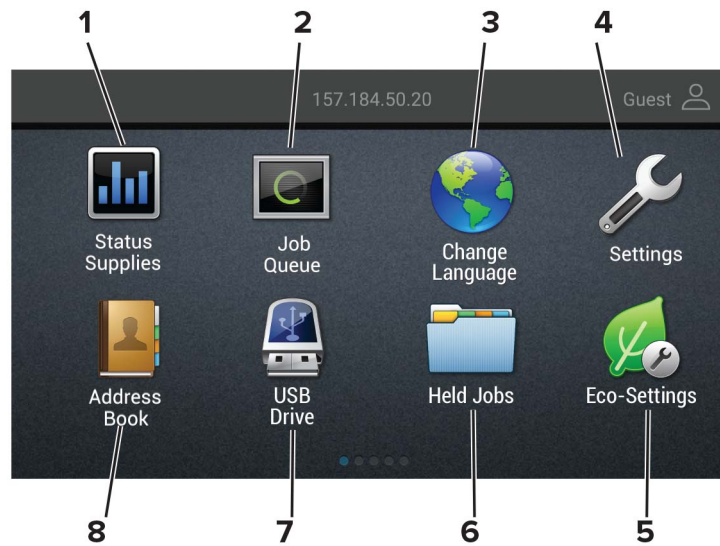
Indicator light	Printer status
Off	The printer is off or in Hibernate mode.
Blue	The printer is ready or processing data.
Red	The printer requires user intervention.

Power button light	Printer status
Off	The printer is off, ready, or processing data.
Solid amber	The printer is in Sleep mode.
Blinking amber	The printer is in Hibernate mode.

## Using the home screen

**Note:** Your home screen may vary depending on your home screen customization settings, administrative setup, and active embedded solutions.



Touch		To
1	Status/Supplies	<ul style="list-style-type: none"> <li>Show a warning or error message whenever the printer requires intervention to continue processing.</li> <li>View more information on the printer warning or message, and on how to clear it.</li> </ul> <p><b>Note:</b> You can also access this setting by touching the top section of the home screen.</p>
2	Job Queue	Show all the current print jobs. <b>Note:</b> You can also access this setting by touching the top section of the home screen.
3	Change Language	Change the language on the display.
4	Settings	Access the printer menus.
5	Eco-Settings	Manage energy consumption, noise, toner, and paper usage settings.
6	Held Jobs	Show the print jobs that are held in the printer memory.
7	USB Drive	Print photos and documents from a flash drive.
8	Address Book	Manage a contact list that other applications on the printer can access.

## Printing the Menu Settings Page

From the home screen, touch **Settings > Reports > Menu Settings Page**.

# Setting up and using the home screen applications

## Customizing the home screen

- 1 From the control panel, touch **Settings > Device > Visible Home Screen Icons**.
- 2 Select the icons that you want to appear on the home screen.
- 3 Apply the changes.

## Using Display Customization

Before using the application, make sure to do the following:

- From the Embedded Web Server, click **Apps > Display Customization > Configure**.
- Enable and configure the screen saver, slideshow, and wallpaper settings.

### Managing screen saver and slide show images

- 1 From the Screen Saver and Slideshow Images section, add, edit, or delete an image.

**Notes:**

- You can add up to 10 images.
- When enabled, the status icons appear on the screen saver only when there are errors, warnings, or cloud-based notifications.

- 2 Apply the changes.

### Changing the wallpaper image

- 1 From the home screen, touch **Change Wallpaper**.
- 2 Select an image to use.
- 3 Apply the changes.

### Running a slide show from a flash drive

- 1 Insert a flash drive into the USB port.
- 2 From the home screen, touch **Slideshow**.

Images appear in alphabetical order.

**Note:** You can remove the flash drive after the slide show starts, but the images are not stored in the printer. If the slide show stops, then insert the flash drive again to view the images.

## Configuring Eco-Settings

- 1 From the home screen, touch **Eco-Settings**.
- 2 Configure Eco-Mode or Schedule Power Modes.
- 3 Apply the changes.

## Managing bookmarks

### Creating bookmarks

Use bookmarks to print frequently accessed documents that are stored in servers or on the web.

- 1 Open a web browser, and then type the printer IP address in the address field.

**Notes:**

- View the printer IP address on the printer home screen. The IP address appears as four sets of numbers separated by periods, such as 123.123.123.123.
- If you are using a proxy server, then temporarily disable it to load the web page correctly.

- 2 Click **Bookmarks > Add Bookmark**, and then type a bookmark name.

- 3 Select an Address protocol type, and then do one of the following:

- For HTTP and HTTPS, type the URL that you want to bookmark.
- For HTTPS, make sure to use the host name instead of the IP address. For example, type **myWebsite.com/sample.pdf** instead of typing **123.123.123.123/sample.pdf**. Make sure that the host name also matches the Common Name (CN) value in the server certificate. For more information on obtaining the CN value in the server certificate, see the help information for your web browser.
- For FTP, type the FTP address. For example, **myServer/myDirectory**. Enter the FTP port. Port 21 is the default port for sending commands.
- For SMB, type the network folder address. For example, **myServer/myShare/myFile.pdf**. Type the network domain name.
- If necessary, select the Authentication type for FTP and SMB.

To limit access to the bookmark, enter a PIN.

**Note:** The application supports the following file types: PDF, JPEG, TIFF, and HTML-based web pages. Other file types such as DOCX and XLXS are supported in some printer models.

- 4 Click **Save**.

### Creating folders

- 1 Open a web browser, and then type the printer IP address in the address field.

**Notes:**

- View the printer IP address on the printer home screen. The IP address appears as four sets of numbers separated by periods, such as 123.123.123.123.

- If you are using a proxy server, then temporarily disable it to load the web page correctly.

**2** Click **Bookmarks > Add Folder**, and then type a folder name.

**Note:** To limit access to the folder, enter a PIN.

**3** Click **Save**.

**Note:** You can create folders or bookmarks inside a folder. To create a bookmark, see [“Creating bookmarks” on page 19](#).

## Managing contacts

### Adding contacts

**1** Open a web browser, and then type the printer IP address in the address field.

**Notes:**

- View the printer IP address on the printer home screen. The IP address appears as four sets of numbers separated by periods, such as 123.123.123.123.
- If you are using a proxy server, then temporarily disable it to load the web page correctly.

**2** Click **Address Book**.

**3** From the Contacts section, add a contact.

**Note:** You can assign the contact to one or more groups.

**4** If necessary, specify a login method to allow application access.

**5** Apply the changes.

### Adding groups

**1** Open a web browser, and then type the printer IP address in the address field.

**Notes:**

- View the printer IP address on the printer home screen. The IP address appears as four sets of numbers separated by periods, such as 123.123.123.123.
- If you are using a proxy server, then temporarily disable it to load the web page correctly.

**2** Click **Address Book**.

**3** From the Contact Groups section, add a group name.

**Note:** You can assign one or more contacts to the group.

**4** Apply the changes.

### Editing contacts or groups

**1** Open a web browser, and then type the printer IP address in the address field.



**Notes:**

- View the printer IP address on the printer home screen. The IP address appears as four sets of numbers separated by periods, such as 123.123.123.123.
- If you are using a proxy server, then temporarily disable it to load the web page correctly.

**2** Click **Address Book**.

**3** Do either of the following:

- From the Contacts section, click a contact name, and then edit the information.
- From the Contact Groups section, click a group name, and then edit the information.

**4** Apply the changes.

## Deleting contacts or groups

**1** Open a web browser, and then type the printer IP address in the address field.

**Notes:**

- View the printer IP address on the printer home screen. The IP address appears as four sets of numbers separated by periods, such as 123.123.123.123.
- If you are using a proxy server, then temporarily disable it to load the web page correctly.

**2** Click **Address Book**.

**3** Do either of the following:

- From the Contacts section, select a contact that you want to delete.
- From the Contact Groups section, select a group name that you want to delete.

# Setting up and using the accessibility features

## Enabling Magnification mode

- 1 From the control panel, press and hold the **5** key until you hear a voice message.
- 2 Select **Magnification mode**.
- 3 Select **OK**.

For more information on navigating a magnified screen, see [“Navigating the screen using gestures” on page 23](#).

## Activating Voice Guidance

### From the control panel

- 1 Press and hold the **5** key until you hear a voice message.
- 2 Select **OK**.

### From the keyboard

- 1 Press and hold the **5** key until you hear a voice message.
- 2 Press **Tab** to navigate the focus cursor to the OK button, and then press **Enter**.

### Notes:

- Voice Guidance is also activated when you insert headphones into the headphone jack.
- To adjust the volume, use the volume buttons at the bottom part of the control panel.

## Adjusting the Voice Guidance speech rate

- 1 From the home screen, select **Settings > Device > Accessibility > Speech Rate**.
- 2 Select the speech rate.

## Adjusting the default internal speaker volume

- 1 From the control panel, navigate to:  
**Settings > Device > Preferences > Audio Feedback**
- 2 Adjust the volume.

### Notes:

- If Quiet Mode is enabled, then audible alerts are turned off. This setting also slows the printer performance.

- The volume resets to the default value after the session is logged out or when the printer wakes from Sleep or Hibernate mode.

## Adjusting the default headphone volume

1 From the control panel, navigate to:

**Settings > Device > Accessibility**

2 Adjust the headphone volume.

**Note:** The volume resets to the default value after the session is logged out or when the printer wakes from Sleep or Hibernate mode.

## Enabling spoken passwords or personal identification numbers

1 From the home screen, select **Settings > Device > Accessibility > Speak Passwords/PINs**.

2 Enable the setting.

## Navigating the screen using gestures

### Notes:

- The gestures are applicable only when Voice Guidance is activated.
- Enable Magnification to use the zoom and pan gestures.
- Use a physical keyboard to type characters and adjust certain settings.

Gesture	Function
Double-tap	Select an option or item on the screen.
Triple-tap	Zoom in or zoom out text and images.
Swipe right or swipe down	Move to the next item on the screen.
Swipe left or swipe up	Move to the previous item on the screen.
Pan	Access parts of the zoomed image that are beyond the limits of the screen. <b>Note:</b> This gesture requires the use of two fingers to drag across a zoomed image.
Swipe up then left	Exit an application and return to the home screen.
Swipe down then left	<ul style="list-style-type: none"> <li>• Cancel a job.</li> <li>• Go back to the previous setting.</li> <li>• Exit the screen that appears without changing any setting or value.</li> </ul>
Swipe up then down	Repeat a spoken prompt.

## Using the keyboard on the display

Do one or more of the following:

- Drag a finger over the key to announce the character.
- Lift the finger to enter or type the character in the field.
- Select **Backspace** to delete characters.
- To hear the content in the input field, select **Tab**, and then select **Shift + Tab**.

# Loading paper and specialty media

## Setting the size and type of the specialty media


The trays automatically detect the size of plain paper. For specialty media like labels, card stock, or envelopes, do the following:

- 1 From the home screen, navigate to:  
**Settings > Paper > Tray Configuration > Paper Size/Type** > select a paper source
- 2 Set the size and type of the specialty media.

## Configuring Universal paper settings

- 1 From the home screen, touch **Settings > Paper > Media Configuration > Universal Setup**.
- 2 Configure the settings.

## Loading trays

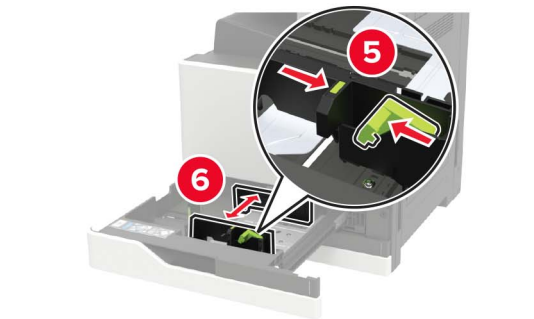
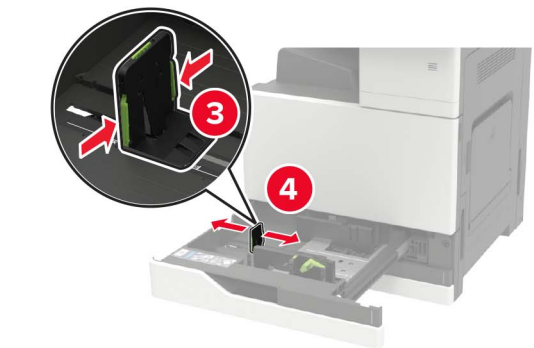
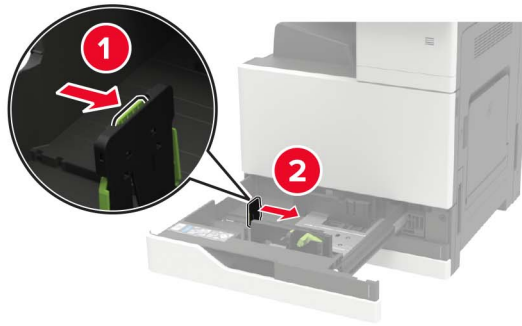
 **CAUTION—TIPPING HAZARD:** To reduce the risk of equipment instability, load each tray separately. Keep all other trays closed until needed.

- 1 Pull out the tray.

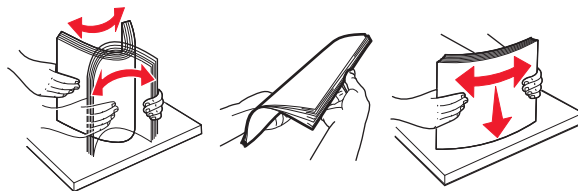
**Note:** Do not remove trays while the printer is busy.



**2** Adjust the guides to match the size of the paper that you are loading.

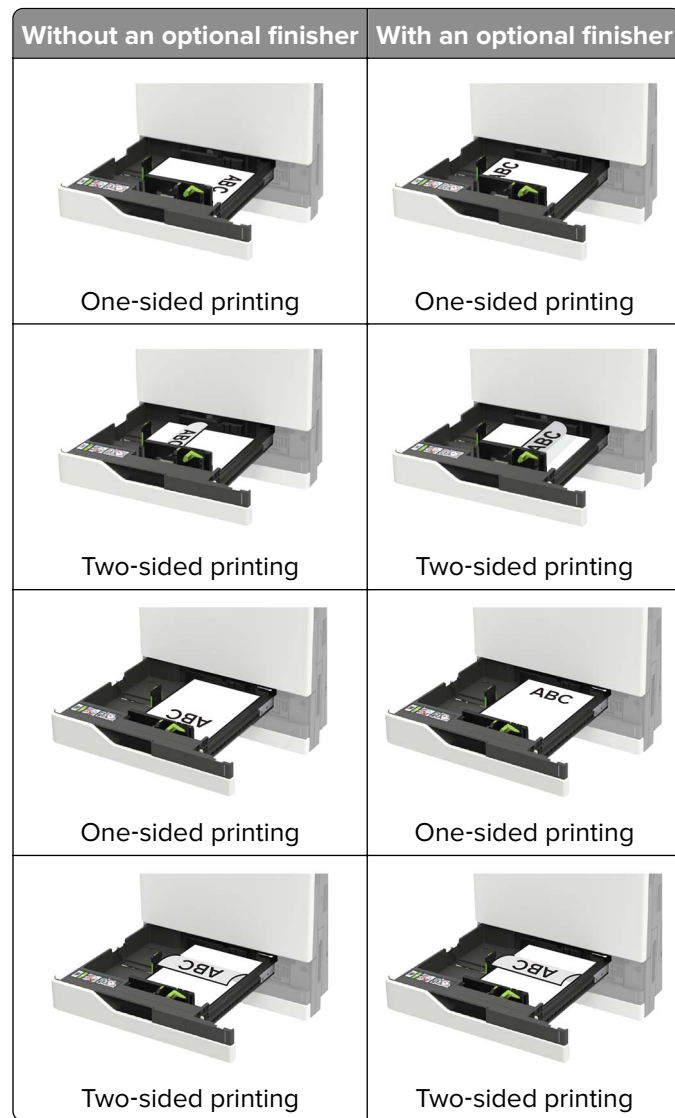


**3** Flex, fan, and align the paper edges before loading.



**4** Load the paper.

- When using letterhead, do either of the following:



- Load pre-punched paper with the holes toward the front or left side of the tray.
- Do not slide paper into the tray.
- To avoid paper jams, make sure that the stack height is below the maximum paper fill indicator.

## 5 Insert the tray.

If loading a paper type other than plain, from the control panel, set the paper size and paper type to match the paper loaded.

## Loading the 2500-sheet tray

The 2500-sheet tray supports only one paper size, either A4 or letter. To check the supported paper size, pull out the tray and then locate the size indicator on the bottom of the tray.

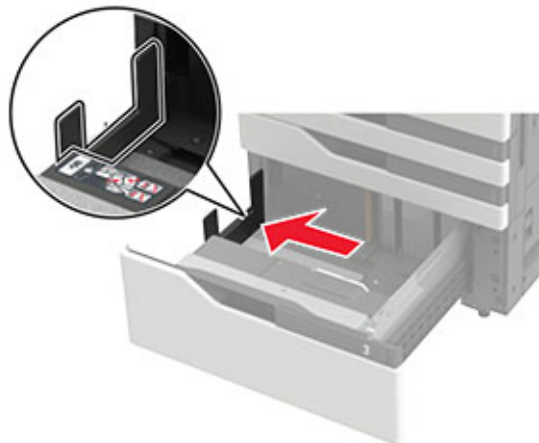
**CAUTION—TIPPING HAZARD:** To reduce the risk of equipment instability, load each tray separately. Keep all other trays closed until needed.

- 1 Pull out the tray.

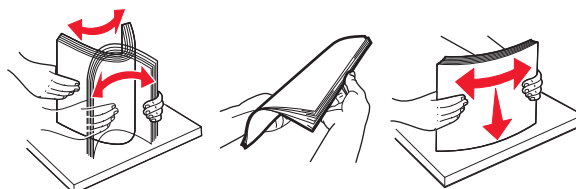


### Notes:

- To avoid paper jams, do not remove trays while the printer is busy.
- To avoid errors, make sure that the transfer guide is always at the left side of the tray.

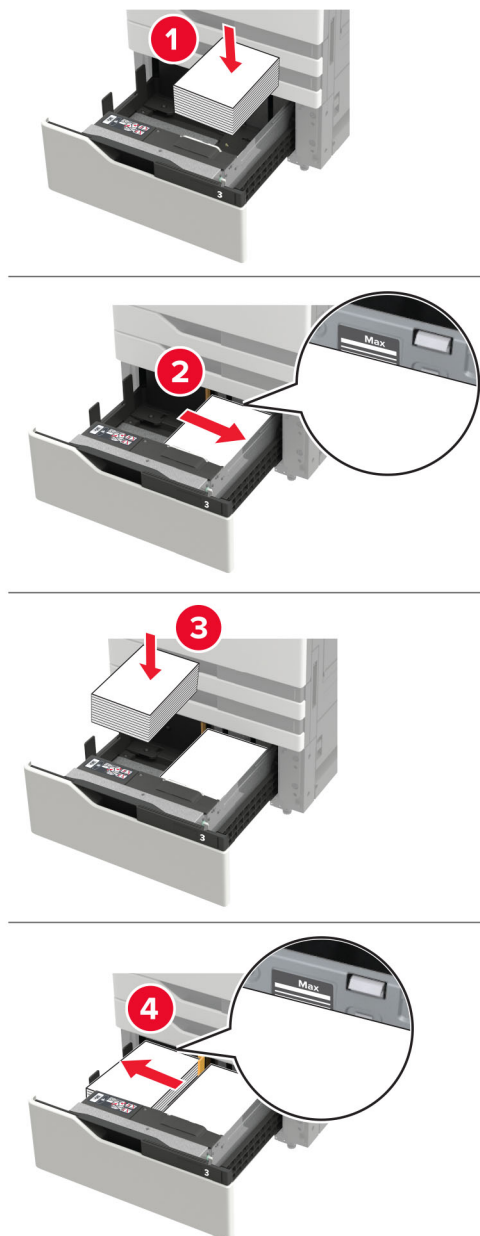


- 2 Flex, fan, and align the paper edges before loading.



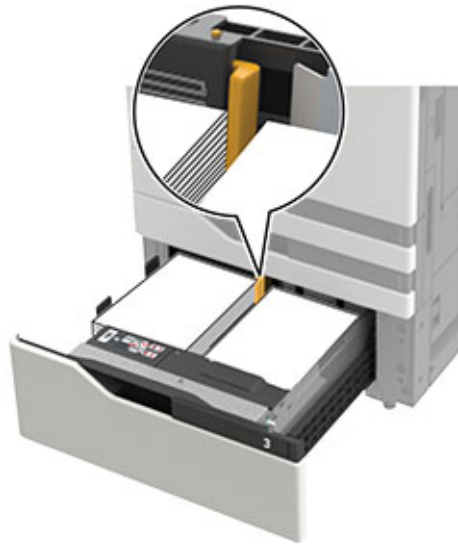


**3** Load the paper stack on the right side, and then load the paper stack on the left side.



- Make sure that the stack height is below the maximum paper fill indicator on each side of the tray.
- Load letterhead faceup for one-sided printing.
- Load letterhead facedown for two-sided printing.


- Make sure that the paper stacks do not cross the divider. Push each paper stack against the sides of the tray.



- 4 Insert the tray.
- 5 From the control panel, navigate to: **Settings > Device > Maintenance > Configuration Menu > Tray Configuration > Size Sensing.**
- 6 Select the tray and paper size.

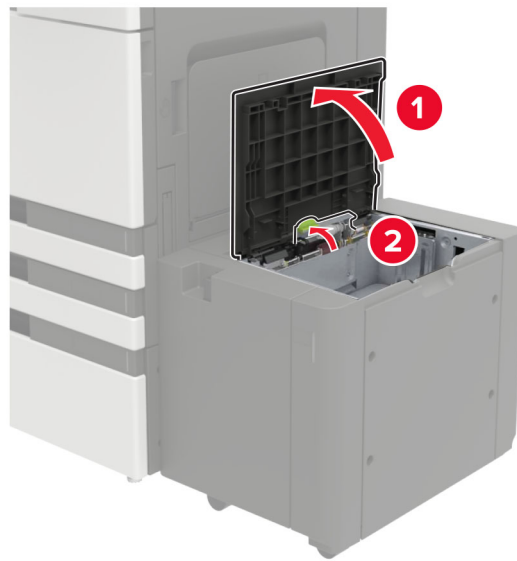
## Loading the 3000-sheet tray

The 3000-sheet tray supports only one paper size, either A4 or letter.

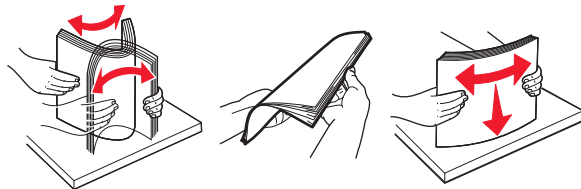
 **CAUTION—TIPPING HAZARD:** To reduce the risk of equipment instability, load each tray separately. Keep all other trays closed until needed.

- 1 Open door F, and then lift the feed roller.

**Warning—Potential Damage:** To avoid damage and poor performance, do not touch the feed rollers.

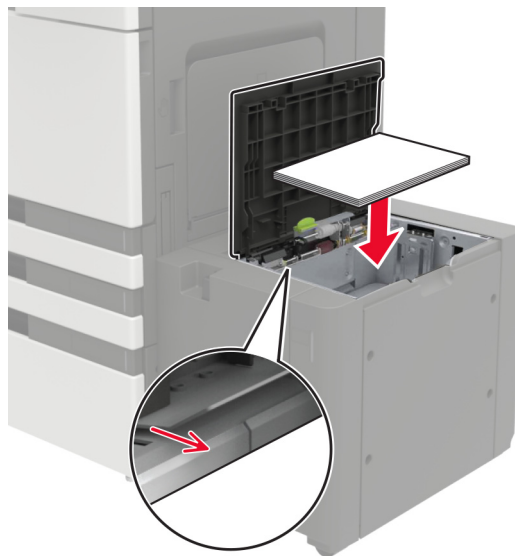


**2** Flex, fan, and align the paper edges before loading.



**3** Load the paper stack with the printable side facedown.

- Load letterhead facedown for one-sided printing.
- Load letterhead faceup for two-sided printing.
- To avoid paper jams, make sure that the stack height is below the angle on the frame.

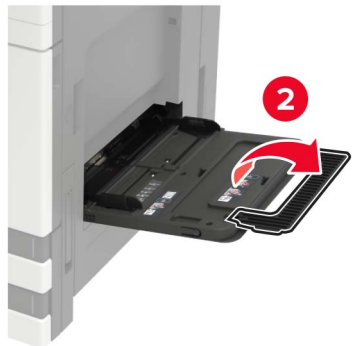


**4** Lower the feed roller, and then close the door.

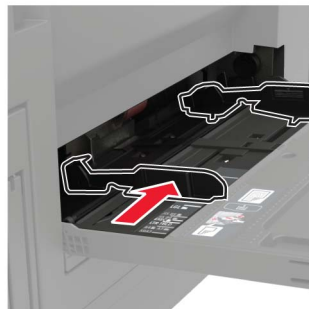
- 5 From the control panel, navigate to: **Settings > Device > Maintenance > Configuration Menu > Tray Configuration > Size Sensing.**
- 6 Select the tray and paper size.

## Loading the multipurpose feeder

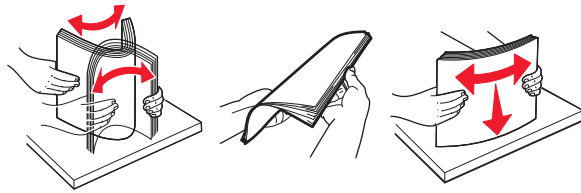
- 1 Open the multipurpose feeder.



- 2 Adjust the guide to match the size of the paper that you are loading.

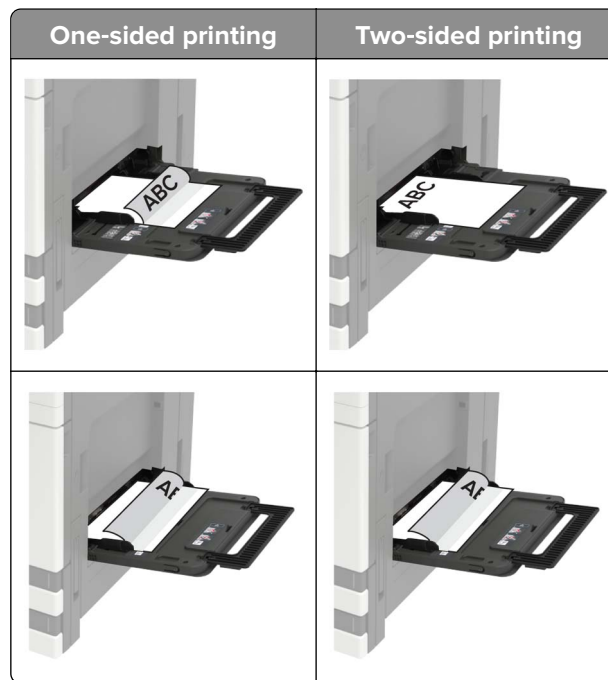


- 3** Flex, fan, and align the paper edges before loading.



- 4** Load the paper or specialty media.

When using letterhead, do either of the following:



**Warning—Potential Damage:** When using envelopes, do not use envelopes with stamps, clasps, snaps, windows, coated linings, or self-stick adhesives.

- 5** From the control panel, set the paper size and paper type to match the paper loaded.

## Linking trays

- From the home screen, touch **Settings > Paper > Tray Configuration** > select a paper source.
- Set the same paper size and paper type for the trays that you are linking.
- From the home screen, touch **Settings > Device > Maintenance > Config Menu > Tray Configuration > Tray Linking**.
- Touch **Automatic**.

To unlink trays, make sure that no trays have the same paper size and paper type settings.

**Warning—Potential Damage:** The temperature of the fuser varies according to the specified paper type. To avoid printing issues, match the paper type setting in the printer with the paper loaded in the tray.

# Paper Support

## Supported paper sizes

### Paper sizes supported by the printer

Paper size and dimension	500-sheet tray	2 x 500-sheet tray	2500-sheet tray	3000-sheet tray	Multipurpose feeder <sup>3</sup>	Two-sided printing
<b>7 3/4 Envelope</b> 98 x 191 mm (3.9 x 7.5 in.)	X	X	X	X	✓	X
<b>9 Envelope</b> 98.4 x 225 mm (3.9 x 8.9 in.)	X	X	X	X	✓	X
<b>10 Envelope</b> 105 x 241 mm (4.1 x 9.5 in.)	X	X	X	X	✓	X
<b>11 x 17</b> 279.4 x 431.8 mm (11 x 17 in.)	✓ <sup>1</sup>	✓ <sup>1</sup>	X	X	✓ <sup>1</sup>	✓
<b>12 x 18</b> 305 x 457 mm (12 x 18 in.)	✓ <sup>1,4</sup>	X	X	X	✓ <sup>1</sup>	✓
<b>A3</b> 297 x 420 mm (11.69 x 16.54 in.)	✓ <sup>1</sup>	✓ <sup>1</sup>	X	X	✓ <sup>1</sup>	✓
<b>A4</b> 210 x 297 mm (8.3 x 11.7 in.)	✓	✓	✓ <sup>2</sup>	✓ <sup>2</sup>	✓	✓
<b>A5</b> 148 x 210 mm (5.8 x 8.3 in.)	✓ <sup>1</sup>	✓ <sup>1</sup>	X	X	✓	✓
<b>A6</b> 105 x 148 mm (4.1 x 5.8 in.)	X	X	X	X	✓ <sup>1</sup>	✓

<sup>1</sup> Paper is loaded only in short-edge orientation.

<sup>2</sup> Paper is loaded only in long-edge orientation.

<sup>3</sup> Paper source supports paper size *without size sensing*.

<sup>4</sup> Paper is not supported in tray 1.

<sup>5</sup> Two-sided printing supports Universal sizes between 139.7 x 148 mm to 320 x 458 mm (5.5 x 5.83 in. to 12.6 x 18 in.).

Paper size and dimension	500-sheet tray	2 x 500-sheet tray	2500-sheet tray	3000-sheet tray	Multipurpose feeder <sup>3</sup>	Two-sided printing
<b>B5 Envelope</b> 176 x 250 mm (6.9 x 9.8 in.)	X	X	X	X	✓	X
<b>C5 Envelope</b> 162 x 229 mm (6.4 x 9 in.)	X	X	X	X	✓	X
<b>DL Envelope</b> 110 x 220 mm (4.3 x 8.7 in.)	X	X	X	X	✓	X
<b>Executive</b> 184 x 267 mm (7.3 x 10.5 in.)	✓	✓	X	X	✓	✓
<b>Folio</b> 216 x 330 mm (8.5 x 13 in.)	✓	✓	X	X	✓	✓
<b>JIS B4</b> 257 x 364 mm (10.12 x 14.33 in.)	✓ <sup>1</sup>	✓ <sup>1</sup>	X	X	✓ <sup>1</sup>	✓
<b>JIS B5</b> 182 x 257 mm (7.2 x 10.1 in.)	✓	✓	X	X	✓	✓
<b>Legal</b> 216 x 356 mm (8.5 x 14 in.)	✓ <sup>1</sup>	✓ <sup>1</sup>	X	X	✓ <sup>1</sup>	✓
<b>Letter</b> 216 x 279 mm (8.5 x 11 in.)	✓	✓	✓ <sup>2</sup>	✓ <sup>2</sup>	✓	✓
<b>Oficio</b> 216 x 340 mm (8.5 x 13.4 in.)	✓	✓	X	X	✓	✓

<sup>1</sup> Paper is loaded only in short-edge orientation.

<sup>2</sup> Paper is loaded only in long-edge orientation.

<sup>3</sup> Paper source supports paper size *without size sensing*.

<sup>4</sup> Paper is not supported in tray 1.

<sup>5</sup> Two-sided printing supports Universal sizes between 139.7 x 148 mm to 320 x 458 mm (5.5 x 5.83 in. to 12.6 x 18 in.).

Paper size and dimension	500-sheet tray	2 x 500-sheet tray	2500-sheet tray	3000-sheet tray	Multipurpose feeder <sup>3</sup>	Two-sided printing
<b>Other Envelope</b> Max: 297 x 427.6 mm (11.69 x 16.83 in.)	X	X	X	X	√	X
<b>SRA3</b> 320 x 450 mm (12.6 x 17.7 in.)	√ <sup>1,4</sup>	X	X	X	√ <sup>1</sup>	√
<b>Statement</b> 140 x 216 mm (5.5 x 8.5 in.)	√ <sup>1</sup>	√ <sup>1</sup>	X	X	√	√
<b>Universal</b> 90 x 139.7 mm to 320 x 1200 mm (3.5 x 5.5 in. to 12.6 x 47.24 in.)	√	√	X	X	√	√ <sup>5</sup>

<sup>1</sup> Paper is loaded only in short-edge orientation.

<sup>2</sup> Paper is loaded only in long-edge orientation.

<sup>3</sup> Paper source supports paper size *without size sensing*.

<sup>4</sup> Paper is not supported in tray 1.

<sup>5</sup> Two-sided printing supports Universal sizes between 139.7 x 148 mm to 320 x 458 mm (5.5 x 5.83 in. to 12.6 x 18 in.).

## Paper sizes supported by the finisher

**Note:** When a finisher is installed, the standard finisher bin becomes the default bin even for print jobs that do not require finishing.

### Supported paper sizes

Paper size	Staple finisher	Staple, hole punch finisher bin 1	Staple, hole punch finisher bin 2	Booklet finisher
<b>11 x 17</b>	√	√	√	√
<b>12 x 18</b>	√ <sup>1</sup>	√ <sup>1</sup>	√ <sup>5</sup>	√
<b>A3</b>	X	√ <sup>1</sup>	√ <sup>5</sup>	√
<b>A4</b>	√	√	√	√

<sup>1</sup> Paper is supported but the finisher does not stack, staple, or punch holes in it.

<sup>2</sup> Paper is supported only if the finisher stacks and punches holes in it but does not staple it.

<sup>3</sup> Paper is supported only if the paper size is 210 x 279.4 mm to 320 x 457.2 mm (8.27 x 11 in. to 12.6 x 18 in.).

<sup>4</sup> Paper is supported only if the finisher stacks and staples the paper but does not punch holes in it.

<sup>5</sup> Paper is supported only if the finisher stacks the paper but does not staple or punch holes in it.

<sup>6</sup> Paper is supported only for two-hole punch.



Paper size	Staple finisher	Staple, hole punch finisher bin 1	Staple, hole punch finisher bin 2	Booklet finisher
A5	√ <sup>1</sup>	√ <sup>1</sup>	√ <sup>4</sup>	X
A6	√ <sup>1</sup>	√ <sup>1</sup>	X	X
Executive	√	√	√	X
Folio	√ <sup>1</sup>	√	√	X
JIS B5	√	√	√	X
JIS B4	√	√	√	√
Legal	√	√ <sup>6</sup>	√	√
Letter	√	√	√	√
Oficio	√ <sup>1</sup>	√	√	X
SRA3	√ <sup>1</sup>	√ <sup>3</sup>	√ <sup>1</sup>	√
Statement	√ <sup>1</sup>	√ <sup>1</sup>	√ <sup>1</sup>	X
Universal	√	√ <sup>1</sup>	√ <sup>5</sup>	√ <sup>3</sup>

<sup>1</sup> Paper is supported but the finisher does not stack, staple, or punch holes in it.

<sup>2</sup> Paper is supported only if the finisher stacks and punches holes in it but does not staple it.

<sup>3</sup> Paper is supported only if the paper size is 210 x 279.4 mm to 320 x 457.2 mm (8.27 x 11 in. to 12.6 x 18 in.).

<sup>4</sup> Paper is supported only if the finisher stacks and staples the paper but does not punch holes in it.

<sup>5</sup> Paper is supported only if the finisher stacks the paper but does not staple or punch holes in it.

<sup>6</sup> Paper is supported only for two-hole punch.

## Supported paper types

### Paper types supported by the printer

**Note:** Labels, transparencies, envelopes, and card stock always print at reduced speed.

Paper type	2 x 500-sheet tray	2500-sheet tray	3000-sheet tray	Multipurpose feeder	Two-sided printing
Bond	√	√	√	√	√
Envelope	X	X	X	√	X
Card Stock	√	√	√	√	√
Colored Paper	√	√	√	√	√
Custom Type	√	√	√	√	√

<sup>1</sup> Print in batches of only up to 20 to prevent them from sticking together.

Paper type	2 x 500-sheet tray	2500-sheet tray	3000-sheet tray	Multipurpose feeder	Two-sided printing
Glossy	✓	✓	✓	✓	✓
Heavy Glossy	✓	✓	✓	✓	✓
Heavy Paper	✓	✓	✓	✓	✓
Labels	X	X	X	✓	X
Letterhead	✓	✓	✓	✓	✓
Light Paper	✓	✓	✓	✓	✓
Plain Paper	✓	✓	✓	✓	✓
Preprinted	✓	✓	✓	✓	✓
Recycled	✓	✓	✓	✓	✓
Rough Envelope	X	X	X	✓	X
Rough Cotton	✓	✓	✓	✓	✓
Transparencies <sup>1</sup>	X	X	X	✓	X
Vinyl Labels	X	X	X	X	X

<sup>1</sup> Print in batches of only up to 20 to prevent them from sticking together.

### Paper types supported by the finisher

Paper type	Staple finisher		Staple, hole punch finisher			Booklet finisher
	Non-finishing	Staple	Non-finishing	Staple	Hole punch	
Bond	✓	✓	✓	✓	✓	✓
Card Stock	✓	X	✓	X	✓	X
Glossy	✓	X	✓	✓	✓	✓
Heavy Glossy	✓	X	✓	X	✓	X
Labels	✓	X	✓	X	X	X
Plain Paper	✓	✓	✓	✓	✓	✓
Recycled	✓	✓	✓	✓	✓	✓
Transparencies <sup>1</sup>	✓	X	✓	X	X	X
Vinyl Labels	X	X	X	X	X	X
Envelope	✓	X	✓	X	X	X

<sup>1</sup> Print in batches of only up to 20 to prevent them from sticking together.

Paper type	Staple finisher		Staple, hole punch finisher			Booklet finisher
	Non-finishing	Staple	Non-finishing	Staple	Hole punch	
<b>Rough Envelope</b>	✓	X	✓	X	X	X
<b>Letterhead</b>	✓	✓	✓	✓	✓	✓
<b>Preprinted</b>	✓	✓	✓	✓	✓	✓
<b>Colored Paper</b>	✓	✓	✓	✓	✓	✓
<b>Light Paper</b>	✓	✓	✓	✓	✓	✓
<b>Heavy Paper</b>	✓	X	✓	X	X	X
<b>Rough Cotton</b>	✓	X	✓	X	X	X
<b>Custom Type</b>	✓	✓	✓	✓	✓	✓

<sup>1</sup> Print in batches of only up to 20 to prevent them from sticking together.

## Supported paper weights

Paper type	Standard 550-sheet tray	2 x 500-sheet tray	2500-sheet tray	3000-sheet tray	Multipurpose feeder
<b>Plain paper</b>	60–256 g/m <sup>2</sup> (16–68 lb)				
<b>Glossy</b>	60–256 g/m <sup>2</sup> (16–68 lb)				
<b>Card stock</b>	60–256 g/m <sup>2</sup> (16–68 lb)				
<b>Labels</b>	N/A	N/A	N/A	N/A	60–256 g/m <sup>2</sup> (16–68 lb)
<b>Envelopes</b>	N/A	N/A	N/A	N/A	75–256 g/m <sup>2</sup> (20–68 lb)

# Printing

## Printing from a computer

**Note:** For labels, card stock, and envelopes, set the paper size and type in the printer before printing the document.

- 1 From the document that you are trying to print, open the Print dialog.
- 2 If necessary, adjust the settings.
- 3 Print the document.

## Printing from a mobile device

### Printing from a mobile device using Lexmark Mobile Print

Lexmark™ Mobile Print allows you to send documents and images directly to a supported Lexmark printer.

- 1 Open the document, and then send or share the document to Lexmark Mobile Print.

**Note:** Some third-party applications may not support the send or share feature. For more information, see the documentation that came with the application.



- 2 Select a printer.
- 3 Print the document.

### Printing from a mobile device using Google Cloud Print

Google Cloud Print™ is a printing service that allows you to print to any Google Cloud Print-ready printer.

Before you begin, make sure that:



- The printer is registered to the Google Cloud Print server.
- The Cloud Print plugin is downloaded from the Google Play™ store and is enabled in the mobile device.

- 1 From your Android™ mobile device, open a document or select a document from your file manager.
- 2 Tap  > **Print**.
- 3 Select a printer, and then tap .

### Printing from a mobile device using Mopria Print Service

Mopria® Print Service is a mobile printing solution for mobile devices running on Android version 5.0 or later. It allows you to print directly to any Mopria-certified printer.

**Note:** Make sure that you download the Mopria Print Service application from the Google Play store and enable it in the mobile device.


- 1 From your Android mobile device, launch a compatible application or select a document from your file manager.
- 2 Tap  > **Print**.
- 3 Select a printer, and then adjust the settings, if necessary.
- 4 Tap .

## Printing from a mobile device using AirPrint

The AirPrint software feature is a mobile printing solution that allows you to print directly from Apple devices to an AirPrint-certified printer.

### Notes:



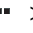
- Make sure that the Apple device and the printer are connected to the same network. If the network has multiple wireless hubs, then make sure that both devices are connected to the same subnet.
- This application is supported only in some Apple devices.

- 1 From your mobile device, select a document from your file manager or launch a compatible application.
- 2 Tap  > **Print**.
- 3 Select a printer, and then adjust the settings, if necessary.
- 4 Print the document.

## Printing from a mobile device using Wi-Fi Direct®

Wi-Fi Direct® is a printing service that lets you print to any Wi-Fi Direct-ready printer.

**Note:** Make sure that the mobile device is connected to the printer wireless network. For more information, see [“Connecting a mobile device to the printer” on page 96](#).

- 1 From your mobile device, launch a compatible application or select a document from your file manager.
- 2 Depending on your mobile device, do one of the following:
  - Tap  > **Print**.
  - Tap  > **Print**.
  - Tap  > **Print**.
- 3 Select a printer, and then adjust the settings, if necessary.
- 4 Print the document.

## Printing from a flash drive

- 1 Insert the flash drive.



### Notes:

- If you insert the flash drive when an error message appears, then the printer ignores the flash drive.
- If you insert the flash drive while the printer is processing other print jobs, then **Busy** appears on the display.

- 2 From the display, touch the document that you want to print.

If necessary, configure other print settings.

- 3 Send the print job.

To print another document, touch **USB Drive**.

**Warning—Potential Damage:** To avoid loss of data or printer malfunction, do not touch the flash drive or the printer in the area shown while actively printing, reading, or writing from the memory device.



## Supported flash drives and file types

### Flash drives

- Lexar JumpDrive S70 (16GB and 32GB)
- SanDisk Cruzer (16GB and 32GB)
- PNY Attache (16GB and 32GB)

### Notes:

- The printer supports high-speed USB flash drives with full-speed standard.
- USB flash drives must support the File Allocation Table (FAT) system.

### File types

#### Documents

- PDF (version 1.7 or earlier)
- HTML
- XPS
- Microsoft file formats (.doc, .docx, .xls, .xlsx, .ppt, .pptx)

#### Images

- .dcx
- .gif
- .JPEG or .jpg
- .bmp
- .pcx
- .TIFF or .tif
- .png

## Configuring confidential jobs

- 1 From the control panel, navigate to:  
**Settings > Security > Confidential Print Setup**
- 2 Configure the settings.

Use	To
Max Invalid PIN	Set the number of times an invalid PIN can be entered. <b>Note:</b> When the limit is reached, the print jobs for that user name are deleted.
Confidential Job Expiration	Set the expiration time for confidential print jobs. <b>Note:</b> Confidential held jobs are stored in the printer until they are released or deleted manually.
Repeat Job Expiration	Set the expiration time for a repeat print job. <b>Note:</b> Repeat held jobs are stored in the printer memory for reprinting.

Use	To
Verify Job Expiration	Set the expiration time that the printer prints a copy before printing the remaining copies. <b>Note:</b> Verify jobs print one copy to check if it is satisfactory before printing the remaining copies.
Reserve Job Expiration	Set the expiration time that the printer stores print jobs. <b>Note:</b> Reserve held jobs are automatically deleted after printing.
Require All Jobs to be Held	Set the printer to hold all print jobs.
Keep duplicate documents	Set the printer to print all documents with the same file name.

## Printing confidential and other held jobs

### For Windows users

- 1 With a document open, click **File > Print**.
- 2 Click **Properties, Preferences, Options,** or **Setup**.
- 3 Click **Print and Hold**.
- 4 Select **Use Print and Hold**, and then assign a user name.
- 5 Select the print job type (Confidential, Repeat, Reserve, or Verify).  
If the print job is confidential, then enter a four-digit PIN.
- 6 Click **OK** or **Print**.
- 7 From the printer home screen, release the print job.
  - For confidential print jobs, navigate to:  
**Held jobs > select your user name > Confidential > enter the PIN > select the print job > configure the settings > Print**
  - For other print jobs, navigate to:  
**Held jobs > select your user name > select the print job > configure the settings > Print**

### For Macintosh users

- 1 With a document open, choose **File > Print**.  
If necessary, click the disclosure triangle to see more options.
- 2 From the print options or Copies & Pages menu, choose **Job Routing**.
- 3 Select the print job type (Confidential, Repeat, Reserve, or Verify).  
If the print job is confidential, then assign a user name and a four-digit PIN.
- 4 Click **OK** or **Print**.



- 5 From the printer home screen, release the print job.
  - For confidential print jobs, navigate to:  
**Held jobs** > select your user name > **Confidential** > enter the PIN > select the print job > configure the settings > **Print**
  - For other print jobs, navigate to:  
**Held jobs** > select your user name > select the print job > configure the settings > **Print**

## Printing a font sample list

- 1 From the home screen, touch **Settings** > **Reports** > **Print** > **Print Fonts**.
- 2 Touch **PCL Fonts** or **PS Fonts**.

## Printing a directory list

From the home screen, touch **Settings** > **Reports** > **Print** > **Print Directory**.

## Canceling a print job

### From the printer control panel

- 1 From the home screen, touch **Job Queue**.
  - Note:** You can also access this setting by touching the top section of the home screen.
- 2 Select the job to cancel.

### From the computer

- 1 Depending on the operating system, do either of the following:
  - Open the printers folder, and then select your printer.
  - From the System Preferences in the Apple menu, navigate to your printer.
- 2 Select the job to cancel.

# Understanding the printer menus

## Menu map

<b>Device</b>	<ul style="list-style-type: none"> <li>• <a href="#">Preferences</a></li> <li>• <a href="#">Eco-Mode</a></li> <li>• <a href="#">Remote Operator Panel</a></li> <li>• <a href="#">Notifications</a></li> <li>• <a href="#">Power Management</a></li> <li>• <a href="#">Information Sent to Lexmark</a></li> </ul>	<ul style="list-style-type: none"> <li>• <a href="#">Accessibility</a></li> <li>• <a href="#">Restore Factory Defaults</a></li> <li>• <a href="#">Maintenance</a></li> <li>• <a href="#">Visible Home Screen Icons</a></li> <li>• <a href="#">About this Printer</a></li> </ul>
<b>Print</b>	<ul style="list-style-type: none"> <li>• <a href="#">Layout</a></li> <li>• <a href="#">Finishing</a></li> <li>• <a href="#">Setup</a></li> <li>• <a href="#">Quality</a></li> <li>• <a href="#">Job Accounting</a></li> <li>• <a href="#">XPS</a></li> </ul>	<ul style="list-style-type: none"> <li>• <a href="#">PDF</a></li> <li>• <a href="#">PostScript</a></li> <li>• <a href="#">PCL</a></li> <li>• <a href="#">HTML</a></li> <li>• <a href="#">Image</a></li> </ul>
<b>Paper</b>	<ul style="list-style-type: none"> <li>• <a href="#">Tray Configuration</a></li> <li>• <a href="#">Media Configuration</a></li> </ul>	<ul style="list-style-type: none"> <li>• <a href="#">Bin Configuration</a></li> </ul>
<b>USB Drive</b>	<ul style="list-style-type: none"> <li>• <a href="#">Flash Drive Print</a></li> </ul>	
<b>Network/Ports</b>	<ul style="list-style-type: none"> <li>• <a href="#">Network Overview</a></li> <li>• <a href="#">Wireless</a></li> <li>• <a href="#">Ethernet</a></li> <li>• <a href="#">TCP/IP</a></li> <li>• <a href="#">SNMP</a></li> <li>• <a href="#">IPSec</a></li> <li>• <a href="#">802.1x</a></li> </ul>	<ul style="list-style-type: none"> <li>• <a href="#">LPD Configuration</a></li> <li>• <a href="#">HTTP/FTP Settings</a></li> <li>• <a href="#">USB</a></li> <li>• <a href="#">Restrict external network access</a></li> <li>• <a href="#">Google Cloud Print</a></li> <li>• <a href="#">Wi-Fi Direct</a></li> </ul>
<b>Security</b>	<ul style="list-style-type: none"> <li>• <a href="#">Login Methods</a></li> <li>• <a href="#">Schedule USB Devices</a></li> <li>• <a href="#">Security Audit Log</a></li> <li>• <a href="#">Login Restrictions</a></li> <li>• <a href="#">Confidential Print Setup</a></li> </ul>	<ul style="list-style-type: none"> <li>• <a href="#">Disk Encryption</a></li> <li>• <a href="#">Erase Temporary Data Files</a></li> <li>• <a href="#">Solutions LDAP Settings</a></li> <li>• <a href="#">Miscellaneous</a></li> </ul>
<b>Reports</b>	<ul style="list-style-type: none"> <li>• <a href="#">Menu Settings Page</a></li> <li>• <a href="#">Device</a></li> </ul>	<ul style="list-style-type: none"> <li>• <a href="#">Print</a></li> <li>• <a href="#">Network</a></li> </ul>
<b>Help</b>	<ul style="list-style-type: none"> <li>• Print All Guides</li> <li>• Color Quality Guide</li> <li>• Connection Guide</li> <li>• Information Guide</li> </ul>	<ul style="list-style-type: none"> <li>• Media Guide</li> <li>• Moving Guide</li> <li>• Print Quality Guide</li> <li>• Supplies Guide</li> </ul>
<b>Troubleshooting</b>	Print Quality Test Pages	

# Device

## Preferences

Menu item	Description
<b>Display Language</b>	Set the language of the text that appears on the display.
<b>Country/Region</b>	Identify the country or region that the printer is configured to operate.
<b>Run initial setup</b> Off* On	Run the setup wizard.
<b>Keyboard</b> Keyboard Type	Select a language as a keyboard type. <b>Note:</b> All the Keyboard Type values may not appear or may require special hardware be installed to appear.
<b>Displayed information</b> Display Text 1 (IP Address*) Display Text 2 (Date/Time*) Custom Text 1 Custom Text 2	Specify the information to appear on the home screen.
<b>Date and Time</b> Configure Current Date and Time Manually Set Date and Time Date Format (MM-DD-YYYY*) Time Format (12 hour A.M./P.M.*) Time Zone (UTC-5:00*) Network Time Protocol Enable NTP (On*) NTP Server Enable Authentication	Configure the printer date and time and network time protocol.
<b>Paper Sizes</b> U.S.* Metric	Specify the unit of measurement for paper sizes. <b>Note:</b> The country or region selected in the initial setup wizard determines the initial paper size setting.
<b>Screen Brightness</b> 20–100% (100*)	Adjust the brightness of the display.
<b>Flash Drive Access</b> Enabled* Disabled	Enable access to the flash drive.
<b>Allow Background Removal</b> Off On*	Specify whether background removal is allowed.
<b>Note:</b> An asterisk (*) next to a value indicates the factory default setting.	

Menu item	Description
<b>Audio Feedback</b> Button Feedback (On*) Volume (5*)	<ul style="list-style-type: none"> <li>• Enable audio feedback for button presses, panel interactions, paper loaded prompts, and error notifications.</li> <li>• Adjust the feedback volume.</li> </ul>
<b>Screen Timeout</b> 5–300 seconds (60*)	Set the idle time before the display shows the home screen or before the printer logs out a user account automatically.
<b>Note:</b> An asterisk (*) next to a value indicates the factory default setting.	

## Eco-Mode

Menu item	Description
<b>Print</b> Sides (1-Sided*) Pages per Side (Off*) Toner Darkness (4*) Color Saver (Off*)	Configure the print settings of the printer.
<b>Note:</b> An asterisk (*) next to a value indicates the factory default setting.	

## Remote Operator Panel

Menu item	Description
<b>External VNC Connection</b> Don't Allow* Allow	Connect an external Virtual Network Computing (VNC) client to the remote control panel.
<b>Authentication Type</b> None* Standard Authentication	Set the authentication type when accessing the VNC client server.
<b>VNC Password</b>	Specify the password to connect to the VNC client server. <b>Note:</b> This menu item appears only if Authentication Type is set to Standard Authentication.
<b>Note:</b> An asterisk (*) next to a value indicates the factory default setting.	

## Notifications

Menu item	Description
<b>Error Lighting</b> Off On*	Set the indicator light to come on when a printer error occurs. <b>Note:</b> This menu item appears only in some printer models.
<b>Note:</b> An asterisk (*) next to a value indicates the factory default setting.	

Menu item	Description
<b>Alarm Control</b> Off Single* Continuous	Set the number of times that the alarm sounds when the printer requires user intervention.
<b>Supplies</b> Show Supply Estimates Show estimates* Do not show estimates	Show the estimated status of the supplies.
<b>Supplies</b> Cartridge Alarm (Single*) Staple Alarm (Off*) Hole Punch Alarm (Off*)	Set the number of times that the alarm sounds when the toner cartridge is low, the staple cartridge is empty, or the hole punch receptacle is full or missing respectively.  <b>Note:</b> The Staple Alarm and Hole Punch Alarm appear only when output options are installed.
<b>Supplies</b> Custom Supply Notifications	Set the unit that the printer uses to estimate supply usage and trigger custom notifications when user intervention is required.  <b>Note:</b> This menu item appears only in the Embedded Web Server.
<b>E-mail Alerts Setup</b> E-mail Setup Primary SMTP Gateway Primary SMTP Gateway Port (25*) Secondary SMTP Gateway Secondary SMTP Gateway Port (25*) SMTP Timeout (30 seconds*) Reply Address Always use SMTP default Reply Address (Off*) Use SSL/TLS (Disabled*) Require Trusted Certificate (On*) SMTP Server Authentication (No authentication required*) Device-Initiated E-mail (None*) User-Initiated E-mail (None*) Use Active Directory Device Credentials (Off*) Device Userid Device Password Kerberos 5 REALM NTLM Domain Disable "SMTP server not set up" error (Off*)	Configure an SMTP server to send e-mail to a group of pre-defined e-mail addresses when certain events occur on the printer.
<b>Note:</b> An asterisk (*) next to a value indicates the factory default setting.	

Menu item	Description
<p><b>Error Prevention</b>                      Jam Assist                      Off                      On*</p>	<p>Set the printer to flush blank pages or pages with partial prints automatically after a jammed page has been cleared.</p>
<p><b>Error Prevention</b>                      Auto Continue                      Off                      On* (5 seconds)</p>	<p>Let the printer continue processing or printing a job automatically after clearing certain printer conditions that require user intervention.</p>
<p><b>Error Prevention</b>                      Auto Reboot                      Auto Reboot                      Reboot when idle                      Reboot always*                      Reboot never</p>	<p>Set the printer to restart when an error occurs.</p>
<p><b>Error Prevention</b>                      Auto Reboot                      Max Auto Reboots                      1–20 (2*)</p>	<p>Set the number of automatic reboots that the printer can perform.</p>
<p><b>Error Prevention</b>                      Auto Reboot                      Auto Reboot Window                      1–525600 seconds (720*)</p>	<p>Set the time before the printer performs an automatic reboot.</p>
<p><b>Error Prevention</b>                      Display Short Paper Error                      On                      Auto-clear*</p>	<p>Set the printer to show a message when a short paper error occurs.  <b>Note:</b> Short paper refers to the size of the paper loaded.</p>
<p><b>Error Prevention</b>                      Page Protect                      Off*                      On</p>	<p>Set the printer to process the entire page into the memory before printing it.</p>
<p><b>Jam Content Recovery</b>                      Jam Recovery                      Off                      On                      Auto*</p>	<p>Set the printer to reprint jammed pages.</p>

**Note:** An asterisk (\*) next to a value indicates the factory default setting.

## Power Management

Menu item	Description
<b>Sleep Mode Profile</b> Print from Sleep Mode Stay awake after printing Enter Sleep Mode after printing*	Set the printer to stay in Ready mode or return to Sleep mode after printing.
<b>Timeouts</b> Sleep Mode 1–120 minutes (15*)	Set the idle time before the printer begins operating in Sleep mode.
<b>Timeouts</b> Hibernate Timeout Disabled 1 hour 2 hours 3 hours 6 hours 1 day 2 days 3 days* 1 week 2 weeks 1 month	Set the time before the printer turns off.
<b>Timeouts</b> Hibernate Timeout on Connection Hibernate Do Not Hibernate*	Set Hibernate Timeout to turn off the printer while an active Ethernet connection exists.
<b>Schedule Power Modes</b> Schedules Add New Schedule	Schedule the printer when to enter Sleep or Hibernate mode.
<b>Note:</b> An asterisk (*) next to a value indicates the factory default setting.	

## Information Sent to Lexmark

Menu item	Description
<b>Information Sent to Lexmark</b> Supplies and Page Usage Device Performance None*	Send printer usage and performance information to Lexmark.  <b>Note:</b> Information Send Time appears only when you select any of the settings in Information Sent to Lexmark, except None.
<b>Information Send Time</b> Start Time Stop Time	
<b>Note:</b> An asterisk (*) next to a value indicates the factory default setting.	

## Accessibility

Menu item	Description
<b>Duplicate Key Strike Interval</b> 0–5 (0*)	Set the interval in seconds during which the printer ignores duplicate key presses on an attached keyboard.
<b>Key Repeat Initial Delay</b> 0.25–5 (1*)	Set the initial length of delay in seconds before a repeating key starts repeating.  <b>Note:</b> This menu item appears only when a keyboard is attached to the printer.
<b>Key Repeat Rate</b> 0.5–30 (30*)	Set the number of presses per second for a repeating key.  <b>Note:</b> This menu item appears only when a keyboard is attached to the printer.
<b>Prolong Screen Timeout</b> Off* On	Let the user remain in the same location and reset the Screen Timeout timer when it expires instead of returning to the home screen.
<b>Headphone Volume</b> 1–10 (5*)	Adjust the headphone volume.  <b>Note:</b> This menu item appears only when a headphone is attached to the printer.
<b>Enable Voice Guidance When Headphone Is Attached</b> Off* On	Enable Voice Guidance when a headphone is attached to the printer.
<b>Speak Passwords/PINs</b> Off* On	Set the printer to read out loud passwords or personal identification numbers.  <b>Note:</b> This menu item appears only when a headphone or a speaker is attached to the printer.
<b>Speech Rate</b> Very Slow Slow Normal* Fast Faster Very Fast Rapid Very Rapid Fastest	Set the Voice Guidance speech rate.  <b>Note:</b> This menu item appears only when a headphone or a speaker is attached to the printer.
<b>Note:</b> An asterisk (*) next to a value indicates the factory default setting.	



## Restore Factory Defaults

Menu item	Description
<b>Restore Settings</b> Restore all settings Restore printer settings Restore network settings Restore app settings	Restore the printer factory default settings.

## Maintenance

### Configuration Menu

Menu item	Description
<b>USB Configuration</b> USB PnP 1* 2	Change the USB driver mode of the printer to improve its compatibility with a personal computer.
<b>USB Configuration</b> USB Speed Full Auto*	Set the USB port to run at full speed and disable its high-speed capabilities.
<b>Tray Configuration</b> Size Sensing Tray [x] Sensing (On*) Tray 3 Sensing (Letter*) Oficio/Folio Sensing (Folio*) Statement/A5 Sensing (Sense Statement*) Executive/B5 Sensing (Sense Exec*)	Set the tray to sense automatically the paper size loaded into it.
<b>Tray Configuration</b> Tray Linking Automatic* Off	Set the printer to link the trays that have the same paper type and paper size settings.
<b>Tray Configuration</b> Show Tray Insert Message Off Only for unknown sizes* Always	Display a message to select paper size and type after inserting the tray.
<b>Tray Configuration</b> Paper Prompts Auto* Multipurpose Feeder Manual Paper	Set the paper source that the user fills when a prompt to load paper appears.
<b>Note:</b> An asterisk (*) next to a value indicates the factory default setting.	

Menu item	Description
<b>Tray Configuration</b> Envelope Prompts Auto* Multipurpose Feeder Manual Envelope	Set the paper source that the user fills when a prompt to load envelope appears.
<b>Tray Configuration</b> Action for Prompts Prompt user* Continue Use current	Set the printer to resolve paper- or envelope-related change prompts.
<b>Reports</b> Menu Settings Page Event Log Event Log Summary HealthCheck Statistics	Print reports about printer menu settings, status, and event logs.
<b>Supply Usage And Counters</b> Clear Supply Usage History	Reset the supply usage history, such as number of pages and days remaining, to the factory shipped level.
<b>Supply Usage And Counters</b> Large Media Adjustments (Off*)	Determine whether to publish click count values in the reports.
<b>Printer Emulations</b> PPDS Emulation Off* On	Set the printer to recognize and use the PPDS data stream.
<b>Printer Emulations</b> PS Emulation Off On*	Set the printer to recognize and use the PS data stream.
<b>Printer Emulations</b> Emulator Security Page Timeout 0–60 (60*)	Set the page timeout during emulation.
<b>Printer Emulations</b> Emulator Security Reset Emulator After Job Off* On	Reset the emulator after a print job.
<b>Printer Emulations</b> Emulator Security Disable Printer Message Access Off On*	Disable access to printer message during emulation.
<b>Note:</b> An asterisk (*) next to a value indicates the factory default setting.	

Menu item	Description
<b>Print Configuration</b> Black Only Mode Off* On	Print non-copy jobs in grayscale.
<b>Print Configuration</b> Color Trapping Off 1 2* 3 4 5	Enhance the printed output to compensate for misregistration in the printer.
<b>Print Configuration</b> Font Sharpening 0–150 (24*)	Set a text point-size value below which the high-frequency screens are used when printing font data. For example, if the value is 24, then all fonts sized 24 points or less use the high-frequency screens.
<b>Device Operations</b> Quiet Mode Off* On	Set the printer to operate in Quiet Mode. <b>Note:</b> Enabling this setting slows down the overall performance of the printer.
<b>Device Operations</b> Safe Mode Off* On	Set the printer to operate in a special mode, in which it attempts to continue offering as much functionality as possible, despite known issues. For example, when set to On, and the duplex motor is nonfunctional, the printer performs one-sided printing of the documents even if the job is two-sided printing.
<b>Device Operations</b> Clear Custom Status	Erase user-defined strings for the Default or Alternate custom messages.
<b>Device Operations</b> Clear all remotely-installed messages	Erase messages that were remotely installed.
<b>Device Operations</b> Automatically Display Error Screens Off On*	Show existing error messages on the display after the printer remains inactive on the home screen for a length of time equal to the Screen Timeout setting.
<b>Device Operations</b> Automatic Image Stabilization Off On* (700)	Set the printer to detect the paper type of a page being loaded.
<b>Device Operations</b> Enable Optional Parallel Port Off* On	Enable an optional parallel port. <b>Note:</b> When the setting is changed, the printer restarts.
<b>Note:</b> An asterisk (*) next to a value indicates the factory default setting.	

Menu item	Description
<b>App Configuration</b> LES Applications Off On*	Enable the Lexmark Embedded Solutions (LES) applications.  <b>Notes:</b> <ul style="list-style-type: none"> <li>• When the setting is changed, the printer restarts.</li> <li>• When set to On, this setting does not affect built-in applications.</li> </ul>
<b>Note:</b> An asterisk (*) next to a value indicates the factory default setting.	

### Out of Service Erase

Menu item	Description
<b>Out of Service Erase</b> Memory Last Sanitized Hard Disk Last Sanitized	Show information on when the printer memory or hard disk was last sanitized.  <b>Note:</b> Hard Disk Last Sanitized appears only when a hard disk is installed.
<b>Out of Service Erase</b> Sanitize all information on nonvolatile memory Erase all printer and network settings Erase all apps and app settings Erase all shortcuts and shortcut settings Sanitize all information on hard disk Erase downloads (Erase all macros, fonts, PPOs, etc.) Erase buffered jobs Erase Held jobs	Clear all information on non-volatile memory and information on the hard disk.  <b>Note:</b> Sanitize all information on hard disk appears only when a hard disk is installed.

### Visible Home Screen Icons

Menu	Description
Status/Supplies Job Queue Change Language Address Book Bookmarks Held Jobs USB App Profiles Display Customization Eco-Settings	Specify which icons to show on the home screen.

### About this Printer

Menu item	Description
<b>Asset Tag</b>	Show the serial number of the printer.

Menu item	Description
<b>Printer's Location</b>	Identify the printer location. The maximum length is 63 characters.
<b>Contact</b>	Personalize the printer name. The maximum length is 63 characters.
<b>Export Configuration File to USB</b>	Export the configuration file to a flash drive.
<b>Export Compressed Logs to USB</b>	Export the compressed log files to a flash drive.
<b>Send Logs</b> Cancel Send	Send diagnostic information to Lexmark.

## Print

### Layout

Menu item	Description
<b>Sides</b> 1-Sided* 2-Sided	Specify whether to print on one side or two sides of the paper.
<b>Flip Style</b> Long Edge* Short Edge	Determine which side of the paper is bound when performing two-sided printing. <b>Note:</b> Depending on the option selected, the printer automatically offsets each printed information of the page to bind the job correctly.
<b>Blank Pages</b> Print Do Not Print*	Print blank pages that are included in a print job.
<b>Collate</b> Off [1,1,1,2,2,2]* On [1,2,1,2,1,2]	Keep the pages of a print job stacked in sequence, particularly when printing multiple copies of the job.
<b>Separator Sheets</b> None* Between Copies Between Jobs Between Pages	Insert blank separator sheets when printing.
<b>Separator Sheet Source</b> Tray [x] (1*) Multipurpose Feeder	Specify the paper source for the separator sheet.
<b>Note:</b> An asterisk (*) next to a value indicates the factory default setting.	

Menu item	Description
<b>Pages per Side</b> Off* 2 pages per side 3 pages per side 4 pages per side 6 pages per side 9 pages per side 12 pages per side 16 pages per side	Print multiple page images on one side of a sheet of paper.
<b>Pages per Side Ordering</b> Horizontal* Reverse Horizontal Vertical Reverse Vertical	Specify the positioning of multiple page images when using Pages per Side. <b>Note:</b> The positioning depends on the number of page images and their page orientation.
<b>Pages per Side Orientation</b> Auto* Landscape Portrait	Specify the orientation of a multiple-page document when using Pages per Side.
<b>Pages per Side Border</b> None* Solid	Print a border around each page image when using Pages per Side.
<b>Copies</b> 1–9999 (1*)	Specify the number of copies for each print job.
<b>Print Area</b> Normal* Whole Page	Set the printable area on a sheet of paper.
<b>Note:</b> An asterisk (*) next to a value indicates the factory default setting.	

## Finishing

Menu item	Description
<b>Staple Job</b> Off* 1 staple, top left corner 2 staples, left 1 staple, top right corner 2 staples, top 1 staple, bottom left corner 2 staples, bottom 1 staple, bottom right corner 2 staples, right	Specify the staple position for all print jobs. <b>Note:</b> This menu item appears only when a finisher is installed.
<b>Note:</b> An asterisk (*) next to a value indicates the factory default setting.	

Menu item	Description
<b>Staple Test</b> Start	Determine whether the staple finisher is functioning properly. <b>Note:</b> This menu item appears only when a finisher is installed.
<b>Hole Punch</b> Off* On	Punch holes along the edge of the printed output. <b>Note:</b> This menu item appears only when a multiposition staple, hole punch finisher is installed.
<b>Hole Punch Mode</b> 2 holes 3 holes 4 holes	Set the hole punch mode for the printed output. <b>Notes:</b> <ul style="list-style-type: none"> <li>• 3 holes is the U.S. factory default setting. 4 holes is the international factory default setting.</li> <li>• This menu item appears only when a multiposition staple, hole punch finisher is installed.</li> </ul>
<b>Offset Pages</b> None* Between Copies Between Jobs	Offset the output of each print job or each copy of a print job. <b>Notes:</b> <ul style="list-style-type: none"> <li>• Between Copies offsets each copy of a print job if Collate is set to On [1,2,1,2,1,2]. If Collate is set to Off [1,1,2,2,2], then each set of printed pages is offset, such as all page 1s and all page 2s.</li> <li>• Between Jobs sets the same offset position for the entire print job regardless of the number of copies printed.</li> <li>• This menu item appears only when a multiposition staple, hole punch finisher is installed.</li> </ul>
<b>Note:</b> An asterisk (*) next to a value indicates the factory default setting.	

## Setup

Menu item	Description
<b>Printer Language</b> PCL Emulation PS Emulation* PPDS Emulation*	Set the printer language. <b>Note:</b> Setting a printer language default does not prevent a software program from sending print jobs that use another printer language.
<b>Job Waiting</b> Off* On	Preserve print jobs requiring supplies so that jobs not requiring the missing supplies can print. <b>Note:</b> This menu item appears only when a printer hard disk is installed.
<b>Job Hold Timeout</b> 0–255 (30*)	Set the time in seconds that the printer waits for user intervention before it holds jobs that require unavailable resources and continues to print other jobs in the print queue. <b>Note:</b> This menu item appears only when a printer hard disk is installed.
<b>Note:</b> An asterisk (*) next to a value indicates the factory default setting.	

Menu item	Description
<b>Printer Usage</b> Max Speed Max Yield*	Determine how the color imaging kit operates during printing. <b>Notes:</b> <ul style="list-style-type: none"> <li>• When set to Max Yield, the color imaging kit slows or stops while printing groups of black-only pages.</li> <li>• When set to Max Speed, the color imaging kit always runs while printing, whether color or black pages are being printed.</li> </ul>
<b>Download Target</b> RAM* Disk	Specify where to save all permanent resources, such as fonts and macros, that have been downloaded to the printer. <b>Note:</b> This menu item appears only when a printer hard disk is installed.
<b>Resource Save</b> Off* On	Determine what the printer does with downloaded resources, such as fonts and macros, when it receives a job that requires more than the available memory. <b>Notes:</b> <ul style="list-style-type: none"> <li>• When set to Off, the printer retains downloaded resources only until memory is needed. Resources associated with the inactive printer language are deleted.</li> <li>• When set to On, the printer preserves all the permanent downloaded resources across all language switches. When necessary, the printer shows memory full messages instead of deleting permanent resources.</li> </ul>
<b>Print All Order</b> Alphabetical* Newest First Oldest First	Specify the order when you choose to print all held and confidential jobs. <b>Note:</b> This menu item appears only when a printer hard disk is installed.
<b>PJL File Access Control</b> Off* On	Determine access to Printer Job Language (PJL) files
<b>Note:</b> An asterisk (*) next to a value indicates the factory default setting.	

## Quality

Menu item	Description
<b>Print Mode</b> Black and White Color*	Set how the printer generates color content.
<b>Print Resolution</b> 2400 Image Q* 1200 dpi	Set the resolution for the printed output. <b>Note:</b> 2400 Image Q provides high-quality output at maximum speed.
<b>Toner Darkness</b> 1 to 5 (4*)	Determine the lightness or darkness of text images.
<b>Note:</b> An asterisk (*) next to a value indicates the factory default setting.	



Menu item	Description
<b>Halftone</b> Normal* Detail	Enhance the printed output to have smoother lines with sharper edges.
<b>Color Saver</b> Off* On	Reduce the amount of toner used to print graphics and images. <b>Note:</b> When set to On, this setting overrides the value of the Toner Darkness setting.
<b>RGB Brightness</b> -6 to 6 (0*)	Adjust the brightness, contrast, and saturation for color output. <b>Note:</b> This setting does not affect files where CMYK color specifications are used.
<b>RGB Contrast</b> 0 to 5 (0*)	
<b>RGB Saturation</b> 0 to 5 (0*)	
<b>Note:</b> An asterisk (*) next to a value indicates the factory default setting.	

### Advanced Imaging

Menu item	Description
<b>Color Balance</b> Cyan -5 to 5 (0*) Magenta -5 to 5 (0*) Yellow -5 to 5 (0*) Black -5 to 5 (0*) Reset Defaults	Adjust the amount of toner that is used for each color.
<b>Color Correction</b> Off Auto* Manual	Modify the color settings used to print documents. <b>Notes:</b> <ul style="list-style-type: none"> <li>• Off sets the printer to receive the color correction from the software.</li> <li>• Auto sets the printer to apply different color profiles to each object on the printed page.</li> <li>• Manual allows the customization of the RGB or CMYK color conversions applied to each object on the printed page.</li> </ul>
<b>Color Samples</b> Print Color Samples	Print sample pages for each of the RGB and CMYK color conversion tables used in the printer.
<b>Color Adjust</b>	Calibrate the printer to adjust color variations in the printed output.
<b>Spot Color Replacement</b> Set Custom CMYK	Assign specific CMYK values to twenty named spot colors.
<b>Note:</b> An asterisk (*) next to a value indicates the factory default setting.	

## Job Accounting

Menu item	Description
<b>Job Accounting</b> Off* On	Set the printer to create a log of the print jobs that it receives. <b>Note:</b> This menu item appears only when a flash memory or hard disk is installed.
<b>Accounting Log Frequency</b> Daily Weekly Monthly*	Specify how often the printer creates a log file.
<b>Log Action at End of Frequency</b> None* E-mail Current Log E-mail & Delete Current Log Post Current Log Post & Delete Current Log	Specify how the printer responds when the frequency threshold expires. <b>Note:</b> The value defined in Accounting Log Frequency determines when this action is triggered.
<b>Log Action at Near Full</b> None* E-mail Current Log E-mail & Delete Current Log E-mail & Delete Oldest Log Post Current Log Post & Delete Current Log Post & Delete Oldest Log Delete Current Log Delete Oldest Log Delete All But Current Delete All Logs	Specify how the printer responds when the hard disk is nearly full.
<b>Log Action at Full</b> None* E-mail & Delete Current Log E-mail & Delete Oldest Log Post & Delete Current Log Post & Delete Oldest Log Delete Current Log Delete Oldest Log Delete All But Current Delete All Logs	Specify how the printer responds when hard disk usage reaches the maximum limit (100MB).
<b>URL to Post Log</b>	Specify where the printer posts job accounting logs.
<b>E-mail Address to Send Logs</b>	Specify the e-mail address to which the printer sends job accounting logs.
<b>Log File Prefix</b>	Specify the prefix for the log files. <b>Note:</b> The current host name defined in the TCP/IP menu is used as the default log file prefix.
<b>Note:</b> An asterisk (*) next to a value indicates the factory default setting.	

## XPS

Menu item	Description
<b>Print Error Pages</b> Off* On	Print a test page that contains information on errors.
<b>Minimum Line Width</b> 1–30 (2*)	Set the minimum stroke width of any job printed in 1200 dpi.
<b>Note:</b> An asterisk (*) next to a value indicates the factory default setting.	

## PDF

Menu item	Description
<b>Scale To Fit</b> Off* On	Scale the page content to fit the selected paper size.
<b>Annotations</b> Print Do Not Print*	Specify whether to print annotations in the PDF.
<b>Print PDF Error</b> Off On*	Enable the printing of PDF error.
<b>Note:</b> An asterisk (*) next to a value indicates the factory default setting.	

## PostScript

Menu item	Description
<b>Print PS Error</b> Off* On	Print a page that describes the PostScript® error. <b>Note:</b> When an error occurs, processing of the job stops, the printer prints an error message, and the rest of the print job is flushed.
<b>Minimum Line Width</b> 1–30 (2*)	Set the minimum stroke width. <b>Note:</b> Jobs printed in 1200 dpi use the value directly.
<b>Lock PS Startup Mode</b> Off On*	Disable the SysStart file.
<b>Image Smoothing</b> Off* On	Enhance the contrast and sharpness of low-resolution images. <b>Note:</b> This setting has no effect on images with a resolution of 300 dpi or higher.
<b>Note:</b> An asterisk (*) next to a value indicates the factory default setting.	

Menu item	Description
<b>Font Priority</b> Resident* Flash/Disk	Establish the font search order.  <b>Notes:</b> <ul style="list-style-type: none"> <li>Resident sets the printer to search its memory for the requested font before searching the flash memory or printer hard disk.</li> <li>Flash/Disk sets the printer to search the flash memory or printer hard disk for the requested font before searching the printer memory.</li> <li>This menu item appears only when a flash memory or hard disk is installed.</li> </ul>
<b>Wait Timeout</b> Off On* (40 seconds)	Enable the printer to wait for more data before canceling a print job.
<b>Note:</b> An asterisk (*) next to a value indicates the factory default setting.	

## PCL

Menu item	Description
<b>Font Source</b> Resident* Disk Flash All	Choose the source which contains the default font selection.  <b>Notes:</b> <ul style="list-style-type: none"> <li>Flash and Disk appear only when a flash memory or hard disk is installed.</li> <li>For Flash and Disk to appear, make sure that they are not read- or write-protected.</li> </ul>
<b>Font Name</b> Courier*	Select a font from the specified font source.
<b>Symbol Set</b> 10U PC-8*	Specify the symbol set for each font name.  <b>Note:</b> A symbol set is a set of alphabetic and numeric characters, punctuation, and special symbols. Symbol sets support the different languages or specific programs such as math symbols for scientific text.
<b>Pitch</b> 0.08–100 (10*)	Specify the pitch for fixed or monospaced fonts.  <b>Note:</b> Pitch refers to the number of fixed-space characters in a horizontal inch of type.
<b>Orientation</b> Portrait* Landscape	Specify the orientation of text and graphics on the page.
<b>Note:</b> An asterisk (*) next to a value indicates the factory default setting.	

Menu item	Description
<b>Lines per Page</b> 1–255	Specify the number of lines of text for each page printed through the PCL® datastream.  <b>Notes:</b> <ul style="list-style-type: none"> <li>• This menu item activates vertical escapement that causes the selected number of requested lines to print between the default margins of the page.</li> <li>• 60 is the U.S. factory default setting. 64 is the international factory default setting.</li> </ul>
<b>PCL5 Minimum Line Width</b> 1–30 (2*)	Set the initial minimum stroke width. <b>Note:</b> Jobs printed in 1200 dpi use the value directly.
<b>PCLXL Minimum Line Width</b> 1–30 (2*)	
<b>A4 Width</b> 198 mm* 203 mm	Set the width of the logical page on A4-size paper. <b>Note:</b> Logical page is the space on the physical page where data is printed.
<b>Auto CR after LF</b> Off* On	Set the printer to perform a carriage return after a line feed control command.  <b>Note:</b> Carriage return is a mechanism that commands the printer to move the position of the cursor to the first position on the same line.
<b>Auto LF after CR</b> Off* On	Set the printer to perform a line feed after a carriage return control command.
<b>Tray Renumber</b> Assign MP Feeder Assign Tray [x] Assign Manual Paper Assign Manual Envelope	Configure the printer to work with a different print driver or custom application that uses a different set of source assignments to request a given paper source.  Choose from the following options: Off*—The printer uses the factory default paper source assignments. None—The paper source ignores the Select Paper Feed command. 0–199—Select a numeric value to assign a custom value to a paper source.
<b>Tray Renumber</b> View Factory Defaults	Show the factory default value assigned for each paper source.
<b>Tray Renumber</b> Restore Defaults	Restore the tray renumber values to their factory defaults.
<b>Print Timeout</b> Off On* (90 seconds)	Set the printer to end a print job after it has been idle for the specified amount of time.
<b>Note:</b> An asterisk (*) next to a value indicates the factory default setting.	

## HTML

Menu item	Description
<b>Font Name</b> Times*	Set the font to use when printing HTML documents.
<b>Font Size</b> 1–255 (12*)	Set the font size to use when printing HTML documents.
<b>Scale</b> 1–400% (100*)	Scale HTML documents for printing.
<b>Orientation</b> Portrait* Landscape	Set the page orientation for HTML documents.
<b>Margin Size</b> 8–255 mm (19*)	Set the page margin for HTML documents.
<b>Backgrounds</b> Do Not Print Print*	Print background information or graphics in HTML documents.
<b>Note:</b> An asterisk (*) next to a value indicates the factory default setting.	

## Image

Menu item	Description
<b>Auto Fit</b> On Off*	Select the best available paper size and orientation setting for an image. <b>Note:</b> When set to On, this menu item overrides the scaling and orientation settings for the image.
<b>Invert</b> Off* On	Invert bitonal monochrome images. <b>Note:</b> This menu item does not apply to GIF or JPEG image formats.
<b>Scaling</b> Anchor Top Left Best Fit* Anchor Center Fit Height/Width Fit Height Fit Width	Adjust the image to fit the printable area. <b>Note:</b> When Auto Fit is set to On, Scaling is automatically set to Best Fit.
<b>Orientation</b> Portrait* Landscape Reverse Portrait Reverse Landscape	Specify the orientation of text and graphics on the page.
<b>Note:</b> An asterisk (*) next to a value indicates the factory default setting.	

# Paper

## Tray Configuration

Menu item	Description
<b>Default Source</b> Tray [x] (1*) Multipurpose Feeder Manual Paper Manual Envelope	Set the paper source for all print jobs.
<b>Paper Size/Type</b> Tray [x] Multi-Purpose Feeder Manual Paper Manual Envelope	Specify the paper size or paper type loaded in each paper source.
<b>Substitute Size</b> Off Statement/A5 Letter/A4 11 x 17/A3 All Listed*	Set the printer to substitute a specified paper size if the requested size is not loaded in any paper source.  <b>Notes:</b> <ul style="list-style-type: none"> <li>• Off prompts the user to load the required paper size.</li> <li>• All Listed allows all available substitutions.</li> </ul>
<b>Configure MP</b> Cassette* Manual First	Determine the behavior of the multipurpose feeder.  <b>Notes:</b> <ul style="list-style-type: none"> <li>• Cassette configures the multipurpose feeder as the automatic paper source.</li> <li>• Manual sets the multipurpose feeder only for manual-feed print jobs.</li> <li>• First configures the multipurpose feeder as the primary paper source.</li> </ul>
<b>Note:</b> An asterisk (*) next to a value indicates the factory default setting.	

## Media Configuration

### Universal Setup

Menu item	Description
<b>Units of Measure</b> Inches Millimeters	Specify the unit of measurement for the universal paper.  <b>Note:</b> Inches is the U.S. factory default setting. Millimeters is the international factory default setting.
<b>Portrait Width</b> 3–52 inches (8.5*) 76–1321 mm (216*)	Set the portrait width of the universal paper.
<b>Note:</b> An asterisk (*) next to a value indicates the factory default setting.	

Menu item	Description
<b>Portrait Height</b> 3–52 inches (14*) 76.2–1321 mm (356*)	Set the portrait height of the universal paper.
<b>Feed Direction</b> Short Edge* Long Edge	Set the printer to pick paper from the short edge or long edge direction.  <b>Note:</b> Long Edge appears only when the longest edge is shorter than the maximum width supported.
<b>Note:</b> An asterisk (*) next to a value indicates the factory default setting.	

## Media Types

Menu item	Description
Plain Card Stock Recycled Transparency Glossy Heavy Glossy Labels Vinyl Labels Bond Envelope Rough Envelope Letterhead Preprinted Colored Paper Light Heavy Rough/Cotton Custom Type [X]	Specify the texture, weight, and orientation of the paper.

## Bin Configuration

Menu item	Description
<b>Output Bin</b> Standard Bin* Bin [x]	Specify the output bin.
<b>Note:</b> An asterisk (*) next to a value indicates the factory default setting.	



Menu item	Description
<b>Configure Bins</b> Mailbox* Link Link Optional Type Assignment	Configure the mode of operation for the output bins.  <b>Notes:</b> <ul style="list-style-type: none"> <li>• Mailbox allows the standard bin and any optional bin to be selected individually.</li> <li>• Link allows all output bins to be linked together as though they were one large bin.</li> <li>• Link Optional treats all optional bins as one large output bin.</li> <li>• Type Assignment assigns each paper type a bin or a linked bin set.</li> </ul>
<b>Custom Bin Names</b> Standard Bin Bin [x]	Assign a name for the bin.
<b>Note:</b> An asterisk (*) next to a value indicates the factory default setting.	

## USB Drive

### Flash Drive Print

Menu item	Description
<b>Number of Copies</b> 1–9999 (1*)	Set the number of copies.
<b>Paper Source</b> Tray [x] (1*) Multipurpose Feeder Manual Paper Manual Envelope	Set the paper source for the print job.
<b>Color</b> Off On*	Print a flash drive file in color.
<b>Collate</b> (1,1,1) (2,2,2) (1,2,3) (1,2,3)*	Keep the pages of a print job stacked in sequence, particularly when printing multiple copies of the job.
<b>Sides</b> 1-Sided* 2-Sided	Specify whether to print on one side or both sides of the paper.
<b>Note:</b> An asterisk (*) next to a value indicates the factory default setting.	

Menu item	Description
<b>Staple</b> Off* 1 staple, top left corner 1 staple, top left corner 2 staples, left 1 staple, top right corner 2 staples, top 1 staple, bottom left corner 2 staples, bottom 1 staple, bottom right corner 2 staples, right	Specify the staple position for all print jobs. <b>Note:</b> This menu item appears only when a staple finisher is installed.
<b>Hole Punch</b> Off* 2 holes 3 holes	Set the punch mode for all print jobs. <b>Note:</b> This menu item appears only when a staple finisher is installed.
<b>Offset Pages</b> None* Between Copies Between Jobs	Offset the output of each print job or each copy of a print job. <b>Notes:</b> <ul style="list-style-type: none"> <li>• Between Copies offsets each copy of a print job if Collate is set to On [1,2,1,2,1,2]. If Collate is set to Off [1,1,2,2,2], then each set of printed pages is offset, such as all page 1s and all page 2s.</li> <li>• Between Jobs sets the same offset position for the entire print job regardless of the number of copies printed.</li> <li>• This menu item appears only when a finisher is installed.</li> </ul>
<b>Flip Style</b> Long Edge* Short Edge	Determine which side of the paper is bound when performing two-sided printing.
<b>Pages per Side</b> Off* 2 pages per side 3 pages per side 4 pages per side 6 pages per side 9 pages per side 12 pages per side 16 pages per side	Print multiple page images on one side of a sheet of paper.
<b>Pages per Side Ordering</b> Horizontal* Reverse Horizontal Reverse Vertical Vertical	Specify the positioning of multiple page images when using Pages per Side menu.

**Note:** An asterisk (\*) next to a value indicates the factory default setting.

Menu item	Description
<b>Pages per Side Orientation</b> Auto* Landscape Portrait	Specify the orientation of multiple page images when using Pages per Side menu.
<b>Pages per Side Border</b> None* Solid	Print a border around each page image when using Pages per Side menu.
<b>Separator Sheets</b> Off* Between Copies Between Jobs Between Pages	Insert blank separator sheets when printing.
<b>Separator Sheet Source</b> Tray [x] (1*) Multipurpose Feeder	Specify the paper source for the separator sheet.
<b>Blank Pages</b> Do Not Print* Print	Print blank pages in a print job.
<b>Note:</b> An asterisk (*) next to a value indicates the factory default setting.	

## Network/Ports

### Network Overview

Menu item	Description
<b>Active Adapter</b> Auto* Standard Network Wireless	Specify the type of the network connection.  <b>Note:</b> Wireless is available only in printers connected to a wireless network.
<b>Network Status</b>	Show the connectivity status of the printer network.
<b>Display Network Status on Printer</b> Off On*	Show the network status on the display.
<b>Speed, Duplex</b>	Show the speed of the currently active network card.
<b>IPv4</b>	Show the IPv4 address.
<b>All IPv6 Addresses</b>	Show all IPv6 addresses.
<b>Note:</b> An asterisk (*) next to a value indicates the factory default setting.	

Menu item	Description
<b>Reset Print Server</b>	Reset all active network connections to the printer. <b>Note:</b> This setting removes all network configuration settings.
<b>Network Job Timeout</b> Off On* (90 seconds)	Set the time before the printer cancels a network print job.
<b>Banner Page</b> Off* On	Print a banner page.
<b>Enable Network Connections</b> Off On*	Enable the printer to connect to a network.
<b>Enable LLDP</b> Off* On	Enable Link Layer Discovery Protocol (LLDP) in the printer.
<b>Note:</b> An asterisk (*) next to a value indicates the factory default setting.	

## Wireless

**Note:** This menu is available only in printers connected to a Wi-Fi network or printers that have a wireless network adapter.

Menu item	Description
<b>Setup Using Mobile App</b>	Configure the Wi-Fi connection using Lexmark Mobile Assistant.
<b>Setup On Printer Panel</b> Choose Network Add Wi-Fi Network Network Name Network Mode Infrastructure Wireless Security Mode Disabled* WEP WPA2/WPA - Personal WPA2 - Personal 802.1x - RADIUS	Configure the Wi-Fi connection using the control panel. <b>Note:</b> 802.1x - RADIUS can be configured only from the Embedded Web Server.

Menu item	Description
<b>Wi-Fi Protected Setup</b> WPS Auto Detect Off On* Start Push Button Method Start PIN Method	Establish a Wi-Fi network and enable network security.  <b>Notes:</b> <ul style="list-style-type: none"> <li>• WPS Auto Detect appears only when the Wireless Security Mode is set to WEP.</li> <li>• Start Push-Button Method connects the printer to a Wi-Fi network when buttons on both the printer and the access point (wireless router) are pressed within a given time.</li> <li>• Start PIN Method connects the printer to a Wi-Fi network when a PIN on the printer is entered into the wireless settings of the access point.</li> </ul>
<b>Network Mode</b> BSS Type Infrastructure*	Specify the network mode.
<b>Enable Wi-Fi Direct</b> On Off*	Enable Wi-Fi Direct-capable devices to connect directly to the printer.
<b>Compatibility</b> 802.11b/g/n (2.4GHz)* 802.11a/b/g/n/ac (2.4GHz/5GHz) 802.11a/n/ac (5GHz)	Specify the standard for the Wi-Fi network.  <b>Note:</b> 802.11a/b/g/n/ac (2.4GHz/5GHz) and 802.11a/n/ac (5GHz) only appear when a Wi-Fi option is installed.
<b>Wireless Security Mode</b> Disabled* WEP WPA2/WPA-Personal WPA2-Personal 802.1x - RADIUS	Set the security mode for connecting the printer to Wi-Fi devices.  <b>Note:</b> 802.1x - RADIUS can be configured only from the Embedded Web Server.
<b>WEP Authentication Mode</b> Auto* Open Shared	Set the type of Wireless Encryption Protocol (WEP) for the printer.  <b>Note:</b> This menu item appears only when the Wireless Security Mode is set to WEP.
<b>Set WEP Key</b>	Specify a WEP password for secure Wi-Fi connection.
<b>WPA2/WPA Personal</b> AES	Enable Wi-Fi security through Wi-Fi Protected Access (WPA).  <b>Note:</b> This menu item appears only when the Wireless Security Mode is set to WPA2/WPA-Personal.
<b>Set Pre-Shared Key</b>	Set the password for secure Wi-Fi connection.
<b>WPA2-Personal</b> AES	Enable Wi-Fi security through WPA2.  <b>Note:</b> This menu item appears only when the Wireless Security Mode is set to WPA2-Personal.

Menu item	Description
<b>802.1x Encryption Mode</b> WPA+ WPA2*	Enable Wi-Fi security through 802.1x standard.  <b>Notes:</b> <ul style="list-style-type: none"> <li>• This menu item appears only when the Wireless Security Mode is set to 802.1x - RADIUS.</li> <li>• 802.1x - RADIUS can be configured only from the Embedded Web Server.</li> </ul>
<b>IPv4</b> Enable DHCP On* Off Set Static IP Address IP Address Netmask Gateway	Enable and configure IPv4 settings in the printer.
<b>IPv6</b> Enable IPv6 On* Off Enable DHCPv6 On Off* Stateless Address Autoconfiguration On* Off DNS Server Address Manually Assigned IPv6 Address Manually Assigned IPv6 Router Address Prefix All IPv6 Addresses All IPv6 Router Addresses	Enable and configure IPv6 settings in the printer.
<b>Network Address</b> UAA LAA	View the network addresses.
<b>PCL SmartSwitch</b> Off On*	Set the printer to switch automatically to PCL emulation when a print job requires it, regardless of the default printer language.  <b>Note:</b> If PCL SmartSwitch is off, then the printer does not examine incoming data and uses the default printer language specified in the Setup menu.
<b>PS SmartSwitch</b> Off On*	Set the printer to switch automatically to PS emulation when a print job requires it, regardless of the default printer language.  <b>Note:</b> If PS SmartSwitch is off, then the printer does not examine incoming data and uses the default printer language specified in the Setup menu.

Menu item	Description
<b>Job Buffering</b> On Off*	Temporarily store print jobs in the printer hard disk before printing. <b>Note:</b> This menu item appears only when a hard disk is installed.
<b>Mac Binary PS</b> Auto* On Off	Set the printer to process Macintosh binary PostScript print jobs. <b>Notes:</b> <ul style="list-style-type: none"> <li>• On processes raw binary PostScript print jobs.</li> <li>• Off filters print jobs using the standard protocol.</li> </ul>

## Ethernet

Menu item	Description
<b>Network Speed</b>	Show the speed of the active network adapter.
<b>IPv4</b> Enable DHCP (On*) Set Static IP Address	Configure the IPv4 settings.
<b>IPv6</b> Enable IPv6 (On*) Enable DHCPv6 (Off*) Stateless Address Autoconfiguration (On*) DNS Server Address Manually Assigned IPv6 Address Manually Assigned IPv6 Router Address Prefix (64*) All IPv6 Addresses All IPv6 Router Addresses	Configure the IPv6 settings.
<b>Network Address</b> UAA LAA	Specify the network address.
<b>PCL SmartSwitch</b> Off On*	Set the printer to switch automatically to PCL emulation when a print job requires it, regardless of the default printer language. <b>Note:</b> When this setting is disabled, the printer does not examine incoming data and uses the default printer language specified in the Setup menu.
<b>PS SmartSwitch</b> Off On*	Set the printer to switch automatically to PostScript emulation when a print job requires it, regardless of the default printer language. <b>Note:</b> When this setting is disabled, the printer does not examine incoming data and uses the default printer language specified in the Setup menu.
<b>Job Buffering</b> Off* On	Temporarily store jobs on the hard disk before printing. <b>Note:</b> This menu item appears only when a hard disk is installed.
<b>Note:</b> An asterisk (*) next to a value indicates the factory default setting.	

Menu item	Description
<b>Mac Binary PS</b> Auto* On Off	Set the printer to process Macintosh binary PostScript print jobs.  <b>Notes:</b> <ul style="list-style-type: none"> <li>• Auto processes print jobs from computers using either Windows or Macintosh operating systems.</li> <li>• Off filters PostScript print jobs using the standard protocol.</li> </ul>
<b>Energy Efficient Ethernet</b> On Off Auto*	Reduce power consumption when the printer does not receive data from the Ethernet network.
<b>Note:</b> An asterisk (*) next to a value indicates the factory default setting.	

## TCP/IP

**Note:** This menu appears only in network printers or printers attached to print servers.

Menu item	Description
<b>Set Hostname</b>	Set the current TCP/IP host name.
<b>Domain Name</b>	Set the domain name.
<b>Allow DHCP/BOOTP to update NTP server</b> On* Off	Allow the DHCP and BOOTP clients to update the NTP settings of the printer.
<b>Zero Configuration Name</b>	Specify a service name for the zero configuration network.
<b>Enable Auto IP</b> Off* On	Assign an IP address automatically.
<b>DNS Server Address</b>	Specify the current Domain Name System (DNS) server address.
<b>Backup DNS Address</b>	Specify the backup DNS server addresses.
<b>Backup DNS Address 2</b>	
<b>Backup DNS Address 3</b>	
<b>Domain Search Order</b>	Specify a list of domain names to locate the printer and its resources that reside in different domains on the network.
<b>Enable DDNS</b> Off* On	Update the Dynamic DNS settings.
<b>DDNS TTL</b>	Specify the current DDNS settings.
<b>Default TTL</b>	
<b>DDNS Refresh Time</b>	
<b>Note:</b> An asterisk (*) next to a value indicates the factory default setting.	



Menu item	Description
<b>Enable mDNS</b> Off On*	Update the multicast DNS settings.
<b>WINS Server Address</b>	Specify a server address for Windows Internet Name Service (WINS).
<b>Enable BOOTP</b> Off* On	Allow the BOOTP to assign a printer IP address.
<b>Restricted Server List</b>	Specify the IP addresses that are allowed to communicate with the printer over TCP/IP.  <b>Notes:</b> <ul style="list-style-type: none"> <li>• Use a comma to separate each IP address.</li> <li>• You can add up to 50 IP addresses.</li> </ul>
<b>Restricted Server List Options</b> Block All Ports* Block Printing Only Block Printing and HTTP Only	Specify the access option for IP addresses that are not in the list.
<b>MTU</b> 256–1500 Ethernet (1500*)	Specify a maximum transmission unit (MTU) parameter for the TCP connections.
<b>Raw Print Port</b> 1–65535 (9100*)	Specify a raw port number for printers connected on a network.
<b>Outbound Traffic Maximum Speed</b> Off* On	Set the maximum transfer rate of the printer. <b>Note:</b> When enabled, the option for this setting is 100–1000000 Kilobits/second.
<b>Enable TLSv1.0</b> Off On*	Enable the TLSv1.0 protocol.
<b>Enable TLSv1.1</b> Off On*	Enable the TLSv1.1 protocol.
<b>SSL Cipher List</b>	Specify the cipher algorithms to use for the SSL or the TLS connections.
<b>Note:</b> An asterisk (*) next to a value indicates the factory default setting.	

## SNMP

**Note:** This menu appears only in network printers or printers that are attached to print servers.

Menu item	Description
<p><b>SNMP Versions 1 and 2c</b></p> <ul style="list-style-type: none"> <li>Enabled</li> <li>Off</li> <li>On*</li> <li>Allow SNMP Set</li> <li>Off</li> <li>On*</li> <li>Enable PPM MIB</li> <li>Off</li> <li>On*</li> <li>SNMP Community</li> </ul>	<p>Configure Simple Network Management Protocol (SNMP) versions 1 and 2c to install print drivers and applications.</p>
<p><b>SNMP Version 3</b></p> <ul style="list-style-type: none"> <li>Enabled</li> <li>Off</li> <li>On*</li> <li>Set Read/Write Credentials                             <ul style="list-style-type: none"> <li>User Name</li> <li>Password</li> </ul> </li> <li>Set Read-only Credentials                             <ul style="list-style-type: none"> <li>User Name</li> <li>Password</li> </ul> </li> <li>Authentication Hash                             <ul style="list-style-type: none"> <li>MD5</li> <li>SHA1*</li> </ul> </li> <li>Minimum Authentication Level                             <ul style="list-style-type: none"> <li>No Authentication, No Privacy</li> <li>Authentication, No Privacy</li> <li>Authentication, Privacy*</li> </ul> </li> <li>Privacy Algorithm                             <ul style="list-style-type: none"> <li>DES</li> <li>AES-128*</li> </ul> </li> </ul>	<p>Configure SNMP version 3 to install and update the printer security.</p>
<p><b>Note:</b> An asterisk (*) next to a value indicates the factory default setting.</p>	

## IPSec

**Note:** This menu appears only in network printers or printers that are attached to print servers.

Menu item	Description
<p><b>Enable IPSec</b></p> <ul style="list-style-type: none"> <li>Off</li> <li>On*</li> </ul>	<p>Enable Internet Protocol Security (IPSec).</p>
<p><b>Note:</b> An asterisk (*) next to a value indicates the factory default setting.</p>	

Menu item	Description
<b>Base Configuration</b> Default* Compatibility Secure	Set the IPSec base configuration.
<b>DH (Diffie-Hellman) Group Proposal</b> modp2048 (14)* modp3072 (15) modp4096 (16) modp6144 (17)	Set the IPSec base configuration.  <b>Note:</b> This menu item appears only when Base Configuration is set to Compatibility.
<b>Proposed Encryption Method</b> 3DES AES*	Set the encryption method.  <b>Note:</b> This menu item appears only when Base Configuration is set to Compatibility.
<b>Proposed Authentication Method</b> SHA1 SHA256* SHA512	Set the authentication method.  <b>Note:</b> This menu item appears only when Base Configuration is set to Compatibility.
<b>IKE SA Lifetime (Hours)</b> 1 2 4 8 24*	Specify the IKE SA expiry period.  <b>Note:</b> This menu item appears only when Base Configuration is set to Secure.
<b>IPSec SA Lifetime (Hours)</b> 1 2 4 8* 24	Specify the IPSec SA expiry period.  <b>Note:</b> This menu item appears only when Base Configuration is set to Secure.
<b>IPSec Device Certificate</b>	Specify an IPSec certificate.
<b>Pre-Shared Key Authenticated Connections</b> Host [x]	Configure the authenticated connections of the printer.
<b>Certificate Authenticated Connections</b> Host [x] Address[/subnet]	
<b>Note:</b> An asterisk (*) next to a value indicates the factory default setting.	

## 802.1x

**Note:** This menu appears only in network printers or printers that are attached to print servers.

Menu item	Description
<b>Active</b> Off* On	Let the printer join networks that require authentication before allowing access.
<b>Note:</b> An asterisk (*) next to a value indicates the factory default setting.	

## LPD Configuration

**Note:** This menu appears only in network printers or printers that are attached to print servers.

Menu item	Description
<b>LPD Timeout</b> 0–65535 seconds (90*)	Set the time-out value to stop the Line Printer Daemon (LPD) server from waiting indefinitely for hung or invalid print jobs.
<b>LPD Banner Page</b> Off* On	Print a banner page for all LPD print jobs. <b>Note:</b> A banner page is the first page of a print job used as a separator of print jobs and to identify the originator of the print job request.
<b>LPD Trailer Page</b> Off* On	Print a trailer page for all LPD print jobs. <b>Note:</b> A trailer page is the last page of a print job.
<b>LPD Carriage Return Conversion</b> Off* On	Enable carriage return conversion. <b>Note:</b> Carriage return is a mechanism that commands the printer to move the position of the cursor to the first position on the same line.
<b>Note:</b> An asterisk (*) next to a value indicates the factory default setting.	

## HTTP/FTP Settings

Menu item	Description
<b>Enable HTTP Server</b> Off On*	Access the Embedded Web Server to monitor and manage the printer.
<b>Enable HTTPS</b> Off On*	Enable Hypertext Transfer Protocol Secure (HTTPS) to encrypt data transferring to and from the print server.
<b>Force HTTPS Connections</b> On Off*	Force the printer to use HTTPS connections.
<b>Enable FTP/TFTP</b> Off On*	Send files using FTP/TFTP.
<b>Note:</b> An asterisk (*) next to a value indicates the factory default setting.	

Menu item	Description
<b>Local Domains</b>	Specify domain names for HTTP and FTP servers.
<b>HTTP Proxy IP Address</b>	Configure the HTTP and FTP server settings.
<b>FTP Proxy IP Address</b>	
<b>HTTP Default IP Port</b>	
<b>HTTPS Device Certificate</b>	
<b>FTP Default IP Port</b>	
<b>Timeout for HTTP/FTP Requests</b> 1–299 (30*)	Specify the amount of time before the server connection stops.
<b>Retries for HTTP/FTP Requests</b> 1–299 (3*)	Set the number of retries to connect to the HTTP/FTP server.
<b>Note:</b> An asterisk (*) next to a value indicates the factory default setting.	

## USB

Menu item	Description
<b>PCL SmartSwitch</b> Off On*	Set the printer to switch to PCL emulation when a print job received through a USB port requires it, regardless of the default printer language. <b>Note:</b> When this setting is disabled, the printer does not examine incoming data and uses the default printer language specified in the Setup menu.
<b>PS SmartSwitch</b> Off On*	Set the printer to switch to PostScript emulation when a print job received through a USB port requires it, regardless of the default printer language. <b>Note:</b> When this setting is disabled, the printer does not examine incoming data and uses the default printer language specified in the Setup menu.
<b>Job Buffering</b> Off* On	Temporarily store jobs on the hard disk before printing. <b>Note:</b> This menu item appears only when a hard disk is installed.
<b>Mac Binary PS</b> Auto* On Off	Set the printer to process Macintosh binary PostScript print jobs. <b>Notes:</b> <ul style="list-style-type: none"> <li>• Auto processes print jobs from computers using either Windows or Macintosh operating systems.</li> <li>• Off filters PostScript print jobs using the standard protocol.</li> </ul>
<b>Enable USB Port</b> Off On*	Enable the front USB drive port.
<b>Note:</b> An asterisk (*) next to a value indicates the factory default setting.	

## Restrict external network access

Menu item	Description
<b>Restrict external network access</b> Off* On	Restrict access to network sites.
<b>External network address</b>	Specify the network addresses with restricted access.
<b>E-mail address for notification</b>	Specify an e-mail address to send a notification of logged events.
<b>Ping frequency</b> 1–300 (10*)	Specify the network query interval in seconds.
<b>Subject</b>	Specify the subject and message of the notification e-mail.
<b>Message</b>	
<b>Note:</b> An asterisk (*) next to a value indicates the factory default setting.	

## Google Cloud Print

Menu item	Description
<b>Registration</b> Register	Register the printer to the Google Cloud Print server.
<b>Options</b> Enable Google Cloud Print Off On*	Print directly from your Google account.
<b>Options</b> Enable Local Discovery Off On*	Allow the registered user and other users on the same subnet to send jobs to the printer locally.
<b>Options</b> Enable SSL Peer Verification Off On*	Verify authenticity of the peer certificate to connect to your Google account.
<b>Options</b> Always Print As Image Off* On	Set the printer to process PDF files as an image for faster printing.
<b>Note:</b> An asterisk (*) next to a value indicates the factory default setting.	

## Wi-Fi Direct

**Note:** This menu appears only when a direct Wi-Fi network is the active network.

Menu item	Description
<b>SSID</b>	Specify the service set identifier (SSID) of the Wi-Fi network.
<b>Preferred Channel Number</b> Auto 1–11 (6*)	Show the PSK on the Network Setup Page.
<b>Set PSK</b>	Set the preshared key (PSK) to authenticate and validate users on a Wi-Fi connection.
<b>Show PSK on Setup Page</b> Off On*	Show the PSK on the Network Setup Page.
<b>Group Owner IP Address</b>	Specify the IP address of the group owner.
<b>Auto-Accept Push Button Requests</b> Off* On	Accept requests to connect to the network automatically. <b>Note:</b> Accepting clients automatically is not secure.
<b>Note:</b> An asterisk (*) next to a value indicates the factory default setting.	

## Security

### Login Methods

### Manage Permissions

Menu item	Description
<b>Function Access</b> Manage Shortcuts Modify Address Book Create Profiles Manage Bookmarks Flash Drive Print Flash Drive Color Printing Held Jobs Access Use Profiles Cancel Jobs at the Device Change Language Internet Printing Protocol (IPP) B/W Print Color Print	Control access to the printer functions.

Menu item	Description
<b>Administrative Menus</b> Security Menu Network/Ports Menu Paper Menu Reports Menu Function Configuration Menus Supplies Menu Option Card Menu SE Menu Device Menu	Control access to the printer menu settings.
<b>Device Management</b> Remote Management Firmware Updates Apps Configuration Import / Export All Settings Out of Service Erase	Control access to the printer management options.
<b>Apps</b> New Apps Slideshow Change Wallpaper Screen Saver Forms and Favorites Eco-Settings	Control access to printer applications.

### Local Accounts

Menu item	Description
<b>Manage Groups/Permissions</b>	Show a list of all saved groups in the printer.
<b>Add User</b> User Name/Password User Name Password PIN	Create local accounts and specify their access to the printer functions, administrative menus, printer management options, and applications.

### Schedule USB Devices

Menu item	Description
<b>Schedules</b> Add New Schedule	Schedule access to the front USB port.



## Security Audit Log

Menu item	Description
<b>Enable Audit</b> Off* On	Record the events in the secure audit log and remote syslog.
<b>Enable Remote Syslog</b> Off* On	Send audit logs to a remote server.
<b>Remote Syslog Server</b>	Specify the remote syslog server.
<b>Remote Syslog Port</b> 1–65535 (514*)	Specify the remote syslog port.
<b>Remote Syslog Method</b> Normal UDP* Stunnel	Specify a syslog method to transmit logged events to a remote server.
<b>Remote Syslog Facility</b> 0 - Kernel Messages 1 - User-Level Messages 2 - Mail System 3 - System Daemons 4 - Security/Authorization Messages* 5 - Messages Generated Internally by Syslogs 6 - Line Printer Subsystem 7 - Network News Subsystem 8 - UUCP Subsystem 9 - Clock Daemon 10 - Security/Authorization Messages 11 - FTP Daemon 12 - NTP Subsystem 13 - Log Audit 14 - Log Alert 15 - Clock Daemon 16 - Local Use 0 (local0) 17 - Local Use 1 (local1) 18 - Local Use 2 (local2) 19 - Local Use 3 (local3) 20 - Local Use 4 (local4) 21 - Local Use 5 (local5) 22 - Local Use 6 (local6) 23 - Local Use 7 (local7)	Specify a facility code that the printer uses when sending log events to a remote server.
<b>Note:</b> An asterisk (*) next to a value indicates the factory default setting.	

Menu item	Description
<b>Severity of Events to Log</b> 0 - Emergency 1 - Alert 2 - Critical 3 - Error 4 - Warning* 5 - Notice 6 - Informational 7 - Debug	Specify the priority level cutoff for logging messages and events.
<b>Remote Syslog Non-Logged Events</b> Off* On	Send all events, regardless of severity level, to the remote server.
<b>Admin's E-mail Address</b>	Send e-mail notification of logged events to the administrator.
<b>E-mail Log Cleared Alert</b> Off* On	Send e-mail notification to the administrator when a log entry is deleted.
<b>E-mail Log Wrapped Alert</b> Off* On	Send e-mail notification to the administrator when the log becomes full and begins to overwrite the oldest entries.
<b>Log Full Behavior</b> Wrap Over Older Entries* E-mail Log Then Delete All Entries	Resolve log storage issues when the log fills its allotted memory.
<b>E-mail % Full Alert</b> Off* On	Send e-mail notification to the administrator when the log fills its allotted memory.
<b>% Full Alert Level</b> 1–99 (90*)	
<b>E-mail Log Exported Alert</b> Off* On	Send e-mail notification to the administrator when a log is exported.
<b>E-mail Log Settings Changed Alert</b> Off* On	Send e-mail notification to the administrator when Enable Audit is set.
<b>Log Line Endings</b> LF (\n)* CR (\r) CRLF (\r\n)	Specify how the log file terminates the end of each line.
<b>Note:</b> An asterisk (*) next to a value indicates the factory default setting.	

Menu item	Description
<b>Digitally Sign Exports</b> Off* On	Add a digital signature to each exported log file.
<b>Clear Log</b>	Delete all audit logs.
<b>Export Log</b> Syslog (RFC 5424) Syslog (RFC 3164) CSV	Export a security log to a flash drive.
<b>Note:</b> An asterisk (*) next to a value indicates the factory default setting.	

## Login Restrictions

Menu item	Description
<b>Login failures</b> 1–10 (3*)	Specify the number of failed login attempts before the user gets locked out.
<b>Failure time frame</b> 1–60 minutes (5*)	Specify the time frame between failed login attempts before the user gets locked out.
<b>Lockout time</b> 1–60 minutes (5*)	Specify the lockout duration.
<b>Web Login Timeout</b> 1–120 minutes (10*)	Specify the delay for a remote login before the user is logged off automatically.
<b>Note:</b> An asterisk (*) next to a value indicates the factory default setting.	

## Confidential Print Setup

Menu item	Description
<b>Max Invalid PIN</b> 2–10	Set the number of times an invalid PIN can be entered.  <b>Notes:</b> <ul style="list-style-type: none"> <li>• A value of zero turns off this setting.</li> <li>• When the limit is reached, the print jobs for that user name and PIN are deleted.</li> </ul>
<b>Confidential Job Expiration</b> Off* 1 Hour 4 Hours 24 Hours 1 Week	Set the expiration time for confidential print jobs.  <b>Notes:</b> <ul style="list-style-type: none"> <li>• If this menu item is changed while confidential print jobs reside in the printer memory or hard disk, then the expiration time for those print jobs does not change to the new default value.</li> <li>• If the printer is turned off, then all confidential jobs held in the printer memory are deleted.</li> </ul>
<b>Note:</b> An asterisk (*) next to a value indicates the factory default setting.	

Menu item	Description
<b>Repeat Job Expiration</b> Off* 1 Hour 4 Hours 24 Hours 1 Week	Set the expiration time for a print job that you want to repeat.
<b>Verify Job Expiration</b> Off* 1 Hour 4 Hours 24 Hours 1 Week	Set the expiration time that the printer prints a copy for the user to examine its quality, before printing the remaining copies.
<b>Reserve Job Expiration</b> Off* 1 Hour 4 Hours 24 Hours 1 Week	Set the expiration time that the printer stores print jobs for printing later.
<b>Require All Jobs to be Held</b> Off* On	Set the printer to hold all print jobs.
<b>Keep duplicate documents</b> Off* On	Set the printer to print other documents with the same file name without overwriting any of the print jobs.
<b>Note:</b> An asterisk (*) next to a value indicates the factory default setting.	

## Disk Encryption

**Note:** This menu appears only when a hard disk is installed.

Menu item	Description
<b>Status</b> Enabled Disabled	Enable disk encryption.
<b>Start encryption</b>	

## Erase Temporary Data Files

Menu item	Description
<b>Stored in onboard memory</b> Off* On	Delete all files stored on the printer memory.
<b>Stored on hard disk</b> 1 Pass Erase* 3 Pass Erase 7 Pass Erase	Delete all files stored on the printer hard disk.  <b>Note:</b> This menu item appears only when a printer hard disk is installed.
<b>Note:</b> An asterisk (*) next to a value indicates the factory default setting.	

## Solutions LDAP Settings

Menu item	Description
<b>Follow LDAP Referrals</b> Off* On	Search the different servers in the domain for the logged-in user account.
<b>LDAP Certificate Verification</b> Yes No*	Enable verification of LDAP certificates.

## Miscellaneous

Menu item	Description
<b>Protected Features</b> Show* Hide	Show all the features that Function Access Control (FAC) protects regardless of the security permission that the user has.  <b>Note:</b> Hide displays only FAC-protected features that the user has access.
<b>Print Permission</b> Off* On	Let the user log in before printing.
<b>Default Print Permission Login</b> User Name/Password* User Name	Set the default login for Print Permission.
<b>Security Reset Jumper</b> Enable "Guest" access* No Effect	Specify user access to the printer.  <b>Notes:</b> <ul style="list-style-type: none"> <li>• The jumper is located beside a lock icon on the controller board.</li> <li>• Enable "Guest" access provides anyone access to all aspects of the printer.</li> <li>• No Effect may make access to the printer impossible when the required security information is unavailable.</li> </ul>
<b>Note:</b> An asterisk (*) next to a value indicates the factory default setting.	

Menu item	Description
<b>Minimum Password Length</b> 0–32	Specify the password length.
<b>Note:</b> An asterisk (*) next to a value indicates the factory default setting.	

## Reports

### Menu Settings Page

Menu item	Description
<b>Menu Settings Page</b>	Print a report that contains the printer menus.

### Device

Menu item	Description
<b>Device Information</b>	Print a report that contains information about the printer.
<b>Device Statistics</b>	Print a report about printer usage and supply status.
<b>Profile List</b>	Print a list of profiles that are stored in the printer.
<b>Asset Report</b>	Print a report that contains the printer serial number and model name.

### Print

Menu item	Description
<b>Print Fonts</b> PCL Fonts PS Fonts	Print samples and information about the fonts that are available in each printer language.
<b>Print Directory</b>	Print the resources that are stored in the flash drive or hard disk. <b>Note:</b> This menu item appears only when a flash drive or hard disk is installed.

### Network

Menu item	Description
<b>Network Setup Page</b>	Print a page that shows the configured network and wireless settings on the printer. <b>Note:</b> This menu item appears only in network printers or printers connected to print servers.
<b>Wi-Fi Direct Connected Clients</b>	Print a page that shows the list of devices that are connected to the printer using Wi-Fi Direct. <b>Note:</b> This menu item appears only when Enable Wi-Fi Direct is set to On.

## Help

Menu item	Description
Print All Guides	Prints all the guides
Color Quality Guide	Provides information about solving color quality issues
Connection Guide	Provides information about connecting the printer locally (USB) or to a network
Information Guide	Provides information about the printer
Media Guide	Provides information about loading paper and specialty media
Moving Guide	Provides information about moving, locating, or shipping the printer
Print Quality Guide	Provides information about solving print quality issues
Supplies Guide	Provides information about ordering supplies

## Troubleshooting

### Troubleshooting

Menu item	Description
<b>Print Quality Test Pages</b>	Print sample pages to identify and correct print quality defects.

# Securing the printer

## Locating the security slot

The printer is equipped with a security lock feature. Attach a security lock compatible with most laptop computers in the location shown to secure the printer in place.



## Erasing printer memory

To erase volatile memory or buffered data in your printer, turn off the printer.

To erase nonvolatile memory or individual settings, device and network settings, security settings, and embedded solutions, do the following:

- 1 From the home screen, touch **Settings** > **Device** > **Maintenance** > **Out of Service Erase**.
- 2 Select the **Sanitize all information on nonvolatile memory** check box, and then touch **ERASE**.
- 3 Select **Start initial setup wizard** or **Leave printer offline**, and then touch **Next**.
- 4 Start the operation.

## Erasing printer hard disk memory

- 1 From the home screen, touch **Settings** > **Device** > **Maintenance** > **Out of Service Erase**.
- 2 Select the **Sanitize all information on hard disk** check box, and then touch **ERASE**.
- 3 Select a method to erase data.
- 4 Start the operation.

**Note:** This process can take from several minutes to more than an hour, making the printer unavailable for other tasks.



## Encrypting the printer hard disk

This process erases all contents in the hard disk. If necessary, back up important data from the printer before starting the encryption.

- 1 From the home screen, touch **Settings** > **Security** > **Disk Encryption** > **Start encryption**.
- 2 Follow the instructions on the display.

**Notes:**

- To avoid loss of data, do not turn off the printer during the encryption process.
- This process can take from several minutes to more than an hour, making the printer unavailable for other tasks.
- After encryption, the printer automatically restarts.

## Restoring factory default settings

- 1 From the home screen, touch **Settings** > **Device** > **Restore Factory Defaults**.
- 2 Touch **Restore Settings** > select the settings that you want to restore > **RESTORE**.
- 3 Start the operation.

## Statement of Volatility

Type of memory	Description
Volatile memory	The printer uses standard random access memory (RAM) to buffer temporarily user data during simple print and copy jobs.
Non-volatile memory	The printer may use two forms of non-volatile memory: EEPROM and NAND (flash memory). Both types are used to store the operating system, printer settings, network information, scanner and bookmark settings, and embedded solutions.
Hard disk memory	Some printers may have a hard disk drive installed. The printer hard disk is designed for printer-specific functionality. The hard disk lets the printer retain buffered user data from complex print jobs, form data, and font data.

Erase the content of any installed printer memory in the following circumstances:

- The printer is decommissioned.
- The printer hard disk is replaced.
- The printer is moved to a different department or location.
- The printer is serviced by someone from outside your organization.
- The printer is removed from your premises for service.
- The printer is sold to another organization.

**Disposing of a printer hard disk**

- **Degaussing**—Flushes the hard disk with a magnetic field that erases stored data
- **Crushing**—Physically compresses the hard disk to break component parts and render them unreadable
- **Milling**—Physically shreds the hard disk into small metal bits

**Note:** To guarantee that all data are completely erased, destroy physically each hard disk where data is stored.

# Maintaining the printer

**Warning—Potential Damage:** Failure to maintain optimum printer performance periodically, or to replace parts and supplies, may cause damage to your printer.

## Networking

**Note:** Purchase a MarkNet™ N8370 wireless print server first before setting up the printer on a wireless network. For information on installing the wireless print server, see the setup sheet that came with the option.

### Connecting the printer to a Wi-Fi network

Make sure that Active Adapter is set to Auto. From the home screen, touch **Settings > Network/Ports > Network Overview > Active Adapter**.

#### Using the control panel

- 1 From the home screen, touch **Settings > Network/Ports > Wireless > Setup On Printer Panel > Choose Network**.
- 2 Select a Wi-Fi network, and then type the network password.

**Note:** For Wi-Fi-network-ready printer models, a prompt for Wi-Fi network setup appears during initial setup.

#### Using Lexmark Mobile Assistant

- 1 Depending on your mobile device, download the Lexmark Mobile Assistant application from either the Google Play store or App Store online store.
- 2 From the printer home screen, touch **Settings > Network/Ports > Wireless > Setup Using Mobile App > Printer ID**.
- 3 From your mobile device, launch the application, and then accept the Terms of Use.  
**Note:** If necessary, grant permissions.
- 4 Tap **Connect to Printer > Go to Wi-Fi Settings**.
- 5 Connect your mobile device to the printer wireless network.
- 6 Return to the application, and then tap **Setup Wi-Fi Connection**.
- 7 Select a Wi-Fi network, and then type the network password.
- 8 Tap **Done**.

## Connecting the printer to a wireless network using Wi-Fi Protected Setup (WPS)

Before you begin, make sure that:

- The access point (wireless router) is WPS-certified or WPS-compatible. For more information, see the documentation that came with your access point.
- A wireless network adapter is installed in your printer. For more information, see the instructions that came with the adapter.
- Active Adapter is set to Auto. From the home screen, touch **Settings** > **Network/Ports** > **Network Overview** > **Active Adapter**.

### Using the Push Button method

- 1 From the home screen, touch **Settings** > **Network/Ports** > **Wireless** > **Wi-Fi Protected Setup** > **Start Push Button Method**.
- 2 Follow the instructions on the display.

### Using the personal identification number (PIN) method

- 1 From the home screen, touch **Settings** > **Network/Ports** > **Wireless** > **Wi-Fi Protected Setup** > **Start PIN Method**.
- 2 Copy the eight-digit WPS PIN.
- 3 Open a web browser, and then type the IP address of your access point in the address field.

#### Notes:

- To know the IP address, see the documentation that came with your access point.
- If you are using a proxy server, then temporarily disable it to load the web page correctly.

- 4 Access the WPS settings. For more information, see the documentation that came with your access point.
- 5 Enter the eight-digit PIN, and then save the changes.

## Connecting a mobile device to the printer

Before connecting your mobile device, make sure to do the following:

- Enable Wi-Fi Direct in the printer. From the control panel, navigate to: **Settings** > **Network/Ports** > **Wireless** > **Enable Wi-Fi Direct**.
- Show the preshared key (PSK) on the Network Setup Page. From the control panel, navigate to: **Settings** > **Network/Ports** > **Wi-Fi Direct** > **Show PSK on Setup Page**.
- Print the Network Setup Page. From the control panel, navigate to: **Settings** > **Reports** > **Network** > **Network Setup Page**.

### Connecting using Wi-Fi Direct

- 1 From the mobile device, go to the settings menu.
- 2 Enable Wi-Fi, and then tap **Wi-Fi Direct**.
- 3 Select the printer SSID.
- 4 Confirm the connection on the printer control panel.

## Connecting using Wi-Fi

1 From the mobile device, go to the settings menu.

2 Tap **Wi-Fi**, and then select the printer SSID.

**Note:** The string **DIRECT-xy** (where **x** and **y** are two random characters) is added before the SSID.

3 Enter the PSK.

**Note:** The PSK is the password.

### Notes:

- You can change the SSID on the control panel. Navigate to: **Settings > Network/Ports > Wi-Fi Direct > SSID**.
- You can also change the PSK on the control panel. Navigate to: **Settings > Network/Ports > Wi-Fi Direct > Set PSK**.

## Changing the printer port settings after installing an internal solutions port

### Notes:

- If the printer has a static IP address, then do not change the configuration.
- If the computers are configured to use the network name instead of an IP address, then do not change the configuration.
- If you are adding a wireless internal solutions port (ISP) to a printer previously configured for an Ethernet connection, then disconnect the printer from the Ethernet network.

### For Windows users

1 Open the printers folder.

2 From the shortcut menu of the printer with the new ISP, open the printer properties.

3 Configure the port from the list.

4 Update the IP address.

5 Apply the changes.

### For Macintosh users

1 From System Preferences in the Apple menu, navigate to the list of printers, and then select + > **IP**.

2 Type the IP address in the address field.

3 Apply the changes.

## Deactivating the Wi-Fi network

1 From the home screen, touch **Settings > Network/Ports > Network Overview > Active Adapter > Standard Network**.

2 Follow the instructions on the display.

## Setting up serial printing (Windows only)


- 1 Set the parameters in the printer.
  - a From the control panel, navigate to the menu for the port settings.
  - b Locate the menu for the serial port settings, and then adjust the settings, if necessary.
  - c Apply the changes.
- 2 From your computer, open the printers folder, and then select your printer.
- 3 Open the printer properties, and then select the COM port from the list.
- 4 Set the COM port parameters in Device Manager.

### Notes:

- Serial printing reduces printing speed.
- Make sure that the serial cable is connected to the serial port on your printer.

## Cleaning printer parts

### Cleaning the printer

 **CAUTION—SHOCK HAZARD:** To avoid the risk of electrical shock when cleaning the exterior of the printer, unplug the power cord from the electrical outlet and disconnect all cables from the printer before proceeding.


### Notes:

- Perform this task after every few months.
  - Damage to the printer caused by improper handling is not covered by the printer warranty.
- 1 Turn off the printer, and then unplug the power cord from the electrical outlet.
  - 2 Remove paper from the standard bin and multipurpose feeder.
  - 3 Remove any dust, lint, and pieces of paper around the printer using a soft brush or vacuum.
  - 4 Wipe the outside of the printer with a damp, soft, lint-free cloth.

### Notes:

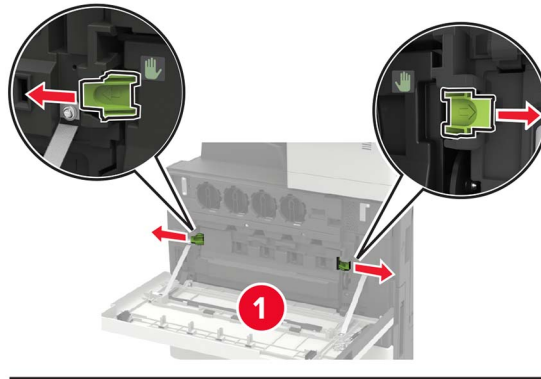
- Do not use household cleaners or detergents, as they may damage the finish of the printer.
- Make sure that all areas of the printer are dry after cleaning.

- 5 Connect the power cord to the electrical outlet, and then turn on the printer.

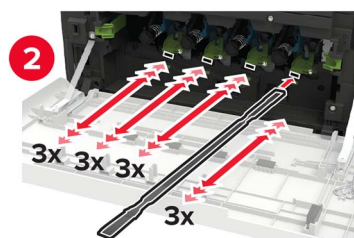
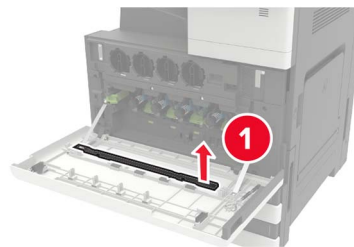
 **CAUTION—POTENTIAL INJURY:** To avoid the risk of fire or electrical shock, connect the power cord to an appropriately rated and properly grounded electrical outlet that is near the product and easily accessible.

## Cleaning the printhead lens

- 1 Open door A.
- 2 Remove the waste toner bottle.

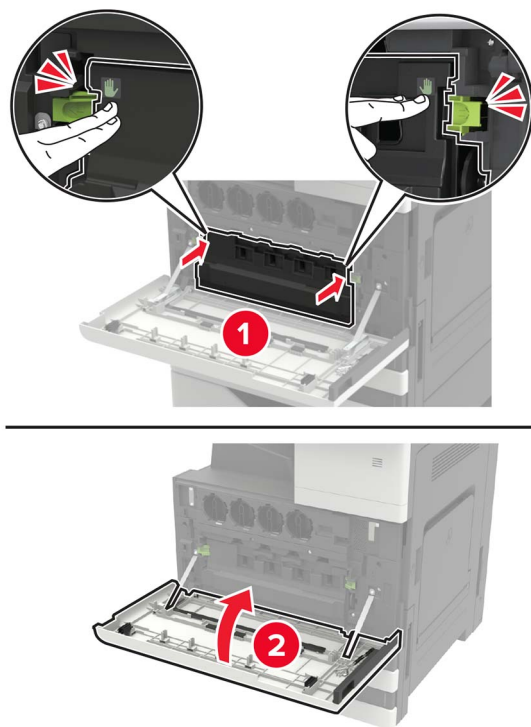


- 3 Using the printhead wiper, clean the printhead lens.



- 4 Insert the wiper back into place.

**5** Insert the waste toner bottle, and then close the door.



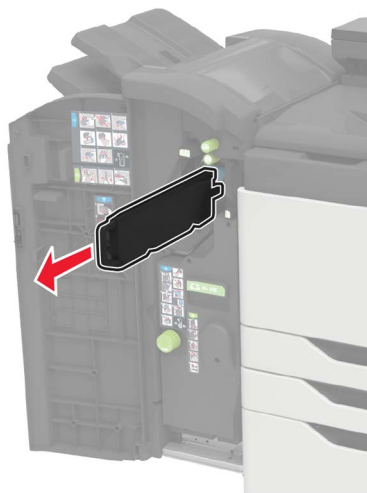
## Emptying the hole punch box

**1** Open door H.

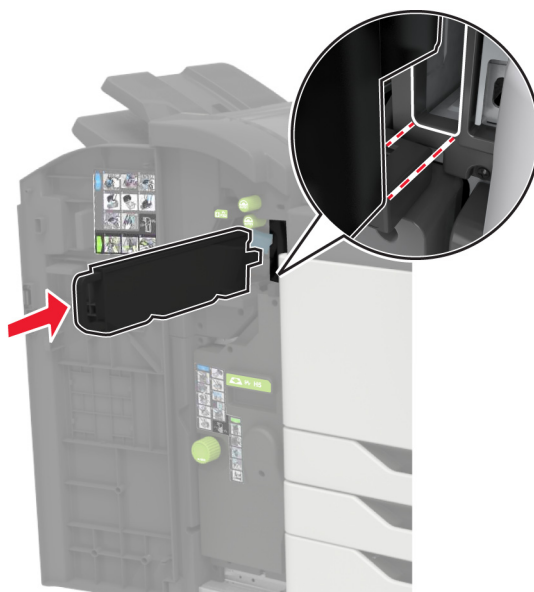




**2** Remove, and then empty the hole punch box.



**3** Insert the hole punch box.



**4** Close the door.

## Ordering parts and supplies

To order parts and supplies in the U.S., contact 1-800-539-6275 for information about Lexmark authorized supplies dealers in your area. In other countries or regions, go to [www.lexmark.com](http://www.lexmark.com) or contact the place where you purchased the printer.

**Note:** All life estimates for printer supplies assume printing on letter- or A4-size plain paper.

## Checking the status of parts and supplies

- 1 From the home screen, touch **Status/Supplies**.
- 2 Select the parts or supplies that you want to check.

**Note:** You can also access this setting by touching the top section of the home screen.

## Using genuine Lexmark parts and supplies

Your Lexmark printer is designed to function best with genuine Lexmark parts and supplies. Use of third-party supplies or parts may affect the performance, reliability, or life of the printer and its imaging components. It can also affect warranty coverage. Damage caused by the use of third-party parts and supplies is not covered by the warranty. All life indicators are designed to function with Lexmark parts and supplies, and may deliver unpredictable results if third-party parts and supplies are used. Imaging component usage beyond the intended life may damage your Lexmark printer or its associated components.

**Warning—Potential Damage:** Supplies and parts without Return Program agreement terms may be reset and remanufactured. However, the manufacturer's warranty does not cover any damage caused by non-genuine supplies or parts. Resetting counters on the supply or part without proper remanufacturing can cause damage to your printer. After resetting the supply or part counter, your printer may display an error indicating the presence of the reset item.

## Ordering toner cartridges

### Notes:

- The estimated cartridge yield is based on the ISO/IEC 19798 standard.
- Extremely low print coverage for extended periods of time may negatively affect actual yield.

### Lexmark CS921 and CS923 toner cartridges

Toner cartridges	Part number
Black	76C00K0
Cyan	76C00C0
Magenta	76C00M0
Yellow	76C00Y0

**Lexmark CS923 toner cartridges**

High yield toner cartridges	Part number
Black	76C0HK0
Cyan	76C0HC0
Magenta	76C0HM0
Yellow	76C0HY0

**Lexmark CS927 toner cartridges**

Toner cartridges	Part number
Black	77B00K0
Cyan	77B00C0
Magenta	77B00M0
Yellow	77B00Y0

**Ordering a photoconductor unit**

Item	Part number
Black photoconductor unit	76C0PK0
Color photoconductor unit	76C0PV0

**Ordering a waste toner bottle**

Item	Part number
Waste toner bottle	54G0W00

**Ordering staple cartridges**

Item	Part number
Staple cartridges	25A0013

**Ordering maintenance kits****Lexmark CS921, CS923, and CS927 maintenance kits**

Maintenance kits	Part number
200K MPF maintenance kit	41X1977
600K CMY developer maintenance kit	41X1594
Black developer maintenance kit	41X1598
HCF rollers maintenance kit	41X1874

### Lexmark CS921 and CS927 maintenance kits

Maintenance kits	Part number
300K transfer belt maintenance kit	41X1593
Fuser maintenance kit, 100 V	41X2060
Fuser maintenance kit, 110 V	41X2061
Fuser maintenance kit, 120 V	41X1860
Fuser maintenance kit, 230 V	41X1861

### Lexmark CS923 maintenance kits

Maintenance kits	Part number
300K transfer belt maintenance kit	41X2090
Fuser maintenance kit	41X1505

## Configuring supply notifications

- 1 Open a web browser, and then type the printer IP address in the address field.

**Notes:**

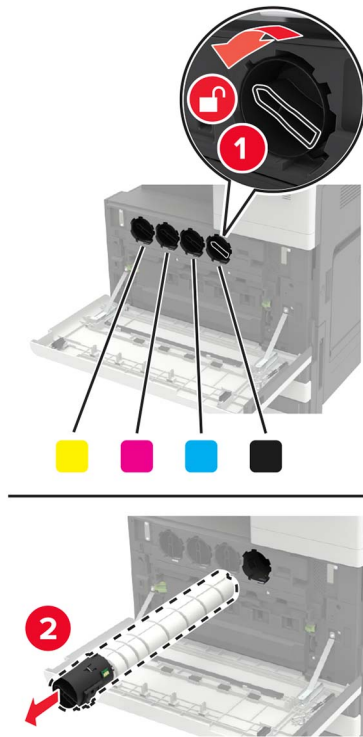
- View the printer IP address on the printer home screen. The IP address appears as four sets of numbers separated by periods, such as 123.123.123.123.
- If you are using a proxy server, then temporarily disable it to load the web page correctly.

- 2 Click **Settings > Device > Notifications**.
- 3 From the Supplies menu, click **Custom Supply Notifications**.
- 4 Select a notification for each supply item.
- 5 Apply the changes.

## Replacing parts and supplies

### Replacing a toner cartridge

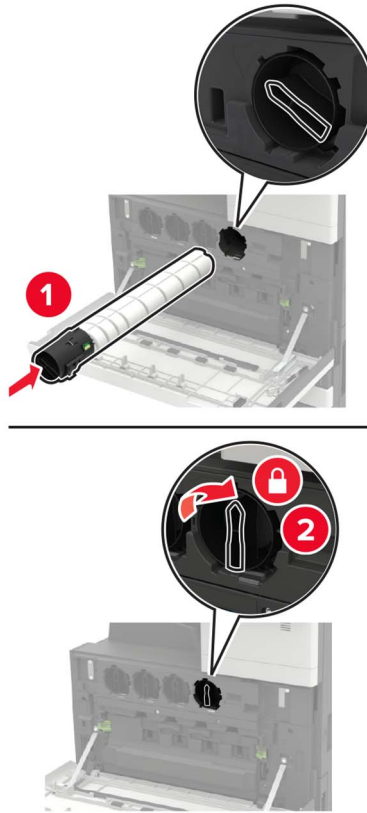
- 1 Open door A.
- 2 Remove the toner cartridge.



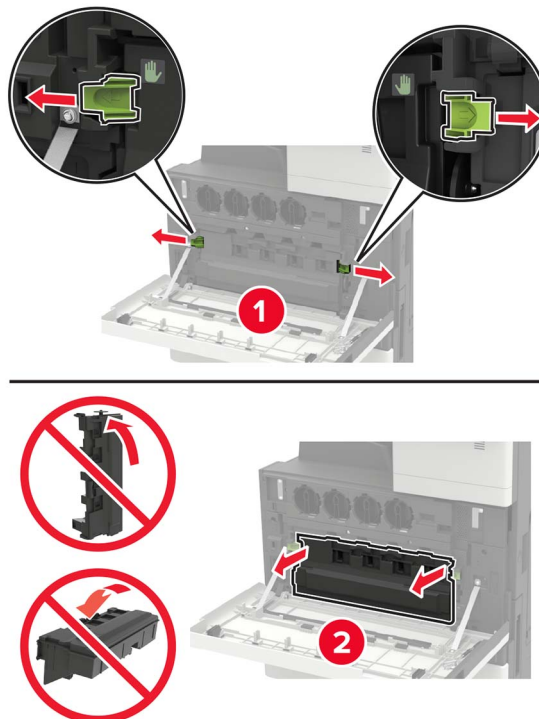
- 3 Unpack the new toner cartridge.
- 4 Shake the toner cartridge three times.



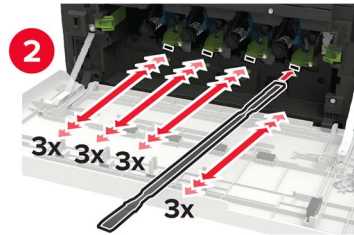
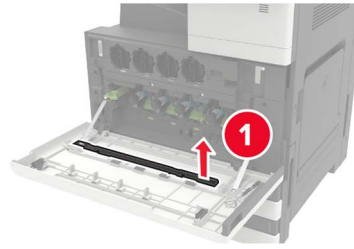
5 Insert the new toner cartridge.



6 Remove the waste toner bottle.

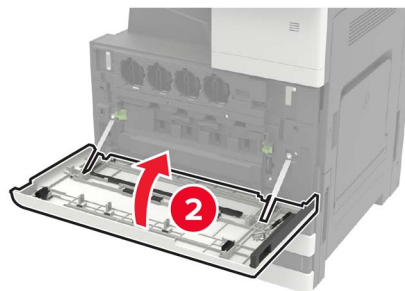
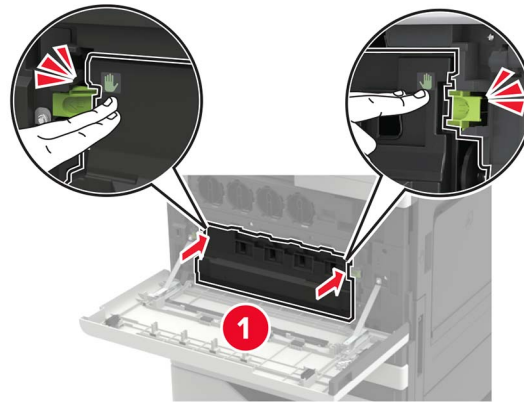


**7** Using the printhead wiper, clean the printhead lens.



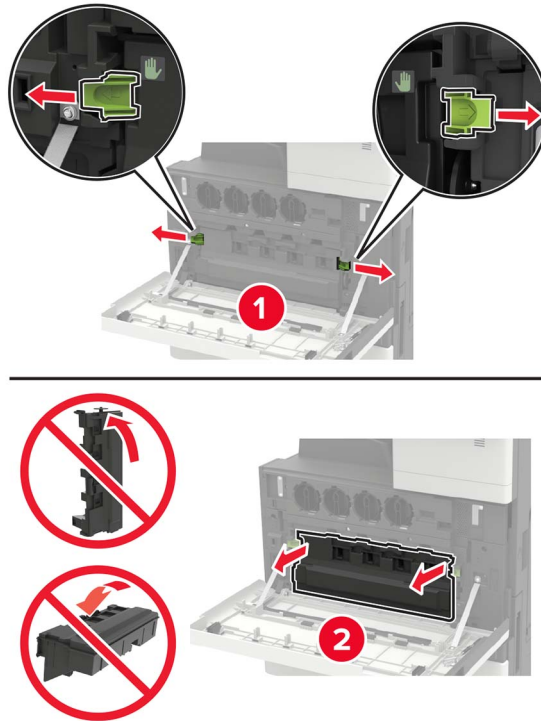
**8** Insert the wiper back into place.

**9** Insert the waste toner bottle, and then close the door.



## Replacing a photoconductor unit

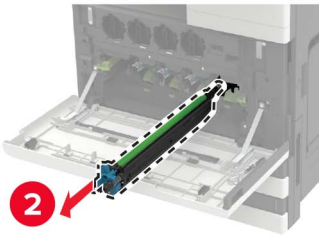
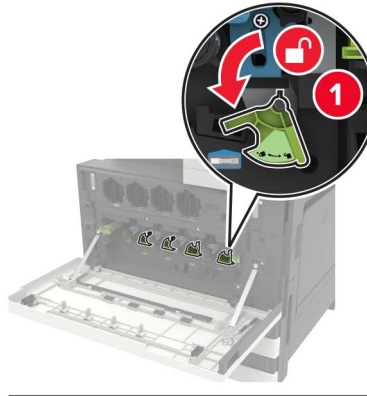
- 1 Open door A.
- 2 Remove the waste toner bottle.



- 3 Remove the photoconductor unit.

**Warning—Potential Damage:** Some parts of the printer are easily damaged by static electricity. Before touching any parts or components in an area marked with the static-sensitive symbol, touch a metal surface in an area away from the symbol.



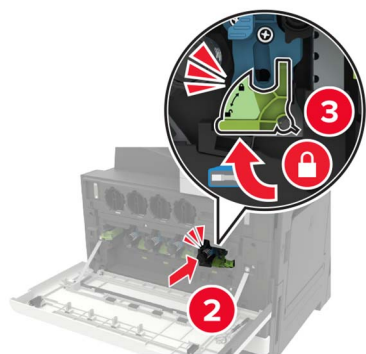
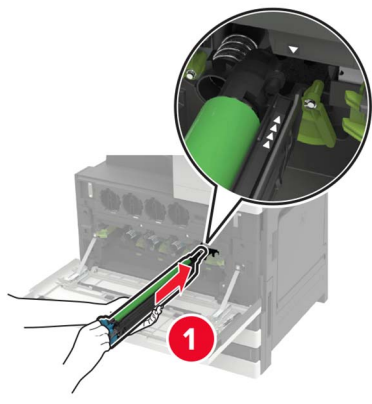


**4** Unpack the new photoconductor unit.

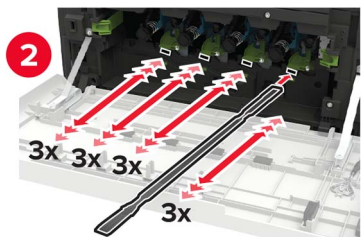
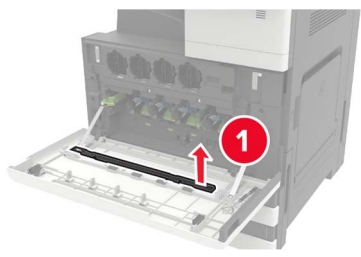
**Warning—Potential Damage:** Do not expose the photoconductor unit to direct light for more than one minute. Extended exposure to light may cause print quality problems.

**Warning—Potential Damage:** Do not touch the photoconductor drum. Doing so may affect the quality of future print jobs.

**5** Insert the new photoconductor unit.

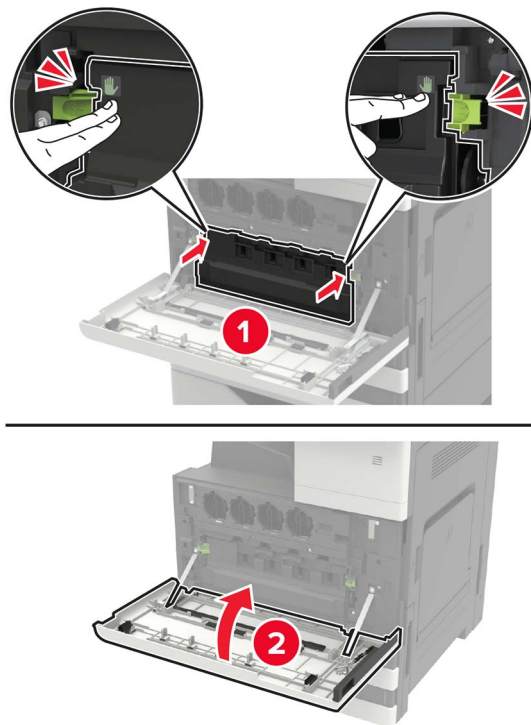


**6** Using the printhead wiper, clean the printhead lens.



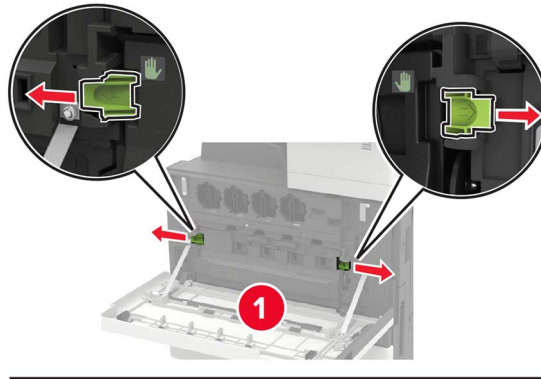
**7** Insert the wiper back into place.

**8** Insert the waste toner bottle, and then close the door.

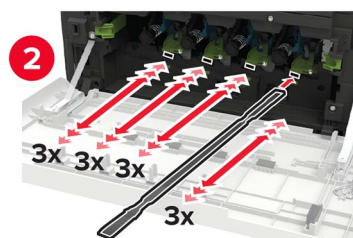
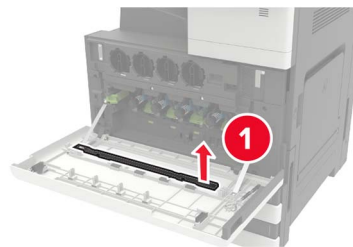


## Replacing the waste toner bottle

- 1 Open door A.
- 2 Remove the waste toner bottle.

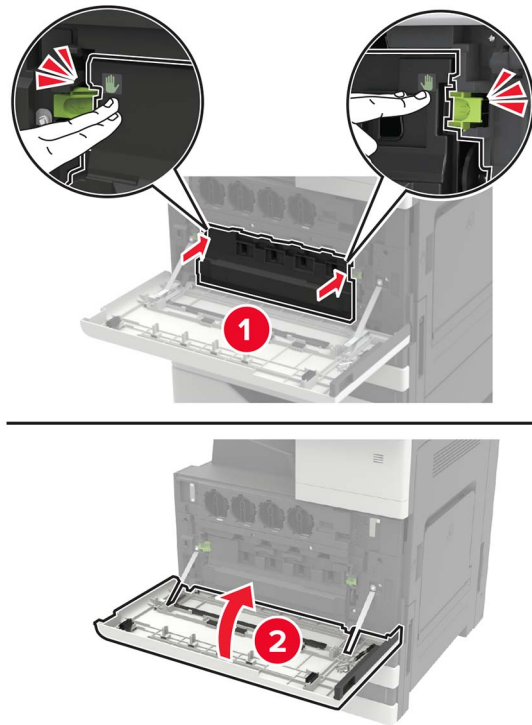


- 3 Using the printhead wiper, clean the printhead lens.



- 4 Insert the wiper back to into place.
- 5 Unpack the new waste toner bottle.

**6** Insert the new waste toner bottle, and then close the door.



### Replacing the pick, feed, and separator rollers



<b>1</b>	Pick roller
<b>2</b>	Feed roller
<b>3</b>	Separator roller

1 Turn off the printer.



2 Remove all the trays.

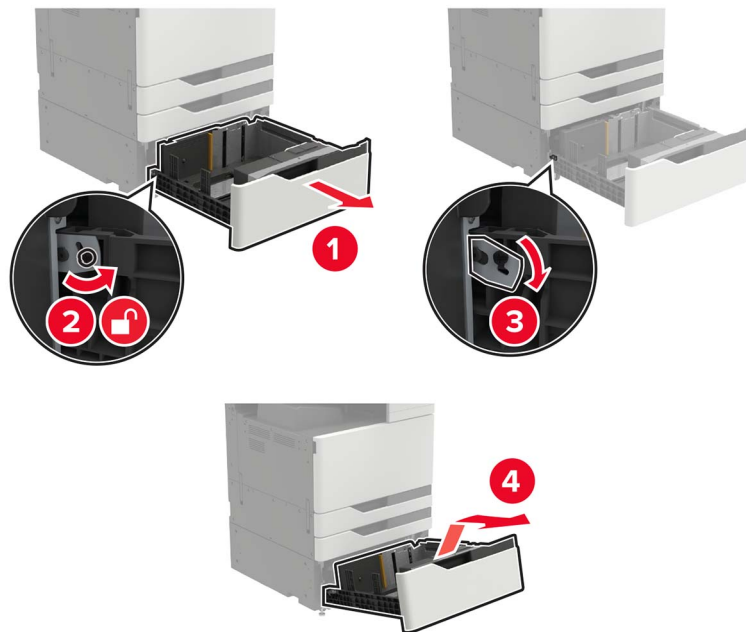
- Standard tray



- Optional 2500-sheet tray

**Notes:**


- Use the screwdriver stored inside door A.
- To remove the optional 2 x 500-sheet tray, follow the procedure in removing the standard tray.

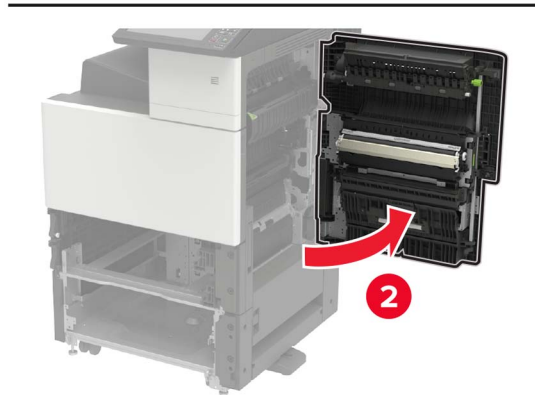
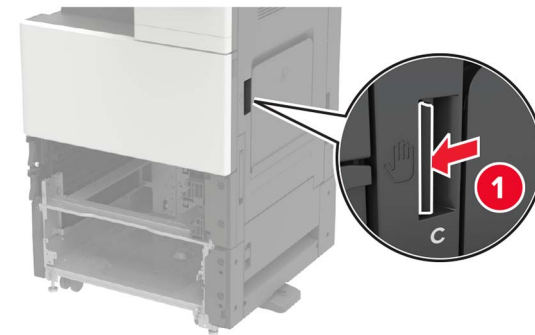


### 3 Open door C.

#### Notes:

- Make sure that the door does not hit any cable attached to the printer.
- If a 3000-sheet tray is installed, then slide the tray to the right to open the door.

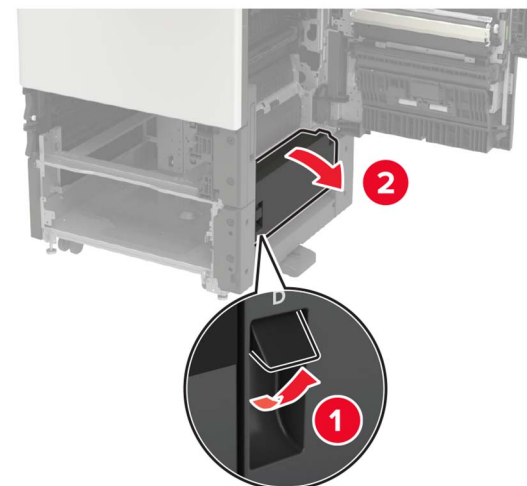
 **CAUTION—HOT SURFACE:** The inside of the printer might be hot. To reduce the risk of injury from a hot component, allow the surface to cool before touching it.



**4** Open door D.

**Notes:**

- Door D is only accessible if an optional 2500- or 2 x 500-sheet tray is installed.
- If a 3000-sheet tray is installed, then slide the tray to the right to open the door.

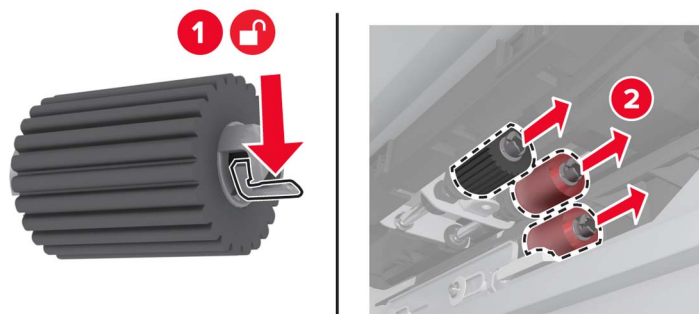




5 Locate the rollers.



6 Remove the rollers.



7 Insert the new rollers until they *click* into place.



**Note:** Make sure to insert the rollers to their proper places.

8 Close doors D and C.

9 Insert the trays, and then turn on the printer.

## Replacing the transfer belt


1 Turn off the printer.

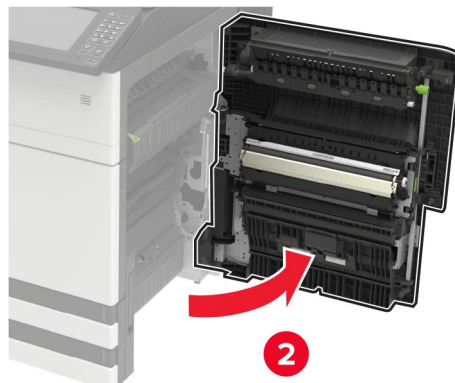
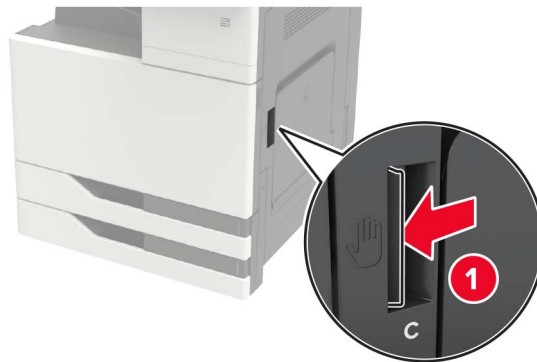


2 Open door C.

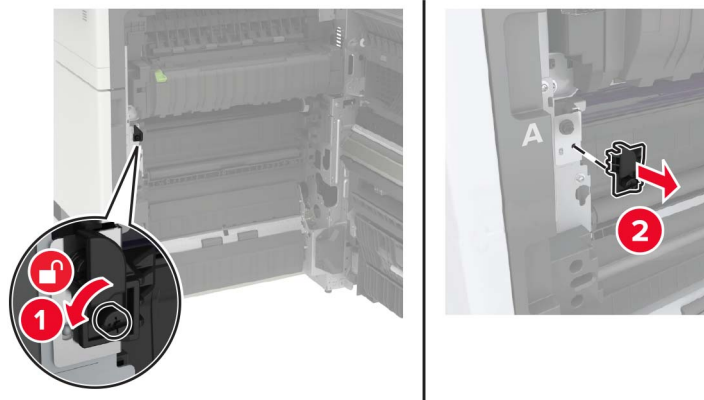
### Notes:

- Make sure that the door does not hit any cable attached to the printer.
- If a 3000-sheet tray is installed, then slide the tray to the right to open the door.

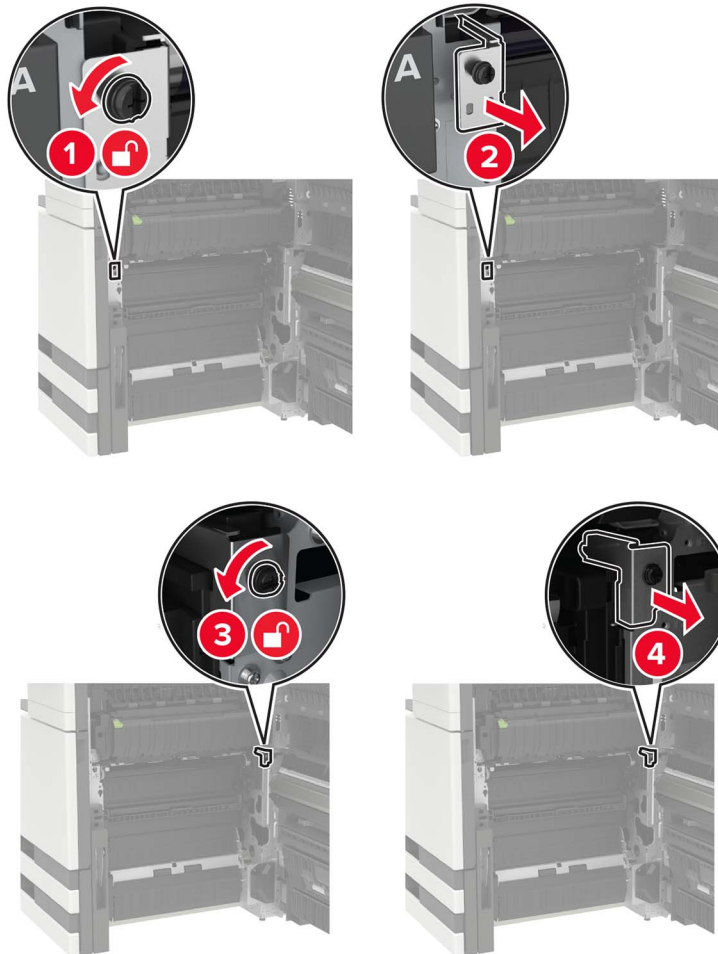
 **CAUTION—HOT SURFACE:** The inside of the printer might be hot. To reduce the risk of injury from a hot component, allow the surface to cool before touching it.



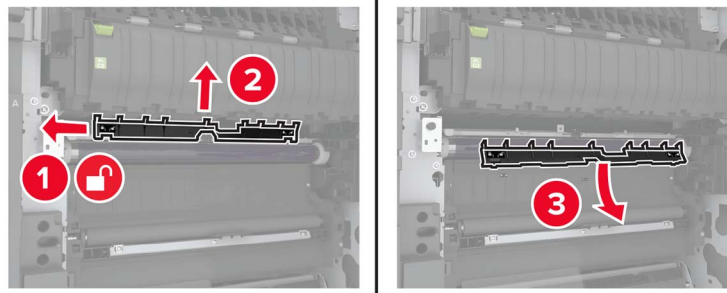
**3** Using the screwdriver stored inside door A, remove the door stopper.



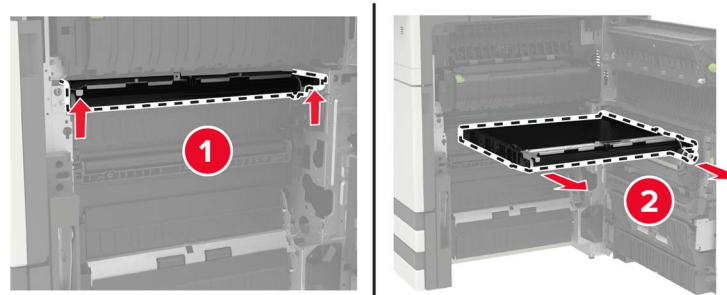
**4** Loosen the screws that secure the transfer belt.



5 Remove the paper guide.



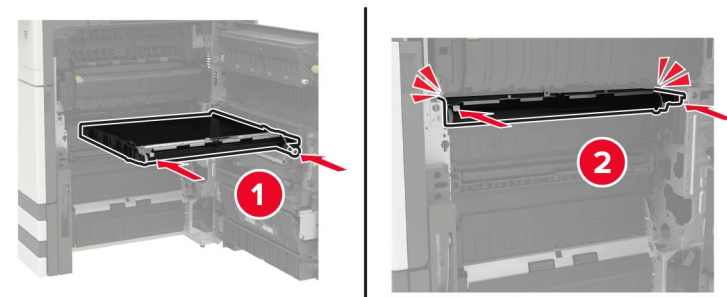
6 Remove the transfer belt.



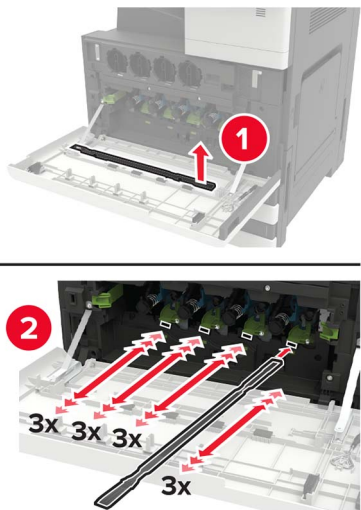
7 Unpack the new transfer belt.

**Warning—Potential Damage:** Do not touch the transfer belt. Doing so may affect the quality of future print jobs.

8 Insert the new transfer belt until it *clicks* into place.



9 Using the printhead wiper, clean the printhead lens.



10 Insert the paper guide.

11 Secure the transfer belt.

12 Reattach the door stopper.


13 Close the door, and then turn on the printer.

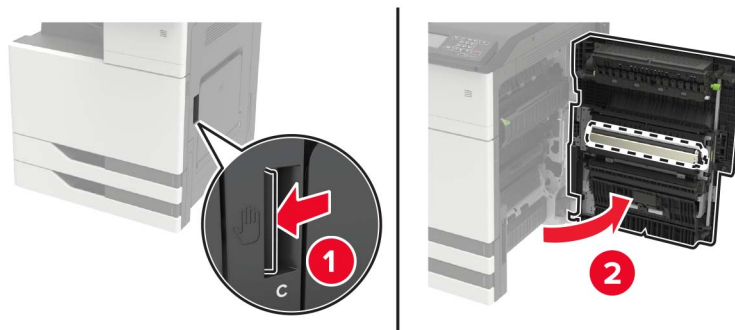
## Replacing the transfer roller

1 Open door C.

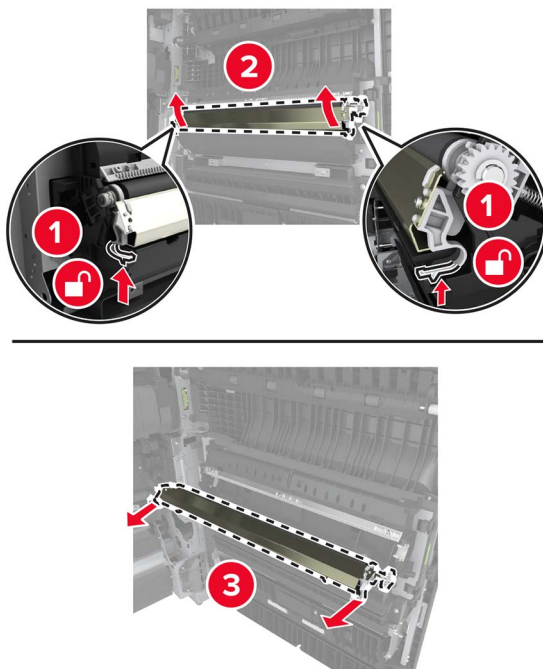
### Notes:

- Make sure that the door does not hit any cable attached to the printer.
- If a 3000-sheet tray is installed, then slide the tray to the right to open the door.

 **CAUTION—HOT SURFACE:** The inside of the printer might be hot. To reduce the risk of injury from a hot component, allow the surface to cool before touching it.

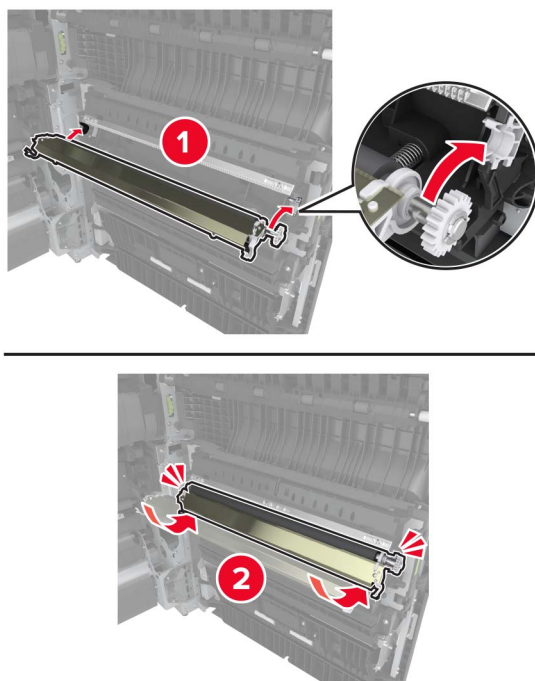


**2** Remove the transfer roller.



**3** Unpack the new transfer roller.

**4** Insert the new transfer roller until it *clicks* into place.

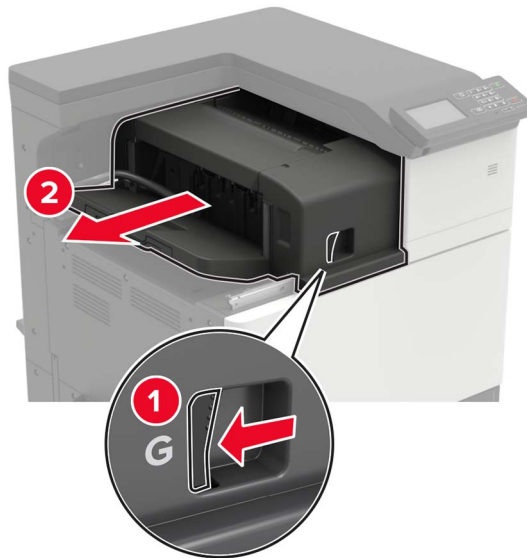


**5** Close the door.

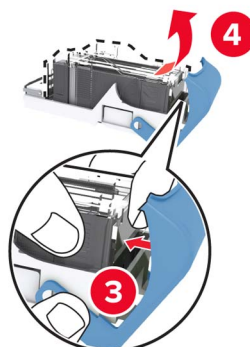
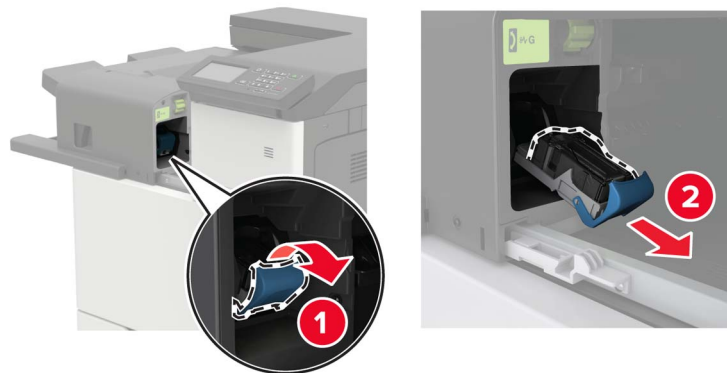
## Replacing the staple cartridge

### Replacing the staple cartridge in the staple finisher

- 1 Slide the staple finisher.

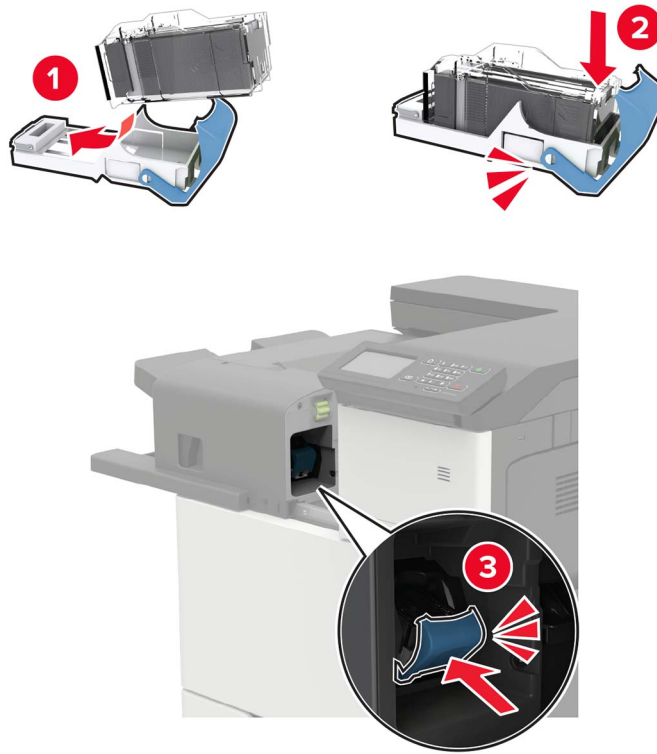


- 2 Remove the empty staple cartridge.



- 3 Unpack the new staple cartridge.

**4** Insert the new staple cartridge until it *clicks* into place.



**5** Slide the finisher back into place.

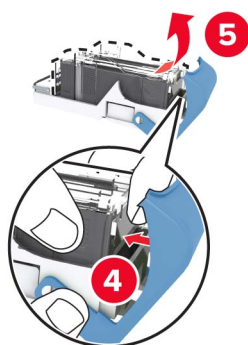
**Replacing the staple cartridge in the staple, hole punch finisher**

**1** Open door H.



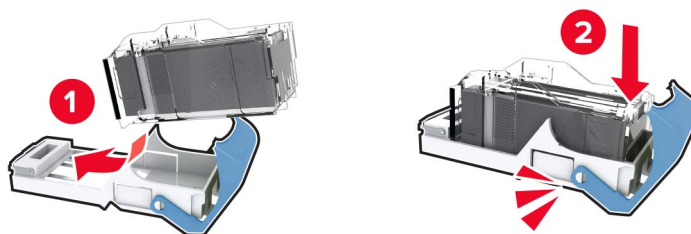


**2** Remove the staple cartridge.



**3** Unpack the new staple cartridge.

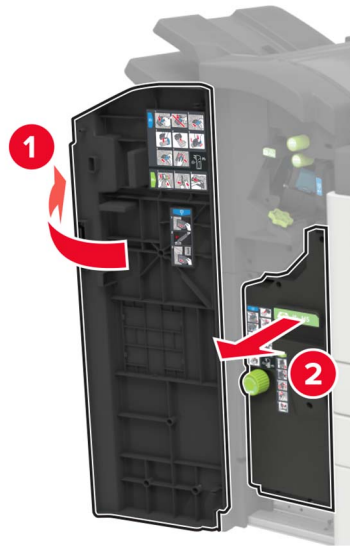
**4** Insert the new staple cartridge until it *clicks* into place.



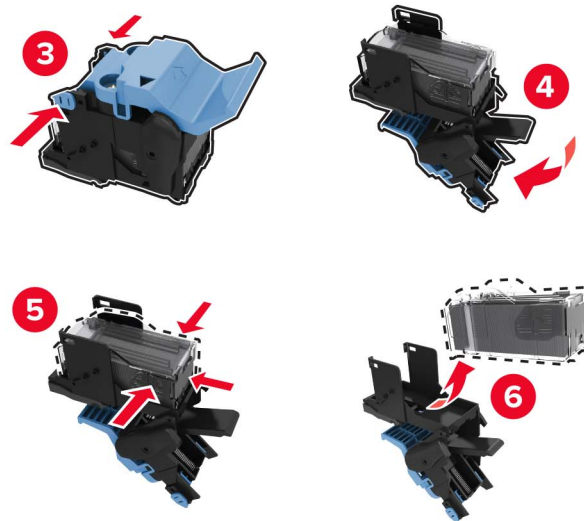
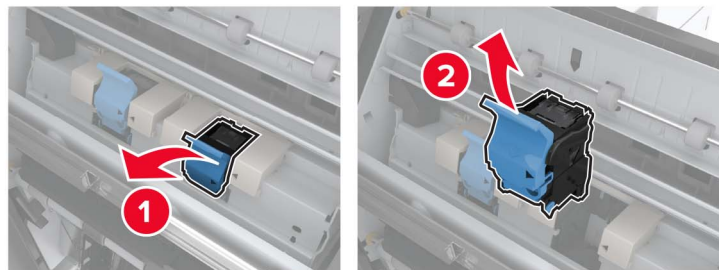
**5** Close the door.

## Replacing the staple cartridge in the booklet finisher

- 1 Open door H, and then pull out the booklet maker.

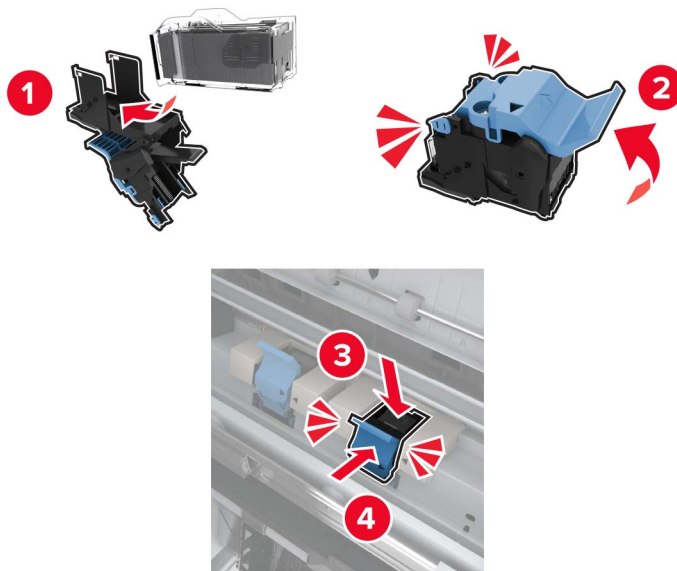


- 2 Remove the staple cartridge.



- 3 Unpack the new staple cartridge.

4 Insert the new staple cartridge until it *clicks* into place.



5 Push the booklet maker back into place, and then close the door.

## Moving the printer

### Moving the printer to another location

**⚠ CAUTION—POTENTIAL INJURY:** If the printer weight is greater than 20 kg (44 lb), then it may require two or more people to lift it safely.

**⚠ CAUTION—POTENTIAL INJURY:** To avoid the risk of fire or electrical shock, use only the power cord provided with this product or the manufacturer's authorized replacement.

**⚠ CAUTION—POTENTIAL INJURY:** When moving the printer, follow these guidelines to avoid personal injury or printer damage:

- Make sure that all doors and trays are closed.
- Turn off the printer, and then unplug the power cord from the electrical outlet.
- Disconnect all cords and cables from the printer.
- If the printer has separate floor-standing optional trays or output options attached to it, then disconnect them before moving the printer.
- If the printer has a caster base, then carefully roll it to the new location. Use caution when passing over thresholds and breaks in flooring.
- If the printer does not have a caster base but is configured with optional trays or output options, then remove the output options and lift the printer off the trays. Do not try to lift the printer and any options at the same time.
- Always use the handholds on the printer to lift it.
- Any cart used to move the printer must have a surface able to support the full footprint of the printer.

- Any cart used to move the hardware options must have a surface able to support the dimensions of the options.
- Keep the printer in an upright position.
- Avoid severe jarring movements.
- Make sure that your fingers are not under the printer when you set it down.
- Make sure that there is adequate clearance around the printer.

**Note:** Damage to the printer caused by improper moving is not covered by the printer warranty.

## Shipping the printer

For shipping instructions, go to <http://support.lexmark.com> or contact customer support.

# Saving energy and paper

## Configuring the power save mode settings

### Sleep mode

- 1 From the home screen, touch **Settings > Device > Power Management > Timeouts > Sleep Mode**.
- 2 Specify the amount of time that the printer stays idle before it enters Sleep Mode.

### Hibernate mode

- 1 From the home screen, touch **Settings > Device > Power Management > Timeouts > Hibernate Timeout**.
- 2 Select the amount of time that the printer stays idle before it enters Hibernate mode.

#### Notes:

- For Hibernate Timeout to work, set Hibernate Timeout on Connection to Hibernate.
- The Embedded Web Server is disabled when the printer is in Hibernate mode.

## Adjusting the brightness of the printer display

- 1 From the home screen, touch **Settings > Device > Preferences > Screen Brightness**.
- 2 Adjust the setting.

## Conserving supplies

- Print on both sides of the paper.

**Note:** Two-sided printing is the default setting in the print driver.

- Print multiple pages on a single sheet of paper.
- Use the preview feature to see how the document looks like before printing it.
- Print one copy of the document to check its content and format for accuracy.

# Recycling

## Recycling Lexmark products

To return Lexmark products for recycling:

- 1 Go to [www.lexmark.com/recycle](http://www.lexmark.com/recycle).
- 2 Select the product you want to recycle.

**Note:** Printer supplies and hardware not listed in the Lexmark Collection and Recycling Program may be recycled through your local recycling center.

## Recycling Lexmark packaging

Lexmark continually strives to minimize packaging. Less packaging helps to ensure that Lexmark printers are transported in the most efficient and environmentally sensitive manner and that there is less packaging to dispose of. These efficiencies result in fewer greenhouse emissions, energy savings, and natural resource savings. Lexmark also offers recycling of packaging components in some countries or regions. For more information, go to [www.lexmark.com/recycle](http://www.lexmark.com/recycle), and then choose your country or region. Information on available packaging recycling programs is included with the information on product recycling.

Lexmark cartons are 100% recyclable where corrugated recycling facilities exist. Facilities may not exist in your area.

The foam used in Lexmark packaging is recyclable where foam recycling facilities exist. Facilities may not exist in your area.

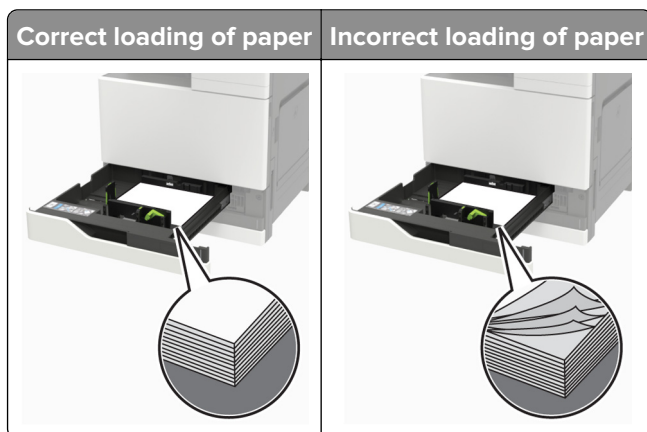
When you return a cartridge to Lexmark, you can reuse the box that the cartridge came in. Lexmark recycles the box.

# Clearing jams

## Avoiding jams

### Load paper properly

- Make sure that the paper lies flat in the tray.



- Do not load or remove a tray while the printer is printing.
- Do not load too much paper. Make sure that the stack height is below the maximum paper fill indicator.
- Do not slide paper into the tray. Load paper as shown in the illustration.

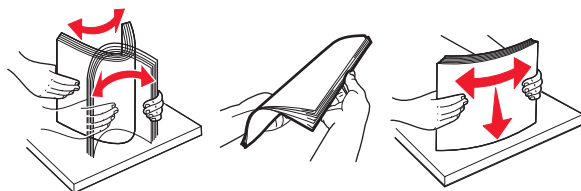


- Make sure that the paper guides are positioned correctly and are not pressing tightly against the paper or envelopes.
- Push the tray firmly into the printer after loading paper.

### Use recommended paper

- Use only recommended paper or specialty media.
- Do not load paper that is wrinkled, creased, damp, bent, or curled.

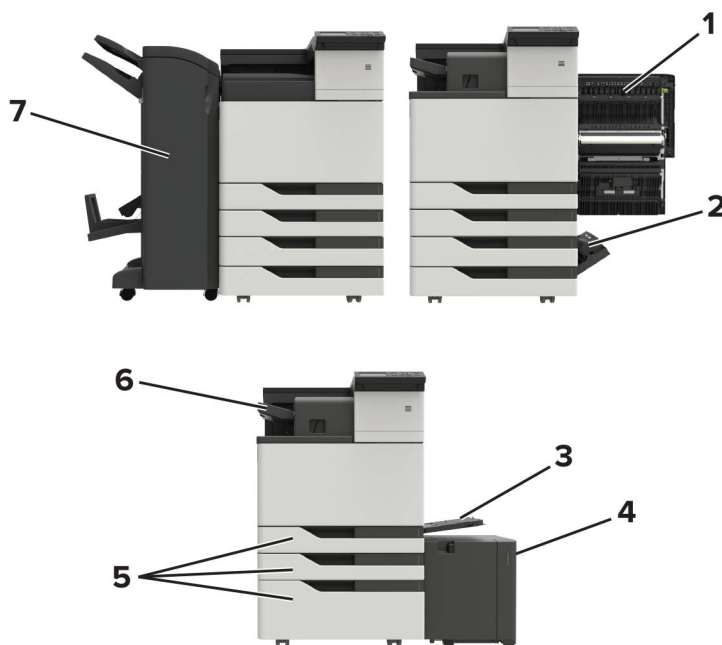
- Flex, fan, and align the paper edges before loading.



- Do not use paper that has been cut or trimmed by hand.
- Do not mix paper sizes, weights, or types in the same tray.
- Make sure that the paper size and type are set correctly on the computer or printer control panel.
- Store paper according to manufacturer recommendations.

## Identifying jam locations

**Note:** When Jam Recovery is set to On or Auto, the printer reprints jammed pages.



	Jam locations
1	Door C
2	Door D
3	Multipurpose feeder
4	3000-sheet tray
5	2 x 500- or 2500-sheet tray
6	Staple finisher

	Jam locations
7	Finisher <ul style="list-style-type: none"> <li>• Booklet finisher</li> <li>• Staple, hole punch finisher</li> </ul>

## Paper jam in the multipurpose feeder


1 Remove paper from the multipurpose feeder.

2 Remove the jammed paper.

**Note:** Make sure that all paper fragments are removed.



3 Open door C to remove any paper fragments.

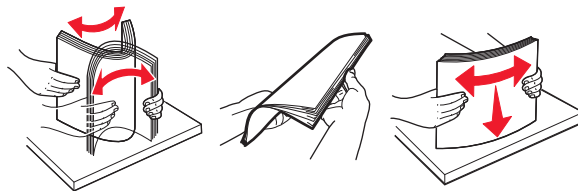
 **CAUTION—HOT SURFACE:** The inside of the printer might be hot. To reduce the risk of injury from a hot component, allow the surface to cool before touching it.

### Notes:

- Make sure that the door does not hit any cable attached to the printer.
- If a 3000-sheet tray is installed, then slide the tray to the right to open the door.

4 Close the door.

5 Flex, fan, and align the paper edges before loading.




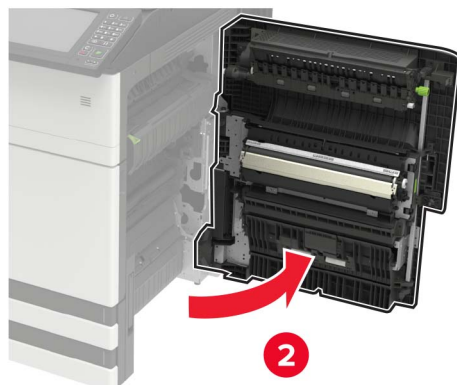
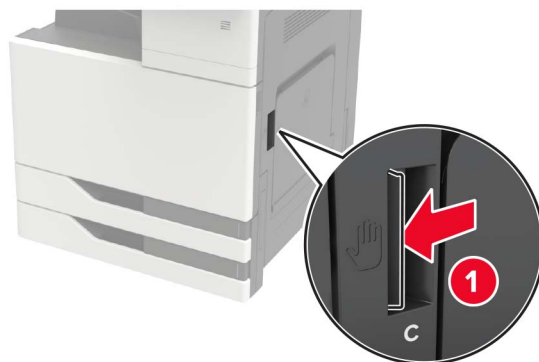
6 Reload paper.

## Paper jam in door C

1 Open door C.



 **CAUTION—HOT SURFACE:** The inside of the printer might be hot. To reduce the risk of injury from a hot component, allow the surface to cool before touching it.



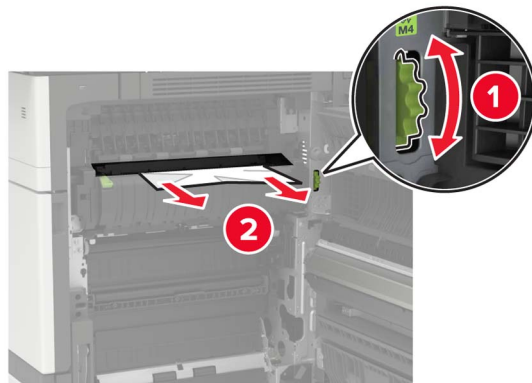
**Notes:**

- Make sure that the door does not hit any cable attached to the printer.
- If a 3000-sheet tray is installed, then slide the tray to the right to open the door.

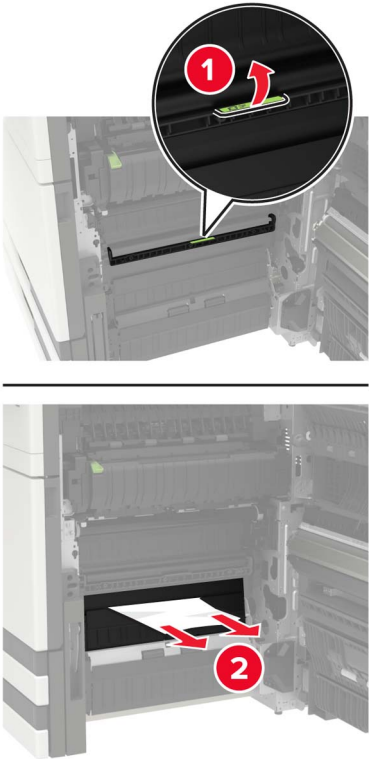
**2** Remove the jammed paper from any of the following locations.

**Note:** Make sure that all paper fragments are removed.

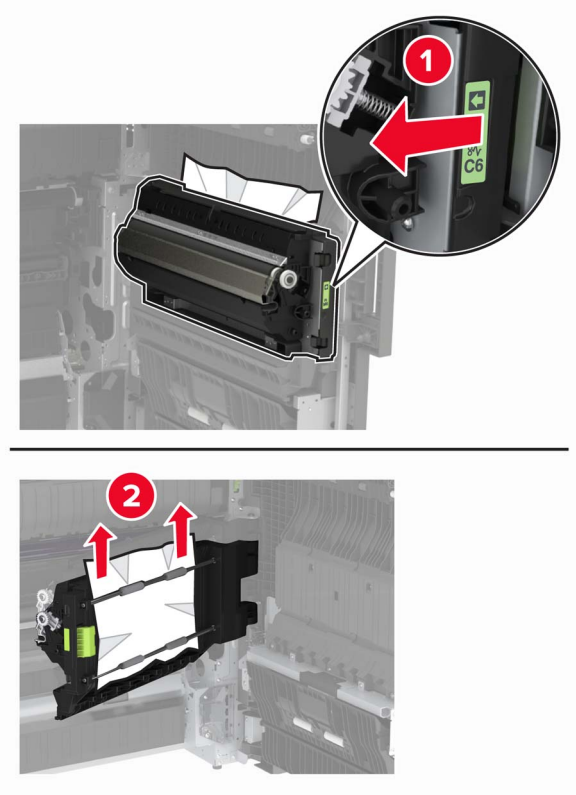
- Fuser area



- Below the fuser area



- Duplex area

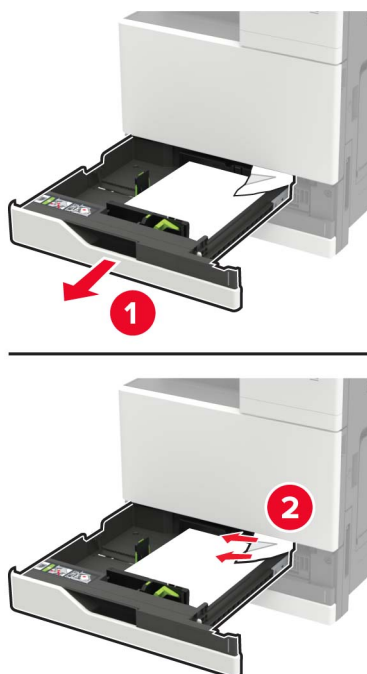


- Above the duplex area



**3** Open the standard trays, and then remove the jammed paper.

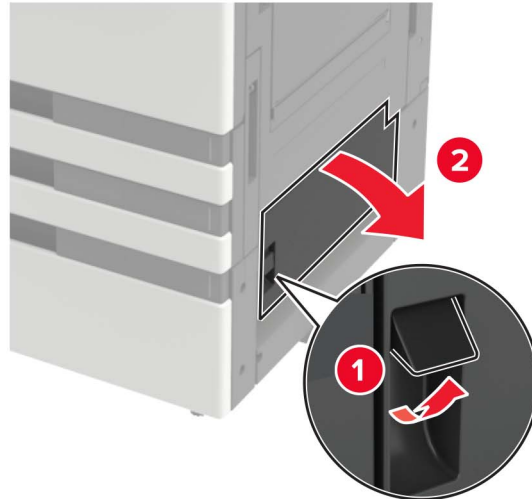
**Note:** Make sure that all paper fragments are removed.



**4** Close the trays, and then close the door.

## Paper jam in door D

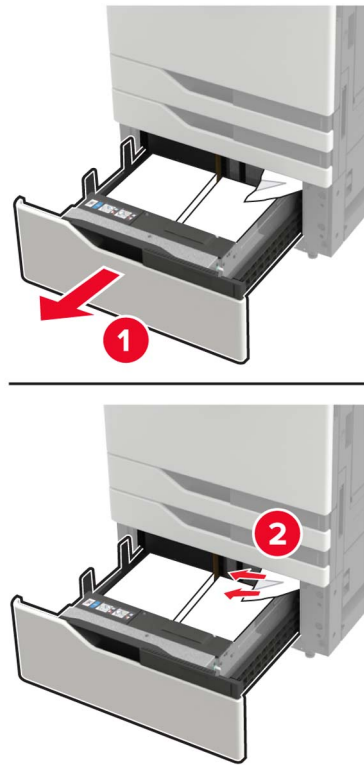
- 1 Open door D, and then remove the jammed paper.

**Notes:**

- If a 3000-sheet tray is installed, then slide the tray to the right to open the door.
- Open door C to make sure that all paper fragments are removed, and then close the door.

- 2 Open the optional tray, and then remove the jammed paper.

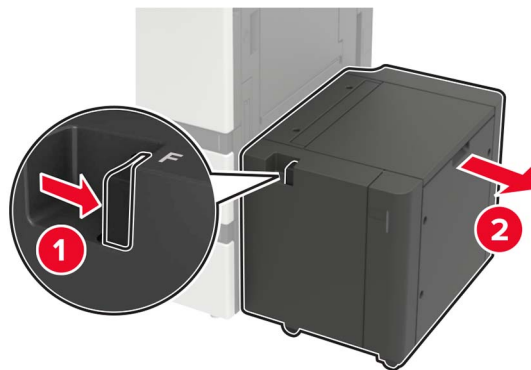
**Note:** Make sure that all paper fragments are removed.



3 Close the tray, and then close the door.

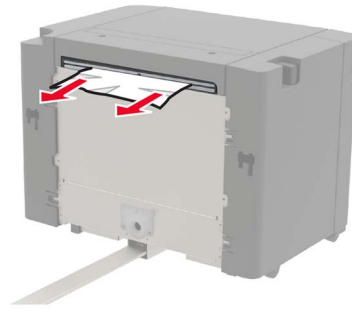
## Paper jam in the 3000-sheet tray

1 Slide the 3000-sheet tray.



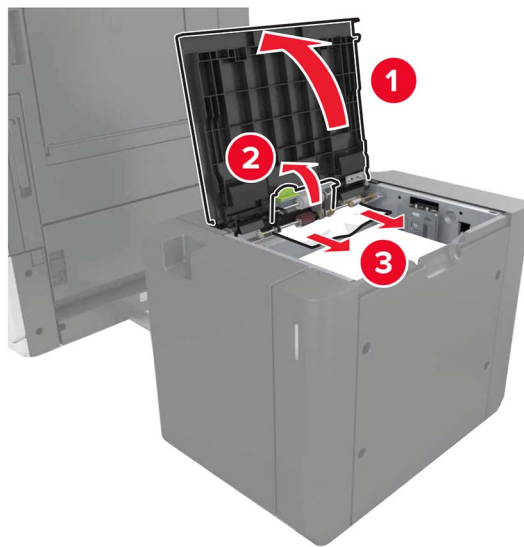
2 Remove the jammed paper.

**Note:** Make sure that all paper fragments are removed.



**3** Open door F, and then remove the jammed paper.

**Note:** Make sure that all paper fragments are removed.

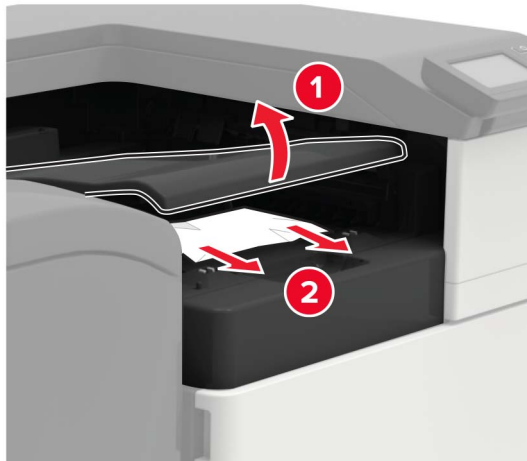


**4** Close the door, and then slide the tray back into place.

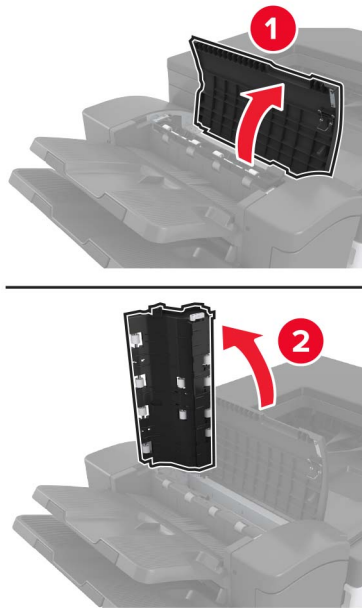
## Paper jam in the booklet finisher

**1** Open door G, and then remove the jammed paper.

**Note:** Make sure that all paper fragments are removed.



**2** Open door J.



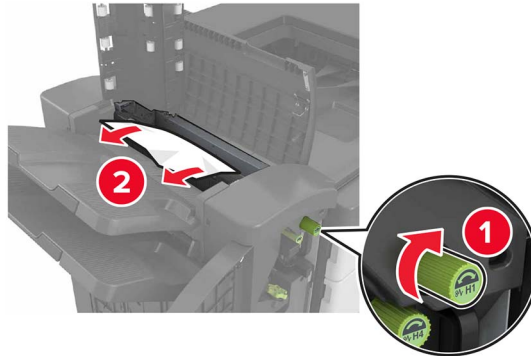
**3** Open door H.



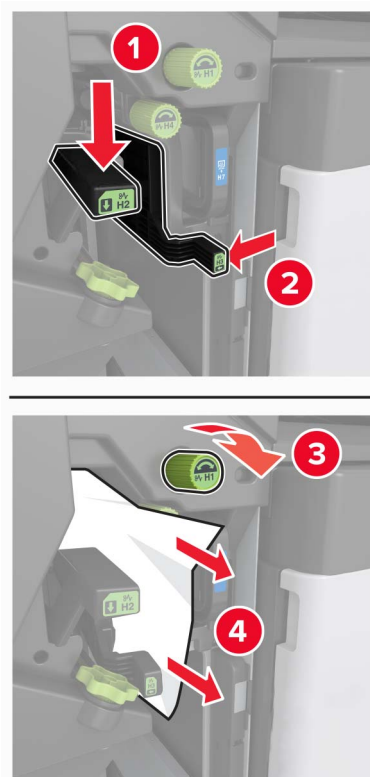
**4** Remove the jammed paper from any of the following locations.

**Note:** Make sure that all paper fragments are removed.

- Door J

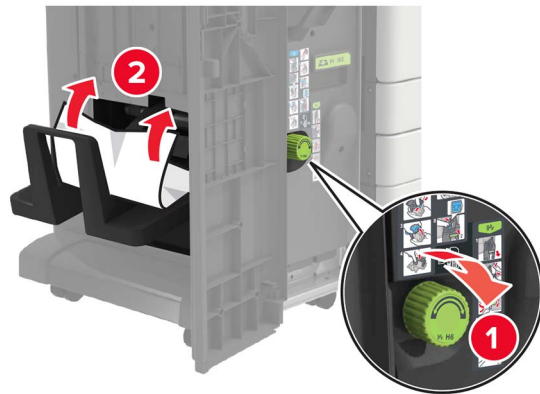


- Areas H1 and H2





- Area H6



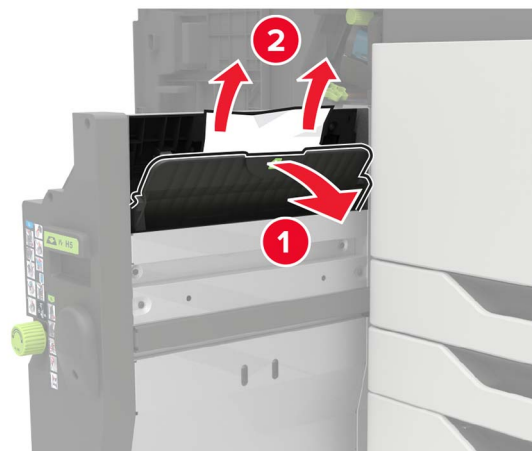
5 Pull out the booklet maker.



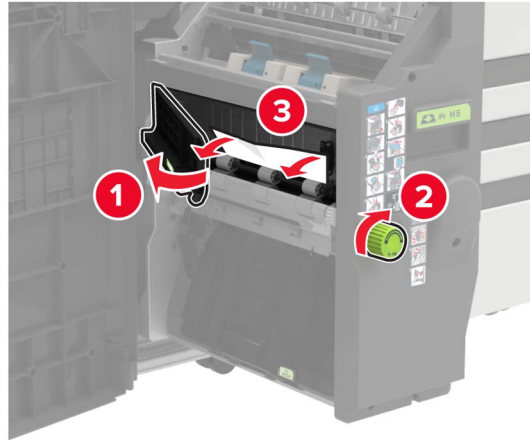
6 Remove the jammed paper from any of the following locations.

**Note:** Make sure that all paper fragments are removed.

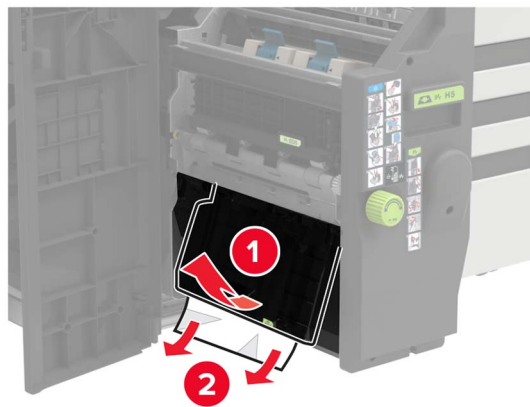
- Area H8



- Area H9



- Area H10



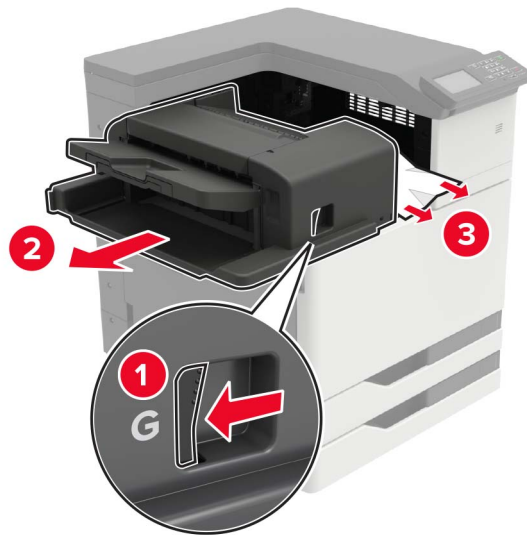
**7** Push the booklet maker back into place.

**8** Close doors H and J.

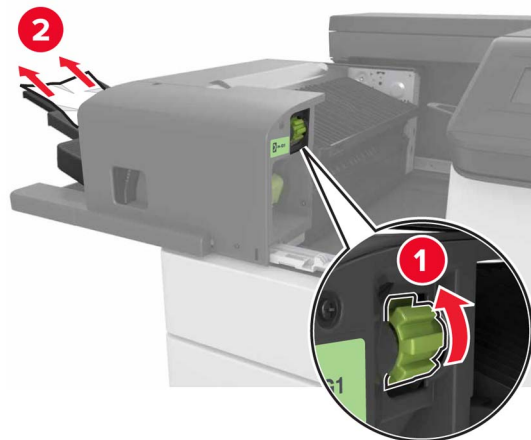
## Paper jam in the staple finisher

- 1** Remove paper from the staple finisher bin.
- 2** Slide the staple finisher, and then remove the jammed paper.

**Note:** Make sure that all paper fragments are removed.



If necessary, turn the spinner wheel G1 downward to feed the jammed paper into the finisher bin, and then remove the jammed paper.



**3** Slide the finisher back into place.

## Staple jam in the staple finisher

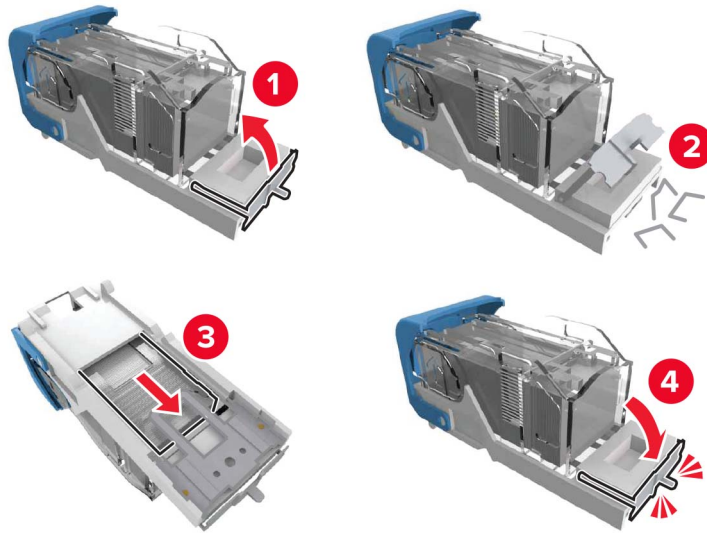
1 Slide the staple finisher.



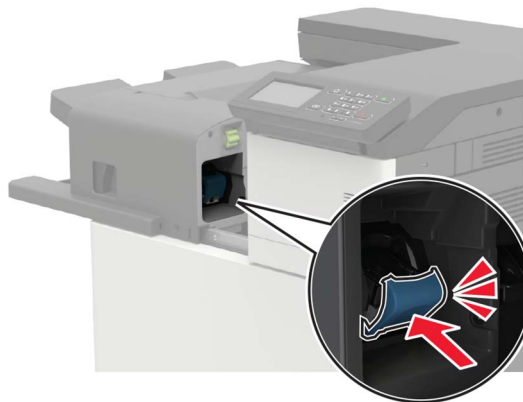
2 Remove the staple cartridge holder.



**3** Remove the loose staples.



**4** Insert the staple cartridge holder until it *clicks* into place.



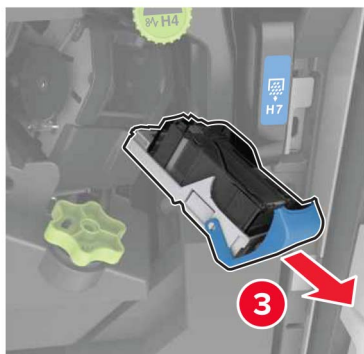
**5** Slide the finisher back into place.

## Staple jam in the staple, hole punch finisher

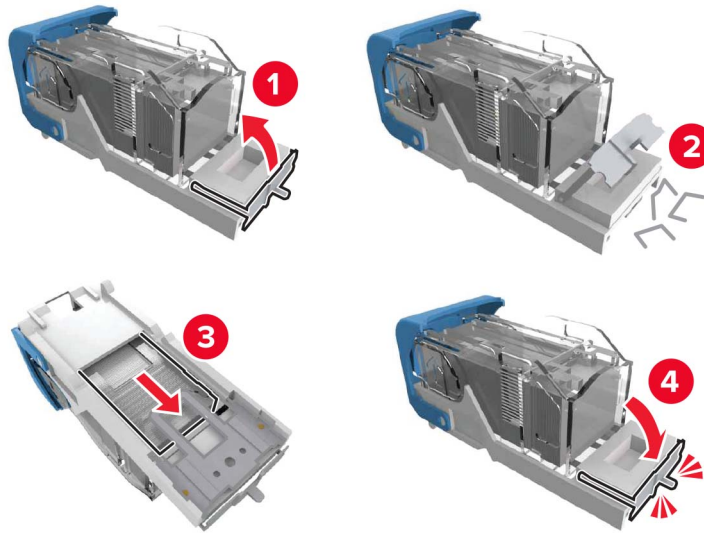
1 Open door H.



2 Remove the staple cartridge holder.



**3** Remove the loose staples.



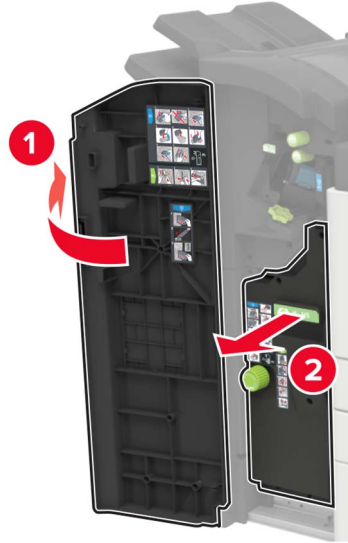
**4** Insert the staple cartridge holder until it *clicks* into place.



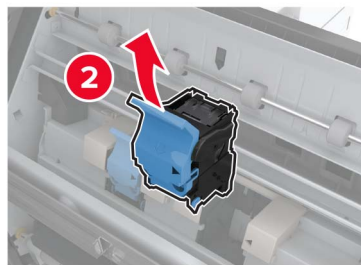
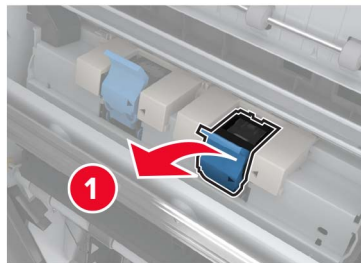
**5** Close the door.

## Staple jam in the booklet finisher

- 1 Open door H, and then pull out the booklet maker.

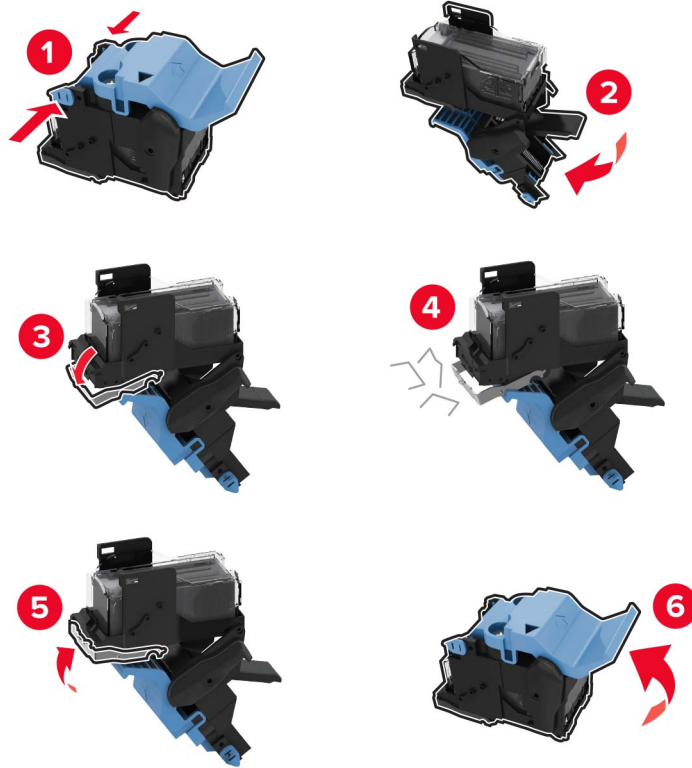


- 2 Remove the staple cartridge holder.

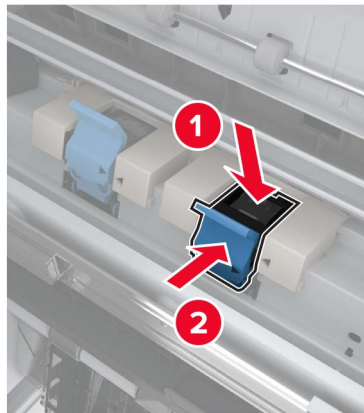




**3** Remove the loose staples.



**4** Insert the staple cartridge holder until it *clicks* into place.



**5** Push the booklet maker back into place, and then close the door.

# Troubleshooting

## Network connection problems

### Cannot open Embedded Web Server

Action	Yes	No
<p><b>Step 1</b> Check if the printer is on.</p> <p>Is the printer on?</p>	Go to step 2.	Turn on the printer.
<p><b>Step 2</b> Make sure that the printer IP address is correct.</p> <p><b>Notes:</b></p> <ul style="list-style-type: none"> <li>• View the IP address on the home screen.</li> <li>• An IP address appears as four sets of numbers separated by periods, such as 123.123.123.123.</li> </ul> <p>Is the printer IP address correct?</p>	Go to step 3.	Type the correct printer IP address in the address field.
<p><b>Step 3</b> Check if you are using a supported browser:</p> <ul style="list-style-type: none"> <li>• Internet Explorer version 11 or later</li> <li>• Microsoft Edge</li> <li>• Safari version 6 or later</li> <li>• Google Chrome™ version 32 or later</li> <li>• Mozilla Firefox version 24 or later</li> </ul> <p>Is your browser supported?</p>	Go to step 4.	Install a supported browser.
<p><b>Step 4</b> Check if the network connection is working.</p> <p>Is the network connection working?</p>	Go to step 5.	Contact your administrator.
<p><b>Step 5</b> Make sure that the cable connections to the printer and print server are secure. For more information, see the documentation that came with the printer.</p> <p>Are the cable connections secure?</p>	Go to step 6.	Secure the cable connections.
<p><b>Step 6</b> Check if the web proxy servers are disabled.</p> <p>Are the web proxy servers disabled?</p>	Go to step 7.	Contact your administrator.

Action	Yes	No
<p><b>Step 7</b> Access the Embedded Web Server.</p> <p>Did the Embedded Web Server open?</p>	The problem is solved.	Contact <a href="#">customer support</a> .

### Unable to read flash drive

Action	Yes	No
<p><b>Step 1</b> Check if the printer is not busy processing another print, copy, scan, or fax job.</p> <p>Is the printer ready?</p>	Go to step 2.	Wait for the printer to finish processing the other job.
<p><b>Step 2</b> Check if the flash drive is supported. For more information, see <a href="#">“Supported flash drives and file types” on page 43</a>.</p> <p>Is the flash drive supported?</p>	Go to step 3.	Insert a supported flash drive.
<p><b>Step 3</b> Remove, and then insert the flash drive.</p> <p>Does the printer recognize the flash drive?</p>	The problem is solved.	Contact <a href="#">customer support</a> .

### Enabling the USB port

From the home screen, touch **Settings > Network/Ports > USB > Enable USB Port**.

### Checking the printer connectivity


- 1 From the home screen, touch **Settings > Reports > Network > Network Setup Page**.
- 2 Check the first section of the network setup page, and confirm that the status is connected.  
If the status is not connected, then the LAN drop may be inactive, or the network cable may be unplugged or malfunctioning. Contact your administrator for assistance.

### 900.xy error

Turn off the printer, wait for about 10 seconds, and then turn on the printer.

# Hardware options problems

## Cannot detect internal option

Action	Yes	No
<p><b>Step 1</b> Turn off the printer, wait for about 10 seconds, and then turn on the printer.</p> <p>Does the internal option operate correctly?</p>	The problem is solved.	Go to step 2.
<p><b>Step 2</b> Print the Menu Settings Page, and then check if the internal option appears in the Installed Features list.</p> <p>Is the internal option listed in the menu settings page?</p>	Go to step 4.	Go to step 3.
<p><b>Step 3</b> Check if the internal option is installed properly into the controller board.</p> <p><b>a</b> Turn off the printer, and then unplug the power cord from the electrical outlet.</p> <p><b>b</b> Make sure that the internal option is installed in the appropriate connector in the controller board.</p> <p><b>c</b> Connect the power cord to the electrical outlet, and then turn on the printer.</p> <p> <b>CAUTION—POTENTIAL INJURY:</b> To avoid the risk of fire or electrical shock, connect the power cord to an appropriately rated and properly grounded electrical outlet that is near the product and easily accessible.</p> <p>Does the internal option operate correctly?</p>	The problem is solved.	Go to step 4.
<p><b>Step 4</b> <b>a</b> Check if the internal option is available in the print driver. <b>Note:</b> If necessary, manually add the internal option in the print driver to make it available for print jobs. For more information, see <a href="#">“Adding available options in the print driver” on page 228.</a></p> <p><b>b</b> Resend the print job.</p> <p>Does the internal option operate correctly?</p>	The problem is solved.	Contact <a href="#">customer support</a> .

## Defective flash detected

Try one or more of the following:

- Replace the defective flash memory.
- From the printer control panel, select **Continue** to ignore the message and continue printing.

- Cancel the current print job.

## Not enough free space in flash memory for resources

Try one or more of the following:

- From the printer control panel, select **Continue** to clear the message and continue printing.
- Delete fonts, macros, and other data stored in the flash memory.
- Install flash memory with larger capacity.

**Note:** Downloaded fonts and macros that are not previously stored in the flash memory are deleted.

## Unformatted flash detected

Try one or more of the following:

- From the control panel, select **Continue** to stop the defragmentation and continue printing.
- Format the flash memory.

**Note:** If the error message remains, then the flash memory may be defective and needs to be replaced.

## Issues with supplies

### Non-Lexmark supply

The printer has detected a non-Lexmark supply or part installed in the printer.

Your Lexmark printer is designed to function best with genuine Lexmark supplies and parts. Use of third-party supplies or parts may affect the performance, reliability, or life of the printer and its imaging components.

All life indicators are designed to function with Lexmark supplies and parts and may deliver unpredictable results if third-party supplies or parts are used. Imaging component usage beyond the intended life may damage your Lexmark printer or associated components.

**Warning—Potential Damage:** Use of third-party supplies or parts can affect warranty coverage. Damage caused by the use of third-party supplies or parts may not be covered by the warranty.

To accept any and all of these risks and to proceed with the use of non-genuine supplies or parts in your printer, from the control panel, press and hold **X** and **#** simultaneously for 15 seconds.

If you do not want to accept these risks, then remove the third-party supply or part from your printer and install a genuine Lexmark supply or part. For more information, see [“Using genuine Lexmark parts and supplies” on page 102](#).

If the printer does not print after pressing and holding **X** and **#** simultaneously for 15 seconds, then reset the supply usage counter.

- 1 From the control panel, navigate to:  
**Settings > Device > Maintenance > Configuration Menu > Supply Usage And Counters**
- 2 Select the part or supply that you want to reset, and then select **Start**.

- 3 Read the warning message, and then select **Continue**.
- 4 Press and hold **X** and **#** simultaneously for 15 seconds to clear the message.

**Note:** If you are unable to reset the supply usage counters, then return the item to the place of purchase.

## Paper feed problems

### Envelope seals when printing

Action	Yes	No
<p><b>Step 1</b></p> <ul style="list-style-type: none"> <li>a Use an envelope that has been stored in a dry environment.  <b>Note:</b> Printing on envelopes with high moisture content can seal the flaps.</li> <li>b Send the print job.</li> </ul> <p>Does the envelope seal when printing?</p>	Go to step 2.	The problem is solved.
<p><b>Step 2</b></p> <ul style="list-style-type: none"> <li>a Make sure that paper type is set to Envelope.                      From the control panel, navigate to:  <b>Settings &gt; Paper &gt; Tray Configuration &gt; Paper Size/Type</b></li> <li>b Send the print job.</li> </ul> <p>Does the envelope seal when printing?</p>	Contact <a href="#">customer support</a> .	The problem is solved.

### Collated printing does not work

Action	Yes	No
<p><b>Step 1</b></p> <ul style="list-style-type: none"> <li>a From the control panel, navigate to:  <b>Settings &gt; Print &gt; Layout &gt; Collate</b></li> <li>b Touch <b>On [1,2,1,2,1,2]</b>.</li> <li>c Print the document.</li> </ul> <p>Is the document collated correctly?</p>	The problem is solved.	Go to step 2.
<p><b>Step 2</b></p> <ul style="list-style-type: none"> <li>a From the document that you are trying to print, open the Print dialog, and then select <b>Collate</b>.</li> <li>b Print the document.</li> </ul> <p>Is the document collated correctly?</p>	The problem is solved.	Go to step 3.

Action	Yes	No
<p><b>Step 3</b></p> <p><b>a</b> Reduce the number of pages to print.</p> <p><b>b</b> Print the document.</p> <p>Are the pages collated correctly?</p>	The problem is solved.	Contact <a href="#">customer support</a> .

### Tray linking does not work

Action	Yes	No
<p><b>Step 1</b></p> <p><b>a</b> Check if the trays contain the same paper size and paper type.</p> <p><b>b</b> Check if the paper guides are positioned correctly.</p> <p><b>c</b> Print the document.</p> <p>Do the trays link correctly?</p>	The problem is solved.	Go to step 2.
<p><b>Step 2</b></p> <p><b>a</b> From the control panel, touch <b>Settings &gt; Paper &gt; Tray Configuration &gt; Paper Size/Type</b></p> <p><b>b</b> Set the paper size and paper type to match the paper loaded in the linked trays.</p> <p><b>c</b> Print the document.</p> <p>Do the trays link correctly?</p>	The problem is solved.	Go to step 3.
<p><b>Step 3</b></p> <p><b>a</b> Make sure that Tray Linking is set to Automatic. For more information, see <a href="#">“Linking trays” on page 33</a>.</p> <p><b>b</b> Print the document.</p> <p>Do the trays link correctly?</p>	The problem is solved.	Contact <a href="#">customer support</a> .

### Check tray connection


Try one or more of the following:

- Turn off the printer, wait for about 10 seconds, and then turn it back on.

If the error occurs a second time, then:

- 1** Turn off the printer.
- 2** Unplug the power cord from the electrical outlet.
- 3** Remove the indicated tray.
- 4** Insert the tray.

5 Connect the power cord to the electrical outlet.

 **CAUTION—POTENTIAL INJURY:** To avoid the risk of fire or electrical shock, connect the power cord to an appropriately rated and properly grounded electrical outlet that is near the product and easily accessible.

6 Turn on the printer.

If the error occurs again, then:

- 1 Turn off the printer.
- 2 Unplug the power cord from the electrical outlet.
- 3 Remove the indicated tray.
- 4 Contact customer support.

- From the control panel, select **Continue** to clear the message and resume printing.

### Paper frequently jams

Action	Yes	No
<p><b>Step 1</b></p> <p><b>a</b> Remove the tray.</p> <p><b>b</b> Check if paper is loaded correctly.</p> <p><b>Notes:</b></p> <ul style="list-style-type: none"> <li>• Make sure that the paper guides are positioned correctly.</li> <li>• Make sure that the stack height is below the maximum paper fill indicator.</li> <li>• Make sure to print on recommended paper size and type.</li> </ul> <p><b>c</b> Insert the tray.</p> <p><b>d</b> Print the document.</p> <p>Do paper jams occur frequently?</p>	Go to step 2.	The problem is solved.
<p><b>Step 2</b></p> <p><b>a</b> From the control panel, navigate to: <b>Settings &gt; Paper &gt; Tray Configuration &gt; Paper Size/Type</b></p> <p><b>b</b> Set the correct paper size and type.</p> <p><b>c</b> Print the document.</p> <p>Do paper jams occur frequently?</p>	Go to step 3.	The problem is solved.
<p><b>Step 3</b></p> <p><b>a</b> Load paper from a fresh package.</p> <p><b>Note:</b> Paper absorbs moisture due to high humidity. Store paper in its original wrapper until you are ready to use it.</p> <p><b>b</b> Print the document.</p> <p>Do paper jams occur frequently?</p>	Contact <a href="#">customer support</a> .	The problem is solved.



## Jammed pages are not reprinted

Action	Yes	No
<p><b>a</b> From the control panel, navigate to:  <b>Settings &gt; Device &gt; Notifications &gt; Jam Content Recovery</b></p> <p><b>b</b> In the Jam Recovery menu, select <b>On</b> or <b>Auto</b>.</p> <p><b>c</b> Print the document.</p> <p>Are the jammed pages reprinted?</p>	<p>The problem is solved.</p>	<p>Contact <a href="#">customer support</a>.</p>

## Printing problems

### Confidential and other held documents do not print

Action	Yes	No
<p><b>Step 1</b></p> <p><b>a</b> From the control panel, check if the documents appear in the Held Jobs list.</p> <p><b>Note:</b> If the documents are not listed, then print the documents using the Print and Hold options.</p> <p><b>b</b> Print the documents.</p> <p>Are the documents printed?</p>	<p>The problem is solved.</p>	<p>Go to step 2.</p>
<p><b>Step 2</b></p> <p>The print job may contain a formatting error or invalid data.</p> <ul style="list-style-type: none"> <li>• Delete the print job, and then send it again.</li> <li>• For PDF files, generate a new file, and then print the documents.</li> </ul> <p>Are the documents printed?</p>	<p>The problem is solved.</p>	<p>Go to step 3.</p>

Action	Yes	No
<p><b>Step 3</b></p> <p>If you are printing from the Internet, then the printer may be reading the multiple job titles as duplicates.</p> <p><b>For Windows users</b></p> <ul style="list-style-type: none"> <li><b>a</b> Open the Printing Preferences dialog.</li> <li><b>b</b> From the Print and Hold section, select <b>Keep duplicate documents</b>.</li> <li><b>c</b> Enter a PIN.</li> <li><b>d</b> Resend the print job.</li> </ul> <p><b>For Macintosh users</b></p> <ul style="list-style-type: none"> <li><b>a</b> Save and name each job differently.</li> <li><b>b</b> Send the job individually.</li> </ul> <p>Are the documents printed?</p>	<p>The problem is solved.</p>	<p>Go to step 4.</p>
<p><b>Step 4</b></p> <ul style="list-style-type: none"> <li><b>a</b> Delete some held jobs to free up printer memory.</li> <li><b>b</b> Resend the print job.</li> </ul> <p>Are the documents printed?</p>	<p>The problem is solved.</p>	<p>Go to step 5.</p>
<p><b>Step 5</b></p> <ul style="list-style-type: none"> <li><b>a</b> Add printer memory.</li> <li><b>b</b> Resend the print job.</li> </ul> <p>Are the documents printed?</p>	<p>The problem is solved.</p>	<p>Contact <a href="#">customer support</a>.</p>

## Slow printing

Action	Yes	No
<p><b>Step 1</b></p> <p>Make sure that the printer cable is securely connected to the printer and to the computer, print server, option, or other network device.</p> <p>Is the printer printing slow?</p>	<p>Go to step 2.</p>	<p>The problem is solved.</p>
<p><b>Step 2</b></p> <ul style="list-style-type: none"> <li><b>a</b> Make sure that the printer is not in Quiet Mode. From the home screen, touch <b>Settings &gt; Device &gt; Maintenance &gt; Configuration Menu &gt; Device Operations &gt; Quiet Mode</b>.</li> <li><b>b</b> Print the document.</li> </ul> <p>Is the printer printing slow?</p>	<p>Go to step 3.</p>	<p>The problem is solved.</p>

Action	Yes	No
<p><b>Step 3</b></p> <p><b>a</b> Depending on your operating system, specify the print resolution from the Printing Preferences or Print dialog.</p> <p><b>b</b> Set the resolution to 2400 Image Q.</p> <p><b>c</b> Print the document.</p> <p>Is the printer printing slow?</p>	Go to step 4.	The problem is solved.
<p><b>Step 4</b></p> <p><b>a</b> Depending on your operating system, specify the paper type from the Printing Preferences or Print dialog.</p> <p><b>Notes:</b></p> <ul style="list-style-type: none"> <li>• Make sure that the setting matches the paper loaded.</li> <li>• You can also change the setting on the printer control panel. From the home screen, touch <b>Settings &gt; Paper &gt; Tray Configuration &gt; Paper Size/Type</b>.</li> <li>• Heavier paper prints more slowly.</li> <li>• Paper narrower than letter, A4, and legal may print more slowly.</li> </ul> <p><b>b</b> Print the document.</p> <p>Is the printer printing slow?</p>	Go to step 5.	The problem is solved.
<p><b>Step 5</b></p> <p><b>a</b> Make sure that the printer settings for texture and weight match the paper being loaded.</p> <p>From the home screen, touch <b>Settings &gt; Paper &gt; Media Configuration &gt; Media Types</b>.</p> <p><b>Note:</b> Rough paper texture and heavy paper weight may print more slowly.</p> <p><b>b</b> Print the document.</p> <p>Is the printer printing slow?</p>	Go to step 6.	The problem is solved.
<p><b>Step 6</b></p> <p>Remove held jobs.</p> <p>Is the printer printing slow?</p>	Go to step 7.	The problem is solved.

Action	Yes	No
<p><b>Step 7</b></p> <p><b>a</b> Make sure that the printer is not overheating.</p> <p><b>Notes:</b></p> <ul style="list-style-type: none"> <li>• Allow the printer to cool down after a long print job.</li> <li>• Observe the recommended ambient temperature for the printer. For more information, see <a href="#">“Selecting a location for the printer” on page 11.</a></li> </ul> <p><b>b</b> Print the document.</p> <p>Is the printer printing slow?</p>	<p>Contact <a href="#">customer support</a>.</p>	<p>The problem is solved.</p>

### Print jobs do not print

Action	Yes	No
<p><b>Step 1</b></p> <p><b>a</b> From the document you are trying to print, open the Print dialog, and then check if you have selected the correct printer.</p> <p><b>b</b> Print the document.</p> <p>Is the document printed?</p>	<p>The problem is solved.</p>	<p>Go to step 2.</p>
<p><b>Step 2</b></p> <p><b>a</b> Check if the printer is on.</p> <p><b>b</b> Resolve any error messages that appear on the display.</p> <p><b>c</b> Print the document.</p> <p>Is the document printed?</p>	<p>The problem is solved.</p>	<p>Go to step 3.</p>
<p><b>Step 3</b></p> <p><b>a</b> Check if the ports are working and if the cables are securely connected to the computer and the printer.</p> <p>For more information, see the setup documentation that came with the printer.</p> <p><b>b</b> Print the document.</p> <p>Is the document printed?</p>	<p>The problem is solved.</p>	<p>Go to step 4.</p>
<p><b>Step 4</b></p> <p><b>a</b> Turn off the printer, wait for about 10 seconds, and then turn on the printer.</p> <p><b>b</b> Print the document.</p> <p>Is the document printed?</p>	<p>The problem is solved.</p>	<p>Go to step 5.</p>

Action	Yes	No
<p><b>Step 5</b></p> <p><b>a</b> Remove, and then reinstall the print driver.</p> <p><b>b</b> Print the document.</p> <p>Is the document printed?</p>	The problem is solved.	Contact <a href="#">customer support</a> .

## Print quality is poor

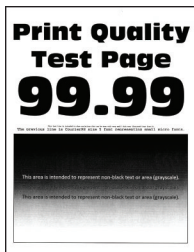
### Blank or white pages



**Note:** Before solving the problem, print the print quality test pages. From the home screen, touch **Settings > Troubleshooting > Print Quality Test Pages**.

Action	Yes	No
<p><b>Step 1</b></p> <p><b>a</b> Inspect the test pages to determine which color is affected.</p> <p><b>b</b> Remove, and then reinstall the photoconductor unit.</p> <p><b>Warning—Potential Damage:</b> Do not expose the photoconductor unit to direct light for more than one minute. Extended exposure to light may cause print quality problems.</p> <p><b>Warning—Potential Damage:</b> Do not touch the photoconductor drum. Doing so may affect the quality of future print jobs.</p> <p><b>c</b> Print the document.</p> <p>Is the printer still printing blank or white pages?</p>	Go to step 2.	The problem is solved.
<p><b>Step 2</b></p> <p><b>a</b> Clean the printhead lens.</p> <p><b>b</b> Print the document.</p> <p>Is the printer still printing blank or white pages?</p>	Go to step 3.	The problem is solved.
<p><b>Step 3</b></p> <p><b>a</b> Replace the photoconductor unit.</p> <p><b>b</b> Print the document.</p> <p>Is the printer still printing blank or white pages?</p>	Contact <a href="#">customer support</a> .	The problem is solved.

## Dark print




**Note:** Before solving the problem, print the Print Quality Test Pages. From the control panel, navigate to **Settings > Troubleshooting > Print Quality Test Pages**. For non-touch-screen printer models, press **OK** to navigate through the settings.

Action	Yes	No
<p><b>Step 1</b></p> <p><b>a</b> Perform Color Adjust. From the control panel, navigate to: <b>Settings &gt; Print &gt; Quality &gt; Advanced Imaging &gt; Color Adjust</b></p> <p><b>b</b> Print the document.</p> <p>Is the print too dark?</p>	Go to step 2.	The problem is solved.
<p><b>Step 2</b></p> <p><b>a</b> Depending on your operating system, reduce toner darkness from the Printing Preferences or Print dialog. <b>Note:</b> You can also change the setting on the printer control panel. Navigate to: <b>Settings &gt; Print &gt; Quality &gt; Toner Darkness</b></p> <p><b>b</b> Print the document.</p> <p>Is the print too dark?</p>	Go to step 3.	The problem is solved.
<p><b>Step 3</b></p> <p><b>a</b> Depending on your operating system, specify the paper type from the Printing Preferences or Print dialog. <b>Notes:</b></p> <ul style="list-style-type: none"> <li>• Make sure that the setting matches the paper loaded.</li> <li>• You can also change the setting on the printer control panel. Navigate to: <b>Settings &gt; Paper &gt; Tray Configuration &gt; Paper Size/Type</b></li> </ul> <p><b>b</b> Print the document.</p> <p>Is the print too dark?</p>	Go to step 4.	The problem is solved.

Action	Yes	No
<p><b>Step 4</b> Check if the paper has texture or rough finishes.</p> <p>Are you printing on textured or rough paper?</p>	Go to step 5.	Go to step 6.
<p><b>Step 5</b>  <b>a</b> Replace textured or rough paper with plain paper.  <b>b</b> Print the document.</p> <p>Is the print too dark?</p>	Go to step 6.	The problem is solved.
<p><b>Step 6</b>  <b>a</b> Load paper from a fresh package.  <b>Note:</b> Paper absorbs moisture due to high humidity. Store paper in its original wrapper until you are ready to use it.  <b>b</b> Print the document.</p> <p>Is the print too dark?</p>	Contact <a href="#">customer support</a> .	The problem is solved.

### Ghost images

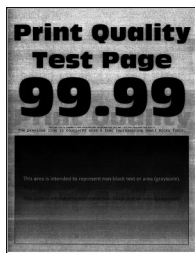



**Note:** Before solving the problem, print the Print Quality Test Pages. From the control panel, navigate to **Settings > Troubleshooting > Print Quality Test Pages**. For non-touch-screen printer models, press  to navigate through the settings.

Action	Yes	No
<p><b>Step 1</b>  <b>a</b> Load the tray with the correct paper type.  <b>b</b> Print the document.</p> <p>Do ghost images appear on prints?</p>	Go to step 2.	The problem is solved.

Action	Yes	No
<p><b>Step 2</b></p> <p><b>a</b> Depending on your operating system, specify the paper type from the Printing Preferences or Print dialog.</p> <p><b>Notes:</b></p> <ul style="list-style-type: none"> <li>• Make sure that the setting matches the paper loaded.</li> <li>• You can also change the setting on the printer control panel. Navigate to:</li> </ul> <p><b>Settings &gt; Paper &gt; Tray Configuration &gt; Paper Size/Type</b></p> <p><b>b</b> Print the document.</p> <p>Do ghost images appear on prints?</p>	Go to step 3.	The problem is solved.
<p><b>Step 3</b></p> <p><b>a</b> Perform Color Adjust.</p> <p>From the control panel, navigate to:</p> <p><b>Settings &gt; Print &gt; Quality &gt; Advanced Imaging &gt; Color Adjust</b></p> <p><b>b</b> Print the document.</p> <p>Do ghost images appear on prints?</p>	Go to step 4.	The problem is solved.
<p><b>Step 4</b></p> <p><b>a</b> Remove, and then insert the imaging kit.</p> <p><b>Warning—Potential Damage:</b> Do not expose the imaging kit to direct light. Extended exposure to light may cause print quality problems.</p> <p><b>Warning—Potential Damage:</b> Do not touch the photoconductor drum under the imaging kit. Doing so may affect the quality of future print jobs.</p> <p><b>b</b> Print the document.</p> <p>Do ghost images appear on prints?</p>	Contact <a href="#">customer support</a> .	The problem is solved.

**Gray or colored background**



**Note:** Before solving the problem, print the Print Quality Test Pages. From the control panel, navigate to **Settings > Troubleshooting > Print Quality Test Pages**. For non-touch-screen printer models, press  to navigate through the settings.



Action	Yes	No
<p><b>Step 1</b></p> <p><b>a</b> Perform Color Adjust. From the control panel, navigate to: <b>Settings &gt; Print &gt; Quality &gt; Advanced Imaging &gt; Color Adjust</b></p> <p><b>b</b> Print the document.</p> <p>Does gray or colored background appear on prints?</p>	Go to step 2.	The problem is solved.
<p><b>Step 2</b></p> <p><b>a</b> Remove, and then insert the imaging kit. <b>Warning—Potential Damage:</b> Do not expose the imaging kit to direct light. Extended exposure to light may cause print quality problems. <b>Warning—Potential Damage:</b> Do not touch the photoconductor drum under the imaging kit. Doing so may affect the quality of future print jobs.</p> <p><b>b</b> Print the document.</p> <p>Does gray or colored background appear on prints?</p>	Contact <a href="#">customer support</a> .	The problem is solved.

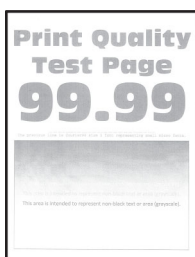
**Incorrect margins**




Action	Yes	No
<p><b>Step 1</b></p> <p><b>a</b> Adjust the paper guides to the correct position for the paper loaded.</p> <p><b>b</b> Print the document.</p> <p>Are the margins correct?</p>	The problem is solved.	Go to step 2.
<p><b>Step 2</b></p> <p><b>a</b> Set the paper size from the control panel. Navigate to: <b>Settings &gt; Paper &gt; Tray Configuration &gt; Paper Size/Type</b></p> <p><b>b</b> Print the document.</p> <p>Are the margins correct?</p>	The problem is solved.	Go to step 3.

Action	Yes	No
<p><b>Step 3</b></p> <p><b>a</b> Depending on your operating system, specify the paper size from the Printing Preferences or Print dialog.</p> <p><b>Note:</b> Make sure that the setting matches the paper loaded.</p> <p><b>b</b> Print the document.</p> <p>Are the margins correct?</p>	<p>The problem is solved.</p>	<p>Contact <a href="#">customer support</a>.</p>

### Light print



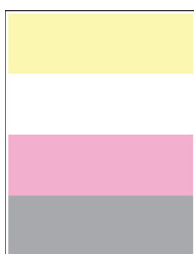
**Note:** Before solving the problem, print the Print Quality Test Pages. From the control panel, navigate to **Settings > Troubleshooting > Print Quality Test Pages**. For non-touch-screen printer models, press  to navigate through the settings.


Action	Yes	No
<p><b>Step 1</b></p> <p><b>a</b> Perform Color Adjust.</p> <p>From the control panel, navigate to:</p> <p><b>Settings &gt; Print &gt; Quality &gt; Advanced Imaging &gt; Color Adjust</b></p> <p><b>b</b> Print the document.</p> <p>Is the print light?</p>	<p>Go to step 2.</p>	<p>The problem is solved.</p>
<p><b>Step 2</b></p> <p><b>a</b> Depending on your operating system, increase toner darkness from the Printing Preferences or Print dialog.</p> <p><b>Note:</b> You can also change the setting on the printer control panel. Navigate to:</p> <p><b>Settings &gt; Print &gt; Quality &gt; Toner Darkness</b></p> <p><b>b</b> Print the document.</p> <p>Is the print light?</p>	<p>Go to step 3.</p>	<p>The problem is solved.</p>

Action	Yes	No
<p><b>Step 3</b></p> <p><b>a</b> Turn off Color Saver. From the control panel, navigate to: <b>Settings &gt; Print &gt; Quality &gt; Color Saver</b></p> <p><b>b</b> Print the document.</p> <p>Is the print light?</p>	Go to step 4.	The problem is solved.
<p><b>Step 4</b></p> <p><b>a</b> Depending on your operating system, specify the paper type from the Printing Preferences or Print dialog.</p> <p><b>Notes:</b></p> <ul style="list-style-type: none"> <li>• Make sure that the setting matches the paper loaded.</li> <li>• You can also change the setting on the printer control panel. Navigate to: <b>Settings &gt; Paper &gt; Tray Configuration &gt; Paper Size/Type</b></li> </ul> <p><b>b</b> Print the document.</p> <p>Is the print light?</p>	Go to step 5.	The problem is solved.
<p><b>Step 5</b></p> <p>Check if paper has texture or rough finishes.</p> <p>Are you printing on textured or rough paper?</p>	Go to step 6.	Go to step 7.
<p><b>Step 6</b></p> <p><b>a</b> Replace textured or rough paper with plain paper.</p> <p><b>b</b> Print the document.</p> <p>Is the print light?</p>	Go to step 7.	The problem is solved.
<p><b>Step 7</b></p> <p><b>a</b> Load paper from a fresh package.</p> <p><b>Note:</b> Paper absorbs moisture due to high humidity. Store paper in its original wrapper until you are ready to use it.</p> <p><b>b</b> Print the document.</p> <p>Is the print light?</p>	Go to step 8.	The problem is solved.

Action	Yes	No
<p><b>Step 8</b></p> <p><b>a</b> Remove, and then insert the imaging kit.</p> <p><b>Warning—Potential Damage:</b> Do not expose the imaging kit to direct light. Extended exposure to light may cause print quality problems.</p> <p><b>Warning—Potential Damage:</b> Do not touch the photoconductor drum under the imaging kit. Doing so may affect the quality of future print jobs.</p> <p><b>b</b> Print the document.</p> <p>Is the print light?</p>	<p>Contact <a href="#">customer support</a>.</p>	<p>The problem is solved.</p>

**Missing colors**



**Note:** Before solving the problem, print the Print Quality Test Pages. From the control panel, navigate to **Settings > Troubleshooting > Print Quality Test Pages**. For non-touch-screen printer models, press  to navigate through the settings.

Action	Yes	No
<p><b>a</b> Remove the toner cartridge of the missing color.</p> <p><b>b</b> Remove the imaging kit.</p> <p><b>Warning—Potential Damage:</b> Do not expose the imaging kit to direct light. Extended exposure to light may cause print quality problems.</p> <p><b>Warning—Potential Damage:</b> Do not touch the photoconductor drum under the imaging kit. Doing so may affect the quality of future print jobs.</p> <p><b>c</b> Remove, and then insert the developer unit of the missing color.</p> <p><b>d</b> Insert the imaging kit.</p> <p><b>e</b> Insert the toner cartridge.</p> <p><b>f</b> Print the document.</p> <p>Are some colors missing on prints?</p>	<p>Contact <a href="#">customer support</a>.</p>	<p>The problem is solved.</p>

## Mottled print and dots



**Note:** Before solving the problem, print the Print Quality Test Pages. From the control panel, navigate to **Settings > Troubleshooting > Print Quality Test Pages**. For non-touch-screen printer models, press **OK** to navigate through the settings.

Action	Yes	No
<p><b>Step 1</b> Check the printer for leaked toner contamination.</p> <p>Is the printer free of leaked toner?</p>	Go to step 2.	Contact <a href="#">customer support</a> .
<p><b>Step 2</b></p> <p><b>a</b> From the control panel, navigate to: <b>Settings &gt; Paper &gt; Tray Configuration &gt; Paper Size/Type</b></p> <p><b>b</b> Check if the paper size and paper type settings match the paper loaded.</p> <p><b>Note:</b> Make sure that paper does not have texture or rough finishes.</p> <p>Do the settings match?</p>	Go to step 4.	Go to step 3.
<p><b>Step 3</b></p> <p><b>a</b> Depending on your operating system, specify the paper size and paper type from the Printing Preferences or Print dialog.</p> <p><b>Note:</b> Make sure that the settings match the paper loaded.</p> <p><b>b</b> Print the document.</p> <p>Is the print mottled?</p>	Go to step 4.	The problem is solved.
<p><b>Step 4</b></p> <p><b>a</b> Load paper from a fresh package.</p> <p><b>Note:</b> Paper absorbs moisture due to high humidity. Store paper in its original wrapper until you are ready to use it.</p> <p><b>b</b> Print the document.</p> <p>Is the print mottled?</p>	Go to step 5.	The problem is solved.

Action	Yes	No
<p><b>Step 5</b></p> <p><b>a</b> Remove, and then insert the imaging kit.</p> <p><b>Warning—Potential Damage:</b> Do not expose the imaging kit to direct light. Extended exposure to light may cause print quality problems.</p> <p><b>Warning—Potential Damage:</b> Do not touch the photoconductor drum under the imaging kit. Doing so may affect the quality of future print jobs.</p> <p><b>b</b> Print the document.</p> <p>Is the print mottled?</p>	<p>Contact <a href="#">customer support</a>.</p>	<p>The problem is solved.</p>

**Paper curl**




Action	Yes	No
<p><b>Step 1</b></p> <p><b>a</b> Adjust the guides in the tray to the correct position for the paper loaded.</p> <p><b>b</b> Print the document.</p> <p>Is the paper curled?</p>	<p>Go to step 2.</p>	<p>The problem is solved.</p>
<p><b>Step 2</b></p> <p><b>a</b> Depending on your operating system, specify the paper type from the Printing Preferences or Print dialog.</p> <p><b>Notes:</b></p> <ul style="list-style-type: none"> <li>• Make sure that the setting matches the paper loaded.</li> <li>• You can also change the setting on the printer control panel. Navigate to:</li> </ul> <p><b>Settings &gt; Paper &gt; Tray Configuration &gt; Paper Size/Type</b></p> <p><b>b</b> Print the document.</p> <p>Is the paper curled?</p>	<p>Go to step 3.</p>	<p>The problem is solved.</p>

Action	Yes	No
<p><b>Step 3</b>                      Print on the other side of the paper.  <b>a</b> Remove paper, flip it over, and then reload paper.  <b>b</b> Print the document.</p> <p>Is the paper curled?</p>	Go to step 4.	The problem is solved.
<p><b>Step 4</b>  <b>a</b> Load paper from a fresh package.  <b>Note:</b> Paper absorbs moisture due to high humidity. Store paper in its original wrapper until you are ready to use it.  <b>b</b> Print the document.</p> <p>Is the paper curled?</p>	Contact <a href="#">customer support</a> .	The problem is solved.

**Print crooked or skewed**

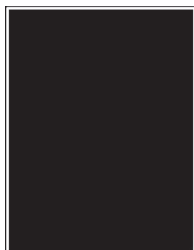


**Note:** Before solving the problem, print the Print Quality Test Pages. From the control panel, navigate to **Settings > Troubleshooting > Print Quality Test Pages**. For non-touch-screen printer models, press  to navigate through the settings.

Action	Yes	No
<p><b>Step 1</b>  <b>a</b> Adjust the paper guides in the tray to the correct position for the paper loaded.  <b>b</b> Print the document.</p> <p>Is the print crooked or skewed?</p>	Go to step 2.	The problem is solved.
<p><b>Step 2</b>  <b>a</b> Load paper from a fresh package.  <b>Note:</b> Paper absorbs moisture due to high humidity. Store paper in its original wrapper until you are ready to use it.  <b>b</b> Print the document.</p> <p>Is the print crooked or skewed?</p>	Go to step 3.	The problem is solved.

Action	Yes	No
<p><b>Step 3</b></p> <p><b>a</b> Check if the paper loaded is supported.  <b>Note:</b> If paper is not supported, then load a supported paper.</p> <p><b>b</b> Print the document.</p> <p>Is the print crooked or skewed?</p>	<p>Contact <a href="#">customer support</a>.</p>	<p>The problem is solved.</p>

**Solid color or black images**




**Note:** Before solving the problem, print the Print Quality Test Pages. From the control panel, navigate to **Settings > Troubleshooting > Print Quality Test Pages**. For non-touch-screen printer models, press **OK** to navigate through the settings.

Action	Yes	No
<p><b>a</b> Remove, and then reinstall the imaging kit.  <b>Warning—Potential Damage:</b> Do not expose the imaging kit to direct light. Extended exposure to light may cause print quality problems.  <b>Warning—Potential Damage:</b> Do not touch the photoconductor drum under the imaging kit. Doing so may affect the quality of future print jobs.</p> <p><b>b</b> Print the document.</p> <p>Is the printer printing solid color or black images?</p>	<p>Contact <a href="#">customer support</a>.</p>	<p>The problem is solved.</p>

**Text or images cut off**

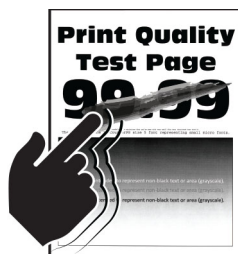




**Note:** Before solving the problem, print the Print Quality Test Pages. From the control panel, navigate to **Settings > Troubleshooting > Print Quality Test Pages**. For non-touch-screen printer models, press  to navigate through the settings.

Action	Yes	No
<p><b>Step 1</b></p> <p><b>a</b> Adjust the paper guides in the tray to the correct position for the paper loaded.</p> <p><b>b</b> Print the document.</p> <p>Are text or images cut off?</p>	Go to step 2.	The problem is solved.
<p><b>Step 2</b></p> <p><b>a</b> Depending on your operating system, specify the paper size from the Printing Preferences or Print dialog.</p> <p><b>Notes:</b></p> <ul style="list-style-type: none"> <li>• Make sure that the setting matches the paper loaded.</li> <li>• You can also change the setting on the printer control panel. Navigate to:</li> </ul> <p><b>Settings &gt; Paper &gt; Tray Configuration &gt; Paper Size/Type</b></p> <p><b>b</b> Print the document.</p> <p>Are text or images cut off?</p>	Go to step 3.	The problem is solved.
<p><b>Step 3</b></p> <p><b>a</b> Remove, and then insert the imaging kit.</p> <p><b>Warning—Potential Damage:</b> Do not expose the imaging kit to direct light. Extended exposure to light may cause print quality problems.</p> <p><b>Warning—Potential Damage:</b> Do not touch the photoconductor drum under the imaging kit. Doing so may affect the quality of future print jobs.</p> <p><b>b</b> Print the document.</p> <p>Are text or images cut off?</p>	Contact <a href="#">customer support</a> .	The problem is solved.

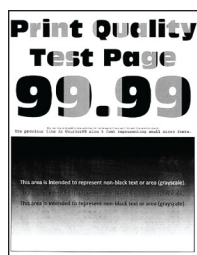
**Toner easily rubs off**



**Note:** Before solving the problem, print the Print Quality Test Pages. From the control panel, navigate to **Settings > Troubleshooting > Print Quality Test Pages**. For non-touch-screen printer models, press **OK** to navigate through the settings.

Action	Yes	No
<p><b>Step 1</b></p> <p><b>a</b> Depending on your operating system, specify the paper type from the Printing Preferences or Print dialog.</p> <p><b>Notes:</b></p> <ul style="list-style-type: none"> <li>• Make sure that the setting matches the paper loaded.</li> <li>• You can also change the setting on the printer control panel. Navigate to: <b>Settings &gt; Paper &gt; Tray Configuration &gt; Paper Size/Type</b></li> </ul> <p><b>b</b> Print the document.</p> <p>Does toner easily rub off?</p>	Go to step 2.	The problem is solved.
<p><b>Step 2</b></p> <p><b>a</b> Check if the paper weight is supported.</p> <p><b>Note:</b> If paper weight is not supported, then load a supported one.</p> <p><b>b</b> Print the document.</p> <p>Does toner easily rub off?</p>	Go to step 3.	The problem is solved.
<p><b>Step 3</b></p> <p><b>a</b> Load paper from a fresh package.</p> <p><b>Note:</b> Paper absorbs moisture due to high humidity. Store paper in its original wrapper until you are ready to use it.</p> <p><b>b</b> Print the document.</p> <p>Does toner easily rub off?</p>	Contact <a href="#">customer support</a> .	The problem is solved.

### Uneven print density




**Note:** Before solving the problem, print the Print Quality Test Pages. From the control panel, navigate to **Settings > Troubleshooting > Print Quality Test Pages**. For non-touch-screen printer models, press **OK** to navigate through the settings.

Action	Yes	No
<p><b>a</b> Remove, and then insert the imaging kit.</p> <p><b>Warning—Potential Damage:</b> Do not expose the imaging kit to direct light. Extended exposure to light may cause print quality problems.</p> <p><b>Warning—Potential Damage:</b> Do not touch the photoconductor drum under the imaging kit. Doing so may affect the quality of future print jobs.</p> <p><b>b</b> Print the document.</p> <p>Is the print density uneven?</p>	<p>Contact <a href="#">customer support</a>.</p>	<p>The problem is solved.</p>

### Horizontal dark lines



**Notes:**

- Before solving the problem, print the Print Quality Test Pages. From the control panel, navigate to **Settings > Troubleshooting > Print Quality Test Pages**. For non-touch-screen printer models, press  to navigate through the settings.
- If horizontal dark lines keep appearing on the prints, then see the “Repeating defects” topic.


Action	Yes	No
<p><b>Step 1</b></p> <p><b>a</b> Depending on your operating system, specify the paper type from the Printing Preferences or Print dialog.</p> <p><b>Notes:</b></p> <ul style="list-style-type: none"> <li>• Make sure that the setting matches the paper loaded.</li> <li>• You can also change the setting on the printer control panel. Navigate to: <b>Settings &gt; Paper &gt; Tray Configuration &gt; Paper Size/Type</b></li> </ul> <p><b>b</b> Print the document.</p> <p>Do dark lines appear on prints?</p>	<p>Go to step 2.</p>	<p>The problem is solved.</p>

Action	Yes	No
<p><b>Step 2</b></p> <p><b>a</b> Load paper from a fresh package.</p> <p><b>Note:</b> Paper absorbs moisture due to high humidity. Store paper in its original wrapper until you use it.</p> <p><b>b</b> Print the document.</p> <p>Do dark lines appear on prints?</p>	Go to step 3.	The problem is solved.
<p><b>Step 3</b></p> <p><b>a</b> Remove, and then insert the imaging kit.</p> <p><b>Warning—Potential Damage:</b> Do not expose the imaging kit to direct light. Extended exposure to light may cause print quality problems.</p> <p><b>Warning—Potential Damage:</b> Do not touch the photoconductor drum under the imaging kit. Doing so may affect the quality of future print jobs.</p> <p><b>b</b> Print the document.</p> <p>Do dark lines appear on prints?</p>	Contact <a href="#">customer support</a> .	The problem is solved.

### Horizontal white lines



**Notes:**

- Before solving the problem, print the Print Quality Test Pages. From the control panel, navigate to **Settings > Troubleshooting > Print Quality Test Pages**. For non-touch-screen printer models, press  to navigate through the settings.
- If horizontal white lines keep appearing on your prints, then see the “Repeating defects” topic.

Action	Yes	No
<p><b>Step 1</b></p> <p><b>a</b> Depending on your operating system, specify the paper type from the Printing Preferences or Print dialog.</p> <p><b>Notes:</b></p> <ul style="list-style-type: none"> <li>• Make sure that the setting matches the paper loaded.</li> <li>• You can also change the setting on the printer control panel. Navigate to:</li> </ul> <p><b>Settings &gt; Paper &gt; Tray Configuration &gt; Paper Size/Type</b></p> <p><b>b</b> Print the document.</p> <p>Do horizontal white lines appear on prints?</p>	<p>Go to step 2.</p>	<p>The problem is solved.</p>
<p><b>Step 2</b></p> <p><b>a</b> Remove, and then insert the imaging kit.</p> <p><b>Warning—Potential Damage:</b> Do not expose the imaging kit to direct light. Extended exposure to light can cause print quality problems.</p> <p><b>Warning—Potential Damage:</b> Do not touch the photoconductor drum under the imaging kit. Doing so may affect the quality of future print jobs.</p> <p><b>b</b> Print the document.</p> <p>Do horizontal white lines appear on prints?</p>	<p>Contact <a href="#">customer support</a>.</p>	<p>The problem is solved.</p>

### Vertical white lines




**Note:** Before solving the problem, print the Print Quality Test Pages. From the control panel, navigate to **Settings > Troubleshooting > Print Quality Test Pages**. For non-touch-screen printer models, press **OK** to navigate through the settings.

Action	Yes	No
<p><b>Step 1</b></p> <p><b>a</b> Depending on your operating system, specify the paper type from the Printing Preferences or Print dialog.</p> <p><b>Notes:</b></p> <ul style="list-style-type: none"> <li>• Make sure that the setting matches the paper loaded.</li> <li>• You can also change the setting on the printer control panel. Navigate to:</li> </ul> <p><b>Settings &gt; Paper &gt; Tray Configuration &gt; Paper Size/Type</b></p> <p><b>b</b> Print the document.</p> <p>Do vertical white lines appear on prints?</p>	Go to step 2.	The problem is solved.
<p><b>Step 2</b></p> <p>Check if you are using the recommended paper type.</p> <p><b>a</b> Load the paper source with the recommended paper type.</p> <p><b>b</b> Print the document.</p> <p>Do vertical white lines appear on prints?</p>	Go to step 3.	The problem is solved.
<p><b>Step 3</b></p> <p><b>a</b> Remove, and then insert the imaging kit.</p> <p><b>Warning—Potential Damage:</b> Do not expose the imaging kit to direct light. Extended exposure to light may cause print quality problems.</p> <p><b>Warning—Potential Damage:</b> Do not touch the photoconductor drum under the imaging kit. Doing so may affect the quality of future print jobs.</p> <p><b>b</b> Print the document.</p> <p>Do vertical white lines appear on prints?</p>	Contact <a href="#">customer support</a> .	The problem is solved.


### Repeating defects



**Note:** Before solving the problem, print the Print Quality Test Pages. From the control panel, navigate to **Settings > Troubleshooting > Print Quality Test Pages**. For non-touch-screen printer models, press  to navigate through the settings.

Action	Yes	No
<p><b>a</b> Using the Print Quality Test Pages, measure the distance between the repeating defects on the affected color page.</p> <p><b>b</b> Check if the repeating defects match any of the following measurements:</p> <p><b>Imaging kit</b></p> <ul style="list-style-type: none"> <li>• 94.20 mm (3.71 in.)</li> <li>• 29.80 mm (1.17 in.)</li> <li>• 23.20 mm (0.91 in.)</li> </ul> <p><b>Developer unit</b></p> <ul style="list-style-type: none"> <li>• 43.90 mm (1.73 in.)</li> <li>• 45.50 mm (1.79 in.)</li> </ul> <p><b>Transfer module</b></p> <ul style="list-style-type: none"> <li>• 37.70 mm (1.48 in.)</li> <li>• 78.50 mm (3.09 in.)</li> <li>• 55 mm (2.17 in.)</li> </ul> <p><b>Fuser</b></p> <ul style="list-style-type: none"> <li>• 79.80 mm (3.14 in.)</li> <li>• 94.30 mm (3.71 in.)</li> </ul> <p>Do the repeating defects match any of the measurements?</p>	<p>Take note of the distance, and then contact <a href="#">customer support</a>.</p>	<p>Take note of the distance, and then contact <a href="#">customer support</a>.</p>

### The printer is not responding

Action	Yes	No
<p><b>Step 1</b> Check if the power cord is connected to the electrical outlet.</p> <p> <b>CAUTION—POTENTIAL INJURY:</b> To avoid the risk of fire or electrical shock, connect the power cord to an appropriately rated and properly grounded electrical outlet that is near the product and easily accessible.</p> <p>Is the printer responding?</p>	<p>The problem is solved.</p>	<p>Go to step 2.</p>
<p><b>Step 2</b> Check if the electrical outlet is turned off by a switch or breaker.</p> <p>Is the electrical outlet turned off by a switch or breaker?</p>	<p>Turn on the switch or reset the breaker.</p>	<p>Go to step 3.</p>
<p><b>Step 3</b> Check if the printer is on.</p> <p>Is the printer on?</p>	<p>Go to step 4.</p>	<p>Turn on the printer.</p>

Action	Yes	No
<p><b>Step 4</b> Check if the printer is in Sleep or Hibernate mode.</p> <p>Is the printer in Sleep or Hibernate mode?</p>	Press the power button to wake the printer.	Go to step 5.
<p><b>Step 5</b> Check if the cables connecting the printer and the computer are inserted to the correct ports.</p> <p>Are the cables inserted to the correct ports?</p>	Go to step 6.	Insert the cables to the correct ports.
<p><b>Step 6</b> Turn off the printer, install the hardware options, and then turn on the printer. For more information, see the documentation that came with the option.</p> <p>Is the printer responding?</p>	The problem is solved.	Go to step 7.
<p><b>Step 7</b> Install the correct print driver.</p> <p>Is the printer responding?</p>	The problem is solved.	Go to step 8.
<p><b>Step 8</b> Turn off the printer, wait for about 10 seconds, and then turn on the printer.</p> <p>Is the printer responding?</p>	The problem is solved.	Contact <a href="#">customer support</a> .

### Job prints from the wrong tray or on the wrong paper

Action	Yes	No
<p><b>Step 1</b></p> <p><b>a</b> Check if you are printing on the correct paper.</p> <p><b>b</b> Print the document.</p> <p>Is the document printed on the correct paper?</p>	Go to step 2.	Load the correct paper size and paper type.



Action	Yes	No
<p><b>Step 2</b></p> <p><b>a</b> Depending on your operating system, specify the paper size and paper type from the Printing Preferences or Print dialog.</p> <p><b>Note:</b> You can also change the settings on the printer control panel. Navigate to:</p> <p><b>Settings &gt; Paper &gt; Tray Configuration &gt; Paper Size/Type</b></p> <p><b>b</b> Make sure that the settings match the paper loaded.</p> <p><b>c</b> Print the document.</p> <p>Is the document printed on the correct paper?</p>	<p>The problem is solved.</p>	<p>Go to step 3.</p>
<p><b>Step 3</b></p> <p><b>a</b> Check if the trays are linked. For more information, see <a href="#">“Linking trays” on page 33</a>.</p> <p><b>b</b> Print the document.</p> <p>Is the document printed from the correct tray?</p>	<p>The problem is solved.</p>	<p>Contact <a href="#">customer support</a>.</p>

## Color quality problems

### Adjusting toner darkness

- 1 From the home screen, touch **Settings > Print > Quality**.
- 2 Adjust the toner darkness.
- 3 Apply the changes.

### Modifying the colors in printed output

- 1 From the home screen, touch **Settings > Print > Quality > Advanced Imaging > Color Correction**.
- 2 In the Color Correction menu, touch **Manual > Color Correction Content**.
- 3 Choose the appropriate color conversion setting.

Object type	Color conversion tables
RGB Image RGB Text RGB Graphics	<ul style="list-style-type: none"> <li>• Vivid—Produces brighter, more saturated colors and may be applied to all incoming color formats.</li> <li>• sRGB Display—Produces an output that approximates the colors shown on a computer monitor. Black toner usage is optimized for printing photographs.</li> <li>• Display-True Black—Produces an output that approximates the colors shown on a computer monitor. This setting uses only black toner to create all levels of neutral gray.</li> <li>• sRGB Vivid—Provides an increased color saturation for the sRGB Display color correction. Black toner usage is optimized for printing business graphics.</li> <li>• Off</li> </ul>
CMYK Image CMYK Text CMYK Graphics	<ul style="list-style-type: none"> <li>• US CMYK—Applies color correction to approximate the Specifications for Web Offset Publishing (SWOP) color output.</li> <li>• Euro CMYK—Applies color correction to approximate Euroscale color output.</li> <li>• Vivid CMYK—Increases the color saturation of the US CMYK color correction setting.</li> <li>• Off</li> </ul>

## FAQ about color printing

### What is RGB color?

RGB color is a method of describing colors by indicating the amount of red, green, or blue used to produce a certain color. Red, green, and blue light can be added in various amounts to produce a large range of colors observed in nature. Computer screens, scanners, and digital cameras use this method to display colors.

### What is CMYK color?

CMYK color is a method of describing colors by indicating the amount of cyan, magenta, yellow, and black used to reproduce a particular color. Cyan, magenta, yellow, and black inks or toners can be printed in various amounts to produce a large range of colors observed in nature. Printing presses, inkjet printers, and color laser printers create colors in this manner.

### How is color specified in a document to be printed?

Software programs are used to specify and modify the document color using RGB or CMYK color combinations. For more information, see the software program Help topics.

### How does the printer know what color to print?

When printing a document, information describing the type and color of each object is sent to the printer and is passed through color conversion tables. Color is translated into the appropriate amounts of cyan, magenta, yellow, and black toner used to produce the color you want. The object information determines the application of color conversion tables. For example, it is possible to apply one type of color conversion table to text while applying a different color conversion table to photographic images.

### What is manual color correction?

When manual color correction is enabled, the printer employs user-selected color conversion tables to process objects. Manual color correction settings are specific to the type of object being printed (text, graphics, or images). It is also specific to how the color of the object is specified in the software program (RGB or CMYK combinations). To apply a different color conversion table manually, see [“Modifying the colors in printed output” on page 181](#).

If the software program does not specify colors with RGB or CMYK combinations, then manual color correction is not useful. It is also not effective if the software program or the computer operating system controls the adjustment of colors. In most situations, setting the Color Correction to Auto generates preferred colors for the documents.

### How can I match a particular color (such as a corporate logo)?

From the printer Quality menu, nine types of Color Samples sets are available. These sets are also available from the Color Samples page of the Embedded Web Server. Selecting any sample set generates multiple-page prints consisting of hundreds of colored boxes. Each box contains a CMYK or RGB combination, depending on the table selected. The observed color of each box is obtained by passing the CMYK or RGB combination labeled on the box through the selected color conversion table.

By examining Color Samples sets, you can identify the box with color closest to the color being matched. The color combination labeled on the box can then be used for modifying the color of the object in a software program. For more information, see the software program Help topics. Manual color correction may be necessary to use the selected color conversion table for the particular object.

Selecting which Color Samples set to use for a particular color-matching problem depends on:

- The Color Correction setting being used (Auto, Off, or Manual)
- The type of object being printed (text, graphics, or images)
- How the color of the object is specified in the software program (RGB or CMYK combinations)

If the software program does not specify colors with RGB or CMYK combinations, then the Color Samples pages are not useful. Additionally, some software programs adjust the RGB or CMYK combinations specified in the program through color management. In these situations, the printed color may not be an exact match of the Color Samples pages.

### The print appears tinted

Action	Yes	No
<p><b>Step 1</b> Perform Color Adjust.</p> <p><b>a</b> From the home screen, touch <b>Settings &gt; Print &gt; Quality &gt; Advanced Imaging &gt; Color Adjust</b>.</p> <p><b>b</b> Print the document.</p> <p>Does the print appear tinted?</p>	Go to step 2.	The problem is solved.

Action	Yes	No
<p><b>Step 2</b>                      Perform Color Balance.</p> <p><b>a</b> From the home screen, touch <b>Settings &gt; Print &gt; Quality &gt; Advanced Imaging &gt; Color Balance</b>.</p> <p><b>b</b> Adjust the settings.</p> <p><b>c</b> Print the document.</p> <p>Does the print appear tinted?</p>	<p>Contact <a href="#">customer support</a>.</p>	<p>The problem is solved.</p>

## Contacting customer support

Before contacting customer support, make sure to have the following information:

- Printer problem
- Error message
- Printer model type and serial number

Go to <http://support.lexmark.com> to receive e-mail or chat support, or browse through the library of manuals, support documentation, drivers, and other downloads.

Technical support via telephone is also available. In the U.S. or Canada, call 1-800-539-6275. For other countries or regions, go to <http://support.lexmark.com>.

# Upgrading and migrating

## Hardware

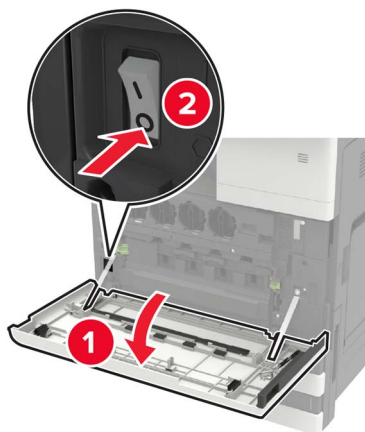
### Available internal options

- Memory card
  - DDR3 DIMM
  - Flash memory
    - Fonts
  - Application cards
    - Forms and Bar Code
    - PRESCRIBE
    - IPDS
- Lexmark Internal Solutions Port (ISP)
  - MarkNet N8370 Wireless Print Server
  - IEEE 1284-B Parallel Card
  - RS-232C Serial Card

### Installing a memory card

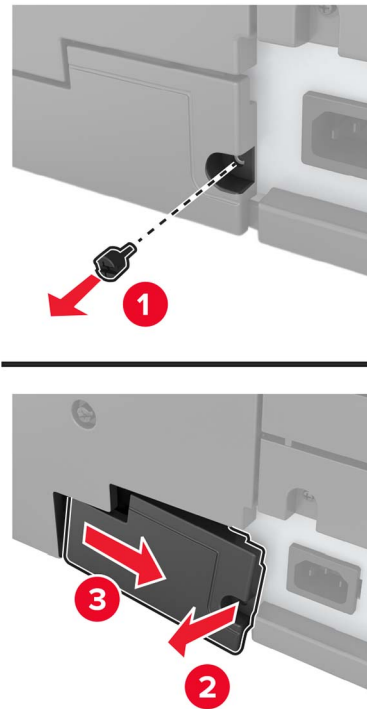
**⚠ CAUTION—SHOCK HAZARD:** To avoid the risk of electrical shock, if you are accessing the controller board or installing optional hardware or memory devices sometime after setting up the printer, then turn the printer off, and unplug the power cord from the electrical outlet before continuing. If you have any other devices attached to the printer, then turn them off as well, and unplug any cables going into the printer.

- 1 Turn off the printer.

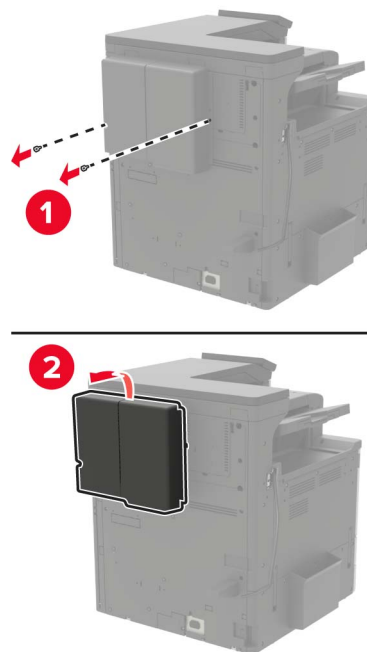


- 2 Unplug the power cord from the electrical outlet.

- 3 Using the screwdriver stored inside door A, remove the connector cover from the rear of the printer.

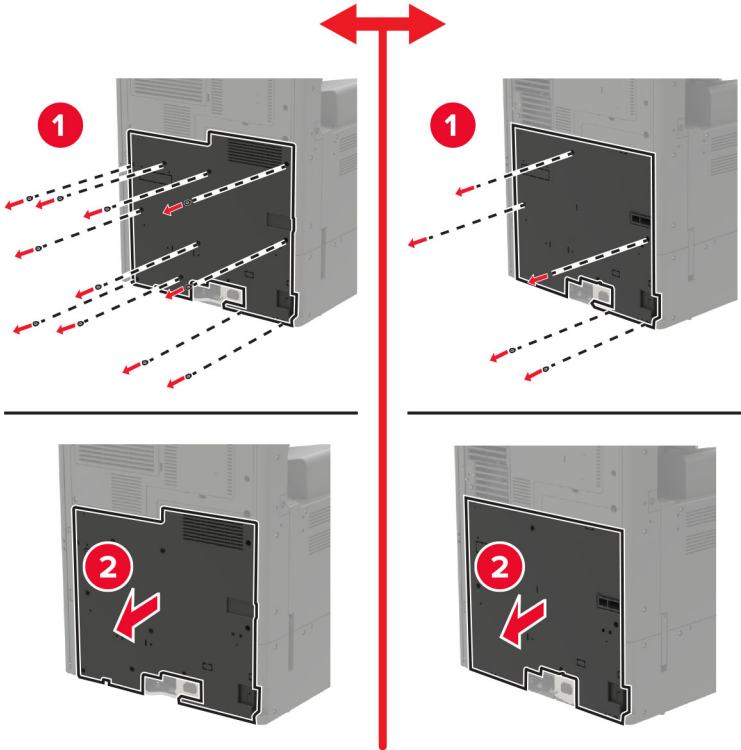


- 4 If the printer has a filter cover, then remove the cover.

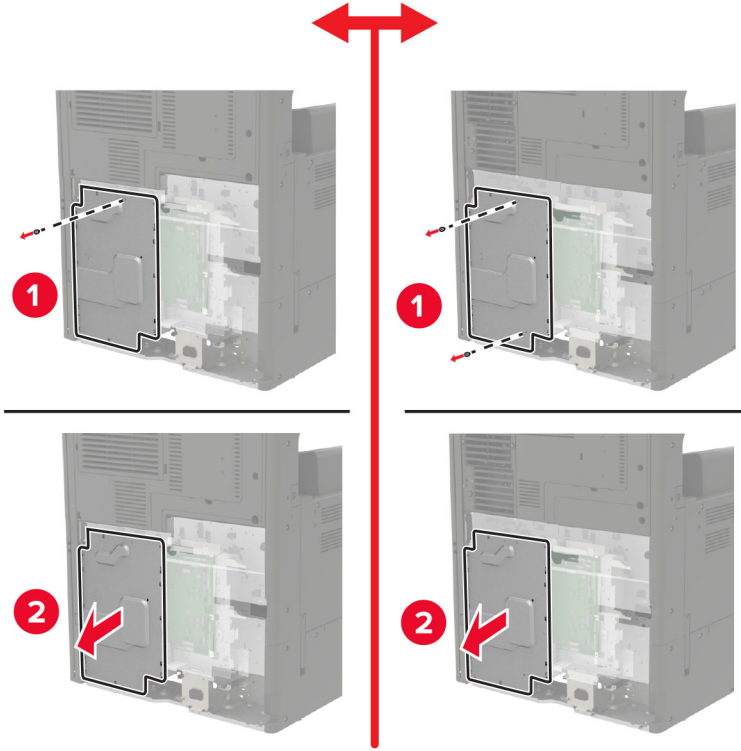


- 5 Remove the controller board access cover.

**Warning—Potential Damage:** Controller board electronic components are easily damaged by static electricity. Touch a metal surface on the printer before touching any controller board components or connectors.



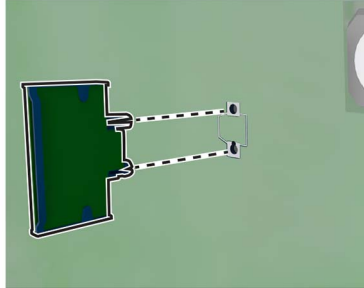
6 Remove the controller board shield.



7 Unpack the memory card.

**Warning—Potential Damage:** Avoid touching the connection points along the edge of the card.

8 Insert the memory card until it *clicks* into place.



9 Attach the shield, and then attach the access cover.

10 Attach the connector cover.

11 If you removed a filter cover, then attach the cover.

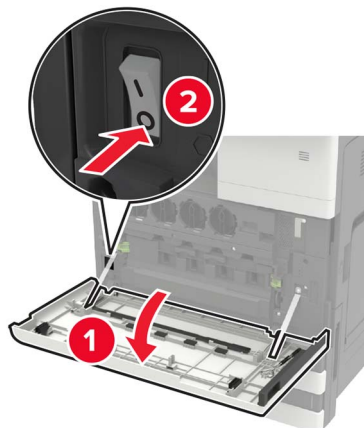
12 Connect the power cord to the electrical outlet, and then turn on the printer.

**CAUTION—POTENTIAL INJURY:** To avoid the risk of fire or electrical shock, connect the power cord to an appropriately rated and properly grounded electrical outlet that is near the product and easily accessible.

## Installing a printer hard disk

**CAUTION—SHOCK HAZARD:** To avoid the risk of electrical shock, if you are accessing the controller board or installing optional hardware or memory devices sometime after setting up the printer, then turn the printer off, and unplug the power cord from the electrical outlet before continuing. If you have any other devices attached to the printer, then turn them off as well, and unplug any cables going into the printer.

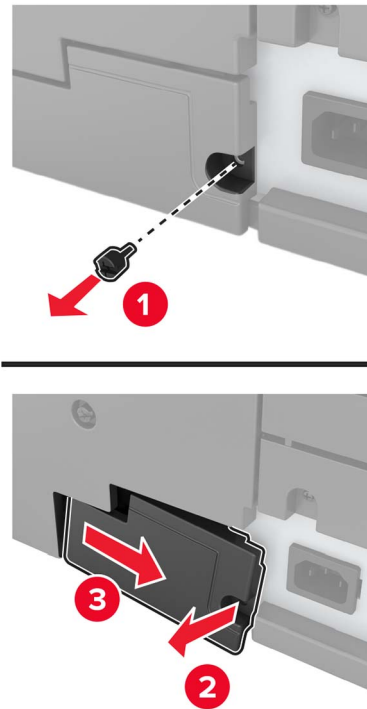
1 Turn off the printer.



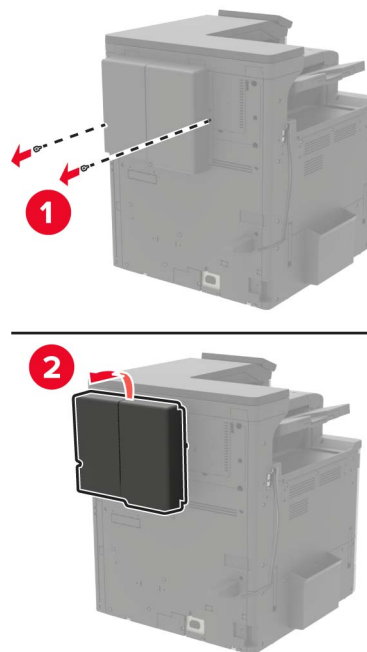
2 Unplug the power cord from the electrical outlet.



- 3 Using the screwdriver stored inside door A, remove the connector cover from the rear of the printer.

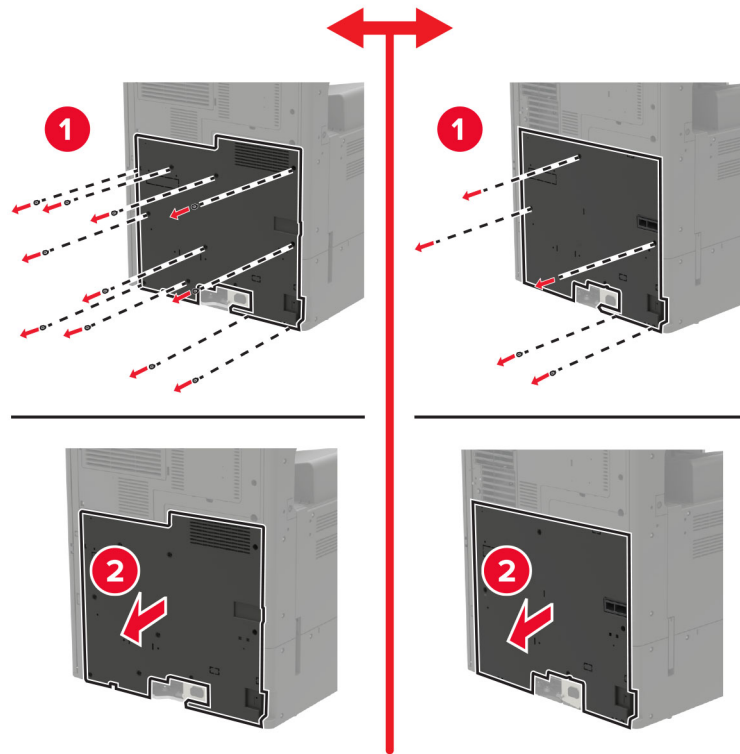


- 4 If the printer has a filter cover, then remove the cover.

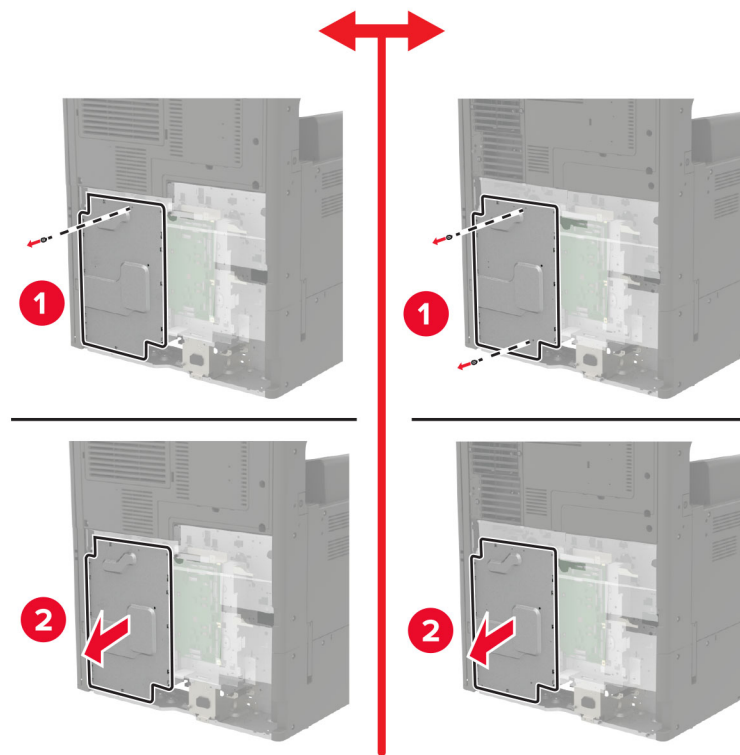


- 5 Remove the controller board access cover.

**Warning—Potential Damage:** Controller board electronic components are easily damaged by static electricity. Touch a metal surface on the printer before touching any controller board components or connectors.

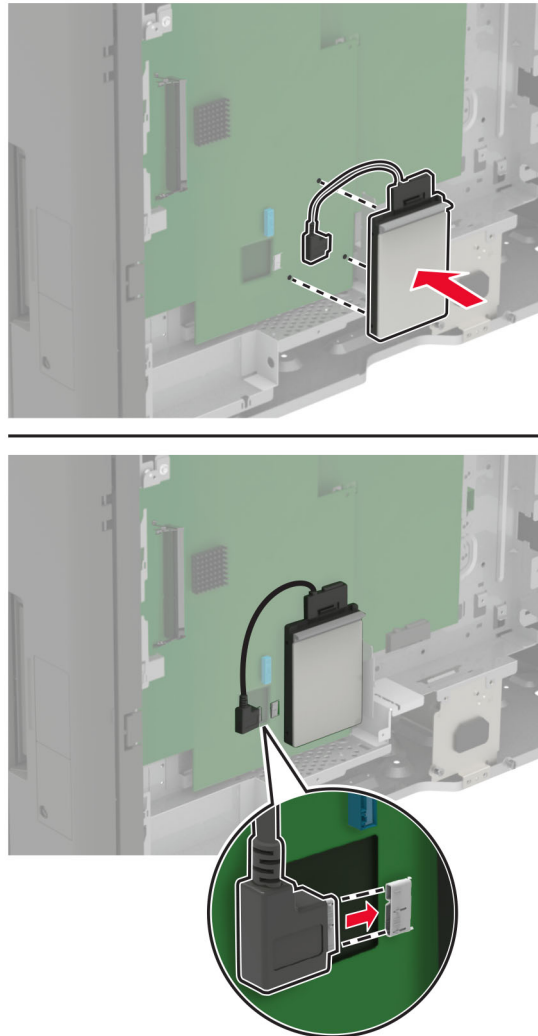


**6** Remove the controller board shield.



**7** Unpack the printer hard disk.

- 8 Attach the hard disk, and then connect the hard disk interface cable to the controller board.



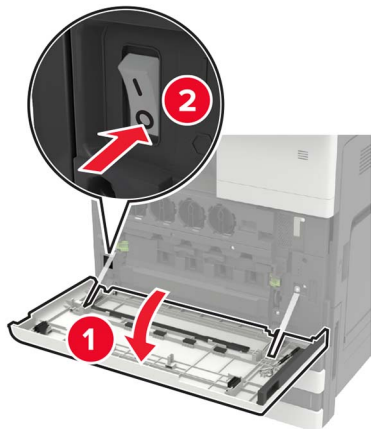
- 9 Attach the shield, and then attach the access cover.
- 10 Attach the connector cover.
- 11 If you removed a filter cover, then attach the cover.
- 12 Connect the power cord to the electrical outlet, and then turn on the printer.

**⚠ CAUTION—POTENTIAL INJURY:** To avoid the risk of fire or electrical shock, connect the power cord to an appropriately rated and properly grounded electrical outlet that is near the product and easily accessible.

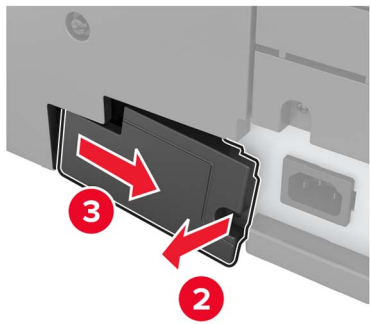
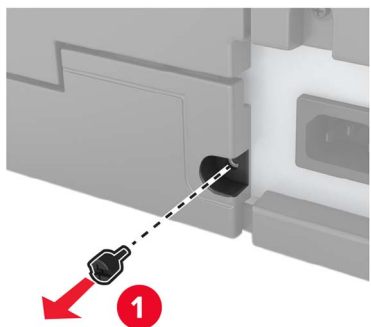
## Installing an optional card

**⚠ CAUTION—SHOCK HAZARD:** To avoid the risk of electrical shock, if you are accessing the controller board or installing optional hardware or memory devices sometime after setting up the printer, then turn the printer off, and unplug the power cord from the electrical outlet before continuing. If you have any other devices attached to the printer, then turn them off as well, and unplug any cables going into the printer.

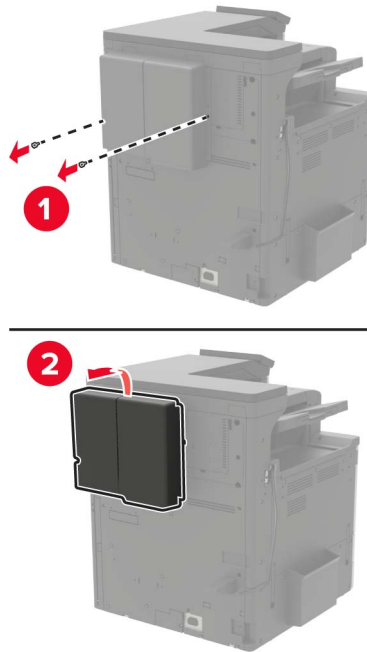
- 1 Turn off the printer.



- 2 Unplug the power cord from the electrical outlet.
- 3 Using the screwdriver stored inside door A, remove the connector cover from the rear of the printer.

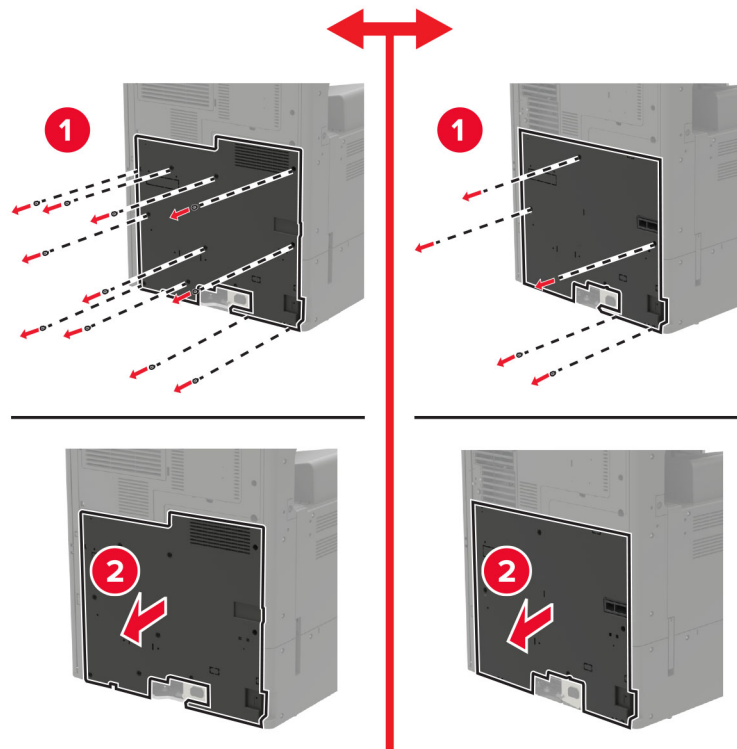


- 4 If the printer has a filter cover, then remove the cover.

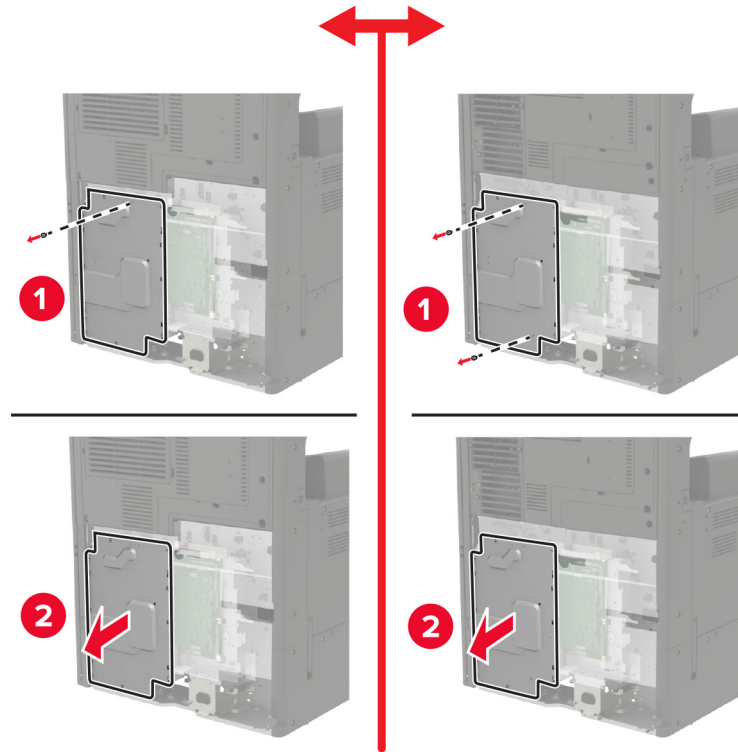


- 5 Remove the controller board access cover.

**Warning—Potential Damage:** Controller board electronic components are easily damaged by static electricity. Touch a metal surface on the printer before touching any controller board components or connectors.



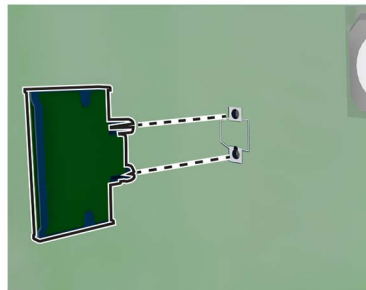
- 6 Remove the controller board shield.



- 7 Unpack the optional card.

**Warning—Potential Damage:** Avoid touching the connection points along the edge of the card.

- 8 Push the card firmly into place.



**Note:** The entire length of the connector on the card must touch and be flush against the controller board.

**Warning—Potential Damage:** Improper installation of the card may cause damage to the card and the controller board.

- 9 Attach the shield, and then attach the access cover.  
10 Attach the connector cover.

- 11 If you removed a filter cover, then attach the cover.
- 12 Connect the power cord to the electrical outlet, and then turn on the printer.

**CAUTION—POTENTIAL INJURY:** To avoid the risk of fire or electrical shock, connect the power cord to an appropriately rated and properly grounded electrical outlet that is near the product and easily accessible.

## Installing a wireless print server

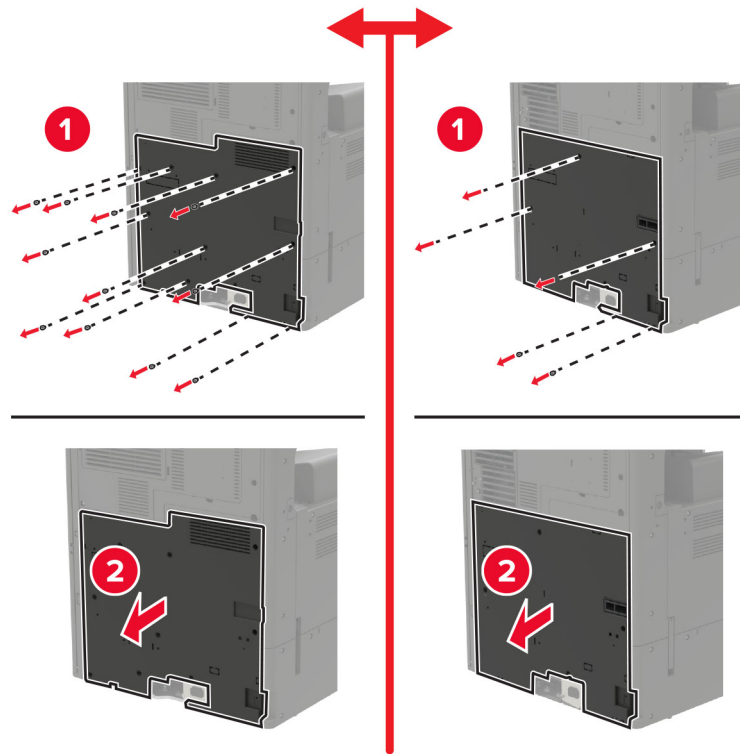
**CAUTION—SHOCK HAZARD:** To avoid the risk of electrical shock, if you are accessing the controller board or installing optional hardware or memory devices sometime after setting up the printer, then turn the printer off, and unplug the power cord from the electrical outlet before continuing. If you have any other devices attached to the printer, then turn them off as well, and unplug any cables going into the printer.

- 1 Turn off the printer.

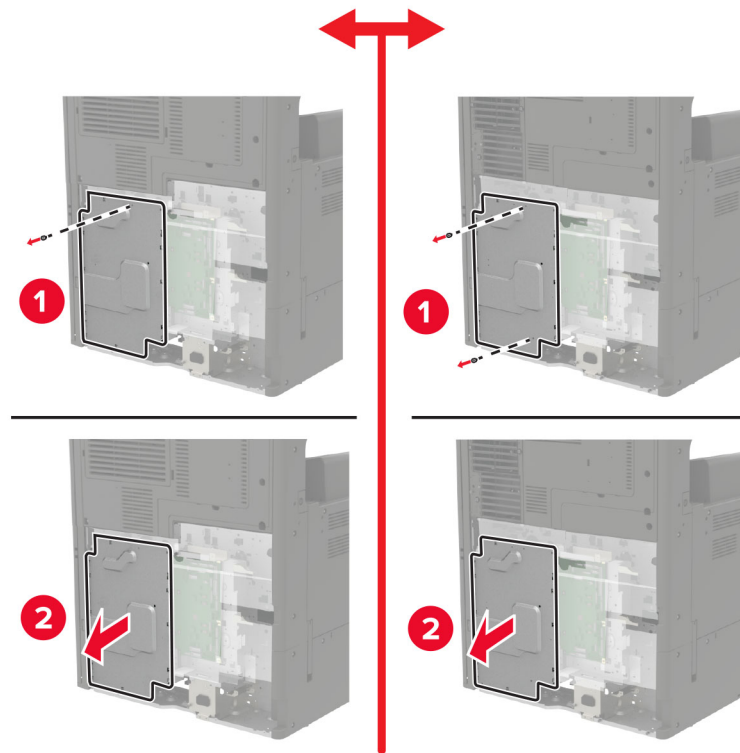


- 2 Unplug the power cord from the electrical outlet.
- 3 Using the screwdriver stored inside door A, remove the controller board access cover.

**Warning—Potential Damage:** Controller board electronic components are easily damaged by static electricity. Touch a metal surface on the printer before touching any controller board components or connectors.

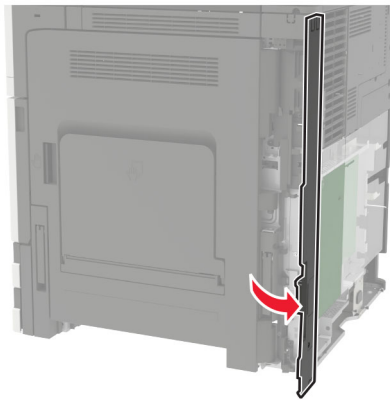


4 Remove the controller board shield.



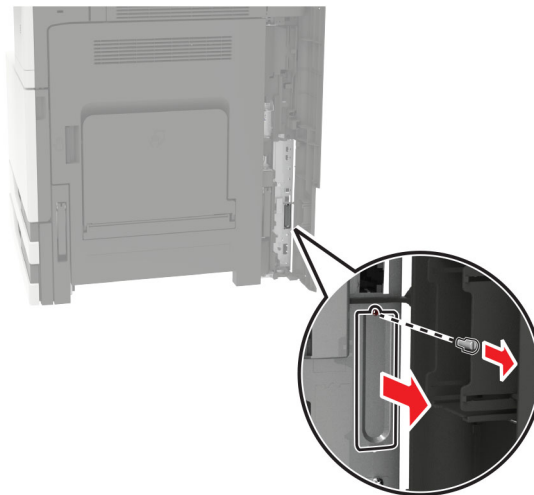


- 5 Open the port access door.

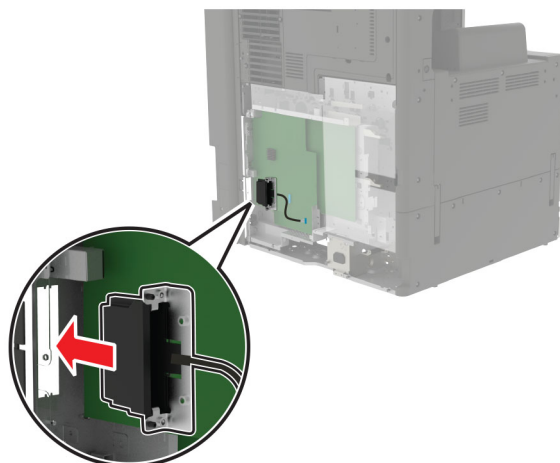


- 6 Remove the option slot cover.

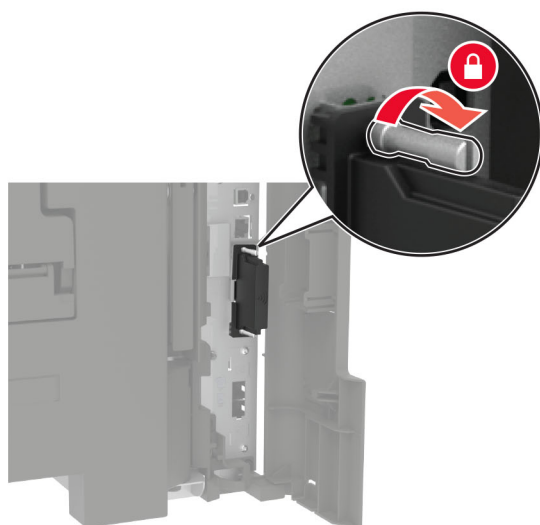
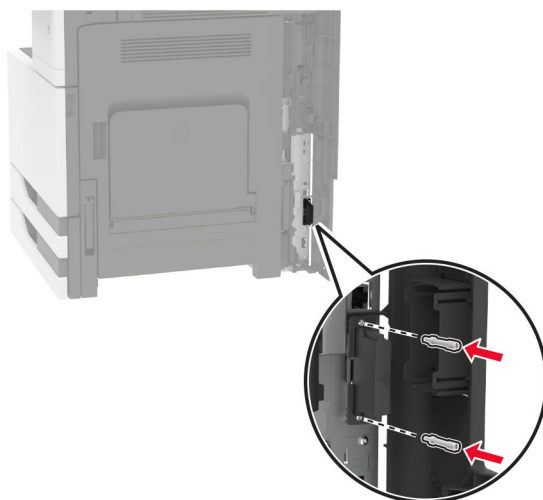
**Note:** Using a Phillips screwdriver, remove the screw. Lift the cover, and then pull it out completely.



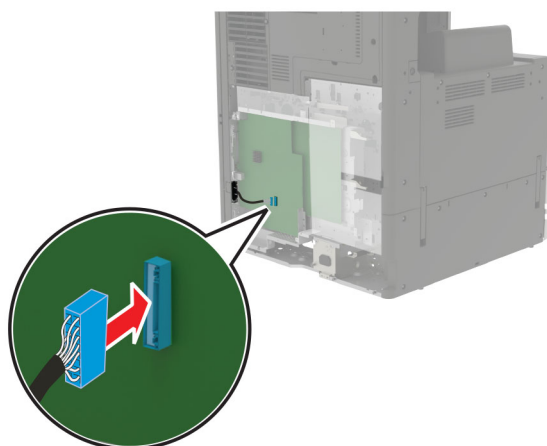
- 7 Unpack the wireless print server, and then pass it through the option slot.



**8** Attach the thumbscrews.



**9** Connect the wireless print server to the controller board.



- 10 Reattach the shield, and then reattach the access cover.
- 11 Connect the power cord to the electrical outlet, and then turn on the printer.

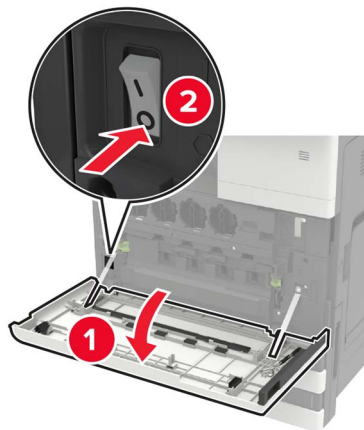
**⚠ CAUTION—POTENTIAL INJURY:** To avoid the risk of fire or electrical shock, connect the power cord to an appropriately rated and properly grounded electrical outlet that is near the product and easily accessible.

## Installing the 2 x 500- or 2500-sheet tray

**⚠ CAUTION—SHOCK HAZARD:** To avoid the risk of electrical shock, if you are accessing the controller board or installing optional hardware or memory devices sometime after setting up the printer, then turn the printer off, and unplug the power cord from the electrical outlet before continuing. If you have any other devices attached to the printer, then turn them off as well, and unplug any cables going into the printer.

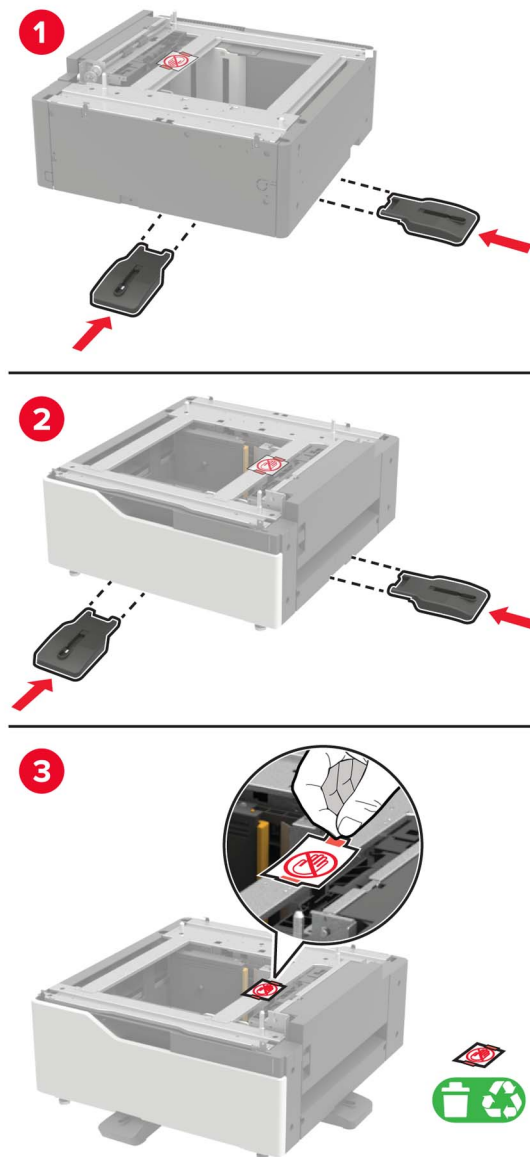
**⚠ CAUTION—TIPPING HAZARD:** Installing one or more options on your printer or MFP may require a caster base, furniture, or other feature to prevent instability causing possible injury. For more information on supported configurations, see [www.lexmark.com/multifunctionprinters](http://www.lexmark.com/multifunctionprinters).

- 1 Turn off the printer.



- 2 Unplug the power cord from the electrical outlet, and then from the printer.
- 3 Unpack the tray, and then remove all packing material.

- 4 Attach the stabilizing feet to the tray, and then remove the adhesive cover.

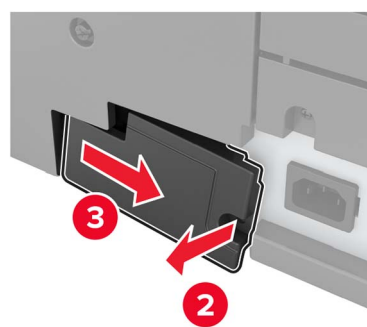
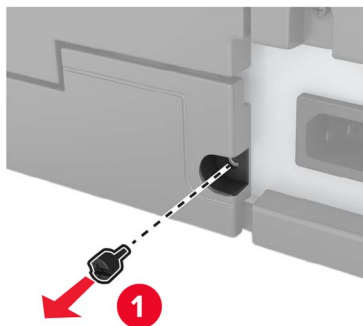


- 5 Using the side handles, align the printer with the tray, and then lower the printer into place.

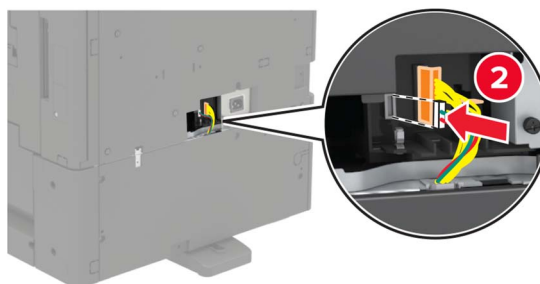
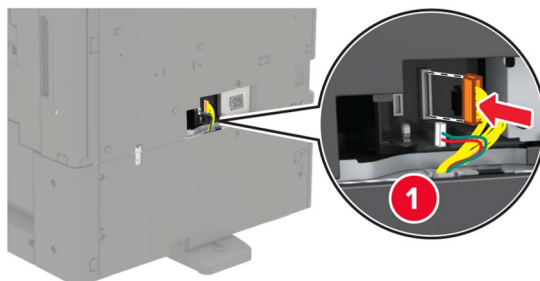
**⚠ CAUTION—POTENTIAL INJURY:** If the printer weight is greater than 20 kg (44 lb), then it may require two or more people to lift it safely.



**6** Using the screwdriver stored inside door A, remove the connector cover from the rear of the printer.



**7** Connect the tray connector to the printer.

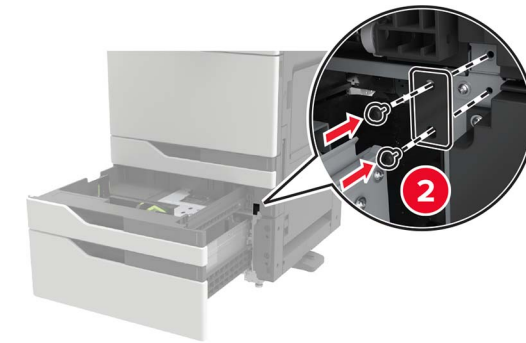
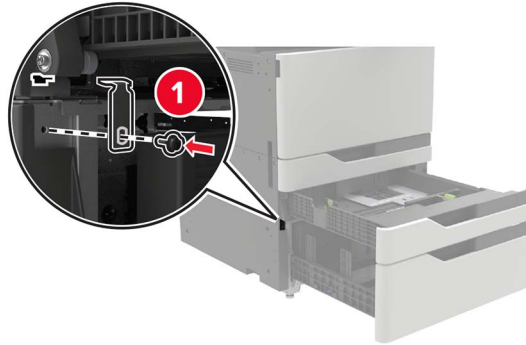


**8** Open trays 2 and 3.

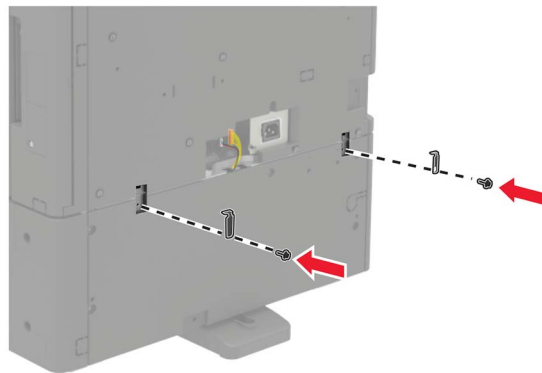


**9** Secure the tray to the printer with the locking clips and metal bracket.

- Front



- Rear

**10** Close the trays, and then attach the connector cover.**11** Connect the power cord to the printer, and then to the electrical outlet.

**⚠ CAUTION—POTENTIAL INJURY:** To avoid the risk of fire or electrical shock, connect the power cord to an appropriately rated and properly grounded electrical outlet that is near the product and easily accessible.

**12** Turn on the printer.

Add the tray in the print driver to make it available for print jobs. For more information, see [“Adding available options in the print driver” on page 228](#).

When installing hardware options, follow this order of installation.

- 2 x 500- or 2500-sheet tray
- Printer
- Staple finisher

## Installing the 3000-sheet tray

**Note:** The 3000-sheet tray is only supported if the 2 x 500- or 2500-sheet tray is installed.

**⚠ CAUTION—SHOCK HAZARD:** To avoid the risk of electrical shock, if you are accessing the controller board or installing optional hardware or memory devices sometime after setting up the printer, then turn the printer off, and unplug the power cord from the electrical outlet before continuing. If you have any other devices attached to the printer, then turn them off as well, and unplug any cables going into the printer.

**⚠ CAUTION—TIPPING HAZARD:** Installing one or more options on your printer or MFP may require a caster base, furniture, or other feature to prevent instability causing possible injury. For more information on supported configurations, see [www.lexmark.com/multifunctionprinters](http://www.lexmark.com/multifunctionprinters).

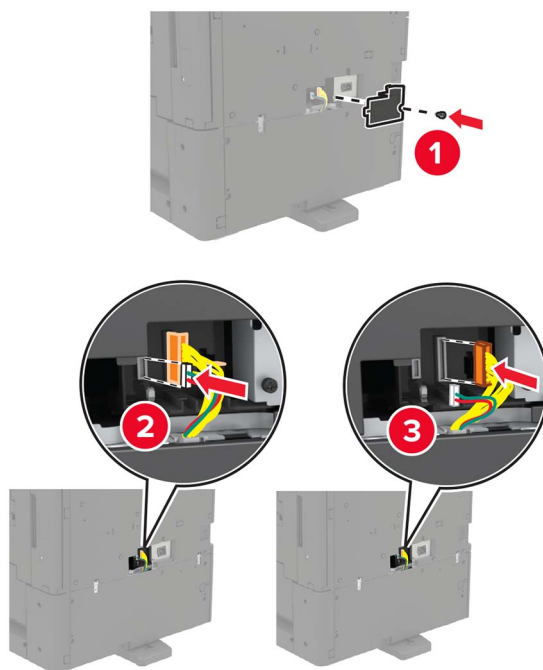
- 1 Turn off the printer.



- 2 Unplug the power cord from the electrical outlet, and then from the printer.
- 3 Unpack the tray.



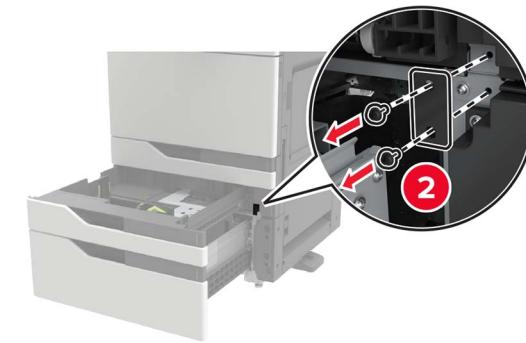
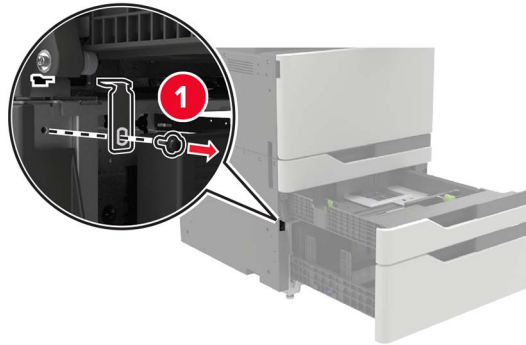
- 4 Using the screwdriver stored inside door A, disconnect the 2 x 500- or 2500-sheet tray cable from the rear of the printer.



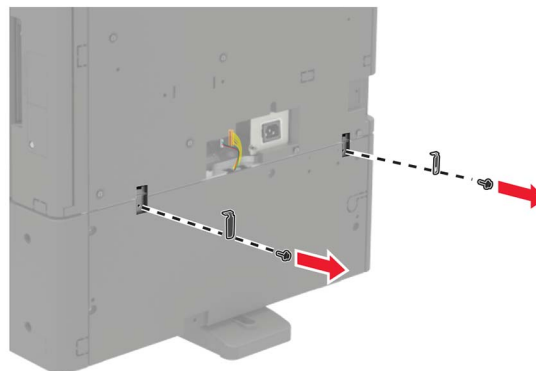
- 5 Open trays 2 and 3.




- 6 Remove the metal brackets and the locking clip that secure the 2 x 500- or 2500-sheet tray to the printer.
- Front

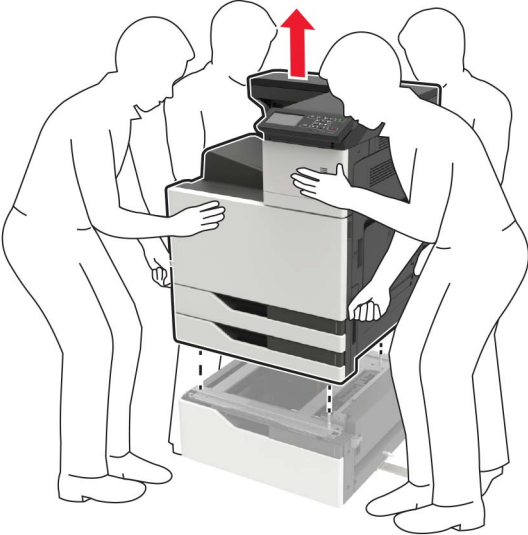


- Rear

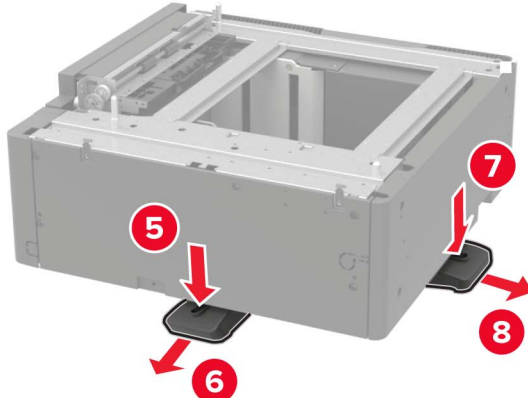
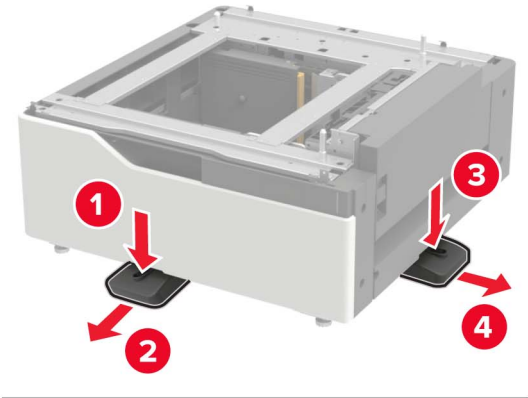


- 7 Close the trays.
- 8 Using the side handles, remove the printer from the 2 x 500- or 2500-sheet tray.

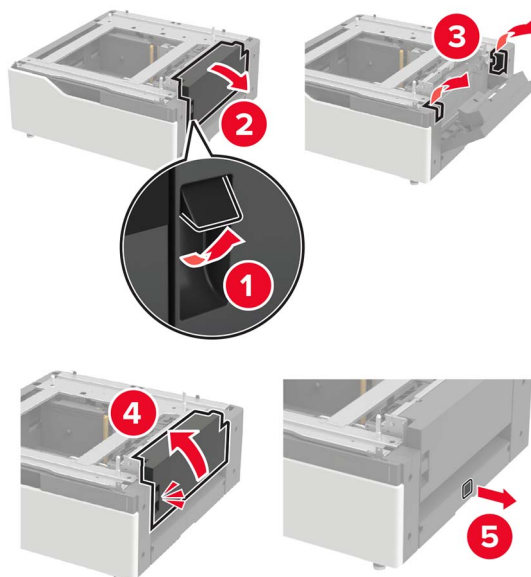
 **CAUTION—POTENTIAL INJURY:** If the printer weight is greater than 20 kg (44 lb), then it may require two or more people to lift it safely.



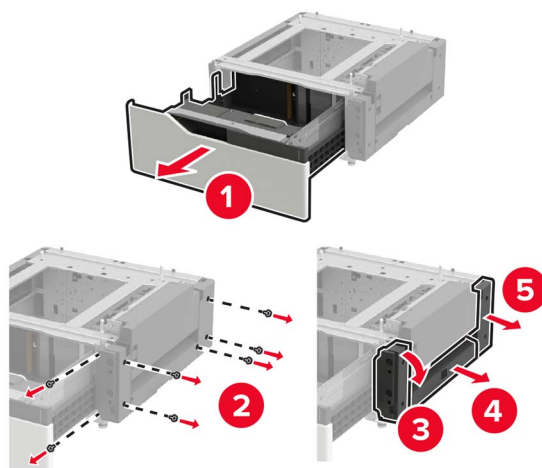
9 Remove the stabilizing feet from the tray.



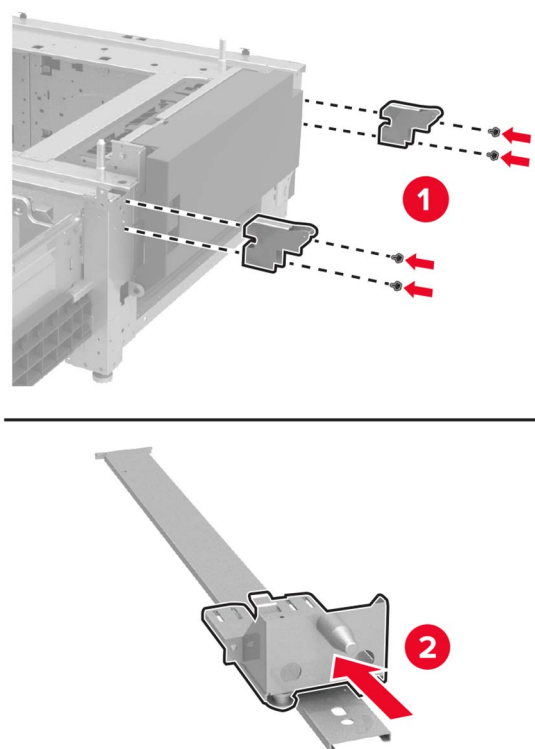
**10** Remove the adhesive covers.



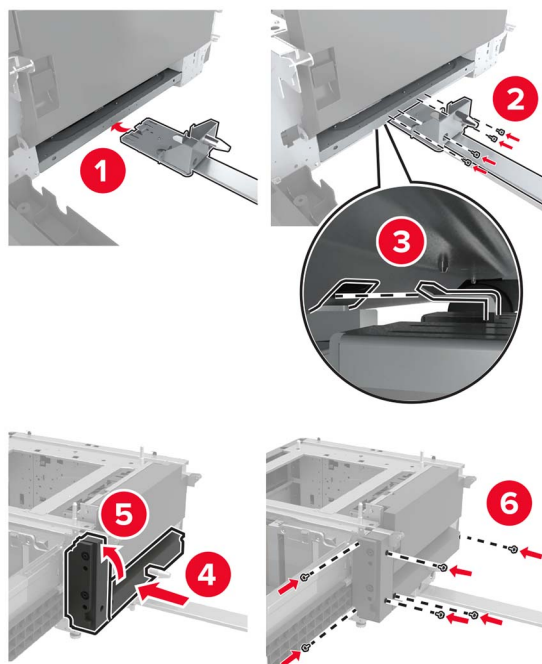
**11** Open the tray, and then remove the mounting bracket and rail covers.



**12** Attach the side mounting brackets to the tray, and then insert the guide plate into the rail.

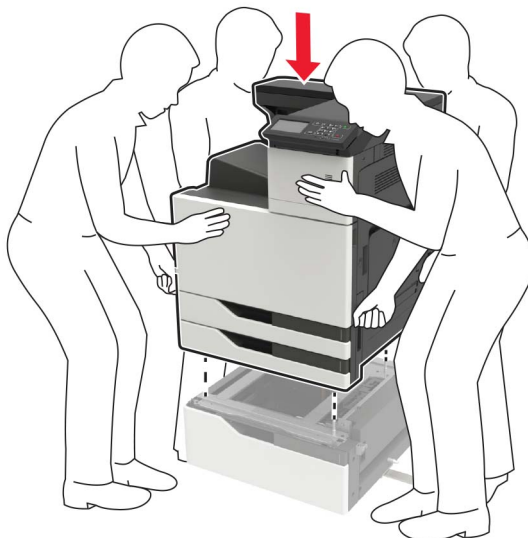


**13** Attach the rail, and then attach the mounting bracket and rail covers.

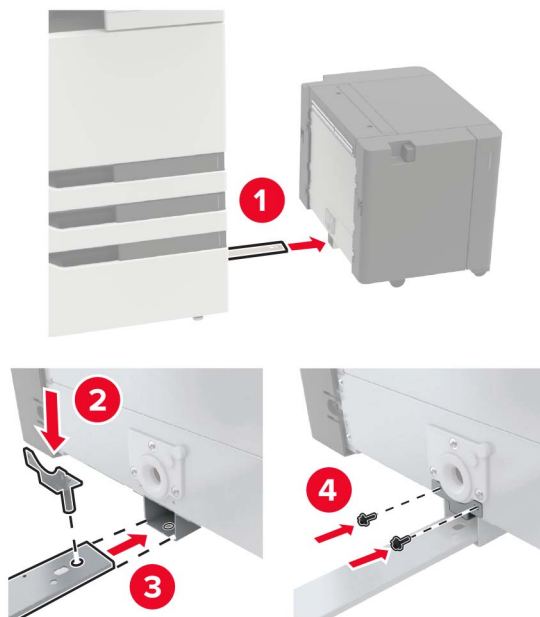


**14** Close the tray.

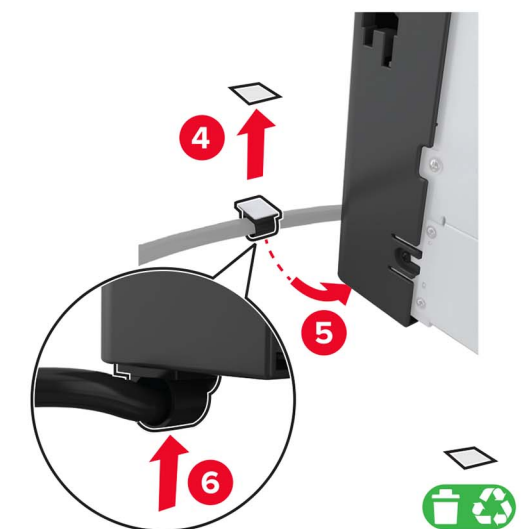
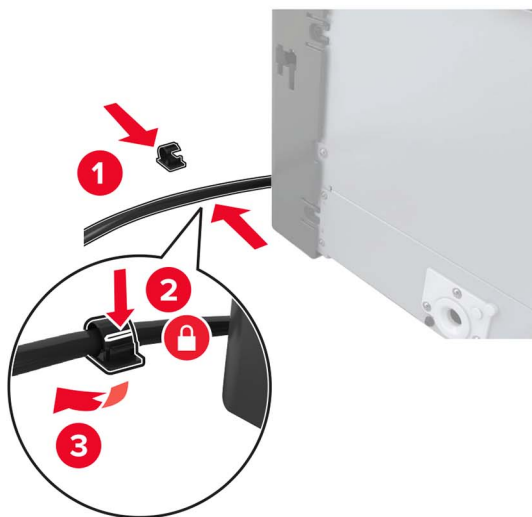
**15** Using the side handles, align the printer with the tray, and then lower the printer into place.



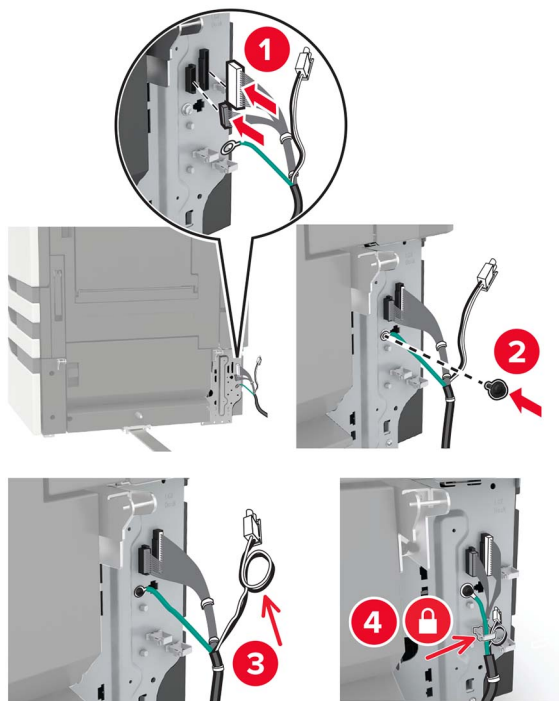
**16** Align the 3000-sheet tray with the printer, and then attach the mounting post.



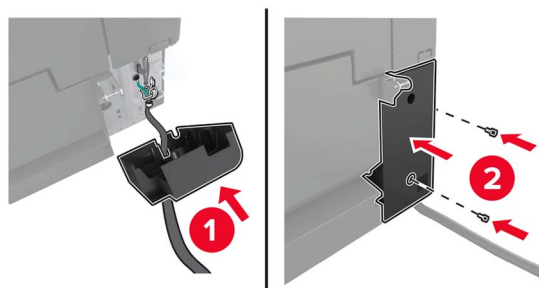
**17** Secure the tray cable with the clamp.



**18** Connect the tray cable to the printer.

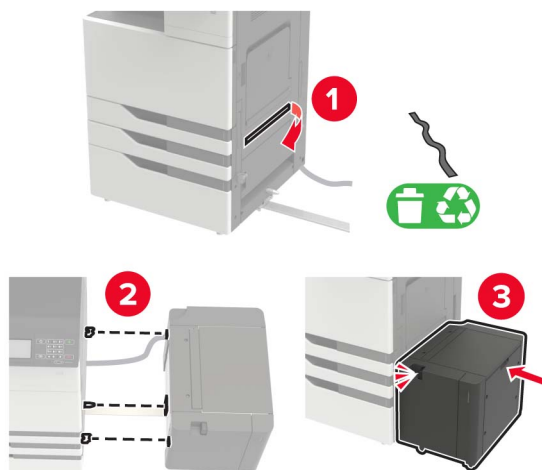


**19** Attach the tray cable cover.

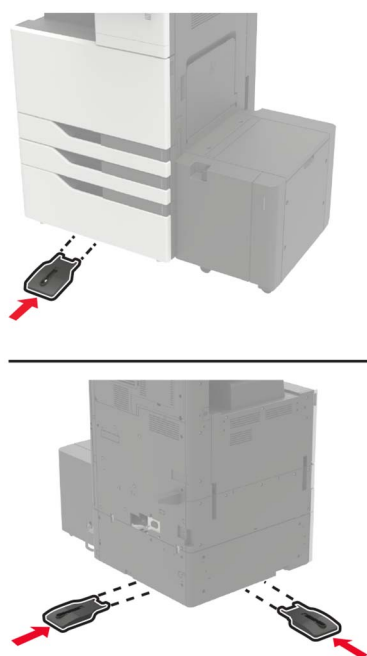




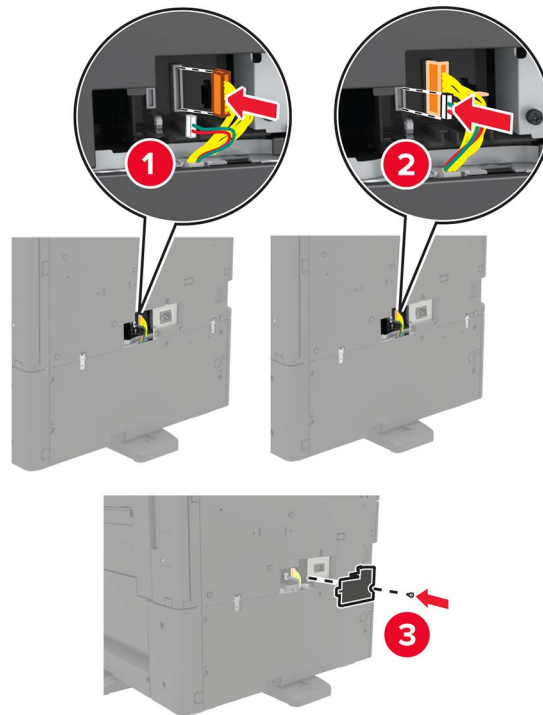
**20** Slide the tray until it *clicks* into place.



**21** Attach the stabilizing feet to the printer.

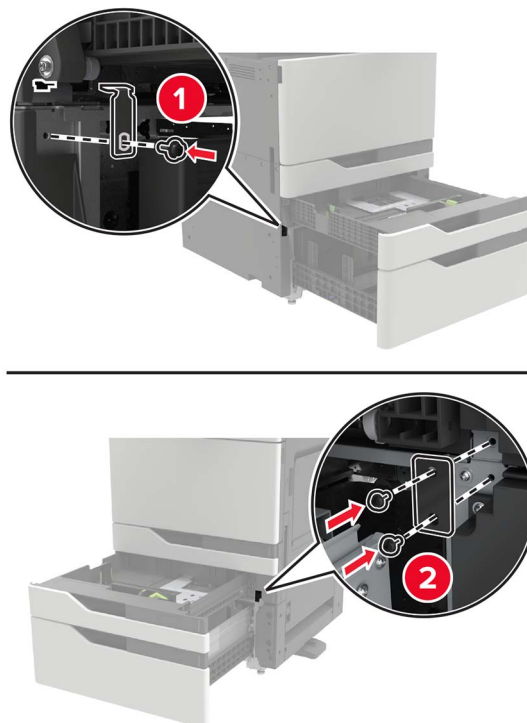


**22** Connect the 2 x 500- or 2500-sheet tray connector to the printer.

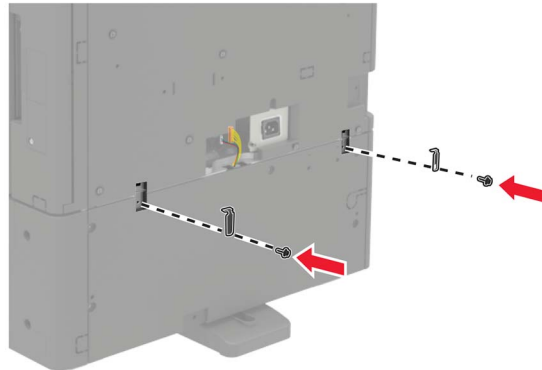


**23** Open trays 2 and 3, and then secure the 2 x 500- or 2500-sheet tray to the printer with the locking clips and metal bracket.

- Front



- Rear



**24** Close the trays.

**25** Connect the power cord to the printer, and then to the electrical outlet.

**⚠ CAUTION—POTENTIAL INJURY:** To avoid the risk of fire or electrical shock, connect the power cord to an appropriately rated and properly grounded electrical outlet that is near the product and easily accessible.

**26** Turn on the printer.

Add the tray in the print driver to make it available for print jobs. For more information, see [“Adding available options in the print driver” on page 228](#).

When installing hardware options, follow this order of installation.

- 3000-sheet tray
- Printer
- Staple finisher

## Installing the staple finisher

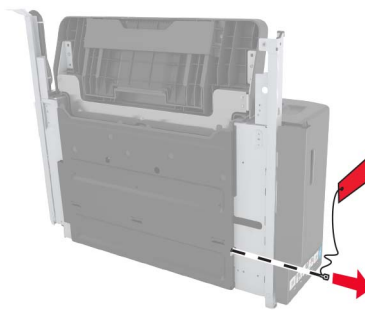
**⚠ CAUTION—TIPPING HAZARD:** Installing one or more options on your printer or MFP may require a caster base, furniture, or other feature to prevent instability causing possible injury. For more information on supported configurations, see [www.lexmark.com/multifunctionprinters](http://www.lexmark.com/multifunctionprinters).

- 1 Turn off the printer.

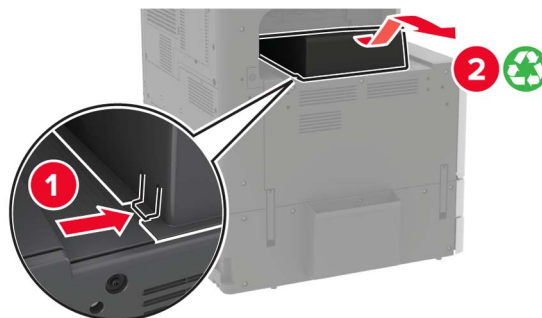


- 2 Unplug the power cord from the electrical outlet, and then from the printer.
- 3 Unpack the staple finisher.

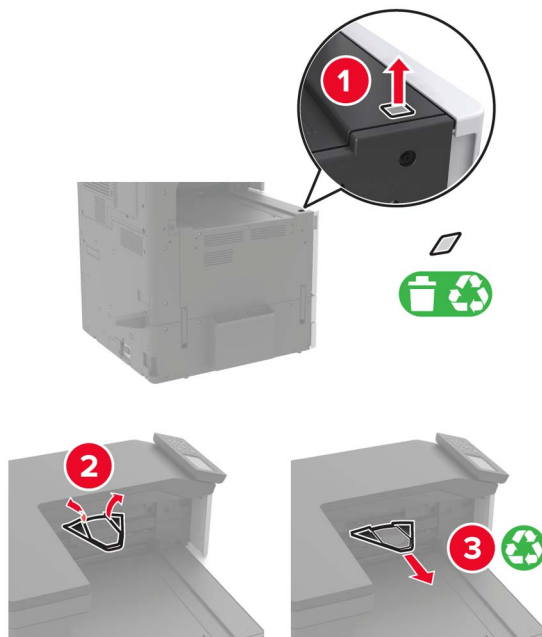
**Note:** Remove the tag but keep the screw for use in [step 11](#).



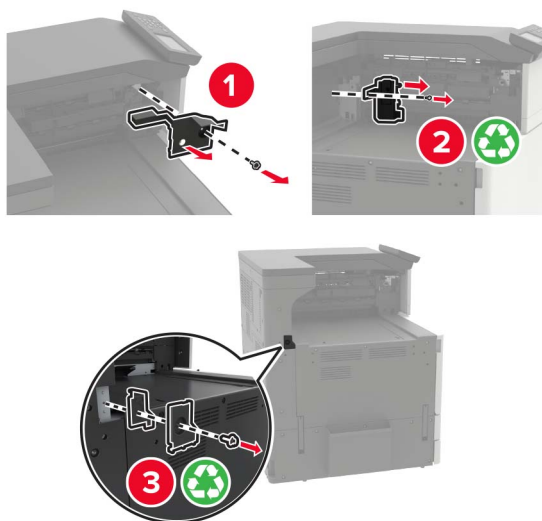
- 4 Remove the standard bin.



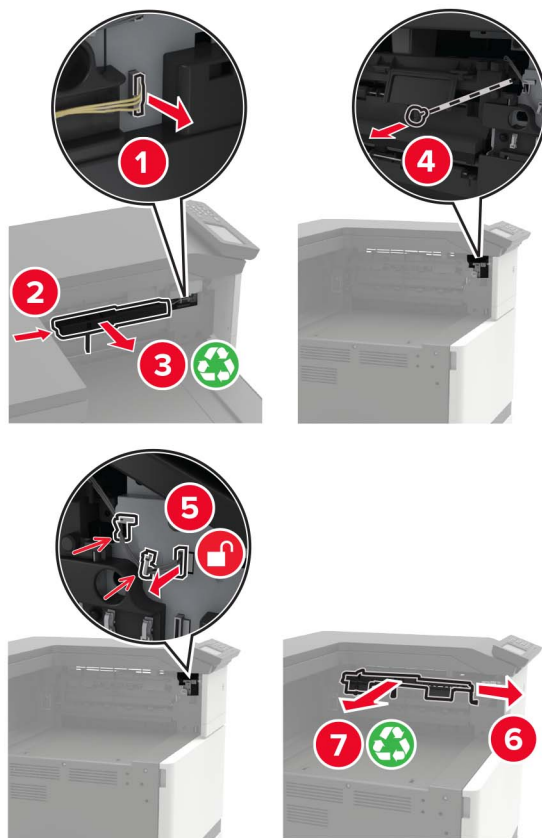
**5** Remove the adhesive cover, and then remove the paper bail.



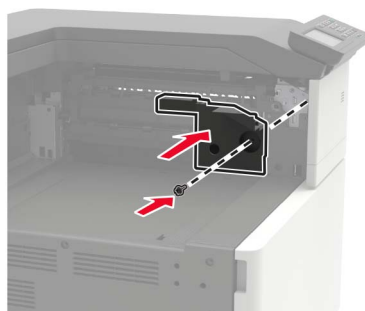
**6** Using the screwdriver stored inside door A, remove the covers for the paper guide sensor and slide rail.

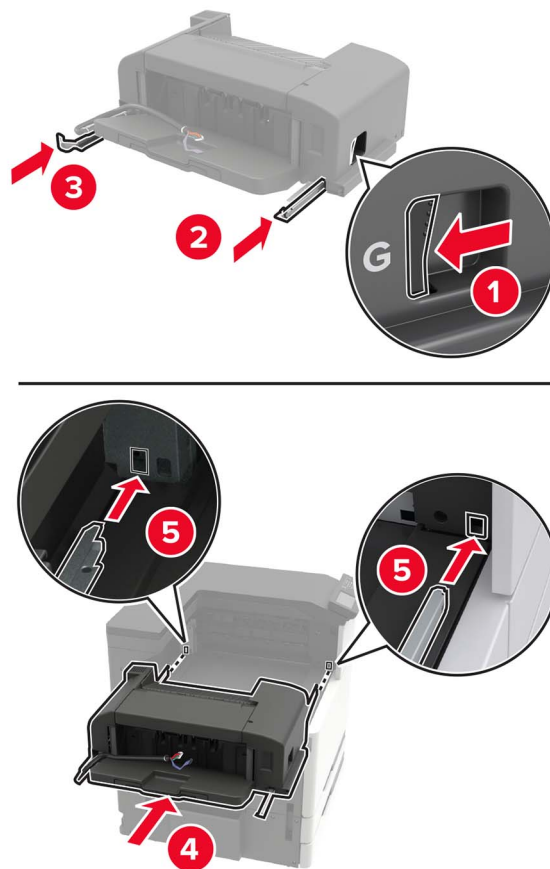


**7** Remove the paper guides.

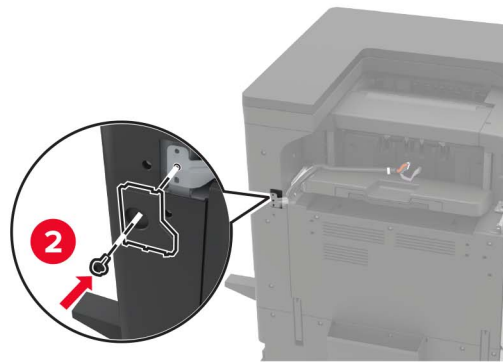
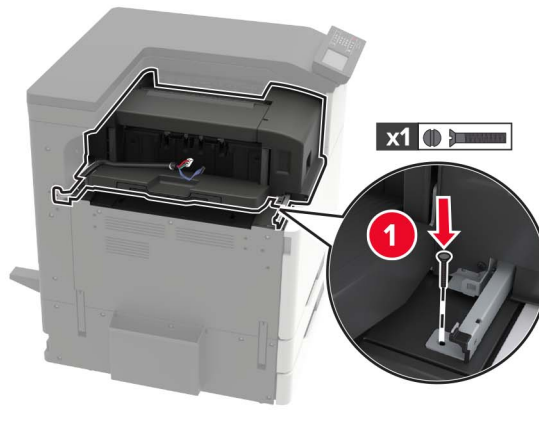


**8** Attach the sensor cover.



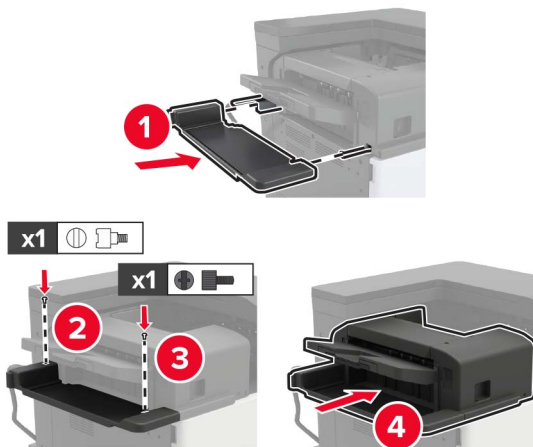
**9** Insert the finisher.**10** Secure the finisher to the printer.

**Note:** Use the screw that came with the finisher.



**11** Attach the finisher slide rail cover.

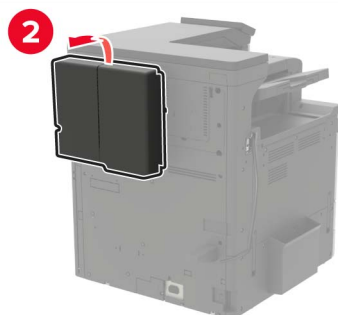
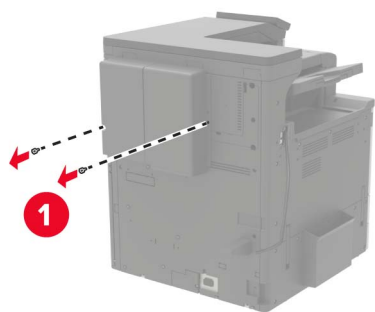
**Note:** Use the screws that came with the finisher.



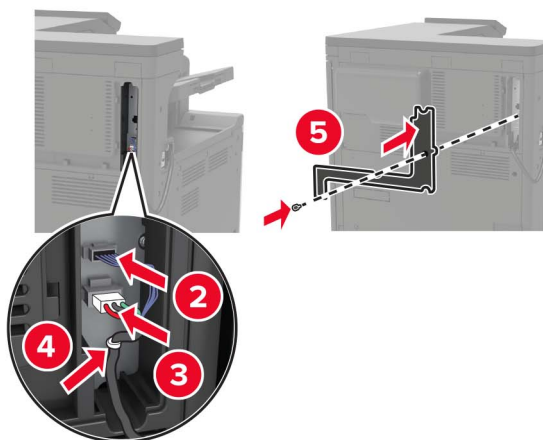
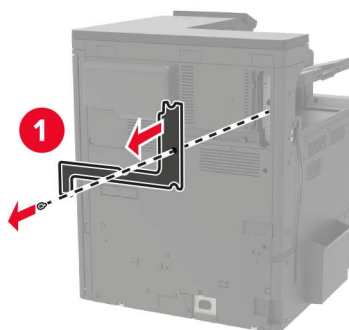
**12** Remove the filter cover.

**Note:** This step is applicable only in some printer models.





**13** Connect the finisher cable to the printer.



**14** Reattach the filter cover.

**Note:** This step is applicable only in some printer models.

**15** Connect the power cord to the printer, and then to the electrical outlet.

**⚠ CAUTION—POTENTIAL INJURY:** To avoid the risk of fire or electrical shock, connect the power cord to an appropriately rated and properly grounded electrical outlet that is near the product and easily accessible.

**⚠ CAUTION—POTENTIAL INJURY:** Do not use this product with extension cords, multioutlet power strips, multioutlet extenders, or UPS devices. The power capacity of these types of accessories can be easily overloaded by a laser printer and may result in a risk of fire, property damage, or poor printer performance.

**16** Turn on the printer.

Add the finisher in the print driver to make it available for print jobs. For more information, see [“Adding available options in the print driver” on page 228](#).

## Installing the staple, hole punch or booklet finisher

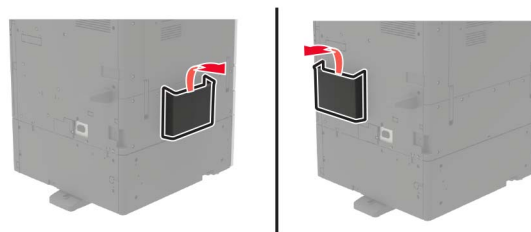
**⚠ CAUTION—TIPPING HAZARD:** Installing one or more options on your printer or MFP may require a caster base, furniture, or other feature to prevent instability causing possible injury. For more information on supported configurations, see [www.lexmark.com/multifunctionprinters](http://www.lexmark.com/multifunctionprinters).

**1** Turn off the printer.



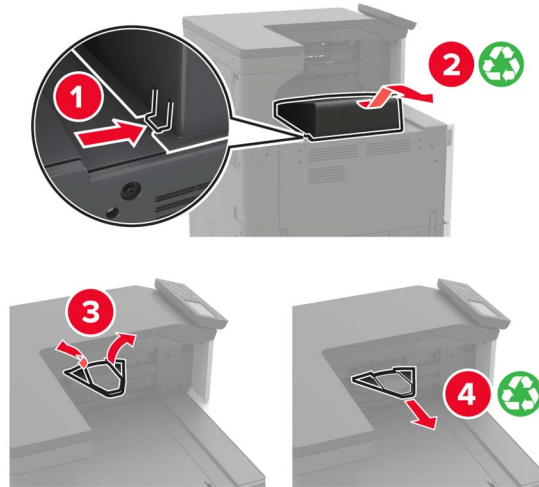
**2** Unplug the power cord from the electrical outlet, and then from the printer.

**3** Remove the publications holder from the side or rear of the printer.

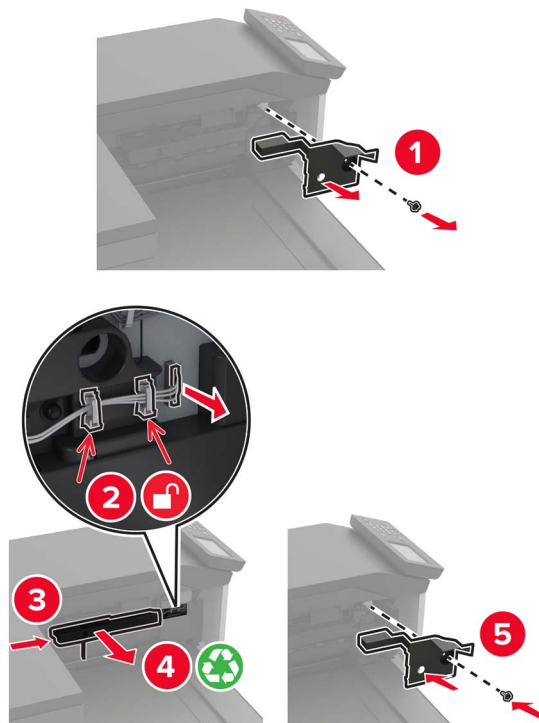


**4** Unpack the staple, hole punch or booklet finisher.

5 Remove the standard bin, and then remove the paper bail.

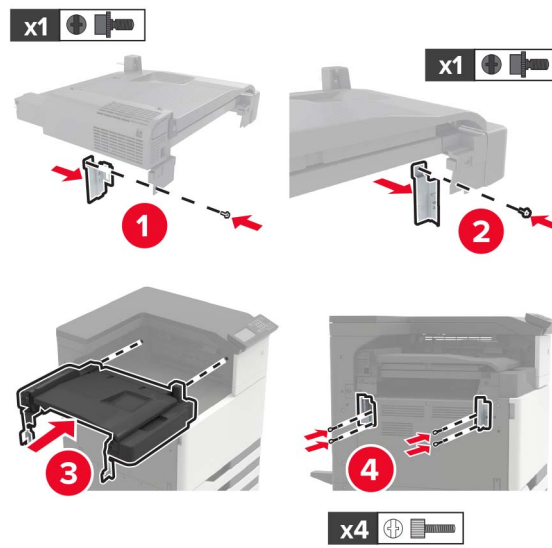


6 Using the screwdriver stored inside door A, remove the paper guides.



7 Insert the paper transport.

**Note:** Use the screws that came with the finisher.



8 Attach the finisher to the printer.

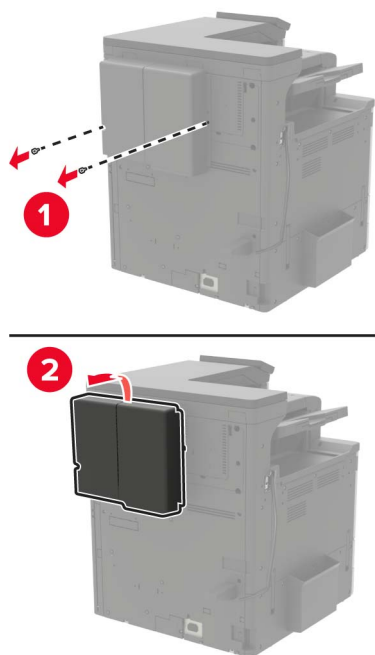


- 9 Insert the staple cartridge into the finisher until it *clicks* into place.

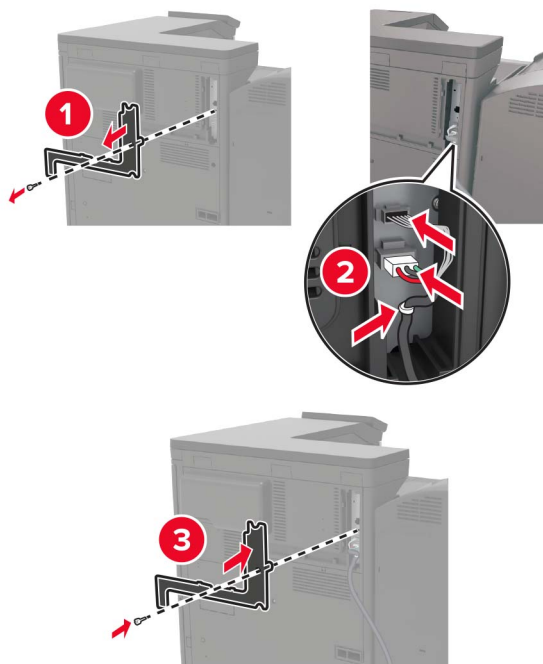


- 10 Remove the filter cover.

**Note:** This step is applicable only in some printer models.

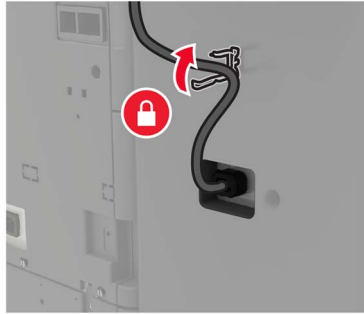


**11** Connect the finisher cable to the printer.

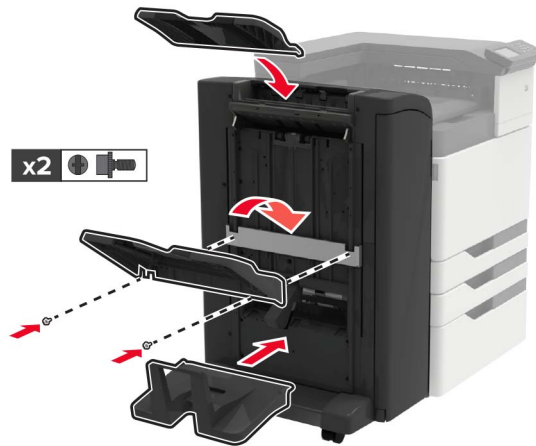
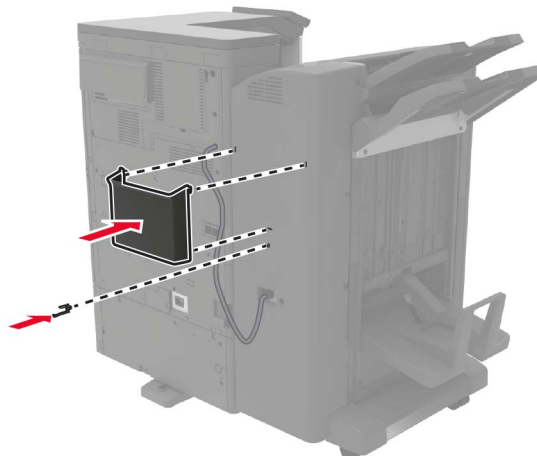


**12** Reattach the filter cover.


**Note:** This step is applicable only in some printer models.


**13** Secure the cable.**14** Insert the bins.**Notes:**

- Use the screws that came with the finisher.
- When inserting bin 2, avoid moving the bracket.
- Bin 3 is supported only in the booklet finisher.

**15** Attach the publications holder, and then attach the clamp.

**16** Connect the power cord to the printer, and then to the electrical outlet.

 **CAUTION—POTENTIAL INJURY:** To avoid the risk of fire or electrical shock, connect the power cord to an appropriately rated and properly grounded electrical outlet that is near the product and easily accessible.

 **CAUTION—POTENTIAL INJURY:** Do not use this product with extension cords, multioutlet power strips, multioutlet extenders, or UPS devices. The power capacity of these types of accessories can be easily overloaded by a laser printer and may result in a risk of fire, property damage, or poor printer performance.

**17** Turn on the printer.

Add the finisher in the print driver to make it available for print jobs. For more information, see [“Adding available options in the print driver” on page 228](#).

## Software

### Installing the printer software

- 1 Obtain a copy of the software installer package.
  - From the software CD that came with your printer.
  - Go to <http://support.lexmark.com>, and then select your printer and operating system.
- 2 Run the installer, and then follow the instructions on the computer screen.
- 3 For Macintosh users, add the printer.

**Note:** Obtain the printer IP address from the home screen.

### Adding available options in the print driver

#### For Windows users

- 1 Open the printers folder.
- 2 Select the printer you want to update, and then do either of the following:
  - For Windows 7 or later, select **Printer properties**.
  - For earlier versions, select **Properties**.
- 3 Navigate to the Configuration tab, and then select **Update Now - Ask Printer**.
- 4 Apply the changes.

#### For Macintosh users

- 1 From System Preferences in the Apple menu, navigate to your printer, and then select **Options & Supplies**.
- 2 Navigate to the list of hardware options, and then add any installed options.
- 3 Apply the changes.



# Firmware

## Exporting or importing a configuration file

You can export the configuration settings of your printer into a text file, and then import the file to apply the settings to other printers.

- 1 Open a web browser, and then type the printer IP address in the address field.

**Notes:**

- View the printer IP address on the printer home screen. The IP address appears as four sets of numbers separated by periods, such as 123.123.123.123.
- If you are using a proxy server, then temporarily disable it to load the web page correctly.

- 2 From the Embedded Web Server, click **Export Configuration** or **Import Configuration**.

- 3 Follow the instructions on the screen.

- 4 If the printer supports applications, then do the following:

- a Click **Apps** > select the application > **Configure**.
- b Click **Export** or **Import**.

## Updating firmware

Some applications require a minimum device firmware level to operate correctly.

For more information on updating the device firmware, contact your Lexmark representative.

- 1 Open a web browser, and then type the printer IP address in the address field.

**Notes:**

- View the printer IP address on the printer home screen. The IP address appears as four sets of numbers separated by periods, such as 123.123.123.123.
- If you are using a proxy server, then temporarily disable it to load the web page correctly.

- 2 Click **Settings** > **Device** > **Update Firmware**.

- 3 Browse to the flash file.

- 4 Click **Upload**.

# Notices

## Product information

Product name:

Lexmark CS921de; Lexmark CS923de; Lexmark CS927de printers

Machine type:

5059

Model(s):

130, 530

## Edition notice

May 2020

**The following paragraph does not apply to any country where such provisions are inconsistent with local law:** LEXMARK INTERNATIONAL, INC., PROVIDES THIS PUBLICATION "AS IS" WITHOUT WARRANTY OF ANY KIND, EITHER EXPRESS OR IMPLIED, INCLUDING, BUT NOT LIMITED TO, THE IMPLIED WARRANTIES OF MERCHANTABILITY OR FITNESS FOR A PARTICULAR PURPOSE. Some states do not allow disclaimer of express or implied warranties in certain transactions; therefore, this statement may not apply to you.

This publication could include technical inaccuracies or typographical errors. Changes are periodically made to the information herein; these changes will be incorporated in later editions. Improvements or changes in the products or the programs described may be made at any time.

References in this publication to products, programs, or services do not imply that the manufacturer intends to make these available in all countries in which it operates. Any reference to a product, program, or service is not intended to state or imply that only that product, program, or service may be used. Any functionally equivalent product, program, or service that does not infringe any existing intellectual property right may be used instead. Evaluation and verification of operation in conjunction with other products, programs, or services, except those expressly designated by the manufacturer, are the user's responsibility.

For Lexmark technical support, go to <http://support.lexmark.com>.

For information on Lexmark's privacy policy governing the use of this product, go to [www.lexmark.com/privacy](http://www.lexmark.com/privacy).

For information on supplies and downloads, go to [www.lexmark.com](http://www.lexmark.com).

© 2017 Lexmark International, Inc.

All rights reserved.

## GOVERNMENT END USERS

The Software Program and any related documentation are "Commercial Items," as that term is defined in 48 C.F.R. 2.101, "Computer Software" and "Commercial Computer Software Documentation," as such terms are used in 48 C.F.R. 12.212 or 48 C.F.R. 227.7202, as applicable. Consistent with 48 C.F.R. 12.212 or 48 C.F.R. 227.7202-1 through 227.7207-4, as applicable, the Commercial Computer Software and Commercial Software

Documentation are licensed to the U.S. Government end users (a) only as Commercial Items and (b) with only those rights as are granted to all other end users pursuant to the terms and conditions herein.

## Trademarks

Lexmark and the Lexmark logo are trademarks or registered trademarks of Lexmark International, Inc. in the United States and/or other countries.

Google Cloud Print, Google Chrome, Android, and Google Play are trademarks of Google LLC.

Macintosh, App Store, Safari, and AirPrint are trademarks of Apple Inc., registered in the U.S. and other countries. Use of the Works with Apple badge means that an accessory has been designed to work specifically with the technology identified in the badge and has been certified by the developer to meet Apple performance standards.

The Mopria® word mark is a registered and/or unregistered trademark of Mopria Alliance, Inc. in the United States and other countries. Unauthorized use is strictly prohibited.

PCL® is a registered trademark of the Hewlett-Packard Company. PCL is Hewlett-Packard Company’s designation of a set of printer commands (language) and functions included in its printer products. This printer is intended to be compatible with the PCL language. This means the printer recognizes PCL commands used in various application programs, and that the printer emulates the functions corresponding to the commands.

PostScript is a registered trademark of Adobe Systems Incorporated in the United States and/or other countries.

Wi-Fi® and Wi-Fi Direct® are registered trademarks of Wi-Fi Alliance®.

All other trademarks are the property of their respective owners.

## Licensing notices

All licensing notices associated with this product can be viewed from the CD:\NOTICES directory of the installation software CD.

## Noise emission levels

The following measurements were made in accordance with ISO 7779 and reported in conformance with ISO 9296.

**Note:** Some modes may not apply to your product.

1-meter average sound pressure, dBA	
Printing	One-sided: 51 (CS921, CS927); 53 (CS923) Two-sided: 53 (CS921, CS927); 54 (CS923)
Scanning	N/A
Copying	N/A
Ready	25 (CS921, CS927); 26 (CS923)

Values are subject to change. See [www.lexmark.com](http://www.lexmark.com) for current values.

## Waste from Electrical and Electronic Equipment (WEEE) directive



The WEEE logo signifies specific recycling programs and procedures for electronic products in countries of the European Union. We encourage the recycling of our products.

If you have further questions about recycling options, visit the Lexmark Web site at [www.lexmark.com](http://www.lexmark.com) for your local sales office phone number.

## India E-Waste notice



This product complies with the India E-Waste (Management and Handling) Rules, 2011, which prohibit use of lead, mercury, hexavalent chromium, polybrominated biphenyls, or polybrominated diphenyl ethers in concentrations exceeding 0.1% by weight and 0.01% by weight for cadmium, except for the exemption set in Schedule II of the Rules.

## Product disposal

Do not dispose of the printer or supplies in the same manner as normal household waste. Consult your local authorities for disposal and recycling options.

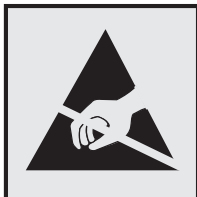
## Returning Lexmark cartridges for reuse or recycling

The Lexmark Cartridge Collection Program allows you to return used cartridges for free to Lexmark for reuse or recycling. One hundred percent of the empty cartridges returned to Lexmark are either reused or demanufactured for recycling. The boxes used to return the cartridges are also recycled.

To return Lexmark cartridges for reuse or recycling, do the following:

- 1 Go to [www.lexmark.com/recycle](http://www.lexmark.com/recycle).
- 2 Select the product that you want to recycle.

### Static sensitivity notice



This symbol identifies static-sensitive parts. Do not touch the areas near these symbols without first touching a metal surface in an area away from the symbol.

To prevent damage from electrostatic discharge when performing maintenance tasks such as clearing paper jams or replacing supplies, touch any exposed metal frame of the printer before accessing or touching interior areas of the printer even if the symbol is not present.

### ENERGY STAR

Any Lexmark product bearing the ENERGY STAR® emblem on the product or on a start-up screen is certified to comply with Environmental Protection Agency (EPA) ENERGY STAR requirements as of the date of manufacture.



### Temperature information

Ambient operating temperature	10 to 30°C (50 to 86°F)
Shipping temperature	-10 to 40°C (14 to 104°F)
Storage temperature and relative humidity	-10 to 40°C (14 to 104°F) 15 to 85% RH

### Laser notice

The printer is certified in the U.S. to conform to the requirements of DHHS 21 CFR, Chapter I, Subchapter J for Class I (1) laser products, and elsewhere is certified as a Class I laser product conforming to the requirements of IEC 60825-1: 2014.

Class I laser products are not considered to be hazardous. The laser system and printer are designed so there is never any human access to laser radiation above a Class I level during normal operation, user maintenance, or prescribed service conditions. The printer has a non-serviceable printhead assembly that contains a laser with the following specifications:

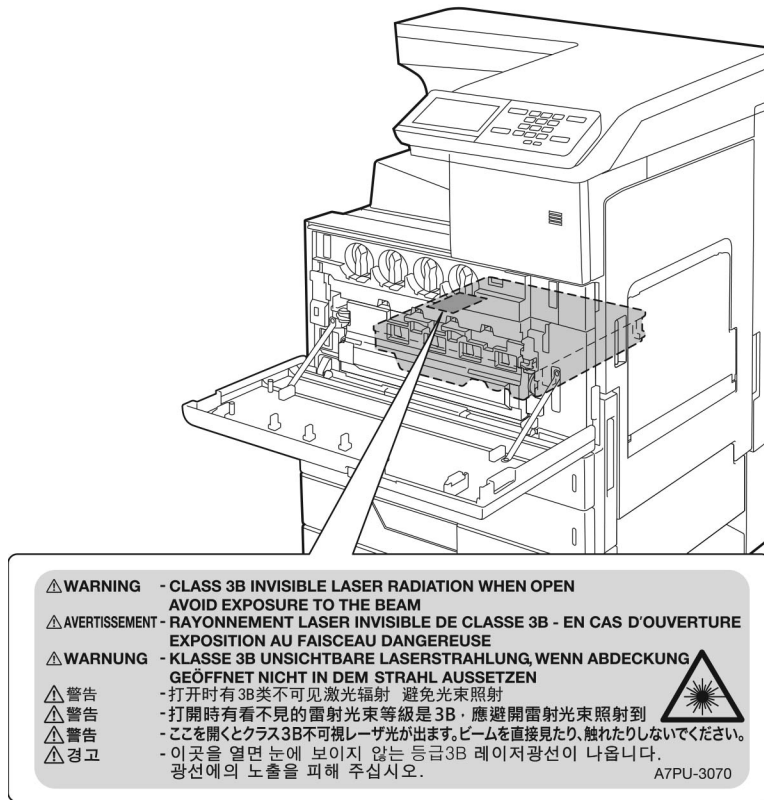
Class IIIb (3b) AlGaAs

Nominal output power (milliwatts): 25

Wavelength (nanometers): 770–800, 775–800

## Laser advisory label

The following laser notice label is affixed to the printer:



## Power consumption

### Product power consumption

The following table documents the power consumption characteristics of the product.

**Note:** Some modes may not apply to your product.

Mode	Description	Power consumption (Watts)
Printing	The product is generating hard-copy output from electronic inputs.	One-sided: 575 (CS921, CS927); 1050 (CS923) Two-sided: 650 (CS921, CS927); 1000 (CS923)
Copy	The product is generating hard-copy output from hard-copy original documents.	N/A
Scan	The product is scanning hard-copy documents.	N/A

Mode	Description	Power consumption (Watts)
Ready	The product is waiting for a print job.	140 (CS921, CS927); 200 (CS923)
Sleep Mode	The product is in a high-level energy-saving mode.	1.02 (CS921, CS927); 2.11 (CS923)
Hibernate	The product is in a low-level energy-saving mode.	0.2
Off	The product is plugged into an electrical outlet, but the power switch is turned off.	0

The power consumption levels listed in the previous table represent time-averaged measurements. Instantaneous power draws may be substantially higher than the average.

Values are subject to change. See [www.lexmark.com](http://www.lexmark.com) for current values.

### Sleep Mode

This product is designed with an energy-saving mode called *Sleep Mode*. The Sleep Mode saves energy by lowering power consumption during extended periods of inactivity. The Sleep Mode is automatically engaged after this product is not used for a specified period of time, called the *Sleep Mode Timeout*.

Factory default Sleep Mode Timeout for this product (in minutes):	15
---	----

By using the configuration menus, the Sleep Mode Timeout can be modified between 1 minute and 120 minutes. If the print speed is less than or equal to 30 pages per minute, then you can set the timeout only up to 60 minutes. Setting the Sleep Mode Timeout to a low value reduces energy consumption, but may increase the response time of the product. Setting the Sleep Mode Timeout to a high value maintains a fast response, but uses more energy.

### Hibernate Mode

This product is designed with an ultra-low power operating mode called *Hibernate mode*. When operating in Hibernate Mode, all other systems and devices are powered down safely.

The Hibernate mode can be entered in any of the following methods:

- Using the Hibernate Timeout
- Using the Schedule Power modes

Factory default Hibernate Timeout for this product in all countries or regions	3 days
--	--------

The amount of time the printer waits after a job is printed before it enters Hibernate mode can be modified between one hour and one month.

### Off mode

If this product has an off mode which still consumes a small amount of power, then to completely stop product power consumption, disconnect the power supply cord from the electrical outlet.

### Total energy usage

It is sometimes helpful to estimate the total product energy usage. Since power consumption claims are provided in power units of Watts, the power consumption should be multiplied by the time the product spends

in each mode in order to calculate energy usage. The total product energy usage is the sum of each mode's energy usage.

## **Federal Communications Commission (FCC) compliance information statement**

This product has been tested and found to comply with the limits for a Class A digital device, pursuant to Part 15 of the FCC Rules. Operation is subject to the following two conditions: (1) this device may not cause harmful interference, and (2) this device must accept any interference received, including interference that may cause undesired operation.

The FCC Class A limits are designed to provide reasonable protection against harmful interference when the equipment is operated in a commercial environment. This equipment generates, uses, and can radiate radio frequency energy and, if not installed and used in accordance with the instruction manual, may cause harmful interference to radio communications. Operation of this equipment in a residential area is likely to cause harmful interference, in which case the user will be required to correct the interference at his own expense.

The manufacturer is not responsible for any radio or television interference caused by using other than recommended cables or by unauthorized changes or modifications to this equipment. Unauthorized changes or modifications could void the user's authority to operate this equipment.

**Note:** To assure compliance with FCC regulations on electromagnetic interference for a Class A computing device, use a properly shielded and grounded cable such as Lexmark part number 1021231 for parallel attach or 1021294 for USB attach. Use of a substitute cable not properly shielded and grounded may result in a violation of FCC regulations.

Any questions regarding this compliance information statement should be directed to:

Director of Lexmark Technology & Services  
Lexmark International, Inc.  
740 West New Circle Road  
Lexington, KY 40550  
Telephone: (859) 232-2000  
E-mail: [regulatory@lexmark.com](mailto:regulatory@lexmark.com)

## **Industry Canada compliance statement**

This Class A digital apparatus meets all requirements of the Canadian Interference-Causing Equipment Standard ICES-003.

## **Avis de conformité aux normes de l'industrie du Canada**

Cet appareil numérique de classe A est conforme aux exigences de la norme canadienne relative aux équipements pouvant causer des interférences NMB-003.

## **European Community (EC) directives conformity**

This product is in conformity with the protection requirements of EC Council directives 2014/30/EU, 2014/35/EU, and 2011/65/EU on the approximation and harmonization of the laws of the Member States relating to electromagnetic compatibility, safety of electrical equipment designed for use within certain voltage limits, and on the restrictions of use of certain hazardous substances in electrical and electronic equipment.



The manufacturer of this product is: Lexmark International, Inc., 740 West New Circle Road, Lexington, KY, 40550 USA. The authorized representative is: Lexmark International Technology Hungária Kft., 8 Lechner Ödön fasor, Millennium Tower III, 1095 Budapest HUNGARY. A declaration of conformity to the requirements of the Directives is available upon request from the Authorized Representative or may be obtained at [www.lexmark.com/en\\_us/about/regulatory-compliance/european-union-declaration-of-conformity.html](http://www.lexmark.com/en_us/about/regulatory-compliance/european-union-declaration-of-conformity.html).

This product satisfies the Class A limits of EN 55022 and EN55032 and safety requirements of EN 60950-1 or EN 62368-1.

## Japanese VCCI notice

製品にこのラベルが表示されている場合、  
次の要件を満たしています。

この装置は、クラス A 情報技術装置です。この装置を家庭環境で使用すると電波妨害を引き起こすことがあります。この場合には使用者が適切な対策を講ずるよう要求されることがあります。 VCCI-A

この装置は、クラスA情報技術装置です。この装置を家庭環境で使用すると電波妨害を引き起こすことがあります。この場合には使用者が適切な対策を講ずるよう要求されることがあります。 VCCI-A

## Notice to users of Class A products in Brazil

Este produto não é apropriado para uso em ambientes domésticos, pois poderá causar interferências eletromagnéticas que obrigam o usuário a tomar medidas necessárias para minimizar estas interferências.

## Radio interference notice

### Warning

This is a product that complies with the emission requirements of EN55022 and EN55032 Class A limits and immunity requirements of EN55024. This product is not intended to be used in residential/domestic environments.

This is a Class A product. In a domestic environment, this product may cause radio interference, in which case the user may be required to take adequate measures.

## STATEMENT OF LIMITED WARRANTY FOR LEXMARK LASER PRINTERS, LEXMARK LED PRINTERS, AND LEXMARK MULTIFUNCTION LASER PRINTERS

### Lexmark International, Inc., Lexington, KY

This limited warranty applies to the United States and Canada. For customers outside the U.S., refer to the country-specific warranty information that came with your product.

This limited warranty applies to this product only if it was originally purchased for your use, and not for resale, from Lexmark or a Lexmark Remarketer, referred to in this statement as “Remarketer.”

### **Limited warranty**

Lexmark warrants that this product:

—Is manufactured from new parts, or new and serviceable used parts, which perform like new parts

—Is, during normal use, free from defects in material and workmanship

If this product does not function as warranted during the warranty period, contact a Remarketer or Lexmark for repair or replacement (at Lexmark's option).

If this product is a feature or option, this statement applies only when that feature or option is used with the product for which it was intended. To obtain warranty service, you may be required to present the feature or option with the product.

If you transfer this product to another user, warranty service under the terms of this statement is available to that user for the remainder of the warranty period. You should transfer proof of original purchase and this statement to that user.

### **Limited warranty service**

The warranty period starts on the date of original purchase as shown on the purchase receipt and ends 12 months later provided that the warranty period for any supplies and for any maintenance items included with the printer shall end earlier if it, or its original contents, are substantially used up, depleted, or consumed. Fuser Units, Transfer/Transport Units, Paper Feed items, if any, and any other items for which a Maintenance Kit is available are substantially consumed when the printer displays a “Life Warning” or “Scheduled Maintenance” message for such item.

To obtain warranty service you may be required to present proof of original purchase. You may be required to deliver your product to the Remarketer or Lexmark, or ship it prepaid and suitably packaged to a Lexmark designated location. You are responsible for loss of, or damage to, a product in transit to the Remarketer or the Lexmark designated location.

When warranty service involves the exchange of a product or part, the item replaced becomes the property of the Remarketer or Lexmark. The replacement may be a new or repaired item.

The replacement item assumes the remaining warranty period of the original product.

Replacement is not available to you if the product you present for exchange is defaced, altered, in need of a repair not included in warranty service, damaged beyond repair, or if the product is not free of all legal obligations, restrictions, liens, and encumbrances.

As part of your warranty service and/or replacement, Lexmark may update the firmware in your printer to the latest version. Firmware updates may modify printer settings and cause counterfeit and/or unauthorized products, supplies, parts, materials (such as toners and inks), software, or interfaces to stop working. Authorized use of genuine Lexmark products will not be impacted.

Before you present this product for warranty service, remove all print cartridges, programs, data, and removable storage media (unless directed otherwise by Lexmark).

For further explanation of your warranty alternatives and the nearest Lexmark authorized servicer in your area contact Lexmark on the World Wide Web.

Remote technical support is provided for this product throughout its warranty period. For products no longer covered by a Lexmark warranty, technical support may not be available or only be available for a fee.

### Extent of limited warranty

Lexmark does not warrant uninterrupted or error-free operation of any product or the durability or longevity of prints produced by any product.

Warranty service does not include repair of failures caused by:

- Modification or unauthorized attachments
- Accidents, misuse, abuse or use inconsistent with Lexmark user's guides, manuals, instructions or guidance
- Unsuitable physical or operating environment
- Maintenance by anyone other than Lexmark or a Lexmark authorized servicer
- Operation of a product beyond the limit of its duty cycle
- Use of printing media outside of Lexmark specifications
- Refurbishment, repair, refilling or remanufacture by a third party of products, supplies or parts
- Products, supplies, parts, materials (such as toners and inks), software, or interfaces not furnished by Lexmark

**TO THE EXTENT PERMITTED BY APPLICABLE LAW, NEITHER LEXMARK NOR ITS THIRD PARTY SUPPLIERS OR REMARKETERS MAKE ANY OTHER WARRANTY OR CONDITION OF ANY KIND, WHETHER EXPRESS OR IMPLIED, WITH RESPECT TO THIS PRODUCT, AND SPECIFICALLY DISCLAIM THE IMPLIED WARRANTIES OR CONDITIONS OF MERCHANTABILITY, FITNESS FOR A PARTICULAR PURPOSE, AND SATISFACTORY QUALITY. ANY WARRANTIES THAT MAY NOT BE DISCLAIMED UNDER APPLICABLE LAW ARE LIMITED IN DURATION TO THE WARRANTY PERIOD. NO WARRANTIES, EXPRESS OR IMPLIED, WILL APPLY AFTER THIS PERIOD. ALL INFORMATION, SPECIFICATIONS, PRICES, AND SERVICES ARE SUBJECT TO CHANGE AT ANY TIME WITHOUT NOTICE.**

### Limitation of liability

Your sole remedy under this limited warranty is set forth in this document. For any claim concerning performance or nonperformance of Lexmark or a Remarketer for this product under this limited warranty, you may recover actual damages up to the limit set forth in the following paragraph.

Lexmark's liability for actual damages from any cause whatsoever will be limited to the amount you paid for the product that caused the damages. This limitation of liability will not apply to claims by you for bodily injury or damage to real property or tangible personal property for which Lexmark is legally liable. **IN NO EVENT WILL LEXMARK BE LIABLE FOR ANY LOST PROFITS, LOST SAVINGS, INCIDENTAL DAMAGE, OR OTHER ECONOMIC OR CONSEQUENTIAL DAMAGES.** This is true even if you advise Lexmark or a Remarketer of the possibility of such damages. Lexmark is not liable for any claim by you based on a third party claim.

This limitation of remedies also applies to claims against any Suppliers and Remarketers of Lexmark. Lexmark's and its Suppliers' and Remarketers' limitations of remedies are not cumulative. Such Suppliers and Remarketers are intended beneficiaries of this limitation.

### Additional rights

Some states do not allow limitations on how long an implied warranty lasts, or do not allow the exclusion or limitation of incidental or consequential damages, so the limitations or exclusions contained above may not apply to you.

This limited warranty gives you specific legal rights. You may also have other rights that vary from state to state.

# Index

## Numerics

- 2500-sheet tray
  - loading 28
- 3000-sheet tray
  - loading 30
- 900.xy error 151

## A

- activating Voice Guidance 22
- adding contacts 20
- adding groups 20
- adding hardware options
  - print driver 228
- adding internal options
  - print driver 228
- adjusting default volume
  - headphone 23
  - speaker 22
- adjusting speech rate
  - Voice Guidance 22
- adjusting the brightness
  - printer display 128
- adjusting the brightness of the printer display 128
- adjusting toner darkness 181
- AirPrint
  - using 41
- Android device
  - printing from 40
- attaching cables 14
- available internal options 185
- avoiding paper jams 130

## B

- basic printer configuration 12
- black developer maintenance kit
  - ordering parts 103
- blank pages 161
- bookmarks
  - creating 19
  - creating folders for 19

## C

- cables
  - Ethernet 14
  - USB 14

- canceling a print job
  - from the computer 45
  - from the printer control panel 45
- cannot open Embedded Web Server 150
- card stock
  - loading 32
- changing the printer port settings after installing ISP 97
- changing the wallpaper 18
- Check tray connection 155
- checking the printer connectivity 151
- checking the status of parts and supplies 102
- cleaning
  - exterior of the printer 98
  - interior of the printer 98
- cleaning the printer 98
- cleaning the printhead lens 99
- CMY developer kit
  - ordering parts 103
- collated printing does not work 154
- color correction 181
- color quality, troubleshooting
  - print appears tinted 183
- confidential print jobs 43
  - printing from a Macintosh computer 44
  - printing from Windows 44
- configuring Eco-Mode setting 19
- configuring Eco-Settings 19
- configuring supply notifications 104
- connecting a mobile device to the printer wireless network 96
- connecting the printer to a wireless network 95
- connecting to a wireless network
  - using PIN method 96
  - using Push Button method 96
- conserving supplies 128
- contacting customer support 184
- contacts
  - adding 20

- deleting 21
- editing 20
- control panel
  - using 15
- creating bookmarks 19
- creating folders
  - for bookmarks 19
- customer support
  - contacting 184
- customizing the display 18

## D

- deactivating the Wi-Fi network 97
- default headphone volume
  - adjusting 23
- default speaker volume
  - adjusting 22
- Defective flash detected 152
- deleting contacts 21
- deleting groups 21
- directory list
  - printing 45
- Display Customization
  - using 18
- documents, printing
  - from a computer 40
  - from a mobile device 40

## E

- Eco-Settings
  - configuring 19
- editing contacts 20
- editing groups 20
- emission notices 231, 236, 237
- emptying the hole punch box 100
- enabling Magnification mode 22
- enabling personal identification numbers 23
- enabling spoken passwords 23
- enabling the USB port 151
- enabling Wi-Fi Direct 96
- encrypting
  - printer hard disk 93
- envelopes
  - loading 32
- environmental settings 128

- erasing
  - printer memory 92
- erasing hard disk memory 92
- erasing printer memory 93
- Ethernet port 14
- exporting a configuration file
  - using the Embedded Web Server 229

## F

- factory default settings
  - restoring 93
- FAQ about color printing 182
- finding more information about the printer 10
- firmware card 185
- firmware, updating 229
- flash drive
  - printing from 42
- font sample list
  - printing 45
- fully configured printer 12
- fuser maintenance kit
  - ordering parts 103

## G

- genuine Lexmark parts and supplies 102
- Google Cloud Print
  - using 40
- groups
  - adding 20
  - deleting 21
  - editing 20

## H

- hard disk
  - installing 188
- hard disk memory
  - erasing 92
- hardware options
  - installing 199, 204, 216, 222
- hardware options, adding
  - print driver 228
- HCF rollers maintenance kit
  - ordering parts 103
- held jobs 43
  - printing from a Macintosh computer 44
  - printing from Windows 44

- Hibernate mode
  - configuring 128
- hole punch box
  - emptying 100
- home screen
  - customizing 18
  - using 16
- home screen icons 16
  - displaying 18

## I

- icons on the home screen
  - showing 18
- identifying jam locations 131
- importing a configuration file
  - using the Embedded Web Server 229
- indicator light
  - understanding the status 16
- installing
  - hard disk 188
  - wireless print server 195
- installing 2 x 500- or 2500-sheet tray 199
- installing a printer hard disk 188
- installing options
  - memory card 185
  - optional card 192
- installing the 3000-sheet tray 204
- installing the printer software 228
- installing the staple finisher 216
- installing the staple, hole punch or booklet finisher 222
- internal option is not detected 152
- internal options
  - firmware card 185
  - memory card 185
- internal options, adding
  - print driver 228

## J

- jam, clearing
  - 2 x 500-sheet tray 132
  - 3000-sheet tray 137
  - booklet finisher 138, 148
  - duplex unit 132
  - fuser 132
  - multipurpose feeder 132

- optional tray 136
- staple finisher 142, 144
- staple, hole punch finisher 146

jams

- avoiding 130

## K

- keyboard on the display
  - using 24

## L

- Lexmark Mobile Print
  - using 40
- linking trays 33
- loading
  - card stock 32
  - transparencies 32
  - trays 25
- loading envelopes
  - multipurpose feeder 32
- loading paper
  - multipurpose feeder 32
- loading specialty media
  - multipurpose feeder 32
- loading the 2500-sheet tray 28
- loading the 3000-sheet tray 30
- loading trays 25
- locating jam areas 131
- locating the security slot 92

## M

- Magnification mode
  - enabling 22
- maintenance kit
  - ordering 103
- managing screen saver 18
- manual color correction 181
- memory card 185
  - installing 185
- menu
  - 802.1x 79
  - About this Printer 56
  - Accessibility 52
  - Bin Configuration 68
  - Confidential Print Setup 87
  - Configuration Menu 53
  - Device 90
  - Disk Encryption 88
  - Eco-Mode 48
  - Erase Temporary Data Files 89
  - Ethernet 75

- Finishing 58
- Flash Drive Print 69
- Google Cloud Print 82
- Help 91
- HTML 66
- HTTP/FTP Settings 80
- Image 66
- Information Sent to Lexmark 51
- IPSec 78
- Job Accounting 62
- Layout 57
- Local Accounts 84
- Login Restrictions 87
- LPD Configuration 80
- Manage Permissions 83
- Media Types 68
- Menu Settings Page 90
- Miscellaneous 89
- Network 90
- Network Overview 71
- Notifications 48
- Out of Service Erase 56
- PCL 64
- PDF 63
- PostScript 63
- Power Management 51
- Preferences 47
- Print 90
- Quality 60
- Remote Operator Panel 48
- Restore Factory Defaults 53
- Restrict external network access 82
- Schedule USB Devices 84
- Security Audit Log 85
- Setup 59
- SNMP 77
- Solutions LDAP Settings 89
- TCP/IP 76
- Tray Configuration 67
- Troubleshooting 91
- Universal Setup 67
- USB 81
- Visible Home Screen Icons 56
- Wi-Fi Direct 82
- XPS 63
- menu map 46
- Menu Settings Page printing 17
- menus
  - Wireless 72

- mobile device
  - printing from 40, 41
- modifying color output 181
- Mopria Print Service 40
- moving the printer 11, 127
- multipurpose feeder
  - loading 32

**N**

- navigating the screen
  - using gestures 23
- navigating the screen using gestures 23
- noise emission levels 231
- nonvolatile memory
  - erasing 92
- Non-Lexmark supply 153
- non-volatile memory 93
- Not enough free space in flash memory for resources 153
- notices 231, 232, 233, 234, 235, 236, 237

**O**

- optional card
  - installing 192
- optional tray
  - installing 199, 204
- ordering
  - photoconductor unit 103
- ordering supplies
  - staple cartridges 103
  - toner cartridges 102
  - waste toner bottle 103

**P**

- paper
  - Universal size setting 25
- paper jam in door C 132
- paper jam in door D 136
- paper jam in the 3000-sheet tray 137
- paper jam in the booklet finisher 138
- paper jam in the multipurpose feeder 132
- paper jam in the staple finisher 142
- paper jam, clearing
  - 2 x 500-sheet tray 132
  - 3000-sheet tray 137

- booklet finisher 138
- duplex unit 132
- fuser 132
- multipurpose feeder 132
- optional tray 136
- staple finisher 142
- paper jams
  - avoiding 130
  - location 131
- paper size
  - setting 25
- paper sizes
  - supported 34
- paper type
  - setting 25
- paper types
  - supported 37
- parts status
  - checking 102
- personal identification number method 96
- personal identification numbers
  - enabling 23
- photoconductor unit
  - ordering 103
  - replacing 108
- power button light
  - understanding the status 16
- power cord socket 14
- power save modes
  - configuring 128
- print appears tinted 183
- print driver
  - hardware options, adding 228
- print job
  - canceling from the computer 45
  - canceling from the printer control panel 45
- print jobs not printed 160
- Print Quality Test Pages 91
- print quality troubleshooting
  - blank pages 161
  - crooked print 171
  - dark print 162
  - ghost images on prints 163
  - gray or colored
    - background 164
  - horizontal dark lines 175
  - horizontal white lines 176
  - light print 166
  - missing colors 168

- mottled print and dots 169
- paper curl 170
- repeating defects 178
- skewed print 171
- solid color or black images 172
- text or images cut off 172
- toner easily rubs off 173
- uneven print density 174
- vertical white lines 177
- white pages 161
- print troubleshooting
  - collated printing does not work 154
  - confidential and other held documents do not print 157
  - envelope seals when printing 154
  - incorrect margins 165
  - jammed pages are not reprinted 157
  - job prints from the wrong tray 180
  - job prints on the wrong paper 180
  - paper frequently jams 156
  - print jobs do not print 160
  - slow printing 158
  - tray linking does not work 155
  - unable to read flash drive 151
- printer
  - minimum clearances 11
  - selecting a location 11
  - shipping 128
- printer configurations 12
- printer display
  - adjusting the brightness 128
- printer hard disk
  - encrypting 93
- printer hard disk memory 93
- printer information
  - finding 10
- printer is not responding 179
- printer memory
  - erasing 92
- printer menus 46
- printer messages
  - Check tray connection 155
  - Defective flash detected 152
  - Non-Lexmark supply 153
  - Not enough free space in flash memory for resources 153
  - Unformatted flash detected 153

- printer options troubleshooting
  - cannot detect internal option 152
- printer port settings
  - changing 97
- printer settings
  - restoring factory default 93
- printer software
  - installing 228
- printer status 16
- printer wireless network
  - connecting a mobile device to 96
- printhead lens
  - cleaning 99
- printing
  - directory list 45
  - font sample list 45
  - from a computer 40
  - from a flash drive 42
  - from a mobile device 40, 41
  - from an Android device 40
  - Menu Settings Page 17
  - using Google Cloud Print 40
  - using Mopria Print Service 40
  - using Wi-Fi Direct 41
- printing a directory list 45
- printing a font sample list 45
- printing a network setup page 151
- printing confidential and other held jobs
  - from a Macintosh computer 44
  - from Windows 44
- printing from a computer 40
- printing from a flash drive 42
- Push Button method 96

## R

- recycling
  - Lexmark packaging 129
  - Lexmark products 129
- repeat print jobs 43
  - printing from a Macintosh computer 44
  - printing from Windows 44
- repeating defects 178
- replacing a photoconductor unit 108
- replacing a toner cartridge 105
- replacing parts
  - feed roller 113

- pick roller 113
- separator roller 113
- transfer belt 118
- transfer roller 121
- replacing supplies
  - staple cartridge 123, 124, 126
  - waste toner bottle 112
- replacing the pick, feed, and separator rollers 113
- replacing the staple cartridge in the booklet finisher 126
- replacing the staple cartridge in the staple finisher 123
- replacing the staple cartridge in the staple, hole punch finisher 124
- replacing the transfer roller 121
- replacing the waste toner bottle 112
- reserve print jobs
  - printing from a Macintosh computer 44
  - printing from Windows 44
- resetting
  - supply usage counters 153
- resetting the supply usage counters 153
- running a slideshow 18

## S

- safety information 7, 8, 9
- scheduling power modes 19
- securing printer memory 93
- security slot
  - locating 92
- selecting a location for the printer 11
- serial printing
  - setting up 98
- setting the paper size 25
- setting the paper type 25
- setting the Universal paper size 25
- setting up serial printing 98
- shipping the printer 128
- Sleep mode
  - configuring 128
- slow printing 158
- spoken passwords
  - enabling 23
- staple cartridge
  - replacing 123, 124, 126

- staple cartridges
  - ordering 103
- staple finisher
  - installing 216
- staple jam in the booklet finisher 148
- staple jam in the staple finisher 144
- staple jam in the staple, hole punch finisher 146
- staple jam, clearing
  - booklet finisher 148
  - staple finisher 144
  - staple, hole punch finisher 146
- staple, hole punch or booklet finisher
  - installing 222
- statement of volatility 93
- storing print jobs 43
- supplies
  - conserving 128
- supplies status
  - checking 102
- supplies, ordering
  - photoconductor unit 103
  - staple cartridges 103
  - waste toner bottle 103
- supply notifications
  - configuring 104
- supply usage counters
  - resetting 153
- supported file types 43
- supported flash drives 43
- supported paper sizes 34
- supported paper types 37
- supported paper weights 39

## T

- toner cartridge
  - replacing 105
- toner cartridges
  - ordering 102
- toner darkness
  - adjusting 181
- transfer belt
  - replacing 118
- transfer belt maintenance kit
  - ordering parts 103
- transfer roller
  - replacing 121
- transparencies
  - loading 32

- trays
  - linking 33
  - loading 25
  - unlinking 33
- troubleshooting
  - 900.xy error 151
  - cannot open Embedded Web Server 150
  - FAQ about color printing 182
  - printer is not responding 179
- troubleshooting, color quality
  - print appears tinted 183
- troubleshooting, print
  - collated printing does not work 154
  - confidential and other held documents do not print 157
  - envelope seals when printing 154
  - incorrect margins 165
  - jammed pages are not reprinted 157
  - job prints from the wrong tray 180
  - job prints on the wrong paper 180
  - paper frequently jams 156
  - print jobs do not print 160
  - slow printing 158
  - tray linking does not work 155
- troubleshooting, print quality
  - blank pages 161
  - crooked print 171
  - dark print 162
  - ghost images on prints 163
  - gray or colored
    - background 164
  - horizontal dark lines 175
  - horizontal white lines 176
  - light print 166
  - missing colors 168
  - mottled print and dots 169
  - paper curl 170
  - repeating defects 178
  - skewed print 171
  - solid color or black images 172
  - text or images cut off 172
  - toner easily rubs off 173
  - uneven print density 174
  - vertical white lines 177
  - white pages 161

- troubleshooting, printer options
  - cannot detect internal option 152

## U

- unable to read flash drive
  - troubleshooting, print 151
- Unformatted flash detected 153
- Universal paper size
  - setting 25
- unlinking trays 33
- updating firmware 229
- USB port
  - enabling 151
- USB ports 14
  - using Display Customization 18
  - using genuine Lexmark parts and supplies 102
  - using the control panel 15
  - using the home screen 16

## V

- verify print jobs 43
  - printing from a Macintosh computer 44
  - printing from Windows 44
- virtual keyboard
  - using 24
- Voice Guidance
  - activating 22
  - speech rate 22
- Voice Guidance speech rate
  - adjusting 22
- volatile memory 93
  - erasing 92

## W

- waste toner bottle
  - ordering 103
  - replacing 112
- white pages 161
- Wireless menu 72
- wireless network
  - connecting the printer to 95
  - Wi-Fi Protected Setup 96
- wireless networking 95
- wireless print server
  - installing 195
- Wi-Fi Direct 96
  - printing from a mobile device 41



- Wi-Fi network
  - deactivating 97
- Wi-Fi Protected Setup
  - wireless network 96