



Lexmark™

# **CX421, CX522, CX622, CX625, MC2325, MC2425, MC2535, MC2640, XC2235, XC4240**

---

## **7529-081, 23x, 4x6, 6x6, 83x**

### **Service Manual**

- [Start diagnostics](#)
- [Maintenance](#)
- [Safety and notices](#)
- [Trademarks](#)
- [Index](#)

June 29, 2018

[www.lexmark.com](http://www.lexmark.com)

---

## Product information

Product name:

Lexmark CX421adn; Lexmark CX522ade; Lexmark CX622ade; Lexmark CX625ade, CX625adhe, CX625adthe; Lexmark MC2325adw; Lexmark MC2425adw; Lexmark MC2535adw; Lexmark MC2640adwe; Lexmark XC2235; Lexmark XC4240

Machine type:

7529

Model(s):

081, 230, 238, 436, 486, 496, 636, 686, 836, 838, 898

## Edition notice

June 29, 2018

**The following paragraph does not apply to any country where such provisions are inconsistent with local law:** LEXMARK INTERNATIONAL, INC., PROVIDES THIS PUBLICATION “AS IS” WITHOUT WARRANTY OF ANY KIND, EITHER EXPRESS OR IMPLIED, INCLUDING, BUT NOT LIMITED TO, THE IMPLIED WARRANTIES OF MERCHANTABILITY OR FITNESS FOR A PARTICULAR PURPOSE. Some states do not allow disclaimer of express or implied warranties in certain transactions; therefore, this statement may not apply to you.

References in this publication to products, programs, or services do not imply that the manufacturer intends to make these available in all countries in which it operates. Any reference to a product, program, or service is not intended to state or imply that only that product, program, or service may be used. Any functionally equivalent product, program, or service that does not infringe any existing intellectual property right may be used instead. Evaluation and verification of operation in conjunction with other products, programs, or services, except those expressly designated by the manufacturer, are the user's responsibility.

## Trademarks

Lexmark and the Lexmark logo are trademarks of Lexmark International, Inc., registered in the United States and/or other countries. PCL® is a registered trademark of the Hewlett-Packard Company. PCL is Hewlett-Packard Company's designation of a set of printer commands (language) and functions included in its printer products. This printer is intended to be compatible with the PCL language. This means the printer recognizes PCL commands used in various application programs, and that the printer emulates the functions corresponding to the commands.

PostScript is a registered trademark of Adobe Systems Incorporated in the United States and/or other countries.

All other trademarks are the property of their respective owners.

© 2018 Lexmark International, Inc.

All rights reserved.

P/N

# General information

## Printer model configurations

The Lexmark™ CX421, CX522, CX622, CX625, MC2325, MC2425, MC2535, MC2640, XC2235, XC4240 printers are network-capable, multifunction laser printers. The printers support color and monochrome printing and are embedded with home screen solutions and applications. All information in this service manual pertains to all models unless explicitly noted.

The printers are available in the following models:

Model	Configurations	Machine type/model
CX421adn	Network-ready color laser printer with 2.4" color display, analog fax, internal duplex printing, and duplex scanning for small workgroups	7529-230
CX522ade	Network-ready color laser printer with 4.3" color touch screen, analog fax, internal duplex printing, and duplex scanning for small workgroups	7529-436
CX622ade	Network-ready color laser printer with 4.3" color touch screen, analog fax, internal duplex printing, and duplex scanning for medium workgroups	7529-636
CX625ade	Network-ready color laser printer with 7" color touch screen, analog fax, internal duplex printing, and duplex scanning for medium workgroups	7529-836
CX625adhe	Network-ready color laser printer with 7" color touch screen, analog fax, standard hard disk, headphone jack, internal duplex printing, and duplex scanning for medium workgroups	7529-838
MC2325adw	Network-ready color laser printer with 2.4" color display, wireless, analog fax, internal duplex printing, and simplex scanning for small workgroups	7529-081
MC2425adw	Network-ready color laser printer with 2-line APA display, internal duplex printing, and wireless connectivity for small workgroups	7529-238
MC2535adwe	Network-ready color laser printer with 4.3" color touch screen, analog fax, internal duplex printing, and duplex scanning for small workgroups	7529-486
MC2640adwe	Network-ready color laser printer with 4.3" color touch screen, analog fax, internal duplex printing, and duplex scanning for medium workgroups	7529-686
XC2235	Network-ready color laser printer with 4.3" color touch screen, analog fax, internal duplex printing, and duplex scanning for small workgroups	7529-496
XC4240	Network-ready color laser printer with 7" color touch screen, analog fax, standard hard disk, headphone jack, internal duplex printing, and duplex scanning for medium workgroups	7529-898

# Parts catalog

## Legend

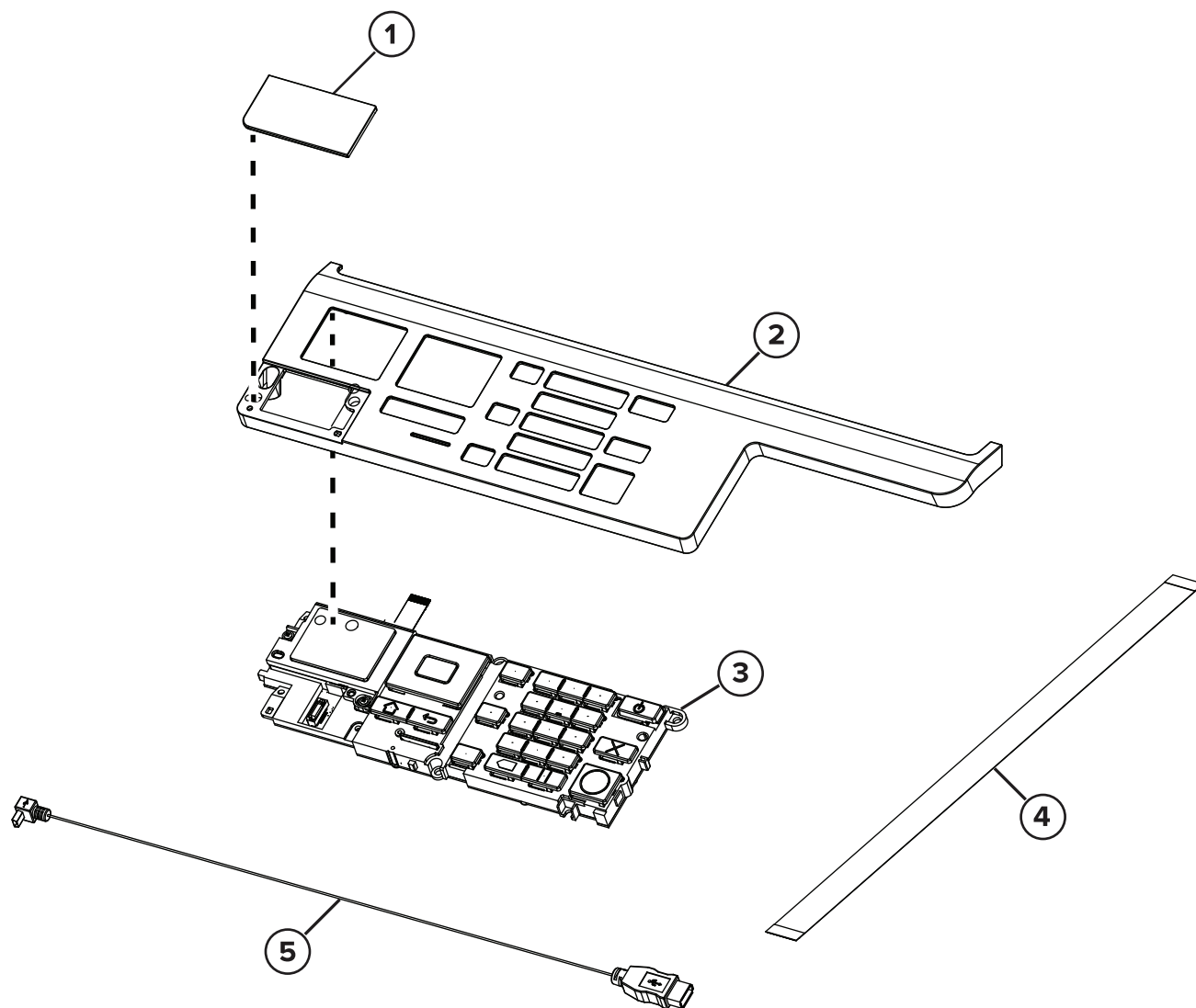
The following column headings are used in the parts catalog:

- **Asm-index**—Identifies the item in the illustration
- **P/N**—Identifies the part number of a FRU
- **Units/mach**—Refers to the number of units in a printer
- **Units/opt**—Refers to the number of units in an option
- **Units/FRU**—Refers to the number of units in a FRU
- **Description**—A brief description of the part

The following abbreviations are used in the parts catalog:

- **NS** (not shown) in the Asm-index column indicates that the part is procurable but is not shown in the illustration.
- **PP** (parts packet) in the Description column indicates that the part is contained in a parts packet.

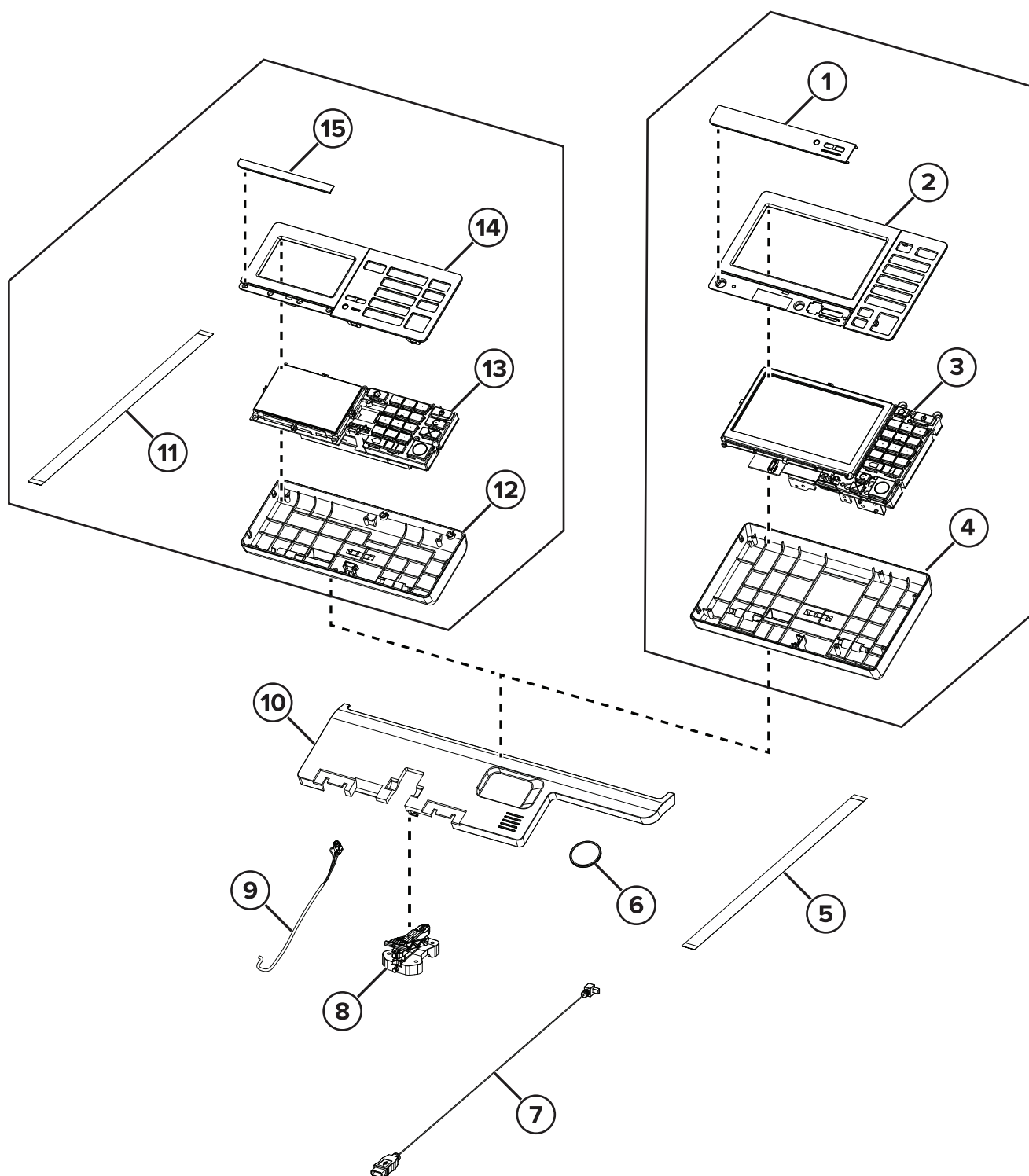
## Assembly 1: 2.4-inch control panel



## Assembly 1: 2.4-inch control panel

Asm-index	P/N	Units/mach	Units/FRU	Description	Removal procedure
1	41X2056	1	1	MC2325 control panel badge cover	<a href="#">“2.4-inch control panel badge cover removal” on page 322</a>
1	41X2131	1	1	MC2425 control panel badge cover	<a href="#">“2.4-inch control panel badge cover removal” on page 322</a>
1	41X2057	1	1	CX321 control panel badge cover	<a href="#">“2.4-inch control panel badge cover removal” on page 322</a>
1	41X2065	1	1	CX421 control panel badge cover	<a href="#">“2.4-inch control panel badge cover removal” on page 322</a>
2	41X1044	1	1	2.4-inch control panel top cover	<a href="#">“2.4-inch control panel top cover and control panel removal” on page 325</a>
3	41X1368	1	1	2.4-inch control panel assembly	<a href="#">“2.4-inch control panel top cover and control panel removal” on page 325</a>
4	41X2024	1	1	2.4-inch control panel ribbon cable	<a href="#">“2.4-inch control panel top cover and control panel removal” on page 325</a>
5	41X2023	1	1	USB cable	--

## Assembly 2: 4.3-inch and 7-inch control panel



## Assembly 2: 4.3-inch and 7-inch control panel

Asm-index	P/N	Units/mach	Units/FRU	Description	Removal procedure
1	41X2128	1	1	CX625 control panel badge cover	<a href="#">“7-inch control panel badge cover removal” on page 323</a>
1	41X2129	1	1	XC4240 control panel badge cover	<a href="#">“7-inch control panel badge cover removal” on page 323</a>
2	41X0543	1	1	7-inch control panel bezel (CX625 and XC2420)	<a href="#">“7-inch control panel bezel removal” on page 324</a>
3	41X0051	1	1	7-inch control panel assembly (CX625 and XC2420)	<a href="#">“7-inch control panel removal” on page 330</a>
4	41X1048	1	1	7-inch control panel base cover (CX625 and XC2420)	<a href="#">“7-inch control panel removal” on page 330</a>
5	41X2025	1	1	7-inch control panel ribbon cable (CX625 and XC2420)	<a href="#">“7-inch control panel removal” on page 330</a>
6	40X6517	1	1	Speaker (MC2325, CX421, and MC2425)	<a href="#">“Speaker (MC2325, CX421, MC2425) removal” on page 331</a>
6	41X1311	1	1	Speaker (CX522, CX622, CX625, XC2235, XC4240, MC2325, MC2425, MC2535, and MC2640)	<a href="#">“Speaker (CX522, CX622, CX625, XC2235, XC4240, MC2535, MC2640) removal” on page 332</a>
7	41X2023	1	1	USB cable	--
8	41X1047	1	1	Control panel rotation arm	--
9	41X2306	1	1	Headphone cable with clip	--
10	41X1045	1	1	Scanner top front cover	--
11	41X2024	1	1	4.3-inch control panel ribbon cable (CX522, CX622, MC2535, and XC2235)	<a href="#">“4.3-inch control panel removal” on page 329</a>
12	41X1046	1	1	4.3-inch control panel base cover (CX522, CX622, MC2535, and XC2235)	--
13	41X1359	1	1	4.3-inch control panel assembly (CX522, CX622, MC2535, and XC2235)	<a href="#">“4.3-inch control panel removal” on page 329</a>
14	41X1727	1	1	4.3-inch control panel bezel (CX522, CX622, MC2535, and XC2235)	<a href="#">“4.3-inch control panel bezel removal” on page 323</a>
15	41X2130	1	1	MC2535 control panel badge cover	<a href="#">“4.3-inch control panel badge cover removal” on page 322</a>
15	41X2058	1	1	CX522 control panel badge cover	<a href="#">“4.3-inch control panel badge cover removal” on page 322</a>

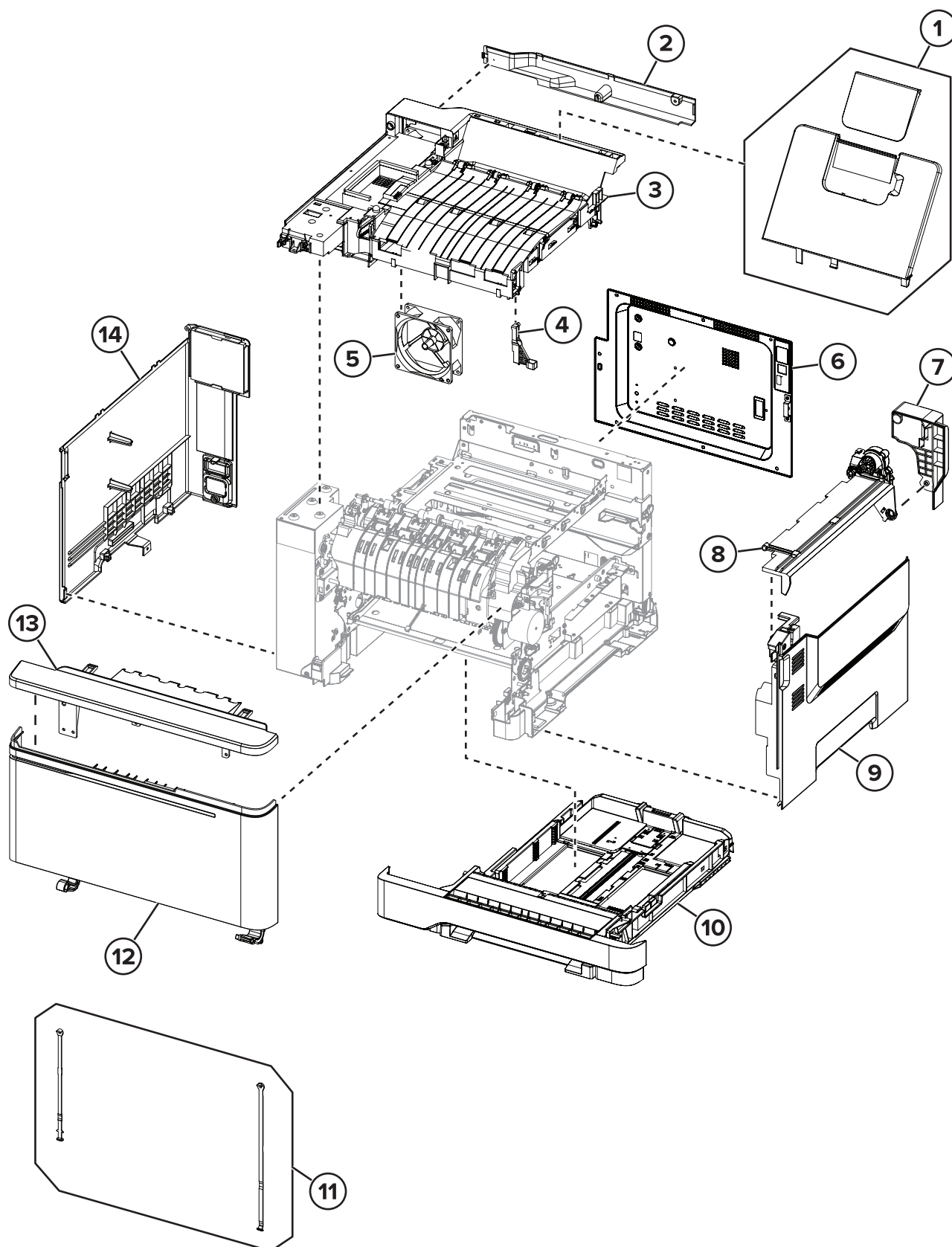


Asm-index	P/N	Units/mach	Units/FRU	Description	Removal procedure
15	41X2059	1	1	XC2235 control panel badge cover	<a href="#">“4.3-inch control panel badge cover removal” on page 322</a>
15	41X2067	1	1	CX622 control panel badge cover	<a href="#">“4.3-inch control panel badge cover removal” on page 322</a>
NS	41X1731	1	1	Front bracket cover	<a href="#">“Front bracket cover removal” on page 331</a>
NS	41X2022	1	1	Control panel power cable	--





## Assembly 3: Covers

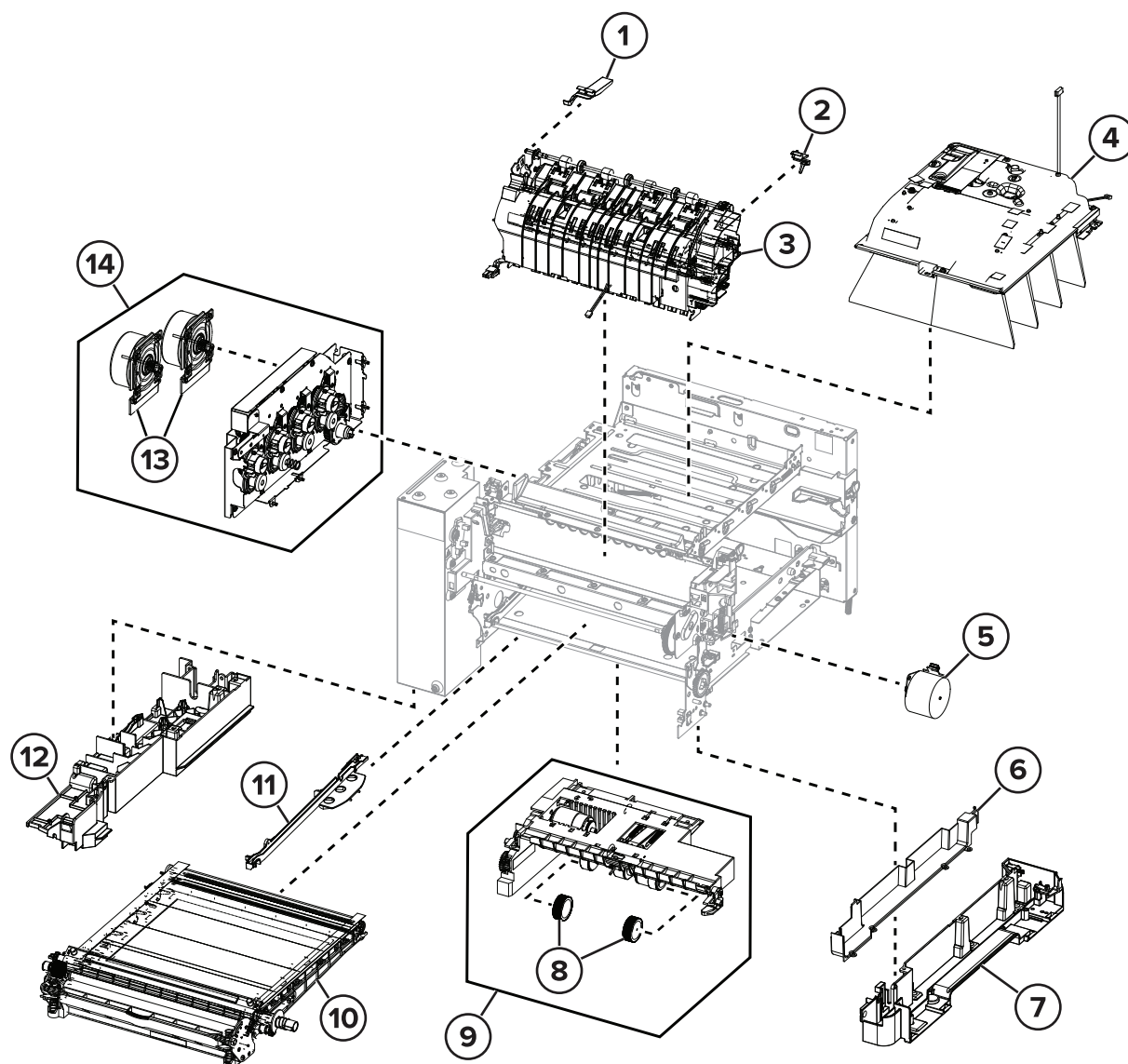


## Assembly 3: Covers

Asm-index	P/N	Units/mach	Units/FRU	Description	Removal procedure
1	41X1295	1	1	Output bin	<a href="#">“Output bin and paper bail removal” on page 375</a>
2	41X1288	1	1	MFP cable cover	--
3	41X1284	1	1	Top cover with fan	<a href="#">“Top cover removal” on page 371</a>
4	41X2114	1	1	Front toner door pivot bracket	<a href="#">“Flatbed pivot link (front left) removal” on page 409</a>
5	41X0397	1	1	System fan	<a href="#">“System fan removal” on page 365</a>
6	41X1787	1	1	Rear cover (CX622, CX625, MC2640, and XC4240)	<a href="#">“Rear cover removal” on page 367</a>
6	41X2101	1	1	Rear cover (CX522 and MC2535)	<a href="#">“Rear cover removal” on page 367</a>
6	41X2102	1	1	Rear cover (CX421 and MC2425)	<a href="#">“Rear cover removal” on page 367</a>
6	41X2104	1	1	Rear cover (CX321 and MC2325)	<a href="#">“Rear cover removal” on page 367</a>
7	41X1296	1	1	MFP link	<a href="#">“MFP link removal” on page 378</a>
8	41X1049	1	1	Toner cover with damper	<a href="#">“MFP toner cover removal” on page 377</a>
9	40X7823	1	1	Right cover	<a href="#">“Right cover removal” on page 294</a>
10	41X1285	1	1	250-sheet tray	--
11	40X7619	1	2	Door straps	--
12	41X1286	1	1	Front door	<a href="#">“Front door removal” on page 316</a>
13	41X1287	1	1	Front middle cover	<a href="#">“Front middle cover removal” on page 320</a>
14	41X1291	1	1	Left cover	<a href="#">“Left cover removal” on page 284</a>



## Assembly 4: Paper path and frame

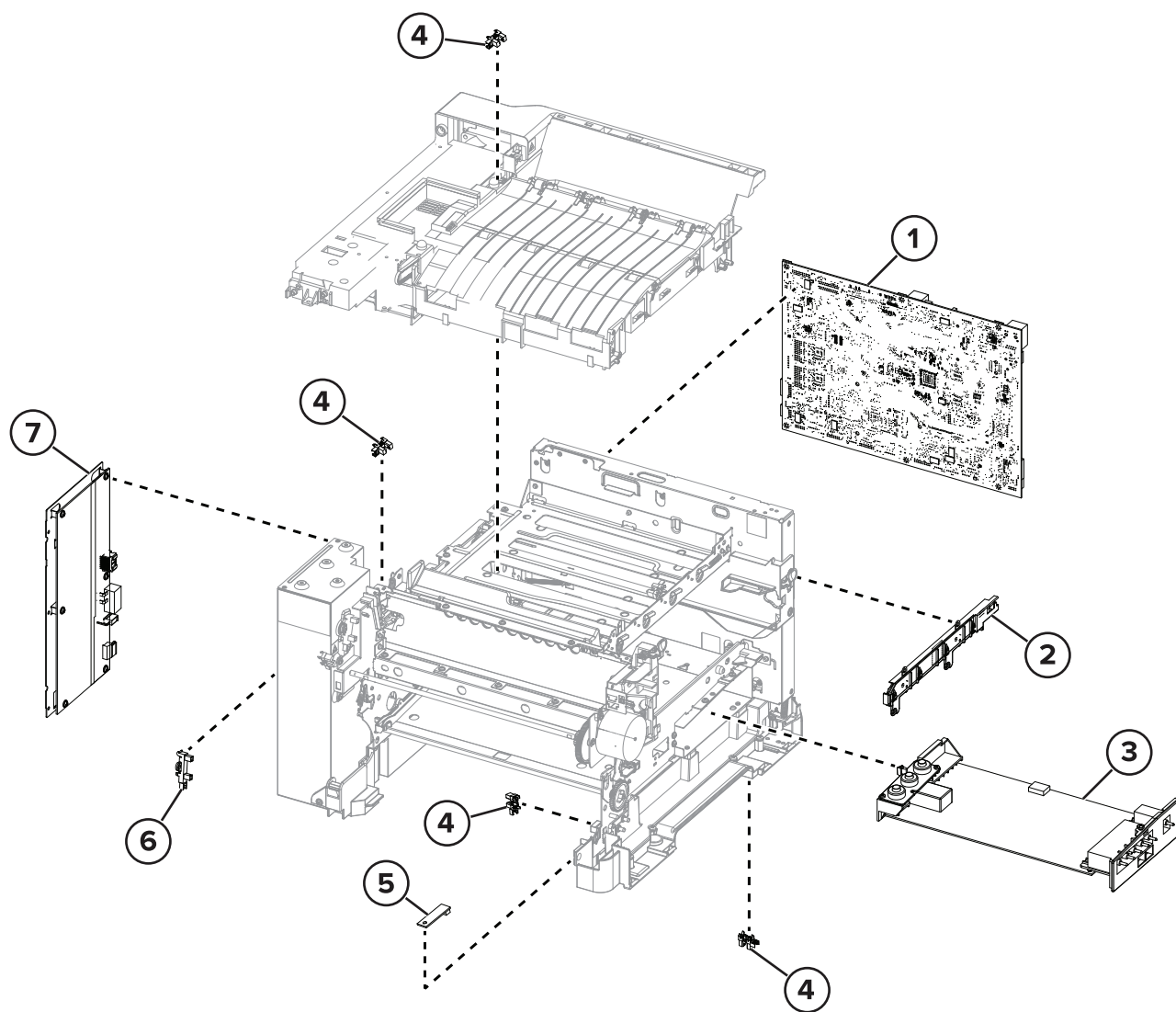


## Assembly 4: Paper path and frame

Asm-index	P/N	Units/mach	Units/FRU	Description	Removal procedure
1	41X2307	1	1	Narrow media sensor flag	<a href="#">“Narrow media sensor flag removal” on page 382</a>
2	40X8819	1	1	Right fuser deflector	<a href="#">“MFP fuser deflector flag removal” on page 380</a>
3	41X1041	1	1	110 V Fuser	<a href="#">“Fuser removal” on page 336</a>
3	41X1300	1	1	220 V Fuser	<a href="#">“Fuser removal” on page 336</a>
3	41X1299	1	1	100 V Fuser	<a href="#">“Fuser removal” on page 336</a>
4	41X1040	1	1	Printhead	<a href="#">“Printhead removal” on page 383</a>
5	40X7629	1	1	Motor (fuser drive)	<a href="#">“Motor (fuser drive) removal” on page 295</a>
6	41X2327	1	1	Subframe cable cover	--
7	41X1312	1	1	Lower right subframe	<a href="#">“Lower right frame removal” on page 351</a>
8	40X5168	2	2	Pick tires	<a href="#">“Pick tires removal” on page 341</a>
9	41X1292	1	1	Media feeder	<a href="#">“Tray 1 media feeder removal” on page 362</a>
10	41X1039	1	1	Imaging kit	<a href="#">“Imaging kit removal” on page 311</a>
11	41X0580	1	1	Transfer module guide	<a href="#">“Transfer module guide removal” on page 358</a>
12	41X2326	1	1	Lower left subframe	<a href="#">“Lower left frame removal” on page 343</a>
13	41X1724	1	1	Drive unit motor kit	<a href="#">“Motor (drive unit) removal” on page 286</a>
14	41X1289	1	1	EP drive assembly	<a href="#">“EP drive assembly removal” on page 286</a>
NS	41X2360	4	4	Sub-frame foot	--



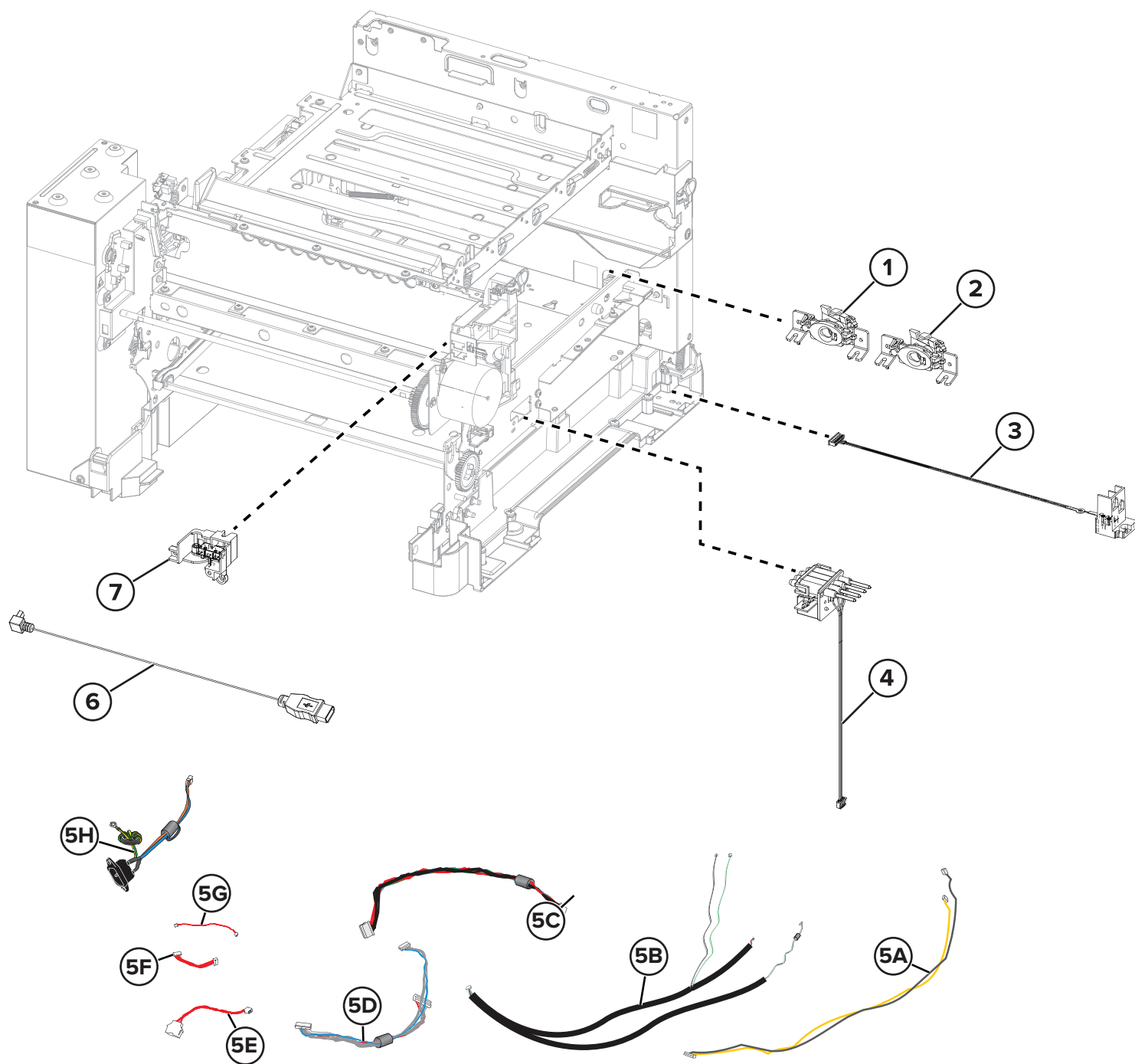
## Assembly 5: Electronics



## Assembly 5: Electronics

Asm-index	P/N	Units/mach	Units/FRU	Description	Removal procedure
1	41X1785	1	1	Controller board (CX321, MC2325, CX421, and MC2425)	<a href="#">“Controller board removal” on page 369</a>
1	41X2099	1	1	Controller board (CX522 and MC2535)	<a href="#">“Controller board removal” on page 369</a>
1	41X1786	1	1	Controller board (CX622, CX625, MC2640, and XC4240)	<a href="#">“Controller board removal” on page 369</a>
2	40X7620	1	1	Toner meter card	<a href="#">“TMC card removal” on page 296</a>
3	41X1042	1	1	High-voltage power supply	<a href="#">“HVPS removal” on page 302</a>
4	40X7301	4	1	Photo sensors: <ul style="list-style-type: none"> <li>• Sensor (tray present)</li> <li>• Sensor (duplex)</li> <li>• Sensor (bin full/narrow media)</li> </ul>	<a href="#">“Sensor (tray present) removal” on page 361</a> <a href="#">“Sensor (duplex) removal” on page 357</a> <a href="#">“Sensor (narrow media) removal” on page 381</a>
5	41X1290	1	1	Weather station	<a href="#">“Weather station removal” on page 332</a>
6	40X5413	1	1	Sensor (fuser exit)	<a href="#">“Sensor (fuser exit) removal” on page 291</a>
7	41X1043	1	1	Low-voltage power supply (170 W)	<a href="#">“LVPS removal” on page 289</a>

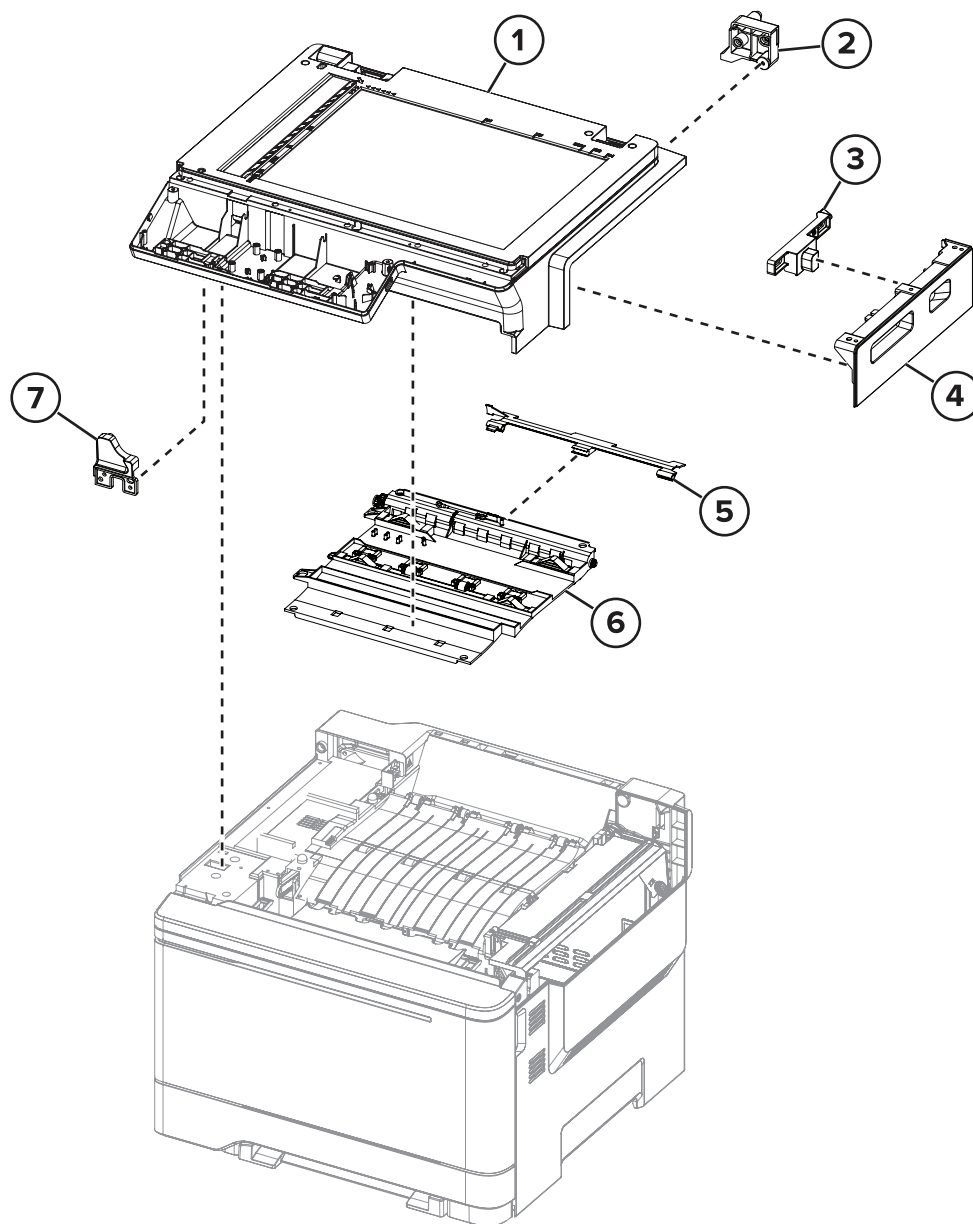
## Assembly 6: Cables and sensors



## Assembly 6: Cables and sensors

Asm-index	P/N	Units/mach	Units/FRU	Description	Removal procedure
1	41X1904	1	1	Sensor (left toner patch with thermistor)	<a href="#">“Sensors (toner patch) removal” on page 299</a>
2	41X2348	1	1	Sensor (right toner patch with thermistor)	<a href="#">“Sensors (toner patch) removal” on page 299</a>
3	41X1722	1	1	Waste toner bottle contact block	<a href="#">“Waste toner bottle contact block removal” on page 315</a>
4	41X1723	4	1	Toner cartridge contact	<a href="#">“Toner cartridge contacts removal” on page 313</a>
5A	41X2328	1	1	Fuser exit narrow media to controller board	--
5B	41X2329	1	1	Fuser/input sensor cable	--
5C	41X2332	1	1	LVPS to controller board cable	--
5D	41X2330	1	1	EP motor to controller board cable	--
5E	41X2335	1	1	Tray 2 to controller board cable	--
5F	41X2334	1	1	HVPS to controller board cable	--
5G	41X2336	1	1	Tray present sensor cable	--
5H	41X2331	1	1	AC power to LVPS cable	--
6	40X7641	1	1	Control panel and USB port cable pack	--
7	41X1561	1	1	Front and right side interlock switch cover assembly	<a href="#">“Interlock switch cover assembly removal” on page 320</a>
NS	41X2333	1	1	Weather station cable	<a href="#">“Weather station removal” on page 332</a>

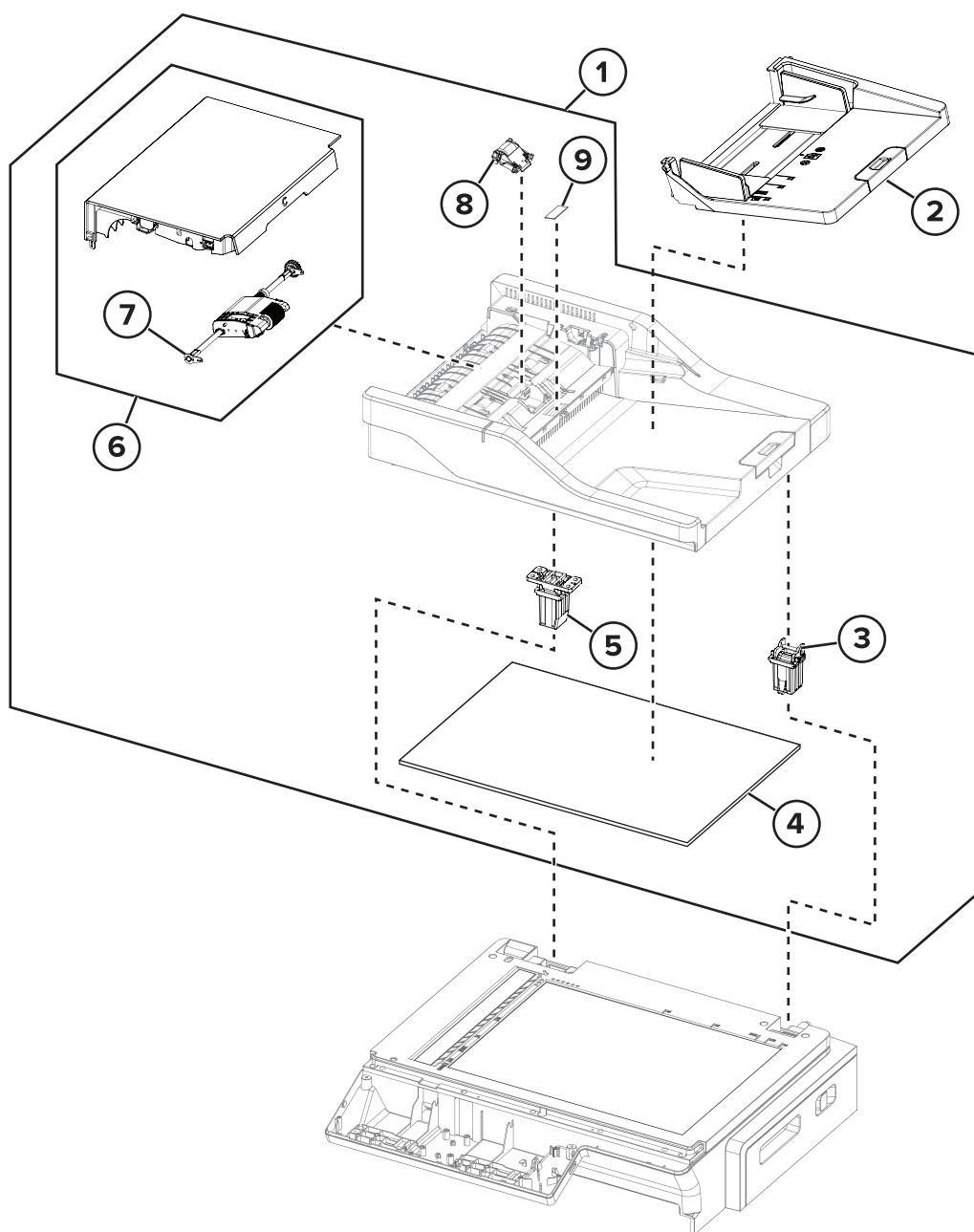
## Assembly 7: Scanner



## Assembly 7: Scanner

Asm-index	P/N	Units/mach	Units/FRU	Description	Removal procedure
1	41X1294	1	1	Flatbed scanner assembly (CX321, MC2325, CX421, MC2425, CX522, and MC2535)	<a href="#">“Flatbed scanner assembly removal” on page 403</a>
1	41X2071	1	1	Flatbed scanner assembly (CX622, CX625, MC2640, and XC4240)	<a href="#">“Flatbed scanner assembly removal” on page 403</a>
2	41X1282	1	1	Flatbed pivot link (rear right)	<a href="#">“Flatbed pivot link (rear right) removal” on page 408</a>
3	41X1560	1	1	Release lever	<a href="#">“Release lever removal” on page 379</a>
4	41X1281	1	1	Scanner right cover	<a href="#">“Scanner right cover removal” on page 402</a>
5	41X2126	1	1	Bin full flag	<a href="#">“Bin full flag removal” on page 380</a>
6	41X1559	1	1	Redrive unit	<a href="#">“Redrive unit removal” on page 385</a>
7	41X1283	1	1	Flatbed pivot link (front left)	<a href="#">“Flatbed pivot link (front left) removal” on page 409</a>
NS	40X2252	2	2	Redrive spacer screws	--

## Assembly 8: ADF

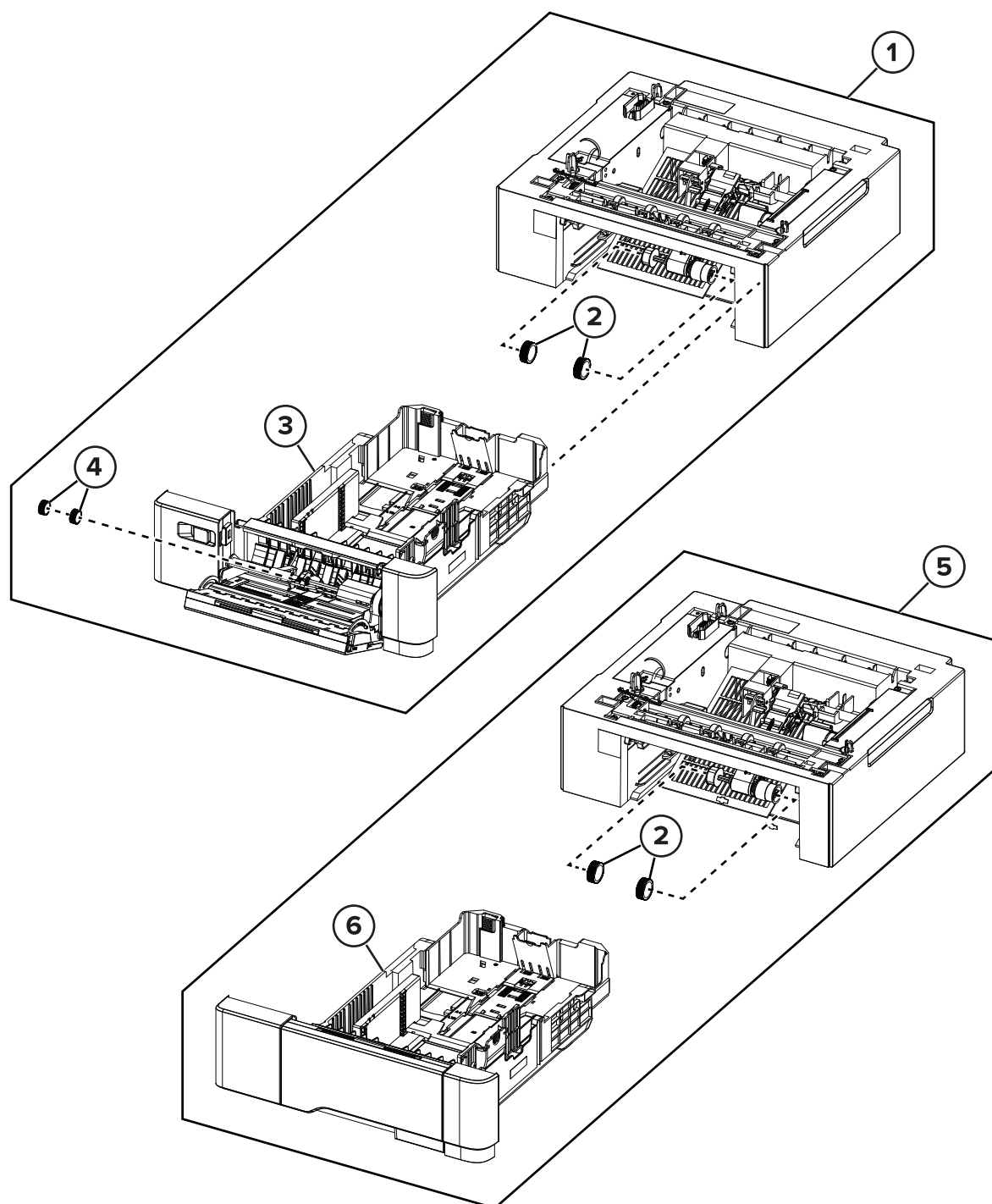


## Assembly 8: ADF

Asm-index	P/N	Units/mach	Units/FRU	Description	Removal procedure
1	41X1276	1	1	ADF assembly (CX421, MC2425, CX522, and MC2535)	<a href="#">“ADF assembly removal (SADF/RADF)” on page 386</a>
1	41X1293	1	1	ADF assembly (CX622, CX625, MC2640, and XC4240)	<a href="#">“ADF assembly removal (DADF)” on page 389</a>
1	41X1275	1	1	ADF assembly (CX321 and MC2325)	<a href="#">“ADF assembly removal (SADF/RADF)” on page 386</a>
2	41X1333	1	1	ADF tray (CX321, MC2325, CX421, MC2425, CX522, and MC2535)	<a href="#">“ADF tray removal” on page 395</a>
2	41X1335	1	1	ADF tray (CX622, CX625, MC2640, and XC4240)	<a href="#">“ADF tray removal” on page 395</a>
3	40X8734	1	1	ADF right hinge	--
4	41X1974	1	1	Flatbed cushion	--
5	40X8735	1	1	ADF left hinge	--
6	41X2116	1	1	ADF top cover assembly (CX321 and MC2325)	<a href="#">“ADF top cover removal” on page 398</a>
6	41X2117	1	1	ADF top cover assembly (CX622, CX625, MC2640, and XC4240)	<a href="#">“ADF top cover removal” on page 398</a>
6	41X2118	1	1	ADF top cover assembly (CX421, MC2425, CX522, and MC2535)	<a href="#">“ADF top cover removal” on page 398</a>
7	40X8736	1	1	ADF pick roller (CX321, MC2325, CX421, MC2425, CX522, and MC2535)	--
7	41X1326	1	1	ADF pick roller (CX622, CX625, MC2640, and XC4240)	--
8	40X6247	1	1	ADF separator pad (CX321 and MC2325)	<a href="#">“ADF separator pad removal” on page 397</a>
8	41X0917	1	1	ADF separator roller (CX421, MC2425, CX522, and MC2535)	<a href="#">“ADF separator roller removal” on page 396</a>
8	41X1325	1	1	ADF separator roller (CX622, CX625, MC2640, and XC4240)	<a href="#">“ADF separator roller removal” on page 396</a>
9	41X1973	1	1	ADF restraint pad (CX321 and MC2325)	--
9	41X1322	1	1	ADF restraint pad (CX321, MC2325, CX421, MC2425, CX522, and MC2535)	--
9	41X2159	1	1	ADF restraint pad (CX622, CX625, MC2640, and XC4240)	--



## Assembly 9: Option trays



## Assembly 9: Option trays

Asm-index	P/N	Units/mach	Units/FRU	Description	Removal procedure
1	41X1783	1	1	Optional 650-sheet duo tray	<a href="#">“650-sheet duo tray removal” on page 412</a>
2	40X5168	2	2	Pick tires	<a href="#">“Pick tire removal” on page 414</a>
3	41X1784	1	1	650-sheet duo tray insert	<a href="#">“650-sheet duo tray insert removal” on page 411</a>
4	40X7178	2	1	650-sheet duo tray MPF rollers	--
5	41X1780	1	1	550-sheet tray	--
6	41X1781	1	1	550-sheet tray insert	--

## Assembly 10: Miscellaneous

Asm-index	P/N	Units/mach	Units/FRU	Description	Removal procedure
NS	41X2096	1	1	115 V Maintenance kit (fuser and transfer module)	--
NS	41X2097	1	1	230 V Maintenance kit (fuser and transfer module)	--
NS	41X2095	1	1	100 V Maintenance kit (fuser and transfer module)	--
NS	40X9934	1	1	320 GB SATA hard disk drive	--
NS	41X1373	1	1	SATA hard disk drive with FIPS	--
NS	41X1873	1	1	Wireless network card cardlet without cable	--
NS	41X1871	1	1	1 port vertical fax card	--
NS	40X4823	1	1	1284-B THCK parallel adapter	--
NS	41X1945	1	1	N8230 fiber ISP with side cover adapter	--
NS	41X1946	1	1	N8230 fiber ISP with backpack adapter	--
NS	41X1013	1	1	Simplified Chinese font card	--
NS	41X1014	1	1	Traditional Chinese font card	--
NS	41X1015	1	1	Korean font card	--
NS	41X1016	1	1	Japanese font card	--
NS	41X1010	1	1	256 MB flash card	--
NS	41X0027	1	1	Security element smart card	--
NS	41X0020	1	1	Serial ISP with backpack adapter	--
NS	41X0997	1	1	Contact front solutions module	--
NS	41X0998	1	1	Contactless front solutions module	--
NS	41X0045	1	1	English keyboard	--
NS	41X0046	1	1	French keyboard	--
NS	41X0048	1	1	German keyboard	--
NS	41X0049	1	1	Spanish keyboard	--
NS	41X2033	1	1	PCIe 8 GB x32 DDP RAM card	--
NS	41X2302	1	1	Braille label kit	--
NS	41X0357	1	1	110 V surge protector	--
NS	41X0370	1	1	220 V surge protector	--
NS	40X1367	1	1	10 ft. parallel cable	--
NS	40X1368	1	1	USB cable	--
NS	40X7648	1	1	Screws parts pack	--
NS	40X7652	1	1	Spring kit	--