



# Forms Printer 2500 Series

---

## Quick Reference

**January 2014**

---

Lexmark and Lexmark with diamond design are trademarks of Lexmark International, Inc., registered in the United States and/or other countries. All other trademarks are the property of their respective owners.

© 2014 Lexmark International, Inc.

All rights reserved.

740 West New Circle Road  
Lexington, Kentucky 40550



Introduction	1
Chapter 1: The History of the Book	15
Chapter 2: The Structure of the Book	35
Chapter 3: The Language of the Book	55
Chapter 4: The Style of the Book	75
Chapter 5: The Content of the Book	95
Chapter 6: The Reception of the Book	115
Chapter 7: The Future of the Book	135
Index	155

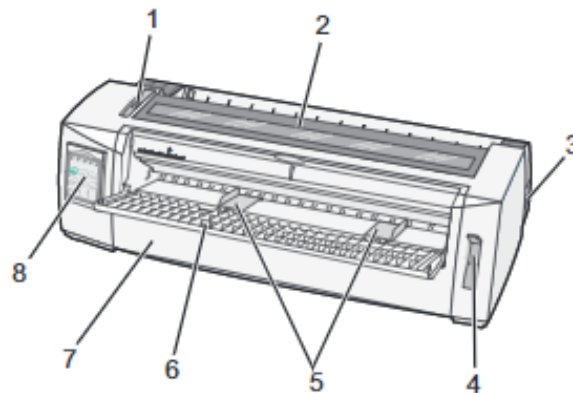
## Learning about the printer

For additional setup and instructions on using the printer, see the *User's Guide* available on the Lexmark Web site at [www.lexmark.com](#).

### Printer overview

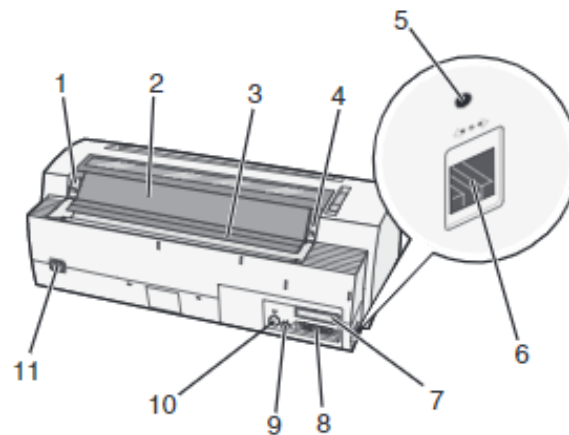
The Lexmark™ Forms Printer 2500 Series printers are available in 9- and 24-wire narrow- and wide-carriage models. Depending on the model you have chosen, your printer may look slightly different from the printer illustrated.

### Printer front view



Part name	
1	Forms thickness lever
2	Ribbon access cover
3	Power switch
4	Paper select lever
5	Paper guides
6	Manual feeder
7	Front cover
8	Control panel

## Printer back view



Part name	
1	Ribbon access cover latch
2	Acoustic flap
3	Tear off bar
4	Ribbon access cover latch
5	Recessed network button
6	Network connector
7	Optional serial interface knockout
8	Parallel connector
9	USB connector
10	Optional Tractor 2 connector knockout
11	Power cord connector

## Understanding the printer features and functions

Feature/function	2580/2581	2590/2591
<b>Multi-speed printing</b>		
FastDft (Fast Draft) <ul style="list-style-type: none"> <li>10 characters per inch (cpi)</li> <li>12 cpi</li> </ul>	<ul style="list-style-type: none"> <li>440 characters per second (cps)</li> <li>520 cps</li> </ul>	<ul style="list-style-type: none"> <li>410 cps</li> <li>520 cps</li> </ul>
Draft	309 cps	274 cps
Courier Gothic	77 cps (Near-Letter-Quality mode)	91 cps (Letter-Quality mode)
<b>Character spacing</b> <b>Note:</b> Fast Draft supports only 10, 12, and 15 pitch.	Prints in 10, 12, 15, 17, and 20 cpi, as well as proportional spacing	Prints in 10, 12, 15, 17, 20, and 24 cpi, as well as proportional spacing

Feature/function	2580/2581	2590/2591
<b>Resident fonts</b>	<ul style="list-style-type: none"> <li>• Fast Draft</li> <li>• Draft</li> <li>• Gothic</li> <li>• Courier</li> </ul>	<ul style="list-style-type: none"> <li>• Fast Draft</li> <li>• Draft</li> <li>• Gothic</li> <li>• Courier</li> <li>• Prestige</li> <li>• Presentor</li> <li>• Orator</li> <li>• Script</li> </ul>
<b>Print styles</b> <b>Note:</b> This feature is available through printer commands.	Highlighting capability: <ul style="list-style-type: none"> <li>• Double-high</li> <li>• Double-strike</li> <li>• Double-wide</li> <li>• Emphasized</li> <li>• Italics</li> <li>• Overscore</li> <li>• Subscript</li> <li>• Superscript</li> <li>• Underline</li> </ul>	Highlighting capability: <ul style="list-style-type: none"> <li>• Double-high</li> <li>• Double-strike</li> <li>• Double-wide</li> <li>• Emphasized</li> <li>• Italics</li> <li>• Overscore</li> <li>• Subscript</li> <li>• Superscript</li> <li>• Underline</li> <li>• Shading</li> <li>• Outline</li> </ul>
<b>Graphics printing</b> <b>Note:</b> This feature supports existing graphics programs.	Resolution of up to 144 x 240 dots per square inch (dpi)	Resolution of up to 360 x 360 dpi
<b>Multiple-part forms</b>	Prints original plus five copies (six-part forms)	Prints original plus three copies (four-part forms)

Feature/function	All models
Control panel	Button control for Load/Unload, Tear Off, Font, Setup, Pitch, Macro, and paper movement functions. Control panel lights indicate current status.
Font lock	<ul style="list-style-type: none"> <li>• Locks the font selection you make from the control panel so it is not changed by your program.</li> <li>• Font lock is deactivated when you turn the printer off unless it is set in the printer default settings.</li> </ul>
Pitch lock	<ul style="list-style-type: none"> <li>• Locks pitch selections you make from the control panel so they are not changed by your program</li> <li>• Pitch lock is deactivated when you turn the printer off unless it is set in the printer default settings.</li> </ul>
Load/Unload	Loads and unloads continuous form paper (tractor fed)
Macro function	The printer has the capability of storing four unique document formats to enhance flexibility when using different styles of pre-printed forms.

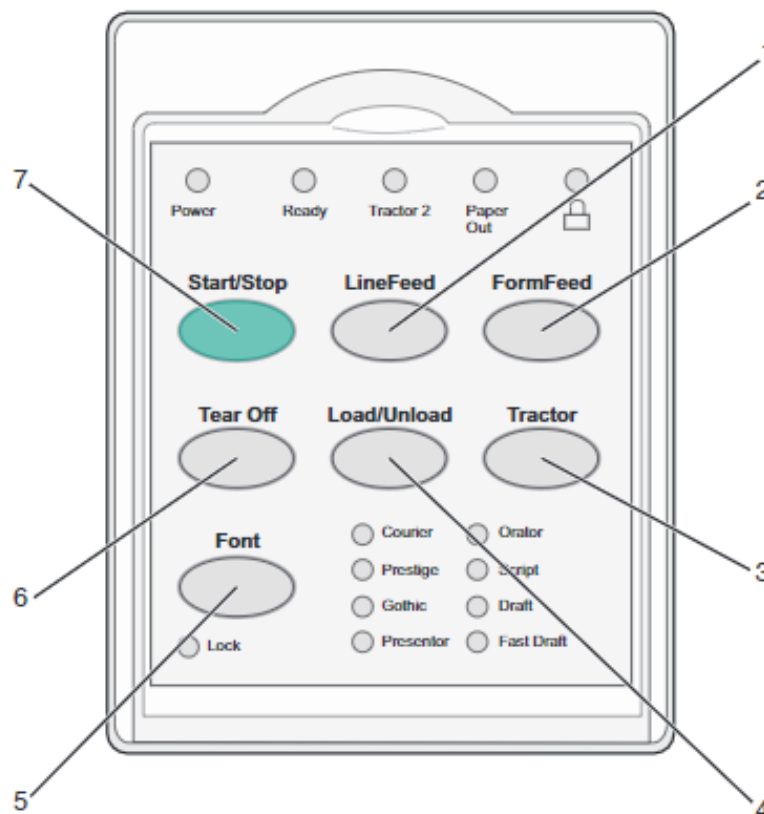
Feature/function	All models
Manual front loading for cut sheets	Enables printing on cut sheets or envelopes
Tear Off bar	<ul style="list-style-type: none"> <li>• Assists in removing printed continuous forms at the perforation</li> <li>• Assists in tearing non-perforated forms</li> <li>• Reduces the amount of paper used, thus reducing costs</li> </ul>
Adjustable tractor	<p>Lets you handle continuous form paper without purchasing additional options. It can be repositioned to function as:</p> <ul style="list-style-type: none"> <li>• Push tractor</li> <li>• Pull tractor</li> </ul>
Control panel disable	Limits control panel functions to the Start/Stop, FormFeed, Tear Off, and Load/Unload buttons only, thus limiting the potential that untrained operators may accidentally change forms settings
Ribbon cartridge	Contains the inked fabric ribbon
Printer tests	<ul style="list-style-type: none"> <li>• Power-on Self Test</li> <li>• Printer test page—Determines whether your machine has print problems</li> <li>• Demonstration Print</li> </ul>
Box and line drawings	Prints tables, charts, and other graphics as shown on your computer screen
Greek and math symbols	Prints a variety of symbols used in mathematical equations, including subscript and superscript
Code pages	Selects the characters and symbols corresponding to various country languages
Bar code function	<p>These bar codes are resident in the printer:</p> <ul style="list-style-type: none"> <li>• 3 of 9</li> <li>• Codabar (NW-7)</li> <li>• Code 39</li> <li>• Code 128</li> <li>• Interleaved 2 of 5</li> <li>• UPC-A</li> <li>• UPC-E</li> <li>• EAN 8</li> <li>• EAN 13</li> <li>• PostNet</li> </ul> <p><b>Note:</b> For more information on the Bar code function, see the <i>Technical Reference</i> available on the Lexmark Web site at .</p>
Software compatibility	<ul style="list-style-type: none"> <li>• Compatible with all programs that support IBM emulation or Epson emulation</li> <li>• Compatible with Okidata MICROLINE emulation (with the M320 turbo), which is standard on the 9-wire printer and 2580/2581 printer models.</li> </ul>
Interface connection	<p>Allows the printer to work with all computers with compatible interface connections</p> <p>Both parallel and USB interfaces are standard. The internal serial interface (RS-232) is optional for the 2580/2581 and 2590/2591 models.</p> <p>The Network option is standard on the 2580n/2581n and 2590n/2591n models.</p>

## Using the control panel

### Understanding the control panel buttons

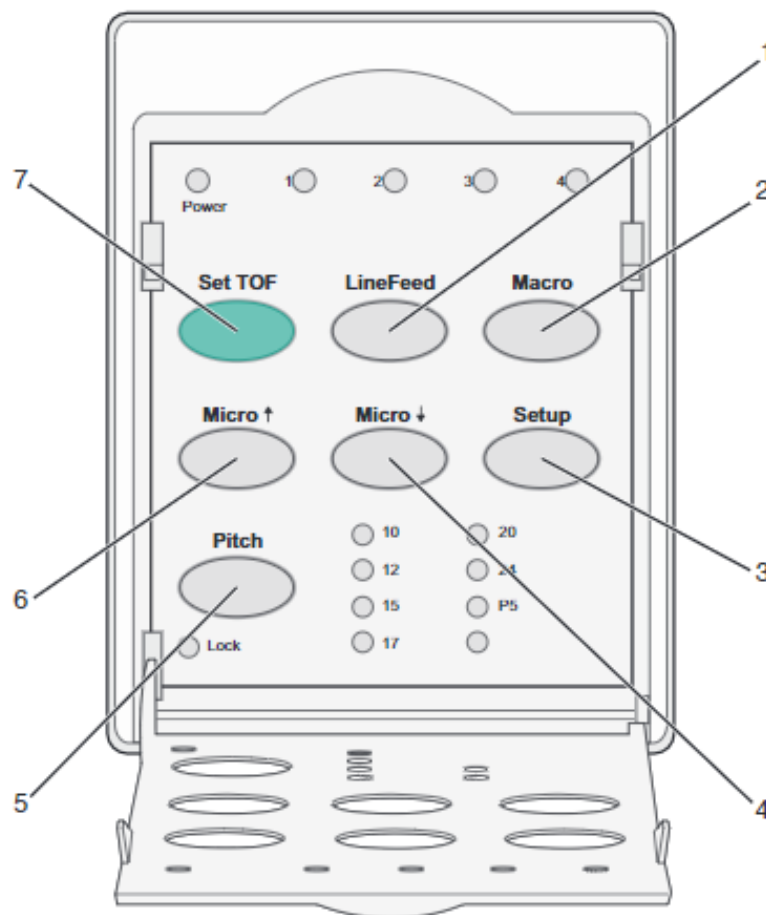
The control panel has two layers of functionality:

- Layer 1, with the control panel cover closed, contains basic functions like FormFeed, Tear Off, and taking the printer online/offline.
- Layer 2, with the control panel cover open, contains more advanced functionality. Use layer 2 to select a macro and change printer menu settings.



Button	Function
1	LineFeed Advances the paper one line
2	FormFeed Advances the paper to the next Top-Of-Form
3	Tractor Alternates between Tractor 1 and Tractor 2 if the optional Tractor 2 is installed
4	Load/Unload Loads paper to the current Top-Of-Form or unloads paper to a parked position
5	Font Selects one of the resident font styles <b>Note:</b> Repeatedly pressing the Font button cycles through the printer font selections. If you continue pressing Font through a second pass, the font selections will be locked.
6	Tear Off Alternates the paper between Tear Off and Top-Of-Form
7	Start/Stop Communicates the on/off status of the printer





Button	Function
1	<b>LineFeed</b> Advances the paper one line. Press and hold <b>LineFeed</b> to advance the paper 5 micro movements, and then go into continuous feed.
2	<b>Macro</b> To support different styles of pre-printed forms, selects between four document formats
3	<b>Setup</b> Press to enter Setup mode. Lets you change the default values and modes of printer operation.
4	<b>Micro ↓</b> Feeds the paper downward in small incremental movements. Press and hold to select continuous feed.
5	<b>Pitch</b> Sets the character pitch to: 10 cpi, 12 cpi, 15 cpi, 17 cpi, 20 cpi, or proportional spacing <b>Notes:</b> <ul style="list-style-type: none"> <li>• On 2590/2591 models, you can also select 24 cpi.</li> <li>• Fast Draft supports only 10, 12, and 15 pitch.</li> </ul>
6	<b>Micro ↑</b> Feeds the paper upward in small incremental movements. Press and hold to select continuous feed.
7	<b>Set TOF</b> Sets the Top-Of-Form, which is the position of the first print line on the page

## Understanding the control panel lights

The following tables describe the light patterns on the control panel.