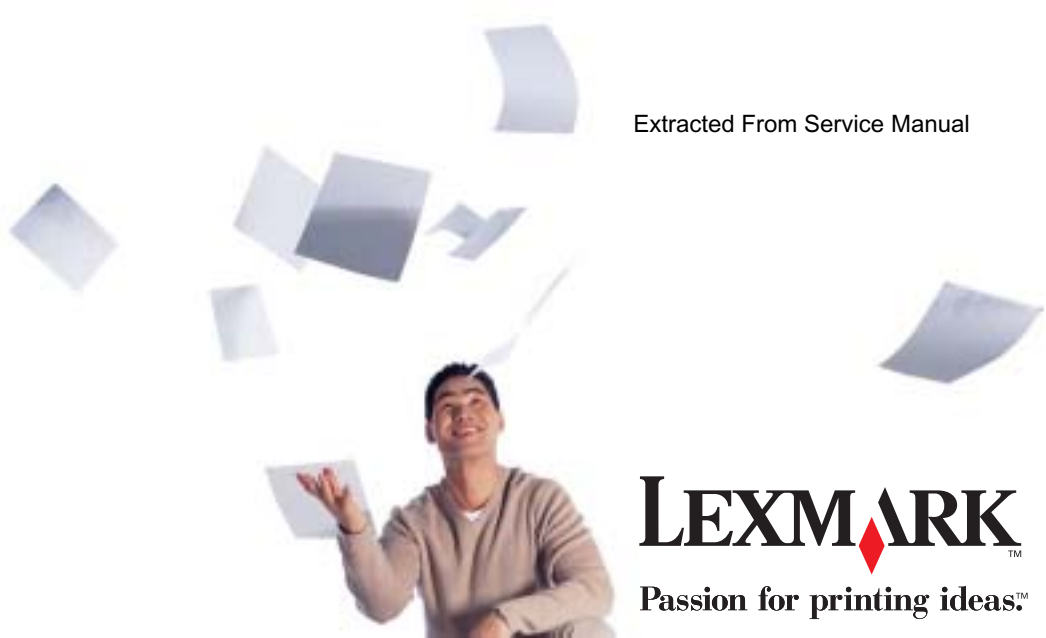


Parts Breakdown

Lexmark E210

4510-001

Extracted From Service Manual



LEXMARK[™]

Passion for printing ideas.[™]

4510-001

Edition: June 2001

The following paragraph does not apply to any country where such provisions are inconsistent with local law: LEXMARK INTERNATIONAL, INC. PROVIDES THIS PUBLICATION "AS IS" WITHOUT WARRANTY OF ANY KIND, EITHER EXPRESS OR IMPLIED, INCLUDING, BUT NOT LIMITED TO, THE IMPLIED WARRANTIES OF MERCHANTABILITY OR FITNESS FOR A PARTICULAR PURPOSE. Some states do not allow disclaimer of express or implied warranties in certain transactions; therefore, this statement may not apply to you.

This publication could include technical inaccuracies or typographical errors. Changes are periodically made to the information herein; these changes will be incorporated in later editions. Improvements or changes in the products or the programs described may be made at any time.

Comments may be addressed to Lexmark International, Inc., Department D22A/032-2, 740 West New Circle Road, Lexington, Kentucky 40550, U.S.A or e-mail at ServiceInfoAndTraining@Lexmark.com. Lexmark may use or distribute any of the information you supply in any way it believes appropriate without incurring any obligation to you. You can purchase additional copies of publications related to this product by calling 1-800-553-9727. In other countries, contact your point of purchase.

Lexmark and Lexmark with diamond design are trademarks of Lexmark International, Inc., registered in the United States and/or other countries.

Other trademarks are the property of their respective owners.

© Copyright Lexmark International, Inc. 2001.

All rights reserved.

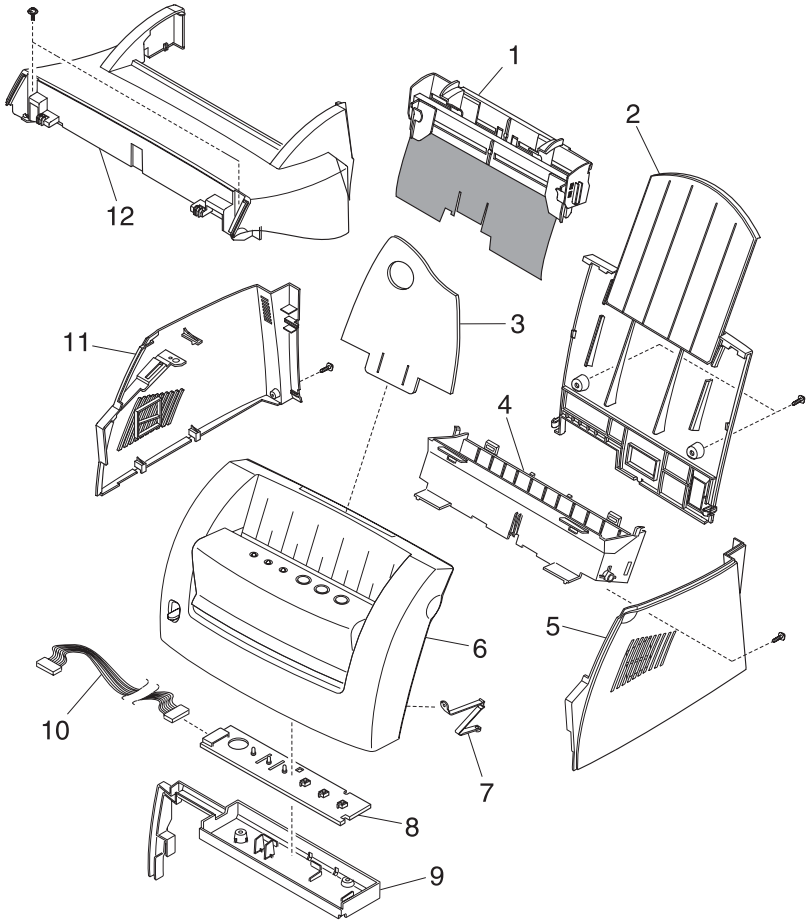
UNITED STATES GOVERNMENT RESTRICTED RIGHTS

This software and documentation are provided with RESTRICTED RIGHTS. Use, duplication or disclosure by the Government is subject to restrictions as set forth in subparagraph (c)(1)(ii) of the Rights in Technical Data and Computer Software clause at DFARS 252.227-7013 and in applicable FAR provisions: Lexmark International, Inc., Lexington, KY 40550.

P/N 12G6119

4. Parts Catalog

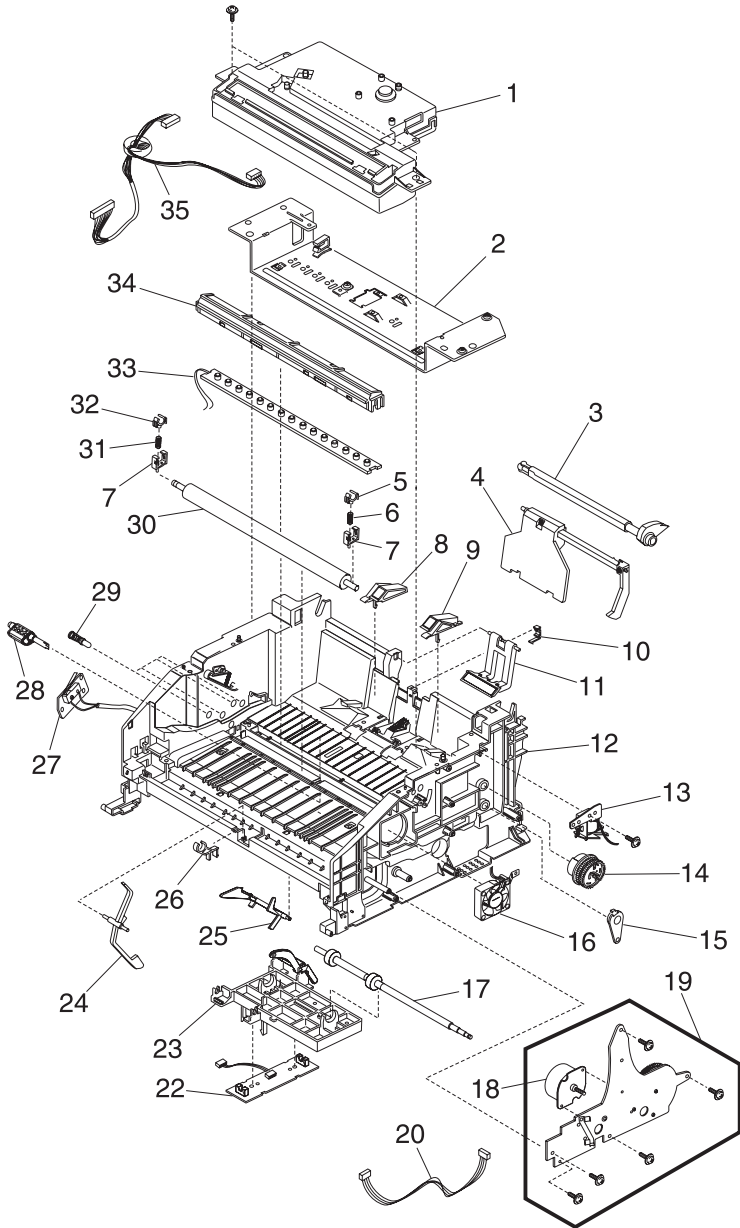
Assembly 1: Covers



Assembly 1: Covers

Asm-Index	Part Number	Unit	Description
1-1	12G6768	1	Tray Assembly, Input
2	12G6765	1	Cover Assembly, Rear
3	12G6763	1	Extender, Paper Exit
4	12G6760	1	Guide, Stacker
5	12G6767	1	Cover, Right
6	12G6762	1	Cover, Front
7	12G6255	1	Support, Cover Open
8	12G6761	1	Panel, Operator
9	12G6796	1	Cover, Operator Panel
10	12G6776	1	Cable, Operator Panel
11	12G6766	1	Cover, Left
12	12G6764	1	Cover, Top

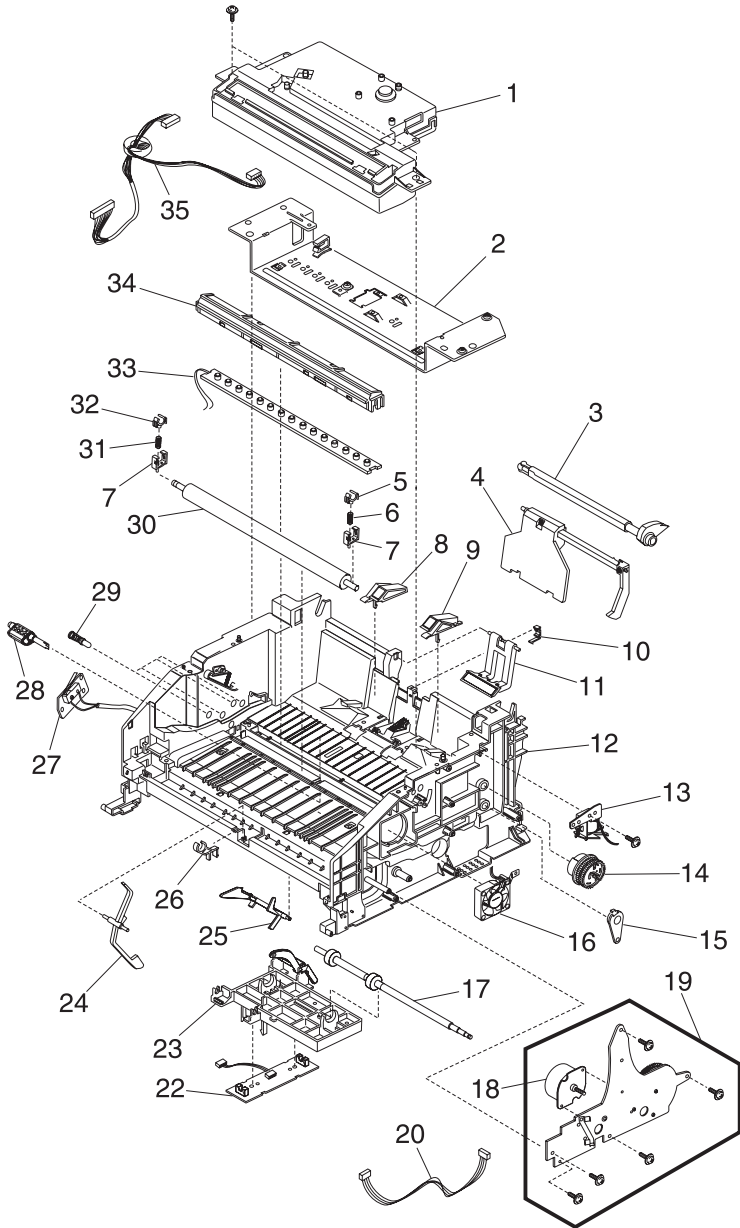
Assembly 2: Engine



Assembly 2: Engine

Asm-Index	Part Number	Unit	Description
2-1	12G6795	1	Printhead Assembly Complete
2	12G6256	1	Plate, Printhead Mount
3	12G6784	1	Shaft, Pick Roller
4	12G6777	1	Plate, Lift
5	12G6259	1	Bushing, Transfer Roll Right
6	12G6262	1	Spring, Bushing, Right
7	12G6269	1	Housing, Transfer Roll Bushing
8	12G6785	1	Pad, Left Separator
9	12G6786	1	Pad, Right Separator
10	12G6778	1	Holder, Pad
11	12G6779	1	Pad, Main Separator
12	12G6769	1	Frame, Lower
13	12G6783	1	Solenoid, Pick Roller Clutch
14	12G6780	1	Clutch Assembly, Pick Roller Gear
15	12G6265	1	Bushing, Shaft
16	12G6771	1	Fan, Cooling
17	12G6266	1	Roller, Paper Feed
18	12G6798	1	Motor, Main
19	12G6794	1	Drive Assembly, Main
20	12G6799	1	Cable, Main Motor
22	12G6782	1	Card Assembly, Input/Exit Sensor
23	12G6267	1	Housing, Paper Feed Roller
24	12G6789	1	Flag, Exit Sensor
25	12G6788	1	Flag, Input Sensor
26	12G6263	1	Holder, Exit Roller
27	12G6257	1	Switch, Cover Open

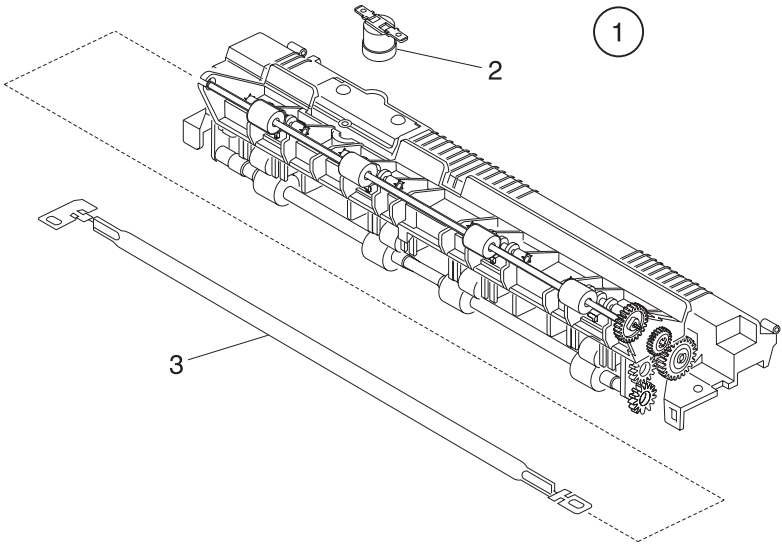
Assembly 2 (cont.): Engine



Assembly 2 (cont.): Engine

Asm-Index	Part Number	Unit	Description
2-28	12G6787	1	Roll Assembly, Pick
29	12G6781	1	Contact Assembly, Toner Cartridge
30	12G6770	1	Roller, Transfer
31	12G6261	1	Spring, Bushing, Left
32	12G6260	1	Bushing, Transfer Roll Left
33	12G6258	1	Card Assembly, Pre-Transfer LED
34	12G6264	1	Cover, PTL Board
35	12G6797	1	Cable, Printhead

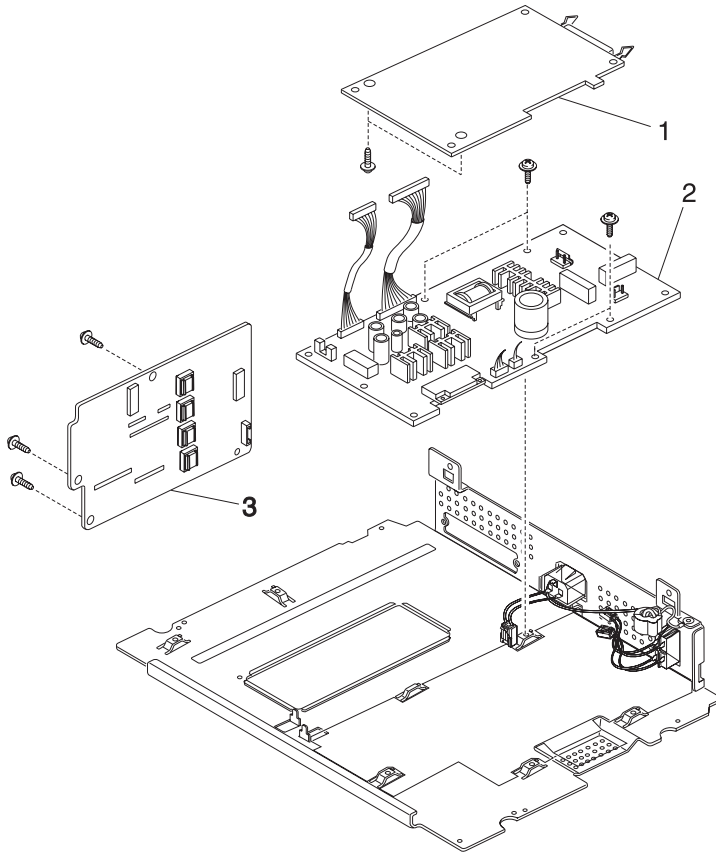
Assembly 3: Fuser



Assembly 3: Fuser

Asm-Index	Part Number	Unit	Description
3-1	12G6772	1	Fuser Assembly, Complete, 220 V
1	12G6773	1	Fuser Assembly, Complete, 110 V
2	12G0075	1	Thermostat (TCO)
3	12G6774	1	Lamp, Fuser, 220 V
3	12G6775	1	Lamp, Fuser, 110 V

Assembly 4: Electronics



Assembly 4: Electronics

Asm-Index	Part Number	Unit	Description
4-1	12G6790	1	Card Assembly, Main
2	12G6791	1	Power Supply, Low Voltage, 220 V
2	12G6792	1	Power Supply, Low Voltage, 110 V
3	12G6793	1	Power Supply, High Voltage