

# Lexmark E240



- Powerful desktop laser printing at up to 27 ppm
- Supports up to 800 sheets of input
- Easily networked in your home or office
- Two-piece supplies system featuring a 30,000-page photoconductor

**LEXMARK**<sup>TM</sup>

# Lexmark E240



- PCL 6 emulation standard supports a broad range of applications
- Compatible in Windows and Mac environments
- Advanced auto-compensator technology for reliable paper handling

## Lexmark E240, E240t, E240n

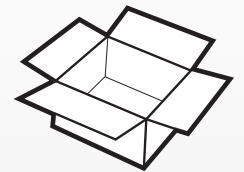
### Product Specifications

<b>Part Number</b>	US/Canada: 28S0200 (E240), 28S0270 (E240t), 28S0400 (E240n)
<b>Product Class</b>	Desktop laser printer
<b>Speed</b>	Up to 27 ppm
<b>Print Quality</b>	1200 x 1200 dpi (E240n only), 2400 image quality, 1200 image quality, 600 x 600 dpi
<b>Time to First Page</b>	As fast as 8 seconds
<b>Processor</b>	366 MHz
<b>Memory (std./max.)</b>	<b>E240, E240t:</b> 16MB/80MB; <b>E240n:</b> 32MB/160MB
<b>Connectivity</b>	
Standard	<b>E240, E240t:</b> Parallel, USB <b>E240n:</b> Parallel, USB, Ethernet
Optional	<b>E240, E240t:</b> Ethernet, Token-Ring, Serial, Wireless <b>E240n:</b> Token-Ring, Serial, Wireless
Network Mgmt. Utility	MarkVision Professional
<b>Operating Systems</b>	Windows, Mac, Novell, UNIX, Linux <b>For a complete list, visit <a href="http://www.lexmark.com">www.lexmark.com</a>.</b>
<b>Printer Languages</b>	<b>E240, E240t:</b> PostScript 3 (Mac only) and PCL 6 emulations <b>E240n:</b> PostScript 3 and PCL 6 emulations
<b>Fonts</b>	<b>E240, E240t:</b> PCL: 17 scalable and 2 bitmapped. Includes OCR-A, OCR-B and Code 3 of 9 bar codes. PostScript: 12 scalable <b>E240n:</b> PCL: 89 scalable and 2 bitmapped. Includes OCR-A, OCR-B and Code 3 of 9 bar codes. PostScript: 89 scalable
<b>Size (WxDxH)</b>	<b>E240, E240n:</b> 15.6 in. x 13.9 in. x 9.8 in. (396 mm x 353 mm x 249 mm) <b>E240t:</b> 15.6 in. x 14.8 in. x 14.9 in (396 mm x 376 mm x 382 mm)
<b>Weight</b>	<b>E240, E240n:</b> 22 lb. (10 kg) <b>E240t:</b> 30.8 lb. (14 kg)
<b>Acoustics</b>	51 dBA printing; 26 dBA idle
<b>Duty Cycle</b>	<b>E240, E240t:</b> 10,000 pages per month; <b>E240n:</b> 15,000 pages per month
<b>Warranty</b>	1-year Advanced Exchange

### Media Specifications

<b>Paper Capacity</b>	<b>E240, E240n</b>	<b>E240t</b>
Standard Input	251 (250+1)	801 (250+550+1)
Maximum Input	801 (250+550+1)	801 (250+550+1)
Standard Output	150 top or 1 rear	150 top or 1 rear
Maximum Output	150 top or 1 rear	150 top or 1 rear
<b>Paper Sources</b>	<b>E240, E240n</b>	<b>E240t</b>
Standard Input	2	3
Maximum Input	3	3
Standard Output	150 top or 1 rear	150 top or 1 rear
Maximum Output	150 top or 1 rear	150 top or 1 rear
<b>Media Types</b>	Paper, paper labels, transparencies, envelopes, card stock	
<b>Media Sizes</b>	Letter, A4, A5, JIS B5, Legal, Executive, Folio, Statement, Universal (3.0 in. x 5.0 in. to 8.5 in. x 14 in.), envelopes (7 <sup>3/4</sup> , 9, 10, C5, B5, DL)	
<b>Media Weights</b>	Plain paper: 60-163 g/m <sup>2</sup> ; card stock: up to 90 lb. Index	

### In the Box



#### Lexmark E240

- Lexmark E240 printer
- 1,500-page Starter Return Program Toner Cartridge<sup>1</sup>
- Photoconductor Kit (up to 30,000 pages)
- Power Cord
- Dust Cover
- Publications CD
- Drivers & Utilities CD
- Setup Sheet
- Supplies Return Program Flyer

#### Lexmark E240t

- Lexmark E240  
**PLUS**
- 550-sheet drawer

#### Lexmark E240n

- Lexmark E240  
**PLUS**
- Ethernet
- Additional 16MB memory

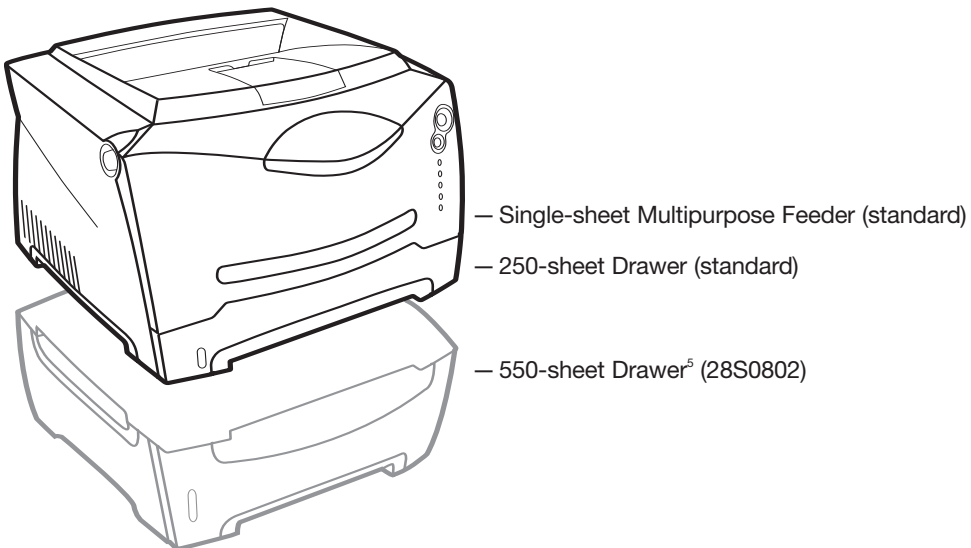
# Lexmark E240

## Supplies & Accessories

Part Number

<b>Supplies</b>	2,500-page Return Program Print Cartridge <sup>1</sup>	24015SA <sup>2</sup>
	2,500-page Print Cartridge <sup>1</sup>	24035SA <sup>2</sup>
	Photoconductor Kit (up to 30,000 pages)	12A8302
<b>Memory Options</b>	32MB SDRAM	16H0057
	64MB SDRAM	16H0058
	128MB SDRAM <sup>3</sup>	16H0059

## Paper Handling Options<sup>4</sup>



## Additional Information

<sup>1</sup> Declared yield value in accordance with ISO/IEC 19752

<sup>2</sup> Designed for use only in the United States and Canada

<sup>3</sup> Available only for E240n

<sup>4</sup> Displays all available options for base model

<sup>5</sup> Standard on E240t

# Lexmark E240

## Additional Accessories

<b>Connectivity</b>	MarkNet X2000 Series External Print Servers <sup>1</sup>	
	X2011e Ethernet 10/100BaseTX	46D0060
	X2012e Ethernet 10/100BaseTX/10Base2	46D0040
	X2031e Ethernet 10/100BaseTX (3 ports)	46D0020
	X2030t Token-Ring (3 ports)	46D0000
	MarkNet N4000 Series External Print Servers <sup>2</sup>	
N4000e Ethernet 10/100BaseTX	14T0030	
Wireless		
N4050e 802.11g Print Server <sup>2</sup>	14T0145	
<b>Attachment Options</b>	50-foot Serial cable	1038693
	6-foot USB cable	12A2405
	10-foot Parallel cable	1329605
	External Serial Adapter	1368705
<b>Print Media</b>	Transparencies – letter (50 sheets)	70X7240

<sup>1</sup> Uses parallel connection

<sup>2</sup> Uses USB connection

Lexmark and Lexmark with diamond design are trademarks of Lexmark International, Inc., registered in the United States and/or other countries. PCL is a registered trademark of Hewlett-Packard Company. The USB-IF logo is a trademark of Universal Serial Bus Implementers Forum, Inc. All other trademarks are the property of their respective owners. © 2005 Lexmark International, Inc. All rights reserved.

71K1180



Printed on recycled paper.

