

Lexmark E332n



- Impressive 1200 x 1200 dpi or 2400 image quality
- Up to 27 pages per minute laser output for crisp black text page after page
- Two-piece imaging system is clean and easy to install and replace
- Network ready and expandable to meet the needs of growing businesses

LEXMARK[™]

Lexmark E332n



- Impressive 1200 x 1200 dpi or 2400 image quality resolution
- Up to 27 pages per minute laser output
- Two-piece imaging system is clean and easy to install and replace
- Network ready and expandable to meet the needs of growing businesses

Lexmark E332n, E332tn

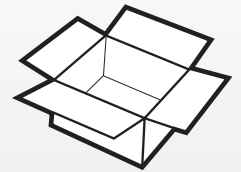
Product Specifications

Part Number	US/Canada: 22S0600 (E332n); 22S0700 (E332tn)
Product Class	Desktop/small workgroup laser printer
Speed	Up to 27 ppm
Resolution	1200 x 1200 dpi, 2400 image quality, 1200 image quality, 600 x 600 dpi
Time to First Page	< 8 seconds
Processor	200 MHz
Memory (std./max.)	32MB/160MB
Connectivity	Standard: Parallel, USB, Ethernet Optional: Serial, Wireless, Token-Ring Network Mgmt. Utility: MarkVision Professional
Operating Systems	Windows, Linux, UNIX, Mac and NetWare For a complete list, visit www.lexmark.com.
Printer Languages	PostScript 3 and PCL 6 emulations and PPDS Migration Tool
Fonts	PCL: 89 scalable and 2 bitmapped. Includes: OCR-A and OCR-B, Code 3 of 9 bar code fonts; PostScript: 89 scalable; PPDS: 39 scalable and 5 bitmapped
Size (WxDxH)	E332n: 15.6 in. x 13.9 in. x 9.8 in. (396.2 mm x 353.1 mm x 248.9 mm) E332tn: 15.6 in. x 14.8 in. x 14.9 in. (396.2 mm x 376.0 mm x 381.9 mm)
Weight	E332n: 22 lb. (9.98 kg) E332tn: 31 lb. (14.1 kg)
Acoustics	52 dBA printing; 30 dBA idle
Duty Cycle	Up to 15,000 pages per month
Warranty	1-year LexExpress SM

Media Specifications

Paper Capacity (sheets)	E332n	E332tn
Standard Input	250+1 manual	800+1 manual
Maximum Input	800+1 manual	800+1 manual
Output	150 top or 1 rear	150 top or 1 rear
Paper Sources	E332n	E332tn
Standard Input	2	3
Maximum Input	3	3
Output	1 top or 1 rear	1 top or 1 rear
Media Types	Plain paper, envelopes, card stock, paper labels, and transparencies	
Media Sizes	Letter, legal, A4, A5, executive, universal (3 x 5 in. to 8.5 x 14 in.), statement, JIS B5, folio, and envelopes (7 ³ / ₄ , 9, 10, DL, C5, B5)	
Media Weights	Plain paper: 16 to 43 lb. (60 to 163 g/m ²); Card stock: up to 90 lb. Index (163 g/m ²)	

In the Box



Lexmark E332n

- Lexmark E332n Printer
- 2,500-page Return Program Print Cartridge
- 30,000-page Photoconductor Kit
- Power Cord
- Dust cover for extended paper tray
- Publications CD
- Drivers, MarkVision and Utilities CD

Lexmark E332tn

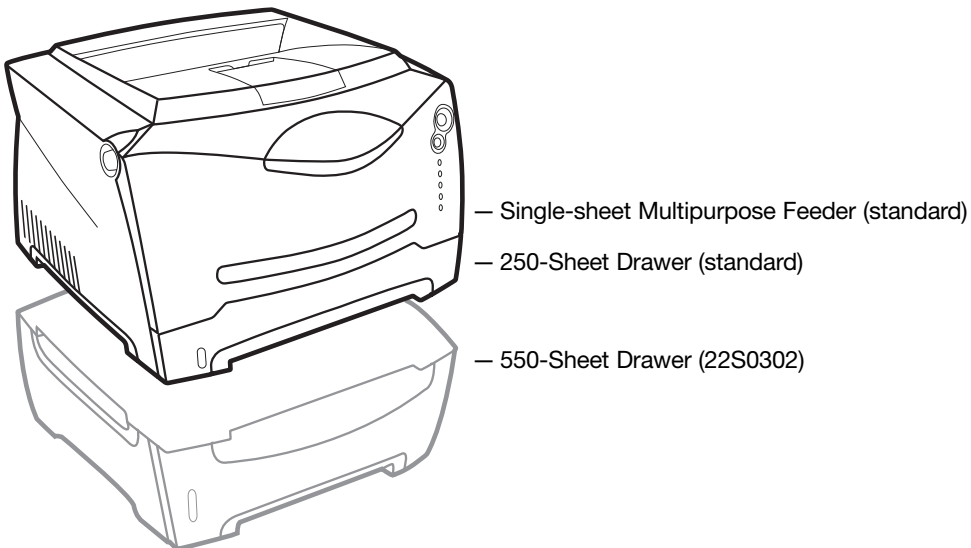
- Lexmark E332n **PLUS**
- Additional 550-sheet drawer

Lexmark E332n

Supplies & Accessories

Supplies¹	6,000-page High Yield Return Program Print Cartridge	12A8405
	6,000-page High Yield Print Cartridge	12A8305
	2,500-page Return Program Print Cartridge	12A8400
	2,500-page Print Cartridge	12A8300
	Photoconductor Kit	12A8302
Memory/Flash Options	16MB SDRAM	16H0056
	32MB SDRAM	16H0057
	64MB SDRAM	16H0058
	128MB SDRAM	16H0059
	16MB Flash Memory Card ²	11K4616
	32MB Flash Memory Card ²	11K4632

Paper Handling Options³



Options not pictured:

250-sheet Tray (22S0300)
550-sheet Tray (22S0301)

Additional Information

¹ Yield is based on approximately 5% print coverage

² One flash memory slot available

³ Displays all available options for **base** model

Lexmark E332n

Additional Accessories

Paper Handling Options	550-sheet Drawer	22S0302
	250-sheet Tray	22S0300
	550-sheet Tray	22S0301
Media	Transparencies (Letter, 50 sheets)	70X7240
	Transparencies (A4, 50 sheets)	12A5010
Font Options	Traditional Chinese Font Card	10G0745
	Simplified Chinese Font Card	10G0744
	Japanese Font Card	10G0746
	Korean Font Card	10G0743
Optra Forms Solutions	Optra Forms	11N0040
	Optra Forms Director	11N0052
	Optra Forms Manager	11N0056
	Optra Forms 16MB Flash Card	10G0747
	Optra Forms 32MB Flash Card	10G0748
	Optra Forms 2-key Security Option	43H5841
	Optra Forms 3-key Security Option	43H5842
Adapters	External Serial Adapter	1368705
	802.11g Wireless Print Adapter ¹	1010042
Cables	Parallel Cable (10 ft.)	1329605
	Serial Cable (50 ft.)	1038693
	USB Cable (2-meter)	12A2405
Connectivity	MarkNet X2011e Ethernet 10/100BaseTX	46D0060
	MarkNet X2012e Ethernet 10/100BaseT/10Base2	46D0040
	MarkNet X2031e Ethernet 10/100BaseTX	46D0020
	MarkNet X2030t Token-ring	46D0000
	Lexmark N4000e Ethernet 10/100BaseTX	14T0030

¹ Requires network connectivity

Lexmark and Lexmark with diamond design are trademarks of Lexmark International, Inc., registered in the United States and/or other countries. LexExpressSM is a service mark of Lexmark International, Inc., registered in the United States and/or other countries. Optra Forms is a trademark of Lexmark International, Inc. Mac OS and the Mac logo are trademarks of Apple Computer, Inc., registered in the U.S. and other countries. PCL is a registered trademark of Hewlett-Packard Company. The USB-IF logos are trademarks of Universal Serial Bus Implementers Forum, Inc. All other trademarks are the property of their respective owners. © 2004. Lexmark International, Inc. All rights reserved.

71K6402



Printed on recycled paper.

