



# **X860de, X862de, X864de**

---

## **User's Guide**

**December 2012**

**[www.lexmark.com](http://www.lexmark.com)**

---

Machine type(s):

7500

Model(s):

432, 632, 832

# Contents

- Safety information.....7**
- Learning about the printer.....9**
  - Thank you for choosing this printer!.....9
  - Finding information about the printer.....9
  - Selecting a location for the printer.....10
  - Printer configurations.....11
  - Basic functions of the scanner.....12
  - Understanding the ADF and scanner glass.....13
  - Understanding the printer control panel.....14
  - Understanding the home screen.....15
  - Using the touch-screen buttons.....17
- Minimizing your printer's environmental impact.....21**
  - Saving paper and toner.....21
  - Saving energy.....22
  - Reducing printer noise.....22
  - Recycling.....23
- Additional printer setup.....25**
  - Installing internal options.....25
  - Installing hardware options.....34
  - Attaching cables.....36
  - Verifying printer setup.....37
  - Setting up the printer software.....38
  - Setting up wireless printing.....40
  - Installing the printer on an Ethernet network.....45
  - Changing port settings after installing a new network Internal Solutions Port.....48
  - Setting up serial printing.....49
- Loading paper and specialty media.....52**
  - Setting the Paper Size and Paper Type.....52
  - Configuring Universal paper settings.....52
  - Loading the standard or optional 500-sheet trays.....53
  - Loading A5 or Statement paper sizes.....55

Loading B5 or Executive paper sizes.....56

Loading the 2000-sheet high capacity feeder.....56

Loading the 2,000-sheet dual input trays.....58

Loading the multipurpose feeder.....60

Loading letter- or A4-size paper in the short-edge orientation.....62

Linking and unlinking trays.....62

**Paper and specialty media guidelines.....65**

Paper guidelines.....65

Storing paper.....67

Supported paper sizes, types, and weights.....67

**Printing.....72**

Printing a document.....72

Printing on specialty media.....73

Printing confidential and other held jobs.....77

Printing from a flash drive.....79

Printing information pages.....80

Canceling a print job.....81

Supported finishing features.....82

Adjusting toner darkness.....84

**Copying.....85**

Making copies.....85

Copying photos.....86

Copying on specialty media.....86

Customizing copy settings.....87

Placing information on copies.....92

Canceling a copy job.....93

Understanding the copy screens and options.....94

Improving copy quality.....97

**E-mailing.....98**

Getting ready to e-mail.....98

Creating an e-mail shortcut.....99

E-mailing a document.....100

Customizing e-mail settings.....101

---

E-mailing color documents.....	102
Canceling an e-mail.....	102
Understanding e-mail options.....	102
<b>Faxing.....</b>	<b>105</b>
Getting printer ready to fax.....	105
Sending a fax.....	110
Creating shortcuts.....	111
Using shortcuts and the address book.....	113
Customizing fax settings.....	114
Canceling an outgoing fax.....	115
Understanding fax options.....	116
Improving fax quality.....	117
Holding and forwarding faxes.....	118
<b>Scanning to an FTP address.....</b>	<b>120</b>
Scanning to an FTP address.....	120
Creating shortcuts.....	121
Understanding FTP options.....	122
Improving FTP quality.....	124
<b>Scanning to a computer or flash drive.....</b>	<b>125</b>
Scanning to a computer.....	125
Scanning to a flash drive.....	126
Understanding scan profile options.....	126
Improving scan quality.....	128
<b>Understanding printer menus.....</b>	<b>129</b>
Menus list.....	129
Paper menu.....	130
Reports menu.....	140
Network/Ports menu.....	142
Security menu.....	151
Settings menu.....	154
Booklet Adjustments menu.....	195
Help menu.....	196

---

<b>Maintaining the printer.....</b>	<b>198</b>
Cleaning the exterior of the printer.....	198
Cleaning the scanner glass.....	199
Adjusting scanner registration.....	199
Storing supplies.....	200
Conserving supplies.....	200
Checking the status of supplies.....	200
Ordering supplies.....	201
Replacing supplies.....	202
Moving the printer.....	209
<b>Administrative support.....</b>	<b>214</b>
Finding advanced networking and administrator information.....	214
Using the Embedded Web Server.....	214
Checking the virtual display.....	214
Checking the device status.....	215
Setting up e-mail alerts.....	215
Viewing reports.....	215
Adjusting the brightness of the display.....	215
Restoring the factory default settings.....	216
<b>Troubleshooting.....</b>	<b>217</b>
Solving basic problems.....	217
Understanding printer messages.....	218
Clearing jams.....	233
Solving printing problems.....	260
Solving copy problems.....	263
Solving scanner problems.....	265
Solving fax problems.....	267
Solving option problems.....	271
Solving paper feed problems.....	274
Solving print quality problems.....	275
Contacting customer support.....	285
<b>Notices.....</b>	<b>287</b>
Product information.....	287


Edition notice.....287  
Power consumption.....291


**Index.....304**

## Safety information


Connect the power cord to a properly grounded electrical outlet that is near the product and easily accessible.


Do not place or use this product near water or wet locations.


 This product uses a ground fault circuit interrupter (GFCI). Monthly testing of the GFCI is recommended.


 **CAUTION—POTENTIAL INJURY:** This product uses a laser. Use of controls or adjustments or performance of procedures other than those specified herein may result in hazardous radiation exposure.

This product uses a printing process that heats the print media, and the heat may cause the media to release emissions. You must understand the section in your operating instructions that discusses the guidelines for selecting print media to avoid the possibility of harmful emissions.

 **CAUTION—POTENTIAL INJURY:** The lithium battery in this product is not intended to be replaced. There is a danger of explosion if a lithium battery is incorrectly replaced. Do not recharge, disassemble, or incinerate a lithium battery. Discard used lithium batteries according to the manufacturer's instructions and local regulations.

 **CAUTION—HOT SURFACE:** The inside of the printer might be hot. To reduce the risk of injury from a hot component, allow the surface to cool before touching.

 **CAUTION—POTENTIAL INJURY:** The printer weighs more than 55 kg (121 lb), and requires at least four persons or a properly rated mechanical handling system to lift it safely.


 **CAUTION—POTENTIAL INJURY:** Before moving the printer, follow these guidelines to avoid personal injury or printer damage:


- Turn the printer off using the power switch, and then unplug the power cord from the wall outlet.
- Disconnect all cords and cables from the printer before moving it.
- Lift the printer off the optional drawer, and set it aside instead of trying to lift the drawer and printer at the same time.

**Note:** Use the handholds located on both sides of the printer to lift it off the optional drawer.


Use only the power cord provided with this product or the manufacturer's authorized replacement.

Use only the telecommunications (RJ-11) cord provided with this product or a 26 AWG or larger replacement when connecting this product to the public switched telephone network.


 **CAUTION—SHOCK HAZARD:** If you are accessing the system board or installing optional hardware or memory devices sometime after setting up the printer, then turn the printer off, and unplug the power cord from the wall outlet before continuing. If you have any other devices attached to the printer, then turn them off as well, and unplug any cables going into the printer.


 **CAUTION—SHOCK HAZARD:** Make sure that all external connections (such as Ethernet and telephone system connections) are properly installed in their marked plug-in ports.


This product is designed, tested, and approved to meet strict global safety standards with the use of specific manufacturer's components. The safety features of some parts may not always be obvious. The manufacturer is not responsible for the use of other replacement parts.

 **CAUTION—POTENTIAL INJURY:** Do not cut, twist, bind, crush, or place heavy objects on the power cord. Do not subject the power cord to abrasion or stress. Do not pinch the power cord between objects such as furniture and walls. If any of these things happen, a risk of fire or electrical shock results. Inspect the power cord regularly for signs of such problems. Remove the power cord from the electrical outlet before inspecting it.

Refer service or repairs, other than those described in the user documentation, to a professional service person.

 **CAUTION—SHOCK HAZARD:** To avoid the risk of electric shock when cleaning the exterior of the printer, unplug the power cord from the wall outlet and disconnect all cables from the printer before proceeding.

 **CAUTION—SHOCK HAZARD:** Do not use the fax feature during a lightning storm. Do not set up this product or make any electrical or cabling connections, such as the fax feature, power cord, or telephone, during a lightning storm.

 **CAUTION—TIPPING HAZARD:** Floor-mounted configurations require additional furniture for stability. You must use either a printer stand or printer base if you are using a high-capacity input tray, a duplex unit and an input option, or more than one input option. If you purchased a multifunction printer (MFP) that scans, copies, and faxes, you may need additional furniture. For more information, see [www.lexmark.com/multifunctionprinters](http://www.lexmark.com/multifunctionprinters).

**SAVE THESE INSTRUCTIONS.**



## Learning about the printer


### Thank you for choosing this printer!

We've worked hard to make sure it will meet your needs.

To start using your new printer right away, use the setup materials that came with the printer, and then skim the *User's Guide* to learn how to perform basic tasks. To get the most out of your printer, read the *User's Guide* carefully, and make sure you check the latest updates on our Web site.

We're committed to delivering performance and value with our printers, and we want to make sure you're satisfied. If you do encounter any problems along the way, one of our knowledgeable support representatives will be delighted to help you get back on track fast. And if you find something we could do better, please let us know. After all, you are the reason we do what we do, and your suggestions help us do it better.

### Finding information about the printer

What are you looking for?	Find it here
Initial setup instructions: <ul style="list-style-type: none"> <li>• Connecting the printer</li> <li>• Installing the printer software</li> </ul>	Setup documentation—The setup documentation came with the printer and is also available on the Lexmark Web site at <a href="http://support.lexmark.com">http://support.lexmark.com</a> .
Additional setup and instructions for using the printer: <ul style="list-style-type: none"> <li>• Selecting and storing paper and specialty media</li> <li>• Loading paper</li> <li>• Configuring printer settings</li> <li>• Viewing and printing documents and photos</li> <li>• Setting up and using the printer software</li> <li>• Configuring the printer on a network</li> <li>• Caring for and maintaining the printer</li> <li>• Troubleshooting and solving problems</li> </ul>	<i>User's Guide</i> and <i>Quick Reference Guide</i> —The guides are available on the <i>Software and Documentation CD</i> . For updates, visit our Web site at <a href="http://support.lexmark.com">http://support.lexmark.com</a> .
Instructions for: <ul style="list-style-type: none"> <li>• Connecting the printer to an Ethernet network</li> <li>• Troubleshooting printer connection problems</li> </ul>	<i>Networking Guide</i> —Open the <i>Software and Documentation CD</i> , and then look for <i>Printer and Software Documentation</i> under the Pubs folder. From the list of publications, click the <b>Networking Guide</b> link.
Help using the printer software	Windows or Mac Help—Open a printer software program or application, and then click <b>Help</b> .  Click  to view context-sensitive information.  <b>Notes:</b> <ul style="list-style-type: none"> <li>• Help is automatically installed with the printer software.</li> <li>• The printer software is located in the printer program folder or on the desktop, depending on your operating system.</li> </ul>

What are you looking for?	Find it here
<p>The latest supplemental information, updates, and customer support:</p> <ul style="list-style-type: none"> <li>• Documentation</li> <li>• Driver downloads</li> <li>• Live chat support</li> <li>• E-mail support</li> <li>• Voice support</li> </ul>	<p>Lexmark Support Web site—  <a href="http://support.lexmark.com">http://support.lexmark.com</a></p> <p><b>Note:</b> Select your country or region, and then select your product to view the appropriate support site.</p> <p>Support telephone numbers and hours of operation for your country or region can be found on the Support Web site or on the printed warranty that came with your printer.</p> <p>Record the following information (located on the store receipt and at the back of the printer), and have it ready when you contact customer support so that they may serve you faster:</p> <ul style="list-style-type: none"> <li>• Machine Type number</li> <li>• Serial number</li> <li>• Date purchased</li> <li>• Store where purchased</li> </ul>
<p>Warranty information</p>	<p>Warranty information varies by country or region:</p> <ul style="list-style-type: none"> <li>• <b>In the US</b>—See the Statement of Limited Warranty included with this printer, or at <a href="http://support.lexmark.com">http://support.lexmark.com</a>.</li> <li>• <b>In other countries and regions</b>—See the printed warranty that came with your printer.</li> </ul>

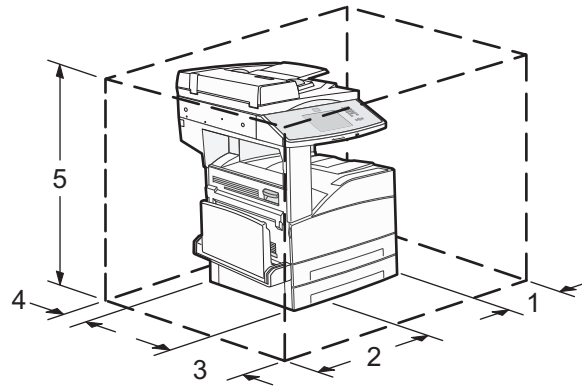
## Selecting a location for the printer



**CAUTION—POTENTIAL INJURY:** The printer weighs more than 55 kg (121 lb), and requires at least four persons or a properly rated mechanical handling system to lift it safely.

When selecting a location for the printer, leave enough room to open trays, covers, and doors. If you plan to install any options, then leave enough room for them also. It is important to:

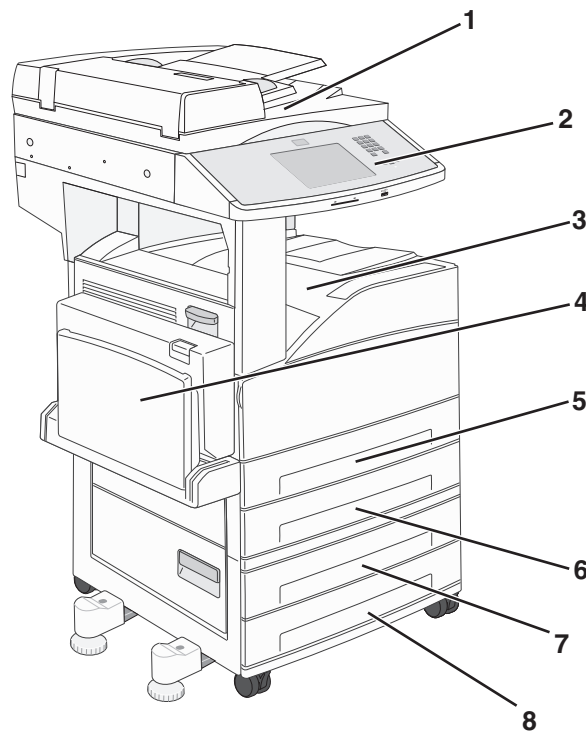
- Make sure airflow in the room meets the latest revision of the ASHRAE 62 standard.
- Provide a flat, sturdy, and stable surface.
- Keep the printer:
  - Away from the direct airflow of air conditioners, heaters, or ventilators
  - Free from direct sunlight, humidity extremes, or temperature fluctuations
  - Clean, dry, and free of dust
- Allow the following recommended amount of space around the printer for proper ventilation:



1	460 mm (18.1 in.)
2	640 mm (25.2 in.)
3	460 mm (18.1 in.)
4	200 mm (7.9 in.)
5	1724 mm (67.9 in.)

## Printer configurations

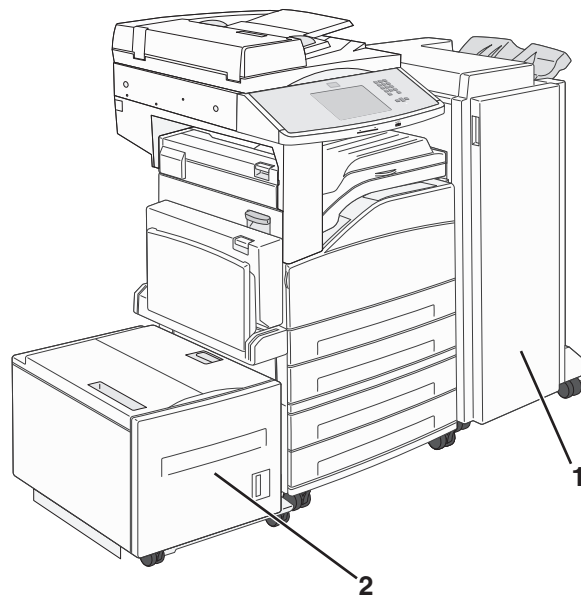
### Basic model



1	Scanner
2	Printer control panel

3	Standard exit bin
4	Multipurpose feeder
5	Tray 1 (standard tray)
6	Tray 2
7	Tray 3
8	Tray 4

## Configured model



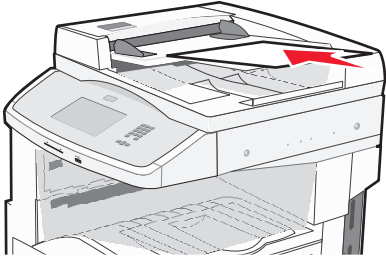
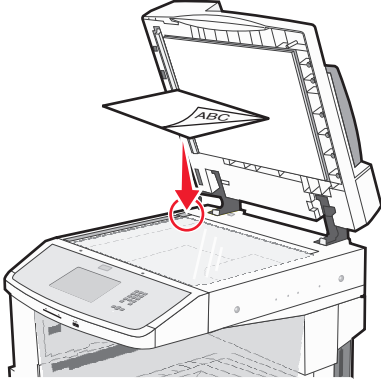
1	Finisher
2	High capacity feeder

## Basic functions of the scanner

The scanner provides copy, fax, and scan-to-network capability for large workgroups. You can:

- Make quick copies, or change the settings on the printer control panel to perform specific copy jobs.
- Send a fax using the printer control panel.
- Send a fax to multiple fax destinations at the same time.
- Scan documents and send them to your computer, an e-mail address, a flash drive, or an FTP destination.
- Scan documents and send them to another printer (PDF by way of FTP).

## Understanding the ADF and scanner glass

Automatic Document Feeder (ADF)	Scanner glass
 <p data-bbox="149 642 612 674">Use the ADF for multiple-page documents.</p>	 <p data-bbox="630 768 1409 858">Use the scanner glass for single pages, small items (such as postcards or photos), transparencies, photo paper, or thin media (such as magazine clippings).</p>

You can use the ADF or the scanner glass to scan documents.

### Using the ADF

The Automatic Document Feeder (ADF) can scan multiple pages, including duplex pages. When using the ADF:

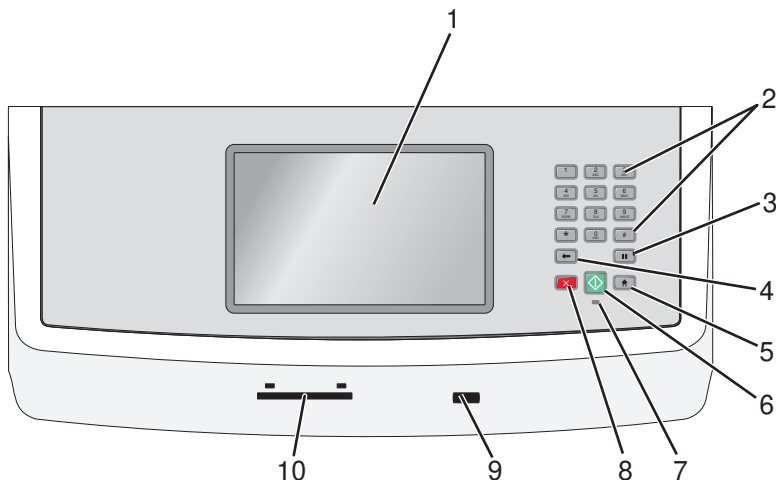
- Load the document into the ADF faceup, short edge first.
- Load up to 50 sheets of plain paper in the ADF input tray.
- Scan sizes from 148 x 210 mm (5.8 x 8.3 in.) to 215.9 x 355.6 mm (8.5 x 14 in.).
- Scan documents with mixed page sizes (letter and legal).
- Scan media weights from 52 to 120 g/m<sup>2</sup> (14 to 32 lb).
- Do not load postcards, photos, small items, transparencies, photo paper, or thin media (such as magazine clippings) into the ADF. Place these items on the scanner glass.



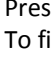
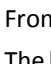
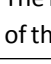

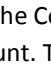
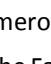
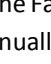
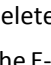
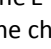

### Using the scanner glass







The scanner glass can be used to scan or copy single pages or book pages. When using the scanner glass:

- Place a document facedown on the scanner glass in the upper left corner.
- Scan or copy documents up to 215.9 x 355.6 mm (8.5 x 14 in.).
- Copy books up to 25.4 mm (1 in.) thick.

## Understanding the printer control panel

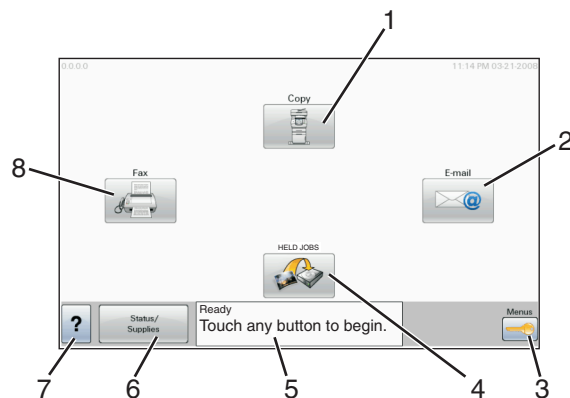



Item	Description	
1	Display	View scanning, copying, faxing, and printing options as well as status and error messages.
2	Keypad 	Enter numbers, letters, or symbols on the display.
3	Dial Pause 	<ul style="list-style-type: none"> <li>Press  to cause a two- or three-second dial pause in a fax number. In the Fax To field, a Dial Pause is represented by a comma (,).</li> <li>From the home screen, press  to redial a fax number.</li> <li>The button functions only within the Fax menu or with fax functions. When outside of the Fax menu, fax function, or home screen, pressing  causes an error beep.</li> </ul>
4	Back 	<p>In the Copy menu, press  to delete the right-most digit of the value in the Copy Count. The default value of 1 appears if the entire number is deleted by pressing  numerous times.</p> <p>In the Fax Destination List, press  to delete the right-most digit of a number entered manually. You can also press  to delete an entire shortcut entry. Once an entire line is deleted, another press of  causes the cursor to move up one line.</p> <p>In the E-mail Destination List, press  to delete the character to the left of the cursor. If the character is in a shortcut, then the shortcut is deleted.</p>

Item		Description
5	Home 	Press  to return to the home screen.
6	Start 	<ul style="list-style-type: none"> <li>• Press  to initiate the current job indicated on the display.</li> <li>• From the home screen, press  to start a copy job with the default settings.</li> <li>• If pressed while a job is scanning, the button has no effect.</li> </ul>
7	Indicator light	<ul style="list-style-type: none"> <li>• <b>Off</b>—The power is off.</li> <li>• <b>Blinking green</b>—The printer is warming up, processing data, or printing.</li> <li>• <b>Solid green</b>—The printer is on, but idle.</li> <li>• <b>Blinking red</b>—Operator intervention is needed.</li> </ul>
8	Stop 	Stops all printer activity A list of options is offered once <b>Stopped</b> appears on the display.
9	Front USB port	Insert a USB flash drive to send data to the printer.
10	Common Access Card reader	An option that limits the use of certain printer functions to authenticated users. A common access card is required for use.

## Understanding the home screen

After the printer is turned on and a short warm-up period occurs, the display shows the following basic screen which is referred to as the home screen. Use the home screen buttons to initiate an action such as copying, faxing, or scanning; to open the menu screen; or to respond to messages.



Display item		Description
1	Copy	Opens the Copy menu <b>Note:</b> From the home screen, you can also access the Copy menu by pressing a number on the keypad.
2	E-mail	Opens the E-mail menu
3	Menus	Opens the menu. These menu are available only when the printer is in the <b>Ready</b> state.
4	FTP	Opens the File Transfer Protocol (FTP) menu <b>Note:</b> This function must be set up by your system support person. Once it is set up, it appears as a display item.
5	Status message bar	<ul style="list-style-type: none"> <li>Shows the current printer status such as <b>Ready</b> or <b>Busy</b>.</li> <li>Shows printer conditions such as <b>Toner Low</b>.</li> <li>Shows intervention messages to give instructions on what you should do so the printer can continue processing, such as <b>Close door</b> or <b>Insert print cartridge</b>.</li> </ul>
6	Status/Supplies	Appears on the display whenever the printer status includes a message requiring intervention. Touch this button to access the messages screen for more information on the message, including how to clear it.
7		Opens a context-sensitive Help feature within the display touch screens
8	Fax	Opens the Fax menu

Other buttons that may appear on the home screen:

Display item	Function
Release Held Faxes	If this button is shown, then there are held faxes with a scheduled hold time previously set. To access the list of held faxes, touch this button.
Search Held Jobs	Searches on any of the following items and returns search results: <ul style="list-style-type: none"> <li>User names for held or confidential print jobs</li> <li>Job names for held jobs, excluding confidential print jobs</li> <li>Profile names</li> <li>Bookmark container or job names</li> <li>USB container or job names for supported extensions only</li> </ul>
Held Jobs	Opens a screen containing all the held jobs
Lock Device	This button appears on the screen when the printer is unlocked and Device Lockout Personal Identification Number (PIN) has been set. Touching this button opens a PIN entry screen. Entering the correct PIN locks the printer control panel (touch screen and hard buttons).

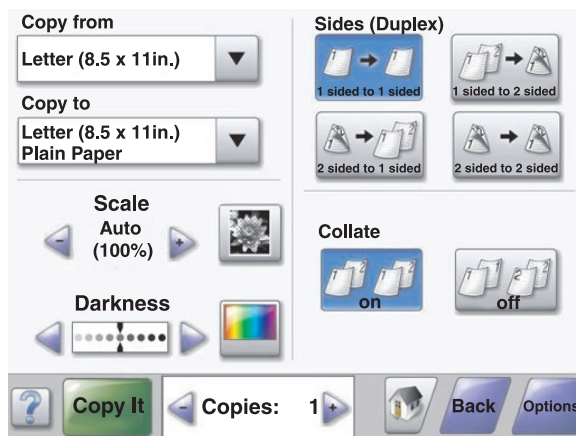



Display item	Function
Unlock Device	<p>This button appears on the screen when the printer is locked. The printer control panel buttons and shortcuts cannot be used while it appears.</p> <p>Touching this button opens a PIN entry screen. Entering the correct PIN unlocks the printer control panel (touch screen and hard buttons).</p>
Cancel Jobs	<p>Opens the Cancel Jobs screen. The Cancel Jobs screen shows three headings: Print, Fax, and Network.</p> <p>The following items are available under the Print, Fax, and Network headings:</p> <ul style="list-style-type: none"> <li>• Print job</li> <li>• Copy job</li> <li>• Fax profile</li> <li>• FTP</li> <li>• E-mail send</li> </ul> <p>Each heading has a list of jobs shown in a column under it which can show only three jobs per screen. Each job appears as a button which you can touch to access information about the job. If more than three jobs exist in a column, then an arrow appears enabling you to scroll through the jobs.</p>








## Using the touch-screen buttons

**Note:** Depending on your options and administrative setup, your screens and buttons may vary from those shown.


### Sample touch screen










Button	Function
	Returns to the home screen


Button	Function
Scroll down 	Opens a drop-down list
Left scroll decrease 	Scrolls to another value in decreasing order
Right scroll increase 	Scrolls to another value in increasing order
Left arrow 	Scrolls left
Right arrow 	Scrolls right
Submit 	Saves a value as the new user default setting
Back 	Navigates back to the previous screen

## Other touch-screen buttons

Button	Function
Down arrow 	Moves down to the next screen

Button	Function
Up arrow 	Moves up to the next screen
Unselected radio button 	This is an unselected radio button. The radio button is gray to show it is unselected.
Selected radio button 	This is a selected radio button. The radio button is blue to show it is selected.
Cancel Jobs 	Opens the Cancel Jobs screen. The Cancel Jobs screen shows three headings: Print, Fax, and Network. The following items are available under the Print, Fax, and Network headings: <ul style="list-style-type: none"> <li>• Print job</li> <li>• Copy job</li> <li>• Fax profile</li> <li>• FTP</li> <li>• E-mail send</li> </ul> Each heading has a list of jobs shown in a column under it which can show only three jobs per screen. Each job appears as a button which you can touch to access information about the job. If more than three jobs exist in a column, then an arrow appears enabling you to scroll through the jobs.
Continue 	Touch this button when more changes need to be made for a job or after clearing a paper jam.
Cancel 	<ul style="list-style-type: none"> <li>• Cancels an action or a selection</li> <li>• Cancels out of a screen and returns to the previous screen</li> </ul>
Select 	Selects a menu or menu item

## Features

Feature	Description
<p>Menu trail line: <u>Menus</u> &gt; <u>Settings</u> &gt; <u>Copy Settings</u> &gt; Number of Copies</p>	<p>A Menu trail line is located at the top of each menu screen. This feature acts as a trail, showing the path taken to arrive at the current menu. It gives the exact location within the menus.</p> <p>Touch any of the underlined words to return to that menu or menu item.</p> <p>The Number of Copies is not underlined since this is the current screen. If you touch an underlined word on the Number of Copies screen before the Number of Copies is set and saved, then the selection is not saved, and it does not become the user default setting.</p>
<p>Attendance message alert</p> 	<p>If an attendance message occurs which closes a function, such as copy or fax, then a solid red dot appears over the function button on the home screen. This indicates that an attendance message exists.</p>

# Minimizing your printer's environmental impact

Lexmark is committed to environmental sustainability and is continually improving its printers to reduce their impact on the environment. We design with the environment in mind, engineer our packaging to reduce materials, and provide collection and recycling programs. For more information, see:

- The Notices chapter
- The Environmental Sustainability section of the Lexmark Web site at [www.lexmark.com/environment](http://www.lexmark.com/environment)
- The Lexmark recycling program at [www.lexmark.com/recycling](http://www.lexmark.com/recycling)

By selecting certain printer settings or tasks, you may be able to reduce your printer's impact even further. This chapter outlines the settings and tasks that may yield a greater environmental benefit.

## Saving paper and toner

### Using recycled paper and other office papers

As an environmentally conscious company, Lexmark supports the use of recycled office paper produced specifically for use in laser (electrophotographic) printers. In 1998, Lexmark presented to the US government a study demonstrating that recycled paper produced by major mills in the US fed as well as non-recycled paper. However, no blanket statement can be made that *all* recycled paper will feed well.

Lexmark consistently tests its printers with recycled paper (20–100% post-consumer waste) and a variety of test paper from around the world, using chamber tests for different temperature and humidity conditions. Lexmark has found no reason to discourage the use of today's recycled office papers, but generally the following property guidelines apply to recycled paper.

- Low moisture content (4–5%)
- Suitable smoothness (100–200 Sheffield units, or 140–350 Bendtsen units, European)

**Note:** Some much smoother papers (such as premium 24 lb laser papers, 50–90 Sheffield units) and much rougher papers (such as premium cotton papers, 200–300 Sheffield units) have been engineered to work very well in laser printers, despite surface texture. Before using these types of paper, consult your paper supplier.

- Suitable sheet-to-sheet coefficient of friction (0.4–0.6)
- Sufficient bending resistance in the direction of feed

Recycled paper, paper of lower weight (<60 g/m<sup>2</sup> [16 lb bond]) and/or lower caliper (<3.8 mils [0.1 mm]), and paper that is cut grain-short for portrait (or short-edge) fed printers may have lower bending resistance than is required for reliable paper feeding. Before using these types of paper for laser (electrophotographic) printing, consult your paper supplier. Remember that these are general guidelines only and that paper meeting these guidelines may still cause paper feeding problems in any laser printer (for example, if the paper curls excessively under normal printing conditions).

## Saving energy

### Adjusting Power Saver

To save energy, you can decrease the number of minutes before the printer enters Power Saver mode.

Available settings range from 1–240 minutes.



Factory default setting	Printer machine type
1 minute	X860
5 minutes	X862
60 minutes	X864

### Using the Embedded Web Server

- 1 Type the printer IP address in the address field of your Web browser.
 

**Note:** If you do not know the IP address of the printer, then print a network setup page or the menu settings pages and locate the IP address in the TCP/IP section.
- 2 Click **Settings**, and then click **General Settings**.
- 3 Click **Timeouts**.
- 4 In the Power Saver field, enter the number of minutes you want the printer to wait before it enters Power Saver mode.
- 5 Click **Submit**.

### Using the printer control panel

- 1 Make sure the printer is on and **Ready** appears.
- 2 On the home screen, touch .
- 3 Touch **Settings**.
- 4 Touch **General Settings**.
- 5 Touch the arrows until **Timeouts** appears.
- 6 Touch **Timeouts**.
- 7 Touch the arrows next to **Power Saver Mode** to select the number of minutes you want the printer to wait before it enters Power Saver mode.
- 8 Touch **Submit**.
- 9 Touch .


## Reducing printer noise

Use Quiet Mode to reduce the printer noise.

**Note:** See the table for the multiple settings that change when you select a Quiet Mode setting.

Choose	To
On	Reduce printer noise. <ul style="list-style-type: none"> <li>• Print jobs will process at one-half the normal processing speed.</li> <li>• Printer engine motors do not start until a job is ready to print. There will be a short delay before the first page is printed.</li> <li>• Fans run at reduced speed or are turned off.</li> <li>• If your printer has faxing capability, fax sounds are reduced or disabled, including those made by the fax speaker and ringer. The fax is placed in standby mode.</li> <li>• The alarm control and cartridge alarm sounds are turned off.</li> <li>• The printer will ignore the Advance Start command.</li> </ul>
Off	Use factory default settings. This setting supports the performance specifications for your printer.

To select a Quiet Mode setting:

- 1 On the home screen, touch .
- 2 Touch **Settings**.
- 3 Touch **General Settings**.
- 4 Touch **Quiet Mode**.
- 5 Touch the arrows to select a setting.
- 6 Touch **Submit**.  
**Submitting changes** appears.

## Recycling

Lexmark provides collection programs and environmentally progressive approaches to recycling. For more information, see:

- The Notices chapter
- The Environmental Sustainability section of the Lexmark Web site at [www.lexmark.com/environment](http://www.lexmark.com/environment)
- The Lexmark recycling program at [www.lexmark.com/recycle](http://www.lexmark.com/recycle)

### Recycling Lexmark products

To return Lexmark products for recycling:

- 1 Visit our Web site at [www.lexmark.com/recycle](http://www.lexmark.com/recycle).
- 2 Find the product type you want to recycle, and then select your country or region from the list.

**3** Follow the instructions on the computer screen.

**Note:** Printer supplies and hardware not listed in a Lexmark collection program may be recycled through your local recycling center. Contact your local recycling center to determine the items they accept.

## **Returning Lexmark cartridges for reuse or recycling**

The Lexmark Cartridge Collection Program diverts millions of Lexmark cartridges from landfills annually by making it both easy and free for Lexmark customers to return used cartridges to Lexmark for reuse or recycling. One hundred percent of the empty cartridges returned to Lexmark are either reused or demanufactured for recycling. Boxes used to return the cartridges are also recycled.


To return Lexmark cartridges for reuse or recycling, follow the instructions that came with your printer or cartridge and use the prepaid shipping label. You can also do the following:

- 1** Visit our Web site at [www.lexmark.com/recycle](http://www.lexmark.com/recycle).
- 2** From the Toner Cartridges section, select your country or region from the list.
- 3** Follow the instructions on the computer screen.



# Additional printer setup

## Installing internal options

 **CAUTION—SHOCK HAZARD:** If you are accessing the system board or installing optional hardware or memory devices sometime after setting up the printer, then turn the printer off, and unplug the power cord from the wall outlet before continuing. If you have any other devices attached to the printer, then turn them off as well, and unplug any cables going into the printer.

You can customize your printer connectivity and memory capacity by adding optional cards.

## Available internal options

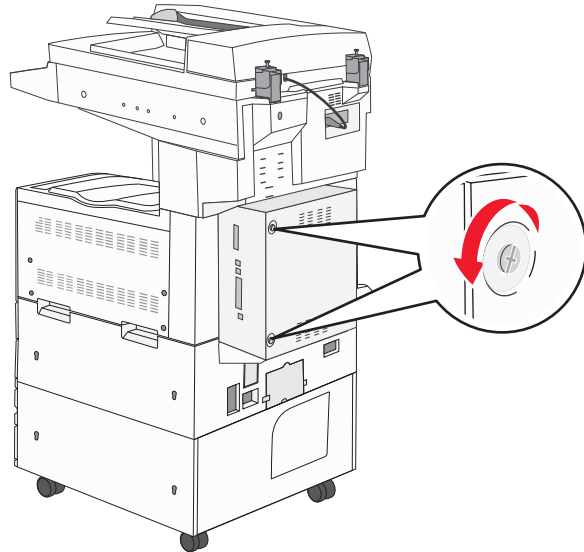
- Memory cards
  - Printer memory
  - Flash memory
  - Fonts
- Firmware cards
  - Bar Code and Forms
  - IPDS and SCS/TNe
  - PrintCryption™
  - PRESCRIBE
- Printer hard disk
- Lexmark™ Internal Solutions Ports (ISP)
  - RS-232-C Serial ISP
  - Parallel 1284-B ISP
  - MarkNet™ N8150802.11 b/g/n Wireless ISP
  - MarkNet N8130 10/100 Fiber ISP
  - MarkNet N8120 10/100/1000 Ethernet ISP
- MarkNet N8110 V-34 Fax Card

## Accessing the system board to install internal options

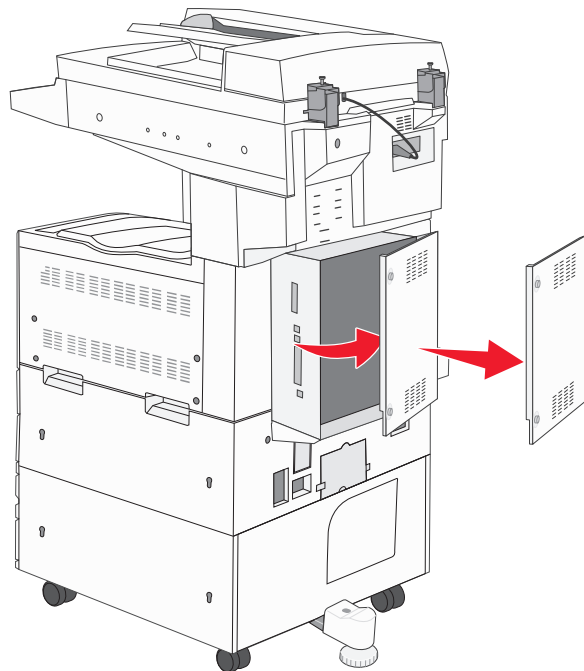
**Note:** This task requires a flathead screwdriver.

**⚠ CAUTION—SHOCK HAZARD:** If you are accessing the system board or installing optional hardware or memory devices sometime after setting up the printer, then turn the printer off, and unplug the power cord from the wall outlet before continuing. If you have any other devices attached to the printer, then turn them off as well, and unplug any cables going into the printer.

- 1 Loosen the screw(s) on the access panel located on the back of the printer.

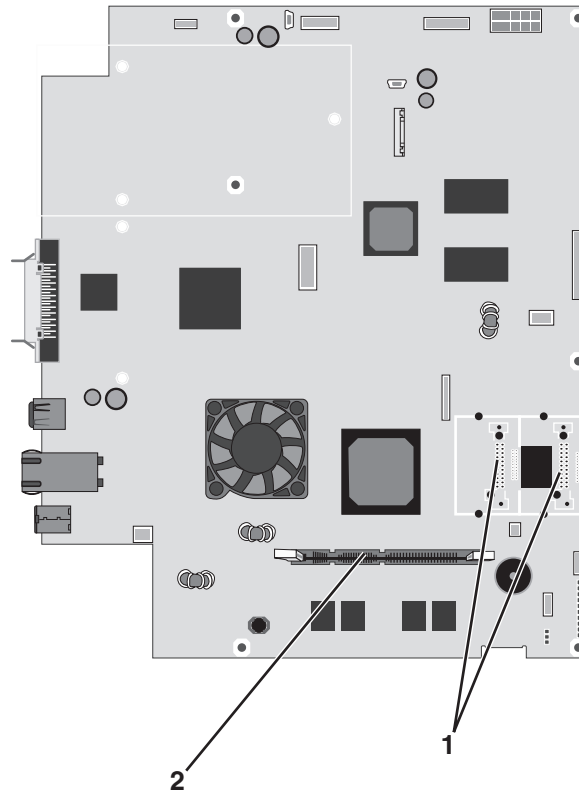


- 2 Remove the panel from the printer, and set it aside.



3 Use the illustration below to locate the appropriate connector.

**Warning—Potential Damage:** System board electronic components are easily damaged by static electricity. Touch something metal on the printer before touching any system board electronic components or connectors.



1	Flash memory and firmware card connectors
2	Memory card connector

## Installing a memory card

**CAUTION—SHOCK HAZARD:** If you are accessing the system board or installing optional hardware or memory devices sometime after setting up the printer, then turn the printer off, and unplug the power cord from the wall outlet before continuing. If you have any other devices attached to the printer, then turn them off as well, and unplug any cables going into the printer.

**Warning—Potential Damage:** System board electronic components are easily damaged by static electricity. Touch something metal on the printer before touching any system board electronic components or connectors.

An optional memory card can be purchased separately and attached to the system board. To install the memory card:

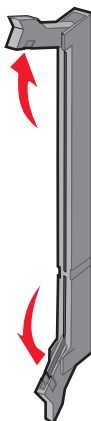
1 Access the system board.

**Note:** This task requires a flathead screwdriver.

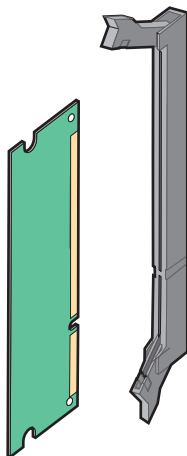
2 Unpack the memory card.

**Note:** Avoid touching the connection points along the edge of the card.

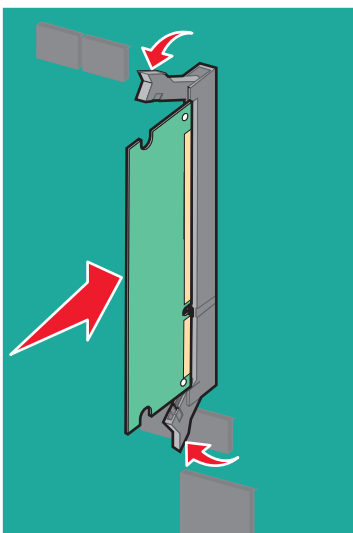
3 Open the memory card connector latches.



4 Align the notch on the memory card with the ridge on the connector.



5 Push the memory card straight into the connector until it *clicks* into place.



6 Reattach the system board cover.

## Installing a flash memory or firmware card

The system board has two connections for an optional flash memory or firmware card. Only one of each may be installed, but the connectors are interchangeable.

**CAUTION—SHOCK HAZARD:** If you are accessing the system board or installing optional hardware or memory devices sometime after setting up the printer, then turn the printer off, and unplug the power cord from the wall outlet before continuing. If you have any other devices attached to the printer, then turn them off as well, and unplug any cables going into the printer.

**Warning—Potential Damage:** System board electronic components are easily damaged by static electricity. Touch something metal on the printer before touching any system board electronic components or connectors.

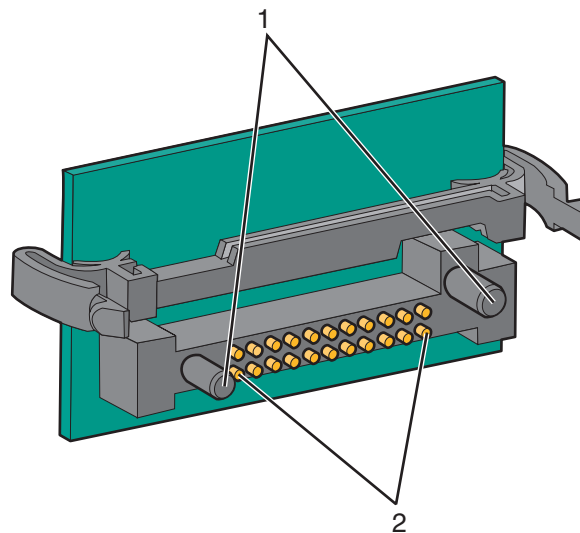
- 1 Access the system board.

**Note:** This task requires a flathead screwdriver.

- 2 Unpack the card.

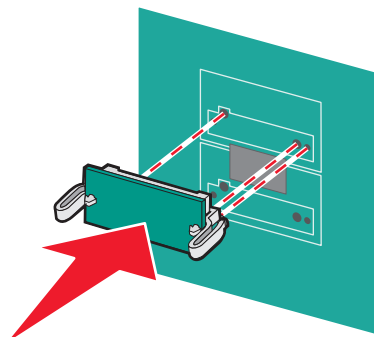
**Note:** Avoid touching the connection points along the edge of the card.

- 3 Holding the card by its sides, align the plastic pins on the card with the holes on the system board.



1	Plastic pins
2	Metal pins

- 4 Push the card firmly into place.



**Notes:**

- The entire length of the connector on the card must touch and be flush against the system board.
- Be careful not to damage the connectors.

5 Reattach the system board cover.

## Installing an internal print server or port interface card

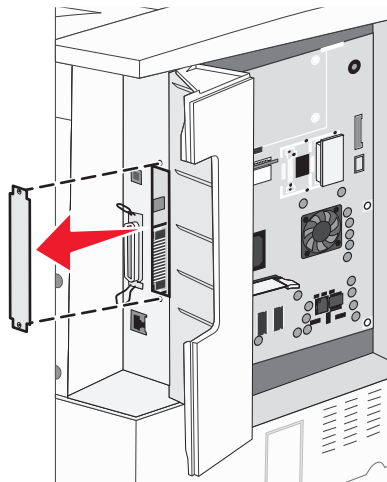
**CAUTION—SHOCK HAZARD:** If you are accessing the system board or installing optional hardware or memory devices sometime after setting up the printer, then turn the printer off, and unplug the power cord from the wall outlet before continuing. If you have any other devices attached to the printer, then turn them off as well, and unplug any cables going into the printer.

**Warning—Potential Damage:** System board electrical components are easily damaged by static electricity. Touch something metal on the printer before touching any system board electronic components or connectors.

**Note:** A #2 Phillips screwdriver is needed to install an internal print server or port interface card.

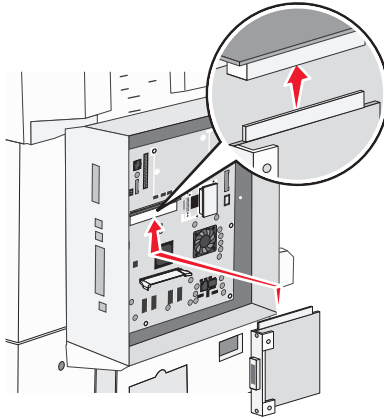
An internal print server allows connection from the printer to the *local area network* (LAN). An optional port interface card expands the ways the printer can connect to a computer or external print server.

- 1 Access the system board.
- 2 Unpack the internal print server or port interface card.
- 3 Remove the metal plate on the system board tray that covers the connector slot and save the metal plate.

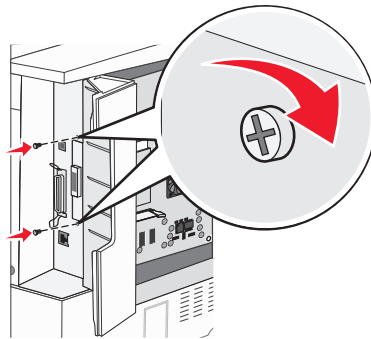


- 4 Align the connector on the internal print server or port interface card with the connector on the system board.

**Note:** The cable connectors on the side of the optional card must fit through the opening in the faceplate.



- 5 Push the internal print server or port interface card firmly into the card connector on the system board.
- 6 Insert a screw into the hole on the right side of the connector slot. Gently tighten the screw to secure the card to the system board tray.



- 7 Reinstall the system board.

## Installing a printer hard disk

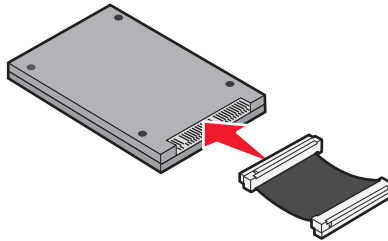
**CAUTION—SHOCK HAZARD:** If you are accessing the system board or installing optional hardware or memory devices sometime after setting up the printer, then turn the printer off, and unplug the power cord from the wall outlet before continuing. If you have any other devices attached to the printer, then turn them off as well, and unplug any cables going into the printer.

**Warning—Potential Damage:** System board electrical components and hard disks are easily damaged by static electricity. Touch something metal on the printer before touching any system board electronic components, connectors, or the hard disk.

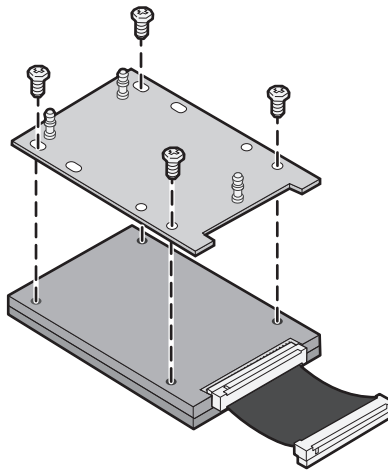
**Note:** A #2 Phillips screwdriver is needed to attach the hard disk to the mounting plate.

- 1 Access the system board.
- 2 Remove the mounting plate, hard disk, ribbon cable, and attachment screws from the package.

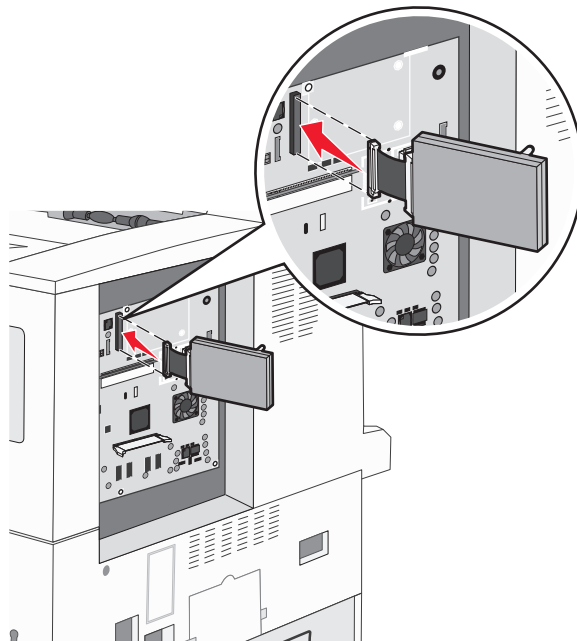
**3** Attach the ribbon cable to the hard disk.



**4** Attach the mounting plate to the hard disk with the screws.

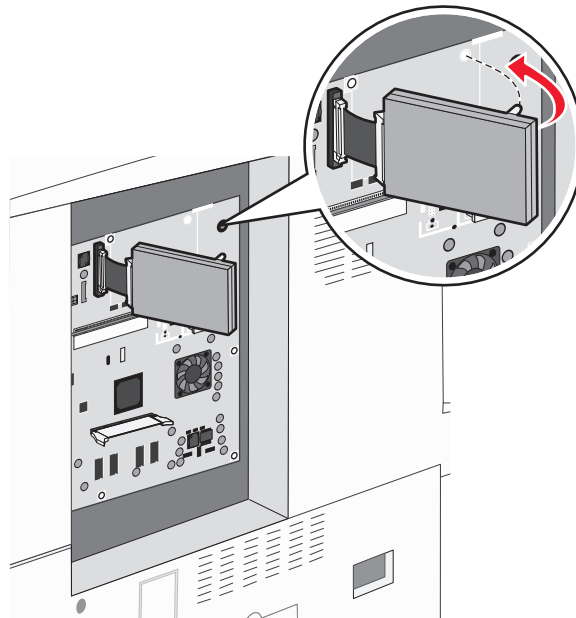


**5** Press the ribbon cable connector into the hard disk connector on the system board.





- 6 Flip the hard disk over, and then press the three posts on the mounting plate into the holes on the system board. The hard disk *snaps* into place.



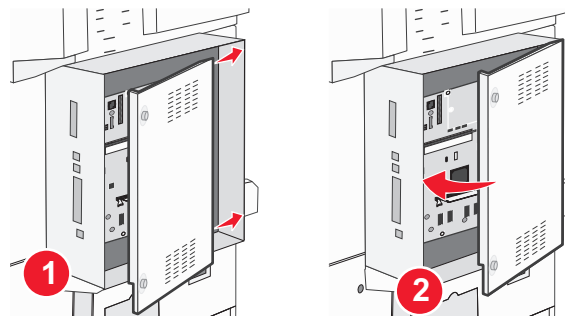
- 7 Reinstall the system board.

## Reinstalling the system board

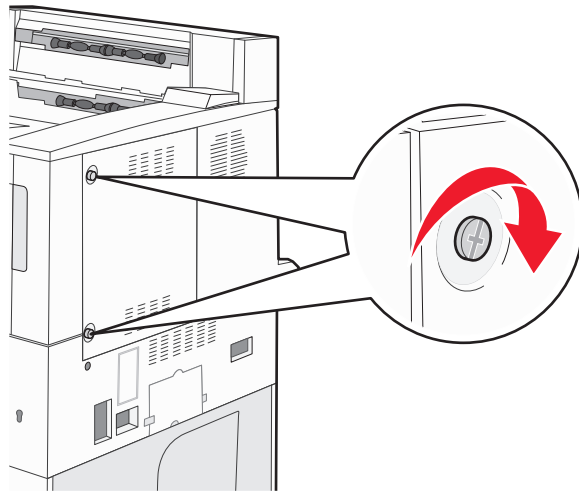
**Warning—Potential Damage:** System board electrical components are easily damaged by static electricity. Touch something metal on the printer before touching any system board electronic components or connectors.

**Note:** This operation requires a #2 Phillips screwdriver.

- 1 Gently insert the system board into the printer.



- 2 Replace the cover screws, and then turn them clockwise.



- 3 Tighten the screws firmly.

## Installing hardware options

### Order of installation

**⚠ CAUTION—TIPPING HAZARD:** Floor-mounted configurations require additional furniture for stability. You must use either a printer stand or printer base if you are using a high-capacity input tray, a duplex unit and an input option, or more than one input option. If you purchased a multifunction printer (MFP) that scans, copies, and faxes, you may need additional furniture. For more information, see [www.lexmark.com/multifunctionprinters](http://www.lexmark.com/multifunctionprinters).

Install the printer and any options you have purchased in the following order:

**⚠ CAUTION—SHOCK HAZARD:** If you are accessing the system board or installing optional hardware or memory devices sometime after setting up the printer, then turn the printer off, and unplug the power cord from the wall outlet before continuing. If you have any other devices attached to the printer, then turn them off as well, and unplug any cables going into the printer.

- Printer stand or caster base
- 2,000-sheet dual trays and high capacity feeder
- Standard or optional 500-sheet trays
- Duplex unit
- Printer

**⚠ CAUTION—POTENTIAL INJURY:** The printer weighs more than 55 kg (121 lb), and requires at least four persons or a properly rated mechanical handling system to lift it safely.

For more information on installing a printer stand, caster base, or 2,000-sheet tray, see the setup documentation that came with the option.

## Installing optional trays

The printer supports the following optional input sources:

- 2 Tray Module (two 500-sheet trays)
- 2,000-sheet dual input trays
- 2,000-sheet high capacity feeder
- Duplex unit

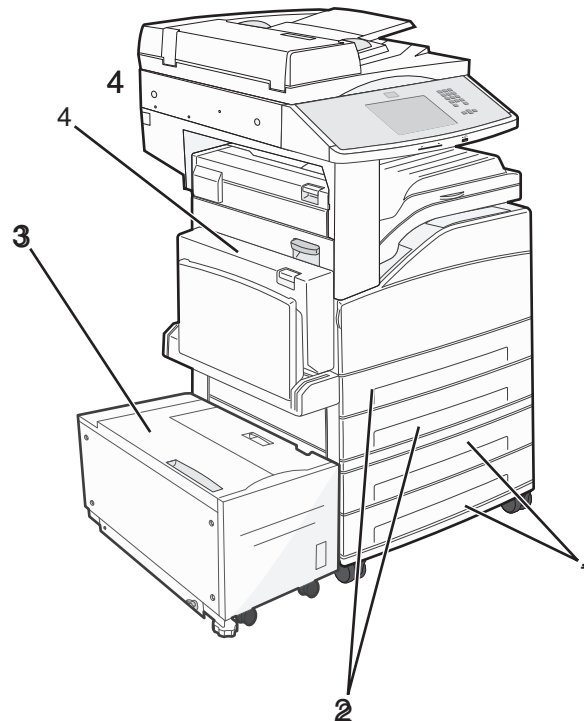
**CAUTION—POTENTIAL INJURY:** The printer weighs more than 55 kg (121 lb), and requires at least four persons or a properly rated mechanical handling system to lift it safely.

**CAUTION—SHOCK HAZARD:** If you are accessing the system board or installing optional hardware or memory devices sometime after setting up the printer, then turn the printer off, and unplug the power cord from the wall outlet before continuing. If you have any other devices attached to the printer, then turn them off as well, and unplug any cables going into the printer.

- 1 Unpack the optional tray, and remove all packing material.
- 2 Place the tray in the location chosen for the printer.

**Note:** If you are installing more than one optional tray, the 2,000-sheet dual input trays must always be installed as the first optional trays (configuring from the bottom up).

**Note:** The optional 500-sheet trays and optional 2,000-sheet dual input trays are interchangeable.

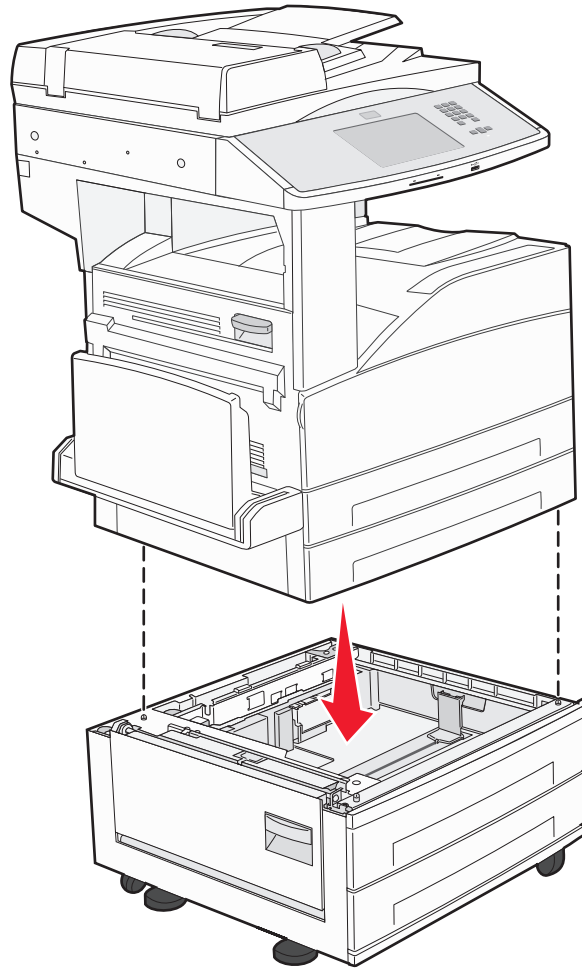


1	Tray 3 and Tray 4 (500-sheet trays or 2,000-sheet dual input trays)
2	Tray 1 and Tray 2 (500-sheet trays)
3	Tray 5 (2,000-sheet high capacity feeder)

**4** Duplex unit

**Note:** Optional trays lock together when stacked. Remove stacked trays one at a time from the top down.

**3** Align the printer with the tray, and then lower the printer into place.



**4** Turn the printer back on.

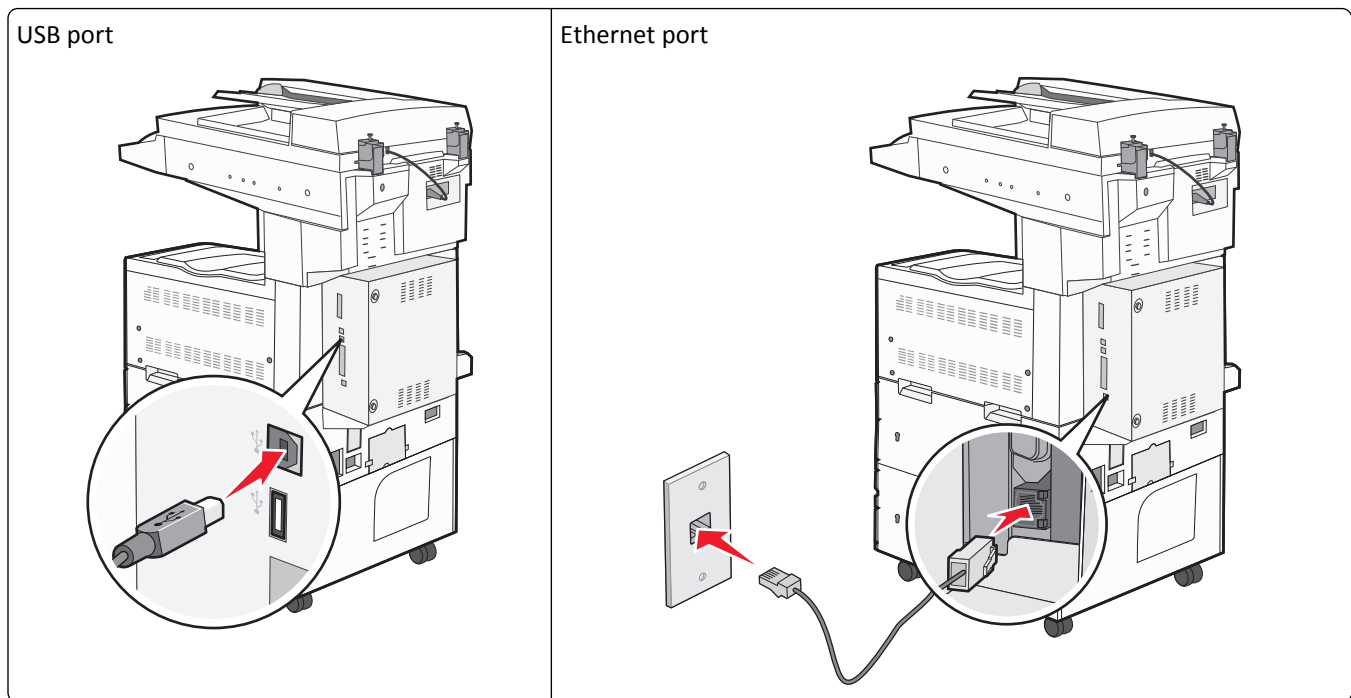
**5** Set the printer software to recognize the optional input source. For more information, see “Updating available options in the printer driver” on page 39.

## Attaching cables

Connect the printer to the computer using a USB cable or Ethernet cable.

Be sure to match the following:

- The USB symbol on the cable with the USB symbol on the printer
- The appropriate Ethernet cable to the Ethernet port




## Verifying printer setup

- Print a menu settings page to verify that all printer options are installed correctly. A list of installed options appears toward the bottom of the page. If an option you installed is not listed, then it is not installed correctly. Remove the option and install it again.
- Print a network setup page to verify that your printer is correctly connected to the network. This page also provides important information that aids network printing configuration.

## Printing a menu settings page

Print a menu settings page to review the current menu settings and to verify printer options are installed correctly.

**Note:** If you have not made any menu item settings changes yet, then the menu settings page lists all the factory default settings. Once you select and save other settings from the menus, they replace the factory default settings as *user default settings*. A user default setting remains in effect until you access the menu again, choose another value, and save it. To restore the factory default settings, see “Restoring the factory default settings” on page 216.


- 1 Make sure the printer is on and **Ready** appears.
- 2 On the home screen, touch .
- 3 Touch **Reports**.
- 4 Touch **Menu Settings Page**.

The menu settings page prints and the printer returns to the home screen.

## Printing a network setup page

If the printer is attached to a network, then print a network setup page to verify the network connection. This page also provides important information that aids network printing configuration.

**1** Make sure the printer is on and **Ready** appears.

**2** On the home screen, touch .

**3** Touch **Reports**.

**4** Touch **Network Setup Page**.

The network setup page prints and the printer returns to the home screen.

**5** Check the first section on the network setup page, and confirm that Status is “Connected.”

If Status is “Not Connected,” the LAN drop may not be active, or the network cable may be malfunctioning. Consult a system support person for a solution, and then print another network setup page.

## Setting up the printer software

### Installing the printer software

#### Notes:

- If you installed the printer software on the computer before but need to reinstall the software, then uninstall the current software first.
- Close all open software programs before installing the printer software.

**1** Obtain a copy of the software installer package.

- From the *Software and Documentation* CD that came with your printer.
- From our Web site:

Go to <http://support.lexmark.com>, and then navigate to:

**SUPPORT & DOWNLOAD** > select your printer > select your operating system

**2** Double-click the software installer package.

Wait for the installation dialog to appear.


If you are using a *Software and Documentation* CD and the installation dialog does not appear, then do the following:

#### In Windows 8

From the Search charm, type **run**, and then navigate to:

Apps list > **Run** > type **D:\setup.exe** > **OK**.

#### In Windows 7 or earlier

- a Click  or click **Start**, and then click **Run**.
- b In the Start Search or Run dialog, type **D:\setup.exe**.
- c Press **Enter**, or click **OK**.

### In Macintosh

Click the CD icon on the desktop.

**Note:** D is the letter of your CD or DVD drive.

- 3 Click **Install**, and then follow the instructions on the computer screen.

## Updating available options in the printer driver

When any hardware options are installed, you may need to manually add the options in the printer driver to make them available for use.

### For Windows users


- 1 Open the printers folder.

#### In Windows 8

From the Search charm, type **run**, and then navigate to:

Apps list > **Run** > type **control printers** > **OK**

#### In Windows 7 or earlier

- a Click  or click **Start**, and then click **Run**.
- b In the Start Search or Run dialog, type **control printers**.
- c Press **Enter**, or click **OK**.

- 2 Depending on your device, do either of the following:
  - Press and hold the printer you want to update.
  - Right-click the printer you want to update.
- 3 From the menu that appears, do either of the following:
  - For Windows 7 or later, select **Printer properties**.
  - For earlier versions, select **Properties**.
- 4 Click the **Configuration** tab.
- 5 Do either of the following:
  - Click **Update Now - Ask Printer**.
  - Under Configuration Options, manually add any installed hardware options.
- 6 Click **Apply**.

### For Macintosh users

- 1 From the Apple menu, navigate to either of the following:
  - **System Preferences** > **Print & Scan** > select your printer > **Options & Supplies** > **Driver**
  - **System Preferences** > **Print & Fax** > select your printer > **Options & Supplies** > **Driver**
- 2 Add any installed hardware options, and then click **OK**.

## Setting up wireless printing

Follow these instructions if your printer model is wireless.

**Note:** A Service Set Identifier (SSID) is a name assigned to a wireless network. Wireless Encryption Protocol (WEP) and Wi-Fi Protected Access (WPA) are types of security used on a network.

### Preparing to set up the printer on a wireless network

#### Notes:

- Make sure your access point (wireless router) is turned on and is working properly.
- Do not connect the installation or network cables until prompted to do so by the setup software.

Make sure you have the following information before setting up the printer on a wireless network:

- **SSID**—The SSID is also referred to as the network name.
- **Wireless Mode (or Network Mode)**—The mode is either infrastructure or ad hoc.
- **Channel (for ad hoc networks)**—The channel defaults to automatic for infrastructure networks.

Some ad hoc networks will also require the automatic setting. Check with your system support person if you are not sure which channel to select.

- **Security Method**—There are four basic options for Security Method:

- WEP key

If your network uses more than one WEP key, then enter up to four in the provided spaces. Select the key currently in use on the network by selecting the default WEP transmit key.

- WPA or WPA2 preshared key or passphrase

WPA includes encryption as an additional layer of security. The choices are AES or TKIP. Encryption must be set for the same type on the router and on the printer, or the printer will not be able to communicate on the network.

- 802.1X–RADIUS

If you are installing the printer on an 802.1X network, then you may need the following:

- Authentication type
- Inner authentication type
- 802.1X user name and password
- Certificates

- No security

If your wireless network does not use any type of security, then you will not have any security information.

**Note:** Using an unsecured wireless network is not recommended.

#### Notes:

- If you do not know the SSID of the network that your computer is connected to, then launch the wireless utility of the computer network adapter, and then look for the network name. If you cannot find the SSID or the security information for your network, then see the documentation that came with the access point or contact your system support person.



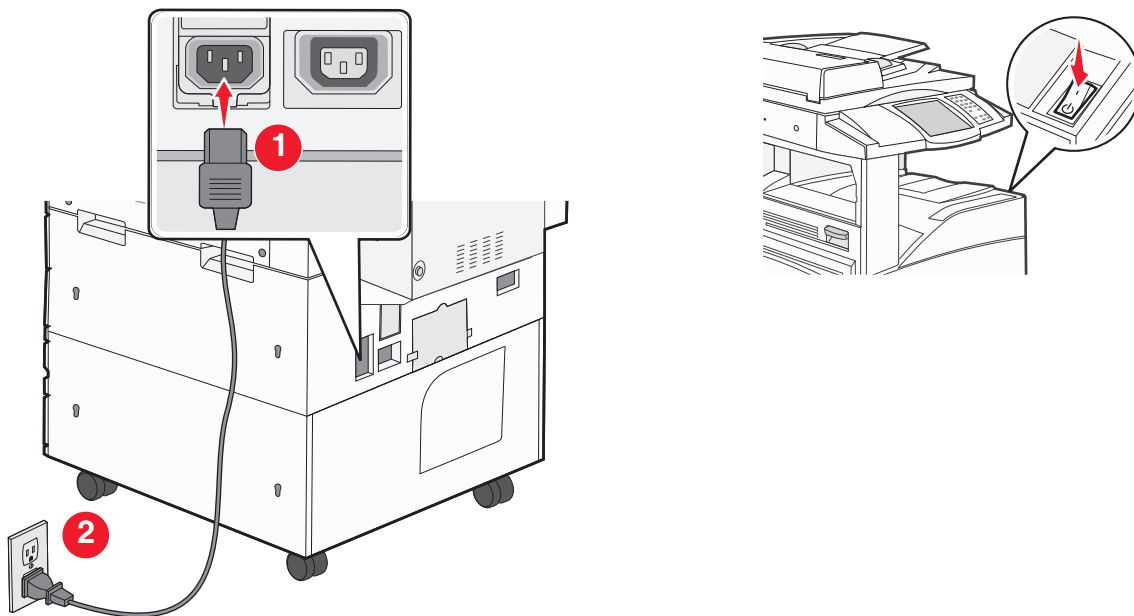
- To find the WPA/WPA2 preshared key or passphrase for the wireless network, see the documentation that came with the access point, see the Embedded Web Server associated with the access point, or consult your system support person.

## Installing the printer on a wireless network (Windows)

Before installing the printer on a wireless network, make sure:

- Your wireless network is set up and is working properly.
- The computer you are using is connected to the same wireless network where you want to set up the printer.

**1** Connect the power cord to the printer, then to a properly grounded electrical outlet, and then turn on the printer.



**Note:** Make sure the printer and the computer are fully on and ready.

**Warning—Potential Damage:** Do not connect the USB cable until instructed to do so on the computer screen.



**2** Obtain a copy of the software installer package.

- From the *Software and Documentation* CD that came with your printer.
- From our Web site:

Go to <http://support.lexmark.com>, and then navigate to:

**SUPPORT & DOWNLOAD** > select your printer > select your operating system

**3** Double-click the software installer package.

Wait for the installation dialog to appear.


If you are using the *Software and Documentation CD* and the installation dialog does not appear, then do the following:

### In Windows 8

From the Search charm, type **run**, and then navigate to:

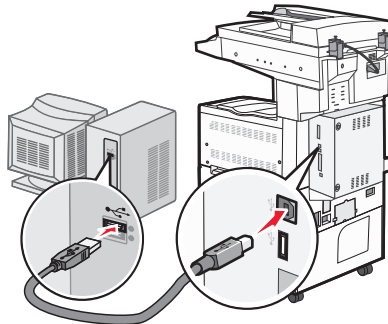
Apps list > **Run** > type **D:\setup.exe** > **OK**

### In Windows 7 or earlier

- a Click  or click **Start**, and then click **Run**.
- b In the Start Search or Run dialog, type **D:\setup.exe**.
- c Press **Enter** or click **OK**.

**Note:** D is the letter of your CD or DVD drive.

- 4 Click **Install**, and then follow the instructions on the computer screen.
- 5 Select **Wireless connection** when asked to choose a connection type.
- 6 From the Wireless Configuration dialog, select **Guided Setup (Recommended)**.  
**Note:** Choose **Advanced Setup** only if you want to customize your installation.
- 7 Temporarily connect a USB cable between the computer on the wireless network and the printer.



**Note:** After the printer is configured, the software will instruct you to disconnect the temporary USB cable so you can print wirelessly.

- 8 Follow the instructions on the computer screen.

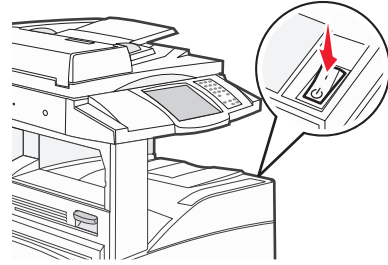
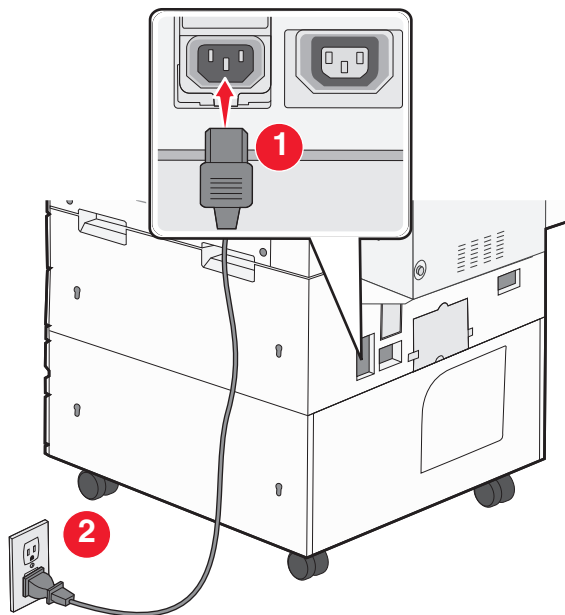
**Note:** For more information on allowing other computers on the network to use the wireless printer, see the *Networking Guide*.

## Installing the printer on a wireless network (Macintosh)

**Note:** Make sure to disconnect the Ethernet cable when installing the printer on a wireless network.

### Prepare to configure the printer

- 1 Connect the power cord to the printer, then to a properly grounded electrical outlet, and then turn on the printer.



**2** Locate the printer MAC address.

**a** From the printer control panel, navigate to:

 > **Reports** >  > **Network Setup Page** >   
*or*

 > **Reports** > **Network Setup Page**

**b** In the Standard Network Card section, look for **UAA (MAC)**.

**Note:** You will need this information later.

## Enter the printer information

**1** Access the AirPort options:

### In Mac OS X version 10.5 or later

From the Apple menu, navigate to either of the following:

- **System Preferences > Network > Wi-Fi**
- **System Preferences > Network > AirPort**

### In Mac OS X version 10.4

From the Finder, navigate to:

**Applications > Internet Connect > AirPort**

**2** From the Network Name pop-up menu, select **print server [yyyyyy]**, where the **y**'s are the last six digits of the MAC address located on the MAC address sheet.

**3** Open a Web browser.

**4** From the Bookmarks menu, select **Show** or **Show All Bookmarks**.

5 Under COLLECTIONS, select **Bonjour** or **Rendezvous**, and then double-click the printer name.

**Note:** The application referred to as *Rendezvous* in Mac OS X version 10.2 is now called *Bonjour* by Apple Inc.

6 From the Embedded Web Server, navigate to the location of the wireless settings information.

### Configure the printer for wireless access

1 Type the network name (SSID) in the appropriate field.

2 Select **Infrastructure** as your Network Mode setting if you are using an access point (wireless router).

3 Select the type of security you want to use to protect the wireless network.

4 Enter the security information necessary for the printer to connect to the wireless network.

5 Click **Submit**.

6 Open the AirPort application on the computer:

#### In Mac OS X version 10.5 or later

From the Apple menu, navigate to either of the following:

- **System Preferences > Network > Wi-Fi**
- **System Preferences > Network > AirPort**

#### In Mac OS X version 10.4

From the Finder, navigate to:

**Applications > Internet Connect > AirPort**

7 From the Network pop-up menu, select the name of the wireless network.

### Configure your computer to use the printer wirelessly

To print on a network printer, each Macintosh user must install a custom printer driver file and create a print queue in the Printer Setup Utility or Print Center.

1 Install a printer driver file on the computer:

a Obtain a copy of the software installer package.

- From the *Software and Documentation* CD that came with your printer.
- From our Web site:

Go to <http://support.lexmark.com>, and then navigate to:

**SUPPORT & DOWNLOAD** > select your printer > select your operating system

b Double-click the installer package for the printer.

c Follow the instructions on the computer screen.

d Select a destination, and then click **Continue**.

e From the Easy Install screen, click **Install**.

f Type the user password, and then click **OK**.

All necessary applications are installed in the computer.

g Click **Close** when the installation is complete.

2 Add the printer:

a For IP printing:

**In Mac OS X version 10.5 or later**

- 1 From the Apple menu, navigate to either of the following:
  - **System Preferences > Print & Scan**
  - **System Preferences > Print & Fax**
- 2 Click +.
- 3 If necessary, click **Add Printer or Scanner** or **Add Other Printer or Scanner**.
- 4 Click the **IP** tab.
- 5 Type the IP address of the printer in the address field, and then click **Add**.

**In Mac OS X version 10.4**

- 1 From the Finder, navigate to:  
**Applications > Utilities**
- 2 Double-click **Printer Setup Utility** or **Print Center**.
- 3 From the Printer List, choose **Add**, and then click **IP Printer**.
- 4 Type the IP address of the printer in the address field, and then click **Add**.

**b** For AppleTalk printing:**Notes:**

- Make sure AppleTalk is activated on your printer.
- This feature is supported only in Mac OS X version 10.5 or earlier.

**In Mac OS X version 10.5**

- 1 From the Apple menu, navigate to:  
**System Preferences > Print & Fax**
- 2 Click +, and then navigate to:  
**AppleTalk > select the printer from the list > Add**

**In Mac OS X version 10.4**

- 1 From the Finder, navigate to:  
**Applications > Utilities**
- 2 Double-click **Printer Setup Utility** or **Print Center**.
- 3 From the Printer List, click **Add**.
- 4 Click **Default Browser** tab > **More Printers**.
- 5 From the first pop-up menu, select **AppleTalk**.
- 6 From the second pop-up menu, select **Local AppleTalk Zone**.
- 7 Select the printer from the list, and then click **Add**.

## Installing the printer on an Ethernet network

**Note:** Make sure you have completed the initial setup of the printer.

## For Windows users

1 Obtain a copy of the software installer package.

- From the *Software and Documentation* CD that came with your printer.
- From our Web site:  
Go to <http://support.lexmark.com>, and then navigate to:  
**SUPPORT & DOWNLOAD** > select your printer > select your operating system

2 Double-click the software installer package.

Wait for the installation dialog to appear.


If you are using the *Software and Documentation* CD and the installation dialog does not appear, then do the following:

### In Windows 8

From the Search charm, type **run**, and then navigate to:

Apps list > **Run** > type **D:\setup.exe** > **OK**

### In Windows 7 or earlier

- a Click  or click **Start**, and then click **Run**.
- b In the Start Search or Run dialog, type **D:\setup.exe**.
- c Press **Enter** or click **OK**.

**Note:** D is the letter of your CD or DVD drive.

3 Click **Install**, and then follow the instructions on the computer screen.

**Note:** To configure the printer using a static IP address, IPv6, or scripts, select **Advanced Options** > **Administrator Tools**.

4 Select **Ethernet connection**, and then click **Continue**.

5 Attach the Ethernet cable when instructed to do so.

6 Select the printer from the list, and then click **Continue**.

**Note:** If the configured printer does not appear in the list, then click **Modify Search**.

7 Follow the instructions on the computer screen.

## For Macintosh users

1 Allow the network DHCP server to assign an IP address to the printer.

2 Obtain the printer IP address either:

- From the printer control panel
- From the TCP/IP section in the Network/Ports menu
- By printing a network setup page or menu settings page, and then finding the TCP/IP section

**Note:** You will need the IP address if you are configuring access for computers on a different subnet than the printer.

3 Install the printer driver on the computer.

- a Double-click the installer package for the printer.
- b Follow the instructions on the computer screen.

- c Select a destination, and then click **Continue**.
- d From the Easy Install screen, click **Install**.
- e Type the user password, and then click **OK**.  
All the necessary applications are installed on the computer.
- f Click **Close** when the installation is complete.

#### 4 Add the printer.

- For IP printing:

##### In Mac OS X version 10.5 or later

- a From the Apple menu, navigate to either of the following:
  - **System Preferences > Print & Scan**
  - **System Preferences > Print & Fax**
- b Click **+**.
- c If necessary, click **Add Printer or Scanner** or **Add Other Printer or Scanner**.
- d Click the **IP** tab.
- e Type the printer IP address in the address field, and then click **Add**.

##### In Mac OS X version 10.4 or earlier

- a From the Finder, navigate to:  
**Applications > Utilities**
- b Double-click **Printer Setup Utility** or **Print Center**.
- c From the printer list, click **Add**, and then click **IP Printer**.
- d Type the scanner IP address in the address field, and then click **Add**.
- For AppleTalk printing:

##### Notes:

- Make sure AppleTalk is activated on your printer.
- This feature is supported only in Mac OS X version 10.5 or earlier.

##### In Mac OS X version 10.5

- a From the Apple menu, navigate to:  
**System Preferences > Print & Fax**
- b Click **+**, and then navigate to:  
**AppleTalk > select your printer > Add**

##### In Mac OS X version 10.4 or earlier

- a From the Finder, navigate to:  
**Applications > Utilities**
- b Double-click **Printer Setup Utility** or **Print Center**.
- c From the printer list, click **Add**.
- d Click **Default Browser** tab > **More Printers**.
- e From the first pop-up menu, select **AppleTalk**.

- f** From the second pop-up menu, select **Local AppleTalk Zone**.
- g** Select the device from the list, and then click **Add**.

**Note:** If the scanner does not show up in the list, then you may need to add it using the IP address. For more information, contact your system support person.

## Changing port settings after installing a new network Internal Solutions Port

When a new Lexmark Internal Solutions Port (ISP) is installed in the printer, the printer configurations on computers that access the printer must be updated since the printer will be assigned a new IP address. All computers that access the printer must be updated with this new IP address.

### Notes:

- If the printer has a static IP address, then you do not need to make any changes to the computer configurations.
- If the computers are configured to use the network name, instead of an IP address, then you do not need to make any changes to your computer configurations.
- If you are adding a wireless ISP to a printer previously configured for an Ethernet connection, then make sure the printer is disconnected from the Ethernet network when you configure the printer to operate wirelessly. If the printer is connected to the Ethernet network, then the wireless configuration completes, but the wireless ISP is inactive. To activate the wireless ISP, disconnect the printer from the Ethernet network, turn off the printer, and then turn it back on.
- Only one network connection is active at a time. To switch between Ethernet and wireless connection types, turn off the printer, connect the cable (to switch to an Ethernet connection) or disconnect the cable (to switch to a wireless connection), and then turn the printer back on.

### For Windows users

- 1** Open a Web browser, and then type the printer IP address in the address field.

#### Notes:

- View the printer IP address on the printer control panel. The IP address appears as four sets of numbers separated by periods, such as 123.123.123.123.
- If you are using a proxy server, then temporarily disable it to load the Web page correctly.


- 2** Open the printers folder.

#### In Windows 8

From the Search charm, type **Run** and then navigate to:

Apps list > **Run** > type **control printers** > **OK**

#### In Windows 7 or earlier

- a** Click , or click **Start** and then click **Run**.
- b** In the Start Search or Run dialog, type **control printers**.
- c** Press **Enter**, or click **OK**.



- 3 To select the printer that has changed, do either of the following:
  - Press and hold the printer, and then select **Printer properties**.
  - Right-click the printer, and then select **Printer properties** (Windows 7 or later) or **Properties** (earlier versions).

**Note:** If there is more than one copy of the printer, then update all of them with the new IP address.
- 4 Click the **Ports** tab.
- 5 Select the port from the list, and then click **Configure Port**.
- 6 Type the new IP address in the “Printer Name or IP Address” field.
- 7 Click **OK > Close**.

## For Macintosh users

- 1 Open a Web browser, and then type the printer IP address in the address field.

### Notes:

- View the printer IP address on the printer control panel. The IP address appears as four sets of numbers separated by periods, such as 123.123.123.123.
- If you are using a proxy server, then temporarily disable it to load the Web page correctly.

- 2 Add the printer.

- For IP printing:
  - a From the Apple menu, navigate to either of the following:
    - **System Preferences > Print & Scan**
    - **System Preferences > Print & Fax**
  - b Click **+**.
  - c Click the **IP** tab.
  - d Type the printer IP address in the address field, and then click **Add**.

- For AppleTalk printing:

### Notes:

- Make sure AppleTalk is activated on your printer.
- This feature is supported only in Mac OS X version 10.5.

- a From the Apple menu, navigate to:  
**System Preferences > Print & Fax**
- b Click **+**, and then navigate to:  
**AppleTalk > select the printer > Add**

## Setting up serial printing

Use serial printing to print when the computer is far from the printer or to print at a reduced speed.

After installing the serial or communication (COM) port, configure the printer and the computer. Make sure you have connected the serial cable to the COM port on your printer.

- 1 Set the parameters in the printer.
  - a From the printer control panel, navigate to the menu for the port settings.
  - b Locate the menu for the serial port settings, and then adjust the settings, if necessary.
  - c Save the modified settings, and then print a menu settings page.

- 2 Install the printer driver.

- a Obtain a copy of the software installer package.
  - From the *Software and Documentation* CD that came with your printer
  - From our Web site:  
Go to <http://support.lexmark.com>, and then navigate to:  
**SUPPORT & DOWNLOAD** > select your printer > select your operating system

- b Double-click the software installer package.

Wait for the installation dialog to appear.


If you are using the *Software and Documentation* CD and the installation dialog does not appear, then do the following:

### In Windows 8

From the Search charm type **run**, and then navigate to:

Apps list > **Run** > type **D:\setup.exe** > **OK**

### In Windows 7 or earlier

- 1 Click  or click **Start**, and then click **Run**.
- 2 In the Start Search or Run dialog, type **D:\setup.exe**.
- 3 Press **Enter** or click **OK**.

**Note:** D is the letter of your CD or DVD drive.

- c Click **Install**.
- d Follow the instructions on the computer screen.
- e Select **Advanced**, and then click **Continue**.
- f From the Configure Printer Connection dialog, select a port.
- g If the port is not in the list, then click **Refresh**, or navigate to:  
**Add port** > select a port type > enter the necessary information > **OK**
- h Click **Continue** > **Finish**.

- 3 Set the COM port parameters.

After installing the printer driver, set the serial parameters in the COM port assigned to the printer driver.

**Note:** Make sure the serial parameters in the COM port match the serial parameters you set in the printer.


- a Open Device Manager.

### In Windows 8

From the Search charm, type **run** and then navigate to:

Apps list > **Run** > type **devmgmt.msc** > **OK**

### In Windows 7 or earlier



- 1** Click  or click **Start**, and then click **Run**.
  - 2** In the Start Search or Run dialog, type `devmgmt.msc`.
  - 3** Press **Enter** or click **OK**.
- b** Double-click **Ports (COM & LPT)** to expand the list of available ports.
- c** Do either of the following:
- Press and hold the COM port where you attached the serial cable to your computer (example: COM1).
  - Right-click the COM port where you attached the serial cable to your computer (example: COM1).
- d** From the menu that appears, select **Properties**.
- e** On the Port Settings tab, set the serial parameters to the same serial parameters set in the printer. Check the serial heading of the menu settings page for the printer settings.
- f** Click **OK**, and then close all the dialogs.
- g** Print a test page to verify printer installation.

## Loading paper and specialty media

This section explains how to load the 500- and 2000-sheet trays, and the multipurpose feeder. It also includes information about paper orientation, setting the Paper Size and Paper Type, and linking and unlinking trays.

### Setting the Paper Size and Paper Type

The Paper Size setting is determined by the position of the paper guides in the tray for all trays except the multipurpose feeder. The Paper Size setting for the multipurpose feeder must be set manually. The factory default Paper Type setting is Plain Paper. The Paper Type setting must be set manually for all trays that do not contain plain paper.

- 1 Make sure the printer is on and **Ready** appears.
- 2 On the home screen, touch .
- 3 Touch **Paper Menu**.
- 4 Touch **Paper Size/Type**.
- 5 Touch the arrows for the desired tray until the correct size or type setting appears.
- 6 Touch **Submit**.
- 7 Touch  to return to the home screen.


### Configuring Universal paper settings

The Universal Paper Size is a user-defined setting that lets you print on paper sizes that are not preset in the printer menus. Set the Paper Size for the specified tray to Universal when the size you want is not available from the Paper Size menu. Then, specify all of the following Universal size settings for your paper:

- Units of measure (millimeters or inches)
- Portrait Width
- Portrait Height


**Note:** The smallest supported Universal size is 98.4 x 89 mm (3.9 x 3.5 in.) ; the largest size is 297 x 431 mm (11.7 x 7 in.)

#### Specify a unit of measurement

- 1 Make sure the printer is on and **Ready** appears.
- 2 On the home screen, touch .
- 3 Touch **Paper Menu**.
- 4 Touch the down arrow until **Universal Setup** appears, and then touch **Universal Setup**.
- 5 Touch the left or right arrow to select the desired unit of measure.
- 6 Touch **Portrait Width** or **Portrait Height**.
- 7 Touch the arrows to select the desired width or height.

8 Touch **Submit** to save your selection.

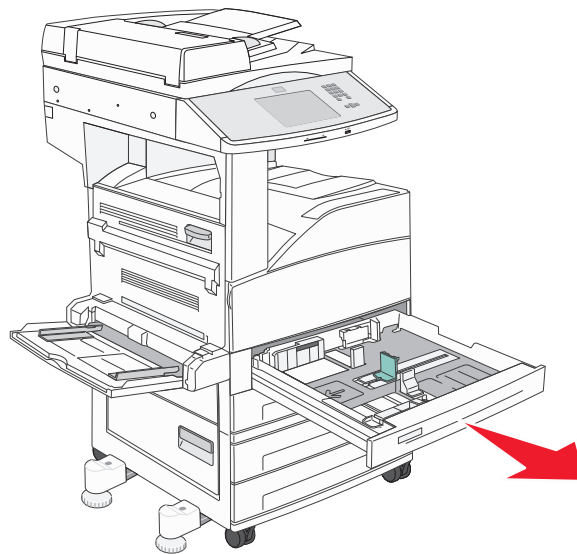
**Submitting Selection** appears, followed by the Paper menu.

9 Touch  to return to the home screen.

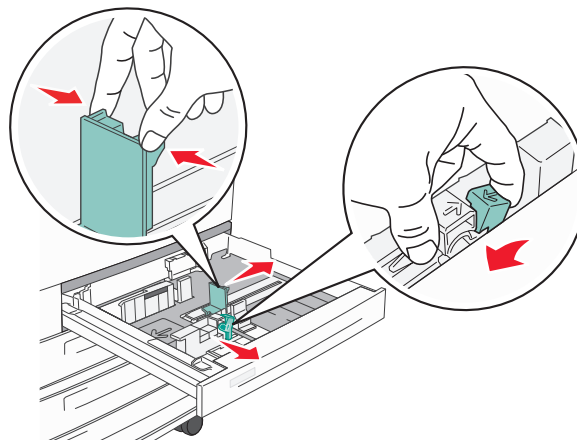
## Loading the standard or optional 500-sheet trays

The printer has two standard 500-sheet trays (Tray 1 and Tray 2), and it may have one or more optional 500-sheet trays. All 500-sheet trays support the same paper sizes and types. Paper may be loaded in the trays in either the long-edge or short-edge orientation.

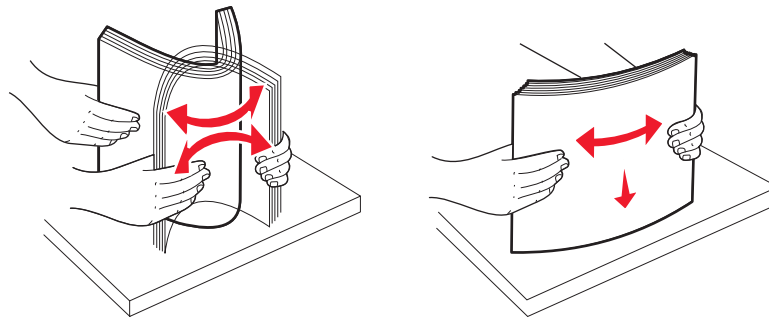
1 Pull the tray completely out.



2 Squeeze and slide the width and length guides to the correct positions for the paper size being loaded.



- 3** Flex the sheets back and forth to loosen them, and then fan them. Do not fold or crease the paper. Straighten the edges on a level surface.

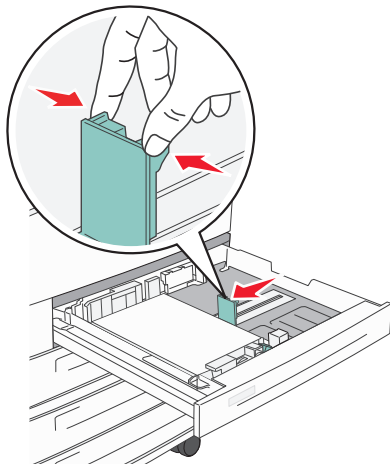


- 4** Load the paper stack with the recommended print side faceup. Load the paper in either the long-edge or short-edge orientation as shown.

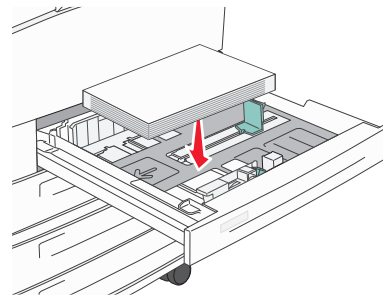
**Notes:**

- Load sizes larger than A4 in the short-edge orientation.
- Paper must be loaded in the short-edge orientation to create booklets if the optional booklet finisher is installed.

**Long-edge orientation**

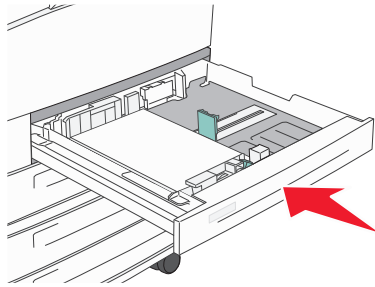


**Short-edge orientation**



- 5** Make sure the paper guides are secure against the edges of the paper.

- 6 Insert the tray.



- 7 If the paper type you loaded differs from the type that was previously loaded in the tray, then change the Paper Type setting for the tray.

## Loading A5 or Statement paper sizes

The printer trays *cannot* distinguish between A5- (148 x 210 mm) and Statement-size (139.7 x 215.9 mm) paper when both sizes are loaded in the printer trays. From the Size Sensing menu, specify which size you want the printer to detect. Load *either* A5- or Statement-size paper in the paper trays, but not both.

**Note:** The multipurpose feeder does not use auto-size sensing and can support both A5- and Statement-size print jobs. The Size Sensing setting does not affect the multipurpose feeder settings.

- 1 Load either A5- or Statement-size paper in a paper tray.
- 2 Turn the printer off.
- 3 Hold down **2<sub>ABC</sub>** and **6<sub>MNO</sub>** while turning the printer on.
- 4 Release the buttons when the screen with the Progress Bar appears.  
The printer performs a power-on sequence, and then **Configuration Menu** appears.
- 5 Touch the up or down arrow button until **Size Sensing** appears.
- 6 Touch **Size Sensing**.
- 7 Select **Statement/A5**.
- 8 Touch the left or right arrow button until the paper size you want appears.
- 9 Touch **Submit**.
- 10 Touch **Exit Configuration Menu**.

## Loading B5 or Executive paper sizes

The printer trays *cannot* distinguish between B5- and Executive-size paper when both sizes are loaded in the trays. From the Size Sensing menu, specify which size you want the printer to detect. Load *either* B5- or Executive-size paper in the paper trays, but not both.

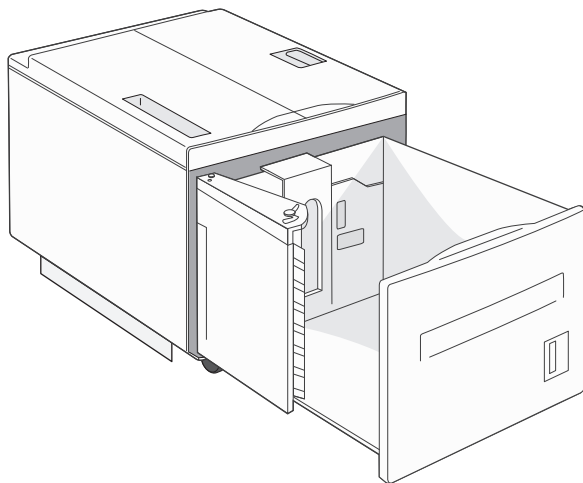
**Note:** The multipurpose feeder does not use auto-size sensing and can support both B5- and Executive-size print jobs. The Size Sensing setting does not affect the multipurpose feeder settings.

- 1 Load either B5- or Executive-size paper in a paper tray.
- 2 Turn the printer off.
- 3 Hold down **2 ABC** and **6 MNG** while turning the printer on.
- 4 Release the buttons when the screen with the Progress Bar appears.  
The printer performs a power-on sequence, and then **Configuration Menu** appears.
- 5 Touch the up or down arrow button until **Size Sensing** appears.
- 6 Touch **Size Sensing**.
- 7 Select **Select Executive/B5**.
- 8 Touch the left or right arrow button until the paper size you want appears.
- 9 Touch **Submit**.
- 10 Touch **Exit Configuration Menu**.

## Loading the 2000-sheet high capacity feeder

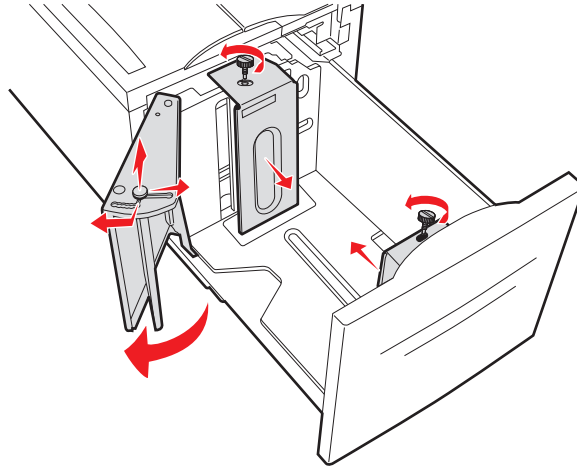
The high capacity feeder can hold 2,000 sheets of letter, A4, Executive, and JIS B5 paper (80 g/m<sup>2</sup> or 20 lb).

- 1 Pull the tray out.

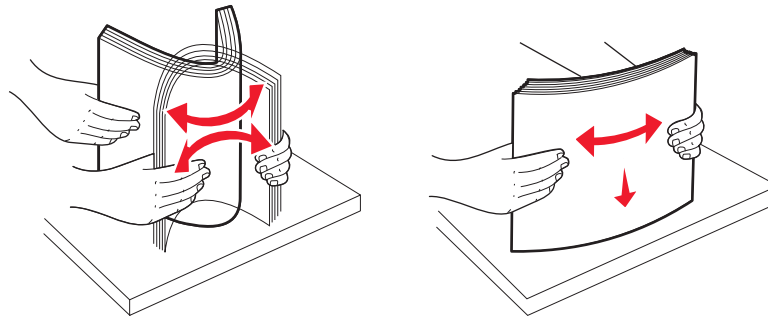




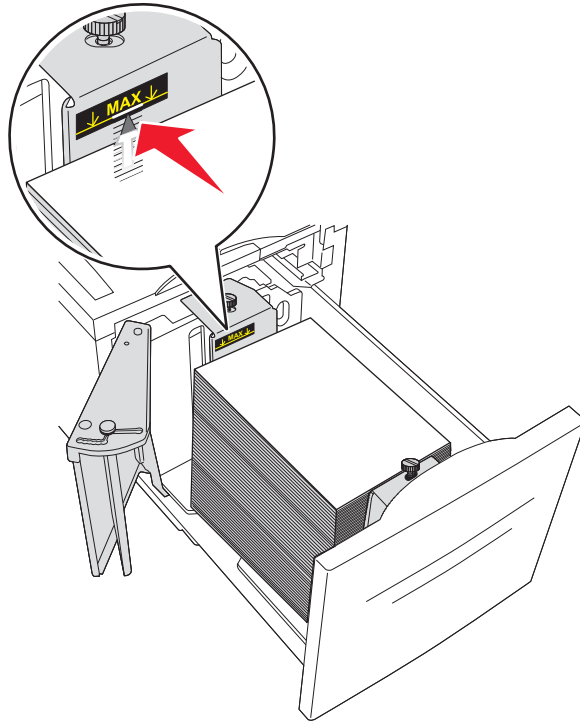
- 2 If you are loading paper with a different width or length, then adjust the width and length guides.



- 3 Flex the sheets back and forth to loosen them, and then fan them. Do not fold or crease the paper. Straighten the edges on a level surface.



4 Load paper in the tray with the print side down.



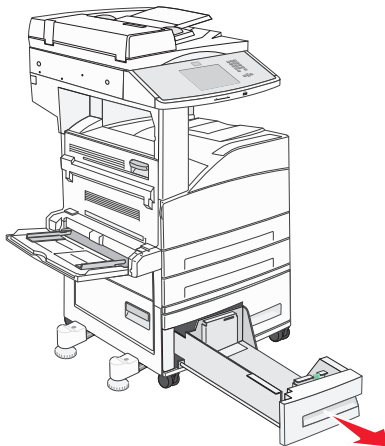
- Place pre-punched paper with the holes toward the left side of the tray.
- When loading letterhead, place the header toward the front of the tray.

5 Insert the tray.

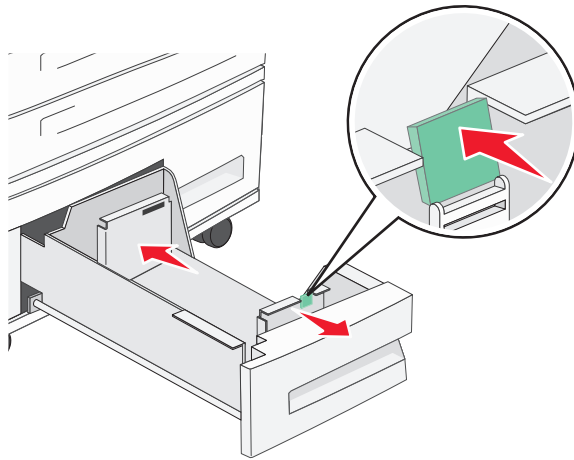
## Loading the 2,000-sheet dual input trays

The 2,000-sheet dual input drawer includes two trays: an 850-sheet tray and a 1,150-sheet tray. Although the trays are different in appearance, they require the same process for loading paper.

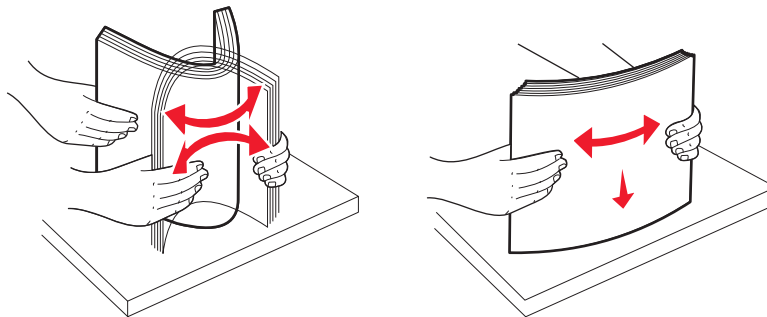
1 Pull the tray out.



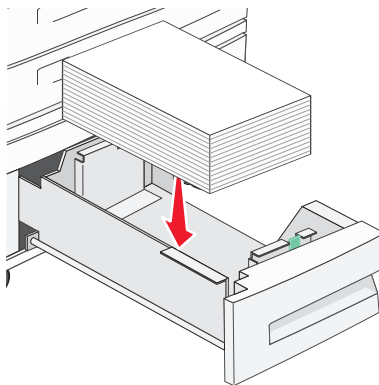
- 2 Squeeze the length guide tab inward as shown, and slide the guide to the correct position for the paper size being loaded.



- 3 Flex the sheets back and forth to loosen them, and then fan them. Do not fold or crease the paper. Straighten the edges on a level surface.



- 4 Load paper in the tray with the print side up.



**Note:** Make sure the paper is below the maximum fill line on the rear guide. Overloading may cause jams.

- 5 Insert the tray.

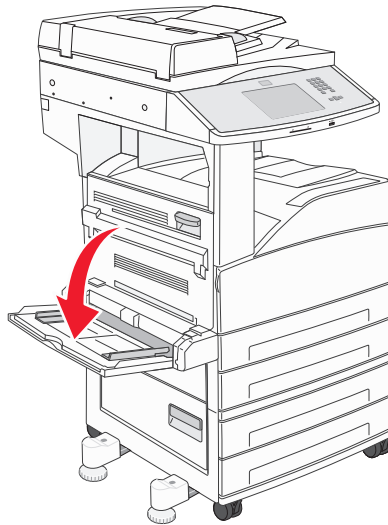
## Loading the multipurpose feeder

The multipurpose feeder can hold several sizes and types of print media, such as transparencies, postcards, note cards, and envelopes. It can be used for single-page or manual printing or as an additional tray.

The icons on the multipurpose feeder show you how to load the multipurpose feeder with paper, how to turn an envelope for printing, and how to load letterhead paper for simplex and duplex printing.

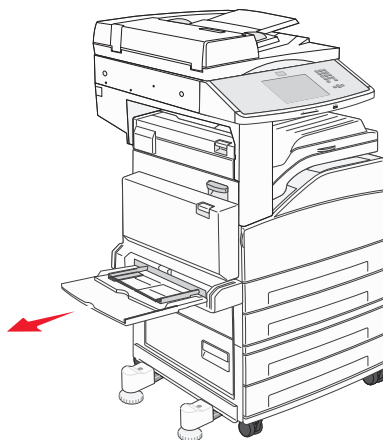
**Note:** Do not add or remove paper when the printer is printing from the multipurpose feeder or when the printer control panel indicator light is blinking. Doing so may cause a jam.

- 1 Lower the multipurpose feeder.



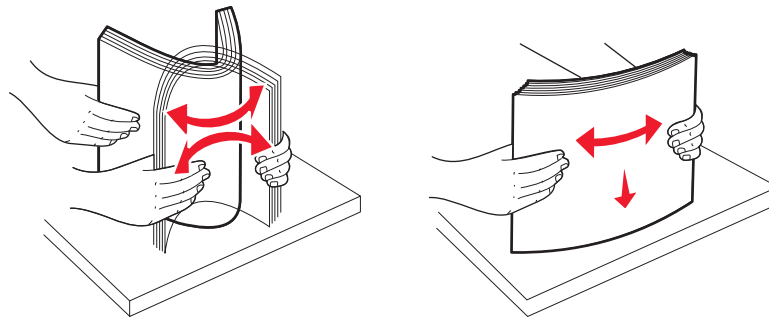
- 2 Pull the tray extension out.

**Note:** Do *not* place objects on the multipurpose feeder. Also, avoid pressing down on it or applying excessive force to it.



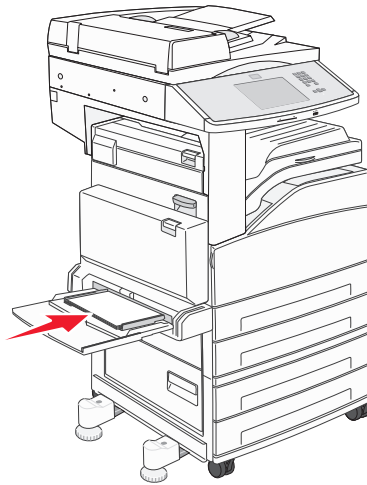
- 3 Slide the width guides to the outside of the feeder.

- 4 Flex the sheets or envelopes back and forth to loosen them, then fan them. Do not fold or crease the paper. Straighten the edges on a level surface.

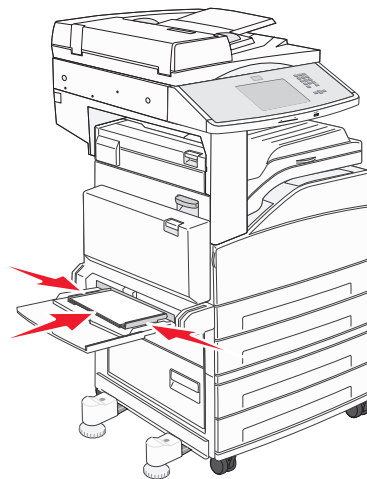


- 5 Load the paper or specialty media into the feeder.

**Note:** Make sure the paper is below the maximum fill line. Overloading may cause jams.

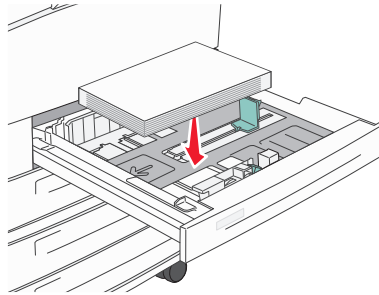


- 6 Slide the width guides until they lightly rest against the edge of the paper.



- 7 Set the Paper Size and Paper Type for the multipurpose feeder (MP Feeder Size and MP Feeder Type) to the correct value for the print media you loaded. For more information, see "Setting the Paper Size and Paper Type" on page 52.

## Loading letter- or A4-size paper in the short-edge orientation



By default, the printer is set to recognize letter- or A4-size paper loaded in the long-edge orientation. If you want to load letter- or A4-size paper in the short-edge orientation, make sure you enable Short-edge Printing.

- 1 Make sure the printer is off.
- 2 From the printer control panel, press and hold **2 ABC** and **6 MNG** while you turn the printer on.
- 3 Release both buttons when a progress bar appears on the display.  
The printer performs its power-on sequence, and then the Configuration menu appears.
- 4 Press the up or down arrow until **Short-edge Printing** appears, and then press the arrow to the right of **Short-edge Printing**.
- 5 Press the left or right arrows until you see **Enable**, and then press **Submit**.  
**Submitting Change** appears.
- 6 Press **Back**.
- 7 Press **Exit Config Menu**.

## Linking and unlinking trays

### Linking trays

Tray linking is useful for large print jobs or multiple copies. When one linked tray is empty, paper feeds from the next linked tray. When the Paper Size and Paper Type settings are the same for any trays, the trays are automatically linked. The Paper Size setting is automatically sensed according to the position of the paper guides in each tray except the multipurpose feeder. The Paper Size setting for the multipurpose feeder must be set manually from the Paper Size menu. The Paper Type setting must be set for all trays from the Paper Type menu. The Paper Type menu and the Paper Size menu are both available from the Paper Size/Type menu.

### Unlinking trays

Unlinked trays have settings that are *not* the same as the settings of any other tray.


To unlink a tray, change the following tray settings so that they do not match the settings of any other tray:

- **Paper Type** (for example: Plain Paper, Letterhead, Custom Type <x>)  
Paper Type names describe the paper characteristics. If the name that best describes your paper is used by linked trays, assign a different Paper Type name to the tray, such as Custom Type <x>, or define your own custom name.
- **Paper Size** (for example: letter, A4, statement)  
Load a different paper size to change the Paper Size setting for a tray automatically. Paper Size settings for the multipurpose feeder are not automatic; they must be set manually from the Paper Size menu.

**Warning—Potential Damage:** Do not assign a Paper Type name that does not accurately describe the type of paper loaded in the tray. The temperature of the fuser varies according to the specified Paper Type. Paper may not be properly processed if an inaccurate Paper Type is selected.

## Assigning a custom paper type name

Assign a custom paper type name to a tray when linking or unlinking the tray.

- 1 Make sure the printer is on and **Ready** appears.
- 2 From the home screen, touch .
- 3 Touch **Paper Menu**.
- 4 Touch **Paper Size/Type**.
- 5 Select the tray number or MP Feeder Type.
- 6 Touch the left or right arrow until **Custom Type <x>** or another custom name appears.
- 7 Touch **Submit**.

## Changing a Custom Type <x> name

You can use the Embedded Web Server or MarkVision™ to define a name other than Custom Type <x> for each of the custom paper types that are loaded. When a Custom Type <x> name is changed, the menus display the new name instead of Custom Type <x>.

To change a Custom Type <x> name from the Embedded Web Server:

- 1 Open a Web browser.  
**Note:** The computer must be connected to the same network as the printer.
- 2 In the address bar, type the IP address of the network printer (for example, 192.264.263.17).
- 3 Press **Enter**.
- 4 From the navigation panel of the initial page, click **Configuration**.
- 5 Click **Paper Menu**.
- 6 Click **Custom Name**.
- 7 Type a name for the paper type in a Custom Name <x> box.

**Note:** This custom name will replace a custom type <x> name under the Custom Types and Paper Size/Type menus.

**8** Click **Submit**.

**Submitting Selection** appears.

**9** Click **Custom Types**.

**Custom Types** appears, followed by your custom name.

**10** Select a Paper Type setting from the picklist next to your custom name.

**11** Click **Submit**.

**Submitting Selection** appears.



# Paper and specialty media guidelines

## Paper guidelines

### Paper characteristics

The following paper characteristics affect print quality and reliability. Consider these characteristics when evaluating new paper stock.

#### Weight

The printer can automatically feed paper weights from 60 to 220 g/m<sup>2</sup> (16 to 58 lb bond) grain long. Paper lighter than 60 g/m<sup>2</sup> (16 lb) might not be stiff enough to feed properly, causing jams. For best performance, use 75-g/m<sup>2</sup> (20-lb bond) grain long paper. For paper smaller than 182 x 257 mm (7 x 10 in.), we recommend 90 g/m<sup>2</sup> (24 lb) or heavier paper.

**Note:** Duplex is supported only for 60-g/m<sup>2</sup>–120-g/m<sup>2</sup> (16-lb–32-lb bond) paper.

#### Curl

Curl is the tendency for paper to curl at its edges. Excessive curl can cause paper feeding problems. Curl can occur after the paper passes through the printer, where it is exposed to high temperatures. Storing paper unwrapped in hot, humid, cold, or dry conditions, even in the trays, can contribute to paper curling prior to printing and can cause feeding problems.

#### Smoothness

Paper smoothness directly affects print quality. If paper is too rough, toner cannot fuse to it properly. If paper is too smooth, it can cause paper feeding or print quality issues. Always use paper between 100 and 300 Sheffield points; however, smoothness between 150 and 200 Sheffield points produces the best print quality.

#### Moisture content

The amount of moisture in paper affects both print quality and the ability of the printer to feed the paper correctly. Leave paper in its original wrapper until it is time to use it. This limits the exposure of paper to moisture changes that can degrade its performance.

Condition paper before printing by storing it in its original wrapper in the same environment as the printer for 24 to 48 hours before printing. Extend the time several days if the storage or transportation environment is very different from the printer environment. Thick paper may also require a longer conditioning period.

#### Grain direction

Grain refers to the alignment of the paper fibers in a sheet of paper. Grain is either *grain long*, running the length of the paper, or *grain short*, running the width of the paper.

For 60- to 135-g/m<sup>2</sup> (16- to 36-lb bond) paper, grain long paper is recommended. For papers heavier than 135 g/m<sup>2</sup>, grain short is recommended.

## Fiber content

Most high-quality xerographic paper is made from 100% chemically treated pulped wood. This content provides the paper with a high degree of stability resulting in fewer paper feeding problems and better print quality. Paper containing fibers such as cotton can negatively affect paper handling.

## Unacceptable paper

The following paper types are not recommended for use with the printer:

- Chemically treated papers used to make copies without carbon paper, also known as carbonless papers, carbonless copy paper (CCP), or no carbon required (NCR) paper
- Preprinted papers with chemicals that may contaminate the printer
- Preprinted papers that can be affected by the temperature in the printer fuser
- Preprinted papers that require a registration (the precise print location on the page) greater than  $\pm 2.3$  mm ( $\pm 0.9$  in.), such as optical character recognition (OCR) forms

In some cases, registration can be adjusted with a software application to successfully print on these forms.

- Coated papers (erasable bond), synthetic papers, thermal papers
- Rough-edged, rough or heavily textured surface papers, or curled papers
- Recycled papers that fail EN12281:2002 (European)
- Paper weighing less than 60 g/m<sup>2</sup> (16 lb)
- Multiple-part forms or documents

## Selecting paper

Using appropriate paper prevents jams and helps ensure trouble-free printing.

To help avoid jams and poor print quality:

- *Always* use new, undamaged paper.
- Before loading paper, know the recommended print side of the paper. This information is usually indicated on the paper package.
- *Do not* use paper that has been cut or trimmed by hand.
- *Do not* mix paper sizes, types, or weights in the same source; mixing results in jams.
- *Do not* use coated papers unless they are specifically designed for electrophotographic printing.

## Selecting preprinted forms and letterhead

Use these guidelines when selecting preprinted forms and letterhead:

- Use grain long for 64–216 g/m<sup>2</sup> (17–58 lb) paper.
- Use only forms and letterhead printed using an offset lithographic or engraved printing process.
- Avoid papers with rough or heavily textured surfaces.

Use papers printed with heat-resistant inks designed for use in xerographic copiers. The ink must be able to withstand temperatures up to 230°C (446°F) without melting or releasing hazardous emissions. Use inks that are not affected by the resin in toner. Inks that are oxidation-set or oil-based generally meet these requirements; latex inks might not. When in doubt, contact the paper supplier.

## Storing paper

Use these paper storage guidelines to help avoid jams and uneven print quality:

- For best results, store paper where the temperature is 21°C (70°F) and the relative humidity is 40%. Most label manufacturers recommend printing in a temperature range of 18 to 24°C (65 to 75°F) with relative humidity between 40 and 60%.
- Store paper in cartons when possible, on a pallet or shelf, rather than on the floor.
- Store individual packages on a flat surface.
- Do not store anything on top of individual paper packages.

## Supported paper sizes, types, and weights

The following tables provide information on standard and optional paper sources and the types of paper they support.

**Note:** For an unlisted paper size, configure a Universal Paper Size.

### Supported paper sizes

Measurements apply to simplex (one-sided) printing only. For duplex (two-sided) printing, the minimum size is 139.7 x 210 mm (5.50 x 8.27 in.).

#### Basic input trays

Paper size	Dimensions	Standard 500-sheet trays (Tray 1 and Tray 2)	Multipurpose feeder
A4	210 x 297 mm (8.27 x 11.7 in.)	✓	✓
A5 <sup>1</sup>	148 x 210 mm (5.83 x 8.27 in.)	✓	✓
A6 <sup>2</sup>	105 x 148 mm (4.13 x 5.83 in.)	X	✓
A3	297 x 420 mm (11.7 x 16.5 in.)	✓	✓
Statement <sup>1, 2</sup>	139.7 x 215.9 mm (5.5 x 8.5 in.)	✓	✓
Oficio (México) <sup>2</sup>	215.9 x 340.4 mm (8.5 x 13.4 in.)	✓	✓
JIS B5 <sup>3</sup>	182 x 257 mm (7.17 x 10.1 in.)	✓	✓
JIS B4	257 x 364 mm (10.1 x 14.3 in.)	✓	✓

<sup>1</sup> The printer trays *cannot* distinguish between A5- and statement-size paper when both sizes are loaded in the printer trays. From the Size Sensing menu, specify which size you want the printer to detect. Load *either* A5- or statement-size paper in the paper trays, but not both.

<sup>2</sup> This paper size is supported only when the source is non-size sensing or when size sensing is disabled.

<sup>3</sup> The printer trays *cannot* distinguish between B5- and Executive-size paper when both sizes are loaded in the trays. From the Size Sensing menu, specify which size you want the printer to detect. Load *either* B5- or Executive-size paper in the paper trays, but not both.

Paper size	Dimensions	Standard 500-sheet trays (Tray 1 and Tray 2)	Multipurpose feeder
<b>Letter</b>	215.9 x 279.4 mm (8.5 x 11 in.)	✓	✓
<b>Tabloid</b>	279.4 x 431.8 mm (11 x 17 in.)	✓	✓
<b>Legal</b>	215.9 x 355.6 mm (8.5 x 14 in.)	✓	✓
<b>Executive<sup>3</sup></b>	184.2 x 266.7 mm (7.25 x 10.5 in.)	✓	✓
<b>Folio</b>	215.9 x 330.2 mm (8.5 x 13 in.)	✓	✓
<b>Universal</b> <b>Note:</b> Turn size sensing off to support universal sizes that are close to standard media sizes.	182 x 431 mm (7.1 x 16.9 in.) to 139.7 x 297 mm (5.5 x 11.7 in.)	✓	✓
	98.4 x 431.8 mm (3.8 x 17 in.) to 89 x 297 mm (3.5 x 11.7 in.) for the multipurpose feeder only.	✓	✓
	148 x 431.8 mm (5.83 x 17 in.) to 140 x 297.2 mm (5.51 x 11.7 in.) for the duplex unit only.	✓	✓
<b>7 3/4 Envelope (Monarch)</b>	98.4 x 190.5 mm (3.875 x 7.5 in.)	X	✓
<b>10 Envelope</b>	104.8 x 241.3 mm (4.12 x 9.5 in.)	X	✓
<b>DL Envelope</b>	110 x 220 mm (4.33 x 8.66 in.)	X	✓
<b>C5 Envelope</b>	162 x 229 mm (6.38 x 9.01 in.)	X	✓
<b>Other Envelope</b>	98.4.7 x 431.8 mm (3.8 x 17 in.) to 89 x 297 mm (3.5 x 11.7 in.)	X	✓

<sup>1</sup> The printer trays *cannot* distinguish between A5- and statement-size paper when both sizes are loaded in the printer trays. From the Size Sensing menu, specify which size you want the printer to detect. Load *either* A5- or statement-size paper in the paper trays, but not both.

<sup>2</sup> This paper size is supported only when the source is non-size sensing or when size sensing is disabled.

<sup>3</sup> The printer trays *cannot* distinguish between B5- and Executive-size paper when both sizes are loaded in the trays. From the Size Sensing menu, specify which size you want the printer to detect. Load *either* B5- or Executive-size paper in the paper trays, but not both.

## Optional input trays

Paper size	Dimensions	Optional 2,000-sheet dual input trays	Optional 2,000-sheet high capacity feeder	Duplex unit
A4	210 x 297 mm (8.27 x 11.7 in.)	✓	✓	✓
A5 <sup>1</sup>	148 x 210 mm (5.83 x 8.27 in.)	X	X	✓
A6 <sup>2</sup>	105 x 148 mm (4.13 x 5.83 in.)	X	X	X
A3	297 x 420 mm (11.7 x 16.5 in.)	X	X	✓
Statement <sup>1, 2</sup>	139.7 x 215.9 mm (5.5 x 8.5 in.)	X	X	✓
Oficio (México) <sup>2</sup>	215.9 x 340.4 mm (8.5 x 13.4 in.)	X	X	✓
JIS B5 <sup>3</sup>	182 x 257 mm (7.17 x 10.1 in.)	✓	✓	✓
JIS B4	257 x 364 mm (10.1 x 14.3 in.)	X	X	✓
Letter	215.9 x 279.4 mm (8.5 x 11 in.)	✓	✓	✓
Tabloid	279.4 x 431.8 mm (11 x 17 in.)	X	X	✓
Legal	215.9 x 355.6 mm (8.5 x 14 in.)	X	X	✓
Executive <sup>3</sup>	184.2 x 266.7 mm (7.25 x 10.5 in.)	✓	✓	✓
Folio	215.9 x 330.2 mm (8.5 x 13 in.)	X	X	✓

<sup>1</sup> The printer trays *cannot* distinguish between A5- and statement-size paper when both sizes are loaded in the printer trays. From the Size Sensing menu, specify which size you want the printer to detect. Load *either* A5- or statement-size paper in the paper trays, but not both.

<sup>2</sup> This paper size is supported only when the source is non-size sensing or when size sensing is disabled.

<sup>3</sup> The printer trays *cannot* distinguish between B5- and Executive-size paper when both sizes are loaded in the trays. From the Size Sensing menu, specify which size you want the printer to detect. Load *either* B5- or Executive-size paper in the paper trays, but not both.

Paper size	Dimensions	Optional 2,000-sheet dual input trays	Optional 2,000-sheet high capacity feeder	Duplex unit
<b>Universal</b> <b>Note:</b> Turn size sensing off to support universal sizes that are close to standard media sizes.	182 x 431 mm (7.1 x 16.9 in.) to 139.7 x 297 mm (5.5 x 11.7 in.)	X	X	X
	98.4 x 431.8 mm (3.8 x 17 in.) to 89 x 297 mm (3.5 x 11.7 in.) for the multipurpose feeder only.	X	X	X
	148 x 431.8 mm (5.83 x 17 in.) to 140 x 297.2 mm (5.51 x 11.7 in.) for the duplex unit only.	X	X	✓
<b>7 3/4 Envelope (Monarch)</b>	98.4 x 190.5 mm (3.875 x 7.5 in.)	X	X	X
<b>10 Envelope</b>	104.8 x 241.3 mm (4.12 x 9.5 in.)	X	X	X
<b>DL Envelope</b>	110 x 220 mm (4.33 x 8.66 in.)	X	X	X
<b>C5 Envelope</b>	162 x 229 mm (6.38 x 9.01 in.)	X	X	X
<b>Other Envelope</b>	98.4.7 x 431.8 mm (3.8 x 17 in.) to 89 x 297 mm (3.5 x 11.7 in.)	X	X	X

<sup>1</sup> The printer trays *cannot* distinguish between A5- and statement-size paper when both sizes are loaded in the printer trays. From the Size Sensing menu, specify which size you want the printer to detect. Load *either* A5- or statement-size paper in the paper trays, but not both.

<sup>2</sup> This paper size is supported only when the source is non-size sensing or when size sensing is disabled.

<sup>3</sup> The printer trays *cannot* distinguish between B5- and Executive-size paper when both sizes are loaded in the trays. From the Size Sensing menu, specify which size you want the printer to detect. Load *either* B5- or Executive-size paper in the paper trays, but not both.

## Supported paper types and weights

The printer engine supports 38–128 g/m<sup>2</sup> (16–32 lb) paper weights.

**Note:** Labels, transparencies, envelopes, and card stock always print at reduced speed.

Paper type	Standard 500-sheet trays (Tray 1 and Tray 2)	Multipurpose tray	Optional 500-sheet trays	Optional 2,000-sheet dual input trays	Optional 2,000-sheet high capacity feeder	Duplex unit
Paper	✓	✓	✓	✓	✓	✓
Card stock	✓	✓	✓	✓	✓	✓
Transparencies	✓	✓	✓	✓	✓	x
Paper Labels	✓	✓	✓	✓	✓	✓
Bond	✓	✓	✓	✓	✓	✓
Letterhead	✓	✓	✓	✓	✓	✓
Envelopes	x	✓	x	x	x	x

# Printing

This chapter covers printing, printer reports, and job cancelation. Selection and handling of paper and specialty media can affect how reliably documents print. For more information, see “Avoiding jams” on page 233 and “Storing paper” on page 67.

## Printing a document

- 1 Load paper into a tray or drawer.
- 2 From the Paper menu, set the Paper Type and Paper Size to the type and size of paper you have loaded.
- 3 Do one of the following:

### For Windows users

- a With a document open, click **File > Print**.
- b Click **Properties, Preferences, Options, or Setup**.
- c From the Form Source list box, select the source containing the paper you have loaded.
- d From the Form Type list box, select the type of paper you have loaded.
- e From the Form Size list box, select the size of paper you have loaded.
- f Click **OK**, and then click **Print**.

### For Macintosh users

In Mac OS X:

- a Customize the settings as needed in the Page Setup dialog:
  - 1 With a document open, choose **File > Page Setup**.
  - 2 From the Paper Size pop-up menu, choose a paper size that matches the size of the loaded paper, or create a custom size.
  - 3 Click **OK**.
- b Customize the settings as needed in the Print dialog:
  - 1 With a document open, click **File > Print**.  
If necessary, click the disclosure triangle to see more options.
  - 2 From the print options or Copies & Pages pop-up menu, choose **Printer Features**.
  - 3 From the Feature Sets pop-up menu, choose **Paper**.
  - 4 From the Paper type pop-up menu, choose a paper type.
  - 5 Click **Print**.

In Mac OS 9:

- a Customize the settings as needed in the Page Setup dialog:
  - 1 With a document open, choose **File > Page Setup**.
  - 2 From the Paper pop-up menu, choose a paper size or create a custom size to match the loaded paper.
  - 3 Click **OK**.



- b** Customize the settings as needed in the Print dialog:
  - 1** With a document open, choose **File > Print**.
  - 2** Select a Paper Source option, and then choose the tray loaded with the appropriate paper.
  - 3** Click **Print**.

## Printing on specialty media

### Tips on using letterhead

Check with the manufacturer or vendor to determine whether the chosen preprinted letterhead is acceptable for laser printers.

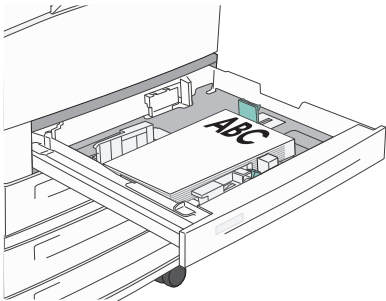
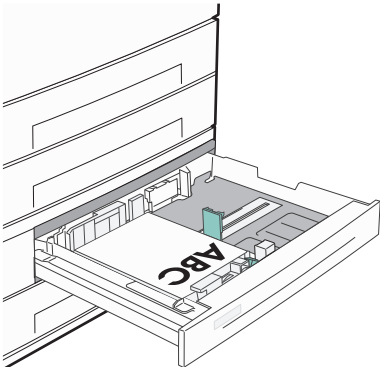
### Placing paper in the trays

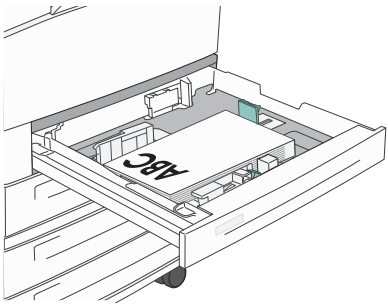
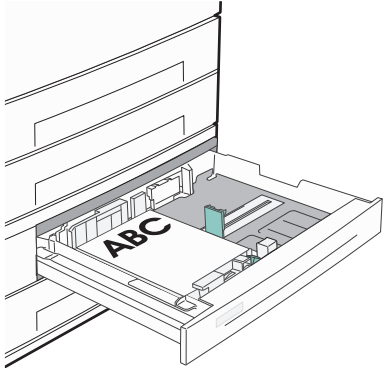
Page orientation is important when printing on letterhead. Use the following sections to determine which direction to load the letterhead.

Source or process	Print side
Standard 500-sheet trays Optional 500-sheet trays Optional 2,000-sheet dual input trays	Preprinted letterhead design is placed faceup.
Optional 2,000-sheet high capacity feeder	Preprinted letterhead design is placed facedown.
Multipurpose tray (simplex printing)	Preprinted letterhead design is placed facedown.
Duplex (two-sided) printing from trays	Preprinted letterhead design is placed facedown. Sheet placement is faceup in the 2,000-sheet high capacity feeder and the multipurpose feeder.

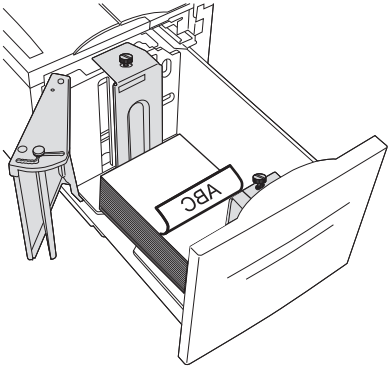
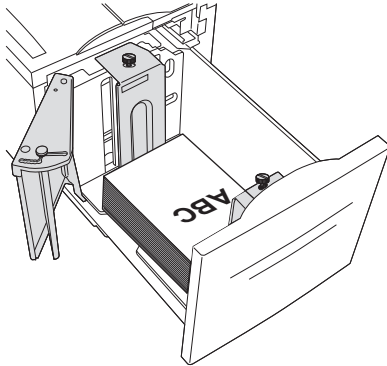
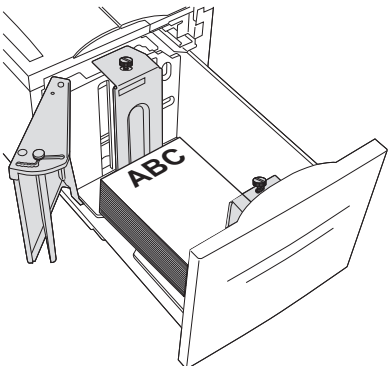
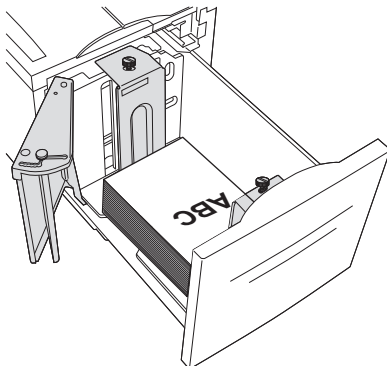
### Orienting the paper for long- or short-edge printing

#### Paper trays

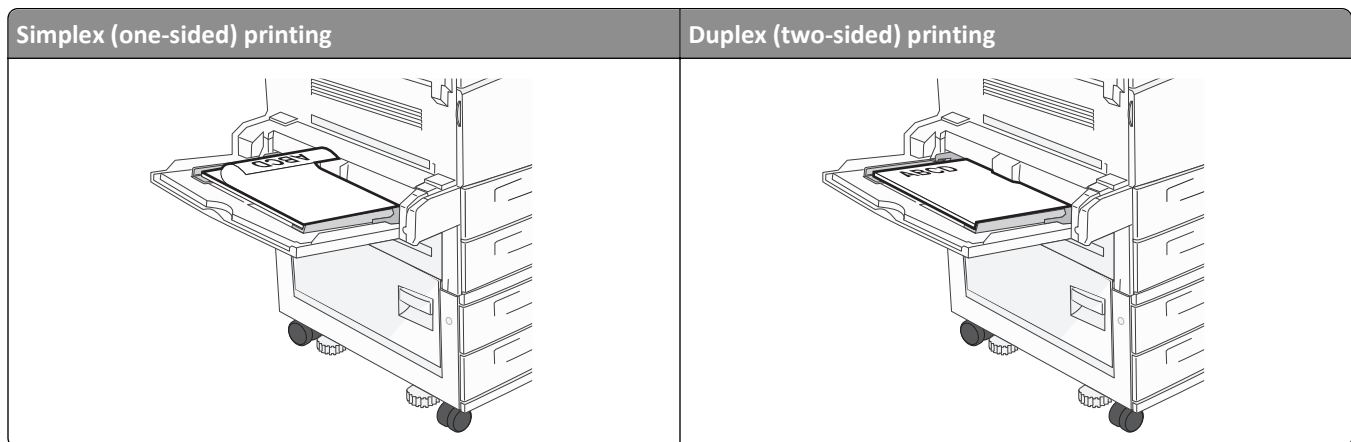
Short-edge orientation	Long-edge orientation
With finisher 	With finisher 

Short-edge orientation	Long-edge orientation
<p data-bbox="149 275 331 304">Without finisher</p> 	<p data-bbox="815 275 997 304">Without finisher</p> 

**High capacity feeder**

Without finisher	With finisher
 <p data-bbox="149 1264 457 1293">Simplex (one-sided) printing</p>	 <p data-bbox="815 1264 1123 1293">Simplex (one-sided) printing</p>
 <p data-bbox="149 1690 451 1719">Duplex (two-sided) printing</p>	 <p data-bbox="815 1690 1117 1719">Duplex (two-sided) printing</p>

## Multipurpose tray



## Tips on using transparencies

Print samples on the transparencies being considered for use before buying large quantities.

- Feed transparencies from the standard tray or the multipurpose feeder.
- From the Paper menu, set the Paper Type to Transparency.
- Use transparencies designed specifically for laser printers. Transparencies must be able to withstand temperatures of 230°C (446°F) without melting, discoloring, offsetting, or releasing hazardous emissions.
- To prevent print quality problems, avoid getting fingerprints on the transparencies.
- Before loading transparencies, fan the stack to prevent sheets from sticking together.
- We recommend Lexmark transparencies. For ordering information, see the Lexmark Web site at [www.lexmark.com](http://www.lexmark.com).

## Tips on using envelopes

Print samples on the envelopes being considered for use before buying large quantities.

- Use envelopes designed specifically for laser printers. Check with the manufacturer or vendor to ensure that the envelopes can withstand temperatures up to 220°C (446°F) without sealing, wrinkling, curling excessively, or releasing hazardous emissions.
- For best performance, use envelopes made from 90 g/m<sup>2</sup> (24 lb bond) paper or 25% cotton. All-cotton envelopes must not exceed 70 g/m<sup>2</sup> (20 lb bond) weight.
- Use only new envelopes from undamaged packages.
- To optimize performance and minimize jams, do not use envelopes that:
  - Have excessive curl or twist
  - Are stuck together or damaged in any way
  - Have windows, holes, perforations, cutouts, or embossing
  - Have metal clasps, string ties, or folding bars
  - Have an interlocking design
  - Have postage stamps attached
  - Have any exposed adhesive when the flap is in the sealed or closed position

- Have bent corners
- Have rough, cockle, or laid finishes
- Adjust the width guides to fit the width of the envelopes.

**Note:** A combination of high humidity (over 60%) and the high printing temperature may wrinkle or seal envelopes.

## Tips on using labels

Print samples on the labels being considered for use before buying large quantities.

**Note:** Paper labels are supported. Other media such as vinyl may show print quality defects in some environments, and prolonged vinyl label usage may reduce fuser life.

For detailed information on label printing, characteristics, and design, see the *Card Stock & Label Guide* available on the Lexmark Web site at <http://support.lexmark.com>.

When printing on labels:

- Use labels designed specifically for laser/LED printers. Check with the manufacturer or vendor to verify that:
  - The labels can withstand temperatures up to 190°C (374°F) without sealing, excessive curling, wrinkling, or releasing hazardous emissions.
  - Label adhesives, face sheet (printable stock), and topcoats can withstand up to 25 psi (172 kPa) pressure without delaminating, oozing around the edges, or releasing hazardous fumes.
- Do not use labels with slick backing material.
- Use full label sheets. Partial sheets may cause labels to peel off during printing, resulting in a jam. Partial sheets also contaminate the printer and the cartridge with adhesive, and could void the printer and cartridge warranties.
- Do not use labels with exposed adhesive.
- Do not print within 1 mm (0.04 in.) of the edge of the label, of the perforations, or between die-cuts of the label.
- Be sure adhesive backing does not reach to the sheet edge. Zone coating of the adhesive at least 1 mm (0.04 in.) away from edges is recommended. Adhesive material contaminates the printer and could void the warranty.
- If zone coating of the adhesive is not possible, remove a 1.6 mm (0.06 in.) strip on the leading and driver edge, and use a non-oozing adhesive.
- Portrait orientation works best, especially when printing bar codes.

## Tips on using card stock

Card stock is heavy, single-ply specialty media. Many of its variable characteristics, such as moisture content, thickness, and texture, can significantly impact print quality. Print samples on the card stock being considered for use before buying large quantities.

- From the Paper menu, set the Paper Type to Card Stock.
- Select the appropriate Paper Texture setting.
- Be aware that preprinting, perforation, and creasing may significantly affect the print quality and cause jams or other paper handling problems.
- Check with the manufacturer or vendor to ensure the card stock can withstand temperatures up to 220°C (446°F) without releasing hazardous emissions.
- Do not use preprinted card stock manufactured with chemicals that may contaminate the printer. Preprinting introduces semi-liquid and volatile components into the printer.
- Use grain short card stock when possible.

## Printing confidential and other held jobs

### Holding jobs in the printer

When sending a job to the printer, you can specify that you want the printer to hold the job in memory until you start the job from the printer control panel. All print jobs that can be initiated by the user at the printer are called *held jobs*.

**Note:** Confidential, Verify, Reserve, and Repeat print jobs may be deleted if the printer requires extra memory to process additional held jobs.

Job type	Description
Confidential	When you send a Confidential print job to the printer, you must create a PIN from the computer. The PIN must be four digits using the numbers 0–9. The job is held in printer memory until you enter the PIN from the printer control panel and choose to print or delete the job.
Verify	When you send a Verify print job, the printer prints one copy and holds the remaining copies in printer memory. Verify lets you examine the first copy to see if it is satisfactory before printing the remaining copies. Once all copies are printed, the job is automatically deleted from printer memory.
Reserve	When you send a Reserve print job, the printer does not print the job immediately. It stores the job in memory so you can print the job later. The job is held in memory until you delete it from the Held Jobs menu.
Repeat	When you send a Repeat print job, the printer prints all requested copies of the job <i>and</i> stores the job in memory so you can print additional copies later. You can print additional copies as long as the job remains stored in memory.

Other types of held jobs include:

- Profiles from various sources including Lexmark Document Solutions Suite (LDSS)
- Forms from a kiosk
- Bookmarks
- Jobs not printed, which are called *parked jobs*

### Printing confidential and other held jobs from Windows

**Note:** Confidential and Verify print jobs are automatically deleted from memory after they print. Repeat and Reserve jobs continue to be held in the printer until you choose to delete them.

- 1 With a document open, click **File > Print**.
- 2 Click **Properties, Preferences, Options, or Setup**.
- 3 Click **Other Options**, and then click **Print and Hold**.
- 4 Select your job type (Confidential, Reserve, Repeat, or Verify), and then assign a user name. For a confidential job, also enter a four-digit PIN.
- 5 Click **OK** or **Print**, and then go to the printer to release the job.
- 6 On the home screen, touch **Held jobs**.

- 7 Touch your user name.  
**Note:** A maximum of 500 results can be displayed for held jobs. If your name does not appear, touch the down arrow until your name appears, or touch **Search Held Jobs** if there are a large number of held jobs in the printer.
- 8 Touch **Confidential Jobs**.
- 9 Enter your PIN.
- 10 Touch the job you want to print.
- 11 Touch **Print**, or touch the arrows to increase or decrease the number of copies, and then touch **Print**.

## Printing confidential and other held jobs from a Macintosh computer

**Note:** Confidential and Verify print jobs are automatically deleted from memory after they print. Repeat and Reserve jobs continue to be held in the printer until you choose to delete them.

- 1 With a document open, choose **File > Print**.  
If necessary, click the disclosure triangle to see more options.
- 2 From the print options or Copies & Pages pop-up menu, choose **Job Routing**.
- 3 Select your job type (Confidential, Reserve, Repeat, or Verify), and then assign a user name. For a confidential job, also enter a four-digit PIN.
- 4 Click OK or Print, and then go to the printer to release the job.
- 5 On the home screen, touch **Held jobs**.
- 6 Touch your user name.  
**Note:** A maximum of 500 results can be displayed for held jobs. If your name does not appear, touch the down arrow until your name appears, or touch **Search Held Jobs** if there are a large number of held jobs in the printer.
- 7 Touch **Confidential Jobs**.
- 8 Enter your PIN.
- 9 Touch the job you want to print.
- 10 Touch **Print**, or touch the arrows to increase or decrease the number of copies, and then touch **Print**.

## Printing from a flash drive

A USB port is located on the printer control panel. Insert a flash drive to print supported file types. Supported file types include: .pdf, .gif, .jpeg, .jpg, .bmp, .png, .tiff, .tif, .pcx, .html, .xps, and .dcx.

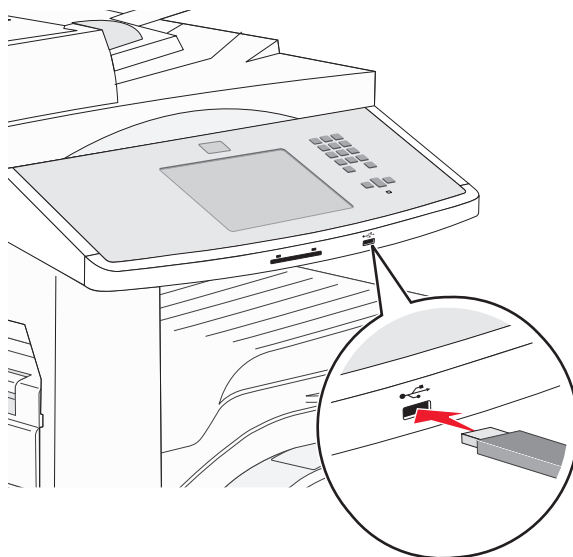
Lexmark has tested and approved the following USB flash memory devices:

- Lexar FireFly 512 MB
- Lexar FireFly 1 GB
- SanDisk Cruizer Micro 512 MB
- SanDisk Cruizer Micro 1 GB
- Sony 512 MB
- Sony 1 GB

### Notes:

- Hi-Speed flash drives must support the USB 2.0 specification, specifically supporting the High Speed mode.
- USB devices must support the FAT (*File Allocation Tables*) system. Devices formatted with NTFS (*New Technology File System*) or any other file system are not supported.
- If selecting an encrypted .pdf file, then enter the file password from the printer control panel.
- Before printing an encrypted .pdf file, enter the file password from the printer control panel.
- You cannot print files for which you do not have printing permissions.

- 1 Make sure the printer is on and **Ready** appears.
- 2 Insert a flash drive into the USB port.



### Notes:

- If you insert the flash drive when the printer requires attention, such as when a jam has occurred, then the printer ignores the flash drive.
- If you insert the flash drive while the printer is printing other jobs, then **Printer Busy** appears. After the other jobs are processed, you may need to view the held jobs list to print documents from the flash drive.

3 Touch the document you want to print.

**Note:** Folders found on the flash drive appear as folders. File names are appended by the extension type (for example, .jpg).

4 Touch the arrows if you want to increase the number of printed copies.

5 Touch **Print**.

## Printing information pages

### Printing a font sample list

To print samples of the fonts currently available for your printer:

1 Make sure the printer is on and **Ready** appears.

2 On the home screen, touch **Menus**.

3 Touch **Reports**.


4 Touch the up or down arrow until **Print Fonts** appears, and then touch **Print Fonts**.

5 Touch **PCL Fonts** or **PostScript Fonts**.

### Printing a directory list

A directory list shows the resources stored in flash memory or on the printer hard disk.

1 Make sure the printer is on and **Ready** appears.

2 On the home screen, touch .

3 Touch **Reports**.

4 Touch the down arrow until **Print Directory** appears.

5 Touch **Print Directory**.

### Printing the print quality test pages

Print the print quality test pages to isolate print quality problems.

1 Turn the printer off.

2 Hold down  and  while turning the printer on.

3 Release the buttons when the screen with the progress bar appears.

The printer performs a power-on sequence, and then the Configuration menu appears.

4 Touch the down arrow until **Print Quality Pages** appears.


5 Touch **Print Quality Pages Menu**.

6 Touch **Print Quality Pages**.



## Canceling a print job

### Canceling a print job from the printer control panel

- 1 Touch **Cancel Jobs** on the touch screen, or press  on the keypad.
- 2 Touch the job you want to cancel.
- 3 Touch **Delete Selected Jobs**.

### Canceling a print job from the computer

#### For Windows users


- 1 Open the printers folder.

##### In Windows 8

From the Search charm, type **run**, and then navigate to:

Apps list > **Run** > type **control printers** > **OK**

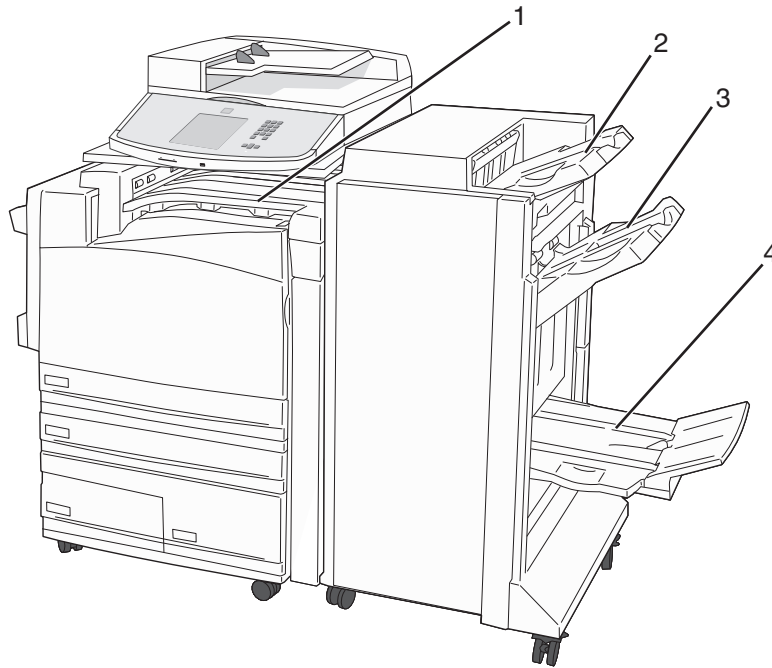
##### In Windows 7 or earlier

- a Click  or click **Start**, and then click **Run**.
  - b In the Start Search or Run dialog, type **control printers**.
  - c Press **Enter**, or click **OK**.
- 2 Double-click the printer icon.
  - 3 Select the print job you want to cancel.
  - 4 Click **Delete**.

#### For Macintosh users

- 1 From the Apple menu, navigate to either of the following:
  - **System Preferences > Print & Scan > select your printer > Open Print Queue**
  - **System Preferences > Print & Fax > select your printer > Open Print Queue**
- 2 From the printer window, select the print job you want to cancel, and then delete it.

## Supported finishing features



1	Standard bin
2	Finisher Bin 1
3	Finisher Bin 2
4	Finisher Bin 3

### Standard bin

- The paper capacity is 300 sheets.
- Finishing options are not supported in this bin.
- Envelopes are routed here.

### Finisher Bin 1

- The paper capacity is 500 sheets of A4/Letter and 300 sheets of A3/Ledger.
- Envelopes, A5, A6 and Statement are not supported in this bin.
- Finishing options are not supported in this bin.

### Finisher Bin 2

- The paper capacity is 3,000 sheets when the standard finisher is installed.
- If booklet finisher is installed, capacity is reduced to 1,500 sheets.

### Finisher Bin 2 finishing features

Size	Two-hole punch*	Three- or Four-hole punch	Offset	Single staple	Dual staple
A3	✓	✓	✓	✓	✓
A4	✓	✓ <b>Note:</b> Supported only if feeding orientation is long edge.	✓	✓	✓ <b>Note:</b> Supported only if feeding orientation is long edge.
A5	X	X	X	X	X
Executive	✓	✓	✓	✓	✓
Folio	✓	X	✓	✓	✓
JIS B4	✓	✓	✓	✓	✓
JIS B5	✓	✓	✓	✓	✓
Legal	✓	X	✓	✓	✓
Letter	✓	✓ <b>Note:</b> Supported only if feeding orientation is long edge.	✓	✓	✓ <b>Note:</b> Supported only if feeding orientation is long edge.
Statement	X	X	X	X	✓
Tabloid	✓	✓	✓	✓	✓
Universal	X	X	✓	✓	✓
Envelopes (any size)	X	X	X	X	X
Oficio	✓	X	✓	✓	✓

\* For the Universal paper size, the finishing edge must be at least 9 in. (229 mm) for a 3-hole punch and 10 in. (254 mm) for a 4-hole punch.

**Punch**—Two-, three-, or four-hole punch settings

**Single staple**—One staple

**Dual staple**—Two staples

### Finisher Bin 3

Bin 3 is available only when the booklet finisher is installed. The paper capacity of Bin 3 (booklet-maker) is 1,500 sheets or 18 sets of 15-page booklets.

### Bin 3 finishing features

Size	Bi fold	Booklet fold	Saddle staple
A3	✓	✓	✓
A4 (only SEF)	✓	✓	✓
A5	X	X	X
Executive	X	X	X
Folio	✓	✓	✓
JIS B4	✓	✓	✓
JIS B5	X	X	X
Legal	✓	✓	✓
Letter (only SEF)	✓	✓	✓
Statement	X	X	X
Tabloid	✓	✓	✓
Universal	X	X	X
Envelopes (any size)	X	X	X

SEF—The paper is loaded in the short edge orientation. The short edge of the paper enters the printer first.

Bi fold—Each page is individually folded and stacked separately.

Booklet fold—A multiple-page job is folded along the center into a single booklet.

Saddle staple—A booklet-fold print job is stapled along the center fold.

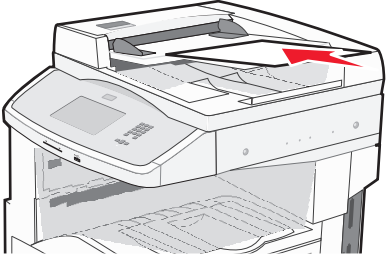
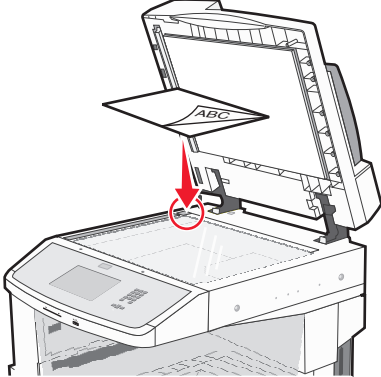
## Adjusting toner darkness

- 1 Type the printer IP address into the address field of your Web browser.

**Note:** If you do not know the IP address of the printer, then print a network setup page and locate the IP address in the TCP/IP section.

- 2 Click **Settings**.
- 3 Click **Print Settings**.
- 4 Click **Quality Menu**.
- 5 Adjust the toner darkness setting.
- 6 Click **Submit**.


## Copying

ADF	Scanner glass
 <p>Use the ADF for multiple-page documents.</p>	 <p>Use the scanner glass for single pages, small items (such as postcards or photos), transparencies, photo paper, or thin media (such as magazine clippings).</p>

## Making copies

### Making a quick copy

- 1 Load an original document faceup, short edge first into the ADF or facedown on the scanner glass.
 

**Note:** Do not load postcards, photos, small items, transparencies, photo paper, or thin media (such as magazine clippings) into the ADF. Place these items on the scanner glass.
- 2 If you are loading a document into the ADF, then adjust the paper guides.
- 3 From the printer control panel, press .
- 4 If you placed the document on the scanner glass, then touch **Finish the Job** to return to the home screen.

### Copying using the ADF

- 1 Load an original document faceup, short edge first into the ADF.
 

**Note:** Do not load postcards, photos, small items, transparencies, photo paper, or thin media (such as magazine clippings) into the ADF. Place these items on the scanner glass.
- 2 Adjust the paper guides.
- 3 On the home screen, touch **Copy**, or use the keypad to enter the number of copies.
 

The copy screen appears.
- 4 Change the copy settings as needed.
- 5 Touch **Copy It**.

## Copying using the scanner glass

- 1 Place an original document facedown on the scanner glass in the upper left corner.
- 2 On the home screen, touch **Copy**, or use the keypad to enter the number of copies.  
The copy screen appears.
- 3 Change the copy settings as needed.
- 4 Touch **Copy It**.
- 5 If you have more pages to scan, then place the next document on the scanner glass, and then touch **Scan the Next Page**.
- 6 Touch **Finish the Job** to return to the home screen.

## Copying photos

- 1 Place a photo facedown on the scanner glass in the upper left corner.
- 2 On the home screen, touch **Copy**.
- 3 Touch the left or right arrow under **Content** to select **Photo**.
- 4 Touch **Copy It**.

## Copying on specialty media

### Making transparencies

- 1 Load an original document faceup, short edge first into the ADF or facedown on the scanner glass.  
**Note:** Do not load postcards, photos, small items, transparencies, photo paper, or thin media (such as magazine clippings) into the ADF. Place these items on the scanner glass.
- 2 If you are loading a document into the ADF, then adjust the paper guides.
- 3 On the home screen, touch **Copy**.
- 4 Touch **Copy from**, and then identify the size of the original document.
- 5 Touch **Copy to**, and then touch the tray that contains transparencies, or touch **Manual Feeder** and then place transparencies in the multipurpose feeder.
- 6 Touch the desired size of the transparencies, and then touch **Continue**.
- 7 Touch the arrows until **Transparency** appears.
- 8 Touch **Transparency**, and then touch **Continue**.
- 9 Touch **Copy It**.

## Copying to letterhead

- 1 Load an original document faceup, short edge first into the ADF or facedown on the scanner glass.  
**Note:** Do not load postcards, photos, small items, transparencies, photo paper, or thin media (such as magazine clippings) into the ADF. Place these items on the scanner glass.
- 2 If you are loading a document into the ADF, then adjust the paper guides.
- 3 On the home screen, touch **Copy**.
- 4 Touch **Copy from**, and then identify the size of the original document.
- 5 Touch **Copy to**, and then touch **Manual Feeder** and place letterhead face down, top edge first in the multipurpose feeder.
- 6 Touch the desired size of the letterhead, and then touch **Continue**.
- 7 Touch the arrows until **Letterhead** appears.
- 8 Touch **Letterhead**, and then touch **Continue**.
- 9 Touch **Copy It**.

## Customizing copy settings

### Copying from one size to another

- 1 Load an original document faceup, short edge first into the ADF or facedown on the scanner glass.  
**Note:** Do not load postcards, photos, small items, transparencies, photo paper, or thin media (such as magazine clippings) into the ADF. Place these items on the scanner glass.
- 2 If you are loading a document into the ADF, then adjust the paper guides.
- 3 On the home screen, touch **Copy**.
- 4 Touch **Copy from**, and then identify the size of the original document.
- 5 Touch **Copy to**, and then select the size you want the copy to be.  
**Note:** If you select a paper size that is different from the “Copy from” size, then the printer will scale the size automatically.
- 6 Touch **Copy It**.

### Making copies using paper from a selected tray

During the copy process, you can select the tray that contains the paper type of choice. For example, if specialty media is located in the multipurpose feeder, and you want to make copies on that media:

- 1 Load an original document faceup, short edge first into the ADF or facedown on the scanner glass.  
**Note:** Do not load postcards, photos, small items, transparencies, photo paper, or thin media (such as magazine clippings) into the ADF. Place these items on the scanner glass.
- 2 If you are loading a document into the ADF, then adjust the paper guides.

- 3 On the home screen, touch **Copy**.
- 4 Touch **Copy from**, and then identify the size of the original document.
- 5 Touch **Copy to**, and then touch **Manual Feeder** or the tray that contains the paper type you want.  
**Note:** If you choose Manual Feeder, then you will need to also select the paper size and type.
- 6 Touch **Copy It**.

## Copying a document that contains mixed paper sizes

Use the ADF to copy an original document that contains mixed paper sizes. Depending on the paper sizes loaded and the “Copy to” and “Copy from” settings, each copy is either printed on mixed paper sizes (Example 1) or scaled to fit a single paper size (Example 2).

### Example 1: Copying to mixed paper sizes

The printer has two paper trays, one tray loaded with letter-size paper and the other with legal-size paper. A document that contains letter- and legal-size pages needs to be copied.

- 1 Load an original document faceup, short edge first into the ADF or facedown on the scanner glass.  
**Note:** Do not load postcards, photos, small items, transparencies, photo paper, or thin media (such as magazine clippings) into the ADF. Place these items on the scanner glass.
- 2 If you are loading a document into the ADF, then adjust the paper guides.
- 3 On the home screen, touch **Copy**.
- 4 Touch **Copy from**, and then touch **Auto Size Sense**.
- 5 Touch **Copy to**, and then touch **Auto Size Match**.
- 6 Touch **Copy It**.  
The scanner identifies the mixed paper sizes as they scan. Copies are printed on mixed paper sizes corresponding to the paper sizes of the original document.

### Example 2: Copying to a single paper size

The printer has one paper tray, loaded with letter-size paper. A document that contains letter- and legal-size pages needs to be copied.

- 1 Load an original document faceup, short edge first into the ADF or facedown on the scanner glass.  
**Note:** Do not load postcards, photos, small items, transparencies, photo paper, or thin media (such as magazine clippings) into the ADF. Place these items on the scanner glass.
- 2 If you are loading a document into the ADF, then adjust the paper guides.
- 3 On the home screen, touch **Copy**.
- 4 Touch **Copy from**, and then touch **Mixed Sizes**.
- 5 Touch **Copy to**, and then touch **Letter**.
- 6 Touch **Copy It**.  
The scanner identifies the mixed paper sizes as they scan and then scales the legal-size pages to print on letter-size paper.



## Copying on both sides of the paper (duplexing)

- 1 Load an original document faceup, short edge first into the ADF or facedown on the scanner glass.  
**Note:** Do not load postcards, photos, small items, transparencies, photo paper, or thin media (such as magazine clippings) into the ADF. Place these items on the scanner glass.
- 2 If you are loading a document into the ADF, adjust the paper guides.
- 3 On the home screen, touch **Copy**.
- 4 From the Sides (Duplex) area, touch the button that looks the way you want your copies duplexed.  
The first number represents sides of the original documents; the second number represents sides of the copy. For example, select 1-sided to 2-sided if you have 1-sided original documents and you want 2-sided copies.
- 5 Touch **Copy It**.

## Reducing or enlarging copies

Copies can be reduced to 25% of the original document size or enlarged to 400% of the original document size. The factory default setting for Scale is Auto. If you leave Scale set to Auto, the content of your original document will be scaled to fit the size of the paper onto which you are copying.

To reduce or enlarge a copy:

- 1 Load an original document faceup, short edge first into the ADF or facedown on the scanner glass.  
**Note:** Do not load postcards, photos, small items, transparencies, photo paper, or thin media (such as magazine clippings) into the ADF. Place these items on the scanner glass.
- 2 If you are loading a document into the ADF, then adjust the paper guides.
- 3 On the home screen, touch **Copy**.
- 4 From the Scale area, touch the arrows to enlarge or reduce your copies.  
Touching “Copy to” or “Copy from” after setting Scale manually changes the scale value back to Auto.
- 5 Touch **Copy It**.

## Adjusting copy quality

- 1 Load an original document faceup, short edge first into the ADF or facedown on the scanner glass.  
**Note:** Do not load postcards, photos, small items, transparencies, photo paper, or thin media (such as magazine clippings) into the ADF. Place these items on the scanner glass.
- 2 If you are loading a document into the ADF, then adjust the paper guides.
- 3 On the home screen, touch **Copy**.
- 4 Under **Content**, touch the left or right arrow to select what you are copying:
  - **Text**—Used for original documents that are mostly text or line art
  - **Text/Photo**—Used when the original documents are a mixture of text and graphics or pictures

- **Photograph**—Used when the original document is a high-quality photograph or inkjet print
- **Printed Image**—Used when copying halftone photographs, graphics such as documents printed on a laser printer, or pages from a magazine or newspaper that are composed primarily of images

5 Touch **Copy It**.

## Collating copies

If you print multiple copies of a document, then you can choose to print each copy as a set (collated) or to print the copies as groups of pages (not collated).

**Collated**



**Not collated**



By default, Collate is set to On. If you do not want to collate your copies, then change the setting to Off.

To turn collation off:

- 1 Load an original document faceup, short edge first into the ADF or facedown on the scanner glass.
 

**Note:** Do not load postcards, photos, small items, transparencies, photo paper, or thin media (such as magazine clippings) into the ADF. Place these items on the scanner glass.
- 2 If you are loading a document into the ADF, then adjust the paper guides.
- 3 On the home screen, touch **Copy**.
- 4 Use the keypad to enter the number of copies.
- 5 Touch **Off** if you do not want your copies collated.
- 6 Touch **Copy It**.

## Placing separator sheets between copies

- 1 Load an original document faceup, short edge first into the ADF or facedown on the scanner glass.
 

**Note:** Do not load postcards, photos, small items, transparencies, photo paper, or thin media (such as magazine clippings) into the ADF. Place these items on the scanner glass.
- 2 If you are loading a document into the ADF, then adjust the paper guides.
- 3 On the home screen, touch **Copy**.
- 4 Touch **Options**.
- 5 Touch **Separator Sheets**.
 

**Note:** Collate must be On for the separator sheets to be placed between copies. If Collate is Off, the separator sheets are added to the end of the print job.
- 6 Select one of the following:
  - **Between Copies**
  - **Between Jobs**

- **Between Pages**

**7** Touch **Done**.

**8** Touch **Copy It**.

## Copying multiple pages onto a single sheet

In order to save paper, you can copy either two or four consecutive pages of a multiple-page document onto a single sheet of paper.

### Notes:

- The Paper Size must be set to Letter, Legal, A4, or B5 JIS.
  - The Copy Size must be set to 100%.
- 1** Load an original document faceup, short edge first into the ADF or facedown on the scanner glass.  
**Note:** Do not load postcards, photos, small items, transparencies, photo paper, or thin media (such as magazine clippings) into the ADF. Place these items on the scanner glass.
  - 2** If you are loading a document into the ADF, then adjust the paper guides.
  - 3** On the home screen, touch **Copy**.
  - 4** Select a duplex setting.
  - 5** Touch **Options**.
  - 6** Touch **Paper Saver**.
  - 7** Select the desired output.
  - 8** Touch **Print Page Borders** if you want a box drawn around each page of the copies.
  - 9** Touch **Done**.
  - 10** Touch **Copy It**.

## Creating a custom job (job build)

The custom job or job build is used to combine one or more sets of original documents into a single copy job. Each set may be scanned using different job parameters. When a copy job is submitted and Custom Job is enabled, the scanner scans the first set of original documents using the supplied parameters, and then it scans the next set with the same or different parameters.

The definition of a set depends on the scan source:

- If you scan a document on the scanner glass, a set consists of one page.
- If you scan multiple pages using the ADF, a set consists of all scanned pages until the ADF becomes empty.
- If you scan one page using the ADF, a set consists of one page.

For example:

- 1 Load an original document faceup, short edge first into the ADF or facedown on the scanner glass.  
**Note:** Do not load postcards, photos, small items, transparencies, photo paper, or thin media (such as magazine clippings) into the ADF. Place these items on the scanner glass.
- 2 If you are loading a document into the ADF, then adjust the paper guides.
- 3 On the home screen, touch **Copy**.
- 4 Touch **Options**.
- 5 Touch **Custom Job**.
- 6 Touch **On**.
- 7 Touch **Done**.
- 8 Touch **Copy It**.  
When the end of a set is reached, the scan screen appears.
- 9 Load the next document faceup, short edge first into the ADF or facedown on the scanner glass, and then touch **Scan the Automatic Document Feeder** or **Scan the flatbed**.  
**Note:** If required, change the job settings.
- 10 If you have another document to scan, load the next document faceup, short edge first into the ADF or facedown on the scanner glass, and then touch **Scan the Automatic Document Feeder** or **Scan the flatbed**. Otherwise, touch **Finish the job**.

## Placing information on copies

### Placing the date and time at the top of each page

- 1 Load an original document faceup, short edge first into the ADF or facedown on the scanner glass.  
**Note:** Do not load postcards, photos, small items, transparencies, photo paper, or thin media (such as magazine clippings) into the ADF. Place these items on the scanner glass.
- 2 If you are loading a document into the ADF, then adjust the paper guides.
- 3 On the home screen, touch **Copy**.
- 4 Touch **Options**.

- 5 Touch **Header/Footer**.
- 6 Pick an area of the page to place the date and time.
- 7 Touch **Date/Time**, and then touch **Continue**.
- 8 Touch **Done**.
- 9 Touch **Copy It**.

## Placing an overlay message on each page

An overlay message can be placed on each page. The message choices are Urgent, Confidential, Copy, or Draft. To place a message on the copies:

- 1 Load an original document faceup, short edge first into the ADF or facedown on the scanner glass.  
**Note:** Do not load postcards, photos, small items, transparencies, photo paper, or thin media (such as magazine clippings) into the ADF. Place these items on the scanner glass.
- 2 If you are loading a document into the ADF, then adjust the paper guides.
- 3 On the home screen, touch **Copy**.
- 4 Touch **Options**.
- 5 Touch **Overlay**.
- 6 Touch the button containing the overlay you want to use.
- 7 Touch **Done**.
- 8 Touch **Copy It**.

## Canceling a copy job

### Canceling a copy job while the document is in the ADF

When the ADF begins processing a document, the scanning screen appears. To cancel the copy job, touch **Cancel Job** on the touch screen.


A “Canceling scan job” screen appears. The ADF clears all pages in the ADF and cancels the job.

### Canceling a copy job while copying pages using the scanner glass

Touch **Cancel Job** on the touch screen.

A “Canceling scan job” screen appears. Once the job is canceled, the copy screen appears.

### Canceling a copy job while the pages are being printed

- 1 Touch **Cancel Job** on the touch screen, or press  on the keypad.
- 2 Touch the job you want to cancel.

### 3 Touch **Delete Selected Jobs**.

The remaining print job is canceled. The home screen appears.

## Understanding the copy screens and options

### Copy from

This option opens a screen where you can enter the size of the documents you are going to copy.

- Touch a paper size button to select it as the “Copy from” setting. The copy screen appears with your new setting displayed.
- When “Copy from” is set to Mixed Letter/Legal, you can copy an original document that contains mixed paper sizes.
- When “Copy from” is set to Auto Size Sense, the scanner automatically determines the size of the original document.

### Copy to

This option opens a screen where you can enter the size and type of paper on which your copies will be printed.

- Touch a paper size button to select it as the “Copy to” setting. The copy screen appears with your new setting displayed.
- If the size settings for “Copy from” and “Copy to” are different, then the printer automatically adjusts the Scale setting to accommodate the difference.
- If the type or size of paper that you want to copy onto is not loaded in one of the trays, then touch **Manual Feeder**, and manually send the paper through the multipurpose feeder.
- When “Copy to” is set to Auto Size Match, each copy matches the size of the original document. If a matching paper size is not in one of the trays, then the printer scales each copy to fit loaded paper.

### Scale

This option creates an image from your copy that is proportionally scaled anywhere between 25% and 400%. Scale can also be set for you automatically.

- When you want to copy from one size of paper to another, such as from legal-size to letter-size paper, setting the “Copy from” and “Copy to” paper sizes automatically changes the scale to keep all the original document information on your copy.
- Touch the left arrow to decrease the value by 1%; touch the right arrow to increase the value by 1%.
- Hold your finger on an arrow to make a continuous increment change.
- Hold your finger on an arrow for two seconds to cause the pace of the change to accelerate.

### Darkness

This option adjusts how light or dark your copies will turn out in relation to the original document.

## Content

This option tells the printer the original document type. Choose from Text, Text/Photo, Photograph, or Printed Image.

- **Text**—Emphasize sharp, black, high-resolution text against a clean, white background
- **Text/Photo**—Used when the original documents are a mixture of text and graphics or pictures
- **Photograph**—Tells the scanner to pay extra attention to graphics and pictures. This setting increases the time it takes to scan, but emphasizes a reproduction of the full dynamic range of tones in the original document.
- **Printed Image**—Used when copying halftone photographs, graphics such as documents printed on a laser printer, or pages from a magazine or newspaper that are composed primarily of images

## Sides (Duplex)

Use this option to select duplex settings. You can print copies on one or two sides, make two-sided copies (duplex) of two-sided original documents, make two-sided copies from one-sided original documents, or make one-sided copies (simplex) from two-sided original documents.

## Collate

This option keeps the pages of a print job stacked in sequence when printing multiple copies of the document. The factory default setting for Collate is on; the output pages of your copies will be ordered (1,2,3) (1,2,3) (1,2,3). If you want all the copies of each page to remain together, turn Collate off, and your copies will be ordered (1,1,1) (2,2,2) (3,3,3).

## Options

Touching the Options button opens a screen where you can change Paper Saver, Advanced Imaging, Custom Job, Separator Sheets, Margin Shift, Edge Erase, Header/Footer, Create Booklet, Overlay, Advanced Duplex, and Save as Shortcut settings.

### Create Booklet

This option creates a sequence of collated output that, when folded or folded and stapled, forms a booklet half the page size of the original document and with all the pages in order.

#### Notes:

- Create Booklet is incompatible with Staple, Hole Punch, Margin Shift, and Paper Saver.
- If Create Booklet is on, then turning Margin Shift on will turn off Create Booklet, although the duplex value from Create Booklet will stay on.

### Paper Saver

This option lets you print two or more sheets of an original document together on the same page. Paper Saver is also called N-up printing. The N stands for Number. For example, 2-up would print two pages of your document on a single page, and 4-up would print four pages of your document on a single page. Touching Print Page Borders adds or removes the outline border surrounding the original document pages on the output page.

## Advanced Imaging

This option lets you adjust Background Removal, Contrast, Shadow Detail, Scan Edge to Edge, Color Dropout, Auto Color, Negative Image Sharpness and Mirror Image before you copy the document.

## Custom Job

This option combines multiple scanning jobs into a single job.

**Note:** Custom Job may not be available on all models.

## Separator Sheets

This option places a blank piece of paper between copies, pages, and print jobs. The separator sheets can be drawn from a tray that contains a type or color of paper that is different from the paper your copies are printed on.

## Margin Shift

This option increases the size of the margin a specified distance. This can be useful in providing space to bind or hole-punch copies. Use the increase or decrease arrows to set how much of a margin you want. If the additional margin is too large, then the copy will be cropped.

## Edge Erase

This option eliminates smudges or information around the edges of your document. You can choose to eliminate an equal area around all four sides of the paper, or pick a particular edge. Edge Erase erases whatever is within the selected area, leaving nothing printed on that portion of the paper.

## Header/Footer

This option turns on the Date/Time, Page number, Bates number, or Custom text and prints them in the specified header or footer location.

## Overlay

This option creates a watermark (or message) that overlays the content of your copy. You can choose between Urgent, Confidential, Copy, and Draft, or you can enter a custom message in the "Enter custom text" field. The word you pick will appear, faintly, in large print across each page.

**Note:** A custom overlay can also be created by your system support person. When a custom overlay is created, a button with an icon of that overlay will be available.

## Advanced Duplex

This option controls whether the documents are one-sided or two-sided, what orientation your original documents have, and how your documents are bound.

## Save as Shortcut

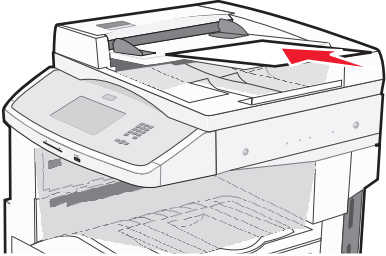
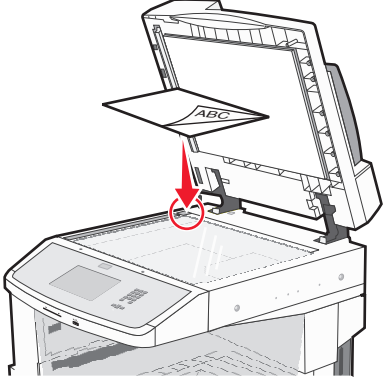
This option allows the current settings to be saved as a shortcut.



## Improving copy quality

Question	Tip
When should I use Text mode?	<ul style="list-style-type: none"><li>• Use text mode when text preservation is the main goal of the copy, and preserving images copied from the original document is not a concern.</li><li>• Text mode is recommended for receipts, carbon copy forms, and documents that contain only text or fine line art.</li></ul>
When should I use Text/Photo mode?	<ul style="list-style-type: none"><li>• Use Text/Photo mode when copying an original document that contains a mixture of text and graphics.</li><li>• Text/Photo mode is recommended for magazine articles, business graphics, and brochures.</li></ul>
When should I use Printed Image mode?	Use Printed Image mode when copying halftone photographs, graphics such as documents printed on a laser printer, or pages from a magazine or newspaper
When should I use Photograph mode?	Use Photograph mode when the original document is a high-quality photograph or inkjet print.

## E-mailing

ADF	Scanner glass
 <p data-bbox="151 701 613 730">Use the ADF for multiple-page documents.</p>	 <p data-bbox="630 827 1409 919">Use the scanner glass for single pages, small items (such as postcards or photos), transparencies, photo paper, or thin media (such as magazine clippings).</p>

You can use the printer to e-mail scanned documents to one or more recipients. There are three ways to send an e-mail from the printer. You can type the e-mail address, use a shortcut number, or use the address book.

## Getting ready to e-mail

### Setting up the e-mail function

For e-mail to operate, it must be turned on in the printer configuration and have a valid IP address or gateway address. To set up the e-mail function:

- 1 Type the printer IP address into the address field of your Web browser.  
**Note:** If you do not know the IP address of the printer, then print a network setup page and locate the IP address in the TCP/IP section.
- 2 Click **Settings**.
- 3 Under Default Settings, click **E-mail/FTP Settings**.
- 4 Click **E-mail Settings**.
- 5 Click **Setup E-mail Server**.
- 6 Fill in the fields with the appropriate information.
- 7 Click **Submit**.

## Configuring the e-mail settings

- 1 Type the printer IP address into the address field of your Web browser.  
**Note:** If you do not know the IP address of the printer, then print a network setup page and locate the IP address in the TCP/IP section.
- 2 Click **Settings**.
- 3 Click **E-mail/FTP Settings**.
- 4 Click **E-mail Settings**.
- 5 Fill in the fields with the appropriate information.
- 6 Click **Submit**.

## Creating an e-mail shortcut

### Creating an e-mail shortcut using the Embedded Web Server

- 1 Type the printer IP address into the address field of your Web browser.  
**Note:** If you do not know the IP address of the printer, then print a network setup page and locate the IP address in the TCP/IP section.
- 2 Click **Settings**.
- 3 Under Other Settings, click **Manage Shortcuts**.
- 4 Click **E-mail Shortcut Setup**.
- 5 Type a unique name for the recipient, and then enter the e-mail address.  
**Note:** If you are entering multiple addresses, then separate each address with a comma (,).
- 6 Select the scan settings (Format, Content, Color, and Resolution).
- 7 Enter a shortcut number, and then click **Add**.  
If you enter a number that is already in use, then you are prompted to select another number.

### Creating an e-mail shortcut using the touch screen

- 1 On the home screen, touch **E-mail**.
- 2 Type the recipient's e-mail address.  
To create a group of recipients, touch **Next address**, and then type the next recipient's e-mail address.
- 3 Touch **Save as Shortcut**.
- 4 Type a unique name for the shortcut, and then touch **Enter**.
- 5 Verify that the shortcut name and number are correct, and then touch **OK**.  
If the name or number is incorrect, then touch **Cancel**, and then reenter the information.

## E-mailing a document

### Sending an e-mail using the touch screen

- 1 Load an original document faceup, short edge first into the ADF or facedown on the scanner glass.  
**Note:** Do not load postcards, photos, small items, transparencies, photo paper, or thin media (such as magazine clippings) into the ADF. Place these items on the scanner glass.
- 2 If you are loading a document into the ADF, then adjust the paper guides.
- 3 On the home screen, touch **E-mail**.
- 4 Enter the e-mail address or shortcut number.  
To enter additional recipients, touch **Next Address**, and then enter the address or shortcut number you want to add.
- 5 Touch **E-mail It**.

### Sending an e-mail using a shortcut number

- 1 Load an original document faceup, short edge first into the ADF or facedown on the scanner glass.  
**Note:** Do not load postcards, photos, small items, transparencies, photo paper, or thin media (such as magazine clippings) into the ADF. Place these items on the scanner glass.
- 2 If you are loading a document into the ADF, then adjust the paper guides.
- 3 Press **#**, and then enter the shortcut number using the keypad.  
To enter additional recipients, press **Next address**, and then enter the address or shortcut number you want to add.
- 4 Touch **E-mail It**.

### Sending an e-mail using the address book

- 1 Load an original document faceup, short edge first into the ADF or facedown on the scanner glass.  
**Note:** Do not load postcards, photos, small items, transparencies, photo paper, or thin media (such as magazine clippings) into the ADF. Place these items on the scanner glass.
- 2 If you are loading a document into the ADF, adjust the paper guides.
- 3 On the home screen, touch **E-mail**.
- 4 Touch **Search Address Book**.
- 5 Enter the name or part of the name you are searching for, and then touch **Search**.
- 6 Touch the name that you want to add to the To: box.  
To enter additional recipients, press **Next address**, and then enter the address or shortcut number you want to add; or search the address book.
- 7 Touch **E-mail It**.

## Customizing e-mail settings

### Adding e-mail subject and message information

- 1 Load an original document faceup, short edge first into the ADF or facedown on the scanner glass.  
**Note:** Do not load postcards, photos, small items, transparencies, photo paper, or thin media (such as magazine clippings) into the ADF. Place these items on the scanner glass.
- 2 If you are loading a document into the ADF, adjust the paper guides.
- 3 On the home screen, touch **E-mail**.
- 4 Type an e-mail address.
- 5 Touch **Options**.
- 6 Touch **Subject**.
- 7 Type the e-mail subject.
- 8 Touch **Done**.
- 9 Touch **Message**.
- 10 Type an e-mail message.
- 11 Touch **Done**.
- 12 Touch **E-mail It**.

### Changing the output file type

- 1 Load an original document faceup, short edge first into the ADF or facedown on the scanner glass.  
**Note:** Do not load postcards, photos, small items, transparencies, photo paper, or thin media (such as magazine clippings) into the ADF. Place these items on the scanner glass.
- 2 If you are loading a document into the ADF, then adjust the paper guides.
- 3 On the home screen, touch **E-mail**.
- 4 Type an e-mail address.
- 5 Touch **Options**.
- 6 Touch the button that represents the file type you want to send.
  - **PDF**—Creates a single file with multiple pages, viewable with Adobe Reader. Adobe Reader is provided free by Adobe at [www.adobe.com](http://www.adobe.com).
  - **Secure PDF**—Creates an encrypted PDF file that protects the file contents from unauthorized access
  - **TIFF**—Creates multiple files or a single file. If Multi-page TIFF is turned off in the Settings menu of the Embedded Web Server, then TIFF saves one page in each file. The file size is usually larger than an equivalent JPEG.

- **JPEG**—Creates and attaches a separate file for each page of your original document, viewable by most Web browsers and graphics programs
- **XPS**—Creates a single XML Paper Specification (XPS) file with multiple pages, viewable using an Internet Explorer-hosted viewer and the .NET Framework, or by downloading a third party standalone viewer

#### 7 Touch **E-mail It**.

**Note:** If you selected Encrypted PDF, then enter your password twice.

## E-mailing color documents

#### 1 Load an original document faceup, short edge first into the ADF or facedown on the scanner glass.

**Note:** Do not load postcards, photos, small items, transparencies, photo paper, or thin media (such as magazine clippings) into the ADF. Place these items on the scanner glass.

#### 2 If you are loading a document into the ADF, adjust the paper guides.

#### 3 On the home screen, touch **E-mail**.

#### 4 Type an e-mail address.

#### 5 Touch **Options**.

#### 6 Touch **Color**.

#### 7 Touch **E-mail It**.

## Canceling an e-mail

- When using the ADF, touch **Cancel Job** while **Scanning...** appears.
- When using the scanner glass, touch **Cancel Job** while **Scanning...** appears or while **Scan the Next Page / Finish the Job** appears.

## Understanding e-mail options

### Original Size

This option opens a screen where you can choose the size of the documents you are going to e-mail.

- Touch a paper size button to select that size as the Original Size setting. The e-mail screen appears with your new setting displayed.
- When “Original Size” is set to Mixed Letter/Legal, you can scan an original document that contains mixed paper sizes.
- When “Original Size” is set to Auto Size Sense, the scanner automatically determines the size of the original document.

### Sides (Duplex)

This option informs the printer if the original document is simplex (printed on one side) or duplex (printed on both sides). This lets the scanner know what needs to be scanned for inclusion in the e-mail.

## Orientation

This option tells the printer whether the original document is in portrait or landscape orientation and then changes the Sides and Binding settings to match the original document orientation.

## Binding

This option tells the printer whether the original document is bound on the long-edge or short-edge side.

## E-mail Subject

This option lets you enter a subject line for your e-mail. You can enter up to 255 characters.

## E-mail File Name

This option lets you customize the attachment file name.

## E-mail Message

This option lets you enter a message that will be sent with your scanned attachment.

## Resolution

Adjusts the output quality of your e-mail. Increasing the image resolution increases the e-mail file size and the time needed to scan your original document. Image resolution can be decreased to reduce the e-mail file size.

## Send As

This option sets the output (PDF, TIFF, JPEG or XPS) for the scanned image.

- **PDF**—Creates a single file with multiple pages, viewable with Adobe Reader. Adobe Reader is provided free by Adobe at [www.adobe.com](http://www.adobe.com).
- **Secure PDF**—Creates an encrypted PDF file that protects the file contents from unauthorized access
- **TIFF**—Creates multiple files or a single file. If Multi-page TIFF is turned off in the Settings menu of the Embedded Web Server, then TIFF saves one page in each file. The file size is usually larger than an equivalent JPEG.
- **JPEG**—Creates and attaches a separate file for each page of your original document, viewable by most Web browsers and graphics programs
- **XPS**—Creates a single XPS file with multiple pages, viewable using an Internet Explorer-hosted viewer and the .NET Framework, or by downloading a third party standalone viewer

## Content

This option tells the printer the original document type. Choose from Text, Text/Photo, or Photo. Color can be turned on or off with any of the Content choices. Content affects the quality and size of your e-mail.

- **Text**—Emphasizes sharp, black, high-resolution text against a clean, white background
- **Text/Photo**—Used when the original documents are a mixture of text and graphics or pictures

- **Photograph**—Tells the scanner to pay extra attention to graphics and pictures. This setting increases the time it takes to scan, but emphasizes a reproduction of the full dynamic range of tones in the original document. This increases the amount of information saved.
- **Color**—Sets the scan type and output for the e-mail. Color documents can be scanned and sent to an e-mail address.

## Advanced Options

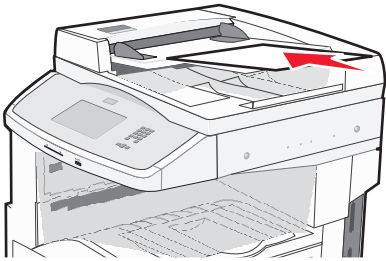
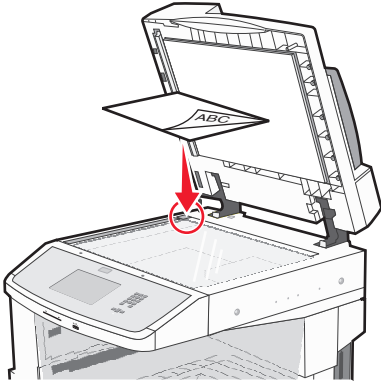
Touching this button opens a screen where you change Advanced Imaging, Custom Job, Transmission Log, Scan Preview, Edge Erase, and Darkness settings.

- **Advanced Imaging**—Adjusts Background Removal, Contrast, Scan Edge to Edge, Shadow Detail, and Mirror Image before you copy the document
- **Custom Job (Job Build)**—Combines multiple scanning jobs into a single job
- **Transmission Log**—Prints the transmission log or transmission error log
- **Scan Preview**—Displays the first page of the image before it is included in the e-mail. When the first page is scanned, the scanning is paused and a preview image appears.
- **Edge Erase**—Eliminates smudges or information around the edges of a document. You can choose to eliminate an equal area around all four sides of the paper, or pick a particular edge. Edge Erase will erase whatever is within the area selected, leaving nothing on that portion of the scan.
- **Darkness**—Adjusts how light or dark your scanned e-mails will turn out



## Faxing

**Note:** Fax capabilities may not be available on all printer models.

ADF	Scanner glass
 <p data-bbox="149 737 613 764">Use the ADF for multiple-page documents.</p>	 <p data-bbox="630 863 1409 953">Use the scanner glass for single pages, small items (such as postcards or photos), transparencies, photo paper, or thin media (such as magazine clippings).</p>

## Getting printer ready to fax

### Initial fax setup

Many countries and regions require outgoing faxes to contain the following information in a margin at the top or bottom of each transmitted page, or on the first page of the transmission: station name (identification of the business, other entity, or individual sending the message) and station number (telephone number of the sending fax machine, business, other entity, or individual).

To enter your fax setup information, use the printer control panel, or use your browser to access the Embedded Web Server and then enter the Settings menu.

**Note:** If you do not have a TCP/IP environment, then you must use the printer control panel to enter your fax setup information.

### Using the printer control panel for fax setup

When the printer is turned on for the first time or if the printer has been off for an extended time, a series of start-up screens appear. If the printer has fax capabilities, then the following screens appear:

Station Name  
Station Number

- 1 When **Station Name** appears, enter the name to be printed on all outgoing faxes.
- 2 After entering the Station Name, touch **Submit**.
- 3 When **Station Number** appears, enter the printer fax number.
- 4 After entering the Station Number, touch **Submit**.

## Using the Embedded Web Server for fax setup

- 1 Type the printer IP address into the address field of your Web browser.

**Note:** If you do not know the IP address of the printer, then print a network setup page and locate the address in the TCP/IP section.

- 2 Click **Settings**.
- 3 Click **Fax Settings**.
- 4 Click **Analog Fax Setup**.
- 5 Click inside the Station Name box, and then enter the name to be printed on all outgoing faxes.
- 6 Click inside the Station Number box, and then enter the printer fax number.
- 7 Click **Submit**.

## Choosing a fax connection

You can connect the printer with equipment such as a telephone, an answering machine, or a computer modem. To determine the best way to set up the printer, see the following table.


### Notes:

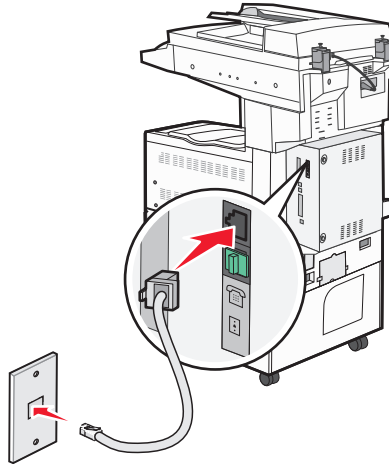
- The printer is an analog device that works best when directly connected to the wall outlet. Other devices (such as a telephone or answering machine) can be successfully attached to pass through the printer, as described in the setup steps.
- If you want a digital connection such as ISDN, DSL, or ADSL, a third-party device (such as a DSL filter) is required. Contact your DSL provider for a DSL filter. The DSL filter removes the digital signal on the telephone line that can interfere with the ability of the printer to fax properly.
- You *do not* need to attach the printer to a computer, but you *do* need to connect it to an analog telephone line to send and receive faxes.

Equipment and service options	Fax connection setup
Connect directly to the telephone line	See "Connecting to an analog telephone line" on page 107.
Connect to a Digital Subscriber Line (DSL or ADSL) service	See "Connecting to a DSL service" on page 107.
Connect to a Private Branch eXchange (PBX) or Integrated Services Digital Network (ISDN) system	See "Connecting to a PBX or ISDN system" on page 108.
Use a Distinctive Ring service	See "Connecting to a distinctive ring service" on page 108.
Connect through an adapter used in your area	See "Connecting to an adapter for your country or region" on page 109.

## Connecting to an analog telephone line


If your telecommunications equipment uses a US-style (RJ11) telephone line, then follow these steps to connect the equipment:

- 1 Connect one end of the telephone cable that came with the printer to the printer LINE port .
- 2 Connect the other end of the telephone cable to an active analog telephone wall jack.



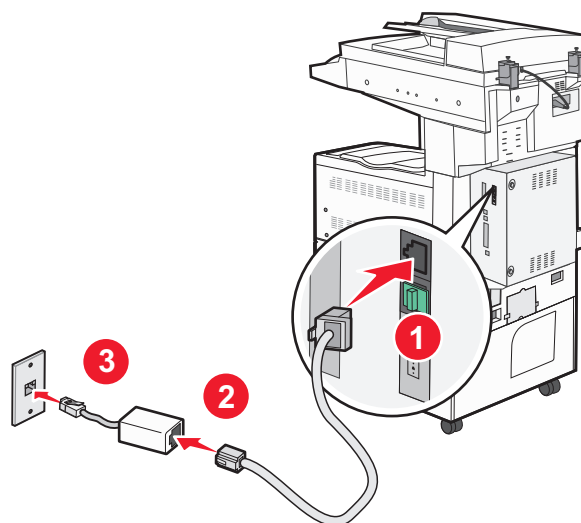
## Connecting to a DSL service

If you subscribe to a DSL service, then contact the DSL provider to obtain a DSL filter and telephone cord, and then follow these steps to connect the equipment:

- 1 Connect one end of the telephone cable that came with the printer to the printer LINE port .
- 2 Connect the other end of the telephone cable to the DSL filter.


**Note:** Your DSL filter may look different than the one in the illustration.

- 3 Connect the DSL filter cable to an active telephone wall jack.



## Connecting to a PBX or ISDN system

If you use a PBX or ISDN converter or terminal adapter, then follow these steps to connect the equipment:


- 1 Connect one end of the telephone cable that came with the printer to the printer LINE port .
- 2 Connect the other end of the telephone cable to the port designated for fax and telephone use.

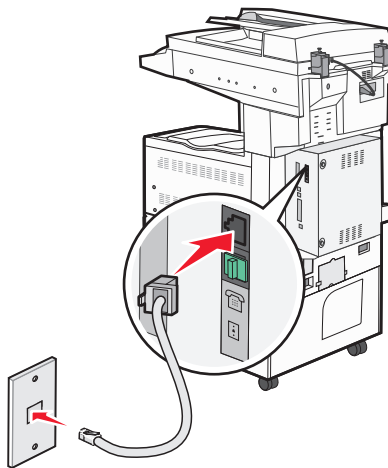
### Notes:

- Make sure the terminal adapter is set to the correct switch type for your region.
- Depending on the ISDN port assignment, you may have to connect to a specific port.
- When using a PBX system, make sure the call waiting tone is off.
- When using a PBX system, dial the outside line prefix before dialing the fax number.
- For more information on using the fax with a PBX system, see the documentation that came with your PBX system.

## Connecting to a distinctive ring service


A distinctive ring service may be available from your telephone service provider. This service allows you to have multiple telephone numbers on one telephone line with each telephone number having a different ring pattern. This may be useful for distinguishing between fax and voice calls. If you subscribe to a distinctive ring service, follow these steps to connect the equipment:

- 1 Connect one end of the telephone cable that came with the printer to the printer LINE port .
- 2 Connect the other end of the telephone cable to an active analog telephone wall jack.



- 3 Change the Distinctive Rings setting to match the setting you want the printer to answer:

**Note:** The factory default setting for distinctive rings is **On**. This allows the printer to answer single, double, and triple ring patterns.

- a On the home screen, touch .
- b Touch **Settings**.
- c Touch **Fax Settings**.
- d Touch **Analog Fax Settings**.
- e Touch the down arrow until **Distinctive Ring Settings** appears

- f** Touch **Distinctive Ring Settings**.
- g** Touch the arrow for the pattern setting you want to change.
- h** Touch **Submit**.


## Connecting to an adapter for your country or region

The following countries or regions may require a special adapter to connect the telephone cable to the active telephone wall jack:

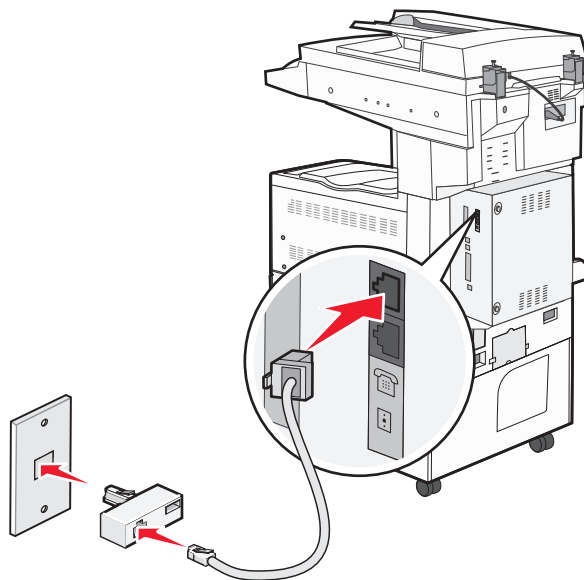
### Country/region

- Austria
- Cyprus
- Denmark
- Finland
- France
- Germany
- Ireland
- Italy
- New Zealand
- Netherlands
- Norway
- Portugal
- Sweden
- Switzerland
- United Kingdom

For some countries or regions, a telephone line adapter is included in the box.

- 1** Connect one end of the telephone cable that came with the printer to the printer LINE port .
- 2** Connect the other end of the telephone cable to the adapter, and then connect the adapter to the active telephone wall jack.

**Note:** Your telephone adapter may look different than the one shown. It will fit the wall jack used in your location.



## Setting the outgoing fax name and number

To have the designated fax name and fax number printed on outgoing faxes:

- 1 Type the printer IP address into the address field of your Web browser.  
**Note:** If you do not know the IP address of the printer, then print a network setup page and locate the address in the TCP/IP section.
- 2 Click **Settings**.
- 3 Click **Fax Settings**.
- 4 Click **Analog Fax Setup**.
- 5 Click **General Fax Settings**.
- 6 Click inside the Station Name box, and then enter the name to be printed on all outgoing faxes.
- 7 Click inside the Station Number box, and then enter the printer fax number.
- 8 Click **Submit**.

## Setting the date and time

You can set the date and time so that they are printed on every fax you send. If there is a power failure, you may have to reset the date and time.

- 1 Type the printer IP address into the address field of your Web browser.  
**Note:** If you do not know the IP address of the printer, then print a network setup page and locate the address in the TCP/IP section.
- 2 Click **Settings**.
- 3 Click **Security**.
- 4 Click **Set Date and Time**.
- 5 Click inside the Set Date & Time box, and then enter the current date and time.
- 6 Click **Submit**.


## Sending a fax

### Sending a fax using the printer control panel

- 1 Load an original document faceup, short edge first into the ADF or facedown on the scanner glass.  
**Note:** Do not load postcards, photos, small items, transparencies, photo paper, or thin media (such as magazine clippings) into the ADF. Place these items on the scanner glass.
- 2 If you are loading a document into the ADF, then adjust the paper guides.
- 3 On the home screen, touch **Fax**.

- 4 Enter the fax number or a shortcut using the touch screen or keypad.

To add recipients, touch **Next Number**, and then enter the recipient's telephone number or shortcut number, or search the address book.

**Note:** To place a dial pause within a fax number, press . The dial pause appears as a comma in the “Fax to” box. Use this feature if you need to dial an outside line first.

- 5 Touch **Fax It**.

## Sending a fax using the computer

Faxing from a computer lets you send electronic documents without leaving your desk. This gives you the flexibility of faxing documents directly from software programs.

**Note:** In order to perform this function from your computer, you must use the PostScript printer driver for your printer.

- 1 From your software program, click **File > Print**.
- 2 From the Print window, select your printer, and then click **Properties**.
- 3 Choose the **Other Options** tab, and then click **Fax**.
- 4 Click **OK**, and then click **OK** again.
- 5 On the Fax screen, type the name and number of the fax recipient.
- 6 Click **Send**.

## Creating shortcuts

### Creating a fax destination shortcut using the Embedded Web Server

Instead of entering the entire phone number of a fax recipient on the printer control panel each time you want to send a fax, you can create a permanent fax destination and assign a shortcut number. A shortcut can be created to a single fax number or a group of fax numbers.

- 1 Type the printer IP address into the address field of your Web browser.

**Note:** If you do not know the IP address of the printer, then print a network setup page and locate the IP address in the TCP/IP section.

- 2 Click **Settings**.
- 3 Click **Manage Shortcuts**.

**Note:** A password may be required. If you do not have an ID and password, get one from your system support person.

- 4 Click **Fax Shortcut Setup**.
- 5 Type a unique name for the shortcut, and then enter the fax number.

To create a multiple-number shortcut, enter the fax numbers for the group.

**Note:** Separate each fax number in the group with a semicolon (;).

6 Assign a shortcut number.

If you enter a number that is already in use, then you are prompted to select another number.

7 Click **Add**.

## Creating a fax destination shortcut using the touch screen

1 Load an original document faceup, short edge first into the ADF or facedown on the scanner glass.

**Note:** Do not load postcards, photos, small items, transparencies, photo paper, or thin media (such as magazine clippings) into the ADF. Place these items on the scanner glass.

2 If you are loading a document into the ADF, then adjust the paper guides.

3 On the home screen, touch **Fax**.


4 Enter the fax number.

To create a group of fax numbers, touch **Next number**, and then enter the next fax number.

5 Touch **Save as Shortcut**.

6 Enter a name for the shortcut.

7 Touch **OK**.

8 Touch **Fax It** to send the fax, or touch  to return to the home screen.

## Changing the fax destination shortcut using the Embedded Web Server

1 Type the printer IP address into the address field of your Web browser.

**Note:** If you do not know the IP address of the printer, then print a network setup page and locate the IP address in the TCP/IP section.

2 Click **Settings**.

3 Click **Manage Shortcuts**.

**Note:** A password may be required. If you do not have an ID and password, get one from your system support person.

4 Click **Fax Shortcut Setup**.

5 Select the list entry, and then update it using the text box.

6 Click **Modify**.




# Using shortcuts and the address book

## Using fax shortcuts

Fax shortcuts are just like the speed dial numbers on a telephone or fax machine. You can assign shortcut numbers when creating permanent fax destinations. Permanent fax destinations or speed dial numbers are created in the Manage Shortcuts link located under Settings on the Embedded Web Server. A shortcut number (1–99999) can contain a single recipient or multiple recipients. By creating a group fax shortcut with a shortcut number, you can quickly and easily fax broadcast information to an entire group.

- 1 Load an original document faceup, short edge first into the ADF or facedown on the scanner glass.

**Note:** Do not place postcards, photos, small items, transparencies, photo paper, or thin media (such as magazine clippings) into the ADF. Place these items on the scanner glass.

- 2 If you are loading a document into the ADF, then adjust the paper guides.
- 3 Press  , and then enter the shortcut number using the keypad.

## Using the address book

**Note:** The address book feature is enabled if it contains at least one entry.

- 1 Load an original document faceup, short edge first into the ADF or facedown on the scanner glass.

**Note:** Do not load postcards, photos, small items, transparencies, photo paper, or thin media (such as magazine clippings) into the ADF. Place these items on the scanner glass.

- 2 If you are loading a document into the ADF, then adjust the paper guides.
- 3 On the home screen, touch **Fax**.
- 4 Touch **Search Address Book**.
- 5 Using the virtual keyboard, type the name or part of the name of the person whose fax number you want to find.

**Note:** Do not attempt to search for multiple names at the same time.

- 6 Touch **Search**.
- 7 Touch the name to add it to the “Fax to” list.
- 8 Repeat steps 4 through 7 to enter additional addresses.
- 9 Touch **Fax It**.

## Customizing fax settings

### Changing the fax resolution

Adjusting the resolution setting changes the quality of the fax. Settings range from Standard (fastest speed) to Ultra Fine (slowest speed, best quality).

- 1 Load an original document faceup, short edge first into the ADF or facedown on the scanner glass.  
**Note:** Do not load postcards, photos, small items, transparencies, photo paper, or thin media (such as magazine clippings) into the ADF. Place these items on the scanner glass.
- 2 If you are loading a document into the ADF, then adjust the paper guides.
- 3 On the home screen, touch **Fax**.
- 4 Use the keypad to enter the fax number.
- 5 Touch **Options**.
- 6 From the Resolution area, touch the arrows to change to the resolution you want.
- 7 Touch **Fax It**.

### Making a fax lighter or darker

- 1 Load an original document faceup, short edge first into the ADF or facedown on the scanner glass.  
**Note:** Do not load postcards, photos, small items, transparencies, photo paper, or thin media (such as magazine clippings) into the ADF. Place these items on the scanner glass.
- 2 If you are loading a document into the ADF, then adjust the paper guides.
- 3 On the home screen, touch **Fax**.
- 4 Use the keypad to enter the fax number.
- 5 Touch **Options**.
- 6 From the Darkness area, touch the arrows to adjust the darkness of the fax.
- 7 Touch **Fax It**.

### Sending a fax at a scheduled time

- 1 Load an original document faceup, short edge first into the ADF or facedown on the scanner glass.  
**Note:** Do not load postcards, photos, small items, transparencies, photo paper, or thin media (such as magazine clippings) into the ADF. Place these items on the scanner glass.
- 2 If you are loading a document into the ADF, then adjust the paper guides.
- 3 On the home screen, touch **Fax**.
- 4 Enter the fax number using the numbers on the touch screen or keypad.
- 5 Touch **Options**.
- 6 Touch **Advanced Options**.

**7** Touch **Delayed Send**.

**Note:** If Fax Mode is set to Fax Server, the Delayed Send button will not appear. Faxes waiting for transmission are listed in the Fax Queue.

**8** Touch the arrows to adjust the time the fax will be transmitted.

The time is increased or decreased in increments of 30 minutes. If the current time is shown, the left arrow is unavailable.

**9** Touch **Done**.**10** Touch **Fax it**.

**Note:** The document is scanned and then faxed at the scheduled time.

## Viewing a fax log

**1** Type the printer IP address into the address field of your Web browser.

**Note:** If you do not know the IP address of the printer, then print a network setup page and locate the IP address in the TCP/IP section.

**2** Click **Reports**.**3** Click **Fax Job Log** or **Fax Call Log**.

## Blocking junk faxes

**1** Type the printer IP address into the address field of your Web browser.

**Note:** If you do not know the IP address of the printer, then print a network setup page and locate the IP address in the TCP/IP section.

**2** Click **Settings**.**3** Click **Fax Settings**.**4** Click **Analog Fax Setup**.**5** Click the **Block No Name Fax** option.

This option blocks all incoming faxes that have a private caller ID or no fax station name.

**6** In the Banned Fax List field, enter the phone numbers or fax station names of specific fax callers you want to block.

## Canceling an outgoing fax

### Canceling a fax while the original documents are still scanning

- When using the ADF, touch **Cancel Job** while **Scanning...** appears.
- When using the scanner glass, touch **Cancel Job** while **Scanning...** appears or while **Scan the Next Page / Finish the Job** appears.

## Canceling a fax after the original documents have been scanned to memory

- 1** On the home screen, touch **Cancel Jobs**.  
The Cancel Jobs screen appears.
- 2** Touch the job or jobs you want to cancel.  
Only three jobs appear on the screen; touch the down arrow until the job you want appears, and then touch the job you want to cancel.
- 3** Touch **Delete Selected Jobs**.  
The Deleting Selected Jobs screen appears, the selected jobs are deleted, and then the home screen appears.

## Understanding fax options

### Original Size

This option opens a screen where you can choose the size of the documents you are going to fax.

- Touch a paper size button to select that size as the Original Size setting. The fax screen appears with your new setting displayed.
- When Original Size is set to Mixed Letter/Legal, you can scan an original document that contains mixed paper sizes.
- When “Original Size” is set to Auto Size Sense, the scanner automatically determines the size of the original document.

### Content

This option tells the printer the original document type. Choose from Text, Text/Photo, or Photograph. Color can be turned on or off with any of the Content choices. Content affects the quality and size of your scan.

- **Text**—Emphasizes sharp, black, high-resolution text against a clean, white background
- **Text/Photo**—Used when the original documents are a mixture of text and graphics or pictures
- **Photograph**—Tells the scanner to pay extra attention to graphics and pictures. This setting increases the time it takes to scan, but emphasizes a reproduction of the full dynamic range of tones in the original document. This increases the amount of information saved.
- **Color**—Sets the scan type and output for the fax. Color documents can be scanned and sent to a fax destination.

**Note:** Color is not available when Fax is in Fax Server Mode.

### Sides (Duplex)

This option informs the printer if the original document is simplex (printed on one side) or duplex (printed on both sides). This lets the scanner know what needs to be scanned for inclusion in the fax.

## Resolution

This options increases how closely the scanner examines the document you want to fax. If you are faxing a photo, a drawing with fine lines, or a document with very small text, increase the Resolution setting. This will increase the amount of time required for the scan and will increase the quality of the fax output.

- **Standard**—Suitable for most documents
- **Fine**—Recommended for documents with small print
- **Super fine**—Recommended for original documents with fine detail
- **Ultra fine**—Recommended for documents with pictures or photos

## Darkness

This option adjusts how light or dark your faxes will turn out in relation to the original document.

## Advanced Options

Touching this button opens a screen where you can change Delayed Send, Advanced Imaging, Custom Job, Transmission Log, Scan Preview, Edge Erase, and Advanced Duplex settings.

- **Delayed Send**—Lets you send a fax at a later time or date. After setting up your fax, touch **Delayed Send**, enter the time and date you would like to send your fax, and then touch **Done**. This setting can be especially useful in sending information to fax lines that are not readily available during certain hours, or when transmission times are cheaper.

**Note:** If the printer is turned off when the delayed fax is scheduled to be sent, the fax is sent the next time the printer is turned on.

- **Advanced Imaging**—Adjusts Background Removal, Color Dropout, Contrast, Mirror Image, Negative Image, Shadow Details, Scan Edge to Edge and Sharpness before you fax the document
- **Custom Job**—Combines multiple scanning jobs into a single job
- **Transmission Log**—Prints the transmission log or transmission error log
- **Scan Preview**—Displays the image before it is included in the fax. When the first page is scanned, the scanning is paused, and a preview image appears.
- **Edge Erase**—Eliminates smudges or information around the edges of a document. You can choose to eliminate an equal area around all four sides of the paper, or pick a particular edge. Edge Erase will erase whatever is within the area selected, leaving nothing on that portion of the scan.

## Improving fax quality

Question	Tip
When should I use Text mode?	<ul style="list-style-type: none"> <li>• Use Text mode when text preservation is the main goal of the fax, and preserving images copied from the original document is not a concern.</li> <li>• Text mode is recommended for faxing receipts, carbon copy forms, and documents that contain only text or fine line art.</li> </ul>
When should I use Text/Photo mode?	<ul style="list-style-type: none"> <li>• Use Text/Photo mode when faxing an original document that contains a mixture of text and graphics.</li> <li>• Text/Photo mode is recommended for magazine articles, business graphics, and brochures.</li> </ul>

Question	Tip
When should I use Photo mode?	Use Photo mode when faxing photos printed on a laser printer or taken from a magazine or newspaper.

## Holding and forwarding faxes

### Holding faxes

This option lets you hold received faxes from printing until they are released. Held faxes can be released manually or at a scheduled day or time.

- 1 Type the printer IP address into the address field of your Web browser.

**Note:** If you do not know the IP address of the printer, then print a network setup page and locate the IP address in the TCP/IP section.

- 2 Click **Settings**.

- 3 Click **Fax Settings**.

- 4 Click **Analog Fax Setup**.

- 5 Click **Holding Faxes**.

- 6 Enter a password in the Print Faxes Password box.

**Note:** This may not be applicable in some cases.

- 7 From the Held Fax Mode menu, select one of the following:

- **Off**
- **Always On**
- **Manual**
- **Scheduled**

- 8 If you selected Scheduled, then continue with the following steps. Otherwise, click **Submit**.

- a Click **Fax Holding Schedule**.

- b From the Action menu, select **Hold faxes**.

- c From the Time menu, select the time you want the held faxes released.

- d From the Day(s) menu, select the day you want the held faxes released.

- e Click **Add**.

### Forwarding a fax

This option lets you print and forward received faxes to a fax number, e-mail address, FTP site, or LDSS.

- 1 Type the printer IP address into the address field of your Web browser.

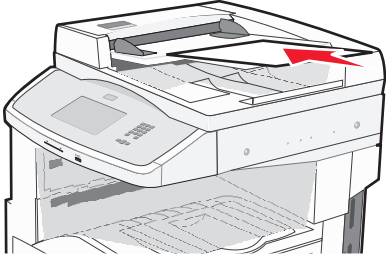
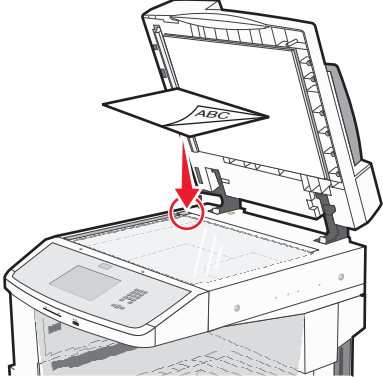
**Note:** If you do not know the IP address of the printer, then print a network setup page and locate the IP address in the TCP/IP section.

- 2 Click **Settings**.

- 3 Click **Fax Settings**.
- 4 Click **Analog Fax Setup**.
- 5 From the Fax Forwarding menu under Fax Receive settings, select one of the following:
  - **Print**
  - **Print and Forward**
  - **Forward**
- 6 From the “Forward to” menu, select one of the following:
  - **Fax**
  - **E-mail**
  - **FTP**
  - **LDSS**
  - **eSF**
- 7 Click inside the Forward to Shortcut box, and then enter the shortcut number where you want the fax forwarded.

**Note:** The shortcut number must be a valid shortcut number for the setting that was selected in the “Forward to” menu.
- 8 Click **Submit**.

## Scanning to an FTP address

ADF	Scanner glass
 <p data-bbox="151 701 613 730">Use the ADF for multiple-page documents.</p>	 <p data-bbox="630 827 1409 919">Use the scanner glass for single pages, small items (such as postcards or photos), transparencies, photo paper, or thin media (such as magazine clippings).</p>

The scanner lets you scan documents directly to a File Transfer Protocol (FTP) server. Only one FTP address may be sent to the server at a time.

Once an FTP destination has been configured by your system support person, the name of the destination becomes available as a shortcut number, or it is listed as a profile under the Held Jobs icon. An FTP destination could also be another PostScript printer; for example, a color document can be scanned, and then sent to a color printer.

## Scanning to an FTP address

### Scanning to an FTP address using the keypad

- 1 Load an original document faceup, short edge first into the ADF or facedown on the scanner glass.  
**Note:** Do not load postcards, photos, small items, transparencies, photo paper, or thin media (such as magazine clippings) into the ADF. Place these items on the scanner glass.
- 2 If you are loading a document into the ADF, then adjust the paper guides.
- 3 On the home screen, touch **FTP**.
- 4 Type the FTP address.
- 5 Touch **Send It**.



## Scanning to an FTP address using a shortcut number

- 1 Load an original document faceup, short edge first into the ADF or facedown on the scanner glass.  
**Note:** Do not load postcards, photos, small items, transparencies, photo paper, or thin media (such as magazine clippings) into the ADF. Place these items on the scanner glass.
- 2 If you are loading a document into the ADF, then adjust the paper guides.
- 3 Press #, and then enter the FTP shortcut number.
- 4 Touch **Send It**.

## Scanning to an FTP address using the address book

- 1 Load an original document faceup, short edge first into the ADF or facedown on the scanner glass.  
**Note:** Do not load postcards, photos, small items, transparencies, photo paper, or thin media (such as magazine clippings) into the ADF. Place these items on the scanner glass.
- 2 If you are loading a document into the ADF, adjust the paper guides.
- 3 On the home screen, touch **FTP**.
- 4 Touch **Search Address Book**.
- 5 Type the name or part of the name you are searching for, and then touch **Search**.
- 6 Touch the name that you want to add to the To: field.
- 7 Touch **Send It**.

## Creating shortcuts

Instead of entering the entire FTP site address on the control panel each time you want to send a document to an FTP server, you can create a permanent FTP destination and assign a shortcut number. There are two methods for creating shortcut numbers: using a computer and using the printer touch screen.

### Creating an FTP shortcut using the Embedded Web Server

- 1 Type the printer IP address into the address field of your Web browser.  
**Note:** If you do not know the IP address of the printer, then print a network setup page and locate the IP address in the TCP/IP section.
- 2 Click **Settings**.
- 3 Under Other Settings, click **Manage Shortcuts**.  
**Note:** A password may be required. If you do not have an ID and password, get one from your system support person.
- 4 Click **FTP Shortcut Setup**.
- 5 Enter the appropriate information into the boxes.

6 Enter a shortcut number.

7 Click **Add**.

## Creating an FTP shortcut using the touch screen

1 On the home screen, touch **FTP**.

2 Type the address of the FTP site.


3 Touch **Save as Shortcut**.

4 Enter a name for the shortcut.

5 Touch **Enter**.

6 Verify that the shortcut name and number are correct, and then touch **OK**. If the name or number is incorrect, then touch **Cancel**, and reenter the information.

If you enter a number that is already in use, then you are prompted to select another number.

7 Touch **Send It** to start the scan, or touch  to return to the home screen.

## Understanding FTP options

### Original Size

This option opens a screen where you can choose the size of the documents you are going to copy.

- Touch a paper size button to select that size as the Original Size setting. The FTP screen appears with your new setting displayed.
- When “Original Size” is set to Mixed Letter/Legal, you can scan an original document that contains mixed paper sizes.
- When “Original Size” is set to Auto Size Sense, the scanner automatically determines the size of the original document.

### Sides (Duplex)

This option informs the printer if the original document is simplex (printed on one side) or duplex (printed on both sides). This lets the scanner know what needs to be scanned for inclusion in the document.

### Orientation

This option tells the printer whether the original document is in portrait or landscape orientation and then changes the Sides and Binding settings to match the original document orientation.

### Binding

Tells the printer whether the original document is bound on the long-edge or short-edge side.

## Resolution

This option adjusts the output quality of your file. Increasing the image resolution increases the file size and the time needed to scan your original document. Image resolution can be decreased to reduce the file size.

## Send As

This option sets the output (PDF, TIFF, JPEG or XPS) for the scanned image.

- **PDF**—Creates a single file with multiple pages, viewable with Adobe Reader. Adobe Reader is provided free by Adobe at [www.adobe.com](http://www.adobe.com).
- **Secure PDF**—Creates an encrypted PDF file that protects the file contents from unauthorized access
- **TIFF**—Creates multiple files or a single file. If Multi-page TIFF is turned off in the Settings menu of the Embedded Web Server, then TIFF saves one page in each file. The file size is usually larger than an equivalent JPEG.
- **JPEG**—Creates and attaches a separate file for each page of your original document, viewable by most Web browsers and graphics programs
- **XPS**—Creates a single XPS file with multiple pages, viewable using an Internet Explorer-hosted viewer and the .NET Framework, or by downloading a third party standalone viewer

## Content

This option tells the printer the original document type. Choose from Text, Text/Photo, or Photo. Color can be turned on or off with any of the Content choices. Content affects the quality and size of your FTP file.

- **Text**—Emphasize sharp, black, high-resolution text against a clean, white background
- **Text/Photo**—Used when the original documents are a mixture of text and graphics or pictures
- **Photograph**—Tells the scanner to pay extra attention to graphics and pictures. This setting increases the time it takes to scan, but emphasizes a reproduction of the full dynamic range of tones in the original document. This increases the amount of information saved.
- **Color**—Sets the scan type and output for the FTP file. Color documents can be scanned and sent to an FTP site, computer, e-mail address, or the printer.

## Advanced Options

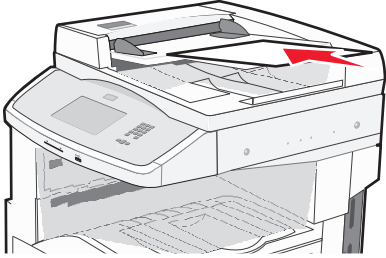
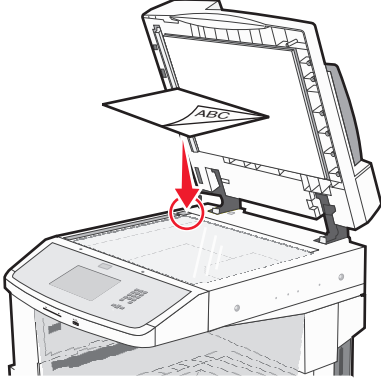
Touching this button opens a screen where you can change the following settings:

- **Advanced Imaging**—Adjusts Background Removal, Contrast, Shadow Detail, and Mirror Image before you scan the document
- **Custom Job (Job Build)**—Combines multiple scanning jobs into a single job
- **Transmission Log**—Prints the transmission log or transmission error log
- **Scan Preview**—Displays the first page of an image before it is included in the FTP file. When the first page is scanned, the scanning is paused and a preview image appears.
- **Edge Erase**—Eliminates smudges or information around the edges of a document. You can choose to eliminate an equal area around all four sides of the paper, or pick a particular edge. Edge Erase will erase whatever is within the area selected, leaving nothing on that portion of the scan.
- **Darkness**—Adjusts how light or dark your scanned documents will turn out

## Improving FTP quality

Question	Tip
When should I use Text mode?	<ul style="list-style-type: none"><li>• Use Text mode when text preservation is the main goal of sending a document to an FTP site, and preserving images copied from the original document is not a concern.</li><li>• Text mode is recommended for receipts, carbon copy forms, and documents that only contain text or fine line art.</li></ul>
When should I use Text/Photo mode?	<ul style="list-style-type: none"><li>• Use Text/Photo mode when sending a document to an FTP site that contains a mixture of text and graphics.</li><li>• Text/Photo mode is recommended for magazine articles, business graphics, and brochures.</li></ul>
When should I use Photo mode?	Use Photo mode when the original document is composed mostly of photos printed on a laser printer or taken from a magazine or newspaper.

## Scanning to a computer or flash drive

ADF	Scanner glass
 <p>Use the ADF for multiple-page documents.</p>	 <p>Use the scanner glass for single pages, small items (such as postcards or photos), transparencies, photo paper, or thin media (such as magazine clippings).</p>

The scanner lets you scan documents directly to a computer or a flash drive. The computer does not have to be directly connected to the printer for you to receive Scan to PC images. You can scan the document back to the computer over the network by creating a scan profile on the computer, and then downloading the profile to the printer.

## Scanning to a computer

- 1 Type the printer IP address into the address field of your Web browser.

**Note:** If you do not know the IP address of the printer, then print a network setup page and locate the IP address in the TCP/IP section.

- 2 Click **Scan Profile**.

- 3 Click **Create Scan Profile**.

**Note:** Your computer must have java program installed to be able to create a scan profile.

- 4 Select your scan settings, and then click **Next**.

- 5 Select a location on your computer where you want to save the scanned output file.

- 6 Enter a scan name.

The scan name is the name that appears in the Scan Profile list on the display.

- 7 Click **Submit**.

- 8 Review the instructions on the Scan Profile screen.

A shortcut number was automatically assigned when you clicked Submit. You can use this shortcut number when you are ready to scan your documents.

- 9 Load an original document faceup, short edge first into the ADF or facedown on the scanner glass.

**Note:** Do not load postcards, photos, small items, transparencies, photo paper, or thin media (such as magazine clippings) into the ADF. Place these items on the scanner glass.

- 10 If you are loading a document into the ADF, then adjust the paper guides.
- 11 Press **#**, and then enter the shortcut number using the keypad, or touch **Held Jobs** on the home screen, and then touch **Profiles**.
- 12 After you enter the shortcut number, the scanner scans and sends the document to the directory or program you specified. If you touched **Profiles** on the home screen, then locate your shortcut on the list.
- 13 Touch **Finish the Job**.
- 14 Return to the computer to view the file.  
The output file is saved in the location you specified or launched in the program you specified.

## Scanning to a flash drive

- 1 Load an original document faceup, short edge first into the ADF or facedown on the scanner glass.  
**Note:** Do not load postcards, photos, small items, transparencies, photo paper, or thin media (such as magazine clippings) into the ADF. Place these items on the scanner glass.
- 2 If you are loading a document into the ADF, then adjust the paper guides.
- 3 Insert the flash drive into the USB port on the front of the printer.
- 4 Touch **Scan to USB drive**.
- 5 Select the size and file that you want to scan.
- 6 Touch **Scan It**.

## Understanding scan profile options

### Quick Setup

This option lets you select preset formats or customize the scan job settings. You can select one of these settings:

Custom	Photo - Color JPEG
Text - BW PDF	Photo - Color TIFF
Text - BW TIFF	Text/Photo - BW PDF Text/Photo - Color PDF

To customize the scan job settings, from the Quick Setup menu, select **Custom**. Then change the scan settings as needed.

### Format Type

This option sets the output (PDF, JPEG, TIFF, SECURE PDF, or XPS) for the scanned image.

- **PDF**—Creates a single file with multiple pages, viewable with Adobe Reader. Adobe Reader is provided free by Adobe at [www.adobe.com](http://www.adobe.com).
- **JPEG**—Creates and attaches a separate file for each page of your original document, viewable by most Web browsers and graphics programs

- **TIFF**—Creates multiple files or a single file. If Multi-page TIFF is turned off in the Settings menu of the Embedded Web Server, then TIFF saves one page in each file. The file size is usually larger than an equivalent JPEG.
- **Secure PDF**—Creates an encrypted PDF file that protects the file contents from unauthorized access
- **XPS**—Creates a single XPS file with multiple pages, viewable using an Internet Explorer-hosted viewer and the .NET Framework, or by downloading a third party standalone viewer

## Compression

This option sets the format (Zlib, JPEG or None) used to compress the scanned output file.

## Default Content

This option tells the printer the original document type. Choose from Text, Text/Photo, or Photo. Content affects the quality and size of your scanned file.

**Text**—Emphasizes sharp, black, high-resolution text against a clean, white background

**Text/Photo**—Used when the original documents are a mixture of text and graphics or pictures

**Photo**—Tells the scanner to pay extra attention to graphics and pictures. This setting increases the time it takes to scan, but emphasizes a reproduction of the full dynamic range of tones in the original document. This increases the amount of information saved.

## Color

This option tells the printer the color of the original documents. You can select Gray, BW (Black and White), or Color.

## Original Size

This option sets the size of the documents you are going to scan. When Original Size is set to Mixed Sizes, you can scan an original document that contains mixed paper sizes (letter- and legal-size pages).

## Orientation

This option tells the printer whether the original document is in portrait or landscape orientation and then changes the Sides and Binding settings to match the original document orientation.

## Sides (Duplex)

This option informs the printer if your original document is simplex (printed on one side) or duplex (printed on both sides). This lets the scanner know what needs to be scanned for inclusion in the document.

## Darkness

This option adjusts how light or dark your scanned documents will turn out in relation to the original document.

## Resolution

This option adjusts the output quality of your file. Increasing the image resolution increases the file size and the time needed to scan your original document. Image resolution can be decreased to reduce the file size.

## Advanced Imaging

- **Background Removal**—Adjusts the white portion of the output. Click the arrow buttons to increase or decrease the white portion.
- **Contrast**—Click the arrow buttons to increase or decrease the contrast.
- **Shadow Detail**—Click the arrow buttons to increase or decrease the visible detail in the shadows.
- **Sharpness**—Click the arrow buttons to increase or decrease the sharpness.
- **Color Dropout**—Color dropout is used for form Optical Character Recognition (OCR) processing. Selecting a color eliminates the color from a form, enabling improved OCR capabilities.
- **Scan edge to edge**—Select this box to scan edge to edge.
- **Mirror Image**—Select this box to create a mirror image scan.
- **Negative Image**—Select this box to create a negative image scan.
- **Jpeg Quality**—Select this box to choose JPEG quality.


## Improving scan quality

Question	Tip
When should I use Text mode?	<ul style="list-style-type: none"> <li>• Use Text mode when text preservation is the main goal of the scan, and preserving images copied from the original document is not a concern.</li> <li>• Text mode is recommended for receipts, carbon copy forms, and documents that only contain text or fine line art.</li> </ul>
When should I use Text/Photo mode?	<ul style="list-style-type: none"> <li>• Use Text/Photo mode when scanning an original document that contains a mixture of text and graphics.</li> <li>• Text/Photo mode is recommended for magazine articles, business graphics, and brochures.</li> </ul>
When should I use Photo mode?	Use Photo mode when scanning photos printed on a laser printer or taken from a magazine or newspaper.



# Understanding printer menus

## Menus list

To access the menus, touch  on the home screen.

### Paper Menu

Default Source  
Paper Size/Type  
Configure MP  
Substitute Size  
Paper Texture  
Paper Loading  
Custom Types  
Custom Names  
Custom Scan Sizes  
Custom Bin Names  
Universal Setup  
Bin Setup

### Reports

Menu Settings Page  
Device Statistics  
Network Setup Page  
Network <x> Setup Page  
Wireless Setup Page<sup>1</sup>  
Shortcut List  
Fax Job Log  
Fax Call Log  
Copy Shortcuts  
E-mail Shortcuts  
Fax Shortcuts  
FTP Shortcuts  
Profiles List  
NetWare Setup Page  
Print Fonts  
Print Directory  
Print Demo  
Asset Report

### Network/Ports

Active NIC  
Standard Network<sup>2</sup>  
SMTP Setup  
Standard USB

<sup>1</sup> Only appears if a wireless card is installed.

<sup>2</sup> Depending on the printer setup, this menu item appears as Standard Network or Network <x>.

### Security

Edit Security Setups  
Miscellaneous Security Settings  
Confidential Print  
Disc Wiping  
Security Audit Log  
Set Date and Time

### Settings

General Settings  
Copy Settings  
Fax Settings  
E-mail Settings  
FTP Settings  
Flash Drive Menu  
Print Settings

### Help

Print all guides  
Copy guide  
E-mail guide  
Fax guide  
FTP guide  
Information guide  
Print Defects guide  
Supplies Guide

## Paper menu

### Default Source menu

Menu item	Description
<b>Default Source</b> Tray <x> MP Feeder Manual Paper Manual Env	Sets a default paper source for all print jobs  <b>Notes:</b> <ul style="list-style-type: none"> <li>• Tray 1 (standard tray) is the factory default setting.</li> <li>• Only an installed paper source will appear as a menu setting.</li> <li>• A paper source selected by a print job will override the Default Source setting for the duration of the print job.</li> <li>• If the same size and type of paper are in two trays and the Paper Size and Paper Type settings match, then the trays are automatically linked. When one tray is empty, the job prints using the linked tray.</li> <li>• From the Paper menu, Configure MP must be set to Cassette in order for MP Feeder to appear as a menu setting.</li> </ul>

### Paper Size/Type menu

Menu item	Description
<b>Tray &lt;x&gt; Size</b> A4 A5 JIS B5 Letter Legal Executive Oficio Folio Statement Universal A3 Tabloid JIS B4	Specifies the paper size loaded in each tray  <b>Notes:</b> <ul style="list-style-type: none"> <li>• A4 is the international factory default setting. Letter is the US factory default setting.</li> <li>• For trays with automatic size sensing, only the size detected by the hardware appears.</li> <li>• Executive, Oficio, and Statement appear as options only if Tray Size Sensing is turned off.</li> <li>• Use this menu item to configure automatic tray linking. If the same size and type of paper are in two trays and the Paper Size and Paper Type settings match, then the trays are automatically linked. When one tray is empty, the job prints using the linked tray.</li> <li>• Automatic size sensing is not supported for Oficio, Folio, or Statement paper sizes.</li> <li>• The 2000-sheet tray supports A4, Letter, and Legal paper sizes.</li> </ul>
<b>Note:</b> Only installed trays, drawers, and feeders are listed in this menu.	

Menu item	Description
<p><b>Tray &lt;x&gt; Type</b></p> <ul style="list-style-type: none"> <li>Plain Paper</li> <li>Card Stock</li> <li>Transparency</li> <li>Recycled</li> <li>Labels</li> <li>Bond</li> <li>Letterhead</li> <li>Preprinted</li> <li>Colored Paper</li> <li>Light Paper</li> <li>Heavy Paper</li> <li>Rough/Cotton Paper</li> <li>Custom Type &lt;x&gt;</li> </ul>	<p>Specifies the type of paper loaded in each tray</p> <p><b>Notes:</b></p> <ul style="list-style-type: none"> <li>• Plain Paper is the factory default setting for Tray 1. Custom Type &lt;x&gt; is the factory default setting for all other trays.</li> <li>• If available, a user-defined name appears instead of Custom Type &lt;x&gt;.</li> <li>• Use this menu item to configure automatic tray linking. If the same size and type of paper are in two trays and the Paper Size and Paper Type settings match, then the trays are automatically linked. When one tray is empty, the job prints using the linked tray.</li> </ul>
<p><b>MP Feeder Size</b></p> <ul style="list-style-type: none"> <li>A4</li> <li>A3</li> <li>Tabloid</li> <li>JIS B4</li> <li>A5</li> <li>A6</li> <li>JIS B5</li> <li>Letter</li> <li>Legal</li> <li>Executive</li> <li>Oficio</li> <li>Folio</li> <li>Statement</li> <li>Universal</li> <li>7 3/4 Envelope</li> <li>10 Envelope</li> <li>DL Envelope</li> <li>Other Envelope</li> </ul>	<p>Specifies the paper size loaded in the multipurpose feeder</p> <p><b>Notes:</b></p> <ul style="list-style-type: none"> <li>• From the Paper menu, Configure MP must be set to Cassette in order for MP Feeder Size to appear as a menu item.</li> <li>• A4 is the international factory default setting. Letter is the US factory default setting.</li> <li>• The multipurpose feeder does not automatically sense paper size. The paper size value must be set.</li> <li>• JIS B5 is supported only if feeding orientation is long edge.</li> </ul>
<p><b>Note:</b> Only installed trays, drawers, and feeders are listed in this menu.</p>	

Menu item	Description
<p><b>MP Feeder Type</b></p> <ul style="list-style-type: none"> <li>Plain Paper</li> <li>Card Stock</li> <li>Transparency</li> <li>Recycled</li> <li>Labels</li> <li>Bond</li> <li>Envelope</li> <li>Rough Envelope</li> <li>Letterhead</li> <li>Preprinted</li> <li>Colored Paper</li> <li>Light Paper</li> <li>Heavy Paper</li> <li>Rough/Cotton Paper</li> <li>Custom Type &lt;x&gt;</li> </ul>	<p>Specifies the type of paper loaded in the multipurpose feeder</p> <p><b>Notes:</b></p> <ul style="list-style-type: none"> <li>• From the Paper menu, Configure MP must be set to Cassette in order for MP Feeder Type to appear as a menu item.</li> <li>• Plain Paper is the factory default setting.</li> </ul>
<p><b>Manual Paper Size</b></p> <ul style="list-style-type: none"> <li>A4</li> <li>A3</li> <li>Tabloid</li> <li>JIS B4</li> <li>A5</li> <li>A6</li> <li>JIS B5</li> <li>Letter</li> <li>Legal</li> <li>Executive</li> <li>Oficio</li> <li>Folio</li> <li>Statement</li> <li>Universal</li> </ul>	<p>Specifies the size of the paper being manually loaded</p> <p><b>Note:</b> A4 is the international factory default setting. Letter is the US factory default setting.</p>
<p><b>Note:</b> Only installed trays, drawers, and feeders are listed in this menu.</p>	

Menu item	Description
<b>Manual Paper Type</b> Plain Paper Card Stock Transparency Recycled Labels Bond Letterhead Preprinted Colored Paper Light Paper Heavy Paper Rough/Cotton Paper Custom Type <x>	Specifies the type of paper being manually loaded <b>Note:</b> Plain Paper is the factory default setting.
<b>Manual Envelope Size</b> 7 3/4 Envelope 10 Envelope DL Envelope Other Envelope	Specifies the size of the envelope being manually loaded <b>Note:</b> DL Envelope is the international factory default setting. 10 Envelope is the US factory default setting.
<b>Manual Envelope Type</b> Envelope Rough Envelope Custom Type <x>	Specifies the type of envelope being manually loaded <b>Note:</b> Envelope is the factory default setting.
<b>Note:</b> Only installed trays, drawers, and feeders are listed in this menu.	

## Configure MP menu

Menu item	Description
<b>Configure MP</b> Cassette Manual First	Determines when the printer selects paper from the multipurpose feeder <b>Notes:</b> <ul style="list-style-type: none"> <li>• Cassette is the factory default setting.</li> <li>• The Cassette setting configures the multipurpose feeder as an automatic paper source.</li> <li>• When Manual is selected, the multipurpose feeder can be used only for manual feed print jobs.</li> <li>• If paper is loaded in the multipurpose feeder and First is selected, then paper always feeds from the multipurpose feeder first.</li> </ul>

## Substitute Size menu

Menu item	Description
<b>Substitute Size</b> All Listed Off Statement/A5 Letter/A4 11 x 17/A3	Substitutes a specified paper size if the requested paper size is not available  <b>Notes:</b> <ul style="list-style-type: none"> <li>• All Listed is the factory default setting. All available substitutions are allowed.</li> <li>• The Off setting indicates no size substitutions are allowed.</li> <li>• Setting a substitution lets the job print without a Change Paper message appearing.</li> </ul>

## Paper Texture menu

Menu item	Description
<b>Plain Texture</b> Smooth Normal Rough	Specifies the relative texture of the paper loaded in a specific tray  <b>Note:</b> Normal is the factory default setting.
<b>Card Stock Texture</b> Smooth Normal Rough	Specifies the relative texture of the card stock loaded in a specific tray  <b>Notes:</b> <ul style="list-style-type: none"> <li>• Normal is the factory default setting.</li> <li>• Settings appear only if card stock is supported.</li> </ul>
<b>Transparency Texture</b> Smooth Normal Rough	Specifies the relative texture of the transparencies loaded in a specific tray  <b>Note:</b> Normal is the factory default setting.
<b>Recycled Texture</b> Smooth Normal Rough	Specifies the relative texture of the recycled paper loaded in a specific tray  <b>Note:</b> Normal is the factory default setting.
<b>Labels Texture</b> Smooth Normal Rough	Specifies the relative texture of the labels loaded in a specific tray  <b>Note:</b> Normal is the factory default setting.
<b>Bond Texture</b> Smooth Normal Rough	Specifies the relative texture of the paper loaded in a specific tray  <b>Note:</b> Rough is the factory default setting.
<b>Envelope Texture</b> Smooth Normal Rough	Specifies the relative texture of the envelopes loaded in a specific tray  <b>Note:</b> Normal is the factory default setting.

Menu item	Description
<b>Rough Envelope Texture</b> Smooth Normal Rough	Specifies the relative texture of the rough envelopes loaded in a specific tray <b>Note:</b> Rough is the factory default setting.
<b>Letterhead Texture</b> Smooth Normal Rough	Specifies the relative texture of the paper loaded in a specific tray <b>Note:</b> Normal is the factory default setting.
<b>Preprinted Texture</b> Smooth Normal Rough	Specifies the relative texture of the paper loaded in a specific tray <b>Note:</b> Normal is the factory default setting.
<b>Colored Texture</b> Smooth Normal Rough	Specifies the relative texture of the paper loaded in a specific tray <b>Note:</b> Normal is the factory default setting.
<b>Light Texture</b> Smooth Normal Rough	Specifies the relative texture of the paper loaded in a specific tray <b>Note:</b> Normal is the factory default setting.
<b>Heavy Texture</b> Smooth Normal Rough	Specifies the relative texture of the paper loaded in a specific tray <b>Note:</b> Normal is the factory default setting.
<b>Rough Texture</b> Smooth Normal Rough	Specifies the relative texture of the paper loaded in a specific tray <b>Note:</b> Rough is the factory default setting.
<b>Custom &lt;x&gt; Texture</b> Smooth Normal Rough	Specifies the relative texture of the custom paper loaded in a specific tray <b>Note:</b> Normal is the factory default setting.

## Paper Loading menu

Menu item	Description
<b>Card Stock Loading</b> Duplex Off	Determines whether 2-sided printing occurs for all jobs that specify Card Stock as the paper type <b>Note:</b> Off is the factory default setting.
<b>Recycled Loading</b> Duplex Off	Determines whether 2-sided printing occurs for all jobs that specify Recycled as the paper type <b>Note:</b> Off is the factory default setting.
<b>Labels Loading</b> Duplex Off	Determines whether 2-sided printing occurs for all jobs that specify Labels as the paper type <b>Note:</b> Off is the factory default setting.
<b>Bond Loading</b> Duplex Off	Determines whether 2-sided printing occurs for all jobs that specify Bond as the paper type <b>Note:</b> Off is the factory default setting.
<b>Letterhead Loading</b> Duplex Off	Determines whether 2-sided printing occurs for all jobs that specify Letterhead as the paper type <b>Note:</b> Off is the factory default setting.
<b>Preprinted Loading</b> Duplex Off	Determines whether 2-sided printing occurs for all jobs that specify Preprinted as the paper type <b>Note:</b> Off is the factory default setting.
<b>Colored Loading</b> Duplex Off	Determines whether 2-sided printing occurs for all jobs that specify Colored as the paper type <b>Note:</b> Off is the factory default setting.
<b>Light Loading</b> Duplex Off	Determines whether 2-sided printing occurs for all jobs that specify Light as the paper type <b>Note:</b> Off is the factory default setting.
<b>Heavy Loading</b> Duplex Off	Determines whether 2-sided printing occurs for all jobs that specify Heavy as the paper type <b>Note:</b> Off is the factory default setting.
<b>Rough Loading</b> Duplex Off	Determines whether 2-sided printing occurs for all jobs that specify Rough as the paper type <b>Note:</b> Off is the factory default setting.
<b>Notes:</b> <ul style="list-style-type: none"> <li>• Duplex sets the printer default to 2-sided printing for every print job unless 1-sided printing is selected from Print Properties in Windows or the Print dialog in Macintosh.</li> <li>• If Duplex is selected, then all print jobs are sent through the duplex unit, including 1-sided jobs.</li> </ul>	



Menu item	Description
<b>Custom &lt;x&gt; Loading</b> Duplex Off	Determines whether 2-sided printing occurs for all jobs that specify Custom <x> as the paper type  <b>Notes:</b> <ul style="list-style-type: none"> <li>• Off is the factory default setting.</li> <li>• Custom &lt;x&gt; Loading is available only if the custom type is supported.</li> </ul>
<b>Notes:</b> <ul style="list-style-type: none"> <li>• Duplex sets the printer default to 2-sided printing for every print job unless 1-sided printing is selected from Print Properties in Windows or the Print dialog in Macintosh.</li> <li>• If Duplex is selected, then all print jobs are sent through the duplex unit, including 1-sided jobs.</li> </ul>	

## Custom Types menu

Menu item	Description
<b>Custom Type &lt;x&gt;</b> Paper Card Stock Transparency Rough/Cotton Labels Bond Envelope	Associates a paper or specialty media type with a factory default <b>Custom Type &lt;x&gt;</b> name or a user-defined Custom Name created from the Embedded Web Server or MarkVision Professional  <b>Notes:</b> <ul style="list-style-type: none"> <li>• Paper is the factory default setting.</li> <li>• The custom media type must be supported by the selected tray or multipurpose feeder in order to print from that source.</li> </ul>
<b>Recycled</b> Paper Card Stock Transparency Rough/Cotton Labels Bond Envelope	Specifies a paper type when the Recycled setting is selected in other menus  <b>Notes:</b> <ul style="list-style-type: none"> <li>• Paper is the factory default setting.</li> <li>• The custom media type must be supported by the selected tray or multipurpose feeder in order to print from that source.</li> </ul>

## Custom Names menu

Menu item	Definition
<b>Custom Name &lt;x&gt;</b> <none>	Specify a custom name for a paper type. This name replaces a <b>Custom Type &lt;x&gt;</b> name in the printer menus.

## Custom Scan Sizes menu

Menu item	Description
<b>Custom Scan Size &lt;x&gt;</b> Scan Size Name Width 3–14.17 inches (76–360 mm) Height 3–14.17 inches (76–360 mm) Orientation Landscape Portrait 2 scans per side Off On ADF Pick Roller Force User Default 30% 40% 50% 60% 70% 80%	Specifies a custom scan size name and options. This name replaces a <b>Custom Scan Size &lt;x&gt;</b> name in the printer menus.  <b>Notes:</b> <ul style="list-style-type: none"> <li>• 8.5 Inches is the US factory default setting for Width. 216 millimeters is the international factory default setting for Width.</li> <li>• 14 Inches is the US factory default setting for Height. 356 millimeters is the international factory default setting for Height.</li> <li>• Landscape is the factory default setting for Orientation.</li> <li>• Off is the factory default setting for 2 scans per side.</li> <li>• User Default is the factory default setting for ADF Pick Roller Force.</li> </ul>

## Custom Bin Names menu

Menu Item	Description
<b>Standard Bin</b>	Specifies a custom name for the Standard Bin
<b>Bin 1</b>	Specifies a custom name for Bin 1

## Universal Setup menu

These menu items are used to specify the height, width, and feed direction of the Universal Paper Size. The Universal Paper Size is a user-defined paper size setting. It is listed with the other paper size settings and includes similar options, such as support for duplex printing and printing multiple pages on one sheet.

Menu item	Description
<b>Units of Measure</b> Inches Millimeters	Identifies the units of measure  <b>Notes:</b> <ul style="list-style-type: none"> <li>• Inches is the US factory default setting.</li> <li>• Millimeters is the international factory default setting.</li> </ul>

Menu item	Description
<b>Portrait Width</b> 3–17 inches 76–432 mm	Sets the portrait width <b>Notes:</b> <ul style="list-style-type: none"> <li>• If the width exceeds the maximum, the printer uses the maximum width allowed.</li> <li>• 11.69 inches is the US factory default setting. Inches can be increased in 0.01-inch increments.</li> <li>• 297 mm is the international factory default setting. Millimeters can be increased in 1-mm increments.</li> </ul>
<b>Portrait Height</b> 3–17 inches 76–432 mm	Sets the portrait height <b>Notes:</b> <ul style="list-style-type: none"> <li>• If the height exceeds the maximum, the printer uses the maximum height allowed.</li> <li>• 17 inches is the US factory default setting. Inches can be increased in 0.01-inch increments.</li> <li>• 432 mm is the international factory default setting. Millimeters can be increased in 1-mm increments.</li> </ul>
<b>Feed Direction</b> Short Edge Long Edge	Specifies the feed direction if the paper can be loaded in either direction <b>Notes:</b> <ul style="list-style-type: none"> <li>• Short Edge is the factory default setting.</li> <li>• Long Edge appears only if the longest edge is shorter than the maximum width supported in the tray.</li> </ul>

## Bin Setup menu

Menu Item	Description
<b>Output Bin</b> Standard Bin Bin <x>	Specifies the default output bin <b>Note:</b> Standard Bin is the factory default setting.

Menu Item	Description
<b>Configure Bins</b> Mailbox Link Link Optional Type Assignment	Specifies configuration options for output bins  <b>Notes:</b> <ul style="list-style-type: none"> <li>• Mailbox is the factory default setting.</li> <li>• Bins assigned the same name are automatically linked unless Link Optional is selected.</li> <li>• The Mailbox setting treats each bin as a separate mailbox.</li> <li>• The Link setting links together all available output bins.</li> <li>• The Link Optional setting links together all available output bins except the standard bin and appears only when at least two optional bins are installed.</li> <li>• The Type Assignment setting assigns each paper type to an output bin or linked bin set.</li> </ul>
<b>Assign Type/Bin</b> Plain Paper Bin Card Stock Bin Transparency Bin Recycled Bin Labels Bin Bond Bin Envelope Bin Rough Envelope Bin Letterhead Bin Preprinted Bin Colored Bin Light Bin Heavy Bin Rough/Cotton Bin Custom <x> Bin	Selects an output bin for each supported paper type Available selections for each type are: Disabled Standard Bin Bin <x>  <b>Note:</b> Standard Bin is the factory default setting.

## Reports menu

**Note:** When you select a menu item from the Reports menu, the indicated report prints.

Menu item	Description
<b>Menu Settings Page</b>	Prints a report containing information about paper loaded into trays, installed memory, the total page count, alarms, timeouts, the control panel language, the TCP/IP address, the status of supplies, the status of the network connection, and other information
<b>Device Statistics</b>	Prints a report containing printer statistics such as supply information and details about printed pages

Menu item	Description
<b>Network Setup Page</b>	Prints a report containing information about the network printer settings, such as the TCP/IP address information <b>Note:</b> This menu item appears only for network printers or printers connected to print servers.
<b>Network &lt;x&gt; Setup Page</b>	Prints a report containing information about the network printer settings, such as the TCP/IP address information <b>Notes:</b> <ul style="list-style-type: none"> <li>• This menu item is available when more than one network option is installed.</li> <li>• This menu item appears only for network printers or printers connected to print servers.</li> </ul>
<b>Wireless Setup Page</b>	Prints a report containing information about the wireless network printer settings, such as the TCP/IP address information <b>Notes:</b> <ul style="list-style-type: none"> <li>• This menu item is available when a wireless card is installed and Lexmark Document Solutions Suite is enabled.</li> <li>• This menu item appears only for network printers or printers connected to print servers.</li> </ul>
<b>Shortcut List</b>	Prints a report containing information about configured shortcuts
<b>Fax Job Log</b>	Prints a report containing information about the last 200 completed faxes
<b>Fax Call Log</b>	Prints a report containing information about the last 100 attempted, received, and blocked calls
<b>Copy Shortcuts</b>	Prints a report containing information about copy shortcuts
<b>E-mail Shortcuts</b>	Prints a report containing information about e-mail shortcuts
<b>Fax Shortcuts</b>	Prints a report containing information about fax shortcuts
<b>FTP Shortcuts</b>	Prints a report containing information about FTP shortcuts
<b>Profiles List</b>	Prints a list of profiles stored in the printer
<b>NetWare Setup Page</b>	Prints a report containing NetWare-specific information about the network settings <b>Note:</b> This menu item appears only for printers with an internal print server installed.
<b>Print Fonts</b>	Prints a report of all the fonts available for the printer language currently set in the printer
<b>Print Directory</b>	Prints a list of all the resources stored on an optional flash memory card or printer hard disk <b>Notes:</b> <ul style="list-style-type: none"> <li>• Job Buffer Size must be set to 100%.</li> <li>• The optional flash memory or printer hard disk must be installed correctly and working properly.</li> </ul>

Menu item	Description
<b>Asset Report</b>	Prints a report containing asset information including the printer serial number and model name. The report contains text and UPC barcodes that can be scanned into an asset database.

## Network/Ports menu

### Active NIC menu

Menu item	Description
<b>Active NIC</b> Auto <list of available network cards>	<p><b>Notes:</b></p> <ul style="list-style-type: none"> <li>• Auto is the factory default setting.</li> <li>• This menu item appears only if an optional network card is installed.</li> </ul>

### Standard Network or Network <x> menus

**Note:** Only active ports appear in this menu; all inactive ports are omitted.

Menu item	Description
<b>PCL SmartSwitch</b> On Off	<p>Sets the printer to automatically switch to PCL emulation when a print job requires it, regardless of the default printer language</p> <p><b>Notes:</b></p> <ul style="list-style-type: none"> <li>• On is the factory default setting.</li> <li>• When the Off setting is used, the printer does not examine incoming data.</li> <li>• When the Off setting is used, the printer uses PostScript emulation if PS SmartSwitch is set to On. It uses the default printer language specified in the Setup menu if PS SmartSwitch is set to Off.</li> </ul>
<b>PS SmartSwitch</b> On Off	<p>Sets the printer to automatically switch to PS emulation when a print job requires it, regardless of the default printer language</p> <p><b>Notes:</b></p> <ul style="list-style-type: none"> <li>• On is the factory default setting.</li> <li>• When the Off setting is used, the printer does not examine incoming data.</li> <li>• When the Off setting is used, the printer uses PCL emulation if PCL SmartSwitch is set to On. It uses the default printer language specified in the Setup menu if PCL SmartSwitch is set to Off.</li> </ul>
<b>NPA Mode</b> Auto Off	<p>Sets the printer to perform the special processing required for bidirectional communication following the conventions defined by the NPA protocol</p> <p><b>Notes:</b></p> <ul style="list-style-type: none"> <li>• Auto is the factory default setting.</li> <li>• Changing this setting from the printer control panel and then exiting the menus causes the printer to restart. The menu selection is updated.</li> </ul>

Menu item	Description
<b>Network Buffer</b> Auto 3K to <maximum size allowed>	Sets the size of the network input buffer  <b>Notes:</b> <ul style="list-style-type: none"> <li>• Auto is the factory default setting.</li> <li>• The value can be changed in 1-K increments.</li> <li>• The maximum size allowed depends on the amount of memory in the printer, the size of the other link buffers, and whether Resource Save is set to On or Off.</li> <li>• To increase the maximum size range for the Network Buffer, disable or reduce the size of the parallel, serial, and USB buffers.</li> <li>• Changing this setting from the printer control panel and then exiting the menus causes the printer to restart. The menu selection is updated.</li> </ul>
<b>Job Buffering</b> Off On Auto	Temporarily stores jobs on the printer hard disk before printing. This menu appears only if a formatted disk is installed.  <b>Notes:</b> <ul style="list-style-type: none"> <li>• Off is the factory default setting.</li> <li>• The On value buffers jobs on the printer hard disk. This menu selection appears only when a formatted disk is installed and is not defective.</li> <li>• The Auto setting buffers print jobs only if the printer is busy processing data from another input port.</li> <li>• Changing this setting from the printer control panel and then exiting the menus causes the printer to restart. The menu selection is updated.</li> </ul>
<b>Mac Binary PS</b> Auto On Off	Sets the printer to process Macintosh binary PostScript print jobs  <b>Notes:</b> <ul style="list-style-type: none"> <li>• Auto is the factory default setting.</li> <li>• The Off setting filters print jobs using the standard protocol.</li> <li>• The On setting processes raw binary PostScript print jobs.</li> </ul>
<b>Std Network Setup</b> Network Card TCP/IP IPv6 AppleTalk NetWare LexLink  <b>Net &lt;x&gt; Setup</b> Reports or Network Reports Network Card TCP/IP IPv6 Wireless AppleTalk NetWare LexLink	Sets printer settings on jobs sent through a network port  <b>Note:</b> The Wireless menu appears only when the printer is connected to a wireless network.

## Standard USB menu

Menu item	Description
<b>PCL SmartSwitch</b> On Off	Sets the printer to automatically switch to PCL emulation when a print job received through a USB port requires it, regardless of the default printer language  <b>Notes:</b> <ul style="list-style-type: none"> <li>• On is the factory default setting.</li> <li>• When the Off setting is used, the printer does not examine incoming data.</li> <li>• When the Off setting is used, the printer uses PostScript emulation if the PS SmartSwitch setting is On. It uses the default printer language specified in the Setup menu if the PS SmartSwitch setting is Off.</li> </ul>
<b>PS SmartSwitch</b> On Off	Sets the printer to automatically switch to PS emulation when a print job received through a USB port requires it, regardless of the default printer language  <b>Notes:</b> <ul style="list-style-type: none"> <li>• On is the factory default setting.</li> <li>• When the Off setting is used, the printer does not examine incoming data.</li> <li>• When the Off setting is used, the printer uses PCL emulation if the PCL SmartSwitch setting is On. It uses the default printer language specified in the Setup menu if the PCL SmartSwitch setting is Off.</li> </ul>
<b>NPA Mode</b> Auto Off	Sets the printer to perform the special processing required for bidirectional communication following the conventions defined by the NPA protocol  <b>Notes:</b> <ul style="list-style-type: none"> <li>• Auto is the factory default setting.</li> <li>• Changing this setting from the printer control panel and then exiting the menus causes the printer to restart. The menu selection is updated.</li> </ul>
<b>USB Buffer</b> Auto Disabled 3K to <maximum size allowed>	Sets the size of the USB input buffer  <b>Notes:</b> <ul style="list-style-type: none"> <li>• Auto is the factory default setting.</li> <li>• The Disabled setting turns off job buffering. Any jobs already buffered on the disk are printed before normal processing is resumed.</li> <li>• The USB buffer size value can be changed in 1-K increments.</li> <li>• The maximum size allowed depends on the amount of memory in the printer, the size of the other link buffers, and whether the Resource Save setting is On or Off.</li> <li>• To increase the maximum size range for the USB Buffer, disable or reduce the size of the parallel, serial, and network buffers.</li> <li>• Changing this setting from the printer control panel and then exiting the menus causes the printer to restart. The menu selection is updated.</li> </ul>



Menu item	Description
<b>Job Buffering</b> Off On Auto	Temporarily stores jobs on the printer hard disk before printing <b>Notes:</b> <ul style="list-style-type: none"> <li>• Off is the factory default setting.</li> <li>• The On setting buffers jobs on the printer hard disk.</li> <li>• The Auto setting buffers print jobs only if the printer is busy processing data from another input port.</li> <li>• Changing this setting from the printer control panel and then exiting the menus causes the printer to restart. The menu selection is updated.</li> </ul>
<b>Mac Binary PS</b> Auto Off On	Sets the printer to process Macintosh binary PostScript print jobs <b>Notes:</b> <ul style="list-style-type: none"> <li>• Auto is the factory default setting.</li> <li>• The Off setting filters print jobs using the standard protocol.</li> <li>• The On setting processes raw binary PostScript print jobs.</li> </ul>
<b>USB With ENA</b> ENA Address ENA Netmask ENA Gateway	Sets the network address, netmask, or gateway information for an external print server that is attached to the printer using a USB cable. <b>Note:</b> This menu item is available only if the printer is attached to an external print server through the USB port.

## Network Reports menu

This menu is available from the Network/Ports menu:

**Network/Ports > Standard Network or Network <x> > Std Network Setup or Net <x> Setup > Reports or Network Reports**

Menu item	Description
<b>Print Setup Page</b> <b>Print NetWare Setup Page</b>	Prints a report containing information about the current network setup <b>Notes:</b> <ul style="list-style-type: none"> <li>• The Setup Page contains information about the network printer settings, such as the TCP/IP address.</li> <li>• The NetWare Setup Page menu item appears only on models that support NetWare and shows information about NetWare settings.</li> </ul>

## Network Card menu

This menu is available from the Network/Ports menu:

**Network/Ports > Standard Network or Network <x> > Std Network Setup or Net <x> Setup > Network Card**

Menu item	Description
<b>View Card Status</b> Connected Disconnected	Lets you view the connection status of the Network Card

Menu item	Description
<b>View Card Speed</b>	Lets you view the speed of a currently active network card
<b>Network Address</b> UAA LAA	Lets you view the network addresses
<b>Job Timeout</b> 0-225 seconds	<p>Sets the amount of time in seconds that a network print job can take before it is canceled</p> <p><b>Notes:</b></p> <ul style="list-style-type: none"> <li>• 90 seconds is the factory default setting.</li> <li>• A setting value of 0 disables the timeout.</li> <li>• If a value of 1–9 is selected, then the setting is saved as 10.</li> </ul>
<b>Banner Page</b> Off On	<p>Allows the printer to print a banner page</p> <p><b>Note:</b> Off is the factory default setting.</p>

## TCP/IP menu

Use the following menu items to view or set the TCP/IP information.

**Note:** This menu is available only for network models or printers attached to print servers.

This menu is available from the Network/Ports menu:

**Network/Ports > Standard Network or Network <x> > Std Network Setup or Net <x> Setup > TCP/IP**

Menu item	Description
<b>Activate</b> On Off	<p>Activates TCP/IP</p> <p><b>Note:</b> On is the factory default setting.</p>
<b>View Hostname</b>	<p>Lets you view the current TCP/IP hostname</p> <p><b>Note:</b> This can be changed only from the Embedded Web Server.</p>
<b>IP Address</b>	<p>Lets you view or change the current TCP/IP Address</p> <p><b>Note:</b> Manually setting the IP address sets the Enable DHCP and Enable Auto IP settings to Off. It also sets Enable BOOTP and Enable RARP to Off on systems that support BOOTP and RARP.</p>
<b>Netmask</b>	Lets you view or change the current TCP/IP Netmask
<b>Gateway</b>	Lets you view or change the current TCP/IP Gateway
<b>Enable DHCP</b> On Off	<p>Specifies the DHCP address and parameter assignment setting</p> <p><b>Note:</b> On is the factory default setting.</p>
<b>Enable RARP</b> On Off	<p>Specifies the RARP address assignment setting</p> <p><b>Note:</b> On is the factory default setting.</p>

Menu item	Description
<b>Enable BOOTP</b> On Off	Specifies the BOOTP address assignment setting <b>Note:</b> On is the factory default setting.
<b>Enable AutoIP</b> Yes No	Specifies the Zero Configuration Networking setting <b>Note:</b> Yes is the factory default setting.
<b>Enable FTP/TFTP</b> Yes No	Enables the built-in FTP server, which allows you to send files to the printer using the File Transfer Protocol. <b>Note:</b> Yes is the factory default setting.
<b>Enable HTTP Server</b> Yes No	Enables the built-in Web server (Embedded Web Server). When enabled, the printer can be monitored and managed remotely using a web browser. <b>Note:</b> Yes is the factory default setting.
<b>DNS Server Address</b>	Lets you view or change the current DNS Server Address
<b>Enable DDNS/MDNS</b>	Lets you view or change the current DDNS/MDNS Server Address
<b>WINS Server Address</b>	Lets you view or change the current WINS Server Address

## IPv6 menu

Use the following menu items to view or set the Internet Protocol version 6 (IPv6) information.

**Note:** This menu is available only for network models or printers attached to print servers.

This menu is available from the Network/Ports menu:

**Network/Ports > Standard Network or Network <x> > Std Network Setup or Net <x> Setup > IPv6**

Menu item	Description
<b>Enable IPv6</b> On Off	Enables IPv6 in the printer <b>Note:</b> On is the factory default setting.
<b>Auto Configuration</b> On Off	Specifies whether the network adapter accepts the automatic IPv6 address configuration entries provided by a router <b>Note:</b> On is the factory default setting.
<b>View Hostname</b> <b>View Address</b> <b>View Router Address</b>	Lets you view the current setting <b>Note:</b> These settings can be changed only from the Embedded Web Server.
<b>Enable DHCPv6</b> On Off	Enables DHCPv6 in the printer <b>Note:</b> On is the factory default setting.

## Wireless menu

Use the following menu items to view or configure the wireless internal print server settings.

**Note:** This menu is available only for models connected to a wireless network.

This menu is available from the Network/Ports menu:

**Network/Ports > Network <x> > Net <x> Setup > Wireless**

Menu item	Description
<b>Network Mode</b> Infrastructure Ad hoc	Specifies the network mode  <b>Notes:</b> <ul style="list-style-type: none"> <li>Infrastructure mode lets the printer access a network using an access point.</li> <li>Ad hoc is the factory default setting. Ad hoc mode configures the printer for wireless networking directly between it and a computer.</li> </ul>
<b>Compatibility</b> 802.11n 802.11b/g 802.11b/g/n	Specifies the wireless standard for the wireless network
<b>Choose Network</b> <list of available networks>	Lets you select an available network for the printer to use
<b>View Signal Quality</b>	Lets you view the quality of the wireless connection
<b>View Security Mode</b>	Lets you view the encryption method for the wireless connection. "Disabled" indicates that the wireless network is not encrypted.

## AppleTalk menu

This menu is available from the Network/Ports menu:

**Network/Ports > Standard Network or Network <x> > Std Network Setup or Net <x> Setup > AppleTalk**

Menu item	Description
<b>Activate</b> Yes No	Activates AppleTalk support  <b>Note:</b> Yes is the factory default setting.
<b>View Name</b>	Shows the assigned AppleTalk name  <b>Note:</b> The name can be changed only from the Embedded Web Server.
<b>View Address</b>	Shows the assigned AppleTalk address  <b>Note:</b> The address can be changed only from the Embedded Web Server.
<b>Set Zone</b> <list of zones available on the network>	Provides a list of AppleTalk zones available on the network  <b>Note:</b> The default setting is the default zone for the network. If no default zone exists, the zone marked with an * is the default setting.

## NetWare menu

This menu is available from the Network/Ports menu:

**Network/Ports > Standard Network or Network <x> > Std Network Setup or Net <x> Setup > NetWare**

Menu item	Description
<b>Activate</b> Yes No	Activates NetWare support <b>Note:</b> No is the factory default setting.
<b>View Login Name</b>	Lets you view the assigned NetWare login name <b>Note:</b> This can be changed only from the Embedded Web Server.
<b>Print Mode</b>	Lets you view the assigned NetWare print mode <b>Note:</b> This can be changed only from the Embedded Web Server.
<b>Network Number</b>	Lets you view the assigned NetWare network number <b>Note:</b> This can be changed only from the Embedded Web Server.
<b>Select SAP Frames</b> Ethernet 802.2 Ethernet 802.3 Ethernet Type II Ethernet SNAP	Enables the Ethernet frame type setting <b>Note:</b> On is the factory default setting for all menu items.
<b>Packet Burst</b> Yes No	Reduces network traffic by allowing the transfer and acknowledgement of multiple data packets to and from the NetWare server <b>Note:</b> Yes is the factory default setting.
<b>NSQ/GSQ Mode</b> Yes No	Specifies the NSQ/GSQ Mode setting <b>Note:</b> Yes is the factory default setting.

## LexLink menu

This menu is available from the Network/Ports menu:

**Network/Ports > Standard Network or Network <x> > Std Network Setup or Net <x> Setup > LexLink menu**

Menu item	Description
<b>Activate</b> On Off	Activates LexLink support <b>Note:</b> Off is the factory default setting.
<b>View Nickname</b>	Lets you view the assigned LexLink nickname <b>Note:</b> The LexLink nickname can be changed only from the Embedded Web Server.

## SMTP Setup menu

Use the following menu to configure the SMTP server.

Menu item	Description
<b>Primary SMTP Gateway</b> <b>Primary SMTP Gateway Port</b> <b>Secondary SMTP Gateway</b> <b>Secondary SMTP Gateway Port</b>	Specifies SMTP server port information <b>Note:</b> 25 is the default SMTP gateway port.
<b>SMTP Timeout</b> 5–30	Specifies the amount of time in seconds before the server stops trying to send the e-mail <b>Note:</b> 30 seconds is the factory default setting.
<b>Reply Address</b> <b>Use SSL</b> Disabled Negotiate Required	Specifies server information. This is a required item. <b>Notes:</b> <ul style="list-style-type: none"> <li>• The message box has a limitation of 512 characters.</li> <li>• Disabled is the factory default setting for Use SSL.</li> </ul>
<b>SMTP Server Authentication</b> No authentication required Login / Plain CRAM-MD5 Digest-MD5 NTLM Kerberos 5	Specifies the type of user authentication required for scan to e-mail privileges <b>Note:</b> “No authentication required” is the factory default setting.
<b>Device-Initiated E-mail</b> None Use Device SMTP Credentials <b>User-Initiated E-mail</b> None Use Device SMTP Credentials Use Session User ID and Password Use Session E-mail address and Password Prompt User <b>Device Userid</b> <b>Device password</b> <b>Kerberos 5 Realm</b> <b>NTLM Domain</b>	Specifies server information <b>Notes:</b> <ul style="list-style-type: none"> <li>• The message boxes have a limitation of 512 characters.</li> <li>• None is the factory default setting for Device-Initiated E-mail and User-Initiated E-mail.</li> </ul>

## Security menu

### Miscellaneous menu

Menu item	Description
<b>Panel Logins</b> Login failures Failure time frame Lockout time Panel Login Timeout Remote Login Timeout	Limits the number and time frames of failed login attempts from the printer control panel before <i>all</i> users are locked out  <b>Notes:</b> <ul style="list-style-type: none"> <li>• “Login failures” specifies the number of failed login attempts before users are locked out. Settings range from 1–50. 3 attempts is the factory default setting.</li> <li>• “Failure time frame” specifies the time frame during which failed login attempts can be made before users are locked out. Settings range from 1–60 minutes. 5 minutes is the factory default setting.</li> <li>• “Lockout time” specifies how long users are locked out after exceeding the login failures limit. Settings range from 0–60 minutes. 5 minutes is the factory default setting. 0 indicates the printer does not impose a lockout time.</li> <li>• “Panel Login Timeout” specifies how long the printer remains idle on the Home screen before automatically logging the user off. Settings range from 1–900 seconds. 300 seconds is the factory default setting.</li> </ul>
<b>Remote Logins</b> Login failures Failure time frame Lockout time Login timeout	Limits the number and time frames of failed login attempts from a computer before <i>all</i> remote users are locked out  <b>Notes:</b> <ul style="list-style-type: none"> <li>• “Login failures” specifies the number of failed login attempts before users are locked out. Settings range from 1–50. 3 attempts is the factory default setting.</li> <li>• “Failure time frame” specifies the time frame during which failed login attempts can be made before users are locked out. Settings range from 1–60 minutes. 5 minutes is the factory default setting.</li> <li>• “Lockout time” specifies how long a user is locked out after exceeding the login failures limit. Settings range from 0–60 minutes. 5 minutes is the factory default setting. 0 indicates the printer does not impose a lockout time.</li> <li>• “Login timeout” specifies how long the remote interface remains idle before automatically logging the user off. Settings range from 1–900 seconds. 300 seconds is the factory default setting.</li> </ul>

### Confidential Print menu

Menu item	Description
<b>Max Invalid PIN</b> Off 2–10	Limits the number of times an invalid PIN can be entered  <b>Notes:</b> <ul style="list-style-type: none"> <li>• Off is the default setting.</li> <li>• This menu item appears only if a printer hard disk is installed.</li> <li>• Once a limit is reached, the jobs for that user name and that PIN are deleted.</li> </ul>

Menu item	Description
<b>Job Expiration</b> Off 1 hour 4 hours 24 hours 1 week	Limits the amount of time a confidential job stays in the printer before it is deleted  <b>Notes:</b> <ul style="list-style-type: none"> <li>• Off is the default setting.</li> <li>• If the Job Expiration setting is changed while confidential jobs reside on the printer RAM or printer hard disk, the expiration time for those print jobs does not change to the new default value.</li> <li>• If the printer is turned off, all confidential jobs held in printer RAM are deleted.</li> </ul>

## Disk Wiping menu

Menu item	Description
<b>Wiping Mode</b>	Sets the wiping mode to Auto, Manual or Off
<b>Automatic Method</b> Single pass Multiple pass	Disk Wiping erases <i>only</i> print job data that <i>is not</i> currently in use by the file system from the printer hard disk. All permanent data on the printer hard disk is preserved, such as downloaded fonts, macros, and held jobs.  <b>Notes:</b> <ul style="list-style-type: none"> <li>• This menu item appears only if a formatted, non-defective printer hard disk is installed.</li> <li>• Single pass is the default setting.</li> <li>• Highly confidential information should be wiped using the Multiple pass method <i>only</i>.</li> </ul>
<b>Manual Method</b> Single pass Multiple pass	Disk Wiping erases <i>only</i> print job data that <i>is not</i> currently in use by the file system from the printer hard disk. All permanent data on the printer hard disk is preserved, such as downloaded fonts, macros, and held jobs.  Both manual and scheduled wiping allow the file system to reuse marked disk space without first having to wipe it.  <b>Notes:</b> <ul style="list-style-type: none"> <li>• This menu item appears only if a formatted, non-defective printer hard disk is installed.</li> <li>• Single pass is the default setting.</li> <li>• Highly confidential information should be wiped using the Multiple Pass method <i>only</i>.</li> </ul>



Menu item	Description
<b>Scheduled Method</b> Single pass Multiple pass	<p>Disk Wiping erases <i>only</i> print job data that <i>is not</i> currently in use by the file system from the printer hard disk. All permanent data on the printer hard disk is preserved, such as downloaded fonts, macros, and held jobs.</p> <p>Both manual and scheduled wiping allow the file system to reuse marked disk space without first having to wipe it.</p> <p><b>Notes:</b></p> <ul style="list-style-type: none"> <li>• This menu item appears only if a formatted, non-defective printer hard disk is installed.</li> <li>• Single pass is the default setting.</li> <li>• Highly confidential information should be wiped using the Multiple Pass method <i>only</i>.</li> <li>• Scheduled wipes are initiated <i>without</i> displaying a user warning or confirmation message.</li> </ul>

## Security Audit Log menu

Menu item	Description
<b>Export Log</b>	<p>Enables an authorized user to export the security log</p> <p><b>Notes:</b></p> <ul style="list-style-type: none"> <li>• To export the log from the printer control panel, a flash drive must be attached to the printer.</li> <li>• From the Embedded Web Server, the log can be downloaded to a computer.</li> </ul>
<b>Delete Log</b> Yes No	<p>Specifies whether audit logs are deleted</p> <p><b>Note:</b> Delete Now is the factory default setting.</p>
<b>Configure Log</b> Enable Audit Enable Remote Syslog Remote Syslog Server Remote Syslog Port Remote Syslog Method Remote Syslog Facility	<p>Specifies whether and how the audit logs are created</p>

## Set Date and Time menu

Menu item	Description
<b>Current Date and Time</b>	Lets you view the current date and time settings for the printer
<b>Manually Set Date &amp; Time</b> <input date/time>	<b>Note:</b> Date/Time is set in YYYY-MM-DD HH:MM format.
<b>Time Zone</b> <list of time zones>	<b>Note:</b> GMT is the factory default setting.

Menu item	Description
<b>Automatically Observe DST</b> On Off	<b>Note:</b> On is the factory default setting and uses the applicable Daylight Saving Time associated with the Time Zone setting.
<b>Custom Time Zone Setup</b>	Set up your time zone.
<b>Enable NTP</b> On Off	Enables Network Time Protocol, which synchronizes the clocks of devices on a network  <b>Note:</b> On is the factory default setting.

## Settings menu

### General Settings menu

Menu item	Description
<b>Display Language</b> English Francais Deutsch Italiano Espanol Dansk Norsk Nederlands Svenska Portuguese Suomi Russian Polski Magyar Turkce Cesky Simplified Chinese Traditional Chinese Korean Japanese	Sets the language of the text appearing on the display  <b>Note:</b> All languages may not be available for all printers.

Menu item	Description
<b>Eco-Mode</b> Off Energy Energy/Paper Paper	Minimizes the use of energy, paper, or specialty media <b>Notes:</b> <ul style="list-style-type: none"> <li>• Off is the factory default setting. Off resets the printer to its factory default settings.</li> <li>• The Energy setting minimizes the power used by the printer. Performance may be affected, but print quality is not.</li> <li>• The Paper setting minimizes the amount of paper and specialty media needed for a print job. Performance may be affected, but print quality is not.</li> <li>• Energy/Paper minimizes the use of power and of paper and specialty media.</li> </ul>
<b>Run Initial setup</b> Yes No	Instructs the printer to run the setup wizard <b>Notes:</b> <ul style="list-style-type: none"> <li>• Yes is the factory default setting.</li> <li>• After completing the setup wizard by selecting Done at the Country select screen, the default becomes No.</li> </ul>
<b>Paper Sizes</b> US Metric	<b>Notes:</b> <ul style="list-style-type: none"> <li>• The initial setting is determined by your Country selection in the initial setup wizard.</li> <li>• Changing this setting also changes the Units of Measurement setting in the Universal Setup menu and the default for each input source in the Paper Size/Paper Type menu.</li> </ul>
<b>Output Lighting</b> Normal/Standby Mode <ul style="list-style-type: none"> <li>• Bright</li> <li>• Dim</li> <li>• Off</li> </ul> Power Saver <ul style="list-style-type: none"> <li>• Bright</li> <li>• Dim</li> <li>• Off</li> </ul>	Sets the amount of light from an optional output bin <b>Notes:</b> <ul style="list-style-type: none"> <li>• In Normal/Standby Mode, the factory default setting is Bright.</li> <li>• In Power Saver Mode, the factory default setting is Dim.</li> </ul>

Menu item	Description
<b>Alarms</b> Alarm Control Cartridge Alarm Staple Alarm Hole Punch Alarm	Sets an alarm to sound when the printer requires operator intervention Available selections for each alarm type are: Off Single Continuous <b>Notes:</b> <ul style="list-style-type: none"> <li>• Single is the factory default setting for Alarm Control. Single sounds three quick beeps.</li> <li>• Off is the factory default setting for Cartridge Alarm and Staple Alarm. Off means no alarm will sound.</li> <li>• Continuous repeats three beeps every 10 seconds.</li> <li>• The Staple Alarm is available only when the finisher is installed.</li> <li>• The Hole Punch Alarm is only displayed when a finisher with hole punch is installed.</li> </ul>
<b>Timeouts</b> Standby Mode	Sets the amount of time the printer is in standby mode
<b>Timeouts</b> Power Saver 1–240 min	Sets the amount of time the printer waits after a job is printed before it goes into a reduced power state <b>Notes:</b> <ul style="list-style-type: none"> <li>• 30 minutes is the factory default setting.</li> <li>• Lower settings conserve more energy, but may require longer warm-up times.</li> <li>• Select the lowest setting if the printer shares an electrical circuit with room lighting or you notice lights flickering in the room.</li> <li>• Select a high setting if the printer is in constant use. Under most circumstances, this keeps the printer ready to print with minimum warm-up time.</li> </ul>
<b>Timeouts</b> Screen Timeout 15–300 sec	Sets the amount of time in seconds the printer waits before returning the printer display to a <b>Ready</b> state <b>Note:</b> 30 seconds is the factory default setting.
<b>Timeouts</b> Print Timeout Disabled 1–255 sec	Sets the amount of time in seconds the printer waits to receive an end-of-job message before canceling the remainder of the print job <b>Notes:</b> <ul style="list-style-type: none"> <li>• 90 seconds is the factory default setting.</li> <li>• When the timer expires, any partially printed page still in the printer is printed, and then the printer checks to see if any new print jobs are waiting.</li> <li>• Print Timeout is available only when using PCL emulation. This setting has no effect on PostScript emulation print jobs.</li> </ul>

Menu item	Description
<b>Timeouts</b> Wait Timeout Disabled 15–65535 sec	Sets the amount of time in seconds the printer waits for additional data before canceling a print job  <b>Notes:</b> <ul style="list-style-type: none"> <li>• 40 seconds is the factory default setting.</li> <li>• Wait Timeout is available only when the printer is using PostScript emulation. This setting has no effect on PCL or PPDS emulation print jobs.</li> </ul>
<b>Timeouts</b> Job Hold Timeout 5–255 sec	Sets the amount of time the printer waits for user intervention before it holds jobs that require unavailable resources and continues to print other jobs in the print queue  <b>Notes:</b> <ul style="list-style-type: none"> <li>• 30 seconds is the factory default setting.</li> <li>• This menu item appears only when a printer hard disk is installed.</li> </ul>
<b>Print Recovery</b> Auto Continue Disabled 5–255 sec	Lets the printer automatically continue printing from certain offline situations when they are not resolved within the specified time period  <b>Note:</b> Disabled is the factory default setting.
<b>Print Recovery</b> Jam Recovery Auto On Off	Specifies whether the printer reprints jammed pages  <b>Notes:</b> <ul style="list-style-type: none"> <li>• Auto is the factory default setting. The printer reprints jammed pages unless the memory required to hold the pages is needed for other printer tasks.</li> <li>• On sets the printer to always reprint jammed pages.</li> <li>• Off sets the printer to never reprint jammed pages.</li> </ul>
<b>Print Recovery</b> Page Protect Off On	Lets the printer successfully print a page that may not have printed otherwise  <b>Notes:</b> <ul style="list-style-type: none"> <li>• Off is the factory default setting. Off prints a partial page when there is not enough memory to print the whole page.</li> <li>• On sets the printer to process the whole page so that the entire page prints.</li> </ul>
<b>Factory Defaults</b> Do Not Restore Restore Now	Returns the printer settings to the factory default settings  <b>Notes:</b> <ul style="list-style-type: none"> <li>• Do Not Restore is the factory default setting. Do Not Restore keeps the user-defined settings.</li> <li>• Restore Now returns all printer settings to the factory default settings except Network/Ports menu settings. All downloads stored in RAM are deleted. Downloads stored in flash memory or on a printer hard disk are not affected.</li> </ul>

## Copy Settings menu

Menu item	Description
<b>Content</b> Text/Photo Photograph Printed Image Text	Specifies the type of content contained in the copy job  <b>Notes:</b> <ul style="list-style-type: none"> <li>• Text/Photo is the factory default setting. Text/Photo is used when the original documents are a mixture of text and graphics or pictures.</li> <li>• Photograph tells the scanner to pay extra attention to graphics and pictures. This setting increases the time it takes to scan, but emphasizes a reproduction of the full dynamic range of tones in the original document. This increases the amount of information saved.</li> <li>• Printed Image is used when jobs are composed primarily of images. Printed Image converts the images to halftone. Halftoning makes a grayscale or color image printable by transforming it to a pattern of small spots with a limited number of colors.</li> <li>• Text emphasizes sharp, black, high-resolution text against a clean, white background.</li> </ul>
<b>Sides (Duplex)</b> 1 sided to 1 sided 1 sided to 2 sided 2 sided to 1 sided 2 sided to 2 sided	Specifies whether an original document is duplex (two-sided) or simplex (one-sided), and then specifies whether the copy should be duplex or simplex  <b>Notes:</b> <ul style="list-style-type: none"> <li>• <b>1 sided to 1 sided</b>—The original page has printing on one side. The copied page will have printing on one side.</li> <li>• <b>1 sided to 2 sided</b>—The original page has printing on one side. The copied page will have printing on both sides. For example, if the original is six sheets, the copy is three sheets with printing on both sides.</li> <li>• <b>2 sided to 1 sided</b>—The original page has printing on both sides. The copied page will have printing on only one side. For example, if the original draft is three sheets of paper with an image on each side of each sheet, then the copy is six sheets with only one image on one side of each sheet.</li> <li>• <b>2 sided to 2 sided</b>—The original page has printing on both sides. The copy mimics the original exactly.</li> </ul>
<b>Paper Saver</b> Off 2 on 1 Portrait 2 on 1 Landscape 4 on 1 Portrait 4 on 1 Landscape	Sets two or four sheets of an original document together on the same page  <b>Note:</b> Off is the factory default setting.
<b>Collate</b> On Off	Keeps the pages of a print job stacked in sequence when making multiple copies of the job  <b>Note:</b> On is the factory default setting.
<b>Staple</b>	Enables stapling

Menu item	Description
<b>Original Size</b> Letter Legal Executive Folio Statement Universal 4 x 6 in. 3 x 5 in. Business Card Custom Scan Size <x> A4 A5 Oficio (Mexico) A6 JIS B5 Book Original Auto Size Sense Mixed Letter/Legal	Specifies the paper size of the original document
<b>Copy To Source</b> Tray <x> Single Sheet Feeder Multi Sheet Feeder Auto Size Match	Specifies the paper source for copy jobs <b>Note:</b> Tray 1 is the factory default setting.
<b>Transparency Separators</b> On Off	Places a sheet of paper between transparencies <b>Note:</b> On is the factory default setting.
<b>Separator Sheets</b> None Between Copies Between Jobs Between Pages	Places a sheet of paper between pages, copies, or jobs based on the value selected <b>Note:</b> None is the factory default setting.
<b>Separator Source</b> Tray <x> Manual Feeder Envelope Feeder	Specifies a paper source
<b>Darkness</b> 1–9	Specifies the level of darkness for the copy job
<b>Output Bin</b> Standard Bin Bin <x>	Specifies which output bin receives the copy after it is printed
<b>Number of Copies</b>	Specifies the number of copies for the copy job

Menu item	Description
<p><b>Header/Footer</b></p> <p>Top left</p> <p>    Top left</p> <p>    Off</p> <p>    Date/Time</p> <p>    Page number</p> <p>    Bates number</p> <p>    Custom text</p> <p>Print on</p> <p>    All pages</p> <p>    First page only</p> <p>    All but first page</p> <p>Enter custom text</p>	<p>Specifies header/footer information for the top left of the page</p> <p><b>Notes:</b></p> <ul style="list-style-type: none"> <li>• Off is the factory default setting for Top left.</li> <li>• “All pages” is the factory default setting for Print on.</li> </ul>
<p><b>Header/Footer</b></p> <p>Top middle</p> <p>    Top middle</p> <p>    Off</p> <p>    Date/Time</p> <p>    Page number</p> <p>    Bates number</p> <p>    Custom text</p> <p>Print on</p> <p>    All pages</p> <p>    First page only</p> <p>    All but first page</p> <p>Enter custom text</p>	<p>Specifies header/footer information for the middle of the page</p> <p><b>Notes:</b></p> <ul style="list-style-type: none"> <li>• Off is the factory default setting for Top middle.</li> <li>• “All pages” is the factory default setting for Print on.</li> </ul>
<p><b>Header/Footer</b></p> <p>Top right</p> <p>    Top right</p> <p>    Off</p> <p>    Date/Time</p> <p>    Page number</p> <p>    Bates number</p> <p>    Custom text</p> <p>Print on</p> <p>    All pages</p> <p>    First page only</p> <p>    All but first page</p> <p>Enter custom text</p>	<p>Specifies header/footer information for the top right of the page</p> <p><b>Notes:</b></p> <ul style="list-style-type: none"> <li>• Off is the factory default setting for Top right.</li> <li>• “All pages” is the factory default setting for Print on.</li> </ul>



Menu item	Description
<p><b>Header/Footer</b>                      Bottom left                          Bottom left                              Off                              Date/Time                              Page number                              Bates number                              Custom text                      Print on                          All pages                          First page only                          All but first page                      Enter custom text</p>	<p>Specifies header/footer information for the bottom left of the page</p> <p><b>Notes:</b></p> <ul style="list-style-type: none"> <li>• Off is the factory default setting for Bottom left.</li> <li>• “All pages” is the factory default setting for Print on.</li> </ul>
<p><b>Header/Footer</b>                      Bottom middle                          Bottom middle                              Off                              Date/Time                              Page number                              Bates number                              Custom text                      Print on                          All pages                          First page only                          All but first page                      Enter custom text</p>	<p>Specifies header/footer information for the bottom middle of the page</p> <p><b>Notes:</b></p> <ul style="list-style-type: none"> <li>• Off is the factory default setting for Bottom middle.</li> <li>• “All pages” is the factory default setting for Print on.</li> </ul>
<p><b>Header/Footer</b>                      Bottom right                          Bottom right                              Off                              Date/Time                              Page number                              Bates number                              Custom text                      Print on                          All pages                          First page only                          All but first page                      Enter custom text</p>	<p>Specifies header/footer information for the bottom right of the page</p> <p><b>Notes:</b></p> <ul style="list-style-type: none"> <li>• Off is the factory default setting for Bottom right.</li> <li>• “All pages” is the factory default setting for Print on.</li> </ul>

Menu item	Description
<b>Overlay</b> Off Confidential Copy Draft Urgent Custom	Specifies overlay text that is printed on each page of the copy job <b>Note:</b> Off is the factory default setting.
<b>Custom Overlay</b>	Specifies custom overlay text
<b>Allow priority copies</b> On Off	Allows interruption of a print job to copy a page or document <b>Note:</b> On is the factory default setting.
<b>Custom Job scanning</b> On Off	Lets you copy in a single copy job a document that contains mixed paper sizes
<b>Allow Save as Shortcut</b> On Off	Lets you save custom copy settings as shortcuts <b>Note:</b> On is the factory default setting.
<b>Background Removal</b> -4 to +4	Adjusts the amount of background visible on a copy

## Fax Settings menu

### Fax Mode (Analog Fax Setup) menu

Analog Fax Setup mode sends the fax job by way of a telephone line.

## General Fax Settings

Menu item	Description
<b>Fax Cover Page</b> Fax Cover Page Off by default On by default Never Use Always Use Include To field On Off Include From field On Off From Include Message field On Off Message Include Logo On Off Include Footer <x> Footer <x>	Configures the fax cover page <b>Note:</b> Off is the factory default setting for all Fax Cover Page options.
<b>Station Name</b>	Specifies the name of the fax within the printer
<b>Station Number</b>	Specifies a number associated with the fax
<b>Station ID</b> Station Name Station Number	Specifies how the fax is identified
<b>Enable Manual Fax</b> On Off	Sets the printer to fax manually only, which requires a line splitter and a telephone hand set <b>Notes:</b> <ul style="list-style-type: none"> <li>• Use a regular telephone to answer an incoming fax job and to dial a fax number.</li> <li>• Touch # 0 on the numeric keypad to go directly to the Manual Fax function.</li> </ul>
<b>Memory Use</b> All receive Mostly receive Equal Mostly sent All send	Defines the allocation of non-volatile memory between sending and receiving fax jobs <b>Notes:</b> <ul style="list-style-type: none"> <li>• “All receive” specifies that all the memory is set to receive fax jobs.</li> <li>• “Mostly receive” specifies that most of the memory is set to receive fax jobs.</li> <li>• Equal is the factory default setting. Equal splits the memory for sending and receiving fax jobs into equal amounts.</li> <li>• “Mostly sent” specifies that most of the memory is set to send fax jobs.</li> <li>• “All send” specifies that all the memory is set to send fax jobs.</li> </ul>

Menu item	Description
<b>Cancel Faxes</b> Allow Don't Allow	Specifies whether the printer may cancel fax jobs <b>Note:</b> If Cancel Faxes is not enabled, it will not appear as an option.
<b>Caller ID</b> FSK DTMF	Specifies type of caller ID being used <b>Note:</b> FSK is the factory default setting.
<b>Fax number masking</b> Off From left From right	Specifies the direction from which digits are masked in an outgoing fax number <b>Note:</b> The number of characters masked is determined by the "Digits to mask" setting.
<b>Digits to mask</b> 0–58	Specifies the number of digits to mask in an outgoing fax number

### Fax Send Settings

Menu item	Description
<b>Resolution</b> Standard Fine Super Fine Ultra Fine	Specifies quality in dots per inch (dpi). A higher resolution gives greater print quality, but it increases the fax transmission time for outgoing faxes. <b>Note:</b> Standard is the factory default setting.
<b>Original Size</b> Letter Legal Executive Folio Statement Universal 4 x 6 in. 3 x 5 in. Business Card Custom Scan Size <x> A4 A5 Oficio (Mexico) A6 JIS B5 Book Original Auto Size Sense Mixed Letter/Legal	Specifies the paper size of the document that is being scanned <b>Note:</b> Letter is the US factory default setting. A4 is the international factory default setting.

Menu item	Description
<b>Sides (Duplex)</b> Off Long edge Short edge	Specifies how the text and graphics are oriented on the page <b>Notes:</b> <ul style="list-style-type: none"> <li>• Off is the factory default setting.</li> <li>• Long edge assumes binding along the long edge of the page (left edge for portrait orientation and top edge for landscape orientation).</li> <li>• Short edge assumes binding along the short edge of the page (top edge for portrait orientation and left edge for landscape orientation).</li> </ul>
<b>Content</b> Text Text/Photo Photograph	Specifies the type of content that will be scanned to fax <b>Notes:</b> <ul style="list-style-type: none"> <li>• Text is used when the document is mostly text.</li> <li>• Text/Photo is the factory default setting. Text/Photo is used when the documents are mostly text or line art.</li> <li>• Photograph is used when the document is a high-quality photograph or inkjet print.</li> </ul>
<b>Darkness</b> 1–9	Lightens or darkens the output <b>Note:</b> 5 is the factory default setting.
<b>Dial Prefix</b>	A numeric entry field is provided to enter numbers
<b>Dialing Prefix Rules</b> Prefix Rule <x>	Establishes a dialing prefix rule
<b>Automatic Redial</b> 0–9	Specifies the number of times the printer tries to send the fax to a specified number <b>Note:</b> 5 is the factory default setting.
<b>Redial Frequency</b> 1–200	Specifies the number of minutes between redials
<b>Behind a PABX</b> Off On	Enables switchboard blind dialing without a dial tone
<b>Enable ECM</b> On Off	Enables Error Correction Mode for fax jobs
<b>Enable Fax Scans</b> On Off	Lets you send faxes by scanning at the printer
<b>Driver to fax</b> On Off	Allows driver to fax jobs to be sent by the printer
<b>Allow Save as Shortcut</b> On Off	Lets you save fax numbers as shortcuts in the printer

Menu item	Description
<b>Dial Mode</b> Tone Pulse	Specifies the dialing sound, either as a tone or a pulse.
<b>Max Speed</b> 2400 4800 9600 14400 33600	Specifies the maximum speed in baud at which faxes are sent
<b>Custom Job scanning</b> On Off	Lets you scan a document that contains mixed paper sizes into a single file
<b>Scan Preview</b> On Off	Specifies whether a preview will appear on the display for scan jobs
<b>Background Removal</b> -4 to +4	Adjusts the amount of background visible on a copy <b>Note:</b> 0 is the factory default setting.
<b>Auto Center</b> On Off	Lets you automatically center the fax on the page <b>Note:</b> Off is the factory default setting.
<b>Color Dropout</b> Color Dropout None Red Green Blue Default Red Threshold 0–255 Default Green Threshold 0–255 Default Blue Threshold 0–255	Specifies which color to drop during faxing, and how much to increase or decrease the dropout <b>Notes:</b> <ul style="list-style-type: none"> <li>• None is the factory default setting for Color Dropout.</li> <li>• 128 is the factory default setting for each color threshold.</li> </ul>
<b>Contrast</b> Best for content 0–5	Specifies the contrast of the output <b>Note:</b> “Best for content” is the factory default setting.
<b>Mirror Image</b> On Off	Creates a mirror image of the original document <b>Note:</b> Off is the factory default setting.
<b>Negative Image</b> On Off	Creates a negative image of the original document <b>Note:</b> Off is the factory default setting.

Menu item	Description
<b>Shadow Detail</b> 0–4	Adjusts the amount of shadow detail visible on a fax <b>Note:</b> 0 is the factory default setting.
<b>Scan edge to edge</b> On Off	Specifies if the original document is scanned edge-to-edge prior to faxing <b>Note:</b> Off is the factory default setting.
<b>Sharpness</b> 0–5	Adjusts the amount of sharpness on a fax <b>Note:</b> 3 is the factory default setting.
<b>Enable Color Fax Scans</b> On by default Never use Always use Off by default	Enables color faxing <b>Note:</b> “Off by default” is the factory default setting.
<b>Auto Convert Color Faxes to Mono Faxes</b> On Off	Converts all outgoing faxes to black and white <b>Note:</b> On is the factory default setting.

### Fax Receive Settings

Menu item	Description
<b>Enable Fax Receive</b> On Off	Allows fax jobs to be received by the printer <b>Note:</b> On is the factory default setting.
<b>Rings to Answer</b> 1–25	Specifies the number of rings before answering an incoming fax job <b>Note:</b> 1 is the factory default setting.
<b>Auto Reduction</b> On Off	Scales an incoming fax job so it fits the size of the paper loaded in the designated fax source <b>Note:</b> On is the factory default setting.
<b>Paper Source</b> Auto Tray <x> Multi-Purpose Feeder	Specifies the paper source selected to supply paper for the printer to print an incoming fax
<b>Output Bin</b> Standard Bin Bin 1<x>	Specifies an output bin for received faxes <b>Note:</b> Bin 1 is available only when the finisher is installed.
<b>Sides (Duplex)</b> On Off	Enables duplex printing (two-sided printing) for incoming fax jobs
<b>Fax Footer</b> On Off	Prints the transmission information at the bottom of each page from a received fax <b>Note:</b> On is the factory default setting.

Menu item	Description
<b>Max Speed</b> 2400 4800 9600 14400 33600	Specifies the maximum speed in baud at which faxes are received
<b>Fax Forwarding</b> Forward Print Print and Forward	Enables forwarding of received faxes to another recipient
<b>Forward to</b> Fax E-mail FTP LDSS eSF	Specifies the type of recipient to which faxes will be forwarded <b>Note:</b> This item is available only from the printer Embedded Web Server.
<b>Forward to Shortcut</b>	Lets you enter the shortcut number which matches the recipient type (Fax, E-mail, FPT, LDSS, or eSF)
<b>Block No Name Fax</b> On Off	Enables blocking of incoming faxes sent from devices with no station ID specified
<b>Banned Fax List</b>	Enables the list of banned fax numbers stored in the printer
<b>Holding Faxes</b> Held Fax Mode Off Always On Manual Scheduled Fax Holding Schedule	Enables fax holding all of the time or according to a set schedule <b>Note:</b> Off is the factory default setting.
<b>Staple</b> On Off	Specifies the default staple setting for the attached finisher <b>Note:</b> Only the settings associated with the installed finisher appear.

### Fax Log Settings

Menu item	Description
<b>Transmission Log</b> Print log Do not print log Print only for error	Enables printing of a transmission log after each fax job
<b>Receive Error Log</b> Print Never Print on Error	Enables printing of a receive error log following a receive error



Menu item	Description
<b>Auto Print Logs</b> On Off	Enables automatic printing of fax logs <b>Note:</b> Logs print after every 200 jobs.
<b>Log Paper Source</b> Tray <x> Manual Feeder	Selects the source of the paper used for printing logs
<b>Logs Display</b> Remote Station Name Dialed Number	Specifies whether printed logs display the dialed number or the station name returned
<b>Enable Job Log</b> On Off	Enables access to the Fax Job log
<b>Enable Call Log</b> On Off	Enables access to the Fax Call log
<b>Log Output Bin</b> Standard Bin Bin <x>	Specifies the output bin where fax logs are printed

### Speaker Settings

Menu item	Description
<b>Speaker Mode</b> Always Off On until Connected Always On	<b>Notes:</b> <ul style="list-style-type: none"> <li>• Always Off turns the speaker off.</li> <li>• On until Connected is the factory default setting. The speaker is on and issues a noise until the fax connection is made.</li> <li>• Always On turns the speaker on.</li> </ul>
<b>Speaker Volume</b> High Low	Controls the volume setting <b>Note:</b> High is the factory default setting.
<b>Ringer Volume</b> On Off	Controls the fax speaker ringer volume <b>Note:</b> On is the factory default setting.

### Distinctive Rings

Menu item	Description
<b>Single Ring</b> On Off	Answers calls with a one-ring pattern <b>Note:</b> On is the factory default setting.

Menu item	Description
<b>Double Ring</b> On Off	Answers calls with a double-ring pattern <b>Note:</b> On is the factory default setting.
<b>Triple Ring</b> On Off	Answers calls with a triple-ring pattern <b>Note:</b> On is the factory default setting.

## Fax Mode (Fax Server Setup) menu

Fax Server mode sends the fax job to a fax server for transmission.

### Fax Server Setup

Menu item	Description
<b>To Format</b> <b>Reply Address</b> <b>Subject</b> <b>Message</b>	Lets you enter the information using the virtual keyboard on the printer touch screen
<b>Primary SMTP Gateway</b>	Specifies SMTP server port information <b>Note:</b> 25 is the default SMTP gateway port.
<b>Secondary SMTP Gateway</b>	Specifies SMTP server port information <b>Note:</b> 25 is the default SMTP gateway port.
<b>Image Format</b> PDF (.pdf) XPS (.xps) TIFF (.tif)	Specifies the image type for scan to fax
<b>Content</b> Text Text/Photo Photograph	Specifies the type of content that will be scanned to fax <b>Notes:</b> <ul style="list-style-type: none"> <li>• Text is used when the document is mostly text.</li> <li>• Text/Photo is the factory default setting. Text/Photo is used when the documents are mostly text or line art.</li> <li>• Photograph is used when the document is a high-quality photograph or inkjet print.</li> </ul>
<b>Fax Resolution</b> Standard Fine Super Fine Ultra Fine	Specifies the resolution level for scan to fax
<b>Darkness</b> 1–9	Lightens or darkens the output <b>Note:</b> 5 factory default setting.

Menu item	Description
<b>Orientation</b> Portrait Landscape	Specifies the orientation of the scanned image
<b>Original Size</b> Letter Legal Executive Folio Statement Universal 4 x 6 in. 3 x 5 in. Business Card Custom Scan Size <x> A4 A5 Oficio (Mexico) A6 JIS B5 Book Original Auto Size Sense Mixed Letter/Legal	Specifies the paper size of the document that is being scanned <b>Note:</b> Letter is the US factory default setting. A4 is the international factory default setting.
<b>Use Multi-Page TIFF</b> On Off	Provides a choice between single-page TIFF files and multiple-page TIFF files. For a multiple-page scan to fax job, either one TIFF file is created containing all the pages, or multiple TIFF files are created with one file for each page of the job.  <b>Notes:</b> <ul style="list-style-type: none"> <li>• On is the factory default setting.</li> <li>• This menu item applies to all scan functions.</li> </ul>
<b>Enable Analog Receive</b> On Off	Enables analog fax receive <b>Note:</b> Off is the factory default setting.

## E-mail Settings menu

Menu item	Description
<b>E-mail Server Setup</b> Subject Message	Specifies e-mail server information <b>Note:</b> The message box has a limitation of 512 characters.

Menu item	Description
<b>E-mail Server Setup</b> Send me a copy Never appears On by default Off by default Always On	Sends a copy of the e-mail back to the creator of the e-mail
<b>E-mail Server Setup</b> Max e-mail size 0–65535 KB	Specifies the maximum e-mail size in kilobytes <b>Note:</b> E-mail above the specified size is not sent.
<b>E-mail Server Setup</b> Size Error Message	Sends a message when an e-mail is greater than the configured size limit
<b>E-mail Server Setup</b> Limit destinations	Sends an e-mail only when the address contains the domain name, such as a company domain name  <b>Notes:</b> <ul style="list-style-type: none"> <li>• E-mail can only be sent to the specified domain.</li> <li>• The limit is one domain.</li> </ul>
<b>E-mail Server Setup</b> Web Link Setup Server Login Password Path Base file name Web Link	Defines the path name <b>Note:</b> Defines the path. For example: /directory/path The following characters or symbols are invalid entries for a path name: * : ? < >   .
<b>Format</b> PDF (.pdf) Secure PDF TIFF (.tif) JPEG (.jpg) XPS (.xps)	Specifies the format of the file
<b>PDF Version</b> 1.2–1.6	Sets the version of the PDF file that will be scanned to e-mail <b>Note:</b> 1.5 is the factory default setting.
<b>Content</b> Text/Photo Photograph Text	Specifies the type of content that will be scanned to e-mail  <b>Notes:</b> <ul style="list-style-type: none"> <li>• Text/Photo is the factory default setting. Text/Photo is used when the documents are mostly text or line art.</li> <li>• Photograph is used when the document is a high-quality photograph or inkjet print.</li> <li>• Text is used when the document is mostly text.</li> </ul>

Menu item	Description
<b>Color</b> Gray Color	Specifies whether a job prints in grayscale or color <b>Note:</b> Gray is the factory default setting.
<b>Resolution</b> 75 150 200 300 400 600	Specifies how many dots per inch are scanned <b>Note:</b> 150 dpi is the factory default setting.
<b>Darkness</b> 1–9	Lightens or darkens the output <b>Note:</b> 5 is the factory default setting.
<b>Orientation</b> Portrait Landscape	Specifies the orientation of the scanned image <b>Note:</b> Portrait is the factory default setting.
<b>Original Size</b> Letter Legal Executive Folio Statement Universal 4 x 6 in. 3 x 5 in. Business Card Custom Scan Size <x> A4 A5 Oficio (Mexico) A6 JIS B5 Book Original Auto Size Sense Mixed Letter/Legal	Specifies the paper size of the document that is being scanned <b>Note:</b> Letter is the US factory default setting. A4 is the international factory default setting.
<b>Sides (Duplex)</b> Off Long edge Short edge	Specifies how the text and graphics are oriented on the page <b>Notes:</b> <ul style="list-style-type: none"> <li>• Off is the factory default setting.</li> <li>• Long edge assumes binding along the long edge of the page (left edge for portrait orientation and top edge for landscape orientation).</li> <li>• Short edge assumes binding along the short edge of the page (top edge for portrait orientation and left edge for landscape orientation).</li> </ul>

Menu item	Description
<b>JPEG Quality</b> Best for content 5–90	Sets the quality of a JPEG photo image in relation to file size and the quality of the image <b>Notes:</b> <ul style="list-style-type: none"> <li>• “Best for content” is the factory default setting.</li> <li>• 5 reduces the file size, but the quality of the image is lessened.</li> <li>• 90 provides the best image quality, but the file size is very large.</li> <li>• This menu item applies to all scan functions.</li> </ul>
<b>E-mail images sent as</b> Attachment Web Link	Specifies how the images will be sent <b>Note:</b> Attachment is the factory default setting.
<b>Use Multi-Page TIFF</b> On Off	Provides a choice between single-page TIFF files and multiple-page TIFF files. For a multiple-page scan to e-mail job, either one TIFF file is created containing all the pages, or multiple TIFF files are created with one file for each page of the job. <b>Notes:</b> <ul style="list-style-type: none"> <li>• On is the factory default setting.</li> <li>• This menu item applies to all scan functions.</li> </ul>
<b>Transmission Log</b> Print log Do not print log Print only for error	Specifies whether the transmission log prints <b>Note:</b> “Print log” is the factory default setting.
<b>Log Paper Source</b> Tray <x> Manual Feeder Manual Env MP Feeder	Specifies a paper source for printing e-mail logs <b>Note:</b> Tray 1 is the factory default setting.
<b>Log Output Bin</b> Standard Bin Bin <x>	Specifies an output bin for the printed e-mail log
<b>E-mail Bit Depth</b> 8 bit 1 bit	Enables the Text/Photo mode to have smaller file sizes by using 1-bit images when Color is set to Off. <b>Note:</b> 8 bit is the factory default setting.
<b>Custom Job scanning</b> On Off	Lets you copy a document that contains mixed paper sizes into a single job
<b>Scan Preview</b> On Off	Specifies whether a preview will appear on the display for scan jobs <b>Note:</b> Off is the factory default setting.

Menu item	Description
<b>Allow Save as Shortcut</b> On Off	Lets you save e-mail addresses as shortcuts <b>Notes:</b> <ul style="list-style-type: none"> <li>• Off is the factory default setting.</li> <li>• When set to Off, the Save as Shortcut button does not appear on the E-mail Destination screen.</li> </ul>
<b>Background Removal</b> -4 to +4	Adjusts the amount of background visible on a scanned image <b>Note:</b> 0 is the factory default setting.
<b>Auto Center</b> On Off	Lets you automatically center the copy on the page <b>Note:</b> Off is the factory default setting.
<b>Color Dropout</b> Color Dropout None Red Green Blue Default Red Threshold 0–255 Default Green Threshold 0–255 Default Blue Threshold 0–255	Specifies which color to drop during scanning, and how much to increase or decrease the dropout <b>Notes:</b> <ul style="list-style-type: none"> <li>• None is the factory default setting for Color Dropout.</li> <li>• 128 is the factory default setting for each color threshold.</li> </ul>
<b>Contrast</b> 0–5 Best for content	Specifies the contrast of the output <b>Note:</b> “Best for content” is the factory default setting.
<b>Mirror Image</b> On Off	Creates a mirror image of the original document <b>Note:</b> Off is the factory default setting.
<b>Negative Image</b> On Off	Creates a negative image of the original document <b>Note:</b> Off is the factory default setting.
<b>Shadow Detail</b> 0–4	Adjusts the amount of shadow detail visible on a scanned image <b>Note:</b> 0 is the factory default setting.
<b>Scan edge to edge</b> On Off	Specifies whether the original document is scanned edge-to-edge <b>Note:</b> Off is the factory default setting.
<b>Sharpness</b> 0–5	Adjusts the amount of sharpness on a scanned image <b>Note:</b> 3 is the factory default setting.
<b>Use cc:/bcc:</b> On Off	Enables the use of the cc: and bcc: fields <b>Note:</b> Off is the factory default setting.

## FTP Settings menu

Menu item	Description
<b>Format</b> PDF (.pdf) Secure PDF TIFF (.tif) JPEG (.jpg) XPS (.xps)	Specifies the format of the FTP file <b>Note:</b> PDF (.pdf) is the factory default setting.
<b>PDF Version</b> 1.2–1.6	Sets the version level of the PDF file for FTP <b>Note:</b> 1.5 is the factory default setting.
<b>Content</b> Text/Photo Photograph Text	Specifies the type of content that will be scanned to FTP <b>Notes:</b> <ul style="list-style-type: none"> <li>• Text/Photo is the factory default setting. Text/Photo is used when the documents are mostly text or line art.</li> <li>• Photograph is used when the document is a high-quality photograph or inkjet print</li> <li>• Text is used when the document is mostly text.</li> </ul>
<b>Color</b> Gray Color	Specifies whether a job prints in grayscale or color <b>Note:</b> Gray is the factory default setting.
<b>Resolution</b> 75 150 200 300 400 600	Specifies how many dots per inch are scanned <b>Note:</b> 150 dpi is the factory default setting.
<b>Darkness</b> 1–9	Lightens or darkens the output <b>Note:</b> 5 is the factory default setting.
<b>Orientation</b> Portrait Landscape	Specifies the orientation of the scanned image <b>Note:</b> Portrait is the factory default setting.



Menu item	Description
<p><b>Original Size</b></p> <ul style="list-style-type: none"> <li>Letter</li> <li>Legal</li> <li>Executive</li> <li>Folio</li> <li>Statement</li> <li>Universal</li> <li>4 x 6 in.</li> <li>3 x 5 in.</li> <li>Business Card</li> <li>Custom Scan Size &lt;x&gt;</li> <li>A4</li> <li>A5</li> <li>Oficio (Mexico)</li> <li>A6</li> <li>JIS B5</li> <li>Book Original</li> <li>Auto Size Sense</li> <li>Mixed Letter/Legal</li> </ul>	<p>Specifies the paper size of the document that is being scanned</p> <p><b>Note:</b> Letter is the US factory default setting. A4 is the international factory default setting.</p>
<p><b>Sides (Duplex)</b></p> <ul style="list-style-type: none"> <li>Off</li> <li>Long edge</li> <li>Short edge</li> </ul>	<p>Specifies how the text and graphics are oriented on the page</p> <p><b>Notes:</b></p> <ul style="list-style-type: none"> <li>• Off is the factory default setting.</li> <li>• Long edge assumes binding along the long edge of the page (left edge for portrait orientation and top edge for landscape orientation).</li> <li>• Short edge assumes binding along the short edge of the page (top edge for portrait orientation and left edge for landscape orientation).</li> </ul>
<p><b>JPEG Quality</b></p> <ul style="list-style-type: none"> <li>Best for content</li> <li>5–90</li> </ul>	<p>Sets the quality of a JPEG photo image in relation to file size and the quality of the image</p> <p><b>Notes:</b></p> <ul style="list-style-type: none"> <li>• “Best for content” is the factory default setting.</li> <li>• 5 reduces the file size, but the quality of the image is lessened.</li> <li>• 90 provides the best image quality, but the file size is very large.</li> <li>• This menu item applies to all scan functions.</li> </ul>
<p><b>Use Multi-Page TIFF</b></p> <ul style="list-style-type: none"> <li>On</li> <li>Off</li> </ul>	<p>Provides a choice between single-page TIFF files and multiple-page TIFF files. For a multiple-page scan to FTP job, either one TIFF file is created containing all the pages, or multiple TIFF files are created with one file for each page of the job.</p> <p><b>Notes:</b></p> <ul style="list-style-type: none"> <li>• On is the factory default setting.</li> <li>• This menu item applies to all scan functions.</li> </ul>

Menu item	Description
<b>Transmission Log</b> Print log Do not print log Print only for error	Specifies whether the transmission log prints <b>Note:</b> "Print log" is the factory default setting.
<b>Log Paper Source</b> Tray <x> Manual Feeder Manual Env MP Feeder	Specifies a paper source for FTP logs <b>Note:</b> Tray 1 is the factory default setting.
<b>Log Output Bin</b> Standard Bin Bin <x>	Specifies an output bin for the FTP log
<b>FTP bit Depth</b> 8 bit 1 bit	Enables the Text/Photo mode to have smaller file sizes by using 1-bit images when Color is set to Off <b>Note:</b> 8 bit is the factory default setting.
<b>Base File Name</b>	Lets you enter a base file name
<b>Custom Job Scanning</b> On Off	Lets you copy a document that contains mixed paper sizes into a single job
<b>Scan Preview</b> On Off	Specifies whether a preview will appear on the display for scan jobs <b>Note:</b> Off is the factory default setting.
<b>Allow Save as Shortcut</b> On Off	Enables shortcut creation for FTP addresses <b>Note:</b> On is the factory default setting.
<b>Background Removal</b> -4 to +4	Adjusts the amount of background visible on a copy <b>Note:</b> 0 is the factory default setting.
<b>Auto Center</b> On Off	Lets you automatically center the copy on the page <b>Note:</b> Off is the factory default setting.
<b>Color Dropout</b> Color Dropout None Red Green Blue Default Red Threshold 0–255 Default Green Threshold 0–255 Default Blue Threshold 0–255	Specifies which color to drop during scanning, and how much to increase or decrease the dropout <b>Notes:</b> <ul style="list-style-type: none"> <li>• None is the factory default setting for Color Dropout.</li> <li>• 128 is the factory default setting for each color threshold.</li> </ul>

Menu item	Description
<b>Contrast</b> 0–5 Best for content	Specifies the contrast of the output <b>Note:</b> “Best for content” is the factory default setting.
<b>Mirror Image</b> On Off	Creates a mirror image of the original document <b>Note:</b> Off is the factory default setting.
<b>Negative Image</b> On Off	Creates a negative image of the original document <b>Note:</b> Off is the factory default setting.
<b>Shadow Detail</b> 0–4	Adjusts the amount of shadow detail visible on a scanned image <b>Note:</b> 0 is the factory default setting.
<b>Scan edge to edge</b> On Off	Specifies whether the original document is scanned edge-to-edge <b>Note:</b> Off is the factory default setting.
<b>Sharpness</b> 0–5	Adjusts the amount of sharpness on a scanned image <b>Note:</b> 3 is the factory default setting.

## Flash Drive menu

### Scan Settings

Menu item	Description
<b>Format</b> PDF (.pdf) Secure PDF TIFF (.tif) JPEG (.jpg) XPS (.xps)	Specifies the format of the file
<b>PDF Version</b> 1.2–1.6	Sets the version of the PDF file that will be scanned to USB <b>Note:</b> 1.5 is the factory default setting.
<b>Content</b> Text/Photo Photograph Text	Specifies the type of content that will be scanned to USB <b>Notes:</b> <ul style="list-style-type: none"> <li>• Text/Photo is the factory default setting. Text/Photo is used when the documents are mostly text or line art.</li> <li>• Photograph is used when the document is a high-quality photograph or inkjet print</li> <li>• Text is used when the document is mostly text.</li> </ul>
<b>Color</b> Gray Color	Specifies whether job prints in grayscale or color <b>Note:</b> Gray is the factory default setting.

Menu item	Description
<b>Resolution</b> 75 150 200 300 400 600	Specifies how many dots per inch are scanned <b>Note:</b> 150 dpi is the factory default setting.
<b>Darkness</b> 1–9	Lightens or darkens the output <b>Note:</b> 5 is the factory default setting.
<b>Orientation</b> Portrait Landscape	Specifies the orientation of the scanned image <b>Note:</b> Portrait is the factory default setting.
<b>Original Size</b> Letter Legal Executive Folio Statement Universal 4 x 6 in. 3 x 5 in. Business Card Custom Scan Size <x> A4 A5 Oficio (Mexico) A6 JIS B5 Book Original Auto Size Sense Mixed Letter/Legal	Specifies the paper size of the document that is being scanned <b>Note:</b> Letter is the US factory default setting. A4 is the international factory default setting.
<b>Sides (Duplex)</b> Off Long edge Short edge	Specifies how the text and graphics are oriented on the page <b>Notes:</b> <ul style="list-style-type: none"> <li>• Off is the factory default setting.</li> <li>• Long edge assumes binding along the long edge of the page (left edge for portrait orientation and top edge for landscape orientation).</li> <li>• Short edge assumes binding along the short edge of the page (top edge for portrait orientation and left edge for landscape orientation).</li> </ul>

Menu item	Description
<b>Photo JPEG Quality</b> 5–90	Sets the quality of a JPEG photo image in relation to file size and the quality of the image <b>Notes:</b> <ul style="list-style-type: none"> <li>• 50 is the factory default setting.</li> <li>• 5 reduces the file size, but the quality of the image is lessened.</li> <li>• 90 provides the best image quality, but the file size is very large.</li> <li>• This menu item applies to all scan functions.</li> </ul>
<b>JPEG Quality</b> Best for content 5–90	Sets the quality of a JPEG text or text/photo image in relation to file size and the quality of the image. <b>Notes:</b> <ul style="list-style-type: none"> <li>• “Best for content” is the factory default setting.</li> <li>• 5 reduces the file size, but the quality of the image is lessened.</li> <li>• 90 provides the best image quality, but the file size is very large.</li> <li>• This menu item applies to Text, Text/Photo, and all scan functions.</li> </ul>
<b>Use Multi-Page TIFF</b> On Off	Provides a choice between single-page TIFF files and multiple-page TIFF files. For a multiple-page scan to USB job, either one TIFF file is created containing all the pages, or multiple TIFF files are created with one file for each page of the job. <b>Notes:</b> <ul style="list-style-type: none"> <li>• On is the factory default setting.</li> <li>• This menu item applies to all scan functions.</li> </ul>
<b>Scan bit Depth</b> 8 bit 1 bit	Enables the Text/Photo mode to have smaller file sizes by using 1-bit images when Color is set to Off <b>Note:</b> 8 bit is the factory default setting.
<b>Base File Name</b>	Lets you enter a base file name
<b>Custom Job scanning</b> Off On	Lets you copy a document that contains mixed paper sizes into a single job
<b>Scan Preview</b> On Off	Specifies whether a preview will appear on the display for scan jobs <b>Note:</b> Off is the factory default setting.
<b>Background Removal</b> -4 to +4	Adjusts the amount of background visible on a copy <b>Note:</b> 0 is the factory default setting.
<b>Auto Center</b> On Off	Lets you automatically center the copy on the page <b>Note:</b> Off is the factory default setting.

Menu item	Description
<b>Color Dropout</b> Color Dropout None Red Green Blue Default Red Threshold 0–255 Default Green Threshold 0–255 Default Blue Threshold 0–255	Specifies which color to drop during scanning, and how much to increase or decrease the dropout  <b>Notes:</b> <ul style="list-style-type: none"> <li>• None is the factory default setting for Color Dropout.</li> <li>• 128 is the factory default setting for each color threshold.</li> </ul>
<b>Contrast</b> 0–5 Best for content	Specifies the contrast of the output  <b>Note:</b> “Best for content” is the factory default setting.
<b>Mirror Image</b> On Off	Creates a mirror image of the original document  <b>Note:</b> Off is the factory default setting.
<b>Negative Image</b> On Off	Creates a negative image of the original document  <b>Note:</b> Off is the factory default setting.
<b>Shadow Detail</b> 0–4	Adjusts the amount of shadow detail visible on a scanned image  <b>Note:</b> 0 is the factory default setting.
<b>Scan edge to edge</b> On Off	Specifies whether the original document is scanned edge-to-edge  <b>Note:</b> Off is the factory default setting.
<b>Sharpness</b> 0–5	Adjusts the amount of sharpness on a scanned image  <b>Note:</b> 3 is the factory default setting.

## Print Settings

Menu item	Description
<b>Copies</b>	Specifies the number of copies to print
<b>Paper Source</b> Tray <x> MP Feeder Manual Paper Manual Envelope	Specifies the paper source selected to supply paper for the printer to print from the flash drive
<b>Collate</b> Off (1,1,1,2,2,2) On (1,2,1,2,1,2)	Stacks the pages of a print job in sequence when printing multiple copies  <b>Notes:</b> <ul style="list-style-type: none"> <li>• Off is the factory default setting. No pages will be collated.</li> <li>• The On setting stacks the print job sequentially.</li> </ul>

Menu item	Description
<b>Sides (Duplex)</b> On Off	Enables duplex printing (two-sided printing)
<b>Staple</b> On Off	Enables stapling <b>Note:</b> Off is the factory default setting.
<b>Duplex Binding</b> Long Edge Short Edge	Defines the way duplexed pages are bound and how the printing on the back of the page is oriented in relation to the printing on the front of the page <b>Notes:</b> <ul style="list-style-type: none"> <li>• Long Edge is the factory default setting.</li> <li>• Long Edge specifies that binding be placed on the left edge of portrait pages and the top edge of landscape pages.</li> <li>• Short Edge specifies that binding be placed on the top edge of portrait pages and the left edge of landscape pages.</li> </ul>
<b>Orientation</b> Auto Portrait Landscape	Specifies the orientation of the print job <b>Note:</b> Auto is the factory default setting.
<b>N-up (pages/side)</b> Off 2 Up 3 Up 4 Up 6 Up 9 Up 12 Up 16 Up	Specifies that multiple-page images be printed on one side of a sheet of paper. This is also referred to as Paper Saver. <b>Notes:</b> <ul style="list-style-type: none"> <li>• Off is the factory default setting.</li> <li>• The number selected is the number of page images that will print per side.</li> </ul>
<b>N-up Border</b> None Solid	Prints a border around each page image when using N-up <b>Note:</b> None is the factory default setting.
<b>N-up Ordering</b> Horizontal Reverse Horizontal Reverse Vertical Vertical	Specifies the positioning of multiple-page images when using N-up <b>Notes:</b> <ul style="list-style-type: none"> <li>• Horizontal is the factory default setting.</li> <li>• Positioning depends on the number of images and whether the images are in portrait or landscape orientation.</li> </ul>
<b>Separator Sheets</b> None Between Copies Between Jobs Between Pages	Places a sheet of paper between pages, copies, or jobs based on the value selected <b>Note:</b> None is the factory default setting.

Menu item	Description
<b>Separator Source</b> Tray <x> Manual Feeder Envelope Feeder	Specifies a paper source
<b>Blank Pages</b> Do Not Print Print	Specifies whether blank pages are inserted in a print job <b>Note:</b> Do Not Print is the factory default setting.

## Print Settings

### Setup menu

Menu item	Description
<b>Printer Language</b> PCL Emulation PS Emulation	Sets the default printer language <b>Notes:</b> <ul style="list-style-type: none"> <li>• PCL emulation uses a PCL interpreter for processing print jobs. PostScript emulation uses a PS interpreter for processing print jobs.</li> <li>• PCL is the factory default printer language.</li> <li>• Setting a printer language as the default does not prevent a software program from sending print jobs that use another printer language.</li> </ul>
<b>Job Waiting</b> On Off	Specifies that print jobs be removed from the print queue if they require unavailable printer options or custom settings. They are stored in a separate print queue, so other jobs print normally. When the missing information and/or options are obtained, the stored jobs print. <b>Notes:</b> <ul style="list-style-type: none"> <li>• Off is the factory default setting.</li> <li>• This menu appears only if a non-Read Only printer hard disk is installed. This requirement ensures that stored jobs are not deleted if the printer loses power.</li> </ul>



Menu item	Description
<p><b>Print Area</b></p> <ul style="list-style-type: none"> <li>Normal</li> <li>Whole Page</li> </ul>	<p>Sets the logical and physical printable area</p> <p><b>Notes:</b></p> <ul style="list-style-type: none"> <li>• This menu does not appear if Edge to Edge is enabled in the printer Setup menu.</li> <li>• Normal is the factory default setting. When attempting to print data in the non-printable area defined by the Normal setting, the printer clips the image at the boundary.</li> <li>• The Whole Page setting allows the image to be moved into the non-printable area defined by the Normal setting, but the printer will clip the image at the Normal setting boundary.</li> <li>• The Whole Page setting only affects pages printed using a PCL 5e interpreter. This setting has no effect on pages printed using the PCL XL or PostScript interpreter.</li> </ul>
<p><b>Download Target</b></p> <ul style="list-style-type: none"> <li>RAM</li> <li>Flash</li> <li>Disk</li> </ul>	<p>Sets the storage location for downloads</p> <p><b>Notes:</b></p> <ul style="list-style-type: none"> <li>• RAM is the factory default setting.</li> <li>• Storing downloads in flash memory or on a printer hard disk places them in permanent storage. Downloads remain in flash memory or on the printer hard disk even when the printer is turned off.</li> <li>• Storing downloads in RAM is temporary.</li> <li>• This menu appears only if a flash and/or disk option is installed.</li> </ul>
<p><b>Job Accounting</b></p> <ul style="list-style-type: none"> <li>On</li> <li>Off</li> </ul>	<p>Specifies whether the printer stores statistical information about the most recent print jobs on the hard disk</p> <p><b>Notes:</b></p> <ul style="list-style-type: none"> <li>• Off is the factory default setting. Off means the printer does not store job statistics.</li> <li>• The statistics include a record of print errors, the print time, the job size in bytes, the requested paper size and type, the total number of printed pages, and the total number of copies requested.</li> <li>• Job Accounting is available only when a printer hard disk is installed and working properly. It should not be Read/Write or Write protected. Job Buffer Size should not be set to 100%.</li> <li>• Changing this setting from the printer control panel and then exiting the menus causes the printer to reset. The menu selection is updated.</li> </ul>

Menu item	Description
<b>Resource Save</b> On Off	<p>Specifies how the printer handles temporary downloads, such as fonts and macros stored in RAM, when the printer receives a job that requires more memory than is available</p> <p><b>Notes:</b></p> <ul style="list-style-type: none"> <li>• Off is the factory default setting. Off sets the printer to retain the downloads only until memory is needed. Downloads are deleted in order to process print jobs.</li> <li>• The On setting retains the downloads during language changes and printer resets. If the printer runs out of memory, <b>38 Memory Full</b> appears, and downloads are not deleted.</li> </ul>
<b>Print All Order</b> Alphabetically Newest First Oldest First	<p>Specifies the order in which held and confidential jobs are printed when Print All is selected</p> <p><b>Notes:</b></p> <ul style="list-style-type: none"> <li>• Alphabetically is the factory default setting.</li> <li>• Print jobs always appear in alphabetical order on the printer control panel.</li> </ul>

## Finishing menu

Menu item	Description
<b>Sides (Duplex)</b> 2 sided 1 sided	<p>Specifies whether duplex (2-sided) printing is set as the default for all print jobs</p> <p><b>Notes:</b></p> <ul style="list-style-type: none"> <li>• 1 sided is the factory default setting.</li> <li>• To set 2-sided printing from the software program: for Windows users, click <b>File &gt; Print</b>, and then click <b>Properties, Preferences, Options, or Setup</b>; for Macintosh users, choose <b>File &gt; Print</b>, and then adjust the settings from the Print dialog and pop-up menus.</li> </ul>
<b>Duplex Binding</b> Long Edge Short Edge	<p>Defines the way duplexed pages are bound and how the printing on the back of the page is oriented in relation to the printing on the front of the page</p> <p><b>Notes:</b></p> <ul style="list-style-type: none"> <li>• Long Edge is the factory default setting.</li> <li>• Long Edge specifies that binding be placed on the left edge of portrait pages and the top edge of landscape pages.</li> <li>• Short Edge specifies that binding be placed on the top edge of portrait pages and the left edge of landscape pages.</li> </ul>
<b>Copies</b> 1–999	<p>Specifies a default number of copies for each print job</p> <p><b>Note:</b> 1 is the factory default setting.</p>
<b>Blank Pages</b> Do Not Print Print	<p>Specifies whether blank pages are inserted in a print job</p> <p><b>Note:</b> Do Not Print is the factory default setting.</p>

Menu item	Description
<b>Collate</b> Off (1,1,1,2,2,2) On (1,2,1,2,1,2)	Stacks the pages of a print job in sequence when printing multiple copies <b>Notes:</b> <ul style="list-style-type: none"> <li>• Off is the factory default setting. No pages will be collated.</li> <li>• The On setting stacks the print job sequentially.</li> <li>• Both settings print the entire job the number of times specified by the Copies menu setting.</li> </ul>
<b>Separator Sheets</b> None Between Copies Between Jobs Between Pages	Specifies whether blank separator sheets are inserted <b>Notes:</b> <ul style="list-style-type: none"> <li>• None is the factory default setting.</li> <li>• Between Copies inserts a blank sheet between each copy of a print job if Collation is set to On. If Collation is set to Off, a blank page is inserted between each set of printed pages, such as after all page 1's and after all page 2's.</li> <li>• Between Jobs inserts a blank sheet between print jobs.</li> <li>• Between Pages inserts a blank sheet between each page of the print job. This setting is useful when printing transparencies or inserting blank pages in a document for notes.</li> </ul>
<b>Separator Source</b> Tray <x> Multi-Purpose Feeder Envelope Feeder	Specifies the paper source for separator sheets <b>Notes:</b> <ul style="list-style-type: none"> <li>• Tray 1 (standard tray) is the factory default setting.</li> <li>• From the Paper menu, Configure MP must be set to Cassette in order for Multi-Purpose Feeder to appear as a menu setting.</li> </ul>
<b>N-up (pages-side)</b> Off 2-Up 3-Up 4-Up 6-Up 9-Up 12-Up 16-Up	Specifies that multiple-page images be printed on one side of a sheet of paper <b>Notes:</b> <ul style="list-style-type: none"> <li>• Off is the factory default setting.</li> <li>• The number selected is the number of page images that will print per side.</li> </ul>
<b>N-up Ordering</b> Horizontal Reverse Horizontal Reverse Vertical Vertical	Specifies the positioning of multiple-page images when using N-up (pages-sides) <b>Notes:</b> <ul style="list-style-type: none"> <li>• Horizontal is the factory default setting.</li> <li>• Positioning depends on the number of images and whether the images are in portrait or landscape orientation.</li> </ul>
<b>Orientation</b> Auto Landscape Portrait	Specifies the orientation of a multiple-page sheet <b>Note:</b> Auto is the factory default setting. The printer chooses between portrait and landscape.

Menu item	Description
<b>N-up Border</b> None Solid	Prints a border around each page image when using N-up (pages-sides) <b>Note:</b> None is the factory default setting.
<b>Staple Job</b> Off On	Specifies whether print jobs are stapled <b>Notes:</b> <ul style="list-style-type: none"> <li>• This menu item is available only when the StapleSmart Finisher is installed.</li> <li>• Off is the factory default setting. Print jobs are not stapled.</li> <li>• Envelopes are not stapled.</li> </ul>
<b>Offset Pages</b> Off Between Jobs Between Copies	Stacks copies or print jobs into staggered sets in an output bin <b>Notes:</b> <ul style="list-style-type: none"> <li>• This menu item appears only when the StapleSmart Finisher is installed.</li> <li>• Off is the factory default setting. No pages are offset during the print job.</li> <li>• Between Jobs offsets each print job.</li> <li>• Between Copies offsets each copy of a print job.</li> </ul>

## Quality menu

Menu item	Description
<b>Print Resolution</b> 300 dpi 600 dpi 1200 dpi 1200 Image Q 2400 Image Q	Specifies the printed output resolution <b>Note:</b> 600 dpi is the factory default setting. The printer driver default is 1200 IQ.
<b>Pixel Boost</b> Off Fonts Horizontally Vertically Both Directions	Enhances the printed quality of small fonts and graphics <b>Notes:</b> <ul style="list-style-type: none"> <li>• Off is the factory default setting.</li> <li>• Fonts applies this setting only to text.</li> <li>• Horizontally darkens horizontal lines of text and images.</li> <li>• Vertically darkens vertical lines of text and images.</li> <li>• Both Directions darkens horizontal and vertical lines on text and images.</li> </ul>
<b>Toner Darkness</b> 1–10	Lightens or darkens the printed output <b>Notes:</b> <ul style="list-style-type: none"> <li>• 8 is the factory default setting.</li> <li>• Selecting a smaller number can help conserve toner.</li> </ul>

Menu item	Description
<b>Enhance Fine Lines</b> On Off	Enables a print mode preferable for files such as architectural drawings, maps, electrical circuit diagrams, and flow charts <b>Notes:</b> <ul style="list-style-type: none"> <li>• Off is the factory default setting.</li> <li>• To set Enhance Fine Lines using the Embedded Web Server, type the network printer IP address in a browser window.</li> </ul>
<b>Gray Correction</b> Auto Off	Adjusts the gray value of printed output <b>Note:</b> Auto is the factory default setting.
<b>Brightness</b> -6 to +6	Adjusts or darkens printed output and conserves toner <b>Notes:</b> <ul style="list-style-type: none"> <li>• 0 is the factory default setting.</li> <li>• A negative value will darken text, images, and graphics. A positive value will lighten them and conserve toner.</li> </ul>
<b>Contrast</b> 0–5	Adjusts the degree of difference between levels of gray in printed output <b>Notes:</b> <ul style="list-style-type: none"> <li>• 0 is the factory default setting.</li> <li>• Higher settings show more difference between levels of gray.</li> </ul>

## Utilities menu

Menu item	Description
<b>Remove Held Jobs</b> Confidential Held Not Restored All	Removes confidential and held jobs from the printer hard disk <b>Notes:</b> <ul style="list-style-type: none"> <li>• Selecting a setting affects only print jobs that are resident in the printer. Bookmarks, jobs on flash drives, and other types of held jobs are not affected.</li> <li>• Selecting Not Restored removes all Print and Hold jobs that were <i>not</i> restored from the disk.</li> </ul>
<b>Format Flash</b> Yes No	Formats the flash memory. Flash memory refers to the memory added by installing a flash memory option card in the printer. <b>Warning—Potential Damage:</b> Do not turn off the printer while the flash memory is formatting. <b>Notes:</b> <ul style="list-style-type: none"> <li>• A flash memory option card must be installed in the printer and operating properly for this menu item to be available. The flash memory option card must not be Read/Write or Write protected.</li> <li>• Selecting Yes deletes all data stored in flash memory.</li> <li>• No cancels the format request.</li> </ul>

Menu item	Description
<b>Delete Downloads on Disk</b> Delete Now Do Not Delete	Removes downloads from the printer hard disk, including all held Jobs, buffered jobs, and parked jobs. Job accounting information is not affected. <b>Note:</b> Delete Now is the default setting.
<b>Job Acct Stat</b> Print Clear	Prints a list of all stored job statistics or deletes the information from the printer hard disk <b>Notes:</b> <ul style="list-style-type: none"> <li>• A printer hard disk must be installed in the printer and operating properly for this menu item to be available.</li> <li>• Selecting Print prints a list of statistics.</li> <li>• Clear deletes all job statistics stored on the printer hard disk.</li> <li>• The Clear selection will not appear if Job Accounting is set to MarkTrack™ using NPA.</li> </ul>
<b>Hex Trace</b> Activate	Assists in isolating the source of a print job problem <b>Notes:</b> <ul style="list-style-type: none"> <li>• When Activate is selected, all data sent to the printer is printed in hexadecimal and character representation and control codes are not executed.</li> <li>• To exit or deactivate Hex Trace, turn the printer off or reset the printer.</li> </ul>
<b>Coverage Estimator</b> Off On	Provides an estimate of the percentage coverage of black on a page. The estimate is printed on a separate page at the end of each print job. <b>Note:</b> Off is the factory default setting.
<b>LCD Contrast</b> 1–10	Adjusts the contrast lighting of the display <b>Notes:</b> <ul style="list-style-type: none"> <li>• 5 is the factory default setting.</li> <li>• A higher setting makes the display appear lighter.</li> <li>• A lower setting makes the display appear darker.</li> </ul>
<b>LCD Brightness</b> 1–10	Adjusts the brightness of the backlight on the display <b>Notes:</b> <ul style="list-style-type: none"> <li>• 5 is the factory default setting.</li> <li>• A higher setting makes the display appear lighter.</li> <li>• A lower setting makes the display appear darker.</li> </ul>

## PDF menu

Menu item	Description
<b>Scale to Fit</b> Yes No	Scales page content to fit the selected paper size <b>Note:</b> No is the factory default setting.

Menu item	Description
<b>Annotations</b> Do Not Print Print	Prints annotations in a PDF <b>Note:</b> Do Not Print is the factory default setting.

## PostScript menu

Menu item	Description
<b>Print PS Error</b> On Off	Prints a page containing the PostScript error <b>Note:</b> Off is the factory default setting.
<b>Font Priority</b> Resident Flash/Disk	Establishes the font search order <b>Notes:</b> <ul style="list-style-type: none"> <li>Resident is the factory default setting.</li> <li>A formatted flash memory option card or printer hard disk must be installed in the printer and operating properly for this menu item to be available.</li> <li>The flash memory option or printer hard disk cannot be Read/Write, Write, or password protected.</li> <li>Job Buffer Size must not be set to 100%.</li> </ul>

## PCL Emul menu

Menu item	Description
<b>Font Source</b> Resident Disk Download Flash All	Specifies the set of fonts used by the Font Name menu item <b>Notes:</b> <ul style="list-style-type: none"> <li>Resident is the factory default setting. It shows the factory default set of fonts downloaded into printer RAM.</li> <li>Flash and Disk settings appear only if applicable and show all fonts resident in that option.</li> <li>Flash and Disk options must be properly formatted and cannot be Read/Write, Write, or password protected.</li> <li>Download appears only if applicable and shows all the fonts downloaded into printer RAM.</li> <li>All shows all fonts available to any option.</li> </ul>
<b>Font Name</b> <list of available fonts>	Identifies a specific font and the option where it is stored <b>Notes:</b> <ul style="list-style-type: none"> <li>Courier 10 is the factory default setting.</li> <li>The font source abbreviation is R for Resident, F for Flash, K for Disk, and D for download.</li> </ul>

Menu item	Description
<b>Symbol Set</b> 10U PC-8 12U PC-850	Specifies the symbol set for each font name  <b>Notes:</b> <ul style="list-style-type: none"> <li>• 10U PC-8 is the US factory default setting.</li> <li>• 12U PC-850 is the international factory default setting.</li> <li>• A symbol set is a set of alphabetic and numeric characters, punctuation, and special symbols. Symbol sets support the different languages or specific programs such as math symbols for scientific text. Only the supported symbol sets are shown.</li> </ul>
<b>PCL Emulation Settings</b> Pitch 0.08–100	Specifies the font pitch for scalable monospaced fonts  <b>Notes:</b> <ul style="list-style-type: none"> <li>• 10 is the factory default setting.</li> <li>• Pitch refers to the number of fixed-space characters per inch (cpi).</li> <li>• Pitch can be increased or decreased in 0.01-cpi increments.</li> <li>• For nonscalable monospaced fonts, the pitch appears on the display but cannot be changed.</li> </ul>
<b>PCL Emulation Settings</b> Orientation Portrait Landscape	Specifies the orientation of text and graphics on the page  <b>Notes:</b> <ul style="list-style-type: none"> <li>• Portrait is the factory default setting.</li> <li>• Portrait prints text and graphics parallel to the short edge of the page.</li> <li>• Landscape prints text and graphics parallel to the long edge of the page.</li> </ul>
<b>PCL Emulation Settings</b> Lines per Page 1–255	Specifies the number of lines that print on each page  <b>Notes:</b> <ul style="list-style-type: none"> <li>• 60 is the US factory default setting. 64 is the international default setting.</li> <li>• The printer sets the amount of space between each line based on the Lines per Page, Paper Size, and Orientation settings. Select the desired Paper Size and Orientation <i>before</i> setting Lines per Page.</li> </ul>
<b>PCL Emulation Settings</b> A4 Width 198 mm 203 mm	Sets the printer to print on A4-size paper  <b>Notes:</b> <ul style="list-style-type: none"> <li>• 198 mm is the factory default setting.</li> <li>• The 203-mm setting sets the width of the page to allow the printing of eighty 10-pitch characters.</li> </ul>
<b>PCL Emulation Settings</b> Auto CR after LF On Off	Specifies whether the printer automatically performs a carriage return after a line feed control command  <b>Note:</b> Off is the factory default setting.
<b>PCL Emulation Settings</b> Auto LF after CR On Off	Specifies whether the printer automatically performs a line feed after a carriage return control command  <b>Note:</b> Off is the factory default setting.



Menu item	Description
<p><b>Tray Renumber</b></p> <p>Assign MP Feeder</p> <p>Off</p> <p>None</p> <p>0–199</p> <p>Assign Tray &lt;x&gt;</p> <p>Off</p> <p>None</p> <p>0–199</p> <p>Assign Manual Paper</p> <p>Off</p> <p>None</p> <p>0–199</p> <p>Assign Man Env</p> <p>Off</p> <p>None</p> <p>0–199</p>	<p>Configures the printer to work with printer software or programs that use different source assignments for trays, drawers, and feeders</p> <p><b>Notes:</b></p> <ul style="list-style-type: none"> <li>• Off is the factory default setting.</li> <li>• None is not an available selection. It appears only when it is selected by the PCL 5 interpreter.</li> <li>• None ignores the Select Paper Feed command.</li> <li>• 0–199 allows a custom setting to be assigned.</li> </ul>
<p><b>Tray Renumber</b></p> <p>View Factory Def</p> <p>MPF Default = 8</p> <p>T1 Default = 1</p> <p>T2 Default = 4</p> <p>T3 Default = 5</p> <p>T4 Default = 20</p> <p>T5 Default = 21</p> <p>Env Default = 6</p> <p>MPaper Default = 2</p> <p>MEnv Default = 3</p>	<p>Lets you view the factory default setting assigned to each tray, drawer, or feeder, even if it has not been installed</p>
<p><b>Tray Renumber</b></p> <p>Restore Defaults</p> <p>Yes</p> <p>No</p>	<p>Returns all tray, drawer, and feeder assignments to the factory default settings</p>

## HTML menu

Menu item		Description
<b>Font Name</b> Albertus MT Antique Olive Apple Chancery Arial MT Avant Garde Bodoni Bookman Chicago Clarendon Cooper Black Copperplate Coronet Courier Eurostile Garamond Geneva Gill Sans Goudy Helvetica Hoefler Text	Intl CG Times Intl Courier Intl Univers Joanna MT Letter Gothic Lubalin Gothic Marigold MonaLisa Recut Monaco New CenturySbk New York Optima Oxford Palatino StempelGaramond Taffy Times TimesNewRoman Univers Zapf Chancery	Sets the default font for HTML documents  <b>Notes:</b> <ul style="list-style-type: none"> <li>• The Times font will be used in HTML documents that do not specify a font.</li> <li>• The following fonts appear only if the appropriate DBCS font card is installed: HG-GothicB, MSung-Light, MD_DotumChe, and MingMT-Light.</li> </ul>

Menu item		Description
<b>Font Size</b> 1–255 pt		Sets the default font size for HTML documents  <b>Notes:</b> <ul style="list-style-type: none"> <li>• 12 pt is the factory default setting.</li> <li>• Font size can be increased in 1-point increments.</li> </ul>
<b>Scale</b> 1–400%		Scales the default font for HTML documents  <b>Notes:</b> <ul style="list-style-type: none"> <li>• 100% is the factory default setting.</li> <li>• Scaling can be increased in 1% increments.</li> </ul>
<b>Orientation</b> Portrait Landscape		Sets the page orientation for HTML documents  <b>Note:</b> Portrait is the factory default setting.
<b>Margin Size</b> 8–255 mm		Sets the page margin for HTML documents  <b>Notes:</b> <ul style="list-style-type: none"> <li>• 19 mm is the factory default setting.</li> <li>• Margin size can be increased in 1-mm increments.</li> </ul>

Menu item	Description
<b>Backgrounds</b> Do Not Print Print	Specifies whether to print backgrounds on HTML documents <b>Note:</b> Print is the factory default setting.

## Image menu

Menu item	Description
<b>Auto Fit</b> On Off	Selects the optimal paper size, scaling, and orientation <b>Notes:</b> <ul style="list-style-type: none"> <li>• On is the factory default setting.</li> <li>• The On setting overrides scaling and orientation settings for some images.</li> </ul>
<b>Invert</b> On Off	Inverts bi-tonal monochrome images <b>Notes:</b> <ul style="list-style-type: none"> <li>• Off is the factory default setting.</li> <li>• The font size can be increased in 1-point increments.</li> <li>• This setting does not apply to GIF or JPEG images.</li> </ul>
<b>Scaling</b> Anchor Top Left Best Fit Anchor Center Fit Height/Width Fit Height Fit Width	Scales the image to fit the selected paper size <b>Notes:</b> <ul style="list-style-type: none"> <li>• Best Fit is the factory default setting.</li> <li>• When Auto Fit is set to On, Scaling is automatically set to Best Fit.</li> </ul>
<b>Orientation</b> Portrait Landscape Rev Portrait Rev Landscape	Sets the image orientation <b>Note:</b> Portrait is the factory default setting.

## XPS menu

Menu item	Description
<b>Print Error Pages</b> Off On	Prints a page containing information on errors, including XML markup errors <b>Note:</b> Off is the factory default setting.

## Booklet Adjustments menu

The Booklet Adjustments menu is available if a booklet finisher is installed. You can select various adjustments from this menu when printing booklets.

To access the Booklet Adjustments menu:

- 1 Turn the printer off.
- 2 Hold down **2** ASO and **6** MNO while turning the printer on.
- 3 Release the buttons when the screen with the progress bar appears.  
The printer performs a power-on sequence, and then the **Configuration Menu** appears.
- 4 Touch the down arrow until **Booklet Adjustments** appears.
- 5 Touch **Booklet Adjustments**.

Menu item	Description
<b>Size of paper</b> A4 A5 Letter Legal Executive Oficio Folio Statement Universal A3 Tabloid JIS B4	Specifies the paper size <b>Note:</b> This setting defaults to the Tray 1 Size value.
<b>Total number of sheets</b> 1-2 sheets 3 sheets 4 sheets 5-7 sheets 8-15 sheets	Specifies the total number of sheets in a booklet <b>Note:</b> The factory default setting is 1-2 sheets.
<b>Adjust for folding overlap</b> Top overlap Bottom overlap	Select top or bottom overlap based on printed output
<b>Adjust for skew during booklet making</b> Clockwise skew Counter-clockwise skew	Select skew direction based on printed output

## Help menu

The Help menu consists of Help pages that are stored in the printer as PDFs. They contain reference information about using the printer and performing tasks. You may select to print each one individually, or select **Print all guides** to print all of them at one time.


English, French, German, and Spanish translations are stored in the printer. Other translations are available on the *Software and Documentation* CD.

Menu item	Description
Print all guides	Prints all the guides
Copy guide	Provides information about making copies and changing settings
E-mail guide	Provides information about sending e-mails using addresses, shortcut numbers, or the address book, and changing settings
Fax guide	Provides information about sending faxes using fax numbers, shortcut numbers, or the address book, and changing settings
FTP guide	Provides information about scanning documents directly to an FTP server using an FTP address, shortcut numbers, or the address book, and changing settings
Information guide	Provides help in locating additional information
Print defects guide	Provides help in resolving repeating defects in copies or prints
Supplies guide	Provides part numbers for ordering supplies

# Maintaining the printer

## Cleaning the exterior of the printer

- 1 Make sure that the printer is turned off and unplugged from the wall outlet.

 **CAUTION—SHOCK HAZARD:** To avoid the risk of electric shock when cleaning the exterior of the printer, unplug the power cord from the wall outlet and disconnect all cables to the printer before proceeding.

- 2 Remove paper from the standard exit bin.

- 3 Dampen a clean, lint-free cloth with water.

**Warning—Potential Damage:** Do not use household cleaners or detergents, as they may damage the finish of the printer.

- 4 Wipe only the outside of the printer, making sure to include the standard exit bin.

**Warning—Potential Damage:** Using a damp cloth to clean the interior may cause damage to your printer.

- 5 Make sure the standard exit bin is dry before beginning a new print job.

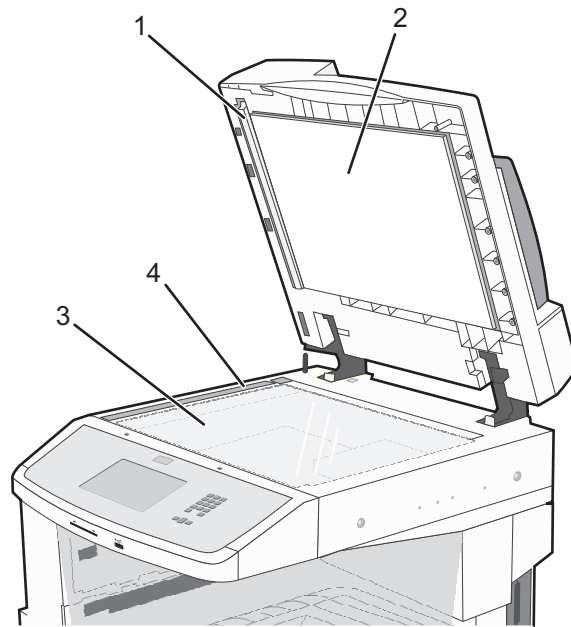
**Note:** A cleaning kit consisting of wipes for the touch screen and scanner glass is available:

Part name	Part number
Cleaning kit (wet and dry wipes)	40X0392

## Cleaning the scanner glass

Clean the scanner glass if you encounter print quality problems, such as streaks on copied or scanned images.

- 1 Slightly dampen a soft, lint-free cloth or paper towel with water.
- 2 Open the scanner cover.



1	White underside of the ADF cover
2	White underside of the scanner cover
3	Scanner glass
4	ADF glass

- 3 Wipe the areas shown and let them dry.
- 4 Close the scanner cover.

## Adjusting scanner registration

Scanner Registration is a process to align the scan area with the paper location. To manually adjust the scanner registration:

- 1 Turn the printer off.
- 2 Clean the scanner glass and backing material.
- 3 Hold down **3** and **6 MND** until the progress bar appears.
- 4 Release the buttons.  
The printer performs a power-on sequence, and then the Diagnostic menu appears.
- 5 Touch the up or down arrow until **Scanner Test** appears.
- 6 Touch **Scanner Test**.

- 7 Touch the up or down arrow until **Scanner Manual Registration** appears.
- 8 Touch **Scanner Manual Registration**.
- 9 Touch the left and right arrows to change the settings.
- 10 Touch **Submit**.

## Storing supplies

Choose a cool, clean storage area for the printer supplies. Store supplies right side up in their original packing until you are ready to use them.

Do not expose supplies to:

- Direct sunlight
- Temperatures above 35°C (95°F)
- High humidity above 80%
- Salty air
- Corrosive gases
- Heavy dust

## Conserving supplies

There are some settings you can change from the printer control panel that will help you conserve toner and paper.

If you need to print several copies, you can conserve supplies by printing the first copy and checking it for accuracy before printing the remaining copies.

## Checking the status of supplies

A message appears on the display when a replacement supply item is needed or when maintenance is required.

### Checking the status of supplies from the printer control panel

- 1 Make sure the printer is on and **Ready** appears.
- 2 On the home screen, touch **Status/Supplies**.

**Note:** If **Status/Supplies** is not on the home screen, then print a menu settings page to review the status of the supplies.

### Checking the status of supplies from a network computer

**Note:** The computer must be connected to the same network as the printer.



- 1 Type the printer IP address into the address field of your Web browser.

**Note:** If you do not know the IP address of the printer, print a network setup page and locate the IP address in the TCP/IP section.

- 2 Click **Device Status**. The Device Status page appears, displaying a summary of supply levels.

## Ordering supplies

To order parts and supplies in the U.S., contact Lexmark at 1-800-539-6275 for information about Lexmark authorized supplies dealers in your area. In other countries or regions, visit the Lexmark Web site at [www.lexmark.com](http://www.lexmark.com) or contact the place where you purchased the printer.

**Note:** All life estimates for printer supplies assume printing on letter- or A4-size plain paper.

## Ordering toner cartridges

### Recommended toner cartridge and part number

Part name	Part number	For printer(s)
High Yield Toner Cartridge	X860H21G	X860, X862, X864

## Ordering a photoconductor kit

When **Replace Photoconductor** message appears, order a new photoconductor kit.

Part name	Part number	For printer(s)
Photoconductor Kit	X860H22G	X860, X862, X864

## Ordering a maintenance kit

When **80 Routine maintenance needed** appears, order a maintenance kit. The maintenance kit contains all the items necessary to replace the pick rollers, the charge roll, the transfer roller, and the fuser.

**Note:** Using certain types of paper may require more frequent replacement of the maintenance kit. The pick rollers, charge roll, transfer roller, and fuser can also be individually ordered and replaced as necessary.

Part name	Part number	For printer(s)
Maintenance kit (low voltage)	40X2375	X860, X862, X864
Maintenance kit (high voltage)	40X2376	X860, X862, X864
Maintenance kit (100 volt)	40X2377	X860, X862, X864
Maintenance kit (for the ADF)	40X2734.	X860, X862, X864

## Ordering staple cartridges

When **Staples Low** or **Staples Empty** appears, order the specified staple cartridge.

For more information, see the illustrations inside the stapler door.

Part name	Part number
Staple Cartridges—3 pack	25A0013

## Ordering a cleaning kit

Use the wet and dry wipes from the cleaning kit to clean the scanner glass and touch screen.

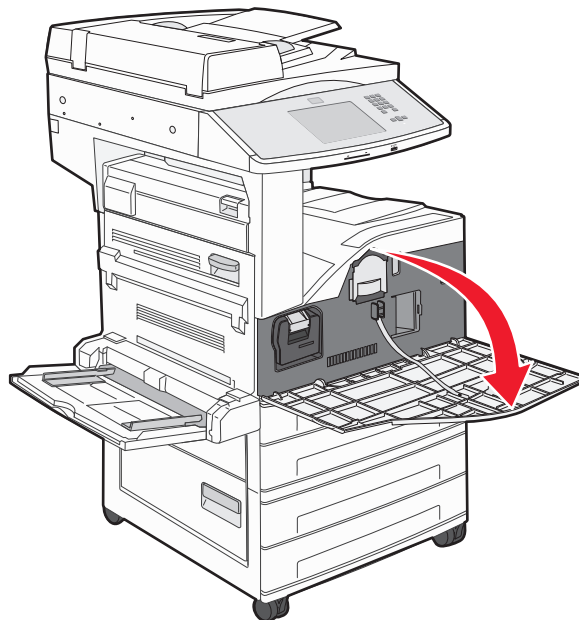
Part name	Part number
Cleaning kit (wet and dry wipes)	40X0392

## Replacing supplies

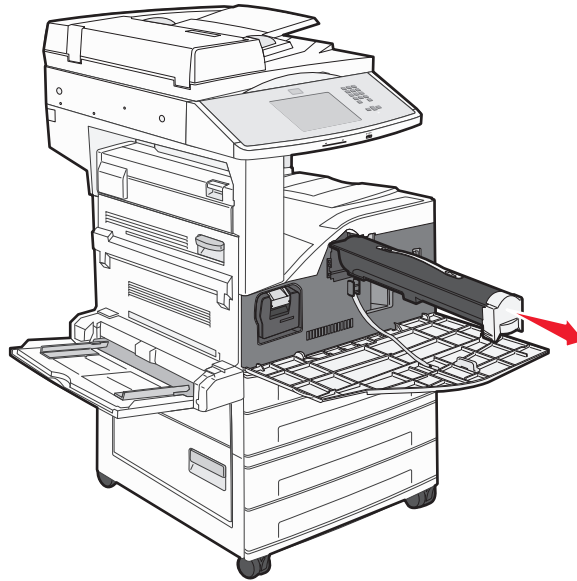
### Replacing the toner cartridge

When **88 Cartridge low**, **88.yy Replace cartridge**, or **88 Replace cartridge to continue** appears, or when print becomes faded:

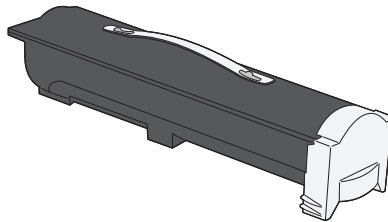
- 1 Turn the printer off.
- 2 Open the front door.



- 3 Grasp the handle and pull out the cartridge.

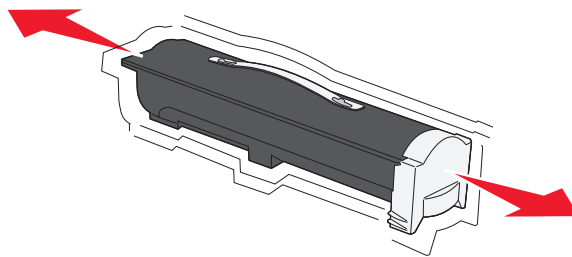


- 4 Unpack a new cartridge.

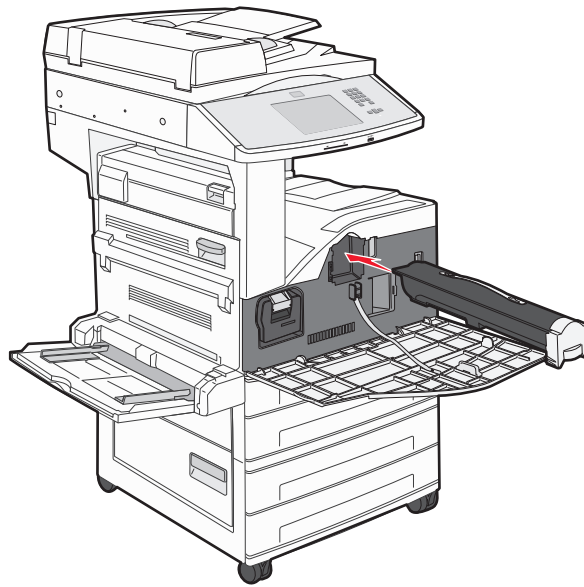


**Warning—Potential Damage:** When replacing a toner cartridge, do not leave the new cartridge exposed to direct light for an extended period of time. Extended light exposure can cause print quality problems.

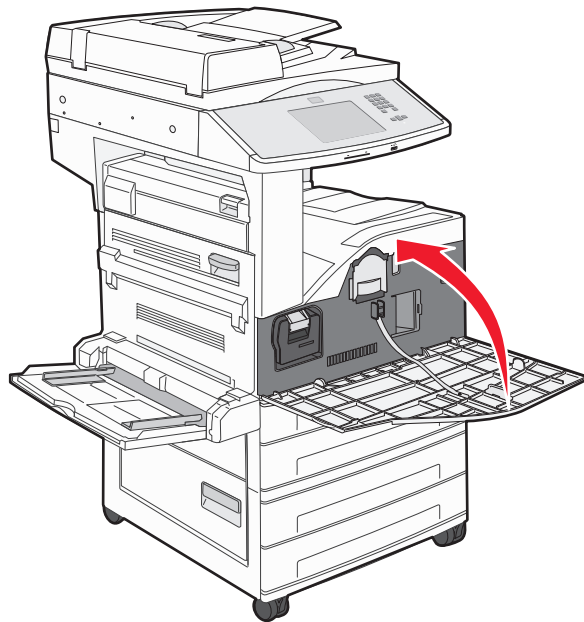
- 5 Firmly shake the cartridge side-to-side several times to redistribute the toner.



- 6** Insert the new cartridge into the printer. Push the toner cartridge in as far as it will go. The cartridge *clicks* into place when correctly installed.



- 7** Close the front door.

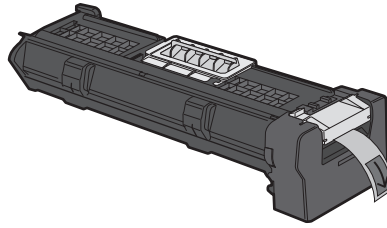


## Replacing the photoconductor

You can determine approximately how full the photoconductor is by printing the printer settings configuration sheet. This helps you decide when you might need to order replacement supplies.

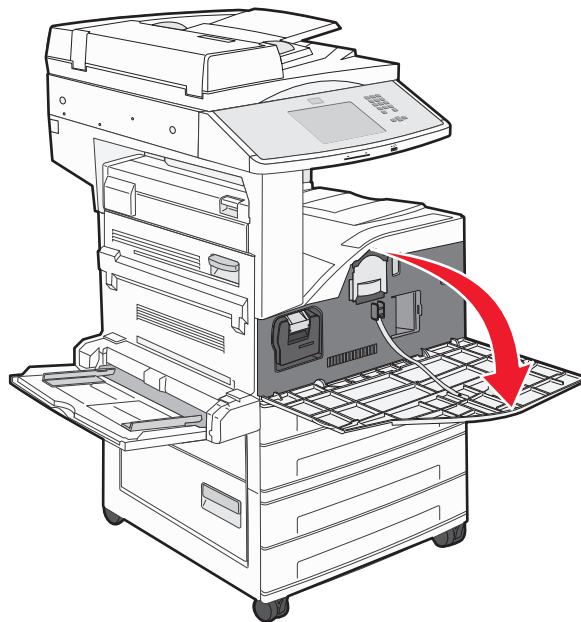
To ensure print quality and to avoid damage to the printer, the printer stops operating after the photoconductor has reached a maximum of 60,000 pages. The printer automatically notifies you before the photoconductor reaches this point.

When **84 Replace photoconductor** or **84 Photoconductor low** appears, order a new photoconductor immediately. While the printer may continue to function properly after the photoconductor has reached its official end-of-life, print quality significantly decreases.



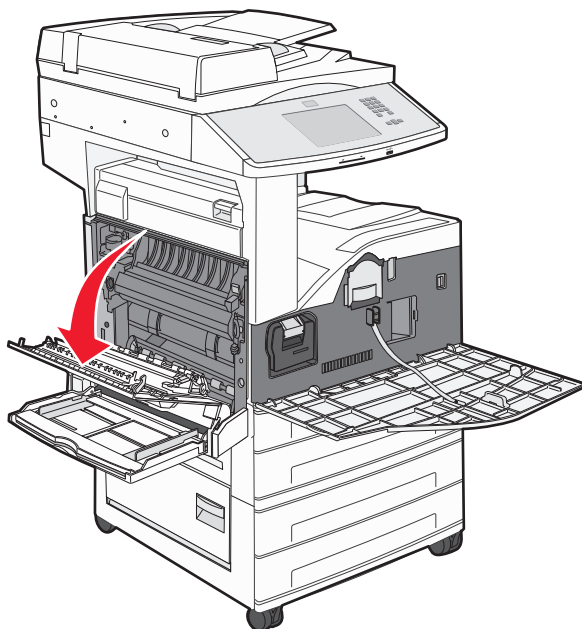
To replace the photoconductor:

- 1 Turn the printer off.
- 2 Open the front door.

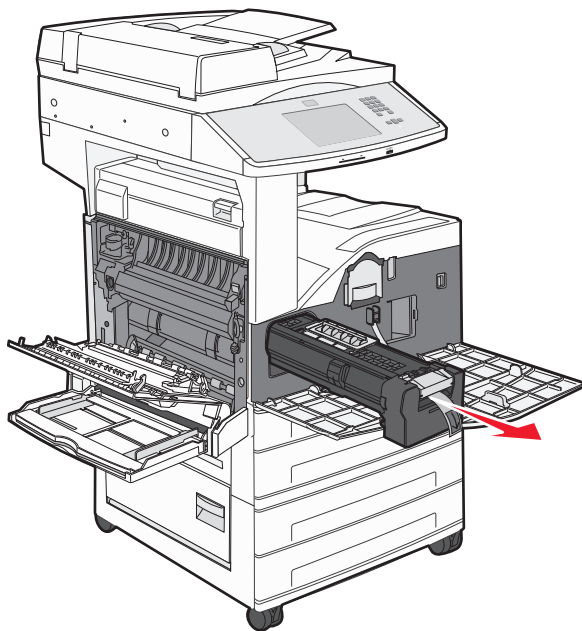


**Note:** The photoconductor cannot be pulled out if Side Door A is closed.

**3** Lower Side Door A.

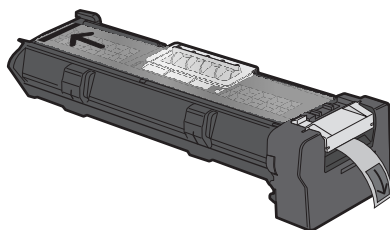


**4** Pull the photoconductor out of the printer.

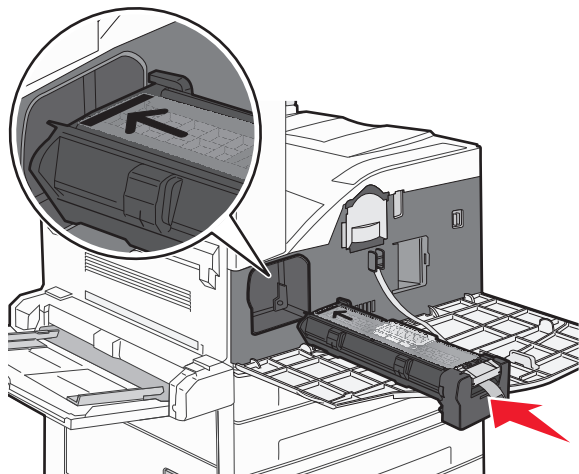


Place the photoconductor on a flat, clean surface.

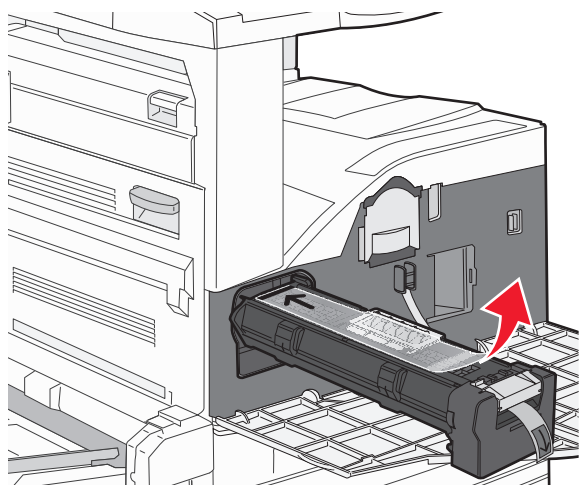
**5** Unpack the new photoconductor.



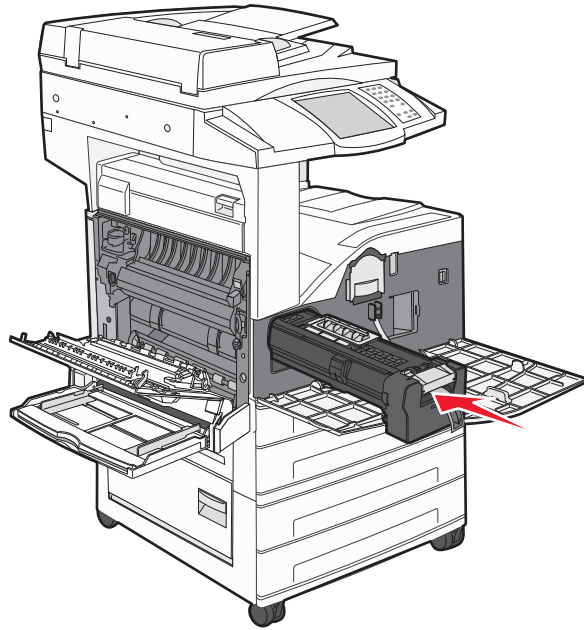
**6** Align and insert the end of the photoconductor.



**7** Remove the tape from the top of the photoconductor.

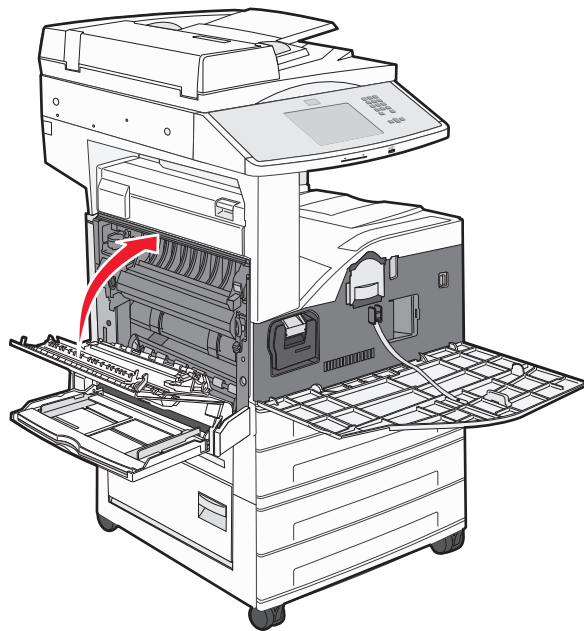


- 8** Push the photoconductor as far as it will go.



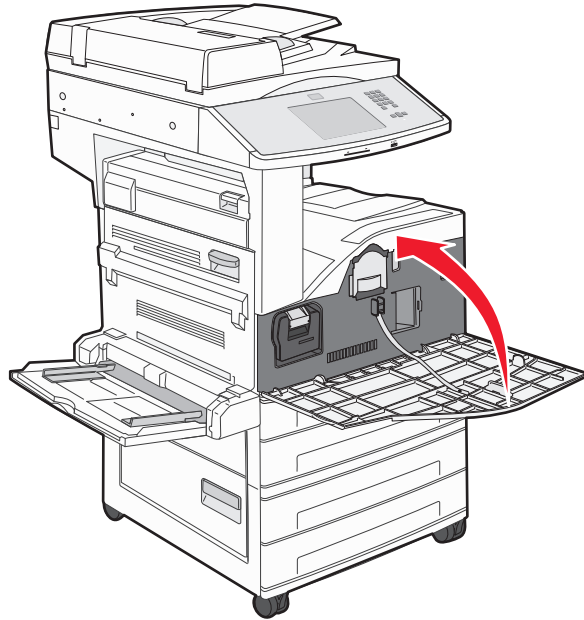
The photoconductor clicks into place when correctly installed.

- 9** Close Side Door A.





**10** Close the front door.



**Note:** After you insert the photoconductor and close all the doors, the printer performs a motor cycle and clears the Replace Photoconductor warnings.

The printer returns to the **Ready** state.

## Moving the printer

### Before moving the printer

**⚠ CAUTION—POTENTIAL INJURY:** The printer weighs more than 55 kg (121 lb), and requires at least four persons or a properly rated mechanical handling system to lift it safely.



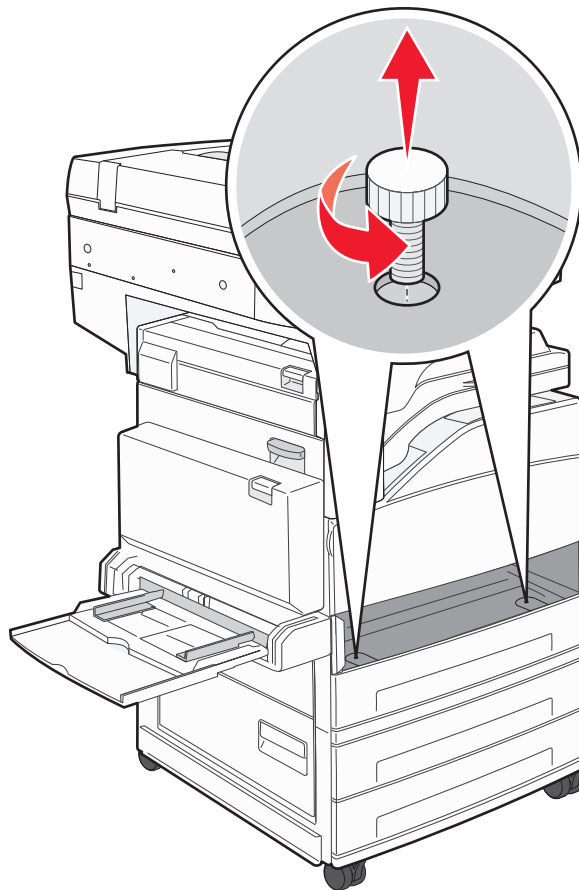
Follow these guidelines to avoid personal injury or printer damage:

- Use at least four people or a properly rated mechanical handling system to lift the printer.
- Turn off the printer using the power switch, and then unplug the power cord from the wall outlet.
- Disconnect all cords and cables from the printer before moving it.
- Remove all printer options before moving the printer.

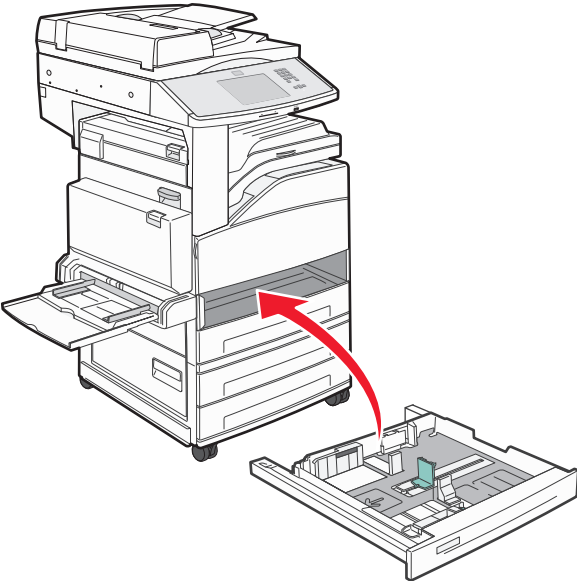
**Warning—Potential Damage:** Damage to the printer caused by improper moving is not covered by the printer warranty.

## Removing the optional trays

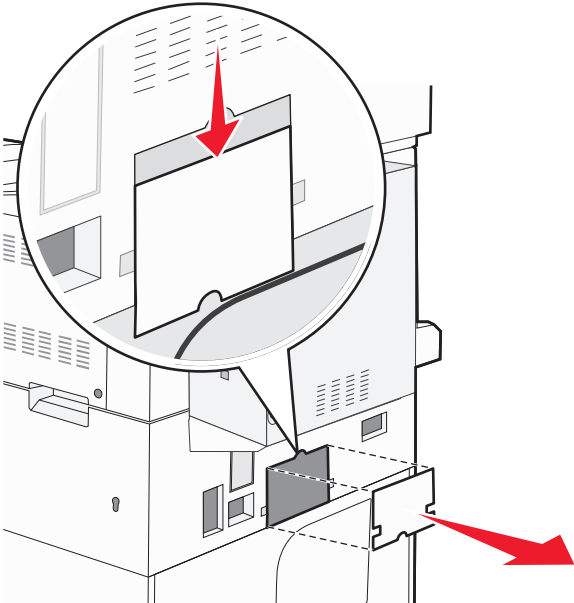
- 1 Remove the printer tray.
- 2 Remove the two thumbscrews and save them.



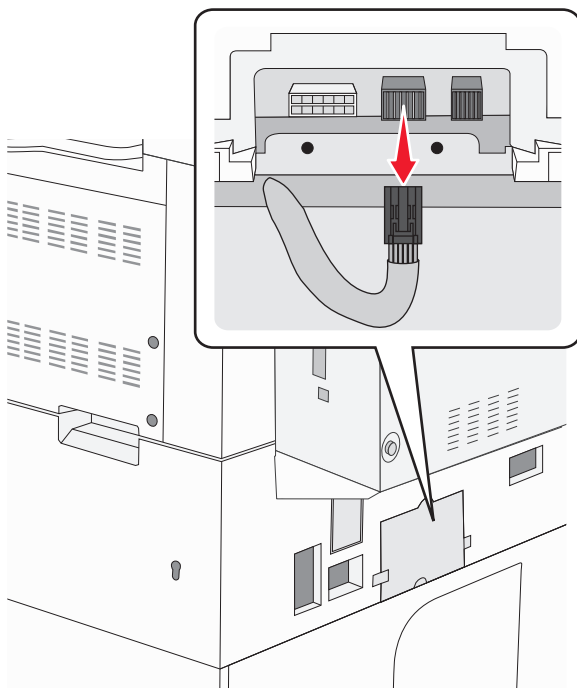
3 Place the tray into the printer.



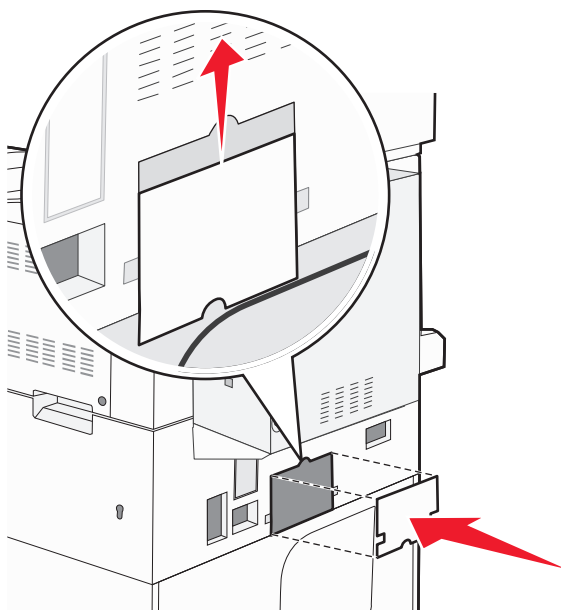
4 Remove the cable cover.



**5** Disconnect the optional drawer connector.



**6** Attach the cable cover.



**7** Lift the printer off the trays.

## Moving the printer to another location

The printer and options can be safely moved to another location by following these precautions:

- Any cart used to move the printer must have a surface able to support the full footprint of the printer. Any cart used to move the options must have a surface able to support the dimensions of the options.
- Keep the printer in an upright position.
- Avoid severe jarring movements.

## Shipping the printer

When shipping the printer, use the original packaging or call the place of purchase for a relocation kit.

# Administrative support

## Finding advanced networking and administrator information

This chapter covers basic administrative support tasks. For more advanced system support tasks, see the *Networking Guide* on the *Software and Documentation* CD and the *Embedded Web Server Administrator's Guide* on the Lexmark Web site at [www.lexmark.com](http://www.lexmark.com).

## Using the Embedded Web Server

If the printer is installed on a network, the Embedded Web Server is available for a range of functions including:

- Viewing a virtual display of the printer control panel
- Checking the status of the printer supplies
- Configuring printer settings
- Configuring network settings
- Viewing reports

To access the Embedded Web Server, type the printer IP address into the address field of your Web browser.

### Notes:

- If you do not know the IP address of the printer, then print a network setup page and locate the IP address in the TCP/IP section.
- For more information, see the *Networking Guide* on the *Software and Documentation* CD and the *Embedded Web Server Administrator's Guide* on the Lexmark Web site at [www.lexmark.com](http://www.lexmark.com).

## Checking the virtual display

When the Embedded Web Server is open, a virtual display appears in the top left corner of the screen. It works as an actual display would work on a printer control panel, showing printer messages.

To access the Embedded Web Server, type the printer IP address into the address field of your Web browser.

**Note:** If you do not know the IP address of the printer, then print a network setup page and locate the IP address in the TCP/IP section.

The virtual display appears in the top left corner of the screen.

## Checking the device status

Using the Embedded Web Server, you can view paper tray settings, the level of toner in the print cartridge, the percentage of life remaining in the maintenance kit, and capacity measurements of certain printer parts. To view the device status:

- 1 Type the printer IP address in the address field of your Web browser.

**Note:** If you do not know the IP address of the printer, then print a network setup page and locate the IP address in the TCP/IP section.

- 2 Click **Device Status**.

## Setting up e-mail alerts

You can have the printer send you an e-mail when the supplies are getting low or when the paper needs to be changed, added, or unjammed.

To set up e-mail alerts:

- 1 Type the printer IP address into the address field of your Web browser.

**Note:** If you do not know the IP address of the printer, then print a network setup page and locate the IP address in the TCP/IP section.

- 2 Click **Settings**.

- 3 Under Other Settings, click **E-mail Alert Setup**.

- 4 Select the items for notification, and type in the e-mail addresses.

- 5 Click **Submit**.

**Note:** See your system support person to set up the e-mail server.

## Viewing reports

You can view some reports from the Embedded Web Server. These reports are useful for assessing the status of the printer, the network, and supplies.

To view reports from a network printer:

- 1 Type the printer IP address into the address field of your Web browser.


**Note:** If you do not know the IP address of the printer, then print a network setup page and locate the IP address in the TCP/IP section.


- 2 Click **Reports**, and then click the type of report you want to view.

## Adjusting the brightness of the display

If you are having trouble reading your display, the LCD brightness can be adjusted through the Settings menu.

- 1 Make sure the printer is on and **Ready** appears.



- 2 On the home screen, touch .

- 3 Touch **Settings**.
- 4 Touch **General Settings**.
- 5 Touch the down arrow until **Screen Brightness** appears.
- 6 Touch the arrows to increase or decrease the brightness.  
Brightness settings can be adjusted from 20–100 (100 is the factory default setting).
- 7 Touch **Submit**.
- 8 Touch .

## Restoring the factory default settings

If you want to retain a list of the current menu settings for reference, then print a menu settings page before you restore the factory default settings. For more information, see “Printing a menu settings page” on page 37.

**Warning—Potential Damage:** Restoring factory defaults returns most printer settings to the original factory default setting. Exceptions include the display language, custom sizes and messages, and Network/Port menu settings. All downloads stored in RAM are deleted. Downloads stored in flash memory or on a printer hard disk are not affected.

- 1 Make sure the printer is on and **Ready** appears.
- 2 On the home screen, touch .
- 3 Touch **Settings**.
- 4 Touch **General Settings**.
- 5 Touch the down arrow until **Factory Defaults** appears.
- 6 Touch the left or right arrow until **Restore Now** appears.
- 7 Touch **Submit**.
- 8 Touch .



# Troubleshooting

## Solving basic problems

### Solving basic printer problems

If there are basic printer problems, or the printer is unresponsive, make sure:

- The power cord is plugged into the printer and a properly grounded electrical outlet.
- The electrical outlet is not turned off by any switch or breaker.
- The printer is not plugged into any surge protectors, uninterrupted power supplies, or extension cords.
- Other electronic equipment plugged into the outlet is working.
- The printer is turned on. Check the printer power switch.
- The printer cable is securely attached to the printer and the host computer, print server, option, or other network device.
- All options are properly installed.
- The printer driver settings are correct.

Once you have checked each of these possibilities, turn the printer off, wait for about 10 seconds, and then turn the printer back on. This often fixes the problem.

### Printer control panel display is blank or displays only diamonds

The printer self test failed. Turn the printer off, wait about 10 seconds, and then turn the printer back on.

If the clock graphic and **Ready** do not appear, then turn the printer off and contact Customer Support.

### Embedded Web Server does not open

These are possible solutions. Try one or more of the following:

#### CHECK THE NETWORK CONNECTIONS

Make sure the printer and computer are turned on and connected to the same network.

#### CHECK THE NETWORK SETTINGS

Depending on the network settings, you may need to type `https://` instead of `http://` before the printer IP address to access the Embedded Web Server. For more information, see your system administrator.

## Understanding printer messages

### An error has occurred with the Flash Drive. Please remove and re-insert the drive.

Try one or more of the following:

- Remove and reinsert the flash drive.
- If the error message remains, the flash memory may be defective and require replacing.

### Change <input src> to <Custom Type Name>

You can change the current paper source for the remainder of the print job. The formatted page will print on the paper loaded in the selected tray. This may cause clipping of text or images. Try one or more of the following:

- Select the paper tray with the correct paper size or type.
- Touch **Use current [src]** to ignore the message and print from the tray selected for the print job.
- Touch **Continue** to continue the job if the correct size and type are loaded in the tray, and this size and type are specified in the printer control panel Paper menu.

**Note:** If you touch Continue when there is no paper in the tray, the job is not continued.

- Touch **Cancel job** to cancel the current job.

### Change <input src> to <Custom Type Name> load <orientation>

You can change the current paper source for the remainder of the print job. The formatted page will print on the paper loaded in the selected tray. This may cause clipping of text or images. Try one or more of the following:

- Select the paper tray with the correct paper size or type.
- Touch **Use current [src]** to ignore the message and print from the tray selected for the print job.
- Touch **Continue** to continue the job if the correct size and type are loaded in the tray, and this size and type are specified in the printer control panel Paper menu.

**Note:** If you touch Continue when there is no paper in the tray, the job is not continued.

- Touch **Cancel job** to cancel the current job.

### Change <input src> to <Custom String>

You can change the current paper source for the remainder of the print job. The formatted page will print on the paper loaded in the selected tray. This may cause clipping of text or images. Try one or more of the following:

- Select the paper tray with the correct paper size or type.
- Touch **Use current [src]** to ignore the message and print from the tray selected for the print job.
- Touch **Continue** to continue the job if the correct size and type are loaded in the tray, and this size and type are specified in the printer control panel Paper menu.

**Note:** If you touch Continue when there is no paper in the tray, the job is not continued.

- Touch **Cancel job** to cancel the current job.

## Change <input src> to <Custom String> load <orientation>

You can change the current paper source for the remainder of the print job. The formatted page will print on the paper loaded in the selected tray. This may cause clipping of text or images. Try one or more of the following:

- Select the paper tray with the correct paper size or type.
- Touch **Use current [src]** to ignore the message and print from the tray selected for the print job.
- Touch **Continue** to continue the job if the correct size and type are loaded in the tray, and this size and type are specified in the printer control panel Paper menu.

**Note:** If you touch Continue when there is no paper in the tray, the job is not continued.

- Touch **Cancel job** to cancel the current job.

## Change <input src> to <size>

You can change the current paper source for the remainder of the print job. The formatted page will print on the paper loaded in the selected tray. This may cause clipping of text or images. Try one or more of the following:

- Select the paper tray with the correct paper size or type.
- Touch **Use current [src]** to ignore the message and print from the tray selected for the print job.
- Touch **Continue** to continue the job if the correct size and type are loaded in the tray, and this size and type are specified in the printer control panel Paper menu.

**Note:** If you touch Continue when there is no paper in the tray, the job is not continued.

- Touch **Cancel job** to cancel the current job.

## Change <input src> to <size> load <orientation>

You can change the current paper source for the remainder of the print job. The formatted page will print on the paper loaded in the selected tray. This may cause clipping of text or images. Try one or more of the following:

- Select the paper tray with the correct paper size or type.
- Touch **Use current [src]** to ignore the message and print from the tray selected for the print job.
- Touch **Continue** to continue the job if the correct size and type are loaded in the tray, and this size and type are specified in the printer control panel Paper menu.

**Note:** If you touch Continue when there is no paper in the tray, the job is not continued.

- Touch **Cancel job** to cancel the current job.

## Change <input src> to <type> <size>

You can change the current paper source for the remainder of the print job. The formatted page will print on the paper loaded in the selected tray. This may cause clipping of text or images. Try one or more of the following:

- Select the paper tray with the correct paper size or type.
- Touch **Use current [src]** to ignore the message and print from the tray selected for the print job.
- Touch **Continue** to continue the job if the correct size and type are loaded in the tray, and this size and type are specified in the printer control panel Paper menu.

**Note:** If you touch Continue when there is no paper in the tray, the job is not continued.

- Touch **Cancel job** to cancel the current job.

## Change <input src> to <type> <size> load <orientation>

You can change the current paper source for the remainder of the print job. The formatted page will print on the paper loaded in the selected tray. This may cause clipping of text or images. Try one or more of the following:

- Select the paper tray with the correct paper size or type.
- Touch **Use current [src]** to ignore the message and print from the tray selected for the print job.
- Touch **Continue** to continue the job if the correct size and type are loaded in the tray, and this size and type are specified in the printer control panel Paper menu.

**Note:** If you touch Continue when there is no paper in the tray, the job is not continued.

- Touch **Cancel job** to cancel the current job.

## Check <input src> guides

The <input src> refers to the multipurpose feeder. The printer cannot determine the size of the paper.

Try one or more of the following:

- Readjust the paper guides.
- Check the tray configuration.

## Check <input src> orientation or guides

The printer does not know the actual paper size that is loaded in a tray due to an incorrect paper orientation setting, or because tray guides are not in the proper location.

Try one or more of the following:

- Move the guides in the tray to the correct positions for the paper size loaded.
- Make sure the paper size setting matches the paper loaded in the tray:
  - 1 From the printer control panel Paper menu, check the Paper Size setting.
  - 2 Before sending the job to print, specify the correct size setting:
    - For Windows users, specify the size from Print Properties.
    - For Macintosh users, specify the size from the Page Setup dialog.

## Close door <x>

Close the specified door.

## Close cover <x>

Close the specified cover to clear the message.

## Close surface H

Close the specified cover to clear the message.

## Disk corrupted

The printer attempted a hard disk recovery on a corrupted hard disk, and the hard disk cannot be repaired. The hard disk must be reformatted.

Touch **Reformat disk** to reformat the hard disk and clear the message.

**Note:** Reformatting the disk deletes all the files currently stored on the disk.

## Empty the hole punch box

Empty the hole punch box, and then reinsert it into the finisher. Wait for the message to clear.

## Weblink server not set up. Contact system administrator.

An error occurred on the Weblink server, or the server is not configured properly. Touch **Continue** to clear the message. If the message appears again, contact your system support person.

## Disk Full - Scan Job Canceled

The scan job canceled or stopped due to insufficient printer hard disk space.

Touch **Continue** to clear the message.

## Fax memory full

There is not enough memory to send the fax job.

Touch **Continue** to clear the message.

## Fax server 'To Format' not set up. Contact system administrator.

The printer is in Fax Server mode, but the Fax Server setup has not been completed.

Try one or more of the following:

- Touch **Continue** to clear the message.
- Complete the Fax Server setup. If the message appears again, contact your system support person.

## Fax Station Name not set up

The Fax Station Name has not been entered. Sending and receiving faxes is disabled until fax is configured properly.

Try one or more of the following:

- Touch **Continue** to clear the message.
- Complete the Analog Fax Setup. If the message appears again, contact your system support person.

## Fax Station Number not set up

The Fax Station Number has not been entered. Sending and receiving faxes is disabled until fax is configured properly.

Try one or more of the following:

- Touch **Continue** to clear the message.
- Complete the Analog Fax Setup. If the message appears again, contact your system support person.

## Insert Tray <x>

Insert the specified tray into the printer.

## Load <src> with <x>

<src> is a tray or feeder, and <x> is a paper type or size.

Try one or more of the following:

- Load the specified paper in the tray.
- Touch **Continue** to clear the message and continue printing.  
If the printer finds a tray that has the correct paper type and size, it feeds from that tray. If the printer cannot find a tray with the correct paper type and size, it prints from the default source.
- Cancel the current job.

## Load <input src> with <Custom Type Name>

Try one or more of the following:

- Load the specified paper in the tray.
- Touch **Continue** to clear the message and continue printing.  
If the printer finds a tray that has the correct paper type and size, it feeds from that tray. If the printer cannot find a tray with the correct paper type and size, it prints from the default source.
- Cancel the current job.

## Load <input src> with <Custom String>

Try one or more of the following:

- Load the specified paper in the tray.
- Touch **Continue** to clear the message and continue printing.  
If the printer finds a tray that has the correct paper type and size, it feeds from that tray. If the printer cannot find a tray with the correct paper type and size, it prints from the default source.
- Cancel the current job.

## Load <input src> with <type> <size>

Try one or more of the following:

- Load the specified paper in the tray.
- Touch **Continue** to clear the message and continue printing.  
If the printer finds a tray that has the correct paper type and size, it feeds from that tray. If the printer cannot find a tray with the correct paper type and size, it prints from the default source.

- Cancel the current job.

## Load <input src> with <size>

Try one or more of the following:

- Load the specified paper in the tray.
- Touch **Continue** to clear the message and continue printing.

If the printer finds a tray that has the correct paper type and size, it feeds from that tray. If the printer cannot find a tray with the correct paper type and size, it prints from the default source.

- Cancel the current job.

## Load manual feeder with <x>

<x> is a paper type or size.

Try one or more of the following:

- Load the specified paper in the multipurpose feeder.
- Touch **Continue** to clear the message and continue printing.

If the printer finds a tray that has the correct paper type and size, then it feeds from that tray. If the printer cannot find a tray with the correct paper type and size, then it prints from the default source.

- Cancel the current job.

## Load Manual Feeder with <Custom Type Name>

Try one or more of the following:

- Load the specified paper in the multipurpose feeder.
- Touch **Continue** to clear the message and continue printing.

If the printer finds a tray that has the correct paper type and size, then it feeds from that tray. If the printer cannot find a tray with the correct paper type and size, then it prints from the default source.

- Cancel the current job.

## Load Manual Feeder with <Custom String>

Try one or more of the following:

- Load the specified paper in the multipurpose feeder.
- Touch **Continue** to clear the message and continue printing.

If the printer finds a tray that has the correct paper type and size, then it feeds from that tray. If the printer cannot find a tray with the correct paper type and size, then it prints from the default source.

- Cancel the current job.

## Load Manual Feeder with <size>

Try one or more of the following:

- Load the specified paper in the multipurpose feeder.
- Touch **Continue** to clear the message and continue printing.

If the printer finds a tray that has the correct paper type and size, then it feeds from that tray. If the printer cannot find a tray with the correct paper type and size, then it prints from the default source.

- Cancel the current job.

## Load Manual Feeder with <type> <size>

Try one or more of the following:

- Load the specified paper in the multipurpose feeder.
- Touch **Continue** to clear the message and continue printing.

If the printer finds a tray that has the correct paper type and size, then it feeds from that tray. If the printer cannot find a tray with the correct paper type and size, then it prints from the default source.

- Cancel the current job.

## Load Staples [G5, G11, G12]

Try one or more of the following:

- Replace the specified staple cartridge in the finisher.
- Touch **Continue** to clear the message and continue printing.
- Touch **Cancel job** to cancel the print job.

## Memory full, cannot print faxes

There is not enough memory to print the fax job.

Touch **Continue** to clear the message without printing. Held faxes will attempt to print after the printer has been restarted.

## Remove paper from <linked bin set name>

Remove the paper from the specified bin. The printer automatically senses paper removal and resumes printing.

If removing the paper does not clear the message, then touch **Continue**.

## Remove paper from all bins

Remove the paper from all of the bins. The printer automatically senses paper removal and resumes printing.

If removing the paper does not clear the message, then touch **Continue**.

## Remove paper from bin <x>

Remove the paper from the specified bin. The printer automatically senses paper removal and resumes printing.



If removing the paper does not clear the message, then touch **Continue**.

## Remove paper from standard output bin

Remove the stack of paper from the standard exit bin.

## Replace all originals if restarting job.

One or more messages which interrupted a scan job are now cleared. Replace the original documents in the scanner to restart the scan job.

Try one or more of the following:

- Touch **Cancel Job** if a scan job is processing when the message appears. This cancels the job and clears the message.
- Touch **Scan from Automatic Document Feeder** if the page jam recovery is active. Scanning resumes from the ADF immediately after the last successfully scanned page.
- Touch **Scan from flatbed** if page jam recovery is active. Scanning resumes from the scanner glass immediately after the last successfully scanned page.
- Touch **Finish job without further scanning** if page jam recovery is active. The job ends at the last successfully scanned page, but the job is not canceled. Successfully scanned pages go to their destination: copy, fax, e-mail, or FTP.
- Touch **Restart job** if job recovery is active. The message clears. A new scan job containing the same parameters as the previous job starts.

## Replace last scanned page and jammed originals if restarting job.

One or more messages which interrupted a scan job are now cleared. Replace the original documents in the scanner to restart the scan job.

Try one or more of the following:

- Touch **Cancel Job** if a scan job is processing when the message appears. This cancels the job and clears the message.
- Touch **Scan from Automatic Document Feeder** if the page jam recovery is active. Scanning resumes from the ADF immediately after the last successfully scanned page.
- Touch **Scan from flatbed** if page jam recovery is active. Scanning resumes from the scanner glass immediately after the last successfully scanned page.
- Touch **Finish job without further scanning** if page jam recovery is active. The job ends at the last successfully scanned page, but the job is not canceled. Successfully scanned pages go to their destination: copy, fax, e-mail, or FTP.
- Touch **Restart job** if job recovery is active. The message clears. A new scan job containing the same parameters as the previous job starts.

## Restore Held Jobs?

Try one or more of the following:

- Touch **Continue** to restore all held jobs stored on the printer hard disk.
- Touch **Do not restore** if you do not want any print jobs to be restored.

## Replace jammed originals if restarting job.

One or more messages which interrupted a scan job are now cleared. Replace the original documents in the scanner to restart the scan job.

Try one or more of the following:

- Touch **Cancel Job** if a scan job is processing when the message appears. This cancels the job and clears the message.
- Touch **Scan from Automatic Document Feeder** if the page jam recovery is active. Scanning resumes from the ADF immediately after the last successfully scanned page.
- Touch **Scan from flatbed** if page jam recovery is active. Scanning resumes from the scanner glass immediately after the last successfully scanned page.
- Touch **Finish job without further scanning** if page jam recovery is active. The job ends at the last successfully scanned page, but the job is not canceled. Successfully scanned pages go to their destination: copy, fax, e-mail, or FTP.
- Touch **Restart job** if job recovery is active. The message clears. A new scan job containing the same parameters as the previous job starts.

## Scan Document Too Long

The scan job exceeds the maximum number of pages. Touch **Cancel Job** to clear the message.

## Scanner ADF Cover Open

The ADF cover is open. The message clears when the cover is closed.

## Scanner jam, remove all originals from the scanner

Clear all original documents from the scanner.

## Scanner Jam Access Cover Open

Close the bottom ADF door to clear the message.

## Serial <x>

The printer is using a serial cable connection. The serial port is the active communication link.

## Some held jobs were not restored

Touch **Continue** to delete the specified job.

**Note:** Some held jobs are not restored. They stay on the hard disk and are inaccessible.

## 30 Invalid refill, change cartridge

Remove the print cartridge, and then install a supported one.

## 31.yy Replace defective or missing cartridge

The toner cartridge is either missing or not functioning properly.

Try one or more of the following:

- Remove the toner cartridge, and then reinstall it.
- Remove the toner cartridge, and then install a new one.

## 32 Cartridge part number unsupported by device

Remove the print cartridge, and then install a supported one.



## 34 Short paper

Try one or more of the following:

- Load the appropriate paper or other specialty media in the proper tray.
- Touch **Continue** to clear the message and print the job using a different paper tray.
- Check tray length and width guides and make sure the paper is properly loaded in the tray.
- Check the Print Properties or Print dialog settings to make sure the print job is requesting the correct paper size and type.
- Check that the paper size is correctly set. For example, if the MP Feeder Size is set to Universal, make sure the paper is large enough for the data being printed.
- Cancel the current print job.

## 34 Incorrect media, check <input src> guides

Try one or more of the following:

- Load the appropriate paper or other specialty media in the tray.
- Press the up or down arrow button until  **Continue** appears, and then press  to clear the message and print the job using a different tray.

## 35 Insufficient memory to support Resource Save feature

Try one or more of the following:

- Touch **Continue** to disable Resource Save and continue printing.
- To enable Resource Save after receiving this message, make sure the link buffers are set to Auto, and then exit the menus to activate the link buffer changes. When **Ready** appears, enable Resource Save.
- Install additional memory.

## 37 Insufficient memory to collate job

Try one or more of the following:

- Touch **Continue** to print the portion of the job already stored and begin collating the rest of the print job.
- Cancel the current print job.

### 37 Insufficient memory for Flash Memory Defragment operation

Try one or more of the following:

- Touch **Continue** to stop the defragment operation and continue printing.
- Delete fonts, macros, and other data in printer memory.
- Install additional printer memory.



### 37 Insufficient memory, some Held Jobs were deleted

The printer deleted some held jobs in order to process current jobs.

Touch **Continue** to clear the message.

### 37 Insufficient memory, some held jobs will not be restored

The printer was unable to restore some or all of the confidential or held jobs on the printer hard disk.

Press the up or down arrow button until  **Continue** appears, and then press  to clear the message.

### 38 Memory full

Try one or more of the following:

- Touch **Continue** to clear the message.
- Cancel the current print job.
- Install additional printer memory.

### 39 Complex page, some data may not have printed

Try one or more of the following:

- Touch **Continue** to clear the message and continue printing.
- Cancel the current print job.
- Install additional printer memory.

### 50 PPDS font error

Try one or more of the following:

- Touch **Continue** to clear the message and continue printing.
- The printer cannot find a requested font. From the PPDS menu, select **Best Fit**, and then select **On**. The printer will find a similar font and reformat the affected text.
- Cancel the current print job.

## 51 Defective flash detected

Try one or more of the following:

- Touch **Continue** to clear the message and continue printing.
- Cancel the current print job.

## 52 Not enough free space in flash memory for resources

Try one or more of the following:

- Touch **Continue** to clear the message and continue printing.  
Downloaded fonts and macros not previously stored in flash memory are deleted.
- Delete fonts, macros, and other data stored in flash memory.
- Upgrade to a larger capacity flash memory card.

## 53 Unformatted flash detected

Try one or more of the following:

- Touch **Continue** to stop the defragment operation and continue printing.
- Format the flash memory. If the error message remains, the flash memory may be defective and require replacing.

## 54 Network <x> software error

<x> is the number of the network connection.

Try one or more of the following:

- Touch **Continue** to continue printing.
- Turn the printer off and then back on to reset the printer.
- Upgrade (flash) the network firmware in the printer or print server.

## 54 Serial option <x> error

<x> is the number of the serial option.

Try one or more of the following:

- Check that the serial cable is connected correctly and is the proper one for the serial port.
- Check that the serial interface parameters (protocol, baud, parity, and data bits) are set correctly on the printer and host computer.
- Touch **Continue** to continue printing.
- Turn the printer power off and then back on to reset the printer.

## 54 Standard network software error

Try one or more of the following:

- Touch **Continue** to continue printing.
- Turn the printer off and then back on to reset the printer.

- Upgrade (flash) the network firmware in the printer or print server.

## 55 Unsupported option in slot <x>

<x> is a slot on the printer system board.

Try one or more of the following:

- 1 Turn the printer power off.
- 2 Unplug the power cord from the wall outlet.
- 3 Remove the unsupported option card from the printer system board.
- 4 Connect the power cord to a properly grounded outlet.
- 5 Turn the printer power back on.

## 56 Parallel port <x> disabled

<x> is the number of the parallel port.

Try one or more of the following:

- Touch **Continue** to clear the message.  
The printer discards any data received through the parallel port.
- Make sure the Parallel Buffer menu item is not set to Disabled.

## 56 Serial port <x> disabled

<x> is the number of the serial port.

Try one or more of the following:

- Touch **Continue** to clear the message.  
The printer discards any data received through the serial port.
- Make sure the Serial Buffer menu item is not set to Disabled.

## 56 Standard parallel port disabled

Try one or more of the following:

- Touch **Continue** to clear the message.  
The printer discards any data received through the parallel port.
- Make sure the Parallel Buffer menu item is not set to Disabled.

## 56 Standard USB port disabled

Try one or more of the following:

- Touch **Continue** to clear the message.  
The printer discards any data received through the USB port.
- Make sure the USB Buffer menu item is not set to Disabled.

## 56 USB port <x> disabled

<x> is the number of the USB port.

Try one or more of the following:

- Touch **Continue** to clear the message.  
The printer discards any data received through the USB port.
- Make sure the USB Buffer menu item is not set to Disabled.

## 57 Configuration change, held jobs were not restored

Since the time the jobs were stored on the printer hard disk something has changed in the printer to invalidate the held jobs. Possible changes include:

- The printer firmware has been updated.
- Paper input, output, or duplex options needed for the print job were removed.
- The print job was created using data from a device in the USB port and the device is no longer in the port.
- The printer hard disk contains jobs that were stored while installed in a different printer model.

Touch **Continue** to clear the message.

## 58 Too many bins attached

- 1 Turn the printer power off.
- 2 Unplug the power cord from the wall outlet.
- 3 Remove the additional bins.
- 4 Connect the power cord to a properly grounded outlet.
- 5 Turn the printer power back on.

## 58 Too many disks installed

- 1 Turn the printer off.
- 2 Unplug the power cord from the wall outlet.
- 3 Remove the extra disks.
- 4 Connect the power cord to a properly grounded outlet.
- 5 Turn the printer back on.

## 58 Too many flash options installed

- 1 Turn the printer off.
- 2 Unplug the power cord from the wall outlet.
- 3 Remove the excess flash memory.

- 4 Connect the power cord to a properly grounded outlet.
- 5 Turn the printer back on.

## 58 Too many trays attached

- 1 Turn the printer off.
- 2 Unplug the power cord from the wall outlet.
- 3 Remove the additional trays.
- 4 Connect the power cord to a properly grounded outlet.
- 5 Turn the printer back on.

## 61 Remove defective disk

Try one or more of the following:

- Touch **Continue** to clear the message and continue printing.
- Install a different printer hard disk before performing any operations that require a printer hard disk.

## 62 Disk full

Try one or more of the following:

- Touch **Continue** to clear the message and continue processing.
- Delete fonts, macros, and other data stored on the printer hard disk.
- Install a larger printer hard disk.

## 63 Unformatted disk

Try one or more of the following:

- Touch **Continue** to clear the message and continue printing.
- Format the printer hard disk.

If the error message remains, the hard disk may be defective and require replacing.

## 80 Routine maintenance needed


The printer needs to have routine maintenance done. Order a maintenance kit, which contains all the items necessary to replace the pick rollers, the charge roll, the transfer roller, and the fuser.

## 84 Insert photoconductor

Install the specified photoconductor to clear the message.



## 84 Photoconductor low

- 1 Press the up or down arrow button until **Continue** appears, and then press .
- 2 Order a replacement photoconductor immediately. When print quality is reduced, install the new photoconductor.

## 84 Replace photoconductor

The printer will not print any more pages until the photoconductor is replaced.

Replace the specified photoconductor.

## 84 Photoconductor abnormal

An unacceptable photoconductor has been installed in the device. Replace the photoconductor.

## 88 Cartridge low

The toner is low. Replace the print cartridge, and then touch **Continue** to clear the message and continue printing.

## 88 Replace cartridge to continue

Replace the toner cartridge.

## 298.01 Scanner Missing - Cable Unplugged

The scanner was not detected. Make sure the scanner is properly connected.

## 1565 Emulation error, load emulation option

The printer automatically clears the message in 30 seconds and then disables the download emulator on the firmware card.

To fix this, download the correct download emulator version from the Lexmark Web site at [www.lexmark.com](http://www.lexmark.com).

## Clearing jams

Jam error messages appear on the control panel display and include the area of the printer where the jam occurred. When there is more than one jam, the number of jammed pages is displayed.

## Avoiding jams

The following hints can help you avoid jams:

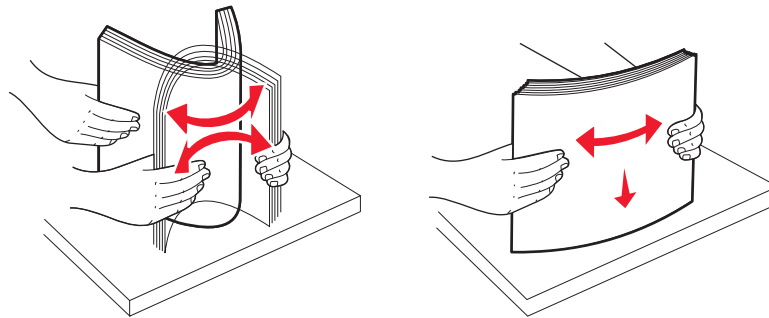
### Paper tray recommendations

- Make sure the paper lies flat in the tray.
- Do not remove a tray while the printer is printing.

- Do not load a tray while the printer is printing. Load it prior to printing, or wait for a prompt to load it.
- Do not load too much paper. Make sure the stack height does not exceed the indicated maximum height.
- Make sure the guides in the tray or the multipurpose feeder are properly positioned and are not pressing too tightly against the paper or envelopes.
- Push the tray in firmly after loading paper.

**Paper recommendations**

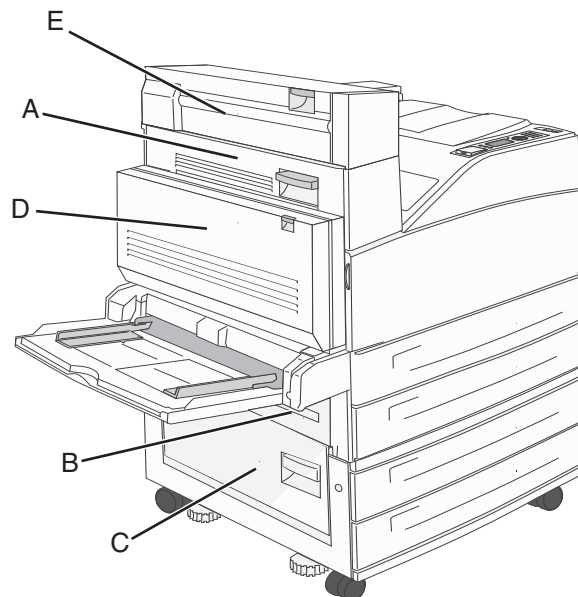
- Use only recommended paper or specialty media.
- Do not load wrinkled, creased, damp, bent, or curled paper.
- Flex, fan, and straighten paper before loading it.



- Do not use paper that has been cut or trimmed by hand.
- Do not mix paper sizes, weights, or types in the same stack.
- Make sure all sizes and types are set correctly in the printer control panel menus.
- Store paper per the manufacturer's recommendations.

**Understanding jam numbers and locations**

When a jam occurs, a message indicating the jam location appears on the display. Open doors and covers and remove trays to access jam locations. To resolve any paper jam message, you must clear all jammed paper from the paper path.

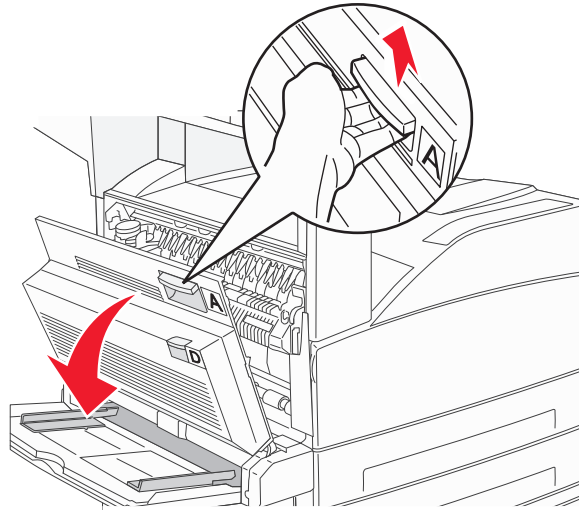




Jam numbers	What to do
<b>200–202</b>	Open Door A, and then remove the jam.
<b>203</b>	Open Doors A and E, and then remove any jams.
<b>230</b>	Lower the duplex unit (Door D), and then remove the jam. Open Doors A and E, and then remove any jams.
<b>231</b>	Lower the duplex unit (Door D), and then remove the jam. Open Door A, and then remove the jam.
24x	Open each tray, and then remove any jams.
<b>250</b>	<ol style="list-style-type: none"> <li><b>1</b> Remove all media from the multipurpose feeder.</li> <li><b>2</b> Flex and stack the media.</li> <li><b>3</b> Reload the multipurpose feeder.</li> <li><b>4</b> Adjust the paper guide.</li> </ol>
<b>280–281</b>	Open Door A, and then remove the jam. Lift Door F, and then remove the jam.
<b>282</b>	Lift Door F, and then remove the jam.
<b>283</b>	Open Door H, and then remove the jam.
<b>284</b>	Lower the duplex unit (Door D), and then remove the jam. Open Doors A and E, and then remove any jams.
<b>285–286</b>	Open Door H, and then remove the jam.
<b>287–288</b>	Open Doors F and G, and then remove the jam.
<b>289</b>	Open Door G, and then remove the jam.
290–294 jams	Open the ADF cover and the scanner cover, and then remove any jams.
<b>293</b>	<ul style="list-style-type: none"> <li>• On the touch screen, select the location of your original document.</li> <li>• Finish your job without further scanning.</li> <li>• Restart scanning.</li> <li>• Cancel the job and clear the message.</li> </ul>

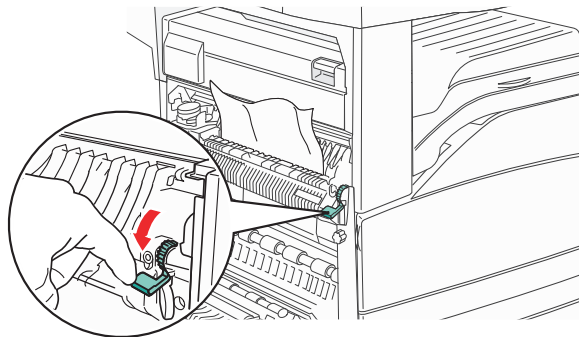
## 200–201 paper jams

- 1 Open Door A by pushing the release latch up and lowering the door.



**CAUTION—HOT SURFACE:** The inside of the printer might be hot. To reduce the risk of injury from a hot component, allow the surface to cool before touching.

- 2 Pull the jam up and toward you.

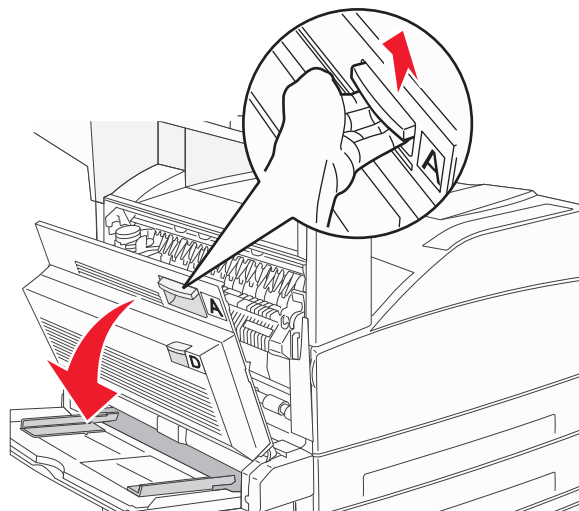



**Note:** If the jam does not move immediately, stop pulling. Push down and pull the green lever to make it easier to remove the jam. Make sure all paper fragments are removed.

- 3 Close Door A.

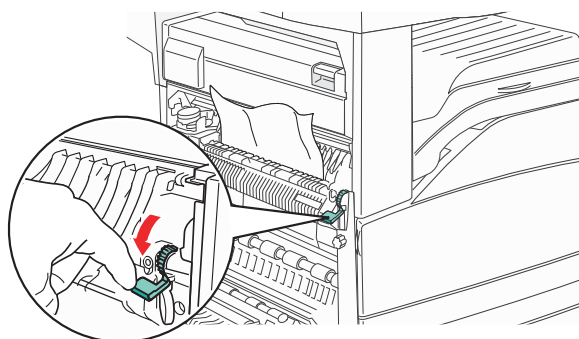
## 202 paper jam

- 1 Open Door A by pushing the release latch up and lowering the door.



 **CAUTION—HOT SURFACE:** The inside of the printer might be hot. To reduce the risk of injury from a hot component, allow the surface to cool before touching.

- 2 Pull the jam up and toward you.



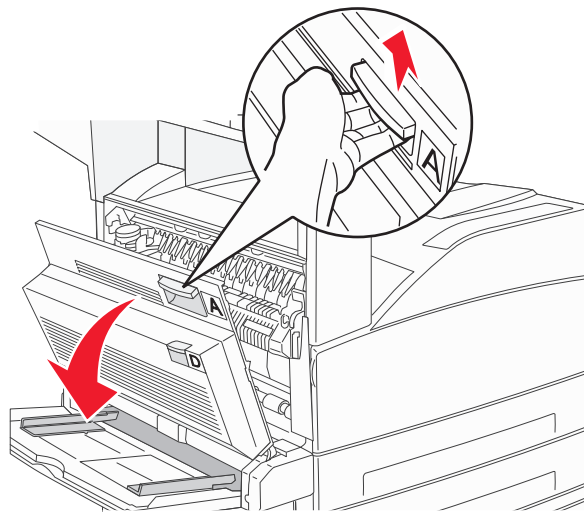
**Note:** If the jam does not move immediately, stop pulling. Push down and pull the green lever to make it easier to remove the jam. Make sure all paper fragments are removed.

- 3 Close Door A.

## 203, 230–231 paper jams

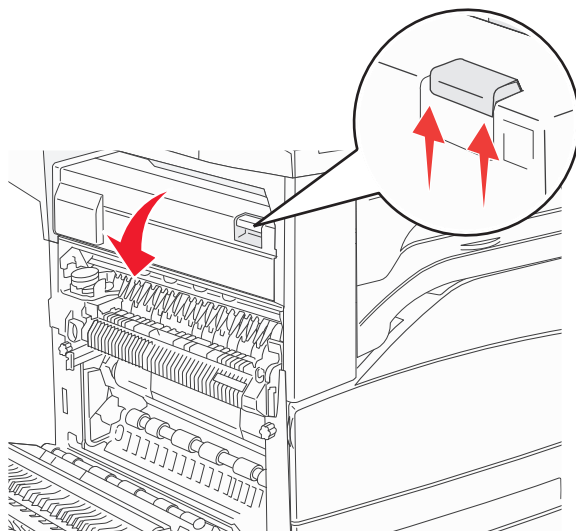
### 203 paper jam

- 1 Open Door A by pushing the release latch up and lowering the door.

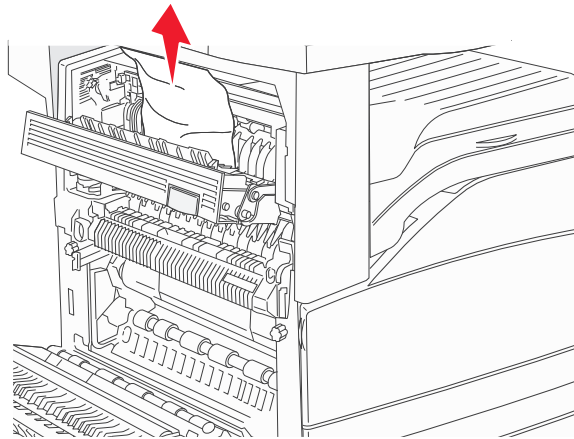


**CAUTION—HOT SURFACE:** The inside of the printer might be hot. To reduce the risk of injury from a hot component, allow the surface to cool before touching.

- 2 Open Door E by pushing the release latch and lowering the door.



**3** Pull the jam up.

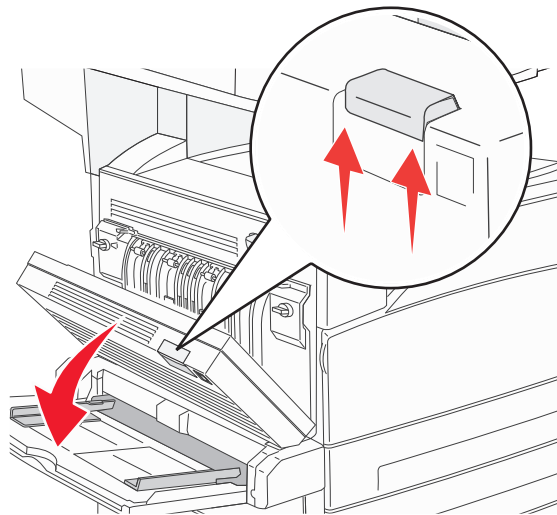


**4** Close Door E.

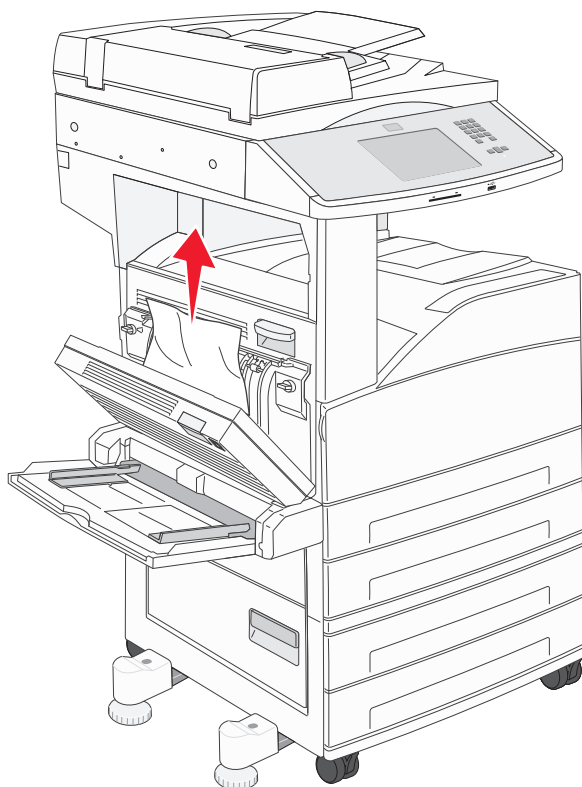
**5** Close Door A.

**230 paper jam**

**1** Open Door D.

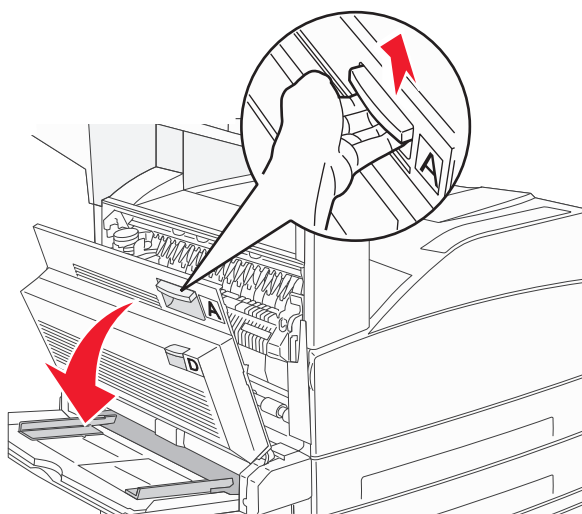



2 Remove the jam.



3 Close Door D.

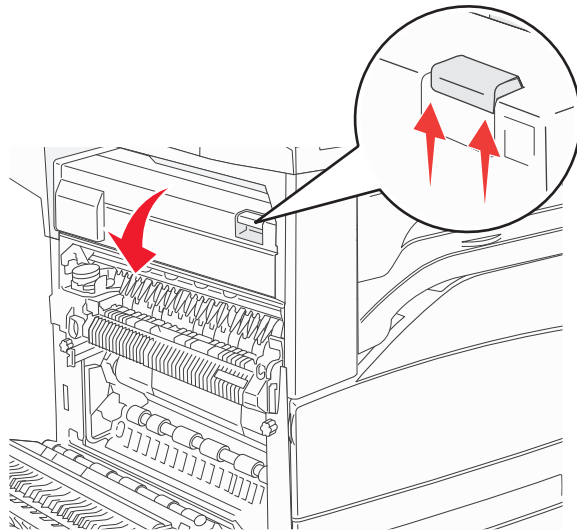
4 Open Door A by pushing the release latch up and lowering the door.



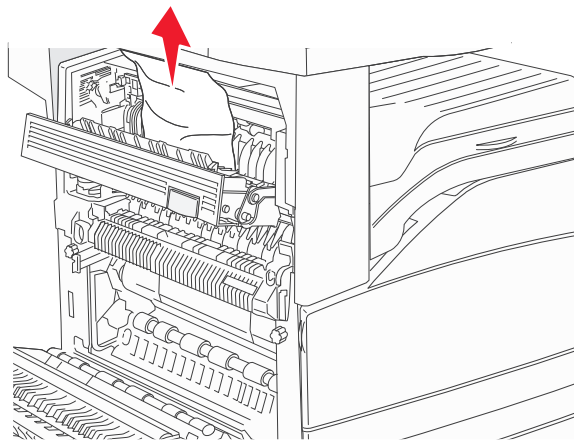
 **CAUTION—HOT SURFACE:** The inside of the printer might be hot. To reduce the risk of injury from a hot component, allow the surface to cool before touching.



**5** Open Door E by pushing the release latch and lowering the door.



**6** Pull the jam up.

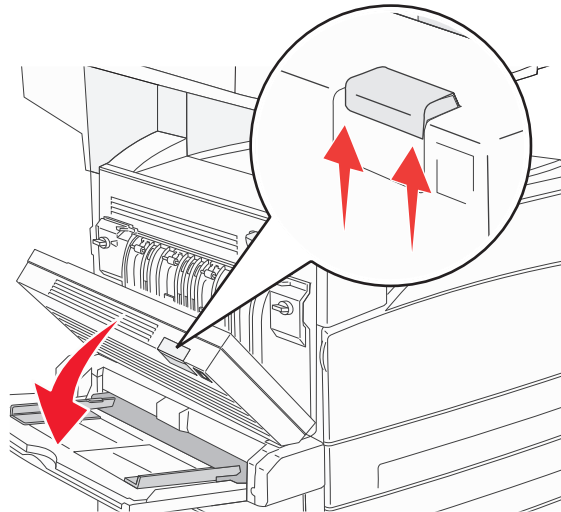


**7** Close Door E.

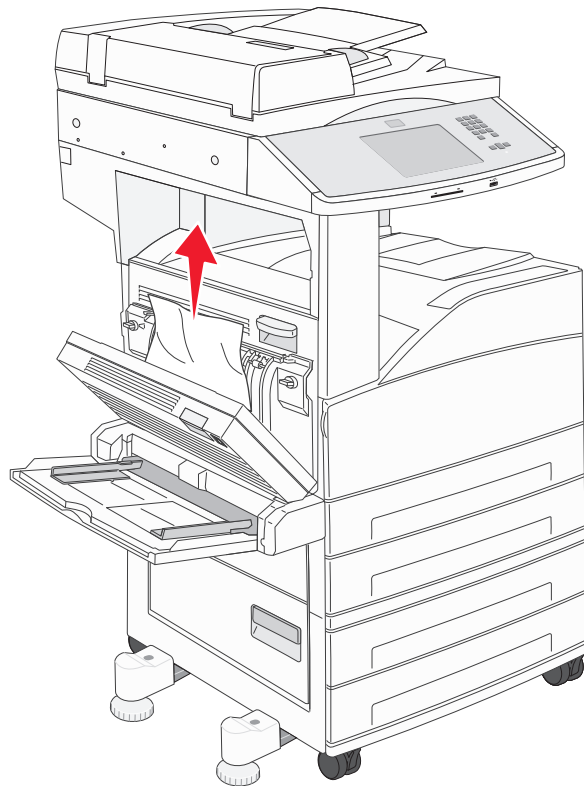
**8** Close Door A.

### 231 paper jam

1 Open Door D.

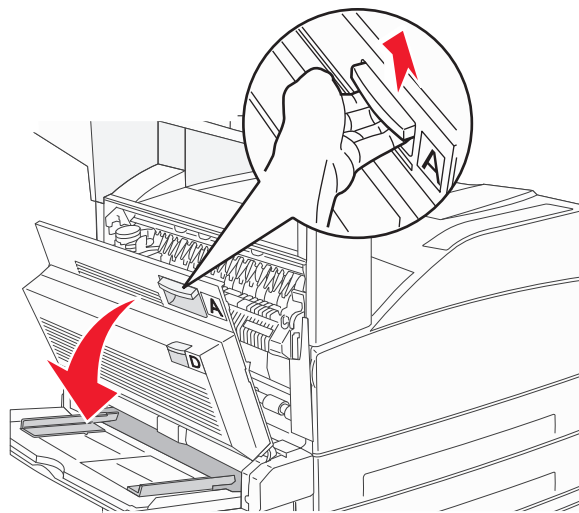



2 Remove the jam.



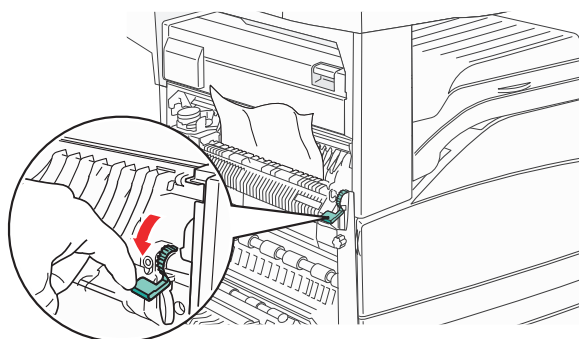
3 Close Door D.

4 Open Door A by pushing the release latch up and lowering the door.



 **CAUTION—HOT SURFACE:** The inside of the printer might be hot. To reduce the risk of injury from a hot component, allow the surface to cool before touching.

5 Pull the jam up and toward you.



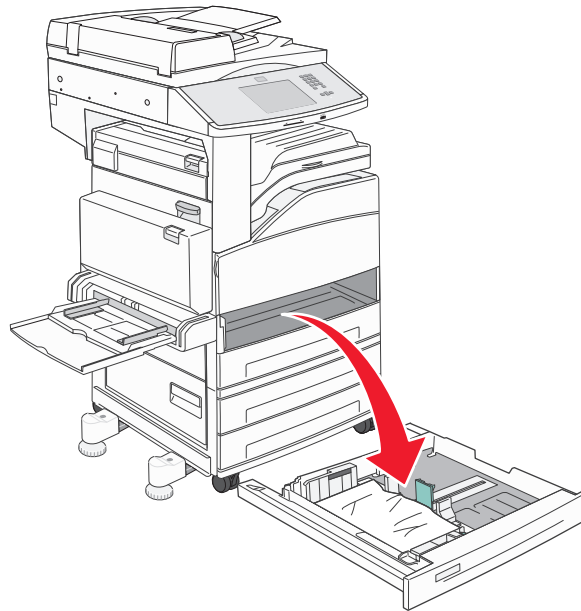
**Note:** If the jam does not move immediately, stop pulling. Push down and pull the green lever to make it easier to remove the jam. Make sure all paper fragments are removed.

6 Close Door A.

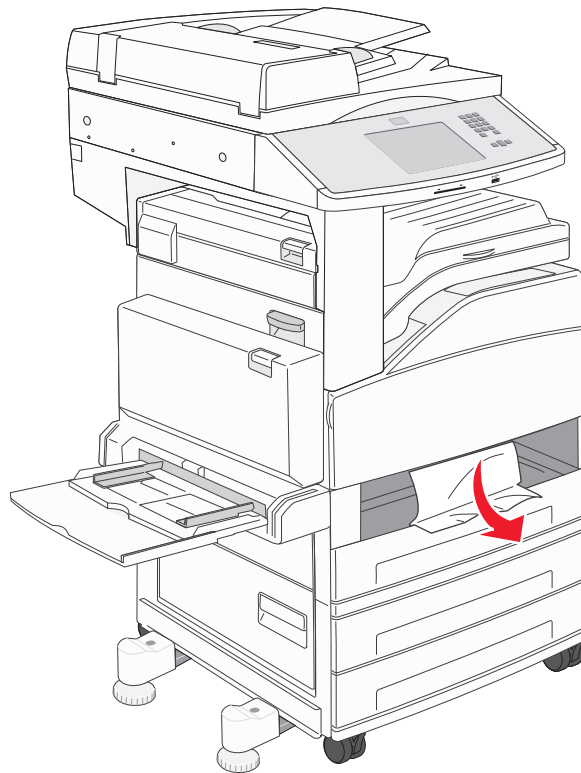
## 24x paper jam

### Jam in Tray 1

- 1 Remove Tray 1 from the printer.



- 2 Remove the jam.

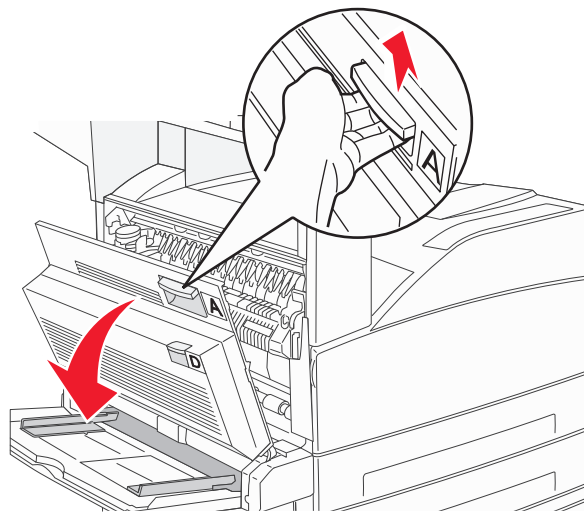


- 3 Insert Tray 1.

If all jams are cleared, then the printer resumes printing.

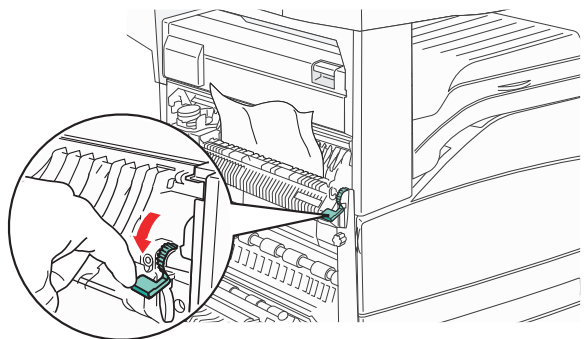
### Clearing Area A

- 1 Open Door A by pushing the release latch up and lowering the door.



**CAUTION—HOT SURFACE:** The inside of the printer might be hot. To reduce the risk of injury from a hot component, allow the surface to cool before touching.

- 2 Pull the jam up and toward you.

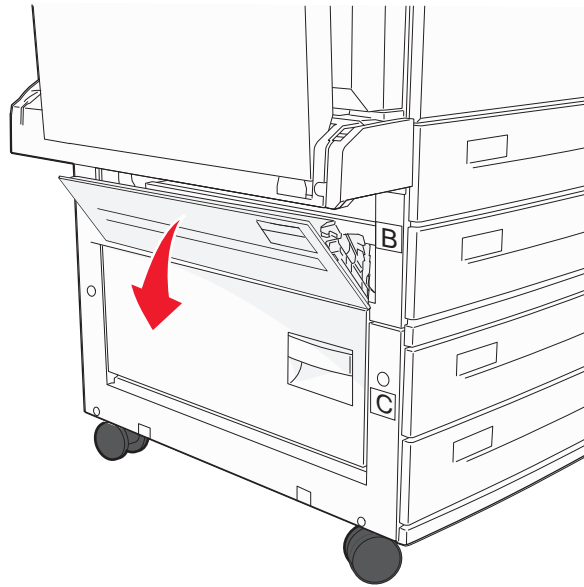


**Note:** If the jam does not move immediately, stop pulling. Push down and pull the green lever to make it easier to remove the jam. Make sure all paper fragments are removed.

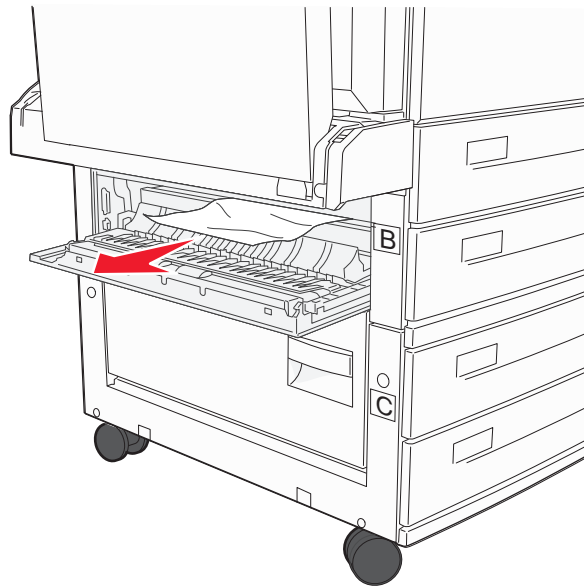
- 3 Close Door A.

## Clearing Area B

1 Open Door B.



2 Pull the jam up and toward you.

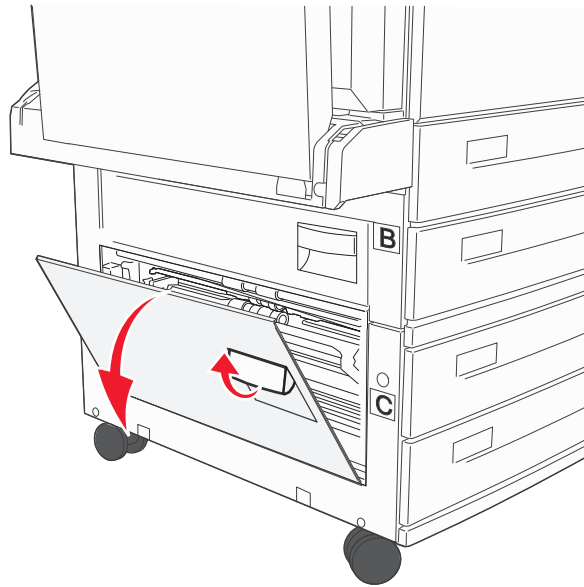


3 Close Door B.

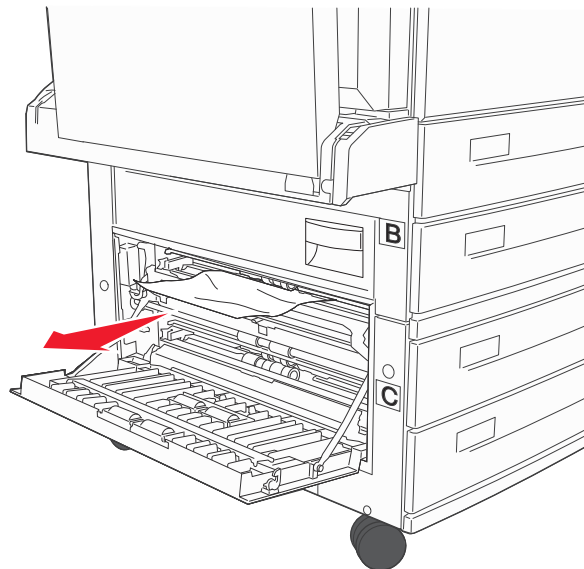
4 Touch **Continue**.

## Clearing Area C

- 1 Open Door C.



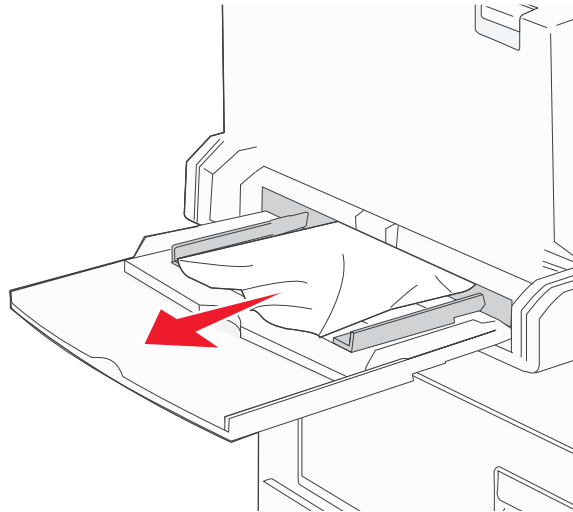
- 2 Pull the jam up and toward you.



- 3 Close Door C.
- 4 Touch **Continue**.

## 250 paper jam

- 1 Remove the paper from the multipurpose feeder.

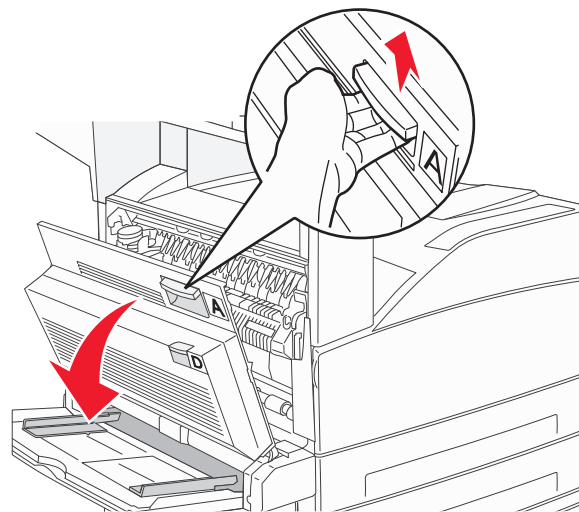



- 2 Flex the sheets of paper back and forth to loosen them, and then fan them. Do not fold or crease the paper. Straighten the edges on a level surface.
- 3 Load the paper into the multipurpose feeder.
- 4 Adjust the paper guide to rest lightly against the edge of the paper.

## 280–282 paper jams

### 280-281 paper jams

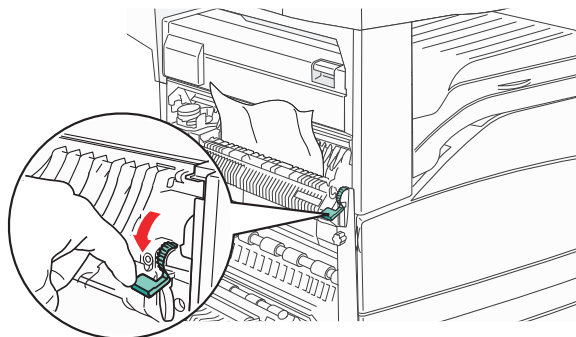
- 1 Open Door A by pushing the release latch up and lowering the door.



 **CAUTION—HOT SURFACE:** The inside of the printer might be hot. To reduce the risk of injury from a hot component, allow the surface to cool before touching.



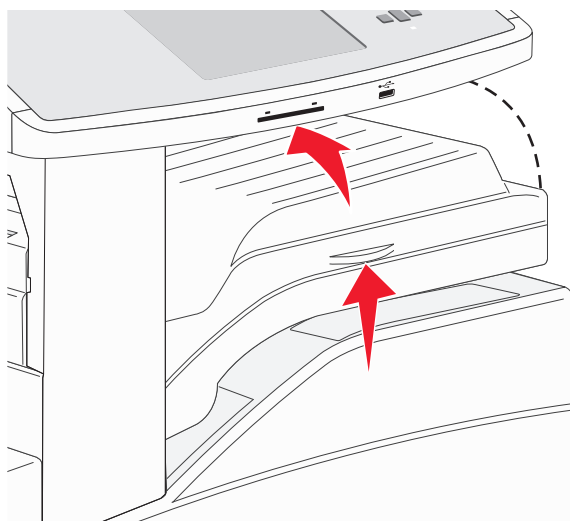
2 Pull the jam up and toward you.



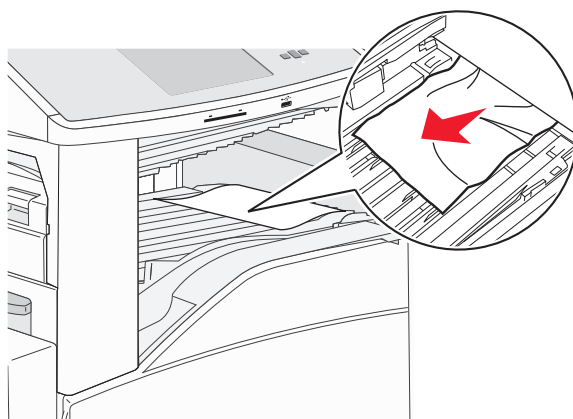
**Note:** If the jam does not move immediately, stop pulling. Push down and pull the green lever to make it easier to remove the jam. Make sure all paper fragments are removed.

3 Close Door A.

4 Open Door F.



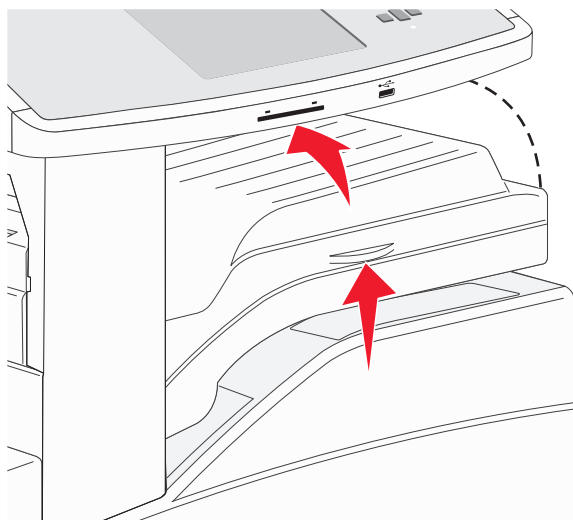
5 Remove the jam.



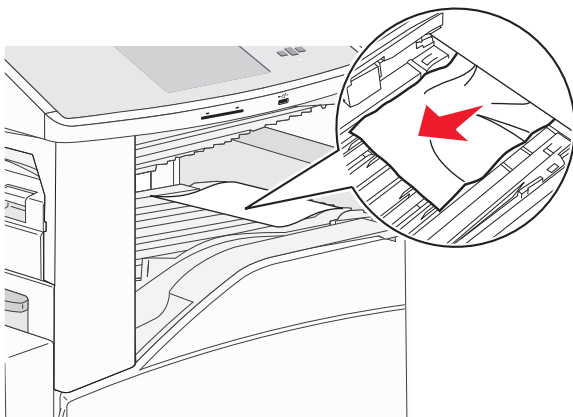
6 Close Door F.

## 282 paper jam

1 Open Door F.



2 Remove the jam.

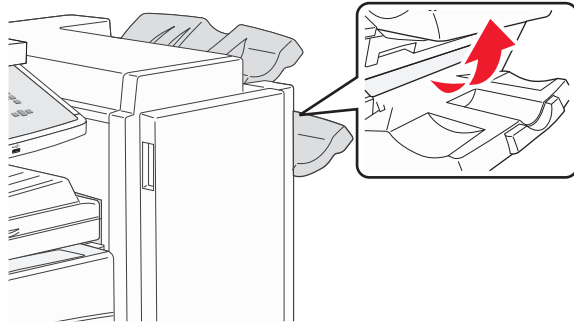


3 Close Door F.

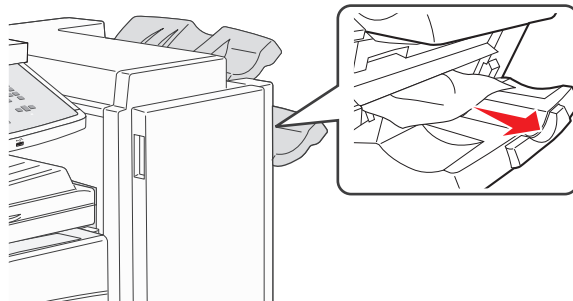
## 283, 289 staple jams

### 283 paper jam

- 1 Lift Door H.



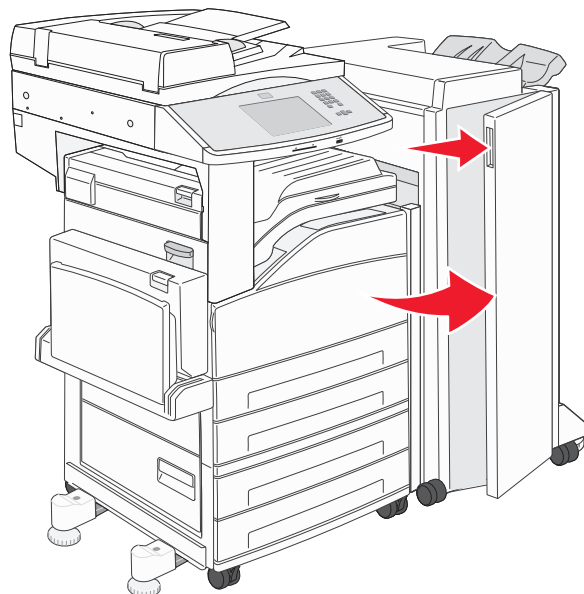
- 2 Remove the jam.



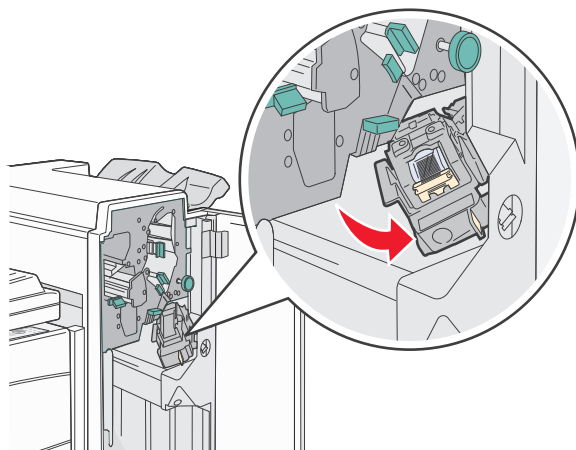
- 3 Close Door H.

### 289 staple error

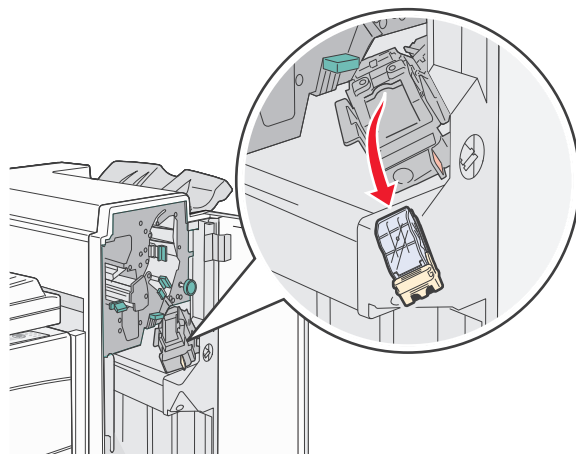
- 1 Open Door G.



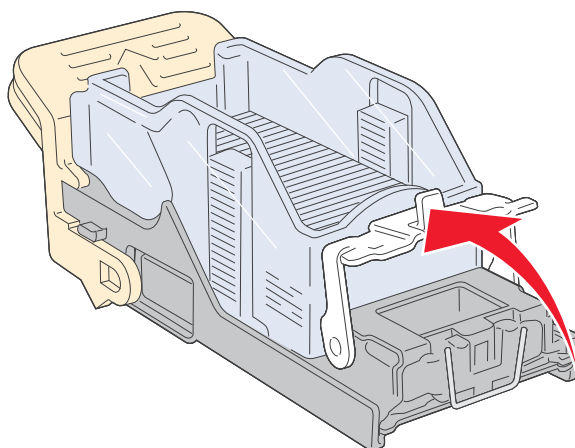
**2** Hold the lever on the staple cartridge holder, and move the holder to the right.



**3** Firmly pull the colored tab to remove the staple cartridge.

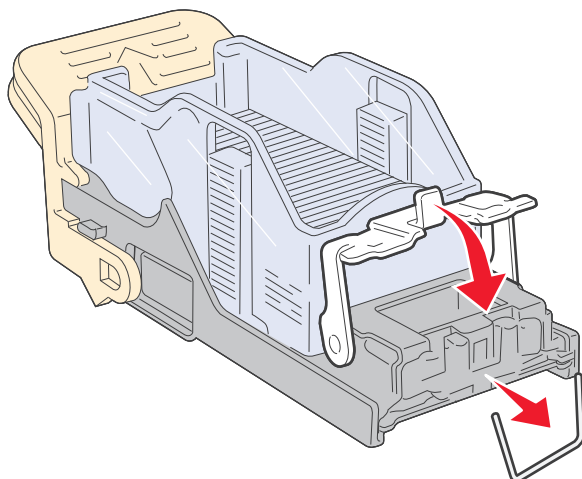


**4** Use the metal tab to lift the staple guard, and then pull out the sheet of staples.  
Discard the entire sheet.

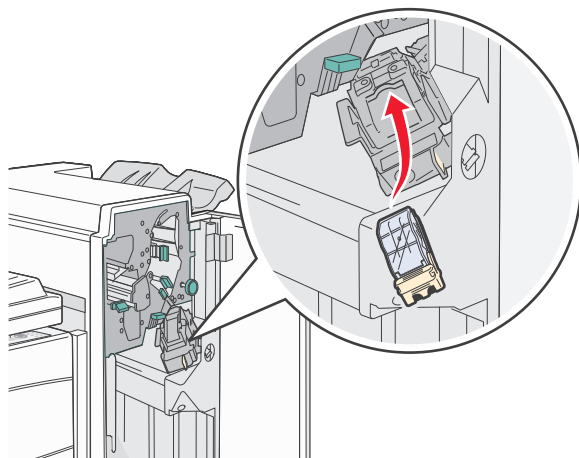


**5** Look through the clear covering on the bottom of the cartridge holder to make sure no staples are jammed at the entrance.

**6** Press down on the staple guard until it snaps securely into place.



**7** Push the cartridge holder firmly into the stapler until the holder clicks into place.



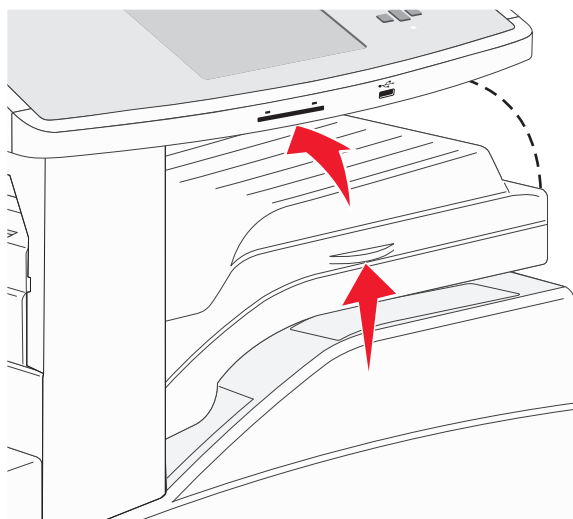
**8** Close Door G.

**Priming Stapler** appears. Priming ensures the stapler is functioning properly.

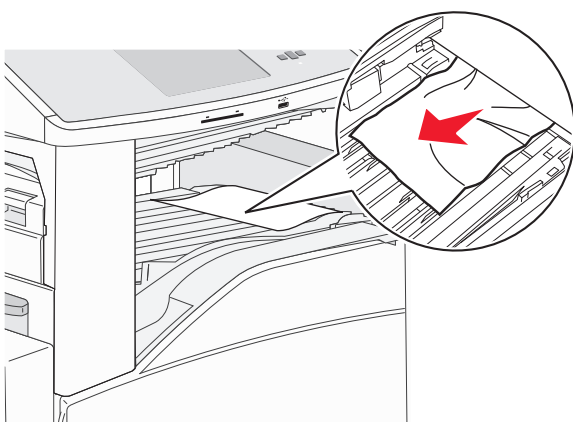
## 28x paper jam

### 284 paper jam

- 1 Open Door F.

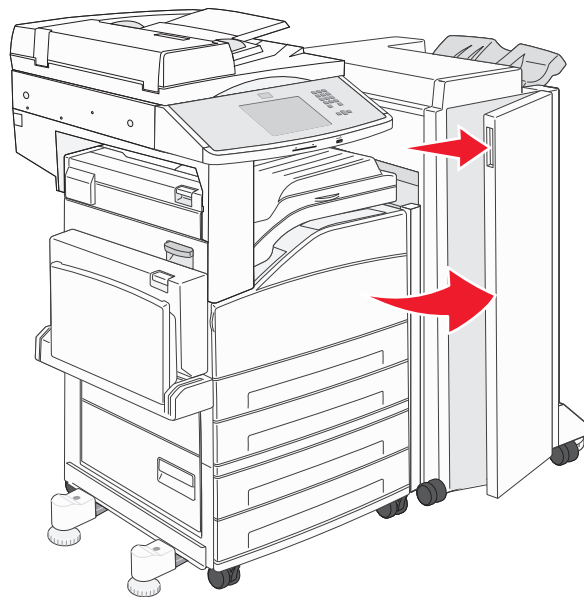


- 2 Remove the jam.



- 3 Close Door F.

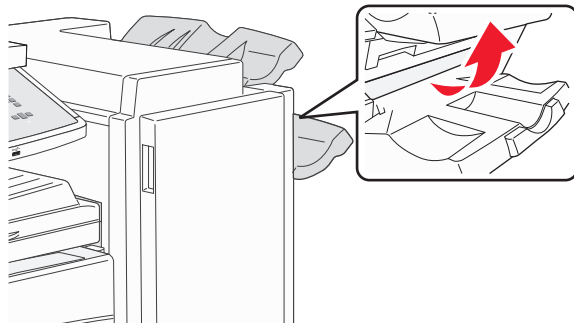
**4** Open Door G.



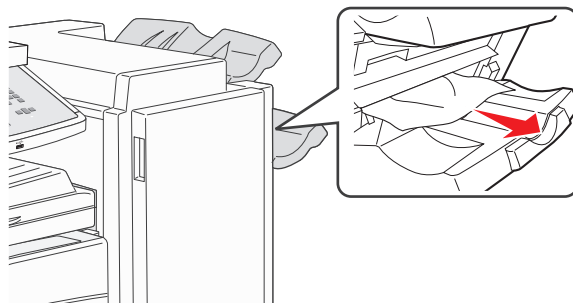
**5** Remove the jam.

**6** Close Door G.

**7** Lift Door H.



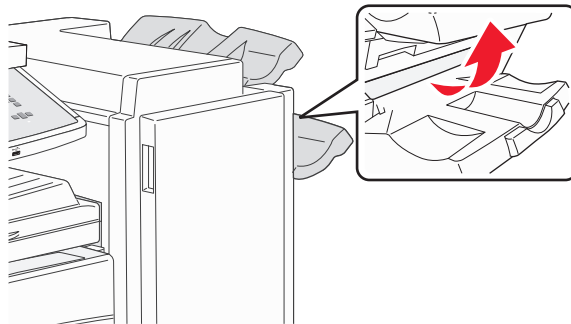
**8** Remove the jam.



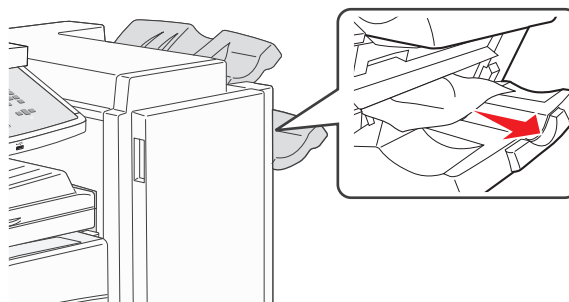
**9** Close Door H.

**285–286 paper jams**

**1** Lift Door H.



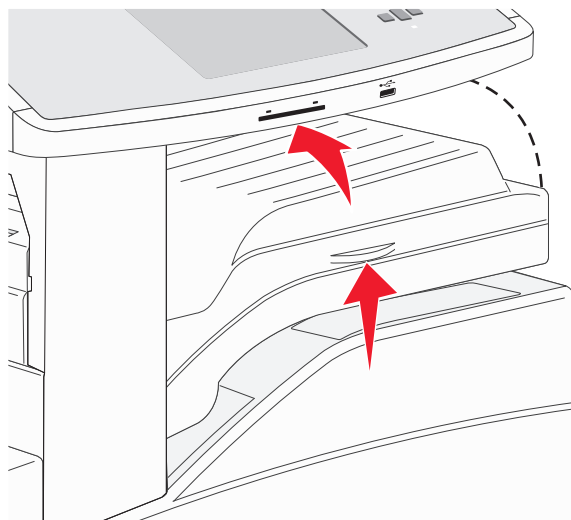
**2** Remove the jam.



**3** Close Door H.

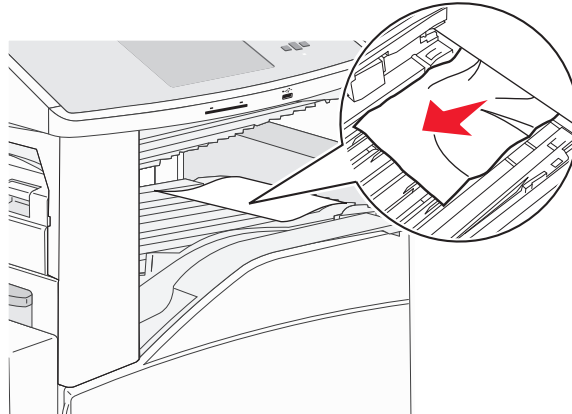
**287–288 paper jams**

**1** Open Door F.

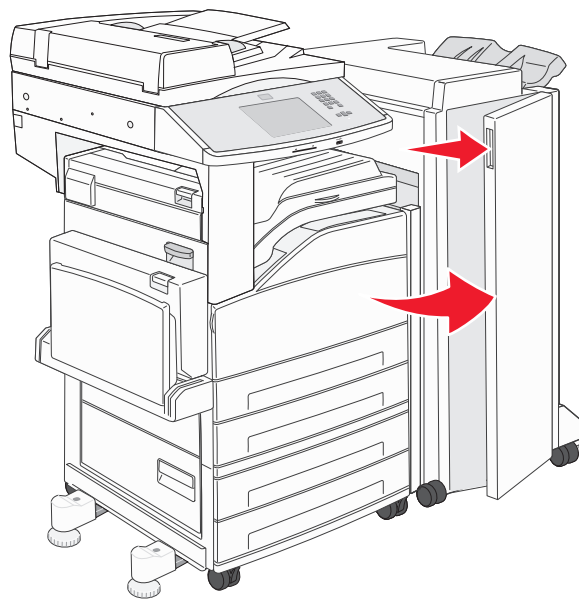




- 2 Remove the jam.



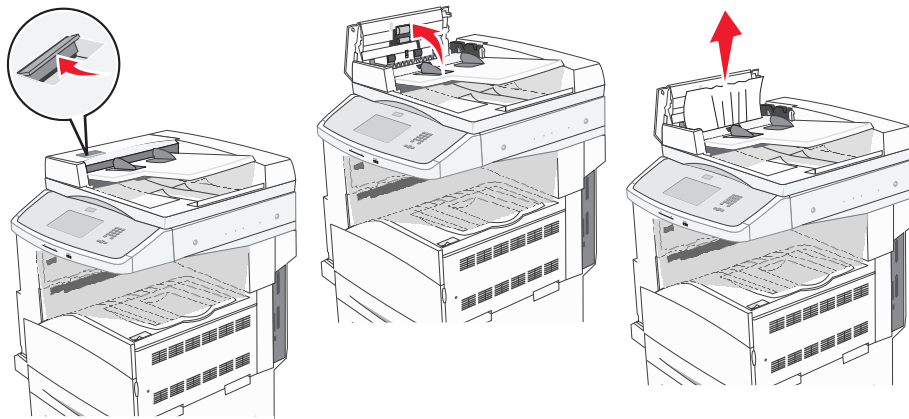
- 3 Close Door F.
- 4 Open Door G.



- 5 Remove the jam.
- 6 Close Door G.

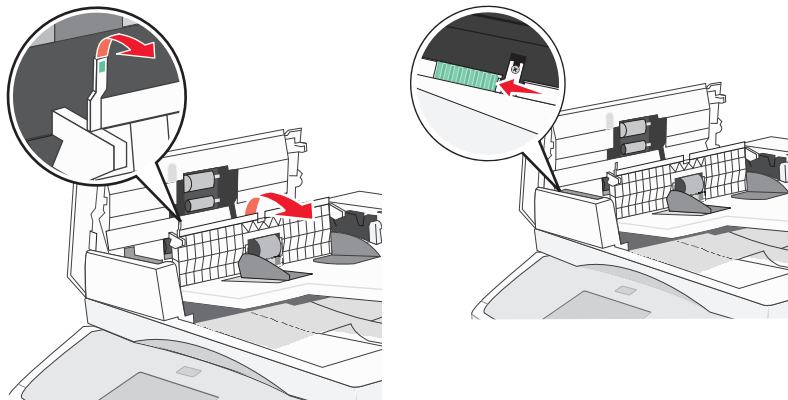
### 290–294 paper jams

- 1 Remove all original documents from the ADF.
- 2 Lift the ADF cover latch.
- 3 Open the ADF cover, and then remove any jammed paper.



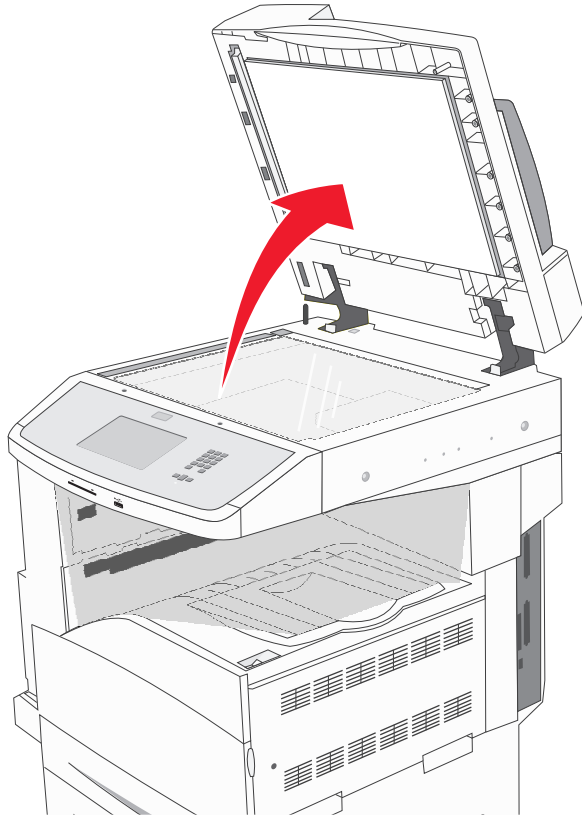
**4** Raise the sheet guard.

**5** Turn the paper advance wheel to the left to remove any jammed pages.



**6** Close the ADF cover.

- 7 Open the scanner cover, and remove any jammed pages.



- 8 Close the scanner cover.
- 9 Touch **Continue**.

## 293 paper jam

The printer was sent a scan job, but found no original document in the ADF. Try one or more of the following:

- Touch **Continue** if no scan job is active when the message appears. This clears the message.
- Touch **Cancel Job** if a scan job is processing when the message appears. This cancels the job and clears the message.
- Touch **Scan from Automatic Document Feeder** if the page jam recovery is active. Scanning resumes from the ADF immediately after the last successfully scanned page.
- Touch **Scan from flatbed** if page jam recovery is active. Scanning resumes from the scanner glass immediately after the last successfully scanned page.
- Touch **Finish job without further scanning** if page jam recovery is active. The job ends at the last successfully scanned page, but the job is not canceled. Successfully scanned pages go to their destination: copy, fax, e-mail, or FTP.
- Touch **Restart job** if job recovery is active and the job is restartable. The message clears. A new scan job containing the same parameters as the previous job starts.

## Solving printing problems

### Multiple-language PDFs do not print

The documents contain unavailable fonts.

- 1 Open the document you want to print in Adobe Acrobat.
- 2 Click the printer icon.  
The Print dialog appears.
- 3 Select **Print as image**.
- 4 Click **OK**.

### Error message about reading USB drive appears

Make sure the USB drive is supported. For information regarding tested and approved USB flash memory devices, see "Printing from a flash drive" on page 79.

### Jobs do not print

These are possible solutions. Try one or more of the following:

#### **MAKE SURE THE PRINTER IS READY TO PRINT**

Make sure **Ready** or **Power Saver** appears on the display before sending a job to print.

#### **CHECK TO SEE IF THE STANDARD EXIT BIN IS FULL**

Remove the stack of paper from the standard exit bin.

#### **CHECK TO SEE IF THE PAPER TRAY IS EMPTY**

Load paper in the tray.

#### **MAKE SURE THE CORRECT PRINTER SOFTWARE IS INSTALLED**

- Verify that you are using the correct printer software.
- If you are using a USB port, make sure you are running a supported operating system and using compatible printer software.

#### **MAKE SURE THE INTERNAL PRINT SERVER IS INSTALLED PROPERLY AND WORKING**

- Make sure the internal print server is properly installed and that the printer is connected to the network.
- Print a network setup page and check that the status shows **Connected**. If the status is **Not Connected**, check the network cables, and then try printing the network setup page again. Contact your system support person to make sure the network is functioning correctly.

Copies of the printer software are also available on the Lexmark Web site at [www.lexmark.com](http://www.lexmark.com).

## **MAKE SURE YOU ARE USING A RECOMMENDED USB, SERIAL, OR ETHERNET CABLE**

For more information, visit the Lexmark Web site at [www.lexmark.com](http://www.lexmark.com).

## **MAKE SURE PRINTER CABLES ARE SECURELY CONNECTED**

Check the cable connections to the printer and print server to make sure they are secure.

For more information, see the setup documentation that came with the printer.

## **Confidential and other held jobs do not print**

These are possible solutions. Try one or more of the following:

### **PARTIAL JOB, NO JOB, OR BLANK PAGES PRINT**

The print job may contain a formatting error or invalid data.

- Delete the print job, and then print it again.
- For PDF documents, recreate the PDF and then print it again.

### **MAKE SURE THE PRINTER HAS SUFFICIENT MEMORY**

Free up additional printer memory by scrolling through the list of held jobs and deleting some of them.



## **Job takes longer than expected to print**

These are possible solutions. Try one or more of the following:

### **REDUCE THE COMPLEXITY OF THE PRINT JOB**

Eliminate the number and size of fonts, the number and complexity of images, and the number of pages in the job.

### **CHANGE THE PAGE PROTECT SETTING TO OFF**

- 1 Make sure the printer is on and **Ready** appears.
- 2 On the home screen, touch .
- 3 Touch **Settings**.
- 4 Touch **General Settings**.
- 5 Touch the down arrow until **Print Recovery** appears.
- 6 Touch **Print Recovery**.
- 7 Touch the right arrow next to **Page Protect** until **Off** appears.
- 8 Touch **Submit**.
- 9 Touch .

## Job prints from the wrong tray or on the wrong paper

### CHECK THE PAPER TYPE SETTING

Make sure the paper type setting matches the paper loaded in the tray:

- 1 From the printer control panel, check the Paper Type setting from the Paper menu.
- 2 Before sending the job to print, specify the correct type setting:
  - For Windows users, specify the type from Print Properties.
  - For Macintosh users, specify the type from the Print dialog.

## Incorrect characters print

### MAKE SURE THE PRINTER IS NOT IN HEX TRACE MODE

If **Ready Hex** appears on the display, then you must exit Hex Trace mode before you can print your job. Turn the printer off and back on to exit Hex Trace mode.

## Tray linking does not work

These are possible solutions. Try one or more of the following:

### LOAD THE SAME SIZE AND TYPE OF PAPER

- Load the same size and type of paper in each tray to be linked.
- Move the paper guides to the correct positions for the paper size loaded in each tray.

### USE THE SAME PAPER SIZE AND PAPER TYPE SETTINGS

- Print a menu settings page and compare the settings for each tray.
- If necessary, adjust the settings from the Paper Size/Type menu.

**Note:** The multipurpose feeder does not automatically sense the paper size. You must set the size from the Paper Size/Type menu.

## Large jobs do not collate

These are possible solutions. Try one or more of the following:

### MAKE SURE COLLATE IS SET TO ON

From the Finishing menu or Print Properties, set Collate to On.

**Note:** Setting Collate to Off in the software overrides the setting in the Finishing menu.

### REDUCE THE COMPLEXITY OF THE PRINT JOB



Reduce the complexity of the print job by eliminating the number and size of fonts, the number and complexity of images, and the number of pages in the job.

## MAKE SURE THE PRINTER HAS ENOUGH MEMORY

Add printer memory or an optional hard disk.

## Unexpected page breaks occur

### INCREASE THE PRINT TIMEOUT VALUE

- 1 Make sure the printer is on and **Ready** appears.
- 2 On the home screen, touch .
- 3 Touch **Settings**.
- 4 Touch **General Settings**.
- 5 Touch the down arrow until **Timeouts** appears.
- 6 Touch **Timeouts**.
- 7 Touch the left or right arrow next to **Print Timeout** until the desired value appears.
- 8 Touch **Submit**.
- 9 Touch .

## Solving copy problems

### Copier does not respond

These are possible solutions. Try one or more of the following:

#### CHECK THE DISPLAY FOR ERROR MESSAGES

Clear any error messages.

#### CHECK THE POWER

Make sure the printer is plugged in, the power is on, and **Ready** appears.

### Scanner unit does not close

Make sure there are no obstructions:

- 1 Lift the scanner unit.
- 2 Remove any obstruction keeping the scanner unit open.
- 3 Lower the scanner unit.

## Poor copy quality

These are some examples of poor copy quality:

- Blank pages
- Checkerboard pattern
- Distorted graphics or pictures
- Missing characters
- Faded print
- Dark print
- Skewed lines
- Smudges
- Streaks
- Unexpected characters
- White lines in print

These are possible solutions. Try one or more of the following:

### CHECK THE DISPLAY FOR ERROR MESSAGES

Clear any error messages.

### THE TONER MAY BE LOW

When **88 Cartridge low** appears or when the print becomes faded, replace the print cartridge.

### THE SCANNER GLASS MAY BE DIRTY

Clean the scanner glass with a clean, lint-free cloth dampened with water. For more information, see “Cleaning the scanner glass” on page 199.

### THE COPY IS TOO LIGHT OR TOO DARK

Adjust the density of the copy.

### CHECK THE QUALITY OF THE ORIGINAL DOCUMENT

Make sure the quality of the original document is satisfactory.

### CHECK THE DOCUMENT PLACEMENT

Make sure the document or photo is loaded facedown on the scanner glass in the upper left corner.

### UNWANTED TONER IS IN THE BACKGROUND

- Increase the background removal setting.
- Adjust the darkness to a lighter setting.



### **PATTERNS (MOIRÉ) APPEAR IN THE OUTPUT**

- On the Copy screen, select the Text/Photo or Printed Image icon.
- Rotate the original document on the scanner glass.
- On the Copy screen, adjust the scale setting.

### **TEXT IS LIGHT OR DISAPPEARING**

- On the Copy screen, touch the Text icon.
- Decrease the background removal setting.
- Increase the contrast setting.
- Decrease the shadow detail setting.

### **THE OUTPUT APPEARS WASHED OUT OR OVEREXPOSED**

- On the Copy screen, select the Printed Image icon.
- Decrease the background removal setting.

## **Partial document or photo copies**

These are possible solutions. Try one or more of the following:

### **CHECK THE DOCUMENT PLACEMENT**

Make sure the document or photo is loaded facedown on the scanner glass in the upper left corner.

### **CHECK THE PAPER SIZE SETTING**

Make sure the paper size setting matches the paper loaded in the tray:

- 1** From the printer control panel, check the Paper Size setting from the Paper menu.
- 2** Before sending the job to print, specify the correct size setting:
  - For Windows users, specify the size from Print Properties.
  - For Macintosh users, specify the size from the Page Setup dialog.

## **Solving scanner problems**

### **Checking an unresponsive scanner**

If your scanner is not responding, then make sure:

- The printer is turned on.
- The printer cable is securely attached to the printer and the host computer, print server, option, or other network device.
- The power cord is plugged into the printer and a properly grounded electrical outlet.
- The electrical outlet is not turned off by any switch or breaker.

- The printer is not plugged into any surge protectors, uninterrupted power supplies, or extension cords.
- Other electrical equipment plugged into the outlet is working.

Once you have checked each of these possibilities, turn the printer off and then back on. This often fixes the problem with the scanner.

## **Scan was not successful**

These are possible solutions. Try one or more of the following:

### **CHECK THE CABLE CONNECTIONS**

Make sure the network or USB cable is securely connected to the computer and the printer.

### **AN ERROR MAY HAVE OCCURRED IN THE PROGRAM**

Turn off and then restart the computer.

## **Scanning takes too long or freezes the computer**

These are possible solutions. Try one or more of the following:

### **OTHER SOFTWARE PROGRAMS MAY BE INTERFERING WITH SCANNING**

Close all programs not being used.

### **THE SCAN RESOLUTION MAY BE SET TOO HIGH**

Select a lower scan resolution.

## **Poor scanned image quality**

These are possible solutions. Try one or more of the following:

### **CHECK THE DISPLAY FOR ERROR MESSAGES**

Clear any error messages.

### **THE SCANNER GLASS MAY BE DIRTY**

Clean the scanner glass with a clean, lint-free cloth dampened with water. For more information, see “Cleaning the scanner glass” on page 199.

### **ADJUST THE SCAN RESOLUTION**

Increase the resolution of the scan for a higher quality output.

### **CHECK THE QUALITY OF THE ORIGINAL DOCUMENT**

Make sure the quality of the original document is satisfactory.

## CHECK THE DOCUMENT PLACEMENT

Make sure the document or photo is loaded facedown on the scanner glass in the upper left corner.

## Partial document or photo scans

These are possible solutions. Try one or more of the following:

### CHECK THE DOCUMENT PLACEMENT

Make sure the document or photo is loaded facedown on the scanner glass in the upper left corner.

### CHECK THE PAPER SIZE SETTING

Make sure the paper size setting matches the paper loaded in the tray:

- 1 From the printer control panel, check the Paper Size setting from the Paper menu.
- 2 Before sending the job to print, specify the correct size setting:
  - For Windows users, specify the size from Print Properties.
  - For Macintosh users, specify the size from the Page Setup dialog.

## Cannot scan from a computer

These are possible solutions. Try one or more of the following:

### CHECK THE DISPLAY FOR ERROR MESSAGES

Clear any error messages.

### CHECK THE POWER

Make sure the printer is plugged in, the power is on, and **Ready** appears.

### CHECK THE CABLE CONNECTIONS

Make sure the network or USB cable is securely connected to the computer and the printer.

## Solving fax problems

### Caller ID is not shown

Contact your telecommunications company to verify that your telephone line is subscribed to the caller ID service.

If your region supports multiple caller ID patterns, you may have to change the default setting. There are two settings available: FSK (pattern 1) and DTMF (pattern 2). The availability of these settings by way of the Fax menu depends on whether your country or region supports multiple caller ID patterns. Contact your telecommunications company to determine which pattern or switch setting to use.

## Cannot send or receive a fax

These are possible solutions. Try one or more of the following:

### CHECK THE DISPLAY FOR ERROR MESSAGES

Clear any error messages.

### CHECK THE POWER

Make sure the printer is plugged in, the power is on, and **Ready** appears.

### CHECK THE PRINTER CONNECTIONS

Make sure the cable connections for the following hardware are secure, if applicable:

- Telephone
- Handset
- Answering machine

### CHECK THE TELEPHONE WALL JACK

- 1 Plug a telephone into the wall jack.
- 2 Listen for a dial tone.
- 3 If you do not hear a dial tone, then plug a different telephone into the wall jack.
- 4 If you still do not hear a dial tone, then plug a telephone into a different wall jack.
- 5 If you hear a dial tone, then connect the printer to that wall jack.

### REVIEW THIS DIGITAL PHONE SERVICE CHECKLIST

The fax modem is an analog device. Certain devices can be connected to the printer so that digital telephone services can be used.

- If you are using an ISDN telephone service, then connect the printer to an analog telephone port (an R-interface port) on an ISDN terminal adapter. For more information and to request an R-interface port, contact your ISDN provider.
- If you are using DSL, then connect to a DSL filter or router that will support analog use. For more information, contact your DSL provider.
- If you are using a PBX telephone service, then make sure you are connecting to an analog connection on the PBX. If none exists, consider installing an analog telephone line for the fax machine.

### CHECK FOR A DIAL TONE

- Place a test call to the telephone number to which you want to send a fax to make sure that it is working correctly.
- If the telephone line is being used by another device, then wait until the other device is finished before sending a fax.
- If you are using the On Hook Dial feature, then turn up the volume to verify a dial tone.

## TEMPORARILY DISCONNECT OTHER EQUIPMENT

To ensure the printer is working correctly, connect it directly to the telephone line. Disconnect any answering machines, computers with modems, or telephone line splitters.

## CHECK FOR JAMS

Clear any jams, and then make sure that **Ready** appears.

## TEMPORARILY DISABLE CALL WAITING

Call Waiting can disrupt fax transmissions. Disable this feature before sending or receiving a fax. Call your telephone company to obtain the keypad sequence for temporarily disabling Call Waiting.

## VOICE MAIL SERVICE MAY BE INTERFERING WITH THE FAX TRANSMISSION

Voice Mail offered through your local telephone company may disrupt fax transmissions. To enable both Voice Mail and the printer to answer calls, you may want to consider adding a second telephone line for the printer.

## THE PRINTER MEMORY MAY BE FULL

- 1 Dial the fax number.
- 2 Scan the original document one page at a time.

## Can send but not receive faxes

These are possible solutions. Try one or more of the following:

### CHECK TO SEE IF THE PAPER TRAY IS EMPTY

Load paper in the tray.

### CHECK THE RING COUNT DELAY SETTINGS

The ring count delay sets the number of times the phone line rings before the printer answers. If you have extension phones on the same line as the printer, or subscribe to the telephone company's Distinctive Ring service, then keep the Ring Delay setting at 4.

- 1 Type the printer IP address into the address field of your Web browser.  
**Note:** If you do not know the IP address of the printer, then print a network setup page and locate the IP address in the TCP/IP section.
- 2 Click **Settings**.
- 3 Click **Fax Settings**.
- 4 Click **Analog Fax Setup**.
- 5 In the Rings to Answer box, enter the number of times you want the phone to ring before answering.
- 6 Click **Submit**.

## THE TONER MAY BE LOW

**88 Cartridge low** appears when the toner is low.

## Can receive but not send faxes

These are possible solutions. Try one or more of the following:

### THE PRINTER IS NOT IN FAX MODE

On the home screen, touch **Fax** to put the printer in Fax mode.

### THE DOCUMENT IS NOT LOADED PROPERLY

Load the original document faceup, short edge first into the ADF or facedown on the scanner glass in the upper left corner.

**Note:** Do not load postcards, photos, small items, transparencies, photo paper, or thin media (such as magazine clippings) into the ADF. Place these items on the scanner glass.

### MAKE SURE THE SHORTCUT NUMBER IS SET UP PROPERLY

- Check to make sure the shortcut number has been programmed for the number that you want to dial.
- As an alternative, dial the telephone number manually.

## Received fax has poor print quality

These are possible solutions. Try one or more of the following:

### RE-SEND THE DOCUMENT

Ask the person who sent you the fax to:

- Check that the quality of the original document is satisfactory.
- Resend the fax. There may have been a problem with the quality of the telephone line connection.
- Increase the fax scan resolution, if possible.

### THE TONER MAY BE LOW

When **88 Cartridge low** appears or when you experience faded print, replace the cartridge.

### MAKE SURE THE FAX TRANSMISSION SPEED IS NOT SET TOO HIGH

Decrease the incoming fax transmission speed:

- 1 Type the printer IP address into the address field of your Web browser.

**Note:** If you do not know the IP address of the printer, then print a network setup page and locate the IP address in the TCP/IP section.

- 2 Click **Settings**.
- 3 Click **Fax Settings**.

- 4 Click **Analog Fax Setup**.
- 5 In the Max Speed box, click on one of the following:
  - 2400**
  - 4800**
  - 9600**
  - 14400**
  - 33600**
- 6 Click **Submit**.

## Solving option problems

### Option does not operate correctly or quits after it is installed

These are possible solutions. Try one or more of the following:

#### RESET THE PRINTER

Turn the printer off, wait for about 10 seconds, and then turn the printer on.

#### CHECK TO SEE IF THE OPTION IS CONNECTED TO THE PRINTER

- 1 Turn the printer off.
- 2 Unplug the printer from the wall outlet.
- 3 Check the connection between the option and the printer.

#### MAKE SURE THE OPTION IS INSTALLED

Print a menu settings page and check to see if the option is listed in the Installed Options list. If the option is not listed, then reinstall it.

#### MAKE SURE THE OPTION IS AVAILABLE IN THE PRINTER DRIVER

It may be necessary to manually add the option in the printer driver to make it available for print jobs. For more information, see "Updating available options in the printer driver" on page 39.

#### MAKE SURE THE OPTION IS SELECTED

From the program you are using, select the option. Mac OS 9 users should make sure the printer is set up in the Chooser.

## Paper tray problems

Try one or more of the following:

### **MAKE SURE THE PAPER IS LOADED CORRECTLY**

- 1 Open the paper tray.
- 2 Check for paper jams or misfeeds.
- 3 Make sure the paper guides are aligned against the edges of the paper.
- 4 Make sure the paper tray closes properly.

### **RESET THE PRINTER**

Turn the printer off, wait about 10 seconds, and then turn the printer on.

### **MAKE SURE THE PAPER TRAY IS INSTALLED CORRECTLY**

If the paper tray is listed on the menu settings page, but paper jams when it enters or exits the tray, then it may not be properly installed. Reinstall the paper tray. For more information, see the hardware setup documentation that came with the paper tray, or go to <http://support.lexmark.com> to view the paper tray instruction sheet.

## Solving 2,000-sheet drawer problems

Try one or more of the following:

### **THE ELEVATOR TRAY IS NOT WORKING PROPERLY**

- Make sure the printer is properly connected to the 2,000-sheet drawer.
- Make sure the printer is turned on.
- Make sure that the power cord is plugged firmly into the back of the 2,000-sheet drawer.
- If the tray is empty, then load paper in the tray.
- Clear any jams.

### **THE PAPER FEED ROLLERS DO NOT TURN TO ADVANCE PAPER**

- Make sure the printer is properly connected to the 2,000-sheet drawer.
- Make sure the printer is turned on.

### **THE PAPER CONSISTENTLY JAMS IN THE DRAWER**

- Flex the paper.
- Make sure the drawer is properly installed.
- Make sure paper is loaded correctly.
- Make sure the paper or specialty media meets specifications and is not damaged.
- Make sure the guides are positioned correctly for the paper size loaded.



## Memory card

Make sure the memory card is securely connected to the printer system board.

## Flash memory card

Make sure the flash memory card is securely connected to the printer system board.

## Hard disk with adapter

Make sure the hard disk is securely connected to the printer system board.

## Internal Solutions Port

If the Lexmark Internal Solutions Port (ISP) does not operate correctly, then these are possible solutions. Try one or more of the following:

### CHECK THE ISP CONNECTIONS

- Make sure the ISP is securely attached to the printer system board.
- Make sure the cable is securely connected to the correct connector.

### CHECK THE CABLE

Make sure you are using the correct cable and that it is securely connected.

### MAKE SURE THE NETWORK SOFTWARE IS CONFIGURED CORRECTLY

For information about installing software for network printing, see the *Networking Guide* on the *Software and Documentation CD*

## Internal print server

If the internal print server does not operate correctly, these are possible solutions. Try one or more of the following:

### CHECK THE PRINT SERVER CONNECTIONS

- Make sure the internal print server is attached securely to the printer system board.
- Make sure you are using the correct (optional) cable and that it is securely connected.

### MAKE SURE THE NETWORK SOFTWARE IS CONFIGURED CORRECTLY

For information about installing software for network printing, click **Additional** on the *Software and Documentation CD*, and then select the **Networking Guide** link under **Publications on this CD**.

## USB/parallel interface card

Check the USB/parallel interface card connections:

- Make sure the USB/parallel interface card is securely connected to the printer system board.
- Make sure you are using the correct cable and that it is securely connected.

## Solving paper feed problems

### Paper frequently jams

These are possible solutions. Try one or more of the following:

#### CHECK THE PAPER

Use recommended paper and specialty media. For more information, see the chapter about paper and specialty media guidelines.

#### MAKE SURE THERE IS NOT TOO MUCH PAPER IN THE PAPER TRAY

Make sure the stack of paper you load does not exceed the maximum stack height indicated in the tray or on the multipurpose feeder.

#### CHECK THE PAPER GUIDES

Move the guides in the tray to the correct positions for the paper size loaded.

#### THE PAPER MAY HAVE ABSORBED MOISTURE DUE TO HIGH HUMIDITY

- Load paper from a fresh package.
- Store paper in its original wrapper until you use it.

## Paper jam message remains after jam is cleared


#### CHECK THE PAPER PATH


The paper path is not clear. Clear jammed paper from the entire paper path, and then touch **Continue**.

## Page that jammed does not reprint after you clear the jam

#### TURN ON JAM RECOVERY

In the Setup menu, Jam Recovery is set to Off. Set Jam Recovery to Auto or On:



- 1 Make sure the printer is on and **Ready** appears.
- 2 On the home screen, touch .
- 3 Touch **Settings**.

- 4 Touch **General Settings**.
- 5 Touch the down arrow until **Print Recovery** appears.
- 6 Touch **Print Recovery**.
- 7 Touch the right arrow next to **Jam Recovery** until **On** or **Auto** appears.
- 8 Touch **Submit**.
- 9 Touch .

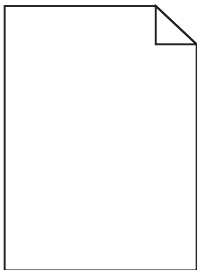
## Solving print quality problems

### Isolating print quality problems

To help isolate print quality problems, print the print quality test pages:

- 1 Turn the printer off.
- 2 Load Letter- or A4-size paper in the tray.
- 3 Hold down  and  while turning the printer on.
- 4 Release the buttons when the screen with the progress bar appears.  
The printer performs a power-on sequence, and then the Configuration menu appears.
- 5 Touch the down arrow until **Print Quality Pages** appears.
- 6 Touch **Print Quality Pages**.  
The print quality test pages print.
- 7 Touch **Back**.
- 8 Touch **Exit Configuration**.

### Blank pages



These are possible solutions. Try one or more of the following:

#### **PACKING MATERIAL MAY BE ON THE TONER CARTRIDGE**

Remove the toner cartridge and make sure the packing material is properly removed. Reinstall the toner cartridge.

## THE TONER MAY BE LOW

When **88 Cartridge Low** appears, order a new toner cartridge.

If the problem continues, the printer may need to be serviced. For more information, contact Customer Support.

## Clipped images

Try one or more of the following:

### CHECK THE GUIDES

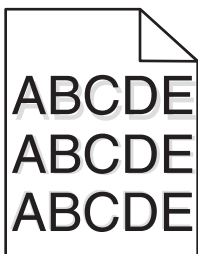
Move the width and length guides in the tray to the correct positions for the paper size loaded.

### CHECK THE PAPER SIZE SETTING

Make sure the paper size setting matches the paper loaded in the tray:

- 1 From the printer control panel Paper menu, check the Paper Size setting.
- 2 Before sending the job to print, specify the correct size setting:
  - For Windows users, specify the size from Print Properties.
  - For Macintosh users, specify the size from the Page Setup dialog.

## Ghost images

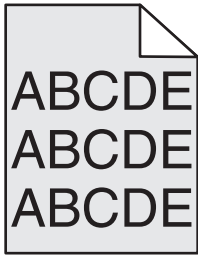


### CHECK THE PAPER TYPE SETTING

Make sure the paper type setting matches the paper loaded in the tray:

- 1 From the printer control panel Paper menu, check the Paper Type setting.
- 2 Before sending the job to print, specify the correct type setting:
  - For Windows users, specify the type from Print Properties.
  - For Macintosh users, specify the type from the Print dialog.

## Gray background

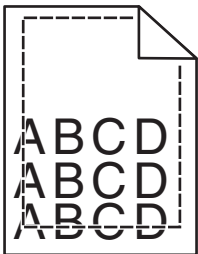


### CHECK THE TONER DARKNESS SETTING

Select a lighter Toner Darkness setting:

- From the printer control panel, change the setting from the Quality menu.
- For Windows users, change the setting from Print Properties.
- For Macintosh users, change the setting from the Print dialog.

## Incorrect margins



These are possible solutions. Try one or more of the following:

### CHECK THE PAPER GUIDES

Move the guides in the tray to the correct positions for the paper size loaded.

### CHECK THE PAPER SIZE SETTING

Make sure the paper size setting matches the paper loaded in the tray:

- 1 From the printer control panel Paper menu, check the Paper Size setting.
- 2 Before sending the job to print, specify the correct size setting:
  - For Windows users, specify the size from Print Properties.
  - For Macintosh users, specify the size from the Page Setup dialog.

## Paper curl

These are possible solutions. Try one or more of the following:

### CHECK THE PAPER TYPE SETTING

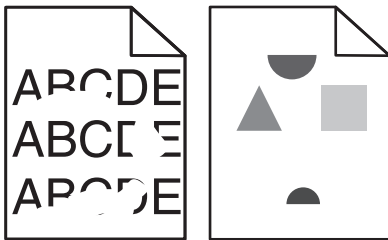
Make sure the paper type setting matches the paper loaded in the tray:

- 1 From the printer control panel Paper menu, check the Paper Type setting.
- 2 Before sending the job to print, specify the correct type setting:
  - For Windows users, specify the type from Print Properties.
  - For Macintosh users, specify the type from the Print dialog.

### THE PAPER HAS ABSORBED MOISTURE DUE TO HIGH HUMIDITY

- Load paper from a fresh package.
- Store paper in its original wrapper until you use it.

## Print irregularities



These are possible solutions. Try one or more of the following:

### THE PAPER MAY HAVE ABSORBED MOISTURE DUE TO HIGH HUMIDITY

- Load paper from a fresh package.
- Store paper in its original wrapper until you use it.

### CHECK THE PAPER TYPE SETTING

Make sure the paper type setting matches the paper loaded in the tray:

- 1 From the printer control panel Paper menu, check the Paper Type setting.
- 2 Before sending the job to print, specify the correct type setting:
  - For Windows users, specify the type from Print Properties.
  - For Macintosh users, specify the type from the Print dialog.

### CHECK THE PAPER

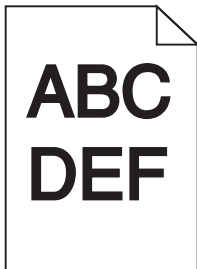
Avoid textured paper with rough finishes.

**THE TONER MAY BE LOW**

When **88 Cartridge Low** appears or when the print becomes faded, replace the toner cartridge.

**THE FUSER MAY BE WORN OR DEFECTIVE**

Replace the fuser.

**Print is too dark**

These are possible solutions. Try one or more of the following:

**CHECK THE DARKNESS, BRIGHTNESS, AND CONTRAST SETTINGS**

The Toner Darkness setting is too dark, the Brightness setting is too dark, or the Contrast setting is too high.

- Change these settings from the printer control panel Quality menu.
- For Windows users, change these settings from Print Properties.
- For Macintosh users, change these settings from the Print dialog and pop-up menus.

**THE PAPER HAS ABSORBED MOISTURE DUE TO HIGH HUMIDITY**

- Load paper from a fresh package.
- Store paper in its original wrapper until you use it.

**CHECK THE PAPER**

Avoid textured paper with rough finishes.

**CHECK THE PAPER TYPE SETTING**

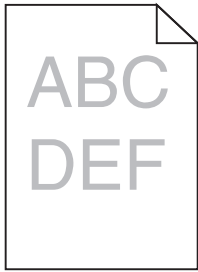
Make sure the paper type setting matches the paper loaded in the tray:

- 1 From the printer control panel Paper menu, check the Paper Type setting.
- 2 Before sending the job to print, specify the correct type setting:
  - For Windows users, specify the type from Print Properties.
  - For Macintosh users, specify the type from the Print dialog.

**THE TONER CARTRIDGE MAY BE DEFECTIVE**

Replace the toner cartridge.

## Print is too light



These are possible solutions. Try one or more of the following:

### CHECK THE DARKNESS, BRIGHTNESS, AND CONTRAST SETTINGS

The Toner Darkness setting is too light, the Brightness setting is too light, or the Contrast setting is too low.

- Change these settings from the printer control panel Quality menu.
- For Windows users, change these settings from Print Properties.
- For Macintosh users, change these settings from the Print dialog and pop-up menus.

### THE PAPER HAS ABSORBED MOISTURE DUE TO HIGH HUMIDITY

- Load paper from a fresh package.
- Store paper in its original wrapper until you use it.

### CHECK THE PAPER

Avoid textured paper with rough finishes.

### CHECK THE PAPER TYPE SETTING

Make sure the paper type setting matches the paper loaded in the tray:

- 1 From the printer control panel Paper menu, check the Paper Type setting.
- 2 Before sending the job to print, specify the correct type setting:
  - For Windows users, specify the type from Print Properties.
  - For Macintosh users, specify the type from the Print dialog.

### THE TONER IS LOW

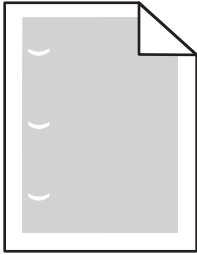
When **88 Cartridge Low** appears, order a new toner cartridge.

### THE TONER CARTRIDGE MAY BE DEFECTIVE

Replace the toner cartridge.



## Repeating defects



These are possible solutions. Try one or more of the following:

Replace the transfer roller if the defects occur every:

58.7 mm (2.31 in.)

Replace the photoconductor if the defects occur every:

44 mm (1.73 in.)

Replace the fuser if the defects occur every:

- 78.5 mm (3.09 in.)
- 94.2 mm (3.71 in.)

## Skewed print

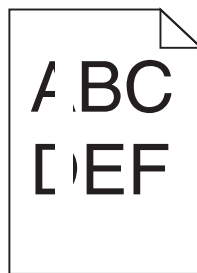
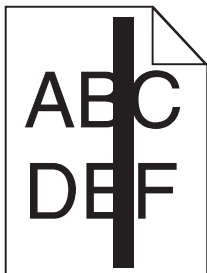
### CHECK THE PAPER GUIDES

Move the guides in the tray to the correct positions for the paper size loaded.

### CHECK THE PAPER

Make sure you are using paper that meets the printer specifications.

## Solid black or white streaks appear on transparencies or paper



These are possible solutions. Try one or more of the following:

### ENSURE THAT THE FILL PATTERN IS CORRECT

If the fill pattern is incorrect, choose a different fill pattern from your software program.

### CHECK THE PAPER TYPE

- Try a different type of paper.
- Use only the recommended transparencies.
- Ensure that the Paper Type setting matches what is loaded in the tray or feeder.
- Ensure that the Paper Texture setting is correct for the type of paper or specialty media loaded in the tray or feeder.

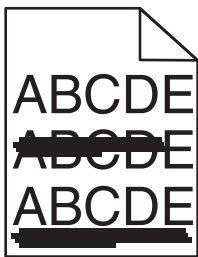
### ENSURE THAT THE TONER IS DISTRIBUTED EVENLY WITHIN THE TONER CARTRIDGE

Remove the toner cartridge and shake it from side to side to redistribute the toner, and then reinstall it.

### THE TONER CARTRIDGE MAY BE DEFECTIVE OR LOW ON TONER

Replace the used toner cartridge with a new one.

## Streaked horizontal lines



These are possible solutions. Try one or more of the following:

### THE TONER IS SMEARED

Select another tray or feeder to feed the paper for the job:

- From the printer control panel Paper Menu, select the Default Source.
- For Windows users, select the paper source from Print Properties.
- For Macintosh users, select the paper source from the Print dialog and pop-up menus.

### THE TONER CARTRIDGE MAY BE DEFECTIVE

Replace the toner cartridge.

### THE PAPER PATH MAY NOT BE CLEAR

Check the paper path around the toner cartridge.

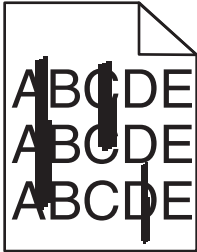


**CAUTION—HOT SURFACE:** The inside of the printer might be hot. To reduce the risk of injury from a hot component, allow the surface to cool before touching.

Clear any paper you see.

**THERE IS TONER IN THE PAPER PATH**

Contact Customer Support.

**Streaked vertical lines**

These are possible solutions. Try one or more of the following:

**THE TONER IS SMEARED**

Select another tray or feeder to feed paper for the job:

- From the printer control panel Paper Menu, select the Default Source.
- For Windows users, select the paper source from Print Properties.
- For Macintosh users, select the paper source from the Print dialog and pop-up menus.

**THE TONER CARTRIDGE IS DEFECTIVE**

Replace the toner cartridge.

**THE PAPER PATH MAY NOT BE CLEAR**

Check the paper path around the toner cartridge.



**CAUTION—HOT SURFACE:** The inside of the printer might be hot. To reduce the risk of injury from a hot component, allow the surface to cool before touching.

Clear any paper you see.

**THERE IS TONER IN THE PAPER PATH**

Contact Customer Support.

**Toner fog or background shading appears on the page**

These are possible solutions. Try one or more of the following:

**THE TONER CARTRIDGE MAY BE DEFECTIVE**

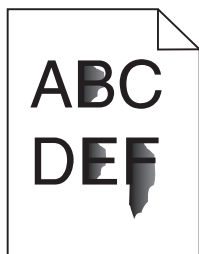
Replace the toner cartridge.

**THE CHARGE ROLLS MAY BE DEFECTIVE**

Replace the charge rolls.

**THERE IS TONER IN THE PAPER PATH**

Contact Customer Support.

**Toner rubs off**

These are possible solutions. Try one or more of the following:

**CHECK THE PAPER TYPE SETTING**

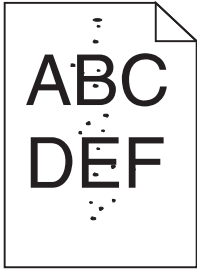
Make sure the paper type setting matches the paper loaded in the tray:

- 1** From the printer control panel Paper menu, check the Paper Type setting.
- 2** Before sending the job to print, specify the correct type setting:
  - For Windows users, specify the type from Print Properties.
  - For Macintosh users, specify the type from the Print dialog.

**CHECK THE PAPER TEXTURE SETTING**

From the printer control panel Paper menu, make sure the Paper Texture setting matches the paper loaded in the tray.

## Toner specks



These are possible solutions. Try one or more of the following:

### THE TONER CARTRIDGE MAY BE DEFECTIVE

Replace the toner cartridge.

### THERE IS TONER IN THE PAPER PATH

Contact Customer Support.

## Transparency print quality is poor

Try one or more of the following:

### CHECK THE TRANSPARENCIES

Use only transparencies recommended by the printer manufacturer.

### CHECK THE PAPER TYPE SETTING

Make sure the paper type setting matches the paper loaded in the tray:

- 1 From the printer control panel Paper menu, check the Paper Type setting.
- 2 Before sending the job to print, specify the correct type setting:
  - For Windows users, specify the type from Print Properties.
  - For Macintosh users, specify the type from the Print dialog.

## Contacting customer support

When you contact customer support, describe the problem you are experiencing, the printer control panel light sequence, and the troubleshooting steps you have already taken to find a solution.

You need to know your printer model type and serial number. For more information, see the label on the inside top front cover of the printer. The serial number is also listed on the menu settings page.

Lexmark has various ways to help you solve your printing problem. Visit the Lexmark Web site at <http://support.lexmark.com>, and then select one of the following:

<b>Tech Library</b>	You can browse our library of manuals, support documentation, drivers, and other downloads to help you solve common problems.
<b>E-mail</b>	You can send an e-mail to the Lexmark team, describing your problem. A service representative will respond and provide you with information to solve your problem.
<b>Live chat</b>	You can chat directly with a service representative. They can work with you to solve your printer problem or provide assistance through Assisted Service where the service representative can remotely connect to your computer through the Internet to troubleshoot problems, install updates, or complete other tasks to help you successfully use your Lexmark product.

Telephone support is also available. In the U.S. or Canada, call 1-800-539-6275. For other countries or regions, visit the Lexmark Web site at <http://support.lexmark.com>.

# Notices

## Product information

Product name:

Lexmark X86x Series

Machine type:

7500

Model(s):

432, 632, 832

## Edition notice

December 2012

**The following paragraph does not apply to any country where such provisions are inconsistent with local law:**  
LEXMARK INTERNATIONAL, INC., PROVIDES THIS PUBLICATION “AS IS” WITHOUT WARRANTY OF ANY KIND, EITHER EXPRESS OR IMPLIED, INCLUDING, BUT NOT LIMITED TO, THE IMPLIED WARRANTIES OF MERCHANTABILITY OR FITNESS FOR A PARTICULAR PURPOSE. Some states do not allow disclaimer of express or implied warranties in certain transactions; therefore, this statement may not apply to you.

This publication could include technical inaccuracies or typographical errors. Changes are periodically made to the information herein; these changes will be incorporated in later editions. Improvements or changes in the products or the programs described may be made at any time.

References in this publication to products, programs, or services do not imply that the manufacturer intends to make these available in all countries in which it operates. Any reference to a product, program, or service is not intended to state or imply that only that product, program, or service may be used. Any functionally equivalent product, program, or service that does not infringe any existing intellectual property right may be used instead. Evaluation and verification of operation in conjunction with other products, programs, or services, except those expressly designated by the manufacturer, are the user’s responsibility.

For Lexmark technical support, visit [support.lexmark.com](http://support.lexmark.com).

For information on supplies and downloads, visit [www.lexmark.com](http://www.lexmark.com).

If you don't have access to the Internet, you can contact Lexmark by mail:

Lexmark International, Inc.  
Bldg 004-2/CSC  
740 New Circle Road NW  
Lexington, KY 40550  
USA

© 2012 Lexmark International, Inc.

All rights reserved.

## GOVERNMENT END USERS

The Software Program and any related documentation are "Commercial Items," as that term is defined in 48 C.F.R. 2.101, "Computer Software" and "Commercial Computer Software Documentation," as such terms are used in 48 C.F.R. 12.212 or 48 C.F.R. 227.7202, as applicable. Consistent with 48 C.F.R. 12.212 or 48 C.F.R. 227.7202-1 through 227.7207-4, as applicable, the Commercial Computer Software and Commercial Software Documentation are licensed to the U.S. Government end users (a) only as Commercial Items and (b) with only those rights as are granted to all other end users pursuant to the terms and conditions herein.

## Trademarks

Lexmark, Lexmark with diamond design, MarkNet, and MarkVision are trademarks of Lexmark International, Inc., registered in the United States and/or other countries.

MarkTrack and PrintCryption are trademarks of Lexmark International, Inc.

PCL® is a registered trademark of the Hewlett-Packard Company. PCL is Hewlett-Packard Company's designation of a set of printer commands (language) and functions included in its printer products. This printer is intended to be compatible with the PCL language. This means the printer recognizes PCL commands used in various application programs, and that the printer emulates the functions corresponding to the commands.

Mac and the Mac logo are trademarks of Apple Inc., registered in the U.S. and other countries.

The following terms are trademarks or registered trademarks of these companies:

Albertus	The Monotype Corporation plc
Antique Olive	Monsieur Marcel OLIVE
Apple-Chancery	Apple Computer, Inc.
Arial	The Monotype Corporation plc
CG Times	Based on Times New Roman under license from The Monotype Corporation plc, is a product of Agfa Corporation
Chicago	Apple Computer, Inc.
Clarendon	Linotype-Hell AG and/or its subsidiaries
Eurostile	Nebiolo
Geneva	Apple Computer, Inc.
GillSans	The Monotype Corporation plc
Helvetica	Linotype-Hell AG and/or its subsidiaries
Hoefler	Jonathan Hoefler Type Foundry
ITC Avant Garde Gothic	International Typeface Corporation
ITC Bookman	International Typeface Corporation
ITC Mona Lisa	International Typeface Corporation
ITC Zapf Chancery	International Typeface Corporation
Joanna	The Monotype Corporation plc
Marigold	Arthur Baker



Monaco	Apple Computer, Inc.
New York	Apple Computer, Inc.
Oxford	Arthur Baker
Palatino	Linotype-Hell AG and/or its subsidiaries
Stempel Garamond	Linotype-Hell AG and/or its subsidiaries
Taffy	Agfa Corporation
Times New Roman	The Monotype Corporation plc
Univers	Linotype-Hell AG and/or its subsidiaries

All other trademarks are the property of their respective owners.

AirPrint and the AirPrint logo are trademarks of Apple, Inc.

### Federal Communications Commission (FCC) compliance information statement

This product has been tested and found to comply with the limits for a Class A digital device, pursuant to Part 15 of the FCC Rules. Operation is subject to the following two conditions: (1) this device may not cause harmful interference, and (2) this device must accept any interference received, including interference that may cause undesired operation.

The FCC Class A limits are designed to provide reasonable protection against harmful interference when the equipment is operated in a commercial environment. This equipment generates, uses, and can radiate radio frequency energy and, if not installed and used in accordance with the instruction manual, may cause harmful interference to radio communications. Operation of this equipment in a residential area is likely to cause harmful interference, in which case the user will be required to correct the interference at his own expense.

The manufacturer is not responsible for any radio or television interference caused by using other than recommended cables or by unauthorized changes or modifications to this equipment. Unauthorized changes or modifications could void the user's authority to operate this equipment.

**Note:** To assure compliance with FCC regulations on electromagnetic interference for a Class A computing device, use a properly shielded and grounded cable such as Lexmark part number 1021231 for parallel attach or 1021294 for USB attach. Use of a substitute cable not properly shielded and grounded may result in a violation of FCC regulations.

### Modular component notice

This product contains the following modular component(s):

FCC ID: E46HFD1; Industry Canada IC: 4423B-HFD1

### Noise emission levels

The following measurements were made in accordance with ISO 7779 and reported in conformance with ISO 9296.

**Note:** Some modes may not apply to your product.

1-meter average sound pressure, dBA	
Printing	53 dBA

1-meter average sound pressure, dBA	
Ready	32 dBA

Values are subject to change. See [www.lexmark.com](http://www.lexmark.com) for current values.

### Temperature information

Ambient temperature	15–32° C (60–90° F)
Shipping temperature	-40–60° C (-40–140° F)
Storage temperature	1–60° C (34–140° F)

### Waste from Electrical and Electronic Equipment (WEEE) directive



The WEEE logo signifies specific recycling programs and procedures for electronic products in countries of the European Union. We encourage the recycling of our products. If you have further questions about recycling options, visit the Lexmark Web site at [www.lexmark.com](http://www.lexmark.com) for your local sales office phone number.

### Product disposal

Do not dispose of the printer or supplies in the same manner as normal household waste. Consult your local authorities for disposal and recycling options.

### ENERGY STAR

Any Lexmark product bearing the ENERGY STAR emblem on the product or on a start-up screen is certified to comply with Environmental Protection Agency (EPA) ENERGY STAR requirements as configured when shipped by Lexmark.



## Laser notice

The printer is certified in the U.S. to conform to the requirements of DHHS 21 CFR, Chapter I, Subchapter J for Class I (1) laser products, and elsewhere is certified as a Class I laser product conforming to the requirements of IEC 60825-1.

Class I laser products are not considered to be hazardous. The printer contains internally a Class IIIb (3b) laser that is nominally a 7 milliwatt gallium arsenide laser operating in the wavelength of 655-675 nanometers. The laser system and printer are designed so there is never any human access to laser radiation above a Class I level during normal operation, user maintenance, or prescribed service condition.

## Laser advisory label

A laser notice label may be affixed to this printer as shown:

DANGER - Invisible laser radiation when cartridges are removed and interlock defeated. Avoid exposure to laser beam.

PERIGO - Radiação a laser invisível será liberada se os cartuchos forem removidos e o lacre rompido. Evite a exposição aos feixes de laser.

Opasnost - Nevidljivo lasersko zračenje kada su kasete uklonjene i poništena sigurnosna veza. Izbjegavati izlaganje zracima.

NEBEZPEČÍ - Když jsou vyjmuty kazety a je odblokována pojistka, ze zařízení je vysíláno neviditelné laserové záření. Nevystavujte se působení laserového paprsku.

FARE - Usynlig laserstråling, når patroner fjernes, og spærreanordningen er slået fra. Undgå at blive udsat for laserstrålen.

GEVAAR - Onzichtbare laserstraling wanneer cartridges worden verwijderd en een vergrendeling wordt genegeerd. Voorkom blootstelling aan de laser.

DANGER - Rayonnements laser invisibles lors du retrait des cartouches et du déverrouillage des loquets. Eviter toute exposition au rayon laser.

VAARA - Näkymättömät lasersäteilyä on varottava, kun värikasetit on poistettu ja lukitus on auki. Vältä lasersäteelle altistumista.

GEFAHR - Unsichtbare Laserstrahlung beim Herausnehmen von Druckkassetten und offener Sicherheitssperre. Laserstrahl meiden.

KΙΝΔΥΝΟΣ - Εκλυση αόρατης ακτινοβολίας laser κατά την αφαίρεση των κασετών και την απασφάλιση της μανδάλωσης. Αποφεύγετε την έκθεση στην ακτινοβολία laser.

VESZÉLY - Nem látható lézersugárzás fordulhat elő a patronok eltávolításakor és a zárószervezet felbontásakor. Kerülje a lézersugárnak való kitettséget.

PERICOLO - Emissione di radiazioni laser invisibili durante la rimozione delle cartucce e del blocco. Evitare l'esposizione al raggio laser.

FARE – Usynlig laserstråling når kassetene tas ut og sperren er satt ut av spill. Unngå eksponering for laserstrålen.

NIEBEZPIECZEŃSTWO - niewidzialne promieniowanie laserowe podczas usuwania kaset i blokady. Należy unikać naświetlenia promieniem lasera.

ОПАСНО! Невидимое лазерное излучение при извлеченных картриджах и снятии блокировки. Избегайте воздействия лазерных лучей.

Pozor – Nebezpečnostvo neviditeľného laserového žiarenia pri odobratých kazetách a odblokovanej poistke. Nevystavujte sa lúčom.

PELIGRO: Se producen radiaciones láser invisibles al extraer los cartuchos con el interbloqueo desactivado. Evite la exposición al haz de láser.

FARA – Osynlig laserstrålning när patroner tas ur och spärrmekanismen är upphävd. Undvik exponering för laserstrålen.

危険 - 当移除碳粉盒及互锁失效时会产生看不见的激光辐射, 请避免暴露在激光光束下。

危険 - 移除碳粉匣與安全連續開關失效時會產生看不見的雷射輻射。請避免曝露在雷射光束下。

危険 - カートリッジが取り外され、内部ロックが無効になると、見えないレーザー光が放射されます。このレーザー光に当たらないようにしてください。

## Power consumption

### Product power consumption

The following table documents the power consumption characteristics of the product.

**Note:** Some modes may not apply to your product.

Mode	Description	Power consumption (Watts)
Printing	The product is generating hard-copy output from electronic inputs.	730 W (X860), 800 W (X862), 830 W (X864)
Copying	The product is generating hard-copy output from hard-copy original documents.	800 W (X860), 840 W (X862/X864)
Scanning	The product is scanning hard-copy documents.	200 W

Mode	Description	Power consumption (Watts)
Ready	The product is waiting for a print job.	160 W
Standby	The product is in a high energy-saving mode.	90 W
Power Saver	The product is in a low energy-saving mode.	22 W
Off	The product is plugged into a wall outlet, but the power switch is turned off.	0.5 W

The power consumption levels listed in the previous table represent time-averaged measurements. Instantaneous power draws may be substantially higher than the average.

Values are subject to change. See [www.lexmark.com](http://www.lexmark.com) for current values.

**Power Saver**

This product is designed with an energy-saving mode called Power Saver. The Power Saver Mode is equivalent to the EPA Sleep Mode. The Power Saver Mode saves energy by lowering power consumption during extended periods of inactivity. The Power Saver Mode is automatically engaged after this product is not used for a specified period of time, called the Power Saver Timeout.

Factory default Power Saver Timeout for this product (in minutes):	1 (X860), 5 (X862), 60 (X864)
--	-------------------------------

**Off mode**

If this product has an off mode which still consumes a small amount of power, then to completely stop product power consumption, disconnect the power supply cord from the wall outlet.

**Total energy usage**

It is sometimes helpful to calculate the total product energy usage. Since power consumption claims are provided in power units of Watts, the power consumption should be multiplied by the time the product spends in each mode in order to calculate energy usage. The total product energy usage is the sum of each mode's energy usage.

**European Community (EC) directives conformity**

This product is in conformity with the protection requirements of EC Council directives 2004/108/EC and 2006/95/EC on the approximation and harmonization of the laws of the Member States relating to electromagnetic compatibility and safety of electrical equipment designed for use within certain voltage limits.

The manufacturer of this product is: Lexmark International, Inc., 740 West New Circle Road, Lexington, KY, 40550 USA. The authorized representative is: Lexmark International Technology Hungária Kft., 8 Lechner Ödön fasor, Millennium Tower III, 1095 Budapest HUNGARY, A declaration of conformity to the requirements of the Directives is available upon request from the Authorized Representative.

This product satisfies the Class A limits of EN 55022 and safety requirements of EN 60950.

**Industry Canada compliance statement**

This Class A digital apparatus meets all requirements of the Canadian Interference-Causing Equipment Standard ICES-003.

## Avis de conformité aux normes de l'industrie du Canada

Cet appareil numérique de classe A est conforme aux exigences de la norme canadienne relative aux équipements pouvant causer des interférences NMB-003.

## Radio interference notice

### Warning

This is a product that complies with the emission requirements of EN55022 Class A limits and immunity requirements of EN55024. This product is not intended to be used in residential/domestic environments.

This is a Class A product. In a domestic environment, this product may cause radio interference, in which case the user may be required to take adequate measures.

## CCC EMC notice

### 声明

此为 A 级产品，在生活环境中，该产品可能会造成无线电干扰。在这种情况下，可能需要用户对其干扰采取切实可行的措施。

## BSMI EMC notice

**This is a CNS-13438 EMC Class A product. Please be aware of the notice below:**

Warning to user:

This is a Class A ITE. In a residential area, this product may cause radio interference, in which case the user may be required to take adequate measures.

## Regulatory notices for telecommunication terminal equipment

This section contains regulatory information pertaining to products that contain telecommunication terminal equipment such as facsimile.

## Notice to users of the US telephone network: FCC requirements

This equipment complies with Part 68 of the FCC rules and the requirements adopted by the Administrative Council for Terminal Attachments (ACTA). On the back of this equipment is a label that contains, among other information, a product identifier in the format US:AAAEQ##TXXXX. If requested, this number must be provided to your telephone company.

This equipment uses the RJ-11C Universal Service Order Code (USOC) jack.

A plug and jack used to connect this equipment to the premises' wiring and telephone network must comply with the applicable FCC Part 68 rules and requirements adopted by the ACTA. A compliant telephone cord and modular plug is provided with this product. It is designed to be connected to a compatible modular jack that is also compliant. See your setup documentation for more information.

The Ringer Equivalence Number (REN) is used to determine the number of devices that may be connected to a telephone line. Excessive RENs on a telephone line may result in the devices not ringing in response to an incoming call. In most but not all areas, the sum of RENs should not exceed five (5.0). To be certain of the number of devices that may be connected to a line, as determined by the total RENs, contact your local telephone company. For products approved after July 23, 2001, the REN for this product is part of the product identifier that has the format US:AAAEQ##TXXXX. The digits represented by ## are the REN without a decimal point (for example, 03 is a REN of 0.3). For earlier products, the REN is shown separately on the label.

If this equipment causes harm to the telephone network, the telephone company will notify you in advance that temporary discontinuance of service may be required. If advance notice is not practical, the telephone company will notify the customer as soon as possible. You will also be advised of your right to file a complaint with the FCC.

The telephone company may make changes in its facilities, equipment, operations or procedures that could affect the operation of this equipment. If this happens, the telephone company will provide advance notice in order for you to make necessary modifications to maintain uninterrupted service.

If you experience trouble with this equipment, for repair or warranty information, contact Lexmark International, Inc. at [www.lexmark.com](http://www.lexmark.com) or your Lexmark representative. If the equipment is causing harm to the telephone network, the telephone company may request that you disconnect the equipment until the problem is resolved.

This equipment contains no user serviceable parts. For repair and warranty information, contact Lexmark International, Inc. See the previous paragraph for contact information.

Connection to party line service is subject to state tariffs. Contact the state public utility commission, public service commission, or corporation commission for information.

If your home has specially wired alarm equipment connected to the telephone line, ensure the installation of this equipment does not disable your alarm equipment. If you have questions about what will disable alarm equipment, consult your telephone company or a qualified installer.

Telephone companies report that electrical surges, typically lightning transients, are very destructive to customer terminal equipment connected to AC power sources. This has been identified as a major nationwide problem. It is recommended that the customer install an appropriate AC surge arrester in the AC outlet to which this device is connected. An appropriate AC surge arrester is defined as one that is suitably rated, and certified by UL (Underwriter's Laboratories), another NRTL (Nationally Recognized Testing Laboratory), or a recognized safety certification body in the country/region of use. This is to avoid damage to the equipment caused by local lightning strikes and other electrical surges.

The Telephone Consumer Protection Act of 1991 makes it unlawful for any person to use a computer or other electronic device, including fax machines, to send any message unless said message clearly contains in a margin at the top or bottom of each transmitted page or on the first page of the transmission, the date and time it is sent and an identification of the business or other entity, or other individual sending the message, and the telephone number of the sending machine or such business, other entity, or individual. (The telephone number provided may not be a 900 number or any other number for which charges exceed local or long-distance transmission charges.)

See your user documentation in order to program this information into your fax machine.

## **South Africa telecommunications notice**

This modem must be used in conjunction with an approved surge protection device when connected to the PSTN.

## **Notice to users of the Canadian telephone network**

This product meets the applicable Industry Canada technical specifications. The Ringer Equivalence Number (REN) is an indication of the maximum number of terminals allowed to be connected to a telephone interface. The terminus of

an interface may consist of any combination of devices, subject only to the requirement that the sum of the RENs of all the devices does not exceed five. The modem REN is located on the rear of the equipment on the product labeling.

Telephone companies report that electrical surges, typically lightning transients, are very destructive to customer terminal equipment connected to AC power sources. This has been identified as a major nationwide problem. It is recommended that the customer install an appropriate AC surge arrester in the AC outlet to which this device is connected. An appropriate AC surge arrester is defined as one that is suitably rated, and certified by UL (Underwriter's Laboratories), another NRTL (Nationally Recognized Testing Laboratory), or a recognized safety certification body in the country/region of use. This is to avoid damage to the equipment caused by local lightning strikes and other electrical surges.

This equipment uses CA11A telephone jacks.

### **Avis réservé aux utilisateurs du réseau téléphonique du Canada**

Ce produit est conforme aux spécifications techniques d'Industrie Canada. Le numéro REN (ringer equivalence number : numéro d'équivalence de sonnerie) fournit une indication du nombre maximum de terminaux pouvant être connectés à l'interface téléphonique. En bout de ligne, le nombre d'appareils qui peuvent être connectés n'est pas directement limité, mais la somme des REN de ces appareils ne doit pas dépasser cinq. Le numéro REN du modem est indiqué sur l'étiquette produit située à l'arrière de l'équipement.

Les compagnies de téléphone constatent que les surtensions électriques, en particulier celles dues à la foudre, entraînent d'importants dégâts sur les terminaux privés connectés à des sources d'alimentation CA. Il s'agit-là d'un problème majeur d'échelle nationale. En conséquence, il vous est recommandé de brancher un parasurtenseur dans la prise de courant à laquelle l'équipement est connecté. Utilisez un parasurtenseur répondant à des caractéristiques nominales satisfaisantes et certifié par le laboratoire d'assureurs UL (Underwriter's Laboratories), un autre laboratoire agréé de type NRTL (Nationally Recognized Testing Laboratory) ou un organisme de certification agréé dans votre région ou pays. Ceci prévient tout endommagement de l'équipement causé par les orages et autres surtensions électriques.

Cet équipement utilise des prises de téléphone CA11A.

### **Notice to users of the New Zealand telephone network**

The following are special conditions for the Facsimile User Instructions. The grant of a telepermit for any item of terminal equipment indicates only that Telecom has accepted that the item complies with minimum conditions for connection to its network. It indicates no endorsement of the product by Telecom, nor does it provide any sort of warranty. Above all, it provides no assurance that any item will work correctly in all respects with another item of telepermitted equipment of a different make or model, nor does it imply that any product is compatible with all of Telecom's network services.

This equipment shall not be set up to make automatic calls to the Telecom's 111 Emergency Service.

This equipment may not provide for the effective hand-over of a call to another device connected to the same line.

This equipment should not be used under any circumstances that may constitute a nuisance to other Telecom customers.

Some parameters required for compliance with Telecom's telepermit requirements are dependent on the equipment associated with this device. The associated equipment shall be set to operate within the following limits for compliance to Telecom's specifications:

- There shall be no more than 10 call attempts to the same number within any 30 minute period for any single manual call initiation, and
- The equipment shall go on-hook for a period of not less than 30 seconds between the end of one attempt and the beginning of the next call attempt.

- The equipment shall be set to ensure that automatic calls to different numbers are spaced such that there is not less than 5 seconds between the end of one call attempt and the beginning of another.

## Using this product in Switzerland

This product requires a Swiss billing tone filter (Lexmark part number 14B5109 or 80D1877) to be installed on any line which receives metering pulses in Switzerland. The Lexmark filter must be used, as metering pulses are present on all analog telephone lines in Switzerland.

## Utilisation de ce produit en Suisse

Cet appareil nécessite l'utilisation d'un filtre de tonalité de facturation suisse (n° de référence Lexmark : 14B5109 ou 80D1877) devant être installé sur toute ligne recevant des impulsions de comptage en Suisse. Ce filtre doit être utilisé pour toute installation car ces impulsions existent sur toutes les lignes téléphoniques suisses.

## Verwendung dieses Produkts in der Schweiz

Für dieses Produkt muss ein schweizerischer Billing Tone Filter zur Zählzeichenübertragung (Lexmark Teilenummer 14B5109 oder 80D1877) für jede Leitung installiert werden, über die in der Schweiz Zeitsteuertakte übertragen werden. Die Verwendung des Lexmark Filters ist obligatorisch, da in allen analogen Telefonleitungen in der Schweiz Zeitsteuertakte vorhanden sind.

## Uso del prodotto in Svizzera

Questo prodotto richiede un filtro toni Billing svizzero, (codice Lexmark 14B5109 o 80D1877) da installare su tutte le linee che ricevono impulsi remoti in Svizzera. È necessario utilizzare il filtro Lexmark poiché gli impulsi remoti sono presenti su tutte le linee analogiche in Svizzera.

## Notice to Users in the European Union

Products bearing the CE mark are in conformity with the protection requirements of EC Council directives 2004/108/EC, 2006/95/EC, and 1999/5/EC on the approximation and harmonization of the laws of the Member States relating to electromagnetic compatibility, safety of electrical equipment designed for use within certain voltage limits and on radio equipment and telecommunications terminal equipment.

Compliance is indicated by the CE marking.



The manufacturer of this product is: Lexmark International, Inc., 740 West New Circle Road, Lexington, KY, 40550 USA. The authorized representative is: Lexmark International Technology Hungária Kft., 8 Lechner Ödön fasor, Millennium Tower III, 1095 Budapest HUNGARY, A declaration of conformity to the requirements of the Directives is available upon request from the Authorized Representative.

Refer to the table at the end of the Notices section for further compliance information.



## Regulatory notices for wireless products

This section contains the following regulatory information pertaining to wireless products that contain transmitters, for example, but not limited to, wireless network cards or proximity card readers.

### Exposure to radio frequency radiation

The radiated output power of this device is far below the radio frequency exposure limits of the FCC and other regulatory agencies. A minimum separation of 20 cm (8 inches) must be maintained between the antenna and any persons for this device to satisfy the RF exposure requirements of the FCC and other regulatory agencies.

### Notice to users in Brazil

Este equipamento opera em caráter secundário, isto é, não tem direito a proteção contra interferência prejudicial, mesmo de estações do mesmo tipo, e não pode causar interferência a sistemas operando em caráter primário. (Res. ANATEL 282/2001).

### Industry Canada (Canada)

This device complies with Industry Canada specification RSS-210. Operation is subject to the following two conditions: (1) this device may not cause interference, and (2) this device must accept any interference, including interference that may cause undesired operation of the device.

This device has been designed to operate only with the antenna provided. Use of any other antenna is strictly prohibited per regulations of Industry Canada.

To prevent radio interference to the licensed service, this device is intended to be operated indoors and away from windows to provide maximum shielding. Equipment (or its transmit antenna) that is installed outdoors is subject to licensing.

The installer of this radio equipment must ensure that the antenna is located or pointed such that it does not emit RF fields in excess of Health Canada limits for the general population; consult Safety Code 6, obtainable from Health Canada's Web site [www.hc-sc.gc.ca/rpb](http://www.hc-sc.gc.ca/rpb).

The term "IC:" before the certification/registration number only signifies that the Industry Canada technical specifications were met.

### Industry Canada (Canada)

Cet appareil est conforme à la norme RSS-210 d'Industry Canada. Son fonctionnement est soumis aux deux conditions suivantes :

(1) cet appareil ne doit pas provoquer d'interférences et (2) il doit accepter toute interférence reçue, y compris celles risquant d'altérer son fonctionnement.

Cet appareil a été conçu pour fonctionner uniquement avec l'antenne fournie. L'utilisation de toute autre antenne est strictement interdite par la réglementation d'Industry Canada.

En application des réglementations d'Industry Canada, l'utilisation d'une antenne de gain supérieur est strictement interdite.

Pour empêcher toute interférence radio au service faisant l'objet d'une licence, cet appareil doit être utilisé à l'intérieur et loin des fenêtres afin de garantir une protection optimale.

Si le matériel (ou son antenne d'émission) est installé à l'extérieur, il doit faire l'objet d'une licence.

L'installateur de cet équipement radio doit veiller à ce que l'antenne soit implantée et dirigée de manière à n'émettre aucun champ HF dépassant les limites fixées pour l'ensemble de la population par Santé Canada. Reportez-vous au Code de sécurité 6 que vous pouvez consulter sur le site Web de Santé Canada [www.hc-sc.gc.ca/rpb](http://www.hc-sc.gc.ca/rpb).

Le terme « IC » précédant le numéro de d'accréditation/inscription signifie simplement que le produit est conforme aux spécifications techniques d'Industry Canada.

## Taiwan NCC RF notice statement

### NCC型式認證設備注意事項 台灣低功率射頻電機設備之使用注意事項

經型式認證合格之低功率射頻電機，非經許可，公司、商號或使用者均不得擅自變更頻率、加大功率或變更原設計之特性及功能。

低功率射頻電機之使用不得影響飛航安全及干擾合法通信；經發現有干擾現象時，應立即停用，並改善至無干擾時方得繼續使用。前項合法通信，指依電信規定作業之無線電信。低功率射頻電機須忍受合法通信或工業、科學及醫療用電波輻射性電機設備之干擾。

## India emissions notice

This device uses very low power low range RF communication that has been tested and found not to cause any interference whatsoever. The manufacturer is not responsible in case of any disputes arising out of requirement of permissions from any local authority, regulatory bodies or any organization, required by the end-user to install and operate this product at his premises.

### भारतीय उत्सर्जन सूचना

यह यंत्र बहुत ही कम शक्ति, कम रेंज के RF कम्युनिकेशन का प्रयोग करता है जिसका परीक्षण किया जा चुका है, और यह पाया गया है कि यह किसी भी प्रकार का व्यंथान उत्पन्न नहीं करता। इसके अंतिम प्रयोक्ता द्वारा इस उत्पाद को अपने प्रांगण में स्थापित एवं संचालित करने हेतु किसी स्थानीय प्राधिकरण, नियामक निकायों या किसी संगठन से अनुज्ञा प्राप्त करने की जरूरत के संबंध में उठे विवाद की स्थिति में विनिर्माता जिम्मेदार नहीं है।

## Notice to users in the European Union

This product is in conformity with the protection requirements of EC Council directives 2004/108/EC, 2006/95/EC and 2005/32/EC on the approximation and harmonization of the laws of the Member States relating to electromagnetic compatibility, safety of electrical equipment designed for use within certain voltage limits and the ecodesign of energy-using products.

Compliance is indicated by the CE marking.



The manufacturer of this product is: Lexmark International, Inc., 740 West New Circle Road, Lexington, KY, 40550 USA. The authorized representative is: Lexmark International Technology Hungária Kft., 8 Lechner Ödön fasor, Millennium Tower III, 1095 Budapest HUNGARY, A declaration of conformity to the requirements of the Directives is available upon request from the Authorized Representative.

This product satisfies the Class A limits of EN 55022 and safety requirements of EN 60950.

Products equipped with 2.4GHz Wireless LAN option are in conformity with the protection requirements of EC Council directives 2004/108/EC, 2006/95/EC, and 1999/5/EC on the approximation and harmonization of the laws of the Member States relating to electromagnetic compatibility, safety of electrical equipment designed for use within certain voltage limits and on radio equipment and telecommunications terminal equipment.

Compliance is indicated by the CE marking.



Operation is allowed in all EU and EFTA countries, but is restricted to indoor use only.

The manufacturer of this product is: Lexmark International, Inc., 740 West New Circle Road, Lexington, KY, 40550 USA. The authorized representative is: Lexmark International Technology Hungária Kft., 8 Lechner Ödön fasor, Millennium Tower III, 1095 Budapest HUNGARY, A declaration of conformity to the requirements of the Directives is available upon request from the Authorized Representative.

This product may be used in the countries indicated in the table below.

AT	BE	BG	CH	CY	CZ	DE	DK	EE
EL	ES	FI	FR	HR	HU	IE	IS	IT
LI	LT	LU	LV	MT	NL	NO	PL	PT
RO	SE	SI	SK	TR	UK			

Česky	Společnost Lexmark International, Inc. tímto prohlašuje, že výrobek tento výrobek je ve shodě se základními požadavky a dalšími příslušnými ustanoveními směrnice 1999/5/ES.
Dansk	Lexmark International, Inc. erklærer herved, at dette produkt overholder de væsentlige krav og øvrige relevante krav i direktiv 1999/5/EF.
Deutsch	Hiermit erklärt Lexmark International, Inc., dass sich das Gerät dieses Gerät in Übereinstimmung mit den grundlegenden Anforderungen und den übrigen einschlägigen Bestimmungen der Richtlinie 1999/5/EG befindet.
Ελληνική	ΜΕ ΤΗΝ ΠΑΡΟΥΣΑ Η LEXMARK INTERNATIONAL, INC. ΔΗΛΩΝΕΙ ΟΤΙ ΑΥΤΟ ΤΟ ΠΡΟΪΟΝ ΣΥΜΜΟΡΦΩΝΕΤΑΙ ΠΡΟΣ ΤΙΣ ΟΥΣΙΩΔΕΙΣ ΑΠΑΙΤΗΣΕΙΣ ΚΑΙ ΤΙΣ ΛΟΙΠΕΣ ΣΧΕΤΙΚΕΣ ΔΙΑΤΑΞΕΙΣ ΤΗΣ ΟΔΗΓΙΑΣ 1999/5/ΕΚ.
English	Hereby, Lexmark International, Inc., declares that this type of equipment is in compliance with the essential requirements and other relevant provisions of Directive 1999/5/EC.
Español	Por medio de la presente, Lexmark International, Inc. declara que este producto cumple con los requisitos esenciales y cualesquiera otras disposiciones aplicables o exigibles de la Directiva 1999/5/CE.
Eesti	Käesolevaga kinnitab Lexmark International, Inc., et seade see toode vastab direktiivi 1999/5/EÜ põhinõuetele ja nimetatud direktiivist tulenevatele muudele asjakohastele sätetele.
Suomi	Lexmark International, Inc. vakuuttaa täten, että tämä tuote on direktiivin 1999/5/EY oleellisten vaatimusten ja muiden sitä koskevien direktiivin ehtojen mukainen.
Français	Par la présente, Lexmark International, Inc. déclare que l'appareil ce produit est conforme aux exigences fondamentales et autres dispositions pertinentes de la directive 1999/5/CE.
Magyar	Alulírott, Lexmark International, Inc. nyilatkozom, hogy a termék megfelel a vonatkozó alapvető követelményeknek és az 1999/5/EC irányelv egyéb előírásainak.

Íslenska	Hér með lýsir Lexmark International, Inc. yfir því að þessi vara er í samræmi við grunnkröfur og aðrar kröfur, sem gerðar eru í tilskipun 1999/5/EC.
Italiano	Con la presente Lexmark International, Inc. dichiara che questo prodotto è conforme ai requisiti essenziali ed alle altre disposizioni pertinenti stabilite dalla direttiva 1999/5/CE.
Latviski	Ar šo Lexmark International, Inc. deklarē, ka šis izstrādājums atbilst Direktīvas 1999/5/EK būtiskajām prasībām un citiem ar to saistītajiem noteikumiem.
Lietuvių	Šiuo Lexmark International, Inc. deklaruoja, kad šis produktas atitinka esminius reikalavimus ir kitas 1999/5/EB direktyvos nuostatas.
Malti	Bil-preżenti, Lexmark International, Inc., jiddikjara li dan il-prodott huwa konformi mal-ftigijiet essenzjali u ma dispożizzjonijiet oħrajn relevanti li jinsabu fid-Direttiva 1999/5/KE.
Nederlands	Hierbij verklaart Lexmark International, Inc. dat het toestel dit product in overeenstemming is met de essentiële eisen en de andere relevante bepalingen van richtlijn 1999/5/EG.
Norsk	Lexmark International, Inc. erklærer herved at dette produktet er i samsvar med de grunnleggende krav og øvrige relevante krav i direktiv 1999/5/EF.
Polski	Niniejszym Lexmark International, Inc. oświadcza, że niniejszy produkt jest zgodny z zasadniczymi wymogami oraz pozostałymi stosownymi postanowieniami Dyrektywy 1999/5/EC.
Português	A Lexmark International Inc. declara que este produto está conforme com os requisitos essenciais e outras disposições da Diretiva 1999/5/CE.
Slovensky	Lexmark International, Inc. týmto vyhlasuje, že tento produkt spĺňa základné požiadavky a všetky príslušné ustanovenia smernice 1999/5/ES.
Slovensko	Lexmark International, Inc. izjavlja, da je ta izdelek v skladu z bistvenimi zahtevami in ostalimi relevantnimi določili direktive 1999/5/ES.
Svenska	Härmed intygar Lexmark International, Inc. att denna produkt står i överensstämmelse med de väsentliga egenskapskrav och övriga relevanta bestämmelser som framgår av direktiv 1999/5/EG.

## STATEMENT OF LIMITED WARRANTY FOR LEXMARK LASER PRINTERS, LEXMARK LED PRINTERS, AND LEXMARK MULTIFUNCTION LASER PRINTERS

### Lexmark International, Inc., Lexington, KY

This limited warranty applies to the United States and Canada. For customers outside the U.S., refer to the country-specific warranty information that came with your product.

This limited warranty applies to this product only if it was originally purchased for your use, and not for resale, from Lexmark or a Lexmark Remarketer, referred to in this statement as “Remarketer.”

### Limited warranty

Lexmark warrants that this product:

- Is manufactured from new parts, or new and serviceable used parts, which perform like new parts
- Is, during normal use, free from defects in material and workmanship

If this product does not function as warranted during the warranty period, contact a Remarketer or Lexmark for repair or replacement (at Lexmark's option).

If this product is a feature or option, this statement applies only when that feature or option is used with the product for which it was intended. To obtain warranty service, you may be required to present the feature or option with the product.

If you transfer this product to another user, warranty service under the terms of this statement is available to that user for the remainder of the warranty period. You should transfer proof of original purchase and this statement to that user.

### **Limited warranty service**

The warranty period starts on the date of original purchase as shown on the purchase receipt and ends 12 months later provided that the warranty period for any supplies and for any maintenance items included with the printer shall end earlier if it, or its original contents, are substantially used up, depleted, or consumed. Fuser Units, Transfer/Transport Units, Paper Feed items, if any, and any other items for which a Maintenance Kit is available are substantially consumed when the printer displays a "Life Warning" or "Scheduled Maintenance" message for such item.

To obtain warranty service you may be required to present proof of original purchase. You may be required to deliver your product to the Remarketer or Lexmark, or ship it prepaid and suitably packaged to a Lexmark designated location. You are responsible for loss of, or damage to, a product in transit to the Remarketer or the Lexmark designated location.

When warranty service involves the exchange of a product or part, the item replaced becomes the property of the Remarketer or Lexmark. The replacement may be a new or repaired item.

The replacement item assumes the remaining warranty period of the original product.

Replacement is not available to you if the product you present for exchange is defaced, altered, in need of a repair not included in warranty service, damaged beyond repair, or if the product is not free of all legal obligations, restrictions, liens, and encumbrances.

As part of your warranty service and/or replacement, Lexmark may update the firmware in your printer to the latest version. Firmware updates may modify printer settings and cause counterfeit and/or unauthorized products, supplies, parts, materials (such as toners and inks), software, or interfaces to stop working. Authorized use of genuine Lexmark products will not be impacted.

Before you present this product for warranty service, remove all print cartridges, programs, data, and removable storage media (unless directed otherwise by Lexmark).

For further explanation of your warranty alternatives and the nearest Lexmark authorized servicer in your area contact Lexmark on the World Wide Web.

Remote technical support is provided for this product throughout its warranty period. For products no longer covered by a Lexmark warranty, technical support may not be available or only be available for a fee.

### **Extent of limited warranty**

Lexmark does not warrant uninterrupted or error-free operation of any product or the durability or longevity of prints produced by any product.

Warranty service does not include repair of failures caused by:

- Modification or unauthorized attachments
- Accidents, misuse, abuse or use inconsistent with Lexmark user's guides, manuals, instructions or guidance
- Unsuitable physical or operating environment
- Maintenance by anyone other than Lexmark or a Lexmark authorized servicer
- Operation of a product beyond the limit of its duty cycle

- Use of printing media outside of Lexmark specifications
- Refurbishment, repair, refilling or remanufacture by a third party of products, supplies or parts
- Products, supplies, parts, materials (such as toners and inks), software, or interfaces not furnished by Lexmark

**TO THE EXTENT PERMITTED BY APPLICABLE LAW, NEITHER LEXMARK NOR ITS THIRD PARTY SUPPLIERS OR REMARKETERS MAKE ANY OTHER WARRANTY OR CONDITION OF ANY KIND, WHETHER EXPRESS OR IMPLIED, WITH RESPECT TO THIS PRODUCT, AND SPECIFICALLY DISCLAIM THE IMPLIED WARRANTIES OR CONDITIONS OF MERCHANTABILITY, FITNESS FOR A PARTICULAR PURPOSE, AND SATISFACTORY QUALITY. ANY WARRANTIES THAT MAY NOT BE DISCLAIMED UNDER APPLICABLE LAW ARE LIMITED IN DURATION TO THE WARRANTY PERIOD. NO WARRANTIES, EXPRESS OR IMPLIED, WILL APPLY AFTER THIS PERIOD. ALL INFORMATION, SPECIFICATIONS, PRICES, AND SERVICES ARE SUBJECT TO CHANGE AT ANY TIME WITHOUT NOTICE.**

### **Limitation of liability**

Your sole remedy under this limited warranty is set forth in this document. For any claim concerning performance or nonperformance of Lexmark or a Remarketer for this product under this limited warranty, you may recover actual damages up to the limit set forth in the following paragraph.

Lexmark's liability for actual damages from any cause whatsoever will be limited to the amount you paid for the product that caused the damages. This limitation of liability will not apply to claims by you for bodily injury or damage to real property or tangible personal property for which Lexmark is legally liable. **IN NO EVENT WILL LEXMARK BE LIABLE FOR ANY LOST PROFITS, LOST SAVINGS, INCIDENTAL DAMAGE, OR OTHER ECONOMIC OR CONSEQUENTIAL DAMAGES.** This is true even if you advise Lexmark or a Remarketer of the possibility of such damages. Lexmark is not liable for any claim by you based on a third party claim.

This limitation of remedies also applies to claims against any Suppliers and Remarketers of Lexmark. Lexmark's and its Suppliers' and Remarketers' limitations of remedies are not cumulative. Such Suppliers and Remarketers are intended beneficiaries of this limitation.

### **Additional rights**

Some states do not allow limitations on how long an implied warranty lasts, or do not allow the exclusion or limitation of incidental or consequential damages, so the limitations or exclusions contained above may not apply to you.

This limited warranty gives you specific legal rights. You may also have other rights that vary from state to state.

### **Patent acknowledgment**

The use of this product or service is subject to the reasonable, non-discriminatory terms in the Intellectual Property Rights (IPR) Disclosure of Certicom Corp. at the IETF for Elliptic Curve Cryptography (ECC) Cipher Suites for Transport Layer Security (TLS) implemented in the product or service.

The use of this product or service is subject to the reasonable, non-discriminatory terms in the Intellectual Property Rights (IPR) Disclosure of Certicom Corp. at the IETF for TLS Elliptic Curve Cipher Suites with SHA-256/382 and AES Galois Counter Mode (GCM) implemented in the product or service.

The use of this product or service is subject to the reasonable, non-discriminatory terms in the Intellectual Property Rights (IPR) Disclosure of Certicom Corp. at the IETF for TLS Suite B Profile for Transport Layer Security (TLS) implemented in the product or service.

The use of this product or service is subject to the reasonable, non-discriminatory terms in the Intellectual Property Rights (IPR) Disclosure of Certicom Corp. at the IETF for Addition of the Camellia Cipher Suites to Transport Layer Security (TLS) implemented in the product or service.

The use of certain patents in this product or service is subject to the reasonable, non-discriminatory terms in the Intellectual Property Rights (IPR) Disclosure of Certicom Corp. at the IETF for AES-CCM ECC Cipher Suites for TLS implemented in the product or service.

The use of this product or service is subject to the reasonable, non-discriminatory terms in the Intellectual Property Rights (IPR) Disclosure of Certicom Corp. at the IETF for IKE and IKEv2 Authentication Using the Elliptic Curve Digital Signature Algorithm (ECDSA) implemented in the product or service.

The use of this product or service is subject to the reasonable, non-discriminatory terms in the Intellectual Property Rights (IPR) Disclosure of Certicom Corp. at the IETF for Suite B Cryptographic Suites for IPsec implemented in the product or service.

The use of this product or service is subject to the reasonable, non-discriminatory terms in the Intellectual Property Rights (IPR) Disclosure of Certicom Corp. at the IETF for Algorithms for Internet Key Exchange version 1 (IKEv1) implemented in the product or service.

# Index

## Numerics

1,150--sheet tray  
 loading 58  
 1565 Emulation error, load emulation option 233  
 2,000-sheet dual input trays  
 installing 35  
 loading 58  
 2,000-sheet high capacity feeder  
 installing 35  
 2000-sheet high capacity feeder  
 loading 56  
 298.01 Scanner Missing 233  
 30 Invalid refill, change cartridge 226  
 31.yy Replace defective or missing cartridge 227  
 32 Cartridge part number unsupported by device 227  
 34 Incorrect media, check <input src> guides 227  
 34 Short paper 227  
 35 Insufficient memory to support Resource Save feature 227  
 37 Insufficient memory for Flash Memory Defragment operation 228  
 37 Insufficient memory to collate job 227  
 37 Insufficient memory, some Held Jobs were deleted 228  
 37 Insufficient memory, some held jobs will not be restored 228  
 38 Memory full 228  
 39 Complex page, some data may not have printed 228  
 50 PPDS font error 228  
 500-sheet tray (standard or optional)  
 loading 53  
 500-sheet trays  
 installing 35  
 51 Defective flash detected 229  
 52 Not enough free space in flash memory for resources 229  
 53 Unformatted flash detected 229  
 54 Network <x> software error 229  
 54 Serial option <x> error 229

54 Standard network software error 229  
 55 Unsupported option in slot 230  
 56 Parallel port <x> disabled 230  
 56 Serial port <x> disabled 230  
 56 Standard parallel port disabled 230  
 56 Standard USB port disabled 230  
 56 USB port <x> disabled 231  
 57 Configuration change, held jobs were not restored 231  
 58 Too many bins attached 231  
 58 Too many disks installed 231  
 58 Too many flash options installed 231  
 58 Too many trays attached 232  
 61 Remove defective disk 232  
 62 Disk full 232  
 63 Unformatted disk 232  
 80 Routine maintenance needed 232  
 84 Insert photoconductor 232  
 84 Photoconductor abnormal 233  
 84 Photoconductor low 233  
 84 Replace photoconductor 233  
 850-sheet tray  
 loading 58  
 88 Cartridge low 233  
 88 Replace cartridge to continue 233

## Symbols

“scan to computer” screen options 126, 127, 128

## A

Active NIC menu 142  
 address book, fax  
 using 113  
 ADF  
 copying using 85  
 adjusting toner darkness 84  
 An error has occurred with the flash drive 218  
 AppleTalk menu 148  
 attaching cables 36  
 Automatic Document Feeder (ADF) 13

## B

Bin Setup menu 139  
 Booklet Adjustments menu 195  
 brightness, adjusting 215  
 buttons, home screen 15  
 buttons, printer control panel 14  
 buttons, touch screen 17

## C

cables  
 Ethernet 36  
 USB 36  
 canceling  
 print job, from computer 81  
 canceling a job  
 from the printer control panel 81  
 canceling a print job  
 from a computer 81  
 card stock  
 loading 60  
 tips 76  
 Change <input src> to <Custom String> 218  
 Change <input src> to <Custom String> load <orientation> 219  
 Change <input src> to <Custom Type Name> 218  
 Change <input src> to <Custom Type Name> load <orientation> 218  
 Change <input src> to <size> 219  
 Change <input src> to <size> load <orientation> 219  
 Change <input src> to <type> <size> 219  
 Change <input src> to <type> <size> load <orientation> 220  
 Check <input src> guides 220  
 Check <input src> orientation or guides 220  
 checking an unresponsive printer 217  
 checking an unresponsive scanner 265  
 checking device status  
 on Embedded Web Server 215  
 checking virtual display  
 on Embedded Web Server 214



- cleaning
    - exterior of the printer 198
    - scanner glass 199
  - cleaning kit
    - ordering 202
  - clearing jams
    - 289 staple error 251
  - Close cover <x> 220
  - Close door <x> 220
  - Close surface H 220
  - collating copies 90
  - color documents
    - e-mailing 102
  - Confidential print jobs 77
    - printing from Macintosh computer 78
    - printing from Windows 77
  - Confidential Print menu 151
  - configuration information
    - wireless network 40
  - configurations
    - printer 11
  - Configure MP menu 133
  - configuring port settings 48
  - configuring the e-mail settings 99
  - connecting the printer to
    - distinctive ring service 108
    - regional adapters 109
  - conservation settings
    - Power Saver 22
    - Quiet Mode 22
  - conserving supplies 200
  - contacting customer support 285
  - control panel, printer 14
  - copy quality
    - adjusting 89
    - improving 97
  - copy screen
    - options 94, 95
  - Copy Settings menu 158
  - copy troubleshooting
    - copier does not respond 263
    - partial document or photo copies 265
    - poor copy quality 264
    - poor scanned image quality 266
    - scanner unit does not close 263
  - copying
    - adding a date and time stamp 92
    - adding an overlay message 93
    - adjusting quality 89
    - canceling a copy job 93
  - collating copies 90
  - custom job (job build) 92
  - document containing mixed paper
    - sizes 88
  - enlarging 89
    - from one size to another 87
    - improving copy quality 97
    - making transparencies 86
    - multiple pages on one sheet 91
    - on both sides of the paper (duplexing) 89
    - photos 86
    - placing separator sheets between copies 90
    - quick copy 85
    - reducing 89
    - selecting a tray 87
    - to letterhead 87
    - using the ADF 85
    - using the scanner glass (flatbed) 86
  - Custom Bin Names menu 138
  - Custom Names menu 137
  - custom paper type
    - assigning 63
  - Custom Scan Sizes menu 138
  - Custom Type <x>
    - changing name 63
  - Custom Types menu 137
  - customer support
    - contacting 285
- D**
- date and time
    - setting 110
  - Default Source menu 130
  - directory list, printing 80
  - Disk corrupted 221
  - Disk Full - Scan Job Canceled 221
  - Disk Wiping menu 152
  - display troubleshooting
    - display is blank 217
    - display shows only diamonds 217
  - display, printer control panel 14
    - adjusting brightness 215
  - distinctive ring service
    - connecting to 108
  - documents, printing
    - for Macintosh users 72
    - for Windows users 72
  - duplex unit
    - installing 35
  - duplexing 89
- E**
- Embedded Web Server 214
    - administrator settings 214
    - checking device status 215
    - does not open 217
    - networking settings 214
    - setting up e-mail alerts 215
  - Embedded Web Server Administrator's Guide 214
  - emission
    - notices 289, 292, 293, 297, 298
  - Empty hole punch box 221
  - enlarging a copy 89
  - envelopes
    - loading 60
    - tips 75
  - environmental settings
    - Power Saver 22
    - Quiet Mode 22
  - Ethernet network setup
    - using Macintosh 45
    - using Windows 45
  - Ethernet networking
    - Macintosh 45
    - Windows 45
  - Ethernet port 36
  - exterior of the printer
    - cleaning 198
  - e-mail
    - canceling 102
    - notice of low supply level 215
    - notice of paper jam 215
    - notice of paper needed 215
    - notice that different paper is needed 215
  - e-mail function
    - setting up 98
  - e-mail screen
    - advanced options 104
    - options 102, 103
  - E-mail Settings menu 171
  - e-mailing
    - adding message line 101
    - adding subject line 101
    - changing output file type 101
    - color documents 102
    - configuring the e-mail settings 99
    - creating shortcuts using the Embedded Web Server 99

- creating shortcuts using the touch screen 99
  - setting up e-mail function 98
  - using shortcut numbers 100
  - using the address book 100
  - using the touch screen 100
- F**
- factory defaults, restoring
    - printer control panel menus 216
  - fax connection
    - connecting the printer to the wall jack 107
    - connecting to a DSL line 107
    - connecting to a PBX or ISDN 108
  - fax connections
    - distinctive ring service 108
    - regional adapters 109
  - Fax memory full 221
  - Fax Mode (Analog Fax Setup) menu 162
  - Fax Mode (Fax Server Setup) menu 170
  - fax quality, improving 117
  - fax screen
    - advanced options 117
    - options 116, 117
  - Fax server 'To Format' not set up. Contact system administrator. 221
  - Fax Station Name not set up 221
  - Fax Station Number not set up 221
  - fax troubleshooting
    - blocking junk faxes 115
    - caller ID is not shown 267
    - can receive but not send faxes 270
    - can send but not receive faxes 269
    - cannot send or receive a fax 268
    - received fax has poor print quality 270
  - faxing
    - canceling a fax job 115, 116
    - changing resolution 114
    - choosing a fax connection 106
    - creating shortcuts using the Embedded Web Server 111, 112
    - creating shortcuts using the touch screen 112
    - fax setup 105
    - forwarding faxes 118
    - holding faxes 118
    - improving fax quality 117
    - making a fax lighter or darker 114
    - sending a fax at a scheduled time 114
    - sending using the computer 111
    - sending using the printer control panel 110
    - setting the date and time 110
    - setting the outgoing fax name and number 110
    - using shortcuts 113
    - using the address book 113
    - viewing a fax log 115
  - FCC notices 289, 293, 297
  - finding more information about the printer 9
  - finisher
    - finishing features 82
    - supported paper sizes 82
  - Finishing menu 186
  - firmware card
    - installing 29
  - flash drive 79
  - Flash Drive menu 179
  - flash memory card
    - installing 29
    - troubleshooting 273
  - font sample list
    - printing 80
  - forwarding faxes 118
  - FTP
    - address book 121
    - FTP quality, improving 124
    - FTP screen
      - advanced options 123
      - options 122, 123
    - FTP Settings menu 176
- G**
- General Settings menu 154
  - green settings
    - Power Saver 22
- H**
- hard disk
    - installing 31
  - hard disk with adapter
    - troubleshooting 273
  - held jobs 77
    - printing from Macintosh computer 78
    - printing from Windows 77
  - Help menu 196
  - holding faxes 118
  - home screen
    - buttons 15
  - HTML menu 194
- I**
- Image menu 195
  - Insert Tray <x> 222
  - installing on a wireless network
    - using Windows 41
  - installing options
    - order of installation 34
  - installing printer
    - on wireless network 41
  - installing printer on a network
    - Ethernet networking 45
  - installing printer on a wireless network
    - using Macintosh 42
  - installing printer software
    - adding options 39
  - installing printer software (Windows) 38
  - internal print server
    - installing 30
    - troubleshooting 273
  - Internal Solutions Port
    - changing port settings 48
    - troubleshooting 273
  - IPv6 menu 147
- J**
- jams
    - avoiding 233
    - locating jam areas 234
    - locations 234
    - numbers 234
  - jams, clearing
    - 200–201 236
    - 202 237
    - 203 238
    - 230 238
    - 231 238
    - 24x 244
    - 250 248
    - 280–281 248
    - 282 248
    - 283 251
    - 284 254

285–286 254  
 287–288 254  
 290–294 257  
 293 259

## L

labels, paper  
   tips 76  
 letterhead  
   copying to 87  
   loading, 2000-sheet high capacity  
     feeder 56  
   loading, multipurpose tray 73  
   loading, trays 73  
   tips 73  
 letterhead, printing on  
   for Macintosh users 73  
   for Windows users 73  
 LexLink menu 149  
 light, indicator 14  
 linking trays 62  
 Load <input src> with <Custom  
 String> 222  
 Load <input src> with <Custom  
 Type Name> 222  
 Load <input src> with <size> 223  
 Load <input src> with <type>  
 <size> 222  
 Load <src> with <x> 222  
 Load Manual Feeder with <Custom  
 String> 223  
 Load Manual Feeder with <Custom  
 Type Name> 223  
 Load Manual Feeder with  
 <size> 224  
 Load Manual Feeder with <type>  
 <size> 224  
 Load manual feeder with <x> 223  
 Load Staples 224  
 loading  
   1,150-sheet tray 58  
   2,000-sheet dual input trays 58  
   2000-sheet high capacity  
     feeder 56  
   500-sheet tray (standard or  
     optional) 53  
   850-sheet tray 58  
   card stock 60  
   envelopes 60  
   letter or A4 size 62  
   letterhead in 2000-sheet high  
     capacity feeder 56

letterhead in multipurpose  
   tray 73  
 letterhead in trays 73  
 multipurpose feeder 60  
 transparencies 60

## M

maintenance kit  
   ordering 201  
 memory card  
   installing 27  
   troubleshooting 273  
 Memory full, cannot print  
 faxes 224  
 menu settings page  
   printing 37  
 menus  
   Active NIC 142  
   AppleTalk 148  
   Bin Setup 139  
   Booklet Adjustments 195  
   Confidential Print 151  
   Configure MP 133  
   Copy Settings 158  
   Custom Bin Names 138  
   Custom Names 137  
   Custom Scan Sizes 138  
   Custom Types 137  
   Default Source 130  
   diagram of 129  
   Disk Wiping 152  
   E-mail Settings 171  
   Fax Mode (Analog Fax Setup) 162  
   Fax Mode (Fax Server Setup) 170  
   Finishing 186  
   Flash Drive 179  
   FTP Settings 176  
   General Settings 154  
   Help 196  
   HTML 194  
   Image 195  
   IPv6 147  
   LexLink 149  
   Miscellaneous 151  
   NetWare 149  
   Network <x> 142  
   Network Card 145  
   Network Reports 145  
   Paper Loading 136  
   Paper Size/Type 130  
   Paper Texture 134  
   PCL Emul 191

PDF 190  
 PostScript 191  
 Quality 188  
 Reports 140  
 Security Audit Log 153  
 Set Date/Time 153  
 Setup 184  
 SMTP Setup menu 149  
 Standard Network 142  
 Standard USB 144  
 Substitute Size 134  
 TCP/IP 146  
 Universal Setup 138  
 Utilities 189  
 Wireless 148  
 XPS 195  
 Miscellaneous menu 151  
 moving the printer 209, 213  
 multiple pages on one sheet 91  
 multipurpose feeder  
   loading 60

## N

NetWare menu 149  
 Network <x> menu 142  
 Network Card menu 145  
 Network Reports menu 145  
 network setup page 38  
 Networking Guide 214  
 noise  
   reducing 22  
 noise emission levels 289  
 notices 288, 289, 290, 291, 292,  
 293, 294, 295, 296, 297, 298, 299

## O

options  
   2,000-sheet dual input trays 35  
   2,000-sheet high capacity  
     feeder 35  
   500-sheet trays 35  
   duplex unit 35  
   fax card 25  
   firmware card 29  
   firmware cards 25  
   flash memory card 29  
   hard disk 31  
   internal 25  
   internal print server 30  
   memory card 27  
   memory cards 25

- networking 25
- port interface card 30
- ports 25
- updating in printer driver 39
- options, touch-screen
  - copy 94, 95
  - e-mail 102, 103, 104
  - fax 116, 117
  - FTP 122, 123
  - scan to computer 126, 127, 128
- ordering
  - cleaning kit 202
  - maintenance kit 201
  - photoconductors 201
  - staple cartridges 202
- ordering supplies
  - toner cartridge 201
- output file type
  - changing 101
- P**
- paper
  - A5 55
  - B5 56
  - characteristics 65
  - Executive 56
  - finishing features 82
  - letterhead 66
  - preprinted forms 66
  - recycled 21
  - selecting 66
  - setting size 52
  - setting type 52
  - Statement 55
  - storing 67
  - unacceptable 66
  - Universal Paper Size 138
  - Universal size setting 52
- paper feed troubleshooting
  - message remains after jam is cleared 274
- paper jams
  - avoiding 233
- paper jams, clearing
  - 200–201 236
  - 202 237
  - 203 238
  - 230 238
  - 231 238
  - 24x 244
  - 250 248
  - 280–281 248
  - 282 248
  - 283 251
  - 284 254
  - 285–286 254
  - 287–288 254
  - 290–294 257
  - 293 259
- Paper Loading menu 136
- Paper Size/Type menu 130
- paper sizes, supported 67
- Paper Texture menu 134
- paper type
  - custom 63
- paper types
  - supported by printer 70
  - where to load 70
- paper weights
  - supported by printer 70
- PCL Emul menu 191
- PDF menu 190
- photoconductor
  - replacing 204
- photoconductors
  - ordering 201
- photos
  - copying 86
- port interface card 30
- port settings
  - configuring 48
- PostScript menu 191
- Power Saver
  - adjusting 22
- print job
  - canceling, from computer 81
- print quality
  - cleaning the scanner glass 199
- print quality test pages, printing 80
- print quality troubleshooting
  - blank pages 275
  - clipped images 276
  - ghost images 276
  - gray background 277
  - poor transparency quality 285
  - print irregularities 278
  - print is too dark 279
  - print is too light 280
  - print quality test pages 275
  - repeating defects 281
  - skewed print 281
  - solid black streaks 281
  - solid white streaks 281
  - streaked horizontal lines 282
  - streaked vertical lines 283
  - toner fog or background shading 283
  - toner rubs off 284
  - toner specks 285
- print troubleshooting
  - error reading USB drive 260
  - held jobs do not print 261
  - incorrect characters print 262
  - incorrect margins 277
  - jammed page does not reprint 274
  - job prints from wrong tray 262
  - job prints on wrong paper 262
  - job takes longer than expected 261
  - jobs do not print 260
  - Large jobs do not collate 262
  - multiple-language PDFs do not print 260
  - paper curl 278
  - paper frequently jams 274
  - tray linking does not work 262
  - unexpected page breaks occur 263
- printer
  - configurations 11
  - minimum clearances 10
  - models 11
  - moving 209, 213
  - selecting a location 10
  - shipping 213
- printer control panel 14
  - factory defaults, restoring 216
- printer information
  - where to find 9
- printer messages
  - 1565 Emulation error, load emulation option 233
  - 298.01 Scanner Missing 233
  - 30 Invalid refill, change cartridge 226
  - 31.yy Replace defective or missing cartridge 227
  - 32 Cartridge part number unsupported by device 227
  - 34 Incorrect media, check <input src> guides 227
  - 34 Short paper 227
  - 35 Insufficient memory to support Resource Save feature 227

- 37 Insufficient memory for Flash Memory Defragment operation 228
- 37 Insufficient memory to collate job 227
- 37 Insufficient memory, some Held Jobs were deleted 228
- 37 Insufficient memory, some held jobs will not be restored 228
- 38 Memory full 228
- 39 Complex page, some data may not have printed 228
- 50 PPDS font error 228
- 51 Defective flash detected 229
- 52 Not enough free space in flash memory for resources 229
- 53 Unformatted flash detected 229
- 54 Network <x> software error 229
- 54 Serial option <x> error 229
- 54 Standard network software error 229
- 55 Unsupported option in slot 230
- 56 Parallel port <x> disabled 230
- 56 Serial port <x> disabled 230
- 56 Standard parallel port disabled 230
- 56 Standard USB port disabled 230
- 56 USB port <x> disabled 231
- 57 Configuration change, held jobs were not restored 231
- 58 Too many bins attached 231
- 58 Too many disks installed 231
- 58 Too many flash options installed 231
- 58 Too many trays attached 232
- 61 Remove defective disk 232
- 62 Disk full 232
- 63 Unformatted disk 232
- 80 Routine maintenance needed 232
- 84 Insert photoconductor 232
- 84 Photoconductor abnormal 233
- 84 Photoconductor low 233
- 84 Replace photoconductor 233
- 88 Cartridge low 202, 233
- 88 Replace cartridge to continue 202, 233
- 88.yy Replace cartridge 202
- an error has occurred with the flash drive 218
- Change <input src> to <Custom String> 218
- Change <input src> to <Custom String> load <orientation> 219
- Change <input src> to <Custom Type Name> 218
- Change <input src> to <Custom Type Name> load <orientation> 218
- Change <input src> to <size> 219
- Change <input src> to <size> load <orientation> 219
- Change <input src> to <type> <size> 219
- Change <input src> to <type> <size> load <orientation> 220
- Check <input src> guides 220
- Check <input src> orientation or guides 220
- Close cover <x> 220
- Close door <x> 220
- Close surface H 220
- Disk corrupted 221
- Disk Full - Scan Job Canceled 221
- Empty hole punch box 221
- Fax memory full 221
- Fax server 'To Format' not set up. Contact system administrator. 221
- Fax Station Name not set up 221
- Fax Station Number not set up 221
- Insert Tray <x> 222
- Load <input src> with <Custom String> 222
- Load <input src> with <Custom Type Name> 222
- Load <input src> with <size> 223
- Load <input src> with <type> <size> 222
- Load <src>with <x> 222
- Load Manual Feeder with <Custom String> 223
- Load Manual Feeder with <Custom Type Name> 223
- Load Manual Feeder with <size> 224
- Load Manual Feeder with <type> <size> 224
- Load manual feeder with <x> 223
- Load Staples 224
- Memory full, cannot print faxes 224
- Remove paper from <linked bin set name> 224
- Remove paper from all bins 224
- Remove paper from bin <x> 224
- Remove paper from standard output bin 225
- Replace all originals if restarting job. 225, 226
- Restore Held Jobs? 225
- Scan Document Too Long 226
- Scanner ADF Cover Open 226
- scanner jam 226
- Scanner Jam Access Cover Open 226
- Serial <x> 226
- SMTP server not set up. Contact system administrator. 221
- Some held jobs were not restored 226
- printer options troubleshooting
  - 2,000-sheet drawer 272
  - flash memory card 273
  - hard disk with adapter 273
  - internal print server 273
  - Internal Solutions Port 273
  - memory card 273
  - option not working 271
  - paper tray problems 272
  - USB/parallel interface card 274
- printer problems, solving basic 217
- printer software, installing (Windows) 38
- printing
  - directory list 80
  - font sample list 80
  - for Macintosh users 72
  - for Windows users 72
  - from flash drive 79
  - menu settings page 37
  - network setup page 38
  - print quality test pages 80
- printing confidential and other held jobs
  - from Macintosh computer 78
  - from Windows 77
- printing on
  - A5 paper 55
  - B5 paper 56
  - Executive paper 56

Statement paper 55  
 publications  
 where to find 9

## Q

Quality menu 188  
 Quiet Mode 22

## R

recycled paper  
 using 21  
 recycling  
 Lexmark products 23  
 toner cartridges 24  
 WEEE statement 290  
 reducing a copy 89  
 registration  
 scanner 199  
 Remove paper from <linked bin set name> 224  
 Remove paper from all bins 224  
 Remove paper from bin <x> 224  
 Remove paper from standard output bin 225  
 removing the optional trays 209  
 Repeat print jobs 77  
 printing from Macintosh computer 78  
 printing from Windows 77  
 Replace all originals if restarting job. 225, 226  
 replacing  
 photoconductor 204  
 reports  
 viewing 215  
 Reports menu 140  
 Reserve print jobs 77  
 printing from Macintosh computer 78  
 printing from Windows 77  
 resolution, fax  
 changing 114  
 Restore Held Jobs? 225

## S

safety information 7, 8  
 Scan Document Too Long 226  
 scan quality, improving 128  
 scan troubleshooting  
 cannot scan from a computer 267

partial document or photo  
 scans 267  
 scan was not successful 266  
 scanner unit does not close 263  
 scanning takes too long or freezes  
 the computer 266  
 scanner  
 Automatic Document Feeder (ADF) 13  
 functions 12  
 registration 199  
 scanner glass 13  
 Scanner ADF Cover Open 226  
 scanner glass  
 cleaning 199  
 scanner glass (flatbed)  
 copying using 86  
 scanner jam 226  
 Scanner Jam Access Cover Open 226  
 scanning to a computer 125  
 improving scan quality 128  
 scanning to a flash drive 126  
 scanning to an FTP address  
 creating shortcuts using the computer 121  
 creating shortcuts using the touch screen 122  
 improving FTP quality 124  
 using shortcut numbers 121  
 using the address book 121  
 using the keypad 120  
 Security Audit Log menu 153  
 Serial <x> 226  
 serial printing  
 setting up 49  
 Set Date/Time menu 153  
 setting  
 paper size 52  
 paper type 52  
 TCP/IP address 146  
 Universal Paper Size 52  
 setting up serial printing 49  
 setting up the printer  
 on an Ethernet network (Macintosh only) 45  
 on an Ethernet network (Windows only) 45  
 Setup menu 184  
 shipping the printer 213  
 shortcuts, creating  
 e-mail 99

fax destination 111, 112  
 FTP destination 121, 122  
 SMTP server not set up. Contact system administrator. 221  
 SMTP Setup menu 149  
 Some held jobs were not restored 226  
 Standard Network menu 142  
 standard tray  
 loading 53  
 Standard USB menu 144  
 staple cartridges  
 ordering 202  
 staple jam  
 289 staple error 251  
 status of supplies, checking 200  
 storing  
 paper 67  
 supplies 200  
 subject and message information  
 adding to e-mail 101  
 Substitute Size menu 134  
 supplies  
 conserving 200  
 status of 200  
 storing 200  
 supplies, ordering 201  
 cleaning kit 202  
 maintenance kit 201  
 photoconductors 201  
 staple cartridges 202  
 system board  
 accessing 26  
 reinstalling 33

## T

TCP/IP menu 146  
 telecommunication  
 notices 293, 294, 295, 296  
 tips  
 card stock 76  
 envelopes 75  
 labels, paper 76  
 letterhead 73  
 transparencies 75  
 toner cartridges  
 recycling 24  
 replacing 202  
 toner darkness  
 adjusting 84  
 touch screen  
 buttons 17

- transparencies
    - loading 60
    - making 86
    - tips 75
  - tray linking 63
  - tray unlinking 63
  - trays
    - linking 62, 63
    - unlinking 62, 63
  - troubleshooting
    - checking an unresponsive printer 217
    - checking an unresponsive scanner 265
    - solving basic printer problems 217
  - troubleshooting, copy
    - copier does not respond 263
    - partial document or photo copies 265
    - poor copy quality 264
    - poor scanned image quality 266
    - scanner unit does not close 263
  - troubleshooting, display
    - display is blank 217
    - display shows only diamonds 217
  - troubleshooting, fax
    - blocking junk faxes 115
    - caller ID is not shown 267
    - can receive but not send faxes 270
    - can send but not receive faxes 269
    - cannot send or receive a fax 268
    - received fax has poor print quality 270
  - troubleshooting, paper feed
    - message remains after jam is cleared 274
  - troubleshooting, print
    - error reading USB drive 260
    - held jobs do not print 261
    - incorrect characters print 262
    - incorrect margins 277
    - jammed page does not reprint 274
    - job prints from wrong tray 262
    - job prints on wrong paper 262
    - job takes longer than expected 261
    - jobs do not print 260
    - Large jobs do not collate 262
    - multiple-language PDFs do not print 260
    - paper curl 278
    - paper frequently jams 274
    - tray linking does not work 262
    - unexpected page breaks occur 263
  - troubleshooting, print quality
    - blank pages 275
    - clipped images 276
    - ghost images 276
    - gray background 277
    - poor transparency quality 285
    - print irregularities 278
    - print is too dark 279
    - print is too light 280
    - print quality test pages 275
    - repeating defects 281
    - skewed print 281
    - solid black streaks 281
    - solid white streaks 281
    - streaked horizontal lines 282
    - streaked vertical lines 283
    - toner fog or background shading 283
    - toner rubs off 284
    - toner specks 285
  - troubleshooting, printer options
    - 2,000-sheet drawer 272
    - flash memory card 273
    - hard disk with adapter 273
    - internal print server 273
    - Internal Solutions Port 273
    - memory card 273
    - option not working 271
    - paper tray problems 272
    - USB/parallel interface card 274
  - troubleshooting, scan
    - cannot scan from a computer 267
    - partial document or photo scans 267
    - scan was not successful 266
    - scanner unit does not close 263
    - scanning takes too long or freezes the computer 266
  - updating options in printer driver 39
  - USB port 36
  - Utilities menu 189
- ## V
- Verify print jobs 77
    - printing from Macintosh computer 78
    - printing from Windows 77
  - viewing
    - reports 215
  - virtual display
    - how to access 214
- ## W
- Wireless menu 148
  - wireless network
    - configuration information 40
    - installation, using Macintosh 42
    - installation, using Windows 41
  - wireless network setup
    - in Windows 41
  - wireless printer setup
    - in Macintosh 42
- ## X
- XPS menu 195