

Monochrome laser multifunction product



Lexmark XM1140, XM1145 and XM3150

Powerful. Compact.



XM3150



Mono



Duplex printing



Solutions



Duplex RADF



Security



Up to 47 ppm



10.9 cm
(4.3-inch) or
17.8 cm (7-inch)



Network



Front USB

Founded in 1991 from an IBM heritage in Lexington, Kentucky, Lexmark is focused on delivering tailored solutions to solve the unique challenges businesses face. Lexmark's broad portfolio of high-quality products, solutions and services help improve productivity, increase efficiency and empower employees to perform at their best.

Eco-responsible

Printing responsibly and reducing the impact of printing on the environment is a win for your business and your budget. Our goal is to design, package and deliver innovative products and solutions that produce high-quality output with reliable performance. And at the same time, help you minimise the number of cartridges you use over the life of a printer and conserve paper and energy.

The Lexmark Cartridge Collection Programme provides a variety of methods for free returns of your empty cartridges to Lexmark or our collection partners. Programme availability and details vary by country.

Environmental protection is a shared responsibility

Through work with industry groups, Lexmark helps guide the formation of standards and guiding principles for environmental sustainability.

Our memberships include:

- ▶ AeA Europe
- ▶ Ecma International
- ▶ Electronics Industry Citizenship Coalition (EICC)
- ▶ DIGITALEUROPE
- ▶ European Information & Communications Technology Industry Association (EICTA)
- ▶ Information Technology Industry Council (ITI)
- ▶ Environmental Leadership Council





Powerful performance

The Lexmark XM1140, XM1145 and XM3150 multifunction systems will help propel your business forward. Our solutions are capable, eco-friendly systems that simplify processes and help you quickly respond to changing business needs.

- ▶ Process even the most complex jobs utilising the 800MHz dual-core processing power and up to 3GB of memory
- ▶ Get work done quickly with print and copy speeds up to 47 ppm, and produce your first page in as little as 6.5 seconds
- ▶ Produce professional output with a system that delivers consistent image quality on a diverse range of materials
- ▶ Instant warm-up fuser helps reduce energy consumption and improve time to first page

Business productivity

The Lexmark XM1140, XM1145 and XM3150 combine exceptional multifunction performance with time-saving applications designed to make you more productive.

- ▶ Save time with fast two-sided colour scanning in a single pass and quickly convert hard-copy documents into a digital format
- ▶ Advanced copy functions let you interrupt long print runs to make a quick copy and proof the first copy set before completing your copy job
- ▶ Scan to multiple destinations, including scan to network, email, FTP, fax and more
- ▶ For higher volume print needs, optional input capacity can be added to keep jobs moving
- ▶ An in-line stapler option on the XM3150 will finish the job

Easy and intuitive

The Lexmark XM1140, XM1145 and XM3150 are designed for easy operation to allow you to stay focused on customer engagements instead of routine maintenance.

- ▶ The easy to navigate 10.9-cm (4.3-inch) or 17.8-cm (7-inch) touch screen provides audible feedback to make completing tasks intuitive
- ▶ Print and scan preview features help you select documents or specific pages within a document
- ▶ Extend your environmental responsibility with energy-efficient settings such as the Sleep Button and Hibernate Mode
- ▶ Manage your devices with available software

Propel your business forward

Our solutions are designed with your productivity in mind. The Lexmark XM1140, XM1145 and XM3150 platform lets you interact with business applications directly on the device or with a server, on premise or hosted in the cloud. Reduce unnecessary printing and simplify work processes with Lexmark solutions.

Navigate to efficiency

The Lexmark colour touch screen is a key access point to your device. The customisable 10.9-cm (4.3-inch) or 17.8-cm (7-inch) interface gives you the ability to preview thumbnails of documents prior to printing, as well as change print job settings at the device. You can even view, select and print specific pages within a document directly from the touch screen. Its easy-to-use, intuitive navigation provides fast access to the functions and shortcuts.

Examples of preloaded solutions on XM1140, XM1145 and XM3150 MFPs:



Multi Send

Capture and route a document to multiple destinations simultaneously and print a copy if you choose. Documents can be routed to email, network folders or FTP sites.



Forms and Favorites

Eliminate waste and inefficiencies associated with preprinted forms. Store frequently printed forms, marketing materials or other documents online, then print them on demand.



Scan to Network Basic

Scan a hard-copy document and route the image to one of 30 predefined or public shared network folder.



Customer Support

This application provides you with an easy way to send information about your device to your authorised dealer or internal help desk.



Device Quotas

Lexmark Device Quotas allows an administrator to configure user level quotas for print, scan, copy, and outbound fax.



Professional-quality output is only part of the story

By leveraging our industry expertise, you can generate efficiency and increase productivity across business processes to gain the power you need to move ahead. Lexmark technology solutions are tailored to your business environment—where business interactions and decisions are happening.

Empower your employees with workflow solutions that refine work processes, capture critical data and deliver information to the right place, at the right time and in the right format.

Contact your Lexmark Business Solutions Dealer for specific vertical solutions.* Solutions are customised through your dealer.

Keep sensitive information and documents secure

Lexmark builds network devices with security in mind to protect your data and documents throughout your entire workflow. Our wide range of security functions include device management, device hardening and device operation.

Device management. Tools include administrative access and passwords, HTTPS, SNMPv3, IP security (IPSec) and 802.1x support to remotely monitor and manage device usage.

Device hardening. Includes port filtering, TCP connection filtering, hard disk encryption, hard disk wiping and digitally signed firmware updates that enhance the security of the device's network interface.

Device operation. Reduce vulnerabilities with authentication and authorisation features, address book lookup via LDAP over SSL and device lockout for protection of user information.

Lexmark has shown its strength and leadership with respect to security.

- ▶ Forming and chairing the group that created the IEEE 2600 standards for security on hard-copy devices
- ▶ Becoming the first hard-copy device manufacturer to take a holistic approach with the National Information Assurance Partnership (NIAP) Common Criteria evaluation

*Additional Lexmark solutions are available through your authorised Lexmark Partner.



Intuitive colour touch screen

Operate your device with ease through smart and intuitive navigation. Receive audible feedback when you use the touch screen.



XM3150 with 17.8-cm (7-inch) colour touch screen and additional 550-sheet tray



XM1140 and XM1145 with 10.9-cm (4.3-inch) colour touch screen and additional 550-sheet tray



Flexible media handling

Add additional input capacity to handle higher volume output needs or an in-line stapler option for the XM3150 to finish the job.



Automatic document feeder

Save time by scanning both sides of your document with robust colour-scanning capabilities and ultrasonic multi-feed detection to reduce jams.



Direct USB

The front USB port allows for convenient walk-up preview, printing and scanning and is compatible with most printable image file formats.



Lexmark solutions

Reduce unnecessary printing and simplify work processes through solutions applications preloaded on your device. Choose additional Lexmark solutions to fit your unique workflow needs.



Lexmark's Unison™ Toner

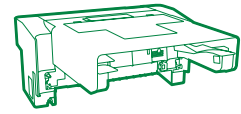
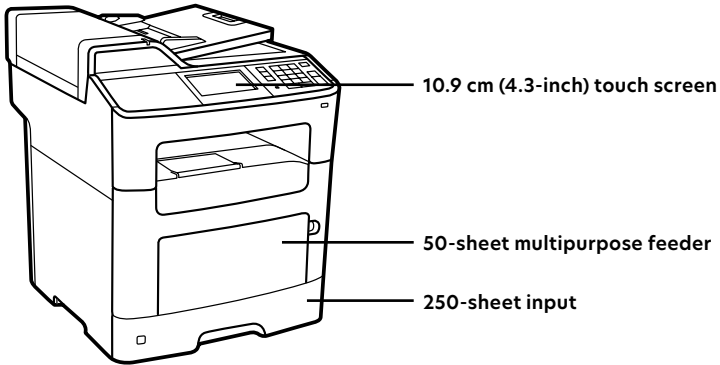
Advanced toner science—powerful enough to deliver consistently outstanding image quality, with a shake-free print system.



Eco-friendly features

Easy-to-access features like Eco-Mode to reduce paper and toner consumption, the Sleep Button and Hibernate Mode make it easy to print responsibly and help you save energy.

XM1140

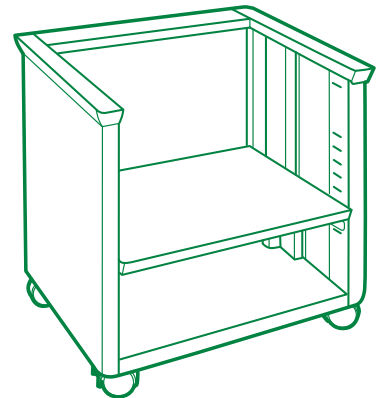
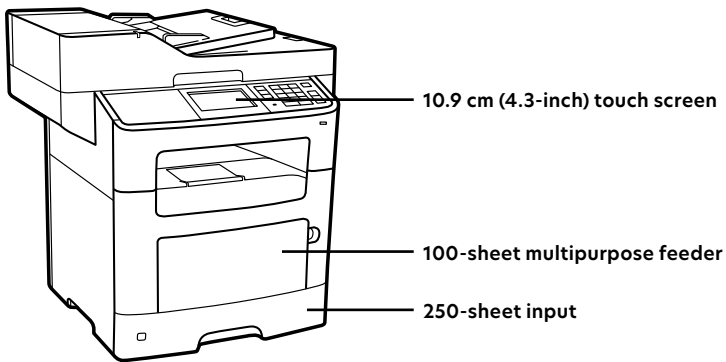


Inline stapler



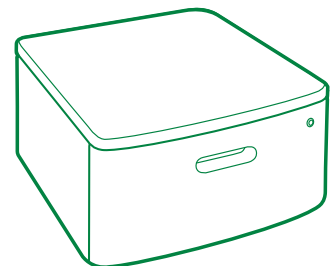
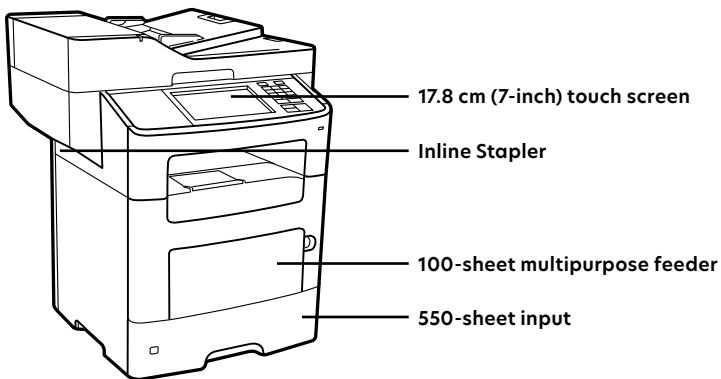
250-sheet tray / 550-sheet tray

XM1145



Adjustable printer stand

XM3150



Swivel cabinet

- Standard
- Optional

The line art features the standard set-up that can be different per model.

Monochrome laser multifunction product



Product specifications	Lexmark XM1140	Lexmark XM1145	Lexmark XM3150
Print			
Display	Lexmark e-Task 4.3-inch (10.9 cm) colour touch screen		Lexmark e-Task 7-inch (17.8 cm) color touch screen
Print Speed: Up to ⁶	Black: 38 ppm	Black: 42 ppm	Black: 47 ppm
Time to First Page: As fast as	Black: 6.5 seconds		
Print Resolution	Black: 1200 Image Quality, 1200 x 1200 dpi, 2400 Image Quality, 600 x 600 dpi		
Memory / Processor	Standard: 512 MB / Maximum: 2560 MB / Dual Core, 800 MHz		Standard: 1024 MB / Maximum: 3072 MB / Dual Core, 800 MHz
Hard Disk	Not Available	Option available	
Recommended Monthly Page Volume ²	750 - 10000 pages	2000 - 12000 pages	2000 - 15000 pages
Maximum Monthly Duty Cycle: Up to ³	100000 pages per month	120000 pages per month	175000 pages per month
Copy			
Copy Speed: Up to ⁶	Black: 38 cpm	Black: 42 cpm	Black: 47 cpm
Time to First Copy: as fast as	Black: 6.5 seconds		
Scan			
Scanner Type / ADF Scan	Flatbed scanner with ADF / RADF (reversing Duplex)		
A4/Ltr Duplex Scan Speed: Up to	Black: 18 / 19 sides per minute / Colour: 8 / 8 sides per minute	Black: 18 / 19 sides per minute / Colour: 8 / 9 sides per minute	Black: 20 / 21 sides per minute / Colour: 13 / 14 sides per minute
A4/Ltr Simplex Scan Speed: Up to	Black: 42 / 43 sides per minute / Colour: 19 / 20 sides per minute	Black: 41 / 43 sides per minute / Colour: 19 / 20 sides per minute	Black: 45 / 48 sides per minute / Colour: 30 / 32 sides per minute
ADF Paper Input Capacity: Up to	50 pages 75 gsm bond		
Fax			
Modem Speed	ITU T.30, V.34 Half-Duplex, 33.6 Kbps		
Supplies			
Laser Cartridge Yields (up to) ¹	10,000-page High Yield Cartridge	16,000-page Extra High Yield Cartridge	
Imaging Unit Estimated Yield: Up to	60000 pages, based on 3 average letter/A4-size pages per print job and ~ 5% coverage		
Cartridge(s) Shipping with Product ⁷	5,000-page Starter Return Program Toner Cartridge		7,500-page Starter Return Program Toner Cartridge
Paper Handling			
Included Paper Handling	250-Sheet Input, 50-Sheet Multipurpose Feeder, 150-Sheet Output Bin, Integrated Duplex	250-Sheet Input, 100-Sheet Multipurpose Feeder, 150-Sheet Output Bin, Integrated Duplex	550-Sheet Input, 100-Sheet Multipurpose Feeder, Integrated Duplex, 250-Sheet Output Bin
Optional Paper Handling	250-Sheet Tray, 550-Sheet Tray, 550-Sheet Lockable Tray		250-Sheet Tray, 550-Sheet Tray, 550-Sheet Lockable Tray, Inline Stapler
Paper Input Capacity: Up to	Standard: 300 pages 75 gsm bond / Maximum: 850 pages 75 gsm bond	Standard: 350 pages 75 gsm bond / Maximum: 2000 pages 75 gsm bond	Standard: 650 pages 75 gsm bond / Maximum: 2300 pages 75 gsm bond
Paper Output Capacity: Up to	Standard: 150 pages 75 gsm bond / Maximum: 150 pages 75 gsm bond		Standard: 250 pages 75 gsm bond / Maximum: 250 pages 75 gsm bond
Media Types Supported	Card Stock, Envelopes, Paper Labels, Plain Paper, Transparencies, Refer to the Card Stock & Label Guide.		
Media Sizes Supported	10 Envelope, 7 3/4 Envelope, 9 Envelope, A4, A5, DL Envelope, Executive, Folio, JIS-B5, Legal, Letter, Statement, Universal, Oficio, A6		
General Information⁴			
Standard Connectivity	USB 2.0 Specification Hi-Speed Certified (Type B), Gigabit Ethernet (10/100/1000), Front USB 2.0 Specification Hi-Speed Certified port (Type A)	One Internal Card Slot, USB 2.0 Specification Hi-Speed Certified (Type B), Gigabit Ethernet (10/100/1000), Front USB 2.0 Specification Hi-Speed Certified port (Type A), Rear USB 2.0 Specification Hi-Speed Certified port (Type A)	
Optional Network Ports / Optional Local Ports	MarkNet N8352 802.11b/g/n Wireless	Internal MarkNet N8350 802.11b/g/n Wireless / Internal RS-232C serial, Internal 1284-B Bidirectional Parallel	
Noise Level: Operating	Print: 55 dBA / Copy: 55 dBA / Scan: 55 dBA	Print: 55 dBA / Copy: 56 dBA / Scan: 55 dBA	
Specified Operating Environment	Temperature: 16 to 32°C (60 to 90°F), Humidity: 8 to 80% Relative Humidity, Altitude: 0 - 2896 Meters (9,500 Feet)		
Size (mm - H x W x D) / Weight	468 x 399 x 472 mm / 20.0 kg	502 x 489 x 452 mm / 21.8 kg	561 x 489 x 479 mm / 23.6 kg

¹Average yield based on approximately 5% print coverage. ²"Recommended Monthly Page Volume" is a range of pages that helps customers evaluate Lexmark's product offerings based on the average number of pages customers plan to print on the device each month. Lexmark recommends that the number of pages per month be within the stated range for optimum device performance, based on factors including: supplies replacement intervals, paper loading intervals, speed, and typical customer usage. ³"Maximum Monthly Duty Cycle" is defined as the maximum number of pages a device could deliver in a month using a multishift operation. This metric provides a comparison of robustness in relation to other Lexmark printers and MFPS. ⁴Printers are sold subject to certain license/agreement conditions. See www.lexmark.com/printerlicense for details. ⁵Actual Yield may vary based on other factors such as device speed, paper size and feed orientation, toner coverage, tray source, percentage of black-only printing and average print job complexity. ⁶Print and copy speeds measured in accordance with ISO/IEC 24734 and ISO/IEC 24735 respectively (ESAT). For more information see: www.lexmark.com/ISOspeeds. ⁷Average standard page yield value declared in accordance with ISO/IEC 19752.