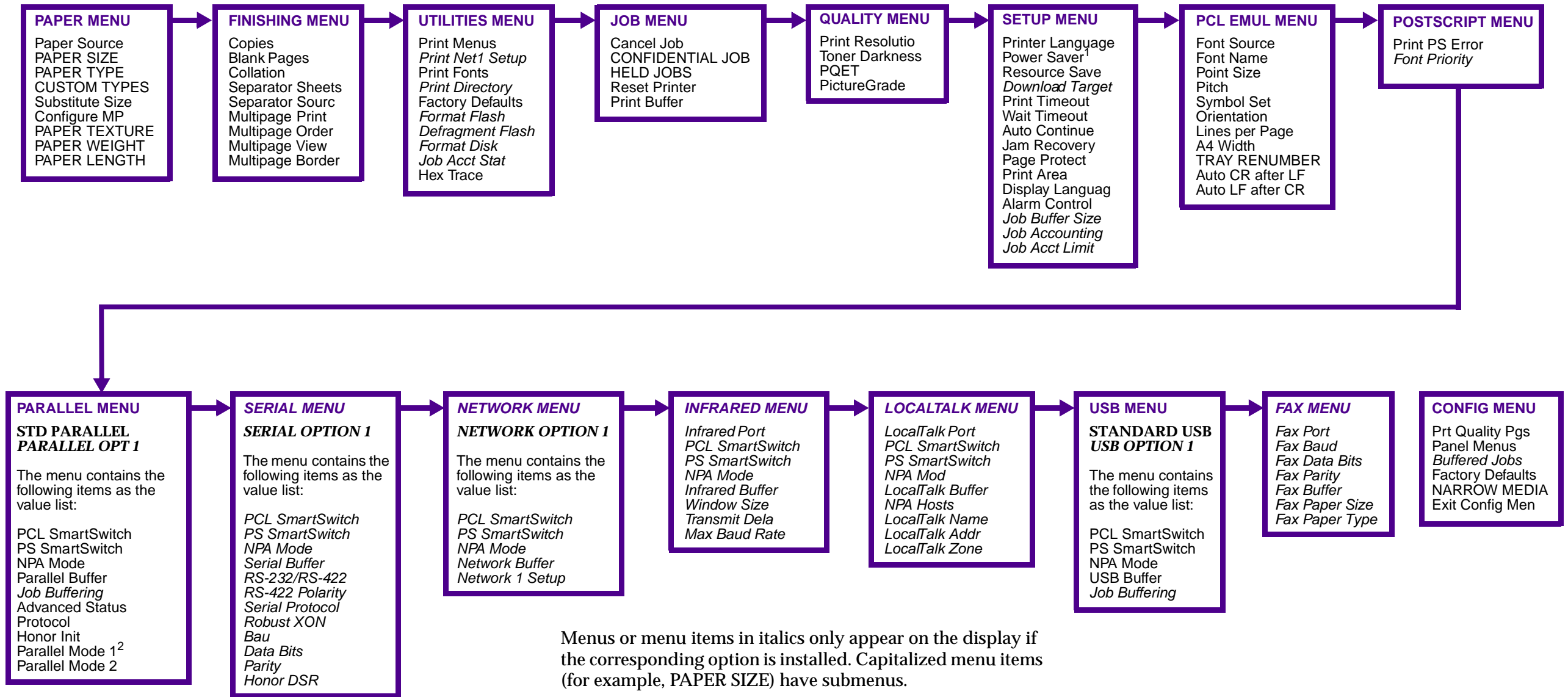


# Overview of Printer Menus



Menus or menu items in italics only appear on the display if the corresponding option is installed. Capitalized menu items (for example, PAPER SIZE) have submenus.

For all menus:

- Press **Menu>** or **<Menu** to enter the menus and scroll through the options.
- Press **Select** to choose a menu, menu item, or value.
- Press **Return** to back up to the previous menu level.

For all menus except CONFIG MENU:

- Press **Go** to return to Ready.

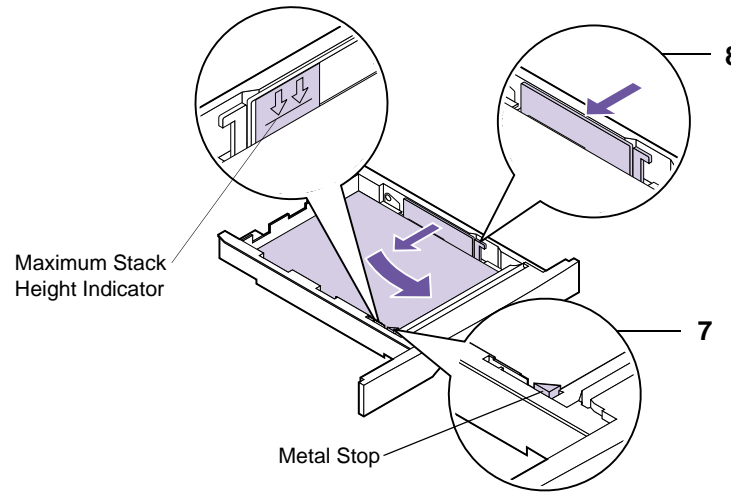
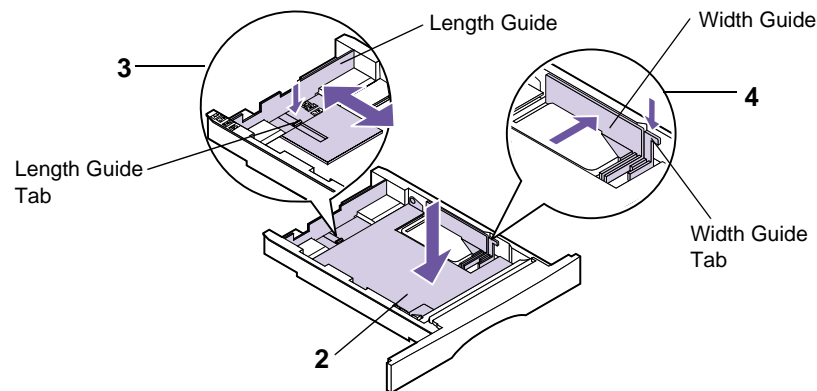
<sup>1</sup> Some printer models released in the year 2000 or later designated as Energy Star printers cannot have Power Saver disabled.

<sup>2</sup> Parallel Mode 1 is not supported on the Optra M412 printer.

# Lexmark Optra M410 and M412 Quick Reference

## Loading Print Material in the 250-Sheet Input Tray

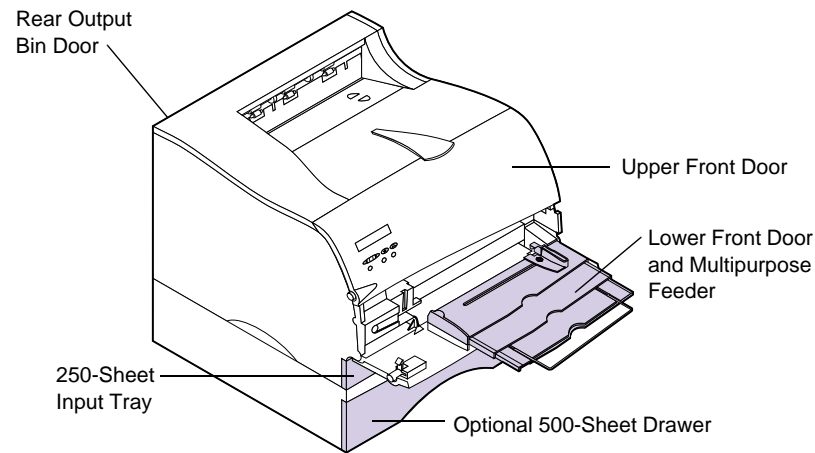
- 1 Remove the input tray completely from the printer.
  - 2 Press down on the metal plate until it locks into place.
  - 3 Press down on the length guide tab and slide the length guide to the correct position for the size print material you are using.
  - 4 Press down on the width guide tab and slide the guide to the far right side of the tray
  - 5 Flex the sheets of print material back and forth, then fan them.
  - 6 Place the print material against the left side of the tray with the recommended print side face down and the front edge of the stack placed toward the front of the tray.
- Note:** Do not exceed the maximum stack height indicator when loading print material. It is located on the left inside surface of the tray near the metal stop.
- 7 Fit the print material under the metal stop.
  - 8 Push on the right side of the width guide to move it to the left until it lightly touches the edge of the print material.
  - 9 Slide the tray all the way into the printer until it *snaps* into place.



## Accessing Paper Jam Areas

If a paper jam should occur, you may be required to open doors and covers, remove paper trays or remove options.

**CAUTION: The rear portion of the inside of the printer may be hot.**



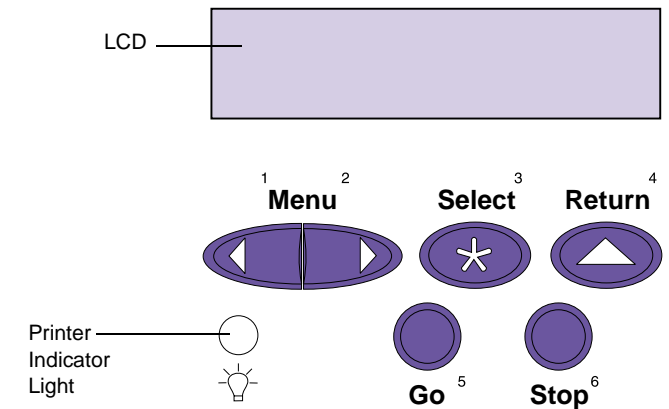
© Copyright Lexmark International, Inc. 2000. All rights reserved. Printed in U.S.A.  
This document is 100% recyclable. 5/00

E.C. 1G0002



P/N 17G0074

## Operator Panel



### <Menu>

- At the **Ready** message, takes the printer offline (out of the Ready state) and enters the menus.
- At the **Busy** message, takes the printer to the **JOB MENU**.
- When the printer is offline, press the **Menu>** button to go to the next item in the menus or press the **<Menu** button to go to the previous item in the menus.
- Press and hold **Menu>** to scroll forward or **<Menu** to scroll backward in numerical value menus.

### Select

- Selects the menu item shown on the second line of the display.
- Saves the selection as a new default setting.

### Return

- Returns to the previous menu level or menu item.

### Go

- Returns the printer to **Ready**.
- Resumes printing after loading print material and clearing paper jams.

### Stop

- Stops all print activity. (No data is lost.)

### 1, 2, 3, 4, 5, and 6

- Used to enter your Personal Identification Number (PIN) after you send a Confidential Job.