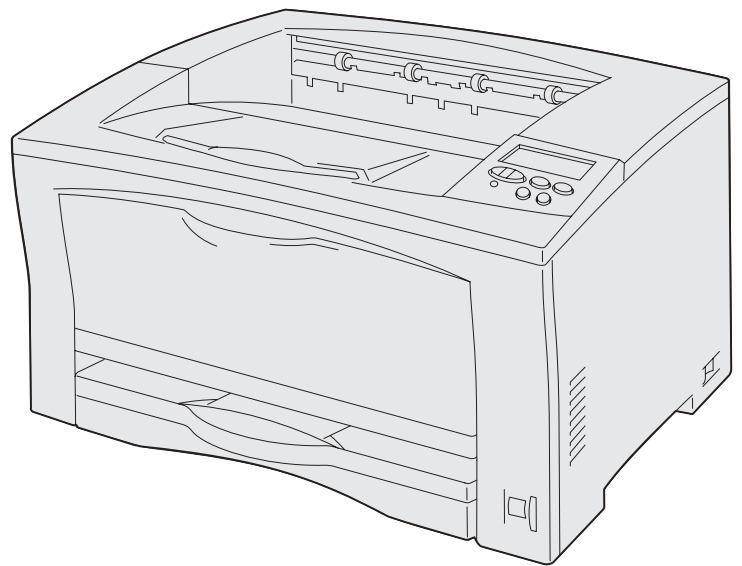




Lexmark W812

User's Reference



July 2002

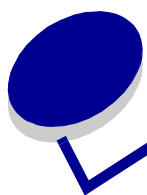


Table of contents

Chapter 1: Printer overview	7
Chapter 2: Sending a job to print	10
Chapter 3: Canceling a print job	11
Canceling a job from the printer operator panel	11
Canceling a job from the Windows taskbar	11
Canceling a job from a Windows desktop	11
Canceling a job from a Macintosh computer	11
Chapter 4: Conserving supplies	12
Chapter 5: Holding a job in the printer	13
Printing and deleting held jobs	13
Accessing held jobs from the operator panel	14
Recognizing when format errors occur	14
Repeating print jobs	15
Reserving print jobs	15
Verifying print jobs	15
Printing confidential jobs	16
Chapter 6: Paper and specialty media specifications	17
Paper	17
Letterhead	18
Transparencies	18
Labels	19
Card stock	19
Chapter 7: Linking trays	20

Chapter 8: Loading the trays	21
Loading 250-sheet trays	21
Loading 500-sheet trays	26
Chapter 9: Loading the multipurpose feeder	28
Printing envelopes	30
Chapter 10: Tips for successful printing	31
Storing paper	31
Storing supplies	31
Avoiding jams	31
Chapter 11: Using the optional duplex unit	33
Chapter 12: Checking an unresponsive printer	34
Chapter 13: Solving print quality problems	35
Chapter 14: Solving paper feed problems	40
Chapter 15: Solving printing problems	42
Chapter 16: Solving other option problems	45
Chapter 17: Calling for service	46
Chapter 18: Understanding jam messages	47
Chapter 19: Clearing jams	48
Chapter 20: Ordering supplies	55
Chapter 21: Determining the status of supplies	56
Chapter 22: Recycling used supplies	57
Chapter 23: Replacing the print cartridge	58
Removing the old print cartridge	58
Installing the new print cartridge	59

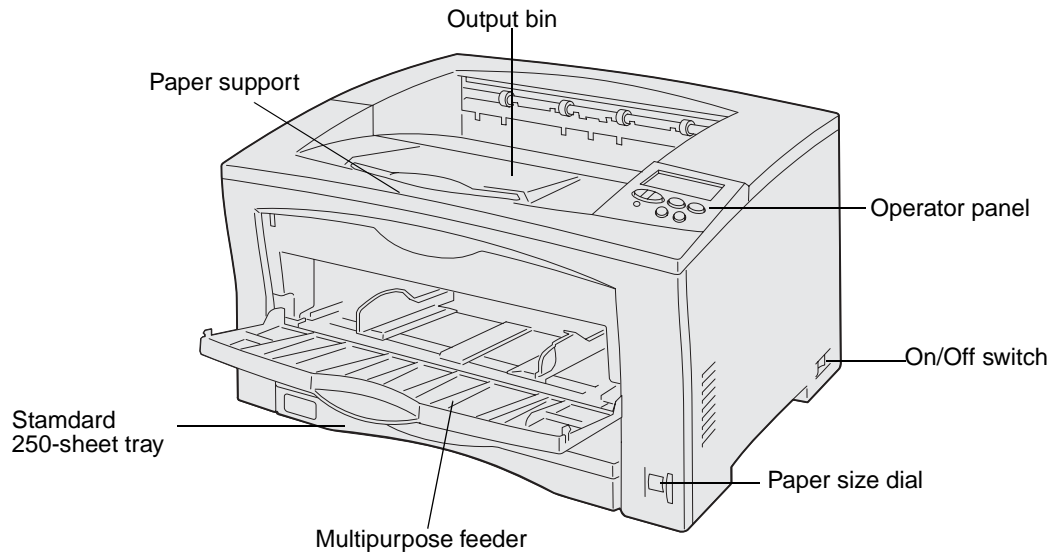
Chapter 24: Replacing the fuser	61
Removing the old fuser	61
Installing a new fuser	63
Chapter 25: Understanding the printer operator panel	65
Operator panel buttons	65
Chapter 26: Configuring printer alerts	67
Chapter 27: Removing memory and option cards	68
Removing the printer system board access panel	68
Removing memory cards	70
Removing an option card	71
Removing a firmware card	73
Reinstalling the system board access panel	74
Chapter 28: Disabling the operator panel menus	75
Enabling the menus	75
Chapter 29: Disabling Power Saver	76
Chapter 30: Size Sensing	77
Chapter 31: Printing a menu settings page	78
Chapter 32: Restoring factory default settings	79
Chapter 33: Changing menu settings	80
Chapter 34: Understanding fonts	81
Resident fonts	81
Symbol sets	86
Downloadable fonts	86
Chapter 35: Printing sample fonts	88
Chapter 36: Understanding printer messages	90
Chapter 37: Finishing Menu	127

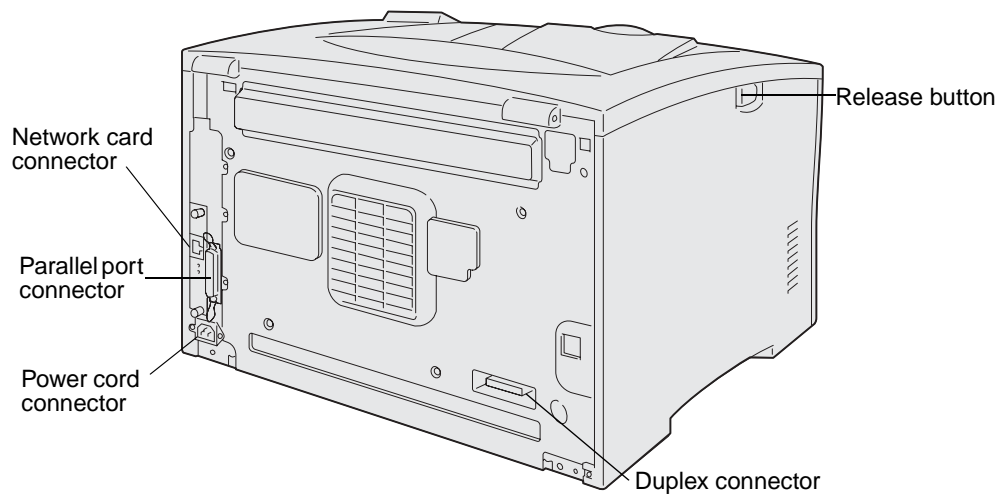
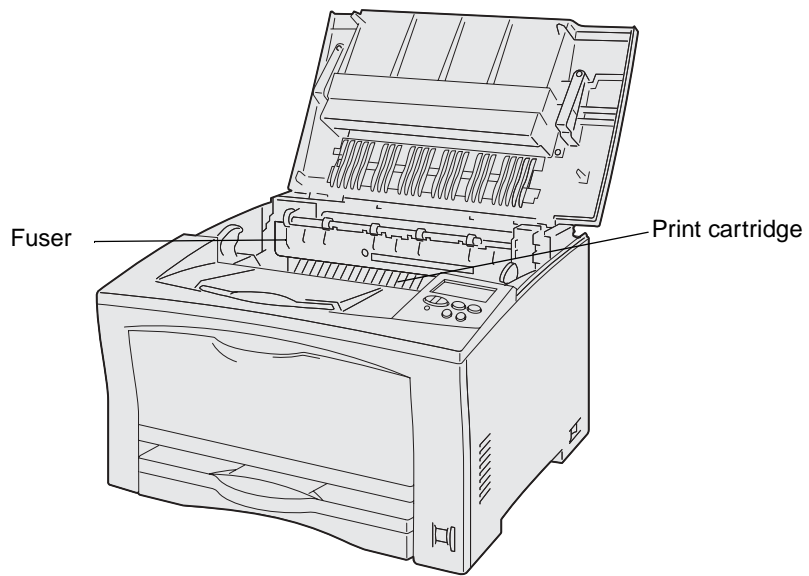
Chapter 38: Job Menu	133
Chapter 39: Quality Menu	136
Chapter 40: Paper Menu	138
Chapter 41: PCL Emul Menu	144
Chapter 42: PPDS Menu	149
Chapter 43: Serial Menu	153
Chapter 44: Network Menu	159
Chapter 45: Parallel Menu	163
Chapter 46: Setup Menu	168
Chapter 47: PostScript Menu	174
Chapter 48: USB Menu	175
Chapter 49: Utilities Menu	178
Notices	183
Edition notice	183
Trademarks	184
Licensing notice	186
Safety information	186
Cautions and warnings	187
Electronic emission notices	187
Energy Star	190
Laser notice	190
Index	191

1

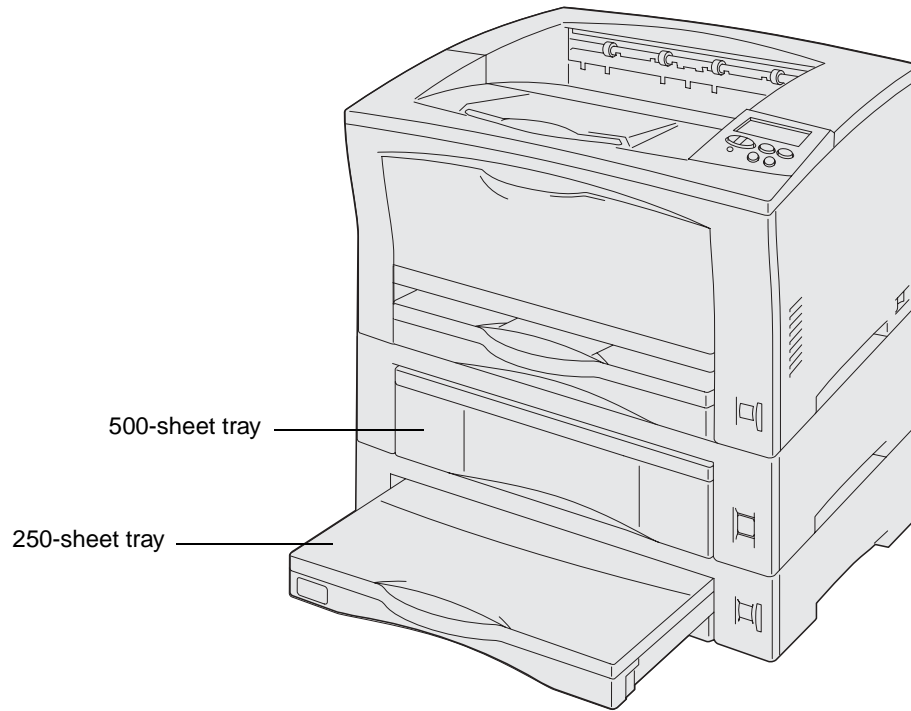
Printer overview

The following illustrations show the views of your Lexmark W812 printer.

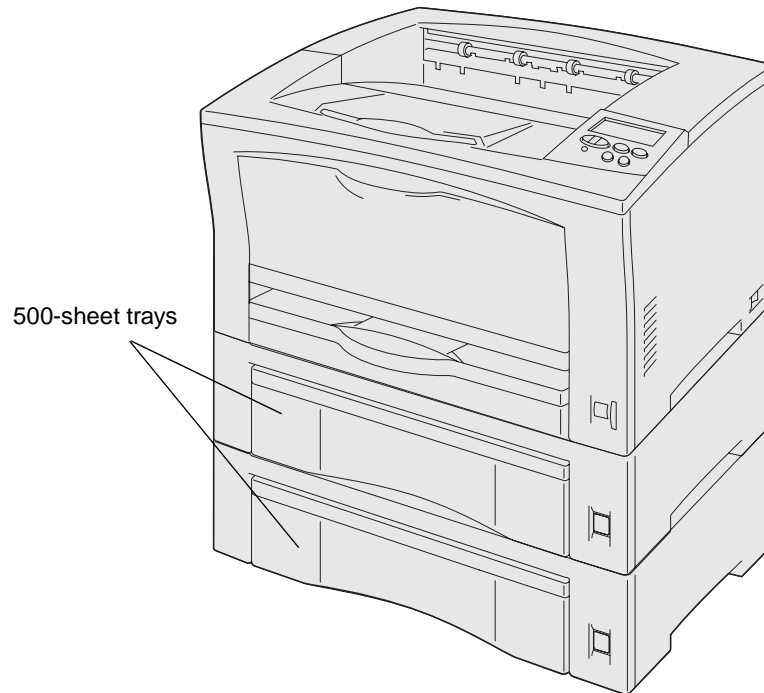




To increase paper capacity, you can purchase additional 250-sheet and 500-sheet trays. The following illustration shows the printer configured with one optional 500-sheet tray and one optional 250-sheet tray that is extended for A3 size paper.



The following illustration shows the printer configured with two optional 500-sheet trays.





Sending a job to print

To print a job from a typical Windows application:

- 1 Open the file you want to print.
- 2 From the File menu, select Print.
- 3 Verify that the correct printer is selected in the dialog box.
- 4 Modify the printer settings as appropriate (such as the pages you want to print or the number of copies).

Note: Click **Properties** or **Setup** to adjust printer settings not available from the first screen, and then click **OK**.

- 5 Click **OK** or **Print** to send the job to the selected printer.



Canceling a print job

Canceling a job from the printer operator panel

To cancel a job after it has started printing, press **Menu** until you see Cancel Job, and then press **Select**.

Canceling a job from the Windows taskbar

When you send a job to print, a small printer icon appears in the right corner of the taskbar.

- 1 Double-click the printer icon. A list of print jobs appears.
- 2 Select the job you want to cancel.
- 3 Press **Delete** on your keyboard.

Canceling a job from a Windows desktop

- 1 Minimize all programs to reveal the contents of the desktop.
- 2 Double-click **My Computer**.
- 3 Double-click **Printers**. A list of available printers appears.
- 4 Double-click the printer you selected when you sent the job. A list of print jobs appears.
- 5 Select the job you want to cancel.
- 6 Press **Delete** on your keyboard.

Canceling a job from a Macintosh computer

When you send a job to print, the icon for your selected printer appears on the desktop.

- 1 Double-click the printer icon on your desktop. A list of print jobs appears.
- 2 Press **Control** and click the print job you want to cancel.
- 3 Select Stop Queue from the pop-up menu that appears.

4

Conserving supplies

Several settings in your application software or on the display let you conserve toner and paper:

Supply	Setting	What the setting does	For more information, see...
Toner	Toner Darkness in the Quality Menu	Lets you adjust the amount of toner released on a sheet of paper. The values range from 1 (lightest setting) to 10 (darkest setting).	Toner Darkness
Paper and specialty media	Multipage Print in the Finishing Menu	Prints two or more page images on one side of a sheet. Values for Multipage Print are 2 Up, 3 Up, 4 Up, 6 Up, 9 Up, 12 Up, and 16 Up. Combined with the duplex setting, Multipage Print lets you print up to 32 pages on one sheet of paper (16 images on the front and 16 on the back).	Multipage Print
	Duplex in the Finishing Menu	Available when you attach an optional duplex unit.	Duplex
Paper and specialty media	Use your software application or printer driver to send a Verify Print job. Use Held Jobs in the Job Menu to access your Verify Print job.	Lets you examine the first copy of a multiple-copy job to be sure it is satisfactory before you print the other copies. If the job is unsatisfactory, cancel it.	Verifying print jobs Holding a job in the printer

5

Holding a job in the printer

When sending a job to the printer, you can specify in the driver that you want the printer to hold the job in memory. When you are ready to print the job, you must go to the printer and use the operator panel menus to identify which *held* job you want to print.

Note: *Print and Hold* functions require a minimum of 16MB available printer memory. We recommend a minimum of 32MB available printer memory and a hard disk.

To learn more about this function, click a topic:

- [Printing and deleting held jobs](#)
- [Accessing held jobs from the operator panel](#)
- [Recognizing when format errors occur](#)
- [Repeating print jobs at a later time](#)
- [Verifying print jobs](#)
- [Printing confidential jobs](#)
- [Reserving print jobs](#)

Printing and deleting held jobs

Once held jobs are stored in printer memory, you can use the printer operator panel to specify what you want to do with one or more of the jobs. You can select either Confidential Job or Held Jobs (Repeat Print, Reserve Print, and Verify Print jobs) from the **Job Menu**. If you select Confidential Job, you must enter the personal identification number (PIN) you specified in the driver when you sent the job. See [Printing confidential jobs](#) for more information.

From either the Confidential Job or the Held Jobs menu items, you have five choices:

- Print All Jobs
- Print A Job
- Delete All Jobs
- Delete A Job
- Print Copies

Accessing held jobs from the operator panel

- 1** To access held jobs from the operator panel:
 - If the printer is Busy, press **Menu**. The Job Menu appears.
 - If the printer is Ready, continue to step 2.
- 2** Press **Menu** until you see Held Jobs or Confidential Job on the operator panel display, depending on the type of job you want to access.
- 3** Press **Select**.

User Name appears on the first line of the operator panel. The second line displays the names of users currently associated with Print and Hold jobs.
- 4** Press **Menu** until you see your user name.

Note: If you are looking for a Confidential Job, you are prompted to enter your PIN. See [Printing confidential jobs](#) for more information.
- 5** Press **Select**.
- 6** Press **Menu** until the action you want to take is on the second line of the operator panel (Print A Job, Delete A Job, and so on).
- 7** Press **Select**.
 - If you are looking for a particular job, press **Menu** to scroll through the list of available jobs, and press **Select** when the correct job is displayed. An asterisk (*) appears next to the job name indicating you have chosen to print or delete that job.
 - If you are prompted to enter the number of copies you want to print, use the **Menu** button to increase or decrease the number on the display, and then press **Select**.
- 8** Press **Go** to print or delete specific jobs you have marked.

The printer briefly shows messages indicating what Print and Hold functions it is performing.

Recognizing when format errors occur

If the ⚡ symbol appears on the display, it indicates that the printer had trouble formatting one or more of the held jobs. These formatting problems are most commonly the result of insufficient printer memory or invalid data that might cause the printer to flush the job.

When a ⚡ symbol appears next to a held job, you can:

- Print the job. Be aware, however, that only part of the job may print.
- Delete the job. You may want to free up additional printer memory by scrolling through the list of held jobs and deleting others you have sent to the printer.

If formatting errors are a recurring problem with held jobs, your printer may require more memory.

Repeating print jobs

If you send a Repeat Print job, the printer prints all requested copies of the job *and* stores the job in memory so you can print additional copies later. You can print additional copies as long as the job remains stored in memory.

Note: Repeat Print jobs are automatically deleted from printer memory when the printer requires extra memory to process additional held jobs.

Reserving print jobs

If you send a Reserve Print job, the printer does not print the job immediately, but stores the job in memory so you can print the job later. The job is held in memory until you delete it from the Held Jobs menu. Reserve Print jobs may be deleted if the printer requires extra memory to process additional held jobs.

See **Printing and deleting held jobs** for information.

Verifying print jobs

If you send a Verify Print job, the printer prints one copy and holds the remaining copies you requested from the driver in printer memory. Use Verify Print to examine the first copy to see if it is satisfactory before printing the remaining copies.

See **Printing and deleting held jobs** if you need help printing the additional copies stored in memory.

Note: Once all copies are printed, the Verify Print job is deleted from printer memory.

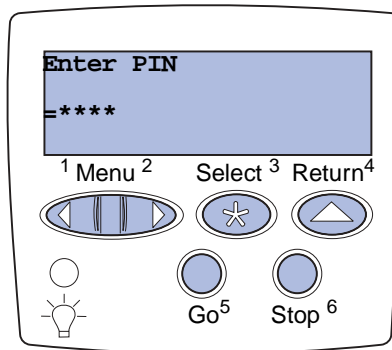
Printing confidential jobs

When you send a job to the printer, you can enter a personal identification number (PIN) from the driver. The PIN must be four digits using the numbers 1–6. The job is then held in printer memory until you enter the same four-digit PIN from the printer operator panel and choose to print or delete the job. This ensures that the job does not print until you are there to retrieve it, and no one else using the printer can print the job.

When you select Confidential Job from the Job Menu and then select your user name, the following prompt is displayed:

Enter PIN
=_____

Use the buttons on the operator panel to enter the four-digit PIN associated with your confidential job. The numbers next to the button names identify which button to press for each digit (1–6). As you enter the PIN, asterisks are displayed on the operator panel to ensure confidentiality.



If you enter an invalid PIN, the message **No Jobs Found. Retry?** appears. Press **Go** to reenter the PIN, or press **Stop** to exit the Confidential Job menu.

When you enter a valid PIN, you have access to all print jobs matching the user name and PIN you entered. The print jobs matching the PIN you entered appear on the display when you enter the Print A Job, Delete A Job, and Print Copies menu items. You can then choose to print or delete jobs matching the PIN you entered. (See [Printing and deleting held jobs](#) for more information.) After printing the job, the printer deletes the confidential job from memory.

6

Paper and specialty media specifications

The following table lists supported paper and specialty media sizes and weights for the standard and optional trays, as well as for the multipurpose feeder. We recommend that you try a limited sample of any paper or specialty media you are considering using with the printer before purchasing large quantities.

Source	Paper sizes supported	Maximum weight	Capacity (sheets)
Tray 1	A3, A4, A5, JIS B4, JIS B5, letter, legal, 8.5x13, 11x17, universal	64–105 g/m ² (17– 28 lb)	250 sheets (75 g/m ² [20 lb])
Trays 2 and 3 (250-sheet drawer)	A3, A4, A5, JIS B4, JIS B5, letter, legal, 8.5x13, 11x17, universal	64–200 g/m ² (17– 53 lb)	250 sheets (75 g/m ² [20 lb])
Trays 2 and 3 (500-sheet letter drawer)	Letter	64–90 g/m ² (17– 24 lb)	500 sheets (75 g/m ² [20 lb])
Trays 2 and 3 (500-sheet A4 drawer)	A4	64–90 g/m ² (17– 24 lb)	500 sheets (75 g/m ² [20 lb])
Multipurpose feeder	A3, A4, A5, JIS B4, JIS B5, letter, legal, executive, 8.5x13, statement, 11x17, universal	64–200 g/m ² (17– 53 lb)	<ul style="list-style-type: none"> 150 sheets of paper (75 g/m² [20 lb]) 75 sheets of labels or transparencies 50 Hagaki cards
	7¾, 10, DL, C5, other		10 envelopes

The following sections contain guidelines for choosing the correct print media for your printer.

Paper

For the best print quality, use 75 g/m² (20 lb) xerographic, grain long paper. Try a sample of any paper you are considering using with the printer before buying large quantities.

When loading paper, note the recommended print side on the paper package, and load paper accordingly. See [Loading the trays](#) and [Loading the multipurpose feeder](#) for detailed loading instructions.

The following papers are not recommended for use with your printer:

- Paper with a rough or heavily textured surface
- Coated papers, such as erasable bond
- Preprinted papers manufactured with chemicals that may contaminate the printer
- Multiple-part forms
- Synthetic papers
- Thermal papers
- Recycled paper having a weight less than 75 g/m² (20 lb)

Letterhead

Preprinted papers such as letterhead must be able to withstand temperatures up to 200°C (392°F) without melting or releasing hazardous emissions. Use inks that are not affected by the resin in toner or the silicone in the fuser. Inks that are oxidation-set or oil-based should meet these requirements; latex inks might not.

Printing on letterhead

Check with the manufacturer or vendor to determine whether the preprinted letterhead you have chosen is acceptable for laser printers.

To load letterhead in the:

- paper trays, see Loading the trays, [page 22](#)
- multipurpose feeder, see Loading the multipurpose feeder, [page 29](#)

Transparencies

You can feed transparencies from any of the trays. Try a sample of any transparencies you are considering using with the printer before buying large quantities.

To load transparencies in the:

- paper trays, see Loading the trays, [page 21](#)
- multipurpose feeder, see Loading the multipurpose feeder, [page 28](#)

When printing on transparencies:

- Be sure to set the Paper Type to Transparency from the printer driver.
- Use transparencies designed specifically for laser printers. Transparencies must be able to withstand temperatures of 175°C (347°F) without melting, discoloring, or releasing hazardous emissions.
- To prevent print quality problems, avoid getting fingerprints on the transparencies.
- Before loading transparencies, fan the stack to prevent sheets from sticking together.
- To avoid jams, remove each transparency as it exits into the output bin.

Labels

Your printer can print on many labels designed for use with laser printers. These labels are supplied in letter size and A4 size sheets. Label adhesives, face sheet (printable stock), and topcoats must be able to withstand temperatures of 205°C (401°F) without melting or releasing hazardous emissions and pressure of 25 pounds per square inch (psi).

Try a sample of any labels you are considering using with the printer before purchasing a large quantity.

Card stock

Card stock is single ply, and has a large array of properties, such as the orientation of paper fibers and texture, that can significantly affect the print quality.

Try a sample of any card stock you are considering using with the printer before purchasing a large quantity.

When printing on card stock:

- Set the Paper Type to Card Stock from the printer driver.
- Do not use preprinted card stock manufactured with chemicals that may contaminate the printer. Preprinting introduces semi-liquid and volatile components in the printer.
- Do not use card stock that is perforated or creased. It may cause print media jams.
- We recommend the use of grain short card stock.

For detailed information on label printing, card stock printing, characteristics, and design, refer to the *Card Stock & Label Guide* available on Lexmark's Web site at www.lexmark.com/publications.



Linking trays

- If you load the same size and type of paper or media in more than one tray, the printer automatically links the trays. This means that when one tray is empty, it feeds from the next linked tray.

For example, if you have the same size and type of paper or media loaded in tray 2 and tray 3, the printer feeds from tray 2 until it becomes empty, and then it feeds from the next linked tray—tray 3.

- If you load the same *size* paper or media in each tray, make sure it is also all the same *type* to link the trays.

Once the trays you selected are loaded with the same size and type of paper or media, select the same **Paper Type** setting in the **Paper Menu** for these sources.

- To disable tray linking, set the **Paper Type** to a unique value in each one of the trays.

8

Loading the trays

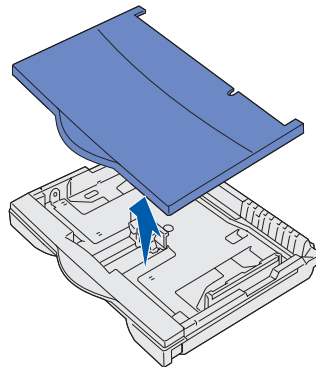
Loading 250-sheet trays

Follow the instructions in this section to load paper and specialty media into any of the 250-sheet trays. To load paper *longer* than A4 or letter size, go to [page 24](#).

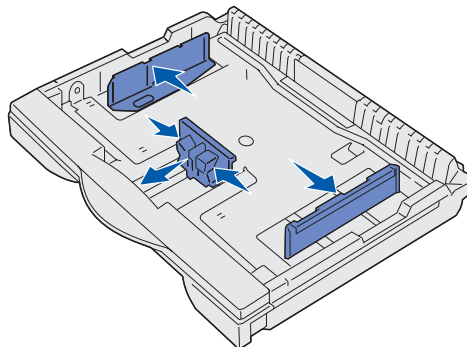
Note: Do not exceed the recommended capacity or media weights (see “[Paper and specialty media specifications](#)”).

Letter, A4, A5, or JIS B5 size paper

- 1 Remove the tray, and then set it on a flat surface.
- 2 Remove the tray cover.

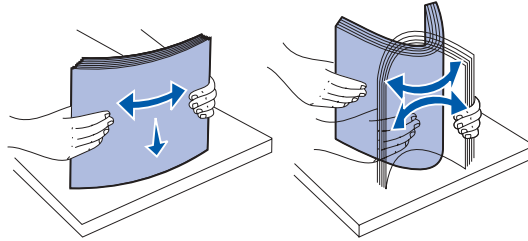


- 3 Squeeze the front guide lever and slide the guide to the front of the tray.



- 4 Slide the side guides toward the edges of the tray.

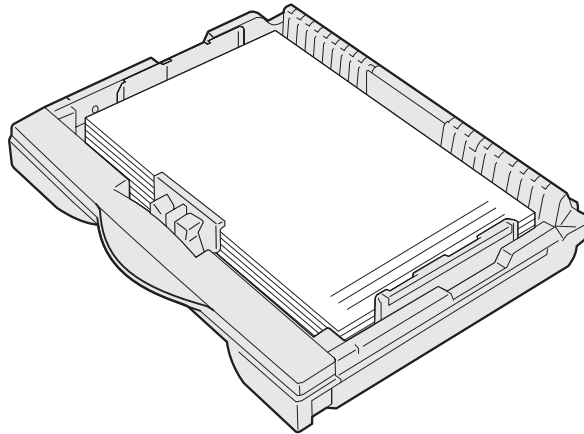
- 5 Flex the sheets back and forth to loosen them, and then fan them.



Do not fold or crease the paper. Straighten the edges of the stack on a level surface.

- 6 Place the paper or specialty media against the back of the tray.

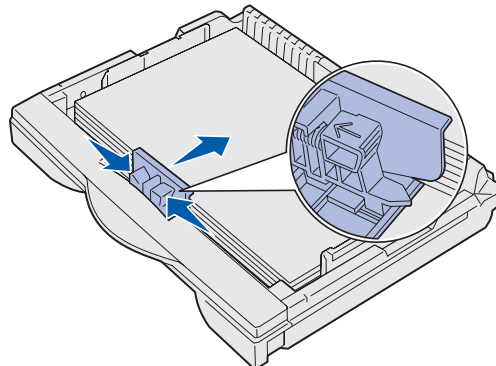
If loading letterhead, insert the letterhead face up, with the top of the page facing the right side guide.



Do not load bent or wrinkled paper.

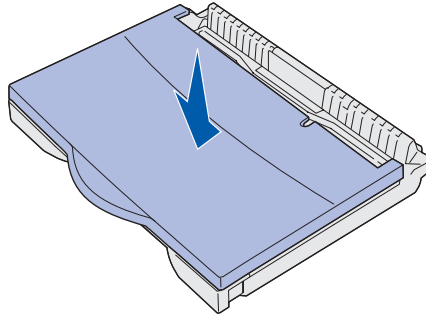
- 7 Slide the side guides until they lightly touch the stack of paper.
- 8 Squeeze the front guide lever and slide it back until it touches the stack of paper. The guide should be aligned with the correct indicator for the paper size loaded.

Make sure the edges of the paper fit underneath the extension on the front guide.



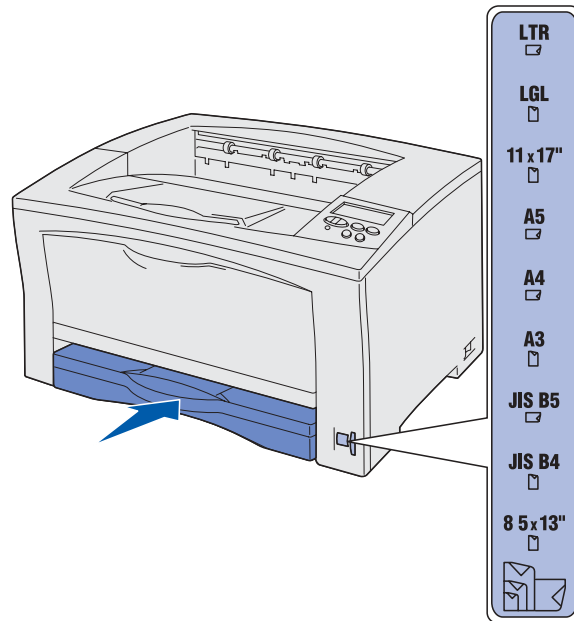
WARNING: Do not exceed the maximum stack height indicated on the tray. Overfilling the tray may cause jams.

- 9 Replace the tray cover.



- 10 Insert the tray.
- 11 Adjust the paper size dial to match the size of the paper loaded in the tray.

If the dial is not set correctly, you may get a paper jam or **34 Wrong Paper Size** message.



- 12 Select the paper type and paper source from your software application.

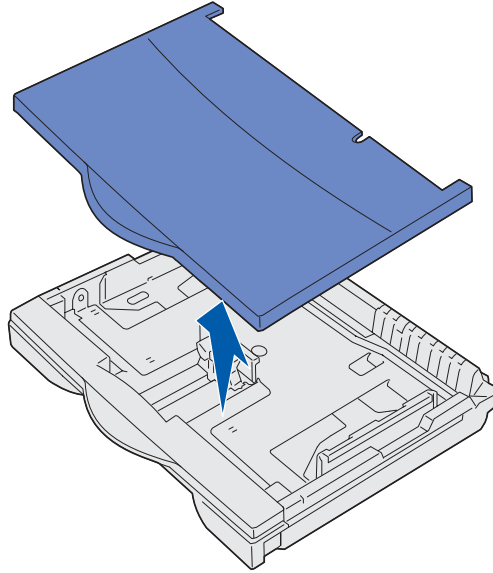
Note: If you installed an optional 250-sheet paper tray but are unable to select it from your printer driver, select the printer configuration or installed options tab in your printer driver and highlight the 250-sheet tray option, which tells your computer an optional tray is installed.

- 13 Press **Go** to start your print job.

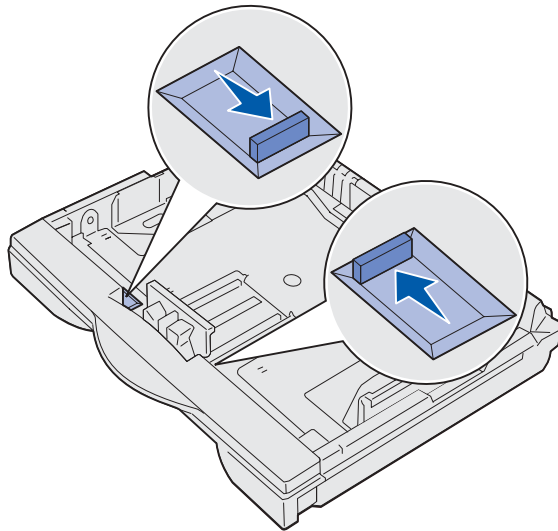
A3, JIS B4, legal, 8.5x13, or 11x17 size paper

Extend the paper tray to load paper longer than A4 or letter size.

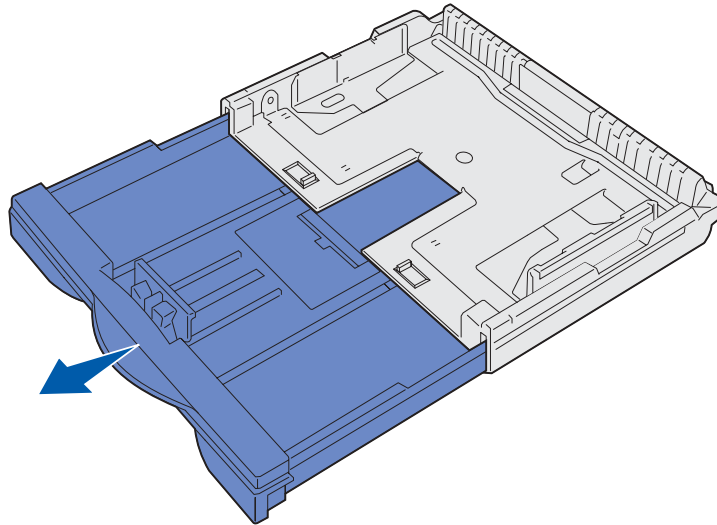
- 1** Remove the tray, and then set it on a flat surface.
- 2** Remove the tray cover.



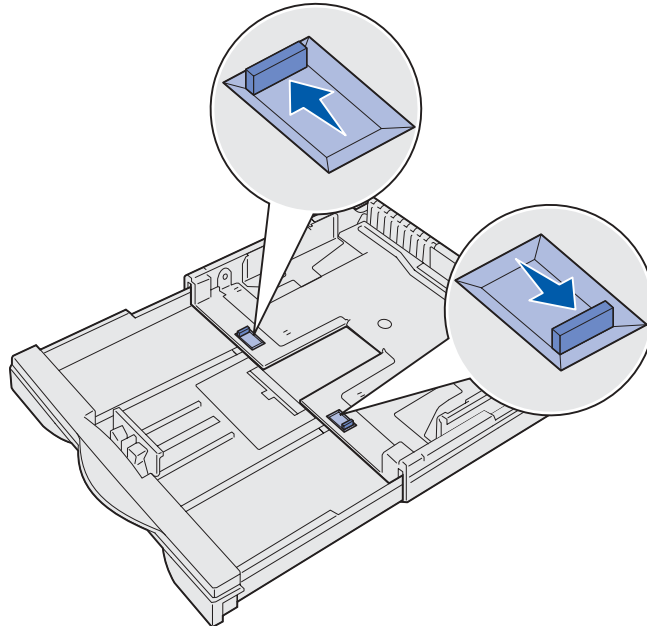
- 3** Slide the locking mechanisms on the left and right sides of the tray inward to unlock the extension.



- 4 Pull the extension out until it stops.



- 5 Slide the locking mechanisms outward to lock the extension in place.



- 6 Follow steps 3 through 10 beginning on [page 21](#) to finish loading the tray.
- 7 Adjust the paper size dial to match the size of the paper loaded in the tray.
If the dial is not set correctly, you may get a paper jam or 34 **Wrong Paper Size** message
- 8 Select the paper type and paper source from your software application.

Note: If you installed an optional 250-sheet paper tray but are unable to select it from your printer driver, select the printer configuration or installed options tab in your printer driver and highlight the 250-sheet tray option, which tells your computer an optional tray is installed.

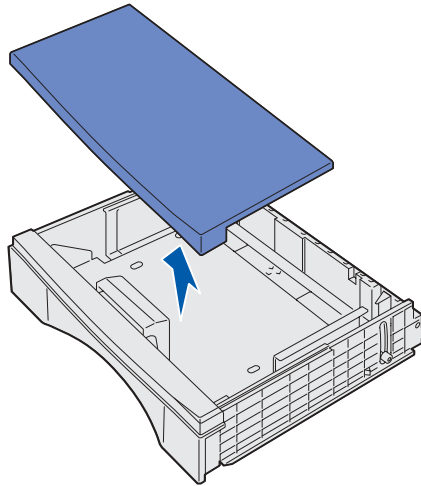
- 9 Press **Go** to start your print job.

Loading 500-sheet trays

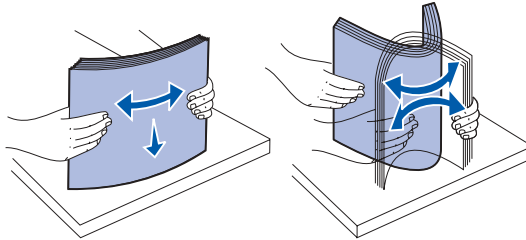
Follow these instructions to load paper into a 500-sheet tray.

Note: Do not exceed the recommended capacity or media weights (see “**Paper and specialty media specifications**”).

- 1 Remove the tray, and then set it on a flat surface.
- 2 Remove the tray cover.



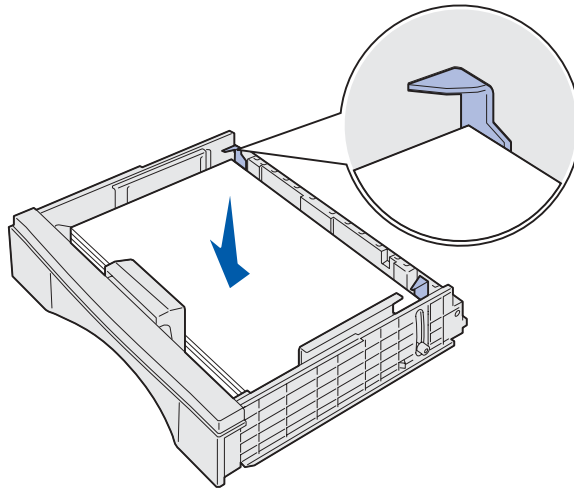
- 3 Flex the sheets back and forth to loosen them, and then fan them.



Do not fold or crease the paper. Straighten the edges of the stack on a level surface.

- 4 Place the paper against the back of the tray.

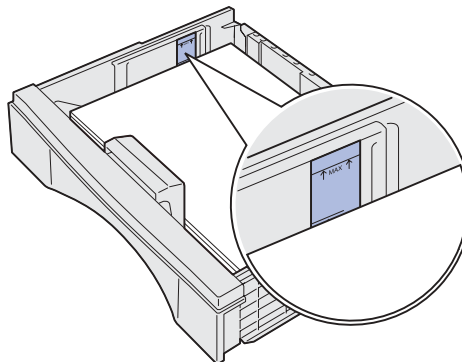
- 5 Make sure the paper fits easily under the two corner bucklers.



- 6 Replace the tray cover.

- 7 Insert the tray.

Note: Do not exceed the maximum stack height indicated on the tray.
If you have frequent paper jams, try loading the paper to the lower stack height line.



- 8 Select the paper type and paper source from both the operator panel and your software application.

Note: If you installed an optional 500-sheet paper tray but are unable to select it from your printer driver, select the printer configuration or installed options tab in your printer driver and highlight the 500-sheet tray option, which tells your computer an optional tray is installed.

- 9 Press **Go** to start your print job.

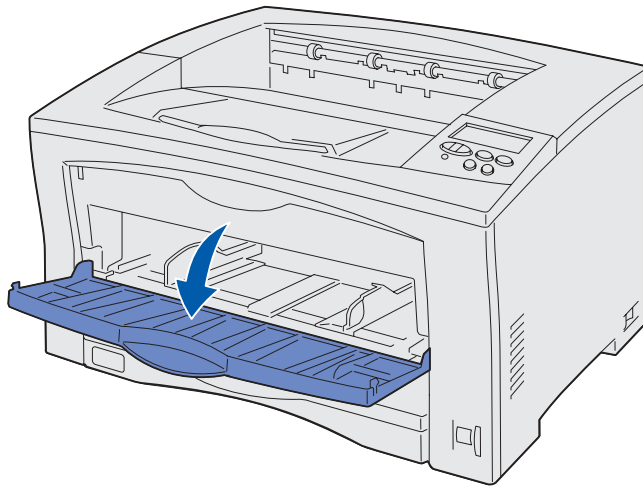
9

Loading the multipurpose feeder

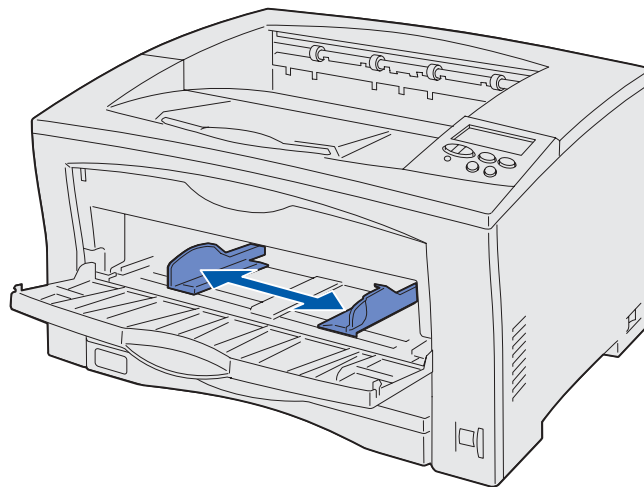
Use the multipurpose feeder for paper, specialty media (transparencies and label sheets), envelopes, and Hagaki cards.

Note: Do not exceed the recommended capacity or media weights (see “**Paper and specialty media specifications**”).

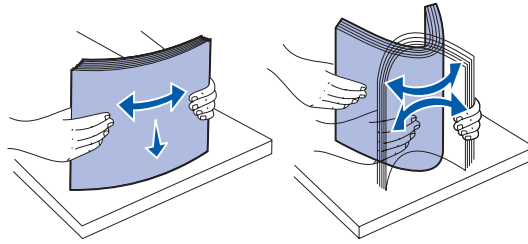
- 1 Open the multipurpose feeder.



- 2 Slide the side guides to the correct position for the size paper or specialty media you are loading.

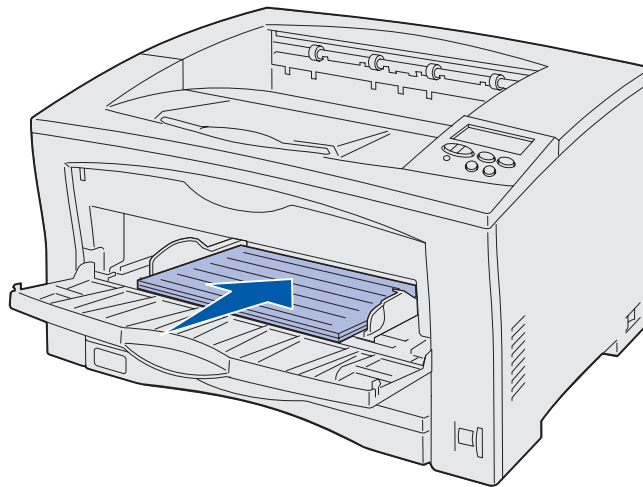


- 3 Flex the sheets back and forth to loosen them, and then fan them.



Do not fold or crease the paper. Straighten the edges of the stack on a level surface.

- 4 Insert the paper or specialty media, print side up, into the multipurpose feeder.

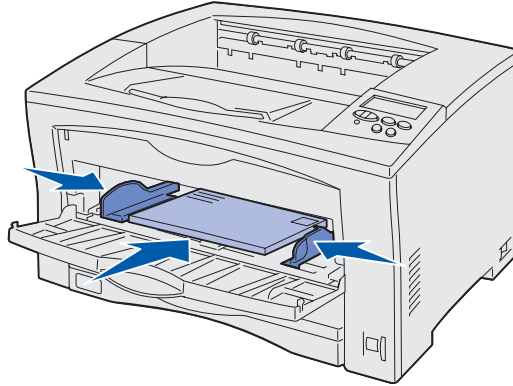


Note: To avoid jams when printing transparencies, we recommend you remove each one as it exits into the output bin.

- 5 Select the paper size, paper type and paper source from both the operator panel and your software application.
- 6 Press **Go** to start your print job.

Printing envelopes

- 1** Insert the envelopes print side up, flap down, into the multipurpose feeder.



- 2** Slide the side guides to fit the width of the envelopes.
- 3** Select the paper size, paper type, and paper source from both the operator panel and your software application.
- 4** Press **Go** to start your print job.



Tips for successful printing

Storing paper

Use the following guidelines to avoid paper feeding problems and uneven print quality.

- Store paper in an environment where the temperature is approximately 21°C (70°F) and the relative humidity is 40%.
- Store cartons of paper on a pallet or shelf rather than directly on the floor.
- If you store individual packages of paper out of the original carton, make sure they rest on a flat surface so the edges do not buckle or curl.
- Do not place anything on top of paper packages.

Storing supplies

Choose a cool, clean storage area for your printer supplies. Store supplies *right side up* in their original packaging until you are ready to use them.

Do not expose supplies to:

- Direct sunlight
- Temperatures above 35°C (95°F)
- High humidity (above 80%)
- Salty air
- Corrosive gases
- Heavy dust

Avoiding jams

You can avoid most paper jams by correctly loading paper and media in the printer.

See the following for loading instructions:

- **Loading the trays**
- **Loading the multipurpose feeder**

The following hints can help you avoid paper jams:

- Use only recommended paper. Refer to the *Card Stock & Label Guide* available on Lexmark's Web site at www.lexmark.com for more information about which paper provides optimum results for your printing environment.
- If you need detailed information before purchasing large quantities of customized paper, refer to the *Card Stock & Label Guide*.
- Do not load wrinkled, creased, or damp paper.
- Flex, fan, and straighten paper before you load it.
- Do not overload the trays or the multipurpose feeder. Make sure the stack height does not exceed the maximum height indicated.
- Push all trays *firmly* into the printer after loading them.
- Make sure the guides in the trays are properly positioned for the size paper you have loaded.
- Do not load paper in a tray while a job is printing. Wait for a **Load Tray <x>** message before you remove the tray from the printer.

You may remove another tray and load it so long as the print job is not selecting the paper from it.

- If a jam occurs, clear it. See [Clearing jams](#) for more information.

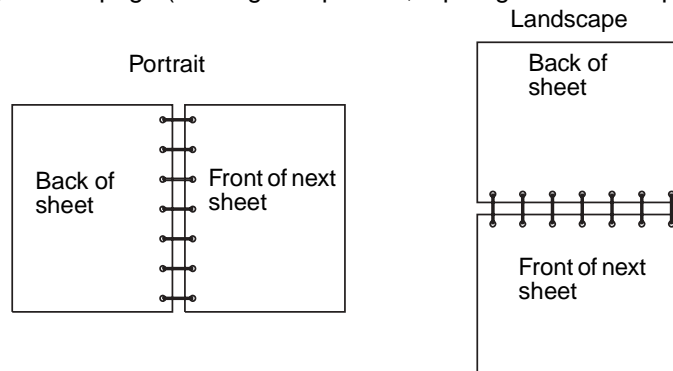
11

Using the optional duplex unit

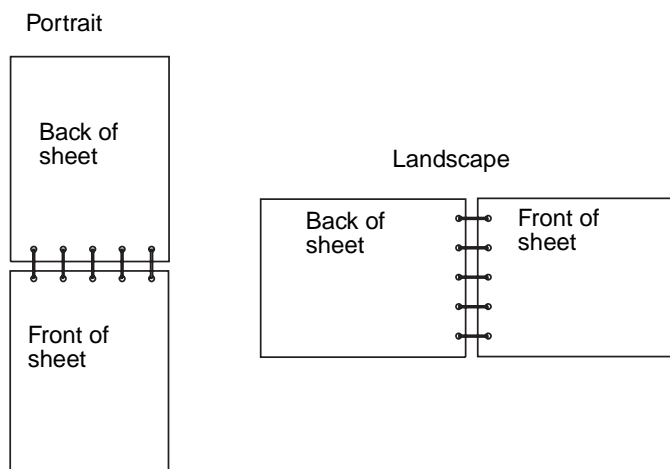
Duplexing your print jobs conserves supplies and reduces costs. To print a duplex job, select Duplex from your printer driver.

Note: To avoid paper jams when duplexing universal size jobs, make sure the paper size is between 148 mm–297 mm (5.8 in.–11.7 in.) wide and 148 mm–508 mm (5.8 in.–20 in.) long.

Choose how you want your job duplexed: Long Edge or Short Edge. Long Edge means pages are bound along the long edge of the page (left edge for portrait, top edge for landscape).



Short Edge means the pages are bound along the short edge of the page.



Note: If you installed the optional duplex unit but are unable to select it from your printer driver, select the printer configuration or installed options tab in your printer driver and highlight the duplex option, which tells your computer the duplex option is installed.

12

Checking an unresponsive printer

Sometimes printer problems are very easy to solve. If your printer is not responding, first make sure:

- The power cord is plugged into the printer and a properly grounded electrical outlet.
- The electrical outlet is not turned off by any switch or breaker.
- Other electrical equipment plugged into the outlet is working.
- The printer is turned on.
- The printer cable is securely attached to the printer and the host computer, print server, option, or other network device.

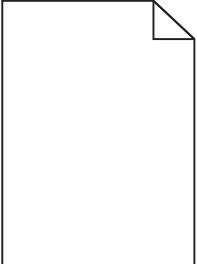

Once you have checked each of these possibilities, turn the printer off and back on. This often fixes the problem.


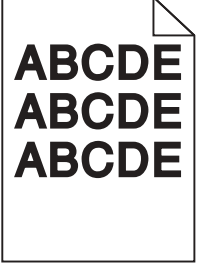

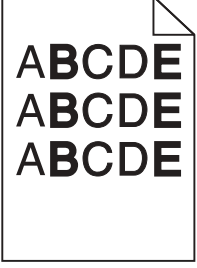
13

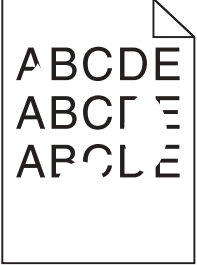
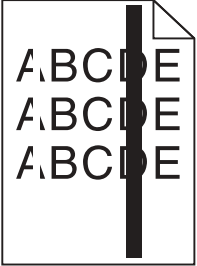
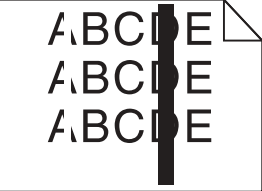
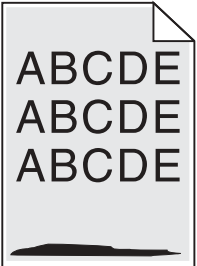
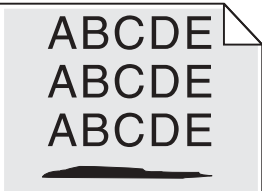
Solving print quality problems

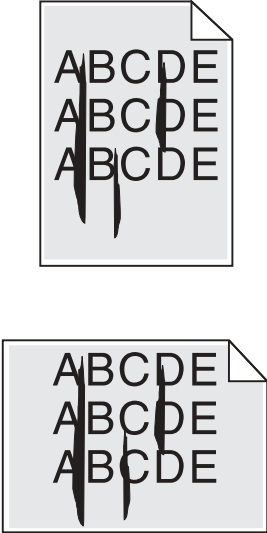
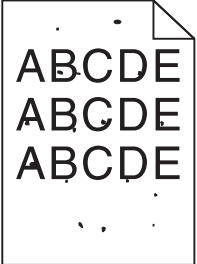
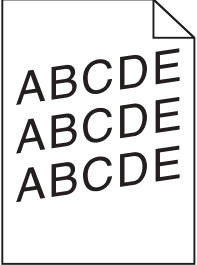
You can solve many print quality problems by replacing a supply or maintenance item that has reached the end of its intended life. Check the operator panel for a message about a printer consumable. See **Determining the status of supplies** for information about other ways to identify consumables that need to be replaced.

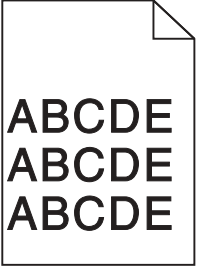
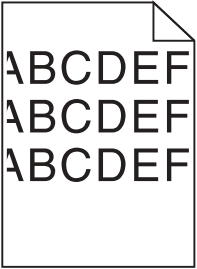
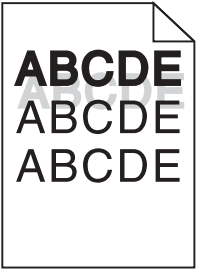
Use the following table to find solutions to print quality problems.

Symptom	Cause	Solution
Blank pages 	The print cartridge is defective or empty.	Replace the print cartridge. See Replacing the print cartridge .
Black pages 	<ul style="list-style-type: none"> The print cartridge is defective. Your printer requires servicing. 	<ul style="list-style-type: none"> Replace the print cartridge. See Replacing the print cartridge. Call for service.

Symptom	Cause	Solution
<p>Print too light</p> 	<ul style="list-style-type: none"> • The Toner Darkness setting is too light. • You are using paper that does not meet the printer specifications. • The print cartridge is low on toner. • The print cartridge is defective or has been installed in more than one printer. 	<ul style="list-style-type: none"> • Select a different Toner Darkness setting from the printer driver before sending the job to print. • Use recommended paper and specialty media. Refer to the <i>Card Stock & Label Guide</i> available on Lexmark's Web site at www.lexmark.com for detailed specifications. • Load paper from a new package. • Avoid textured paper with rough finishes. • Make sure the paper you load in the trays is not damp. • Remove the print cartridge and shake it gently back and forth to use the remaining toner. • Replace the print cartridge. See Replacing the print cartridge.
<p>Print too dark</p> 	<ul style="list-style-type: none"> • The Toner Darkness setting is too dark. • The print cartridge is defective. 	<ul style="list-style-type: none"> • Select a different Toner Darkness setting from the printer driver before sending the job to print. • Replace the print cartridge. See Replacing the print cartridge.
<p>Gray background</p> 	<ul style="list-style-type: none"> • The Toner Darkness setting is too dark. • The print cartridge is defective. 	<ul style="list-style-type: none"> • Select a different Toner Darkness setting from the printer driver before sending the job to print. • Replace the print cartridge. See Replacing the print cartridge.
<p>Uneven print density</p> 	<p>The print cartridge is defective.</p>	<p>Replace the print cartridge. See Replacing the print cartridge.</p>

Symptom	Cause	Solution
<p>Print irregularities</p> 	<ul style="list-style-type: none"> • Paper has absorbed moisture due to high humidity. • You are using paper that does not meet the printer specifications. • The fuser is worn or defective. 	<ul style="list-style-type: none"> • Load paper from a fresh package in the paper tray. For information on storing paper, see Storing paper. • Use recommended paper and specialty media. Avoid textured paper with rough finishes. Refer to the <i>Card Stock & Label Guide</i> available on Lexmark's Web site for detailed specifications. • Replace the fuser. See Replacing the fuser.
<p>White or black line</p>  	<p>Either the print cartridge or the fuser is defective.</p>	<ol style="list-style-type: none"> 1 First, replace the print cartridge. See Replacing the print cartridge. 2 If you still have the problem, replace the fuser. See Replacing the fuser.
<p>Streaked horizontal lines</p>  	<p>The print cartridge or fuser may be defective, empty, or worn.</p>	<p>Replace the print cartridge or fuser as needed. See Replacing the print cartridge or Replacing the fuser for more information.</p>

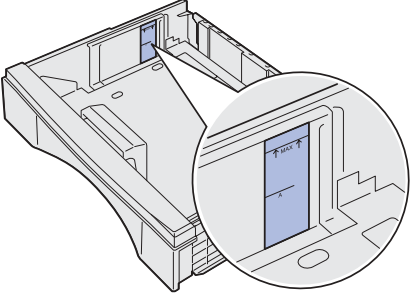
Symptom	Cause	Solution
<p>Streaked vertical lines</p> 	<p>Toner is smeared before fusing to the paper.</p>	<p>If paper is stiff, try feeding from another tray.</p>
<p>Toner specks</p> 	<ul style="list-style-type: none"> • The print cartridge is defective. • The fuser is worn or defective. • Toner is in the paper path. 	<ul style="list-style-type: none"> • Replace the print cartridge. See Replacing the print cartridge. • Replace the fuser. See Replacing the fuser. • Call for service.
<p>Toner rubs off the paper easily when you handle the sheets.</p>	<p>The Type setting is wrong for the type of paper or specialty media you are using.</p>	<p>Change Paper Type from Plain Paper to Bond.</p>
<p>Skewed print</p> 	<p>Guides in the selected tray are not in the correct position for the paper size loaded in the tray.</p>	<p>Move the guides in the tray to the proper positions for the size loaded. See Loading the trays for detailed instructions on adjusting the guides in each tray.</p>

Symptom	Cause	Solution
<p data-bbox="246 245 454 273">Incorrect margins</p> 	<ul data-bbox="571 245 899 546" style="list-style-type: none"> • Guides in the selected tray are set for a different size paper than what is loaded in the tray. • Auto size sensing is set to Off, but you loaded a different size paper in a tray. For example, you inserted A4 size paper into the selected tray but did not set the Paper Size to A4. 	<ul data-bbox="912 245 1377 415" style="list-style-type: none"> • Move the guides in the tray to the proper positions for the size loaded. See Loading the trays for detailed instructions on adjusting the guides in each tray. • Set the Paper Size to A4.
<p data-bbox="246 592 428 619">Clipped images</p> 	<p data-bbox="571 592 899 674">Guides in the selected tray are set for a different size paper than what is loaded in the tray.</p>	<p data-bbox="912 592 1377 701">Move the guides in the tray to the proper positions for the size loaded. See Loading the trays for detailed instructions on adjusting the guides in each tray.</p>
<p data-bbox="246 938 409 966">Ghost images</p> 	<p data-bbox="571 938 899 993">Toner level is low in the print cartridges.</p>	<ul data-bbox="912 938 1377 1163" style="list-style-type: none"> • Make sure the Paper Type setting is correct for the paper or specialty media you are using. • Remove the print cartridge and shake it gently back and forth to use the remaining toner. • Replace the print cartridge. See Replacing the print cartridge.
<p data-bbox="246 1295 542 1375">The paper curls badly once it prints and exits to the output bin.</p>	<p data-bbox="571 1295 899 1375">The Type setting is wrong for the type of paper or specialty media you are using.</p>	<p data-bbox="912 1295 1377 1350">Change Paper Type from Bond to Plain Paper.</p>

14

Solving paper feed problems

Symptom	Cause	Solution
Paper frequently jams.	You are using paper that does not meet the printer specifications.	Use recommended paper and specialty media. Refer to the <i>Card Stock & Label Guide</i> available on Lexmark's Web site at www.lexmark.com for detailed specifications. See Clearing jams for more information. See Avoiding jams for information that can help prevent jams from occurring.
	You have loaded too much paper or too many envelopes.	Make sure the stack of paper you load does not exceed the maximum stack height indicated at the back of the tray or on the multipurpose feeder.
Paper frequently jams (continued).	Guides in the selected tray are not set to the appropriate position for the size paper loaded.	Move the guides in the tray to the correct position. See Loading the trays for detailed instructions.
	You did not change the paper size dial.	Select the size on the dial that matches the size of the paper loaded in the tray. Note: If you want to select the universal size setting, it is the last icon on the dial.
	The paper has absorbed moisture due to high humidity.	Load paper from a fresh package. Store paper in its original wrapper until you load it. See Storing paper for more information.
	The paper pick rollers are worn and dirty.	Replace the pick rollers. See Calling for service .

Symptom	Cause	Solution
<p>Paper frequently jams (continued).</p>	<p>The paper frequently jams in the optional 500-sheet tray.</p>	<p>Load the paper to the stack height indicated with an A.</p> 
<p>Paper jams when duplexing Universal size paper.</p>	<p>The Universal paper size selected is outside the range for duplexed jobs.</p>	<p>Use paper between 148 mm–297 mm (5.8 in.–11.7 in.) wide and 148 mm–508 mm (5.8 in.–20 in.) long.</p>
<p>The Paper Jam message remains after you remove the jammed paper.</p>	<p>There is still a jam in the paper path.</p>	<p>1 Open and close the top cover to clear the message. 2 Check the entire paper path. See Clearing jams for more information.</p>
<p>The page that jammed does not reprint after you clear the jam.</p>	<p>Jam Recovery in the Setup Menu is set to Off.</p>	<p>Set Jam Recovery to Auto or On.</p>

15

Solving printing problems

Symptom	Cause	Solution
The operator panel display is blank or displays only diamonds.	The printer self test failed.	Turn the printer off, wait about 10 seconds, and turn the printer back on. Performing Self Test appears on the display. When the test is completed, the Ready message is displayed. If the messages do not appear, turn the printer off and call for service.
Jobs do not print.	The printer is not ready to receive data.	Make sure Ready or Power Saver appears on the display before sending a job to print. Press Go to return the printer to the Ready state.
	The output bin is full.	Remove the stack of paper from the output bin, and then press Go .
	The specified tray is empty.	Load paper in the tray. See Loading the trays for detailed instructions.

Symptom	Cause	Solution
Jobs do not print (continued).	You are using the wrong printer driver or are printing to a file.	<ul style="list-style-type: none"> Verify that you selected the printer driver associated with your Lexmark W812 printer. If you are using a USB port, make sure you are running Windows 98, Windows Me, or Windows 2000, and using a Windows 98, Windows Me, or Windows 2000 compatible printer driver.
	Your MarkNet™ print server is not set up properly or is not connected properly.	Verify that you have properly configured the printer for network printing. Refer to the drivers CD or to Lexmark's Web site for information.
	You are using the wrong interface cable, or the cable is not securely connected.	Make sure you are using a recommended interface cable. Refer to the <i>Setup Guide</i> for cable specifications.
Held jobs do not print.	A formatting error has occurred.	<ul style="list-style-type: none"> Print the job. (Only part of the job may print.) Delete the job. Free up additional printer memory by scrolling through the list of held jobs and deleting others you have sent to the printer.
	The printer has insufficient memory.	
	The printer has received invalid data.	Delete the job.
Job takes longer than expected to print.	The job is too complex.	Reduce the complexity of your print job by eliminating the number and size of fonts, the number and complexity of images, and the number of pages in the job.
	Page Protect is set to On.	<p>Set Page Protect to Off from the Setup Menu.</p> <ol style="list-style-type: none"> Press Menu until you see Setup Menu, and then press Select. Press Menu until you see Page Protect, and then press Select. Press Menu until you see Off, and then press Select.
Job prints from the wrong tray or on the wrong paper or media.	Printer driver settings are incorrect.	Make sure the Paper Size and Paper Type specified in the printer driver are correct for the job you are printing.
You cannot find the universal setting on the paper size dial.	There is no paper size identifying universal on the paper size dial.	Look at the last icon on the paper size dial. The universal setting is indicated with a picture only.
Incorrect characters print.	You are using an incompatible parallel cable.	If you are using a parallel interface, make sure you are using an IEEE 1284-compliant parallel cable. We recommend Lexmark part number 1329605 (10 ft) or 1427498 (20 ft) for the standard parallel port.
	The printer is in Hex Trace mode.	If Ready Hex appears on the display, you must exit Hex Trace mode before you can print your job. Turn the printer off and back on to exit Hex Trace mode.

Symptom	Cause	Solution
Tray linking does not work.	Tray linking is not configured properly.	To configure the linked trays: <ul style="list-style-type: none"> • Make sure the Tray x Type value in the Paper Type menu item in the Paper Menu is the same for all linked trays. • Make sure the Tray x Size value in the Paper Size menu item in the Paper Menu is the same for all linked trays.
Large jobs do not collate.	Collate is not set to On.	Set Collation to On in the Finishing Menu or through the printer driver.
	The job is too complex.	Reduce the complexity of the print job by eliminating the number and size of fonts, the number and complexity of images, and the number of pages in the job.
	The printer does not have enough memory.	Add printer memory or an optional hard disk. Refer to the <i>Setup Guide</i> for information on selecting memory options to install.
Unexpected page breaks occur.	The job has timed out.	Set Print Timeout to a higher value from the Setup Menu .

16

Solving other option problems

Symptom	Cause	Solution
The option does not operate correctly after it is installed, or it stops working.	The option is not installed correctly.	Remove the option, and then reinstall it.
	Cables connecting the option to the printer are not attached correctly.	Check the cable connections. Refer to the <i>Setup Guide</i> for instructions.
	The printer driver does not recognize that the option is installed.	Your printer driver may not automatically recognize that an option is attached to your printer. Look at the driver settings and verify that all the printer configuration settings are correct.



Calling for service

When you call for printer service, describe the problem you are experiencing, the message on the display, and the troubleshooting steps you have already taken to find a solution.

You need to know your printer model type and serial number. Refer to the label on the back of the printer near the power cord for this information.

Note: The serial number is also listed on the menu settings page you can print from the Utilities Menu. See [Printing a menu settings page](#) for more information.

For service in the U.S., call 1-859-232-3000. For other countries or regions, refer to the numbers listed on the drivers CD.

18

Understanding jam messages

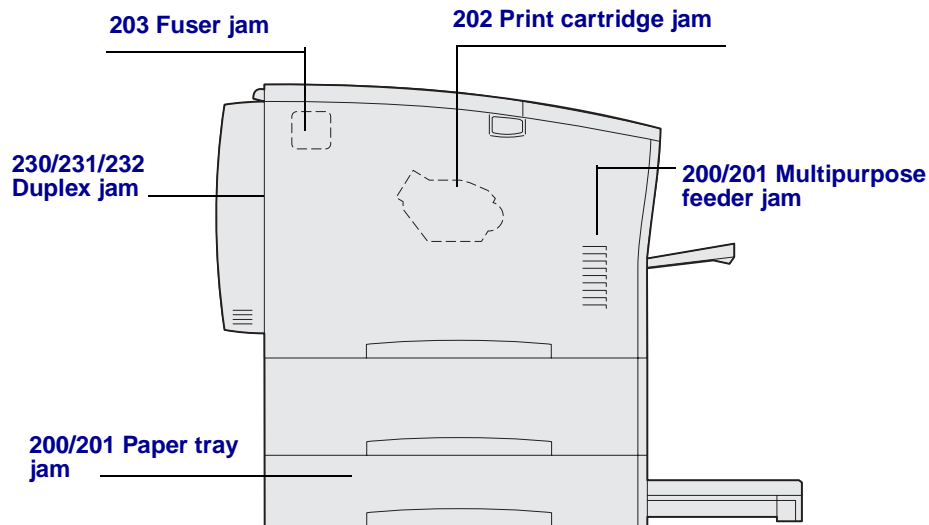
Paper jam messages

Message	Area where jam occurs	See...
200 Paper Jam Open Top Cover 200 Paper Jam Check Trays	In or behind any of the paper trays or the multipurpose feeder	Clearing 200/201 jams from the paper tray Clearing 200/201 jams from the multipurpose feeder
201 Paper Jam Open Top Cover 201 Paper Jam Check Trays		
202 Paper Jam Open Top Cover	Underneath the print cartridge	Clearing 202 jams from the print cartridge
203 Paper Jam Open Top Cover	In the fuser	Clearing 203 jams from the fuser
230 Paper Jam Check Duplex	At the top of the fuser, in either the upper or lower cover of the duplex unit, or underneath the print cartridge	Clearing 230/231/232 jams from the duplex unit
231 Paper Jam Check Duplex		
232 Paper Jam Check Duplex		

19 Clearing jams

When a jam occurs, the printer displays a **2xx Paper Jam** message and stops printing. Once you clear the jam, open and close the top cover to clear the message and resume printing.

Click any of the messages below for instructions on clearing the jam.

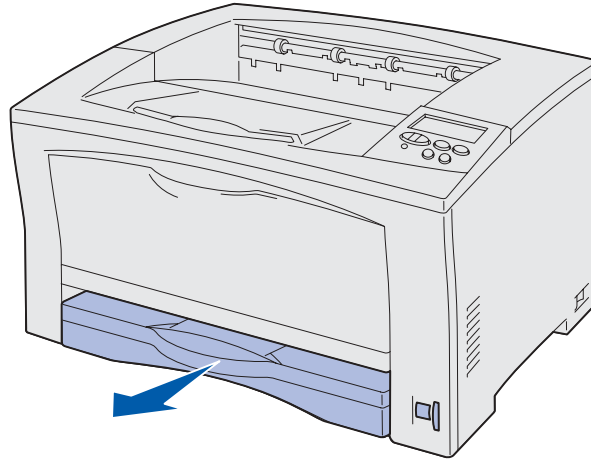


A **200 Paper Jam** may occur when the printer is turned off while a job is printing. A **201 Paper Jam** occurs when paper does not feed correctly from the tray or multipurpose feeder.

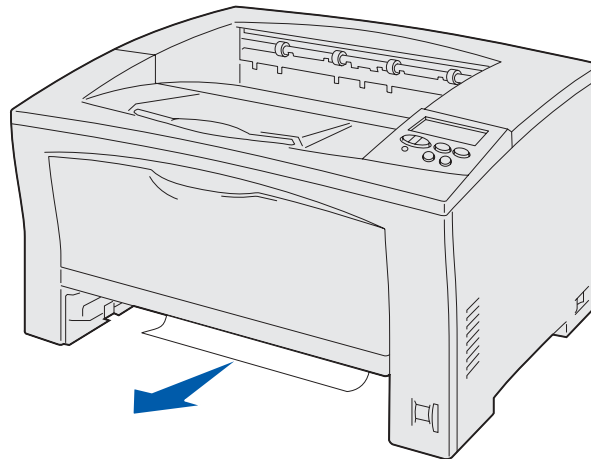
Clearing 200/201 jams from the paper tray

Paper may get jammed in the tray or lodged behind the tray. To clear the jam:

- 1** Pull out the tray the printer is using for the current job, and then remove the tray cover.



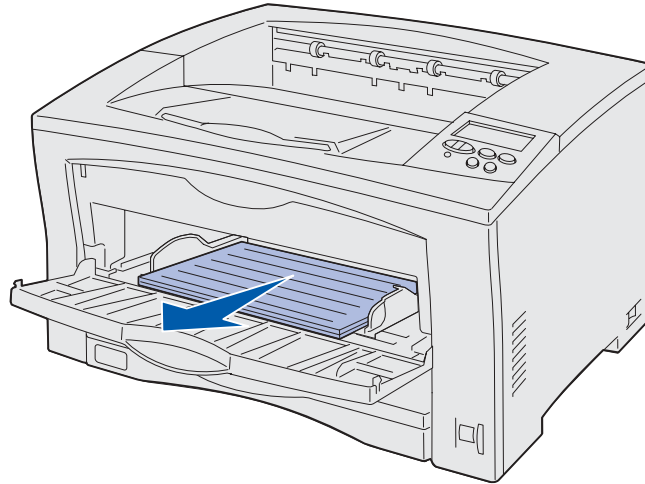
- 2** If the paper jammed in the tray, remove it.
- 3** Check inside the tray area for any jammed paper and remove it.



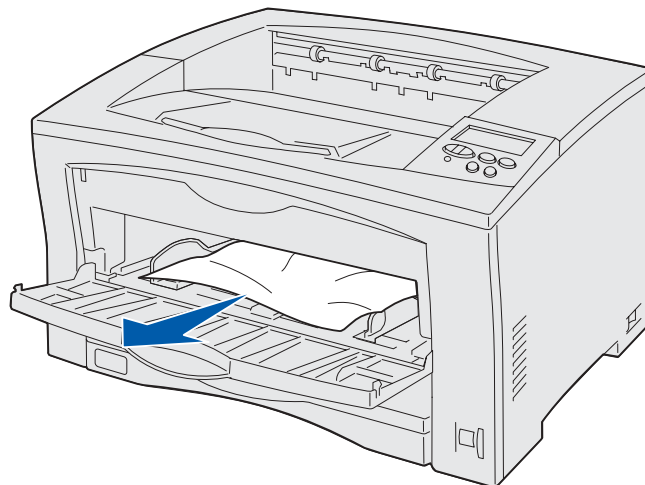
- 4** Replace the cover, and then reinsert the tray.
- 5** Open and close the top cover to clear the message.

Clearing 200/201 jams from the multipurpose feeder

- 1 Open the multipurpose feeder and remove any paper from the tray.



- 2 If paper is jammed inside the multipurpose feeder, remove it.



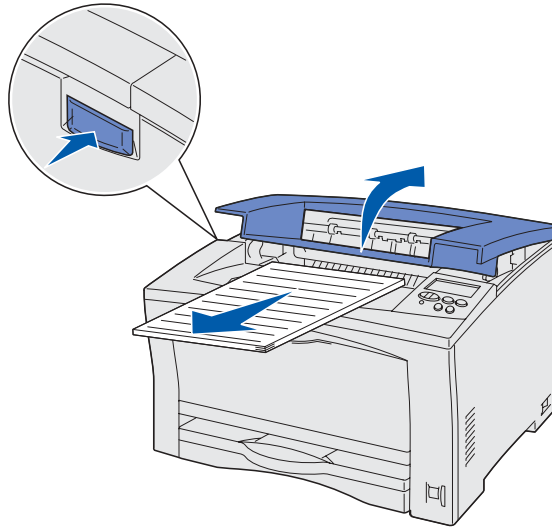
- 3 Open and close the top cover to clear the message.

Clearing 203 jams from the fuser

A 203 **Paper Jam** occurs when paper jams in the fuser. To clear the jam:

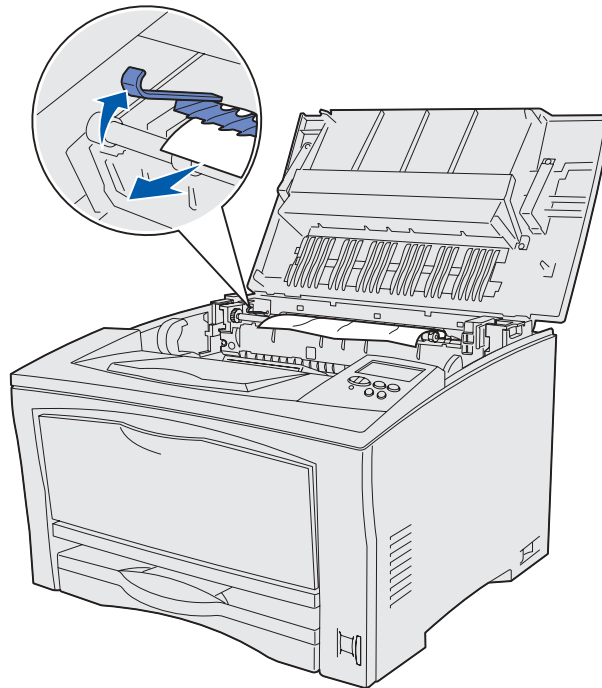
- 1 Remove any paper in the output tray.

- 2 Press the release button on the left side of the printer to open the top cover.



CAUTION: The fuser may be hot. Let it cool before continuing.

- 3 Raise the fuser paper guide and remove any jammed paper.

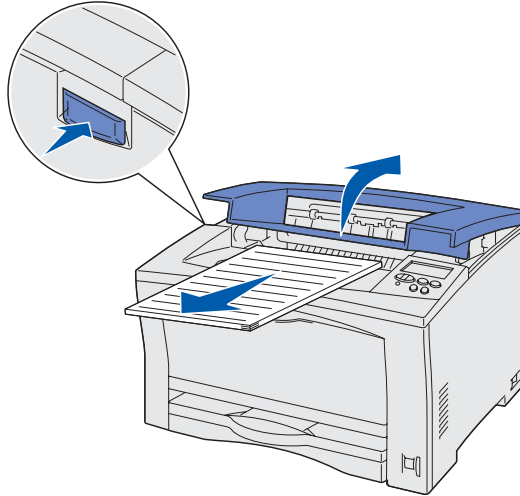


- 4 Lower the fuser paper guide.
- 5 Close the top cover to clear the message.

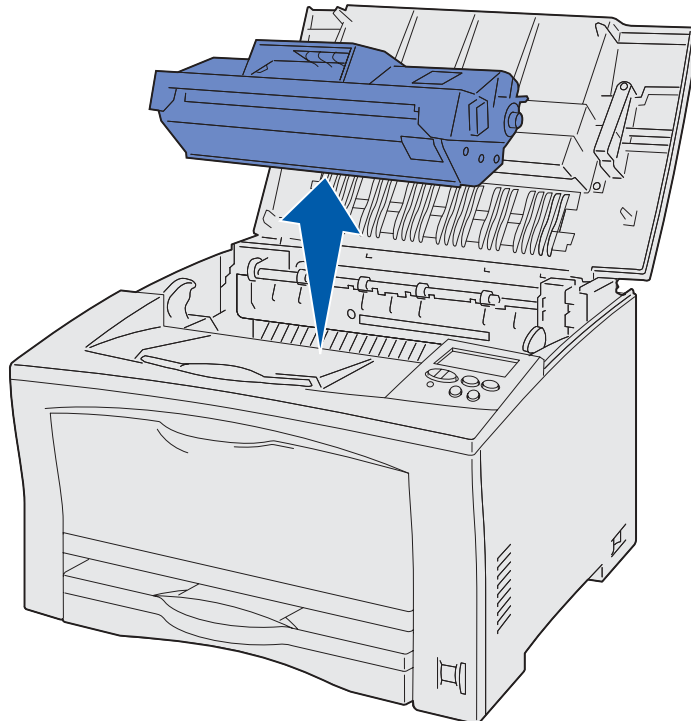
Clearing 202 jams from the print cartridge

A 202 Paper Jam occurs after paper has left the paper tray but has not reached the fuser. To clear the jam:

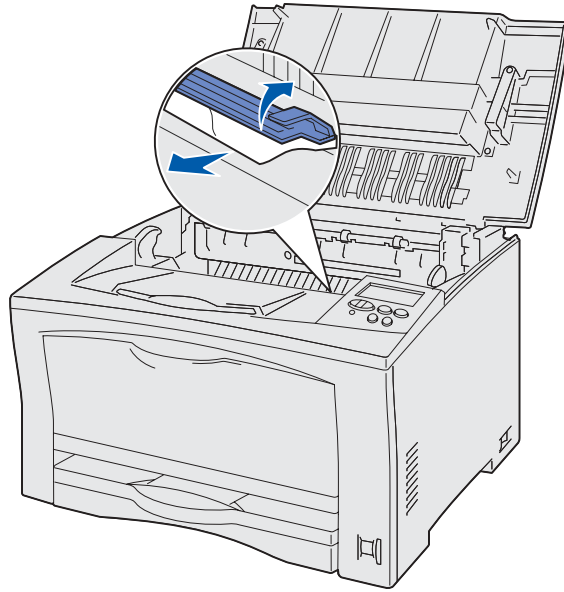
- 1 Remove any paper in the output tray.
- 2 Press the release button on the left side of the printer to open the top cover.



- 3 Remove the print cartridge, and then set it aside.



- 4 Open the print cartridge paper guide lever and remove any jammed paper.



- 5 Close the print cartridge paper guide lever.
- 6 Reinsert the print cartridge.
- 7 Close the top cover to clear the message.

Clearing 230/231/232 jams from the duplex unit

A **230 Paper Jam** occurs when paper jams at the top of the fuser before going through the duplex unit upper cover, or after it enters the duplex unit upper cover.

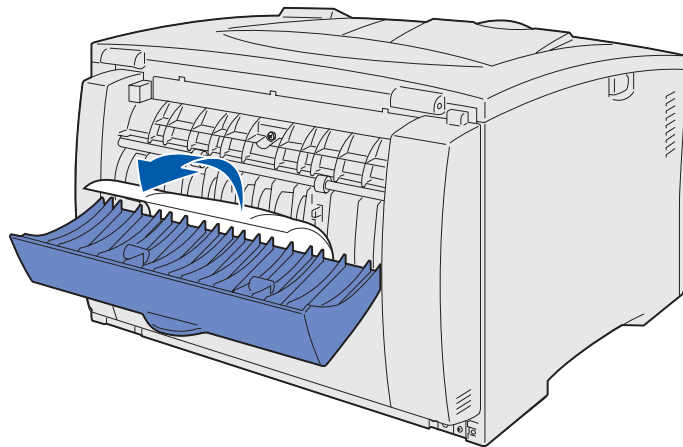
A **231 Paper Jam** occurs when paper passes through the duplex unit upper cover and jams in the duplex unit lower cover.

A **232 Paper Jam** occurs when paper enters in the duplex unit lower cover, or after it passes through the duplex unit lower cover and jams underneath the print cartridge.

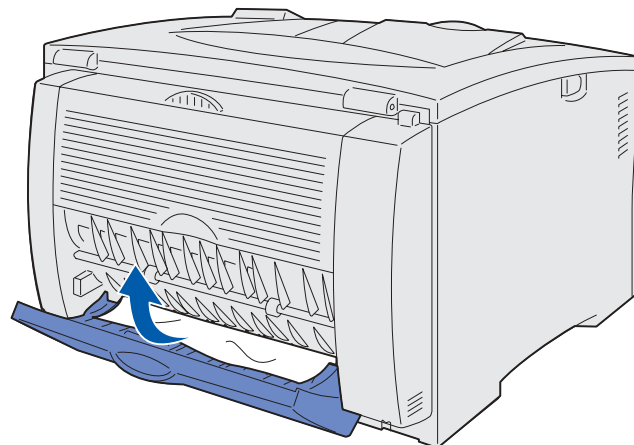
To clear the jam:

- 1 Check for paper on top of the fuser and remove it. (See **Clearing 203 jams from the fuser** for help.)
- 2 Open the duplex unit upper cover.

- 3 Check for any jammed paper and remove it.



- 4 Close the duplex unit upper cover.
- 5 Open the duplex unit lower cover.
- 6 Check for any jammed paper and remove it.



- 7 Close the duplex unit lower cover.
- 8 Remove the print cartridge and remove any jammed paper. (See [Clearing 202 jams from the print cartridge](#) for help.)
- 9 Reinsert the print cartridge.
- 10 Close the top cover to clear the message.

20

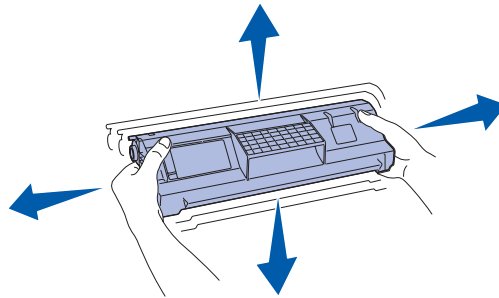
Ordering supplies

In the U.S., contact Lexmark at 1-800-539-6275 for information about Lexmark Authorized Supplies Dealers in your area. In other countries/regions, visit the Lexmark Web site at www.lexmark.com or contact the place where you bought your printer.

You can also visit the Lexmark online store at www.lexmark.com to order supplies. Click the Web link on the bottom of this page.

Ordering a print cartridge

When the **Toner Low** message appears on the display, check that you have a new print cartridge, P/N 14K0050, on hand. To use the remaining toner, remove the print cartridge, shake it gently back and forth, and reinsert it. When the print fades or no longer prints satisfactorily, replace the print cartridge.



(See **Replacing the print cartridge** for more information.)

Ordering a fuser

Order a new fuser when the **80 Scheduled Maintenance** message appears on the display.

Use P/N 56P0884 to order a fuser for a 120 V printer. Use P/N 56P0885 to order a fuser for a 220 V printer. See **Replacing the fuser** for more information.



Determining the status of supplies

To determine the status of all of the consumables installed in your printer, print the menu settings page.

See [Printing a menu settings page](#) for detailed instructions.

One or two pages print depending on the number of menu settings you have. Look for “Consumable Status” on the page; the life remaining for each of the items is indicated.



Recycling used supplies

Lexmark's Operation ReSourceSM program lets you participate in a worldwide recycling effort at no cost to you.



Pack your used print cartridge in the new print cartridge shipping box. Follow the instructions in the box to send the used cartridge back to Lexmark.

You can also recycle the fuser. If a prepaid shipping label is not available for your country/region, contact the place where you bought your printer for additional recycling information.

WARNING: Lexmark does not recommend refilling used print cartridges or purchasing refilled cartridges from a third party. Print quality and printer reliability cannot be guaranteed if you do. For best results, use genuine Lexmark supplies.

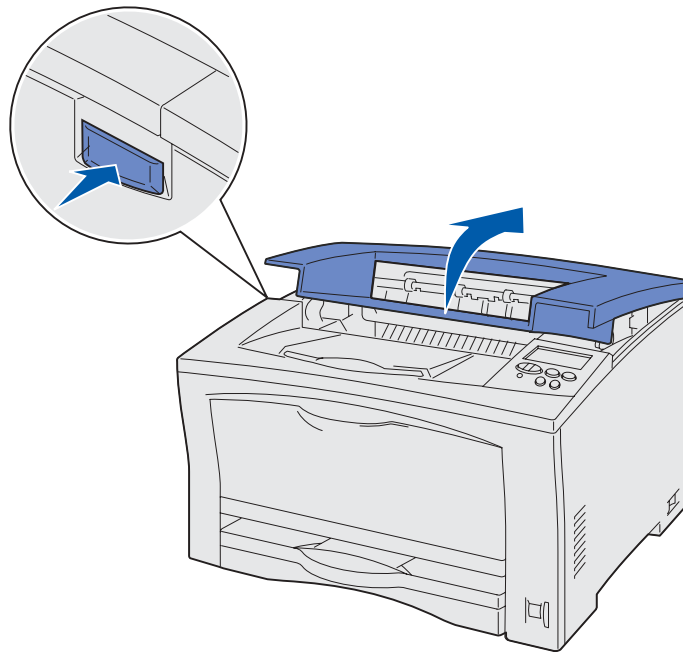
23

Replacing the print cartridge

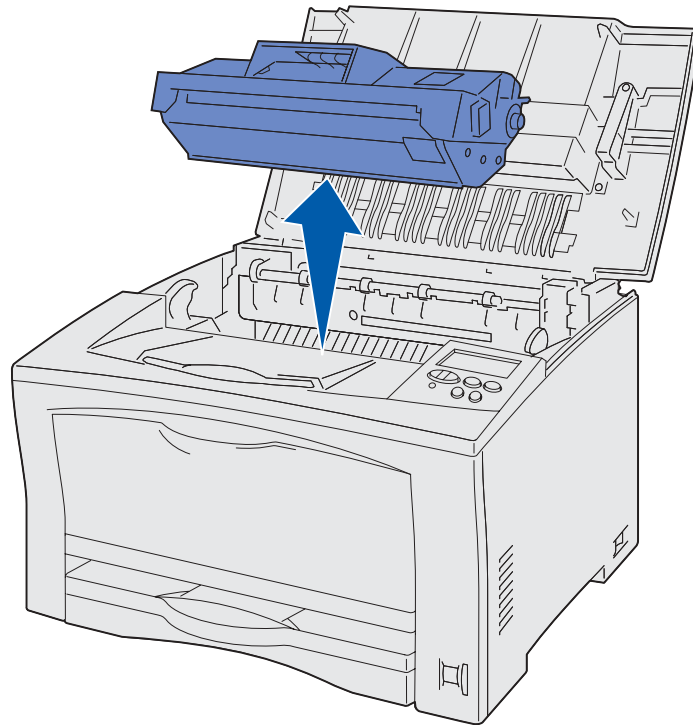
When the **Toner Low** message appears on the display, check that you have a new print cartridge, P/N 14K0050, on hand. To use the remaining toner, remove the print cartridge, shake it gently back and forth, and reinsert it. When the print fades or no longer prints satisfactorily, replace the print cartridge. If **Toner Alarm** is set to Single or Continuous, press **Go** to continue printing.

Removing the old print cartridge

- 1 Press the release button on the left side of the printer and open the top cover.



- 2 Pull out the print cartridge and set it aside.

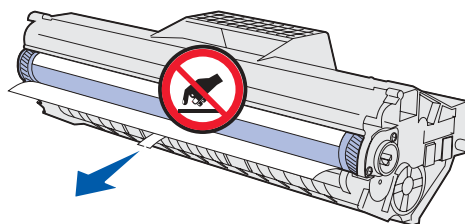


WARNING: Lexmark does not recommend refilling used print cartridges or purchasing refilled cartridges from a third party. Print quality and printer reliability cannot be guaranteed if you do. For best results, use genuine Lexmark supplies.

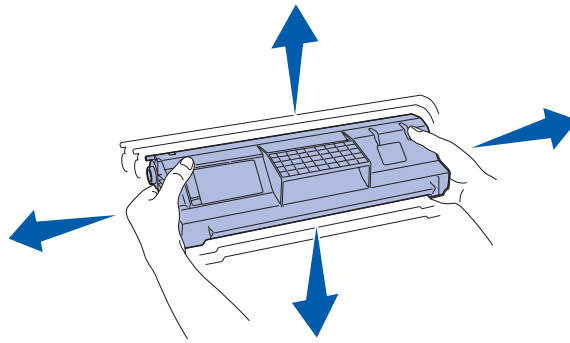
Installing the new print cartridge

- 1 Remove the print cartridge from its packing materials.

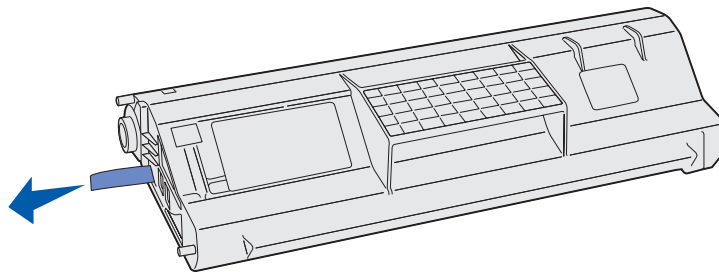
WARNING: Do not touch the photoconductor drum on the bottom of the print cartridge.



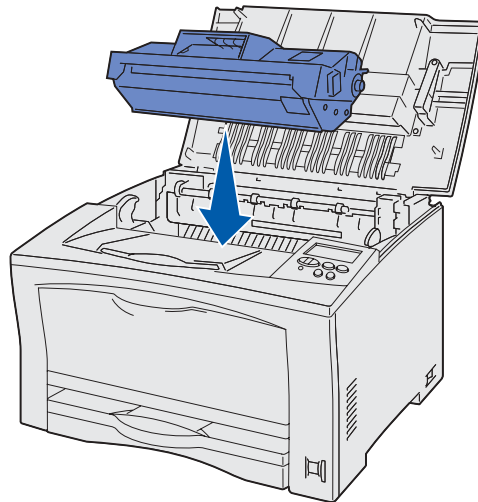
- 2 Shake the cartridge in all directions to distribute the toner.



- 3 Place the cartridge on a flat surface and remove the toner seal.



- 4 Align the cartridge with the grooves in the printer, and insert it into the printer.



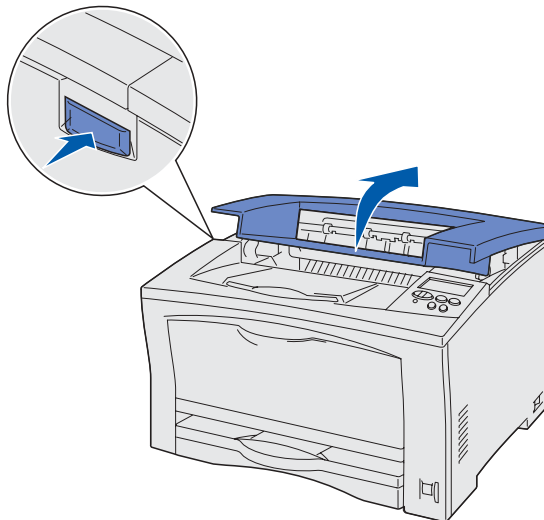
- 5 Close the top cover.
- 6 Follow the instructions on the print cartridge box to recycle the used print cartridge.

24 Replacing the fuser

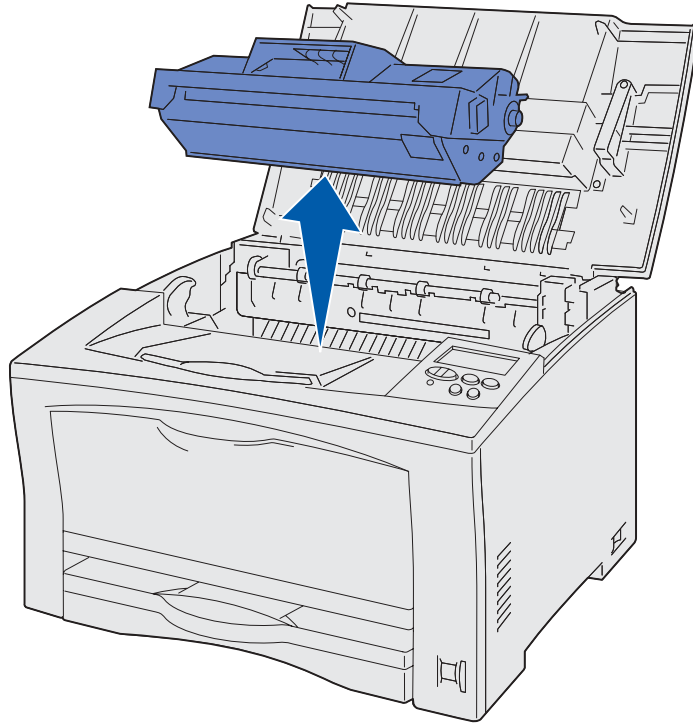
Replace the fuser when an 80 **Scheduled Maintenance** message appears.

Removing the old fuser

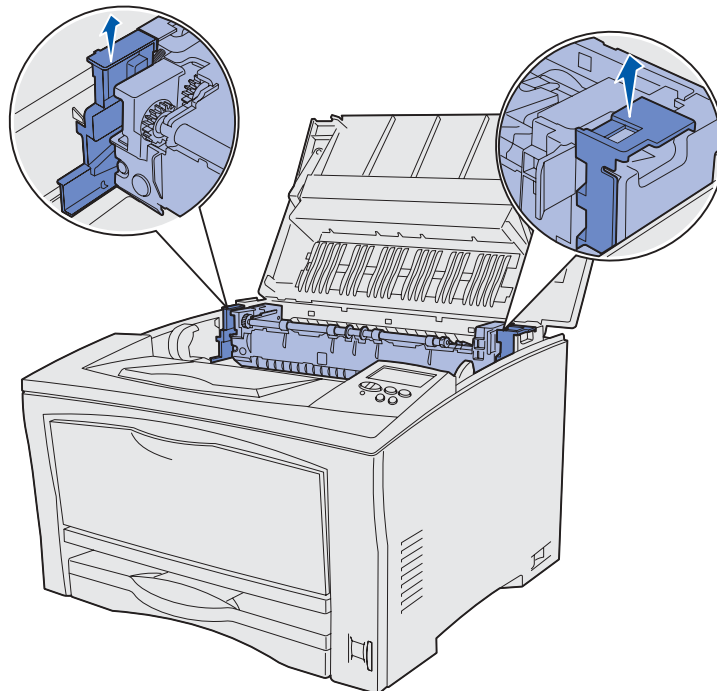
- 1 Turn the printer off.
- 2 Press the release button on the left side of the printer and open the top cover.



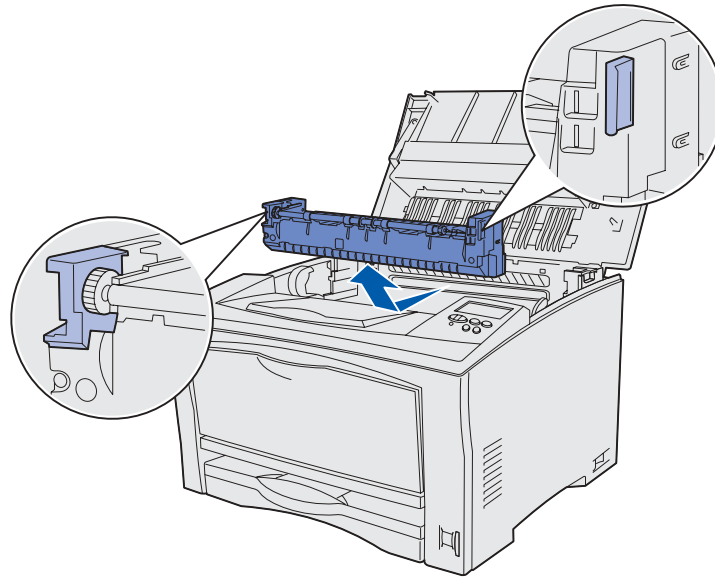
- 3** Pull out the print cartridge.



- 4** Pull up the fuser latches on each end to release the fuser.



- 5 Grasping the handles on each end of the fuser, pull the fuser toward you, and then up out of the printer.



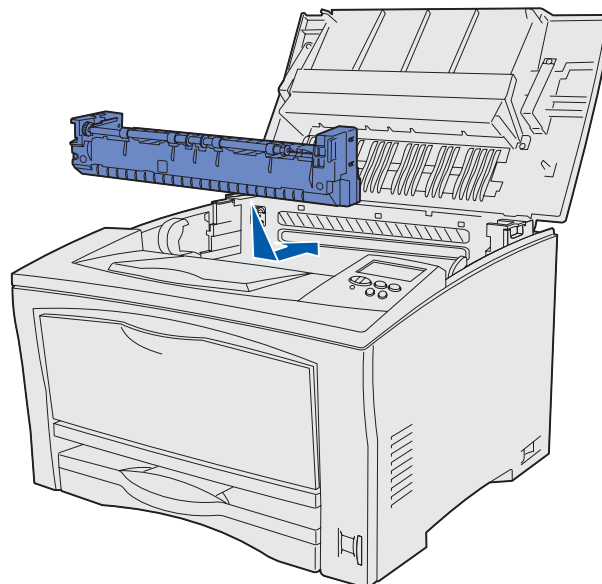
- 6 Set the fuser aside.

Installing a new fuser

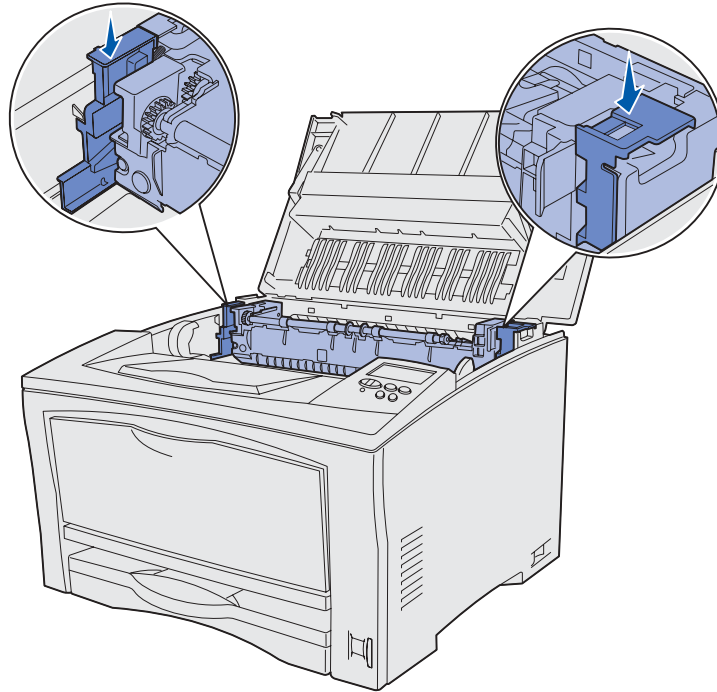
- 1 Unwrap the new fuser.

Follow the recycling instructions in the box to dispose of the old fuser.

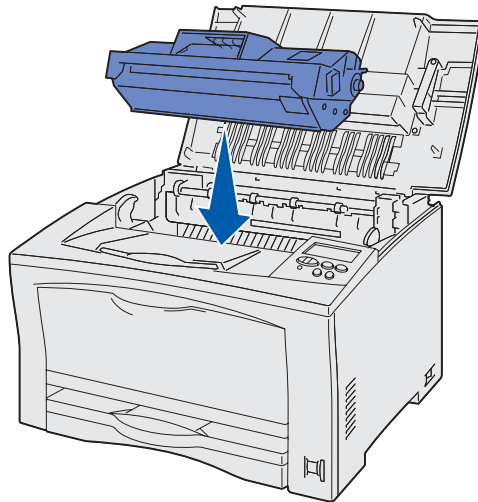
- 2 Insert the new fuser.



- 3** Push down the fuser latches to lock the fuser into position.



- 4** Align the print cartridge with the grooves in the printer and reinsert it into the printer.

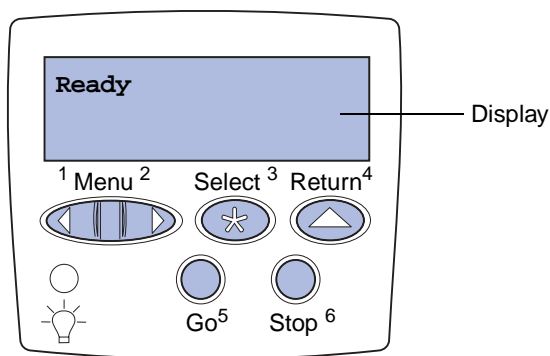


- 5** Close the cover.
- 6** Reset the fuser page counter back to zero:
- a** Press and hold **Select** and **Return** while turning the printer on.
 - b** When **Performing Self Test** appears, release **Select** and **Return**.
Config Menu appears.
 - c** Press **Menu** until **Reset Maint Cnt** appears, and then press **Select**.
Reset Maint Cnt =Reset appears.
 - d** Press **Select**.
The counter is reset back to zero.
 - e** Press **Menu** until **Exit Config Menu** appears, and then press **Select**.

25

Understanding the printer operator panel

The operator panel has five buttons, a display, and a light that flashes when the printer is processing a job.



Operator panel buttons

Button	Function
Go	<p>Press Go to:</p> <ul style="list-style-type: none"> Return to the Ready state if the printer is offline (the Ready message does not appear on the display). Exit printer menus and return to the Ready state. Clear some operator panel messages. Resume printing after loading paper or clearing paper jams. Exit Power Saver. <p>If you have changed printer settings from the operator panel menus, press Go before sending a job to print. The printer must display Ready for jobs to print.</p>
Menu	<p>Press Menu to:</p> <ul style="list-style-type: none"> Take the printer offline (out of the Ready state) and enter the menus. When the printer is offline, press Menu to scroll through the menus and menu items. List the menu items in the Job Menu (during Busy state). <p>For menu items that have numerical values, such as Copies, press and hold Menu to scroll through the list of values. Release the button when the number you want appears.</p> <p>If you see a Menus Disabled message, you will not be able to change default settings. You can still clear messages and select items from the Job Menu when printing. When you send a job to print, change the printer properties in the printer driver to select the settings you want for your job.</p>

Button	Function
Select	Press Select to: <ul style="list-style-type: none"> • Open the menu shown on the second line of the display. • Save the displayed menu item as the new user default setting. • Clear certain messages from the display. • Continue printing after the Change <x> message appears. See Change <x> for more information.
Return	Press Return to go back to the previous menu level or menu item.
Stop	Press Stop at the Ready , Busy , or Waiting message to temporarily take the printer offline. The message changes to Not Ready . No data is lost. Press Go to return the printer to the Ready, Busy, or Waiting state.
1, 2, 3, 4, 5, 6	Use the numbers located next to the names of the buttons to enter your personal identification number (PIN) after you send a confidential job.

26

Configuring printer alerts

You can configure the printer several ways to let you know when it requires attention.

Using the Setup Menu

Menu item	Function	Value	Result
Alarm Control	Lets you establish whether the printer sounds an alarm when it requires operator intervention.	Off	The alarm does not sound, but printing stops until the interventions are cleared.
		Single	The printer stops printing, displays a message, and activates the selected alarm type.*
		Continuous	
Toner Alarm	Lets you choose how the printer responds when toner is low.	Off	The printer displays a message and continues printing.
		Single	The printer stops printing, displays a message, and activates the selected alarm type.*
		Continuous	

* If multiple attendance conditions are pending, the alarm only sounds when the first message is displayed. No additional alarms sound as subsequent attendance conditions arise.

Selecting **Auto Continue** may affect how the printer alerts execute. This setting defines how long the printer waits after displaying a message before it resumes printing.

Using MarkVision Professional

MarkVision™ Professional, Lexmark's network printer management utility, indicates when it is time to replace supplies and points out actual or potential problems. When a printer needs attention, it alerts the network administrator with a detailed graphic of the printer showing the cause for the alert (for example, an empty paper tray). For more information about MarkVision Professional, refer to the drivers CD that shipped with your printer.

Using MarkVision Messenger

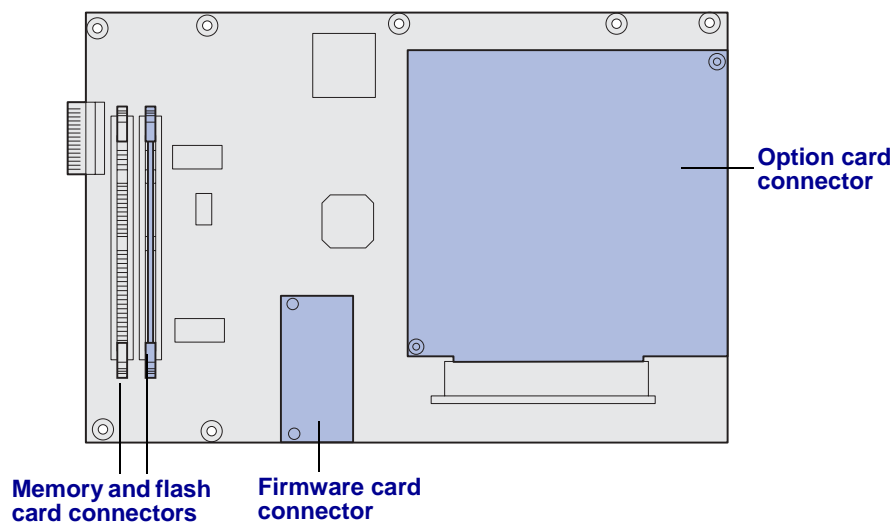
MarkVision Messenger lets you create Actions that execute specific commands whenever messages like **Tray <x> Missing** or **Toner Low** appear on the display. For example, you can create an Action that sends an e-mail to the administrator when the printer runs out of paper.

Actions can be set up to occur automatically, as well as conditionally or repeatedly. For more information about MarkVision Messenger, refer to the drivers CD that shipped with your printer.

27

Removing memory and option cards

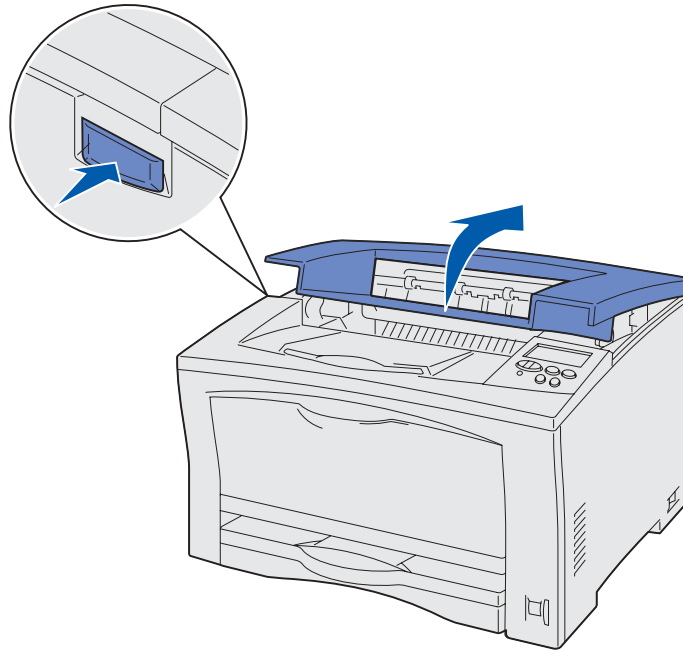
Use these instructions to guide you as you remove memory or option cards. Use the following illustration to locate the connector for the card you want to remove.



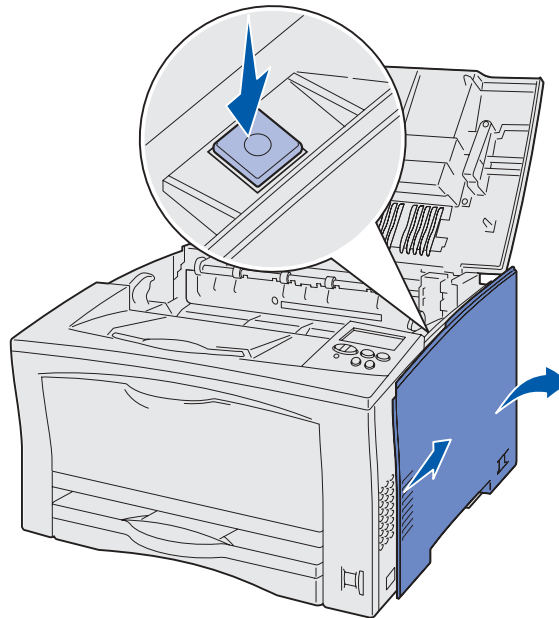
Removing the printer system board access panel

- 1 Turn the printer off.
- 2 Unplug the printer power cord.
- 3 Disconnect all cables from the back of the printer.

- 4** Press the release button on the left side of the printer, and then open the top cover.

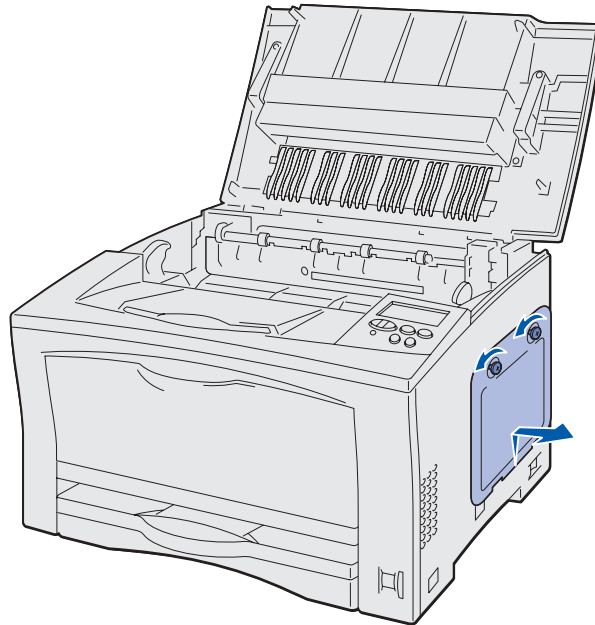


- 5** Push the side release button as you slide the right cover toward the rear of the printer.



- 6** Remove the right cover and set it aside.

- 7 Loosen the screws on the access panel and remove it.



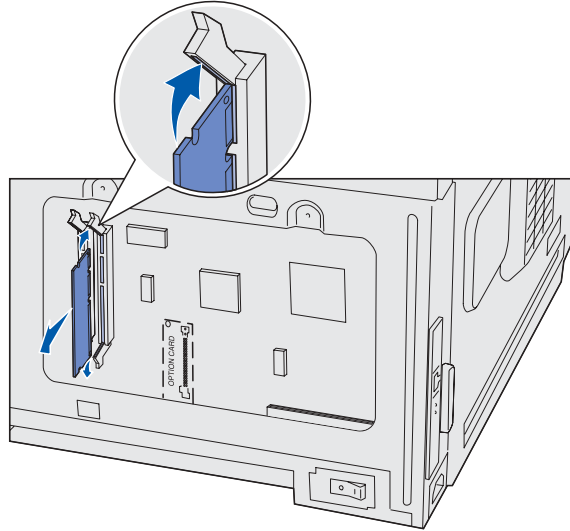
Removing memory cards

Complete the following steps to remove printer memory or flash memory cards.

WARNING: Printer memory and flash memory cards are easily damaged by static electricity. Touch something metal on the printer before you touch a memory card.

- 1 Remove the access panel (see [Removing the printer system board access panel](#) for help).
- 2 Locate the memory card you want to remove.
- 3 Push the latches on both ends of the memory connector away from the card.

- 4 Pull the card straight out of the connector.



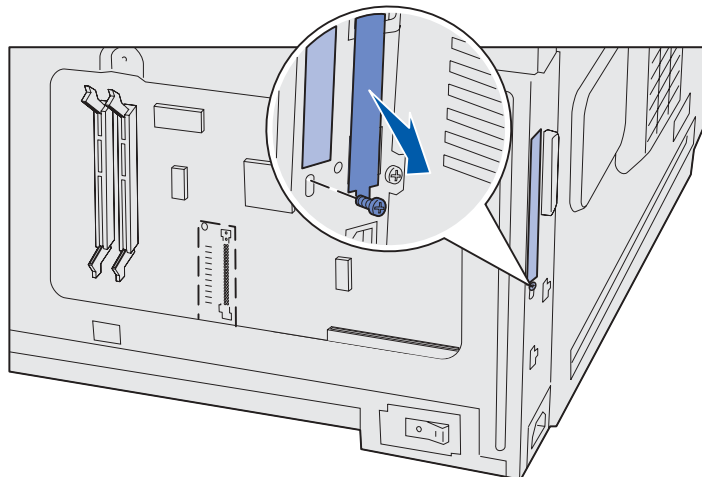
- 5 Place the card in its original packaging, or wrap the card in paper and store it in a box.
- 6 Reinstall the access panel (see [Reinstalling the system board access panel](#)).

Removing an option card

Complete the following steps to remove an internal print server, USB/Parallel Interface Card, or hard disk with adapter card.

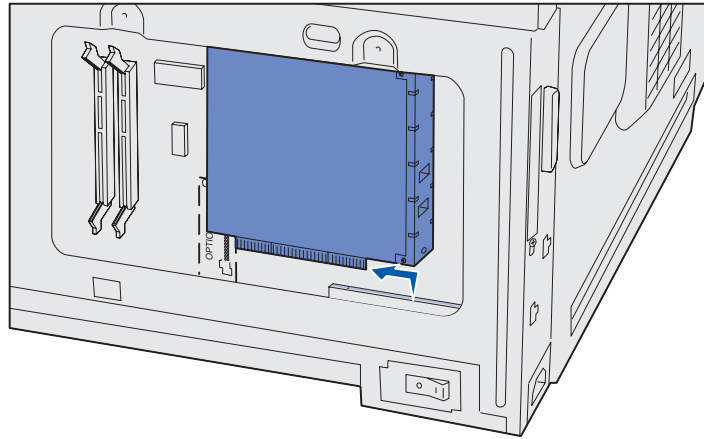
WARNING: Option cards are easily damaged by static electricity. Touch something metal on the printer before you touch an option card.

- 1 Remove the access panel (see [Removing the printer system board access panel](#) for help.)
- 2 Remove the screw from the metal plate that covers the connector slot, and then lift off the plate.

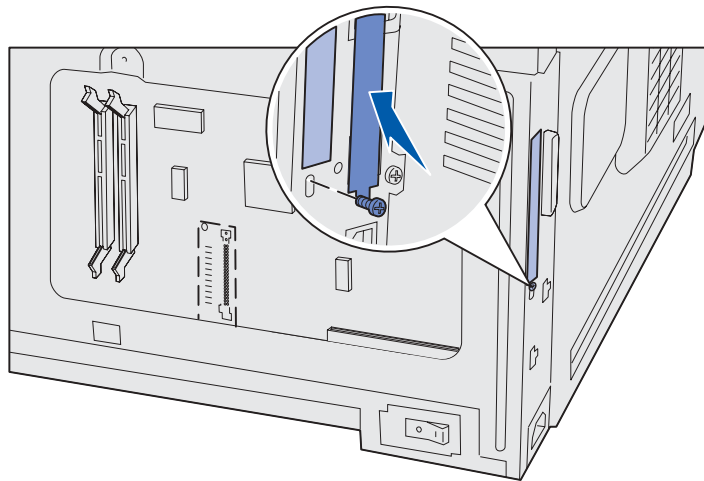


Save the screw.

- 3 Locate the option card you want to remove.
- 4 Gently pull the option card out of the connector slot on the system board.



- 5 Place the card in its original packaging, or wrap the card in paper and store it in a box.
- 6 If you do not plan to insert another card, reattach the metal plate that covers the connector slot.
- 7 Secure the other end of the metal plate to the system board with the screw.



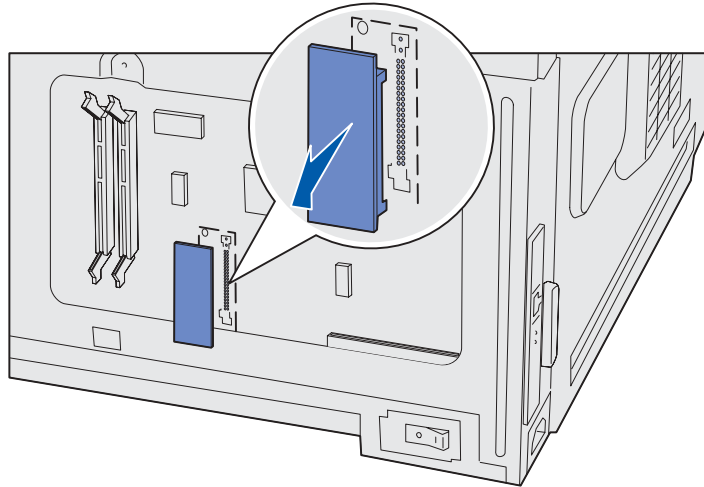
- 8 Reinstall the access panel (see [Reinstalling the system board access panel](#)).

Removing a firmware card

Complete the following steps to remove a firmware card. If an option card has been installed, you must remove it before removing the firmware card. See [Removing an option card](#).

WARNING: Optional firmware cards are easily damaged by static electricity. Touch something metal on the printer before you touch an optional firmware card.

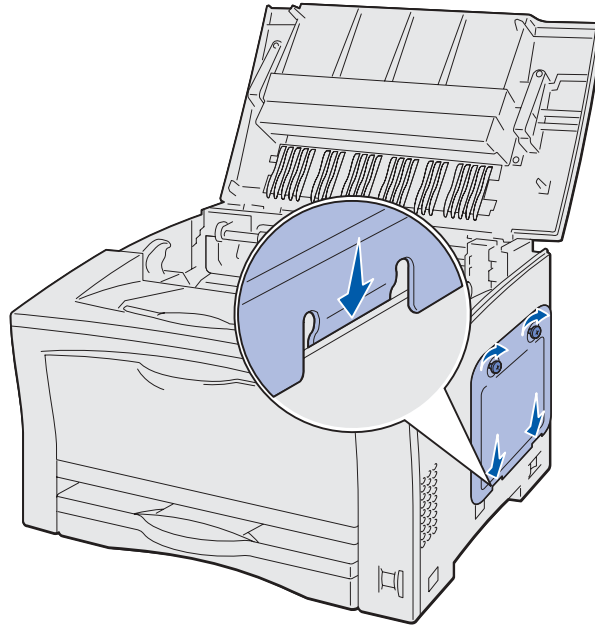
- 1 Remove the access panel (see [Removing the printer system board access panel](#) for help).
- 2 Gently pull the firmware card straight out in one motion. Do not pull one side and then the other.



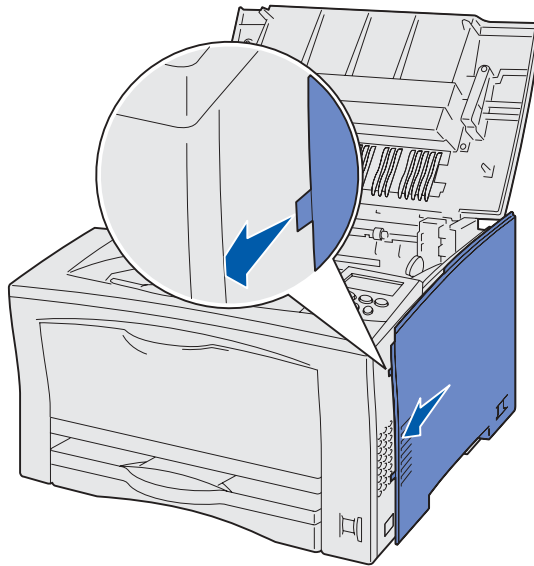
- 3 Place the card in its original packaging, or wrap the card in paper and store it in a box.
- 4 Replace the access panel (see [Reinstalling the system board access panel](#)).

Reinstalling the system board access panel

- 1 Insert the metal tab on the access cover behind the printer frame, and then secure the cover with the two screws.



- 2 Insert the two tabs at the front end of the right cover behind the printer frame, and then align the cover with the release button.



- 3 Slide the right cover forward until it securely engages with the printer frame.
- 4 Close the top cover.
- 5 Reconnect all cables, plug in the power cord, and turn the printer on.

Disabling the operator panel menus

A network administrator can lock the printer menus to keep others from changing default menu settings from the operator panel.

To disable the menus:

- 1 Turn the printer off.
- 2 Press and hold the **Select** and **Return** buttons, and then turn the printer on.
- 3 Release the buttons when **Performing Self Test** appears on the display.

When the printer self test completes, Config Menu appears.

- 4 Press **Menu** until you see Panel Menus, and then press **Select**.
- 5 Press **Menu** until you see Disable, and then press **Select**.

saved briefly appears, followed by **Disabling Menus**. Config Menu appears again with Panel Menus on the second line.

- 6 Press **Menu** until you see Exit Config Menu, and then press **Select**.

Activating Menu Changes briefly appears, followed by **Performing Self Test**. The printer returns to the **Ready** message.

Note: Once this procedure is completed, if the **Menu** button is pressed when the printer displays the **Ready** status message, the message **Menus Disabled** appears. If the printer is holding a confidential job or held job (Reserve Print, Repeat Print, or Verify Print), you can still access these jobs through the Job Menu.

Enabling the menus

To enable the menus, repeat the steps in **Disabling the operator panel menus**. However, in **step 5 on page 75**, select Enable instead of Disable. After you press **Select**, **Enabling Menus** is displayed.



Disabling Power Saver

Disabling **Power Saver** in the **Setup Menu** helps keep your printer ready to print without delays.

- 1 Press **Menu** until you see Setup Menu, and then press **Select**.
- 2 Press **Menu** until you see Power Saver, and then press **Select**.
- 3 Press **Menu** until you see Disabled, and then press **Select**.

If the Disabled value is not available, first change the Energy Conserve setting to Off in the Config Menu:

- 1 Turn the printer off.
- 2 Press and hold the **Select** and **Return** buttons, and then turn the printer on.
- 3 Release the buttons when **Performing Self Test** appears on the display.

When the printer self test is complete, Config Menu is displayed.

- 4 Press **Menu** until you see Energy Conserve, and then press **Select**.
- 5 Press **Menu** until you see Off, and then press **Select**.

Energy Conserve SAVED briefly appears, and then Config Menu is displayed.

- 6 Press **Menu** until you see Exit Config Menu, and then press **Select**.

Activating Menu Changes briefly appears, followed by **Performing Self Test**. The printer returns to the **Ready** message.

Now you can select the Disabled value from the Power Saver menu item.

Note: You can also disable Power Saver by issuing a Printer Job Language (PJM) command. For more information, refer to the *Technical Reference* available on Lexmark's Web site at www.lexmark.com.

30 Size Sensing

When size sensing is set to Auto, the default, the printer recognizes the size paper currently loaded in the 250-sheet or 500-sheet trays. When you switch to a different size paper, set the paper size dial to match the new size paper you loaded. Do not forget to select the paper *type* from both the operator panel and your printer driver.

When you are printing from the multipurpose feeder, or if you turn off size sensing, set both the paper size and paper type from the operator panel and your printer driver.

To disable size sensing:

- 1 Turn the printer off.
- 2 Press and hold the **Select** and **Return** buttons, and then turn the printer on.
- 3 Release the buttons when **Performing Self Test** appears on the display.

When the printer self test completes, Config Menu appears.

- 4 Press **Menu** until you see Size Sensing, and then press **Select**.

Note: Only paper trays that support size sensing are displayed on the operator panel.

- 5 Press **Menu** until you see Tray x Sensing, where x represents the number of the tray for which you want to disable size sensing, and then press **Select**.

Repeat for other trays, if necessary.

- 6 Press **Menu** until you see Off, and then press **Select**.

saved briefly appears. Config Menu appears again with Size Sensing on the second line.

- 7 Press **Return**.

- 8 Press **Menu** until you see Exit Config Menu, and then press **Select**.

Activating Menu Changes briefly appears, followed by **Performing Self Test**. The printer returns to the **Ready** message.

Printing a menu settings page

Print the menu settings page to review the printer settings and to verify that printer options are installed correctly.

Note: See [Understanding the printer operator panel](#) to identify the display and operator panel buttons if you need help.

- 1 Make sure the printer is on and the **Ready** message appears.
- 2 Press **Menu** until you see Utilities Menu, and then press **Select**.
- 3 Press **Menu** until you see Print Menus, and then press **Select** to print the page.

The message **Printing Menus** is displayed.

Note: If any other message appears when you print this page, see [Understanding printer messages](#) for more information.

- 4 Verify that the options you installed are correctly listed under “Installed Features.”
If an option you installed is not listed, turn the printer off, unplug the power cord, and reinstall the option.
- 5 Verify the amount of memory installed is correctly listed under “Printer Information.”
- 6 Verify that the paper trays are configured for the sizes and types of paper you loaded.

Restoring factory default settings

- 1 Make sure the printer is on and the **Ready** message appears.
- 2 Press **Menu** until you see Utilities Menu, and then press **Select**.
- 3 Press **Menu** until you see Factory Defaults, and then press **Select**.
- 4 When Restore appears, press **Select**. The message **Restoring Factory Defaults** appears, followed by the **Ready** message.

When you select Restore:

- No other button actions are available on the operator panel while **Restoring Factory Defaults** appears.
- All downloaded resources (fonts, macros, and symbol sets) in printer memory (RAM) are deleted. (Resources residing in flash memory or on the optional hard disk are unaffected.)
- All menu settings are returned to the factory default values, except:
 - The operator panel Display Language setting in the Setup Menu.
 - All settings in the Parallel Menu, Serial Menu, Network Menu, and USB Menu.

If you need more information about changing menu settings or selecting new user default settings, see [Changing menu settings](#).

33

Changing menu settings

You can use the operator panel to change printer menu settings and customize your printer to meet your specific needs.

Note: Changes to specific print jobs made from a software application override the settings made from the operator panel.

See the [menu map](#) for a list of the menus and their menu items.

To select a new value:

- 1 Press **Menu** until you see the menu you need, and then press **Select**.

The menu opens and the first menu item in the menu appears on the second line of the display.

- 2 Press **Menu** until you see the menu item you need, and then press **Select**.

An asterisk (*) appears beside the current default setting for that menu item.

A value can be:

- An On or Off setting.
- A phrase or word that describes a setting.
- A numerical value that you can increase or decrease.

When you press **Select**, an asterisk (*) appears beside the new value to indicate that it is now the default setting. The **saved** message appears, then the previous list of menu items appears on the display.

Note: Some menu items have submenus. For example, if you select Paper Menu, and then select the Paper Type menu item, you must select another menu (such as Tray 1 Type) before the available values display.

- 3 Press **Return** to go back to previous menus or menu items and set new default settings.
- 4 Press **Go** to return to the **Ready** message if this is the last printer setting you want to change.

Note: User default settings remain in effect until you save new settings or restore the factory defaults.



Understanding fonts

Resident fonts

Your printer is equipped with resident fonts stored permanently in printer memory. Different fonts are available in PCL 6, PostScript 3, and PPDS emulations. Some of the most popular typefaces, like Courier and Times New Roman, are available for all printer languages.

The fonts in the PCL emulation are compatible with the fonts in the HP4050 and include four additional fonts and many extra symbol sets to support extra languages and applications. The fonts in the PostScript emulation are compatible with Adobe PostScript 3 and include 20 additional fonts. The fonts in the PPDS emulation are compatible with the fonts in the PCL emulation and include five bitmapped fonts.

The following tables list all the fonts resident in your printer. See **Printing sample fonts** for instructions on how to print samples of the fonts. You can select the resident fonts from your software application, or from the operator panel if you are using PCL 6 emulation or PPDS emulation.

PCL 6 emulation	PostScript 3 emulation	PPDS emulation
Albertus Medium	AlbertusMT	
	AlbertusMT-Italic	
	AlbertusMT-Light	
Albertus Extra Bold		
Antique Olive	AntiqueOlive-Roman	
Antique Olive Italic	AntiqueOlive-Italic	
Antique Olive Bold	AntiqueOlive-Bold	
	AntiqueOlive-Compact	
Arial	ArialMT	
Arial Italic	Arial-ItalicMT	
Arial Bold	Arial-BoldMT	
Arial Bold Italic	Arial-BoldItalicMT	
ITC Avant Garde Book	AvantGarde-Book	AvantGarde-Book
ITC Avant Garde Book Oblique	AvantGarde-BookOblique	AvantGarde-BookOblique
ITC Avant Garde Demi	AvantGarde-Demi	AvantGarde-Demi
ITC Avant Garde Demi Oblique	AvantGarde-DemiOblique	AvantGarde-DemiOblique
ITC Bookman Light	Bookman-Light	Bookman-Light
ITC Bookman Light Italic	Bookman-LightItalic	Bookman-LightItalic

PCL 6 emulation	PostScript 3 emulation	PPDS emulation
ITC Bookman Demi	Bookman-Demi	Bookman-Demi
ITC Bookman Demi Italic	Bookman-Demiltalic	Bookman-Demiltalic
Clarendon Condensed Bold		
Coronet	Coronet-Regular	
CourierPS	Courier	Courier
CourierPS Oblique	Courier-Oblique	Courier-Oblique
CourierPS Bold	Courier-Bold	Courier-Bold
CourierPS Bold Oblique	Courier-BoldOblique	Courier-BoldOblique
CG Omega		
CG Omega Bold		
CG Omega Italic		
CG Omega Bold Italic		
Garamond Antiqua	Garamond-Antiqua	
Garamond Halbfett	Garamond-Halbfett	
Garamond Kursiv	Garamond-Kursiv	
Garamond Kursiv Halbfett	Garamond-KursivHalbfett	
Helvetica Light	Helvetica-Light	Helvetica Light
Helvetica Light Oblique	Helvetica-LightOblique	Helvetica Light Oblique
Helvetica Black	Helvetica-Black	Helvetica Black
Helvetica Black Oblique	Helvetica-BlackOblique	Helvetica Black Oblique
Helvetica	Helvetica	Helvetica
Helvetica Italic	Helvetica-Oblique	Helvetica Italic
Helvetica Bold	Helvetica-Bold	Helvetica Bold
Helvetica Bold Italic	Helvetica-BoldOblique	Helvetica Bold Italic
Helvetica Narrow	Helvetica-Narrow	Helvetica Narrow
Helvetica Narrow Italic	Helvetica-Narrow-Oblique	Helvetica Narrow Italic
Helvetica Narrow Bold	Helvetica-Narrow-Bold	Helvetica Narrow Bold
Helvetica Narrow Bold Italic	Helvetica-Narrow-BoldOblique	Helvetica Narrow Bold Italic
CG Times	Intl-CG-Times	
CG Times Italic	Intl-CG-Times-Italic	
CG Times Bold	Intl-CG-Times-Bold	
CG Times Bold Italic	Intl-CG-Times-BoldItalic	
Univers Medium	Intl-Univers-Medium	
Univers Medium Italic	Intl-Univers-MediumItalic	
Univers Bold	Intl-Univers-Bold	
Univers Bold Italic	Intl-Univers-BoldItalic	
Courier	Intl-Courier	Courier

PCL 6 emulation	PostScript 3 emulation	PPDS emulation
Courier Italic	Intl-Courier-Oblique	
Courier Bold	Intl-Courier-Bold	Courier Bold
Courier Bold Italic	Intl-Courier-BoldOblique	
Letter Gothic	LetterGothic	
Letter Gothic Italic	LetterGothic-Slanted	
Letter Gothic Bold	LetterGothic-Bold	
	LetterGothic-BoldSlanted	
Marigold	Marigold	
Century Schoolbook Roman	NewCenturySchlbk-Roman	Century Schoolbook Roman
Century Schoolbook Italic	NewCenturySchlbk-Italic	Century Schoolbook Italic
Century Schoolbook Bold	NewCenturySchlbk-Bold	Century Schoolbook Bold
Century Schoolbook Bold Italic	NewCenturySchlbk-BoldItalic	Century Schoolbook Bold Italic
	Optima	
	Optima-Bold	
	Optima-BoldItalic	
	Optima-Italic	
Palatino Roman	Palatino-Roman	Palatino Roman
Palatino Italic	Palatino-Italic	Palatino Italic
Palatino Bold	Palatino-Bold	Palatino Bold
Palatino Bold Italic	Palatino-BoldItalic	Palatino Bold Italic
SymbolPS	Symbol	
Symbol		Symbol
Times Roman	Times-Roman	
Times Italic	Times-Italic	
Times Bold	Times-Bold	
Times Bold Italic	Times-BoldItalic	
Times New Roman	TimesNewRomanPSMT	Times New Roman
Times New Roman Italic	TimesNewRomanPS-ItalicMT	Times New Roman Italic
Times New Roman Bold	TimesNewRomanPS-BoldMT	Times New Roman Bold
Times New Roman Bold Italic	TimesNewRomanPS-BoldItalicMT	Times New Roman Bold Italic
	Univers	
	Univers-Oblique	
	Univers-Bold	
	Univers-BoldOblique	
Univers Condensed Medium	Univers-Condensed	
Univers Condensed Medium Italic	Univers-CondensedOblique	
Univers Condensed Bold	Univers-CondensedBold	

PCL 6 emulation	PostScript 3 emulation	PPDS emulation
Univers Condensed Bold Italic	Univers-CondensedBoldOblique	
Wingdings	Wingdings-Regular	
ITC Zapf Chancery Medium Italic	ZapfChancery-MediumItalic	ZapfChancery-MediumItalic
ITC Zapf Dingbats	ZapfDingbats	ZapfDingbats
	Univers-Extended	
	Univers-ExtendedObl	
	Univers-BoldExt	
	Univers-BoldExtObl	
	Univers-Light	
	Univers-LightOblique	
	Clarendon	
	Clarendon-Light	
	Clarendon-Bold	
	Helvetica-Condensed	
	Helvetica-Condensed-Bold	
	Helvetica-Condensed-BoldObl	
	Helvetica-Condensed-Oblique	
	StempelGaramond-Bold	
	StempelGaramond-BoldItalic	
	StempelGaramond-Italic	
	StempelGaramond-Roman	
	Apple-Chancery	
	Chicago	
	Geneva	
	Monaco	
	NewYork	
	Oxford	
	Taffy	
	MonaLisa-Recut	
	Candid	
	Bodoni	
	Bodoni-Italic	
	Bodoni-Bold	
	Bodoni-BoldItalic	
	Bodoni-Poster	
	Bodoni-PosterCompressed	
	CooperBlack	

PCL 6 emulation	PostScript 3 emulation	PPDS emulation
	CooperBlack-Italic	
	Copperplate-ThirtyTwoBC	
	Copperplate-ThirtyThreeBC	
	Eurostile	
	Eurostile-Bold	
	Eurostile-ExtendedTwo	
	Eurostile-BoldExtendedTwo	
	GillSans	
	GillSans-Italic	
	GillSans-Bold	
	GillSans-BoldItalic	
	GillSans-Condensed	
	GillSans-BoldCondensed	
	GillSans-Light	
	GillSans-LightItalic	
	GillSans-ExtraBold	
	Goudy	
	Goudy-Italic	
	Goudy-Bold	
	Goudy-BoldItalic	
	Goudy-ExtraBold	
	HoeflerText-Regular	
	HoeflerText-Italic	
	HoeflerText-Black	
	HoeflerText-BlackItalic	
	HoeflerText-Ornaments	
	JoannaMT	
	JoannaMT-Italic	
	JoannaMT-Bold	
	JoannaMT-BoldItalic	
	LubalinGraph-Book	
	LubalinGraph-BookOblique	
	LubalinGraph-Demi	
	LubalinGraph-DemiOblique	

Resident bitmapped fonts

PCL 6 emulation	PostScript 3 emulation	PPDS emulation
Line Printer 16		
POSTNET Bar code		
		Courier 10
		Courier 12
		Courier 17.1
		Courier 10 Bold
		Boldface PS

Symbol sets

A *symbol set* is an encoded collection of alphabetic and numeric characters, punctuation, and special characters available in the font you select. Symbol sets support the requirements for different languages or specific applications, such as math symbols used for scientific text.

The symbol set encoding also defines which character will print for each key on the keyboard (or more specifically, for each *code point*). Some applications require different characters at some code points. To support multiple applications and languages, your printer has 83 symbol sets for the resident PCL 6 emulation fonts.

Symbol sets for PCL 6 emulation

Not all fonts support all of the symbol sets listed in [Downloadable fonts](#). Refer to the *Technical Reference* to determine which symbol sets are supported by each font name.

Downloadable fonts

ABICOMP Brazil/Portugal	Wingdings	ISO 25: French
ABICOMP International	POSTNET Bar code	ISO 57: Chinese
DeskTop	ISO : German	ISO 60: Norwegian version 1
Legal	ISO : Spanish	ISO 61: Norwegian version 2
MC Text	ISO 2: IRV (Int'l Ref Version)	ISO 69: French
Microsoft Publishing	ISO 4: United Kingdom	ISO 84: Portuguese
Russian-GOST	ISO 6: ASCII	ISO 85: Spanish
Ukrainian	ISO 10: Swedish	ISO 8859-1 Latin 1 (ECMA-94)
PCL ITC Zapf Dingbats	ISO 11: Swedish for Names	ISO 8859-2 Latin 2
PS ITC Zapf Dingbats	ISO 14: JIS ASCII	ISO 8859-5 Latin/Cyrillic
PS Math	ISO 15: Italian	ISO 8859-7 Latin/Greek

PS Text	ISO 16: Portuguese	ISO 8859-9 Latin 5
Pi Font	ISO 17: Spanish	ISO 8859-10 Latin 6
Symbol	ISO 21: German	ISO 8859-15 Latin 9
PC-8 Bulgarian	PC-857 Latin 5 (Turkish)	Roman-9
PC-8 Danish/Norwegian (437N)	PC-858 Multilingual Euro	Roman Extension
PC-8 Greek Alternate (437G)	PC-860 Portugal	Ventura ITC Zapf Dingbats
PC-8 Turkish (437T)	PC-861 Iceland	Ventura International
PC-8 Latin/Greek	PC-863 Canadian French	Ventura Math
PC-8 PC Nova	PC-865 Nordic	Ventura US
PC-8 Polish Mazovia	PC-866 Cyrillic	Windows 3.0 Latin 1
PC-8 Code Page 437	PC-869 Greece	Windows 98 Cyrillic
PC-775 Baltic (PC-8 Latin 6)	PC-911 Katakana	Windows 98 Greek
PC-850 Multilingual	PC-1004 OS/2	Windows 98 Latin 1
PC-851 Greece	Math-8	Windows 98 Latin 2
PC-852 Latin 2	Greek-8	Windows 98 Latin 5
PC-853 Latin 3 (Turkish)	Turkish-8	Windows 98 Latin 6 (Baltic)
PC-855 Cyrillic	Roman-8	

You can download scalable fonts in PostScript 3 emulation and either scalable or bitmapped fonts in PCL 6 emulation. Fonts can be downloaded to printer memory, or to a flash memory option or hard disk option. Fonts downloaded to flash memory or hard disk remain in memory even after the printer language changes, the printer resets, or the printer is turned off.

Euro support

Support for the euro currency character is included in all applicable fonts for both the PostScript and PCL emulations. Twelve of the PCL symbol sets support the euro character, including all seven Windows symbol sets.

Hebrew and Arabic fonts

A variety of downloadable fonts for Hebrew and Arabic are included on the drivers CD that shipped with the printer.

FontVision

Also included on the drivers CD is the FontVision™ Management utility and screen fonts to match the resident scalable fonts. An additional 48 TrueType fonts are available on the Lexmark Web site when you register the printer.

Your printer has resident fonts stored permanently in memory. Different fonts may be available in PCL, PostScript, and PPDS emulations.

To print samples of all the fonts currently available for your printer in PCL emulation or PostScript 3 emulation:

- 1 Make sure the printer is on and **Ready** appears on the display.
- 2 Press **Menu** until you see Utilities Menu, and then press **Select**.
- 3 Press **Menu** until you see Print Fonts, and then press **Select**.
- 4 Press **Menu** to display either PCL Fonts or PS Fonts.
 - Select PCL Fonts to print a listing of the fonts available in PCL emulation.
 - Select PS Fonts to print a listing of the fonts available in PostScript 3 emulation.
- 5 Press **Select**.

The message **Printing Font List** remains on the display until all pages print. The printer returns to the **Ready** message after the font sample list prints.

To print samples of the PPDS fonts available for your printer:

- 1 Turn off the printer.
- 2 Press and hold the **Select** and **Return** buttons and then turn the printer back on.
- 3 Release the buttons once the **Performing Self Test** message is displayed.

When the printer self test completes, Config Menu appears.
- 4 Press **Menu** until you see PPDS Emulation, and then press **Select**.
- 5 Select On to activate PPDS Emulation.

saved briefly appears. Config Menu appears again with PPDS Emulation on the second line.
- 6 Press **Return**.
- 7 Press **Menu** until you see Exit Config Menu, and then press **Select**.
- 8 **Activating Menu Changes** briefly appears, followed by **Performing Self Test**. The printer returns to the **Ready** message

- 9 Press **Menu** until you see Utilities Menu, and then press **Select**.
- 10 Press **Menu** until you see Print Fonts, and then press **Select**.
 - Select PPDS Fonts to print a listing of the fonts available in PPDS emulation.
- 11 Press **Select**.

The message **Printing Font List** remains on the display until all pages print. The printer returns to the **Ready** message after the font sample list prints.

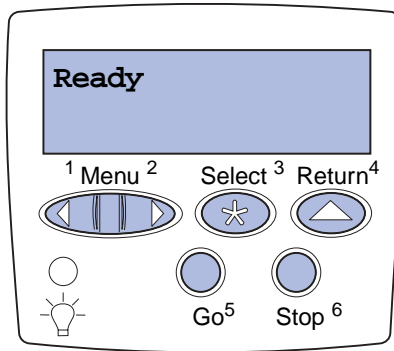
Follow **step 1–step 5** above, selecting Off to deactivate PPDS Emulation.

Refer to the *Technical Reference* on Lexmark's Web site for more information about font and symbol set support.

36

Understanding printer messages

The printer operator panel displays messages describing the current state of the printer and indicates possible printer problems you must resolve. This topic provides a list of all printer messages, explains what they mean, and tells you how to clear the messages.



Activating Demo Mode

What this message means:

The printer is activating files stored in the printer that demonstrate the printer features. In this mode, regular print jobs are ignored and only demonstration files listed on the operator panel can be printed.

What you can do:

Scroll through the list of demonstration files and select the file you want to print.

See also:

[Deactivating Demo Mode](#)

Activating Menu Changes

What this message means:

The printer is activating changes made to the printer settings.

What you can do:

Wait for the message to clear.

See also:

[Disabling the operator panel menus](#)

Activating PPDS

What this message means:

The printer is activating the PPDS emulation printer language.

What you can do:

Wait for the message to clear. Jobs will print using PPDS emulation.

See also:

[Deactivating PPDS](#)

Busy

What this message means:

The printer is busy receiving, processing, or printing data.

What you can do:

- Wait for the message to clear.
- Press **Menu** to open the Job Menu and cancel the current job.

Canceling Job

What this message means:

The printer is processing a request to cancel the current print job.

What you can do:

Wait for the message to clear.

See also:

[Canceling a print job](#)

Change <x>

What this message means:

The printer is requesting that a different type of paper be loaded in one of the input sources.

What you can do:

Change the paper type in the specified source.

See also:

[Loading the trays](#); *Setup Guide*

Check <device> Connection

What this message means:

The specified device is either not fully connected to the printer or is experiencing a hardware failure.

What you can do:

- Reestablish communication by removing the specified device and reattaching it to the printer.
- In the case of a hardware failure, turn the printer off and back on. If the error recurs, turn the printer off, remove the specified device, and call for service.

Clearing Job Accounting Stat

What this message means:

The printer is deleting all job statistics stored on the hard disk.

What you can do:

Wait for the message to clear.

Close Duplex Doors

What this message means:

The printer duplex doors are open.

What you can do:

Close the duplex doors to clear the message.

Close Top Cover

What this message means:

The printer top cover is open.

What you can do:

Close the printer top cover to clear the message.

Deactivating Demo Mode

What this message means:

The printer is ready to print jobs.

What you can do:

Send print jobs to the printer.

See also:

[Activating Demo Mode](#)

Deactivating PPDS

What this message means:

The printer is deactivating the PPDS emulation printer language.

What you can do:

Wait for the message to clear. Jobs will print using PCL emulation.

See also:

[Activating PPDS](#)

Defragmenting

What this message means:

The printer is defragmenting the flash memory to reclaim storage space occupied by deleted resources.

What you can do:

Wait for the message to clear.

WARNING: Do not turn the printer off while this message is displayed.

Delete All Jobs

What this message means:

The printer is requesting confirmation to delete all held jobs.

What you can do:

- Press **Go** to continue. The printer deletes all held jobs.
- Press **Stop** to cancel the operation.

Deleting Jobs

What this message means:

The printer is deleting one or more held jobs.

What you can do:

Wait for the message to clear.

Disabling Menus

What this message means:

The printer is responding to a request to disable the menus.

What you can do:

Wait for the message to clear.

Note: While the menus are disabled, you cannot change the printer settings from the operator panel.

See also:

[Disabling the operator panel menus](#)

Disk Corrupted. Reformat?

What this message means:

The printer has attempted a disk recovery process and cannot repair the disk.

What you can do:

Turn off the printer and remove the disk.

See also:

[Disk Recovery x/5 yyy%](#)

Disk Recovery x/5 yyy%

What this message means:

The printer is attempting to recover the hard disk. Disk recovery takes place in five phases; the second line on the operator panel display shows the percent complete of the current phase.

What you can do:

Wait for the message to clear.

WARNING: Do not turn the printer off while this message is displayed.

Enabling Menus

What this message means:

The printer is responding to a request to make the menus available to all users.

What you can do:

Wait for the message to clear, and then press **Menu** to view the menus from the operator panel.

See also:

[Enabling the menus](#)

Enter PIN:

=____

What this message means:

The printer is waiting for you to enter your four-digit personal identification number (PIN).

What you can do:

Use the operator panel buttons to enter the PIN you identified in the driver when you sent the confidential job to the printer.

See also:

[Holding a job in the printer](#)

Flushing Buffer**What this message means:**

The printer is flushing corrupted print data and discarding the current print job.

What you can do:

Wait for the message to clear.

Formatting Disk**What this message means:**

The printer is formatting the hard disk.

What you can do:

Wait for the message to clear.

WARNING: Do not turn the printer off while this message is displayed.

Formatting Disk

yyy%

What this message means:

The printer is formatting the hard disk. When formatting takes longer than usual, the second line of the display shows the percent complete.

What you can do:

Wait for the message to clear.

WARNING: Do not turn the printer off while this message is displayed.

Formatting Flash

What this message means:

The printer is formatting the flash memory.

What you can do:

Wait for the message to clear.

WARNING: Do not turn the printer off while this message is displayed.

Held Jobs may be lost

What this message means:

The printer memory is too full to continue processing print jobs.

What you can do:

- Press **Go** to clear the message and continue printing. The printer frees memory by deleting the oldest held job and continues deleting held jobs until there is enough printer memory to process the job.
- Press **Stop** to clear the message without deleting any held jobs. The current job may not print correctly.
- Press **Menu** to open the Job Menu and cancel the current job.
- To avoid this error in the future:
 - Delete fonts, macros, and other data stored in printer memory.
 - Install more printer memory.

Note: The messages 37 **Insufficient Memory** and **Held Jobs may be lost** alternate on the display.

See also:

[Holding a job in the printer; 37 Insufficient Memory](#)

Held Jobs may not be restored

What this message means:

The printer memory cannot restore Print and Hold jobs from the printer hard disk.

What you can do:

Press **Go** to clear the message. Some of the Print and Hold jobs stored on the disk will not be restored.

See also:

[37 Insufficient Memory](#)

Insert Print Cartridge

What this message means:

The print cartridge is either not installed or not installed correctly.

What you can do:

Correctly install the print cartridge to clear the message.

Insert Tray <x>

What this message means:

The specified tray is either missing or not fully inserted into the printer.

What you can do:

Insert the specified tray completely into the printer.

See also:

[Loading the trays](#)

Invalid Network <x> Code

Invalid Standard Network Code

What this message means:

The code in an internal print server is not valid. The printer cannot receive and process jobs until valid code is programmed into the internal print server.

What you can do:

Download valid code to the printer internal print server.

Note: You can download network code while this message is displayed.

Load Manual

What this message means:

A request for a manual feed job has been sent to the printer. The printer is ready for insertion of a single sheet into the manual feed slot.

What you can do:

- Load a sheet of the paper specified in the second line of the display in the manual feed tray or multipurpose feeder.
- Press **Select** or **Go** to ignore the manual feed request and print on paper already installed in one of the input sources. If the printer finds a tray that has paper of the correct type and size, it feeds paper from that tray. If the printer cannot find a tray with the correct paper type and size, it prints on whatever paper is installed in the default input source.
- Press **Menu** to open the Job Menu and cancel the current job.

See also:

[Loading the multipurpose feeder](#)

Load Tray <x>

What this message means:

The printer is trying to feed paper from a source it detects is empty.

What you can do:

- Load paper of the size and type requested in the second line of the display in the specified tray. The printer automatically clears the message and continues printing the job.
- Press **Menu** to open the Job Menu and cancel the current job.

See also:

[Loading the trays](#)

Maintenance

What this message means:

The printer requires replacement of routine maintenance items to maintain top performance and to avoid print quality and paper feed problems.

What you can do:

Replace the maintenance items and reset the printer maintenance counter (if necessary).

Menus Disabled

What this message means:

The printer menus are disabled. You cannot change the printer settings from the operator panel.

What you can do:

You can still open the Job Menu to cancel a job that is printing or to select a confidential job or a held job that you want to print. If you need access to the printer menus, contact your network administrator.

See also:

[Disabling the operator panel menus](#)

Network Card Busy

What this message means:

An internal print server (also called an internal network adapter or INA) is being reset.

What you can do:

Wait for the message to clear.

Network <x>

What this message means:

A network interface is the active communication link.

No Jobs Found. Retry?

What this message means:

The four-digit personal identification number (PIN) you entered is not associated with any confidential print job.

What you can do:

- Press **Go** to enter another PIN.
- Press **Stop** to clear the PIN entry prompt.

See also:

[Holding a job in the printer](#)

Not Ready

What this message means:

The printer is not ready to receive or process data. Someone pressed **Stop** to take the printer offline.

What you can do:

Press **Go** to make the printer ready to receive jobs.

Parallel <x>

What this message means:

A parallel interface is the active communication link.

Performing Self Test

What this message means:

The printer is running the series of start-up tests it performs after it is turned on.

What you can do:

Wait for the message to clear.

Power Saver

What this message means:

The printer is ready to receive and process data. It is reducing its electricity consumption while idle. If the printer remains inactive for the period of time specified in the Power Saver menu item (20 minutes is the factory default), the **Power Saver** message replaces the **Ready** message on the display.

What you can do:

- Send a job to print.
- Press **Go** to quickly warm the printer to normal operating temperature and display the **Ready** message.

Print Jobs on Disk

What this message means:

Jobs that were spooled to the hard disk before the printer was last turned off have not yet printed.

What you can do:

- Press **Go** to print the jobs.
- Press **Return** or **Stop** to delete the jobs from the hard disk without printing them.

Printing Alignment Page

What this message means:

The printer is processing or printing a test page that shows alignment values.

What you can do:

Wait until the page has completed printing.

Printing Directory List

What this message means:

The printer is processing or printing a directory of all files stored in flash memory or on a hard disk.

What you can do:

Wait for the message to clear.

See also:

[Print Directory](#)

Printing Font List

What this message means:

The printer is processing or printing a list of all available fonts for the specified printer language.

What you can do:

Wait for the message to clear.

See also:

[Print Fonts](#)

Printing Job Accounting Stat

What this message means:

The printer is processing or printing all job accounting statistics stored on the hard disk.

What you can do:

Wait for the message to clear.

See also:

[Job Acct Stat](#)

Printing Menu Settings

What this message means:

The printer is processing or printing the menu settings page.

What you can do:

Wait for the message to clear.

See also:

[Print Menus; Printing a menu settings page](#)

Printing Quality Test Pages

What this message means:

The printer is processing or printing three pages of text and graphics to help you isolate the cause of print quality problems.

What you can do:

Wait for the message to clear.

See also:

[Solving print quality problems](#)

Prog System Code

What this message means:

The printer is programming new system code.

What you can do:

Wait for the message to clear and the printer to reset.

WARNING: Do not turn the printer off while this message is displayed.

Program Flash

What this message means:

The printer is storing resources, such as fonts or macros, in flash memory.

What you can do:

Wait for the message to clear.

WARNING: Do not turn the printer off while this message is displayed.

Programming Disk

What this message means:

The printer is storing resources, such as fonts or macros, on the hard disk.

What you can do:

Wait for the message to clear.

WARNING: Do not turn the printer off while this message is displayed.

Programming Error P<x>

What this message means:

An error occurred while the printer was programming code into memory.

What you can do:

Correct the problem specified on the second line of the display:

- | | |
|-------------|---|
| P105 | A network file was used to program a non-network printer, or a non-network file was used to program a network printer. |
| P109 | An update file was used to program the printer, but the information did not fit within the space allocated in the Master Boot Record. |
| P112 | An upddle.flc file was used to update the DLE code on a printer with a firmware card installed, but the DLE was not found on the firmware card. |
| P200 | No firmware card is installed. |

Queuing and Deleting Jobs

What this message means:

The printer is deleting one or more held jobs and sending one or more jobs to print.

What you can do:

Wait for the message to clear.

See also:

[Printing and deleting held jobs](#)

Queuing Jobs

What this message means:

The printer is sending one or more held jobs to print.

What you can do:

Wait for the message to clear.

See also:

[Holding a job in the printer](#)

Ready

What this message means:

The printer is ready to receive and process print jobs.

What you can do:

Send a job to print.

Ready Hex

What this message means:

The printer is in Hex Trace mode and is ready to receive and process print jobs.

What you can do:

- Send a job to print. All data sent to the printer is printed in hexadecimal and character representation. Control strings are printed, not executed.
- Turn the printer off and then on to exit Hex Trace mode and return to Ready status.

Remove Paper <specified bin>

What this message means:

The specified output bin, or bins, is full.

What you can do:

Remove the stack of paper from the specified bin(s) to clear the message.

Res Reduced

What this message means:

The printer is reducing the resolution of a page in the current job from 600 dots per inch (dpi) to 300 dpi to prevent a **38 Memory Full** error. **Res Reduced** remains on the display while the job prints.

What you can do:

Press **Menu** to open the Job Menu and cancel the current job.

See also:

[38 Memory Full](#)

Resetting Maint Cnt Value

What this message means:

The printer is resetting the counter that tracks wear on the fuser.

What you can do:

Wait for the message to clear.

Resetting the Printer

What this message means:

The printer is resetting to the current default settings. Any active print jobs are canceled.

What you can do:

Wait for the message to clear.

See also:

[Changing menu settings](#)

Restore Held Jobs. Go/Stop?

What this message means:

Someone reset the printer or turned it on, and the printer detects Print and Hold jobs stored on the hard disk.

What you can do:

- Press **Go**. All Print and Hold jobs on the hard disk are restored to printer memory.
- Press **Return** or **Stop**. No Print and Hold jobs are restored to printer memory. The printer returns to the Ready state.

See also:

[Holding a job in the printer](#)

Restoring Factory Defaults

What this message means:

The printer is restoring the factory default printer settings. When factory default settings are restored:

- All downloaded resources (fonts, macros, symbol sets) in the printer memory are deleted.
- All menu settings return to the factory default setting *except*:
 - The Display Language setting in the Setup Menu.
 - All settings in the Parallel Menu, Serial Menu, Network Menu, and USB Menu.

What you can do:

Wait for the message to clear.

See also:

[Restoring factory default settings](#)

Restoring Held Job `xxx/yyy`

What this message means:

The printer is restoring held jobs from the hard disk.

Note: `xxx` represents the number of the job being restored.
`yyy` represents the total number of jobs to be restored.

What you can do:

- Wait for the message to clear.
- Select the Abort Restore menu item in the Job Menu.

See also:

[Holding a job in the printer](#)

Serial `<x>`

What this message means:

A serial interface is the active communication link.

Std Bin Full

What this message means:

The standard bin is full.

What you can do:

Remove the stack of paper in the bin to clear the message.

Toner Low

What this message means:

The print cartridge is low on toner.

What you can do:

- Replace the print cartridge.
- Press **Go** to clear the message and continue printing.

Note: If you do not replace the print cartridge, you may experience print quality problems.

Tray <x> Empty

What this message means:

The specified tray is out of paper.

What you can do:

Load paper in the tray to clear the message.

See also:

[Loading the trays](#)

Tray <x> Low**What this message means:**

The specified tray is low on paper.

What you can do:

Add paper to the tray to clear the message.

See also:

[Loading the trays](#)

Tray <x> Missing**What this message means:**

The specified tray is either missing or not fully inserted into the printer.

What you can do:

Insert the tray completely into the printer.

See also:

[Loading the trays](#)

USB <x>**What this message means:**

The printer is processing data through the specified USB port.

Waiting

What this message means:

The printer has received a page of data to print but is waiting for an End of Job command, a Form Feed command, or additional data.

What you can do:

- Press **Go** to print the contents of the buffer.
- Press **Menu** to open the Job Menu and cancel the current job.

See also:

[Canceling a print job](#)

1565 Emul Error Load Emul Option

What this message means:

The download emulator version on the firmware card does not match the printer code version.

This error can occur if you update printer firmware or move a firmware card from one printer to another.

What you can do:

The printer automatically clears the message in 30 seconds, and then disables the download emulator on the firmware card.

Download the correct download emulator version from Lexmark's Web site.

2<xx> Paper Jam

What this message means:

The printer detects a paper jam.

What you can do:

Clear the jam.

See also:

[Clearing jams](#); [Understanding jam messages](#)

31 Defective Print Cartridge

What this message means:

A defective print cartridge is installed.

What you can do:

Remove the specified print cartridge and install a new one.

See also:

[Replacing the print cartridge](#)

34 Wrong Paper Size in Tray <x>

What this message means:

The printer was expecting to pick a different size paper from the specified tray than what it now detects is moving through the paper path.

What you can do:

- Press **Go** to clear the message and continue printing. The printer automatically reprints the page that prompted the message.
- Check that the paper size setting on the dial matches the size paper loaded in the tray.
- Verify that the Tray x Size setting in the Paper Menu matches the size paper loaded in the tray.
- Make sure the tray paper guides are in the proper position for the size of the paper loaded.
- Make sure the paper is correctly oriented in the tray.
- Press **Menu** to open the Job Menu and cancel the current job.

35 Res Save Off Deficient Memory

What this message means:

The printer lacks the memory needed to enable Resource Save. This message usually indicates too much memory is allocated for one or more of the printer link buffers.

What you can do:

- Press **Go** to disable Resource Save and continue printing.
- To enable Resource Save after you get this message:
 - Make sure the link buffers are set to Auto, and exit the menus to activate the link buffer changes.
 - When **Ready** is displayed, enable Resource Save from the Setup Menu.
- Install additional memory.

37 Insufficient Collation Area

What this message means:

The printer memory (or hard disk, if installed) does not have the free space necessary to collate the print job.

What you can do:

- Press **Go** to print the portion of the job already stored and begin collating the rest of the job.
- Press **Menu** to open the Job Menu and cancel the current job.

See also:

[Canceling a print job](#)

37 Insufficient Defrag Memory

What this message means:

The printer cannot defragment flash memory, because the printer memory used to store undeleted flash resources is full.

What you can do:

- Delete fonts, macros, and other data in printer memory.
- Install additional printer memory.

37 Insufficient Memory

What this message means:

The printer memory is full and cannot continue processing current print jobs.

What you can do:

- Press **Go** to clear the message and continue the current print job. The printer frees memory by deleting the oldest held job and continues deleting held jobs until there is enough printer memory to process the job.
- Press **Stop** to clear the message without deleting any held jobs. The current job may not print correctly.
- Press **Menu** to open the Job Menu and cancel the current job.
- To avoid this error in the future:
 - Delete fonts, macros, and other data in printer memory.
 - Install additional printer memory.

Note: The messages 37 **Insufficient Memory** and **Held Jobs may be lost** alternate on the display.

See also:

[Holding a job in the printer](#); [Held Jobs may be lost](#); [Held Jobs may not be restored](#)

38 Memory Full

What this message means:

The printer is processing data, but the memory used to store pages is full.

What you can do:

- Press **Go** to clear the message and continue printing the job. The job may not print correctly.
- Press **Menu** to open the Job Menu and cancel the current job.
- To avoid this error in the future:
 - Simplify the print job by reducing the amount of text or graphics on a page and deleting unnecessary downloaded fonts or macros.
 - Install additional printer memory.

See also:

[Canceling a print job](#)

39 Complex Page

What this message means:

The page may not print correctly because the print information on the page is too complex.

What you can do:

- Press **Go** to clear the message and continue printing the job. The job may not print correctly.
- Press **Menu** to open the Job Menu and cancel the current job.
- To avoid this error in the future:
 - Reduce the complexity of the page by reducing the amount of text or graphics on the page and deleting unnecessary downloaded fonts or macros.
 - Set Page Protect to On in the Setup Menu.
 - Install additional printer memory.

See also:

[Setup Menu](#)

4<x> Unsupported Firmware Card

What this message means:

The printer detects an unsupported version of firmware on the installed firmware card.

What you can do:

- Turn the printer off, and then press and hold **Go** while turning it on. The printer reads the code on the system card and bypasses the code on the firmware card.
- Remove the firmware card.

See also:

Setup Guide

50 PPDS Font Error

What this message means:

The printer cannot find a selected PPDS font and the Best Fit setting is turned off.

What you can do:

- Press **Go** to clear the message and continue processing the job.
- Press **Menu** and select Cancel Job from the Job Menu.
- Press **Menu** and select Reset Printer from the Job Menu.

See also:

[Cancel Job](#) or [Reset Printer](#)

51 Defective Flash

What this message means:

The printer detects defective flash memory.

What you can do:

Press **Go** to clear the message and continue printing. You must install different flash memory before you can download any resources to flash.

52 Flash Full

What this message means:

There is not enough free space in the flash memory to store the data you are trying to download.

What you can do:

- Press **Go** to clear the message and continue printing. Downloaded fonts and macros not previously stored in flash memory are deleted.
- Delete fonts, macros, and other data stored on the flash memory.
- Install flash memory with more storage capacity.

53 Unformatted Flash

What this message means:

The printer detects unformatted flash memory.

What you can do:

- Press **Go** to clear the message and continue printing. You must format the flash memory before you can store any resources on it.
- If the error message remains, the flash memory may be defective and require replacing.

54 Serial Option <x> Error

54 Standard Serial Error

What this message means:

The printer has detected a serial interface error on a serial port.

What you can do:

- Make sure the serial link is set up correctly and you are using the appropriate cable.
- Press **Go** to clear the message and continue printing. The job may not print correctly.
- Press **Menu** to open the Job Menu and reset the printer.

54 Network <x> Software Error

54 Std Network Software Error

What these messages mean:

The printer cannot establish communications with an installed network port.

What you can do:

- Press **Go** to clear the message and continue printing. The job may not print correctly.
- Program new firmware for the network interface by way of the parallel port.
- Press **Menu** to open the Job Menu and reset the printer.

54 Std Par ENA
Connection Lost

54 Par <x> ENA
Connection Lost

What this message means:

The printer has lost the connection to an external print server (also called an external network adapter or ENA).

What you can do:

- Make sure the cable connecting the ENA and the printer is securely attached. Turn the printer off and then on to reset the printer.
- Press **Go** to clear the message. The printer erases any reference to the ENA and then resets.

56 Serial
Port <x> Disabled

56 Standard Serial Disabled

What this message means:

Data has been sent to the printer through a serial port, but the serial port is disabled.

What you can do:

- Press **Go** to clear the message. The printer discards any data received through the serial port.
- Make sure the Serial Buffer menu item in the Serial Menu is not set to Disabled.

See also:

[Serial Buffer](#)

56 Parallel
Port <x> Disabled

56 Std Parallel
Port Disabled

What this message means:

Data has been sent to the printer through a parallel port, but the parallel port is disabled.

What you can do:

- Press **Go** to clear the message. The printer discards any data received through the parallel port.
- Make sure the Parallel Buffer menu item in the Parallel Menu is not set to Disabled.

See also:

[Parallel Buffer](#)

56 USB Port <x>
Disabled

56 Standard USB
Port Disabled

What this message means:

Data has been sent to the printer through a USB port, but the USB port is disabled.

What you can do:

- Press **Go** to clear the message. The printer discards any data received through the USB port.
- Make sure the USB Buffer menu item in the USB Menu is not set to Disabled.

See also:

[USB Buffer](#)

57 Configuration
Change

What this message means:

The printer cannot restore confidential or held jobs on the hard disk because the print configuration has changed.

Note: The messages 57 Configuration Change and Held Jobs may not be restored alternate on the display.

What you can do:

Press **Go** to clear the message.

58 Too Many Disks Installed

What this message means:

Too many hard disks are installed on the printer. The printer only supports one hard disk at a time.

What you can do:

Turn off and unplug the printer. Remove the excess hard disks from the printer. Plug in the printer and turn it on.

See also:

[Removing memory and option cards](#)

58 Too Many Flash Options

What this message means:

Too many flash memory options are installed on the printer.

What you can do:

Turn off and unplug the printer. Remove the excess flash memory. Plug in the printer and turn it on.

See also:

[Removing memory and option cards](#)

58 Too Many Trays Attached

What this message means:

Too many drawers with matching trays are installed on the printer.

What you can do:

Turn off and unplug the printer. Remove the additional drawers. Plug in the printer and turn it on.

61 Defective Disk

What this message means:

The printer detects a defective hard disk.

What you can do:

- Press **Go** to clear the message and continue printing.
- Install a different hard disk before you perform any operations that require one.

See also:

Setup Guide

62 Disk Full

What this message means:

There is not enough memory on the hard disk to store the data sent to the printer.

What you can do:

- Press **Go** to clear the message and continue processing. Any information not previously stored on the hard disk is deleted.
- Delete fonts, macros, and other data stored on the hard disk.

63 Unformatted Disk

What this message means:

The printer detects an unformatted hard disk.

What you can do:

- Press **Go** to clear the message and continue printing.
- Format the disk before performing any disk operations. To format the disk, select Format Disk from the Utilities Menu.
- If the error message remains, the hard disk may be defective and require replacing. Install a new hard disk and format it.

See also:

[Format Disk](#)

64 Unsupported Disk Format

What this message means:

The printer detects an unsupported disk format.

What you can do:

- Press **Go** to clear the message.
- Format the disk.

Note: Disk operations are not allowed until the disk is formatted.

80 Scheduled Maintenance

What this message means:

The printer requires replacement of routine maintenance items to maintain top performance and avoid print quality and paper feed problems.

What you can do:

Replace the maintenance items and reset the printer maintenance counter, if necessary.

See also:

[Ordering a fuser; Replacing the fuser](#)

88 Toner Low

What this message means:

The printer detects that the toner supply in the print cartridge is low. If you do not have a print cartridge, order one now. You can print approximately 250 more pages before the cartridge becomes empty.

What you can do:

- Remove the print cartridge and shake it gently back and forth to use the remaining toner.
- Replace the print cartridge.
- Press **Go** to clear the message and continue printing. The **supplies** message is displayed until you replace the print cartridge.

See also:

[Replacing the print cartridge](#)

900–999 Service <message>

What these messages mean:

Messages 900–999 relate to printer problems that may require service.

What you can do:

Turn the printer off and check all cable connections. Turn the printer back on. If the service message recurs, call for service and report the message number and description of the problem.

See also:

[Calling for service](#)



Finishing Menu

Use the Finishing Menu to define how the printer delivers the printed output.

Select a menu item for more details:

- **Blank Pages**
- **Collation**
- **Copies**
- **Duplex**
- **Duplex Bind**
- **Multipage Border**
- **Multipage Order**
- **Multipage Print**
- **Multipage View**
- **Separator Sheets**
- **Separator Source**

Note: Values marked by an asterisk (*) are the factory default settings.

Blank Pages

Purpose:

To specify whether to include application-generated blank pages as part of your printed output.

Values:

Do Not Print*	Does not print application-generated blank pages as part of your job.
Print	Prints application-generated blank pages as part of your job.

Collation

Purpose:

To keep the pages of a print job stacked in sequence when printing multiple copies of the job.

Values:

- Off*** Prints each page of a job the number of times specified by the Copies menu item. For example, if you set Copies to 2 and send three pages to print, the printer prints page 1, page 1, page 2, page 2, page 3, page 3.
- On** Prints entire job the number of times specified by the Copies menu item. For example, if you set Copies to 2 and send three pages to print, the printer prints page 1, page 2, page 3, page 1, page 2, page 3.

Copies

Purpose:

To set the number of copies you want for the printer default value. (Set the number of copies required for a specific job from the printer driver. Values selected from the printer driver always override values selected from the operator panel.)

Values:

1...999 (1*)

See also:

[Collation](#)

Duplex

Purpose:

To set duplex printing as the default for all print jobs. (Select Duplex from the printer driver to duplex only specific jobs.)

Values:

- Off*** Prints on one side of the paper.
- On** Prints on both sides of the paper.

See also:

[Duplex Bind, Using the optional duplex unit](#)

Duplex Bind

Purpose:

To define the way duplexed pages will be bound, and how the printing on the back of the sheet (even-numbered pages) is oriented in relation to the printing on the front (odd-numbered pages).

Values:

Long Edge*	Assumes binding along the long end of the page (left edge for portrait orientation and top edge for landscape orientation).
Short Edge	Assumes binding along the short edge of the page (top edge for portrait orientation and left edge for landscape orientation).

See also:

[Duplex, Using the optional duplex unit](#)

Multipage Border

Purpose:

To print a border around each page image when using Multipage Print.

Values:

None*	Does not print a border around each page image.
Solid	Prints a solid line border around each page image.

See also:

[Multipage Print](#)

Multipage Order

Purpose:

To determine the positioning of multiple page images when using Multipage Print. The positioning depends on the number of images and whether the images are portrait or landscape in orientation.

For example, if you select 4 Up multipage printing and portrait orientation, the results differ depending on the Multipage Order value you select:

Horizontal Order	Vertical Order	Reverse Horizontal Order	Reverse Vertical Order																
<table border="1"><tr><td>page 1</td><td>page 2</td></tr><tr><td>page 3</td><td>page 4</td></tr></table>	page 1	page 2	page 3	page 4	<table border="1"><tr><td>page 1</td><td>page 3</td></tr><tr><td>page 2</td><td>page 4</td></tr></table>	page 1	page 3	page 2	page 4	<table border="1"><tr><td>page 2</td><td>page 1</td></tr><tr><td>page 4</td><td>page 3</td></tr></table>	page 2	page 1	page 4	page 3	<table border="1"><tr><td>page 3</td><td>page 1</td></tr><tr><td>page 4</td><td>page 2</td></tr></table>	page 3	page 1	page 4	page 2
page 1	page 2																		
page 3	page 4																		
page 1	page 3																		
page 2	page 4																		
page 2	page 1																		
page 4	page 3																		
page 3	page 1																		
page 4	page 2																		

Values:

Horizontal*

Vertical

Rev Horizontal

Rev Vertical

See also:

[Multipage Print](#)

Multipage Print

Purpose:

To print multiple page images on one side of a sheet of paper. Also called *n-up* or *Paper Saver*.

Values:

Off*	Prints 1 page image per side.	6 Up	Prints 6 page images per side.
2 Up	Prints 2 page images per side.	9 Up	Prints 9 page images per side.
3 Up	Prints 3 page images per side.	12 Up	Prints 12 page images per side.
4 Up	Prints 4 page images per side.	16 Up	Prints 16 page images per side.

See also:

[Multipage Border](#); [Multipage Order](#); [Multipage View](#)

Multipage View

Purpose:

To determine the orientation of a multipage sheet.

Values:

Auto*	Lets the printer choose between portrait and landscape orientation.
Long Edge	Sets the long edge of the paper as the top of the page (landscape).
Short Edge	Sets the short edge of the paper as the top of the page (portrait).

See also:

[Multipage Print](#)

Separator Sheets

Purpose:

To insert blank separator sheets between jobs, between multiple copies of a job, or between each page of a job.

Values:

None*	Does not insert separator sheets.
Between Copies	Inserts a blank sheet between each copy of a job. If Collation is Off, a blank page is inserted between each set of printed pages (all page 1's, all page 2's, and so on). If Collation is On, a blank page is inserted between each collated copy of the job.
Between Jobs	Inserts a blank sheet between jobs.
Between Pages	Inserts a blank sheet between each page of a job. This is useful if you are printing transparencies or want to insert blank pages in a document for notes.

See also:

[Separator Source](#); [Collation](#)

Separator Source

Purpose:

To specify the paper source that holds separator sheets.

Values:

Tray <x> (Tray 1*)	Selects separator sheets from the specified tray.
MP Feeder	Selects separator sheets from the multipurpose feeder. (You must also set Configure MP to Cassette.)

See also:

[Separator Sheets](#); [Configure MP](#)



Job Menu

The Job Menu is available when the printer is idle, when the printer is busy processing or printing a job, when a printer message is displayed, or when the printer is in Hex Trace mode. Press **Menu** to open the Job Menu.

Select a menu item for more details:

- **Abort Restore**
- **Cancel Job**
- **Confidential Job**
- **Held Jobs**
- **Print Buffer**
- **Reset Printer**

Abort Restore

Purpose:

To abort the restoration of held jobs on the hard disk.

Cancel Job

Purpose:

To cancel the current print job.

Note: Cancel Job is only displayed if the printer is processing a job or has a job in printer memory.

Confidential Job

Purpose:

To print confidential jobs stored in printer memory. (When the confidential job prints, it is automatically deleted from printer memory.)

First select your user name and enter the personal identification number (PIN) associated with your confidential job:

Enter PIN Use the operator panel buttons to enter the PIN associated with your confidential job.

Then select a value:

Print All Jobs Prints all jobs associated with your PIN.
Print A Job Prints the specified confidential job. Press **Menu** to scroll through the list of confidential jobs associated with your PIN. Press **Select** to print a specific job.
Delete All Jobs Deletes all jobs associated with your PIN.
Delete A Job Deletes the specified confidential job. Press **Menu** to scroll through the list of confidential jobs associated with your PIN. Press **Select** to delete a specific job.
Copies Determines the number of copies printed for each confidential job. Press **Menu** to scroll through the list of confidential jobs associated with your PIN. Press **Select** to specify the job you want to print. Press **Menu** to increase or decrease the number of copies, and then press **Select**.

Held Jobs

Purpose:

To print Reserve Print, Repeat Print, or Verify Print jobs stored in printer memory.

First select your user name and enter the personal identification number (PIN) associated with your confidential job:

Enter PIN Use the operator panel buttons to enter the PIN associated with your confidential job.

Then select a value:

Print All Jobs Prints all held jobs.
Print A Job Prints the specified held job. Press **Menu** to scroll through the list of held jobs. Press **Select** to print the specific job.
Delete All Jobs Deletes all held jobs.
Delete A Job Deletes the designated held job. Press **Menu** to scroll through the list of held jobs. Press **Select** to delete the job.
Copies Determines the number of copies for each held job. Press **Menu** to scroll through the list of held jobs. Press **Select** to specify the job you want to print. Press **Menu** to increase or decrease the number of copies, and then press **Select**.

Print Buffer

Purpose:

To print any data stored in the print buffer.

Note: Print Buffer is only available when you enter the Job Menu while **waiting** is displayed. The Waiting state occurs if an incomplete job is sent to the printer or an ASCII job, such as a print screen command, is printing.

Reset Printer

Purpose:

To reset the printer to the user default value for each menu item, delete all downloaded resources (fonts, macros, and symbol sets) stored in printer memory (RAM), and delete all data in the interface link buffer.

Note: Before selecting Reset Printer, exit the software application you are using.



Quality Menu

Use the Quality Menu to change printer settings affecting the quality of printed characters and images. Select a menu item for more details:

- **PictureGrade**
- **Print Resolution**
- **Toner Darkness**

Note: Values marked by an asterisk (*) are the factory default settings.

PictureGrade

Purpose:

To improve the quality of grayscale printing at 300 and 600 dots per inch (dpi) in PCL emulation and PostScript emulation.

Values:

- | | |
|------------|--|
| On* | Uses modified screening parameters to improve print quality of graphics. |
| Off | Uses standard screening parameters. |

Print Resolution

Purpose:

To define the number of dots printed per inch (dpi). The higher the value, the sharper the clarity of printed characters and graphics.

Values:

- | | |
|---------------------|---|
| 300 dpi | Offers a lower resolution printing option when memory is at a premium. |
| 600 dpi* | Produces high quality output for print jobs that are mostly text. |
| 1200 Image Q | Uses line screening for print jobs that contain bitmapped images, such as scanned photos. |

Toner Darkness

Purpose:

To lighten or darken text images, or conserve toner.

Values:

1	6
2	7
3	8*
4	9
5	10

Select a lower value for finer line width, higher definition in graphics, and lighter grayscale images. Select a higher value for bolder line widths or darker grayscale images. Select 10 for very bold text. Select a value less than 7 to conserve toner.

A vertical bar (|) indicates the factory default value. An arrow symbol (V) indicates a user default value.

See also:

[Conserving supplies](#)



Paper Menu

Use the Paper Menu to define the paper loaded in each paper tray and the default paper source and output bin.

Select a menu item for more details:

- **Configure MP**
- **Custom Types**
- **Paper Loading**
- **Paper Size**
- **Paper Source**
- **Paper Type**
- **Substitute Size**
- **Universal Setup**

Note: Values marked by an asterisk (*) are the factory default settings.

Configure MP

Purpose:

To determine when the printer selects paper loaded in the multipurpose feeder.

Values:

Cassette*	Printer treats the multipurpose feeder like any other paper tray. If a print job requests a paper size or type that is only loaded in the multipurpose feeder, the printer pulls paper from the multipurpose feeder for the job.
Manual	Printer treats the multipurpose feeder like a manual feed tray, and displays Load Manual when you need to insert a single sheet of paper in the feeder.
First	Printer pulls paper from the multipurpose feeder until it is empty, regardless of the paper source or paper size requested for the job.

Custom Types

Purpose:

To specify the kind of paper associated with each of the Custom Types available in the Paper Type menu item.

Values for Custom Type <x>, where <x> represents 1, 2, 3, 4, 5, 6 (paper or transparencies):

Paper*	Labels
Card Stock	Envelope
Transparency	

Note: If a user-defined name is available, it is displayed instead of Custom Type <x>. The user-defined name is truncated to 14 characters. If two or more custom types share the same name, the name only appears once in the Custom Types value list.

Paper Loading

Purpose:

To properly handle preprinted paper loaded in a tray, whether the job is a duplexed job or a single-sided job.

Values:

First select a paper type:

Card Stock Load	Colored Loading	Ltrhead Loading	Bond Loading
Preprint Loading	Custom <x> Loading		

Then select a value:

Duplex	Notifies the printer that the specified paper type is loaded properly for duplex printing. If the printer receives a single-sided job using that paper type, the printer inserts blank pages as necessary to print the job properly on preprinted forms. This setting may slow single-sided printing.
Off*	Printer assumes preprinted material is loaded for single-sided printing. Duplexed jobs may not print properly.

Note: If a user-defined name is available, it is displayed instead of Custom <x> Loading. The name is truncated to 14 characters.

Paper Size

Purpose:

To identify the default paper size for each paper source. For trays with automatic size sensing, only the value detected by the hardware is displayed.

Values:

First select a paper source:

Tray <x> Size	MP Feeder Size
Manual Pap Size	Manual Env Size

*Then select a value (*denotes country/region-specific factory default values):*

A4*	A5	JIS B5	10 Envelope*
Letter*	Legal	Executive	DL Envelope*
JIS B4	A3	11 x 17	C5 Envelope
8.5 x 13	Universal	7 3/4 Envelope	Other Envelope

Universal Select Universal when you load paper that does not match any of the other available sizes. The printer automatically formats the page for the maximum possible size. You can then set the actual page size from your application software.

Paper Source

Purpose:

To identify the default paper source.

Values:

Tray <x> (Tray 1*)

MP Feeder

Manual Paper

Manual Env

If you loaded the same size and type of paper in two paper sources (and the Paper Size and Paper Type menu items are correctly set), the trays are automatically linked. When one paper source is empty, paper automatically feeds from the next linked source.

Note: The default for Bond Texture is Rough instead of Normal. If a user-defined name is available for a custom Type, then the name is displayed instead of Custom <x> Texture. The name is truncated to 14 characters.

Use Paper Texture in connection with the Paper Type and Paper Weight menu items. You may need to change those menu items to optimize print quality for your specific paper.

See also:

[Paper Type](#)

Paper Type

Purpose:

To identify the type of paper installed in each paper source.

Values:

First select a paper source:

Tray <x> Type	MP Feeder Type
Manual Pap Type	Manual Env Type

Then select a value:

Plain Paper	Labels	Preprinted	Envelope
Card Stock	Bond	Custom Type <x>	Colored Paper
Transparency	Letterhead		

The Paper Type default for each envelope source is Envelope. The Paper Type default for each paper tray is as follows:

Tray 1 –Plain Paper	MP Feeder –Custom Type 6
Tray 2 –Custom Type 2	Manual Pap Type –Plain Paper
Tray 3 –Custom Type 3	

Note: If a user-defined name is available, it is displayed instead of Custom Type <x>. The user-defined name is truncated to 14 characters. If two or more custom types share the same name, the name only appears once in the Paper Type value list.

Use this menu item to:

- Optimize print quality for the specified paper.
- Select paper sources through your software application by selecting type and size.
- Automatically link paper sources. Any sources containing the same type and size of paper are automatically linked by the printer, if you have set the Paper Size and the Paper Type to the correct values.

Substitute Size

Purpose:

To have the printer substitute the specified paper size if the requested size is not loaded.

Values:

Off	Printer prompts the user to load the requested paper size.
Statement/A5	Prints A5 size jobs on statement size paper if only statement size paper is loaded, and prints statement size jobs on A5 paper if only A5 paper is loaded.
Letter/A4	Prints A4 size jobs on letter size paper if only letter size paper is loaded, and prints letter size jobs on A4 size paper if only A4 size paper is loaded.
11x17/A3	Prints 11x17 size jobs on A3 size paper if only A3 size paper is loaded, and prints A3 size jobs on 11x17 size paper if only 11x17 paper is loaded.
All Listed*	Substitutes Letter/A4.

Universal Setup

Purpose:

To determine the default size when the Paper Size setting for a tray or feeder is Universal.

Values:

First select a unit of measure (denotes a country/region-specific factory default value):*

Inches*

Millimeters*

Then select the values:

Portrait Width	=4.00–20 in. (11.69 in.*)	=76–508 mm (297 mm*)
Portrait Height	=4.00–20 in. (20 in.*)	=76–508 mm (508 mm*)
Feed Direction	=Short Edge* =Long Edge	



PCL Emul Menu

Use the PCL Emul Menu to change printer settings that only affect jobs using the PCL emulation printer language.

Select a menu item for more details:

- **A4 Width**
- **Auto CR after LF**
- **Auto LF after CR**
- **Font Name**
- **Font Source**
- **Lines per Page**
- **Orientation**
- **Pitch**
- **Point Size**
- **Symbol Set**
- **Tray Renumber**

Note: Values marked by an asterisk (*) are the factory default settings.

A4 Width

Purpose:

To select the width of the logical page for A4 size paper.

Values:

- | | |
|----------------|--|
| 198 mm* | Makes the logical page compatible with the Hewlett-Packard LaserJet 5 Printer. |
| 203 mm | Makes the logical page wide enough to print eighty 10-pitch characters. |

Auto CR after LF

Purpose:

To specify whether the printer automatically performs a carriage return after a line feed control command.

Values:

- Off*** Printer does not perform a carriage return after a line feed control command.
- On** Printer performs a carriage return after a line feed control command.

Auto LF after CR

Purpose:

To specify whether the printer automatically performs a line feed after a carriage return control command.

Values:

- Off*** Printer does not perform a line feed after a carriage return control command.
- On** Printer performs a line feed after a carriage return control command.

Font Name

Purpose:

To choose a specific font from the specified font source.

Values:

R0 Courier 10*

The font name and font ID for all fonts in the selected font source are displayed. The font source abbreviation is R for resident, F for flash, K for disk, and D for download.

See also:

[Font Source](#)

Font Source

Purpose:

To determine the set of fonts displayed in the Font Name menu item.

Values:

Resident*	Displays all fonts resident in printer RAM when the printer ships from the factory.
Download	Displays all fonts downloaded to printer RAM.
Flash	Displays all fonts stored in flash memory.
Disk	Displays all fonts stored on the printer hard disk.
All	Displays all fonts available to the printer from all sources.

See also:

[Font Name](#)

Lines per Page

Purpose:

To determine the number of lines that print on each page.

Values:

- 1...255
- 60* (country/region-specific factory default values)
- 64* (country/region-specific factory default values)

The printer sets the amount of space between each line (vertical line spacing) based on the Lines per Page, Paper Size, and Orientation menu items. Select the correct Paper Size and Orientation before changing Lines per Page.

See also:

[Orientation](#); [Paper Size](#)

Orientation

Purpose:

To determine how text and graphics are oriented on the page.

Values:

Portrait*	Prints text and graphics parallel to the short edge of the paper.
Landscape	Prints text and graphics parallel to the long edge of the paper.

Pitch

Purpose:

To specify the font pitch for scalable monospaced fonts.

Values:

0.08...100 (in increments of 0.01 cpi)

10*

Pitch refers to the number of fixed-space characters in a horizontal inch of type. You can select a pitch from 0.08 to 100 characters per inch (cpi) in increments of 0.01 cpi. For nonscalable monospaced fonts, the pitch is displayed, but cannot be changed.

Note: Pitch is only displayed for fixed, or monospaced, fonts.

Point Size

Purpose:

To change the point size for scalable typographic fonts.

Values:

1...1008 (in increments of 0.25 points)

12*

Point size refers to the height of the characters in the font. One point equals approximately 1/72 of an inch. You can select point sizes from 1 to 1008 in increments of 0.25 points.

Note: Point Size is only displayed for typographic fonts.

Symbol Set

Purpose:

To choose a symbol set for a specified font name.

Values:

10U PC-8* (country/region-specific factory default values)

12U PC-850* (country/region-specific factory default values)

A symbol set is a set of alphabetic and numeric characters, punctuation, and special symbols used when printing with a selected font. Symbol sets support the different requirements for languages or specific applications, such as math symbols for scientific text. Only the symbol sets supported for the selected font name are displayed.

See also:

[Font Name](#)

Tray Renumber

Purpose:

To configure your printer to work with printer drivers or applications that use different source assignments for the paper trays.

First select a paper source:

Assign Tray <x>	Assign Man Env
Assign MP Feeder	Assign Man Paper

Then select a value:

Off*	Printer uses factory default paper source assignments.
0...199	Select a numeric value to assign a custom value to a paper source.
None	Paper source ignores the Select Paper Feed command.

Other Tray Renumber selections:

View Factory Def	Press Menu to display the factory default value assigned to each paper source.
Restore Defaults	Select Yes to return all tray assignments to factory default values.

Note: Refer to the *Technical Reference* for more information about assigning source numbers.



PPDS Menu

Use the PPDS Menu to change printer settings that only affect jobs using the PPDS emulation printer language.

Select a menu item for more details:

- **Auto CR after LF**
- **Auto LF after CR**
- **Best Fit**
- **Character Set**
- **Lines per Inch**
- **Lines per Page**
- **Orientation**
- **Page Format**
- **Tray 1 Renumber**

Note: Values marked by an asterisk (*) are the factory default settings.

Auto CR after LF

Purpose:

To specify whether the printer automatically performs a carriage return after a line feed control command.

Values:

- Off*** Printer does not perform a carriage return after a line feed control command.
- On** Printer performs a carriage return after a line feed control command.

Auto LF after CR

Purpose:

To specify whether the printer automatically performs a line feed after a carriage return control command.

Values:

- Off*** Printer does not perform a line feed after a carriage return control command.
- On** Printer performs a line feed after a carriage return control command.

Best Fit

Purpose:

To specify whether the printer substitutes the closest matching font when a requested font is not found.

Values:

- Off** Printer stops printing and displays a message indicating that the requested font cannot be found.
- On*** Printer selects a font that best matches the characteristics of the requested font and continues printing.

Character Set

Purpose:

To specify which set of characters and symbols the printer uses to interpret code pages when printing PPDS jobs.

Values:

- Character Set 1** Printer interprets code pages using English language characters and symbols.
- Character Set 2*** Printer interprets code pages using non-English language characters and symbols.

Lines per Inch

Purpose:

To determine the number of lines that print.

Values:

1...255

60* (country/region-specific factory default values)

64* (country/region-specific factory default values)

The printer sets the amount of space between each line (vertical line spacing) based on the Lines per Page, Paper Size, and Orientation menu items. Select the correct Paper Size and Orientation before changing Lines per Page.

See also:

[Orientation](#); [Paper Size](#)

Lines per Page

Purpose:

To determine the number of lines that print on each page.

Values:

1...255

60* (country/region-specific factory default values)

64* (country/region-specific factory default values)

The printer sets the amount of space between each line (vertical line spacing) based on the Lines per Page, Paper Size, and Orientation menu items. Select the correct Paper Size and Orientation before changing Lines per Page.

See also:

[Orientation](#); [Paper Size](#)

Orientation

Purpose:

To determine how text and graphics are oriented on the page.

Values:

Portrait*	Prints text and graphics parallel to the short edge of the paper.
Landscape	Prints text and graphics parallel to the long edge of the paper.

Page Format

Purpose:

To determine where the printer positions the text on the page using the margins set from software applications.

Values:

Print*	The left and top margin areas on the print job are equal to the software margin settings <i>plus</i> the unprintable area.
Whole	The left and top margin areas on the print job are equal to the software margin settings.

Tray 1 Renumber

Purpose:

To configure your printer to work with printer drivers or applications that use different source assignments for the paper trays.

Select a value:

Off*	Printer uses factory default paper source assignments.
Tray 2	Paper source ignores the Select Paper Feed command.

Use the Serial Menu to change printer settings affecting jobs sent to the printer through a serial port (Serial Opt <x>).

Select a menu item for more details:

- **Baud**
- **Data Bits**
- **Honor DSR**
- **Job Buffering**
- **NPA Mode**
- **Parity**
- **PCL SmartSwitch**
- **PS SmartSwitch**
- **Robust XON**
- **RS-232**
- **Serial Buffer**
- **Serial Protocol**

Note: Values marked with an asterisk (*) are the factory default settings.

Baud

Purpose:

To specify the rate at which data can be received through the serial port.

Values:

1200	57600
2400	115200
4800	
9600*	
19200	
38400	

See also:

Technical Reference

Data Bits

Purpose:

To specify the number of data bits that are sent in each transmission frame.

Values:

7
8*

See also:

Technical Reference

Honor DSR

Purpose:

To determine whether the printer uses the Data Set Ready (DSR) signal. DSR is one of the handshaking signals for most serial interface cables.

Values:

- Off*** All data received by the serial port is treated as valid data.
- On** Only data received while the DSR signal is high is treated as valid.

The serial interface uses DSR to distinguish data sent by the computer from data created by electrical noise in the serial cable. This electrical noise can cause stray characters to print. Select On to prevent stray characters from printing.

Job Buffering

Purpose:

To temporarily store jobs on the printer hard disk before printing.

Values:

- Off*** Does not buffer print jobs to the hard disk.
- On** Buffers print jobs to the hard disk.
- Auto** Buffers print jobs only if the printer is busy processing data from another input port.

Note: Changing the Job Buffering menu item automatically resets the printer.

NPA Mode

Purpose:

To specify whether the printer performs the special processing required for bidirectional communication, following the conventions defined in the Network Printing Alliance (NPA) Protocol.

Values:

- On** Printer performs NPA processing. If data is not in NPA format, it is rejected as bad data.
- Off** Printer does not perform NPA processing.
- Auto*** Printer examines the data to determine the format and then processes it appropriately.

Note: Changing this menu item automatically resets the printer.

Parity

Purpose:

To select the parity for serial input and output data frames.

Values:

- Even
- Odd
- None*
- Ignore

See also:

Technical Reference

PCL SmartSwitch

Purpose:

To configure the printer so it automatically switches to PCL emulation when a print job received through the serial port requires it, regardless of the default printer language.

Values:

- On*** Printer examines data on the serial interface and selects PCL emulation if the data indicates that is the required printer language.
- Off** Printer does not examine the incoming data. The printer uses PostScript emulation to process the job if PS SmartSwitch is On, or uses the default printer language specified in the Setup Menu if PS SmartSwitch is Off.

See also:

[PS SmartSwitch; Printer Language](#)

PS SmartSwitch

Purpose:

To configure the printer so it automatically switches to PostScript emulation when a print job received through the serial port requires it, regardless of the default printer language.

Values:

- On*** Printer examines data on the serial interface and selects PostScript emulation if the data indicates that is the required printer language.
- Off** Printer does not examine the incoming data. The printer uses PCL emulation to process the job if PCL SmartSwitch is On, or uses the default printer language specified in the Setup Menu if PCL SmartSwitch is Off.

See also:

[PCL SmartSwitch](#); [Printer Language](#)

Robust XON

Purpose:

To determine whether the printer communicates availability to the computer.

Values:

- Off*** Printer waits to receive data from the computer.
- On** Printer sends a continuous stream of XONs to the host computer to indicate that the serial port is ready to receive more data.

This menu item only applies to the serial port if Serial Protocol is set to XON/XOFF.

RS-232

Purpose:

To specify the type of serial communication.

Values:

- RS-232*

Serial Buffer

Purpose:

To configure the size of the serial input buffer.

Values:

Disabled	Disables serial (Parallel, USB) port. Any jobs already buffered on the disk are printed before normal processing of incoming jobs resumes.
Auto*	Printer automatically calculates the serial buffer size (recommended setting).
3K to maximum size allowed	User specifies the serial buffer size. The maximum size depends on the amount of memory in your printer, the size of the other link buffers, and whether Resource Save is set to On or Off. To maximize the range for the serial buffer size, disable or reduce the size of the parallel and USB buffers.

Note: Changing the Serial Buffer menu item automatically resets the printer.

See also:

[Resource Save](#)

Serial Protocol

Purpose:

To select the hardware and software handshaking values for the serial interface.

Values:

DTR*	Hardware handshaking.
DTR/DSR	Hardware handshaking.
XON/XOFF	Software handshaking.
XON/XOFF/DTR	Combined hardware and software handshaking.
XONXOFF/DTRDSR	Combined hardware and software handshaking.

See also:

Technical Reference



Network Menu

Use the Network Menu to change printer settings affecting jobs sent to the printer through a network port (either Standard Network or Network Opt <x>).

Select a menu item for more details:

- **Job Buffering**
- **MAC Binary PS**
- **Network Buffer**
- **Network <x> Setup**
- **NPA Mode**
- **PCL SmartSwitch**
- **PS SmartSwitch**
- **Std Net Setup**

Note: Values marked by an asterisk (*) are the factory default settings.

Job Buffering

Purpose:

To temporarily store jobs on the printer hard disk before printing.

Values:

- | | |
|-------------|---|
| Off* | Does not buffer jobs to the hard disk. |
| On | Buffers print jobs to the hard disk. |
| Auto | Buffers print jobs only if the printer is busy processing data from another input port. |

Note: Changing the Job Buffering menu item automatically resets the printer.

MAC Binary PS

Purpose:

To configure the printer to process Macintosh binary PostScript print jobs.

Values:

- | | |
|--------------|---|
| On | Printer processes raw binary PostScript print jobs from computers using the Macintosh operating system.
Note: This setting often causes Windows print jobs to fail. |
| Off | Printer filters PostScript print jobs using standard protocol. |
| Auto* | Printer processes print jobs from computers using either Windows or Macintosh operating systems. |

Network Buffer

Purpose:

To configure the size of the network input buffer.

Values:

- | | |
|-----------------------------------|--|
| Auto* | Printer automatically calculates the network buffer size (recommended setting). |
| 3K to maximum size allowed | User specifies the network buffer size. The maximum size depends on the amount of memory in your printer, the size of the other link buffers, and whether Resource Save is set to On or Off. To maximize the range for the network buffer size, disable or reduce the size of the parallel, serial, and USB buffers. |

Note: Changing the Network Buffer menu item automatically resets the printer.

See also:

[Resource Save](#)

Network <x> Setup

Purpose:

To configure an internal print server.

Values:

Values for this menu item are supplied by the specific print server. Select the menu item to see the available values.

Note: Refer to the documentation on the drivers CD for more information.

NPA Mode

Purpose:

To specify whether the printer performs the special processing required for bidirectional communication, following the conventions defined in the Network Printing Alliance (NPA) Protocol.

Values:

- Off** Printer does not perform NPA processing.
- Auto*** Printer examines the data to determine the format and then processes it appropriately.

Note: Changing this menu item automatically resets the printer.

PCL SmartSwitch

Purpose:

To configure the printer so it automatically switches to PCL emulation when a print job received through the network port requires it, regardless of the default printer language.

Values:

- On*** Printer examines data on the network interface and selects PCL emulation if the data indicates that is the required printer language.
- Off** Printer does not examine the incoming data. The printer uses PostScript emulation to process the job if PS SmartSwitch is On, or uses the default printer language specified in the Setup Menu if PS SmartSwitch is Off.

See also:

[PS SmartSwitch](#); [Printer Language](#)

PS SmartSwitch

Purpose:

To configure the printer so it automatically switches to PostScript emulation when a print job received through the network port requires it, regardless of the default printer language.

Values:

- On*** Printer examines data on the network interface connection and selects PostScript emulation if the data indicates that is the required printer language.
- Off** Printer does not examine the incoming data. The printer uses PCL emulation to process the job if PCL SmartSwitch is On, or uses the default printer language specified in the Setup Menu if PCL SmartSwitch is Off.

See also:

[PCL SmartSwitch](#); [Printer Language](#)

Std Net Setup

Purpose:

To configure an internal print server.

Values:

Values for this menu item are supplied by the specific print server. Select the menu item to see the available values.

Note: Refer to the documentation on the drivers CD for more information.



Parallel Menu

Use the Parallel Menu to change printer settings affecting jobs sent to the printer through a parallel port (either Std Parallel or Parallel Opt <x>).

Select a menu item for more details:

- **Advanced Status**
- **Honor Init**
- **Job Buffering**
- **MAC Binary PS**
- **NPA Mode**
- **Parallel Buffer**
- **Parallel Mode 1**
- **Parallel Mode 2**
- **PCL SmartSwitch**
- **PCL SmartSwitch; Printer Language**
- **Protocol**
- **PS SmartSwitch**

Note: Values marked by an asterisk (*) are the factory default settings.

Advanced Status

Purpose:

To enable bidirectional communication through the parallel port.

Values:

- | | |
|------------|---|
| Off | Disables parallel port negotiation. |
| On* | Enables bidirectional communication through the parallel interface. |

Honor Init

Purpose:

To determine whether the printer honors hardware initialization requests from the computer. The computer requests initialization by activating the INIT signal on the parallel interface. Many personal computers activate the INIT signal each time the computer is turned on and off.

Values:

- Off*** Printer does not honor hardware initialization requests from the computer.
- On** Printer honors hardware initialization requests from the computer.

Job Buffering

Purpose:

To temporarily store jobs on the printer hard disk before printing.

Values:

- Off*** Does not buffer print jobs to the hard disk.
- On** Buffers print jobs to the hard disk.
- Auto** Buffers print jobs only if the printer is busy processing data from another input port.

Note: Changing the Job Buffering menu item automatically resets the printer.

MAC Binary PS

Purpose:

To configure the printer to process Macintosh binary PostScript print jobs.

Values:

- On** Printer processes raw binary PostScript print jobs from computers using the Macintosh operating system.
Note: This setting often causes Windows print jobs to fail.
- Off** Printer filters PostScript print jobs using standard protocol.
- Auto*** Printer processes print jobs from computers using either Windows or Macintosh operating systems.

NPA Mode

Purpose:

To specify whether the printer performs the special processing required for bidirectional communication, following the conventions defined in the Network Printing Alliance (NPA) Protocol.

Values:

- On** Printer performs NPA processing. If data is not in NPA format, it is rejected as bad data.
- Off** Printer does not perform NPA processing.
- Auto*** Printer examines data and determines the format and then processes it appropriately.

Note: Changing this menu item automatically resets the printer.

Parallel Buffer

Purpose:

To configure the size of the parallel input buffer.

Values:

- Disabled** Disables serial (Parallel, USB) port. Any jobs already buffered on the disk are printed before normal processing of incoming jobs resumes.
- Auto*** Printer automatically calculates the Parallel Buffer size (recommended setting).
- 3K to maximum size allowed** User specifies the Parallel Buffer size. The maximum size depends on the amount of memory in your printer, the size of the other link buffers, and whether Resource Save is set to On or Off. To maximize the range for the Parallel Buffer size, disable or reduce the size of the serial and USB buffers.

Note: Changing the Parallel Buffer menu item automatically resets the printer.

See also:

[Resource Save](#)

Parallel Mode 1

Purpose:

To control the pull-up resistors on the parallel port signals. This menu item is useful for personal computers that have open collector outputs on the parallel port signals.

Values:

- On** Disables the resistors.
- Off*** Enables the resistors.

Parallel Mode 2

Purpose:

To determine whether the parallel port data is sampled on the leading or trailing edge of strobe.

Values:

- On*** Samples parallel port data on the leading edge of strobe.
- Off** Samples parallel port data on the trailing edge of strobe.

PCL SmartSwitch

Purpose:

To configure the printer so it automatically switches to PCL emulation when a print job received through the parallel port requires it, regardless of the default printer language.

Values:

- On*** Printer examines data on the parallel interface and selects PCL emulation if the data indicates that is the required printer language.
- Off** Printer does not examine the incoming data. The printer uses PostScript emulation to process the job if PS SmartSwitch is On, or uses the default printer language specified in the Setup Menu if PS SmartSwitch is Off.

See also:

[Printer Language; PS SmartSwitch](#)

Protocol

Purpose:

To specify the parallel interface protocol.

Values:

- Standard** May resolve some parallel interface problems.
- Fastbytes*** Provides compatibility with most existing parallel interface implementations (recommended setting).

See also:

Technical Reference

PS SmartSwitch

Purpose:

To configure the printer so it automatically switches to PostScript emulation when a print job received through the parallel port requires it, regardless of the default printer language.

Values:

- On*** Printer examines data on the parallel interface and selects PostScript emulation if the data indicates that is the required printer language.
- Off** Printer does not examine the incoming data. The printer uses PCL emulation to process the job if PCL SmartSwitch is On, or uses the default printer language specified in the Setup Menu if PCL SmartSwitch is Off.

See also:

[PCL SmartSwitch](#); [Printer Language](#)



Setup Menu

Use the Setup Menu to configure a variety of printer features.

Select a menu item for more details:

- **Alarm Control**
- **Auto Continue**
- **Display Language**
- **Download Target**
- **Jam Recovery**
- **Job Accounting**
- **Page Protect**
- **Power Saver**
- **Print Area**
- **Print Timeout**
- **Printer Language**
- **Resource Save**
- **Toner Alarm**
- **Wait Timeout**

Note: Values marked by an asterisk (*) are the factory default settings.

Alarm Control

Purpose:

To establish whether the printer sounds an alarm when the printer requires operator intervention.

Values:

Off	Printer does not sound an alarm.
Single*	Printer sounds three quick beeps.
Continuous	Printer repeats three beeps every 10 seconds.

Auto Continue

Purpose:

To define the amount of time (in seconds) the printer waits after displaying an operator intervention error message before it resumes printing.

Values:

Disabled*	Printer does not resume printing until someone clears the error message.
5...255	Printer waits the specified amount of time, and then automatically resumes printing. This timeout value also applies if the menus are displayed (and the printer is offline) for the specified period of time.

Display Language

Purpose:

To determine the language of the text on the operator panel display.

Values:

English	Norsk	Russian
Français	Nederlands	Polski
Deutsch	Svenska	Hungarian
Italiano	Português	Turkish
Español	Suomi	Czech
Dansk	Japanese	

Note: All values may not be available.

Download Target

Purpose:

To specify the storage location for downloaded resources.

Values:

RAM*	All downloaded resources are automatically stored in printer memory (RAM).
Flash	All downloaded resources are automatically stored in flash memory.
Disk	All downloaded resources are automatically stored on the hard disk.

Storing downloaded resources in flash memory or on a hard disk is permanent storage rather than the temporary storage that RAM provides. The resources remain in the flash memory or on the hard disk even when the printer is turned off. Use MarkVision to download resources to the printer.

Jam Recovery

Purpose:

To establish whether the printer reprints jammed pages.

Values:

- | | |
|--------------|---|
| On | Printer reprints jammed pages. |
| Off | Printer does not reprint jammed pages. |
| Auto* | Printer reprints a jammed page unless the memory required to hold the page is needed for other printer tasks. |

Job Accounting

Purpose:

To store statistical information about your most recent print jobs on the hard disk. The statistics include whether the job printed with or without errors, the print time, the job size (in bytes), the requested paper size and paper type, the total number of printed pages, and the number of copies requested.

Values:

- | | |
|-------------|---|
| Off* | Printer does not store job statistics on disk. |
| On | Printer stores job statistics for the most recent print jobs. |

Note: Job Accounting is only displayed when a hard disk is installed, is neither defective nor Read/Write or Write protected.

See also:

[Job Acct Stat](#)

Page Protect

Purpose:

To successfully print a page that may otherwise generate **Complex Page** errors.

Values:

- | | |
|-------------|---|
| Off* | Prints a partial page of data if memory is insufficient to process the entire page. |
| On | Ensures that an entire page is processed before it prints. |

If, after selecting On, you still cannot print the page, you may also have to reduce the size and number of fonts on the page, or increase the installed printer memory.

For most print jobs, you do not need to select On. When On is selected, printing may be slower.

Power Saver

Purpose:

To specify the amount of time (in minutes) the printer waits after a job is printed before it goes into a reduced power state.

Values:

1...240 Specifies the amount of time after a print job before the printer goes into Power Saver mode. (Your printer may not support the entire range of values.)

The factory default Power Saver setting depends on your printer model. Print the menu settings page to determine the current Power Saver setting. When the printer is in Power Saver mode, it is still ready to receive print jobs.

Select 1 to put the printer in Power Saver mode one minute after it finishes a print job. This uses much less energy, but requires more warm-up time for the printer. Select 1 if your printer shares an electrical circuit with room lighting and you notice lights flickering.

Select a high value if your printer is in constant use. Under most circumstances, this keeps the printer ready to print with minimum warm-up time. Select a value between 1 and 240 minutes if you want a balance between energy consumption and a shorter warm-up period.

Print Area

Purpose:

To modify the logical and physical printable area.

Values:

Normal*

Whole Page

Note: The Whole Page setting only affects pages printed using PCL 5 interpreter. This setting has no effect on pages printed using the PCL XL or PostScript interpreters. If you try to print any data in the non-printable area defined by Normal Print Area, the printer will clip the image at the boundary defined by the Normal defined printable area.

See also:

Technical Reference

Print Timeout

Purpose:

To specify the amount of time (in seconds) the printer waits before printing the last page of a print job that does not end with a command to print the page. The print timeout counter does not start until **Waiting** is displayed.

Values:

Disabled	The printer does not print the last page of a print job until one of the following occurs: <ul style="list-style-type: none">• The printer receives enough information to fill the page.• The printer receives a Form Feed command.• You select Print Buffer from the Job Menu.
1...255 (90*)	The printer prints the last page after the specified time. (Your printer may not support the entire range of values.)

Printer Language

Purpose:

To establish the default printer language used to communicate data from the computer to the printer.

Values:

PCL Emulation*	PCL emulation, compatible with Hewlett-Packard printers.
PS Emulation	PostScript emulation, compatible with Adobe PostScript language.
PPDS Emulation	PPDS emulation.

Note: Setting a printer language as the default does not prevent a software application from sending print jobs that use the other language.

Resource Save

Purpose:

To determine what the printer does with downloaded resources, such as fonts and macros stored in RAM, if the printer receives a job that requires more memory than is available.

Values:

Off*	Printer retains downloaded resources only until memory is needed. It then deletes those resources associated with the inactive printer language.
On	Printer retains all downloaded resources for all printer languages during language changes and printer resets. If the printer runs out of memory, 38 Memory Full is displayed.

Toner Alarm

Purpose:

To specify how the printer responds when it is low on toner.

Values:

Off	The printer displays a warning and continues printing.
Single*	Printer stops printing, displays an error message, and sounds three quick beeps.
Continuous	Printer stops printing, displays an error message, and repeats three beeps every 10 seconds until the toner cartridge is replaced.

Wait Timeout

Purpose:

To specify the amount of time (in seconds) the printer waits to receive additional bytes of data from the computer. When this timeout expires, the print job is canceled.

Values:

Disabled	Disables Wait Timeout.
15...65535 (40*)	Specifies the amount of time the printer waits for additional data before it cancels the job.

Note: Wait Timeout is only available when you use PostScript emulation. This menu item has no effect on PCL emulation print jobs.



PostScript Menu

Use the PostScript Menu to change printer settings that only affect jobs using the PostScript emulation printer language.

Select a menu item for more details:

- **Font Priority**
- **Print PS Error**

Note: Values marked by an asterisk (*) are the factory default settings.

Font Priority

Purpose:

To establish the font search order.

Values:

Resident*	Printer searches printer memory for the requested font before searching flash memory or hard disk.
Flash/Disk	Printer searches the hard disk and flash memory for the requested font before searching printer memory.

Note: Font Priority is only displayed when a formatted flash or hard disk is installed, is neither defective nor Read/Write or Write protected.

Print PS Error

Purpose:

To print a page defining the PostScript emulation error when an error occurs.

Values:

Off*	Discards the print job without printing an error message.
On	Prints an error message before it discards the job.



USB Menu

Use the USB Menu to change printer settings affecting a Universal Serial Bus (USB) port.

Select a menu item for more details:

- **Job Buffering**
- **MAC Binary PS**
- **NPA Mode**
- **PCL SmartSwitch**
- **PS SmartSwitch**
- **USB Buffer**

Note: Values marked by an asterisk (*) are the factory default settings.

Job Buffering

Purpose:

To temporarily store jobs on the printer hard disk before printing.

Values:

- Off*** Does not buffer print jobs to the hard disk.
- On** Buffers print jobs to the hard disk.
- Auto** Buffers print jobs only if the printer is busy processing data from another input port.

Note: Changing the Job Buffering menu item automatically resets the printer.

MAC Binary PS

Purpose:

To configure the printer to process Macintosh binary PostScript print jobs.

Values:

- On** Printer processes raw binary PostScript print jobs from computers using the Macintosh operating system.
Note: This setting often causes Windows print jobs to fail.
- Off** Printer filters PostScript print jobs using standard protocol.
- Auto*** Printer processes print jobs from computers using either Windows or Macintosh operating systems.

NPA Mode

Purpose:

To specify whether the printer performs the special processing required for bidirectional communication, following the conventions defined in the Network Printing Alliance (NPA) Protocol.

Values:

- On** Printer performs NPA processing. If data is not in NPA format, it is rejected as bad data.
- Off** Printer does not perform NPA processing.
- Auto*** Printer examines the data to determine the format and then processes it appropriately.

Note: Changing this menu item automatically resets the printer.

PCL SmartSwitch

Purpose:

To configure the printer so it automatically switches to PCL emulation when a print job received through the USB port requires it, regardless of the default printer language.

Values:

- On*** Printer examines the data on the USB interface and selects PCL emulation if the data indicates that is the required printer language.
- Off** Printer does not examine the incoming data. The printer uses PostScript emulation to process the job if PS SmartSwitch is On, or uses the default printer language specified in the Setup Menu if PS SmartSwitch is Off.

See also:

[PS SmartSwitch](#); [Printer Language](#)

PS SmartSwitch

Purpose:

To configure the printer so it automatically switches to PostScript emulation when a print job received through the USB port requires it, regardless of the default printer language.

Values:

- | | |
|------------|---|
| On* | Printer examines data on the USB interface and selects PostScript emulation if the data indicates that is the required printer language. |
| Off | Printer does not examine the incoming data. The printer uses PCL emulation to process the job if PCL SmartSwitch is On, or uses the default printer language specified in the Setup Menu if PCL SmartSwitch is Off. |

See also:

[PCL SmartSwitch](#); [Printer Language](#)

USB Buffer

Purpose:

To configure the size of the USB input buffer.

Values:

- | | |
|-----------------------------------|--|
| Disabled | Disables serial (Parallel, USB) port. Any jobs already buffered on the disk are printed before normal processing of incoming jobs resumes. |
| Auto* | Printer automatically calculates the USB Buffer size (recommended setting). |
| 3K to maximum size allowed | User specifies the USB Buffer size. The maximum size depends on the amount of memory in your printer, the size of the other link buffers, and whether Resource Save is set to On or Off. To maximize the range for the USB Buffer size, disable or reduce the size of the parallel, serial, and network buffers. |

Note: Changing the USB Buffer menu item automatically resets the printer.

See also:

[Resource Save](#)



Utilities Menu

Use the Utilities Menu to print a variety of listings relating to available printer resources, printer settings, and print jobs. Other menu items let you set up printer hardware and troubleshoot printer problems.

Select a menu item for more details:

- Defragment Flash
- Factory Defaults
- Format Disk
- Format Flash
- Hex Trace
- Job Acct Stat
- Print Demo
- Print Directory
- Print Fonts
- Print Menus
- Print Net <x> Setup
- Remove Held Jobs

Defragment Flash

Purpose:

To retrieve storage area lost when resources are deleted from flash memory.

Values:

- | | |
|------------|--|
| Yes | Printer transfers all resources stored in flash memory to printer memory and then reformats the flash memory option. When the format operation is complete, the resources are loaded back into flash memory. |
| No | Printer cancels the request to defragment the flash memory. |

WARNING: Do not turn off the printer while the flash is defragmenting.

Factory Defaults

Purpose:

To return your printer settings to the factory default values.

Values:

- | | |
|-----------------------|--|
| Restore | <ul style="list-style-type: none">• All menu items are returned to the factory default values except:<ul style="list-style-type: none">– Display Language.– All settings in the Parallel Menu, Serial Menu, Network Menu, and USB Menu.• All downloaded resources (fonts, macros, and symbol sets) in printer memory (RAM) are deleted. (Resources residing in flash memory or on the hard disk are unaffected.) |
| Do Not Restore | User-defined settings remain. |

Format Disk

Purpose:

To format the printer hard disk.

Values:

- | | |
|------------|--|
| Yes | Deletes any data stored on the hard disk and prepares the device to receive new resources. |
| No | Cancels the request to format the hard disk and leaves current resources stored on the disk. |

WARNING: Do not turn off the printer while the hard disk is formatting.

Format Flash

Purpose:

To format the flash memory.

Values:

- | | |
|------------|---|
| Yes | Deletes any data stored in flash memory and prepares the flash memory to receive new resources. |
| No | Cancels the request to format the flash memory and leaves current resources stored in flash memory. |

WARNING: Do not turn off the printer while the flash is formatting.

Hex Trace

Purpose:

To help isolate the source of a print job problem. With Hex Trace selected, all data sent to the printer is printed in hexadecimal and character representation. Control codes are not executed.

To exit Hex Trace, turn the printer off or reset the printer from the Job Menu.

Job Acct Stat

Purpose:

To print a listing of all job statistics stored on the hard disk, or to clear all statistics on the disk.

Values:

Print	Prints all statistics available for the most recent print jobs.
Clear	Deletes all accumulated job statistics from the hard disk.

See also:

[Job Accounting](#)

Print Demo

Purpose:

To view a list of the demo files available in printer memory, flash memory, and on the optional hard disk.

Print Directory

Purpose:

To print a list of all the resources stored in flash memory or on the hard disk.

Note: Print Directory is available only when either a nondefective flash or disk is installed and formatted.

See also:

Technical Reference

Print Fonts

Purpose:

To print a sample of all the fonts available for the selected printer language.

Values:

PCL Fonts	Prints a sample of all printer fonts available for PCL emulation.
PS Fonts	Prints a sample of all printer fonts available for PostScript emulation.
PPDS Fonts	Prints a sample of all printer fonts available for PPDS emulation.

Print Menus

Purpose:

To print a listing of the current user default values, the installed options, the amount of installed printer memory, and the status of printer supplies.

Print Net <x> Setup

Purpose:

To print information relating to the internal print server and the network settings defined by the Network <x> Setup menu item in the Network Menu.

Remove Held Jobs

Purpose:

To remove confidential and held jobs from the printer hard disk.

Note: Remove Held Jobs is only available when confidential jobs or held jobs are stored on an installed hard disk.

Values:

All	Removes all confidential and held jobs stored on the hard disk.
Confidential	Removes confidential jobs stored on the hard disk.
Held	Removes held jobs stored on the hard disk.
Not Restored	Removes all confidential or held jobs that were not restored from the hard disk to printer memory.

WARNING: Removed jobs are no longer available in the list of jobs when you select Held Jobs or Confidential Job from the Job Menu. They cannot be restored on the hard disk during the printer power-on cycle.

When jobs are removed, **Deleting Jobs** is displayed.



Notices

- Edition notice
- Trademarks
- Licensing notice
- Safety information
- Cautions and warnings
- Electronic emission notices
- Noise emission levels
- Energy Star
- Laser notice

Edition notice

Edition: July 2002

The following paragraph does not apply to any country where such provisions are inconsistent with local law: LEXMARK INTERNATIONAL, INC., PROVIDES THIS PUBLICATION “AS IS” WITHOUT WARRANTY OF ANY KIND, EITHER EXPRESS OR IMPLIED, INCLUDING, BUT NOT LIMITED TO, THE IMPLIED WARRANTIES OF MERCHANTABILITY OR FITNESS FOR A PARTICULAR PURPOSE. Some states do not allow disclaimer of express or implied warranties in certain transactions; therefore, this statement may not apply to you.

This publication could include technical inaccuracies or typographical errors. Changes are periodically made to the information herein; these changes will be incorporated in later editions. Improvements or changes in the products or the programs described may be made at any time.

Comments about this publication may be addressed to Lexmark International, Inc., Department F95/032-2, 740 West New Circle Road, Lexington, Kentucky 40550, U.S.A. In the United Kingdom and Eire, send to Lexmark International Ltd., Marketing and Services Department, Westhorpe House, Westhorpe, Marlow Bucks SL7 3RQ. Lexmark may use or distribute any of the information you supply in any way it believes appropriate without incurring any obligation to you. You can purchase additional copies of publications related to this product by calling 1-800-553-9727. In the United Kingdom and Eire, call +44 (0)8704 440 044. In other countries, contact your point of purchase.

References in this publication to products, programs, or services do not imply that the manufacturer intends to make these available in all countries in which it operates. Any reference to a product, program, or service is not intended to state or imply that only that product, program, or service may be used. Any functionally equivalent product, program, or service that does not infringe any existing intellectual property right may be used instead. Evaluation and verification of operation in conjunction with other products, programs, or services, except those expressly designated by the manufacturer, are the user's responsibility.

**© Copyright 2002 Lexmark International, Inc.
All rights reserved.**

UNITED STATES GOVERNMENT RESTRICTED RIGHTS

This software and documentation are provided with RESTRICTED RIGHTS. Use, duplication or disclosure by the Government is subject to restrictions as set forth in subparagraph (c)(1)(ii) of the Rights in Technical Data and Computer Software clause at DFARS 252.227-7013 and in applicable FAR provisions: Lexmark International, Inc., Lexington, KY 40550.

Trademarks

Lexmark and Lexmark with diamond design, FontVision, MarkNet, and MarkVision are trademarks of Lexmark International, Inc., registered in the United States and/or other countries.

PictureGrade is a trademark of Lexmark International, Inc.

Operation ReSource is a service mark of Lexmark International, Inc.

PCL[®] is a registered trademark of the Hewlett-Packard Company. PCL is Hewlett-Packard Company's designation of a set of printer commands (language) and functions included in its printer products. This printer is intended to be compatible with the PCL language. This means the printer recognizes PCL commands used in various application programs, and that the printer emulates the functions corresponding to the commands.

PostScript[®] is a registered trademark of Adobe Systems Incorporated. PostScript 3 is Adobe Systems' designation of a set of printer commands (language) and functions included in its software products. This printer is intended to be compatible with the PostScript 3 language. This means the printer recognizes PostScript 3 commands used in various application programs, and that the printer emulates the functions corresponding to the commands.

Details relating to compatibility are included in the *Technical Reference*.

The following terms are trademarks or registered trademarks of these companies:

Albertus	The Monotype Corporation plc
Antique Olive	Monsieur Marcel OLIVE
Apple-Chancery	Apple Computer, Inc.
Arial	The Monotype Corporation plc

Candid	Agfa Corporation
CG Omega	Product of Agfa Corporation
CG Times	Based on Times New Roman under license from The Monotype Corporation plc, is a product of Agfa Corporation
Chicago	Apple Computer, Inc.
Clarendon	Linotype-Hell AG and/or its subsidiaries
Eurostile	Nebiolo
Geneva	Apple Computer, Inc.
GillSans	The Monotype Corporation plc
Helvetica	Linotype-Hell AG and/or its subsidiaries
Hoefler	Jonathan Hoefler Type Foundry
ITC Avant Garde Gothic	International Typeface Corporation
ITC Bookman	International Typeface Corporation
ITC Lubalin Graph	International Typeface Corporation
ITC Mona Lisa	International Typeface Corporation
ITC Zapf Chancery	International Typeface Corporation
Joanna	The Monotype Corporation plc
Marigold	Arthur Baker
Monaco	Apple Computer, Inc.
New York	Apple Computer, Inc.
Oxford	Arthur Baker
Palatino	Linotype-Hell AG and/or its subsidiaries
Stempel Garamond	Linotype-Hell AG and/or its subsidiaries
Taffy	Agfa Corporation
Times New Roman	The Monotype Corporation plc
TrueType	Apple Computer, Inc.
Univers	Linotype-Hell AG and/or its subsidiaries
Wingdings	Microsoft Corporation

Other trademarks are the property of their respective owners.

Licensing notice

The printer resident software contains:

- Software developed and copyrighted by Lexmark
- Lexmark modified software licensed under the provisions of the GNU General Public License version 2 and the GNU Lesser General Public License version 2.1
- Software licensed under the BSD license and warranty statements

Click the title of the document you want to review:

 [BSD License and Warranty statements](#)

 [GNU General Public License](#)

The Lexmark modified GNU licensed software is free software; you can redistribute it and/or modify it under the terms of the licenses referenced above. These licenses do not provide you any rights to the Lexmark copyrighted software in this printer.

Since the GNU licensed software that the Lexmark modifications are based upon is supplied explicitly without warranty, use of the Lexmark modified version is similarly provided without warranty. See the warranty disclaimers in the referenced licenses for additional details.

To obtain source code files for the Lexmark modified GNU licensed software, launch the drivers CD that shipped with your printer and click Contact Lexmark.

Safety information

- The power cord must be connected to a properly grounded electrical outlet that is near the product and easily accessible.
- Refer service or repairs, other than those described in the operating instructions, to a professional service person.
- This product is designed, tested, and approved to meet strict global safety standards with the use of specific Lexmark components. The safety features of some parts may not always be obvious. Lexmark is not responsible for the use of other replacement parts.
- Your product uses a laser.

CAUTION: : Use of controls or adjustments or performance of procedures other than those specified herein may result in hazardous radiation exposure.

- Your product uses a printing process that heats the print media, and the heat may cause the media to release emissions. You must understand the section in your operating instructions that discusses the [guidelines for selecting print media](#) to avoid the possibility of harmful emissions.

Cautions and warnings

CAUTION: A caution identifies something that might cause you harm.

WARNING: A warning identifies something that might damage your printer hardware or software.

Electronic emission notices

Printers with a network cable attached

Federal Communications Commission (FCC) compliance information statement

The Lexmark W812n network printer, Machine Type 4022-110, has been tested and found to comply with the limits for a Class A digital device, pursuant to Part 15 of the FCC Rules. Operation is subject to the following two conditions: (1) this device may not cause harmful interference, and (2) this device must accept any interference received, including interference that may cause undesired operation.

The FCC Class A limits are designed to provide reasonable protection against harmful interference when the equipment is operated in a commercial environment. This equipment generates, uses, and can radiate radio frequency energy and, if not installed and used in accordance with the instruction manual, may cause harmful interference to radio communications. Operation of this equipment in a residential area is likely to cause harmful interference, in which case the user will be required to correct the interference at his own expense.

The manufacturer is not responsible for any radio or television interference caused by using other than recommended cables or by unauthorized changes or modifications to this equipment. Unauthorized changes or modifications could void the user's authority to operate this equipment.

Note: To assure compliance with FCC regulations on electromagnetic interference for a Class A computing device, use a properly shielded and grounded cable such as Lexmark part number 1329605 for parallel attach or 12A2405 for USB attach. Use of a substitute cable not properly shielded and grounded may result in a violation of FCC regulations.

Industry Canada compliance statement

This Class A digital apparatus meets all requirements of the Canadian Interference-Causing Equipment Regulations.

Avis de conformité aux normes d'Industrie Canada

Cet appareil numérique de la classe A respecte toutes les exigences du Règlement sur le matériel brouilleur du Canada.

European Community (EC) directives conformity

This product is in conformity with the protection requirements of EC Council directives 89/336/EEC and 73/23/EEC on the approximation and harmonization of the laws of the Member States relating to electromagnetic compatibility and safety of electrical equipment designed for use within certain voltage limits.

A declaration of conformity with the requirements of the directives has been signed by the Director of Manufacturing and Technical Support, Lexmark International, S.A., Boigny, France.

This product satisfies the Class A limits of EN 55022 and safety requirements of EN 60950.

Warning

When a print server is installed, this is a Class A product. In a domestic environment, this product may cause radio interference, in which case, the user may be required to take adequate measures.

Japanese VCCI notice

この装置は、情報処理装置等電波障害自主規制協議会（VCCI）の基準に基づくクラス A 情報技術装置です。この装置を家庭環境で使用すると電波妨害を引き起こすことがあります。この場合には使用者が適切な対策を講ずるよう要求されることがあります。

Printers without a network cable attached

Federal Communications Commission (FCC) compliance information statement

The Lexmark W812 laser printer, Machine Type 4022-100 , has been tested and found to comply with the limits for a Class B digital device, pursuant to Part 15 of the FCC Rules. Operation is subject to the following two conditions: (1) this device may not cause harmful interference, and (2) this device must accept any interference received, including interference that may cause undesired operation.

The FCC Class B limits are designed to provide reasonable protection against harmful interference in a residential installation. This equipment generates, uses and can radiate radio frequency energy and, if not installed and used in accordance with the instructions, may cause harmful interference to radio communications. However, there is no guarantee that interference will not occur in a particular installation. If this equipment does cause harmful interference to radio or television reception, which can be determined by turning the equipment off and on, the user is encouraged to try to correct the interference by one or more of the following measures:

Reorient or relocate the receiving antenna.

- Increase the separation between the equipment and receiver.
- Connect the equipment into an outlet on a circuit different from that to which the receiver is connected.
- Consult your point of purchase or service representative for additional suggestions.

The manufacturer is not responsible for any radio or television interference caused by using other than recommended cables or by unauthorized changes or modifications to this equipment. Unauthorized changes or modifications could void the user's authority to operate this equipment.

Note: To assure compliance with FCC regulations on electromagnetic interference for a Class B computing device, use a properly shielded and grounded cable such as Lexmark part number 1329605 for parallel attach or 12A2405 for USB attach. Use of a substitute cable not properly shielded and grounded may result in a violation of FCC regulations.

Any questions regarding this compliance information statement should be directed to:

Director of Lab Operations
Lexmark International, Inc.
740 West New Circle Road
Lexington, KY 40550
(859) 232-3000

Industry Canada compliance statement

This Class B digital apparatus meets all requirements of the Canadian Interference-Causing Equipment Regulations.

Avis de conformité aux normes d'Industrie Canada

Cet appareil numérique de la classe B respecte toutes les exigences du Règlement sur le matériel brouilleur du Canada.

European Community (EC) directives conformity

This product is in conformity with the protection requirements of EC Council directives 89/336/EEC and 73/23/EEC on the approximation and harmonization of the laws of the Member States relating to electromagnetic compatibility and safety of electrical equipment designed for use within certain voltage limits.

A declaration of conformity with the requirements of the directives has been signed by the Director of Manufacturing and Technical Support, Lexmark International, S.A., Boigny, France.

This product satisfies the Class B limits of EN 55022 and safety requirements of EN 60950.

Japanese VCCI notice

この装置は、情報処理装置等電波障害自主規制協議会（VCCI）の基準に基づくクラス B 情報技術装置です。この装置は、家庭環境で使用することを目的としていますが、この装置がラジオやテレビジョン受信機に近接して使用されると、受信障害を引き起こすことがあります。
取扱説明書に従って正しい取り扱いをして下さい。

The United Kingdom Telecommunications Act 1984

This apparatus is approved under the approval number NS/G/1234/J/100003 for the indirect connections to the public telecommunications systems in the United Kingdom.

Noise emission levels

The following measurements were made in accordance with ISO 7779 and reported in conformance with ISO 9296.

1-meter average sound pressure, dBA	
Printing	52 dBA
Idling	32 dBA

Energy Star



The EPA ENERGY STAR Office Equipment program is a partnership effort with office equipment manufacturers to promote the introduction of energy-efficient products and to reduce air pollution caused by power generation.

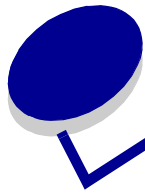
Companies participating in this program introduce products that power down when they are not being used. This feature will cut the energy used by up to 50 percent. Lexmark is proud to be a participant in this program.

As an ENERGY STAR Partner, Lexmark International, Inc. has determined that this product meets the ENERGY STAR guidelines for energy efficiency.

Laser notice

The printer is certified in the U.S. to conform to the requirements of DHHS 21 CFR Subchapter J for Class I (1) laser products, and elsewhere is certified as a Class I laser product conforming to the requirements of IEC 60825-1.

Class I laser products are not considered to be hazardous. The printer contains internally a Class IIIb (3b) laser that is nominally a 5 milliwatt gallium arsenide laser operating in the wavelength region of 770-795 nanometers. The laser system and printer are designed so there is never any human access to laser radiation above a Class I level during normal operation, user maintenance, or prescribed service condition.



Index

A

- A4 Width (PCL Emul Menu) 144
- Abort Restore (Job Menu) 133
- aborting restoration of held jobs 133
- Advanced Status (Parallel Menu) 163
- Alarm Control (Setup Menu) 168
- alarms
 - error messages 169
 - setting 168
 - toner 173
- Auto Continue (Setup Menu) 169
- Auto CR after LF (PCL Emul Menu) 145
- Auto CR after LF (PPDS Menu) 149
- Auto LF after CR (PCL Emul Menu) 145
- Auto LF after CR (PPDS Menu) 150
- auto size sensing 20
- automatic size sensing 140
- automatic tray linking 20
- avoiding paper jams 31

B

- Baud (Serial Menu) 154
- Best Fit (PPDS Menu) 150
- Blank Pages (Finishing Menu) 127
- buffer sizes, adjusting
 - network 160
 - parallel 165
 - serial 158
 - USB 177

C

- calling for service 46
- Cancel Job (Job Menu) 133
- canceling a print job 11
- card stock
 - guidelines 19
- Character Set (PPDS Menu) 150
- characteristics, print media
 - card stock 19

- labels 19
- letterhead 18
- paper 17
- transparencies 18
- Collation (Finishing Menu) 128
- collation, enabling 128
- complex page errors 170
- Confidential Job (Job Menu) 134
- Configure MP (Paper Menu) 138
- Copies (Finishing Menu) 128
- copies, specifying number 128
- current menu settings 78
- Custom Types (Paper Menu) 139

D

- Data Bits (Serial Menu) 154
- Defragment Flash (Utilities Menu) 178
- disabling 77
 - operator panel menus 75
 - Power Saver 76
 - size sensing 77
- disk
 - See hard disk
- Display Language (Setup Menu) 169
- Download Target (Setup Menu) 169
- downloadable fonts 86
- downloaded resources
 - printing 180
 - resource save 172
 - storing 169
- duplex
 - binding 129
 - enabling 128
 - using the duplex unit 33
- Duplex (Finishing Menu) 128
- Duplex Bind (Finishing Menu) 129

E

- emission notices 187
- entering menus 65
- envelopes, printing 30

F

- Factory Defaults (Utilities Menu) 179
- factory defaults, restoring 179
- FCC notices 187
- Finishing Menu 127
 - Blank Pages 127
 - Collation 128
 - Copies 128
 - Duplex 128
 - Duplex Bind 129
 - Multipage Border 129
 - Multipage Order 130
 - Multipage Print 131
 - Multipage View 131
 - Separator Sheets 132
 - Separator Source 132
- flash memory 70
 - defragmenting 178
 - formatting 179
 - printing downloaded resources 180
 - removing 70
 - setting as download target 169
- Font Name (PCL Emul Menu) 145
- Font Priority (PostScript Menu) 174
- Font Source (PCL Emul Menu) 146
- fonts
 - choosing in PCL emulation 145
 - downloadable 86
 - printing font samples 88
 - printing samples 181
 - priority 174
 - resident 81, 88
 - symbol sets supported 148
 - symbol sets, PCL 6 emulation 86
- Format Disk (Utilities Menu) 179
- Format Flash (Utilities Menu) 179
- fuser
 - 80 Scheduled Maintenance 61
 - removing 61

G

Go button 65

H

Hagaki cards, printing 28
hard disk
 formatting 179
 printing downloaded resources 180
 setting as download target 169
Held jobs 13
Held Jobs (Job Menu) 134
Hex Trace (Utilities Menu) 180
Honor DSR (Serial Menu) 155
Honor Init (Parallel Menu) 164

I

interfaces
 network 159
 parallel 163
 serial 153
 USB 175

J

Jam Recovery (Setup Menu) 170
jams
 avoiding 31
 See paper jams
job
 canceling 133
 confidential 134
 held 134
 statistics 170
Job Accounting (Setup Menu) 170
Job Acct Stat (Utilities Menu) 180
Job Buffering (Network Menu) 159
Job Buffering (Parallel Menu) 164
Job Buffering (Serial Menu) 155
Job Buffering (USB Menu) 175
Job Menu 133
 Abort Restore 133
 Cancel Job 133
 Confidential Job 134
 Held Jobs 134
 Print Buffer 135
 Reset Printer 135

L

label sheets, printing 28
labels
 guidelines 19
laser notice 190
letterhead
 guidelines 18
 loading 22
Lines per Inch (PPDS Menu) 151

Lines per Page (PCL Emul Menu) 146
Lines per Page (PPDS Menu) 151
linking 20
 trays 20
loading
 250-sheet trays
 A3, JIS B4, legal, 8.5x13, 11x17 24
 letter, A4, A5, JIS B5 21
 letterhead 22
 500-sheet trays
 letter, A4 26
locking menus 75

M

MAC Binary PS (Network Menu) 160
MAC Binary PS (Parallel Menu) 164
MAC Binary PS (USB Menu) 176
maximum stack height
 500-sheet tray 27
 trays 1, 2, 3 22
memory
 Print and Hold function 13
 memory option, removing 70
Menu buttons 65
menu settings page, printing 78
menus
 disabling 75
 enabling 75
 entering 65
 language 169
 printing menu settings page 78
 selecting 66
 menu items 66
 numerical values 65
messages
 1565 Emul Error Load Emul Option 114
 2<xx> Paper Jam 114
 31 Defective Print Cartridge 115
 34 Wrong Paper Size in Tray <x> 115
 35 Res Save Off Deficient Memory 116
 37 Insufficient Collation Area 116
 37 Insufficient Defrag Memory 116
 37 Insufficient Memory 117
 38 Memory Full 117
 39 Complex Page 118
 4<x> Unsupported Firmware Card 118
 50 PPDS Font Error 119

51 Defective Flash 119
52 Flash Full 119
53 Unformatted Flash 120
54 Network <x> Software Error 120
54 Par <x> ENA Connection Lost 121
54 Serial Option <x> Error 120
54 Standard Serial Error 120
54 Std Network Software Error 120
54 Std Par ENA Connection Lost 121
56 Parallel Port <x> Disabled 121
56 Serial Port <x> Disabled 121
56 Standard Serial Disabled 121
56 Standard USB Port Disabled 122
56 Std Parallel Port Disabled 121
56 USB Port <x> Disabled 122
57 Configuration Change 122
58 Too Many Disks Installed 123
58 Too Many Flash Options 123
58 Too Many Trays Attached 123
61 Defective Disk 124
62 Disk Full 124
63 Unformatted Disk 124
64 Unsupported Disk Format 125
80 Scheduled Maintenance 125
88 Toner Low 125
900–999 Service <message> 126
Activating Demo Mode 91
Activating Menu Changes 91
Activating PPDS 91
Busy 92
Cancelling Job 92
Change <x> 92
Check <device> Connection 93
Clearing Job Accounting Stat 93
Close Duplex Doors 93
Close Top Cover 93
Deactivating Demo Mode 94
Deactivating PPDS 94
Defragmenting 94
Delete All Jobs 95
Deleting Jobs 95
Disabling Menus 95
Disk Corrupted. Reformat? 96
Disk Recovery x/5 yyy% 96

- Enabling Menus 96
- Enter PIN
 - =___ 97
- Flushing Buffer 97
- Formatting Disk 97
- Formatting Disk yyy% 98
- Formatting Flash 98
- Held Jobs may be lost 99
- Held Jobs May Not Be Restored 99
- Insert Print Cartridge 100
- Insert Tray <x> 100
- Invalid Network <x> Code 100
- Invalid Standard Network Code 100
- Load Manual 101
- Load Tray <x> 101
- Maintenance 101
- Menus Disabled 102
- Network <x> 102
- Network Card Busy 102
- No Jobs Found. Retry? 103
- Not Ready 103
- Parallel <x> 103
- Performing Self Test 103
- Power Saver 104
- Print Jobs on Disk 104
- Printing Alignment Page 104
- Printing Directory List 105
- Printing Font List 105
- Printing Job Accounting Stat 105
- Printing Menu Settings 106
- Printing Quality Test Pages 106
- Prog System Code 106
- Program Flash 107
- Programming Disk 107
- Programming Error P<x> 107
- Queuing and Deleting Jobs 108
- Queuing Jobs 108
- Ready 108
- Ready Hex 109
- Remove Paper <specified bin> 109
- Res Reduced 109
- Resetting Maint Cnt Value 110
- Resetting the Printer 110
- Restore Held Jobs. Go/Stop? 110
- Restoring Factory Defaults 111
- Restoring Held Job xxx/yyy 111
- Serial <x> 111
- Std Bin Full 112
- Toner Low 112
- Tray <x> Empty 112
- Tray <x> Low 113
- Tray <x> Missing 113
- USB <x> 113
- Waiting 114

- Multipage Border (Finishing Menu) 129
- Multipage Order (Finishing Menu) 130
- multipage print
 - border settings 129
 - configuring 131
 - order settings 130
 - view settings 131
- Multipage Print (Finishing Menu) 131
- Multipage View (Finishing Menu) 131
- multipurpose feeder
 - printing envelopes 30
- multipurpose feeder, configuring 138

N

- Network <x> Setup (Network Menu) 160
- Network Buffer (Network Menu) 160
- Network Menu 159
 - Job Buffering 159
 - MAC Binary PS 160
 - Network <x> Setup 160
 - Network Buffer 160
 - NPA Mode 161
 - PCL SmartSwitch 161
 - PS SmartSwitch 162
 - Std Net Setup 162
- network port
 - configuring
 - buffer size 160
 - NPA mode 161
 - PCL SmartSwitch 161
 - PS SmartSwitch 162
- NPA Mode (Network Menu) 161
- NPA Mode (Parallel Menu) 165
- NPA Mode (Serial Menu) 155
- NPA Mode (USB Menu) 176
- NPA mode, setting
 - network port 161
 - parallel port 165
 - serial port 155
 - USB port 176
- numbers, operator panel 66
- numerical values, selecting 65

O

- operator panel 65
 - buttons 65
 - numbers 66
- options
 - verifying installation with menu settings page 78

- ordering 55
 - print cartridge 55
- ordering supplies 55
- Orientation (PCL Emul Menu) 147
- Orientation (PPDS Menu) 152

P

- Page Format (PPDS Menu) 152
- Page Protect (Setup Menu) 170
- paper
 - guidelines 18
 - storing 31
- paper jams
 - reprinting jammed pages 170
- Paper Loading
 - 250-sheet trays
 - A3, JIS B4, legal, 8.5x13, 11x17 24
 - letter, A4, A5, JIS B5 18
 - 500-sheet trays
 - letter, A4 26
 - multipurpose feeder
 - paper, envelopes, transparencies, label sheets, Hagaki cards 28
- Paper Menu 139
- Paper Menu 138
 - Configure MP 138
 - Custom Types 139
 - Paper Loading 139
 - Paper Size 140
 - Paper Source 141
 - Paper Type 142
 - Substitute Size 143
 - Universal Setup 143
- Paper Size (Paper Menu) 140
- Paper Source (Paper Menu) 141
- Paper Type (Paper Menu) 142
- paper, specifying
 - custom type 139
 - if requested size not loaded 143
 - preprinted forms 139
 - size 140
 - source 141
 - type 142
- Parallel Buffer (Parallel Menu) 165
- Parallel Menu 163
 - Advanced Status 163
 - Honor Init 164
 - Job Buffering 164
 - MAC Binary PS 164
 - NPA Mode 165
 - Parallel Buffer 165
 - Parallel Mode 1 165
 - Parallel Mode 2 166
 - PCL SmartSwitch 166
 - Protocol 166

- PS SmartSwitch 167
- Parallel Mode 1 (Parallel Menu) 165
- Parallel Mode 2 (Parallel Menu) 166
- parallel port
 - configuring
 - bidirectional communication 163
 - buffer size 165
 - data sampling 166
 - hardware initialization 164
 - NPA mode 165
 - PCL SmartSwitch 166
 - protocol 166
 - PS SmartSwitch 167
 - enabling
 - resistors 165
- Parity (Serial Menu) 156
- PCL Emul Menu 144
 - A4 Width 144
 - Auto CR after LF 145
 - Auto LF after CR 145
 - Font Name 145
 - Font Source 146
 - Lines per Page 146
 - Orientation 147
 - Pitch 147
 - Point Size 147
 - Symbol Set 148
 - Tray Renumber 148
- PCL emulation
 - A4 width 144
 - automatic carriage return 145
 - automatic line feed 145
 - font name 145
 - font sample print 181
 - font source 146
 - font support 88
 - lines per page 146
 - orientation 147
 - pitch 147
 - point size 147
 - resident fonts 81
 - symbol set 148
 - tray renumber 148
- PCL SmartSwitch (Network Menu) 161
- PCL SmartSwitch (Parallel Menu) 166
- PCL SmartSwitch (Serial Menu) 156
- PCL SmartSwitch (USB Menu) 176
- PCL SmartSwitch, setting
 - See *also* printer language
 - network port 161
 - parallel port 166
 - serial port 156
- USB port 176
- personal identification number (PIN), entering 66
- PictureGrade (Quality Menu) 136
- PIN 66
 - See personal identification number 66
- Pitch (PCL Emul Menu) 147
- Point Size (PCL Emul Menu) 147
- ports
 - network 159
 - parallel 163
 - serial 153
 - USB 175
- PostScript emulation
 - font priority 174
 - font sample print 181
 - font support 88
 - printing PS errors 174
 - resident fonts 81
- PostScript Menu 174
 - Font Priority 174
- power saver
 - configuring 171
- Power Saver (Setup Menu) 171
- PPDS emulation
 - automatic carriage return 149
 - automatic line feed 150
 - Best Fit 150
 - character set 150
 - lines per inch 151
 - lines per page 151
 - orientation 152
 - page format 152
 - resident fonts 81
 - tray 1 renumber 152
- PPDS Menu 149
 - Auto CR after LF 149
 - Auto LF after CR 150
 - Best Fit 150
 - Character Set 150
 - Lines per Inch 151
 - Lines per Page 151
 - Orientation 152
 - Page Format 152
 - Tray 1 Renumber 152
- Print and Hold function
 - see held jobs 13
- Print Area (Setup Menu)
 - Setup Menu
 - Print Quality 171
- Print Buffer (Job Menu) 135
- print cartridge
 - ordering 55
 - recycling 57
 - removing 58
- Print Demo (Utilities Menu) 180
- Print Directory (Utilities Menu) 180
- Print Fonts (Utilities Menu) 181
- print job, canceling 11
- print media
 - guidelines
 - card stock 19
 - labels 19
 - letterhead 18
 - paper 17
 - transparencies 18
 - letterhead
 - guidelines 18
 - transparencies
 - guidelines 18
- Print Menus (Utilities Menu) 181
- Print Net<x> Setup (Utilities Menu) 181
- print options
 - print buffer 135
 - separator sheets 132
 - See *also* separator source 132
- Print PS Error (PostScript Menu) 174
- print quality, adjusting
 - PictureGrade 136
 - print resolution 136
 - toner darkness 137
- Print Resolution (Quality Menu) 136
- print statistics
 - job accounting 170
 - printing job statistics 180
- print timeout
 - configuring 172
- Print Timeout (Setup Menu) 172
- printer
 - resetting 135
 - taking offline 65
 - with Menu button 65
 - with Stop button 66
- Printer Language (Setup Menu) 172
- printer memory option, removing 70
- printer menu settings, changing 80
- printer menus
 - disabling 75
 - enabling 75
 - locking operator panel 75
- printer messages
 - Enter PIN 16
 - No Jobs Found. Retry? 16
- printer system board 68
 - accessing 68
 - closing 74
- printer testing
 - Hex Trace mode 180
 - print defaults 181
 - print hardware statistics 181
- printing

- duplexed jobs 33
 - envelopes 30
 - font samples 88
 - Hagaki cards 28
 - label sheets 28
 - menu settings page 78
 - specialty media 28
 - transparencies 28
 - problem solving
 - clearing operator panel error messages 65
 - stopping printer 66
 - problems
 - calling for service 46
 - incorrect characters print 43
 - job didn't print 42
 - job prints 43
 - from wrong tray 43
 - on wrong paper or media 43
 - large jobs do not collate 44
 - operator panel 42
 - blank 42
 - displays black diamonds 42
 - options
 - operating incorrectly 45
 - stops working 45
 - paper feed
 - frequent jams 40
 - jammed page does not reprint 41
 - Paper Jam message remains after clearing jam 41
 - paper jams when duplexing Universal size paper 41
 - print quality 35
 - black pages 35
 - blank pages 35
 - clipped images 39
 - ghost image of lighter text 39
 - gray background 36
 - incorrect margins 39
 - irregularities 37
 - paper curls once printed 39
 - print too dark 36
 - print too light 36
 - skewed print 38
 - streaked horizontal lines 37
 - streaked vertical lines 38
 - toner rubs off 38
 - toner specks 38
 - uneven print density 36
 - white or black line 37
 - print time seems long 43
 - tray linking does not work 44
 - unexpected page breaks 44
 - Protocol (Parallel Menu) 166
 - PS emulation
 - See PostScript emulation
 - PS SmartSwitch (Network Menu) 162
 - PS SmartSwitch (Parallel Menu) 167
 - PS SmartSwitch (Serial Menu) 157
 - PS SmartSwitch (USB Menu) 177
 - PS SmartSwitch, setting
 - See also printer language 172
 - network port 162
 - parallel port 167
 - serial port 157
 - USB port 177
- Q**
- Quality Menu 136
 - PictureGrade 136
 - Print Resolution 136
 - Toner Darkness 137
- R**
- recycling supplies 57
 - Remove Held Jobs (Utilities Menu) 182
 - removing
 - firmware card 73
 - flash memory option 70
 - option cards 71
 - printer memory option 70
 - Reset Printer (Job Menu) 135
 - resetting printer 135
 - resident fonts 81
 - Resource Save (Setup Menu) 172
 - Return button 66
 - Robust XON (Serial Menu) 157
 - RS-232 (Serial Menu) 157
- S**
- safety information 186
 - scalable fonts
 - resident 81
 - Select button 66
 - selecting 66
 - menu items 66
 - numerical values 65
 - Separator Sheets (Finishing Menu) 132
 - Separator Source (Finishing Menu) 132
 - Serial Buffer (Serial Menu) 158
 - Serial Menu 153
 - Baud 154
 - Data Bits 154
 - Honor DSR 155
 - Job Buffering 155
 - NPA Mode 155
 - Parity 156
 - PCL SmartSwitch 156
 - PS SmartSwitch 157
 - Robust XON 157
 - RS-232 157
 - Serial Buffer 158
 - Serial Protocol 158
 - serial port
 - adjusting
 - transmission speeds 154
 - configuring
 - buffer size 158
 - NPA mode 155
 - parity 156
 - PCL SmartSwitch 156
 - protocol 158
 - PS SmartSwitch 157
 - robust XON 157
 - enabling
 - DSR (Data Set Ready) signals 155
 - Serial Protocol (Serial Menu) 158
 - service, calling for 46
 - Setup Menu 168
 - Alarm Control 168
 - Auto Continue 169
 - Display Language 169
 - Download Target 169
 - Jam Recovery 170
 - Job Accounting 170
 - Page Protect 170
 - Power Saver 171
 - Print Timeout 172
 - Printer Language 172
 - Resource Save 172
 - Toner Alarm 173
 - Wait Timeout 173
 - size sensing
 - disabling 77
 - specialty media, printing 28
 - stack height, maximum
 - trays 1, 2, 3 22
 - statistics
 - printing 180
 - storing 170
 - Std Net Setup (Network Menu) 162
 - Stop button 66
 - storing 31
 - paper 31
 - supplies 31
 - Substitute Size (Paper Menu) 143
 - supplies 55
 - ordering 55
 - recycling 57
 - storing 31
 - Symbol Set (PCL Emul Menu) 148
 - symbol set support 89
 - symbol sets, definition 86

T

- taking printer offline 66
 - with Menu button 65
 - with Stop button 66
- test printing
 - Hex Trace mode 180
 - menus page 181
- timeout
 - print 172
 - wait 173
- toner
 - alarm 173
- Toner Alarm (Setup Menu) 173
- Toner Darkness (Quality Menu) 137
- transparencies
 - guidelines 18
 - printing 28
- Tray 1 Renumber (PPDS Menu) 152
- tray linking 20
- Tray Renumber (PCL Emul Menu) 148

U

- Universal Setup (Paper Menu) 143
- unlocking menus 75
- USB Buffer (USB Menu) 177
- USB Menu 175
 - Job Buffering 175
 - MAC Binary PS 176
 - NPA Mode 176
 - PCL SmartSwitch 176
 - PS SmartSwitch 177
 - USB Buffer 177
- USB port
 - configuring
 - buffer size 177
 - NPA mode 176
 - PCL SmartSwitch 176
 - PS SmartSwitch 177
- user default settings
 - current 80
- Utilities Menu 178
 - Defragment Flash 178
 - Factory Defaults 179
 - Format Disk 179
 - Format Flash 179
 - Hex Trace 180
 - Job Acct Stat 180
 - Print Demo 180
 - Print Directory 180
 - Print Fonts 181
 - Print Menus 181
 - Print Net<x> Setup 181
 - Remove Held Jobs 182

V

- values, selecting 80
- verifying printing 78
 - menus settings page 78

W

- Wait Timeout (Setup Menu) 173
- wait timeout, configuring 173



Lexmark and Lexmark with diamond design are trademarks of Lexmark International, Inc., registered in the United States and/or other countries.

© 2002 Lexmark International, Inc.

740 West New Circle Road
Lexington, Kentucky 40550