

Lexmark W840



LEXMARKTM

Lexmark W840

The Lexmark W840 wide-format departmental printer has a 625 MHz processor, 256MB of memory, a fast print speed of up to 50 ppm and a USB Direct flash drive for PDF printing.



Lexmark W840, W840n, W840dn

In the Box

Lexmark W840

- Lexmark W840 Printer
- 30,000-page Toner Cartridge¹
- Photoconductor (Up to 60,000 pages)
- Setup Sheet
- Publications CD
- Drivers and Utilities CD

• Power Cord

Lexmark W840n

- Lexmark W840 PLUS Ethernet

Lexmark W840dn

- Lexmark W840n PLUS Duplex

Product Specifications

Part Number	US/Canada: W840: 25A0075, W840n: 25A0001, W840dn: 25A0076
Product Class	Wide-format departmental laser printer
Speed	Up to 50 ppm
Time to First Page	As fast as 7 seconds
Print Resolution	1200 x 1200 dpi; 2400 image quality printing; 600 x 600 dpi
Processor	625 MHz
Memory (std./max.)	256MB/768MB
Connectivity	
Standard	W840: Parallel, USB, 1 internal solutions port, USB Direct Interface
Optional	W840n, W840dn: Ethernet, Parallel, USB, 1 ISP, USB Direct Interface W840: Ethernet, Gigabit Ethernet, Serial, Wireless, Fiber Optic W840, W840n, W840dn: Gigabit Ethernet, Serial, Wireless, Fiber Optic
Printer Languages	PostScript 3 and PCL 6 emulations, PPDS Migration Tool
Direct Print Formats	W840: PDF v1.5; “n” models: PDF v1.5, GIF, PNG, BMP, PCX, DCX, JPEG, TIFF, HTML 4.0
Fonts	PCL: 89 scalable, 2 bitmapped, includes OCR-A, OCR-B and Code 3 of 9 bar codes; PostScript: 158 scalable; PPDS: 39 scalable, 5 bitmapped
Operating Systems	Windows, Linux, UNIX, Mac, NetWare and OS/400
Acoustics	Printing: 55 dBA; Idle: 28 dBA
Size (WxDxH)	W840, W840n: 24.3 in. x 20.5 in. x 18.7 in. (616 mm x 520 mm x 475 mm) W840dn: 24.3 in. x 20.5 in. x 22.5 in. (616 mm x 520 mm x 571 mm)
Weight	W840, W840n: 97 lb. (44.2 kg); W840dn: 101 lb. (46 kg)
Duty Cycle	Up to 300,000 pages per month

Media Specifications

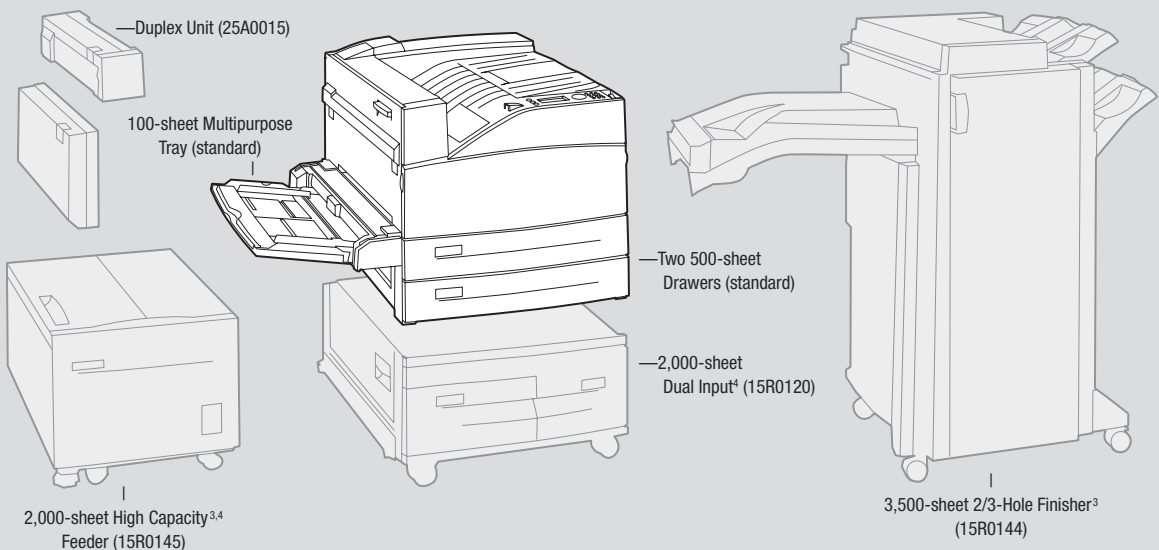
Paper Capacity (sheets)	
Standard	Input: 1,100 (500+500+100 MPT); Output: 500
Maximum	Input: 5,100; Output: 3,800
Paper Sources	
Standard	Input: 3; Output: 1
Maximum	Input: 6; Output: 3
Media Information	
Types	Plain paper, envelopes, card stock, transparencies, paper labels
Size	Letter, legal, A4, A3, A5, JIS B4, JIS B5, universal (3.5 x 3.8 in. to 11.7 x 17 in.), tabloid, statement, executive, folio, and envelopes (7 ³ / ₄ , 8, 10, DL, C5, other)
Weight	Plain paper: 17 to 58 lb. (64 to 216 g/m ²); Card stock: up to 110 lb. (199 g/m ²)

Shipping Dimensions

- Lexmark W840, W840n**
Size: 32.7 x 32.7 x 24.2
Weight: 116 lb.
- Lexmark W840dn**
Size: 32.7 x 32.7 x 38.8
Weight: 168 lb.

Part Numbers

Supplies	30,000-page Toner Cartridge ¹	W84020H
	Photoconductor Kit (Up to 60,000 pages)	W84030H
	Staple Pack (3 x 5,000)	25A0013
	Routine Maintenance Items: Maintenance Kit	40X0956
Memory Options	128MB RAM	13N1523
	256MB RAM	13N1524
	512MB RAM	13N1526
	32MB Flash Card ²	1021208
	64MB Flash Card ²	1021209
	40GB Hard Drive	13N1530
Warranty	1-year, next business day Onsite Repair	Base
	1-year Onsite Repair extended warranty	2347512
	2-year Onsite Repair extended warranty	2347513
	3-year Onsite Repair extended warranty	2347514



Options Not Pictured

2 x 500-sheet Drawer	15R0146
----------------------	---------

¹ Declared standard page yield value in accordance with ISO/IEC 19752

² One flash memory slot and one application slot available

³ Requires either 2,000-sheet dual input or optional 2x500-sheet drawer

⁴ Up to letter size supported

Additional Part Numbers

Solutions	Bar Code Card	25A0036
	Card for IPDS and SCS/TNe	25A0032
	PrintCrypton™ Card	25A0034
	Forms Card	25A0035
	Card for PRESCRIBE	25A0033
	Korean Font Card	1021240
	Simplified Chinese Font Card	1021241
	Traditional Chinese Font Card	1021242
	Japanese Font Card	1021243
Connectivity	External Print Servers ¹	
	MarkNet™ N7020e Gigabit Ethernet Print Server	14T0220
	MarkNet N4050e Wireless 802.11g Print Server	14T0145
	MarkNet N4000e Ethernet Print Server	14T0030
	Internal Print Servers	
	MarkNet N8020 Gigabit Ethernet Print Server	14S0200
	MarkNet N8030 Fiber Ethernet Print Server	14S0220
	MarkNet N8050 802.11g Wireless Print Server	14S0165
	Local Connections	
	RS-232C Serial Interface Card	1021092
Parallel 1284-B Interface Card	1021091	
Cables	6-foot USB Cable	1021294
	10-foot Parallel Cable	1021231
Media	Transparencies	70X7240

Terms & Conditions

Lexmark, MarkNet and Lexmark with diamond design are trademarks of Lexmark International, Inc., registered in the United States and/or other countries. PCL is a registered trademark of Hewlett Packard Company. All other trademarks are the property of their respective owners. © 2007 Lexmark International, Inc. All rights reserved.

71K1130