

Lexmark X204n

- PRINT
- COPY
- SCAN
- FAX

- UP TO 24 PPM
- NETWORK



A convenient multifunction partner
for the desktop!



LEXMARK[™]

Print Less. Save More.

Print less? This may seem like a surprising message for a company dedicated solely to printing. But when you consider that businesses spend, on average, up to 6% of their revenue on printing and that active print management can cut office print costs by up to 30%⁽¹⁾, it makes a lot of sense. Lexmark works hard to ensure every product, solution and service we bring you is designed to save you time, drive down costs and reduce your impact on the environment. We are committed to helping you print less and save more.

(1) Source: InfoTrends/CapVentures, Network Document Solutions Forecast 2007-2012, Network Document Solutions Consulting Service, August 2008

If you want professional laser quality and performance right on your desktop, then the Lexmark X204n is just for you. Reliable and easy to use, this ultra-compact multifunction printer offers big advantages without a big price tag. Enjoy sharp text, rapid copying and intuitive scanning tools for your day-to-day document needs. Saving time, money and the environment are a whole lot easier with the Lexmark X204n by your side!



Professional skills at your service

A real model of efficiency, the Lexmark X204n offers the technology you need to work quickly and productively. Scan and copy with ease. Zip through your printouts as fast as 24 ppm. Add a professional touch to your documents with sharp laser-quality text. The Lexmark X204n can make a difference!

- Scan documents and e-mail them from the device to save time, money and shipping costs
- Print professional letters and memos with sharp 1200 x 1200 dpi print quality
- Load up to 250 sheets in the input drawer and use the single-sheet multipurpose feeder to print on various media types
- Send faxes quickly and reliably with the fast fax modem and 30-sheet automatic document feeder
- Print complex documents easily with PCL 6 and PostScript 3 emulations



The perfect desktop companion

There's no need to rush between multiple office machines to get your work done. The Lexmark X204n puts printing, scanning, copying and faxing right at your desktop – all in one sleek, compact design. Moreover, these devices fit virtually anywhere and look great everywhere!

- Ultra-compact design – fits nicely on a desk or shelf
- Modern, stylish look makes this MFP an ideal choice for reception areas and other client-contact environments
- Quiet Mode provides the peace and quiet you need to concentrate on your work
- Eco-Mode reduces power consumption



Pure simplicity at every level

When work is simplified, productivity is enhanced. That's why Lexmark offers a wide range of user-friendly tools to make office tasks easier than ever. Experience exceptional accessibility right out of the box, from hassle-free setup and intuitive operation to straightforward maintenance.

- Connect via USB or Ethernet – these devices are ready for either out of the box
- Includes Lexmark Scan Center software to scan and send documents easily to various destinations, including e-mail
- Enjoy PC-free copying and the convenience of standalone fax
- Install supplies in just seconds, thanks to convenient front-loading access

Lexmark X204n

Explore the features that keep you moving!



Scan to e-mail
Save time and paper by scanning documents directly to e-mail



Copying made easy
Copy easily using the 30-page automatic document feeder or flatbed glass



High-quality text
Enhance your important business documents with true 1200 x 1200 dpi print resolution



Intuitive messaging
The two-line display guides users through printing and maintenance tasks with ease



Connect your way
Connect to your PC via the USB port or spread the benefits to multiple users with built-in network printing



User-friendly operator panel
Clearly marked function and feature buttons are easy to find



Integrated paper drawer
Sleek, integrated design – everything fits nicely into a compact footprint



Easy access
The convenient front-loading design lets you install and replace toner cartridges in just seconds

Print with total confidence!

Your printer's best friend

How do you make sure your Lexmark printer always gives you outstanding results? By using genuine Lexmark supplies! Lexmark printers and supplies are designed to perform together as one system, protecting your investment and delivering excellent print quality from first page to last.

Lexmark X204n cartridges feature a practical design whereby the toner and photoconductor are separate, an ideal approach for small desktop devices. This enables you to replace your toner without having to throw away the photoconductor. Replace only the part that needs changing – it's a better approach for the environment and helps keep your costs low.

When it's time to replace your supplies, don't throw them away – recycle them free of charge through the Lexmark Cartridge Collection Program. Lexmark practices zero landfill for cartridges, reusing or recycling 100 percent of all returns made through our program.

Lexmark's guarantee to you

At Lexmark, we're always working hard to ensure you achieve maximum productivity and minimum downtime. The Lexmark X204n includes our service warranty of 1-Year Exchange** with next business day response.

For even greater peace of mind, you can opt for one of our extended warranty offerings. For more information on any of these offerings, contact your local dealer or visit our Web site today.

** See Lexmark Statement of Limited Warranty for full details on www.lexmark.com.



Get exactly the performance you need



Lexmark X204n

Compact, professional 4-in-1 monochrome laser MFP for the desktop

- Print, copy, scan and high-speed fax
- Up to 24 ppm print speed
- True 1200 x 1200 dpi resolution
- 64MB of RAM standard
- Up to 250-sheet input and single-sheet multipurpose feeder
- 30-sheet automatic document feeder
- Ships with 1,500*-page Lexmark Return Program Toner Cartridge
- Replacement toner cartridge yield: 2,500* pages
- Recommended monthly volume: 250 to 1,100 pages



Lexmark X264dn

Compact 4-in-1 monochrome MFP with duplex printing, great for small workgroups

- Print, copy, scan and high-speed fax
- Up to 30 ppm print speed
- Built-in duplex printing
- First page out as fast as 7.5 seconds
- True 1200 x 1200 dpi resolution
- 64MB of RAM standard
- Up to 250-sheet input and single-sheet priority bypass feed
- 50-sheet automatic document feeder
- Ships with 1,500*-page Lexmark Return Program Toner Cartridge
- Choice of replacement toner cartridge yields: 3,500* or 9,000* pages
- Recommended monthly volume: 250 to 4,500 pages

Lexmark X204n

Printing	
Print Technology	Monochrome Laser
Print Speed (Letter, Black): Up to	24 ppm
Time to First Page (Black)	As fast as 9 seconds
Print Resolution, Black	1200 Image Quality, 1200 x 1200 dpi, 2400 Image Quality, 600 x 600 dpi
Memory, Standard	64 MB
Memory, Maximum	64 MB
Print Noise Level, Operating	50 dBA
Noise Level, Idle	24 dBA
Maximum Monthly Duty Cycle: Up to	10000 pages per month
Recommended Monthly Page Volume	250 - 1100 pages
Supplies	
Supplies Yield (*Average standard page yield value declared in accordance with ISO/IEC 19752.)	2,500*-page Toner Cartridge
Cartridge(s) Shipping with Product	1,500*-page starter Return Program Toner Cartridge
Copying	
Copy Speed (Letter, Black): Up to	24 cpm
ADF Scan	Simplex
Scanning Resolution	600 x 600 dpi (black)
Reduce / Enlarge Range	25 - 400 %
Faxing	
Modem Speed	33.6 Kbps
Paper Handling	
Paper Handling Standard	150-Sheet Output Bin, Single Sheet Exit, Single Sheet Manual Feed, 250-Sheet Input Tray
Paper Input Capacity, Standard: Up to	250+1 pages 20 lb or 75 gsm bond
Paper Input Capacity, Maximum: Up to	250+1 pages 20 lb or 75 gsm bond
Paper Output Capacity, Standard: Up to	150 pages 20 lb or 75 gsm bond
Paper Output Capacity, Maximum: Up to	150 pages 20 lb or 75 gsm bond
ADF Paper Input Capacity: Up to	30 pages 20 lb or 75 gsm bond
Media Types Supported	Card Stock, Envelopes, Paper Labels, Plain Paper, Transparencies, Refer to the Card Stock & Label Guide
Media Sizes Supported	10 Envelope, 7 3/4 Envelope, 9 Envelope, A4, A5, B5 Envelope, C5 Envelope, DL Envelope, Executive, Folio, JIS-B5, Legal, Letter, Statement, Oficio
Compatibility	
Network Protocol Support	TCP/IP IPv4, TCP/IP IPv6, TCP, UDP
Printer Languages (Standard)	PCL 5e Emulation, PCL 6 Emulation, PostScript 3 Emulation
Standard Ports	Ethernet 10/100BaseTX (RJ-45), USB 2.0 Specification Hi-Speed Certified (Type B)
Microsoft Windows Operating Systems Supported	2000, XP, Server 2003, XP x64, Server 2003 running Terminal Services, 2000 Server running Terminal Services, Server 2003 x64, Server 2003 x64 running Terminal Services, Vista, Vista x64, Server 2008, Server 2008 x64, Server 2008 running Terminal Services, Server 2008 x64 running Terminal Services
Apple Macintosh Operating Systems Supported	Mac OS X (10.2 or later), Mac OS 9.x
General	
Function	Copying, Faxing, Network Scanning, Printing
Product Warranty	1-Year Exchange, Next Business Day
Product Certifications	See www.lexmark.com
Size (in. - H x W x D)	15.1 x 15.8 x 14.0 in.
Weight (lb.)	32.2 lb.
Specified Operating Environment	Temperature: 16 to 32°C (60 to 90°F), Humidity: 8 to 80% Relative Humidity, Altitude: 0 - 3048 Meters (10,000 Feet)

Maximum Monthly Duty Cycle

«Maximum Monthly Duty Cycle» is defined as the maximum number of pages a device could deliver in a month. This metric provides a comparison of robustness in relation to other Lexmark printers and MFPS.

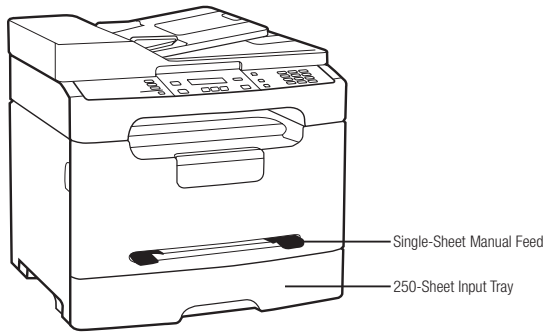
Recommended Monthly Page Volume

«Recommended Monthly Page Volume» is a range of pages that helps customers evaluate Lexmark's product offerings based on the average number of pages customers plan to print on the device each month. Lexmark recommends that the number of pages per month be within the stated range for optimum device performance, based on factors including: supplies replacement intervals, paper loading intervals, speed, and typical customer usage.

Trademarks

Lexmark and Lexmark with the diamond design are trademarks of Lexmark International, Inc., registered in the United States and/or other countries. All other trademarks are the property of their respective owners. PCL is a registered trademark of Hewlett-Packard Company. AppleTalk, Mac and Macintosh are trademarks of Apple Computer, Inc., registered in the United States and other countries. MarkNet and MarkVision are trademarks of Lexmark International, Inc., registered in the United States and/or other countries. The USB-IF logos are trademarks of Universal Serial Bus Implementers Forum, Inc. ENERGY STAR® is a U.S. registered mark. Microsoft, Windows, the Windows logo, Windows Vista, and the Windows Vista logo are trademarks or registered trademarks of Microsoft Corporation in the United States and/or other countries. Citrix, MetaFrame and MetaFrame XP are registered trademarks or trademarks of Citrix Systems, Inc. in the U.S. and other countries. Information in this document is subject to change without notice.

Lexmark X204n



Part #	Model
52G0027	Lexmark X204n
Part #	Laser Toner/Print Cartridge
X203A11G	X204 Return Program Toner Cartridge
X203A21G	X204 Toner Cartridge
X203H22G	X204 Photoconductor Kit
Part #	Paper & Transparencies
70X7240	Laser Printer Transparencies (Letter)
Part #	Connectivity
1021294	USB Cable (2-meter)
14T0145	Lexmark N4050e 802.11g Wireless Print Server
14T0220	MarkNet™ N7020e Gigabit Ethernet Print Server
14T0230	MarkNet™ N7000e Fast Ethernet Print Server - USB
14T0030	Lexmark N4000e for Ethernet 10/100BaseT
Part #	Extended Warranties
2351456	2-Years Total Exchange Service, Next Business Day
2351457	3-Years Total Exchange Service, Next Business Day
2351458	4-Years Total Exchange Service, Next Business Day
2351460	1-Year Exchange Service Renewal, Next Business Day
2351465	Upgrade to Onsite Service, Next Business Day
2351466	2-Years Total Onsite Service, Next Business Day
2351467	3-Years Total Onsite Service, Next Business Day
2351468	4-Years Total Onsite Service, Next Business Day
2351470	1-Year Onsite Service Renewal, Next Business Day

In the box
 Lexmark X204n monochrome multifunction laser printer, up to 1,500*-page* starter Return Program Toner Cartridge, Photoconductor Kit, Software and Documentation CD, setup guide, power cord, RJ-11 phone cable or adapter (country dependent), Statement of Limited Warranty, operator panel language overlay, safety sheet or booklet, Lexmark Cartridge Collection Program information

Lexmark's guarantee to you
 At Lexmark, we're always working hard to ensure you achieve maximum productivity and minimum downtime. For greater peace of mind, you can opt for one of our Lexmark service offerings detailed on www.lexmark.com/services.



Environmental commitment
 Lexmark believes that the environment is a critical component of responsible business management and clearly demonstrates it by implementing the "4R" strategy: Reduce, Recover, Reuse and Recycle. To learn more about these programs please visit www.lexmark.com/recycle.

Cost-saving and environmental features

- Energy Star compliant
- Eco-Mode reduces power consumption and Quiet Mode reduces noise
- The cartridge design enables you to replace your toner without having to throw away the photoconductor
- Lexmark Cartridge Collection Program helps reduce waste

