





# MITEL NETWORKS 3100 INTEGRATED COMMUNICATIONS PLATFORM (ICP) CONTROLLER INSTALLATION INSTRUCTIONS

## Package Contents

Your Mitel Networks 3100 ICP Controller package contains the following items:

- Mitel Networks 3100 ICP Controller Unit;
- Documentation Pack;
- Quick Reference Cards;
- Rack Mounting/Wall Mounting Kit (2 wall brackets, 2 rack brackets, 4 screws (M4), 2 screws (#10), 4 cage nuts, 4 screws (M5), 2 wall plugs);
- Power Cable.

## Tools Required

- Screwdriver (No.1, 2); 
- Nut Driver (5.5mm (7/32 inches) A/F). 

## Safety Information

**WARNING: REFER TO THE IMPORTANT SAFETY INFORMATION SHEET PROVIDED, BEFORE PROCEEDING.**

## Environmental Restrictions

### Operating Range

Temperature	+ 0°C/+32°F min	+40°C/+104°F max
Humidity	10-85% relative humidity	1.5-25 gm <sup>-3</sup> ABS
Air Pressure	70 k pa min	106 k pa max

### Storage and Transport Range

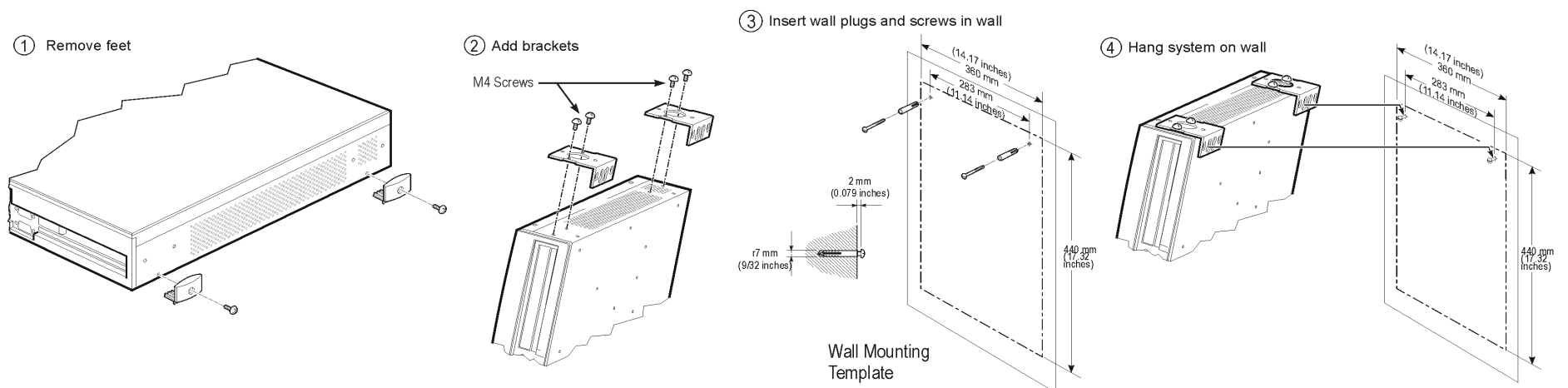
Temperature	-20°C/ -4°F min	+50°C/+122°F max
Humidity	5-95 % relative humidity	0.5-30 gm <sup>-3</sup> ABS
Air Pressure	70 k pa min	106 k pa max

**Note:** Are you going to be installing the Expansion? If yes, it is recommended that the Expansion is installed before proceeding with the installation of the Controller.

## Wall Mounting

**CAUTION:** The box must be hung on the wall in a way that the cables are situated either to the left or right hand side.

**Note:** When mounting the unit on a wall, use the wall brackets, screws (#10) and wall plugs provided. You must ensure that the screws in the wall are not fully tightened (leave at least 2mm (0.079 inches) between the wall and the screw head), so that the unit may be easily removed (without the use of a tool) for servicing. Make sure the wall material is capable of supporting the weight of the unit. Mitel Networks is not responsible for units damaged as a result of improper wall mounting.

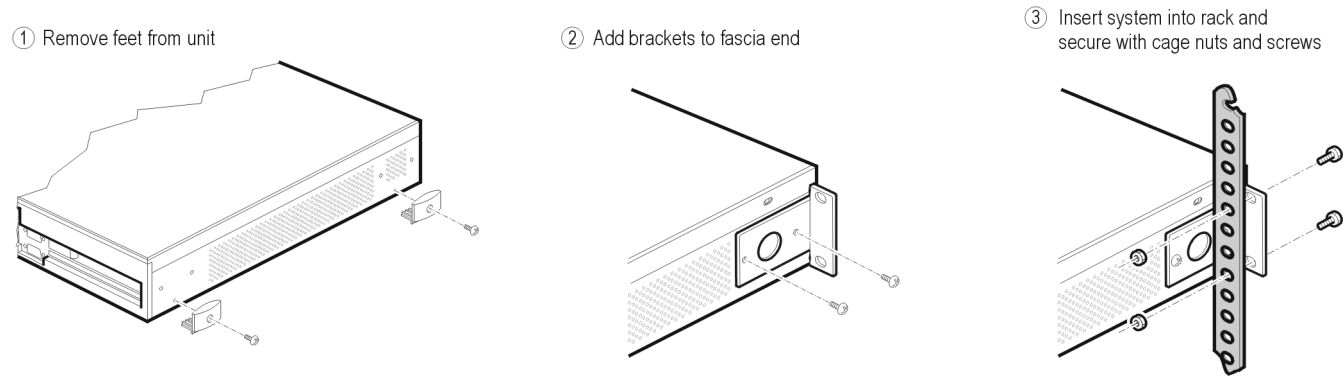


Rack Mounting 19" (480mm)

**CAUTION:** When installing the system in an enclosed rack, you **MUST** provide adequate ventilation to ensure that the maximum ambient temperature inside the rack does not exceed 40<sup>0</sup>C/104<sup>0</sup>F.

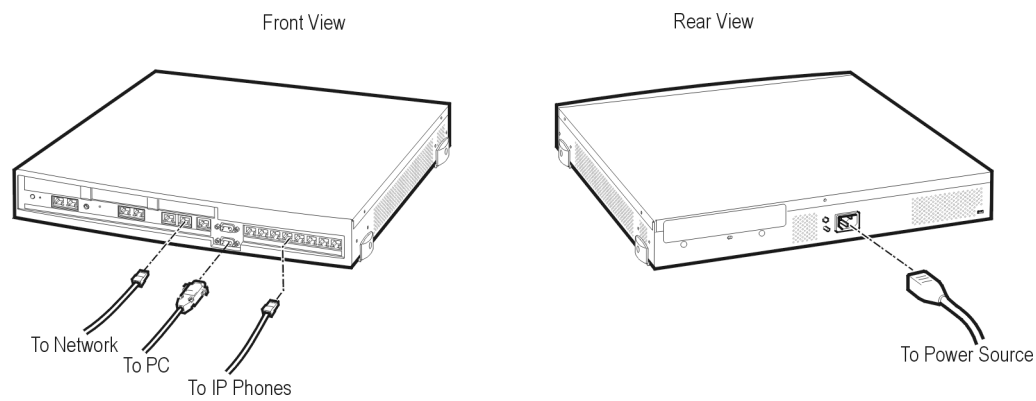
**CAUTION:** When mounting the system in a rack, you should ensure that a hazardous condition is not achieved due to any uneven mechanical loading.

**CAUTION:** When using the system in a rack, you should consider the connection of the equipment to the supply circuit and the effect that overloading of circuits might have on overcurrent protection and supply wiring. When addressing this concern, refer to the system's ratings label.



Installing Cables

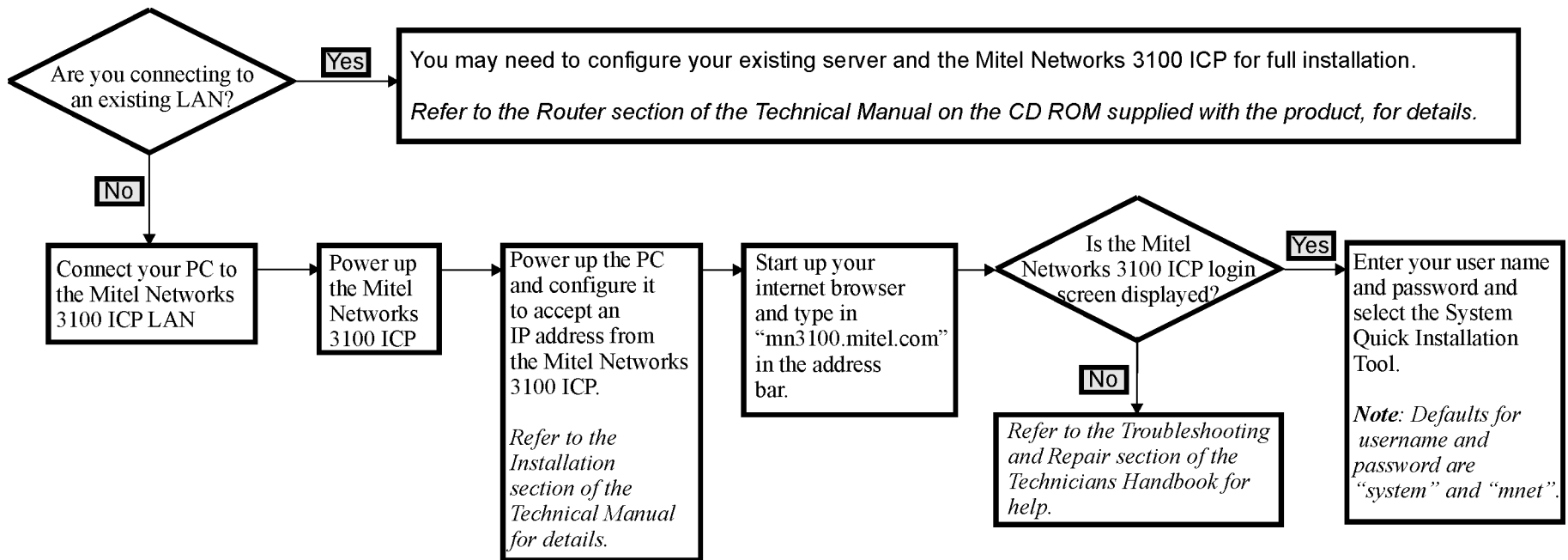
**WARNING:** DO NOT SWITCH THE POWER ON UNTIL YOU HAVE FOLLOWED THE STEPS IN THE INSTALLATION FLOWCHART BELOW. DO NOT PLUG TELEPHONES IN UNTIL THE SYSTEM QUICK INSTALLATION HAS BEEN COMPLETED.



**Note:** If installing the Expansion at the same time as the Controller, make sure you install it before running the System Quick Installation Tool.

System Quick Installation Tool

It is recommended that you refer to the Pre-configuration Questionnaire before proceeding with the installation. To continue follow the steps in the flowchart below:



**Note:** On power up, the LED lights red. Once diagnostics are running the LED changes to amber. When diagnostics are complete and system is booting, the LED flashes green. Once this is complete, the LED lights solid green. If the LED remains red then refer to the Troubleshooting and Repair section of the Technicians Handbook.

Technical Assistance

Please contact your local Mitel Networks dealer if you require technical assistance. Before you call, refer to the Troubleshooting and Repair section of the Technicians Handbook supplied with the product. If you are unable to find a solution, please have the following information ready when you call:

- The product serial number (this can be found on the back of the unit);
- The nature of the problem;
- Troubleshooting results.