


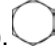
MITEL NETWORKS 3100 INTEGRATED COMMUNICATIONS PLATFORM (ICP) EXPANSION INSTALLATION INSTRUCTIONS

Package Contents

Your Mitel Networks 3100 ICP Expansion package contains the following items:

- Mitel Networks 3100 ICP Expansion Unit;
- Documentation Pack;
- Quick Reference Cards;
- Expansion Uplink Kit (uplink card, 2 pillars, 3 screws (M3), uplink plate);
- Rack Mounting/Wall Mounting Kit (2 wall brackets, 2 rack brackets, 4 screws (M4), 4 stacking feet, 4 screws (M3.5), 2 screws (#10), 4 cage nuts, 4 screws (M5), 2 wall plugs);
- Expansion cable;
- Y Power Cord.

Tools Required

- Screwdriver (No.1, 2); 
- Nut Driver (5.5mm (7/32 inches) A/F). 

Safety Information

WARNING: REFER TO THE IMPORTANT SAFETY INFORMATION SHEET PROVIDED, BEFORE PROCEEDING.

Environmental Restrictions

Operating Range

Temperature	+ 0°C/+32°F min	+40°C/+104°F max
Humidity	10-85% relative humidity	1.5-25 gm ⁻³ ABS
Air Pressure	70 k pa min	106 k pa max

Storage and Transport Range

Temperature	-20°C/-4°F min	+50°C/+122°F max
Humidity	5-95 % relative humidity	0.5-30 gm ⁻³ ABS
Air Pressure	70 k pa min	106 k pa max

CAUTION: The Uplink card MUST be fitted in the Controller before proceeding with the installation of the Expansion.

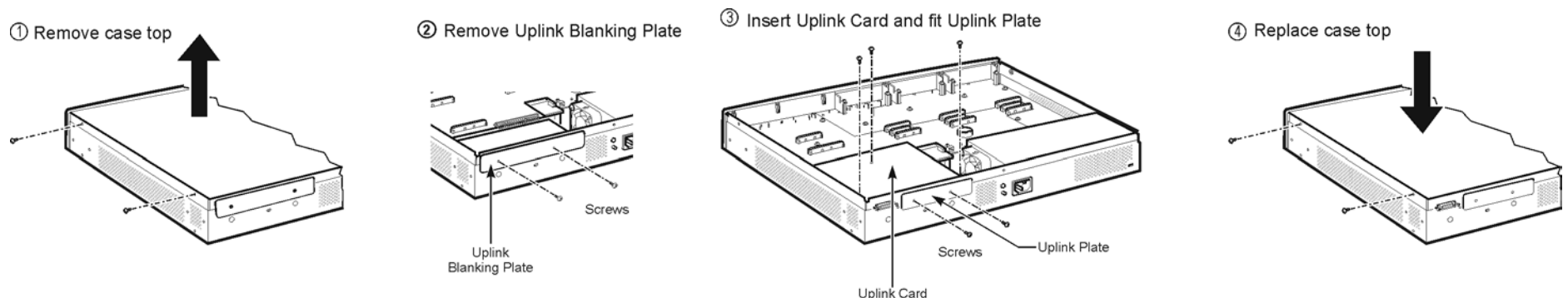
Installing Uplink Card

WARNING: BEFORE COMMENCING THIS INSTALLATION, DISCONNECT THE POWER AND ALL CONNECTIONS TO THE PUBLIC TELECOMMUNICATIONS NETWORK. FAILURE TO DO THIS COULD LEAD TO A POTENTIALLY HAZARDOUS SITUATION WHICH COULD RESULT IN DEATH OR SERIOUS INJURY.

WARNING: BEFORE ATTEMPTING THIS SERVICE OPERATION, THE PERSON PERFORMING THE INSTALLATION SHOULD ENSURE THAT THEY ARE SUITABLY QUALIFIED, FULLY AWARE OF THE SAFETY REQUIREMENTS CONTAINED IN THE TECHNICAL MANUAL AND THAT THEY FULLY UNDERSTAND THEIR FULL IMPLICATIONS.

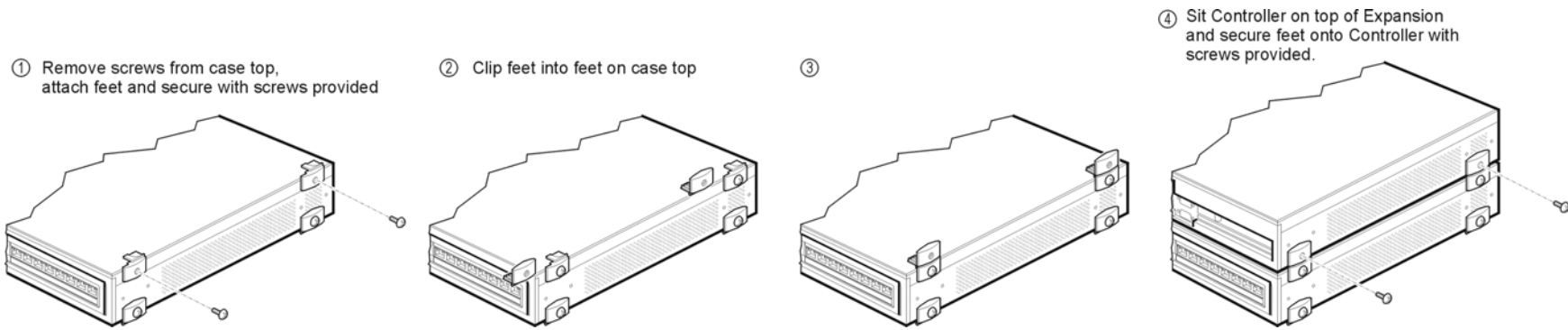
WARNING: THE INSTALLER OF THE OPTION MODULE(S) IS ASSUMED TO HAVE A BASIC UNDERSTANDING OF THE OPERATION OF THE SYSTEM. IF IN DOUBT SEEK ADVICE FROM A QUALIFIED PERSON.

CAUTION: When removing case top please lift from front edge to avoid damaging the facia.



Desk Mounting

Note: The Controller should be installed on top of the Expansion to allow for easy maintenance access.

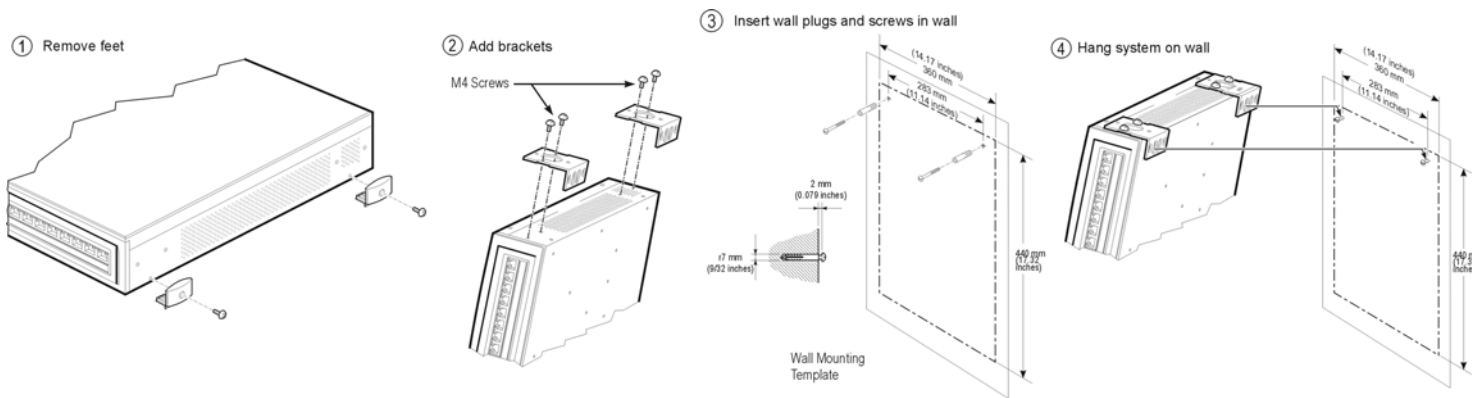


Wall Mounting

CAUTION: The box must be hung on the wall in a way that the cables are situated either to the left or right hand side.

Note: The Expansion can be hung on the wall either to the side of the Controller or attached to the Controller. However, if you wall mount the Expansion to the side of the Controller remember that the expansion cable is only 0.5m (20 inches) long. If attaching the Expansion to the Controller follow the instructions for Desk Mounting.

Note: When mounting the unit on a wall, use the wall brackets, screws (#10) and wall plugs provided. You must ensure that the screws in the wall are not fully tightened (leave at least 2mm (0.079 inches) between the wall and the screw head), so that the unit may be easily removed (without the use of a tool) for servicing. Make sure the wall material is capable of supporting the weight of the unit. Mitel Networks is not responsible for units damaged as a result of improper wall mounting.

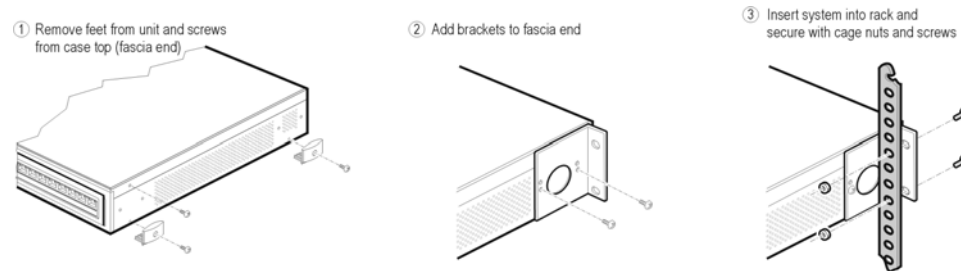


Rack Mounting 19" (480mm)

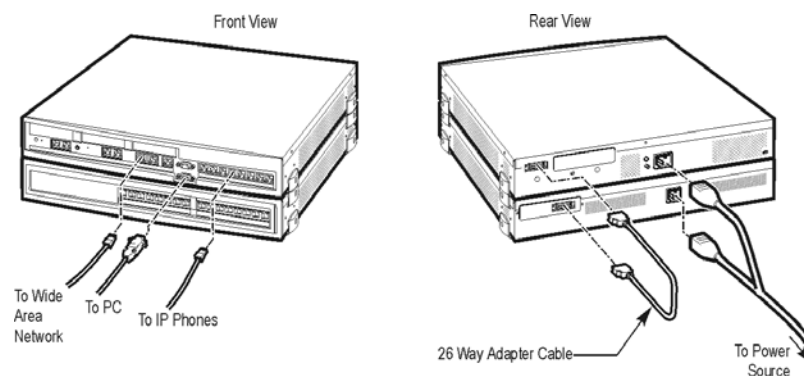
CAUTION: When installing the system in an enclosed rack, you **MUST** provide adequate ventilation to ensure that the maximum ambient temperature inside the rack does not exceed 40°C/104°F.

CAUTION: When mounting the system in a rack, you should ensure that a hazardous condition is not achieved due to any uneven mechanical loading.

CAUTION: When using the system in a rack, you should consider the connection of the equipment to the supply circuit and the effect that overloading of circuits might have on overcurrent protection and supply wiring. When addressing this concern, refer to the system's ratings label.



Installing Cables



Technical Assistance

Please contact your local Mitel Networks dealer if you require technical assistance. Before you call, refer to the Troubleshooting and Repair section of the Technicians Handbook supplied with the product. If you are unable to find a solution, please have the following information ready when you call:

- The product serial number (this can be found on the back of the unit);
- The nature of the problem;
- Troubleshooting results.