

NEC

**NDA-24313
ISSUE 1
STOCK # 200817**

NEAX[®] 2400 IPX

Wireless Features and Specifications

OCTOBER, 2000

NEC America, Inc.

LIABILITY DISCLAIMER

NEC America, Inc. reserves the right to change the specifications, functions, or features, at any time, without notice.

NEC America, Inc. has prepared this document for use by its employees and customers. The information contained herein is the property of NEC America, Inc. and shall not be reproduced without prior written approval from NEC America, Inc.

NEAX[®] and D^{term}[®] are registered trademarks of NEC Corporation.

2000
NEC America, Inc.
Printed in the U.S.A

PAGE No.	ISSUE No.								PAGE No.	ISSUE No.							
	1	2	3	4	5	6	7	8		1	2	3	4	5	6	7	8
i	1								37	1							
ii	1								38	1							
1	1								39	1							
2	1								40	1							
3	1								41	1							
4	1								42	1							
5	1								43	1							
6	1								44	1							
7	1								45	1							
8	1								46	1							
9	1								47	1							
10	1								48	1							
11	1								49	1							
12	1								50	1							
13	1								51	1							
14	1								52	1							
15	1								53	1							
16	1								54	1							
17	1								55	1							
18	1								56	1							
19	1								57	1							
20	1								58	1							
21	1								59	1							
22	1								60	1							
23	1								61	1							
24	1								62	1							
25	1								63	1							
26	1								64	1							
27	1								65	1							
28	1								66	1							
29	1								67	1							
30	1								68	1							
31	1								69	1							
32	1								70	1							
33	1								71	1							
34	1								72	1							
35	1								73	1							
36	1								74	1							
ISSUE 1				ISSUE 2				ISSUE 3				ISSUE 4					
DATE	OCTOBER, 2000			DATE				DATE				DATE					
ISSUE 5				ISSUE 6				ISSUE 7				ISSUE 8					
DATE				DATE				DATE				DATE					
NEAX2400 IPX																	
Wireless Features and Specifications																	
														Revision Sheet 1/1			
														NDA-24313			

NEAX2400 IPX
Wireless Features and Specifications
Feature List

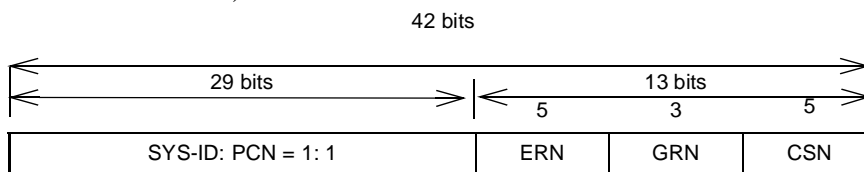
	Page
Wireless Specification in NEAX2400 IPX	1
Wireless Features	3
General Service Features	5
R-50 Radio Channel Changeover	27
S-130 Speech Scrambling	28
O-38 Out Of Cell Indication	29
A-131 Automatic Release - Out Of Cell Calls	30
P-61 PS Authentication	31
P-62 PS Location Registration	32
O-39 Overlap Dialing	33
P-63 Preset Dialing	34
I-39 Individual PS Calling	35
H-23 Handover	36
D-154 DTMF Signal Sender	37
C-156 Consultation Hold	38
F-34 Flexible PS Numbering	39
P-64 PS Service Class	40
P-65 PS Restriction Class	40
P-66 PS-to-Station Calling	41
S-131 Stack Dialing - Station	42
S-132 Speed Calling - Station	43
A-128 Automatic Announcement - Disconnected PS Out Of Zone	44
A-129 Automatic Announcement - Called PS Out of Zone	45
C-155 Call Forwarding PS Incoming Call Incomplete	45
D-155 D ^{term} PSII Two Line Operation	47
N-43 Name Display - Intra-Node Call	48
N-44 Name Display - Intra-Node Call - CCIS	49
N-45 Number Sharing	50
V-24 Voice Mail Indication (VMI)	52
W-8 Wireless Analog Adjunct Connection	53
I-41 ISDN Roaming	55
C-161 Call Forwarding - Dropped Calls	57
I-40 ISDN Data Communications - 32 kbps	60
A-137 Authorization Code - D ^{term} PSII	63
C-166 Call Park - D ^{term} PSII	64
G-23 Group Call - Automatic Conference (20-Party)	66
S-134 Short Text Messaging Service (STM Service)	68
Movement of PS in NEAX2400 IPX	71

This page is for your notes.

Wireless Specification in NEAX2400 IPX

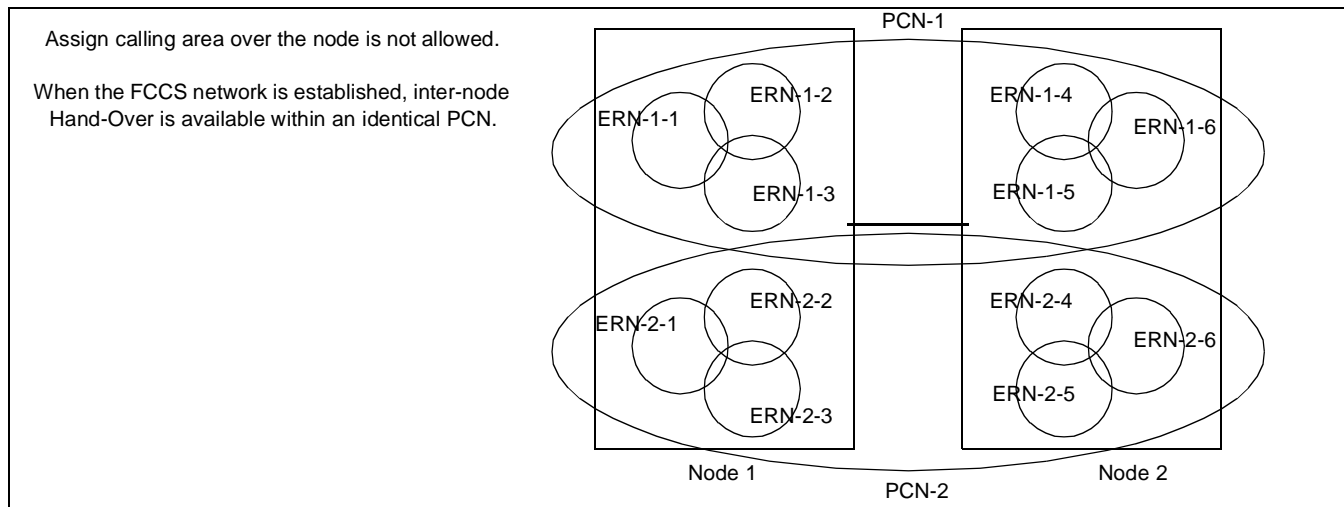
Acronym	Name	Range	Conditions	Remarks
PCN	Wireless Community Number	1 - 1024/ FCCS network	Can be assigned over the node.	
ERN	Calling Area Number	1 - 32/PCN (defined by the Wireless System standard)	Cannot be assigned over the node.	Maximum 32 nodes can be covered in the identical PCN, even if one ERN is assigned in a node.
GRN	Group Number	1 - 8/ERN (defined by the Wireless System standard)		
CSN	ZT Number	1 - 32/GRN (defined by the Wireless System standard)		
PS	Maximum number of PSs	4000 PSs/node In FCCS network, there is no limitation within the limit of maximum FCCS ports and the capability of NDM.	The value is the total number of the actual PSs and the temporary numbers for Visitors, and it is possible to use both as actual or temporary.	D ^{term} PSII Two Line Operation service uses 2 PS resources.
ZT	Maximum number of ZTs	4 ZTs/CS-INT 12 CS-INTs/PIM Maximum 768 ZTs/ 4-IMG system		The number of CS-INTs in a PIM is 12 with power supply.
	Number of B-channels	3 voice channels of 32 Kbps/ZT		

- ZT-ID (SYS-ID and Additional ID)



Wireless Specification in NEAX2400 IPX

The following figure shows zone setting.



Service Conditions

Below are some of the conditions for the use of the Built-in Wireless system (IPX).

1. Wireless system is not available in the Hotel system. (Will be available in the future.)
2. ACD/OAI services are not available with the Wireless system.
3. Series 7200 or later software is necessary for Wireless system operation.
4. SMDR equipment can be used for billing.
5. The following billing services are available in the Wireless system:
 - SMDR for outgoing C.O. line
 - SMDR for incoming C.O. line
 - SMDR for outgoing Tie line
 - SMDR for incoming Tie line
 - SMDR for incoming DID
 - SMDR for DIT
 - SMDR for IC via ATT-CON
6. PS is not connected to the data terminal equipment. (Will be available in the future.)
7. Service Conditions for CCIS features are as follows:
 - a.) When a call is originated from or terminated to a PS via CCIS, the calling number sent to the called station varies depending on the numbering plan as shown below.
 - closed numbering network: telephone number (PS number)
 - open numbering network: office code + telephone number (PS number)
 - b.) When a PS user has a call placed on hold, link re-connection is not performed.

Wireless Features

	FEATURE NAME	REMARKS
	Dynamic Radio Channel Control	
R-50*	Radio Channel Changeover	
S-130*	Speech Scrambling	
	Service Area Assignment	
O-38*	Out of Cell Indication	
A-131*	Automatic Release-Out of Cell Calls	
P-61*	PS Authentication	
P-62*	PS Location Registration	
O-39*	Overlap Dialing	
P-63*	Preset Dialing	
I-39*	Individual PS Calling	
H-23*	Handover	
D-154*	DTMF Signal Sender	
C-156*	Consultation Hold	
F-34*	Flexible PS Numbering	
P-64*	PS Service Class	
P-65*	PS Restriction Class	
	Radio Paging Channel Distribution	
P-66*	PS-to-Station Calling	
S-131*	Stack Dialing - Station	
S-132*	Speed Calling - Station	
	Volume Control	
	Battery Display	
	Receive RF Power Display	
	Any Key Answer	Not available for D ^{term} PSII
	Automatic Answer	
	Key Lock	

Wireless Features

	FEATURE NAME	REMARKS
	Peg Counts (per four transceivers): Number of call originations attempted Number of call originations completed Number of call terminations attempted Number of call terminations completed Traffic-ch Fault Report Number of Out of Cell Release Calls Radio Channel Changeover Handover Count	
A-128*	Automatic Announcement - Disconnected PS Out of Zone	
A-129*	Automatic Announcement - Called PS Out of Zone	
C-155*	Call Forwarding PS Incoming Call Incomplete	The C.O. Incoming calls are subject to charging.
D-155*	D ^{term} PSII Two Line Operation	
N-43*	Name Display - Intra-node Call	
N-44*	Name Display - Intra-node Call - CCIS	
N-45*	Number Sharing	
V-24*	Voice Mail Indication (VMI)	
W-8*	Wireless Analog Adjunct Connection	
I-41*	ISDN Roaming	
C-161*	Call Forwarding - Dropped Calls	
I-40*	ISDN Data Communications - 32 kbps	
A-137*	Authorization Code - D ^{term} PSII	
C-166*	Call Park - D ^{term} PSII	
G-23*	Group Call - Automatic Conference (20-Party)	
S-134*	Short Text Messaging Service (STM Service)	

General Service Features

Index	Feature Name	Series 7300				Series 7400			
		Stand Alone		FCCS		Stand Alone		FCCS	
		Fm	To	Fm	To	Fm	To	Fm	To
A-18	Account Code	—	—	—	—	—	—	—	—
A-52	Account Code - Attendant	—	—	—	—	—	—	—	—
A-77	Accunet Access	—	—	—	—	—	—	—	—
A-121	Add on Conference - 8 Party	—	—	—	—	—	—	—	—
A-136	Advice of Charge - Receipt and Display of AOC from a Foreign Q-SIG Network					—	—	—	—
A-53	All Zone Paging	—	—	—	—	—	—	—	—
A-16	Alternate Routing	—	—	—	—	—	—	—	—
A-76	Alternate Routing - PRI	X	—	—	—	→	—	—	—
A-125	Analog CALLER ID (Class SM)	—	—	—	—	—	—	—	—
A-127	Analog CALLER ID - Station	—	—	—	—	—	—	—	—
A-126	ANI - CCIS (16 digit)	—	—	—	—	—	—	—	—
A-15	Announcement Service	X	—	—	—	→	—	—	—
A-59	Announcement Service - Attendant	—	—	—	—	—	—	—	—
A-92	Announcement Service - PRI	—	—	—	—	—	—	—	—
A-98	Answer Hold - Attendant	—	—	—	—	—	—	—	—
A-24	Asynchronous Data Switching	—	—	—	—	—	—	—	—
A-44	Asynchronous Data Switching - CCIS	—	—	—	—	—	—	—	—
A-1	Attendant Camp-On with Tone Indication	—	—	—	—	—	—	—	—
A-45	Attendant Camp-On with Tone Indication - CCIS	—	—	—	—	—	—	—	—
A-3	Attendant Console	—	X	—	X	—	→	—	→
A-2	Attendant-Controlled Conference	—	X	—	X	—	→	—	→
A-46	Attendant-Controlled Conference - CCIS	—	X	—	X	—	→	—	→
A-4	Attendant Key Pad	—	—	—	—	—	—	—	—
A-5	Attendant Lockout	—	—	—	—	—	—	—	—
A-6	Attendant Loop Release	—	—	—	—	—	—	—	—
A-19	Attendant Night Transfer	X	—	—	—	→	—	—	—
A-105	Attendant Overflow	—	—	—	—	—	—	—	—
A-7	Attendant Override	—	—	—	—	—	—	—	—
A-38	Attendant-Switched Data Calls	—	—	—	—	—	—	—	—
Fm: When the call is originated from PS		To: When the call terminates to PS							
X: Available		—: Not available							
X*: Available with limitations									

General Service Features

Index	Feature Name	Series 7300				Series 7400			
		Stand Alone		FCCS		Stand Alone		FCCS	
		Fm	To	Fm	To	Fm	To	Fm	To
A-60	Attendant-to-Attendant Calling	—	—	—	—	—	—	—	—
A-17	Audible Indication Control	—	—	—	—	—	—	—	—
A-20	Authorization Code	—	—	—	—	—	—	—	—
A-99	Authorization Code Display Elimination	—	—	—	—	—	—	—	—
A-29	Authorization Code - Tie Line Incoming	—	—	—	—	—	—	—	—
A-82	Automated Attendant	—	X Note 1	—	X Note 1	—	→ Note 1	—	→ Note 1
A-88	Automatic Call Distribution - PRI	—	—	—	—	—	—	—	—
A-55	Automatic Change of Night Service	—	—	—	—	—	—	—	—
A-94	Automatic Circuit Assurance - PRI	X	—	—	—	→	—	—	—
A-41	Automatic Disconnection of Data Calls	—	—	—	—	—	—	—	—
A-69	Automatic Idle Return	—	—	—	—	—	—	—	—
A-30	Automatic/Manual Intercom	—	—	—	—	—	—	—	—
A-42	Automatic Modem Pool Selection	—	—	—	—	—	—	—	—
A-78	Automatic Number Identification (ANI)	—	—	—	—	—	—	—	—
A-87	Automatic Number Identification (ANI) - CCIS	—	—	—	—	—	—	—	—
A-8	Automatic Recall	—	X*	—	X*	—	→*	—	→*
A-71	Automatic Recall - CCIS	—	X*	—	X*	—	→*	—	→*
A-8D	Automatic Recall - D ^{term}	—	—	—	—	—	—	—	—
A-21	Automatic Trunk Test	—	—	—	—	—	—	—	—
A-96	Automatic Trunk Test - PRI	—	—	—	—	—	—	—	—
B-17	Blind Transfer to Attendant	X	—	X	—	→	—	→	—
B-18	Blind Transfer to Station	X	—	X	—	→	—	→	—
B-13	Blocking of Trunk Usage	—	—	—	—	—	—	—	—
B-8	Boss-Secretary Message Waiting Lamp Control	—	—	—	—	—	—	—	—
B-5D	Boss-Secretary Override - D ^{term}	—	—	—	—	—	—	—	—
B-22	Boss-Secretary Override - PRI	—	—	—	—	—	—	—	—
B-11	Boss-Secretary Transfer	—	—	—	—	—	—	—	—
B-19	Boss-Secretary Transfer - PRI	—	—	—	—	—	—	—	—
B-6	Brokerage Hot Line	—	—	—	—	—	—	—	—
Fm: When the call is originated from PS		To: When the call terminates to PS							
X: Available		—: Not available							
X*: Available with limitations									

General Service Features

Index	Feature Name	Series 7300				Series 7400			
		Stand Alone		FCCS		Stand Alone		FCCS	
		Fm	To	Fm	To	Fm	To	Fm	To
B-10	Brokerage Hot Line - CCIS	—	X	—	—	—	→	—	—
B-12	Brokerage Hot Line - Outside	—	—	—	—	—	—	—	—
B-25	Brokerage Hot Line - Outside - PRI	—	—	—	—	—	—	—	—
B-2	Busy Lamp Field - Flexible	X	X	—	—	→	→	—	—
B-3	Busy Verification	—	—	—	—	—	—	—	—
B-9	Busy Verification - CCIS	—	—	—	—	—	—	—	—
C-1	Call Back	—	—	—	—	—	—	—	—
C-44	Call Back - CCIS	—	—	—	—	—	—	—	—
C-73	Call Back - Delayed	—	—	—	—	—	—	—	—
C-1D	Call Back - D ^{term}	—	—	—	—	—	—	—	—
C-150	Call Block	—	—	—	—	—	—	—	—
C-106	Call-by-Call Pool Management	—	—	—	—	—	—	—	—
C-105	Call-by-Call Service Selection	—	—	—	—	—	—	—	—
C-152	Call Completion on No Reply (CCNR)	—	—	—	—	—	—	—	—
C-149	Call Completion to Busy Subscriber	—	—	—	—	—	—	—	—
C-5	Call Forwarding - All Calls	X	X	X Note 14	X	→	→	→ Note 14	→
C-69	Call Forwarding - All Calls - Announcement	X	—	X	—	→	—	→	—
C-123	Call Forwarding - All Calls - Announcement - PRI	—	—	—	—	—	—	—	—
C-45	Call Forwarding - All Calls - CCIS	X	X	X	X	→	→	→	→
C-5D	Call Forwarding - All Calls - D ^{term}	—	—	—	—	—	—	—	—
C-95D	Call Forwarding - All Calls - D ^{term} - PRI	—	—	—	—	—	—	—	—
C-28	Call Forwarding - All Calls - Outside	X	X	X	X	→	→	→	→
C-95	Call Forwarding - All Calls - PRI	X	X	X	X	→	→	→	→
C-94	Call Forwarding - Assignment - Attendant - CCIS	—	—	—	—	—	—	—	—
C-2	Call Forwarding - Busy Line	X	X	X Note 14	X	→	→	→ Note 14	→
C-46	Call Forwarding - Busy Line - CCIS	X	X	X	X	→	→	→	→
C-2D	Call Forwarding - Busy Line - D ^{term}	—	—	—	—	—	—	—	—
C-60	Call Forwarding - Busy Line - Outside	X	X	X	X	→	→	→	→
C-96	Call Forwarding - Busy Line - PRI	X	X	X	X	→	→	→	→
Fm: When the call is originated from PS		To: When the call terminates to PS							
X: Available		—: Not available							
X*: Available with limitations									

General Service Features

Index	Feature Name	Series 7300				Series 7400			
		Stand Alone		FCCS		Stand Alone		FCCS	
		Fm	To	Fm	To	Fm	To	Fm	To
C-3	Call Forwarding - Don't Answer	X	X	X Note 14	X	→	→	→ Note 14	→
C-47	Call Forwarding - Don't Answer - CCIS	X	X	X	X	→	→	→	→
C-3D	Call Forwarding - Don't Answer - D ^{term}	—	—	—	—	—	—	—	—
C-74	Call Forwarding - Don't Answer - Outside	X Note 2	X Note 2	X Note 2	X Note 2	→ Note 2	→ Note 2	→ Note 2	→ Note 2
C-129	Call Forwarding - Don't Answer - PRI	X	X	X	X	→	→	→	→
C-133	Call Forwarding - Don't Answer to UCD Queue	X	X	X	X	→	→	→	→
C-48	Call Forwarding - Intercept - CCIS	—	—	—	—	—	—	—	—
C-125	Call Forwarding - Intercept - PRI	—	—	—	—	—	—	—	—
C-81	Call Forwarding - I'm Here	—	—	—	—	X	X	X	X
C-25	Call Forwarding - Intercept/ Announcement	X	—	—	—	→	—	—	—
C-75	Call Forwarding - Intercept/ Announcement - Attendant	—	—	—	—	—	—	—	—
C-101	Call Forwarding - Intercept/ Announcement - PRI	—	—	—	—	—	—	—	—
C-26	Call Forwarding - Override	—	—	—	—	—	—	—	—
C-49	Call Forwarding - Override - CCIS	—	—	—	—	—	—	—	—
C-158	Call Forwarding Supplementary Service (SS-CF) with Rerouting	—	—	—	—	—	—	—	—
C-6	Call Hold	—	—	—	—	—	—	—	—
C-146	Call Hold Conference	—	—	—	—	—	—	—	—
C-6D	Call Hold - D ^{term}	—	—	—	—	—	—	—	—
C-154	Call Hold Pick Up	—	—	—	—	—	—	—	—
C-43	Call Metering	—	—	—	—	—	—	—	—
C-29	Call Park	—	—	—	—	—	—	—	—
C-119	Call Park - PRI	—	—	—	—	—	—	—	—
C-30	Call Pickup - Direct	X	—	X	—	→	—	→	—
C-102	Call Pickup - Direct - PRI	X	—	X	—	→	—	→	—
C-7	Call Pickup - Group	X	X	X Note 15	X Note 15	→	→	→ Note 15	→ Note 15
C-7D	Call Pickup - Group - D ^{term}	—	—	—	—	—	—	—	—
C-97D	Call Pickup - Group - D ^{term} - PRI	—	—	—	—	—	—	—	—

Fm: When the call is originated from PS To: When the call terminates to PS
 X: Available —: Not available
 X*: Available with limitations

General Service Features

Index	Feature Name	Series 7300				Series 7400			
		Stand Alone		FCCS		Stand Alone		FCCS	
		Fm	To	Fm	To	Fm	To	Fm	To
C-97	Call Pickup - Group - PRI	X	X	X Note 15	X Note 15	→	→	→ Note 15	→ Note 15
C-8	Call Processing Indication	X	X	X	X	→	→	→	→
C-53	Call Processing Indication - CCIS	X	X	X	X	→	→	→	→
C-9	Call Queuing	X	—	X	—	→	—	→	—
C-151	Call Return	—	—	—	—	—	—	—	—
C-160	Call Trace	—	—	—	—	—	—	—	—
C-11	Call Transfer - All Calls	X	X*	X	X*	→	→*	→	→*
C-50	Call Transfer - All Calls - CCIS	X	X	X	X	→	→	→	→
C-11D	Call Transfer - All Calls - D ^{term}	—	—	—	—	—	—	—	—
C-99D	Call Transfer - All Calls - D ^{term} - PRI	—	—	—	—	—	—	—	—
C-99	Call Transfer - All Calls - PRI	X	X	X	X	→	→	→	→
C-10	Call Transfer - Attendant	X Note 3	X Note 3	X Note 3	X Note 3	→ Note 3	→ Note 3	→ Note 3	→ Note 3
C-54	Call Transfer - Attendant - CCIS	X	X	X	X	→	→	→	→
C-98	Call Transfer - Attendant - PRI	X	X	X	X	→	→	→	→
C-159	Call Transfer Supplementary Service (SS-ST) with Rerouting					—	—	—	—
C-31	Call Waiting - Originating	X Note 4	X Note 4	X Note 4	X Note 4	→ Note 4	→ Note 4	→ Note 4	→ Note 4
C-12	Call Waiting - Terminating	X Note 4	X Note 4	X Note 4	X Note 4	→ Note 4	→ Note 4	→ Note 4	→ Note 4
C-114	Call Waiting - Terminating - PRI	—	X	—	X	—	→	—	→
C-27D	Call Waiting Answer - D ^{term}	—	—	—	—	—	—	—	—
C-13	Call Waiting Lamp	X	—	X	—	→	—	→	—
C-76	Call Waiting Lamp - UCD	—	—	—	—	—	—	—	—
C-59	Called Number Display - Attendant	—	—	—	—	—	—	—	—
C-51	Called Station Status Display - CCIS	—	—	—	—	—	—	—	—
C-22D	Called Station Status Display - D ^{term}	—	—	—	—	—	—	—	—
C-153	Calling Name Identification Presentation (CLIP) / Connected Name Identification Presentation (CONP)	—	—	—	—	—	—	—	—
C-52	Calling Number Display - CCIS	X	X	X	X	→	→	→	→
C-24D	Calling Number Display - D ^{term}	—	—	—	—	—	—	—	—
C-112	Calling Party Information Transfer	—	—	—	—	—	—	—	—
C-157	Calling Party Number - Name Assignment and Display	—	—	—	—	—	—	—	—

Fm: When the call is originated from PS To: When the call terminates to PS
 X: Available —: Not available
 X*: Available with limitations

General Service Features

Index	Feature Name	Series 7300				Series 7400			
		Stand Alone		FCCS		Stand Alone		FCCS	
		Fm	To	Fm	To	Fm	To	Fm	To
C-103	Calling Party Recognition Service (Call Forwarding - All Calls/Busy Line/Don't Answer)	—	—	—	—	—	—	—	—
C-104	Calling Party Recognition Service (DIT)	—	—	—	—	—	—	—	—
C-163	CCIS Networking via IP					—	—	—	—
C-164	CCIS Tandem Call - Calling Party Number (CPN) Delivery to ISDN & Q-SIG Networks					—	—	—	—
C-14	CCSA Access	X	—	—	—	→	—	—	—
C-20	Centralized Attendant Service (CAS)	—	—	—	—	—	—	—	—
C-55	Centralized Billing - CCIS	X	—	X	—	→	—	→	—
C-56	Centralized Day/Night Mode Change - CCIS	—	—	—	—	—	—	—	—
C-167	Centralized Maintenance - CCIS					—	—	—	—
C-57	Centralized System Management Report - CCIS	—	—	—	—	—	—	—	—
C-109	Centrex Compatibility	—	X	—	X	—	→	—	→
C-15	Class of Service - Individual	X	X	X	X	→	→	→	→
C-21	Code Calling Access	X	—	X	—	→	—	→	—
C-41	Combined Cable Pair for Simultaneous Voice and Data	—	—	—	—	—	—	—	—
C-33	Consecutive Dialing - Attendant	—	—	—	—	—	—	—	—
C-62	Consecutive Speed Calling - System	—	—	—	—	—	—	—	—
C-17	Consultation Hold - All Calls	X	X	X	X	→	→	→	→
C-58	Consultation Hold - All Calls - CCIS	X	X	X	X	→	→	→	→
C-17D	Consultation Hold - All Calls - D ^{term}	—	—	—	—	—	—	—	—
C-100D	Consultation Hold - All Calls - D - PRI	—	—	—	—	—	—	—	—
C-100	Consultation Hold - All Calls - PRI	X	X	X	X	→	→	→	→
D-152	D Channel Backup - PRI	—	—	—	—	—	—	—	—
D-43	Data Call Dial Monitor	—	—	—	—	—	—	—	—
D-33	Data Call Hunting - Circular	—	—	—	—	—	—	—	—
D-34	Data Call Hunting - Secretarial	—	—	—	—	—	—	—	—
D-35	Data Call Hunting - Terminal	—	—	—	—	—	—	—	—
D-49	Data Call Least Cost Routing - 3/6-Digit	—	—	—	—	—	—	—	—
Fm: When the call is originated from PS		To: When the call terminates to PS							
X: Available		—: Not available							
X*: Available with limitations									

General Service Features

Index	Feature Name	Series 7300				Series 7400			
		Stand Alone		FCCS		Stand Alone		FCCS	
		Fm	To	Fm	To	Fm	To	Fm	To
D-36	Data Call Number Display	—	—	—	—	—	—	—	—
D-37	Data Call Origination	—	—	—	—	—	—	—	—
D-50	Data Call Peg Count	—	—	—	—	—	—	—	—
D-38	Data Call Progress Responses	—	—	—	—	—	—	—	—
D-51	Data Call Restriction from Outgoing Calls	—	—	—	—	—	—	—	—
D-52	Data Call Route Advance	—	—	—	—	—	—	—	—
D-59	Data Call Toll Restriction - 3/6-Digit	—	—	—	—	—	—	—	—
D-40	Data Class of Service - Individual	—	—	—	—	—	—	—	—
D-41	Data Communication - CCIS	—	—	—	—	—	—	—	—
D-121	Data Communications - PRI	—	—	—	—	—	—	—	—
D-28	Data Communications - T1 Link	—	—	—	—	—	—	—	—
D-39	Data Connection - CCSA	—	—	—	—	—	—	—	—
D-47	Data Connection - FX	—	—	—	—	—	—	—	—
D-61	Data Connection - WATS Access	—	—	—	—	—	—	—	—
D-44	Data Connection - Direct-In Termination	—	—	—	—	—	—	—	—
D-45	Data Connection - Direct Inward Dialing (DID)	—	—	—	—	—	—	—	—
D-46	Data Connection - Direct Outward Dialing (DOD)	—	—	—	—	—	—	—	—
D-58	Data Connection - Tie Line Access	—	—	—	—	—	—	—	—
D-42	Data Day/Night Class of Service	—	—	—	—	—	—	—	—
D-77	Data Hot Line	—	—	—	—	—	—	—	—
D-86	Data Hot Line - CCIS	—	—	—	—	—	—	—	—
D-78	Data Hot Line - Outside	—	—	—	—	—	—	—	—
D-18	Data Interface - Automatic Answer	—	—	—	—	—	—	—	—
D-65	Data Interface - Automatic Answer - CCIS	—	—	—	—	—	—	—	—
D-119	Data Interface - Automatic Answer - PRI	—	—	—	—	—	—	—	—
D-48	Data Interface - Manual Answer	—	—	—	—	—	—	—	—
D-56	Data Line - Moves, Additions and Changes	—	—	—	—	—	—	—	—
D-12	Data Line Security	—	—	—	—	—	—	—	—
D-66	Data Line Security - CCIS	—	—	—	—	—	—	—	—
Fm: When the call is originated from PS		To: When the call terminates to PS							
X: Available		—: Not available							
X*: Available with limitations									

General Service Features

Index	Feature Name	Series 7300				Series 7400			
		Stand Alone		FCCS		Stand Alone		FCCS	
		Fm	To	Fm	To	Fm	To	Fm	To
D-117	Data Line Security - PRI	—	—	—	—	—	—	—	—
D-67	Data Privacy - CCIS	—	—	—	—	—	—	—	—
D-17	Data Privacy on Demand	—	—	—	—	—	—	—	—
D-68	Data Privacy on Demand - CCIS	—	—	—	—	—	—	—	—
D-118	Data Privacy on Demand - PRI	—	—	—	—	—	—	—	—
D-126	Data Queuing	—	—	—	—	—	—	—	—
D-53	Data Switching through Data Module	—	—	—	—	—	—	—	—
D-54	Data Switching through D ^{term}	—	—	—	—	—	—	—	—
D-55	Data System - Diagnostic Tests	—	—	—	—	—	—	—	—
D-57	Data Tenant Service	—	—	—	—	—	—	—	—
D-21	Data Terminal Traffic Measurement	—	—	—	—	—	—	—	—
D-19	Data Transparency	—	—	—	—	—	—	—	—
D-69	Data Transparency - CCIS	—	—	—	—	—	—	—	—
D-120	Data Transparency - PRI	—	—	—	—	—	—	—	—
D-60	Data Uniform Numbering Plan	—	—	—	—	—	—	—	—
D-122	Data Uniform Numbering Plan - PRI	—	—	—	—	—	—	—	—
D-15	Day/Night Class of Service	—	—	—	—	—	—	—	—
D-114	Delay Announcement - Attendant	—	—	—	—	—	—	—	—
D-31	Delay Announcement - UCD	—	—	—	—	—	—	—	—
D-90D	Delayed Ringing - D ^{term}	—	—	—	—	—	—	—	—
D-70	Deluxe Traveling Class Mark - CCIS	X	X	X	X	→	→	→	→
D-2	Dial Access to Attendant	X Note 5	—	X Note 5	—	→ Note 5	—	→ Note 5	—
D-71	Dial Access to Attendant - CCIS	X	—	X	—	→	—	→	—
D-87	Dial Intercom	—	—	—	—	—	—	—	—
D-13D	Dial Monitor - D ^{term}	—	—	—	—	—	—	—	—
D-91	Dialed Number Display Recall - CCIS	X	X	X	X	→	→	→	→
D-3	Dictation Access	X	X	X	X	→	→	→	→
D-123	DID Addressing	—	X	—	X	—	→	—	→
D-5	Digital Display - Station	X	X	X	X	→	→	→	→
D-72	Digital Display - Station - CCIS	X	—	X	—	→	—	→	—
D-6	Digital Display - Trunk	—	—	—	—	—	—	—	—
D-73	Digital Display - Trunk - CCIS	—	—	—	—	—	—	—	—
D-62	Digital Line Switching	—	—	—	—	—	—	—	—
D-16	Direct Digital Interface	—	—	—	—	—	—	—	—
Fm: When the call is originated from PS		To: When the call terminates to PS							
X: Available		—: Not available							
X*: Available with limitations									

General Service Features

Index	Feature Name	Series 7300				Series 7400			
		Stand Alone		FCCS		Stand Alone		FCCS	
		Fm	To	Fm	To	Fm	To	Fm	To
D-7	Direct-In Termination (DIT)	—	X Note 6	—	X Note 6	—	→ Note 6	—	→ Note 6
D-137	Direct-In Termination (DIT) - PRI	—	X Note 6	—	X Note 6	—	→ Note 6	—	→ Note 6
D-74	Direct-In Termination - CCIS	—	X Note 6	—	X Note 6	—	→ Note 6	—	→ Note 6
D-8	Direct Inward Dialing (DID)	—	X	—	X	—	→	—	→
D-9	Direct Outward Dialing (DOD)	X	—	—	—	→	—	—	—
D-149	Direct Station Selection (DSS) Console	—	—	—	—	—	—	—	—
D-10	Distinctive Ringing	—	X Note 7	—	X Note 7	—	→ Note 7	—	→ Note 7
D-153	Distinctive Ringing - Caller	—	—	—	—	—	—	—	—
D-75	Distinctive Ringing - CCIS	—	X Note 7	—	X Note 7	—	→ Note 7	—	→ Note 7
D-115	Distinctive Ringing - PRI	—	—	—	—	—	—	—	—
D-76	Do Not Disturb - CCIS	—	X	—	X	—	→	—	→
D-11D	Do Not Disturb - D ^{term}	—	—	—	—	—	—	—	—
D-76D	Do Not Disturb - D ^{term} - CCIS	—	—	—	—	—	—	—	—
D-116D	Do Not Disturb - D ^{term} - PRI	—	—	—	—	—	—	—	—
D-32D	Dual Hold - D ^{term}	—	—	—	—	—	—	—	—
D-93D	Dual Hold - D ^{term} - CCIS	—	—	—	—	—	—	—	—
D-156	Dual Station Call	—	—	—	—	—	—	—	—
E-18	E911 - ANI Unified Number of Digits	—	—	—	—	—	—	—	—
E-20	E911 - ANI Unified Number of Digits - CCIS	—	—	—	—	—	—	—	—
E-7	EIA RS232C Interface	—	—	—	—	—	—	—	—
E-9	Elapsed Time Display - CCIS	—	—	—	—	—	—	—	—
E-3D	Elapsed Time Display - D ^{term}	—	—	—	—	—	—	—	—
E-14D	Elapsed Time Display - D ^{term} - PRI	—	—	—	—	—	—	—	—
E-11	Emergency Call	—	—	—	—	—	—	—	—
E-23	Event Based CCIS - ISDN Transport	—	—	—	—	—	—	—	—
E-24	Event Based CCIS - Q-SIG Transport	—	—	—	—	—	—	—	—
E-4D	Exclusive Hold - D ^{term}	—	—	—	—	—	—	—	—
E-1	Executive Right of Way	—	—	—	—	—	—	—	—
E-8	Executive Right of Way - CCIS	—	—	—	—	—	—	—	—
E-1D	Executive Right of Way - D ^{term}	—	—	—	—	—	—	—	—

Fm: When the call is originated from PS To: When the call terminates to PS
 X: Available —: Not available
 X*: Available with limitations

General Service Features

Index	Feature Name	Series 7300				Series 7400			
		Stand Alone		FCCS		Stand Alone		FCCS	
		Fm	To	Fm	To	Fm	To	Fm	To
E-26	Expanded Multiple Line Operation - D ^{term}					—	—	—	—
F-6	Faulty Trunk Report	X	X	—	—	→	→	—	—
F-26	Faulty Trunk Report - PRI	—	—	—	—	—	—	—	—
F-36	FCCS Networking via IP					—	—	—	—
F-3D	Flash Button - D ^{term}	—	—	—	—	—	—	—	—
F-4D	Flash Entry - D ^{term}	—	—	—	—	—	—	—	—
F-17	Flexible Assignment of Line/Function Buttons	—	—	—	—	—	—	—	—
F-11	Flexible Numbering of DTEs	—	—	—	—	—	—	—	—
F-1	Flexible Numbering of Stations	X	X	X	X	→	→	→	→
F-12	Flexible Numbering of Stations - CCIS	X	X	X	X	→	→	→	→
F-21	Flexible Numbering of Stations - PRI	X	X	X	X	→	→	→	→
F-5D	Flexible Ringing Assignment - D ^{term}	—	—	—	—	—	—	—	—
F-35	Flexible Routing - FCCS	X	—	X	—	→	—	→	—
F-31	Follow Phone	—	—	—	—	—	—	—	—
F-7	Forced Account Code	—	—	—	—	—	—	—	—
F-2	FX Access	X	—	—	—	→	—	—	—
G-2	Group Calling	—	—	—	—	—	—	—	—
H-7	Half/Full Duplex Switchover	—	—	—	—	—	—	—	—
H-4	Hands-Free Answer Back	—	—	—	—	—	—	—	—
H-10	Hands-Free Answer Back - CCIS	—	—	—	—	—	—	—	—
H-4D	Hands-Free Answer Back - D ^{term}	—	—	—	—	—	—	—	—
H-14D	Hands-Free Answer Back - D ^{term} - PRI	—	—	—	—	—	—	—	—
H-5D	Hands-Free Dialing/Monitoring - D ^{term}	—	—	—	—	—	—	—	—
H-1	Hot Line	X	X	—	—	→	→	—	—
H-12	Hot Line - CCIS	X	—	—	—	→	—	—	—
H-9	Hot Line - Outside	X	—	—	—	→	—	—	—
H-15	Hot Line - Outside - PRI	X	—	—	—	→	—	—	—
H-2	House Phone	—	—	—	—	—	—	—	—
H-11	House Phone - CCIS	—	X	—	X	—	→	—	→
Fm: When the call is originated from PS X: Available X*: Available with limitations		To: When the call terminates to PS —: Not available							

General Service Features

Index	Feature Name	Series 7300				Series 7400			
		Stand Alone		FCCS		Stand Alone		FCCS	
		Fm	To	Fm	To	Fm	To	Fm	To
I-7D	I-Hold Indication - D ^{term}	—	—	—	—	—	—	—	—
I-8D	I-Use Indication - D ^{term}	—	—	—	—	—	—	—	—
I-20	Immediate Ringback Tone	X	—	—	—	→	—	—	—
I-1	Immediate Ringing	—	—	—	—	—	—	—	—
I-2	Incoming Call Identification	—	—	—	—	—	—	—	—
I-16	Incoming Call Identification - CCIS	X	—	X	—	→	—	→	—
I-24	Incoming Call Identification - PRI	—	—	—	—	—	—	—	—
I-3	Incoming Central Office Call to Tie Line Connection	—	—	—	—	—	—	—	—
I-25	Incoming ISDN Call to Tie Line Connection - PRI	—	—	—	—	—	—	—	—
I-26	Indialing through Main - PRI	—	—	—	—	—	—	—	—
I-6	Individual Attendant Access	X	—	X	—	→	—	→	—
I-17	Individual Attendant Access - CCIS	X	—	—	—	→	—	—	—
I-4	Individual Trunk Access	—	—	—	—	—	—	—	—
I-19	Individual Trunk Access - CCIS	—	—	—	—	—	—	—	—
I-9	Intercom Calling	—	—	—	—	—	—	—	—
I-10D	Intermediate Station Number Display - D ^{term}	—	—	—	—	—	—	—	—
I-21	Internal Zone Paging	—	—	—	—	—	—	—	—
I-11	Inter-Office Off-Hook Queuing	—	—	—	—	—	—	—	—
I-36	Inter-Office Off-Hook Queuing - PRI	—	—	—	—	—	—	—	—
I-27	Inter-PBX Coordinated Station Numbering Plan - PRI	—	—	—	—	—	—	—	—
I-5	Inter-Position Transfer	—	—	—	—	—	—	—	—
I-18	Inter-Position Transfer - CCIS	—	—	—	—	—	—	—	—
I-15	Inter-Modem Pooling	—	—	—	—	—	—	—	—
I-28	ISDN Individual Calling Line Identification (ICLID)	—	—	—	—	—	—	—	—
K-1D	Keyboard Dialing - Data Adapter-D ^{term}	—	—	—	—	—	—	—	—
K-2	Keyboard Dialing - Data Module	—	—	—	—	—	—	—	—
K-3	Keypad Dialing	—	—	—	—	—	—	—	—
L-1	Lamp Check	—	—	—	—	—	—	—	—
Fm: When the call is originated from PS		To: When the call terminates to PS							
X: Available		—: Not available							
X*: Available with limitations									

General Service Features

Index	Feature Name	Series 7300				Series 7400			
		Stand Alone		FCCS		Stand Alone		FCCS	
		Fm	To	Fm	To	Fm	To	Fm	To
L-6	Last Number Call	— Note 8	— Note 8	— Note 8	— Note 8	— Note 8	— Note 8	— Note 8	— Note 8
L-6D	Last Number Call - D ^{term}	—	—	—	—	—	—	—	—
L-42D	Last Number Call - D ^{term} - PRI	—	—	—	—	—	—	—	—
L-42	Last Number Call - PRI	—	—	—	—	—	—	—	—
L-33	LCR - Attendant Manual Override - PRI	—	—	—	—	—	—	—	—
L-34	LCR - Automatic Overflow to DDD - PRI	X	—	—	—	→	—	—	—
L-35	LCR - Clocked Manual Override - PRI	X	—	—	—	→	—	—	—
L-49	LCR - Special Line Warning Tone - PRI	—	—	—	—	—	—	—	—
L-10	LCR - Time of Day Routing	—	—	—	—	—	—	—	—
L-32	LCR - Time of Day Routing - PRI	—	—	—	—	—	—	—	—
L-28	LDN - Night Connection	—	—	—	—	—	—	—	—
L-29	LDN - Night Connection - CCIS	—	X	—	X	—	→	—	→
L-30	LDN - Night Connection - Outside	—	—	—	—	—	—	—	—
L-46	LDN - Night Connection - Outside - PRI	—	—	—	—	—	—	—	—
L-44	LDN - Night Connection - PRI	—	—	—	—	—	—	—	—
L-5	Least Cost Routing (LCR) - 3/6-Digit	X	—	X	—	→	—	→	—
L-31	Least Cost Routing (LCR) - 3/6-Digit - PRI	X	—	X	—	→	—	→	—
L-11	Line Load Control - Attendant	—	—	—	—	—	—	—	—
L-20	Line Load Control - Automatic	—	—	—	—	—	—	—	—
L-21	Line Load Control - MAT	—	—	—	—	—	—	—	—
L-3	Line Lockout	—	—	—	—	—	—	—	—
L-9D	Line Preselection - D ^{term}	—	—	—	—	—	—	—	—
L-8D	Line Reconnect - Other Line - D ^{term}	—	—	—	—	—	—	—	—
L-7D	Line Reconnect - Same Line - D ^{term}	—	—	—	—	—	—	—	—
L-24	Listed Directory Number Display - Attendant	—	—	—	—	—	—	—	—
L-25	Look Ahead Routing - CCIS	—	—	—	—	—	—	—	—
M-18	Maintenance Administration Terminal (MAT)	—	—	—	—	—	—	—	—
M-15	Maintenance Printout	—	—	—	—	—	—	—	—

Fm: When the call is originated from PS To: When the call terminates to PS
 X: Available —: Not available
 X*: Available with limitations

General Service Features

Index	Feature Name	Series 7300				Series 7400			
		Stand Alone		FCCS		Stand Alone		FCCS	
		Fm	To	Fm	To	Fm	To	Fm	To
M-31	Manual Disconnection of Data Call	—	—	—	—	—	—	—	—
M-47	Manual Signaling	—	—	—	—	—	—	—	—
M-1	Meet-Me Paging	X	—	X	—	→	—	→	—
M-11	Meet-Me Paging - Attendant	—	—	—	—	—	—	—	—
M-77	Megacom 800 Access	—	—	—	—	—	—	—	—
M-76	Megacom Access	—	—	—	—	—	—	—	—
M-26	Message Center Interface	—	—	—	—	—	—	—	—
M-67	Message Center Interface - CCIS	—	—	—	—	—	—	—	—
M-19	Message Reminder	—	—	—	—	—	—	—	—
M-34	Message Reminder - CCIS	—	—	—	—	—	—	—	—
M-19D	Message Reminder - D ^{term}	—	—	—	—	—	—	—	—
M-34D	Message Reminder - D ^{term} - CCIS	—	—	—	—	—	—	—	—
M-85D	Message Waiting Indication - D ^{term}	—	—	—	—	—	—	—	—
M-23	Message Waiting Lamp Setting - Attendant	—	—	—	—	—	—	—	—
M-35	Message Waiting Lamp Setting - Attendant - CCIS	—	—	—	—	—	—	—	—
M-30	Message Waiting Lamp Setting - Station	—	—	—	—	—	—	—	—
M-36	Message Waiting Lamp Setting - Station - CCIS	—	—	—	—	—	—	—	—
M-101	MF ANI to SMDR	—	—	—	—	—	—	—	—
M-84	MF Signaling - DID	—	—	—	—	—	—	—	—
M-2	Miscellaneous Trunk Access	X	—	X	—	→	—	→	—
M-37	Miscellaneous Trunk Access - CCIS	X	—	X	—	→	—	→	—
M-71	Miscellaneous Trunk Access - PRI	X	—	X	—	→	—	→	—
M-3	Miscellaneous Trunk Restriction	X	—	X	—	→	—	→	—
M-38	Miscellaneous Trunk Restriction - CCIS	X	—	X	—	→	—	→	—
M-72	Miscellaneous Trunk Restriction - PRI	X	—	X	—	→	—	→	—
M-39	Modem Pooling - CCIS	—	—	—	—	—	—	—	—
M-74	Modem Pooling - PRI	—	—	—	—	—	—	—	—
M-48	Multi Channel Recording	X	—	X	—	→	—	→	—
M-44	Multiple Call Forwarding - All Calls	X	X	X	X	→	→	→	→
M-40	Multiple Call Forwarding - All Calls - CCIS	X	X	X	X	→	→	→	→

Fm: When the call is originated from PS To: When the call terminates to PS
 X: Available —: Not available
 X*: Available with limitations

General Service Features

Index	Feature Name	Series 7300				Series 7400			
		Stand Alone		FCCS		Stand Alone		FCCS	
		Fm	To	Fm	To	Fm	To	Fm	To
M-75	Multiple Call Forwarding - All Calls - PRI	X	X	X	X	→	→	→	→
M-24	Multiple Call Forwarding - Busy Line	X	X	X	X	→	→	→	→
M-41	Multiple Call Forwarding - Busy Line - CCIS	X	X	X	X	→	→	→	→
M-25	Multiple Call Forwarding - Don't Answer	X	X	X	X	→	→	→	→
M-42	Multiple Call Forwarding - Don't Answer - CCIS	X	X	X	X	→	→	→	→
M-4	Multiple Console Operation	—	—	—	—	—	—	—	—
M-43	Multiple Console Operation - CCIS	—	—	—	—	—	—	—	—
M-20D	Multiple Line Operation - D ^{term}	—	—	—	—	—	—	—	—
M-7	Music On Hold	X	X	X	X	→	→	→	→
M-73	Music On Hold - PRI	X	X	X	X	→	→	→	→
N-9	Nailed Down Connection	—	—	—	—	—	—	—	—
N-31	Nailed Down Connection - PRI	—	—	—	—	—	—	—	—
N-37	Name Display - OAI - CCIS	—	—	—	—	—	—	—	—
N-28	Name Display - System	—	—	—	—	—	—	—	—
N-42	National ISDN 2 PRI	X	X	X	X	→	→	→	→
N-39	NI-1 BRI Terminal Support	—	—	—	—	—	—	—	—
N-1	Night Connection - Fixed	—	—	—	—	—	—	—	—
N-15	Night Connection - Fixed - CCIS	—	X	—	X	—	→	—	→
N-20	Night Connection - Fixed - PRI	—	—	—	—	—	—	—	—
N-2	Night Connection - Flexible	—	—	—	—	—	—	—	—
N-16	Night Connection - Flexible - CCIS	—	—	—	—	—	—	—	—
N-21	Night Connection - Flexible - PRI	—	—	—	—	—	—	—	—
N-17	Night Connection Outside - System	—	—	—	—	—	—	—	—
N-29	Night Connection Outside - System - PRI	—	—	—	—	—	—	—	—
N-3	Non-Delay Operation	X	—	X	—	→	—	→	—
N-22	Non-Delay Operation - PRI	X	—	—	—	→	—	—	—
N-7D	Non-Exclusive Hold - D ^{term}	—	—	—	—	—	—	—	—
N-8D	Non-Square Line Assignment - D ^{term}	—	—	—	—	—	—	—	—
N-40	Non-Facility Associated Signaling - PRI	—	—	—	—	—	—	—	—

Fm: When the call is originated from PS To: When the call terminates to PS
 X: Available —: Not available
 X*: Available with limitations

General Service Features

Index	Feature Name	Series 7300				Series 7400			
		Stand Alone		FCCS		Stand Alone		FCCS	
		Fm	To	Fm	To	Fm	To	Fm	To
N-46	Number Portability - CCIS					—	—	—	—
O-6	Off-Hook Alarm	—	—	—	—	—	—	—	—
O-37D	Off-Hook Line Number Display - D ^{term}	—	—	—	—	—	—	—	—
O-7	Off-Hook Queuing	—	—	—	—	—	—	—	—
O-11	Off-Hook Queuing - CCIS	X	—	X	—	→	—	→	—
O-28	Off-Hook Queuing - PRI	—	—	—	—	—	—	—	—
O-1	On-Line Maintenance	—	—	—	—	—	—	—	—
O-21	Outgoing Trunk Busy - Announcement	X	—	—	—	→	—	—	—
O-2	Outgoing Trunk Queuing	—	—	—	—	—	—	—	—
O-16	Outgoing Trunk Queuing - Attendant	—	—	—	—	—	—	—	—
O-30	Outgoing Trunk Queuing - Attendant - PRI	—	—	—	—	—	—	—	—
O-12	Outgoing Trunk Queuing - CCIS	—	—	—	—	—	—	—	—
O-26	Outgoing Trunk Queuing - Deluxe - PRI	—	—	—	—	—	—	—	—
O-2D	Outgoing Trunk Queuing - D ^{term}	—	—	—	—	—	—	—	—
O-24	Outgoing Trunk Queuing - PRI	—	—	—	—	—	—	—	—
O-13	Overflow - UCD	—	—	—	—	—	—	—	—
O-32	Overflow - UCD - PRI	—	—	—	—	—	—	—	—
P-57	Pad Lock	—	—	—	—	—	—	—	—
P-1	Paging Access	—	—	—	—	—	—	—	—
P-28	Paging Access - CCIS	—	—	—	—	—	—	—	—
P-10	Paging Transfer	—	—	—	—	—	—	—	—
P-47	Paging Transfer - PRI	—	—	—	—	—	—	—	—
P-2	Passing Dial Tone	—	—	—	—	—	—	—	—
P-7	Peg Count	X	—	—	—	→	—	—	—
P-37	Peg Count - PRI	X	—	—	—	→	—	—	—
P-11	Periodic Time Indication Tone	X	—	—	—	→	—	—	—
P-59	Personal Ringer	—	—	—	—	—	—	—	—
P-22	Port Contention	—	—	—	—	—	—	—	—
P-3	Power Failure Transfer	— Note 9	— Note 9	— Note 9	— Note 9	— Note 9	— Note 9	— Note 9	— Note 9
P-49	PRI Fail Safe Routing	X	—	—	—	→	—	—	—
P-58	PRI Terminal Support (AT&T)	—	—	—	—	—	—	—	—
Fm: When the call is originated from PS		To: When the call terminates to PS							
X: Available		—: Not available							
X*: Available with limitations									

General Service Features

Index	Feature Name	Series 7300				Series 7400			
		Stand Alone		FCCS		Stand Alone		FCCS	
		Fm	To	Fm	To	Fm	To	Fm	To
P-39	PRI Trunk to Tie Line Connection with Pad Control	—	—	—	—	—	—	—	—
P-38	Primary Call Restriction - PRI	X	—	—	—	→	—	—	—
P-13D	Prime Line Pickup - D ^{term}	—	—	—	—	—	—	—	—
P-9	Priority Call	X Note 10	—	X Note 10	—	→ Note 10	—	→ Note 10	—
P-30	Priority Paging	—	—	—	—	—	—	—	—
P-14D	Privacy - D ^{term}	—	—	—	—	—	—	—	—
P-15D	Privacy on All Lines - D ^{term}	—	—	—	—	—	—	—	—
P-18	Privacy Release	—	—	—	—	—	—	—	—
P-4	Pushbutton Calling	—	—	—	—	—	—	—	—
P-5	Pushbutton Calling - Attendant Only	—	—	—	—	—	—	—	—
P-6	Pushbutton-to-Rotary Conversion	—	—	—	—	—	—	—	—
Q-4	Q-SIG Circuit Switched Basic Call - ETSI Version	—	—	—	—	—	—	—	—
R-16	Radio Paging	—	—	—	—	—	—	—	—
R-2	Remote Access to System	—	X Note 11	—	X Note 11	—	→ Note 11	—	→ Note 11
R-7	Remote Maintenance	—	—	—	—	—	—	—	—
R-3	Reserve Power	—	—	—	—	—	—	—	—
R-4	Restriction from Outgoing Calls	X	—	—	—	→	—	—	—
R-22	Restriction from Outgoing Calls - CCIS	X	—	—	—	→	—	—	—
R-35	Restriction from Outgoing Calls - PRI	X	—	—	—	→	—	—	—
R-49	Ringer Mute	—	—	—	—	—	—	—	—
R-5	Rotary Dial Calling	—	—	—	—	—	—	—	—
R-6	Route Advance	—	—	—	—	—	—	—	—
R-27	Route Restriction - Announcement	X	—	—	—	→	—	—	—
R-37	RS-464A PAD	—	—	—	—	—	—	—	—
S-41	Same Routing of Voice and Data	—	—	—	—	—	—	—	—
S-24D	Save and Repeat - D ^{term}	—	—	—	—	—	—	—	—
S-90	SDN Access	—	—	—	—	—	—	—	—
S-42	Separate Routing of Voice and Data	—	—	—	—	—	—	—	—
S-15	Serial Call	—	—	—	—	—	—	—	—
Fm: When the call is originated from PS		To: When the call terminates to PS							
X: Available		—: Not available							
X*: Available with limitations									

General Service Features

Index	Feature Name	Series 7300				Series 7400			
		Stand Alone		FCCS		Stand Alone		FCCS	
		Fm	To	Fm	To	Fm	To	Fm	To
S-52	Serial Call - CCIS	—	—	—	—	—	—	—	—
S-127	Serial Call - D ^{term}	—	—	—	—	—	—	—	—
S-64	Serial Call Loop Release	—	—	—	—	—	—	—	—
S-53	Service Display - CCIS	—	—	—	—	—	—	—	—
S-25D	Service Display - D ^{term}	—	—	—	—	—	—	—	—
S-53D	Service Display - D ^{term} - CCIS	—	—	—	—	—	—	—	—
S-27	Service Feature Peg Count	X	—	X	—	→	—	→	—
S-91	SID to Network - Present	—	—	—	—	—	—	—	—
S-92	SID to Network - Privacy	—	—	—	—	—	—	—	—
S-93	SID to Terminating User - Display	—	—	—	—	—	—	—	—
S-94	SID to Terminating User - DTE	—	—	—	—	—	—	—	—
S-28	Simultaneous Voice and Data Transmission	—	—	—	—	—	—	—	—
S-54	Simultaneous Voice and Data Transmission - CCIS	—	—	—	—	—	—	—	—
S-86	Simultaneous Voice and Data Transmission - PRI	—	—	—	—	—	—	—	—
S-43	Single-Digit DTE Calling	—	—	—	—	—	—	—	—
S-19	Single-Digit Feature Code	X	—	X	—	→	—	→	—
S-1	Single-Digit Station Calling	X	—	X	—	→	—	→	—
S-55	Single-Digit Station Calling - CCIS	X	—	X	—	→	—	→	—
S-106	Slumber Time - Do Not Disturb	—	—	—	—	—	—	—	—
S-40	SMDR for Data Call - RS232C	—	—	—	—	—	—	—	—
S-88	SMDR for Data Call - RS232C - PRI	—	—	—	—	—	—	—	—
S-129	SMDR Output Expansion - ANI/CPN	—	—	—	—	—	—	—	—
S-33	Software Line Appearance	—	—	—	—	—	—	—	—
S-2	Special Dial Tone	X Note 12	—	X Note 12	—	→ Note 12	—	→ Note 12	—
S-23	Speed Calling - Group	—	—	—	—	—	—	—	—
S-85	Speed Calling - Group - PRI	—	—	—	—	—	—	—	—
S-26D	Speed Calling - One Touch - D ^{term}	—	—	—	—	—	—	—	—
S-61	Speed Calling Override - System	—	—	—	—	—	—	—	—
S-89	Speed Calling Override - System - PRI	—	—	—	—	—	—	—	—
S-21	Speed Calling - Station	— Note 12	— Note 12	— Note 12	— Note 12	— Note 12	— Note 12	— Note 12	— Note 12
S-84	Speed Calling - Station - PRI	—	—	—	—	—	—	—	—
Fm: When the call is originated from PS		To: When the call terminates to PS							
X: Available		—: Not available							
X*: Available with limitations									

General Service Features

Index	Feature Name	Series 7300				Series 7400			
		Stand Alone		FCCS		Stand Alone		FCCS	
		Fm	To	Fm	To	Fm	To	Fm	To
S-3	Speed Calling - System	—	—	—	—	—	—	—	—
S-3D	Speed Calling - System - D ^{term}	—	—	—	—	—	—	—	—
S-82D	Speed Calling - System - D ^{term} - PRI	—	—	—	—	—	—	—	—
S-82	Speed Calling - System - PRI	—	—	—	—	—	—	—	—
S-99	Split Call Forwarding	—	—	—	—	—	—	—	—
S-4	Splitting	X	X	X	X	→	→	→	→
S-4D	Splitting - D ^{term}	—	—	—	—	—	—	—	—
S-62	Station 5dB Pad	X	X	X	X	→	→	→	→
S-6	Station-Controlled Conference	X	X	X	X	→	→	→	→
S-56	Station-Controlled Conference - CCIS	—	X	—	X	—	→	—	→
S-107	Station Individual Trunk Access - PRI	X	—	—	—	→	—	—	—
S-7	Station Hunting - Circular	—	—	—	—	—	—	—	—
S-8	Station Hunting - Secretarial	—	—	—	—	—	—	—	—
S-9	Station Hunting - Terminal	—	—	—	—	—	—	—	—
S-10	Station Message Detail Recording System	X	—	X	—	→	—	→	—
S-83	Station Message Detail Recording System - PRI	X	—	X	—	→	—	→	—
S-11	Station-to-Station Calling	X	X	X	X	→	→	→	→
S-57	Station-to-Station Calling - CCIS	X	X	X	X	→	→	→	→
S-12	Station-to-Station Calling - Operator Assistance	X	X	X	X	→	→	→	→
S-58	Station-to-Station Calling - Operator Assistance - CCIS	X	X	X	X	→	→	→	→
S-44	Status Display	—	—	—	—	—	—	—	—
S-45	Status Indication	—	—	—	—	—	—	—	—
S-13	Step Call	X Note 13	X Note 13	X Note 13	X Note 13	→ Note 13	→ Note 13	→ Note 13	→ Note 13
S-59	Step Call - CCIS	—	X	—	X	—	→	—	→
S-95	Sub-Address - Addressing	X	X	X	X	→	→	→	→
S-96	Sub-Address - Present	—	—	—	—	—	—	—	—
S-73	Supervisory Call - CCIS	—	X	—	X	—	→	—	→
S-29	Synchronous Data Switching	—	—	—	—	—	—	—	—
S-60	Synchronous Data Switching - CCIS	—	—	—	—	—	—	—	—
S-87	Synchronous Data Switching - PRI	—	—	—	—	—	—	—	—
Fm: When the call is originated from PS		To: When the call terminates to PS							
X: Available		—: Not available							
X*: Available with limitations									

General Service Features

Index	Feature Name	Series 7300				Series 7400			
		Stand Alone		FCCS		Stand Alone		FCCS	
		Fm	To	Fm	To	Fm	To	Fm	To
T-1	Tandem Switching of Tie Trunks - 2/4-Wire	—	—	—	—	—	—	—	—
T-37	Tandem Switching of Tie Trunks - 2/4-Wire - PRI	—	—	—	—	—	—	—	—
T-12	Tenant Service	X	X	—	—	→	→	—	—
T-25	Terminal Attribute Data Assignment through MAT	—	—	—	—	—	—	—	—
T-3	Tie Line Access	X	X	X	X	→	→	→	→
T-5	Tie Line Connection with Pad Control	X	X	—	X	→	→	—	→
T-2	Three-Way Calling	X	X	X	X	→	→	→	→
T-2D	Three-Way Calling - D ^{term}	—	—	—	—	—	—	—	—
T-38D	Three-Way Calling - D ^{term} - PRI	—	—	—	—	—	—	—	—
T-38	Three-Way Calling - PRI	X	X	X	X	→	→	→	→
T-18D	Time Display - D ^{term}	—	—	—	—	—	—	—	—
T-62	Timed Reminder	—	—	—	—	—	—	—	—
T-6	Toll Denial/Toll Diversion	X	—	—	—	→	—	—	—
T-40	Toll Denial/Toll Diversion - PRI	X	—	—	—	→	—	—	—
T-7	Toll Restriction - 3/6-Digit	X	—	—	—	→	—	—	—
T-26	Toll Restriction - 3/6-Digit - CCIS	X	—	—	—	→	—	—	—
T-41	Toll Restriction - 3/6-Digit - PRI	X	—	—	—	→	—	—	—
T-63	Tone Block					—	—	—	—
T-44	Transfer Message (TRM)	—	—	—	—	—	—	—	—
T-8	Trunk Answer from Any Station (TAS)	—	—	—	—	—	—	—	—
T-27	Trunk Answer from Any Station (TAS) - CCIS	—	—	—	—	—	—	—	—
T-9	Trunk Group Busy Lamp	—	—	—	—	—	—	—	—
T-23	Trunk Line Appearance	X	—	—	—	→	—	—	—
T-42	Trunk Provisioning Service Selection	—	—	—	—	—	—	—	—
T-10	Trunk-to-Trunk Connection	—	—	—	—	—	—	—	—
T-28	Trunk-to-Trunk - Third Party Cancellation	—	—	—	—	—	—	—	—
U-1	Uniform Call Distribution (UCD)	—	—	—	—	—	—	—	—
U-6	Uniform Call Distribution - PRI	—	—	—	—	—	—	—	—
U-3	Universal Sender	—	—	—	—	—	—	—	—
U-5	Uniform Numbering Plan - CCIS	X	X	X	X	→	→	→	→

Fm: When the call is originated from PS To: When the call terminates to PS
 X: Available —: Not available
 X*: Available with limitations

General Service Features

Index	Feature Name	Series 7300				Series 7400			
		Stand Alone		FCCS		Stand Alone		FCCS	
		Fm	To	Fm	To	Fm	To	Fm	To
V-1	Variable Timing Parameters	—	—	—	—	—	—	—	—
V-18	Virtual Tie Line	—	—	—	—	—	—	—	—
V-2	Voice Call	—	—	—	—	—	—	—	—
V-2D	Voice Call - D ^{term}	—	—	—	—	—	—	—	—
V-7	Voice Call - CCIS	—	—	—	—	—	—	—	—
V-3D	Volume Control - D ^{term}	—	—	—	—	—	—	—	—
W-1	WATS Access	X	—	—	—	→	—	—	—

Fm: When the call is originated from PS To: When the call terminates to PS
 X: Available —: Not available
 X*: Available with limitations

Note 1: *Automated Attendant: Terminating side is PS*

- *When the PS is Out of Zone (Out of Area or in POWER OFF state), the calling party encounters Busy Tone, but call termination is not retried.
If the AUTOMATIC ANNOUNCEMENT - CALLED PS OUT OF ZONE [A-129] is set to the PS, the calling party does not hear Out of Zone Announcement. The calling party hears Busy Tone, but is not allowed to try a call termination again.*
- *If a PS user moves Out of Zone while talking with a subscriber of the Central Office line, AUTOMATIC ANNOUNCEMENT - DISCONNECTED PS OUT OF ZONE [A-128] cannot be heard by the subscriber outside. Busy Tone is heard.*
- *When a call activated by AUTOMATED ATTENDANT is transferred to a certain PS or a station to which CALL FORWARDING PS INCOMING CALL IMCOMPLETE [C-155] is set and when the transferred party is Out of Zone or in lock-out state, the calling party hears Busy Tone.*
- *PS is not allowed to be handed over while ringing. When the called PS is ringing with AUTOMATED ATTENDANT in service and at the same time, its transceiver zone is switched over, the PS stops ringing and the calling party hears Busy Tone.*

Note 2: *This feature is not applicable using CALL TRANSFER - ALL CALLS [C-11].*

Note 3: *If the Attendant Console which received a call from a Central Office line is released while calling a PS, the caller changes to the Central Office line side.*

If, in this situation, the PS user moves to a place out of Zone, the caller from the Central Office line continues hearing Busy Tone.

Note 4: *Call Waiting:*

- *This service is valid in a two-party call when call is terminated - from station-to-station, to PS, to Central Office line, or to Tie Line call - but invalid when other services using switch hook flash are executed to the PS or when the PS is connected to the Attendant Console.*
- *To set CALL WAITING, it is necessary that the Service Restriction Class data be assigned in the office data assignment. Call Waiting service is provided according to each service feature restriction class.*
- *There are no limitations to the number of CALL WAITING services such as the number of simultaneous settings/the number of occurrence of answers.*

General Service Features

- *This service cannot be used with the Central Office line (DIRECT IN TERMINATION) or a call via the Attendant Console.*

Note 5: *While the Attendant Console is calling a PS, the services associated with Out of Zone such as CALL FORWARDING PS INCOMING CALL INCOMPLETE [C-155], AUTOMATIC ANNOUNCEMENT - CALLED PS OUT OF ZONE [A-129] and AUTOMATIC ANNOUNCEMENT - DISCONNECTED PS OUT OF ZONE [A-128] are not available.*

When an Attendant calls a PS, the individual Attendant number can be displayed on the LCD of the PS. However, "OPR" cannot be displayed on the LCD of the PS.

Note 6: *When the PS is assigned as the target station of DIRECT IN TERMINATION (DIT) [D-7]:*

- *When the PS is Out of Zone (Out of Zone or in POWER OFF state), the calling party hears Ringback Tone.
Besides, if AUTOMATIC ANNOUNCEMENT - CALLED PS OUT OF ZONE [A-129] is assigned to the PS, the calling party does not hear the Out of Zone Announcement, but hears Ringback Tone instead.*
- *Even if a PS user moves Out of Zone while the talk between the corresponding PS and a subscriber of the Central Office line is in progress, AUTOMATIC ANNOUNCEMENT - DISCONNECTED PS OUT OF ZONE [A-128] cannot be heard by the subscriber outside, but Busy Tone is heard instead. The caller continues hearing Ringback Tone.*
- *In a call where a PS is engaged, a third-party intrusion into this line is not available upon the activation of CALL WAITING.*
- *When a call through DIT is transferred to a PS or a station upon the activation of CALL FORWARDING PS INCOMING CALL INCOMPLETE [C-155], the calling party hears Ringback Tone if the target PS or station is Out of Zone or in the lock-out state.*
- *PS is unable to be handed over when it is ringing. When the transceiver zone of the PS changes over, the called PS stops ringing, and the calling party hears Ringback Tone.*
- *In the FCCS network, PS must be called with Station Number.*

Note 7: *An incoming call from the Tie Line trunk rings the same as a station call.*

Note 8: *See [STACK DIALING - STATION](#) for the PS feature.*

Note 9: *PS cannot be used for the Night station.*

Note 10: *PS can activate this feature only for the Attendant Console.*

Note 11: *Remote Access to System: Terminating side is PS:*

- *When the PS is Out of Zone (Out of Area or in POWER OFF state), the calling party encounters Busy Tone, but call termination is not retried.
If the AUTOMATIC ANNOUNCEMENT - CALLED PS OUT OF ZONE [A-129] is set to the PS, the calling party does not hear Out of Zone Announcement. The calling party hears Busy Tone, but is not allowed to try a call termination again.*
- *If a PS user moves Out of Zone while talking with a subscriber of the Central Office line, AUTOMATIC ANNOUNCEMENT - DISCONNECTED PS OUT OF ZONE [A-128] cannot be heard by the subscriber outside. Busy Tone is heard.*
- *When a call activated by REMOTE ACCESS TO SYSTEM is transferred to a certain PS or a station to which CALL FORWARDING PS INCOMING CALL INCOMPLETE [C-155] is set and when the transferred party is Out of Zone or in the lock-out state, the calling party hears Busy Tone.*
- *PS is not allowed to be handed over while ringing. When the called PS is ringing with REMOTE ACCESS TO SYSTEM in service and at the same time, its transceiver zone is switched over, the PS stops ringing and the calling party hears Busy Tone.*

Note 12: *See [PRESET DIALING](#) for the PS feature.*

-
- Note 13:** *Tie Line Step Call is not available from PS.
Step call from a PS to the Attendant Console is not available.*
- Note 14:** *In a FCCS network, CALL FORWARDING destination station from a PS must have a telephone number.*
- Note 15:** *PS in the Home PBX cannot pick up the PS ringing in the Visit PBX over FCCS network.*

R-50

Radio Channel Changeover

General Description

This service supervises and controls (changeover) the channel automatically to avoid interference and to maintain speech quality.

Operating Procedure

No manual operation is required.

Service Conditions

1. There is no interruption in speech when this service is activated.
2. The new channel is assigned to the party which has moved into the service area.
3. When no idle channel is available, the call is continued on the same channel until the communication becomes unavailable, then AUTOMATIC RELEASE - OUT OF CELL CALLS is activated.

S-130

Speech Scrambling

General Description

This service protects calls from being tapped.

Operating Procedure

No manual operation is required.

Service Conditions

1. This service is activated for every originating call from the D^{term} PS and for every terminating call to the D^{term} PS. For every call, the encryption assignment message is sent from the D^{term} PS to the zone transceiver.
2. ENCRYPTION is automatically activated throughout a call. Cancelling encryption during a call is not possible.

O-38

Out Of Cell Indication

General Description

When the D^{term} PS series user moves out of the service area, the electric field strength becomes weak or the Error rate exceeds the threshold, this service notifies the user with a warning tone and the LCD display.

Operating Procedure

No manual operation is required.

Service Conditions

1. If the D^{term} PS user turns the power on when he/she is out of the service area or when the user moves out of the service area while idle, “antenna pict” display goes off and the LCD displays “NO SVC” or “No Service” in the upper section.
2. When the D^{term} PS user moves out of the service area while engaged in a call, “antenna pict” display goes off and the LCD displays “NO SVC” or “No Service” in the upper section after the user receives a warning tone.
3. When the electric field strength becomes so weak that communication cannot be continued or when the Error rate exceeds the threshold, AUTOMATIC RELEASE - OUT OF CELL CALLS is activated.

A-131 Automatic Release - Out Of Cell Calls

General Description

When the D^{term} PS series user engaged in a call moves out of the service area or enters radio zone where all the channels of ZTs are busy and the communication becomes unavailable, the call will be disconnected automatically and Reorder Tone or Out of Area Announcement will be sent to the opposite end.

Operating Procedure

No manual operation is required. When the number of the party engaged in the call is displayed, it will be cleared.

Service Conditions

1. When the electric field strength becomes weak due to the D^{term} PS user moving out of the service area or entering a radio zone where all the channels of ZTs are busy, or when the Error rate exceeds the threshold, OUT OF CELL INDICATION is activated.
2. When the electric field strength becomes so weak that communication is no longer available or when Error rate exceeds the threshold, the call will be disconnected automatically.

P-61

PS Authentication

General Description

This service confirms the identity of the D^{term} PS to avoid an unauthorized terminal from accessing the system.

Operating Procedure

No manual operation is required. The D^{term} PS identity is confirmed automatically by checking if the D^{term} PS possesses the key information unique to each D^{term} PS. This check is performed between the NEAX2400 IPX and the D^{term} PS.

Service Conditions

This service is activated in the following circumstances

1. When the D^{term} PS user originates a call.
2. When a call terminates to the D^{term} PS.
3. When HANDOVER service is activated.
4. When the D^{term} PS registers its location to the system (when idle).

P-62

PS Location Registration

General Description

This service allows the NEAX2400 IPX to supervise the location of each D^{term} PS series upon receiving the location registration request, to allow call termination.

Operating Procedure

No manual operation is required.

Service Conditions

1. This service is activated every time the D^{term} PS enters a different calling area. A maximum of 32 calling areas can be installed in the PCN of the NEAX2400 IPX.
2. A maximum of 192 zone transceivers can be installed in a single stack.
3. PS AUTHENTICATION is activated every time the D^{term} PS requests location registration.
4. In a FCCS network, the calling area cannot be assigned over multiple nodes.

O-39

Overlap Dialing

General Description

This service allows the D^{term} PS series user to receive a Dial Tone and to dial the desired number to originate a call.

Operating Procedure

To originate a call

1. Press the SEND or L1/L2 key; receive Dial Tone.
2. Dial the desired number. The dialed numbers are displayed on the LCD.

Service Conditions

1. A maximum 24 digits (numbers 0 to 9, #, and *) can be dialed. (A maximum of 12 digits can be displayed on the LCD.)
2. The D^{term} PS user can dial the number before hearing Dial Tone.
3. The prepause timer after receiving Dial Tone is ten seconds; and if no number is dialed within this period, the user receives Reorder Tone.
4. If the interdigit timer expires while the user is dialing the number, the numbers dialed before the timer will be sent out.
5. For every call origination, PS AUTHENTICATION is activated.
6. The D^{term} PS-to-D^{term} PS calls cannot be recorded for the SMDR.

P-63

Preset Dialing

General Description

This service allows the D^{term} PS series user to confirm the numbers to be dialed before originating calls.

Operating Procedure

To originate a call

1. Dial the desired number. The number is stored and displayed on the LCD.
2. After confirming the numbers, press the SEND or L1 key. The numbers are displayed on the LCD throughout the conversation.

Service Conditions

1. A maximum of 24 digits (numbers 0 to 9, #, *, and pause) can be stored. (A maximum of 12 digits can be displayed on the LCD. When more than 12 digits are dialed, the digits move from right to left, displaying only the most recently dialed digits.)
2. If a wrong number is dialed, press the CLR or CLEAR key. The number just dialed will be erased. If the CLR or CLEAR key is pressed for more than two seconds, the numbers will be erased successively. Also, if no number is entered for 20 seconds, the service is cleared, and the D^{term} PS returns to the idle state (stand by status).
3. If the user dials a number after pressing the SEND or L1/L2 key, it will be recognized as a PB signal sending.
4. PS AUTHENTICATION is activated for every call origination.

I-39 Individual PS Calling

General Description

This service allows the calling party to call the individual D^{term} PS series.

Operating Procedure

1. Dial the unique number assigned to each D^{term} PS; the designated D^{term} PS will be called. If the calling number display is available, the lower 12 digits of the number are displayed on the LCD of the called D^{term} PS. (The arrow is displayed to show that the upper digits are not displayed.)
2. There are two answering options:
 - a.) Any-key answering mode
The called D^{term} PS user presses any one of the keys (numbers 0 to 9, #, *, or function keys) to answer.
 - b.) Automatic answering mode
The called D^{term} PS is connected automatically without ringing.

Service Conditions

1. The D^{term} PS will be called in the calling area where its location had been registered.
2. If the D^{term} PS cannot be called as when the D^{term} PS user is out of the service area, an announcement can be provided to the calling party. (The DAT package is required for the caller and called node.) If the called D^{term} PS is out of the service area, OUT OF CELL INDICATION is activated.
3. When all the speech channels of the zone transceiver in the Calling Area are busy, either ANNOUNCEMENT - PS OUT OF CELL or CALL FORWARDING - PS OUT OF CELL is activated, if allowed in the D^{term} PS service feature class. If not allowed in the service feature class, the D^{term} PS user receives Reorder Tone.
4. PS AUTHENTICATION is activated for every call termination.
5. The answering options, the any-key answering mode and the automatic answering mode can be selected by the D^{term} PS user using the FNC key.

H-23

Handover

General Description

When speech transmission quality becomes inferior, the D^{term} PS re-originates a call automatically and seizes another radio channel, making the PBX hand the call over to another zone transceiver to maintain speech quality.

Operating Procedure

No manual operation is required. The D^{term} PS series automatically sends HANDOVER request to the PBX.

Service Conditions

1. This service is activated when the D^{term} PS is engaged in communication.
2. The communication may be interrupted when the PBX hands the call over. The interruption is usually within a second, to a maximum of ten seconds.
3. This service is also available when a D^{term} PS user moves to the far end of the radio zone and encounters inferior transmission quality. In this case, the D^{term} PS searches for the radio zone with the stronger electric field, and if the radio zone is found, HANDOVER is activated and the conversation is continued in that zone. If there is no idle channel in the new radio zone, the conversation is continued in the current zone until the communication becomes unavailable, and AUTOMATIC RELEASE - OUT OF CELL CALLS is activated.
4. PS AUTHENTICATION is activated every time this service is activated.
5. In a FCCS network, inter-node HANDOVER is available within the identical PCN.

D-154

DTMF Signal Sender

General Description

This service allows the D^{term} PS series user to send the PB signal (tone) to the called party (terminal, voice mail system, etc.) while engaged in communication.

Operating Procedure

To send the DTMF signal

1. Press a key while engaged in communication. The PBX automatically sends the corresponding signal tone to the called party.

Service Conditions

1. When the DTMF signal is sent, there may be an interruption in communication.
2. The DTMF signal tone varies between 64 ms to 72 ms.
3. When this service is activated, the number pressed is displayed on the LCD (clearing the called party number previously displayed). The LCD display is cleared after 20 seconds, but the called party number will not be displayed again.

C-156

Consultation Hold

General Description

This service allows the D^{term} PS user to place a call on hold. Only that D^{term} PS user can retrieve the held call.

Operating Procedure

To place a call on hold

1. While engaged in a call, press the TRF or F2 key; receive Special Dial Tone. The called number displayed on the LCD while engaged in a call will go out when the TRF or F2 key is pressed. The called party hears music via the external source.
2. To retrieve the call, press the TRF or F2 key again. The called party number will not be displayed on the LCD again.

Service Conditions

1. When the D^{term} PS user presses the END key while holding the call without dialing any key, the held party receives Reorder Tone and the connection is released. If the D^{term} PS user has dialed one or more keys before pressing the END key while holding the call, the user is called back.

F-34

Flexible PS Numbering

General Description

Each D^{term} PS series is assigned an unique number.

Operating Procedure

No manual operation is required. The data is entered via the maintenance administration terminal.

Service Conditions

1. A maximum of nine digits can be assigned for a D^{term} PS number, including # and *. The D^{term} PS numbers must be assigned in uniform number of digits.

P-64

P-65

PS Service Class

PS Restriction Class

General Description

This service permits all the D^{term} PS series to be assigned a class of service in accordance with the degree of the system use desired.

Operating Procedure

No manual operation is required.

Service Conditions

1. The route service class is assigned to determine the accessibility to the following service features.
 - ANNOUNCEMENT - DON'T ANSWER
 - ANNOUNCEMENT - PS OUT OF CELL
 - CALL FORWARDING - DON'T ANSWER
 - CALL FORWARDING - PS OUT OF CELL
 - CENTREX COMPATIBILITY
2. Each D^{term} PS is assigned a service feature class to determine which of the following service features the D^{term} PS will be permitted to activate.
 - CALL TRANSFER
 - CALL WAITING - TERMINATING
 - CENTREX COMPATIBILITY
 - ANNOUNCEMENT SERVICE
 - ANNOUNCEMENT - DON'T ANSWER/CALL FORWARDING - DON'T ANSWER
 - ANNOUNCEMENT - PS OUT OF CELL/CALL FORWARDING - PS OUT OF CELL
 - TRUNK LINE APPEARANCE
 - a.) ANNOUNCEMENT SERVICE /ANNOUNCEMENT - DON'T ANSWER/CALL FORWARDING - DON'T ANSWER/ANNOUNCEMENT - PS OUT OF CELL/ANNOUNCEMENT - DON'T ANSWER - When the restricted D^{term} PS user dials the service access code, the user receives Reorder Tone. If the CALL FORWARDING - INTERCEPT/ANNOUNCEMENT service is set, the announcement notifying the user that an invalid number was reached will be sent.
 - b.) CALL TRANSFER - When a restricted D^{term} PS attempts Call Transfer (pressing of the TRF/FLASH key), the operation will be ignored.
 - c.) CALL WAITING - TERMINATING - When Call Waiting is attempted to the restricted D^{term} PS which is busy, the calling party receives Reorder Tone.
 - d.) CENTREX COMPATIBILITY - The switch hook flash operation will be invalid.
 - e.) TRUNK LINE APPEARANCE - When the restricted D^{term} PS user attempts to originate a call via the TRUNK LINE APPEARANCE service, the user receives Reorder Tone.
3. Each D^{term} PS is assigned a service restriction class linking to that of the PBX to restrict the user from placing CO outgoing calls, etc. There are 15 classes and these classes are assigned in the system parameters (traveling class mark). Refer to DIRECT OUTWARD DIALING RESTRICTION (3-9) for more details.

P-66

PS-to-Station Calling

General Description

This service allows the D^{term} PS series user to place a call to a PBX station, and vice versa.

Operating Procedure

To place a call using OVERLAP DIALING

1. Press the SEND or L1 key; receive Dial Tone.
2. Dial the desired number; receive Ringback Tone.

To place a call using PRESET DIALING

1. Dial the desired number, then press the SEND L1 key; receive Ringback Tone.

Service Conditions

1. The dialed digits are sent out in the following timing:
 - a.) when the NEAX2400 IPX recognizes the last digit according to the numbering plan
 - b.) if the NEAX2400 IPX cannot recognize the last digit, ten seconds after the last digit is dialed (inter-digit timer time-out).

S-131

Stack Dialing - Station

General Description

This service allows the D^{term} PS series user to store the last five numbers dialed and to redial the numbers by pressing the REDIAL/PAUSE or F3 key.

Operating Procedure

To store the number

1. Using either OVERLAP DIALING or PRESET DIALING, dial the desired number. The number dialed is stored automatically.

To redial the stored number using OVERLAP DIALING

1. Press the SEND or L1 key, then REDIAL/PAUSE or F3 key; the newest stored number is displayed on the LCD digit by digit, moving from right to left. The displayed number is dialed automatically.

To redial the stored number using PRESET DIALING

1. Press the REDIAL/PAUSE or F3 key; the stored number is displayed on the LCD digit by digit, moving from right to left. By pressing the REDIAL/PAUSE or F3 key repeatedly, the second and the third numbers will be displayed successively.
2. When the desired number is displayed, press the SEND or L1 key. The number is dialed automatically.

Service Conditions

1. A maximum of 40 digits (the numbers 0 to 9, #, *, and the function keys) can be stored.
2. The numbers are stored in the memory in the order they are dialed. If the number identical to the one in the memory is dialed, that number is recognized as the newest number, and the one already stored will be erased. (Regardless of the number of times the same number is dialed, it is stored only once.)

S-132

Speed Calling - Station

General Description

This service allows the D^{term} PS series user to dial certain frequently called numbers using 2-digit abbreviated call codes.

Operating Procedure

The Speed Calling data is set via the user definable data assignment. For detailed operation, refer to the D^{term} PS User Guide.

Service Conditions

1. Each abbreviated call code can store a maximum of 40 digits (the numbers 0 to 9, #, *, and the function keys).
2. A maximum of 20 call codes can be assigned.
3. If PRESET DIALING, when a wrong number is dialed, it can be cleared by the CLR or CLEAR key.

A-128 Automatic Announcement - Disconnected PS Out Of Zone

General Description

When a talking D^{term} PS series user moves Out of Zone, that is, the Wireless service area, to have the progressing call disconnected, the counterpart hears the announcement that the talks are disconnected due to the talking party moving Out of Zone. This also can apply when the power of either D^{term} PS is OFF.

Operating Procedure

No manual operation is required.

Service Conditions

1. This service is valid only in a two-party call. This service cannot be used when a call is placed on hold or conference calling participated in by three-party or more is in progress.
2. DAT (Digital Announcement Trunk) circuit card can be used as an announcement trunk.
3. AUTOMATIC ANNOUNCEMENT - DISCONNECTED PS OUT OF ZONE is not applied to the cases where calls are in progress via a COT line or Attendant Console. A C.O. line subscriber hears Reorder Tone and a caller via the Attendant Console encounters Busy Tone.
4. In a FCCS network, every node must have one or more announcement trunk(s).

A-129 Automatic Announcement - Called PS Out of Zone

C-155 Call Forwarding PS Incoming Call Incomplete

General Description

When a call cannot be terminated due to the called D^{term} PS series which is Out of ZT or whose power is OFF, the system automatically answers the call and provides an announcement to notify the calling party that the called D^{term} PS is Out of Zone or if the CALL FORWARDING PS INCOMING CALL INCOMPLETE is set to a given destination, the aborted call can be transferred to the pre programmed station or D^{term} PS.

Operating Procedure

No manual operation is required.

Service Conditions

1. CALL FORWARDING PS INCOMING CALL INCOMPLETE can be programmed and cancelled by the D^{term} PS with pressing Access Code + transferred telephone number. **Note**
2. In the case where the D^{term} PS is Out of Zone, or its power is OFF, and the call is an incoming call from the Central Office directly or the Central Office call via the Attendant Console, the caller does not hear AUTOMATIC ANNOUNCEMENT - CALLED PS OUT OF ZONE, and hears the following tones.
 - DIT: Ringback Tone is heard
 - REMOTE ACCESS TO SYSTEM: Busy Tone is heard
 - AUTOMATED ATTENDANT: Busy Tone is heard
 - ATTENDANT CONSOLE: Busy Tone is heard
 - ISDN - DID ADDRESSING: Announcement of ISDN (PSTN) is heard.
3. One system is given one kind of recorded message for AUTOMATIC ANNOUNCEMENT - CALLED PS OUT OF ZONE.
4. On the condition that both AUTOMATIC ANNOUNCEMENT - CALLED PS OUT OF ZONE and CALL FORWARDING PS INCOMING CALL INCOMPLETE are assigned to a D^{term} PS, priority is given to CALL FORWARDING PS INCOMING CALL INCOMPLETE.
5. If an incoming call terminated at the very moment when a D^{term} PS series user is setting CALL FORWARDING PS INCOMING CALL INCOMPLETE with a Pre-Set Dialing (before OFF-HOOK), the procedure so far becomes invalid.
6. If the another transfer service is set to the target destination party of CALL FORWARDING PS INCOMING CALL INCOMPLETE, the call is transferred to the last end party.
7. When a call is transferred to another D^{term} PS activated by CALL FORWARDING PS INCOMING CALL INCOMPLETE and when the call termination is not completed, the call can be transferred to another destination party if the CALL FORWARDING PS INCOMING CALL INCOMPLETE is set. If the AUTOMATIC ANNOUNCEMENT - CALLED PS OUT OF ZONE is assigned, the caller hears the announcement. When both CALL FORWARDING PS INCOMING CALL INCOMPLETE and AUTOMATIC ANNOUNCEMENT - CALLED PS OUT OF ZONE are not programmed, the caller hears Busy Tone.
8. AUTOMATIC ANNOUNCEMENT - CALLED PS OUT OF ZONE does not allow the incoming call from outside to be connected to announcement trunk. The calling party hears Ringback Tone.

Service Conditions (cont'd)

9. The incoming incomplete call to a D^{term} PS can be transferred to other D^{term} PS's, stations, Attendant Consoles, Central Office and TIE lines when CALL FORWARDING PS INCOMING CALL INCOMPLETE is in service.
10. The timer value of incoming incomplete call is approximately eight seconds, time duration until the system recognizes that the D^{term} PS is Out of Zone from an incoming call attempt to the D^{term} PS.
11. CALL FORWARDING PS INCOMING CALL INCOMPLETE is not activated in the case of the incoming call from ISDN and the incoming call via the Attendant Console. The caller encounters AUTOMATIC ANNOUNCEMENT - CALLED PS OUT OF ZONE or Busy Tone.
12. When a forwarded station for CALL FORWARDING PS INCOMING CALL INCOMPLETE sets CALL FORWARDING - ALL CALLS to the announcement, CALL FORWARDING PS INCOMING CALL INCOMPLETE is not activated but the caller hears Busy Tone.
13. In a FCCS network, every node must have one or more Announcement Trunk.
14. When incoming call comes from ISDN network, and the timer (T310) of the network side is expired, the caller may hear the Announcement from network side.
15. In a FCCS network, CALL FORWARDING destination station must have a telephone number.

Note: *CALL FORWARDING PS INCOMING CALL INCOMPLETE is cancelled by system initialization if the data is not saved on the Hard Disk.*

D-155 D^{term} PSII Two Line Operation

General Description

This feature allows for the appearance of two lines on the line (L1 and L2) keys of the PS.

Operating Procedure

No manual operation is required.

Service Conditions

1. This feature is available for Series 7300 or later software.
2. Two kinds of lines can appear on the PS: My Line and Sub Line. These lines are associated with the telephone numbers assigned to the port on the interface circuit.
 - L1 key: My Line
 - L2 key: SubLine
3. When a PS becomes Out of Zone state while terminating to Sub Line, the call is disconnected by release timer about one minute after.
4. When a PS user places a call on hold and presses the END key, the line lamp on the PS goes OFF. The PS is recalled when the recall timer expires.
5. Voice Mail Indication (VMI) is not available for Sub Line.
6. When a PS is connected to a PS, Dual Hold is not available.
7. Blind Transfer to Sub Line is not available.
8. When one Line is connected, Blind Transfer to the other line is not available.
9. When transferring a call from a PS, the PS cannot place the third party on Hold. The PS cannot activate Call Hold while connected with the station holding another call.
10. A PS cannot activate Call Hold when:
 - a.) Call Waiting is set to the PS
 - b.) the PS sets Call Waiting
 - c.) Call Waiting is set to the station connected with the PS
11. Call Waiting cannot be activated while the called PS is placed on Hold.

N-43 Name Display - Intra-Node Call

General Description

This feature allows a PS to indicate user information corresponding to the calling Physical Station Number while engaged in a station-to-station call.

Operating Procedure

- When originating a station-to-station call:

LCD display of the calling station:

H. TARO		
DIR	SPD	LNR

LCD display of the called station:

H. TARO		
DIR	SPD	LNR

- When a station call has been transferred to another station by Call Forwarding - All Calls/Busy Line/Don't Answer/PS - Incoming Incomplete:

LCD display of the calling station:

CF:	H. TARO	
DIR	SPD	LNR

LCD display of the called station:

CF:	M. TARO	
DIR	SPD	LNR

Service Conditions

- This feature is available for Series 7300 or later software.
- User information corresponding to the Physical Station Number that can be displayed on the LCD is a maximum of 16 digits.
- User information is displayed on the LCD, indented to the left. The information may consist of English alphabets, numeric characters, and most keyboard symbols.
- When user information is 12 digits or more, the first or last part of information can be displayed by key operation (Refer to the User Guide for the PS).
- This service and NAME DISPLAY by Open Application Interface cannot be activated concurrently.
- This service and NAME DISPLAY service for D^{term}s can be activated concurrently.
- Eight-digit display or 16-digit display is selectable by System Data, but cannot be used concurrently.
- If the PS station has no name programmed for NAME DISPLAY - INTRA-NODE CALL service, the Physical Station Number is displayed in the name field.
- NAME DISPLAY - INTRA-NODE CALL is available for Station-to-Station Connection, Call Forwarding - All Calls/Busy Line/Don't Answer/PS - Incoming Incomplete, Call Waiting, and Call Transfer.

N-44 Name Display - Intra-Node Call - CCIS

General Description

Between CCIS nodes this feature allows the calling or called party information to be displayed on the LCD of a PS.

Operating Procedure

- When originating a call:
LCD display of the calling station:

H. TARO		
DIR	SPD	LNR

LCD display of the called station:

H. TARO		
DIR	SPD	LNR

- When a call has been transferred to another station by CALL FORWARDING - ALL CALLS/BUSY LINE/DON'T ANSWER/PS - INCOMING INCOMPLETE:
LCD display of the calling station:

H. TARO		
DIR	SPD	LNR

LCD display of the called station:

CF:	M. TARO	
DIR	SPD	LNR

Service Conditions

- This feature is available for Series 7300 or later software.
- User information corresponding to the Physical Station Number that can be displayed on the LCD is a maximum of 16 digits.
- User information is displayed on the LCD, indented to the left. The information may consist of upper case letters, numeric characters, and most keyboard symbols.
- When user information is 12 digits or more, the first or last part of information can be displayed by key operation (Refer to the User Guide of PS).
- This service and NAME DISPLAY by Open Application Interface cannot be activated concurrently.
- This service and NAME DISPLAY service for D^{term}s can be activated concurrently.
- Eight-digit display or 16-digit display is selectable by System Data, but cannot be used concurrently.
- If the PS station has no name programmed for NAME DISPLAY - INTRA-NODE CALL - CCIS service, "Office Code + Physical Station Number" is displayed in the name field.
- NAME DISPLAY - INTRA-NODE CALL - CCIS is available for Tie Line Connection, Call Forwarding - All Calls/Busy Line/Don't Answer/PS - Incoming Incomplete, Call Waiting, and Call Transfer.

N-45 Number Sharing

General Description

This feature allows the D^{term} user to use a PS as a Sub Station. In this feature, the D^{term} and PS are referred as Main Station and Sub Station, respectively. The main functions of this feature are as follows:

1. Call Forwarding - All Calls to PS - When the D^{term} (Main Station) user presses the feature key or dials the access code, Call Forwarding - All Calls to PS (Sub Station) is set or cancelled. This function can also be set or cancelled by dialing the access code from the PS (Sub Station).
2. D^{term} - Telephone Number Display - Even if a call is connected to the PS (Sub Station), the telephone number of the D^{term} (Main Station) is displayed on the other party's LCD.
3. Billing Information - Even if a call is originated from the PS (Sub Station), billing information is recorded as a call origination from the D^{term} (Main station).
4. Voice Mail Indication - Even if a call is transferred from the PS (Sub Station) to the Voice Mail System, the voice mail is recorded on the mail box of the D^{term} (Main Station). The system controls Message Waiting Indication on both the D^{term} (Main Station) and PS (Sub Station).

Operating Procedure

To set from the D^{term}

1. While in idle state, press the feature key for this feature. The PS Transfer lamp lights on the D^{term} (Main Station).
2. All the calls to the D^{term} (Main Station) are forwarded to the PS (Sub Station).

To cancel from the D^{term}

1. While the Sub Station Transfer lamp lights, press the feature key for this feature. The PS Transfer lamp goes off on the D^{term} (Main Station).
2. This feature is cancelled.

To set from the PS

1. While in idle state, dial the access code for this feature and receive Service Set Tone. The PS Transfer lamp lights on the D^{term} (Main Station).
2. All the calls to the D^{term} are forwarded to the PS (Sub Station).

To cancel from the PS

1. While this feature is set, dial the cancel code for this feature and receive Service Set Tone. The PS Transfer lamp goes off on the D^{term} (Main Station).
2. This feature is cancelled.

Service Conditions

1. This feature is available for Series 7300 or later software.
2. A telephone number must be assigned to both Main and Sub Stations.
3. The PS cannot be assigned as Main Station.
4. Any combination of Main Station and Sub Station is available in a FCCS network.
5. The access code for an outgoing call cannot be assigned as a telephone number of the Sub Station.
6. Dialing the access code for this feature is available only for Main Station and Sub Station. Any other station or trunk cannot set this feature.
7. The D^{term} user can set this feature using any line on the D^{term}. Even if the D^{term} user sets this feature using a sub line, this feature is set to My Line.
8. The "PS Transfer" key is available only when the D^{term} is in idle state.

Service Conditions (cont'd)

9. When this feature is set while a call is terminating to Main Station, the call is not transferred to Sub Station. In this case, this feature is available from the next call.
10. Message Waiting Lamp control by MESSAGE REMINDER or CMWL command is applied only to the called/designated station.
11. Even if this feature is set, recall to Main Station is not forwarded to Sub Station.
12. Forwarding operation of this feature is not counted in Multiple Call Forwarding features.
13. When a call is originated from Sub Station to OAI or MFC, the Sub Station number is sent.

Interactions

1. This feature takes precedence over the Call Forwarding, Do Not Disturb and Station Hunting features set to Main Station.
2. When this feature is set, all the calls are forwarded to Sub Station even if CALL BLOCK [C-150] is set to Main Station.
3. Off-Hook Line Number Display feature of the PS is independent of this feature.
4. MW indication for Sub Station is available for My Line of the D^{term} - PSII only.
5. When a Main Station is in a Station Hunting group, this feature can be activated only if the Main Station is the pilot station.

V-24 Voice Mail Indication (VMI)

General Description

This feature allows the system to notify a PS that a voice mail has been received.

Operating Procedure

No manual operation is required.

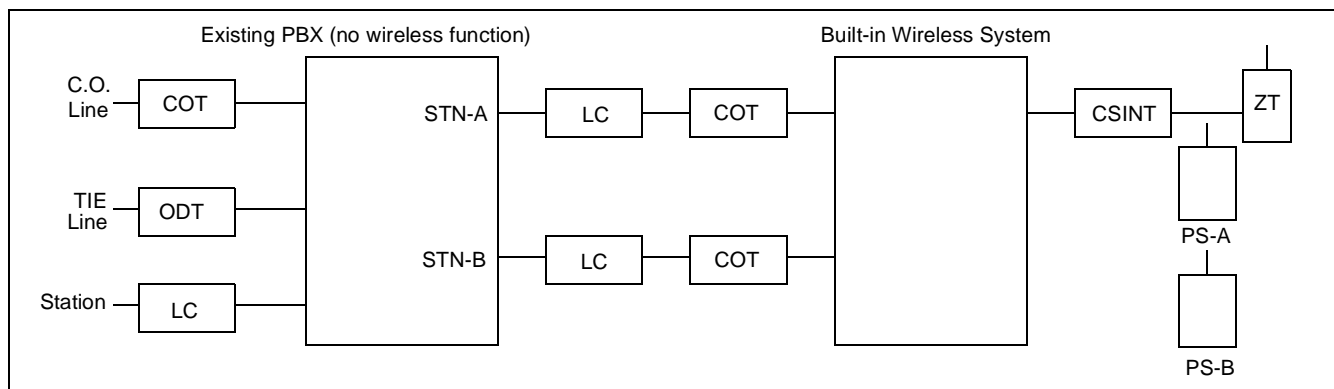
Service Conditions

1. This feature is available for Series 7300 or later software.
2. When a voice mail is received while the PS user is in conversation, the system notifies the PS after the conversation ends.
3. When voice mails for multiple PS users are simultaneously received, each node can notify a maximum of 240 PSs. For the other PSs, notification is given at the time of PS Location Registration or end of call.
4. When a notification is given at the time of PS Location Registration or end of call, further notifications to the same PS are not given unless the PS user accesses the voice mail system.
5. When a notification could not be terminated to a PS because of PS Out of Zone etc., the system notifies again after four minutes.
6. This service and Open Application Interface (OAI) cannot be activated concurrently.

W-8 Wireless Analog Adjunct Connection

General Description

This feature allows the existing PBX (no wireless function) to operate a PS as well as a station in the office. Each PS is connected with the dedicated COT in the Built-in Wireless system. When a call is originated from the PS, it terminates to the LC in the existing PBX via the corresponding COT and is handled by the existing PBX.



Operating Procedure

No manual operation is required.

Service Conditions

1. Only DTMF signals can be sent to the existing PBX.
2. Only one COT circuit card must be assigned for one PS.
3. When an incoming call terminates from the existing PBX to a PS via the LC → COT, if the terminating PS is busy or out of zone, call termination is performed again.

Note: *The calling party hears Ringback Tone without condition. While Ringback Tone is sent, the Built-in Wireless System attempts the call termination to the called PS periodically and ring the PS when the PS becomes available.*

4. The distinctive ringing service is not provided when a call terminates to the PS.
5. When the Speed Calling - System/Station service is activated using Overlap Dialing including the access code, the number dialed may not be stored for redialing.
6. Whether or not Call Forwarding services (Call Forwarding - All Calls/Busy Line/Don't Answer) by the access code are available depends on the system data of the existing PBX. The Call Forwarding service set by access code is activated only when the call terminates to the corresponding LC in the existing PBX.
7. The CALL FORWARDING PS INCOMING CALL INCOMPLETE [C-155] service cannot be set to a PS.
8. When a call terminates from the existing PBX to the PS out of zone, the AUTOMATIC ANNOUNCEMENT - CALLED PS OUT OF ZONE [A-129] service cannot be activated. (The calling party continues to hear Ringback Tone.)
9. When the PS engaged in a connection via the existing PBX moves Out of Zone, the AUTOMATIC ANNOUNCEMENT - DISCONNECTED PS OUT OF ZONE [A-128] service is not provided. (The calling party hears Reorder Tone.)
10. This feature is not available in the FCCS network.

Service Conditions (cont'd)

11. When a call terminates to the PS using this feature, the calling number is not displayed on the PS.
12. The following PBX services are available for PS's using this feature:
 - C.O. call origination
 - C.O. call termination
 - Intra-office services
 - Common, the other services
 - ISDN service
 - Network service
 - Call charging management service
 - Maintenance administration service

I-41

ISDN Roaming

General Description

This feature allows PS to move to another PBX which has a different SYS-ID via Q.931a connection. The PBX which PS can roam from/to is assigned Network Number (NWN). Network Number must be assigned as a unique number for each network.

Operating Procedure

1. PS moves to another PBX which has a different SYS-ID.
2. PS registers its location automatically to the Home PBX at the Visitor PBX via Q.931a connection.
3. PS can originate a call from the Visitor PBX.
4. A call terminating to the PS is transferred from the Home PBX to the Visitor PBX via Q.931a connection.

Service Conditions

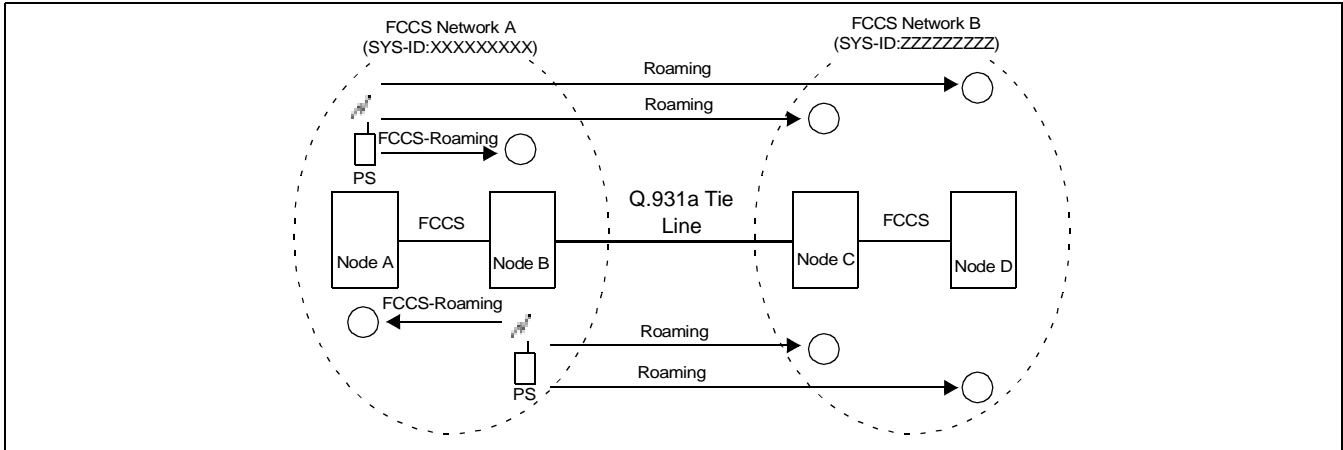
1. This feature is available for the Series 7300 software.
2. This feature is available between the PBXs which are connected via Q.931a.
3. PS in the Visitor PBX cannot move to another PBX via FCCS connection.
4. SMDR outputs the PS number instead of the account code when the PS is in the Visitor PBX.
5. In the Visitor PBX, PS cannot use supplementary services which need service access code. However, TRANSFER, CALL HOLD and some ANNOUNCEMENT SERVICE are available.
6. If there is a TS between the Home PBX and Visitor PBX, the TS must also have the roaming feature.
7. CF - All Calls/Busy Line/PS Incoming Call Incomplete
 - a.) CF - All Calls - If PS assigns CF - All Calls at the Home PBX, all the terminating calls are transferred. PS can also originate a call from the Visitor PBX.
 - b.) CF - Busy Line - If PS is busy in the Visitor PBX, the terminating call is transferred from the Home PBX.
 - c.) CF - PS Incoming Call Incomplete - If call termination to PS is incomplete in the Visitor PBX, the incoming call is transferred from the Home PBX.
8. In the Visitor PBX pseudo PS Physical Station Number (VISITOR PS PHYSICAL STATION NUMBER) must be assigned by System Data. In addition, telephone number for visitor PS Physical Station Number must be assigned.

Note: *Visitor PS Physical Station Number must be the number which is not used in the Visitor PBX for the other Physical Station Number.*

9. The maximum number of PS's includes the number of visitor PS Physical Station Numbers.
10. Roaming PS cannot use Two-Line feature.
11. Roaming PS cannot use Voice Mail Indication (VMI) feature.
12. Roaming PS cannot use OAI features.

Service Conditions (cont'd)

- 13. A PS can move to any node of the FCCS network that has a different SYS-ID, on the condition that a Q.931a Tie Line is established between the different SYS-ID FCCS networks. (Available for Series 7400 software.)



C-161 Call Forwarding - Dropped Calls

General Description

This feature provides a call forwarding function when a PS encounters a Squelch Disconnection (such as PS moving out of zone, failing to hand over a call, or a sudden power down of the PS) during a two-way connection with a station/trunk. If this feature is set, the PS can forward the unexpectedly disconnected call to a pre-assigned forwarding destination, such as a PS, a user of voice mail system, or an analog/D^{term} station, etc.

Note: *This feature is available when CALL FORWARDING PS INCOMING CALL INCOMPLETE is already assigned to the PS.*

Operating Procedure

To set up this feature

1. Pre-set Dialing
 - a.) Dial the access code to set this feature.
 - b.) Go off-hook and hear the Service Set Tone.
 - c.) Go on-hook.
2. Overlap Dialing
 - a.) Go off-hook and hear the Dial Tone.
 - b.) Dial the access code to set this feature.
 - c.) Hear the Service Set Tone.
 - d.) Go on-hook.

To cancel this feature **Note 1**

1. Pre-set Dialing
 - a.) Dial the access code to cancel this feature.
 - b.) Go off-hook and hear the Service Set Tone. **Note 2**
 - c.) Go on-hook.
2. Overlap Dialing
 - a.) Go off-hook and hear the Dial Tone.
 - b.) Dial the access code to cancel this feature.
 - c.) Hear the Service Set Tone.
 - d.) Go on-hook.

Note 1: *This feature also can be cancelled by cancelling CALL FORWARDING PS INCOMING CALL INCOMPLETE. (Refer to Item 3 under Service Conditions.)*

Note 2: *When dialing the cancel access code, which this feature has not be assigned, Reorder Tone is returned.*

Service Conditions

1. This feature can be set at each PS, which is already provided with the CALL FORWARDING PS INCOMING CALL INCOMPLETE feature.
2. The forwarding destination of CALL FORWARDING PS INCOMING CALL INCOMPLETE is also designated as the destination of this feature.
3. This feature also can be cancelled by cancelling CALL FORWARDING PS INCOMING CALL INCOMPLETE. However, CALL FORWARDING PS INCOMING CALL INCOMPLETE is solely cancelled while this feature is maintained, depending on the system data.
4. After this feature is once in service, the function of this feature is still maintained, even if CALL FORWARDING PS INCOMING CALL INCOMPLETE service is restricted.

Service Conditions (cont'd)

5. When a call is currently being transferred by this feature, the forwarded party (not the forwarding destination but the party first connected to the Squelch PS) hears the Ringback Tone.
6. When this feature has been activated during a two-way call between a PS and a station (including PS), the station now being transferred to the forwarding destination, cannot use “TRF” or “HLD” keys (restriction is imposed).
7. This feature can be applied to:
 - a basic two-way connection between a PS and a station (including PS)
 - a basic two-way connection between a PS and a trunk (analog, ISDN, CCIS, TLT)
8. When forwarding destination of this feature can be:
 - a PS
 - an analog/D^{term} station
 - an Attendant
 - a trunk (COT)
 - Tie Line
9. When a call terminates just in the middle of “service set” access code dialing (Pre-set Dialing: before going off-hook), the key operation until this moment goes all null and void.
10. This feature is not available for a two-way connection between a PS and an ATTCOM/DESKCON.
11. When a PS attempts an OG call and it ends up in a Squelch Disconnection before connected to the self-node/other node trunk, this feature is not activated.
12. If a Squelch Disconnection occurs just during the following state, this feature is not activated:
 - A PS is placed on hold during a two-way connection with a station (including PS)
 - A station (including PS) is placed on hold during a two-way connection with a PS
13. When a PS encounters a Squelch Disconnection during a two-way connection with a UCD station, this feature is not available.
14. When this feature is activated and the forwarded party does not answer, the following occurs:
 - When CALL FORWARDING - DON'T ANSWER is assigned at the forwarded party
After a certain period of no answer, the call is shifted to the destination of CALL FORWARDING - DON'T ANSWER.
 - When CALL FORWARDING - DON'T ANSWER is not assigned at the forwarded party
Recall to the Squelch PS is not made, and the forwarded party continues to ring.
15. When a call is forwarded by this feature and also is shifted to another destination, the forwarding kind to be notified to the destination is “CALL FORWARDING PS INCOMING CALL INCOMPLETE”.
16. When this feature is activated, the LCD indication on the D^{term} (forwarded party) is identical to that of CALL FORWARDING PS INCOMING CALL INCOMPLETE.
17. When a Squelch Disconnection occurs simultaneously at both PSs in a two-way connection, this feature is activated by neither PS.
18. The forwarding kind to be reported to MCI is “CALL FORWARDING - DON'T ANSWER”.
19. The assigned data for this feature can be backed up on the HDD/FDD of the PBX.
20. The forwarding destination of this feature is not designated by the system data.
21. This service does not support the unrestricted digital data.
22. Service conditions for two-line D^{term} PS are shown below:
 - a.) This service can be assigned to both lines of this type PS.
 - b.) When a Squelch Disconnection occurs while a line is in a two-way connection and the other line is placed on hold, this service is applied to the former line only (two-way connection line only).

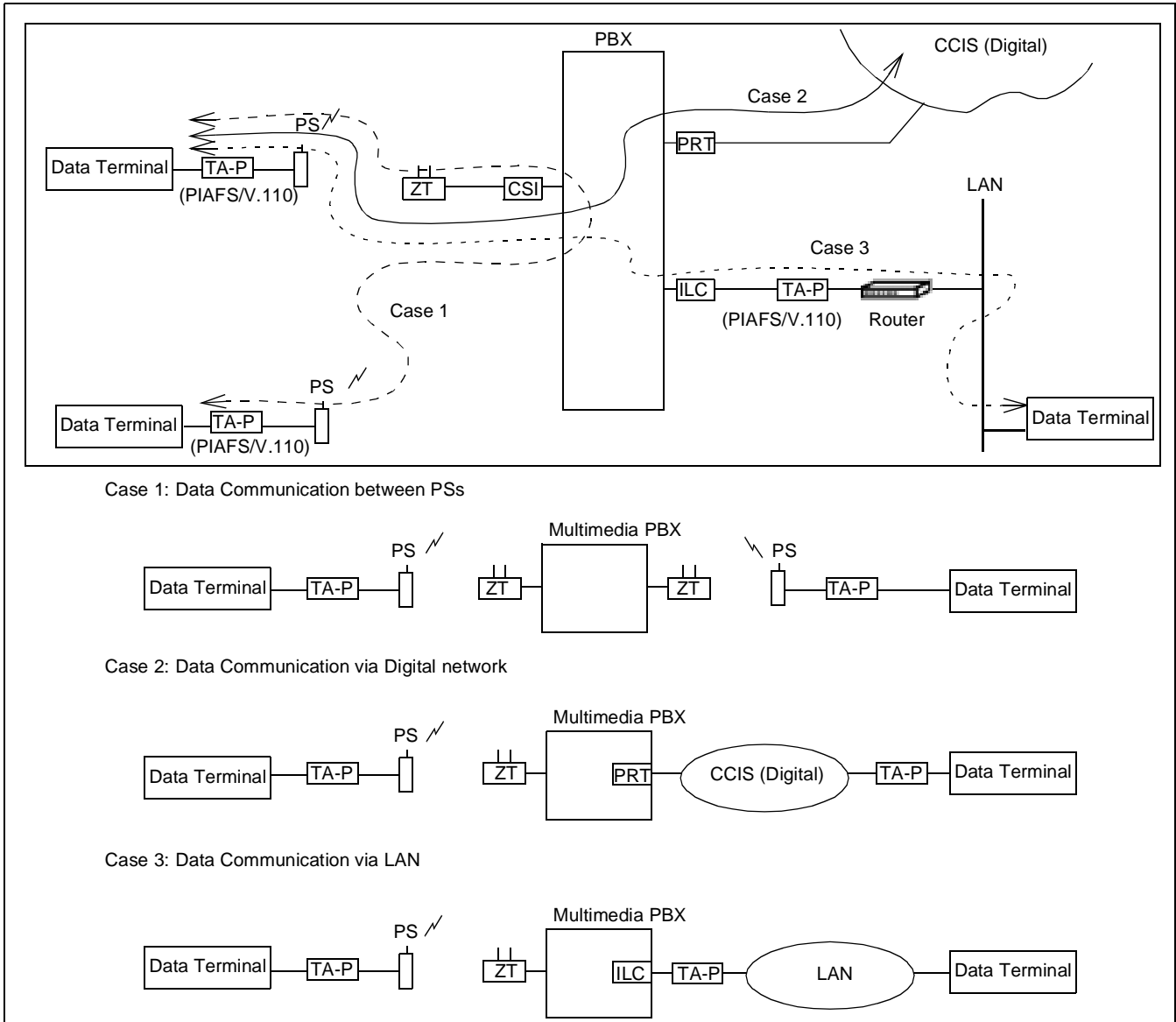
Interactions

1. When a Squelch Disconnection occurs during a two-way connection between a PS and a station (including PS), the following ensue according to the assigned service(s):
 - When AUTOMATIC ANNOUNCEMENT - CALLED PS OUT OF ZONE is assigned to the Squelch PS
The party, not the Squelch PS, hears the announcement.
 - When this feature is assigned to the Squelch PS
The disconnected call is forwarded to the target destination.
 - When this feature and AUTOMATIC ANNOUNCEMENT - CALLED PS OUT OF ZONE are both assigned to the Squelch PS
The disconnected call is forwarded to the target destination, as this feature takes priority over AUTOMATIC ANNOUNCEMENT - CALLED PS OUT OF ZONE.
 - If neither this feature and AUTOMATIC ANNOUNCEMENT - CALLED PS OUT OF ZONE is assigned to the Squelch PS
No measures are taken. The party, not the Squelch PS, hears the Reorder Tone.
2. A call forwarded by this feature can be answered by the CALL PICKUP - GROUP feature.
3. A call forwarded by this feature can be answered by the CALL PICKUP - DIRECT feature.
4. The Call Waiting service is available for the call forwarded by this feature.
5. When a PS moves to a visitor PBX (when roaming) and it encounters a Squelch Disconnection, this feature is not activated.

I-40 ISDN Data Communications - 32 kbps

General Description

This feature enables a data terminal connected to a PS to develop the data communications via the 32 kbps unrestricted digital network. By using this feature, the PS-connected terminals can communicate with the TA equipment available for V.110 or PCS Internet Access Forum Standard (PIAFS) and also with the terminals available via LAN. See the example below:



General Description

Bearer Capability

Between the PBX and ZT, the following message conversion is performed:

1. When originating via Wireless (Low Layer Compatibility element = Without User Information Layer 1 Protocol)

	ELEMENT	PS	AFTER CONVERSION
Bearer	Information Transfer Rate	32 kbps	64 kbps
	User Information Layer 1 Protocol	-	V.110
	User Rate	-	32 kbps
Low Layer Compatibility	Information Transfer Rate	32 kbps	64 kbps

2. When originating via Wireless (Low Layer Compatibility element = With User Information Layer 1 Protocol)

	ELEMENT	PS	AFTER CONVERSION
Bearer	Information Transfer Rate	32 kbps	64 kbps
	User Information Layer 1 Protocol	-	-
	User Rate	-	-
Low Layer Compatibility	Information Transfer Rate	32 kbps	64 kbps
	User Information Layer 1 Protocol	V.110	V.110

3. When terminating to Wireless (Low Layer Compatibility element = Without User Information Layer 1 Protocol)

	ELEMENT	INCOMING STN/TRK	AFTER CONVERSION
Bearer	Information Transfer Rate	64 kbps	32 kbps
	User Information Layer 1 Protocol	V.110	-
	User Rate	32 kbps	-
Low Layer Compatibility	Information Transfer Rate	64 kbps	32 kbps

4. When terminating to Wireless (Low Layer Compatibility element = With User Information Layer 1 Protocol)

	ELEMENT	PS	AFTER CONVERSION
Bearer	Information Transfer Rate	64 kbps	32 kbps
	User Information Layer 1 Protocol	-	-
	User Rate	-	-
Low Layer Compatibility	Information Transfer Rate	64 kbps	32 kbps
	User Information Layer 1 Protocol	V.110	V.110

Operating Procedure

Use the ATD command for data sending (origination) and the ATA command for answering.

Service Conditions

Conditions between PBX and ZT

1. Only CCITT standardized rate adaption, V.110 or X.30, can be used as the User Information Layer 1 Protocol in case of data termination.
2. Allowed User Rate of the Bearer is 32 kbps only.
3. The sub-line of the two-line D^{term} PS does not provide this feature (both origination and termination are restricted).

Conditions by PS

1. This feature does not support the CALL FORWARDING - DROPPED CALLS [C-161] / AUTOMATIC ANNOUNCEMENT - DISCONNECTED PS OUT OF ZONE [A-128] / AUTOMATIC ANNOUNCEMENT - CALLED PS OUT OF ZONE [A-129] feature. Accordingly, if a PS is once out of zone, any of these features are not provided.
2. Data communication (originating) is not available by using the TRUNK LINE APPEARANCE feature.
3. The Call Waiting service is not available for the PS which is just engaged in data communication.
4. CALL FORWARDING - BUSY LINE, assigned to a PS, does not function if the PS is just engaged in data communication. Accordingly, if the communication is in progress, the third incoming call (including that by another data terminal) is not forwarded to the target destination (i.e. disconnected).
5. CALL FORWARDING - DON'T ANSWER, assigned to a PS, does not function if the PS is just engaged in data communication. Accordingly, if the communication is in progress, the third incoming call (including that by another data terminal) is not forwarded to the target destination (i.e. disconnected after a certain period of time).
6. CALL FORWARDING - ALL CALLS, assigned to a PS, does not function if the PS is just engaged in data communication. Accordingly, if the communication is in progress, the third incoming call (including that by another data terminal) is not forwarded to the target destination (i.e. disconnected).

A-137 Authorization Code - D^{term} PSII

General Description

An AUTHORIZATION CODE is a numerical code dialed by PS users (up to ten digits), which will override the station CLASS OF SERVICE - INDIVIDUAL [C-15] for facility access restriction.

Operating Procedure

Procedure 1

- With feature Access Code
 1. Go on-hook and receive Dial Tone.
 2. Enter the feature Access Code and receive Service Set Tone.
 3. Enter the AUTHORIZATION CODE (up to ten digits).
 4. Receive Dial Tone.
 5. Enter the number to be called.

Procedure 2 (only for LEAST COST ROUTING [L-5] calls)

- Without feature Access Code
 1. Go on-hook and receive Dial Tone.
 2. Enter the number to be called.
 3. If an AUTHORIZATION CODE is required, the caller will receive Special Dial Tone.
 4. If Special Dial Tone is received, enter the AUTHORIZATION CODE (up to ten digits) or the call is denied.

Note: *The feature access code for AUTHORIZATION CODE is a maximum of three digits.*

Service Conditions

1. Feature restriction classes of the following services cannot be overridden using this feature.
 - PAD LOCK
 - Authorization Code Display Elimination
2. The following are conditions when using My Line (L1) and Sub Line (L2) simultaneously. (Two-Line Operation)
 - When one line is connected and the other line is held, the class of the held line is not changed (remains the class before changeover) and it is changed after returning to the original call.
 - When both lines are held, the class changeover of earlier-held line is invalid.
3. Users cannot use the ISDN DATA COMMUNICATIONS - 32 kbps service using Authorization Code.
4. Visitor PS of “TTC Q.931a protocol Tie Line with PCS Roaming” is not available.

C-166

Call Park - D^{term} PSII

General Description

This feature enables a PS user to “Park” a call (C.O. line, Tie Line, station and PS) by hooking and dialing a Call Park Access Code, and by dialing the Call Park retrieval code and the telephone number that parked a call, the parked call can easily be retrieved from any PS/Station within the system. If the user forgets to retrieve the parked call, the automatic recall function informs the user.

Operating Procedure

To park a call from PS

1. Go hooking (press TRF key).
2. Receive Special Dial Tone.
3. Dial the Call Park Access Code.
4. Receive Service Set Tone.
5. Replace the handset.

To retrieve a parked call from the originating station

- Overlap sending procedure
 1. Go off-hook.
 2. Receive a Dial Tone.
 3. Dial the Call Park local retrieval code.
 4. The parked call is reconnected.
- Enbloc sending procedure
 1. Dial the Call Park local retrieval code.
 2. Go off-hook.
 3. The parked call is reconnected.

To retrieve a parked call from a different station

- Overlap sending procedure
 1. Go off-hook.
 2. Receive Dial Tone.
 3. Dial the Call Park remote retrieval code and the number of the station that parked the call.
 4. The parked call is reconnected.
- Enbloc sending procedure:

When access code operation using enbloc sending is invalid

 1. Dial the Call Park remote retrieval code.
 2. Go off-hook.
 3. Dial the number of the station that parked the call.
 4. The parked call is reconnected.

When access code operation using enbloc sending is valid:

 1. Dial the Call Park remote retrieval code and the number of the station that parked the call.
 2. Go off-hook.
 3. The parked call is reconnected.

Service Conditions

1. This feature is also available for Sub Line (L2) of a two-line D^{term} PS (by using Two-Line Operation).
2. The parked PS cannot hold a terminal.
3. A PS can park only one call at a time.
4. A PS cannot park an Attendant Console.
5. When the Call Park key of Attendant Console key pattern is valid, and the Attendant Console is parking a PS, the Attendant Console operator can retrieve the PS by dialing the Access Code and Individual Attendant Identification number which is assigned by "Individual Attendant Access).

Note: *An Attendant Console is not made to recall.*

6. When a PS which parks a call does not retrieve the call, it is recalled after fixed time which depends on Automatic Recall Timer. When a PS parks a call via C.O. line and then the C.O. side goes on-hook, PBX does not detect the release; however, the COT can be released by Automatic Recall Timer.
7. This feature can be used with all PSs within the system (depending on Service Feature Restriction Class).
8. When the parked PS encounters the squelch disconnection, CALL FORWARDING - DROPPED CALLS is not available even though it is set.
9. If the PS recalled by Automatic Recall Timer is out of zone, the parked PS user receives Reorder Tone (ROT).
10. If the parked PS moves out of zone, it is disconnected.
11. The condition of "TTC Q.931a protocol Tie Line with PCS Roaming" is shown below.

	HOME PBX	VISITOR PBX
PS parks a call	Available	Not Available
PS retrieves a call	Available	Not Available
PS is parked by terminal	Available	Available

Note 1: *When a visitor PS originates a call to PS/Station that belongs to the same office, the visitor PS cannot be parked.*

Note 2: *When a PS which parked a terminal moves to the visitor office, and then it is recalled by Automatic Recall Timer, the terminal receives Reorder Tone.*

12. When programming this feature, telephone numbers should be used.

Interactions

The following features cannot be activated to a PS/Station that has been set Call Park:

- BUSY VERIFICATION
- CALL WAITING
- ATTENDANT CAMP-ON WITH TONE INDICATION
- EXECUTIVE RIGHT OF WAY - D^{term}

G-23 Group Call - Automatic Conference (20-Party)

General Description

This feature enables a PS user to call a maximum of “20-Party (self + other 19 members)” conference, only by dialing a pre-programmed Group Calling Conference Number. If the Group Calling Conference Number is once dialed, the member PSs/Stations are automatically called in assigned order at the interval of every two seconds. This feature also allows the Station Hunting Group - Circular, and the use of Phantom Telephone Number(s) which is available for flexible arrangement of conference member tables.

Operating Procedure

1. Dial the Group Calling Conference Number (telephone number/Phantom Telephone Number of conference leader port).
2. The conference leader hears Ringback Tone.
3. When the first party (conferee) answers, Ringback Tone stops, and the conference is in progress.
4. The called parties (conferees) participate in the conference one after another after answering the call.

Note: *While the conference is in progress, the called party may be released to get out of the conference.*

5. When the conference leader hangs up, the conference connection is released.

Service Conditions

1. Conference leader and conferee must be a PS/Station.
2. PA-CFTB can be available for Group Calling Conference.
3. The following table shows conditions of CFTB circuit card to use this feature.

FIRMWARE NAME	MAXIMUM NUMBER OF CONFERENCE MEMBERS	KEY SETTING SW2-2	KEY SETTING SW2-3
Firmware SP-1141	20	OFF	OFF
Firmware SP-388 (This firmware cannot be used for cascade connection.)	8	OFF	ON

4. The maximum number of CFTB circuit cards per one conference group is three.

Note: *The number of CFTB circuit cards required to call a conference depends on the maximum number of conference members per conference group.*

2 ~ 8 members (including conference leader): one circuit card

9 ~ 14 members (including conference leader): two circuit cards

15 ~ 20 members (including conference leader): three circuit cards (Maximum)

5. A maximum of 16 digits of Group Calling Conference Number (telephone number/Phantom Telephone Number corresponding to a conference leader port of CFTB) should be assigned.
6. A user must assign the telephone number for the conferee.
7. By making a group of Station Hunting Group - Circular between conference leader ports or conference leader ports for cascade connection of multiple sets of CFTB circuit cards, the conference can be held looking for idle CFTB circuit cards when the dialed port has already been used by others.

Service Conditions (cont'd)

8. By assigning the Phantom Telephone Number to the telephone number, the maximum number of conference group per set of CFTB circuit cards is 17 (Phantom Telephone Number: 16 + telephone number: 1).
9. This service must not be assigned to the ports of LC used for LC-COT connection.
10. If a conference leader hangs up (or is out of zone), the conference will be released.
11. When a conferee is busy or out of zone during a conference call, the conferee is not called.
12. When all conferees are busy, out of zone or they do not answer the conference call, the conference leader hears Ringback Tone.
13. When a conferee who answered a conference call goes on-hook before a conferee who is to be called last in the group is called, and other conferees are busy, out of zone or do not answer the call, a conference leader receives no tone.
14. ISDN terminal and Attendant Console are not available in this feature.
15. Conference leader cannot call a conference using Blind Transfer.
16. When using this feature, the user must assign Service Feature Restriction Class and Route Restriction Class, which are different from those of other stations to ports of CFTB circuit card, and also restrict all outgoing routes by system data. If outgoing trunk is used for this feature, noise or announcement of another office may be heard.
17. If a PS is in one of the following conditions, Call Forwarding - Dropped Call is not executed.
 - When the PS encounters a squelch disconnection while it is in conference.
 - When a connected terminal is in conference.
18. If a conferee has been assigned in a UCD group, the conferee is not called.

S-134 Short Text Messaging Service (STM Service)

General Description

This feature enables a short text message (STM), once arrived at a mail box of the Short Text Message Server (external equipment), to be automatically distributed to the addressee PS via Open Application Interface (OAI). This feature also provides a Zip Tone and “TM WAITING” notification on the display (LCD) of the address PS that is busy, and if the PS is out of zone, the feature makes retransmission of the STM after the PS returns to the zone.

Note: *This describes STM Facilities available for external STM OAI application. Actual functionality depends on the application.*

Operating Procedure

1. By using PS function key, users can set a password (four digits or less) to the PS to enter STM (short text message system) mode.
2. The STM transmitted to the PS while PS's buffer (maximum ten messages) is busy is temporarily kept in STM server. When requesting the STM, delete old STM data in the buffer using the function key. Then the PS automatically requests STM server to retransmit the STM.

Service Conditions

1. This feature is available only for My Line (L1) of a two-line D^{term} PS (not provided for Sub Line (L2)).
2. This feature is provided in the same form as that for call termination.
3. STM message transmission route is only one way: STM server → PS
4. An STM can contain 128 byte data in the maximum.
5. The following are not available in this feature.
 - Call Forwarding - All Calls
 - Call Forwarding - Don't Answer
 - Call Forwarding - Busy Line
 - Call Forwarding PS Incoming Call Incomplete
6. This feature is counted as ZT peg count.
7. If the following occur, STM is not distributed, but stays in the mail box of the STM server. The STM is safely transmitted later by this feature's retransmission function.
 - Addressee PS is out of zone.
 - Addressee PS has a power down.
 - The line of addressee PS is busy.
 - PS is in a state of hand-over. **Note**

Note: *When hand-over unexpectedly starts while the message transmission is partially in progress, this feature sees this as a squelch disconnection and performs message retransmission after the hand-over is completed.*

8. Wireless Roaming is not available in this feature.
9. More than STM server cannot be transmitted to a single PS simultaneously. Only the earliest STM can be sent safely.

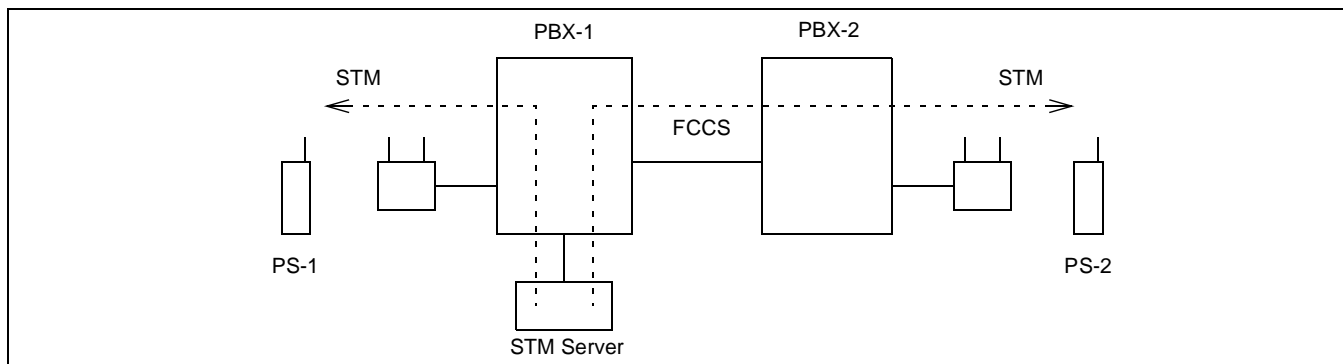
Service Conditions (cont'd)

10. Hardware Requirements: PS and ZT that are both supporting this feature should be used. If other PS/ZT is used, the following occurs at the PBX side:
- PBX sends an STM request to a PS.
 - PBX cannot obtain a response signal from the PS. Also, PBX cannot identify that the PS/ZT is not compatible with the STM feature.
 - PBX judges the PS as in (and returning from) the out-of-zone area.
 - According to the judgement above, PBX performs adequate processing (PS is judged as returning from the zone, and a retry of STM request is made).

Interactions

1. The STM is influenced by System Data of Multiple ACDPs (including Multiple IPs).

Note: For multiple ACDPs, refer to the *CallCenterWorX-Enterprise ACD System Manual*.



A: STM Available

NA: STM Not Available

—: Not used

SYSTEM DATA OF PBX-1		SYSTEM DATA OF PBX-2		PS-1	PS-2
MULTIPLE ACDPS	DISPERSION AGENT	MULTIPLE ACDPS	DISPERSION AGENT		
Ineffective	—	Ineffective	—	A	A
Ineffective	—	Effective	Ineffective	—	—
Ineffective	—	Effective	Effective	—	—
Effective	Ineffective	Ineffective	—	—	—
Effective	Ineffective	Effective	Ineffective	A	NA
Effective	Ineffective	Effective	Effective	A	NA
Effective	Effective	Ineffective	—	—	—
Effective	Effective	Effective	Ineffective	A	NA
Effective	Effective	Effective	Effective	A	A

Note: Shaded areas represent invalid configuration.

This page is for your notes.

Movement of PS in NEAX2400 IPX

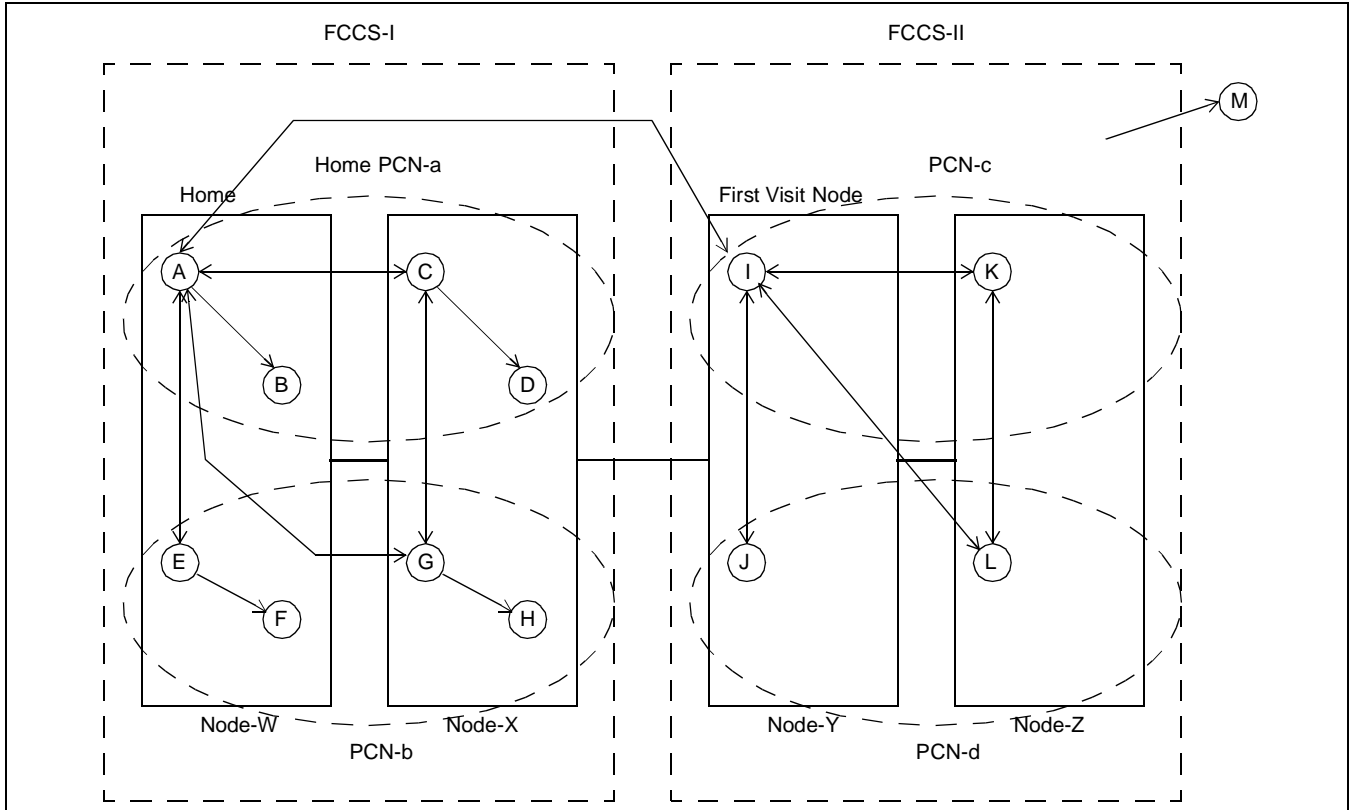
PCS Community

The SYS-ID is a unique ID which was given in order to manage the PCS system. The area where the SYS-ID is effective is called PCS Community. Every PCS Community in a FCCS network is given a unique PCS Community Number (PCN). Each PCN has its own SYS-ID. The PCN is used in stead of the SYS-ID for MAT command, and this can reduce the effect upon changing the SYS-ID to some measure. The habitual operation of the SYS-ID, which reaches to nine digits for the management purpose, is not needed; therefore easy maintenance can be provided. A single PCS Community can be assigned in multiple nodes, and a single node can belong to multiple PCS Communities by using the Tenant service.

PS movement in the NEAX2400 IPX system is classified into four kinds as described below:

1. **Stand-by condition movement**
Movement of an idle PS within the home PCN area in the home FCCS network (in the FCCS network accommodating the home node). The event of PS Location Registration occurs only when the PS moves over the Calling area. Even if a PS is in the Intra-FCCS Roaming or Roaming status, movement of the PS within the current PCN is also stand-by condition movement. In the NEAX2400 IPX system, the home PCN can be assigned over the node, however the Calling Area cannot. Because of this, the event of PS Location Registration occurs whenever an idle PS moves over the node.
2. **Hand-Over**
Movement of a PS engaged in communication within the home PCN area in the home FCCS network. The event of Hand-Over occurs regardless of the Calling Area.
Even if a PS is in the Intra-FCCS Roaming or Roaming status, movement of the PS engaged in communication within the current PCN is also Hand-Over. In the NEAX2400 IPX system, the call engaged in communication is supported even in the case of Hand-Over over the node.
3. **Intra-FCCS Roaming**
Effective only in the home FCCS network. Roaming Request is made to the home node whenever Roaming occurs out of the home FCCS network. This pattern simplifies the internal operation. The call engaged in communication is not supported.
4. **Roaming**
PS Location Registration to the ZT in another PCN than the home PCN is called Roaming. The call engaged in communication is not supported.

Movement of PS in NEAX2400 IPX



MOVE TO	A, B HOME NODE HOME PCN	C, D OTHER NODE HOME PCN	E, F HOME NODE OTHER PCN	G, H OTHER NODE OTHER PCN	I OTHER FCCS FIRST VISIT NODE FIRST PCS	K OTHER FCCS OTHER NODE FIRST PCN	J OTHER FCCS FIRST VISIT NODE OTHER PCN	L OTHER FCCS OTHER NODE OTHER PCN	M YET OTHER FCCS
MOVE FROM									
A HOME NODE HOME PCN	Stand-by condition Movement H-O	Stand-by condition Movement H-O	Intra-FCCS Roaming	Intra-FCCS Roaming	Roaming	Roaming	Roaming	Roaming	Roaming
C OTHER NODE HOME PCN	Stand-by condition Movement H-O	Stand-by condition Movement H-O	Intra-FCCS Roaming	Intra-FCCS Roaming	Roaming	Roaming	Roaming	Roaming	Roaming
E HOME NODE OTHER PCN	Intra-FCCS Roaming	Intra-FCCS Roaming	Stand-by condition Movement H-O	Stand-by condition Movement H-O	Roaming	Roaming	Roaming	Roaming	Roaming
G OTHER NODE OTHER PCN	Intra-FCCS Roaming	Intra-FCCS Roaming	Stand-by condition Movement H-O	Stand-by condition Movement H-O	Roaming	Roaming	Roaming	Roaming	Roaming

Movement of PS in NEAX2400 IPX

MOVE TO	A, B HOME NODE HOME PCN	C, D OTHER NODE HOME PCN	E, F HOME NODE OTHER PCN	G, H OTHER NODE OTHER PCN	I OTHER FCCS FIRST VISIT NODE FIRST PCS	K OTHER FCCS OTHER NODE FIRST PCN	J OTHER FCCS FIRST VISIT NODE OTHER PCN	L OTHER FCCS OTHER NODE OTHER PCN	M YET OTHER FCCS
MOVE FROM									
I OTHER FCCS FIRST VISIT NODE FIRST PCN	Roaming	Roaming	Roaming	Roaming	Stand-by condition Movement H-O	Stand-by condition Movement H-O	Roaming Note	Roaming Note	Roaming
K OTHER FCCS OTHER NODE FIRST PCN	Roaming	Roaming	Roaming	Roaming	Stand-by condition Movement H-O	Stand-by condition Movement H-O	Roaming Note	Roaming Note	Roaming
J OTHER FCCS FIRST VISIT NODE OTHER PCN	Roaming	Roaming	Roaming	Roaming	Roaming Note	Roaming Note	Stand-by condition Movement H-O	Stand-by condition Movement H-O	Roaming
L OTHER FCCS OTHER NODE OTHER PCN	Roaming	Roaming	Roaming	Roaming	Roaming Note	Roaming Note	Stand-by condition Movement H-O	Stand-by condition Movement H-O	Roaming
M YET OTHER FCCS	Roaming	Roaming	Roaming	Roaming	Roaming	Roaming	Roaming	Roaming	Roaming or Stand-by condition Movement (depending on the case)

Note: This pattern is treated as Roaming by re-Roaming to the home node in FCCS-I.

This page is for your notes.