

Foreword

The inside pages of this manual contain a minimum of 50% recycled fibers, including 10% post-consumer fibers. 

Welcome to the growing family of new NISSAN owners. This vehicle is delivered to you with confidence. It was produced using the latest techniques and strict quality control.

This manual was prepared to help you understand the operation and maintenance of your vehicle so that you may enjoy many miles of driving pleasure. Please read through this manual before operating your vehicle.

A separate “Warranty Information Booklet” explains details about the warranties covering your vehicle.

Your NISSAN dealer knows your vehicle best. When you require any service or have any questions, he will be glad to assist you with the extensive resources available to him.

IMPORTANT SAFETY INFORMATION REMINDERS FOR SAFETY!

Follow these five important driving rules to help ensure a safe and complete trip for you and your passengers:

- **NEVER** drive under the influence of alcohol or drugs.
- **ALWAYS** observe posted speed limits and never drive too fast for conditions.
- **ALWAYS** use your seat belts and appropriate child restraint systems.
- **ALWAYS** provide information about the proper use of vehicle safety features to all occupants of the vehicle.
- **ALWAYS** review this Owner’s Manual for important safety information.

© 1995 NISSAN NORTH AMERICA, INC.
TORRANCE, CALIFORNIA

All rights reserved. No part of this Owner’s Manual may be reproduced or stored in a retrieval system, or transmitted in any form, or by any means, electronic, mechanical, photocopying, recording or otherwise, without the prior written permission of Nissan North America, Inc.

NOTES ON THE INFORMATION CONTAINED IN THIS OWNER’S MANUAL

This owner’s manual contains descriptions and operating instructions for all systems, features and optional equipment that might appear in any model of this vehicle built for any destination in North America, including the continental United States, Canada and Hawaii. Therefore, you may very well find information in this manual that does not apply to your vehicle.

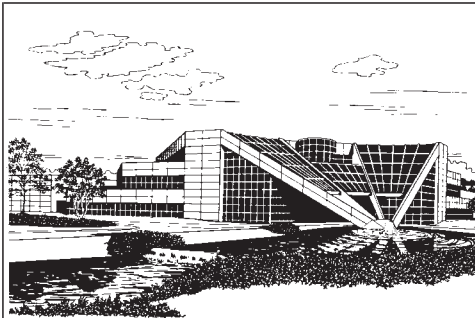
MODIFICATION OF YOUR VEHICLE

This vehicle should not be modified. Modification could affect its performance, safety or durability, and may even violate governmental regulations. In addition, damage or performance problems resulting from modifications may not be covered under NISSAN warranties.

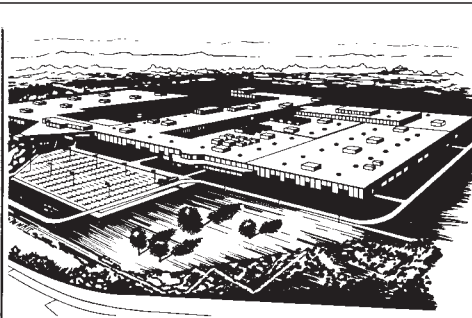
All information, specifications and illustrations in this manual are those in effect at the time of printing. NISSAN reserves the right to change specifications or design without notice and without obligation.

Welcome To The World Of NISSAN

The inside pages of this manual contain a minimum of 50% recycled fibers, including 10% post-consumer fibers.



NISSAN RESEARCH & DEVELOPMENT, INC.
in Farmington Hills, Michigan



NISSAN MOTOR MANUFACTURING CORPORATION
U.S.A. in Smyrna, Tennessee AFW0001

Your new Nissan is the result of our dedication to produce the finest in safe, reliable and economical transportation. Your vehicle is the product of a successful worldwide company that manufactures cars and trucks in over 20 countries and distributes them in 150 nations.

Nissan vehicles are designed and manufactured by Nissan Motor Co., Ltd. which was founded in Tokyo, Japan in 1933, and Nissan affiliates worldwide, collectively growing to become the fourth largest automaker in the world. In addition to cars and trucks, Nissan also makes textile machinery, forklift trucks, marine engines, boats and other products.

Nissan has made a substantial and growing investment in North America, starting with the opening of Nissan Motor Corporation U.S.A. in 1960, continuing with the production of some cars and trucks at one of the world's most

modern manufacturing facilities in Smyrna, Tennessee, vehicle styling at Nissan Design International in San Diego, California, and engineering at Nissan Research and Development in Farmington Hills, Michigan.

Nissan Motor Corporation U.S.A. and its dealers employ about 50,000 Americans.

Nissan is also a substantial contributor to the Canadian economy. Nissan Canada Inc. and its 200 dealers and suppliers employ approximately 4,000 people. These include company employees and the staffs of Nissan dealers all across Canada. In addition, many Canadians work for companies that supply Nissan and Nissan dealers with materials and services ranging from the operation of port facilities and transportation services, to the supply of lubricants, parts and accessories.

Nissan pioneered the use of electronics and computers in automobiles, and has led the industry in improving both performance and fuel efficiency through new engine designs and the use of synthetic materials to reduce vehicle weight. The company has also developed ways to build quality into its vehicles at each stage of the production process, both through extensive use of automation and — most importantly — through an awareness that **people** are the central element in quality control.

From the time the parts arrived from our suppliers until you took delivery of your new Nissan, dozens of checks were made to ensure that only the best job was being done in producing and delivering your vehicle. Nissan also takes great care to ensure that when you take your Nissan to your dealer for maintenance, the service technician will perform his work according to the quality standards that have been established by the factory.

Safety has also been built into your Nissan. As you know, seat belts are an integral part of the safety systems that will help protect you and your passengers in the event of a sudden stop or an accident. We urge you to use the belts every time you drive the vehicle.

The Nissan story of growth and achievement reflects our major goal: to provide you, our customer, with a vehicle that is built with quality and craftsmanship — a product that we can be proud to build and you can be proud to own.

NISSAN CUSTOMER CARE PROGRAM

NISSAN CARES ...

Both NISSAN and your NISSAN dealer are dedicated to serving all your automotive needs. Your satisfaction with your vehicle and your NISSAN dealer are our primary concerns. Your NISSAN dealer is always available to assist you with all your automobile sales and service needs.

However, if there is something that your NISSAN dealer cannot assist you with or you would like to provide NISSAN directly with comments or questions, please contact our (NISSAN's) Consumer Affairs Department using our toll-free number:

For U.S. mainland and Alaska customers

1-800-NISSAN-1 (1-800-647-7261)

For Hawaii customers

(808) 531-0231 (Oahu Number)

For Canada customers

1-800-387-0122

The Consumer Affairs Department will ask for the following information:

- Your name, address, and telephone number
- Vehicle identification number (on dashboard)
- Date of purchase
- Current odometer reading
- Your NISSAN dealer's name
- Your comments or questions

OR

you may write to NISSAN with the information on the left at:

For U.S. mainland and Alaska customers

Nissan Motor Corporation in U.S.A.

Consumer Affairs Department

P.O. Box 191

Gardena, California 90247

For Hawaii customers

Nissan Motor Corporation in Hawaii

2880 Kilihau St.

Honolulu, Hawaii 96819

For Canada customers

Nissan Canada Inc.

P.O. Box 1709, Station "B"

Mississauga, Ontario L4Y 4H6

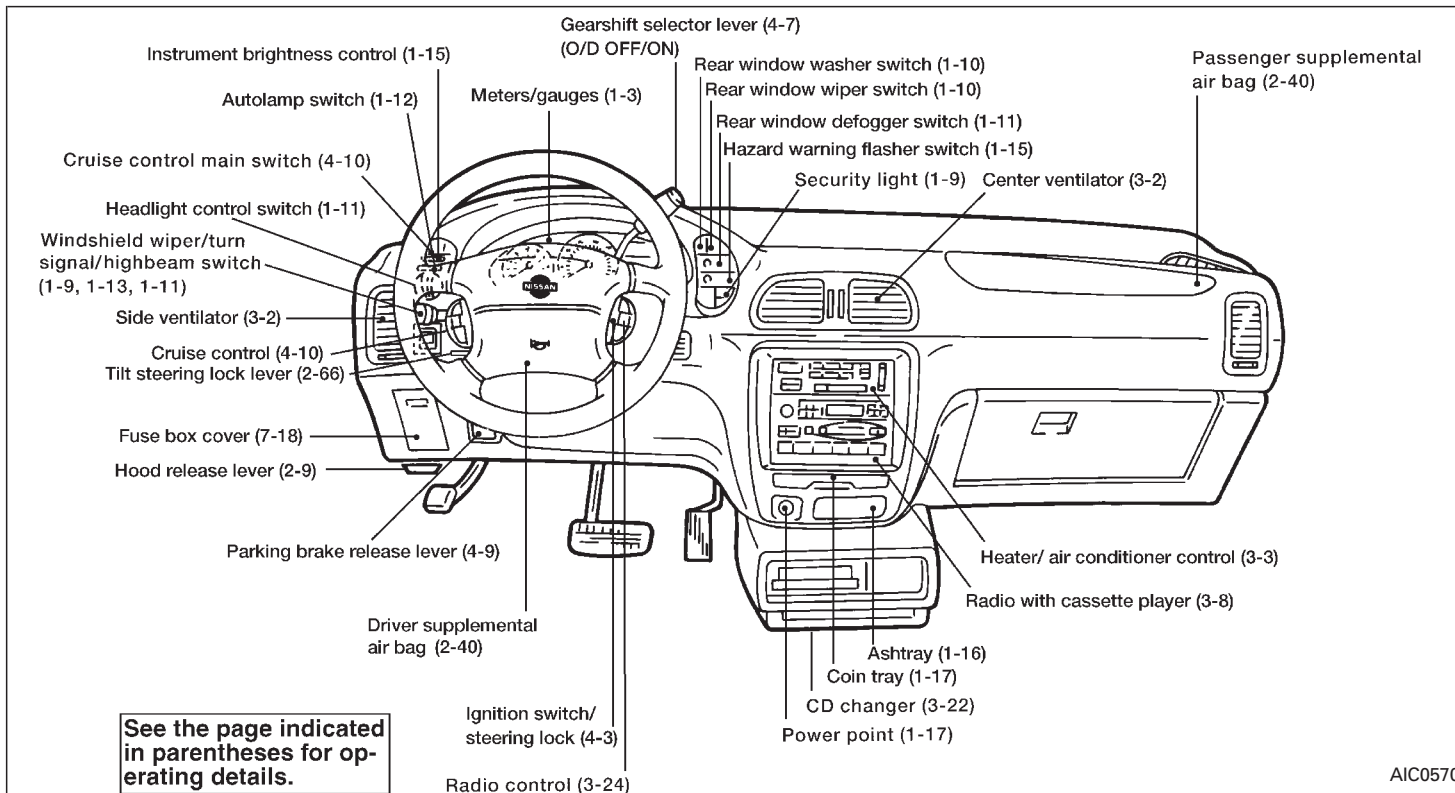
We appreciate your interest in NISSAN and thank you for buying a quality NISSAN vehicle.

Contents

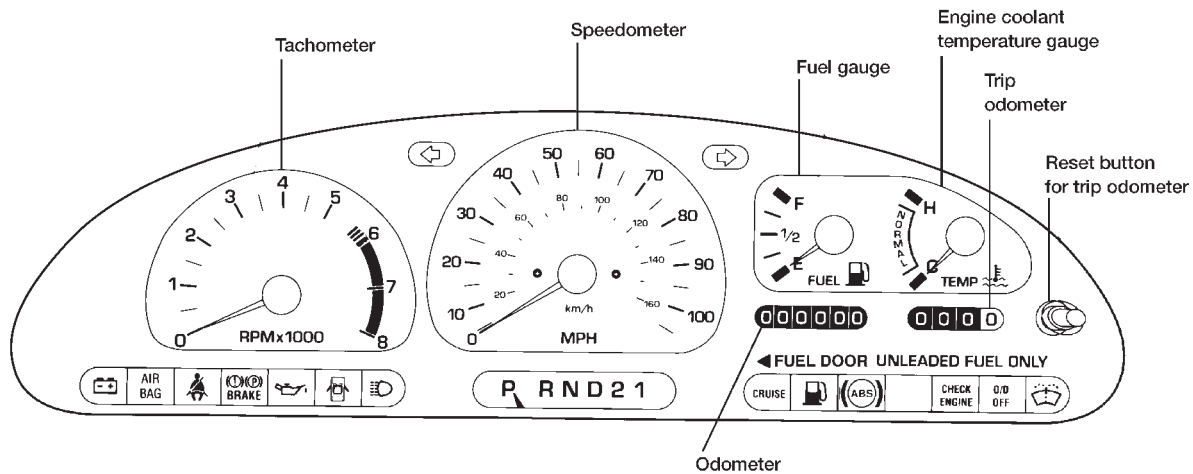
Instruments and controls	1
Pre-driving checks and adjustments	2
Heater, air conditioner and audio system	3
Starting and driving	4
In case of emergency	5
Appearance and interior care	6
Do-it-yourself operations	7
Maintenance schedule	8
Technical and consumer information	9
Index	10

1 Instruments and controls

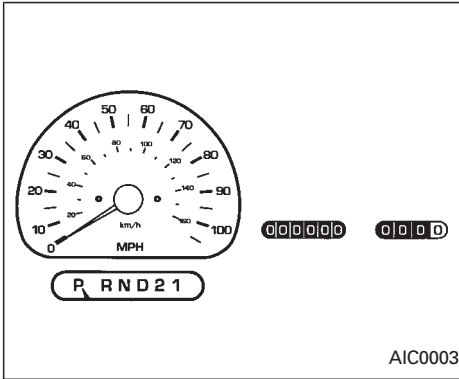
Meters and gauges	1-3	Cigarette lighter (accessory) and ashtray	1-17
Warning/indicator lights and chimes	1-6	Rear power point.....	1-18
Theft warning.....	1-9	Coin tray	1-18
Windshield wiper lever and washer switch.....	1-10	Compact disc and audio cassette storage compartment	1-19
Rear window wiper and washer switches.....	1-11	Power window	1-19
Rear window defogger switch	1-12	Sunroof (If so equipped)	1-20
Headlight control switch	1-12	Manual rear windows	1-21
Autolamp switch	1-13	Power rear windows.....	1-21
Spotlights.....	1-15	Clock.....	1-22
Turn signal switch	1-15	Interior lights.....	1-23
Cornering light.....	1-16		
Instrument brightness control.....	1-16		
Hazard warning flasher switch	1-16		



METERS AND GAUGES



AIC0571



AIC0003

SPEEDOMETER

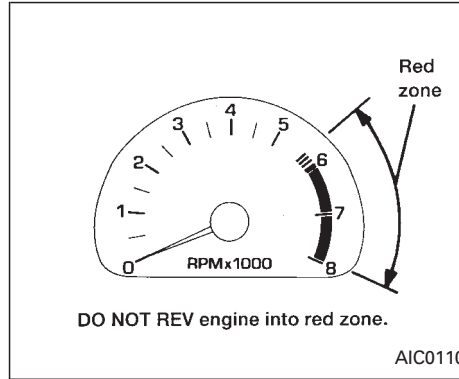
The speedometer indicates vehicle speed.

ODOMETER

The odometer records the total distance the vehicle has been driven.

TRIP ODOMETER

The trip odometer records the distance of individual trips. Before each trip, set the trip odometer to zero by pushing the RESET button.



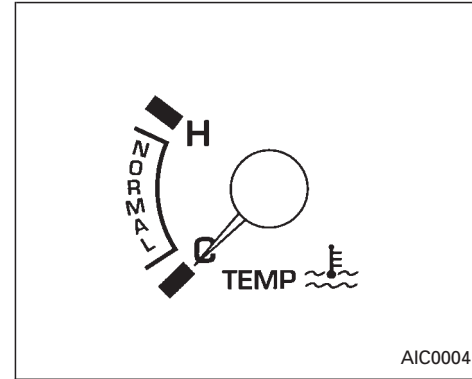
AIC0110

TACHOMETER

The tachometer indicates engine speed in revolutions per minute (RPM).

CAUTION

When engine speed approaches the red zone, shift to a higher gear. Engine speed in the red zone may cause serious engine damage.



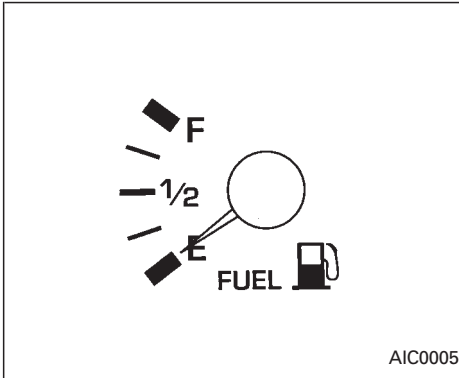
AIC0004

ENGINE COOLANT TEMPERATURE GAUGE

This gauge indicates the coolant temperature. The coolant temperature varies with the outside air temperature and driving conditions.

CAUTION

If the gauge indicates over the normal range, stop the vehicle as soon as safely possible. If the engine is overheated, continued operation of the vehicle may seriously damage the engine. See “In case of emergency” section for immediate action required.



FUEL GAUGE

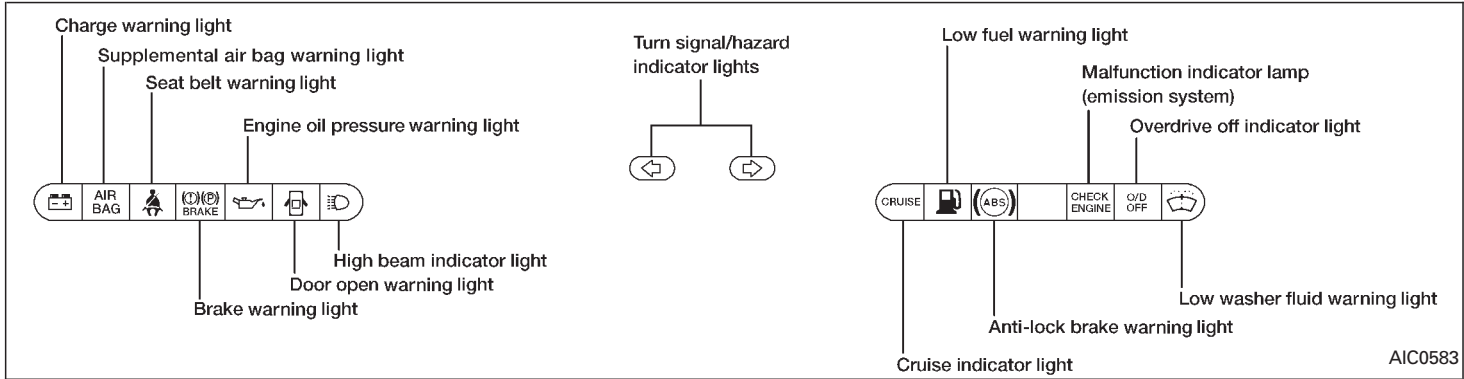
This gauge indicates the APPROXIMATE fuel level in the tank.

The gauge may move slightly during braking, turning, acceleration, or when going up or down hills.

The gauge needle is designed to remain in approximately the same position, even when the ignition key is turned OFF.

Refill the fuel tank before the gauge registers at E (empty).

WARNING/INDICATOR LIGHTS AND CHIMES



Checking bulbs

Apply the parking brake, fasten seat belts, and turn the ignition key to ON without starting the engine. The following lights come on and stay on until the engine is started:



The following lights come on briefly and then go off:



If any light fails to come on, it may

indicate a burned-out bulb or an open circuit in the electrical system. Have the system repaired promptly.



Engine oil pressure warning light

This light warns of low engine oil pressure. If the light flickers or comes on during normal driving, pull off the road in a safe area, stop the engine **immediately** and call a NISSAN dealer or other authorized repair shop. **Running the engine with the oil pressure warning light on could cause serious damage to the engine.**

The oil pressure warning light is not designed to indicate a low oil level. Use the dipstick to check the oil level. See “Engine oil” in the “Do-it-yourself operations” section.



Charge warning light

If the light comes on while the engine is running, it may indicate something wrong with the charging system. Turn the engine off and check the generator belt. If the belt is loose, broken, missing, or if the light remains on, see your NISSAN dealer immediately.

 **CAUTION**

Do not continue driving if the belt is loose, broken or missing.



Low fuel warning light

This light comes on when the fuel level in the fuel tank is getting low. Refuel as soon as it is convenient, preferably before the fuel gauge reaches E. There should be a small reserve of fuel in the tank when the fuel gauge needle reaches E.



Door open warning light

This light comes on when any of the doors are not closed securely while the ignition key is ON.



Seat belt warning light and chime

The light and chime remind you to fasten your seat belts. If the driver's seat belt is NOT securely fastened when the ignition key is turned to ON or START, the chime sounds four times and the light illuminates.

Refer to "Seat belts" in the "Pre-driving checks and adjustments" section for precautions on seat belt usage.



Supplemental air bag warning light

When the ignition key is in the ON or START position, the supplemental air bag warning light illuminates for about 7 seconds and then turns off. This means the Air Bag Supplemental Restraint System is operational.

If any of the following conditions occur, the supplemental air bag system needs servicing and your vehicle should be taken to your nearest authorized NISSAN dealer as soon as practical:

1. The supplemental air bag warning light does not come on for 7 seconds and then goes off as described above.
2. The supplemental air bag warning light flashes intermittently or remains on.
3. The supplemental air bag warning light does not come on at all.

Unless checked and repaired, the Air Bag Supplemental Restraint System may not function properly. For additional details, see "Supplemental restraint system" in the "Pre-driving checks and adjustments" section.



Low washer fluid warning light

This light comes on when the washer reservoir fluid is at a low level. Add washer fluid as necessary. See the "Do-it-yourself operations" section.



Brake warning light

This light functions for both the parking brake and the foot brake systems.

The light comes on when the parking brake is applied, and also warns of a low brake fluid level. If the light comes on while the engine is running with the parking brake not applied, stop the vehicle and perform the following:

1. Check the brake fluid level. Add brake fluid as necessary. See "Brake fluid" in the "Do-it-yourself operations" section.
2. If the brake fluid level is correct, check the warning system.

WARNING

- **If you judge it to be safe, drive carefully to the nearest service station for repairs. Otherwise, have your vehicle towed because driving it could be dangerous.**
- **Pressing the brake pedal with the engine stopped and/or low brake fluid level may increase your stopping distance and braking will require greater pedal effort as well as pedal travel.**

or Anti-lock brake warning light

If the light comes on while the engine is running, it may indicate something wrong with the anti-lock portion of the brake system. Have the system checked by your NISSAN dealer.

If an abnormality occurs in the system, the anti-lock function ceases, but the brakes continue to operate normally.

If the light comes on while you are driving, contact your NISSAN dealer for repair.

Overdrive off indicator light

This light comes on during driving when the overdrive switch is pressed to prevent overdrive operation.

The O/D OFF indicator light comes on for two seconds each time the ignition key is turned ON. This shows the light is functioning properly.

If the O/D OFF indicator light blinks for approximately 8 seconds after coming on for 2 seconds, have your NISSAN dealer check the transmission and repair it if necessary.

The automatic transmission is equipped with an electronic Fail-Safe mode. This system allows the vehicle to be driven even in the event of damage to the electrical circuits. If this occurs, the gears automatically engage and lock into 3rd gear.

NOTE: See the “Fail-safe” section in the “Starting and driving” section before visiting your NISSAN dealer.

Turn signal/hazard indicator lights

The appropriate light flashes when the turn signal lever is activated.

Both lights flash when the hazard switch is turned on.

High beam indicator light

This light comes on when the headlight high beam is on and goes out when the low beam is selected.

CRUISE Cruise indicator light

The light comes on while the vehicle speed is controlled by the cruise control system. If the CRUISE indicator blinks, have the system checked by your NISSAN dealer.

Key reminder chime

The chime sounds if the driver side door is opened while the key is left in the ignition switch. Remove the key and take it with you when leaving the vehicle.

Light reminder chime

A chime sounds when the driver side door is opened if the headlight control switch is

THEFT WARNING (If so equipped)

turned on (ignition switch is turned OFF).

Turn the headlight control switch to OFF when you leave the vehicle.

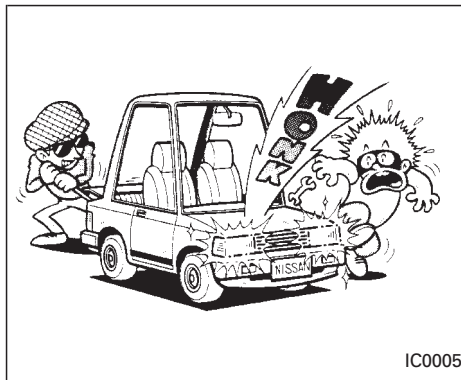
Brake pad wear warning

The disc brake pads have audible wear warnings. When a brake pad requires replacement, it makes a high pitched scraping sound when the vehicle is in motion whether or not the brake pedal is depressed. Have the brakes checked as soon as possible if the warning sound is heard.




Malfunction indicator lamp
(emission system)

If this light comes on or blinks while the engine is running, it may indicate a potential emission control problem. Although the vehicle is still driveable, see your NISSAN dealer for service as soon as possible. Continued operation without having the emission control system checked and repaired as necessary could lead to poor driveability, reduced fuel economy, and possible damage to the emission control system which may affect your warranty coverage.



The theft warning system provides audio and visual alarm signals if parts of the vehicle are disturbed.

How to activate the theft warning system

1. Close all windows.
2. Remove the key from the ignition switch.
3. Close all doors and the hood. Lock all doors by pressing the  button on the multi-remote controller. At this time, the parking lights blink and the horn chirps to indicate all doors are locked.

The system can be activated even if the windows are open.

4. Confirm that the SECURITY indicator light, located under the hazard warning switch, illuminates.
- The SECURITY light stays on for about 30 seconds and then begins to flash once every three seconds. The system is now activated.


The theft warning system is NOT activated if one of the following occurs:

- A door is unlocked or opened, the hood is opened, or the ignition key is turned to the ACC or ON position during the 30 seconds in which the SECURITY light stays on.
- The SECURITY light blinks at a steady 1/2 second on - 1/2 second off rate because a door or the hood is open and the key is not in the ACC or ON position. When the ignition key is turned to the ACC or ON position, the SECURITY light turns off.

Theft warning system operation

The theft warning system emits the following alarm:


WINDSHIELD WIPER LEVER AND WASHER SWITCH

- The headlights and tail lights flash and the horn sounds intermittently. In addition, the starter motor does not operate.
- The alarm automatically turns off after two to three minutes. However, the alarm reactivates if the vehicle is tampered with again. The alarm can be shut off by unlocking a door with the key or by pressing the  button on the multi-remote controller.

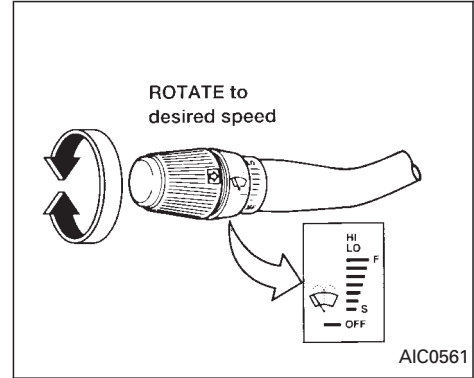
The alarm is activated when:

- a door is unlocked or opened without using the key or the multi-remote controller. This includes unlocking the doors with the inside door lock switch.
- the hood is opened.
- the ignition is placed into the ACC, ON, or START position without the key in the ignition.

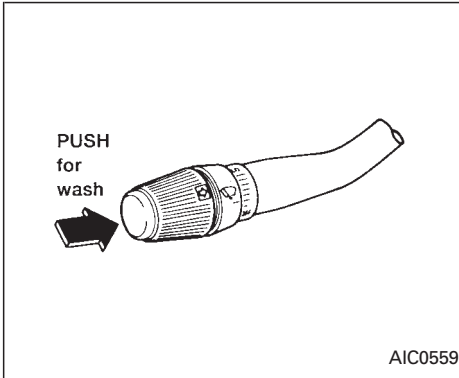
How to stop the alarm

The alarm stops only by unlocking a door with the key or by pressing the  button on the multi-remote controller. The alarm does not stop if the ignition key is turned to the ACC or ON position.

If the system does not operate as described above, have it checked by your NISSAN dealer.



To operate the wipers intermittently, adjust the knob between the S and F positions. For continuous operation, select LO or HI.



To operate the washer, press on the end of the wiper knob. For more washer fluid, push and hold the end of the wiper knob. The wipers cycle a few times when the washer is activated. The washer operates in any of the wiper positions.

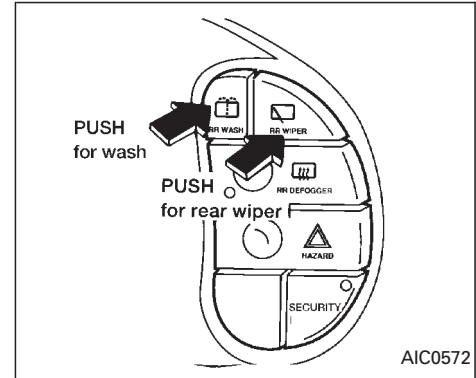
CAUTION

- Do not operate the washer continuously for more than 30 seconds.
- Do not operate the washer if the reservoir tank is empty.

WARNING

In freezing temperatures the washer solution may freeze on the windshield and obscure your vision. Warm the windshield with the defroster before you wash the windshield.

REAR WINDOW WIPER AND WASHER SWITCHES



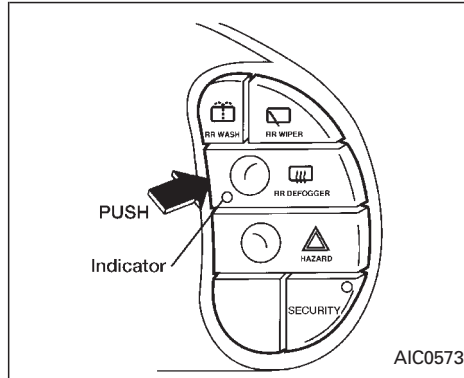
Push and hold the rear washer switch to operate the rear washer. The wiper cycles continuously until the switch is released.

Push the rear wiper switch to operate the wiper. The wiper cycles intermittently. Push again to cancel.

CAUTION

- Do not operate the washer continuously for more than 30 seconds.
- Do not operate the washer if the reservoir tank is empty.

REAR WINDOW DEFOGGER SWITCH



To defog the rear window glass, start the engine and push the switch on. The indicator light comes on. Push the switch again to turn the defogger off.

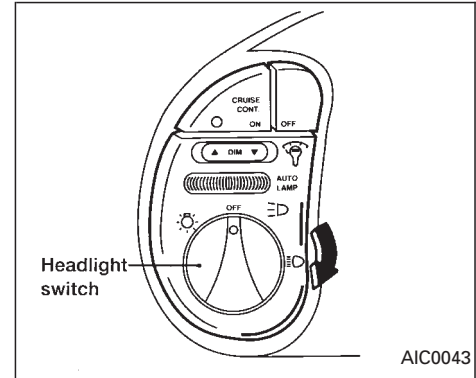
The rear window defogger switch is also used to defrost, defog, or de-ice the power outside heated mirrors (if so equipped).

It automatically turns off in approximately 15 minutes.


CAUTION

When cleaning the inner side of the window, be careful not to scratch or damage the electrical conductors.


HEADLIGHT CONTROL SWITCH



Lighting

Turn the dial to the  position:

The front clearance, side marker, tail, license plate and instrument lights come on.


Turn the dial to the  position:

Headlights come on and all of the previously listed lights remain on.

To select the high beam, push the turn signal lever away from you. The lever latches in place. Pull it back to select the low beam.

AUTOLAMP SWITCH

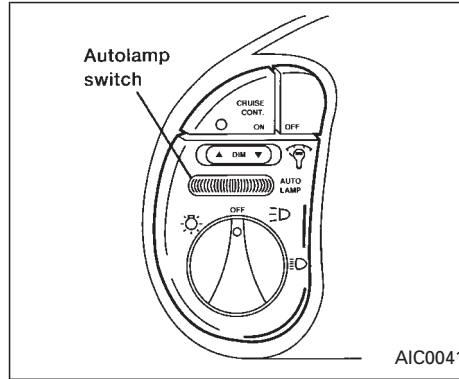
Daytime light system (for Canada)

Even if the headlight control dial is off, the headlight high beams come on after starting the engine. The headlights are a little dimmer than they are with the light switch in the  position.

If the parking brake is applied before the engine is started, the daytime lights do not illuminate. The daytime light system illuminates once the parking brake is released. Thereafter, the daytime lights do not turn off when using the parking brake at stop signals, etc.

WARNING

When the daytime light system is active, tail lights on your vehicle will not be on. It is necessary at dusk to turn on your headlights. Failure to do so could cause an accident injuring yourself and others.



The autolamp system allows the headlights to be set so they turn on and off automatically. The autolamp system can turn on the headlights automatically when it is dark, turn off the headlights when it is light, and keep the headlights on for up to three minutes after you turn the key to OFF.

To set the autolamp system:

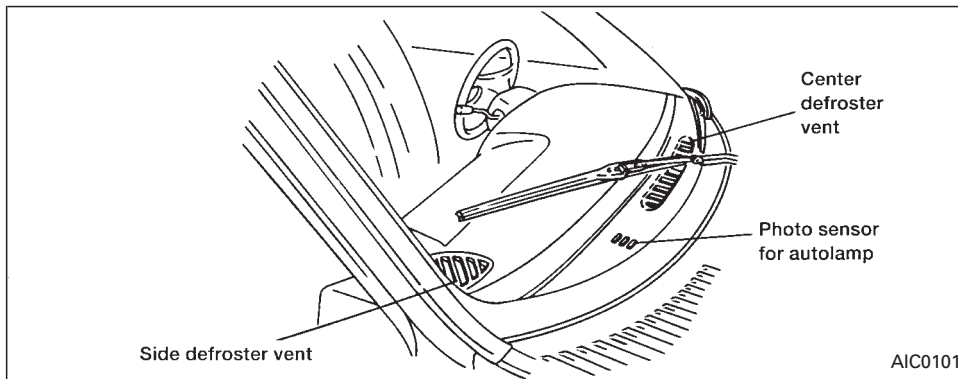
1. Make sure the headlight switch is in the OFF position. If the headlight switch is in the ON position, the autolamp system is canceled.
2. Turn the ignition key to ON.

3. Use the autolamp switch to activate the autolamp feature. It is to the left of the steering wheel.
4. Turn the switch to the right. A slight detent in the switch indicates it has been turned past the OFF position. After the switch is turned past the detent, the autolamp automatically turns the lamps on and off.

Shut-off delay

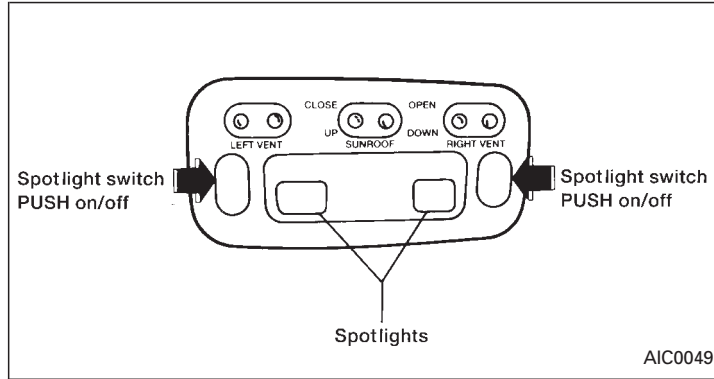
The length of time the autolamps stay on after the ignition is turned to OFF depends on how far the switch is turned to the right. If the switch is turned all the way to the right, the headlights stay on about three minutes after the ignition is turned to OFF. If the switch is turned only a little way to the right, the headlights may stay on for less than a minute.

To turn the autolamp system OFF, turn the switch all the way to the left until the detent is felt.



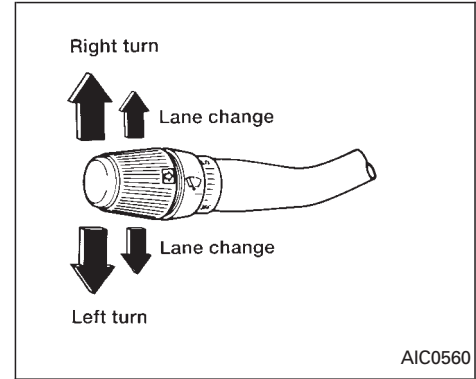
Be sure you do not put anything on top of the photo sensor located in the top right side of the instrument panel. The photo sensor controls the autolamp; if it is covered, the photo sensor reacts as if it is dark out and the headlights will illuminate.

SPOTLIGHTS



To turn on the spotlights, press the switches next to the lights. To turn them off, press the switches again.

TURN SIGNAL SWITCH



Turn signal

Move the lever up or down to signal the turning direction. When the turn is completed, the turn signal cancels automatically.

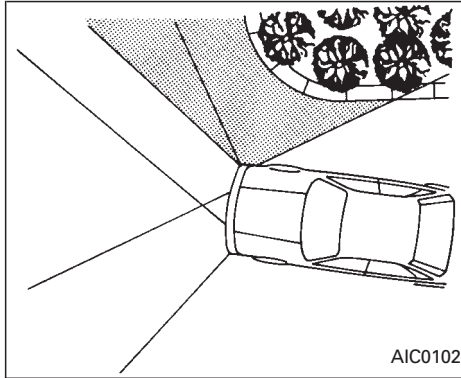
Lane change signal

To indicate a lane change, move the lever up or down to the point where the light begins to flash, but the lever does not latch.

Passing signal

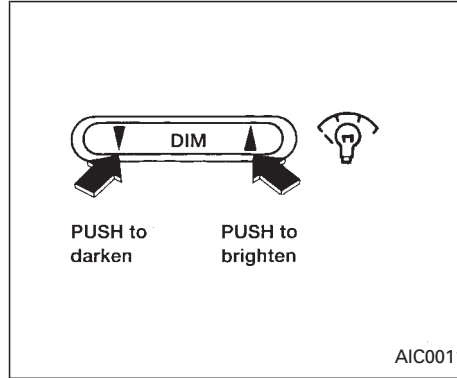
Pulling the lever toward you turns the headlight high beam on. Release it and the headlight high beam goes off.

CORNERING LIGHT



The cornering light provides additional illumination toward the turning direction. The light on the turning direction side comes on when a turn is signaled with the headlights on.

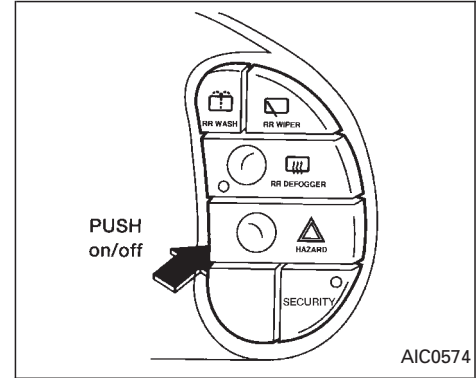
INSTRUMENT BRIGHTNESS CONTROL



The instrument brightness control operates when the light switch is in the \equiv or \equiv position, or when the autolamp system is operating.

Pressing the right side of the switch brightens the instrument panel lights; pressing the left side of the switch dims the instrument panel lights.

HAZARD WARNING FLASHER SWITCH



Push the switch to warn other drivers when you must stop or park under emergency conditions. All turn signal lights flash. Press the switch again to turn the hazard warning flashers off.

WARNING

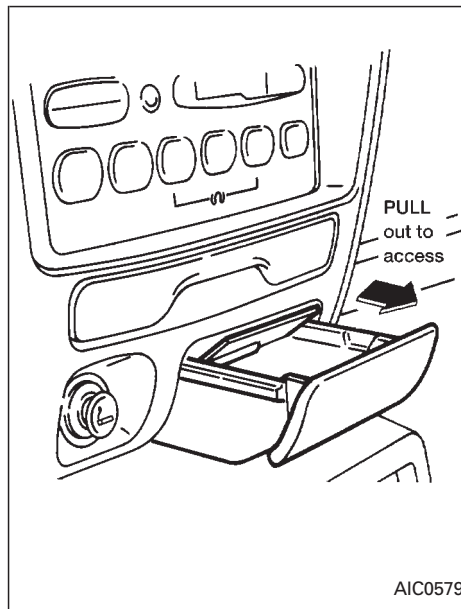
- **When stalled or stopped on the roadway under emergency conditions, move the vehicle well off the road.**
- **Do not use the switch while moving on the highway unless unusual circumstances force you to drive so**

CIGARETTE LIGHTER (ACCESSORY) AND ASHTRAY

slowly that your vehicle might become a hazard to other traffic.

- Some state laws may prohibit the use of the hazard warning flasher switch while driving.
- Turn signals do not work when the switch is operating.

The flashers can be actuated with the ignition switch either OFF or ON.



The cigarette lighter element is an accessory. A genuine NISSAN Cigarette Lighter or equivalent can be purchased from your local NISSAN dealer.

The cigarette lighter operates when the ignition switch is in the ACC or ON position.

Push the lighter in all the way. When the lighter is heated, it springs out.

Return the lighter to its original position after use.

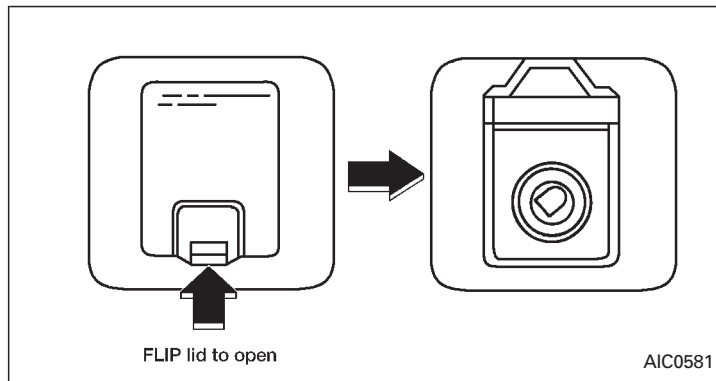
CAUTION

The cigarette lighter socket is a power source for the cigarette lighter element only. The use of the cigarette lighter socket as a power source for any other accessory is not recommended.

WARNING

The cigarette lighter should not be used while driving in order that full attention may be given to the driving operation.

REAR POWER POINT



The rear power point is located on the driver's side trim panel of the second row seats. Open the cover to gain access to the power point.

Use the power point to plug in electrical equipment such as a cellular telephone, CB radio, etc. Follow the installation instructions included with your electrical equipment.

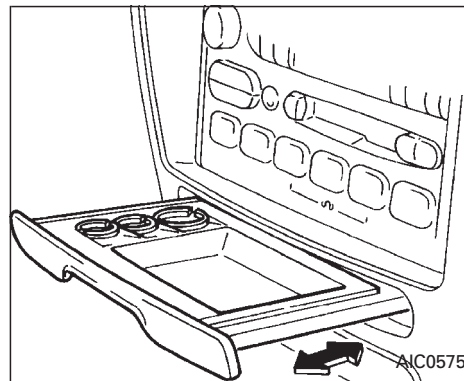
When not in use, always close the power point cover.

CAUTION

When using the power point:

- Maximum load of any electrical equipment should not exceed 10 amps.
- Be sure to turn off any electrical equipment when not in use. Leaving electrical equipment on for extended periods can drain your battery.

COIN TRAY

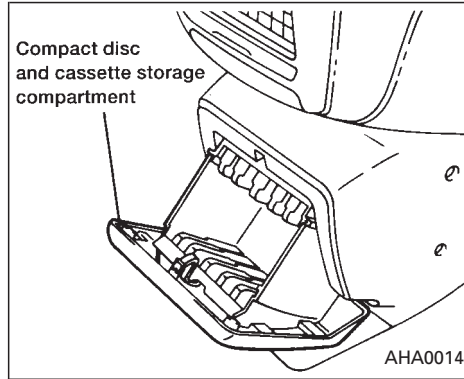


The slide-out coin tray is located in the instrument panel below the radio controls.

CAUTION

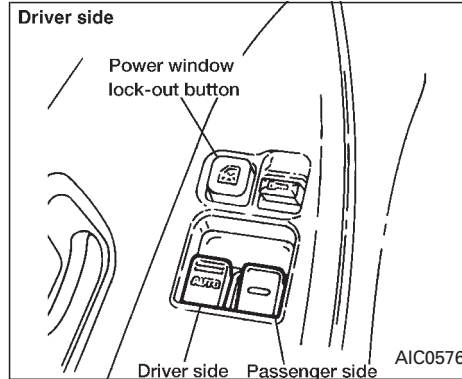
Do not place valuable items in the coin tray.

COMPACT DISC AND AUDIO CASSETTE STORAGE COMPARTMENT



The audio cassette and compact disc storage compartment is located in the instrument panel below the ashtray and lighter. To open the storage compartment, pull out on the handle.

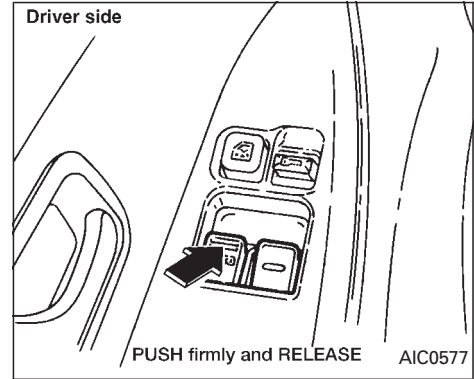
POWER WINDOW



The main switch (on the driver side) opens or closes the driver's or the passenger's window.

To open the window, press the switch down. To close the window, lift the switch up.

The power windows operate when the ignition key is in the ON position, or for 15 minutes after the ignition key is turned to the OFF position. If the driver's door is opened during this 15 minute period, delayed power to the windows is cancelled.



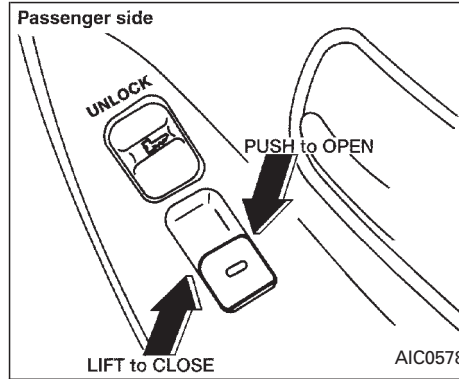
Automatic power window switch

To fully open the driver side window, press down firmly on the switch and release it; you do not need to hold the switch down. The window automatically opens all the way.

The automatic feature can be interrupted before the window is fully open by briefly lifting up on the switch as the window moves down.

Locking passenger's window

When the power window lock-out button is pushed in, the passenger side window cannot be opened or closed. Push the power window lock-out button again to cancel this feature.

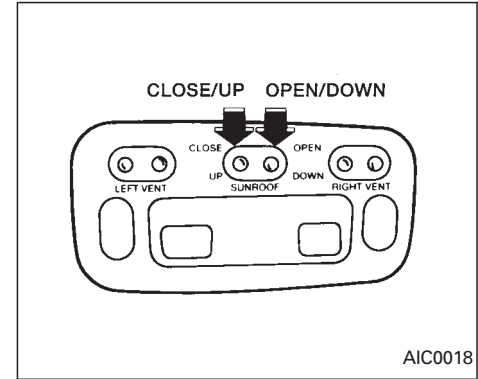


The passenger side switch opens or closes the passenger window only. To open the window, press the switch down. To close the window, lift the switch up.

⚠ WARNING

- **Make sure that all passengers have their hands, etc. inside the vehicle before closing the windows.**
- **Do not leave children unattended inside the vehicle. They could unknowingly activate switches.**

SUNROOF (If so equipped)



The sunroof operates when the ignition key is in the ON position, or for 15 minutes after the ignition key is turned to the OFF position. If the driver's door is opened during this 15 minute period, delayed power to the sunroof is cancelled.

Sliding the sunroof

To open the roof, push and hold the OPEN side of the switch.

To close the roof, push and hold the CLOSE side.

MANUAL REAR WINDOWS

Tilting the sunroof

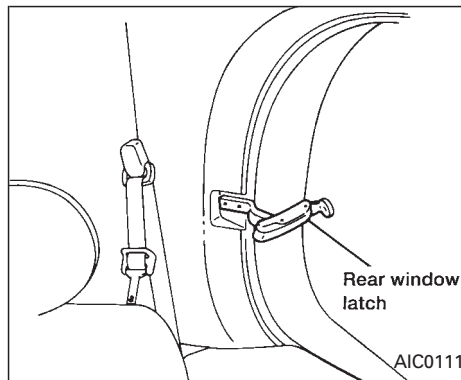
To tilt up, first close the sunroof, then push the UP side of the tilt switch. To close the sunroof, push the DOWN side of the tilt switch.

Sun shade

Open and close the sun shade by sliding it forward or backward. The shade opens when the sunroof opens, but it must be closed manually.

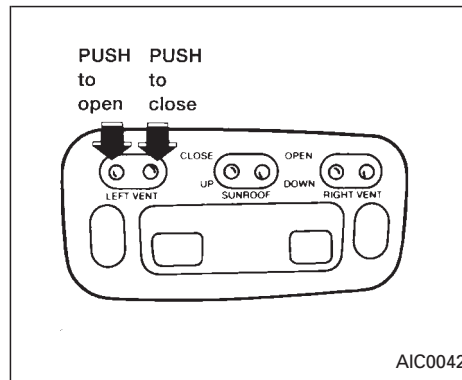
WARNING

- Be extremely careful not to have any part of your body in the sunroof opening while it is closing.
- Do not stand up or extend any portion of your body out of the opening while driving.
- Remove water drops, snow, ice or sand from the sunroof before opening.
- Do not place any heavy object on the sunroof or surrounding area.



To open the manual rear windows, pull the rear portion of the latch toward you until it releases. To lock the window in the open position, push the latch rearward until you hear it latch. To close the windows, pull the latch toward you and push the rear portion of the latch toward the rear of the vehicle until you feel it latch.

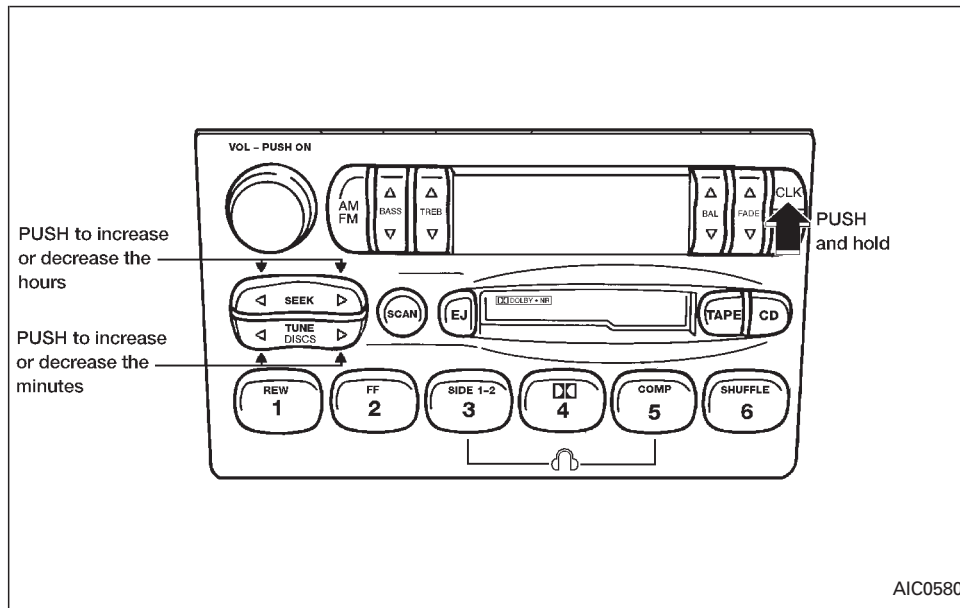
POWER REAR WINDOWS



Use the vent buttons on the power sunroof controls to open and close the power rear windows. To open one of the rear power windows, press the indented side of switch. To close the window, press the raised side of the switch.

The power rear windows operate when the ignition key is in the ON position, or for 15 minutes after the ignition key is turned to the OFF position. If the driver's door is opened during this 15 minute period, delayed power to the rear windows is cancelled.

CLOCK



The digital clock displays time when the ignition key is in ACC or ON.

If the power supply is disconnected, the clock does not indicate the correct time. Readjust the time.

How to view the clock mode

Push the CLK button to alternate the radio frequency and the time in the display. In the clock mode, press any radio function to automatically display the radio frequency for

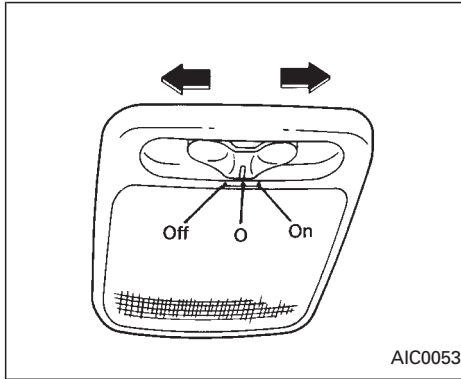
approximately ten seconds before changing back to the clock mode.

How to set the clock

1. Turn the radio on. (Time is displayed while the radio is off).
2. Push and hold the CLK button; then, press the SEEK button either ◀ or ▶ to adjust the hours, and press the TUNE button either ◀ or ▶ to adjust the minutes.

NOTE: The clock displays 12-hour time with no A.M./P.M. indications.

INTERIOR LIGHTS



The interior lights operate regardless of ignition key position.

One interior light is located overhead near the front seats and one is overhead near the rear seat.

The interior lights have three-position switches:

- When the switch is in the OFF position, the interior light does not illuminate, regardless of door position.
- When the switch is in the center O position, the light illuminates when a door is opened.

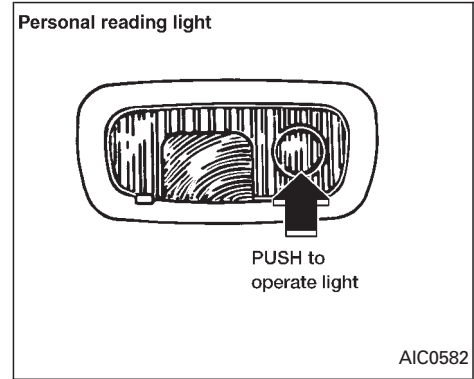
- When the switch is in the ON position, the interior light illuminates, whether any door is open or closed.

NOTE: Leaving the interior light switch in the ON position for extended periods of time will result in a discharged battery.

LUGGAGE COMPARTMENT LIGHTS

When the back door is opened, the luggage compartment light and the rear interior light illuminate.

When the back door is closed the lights go off.



PERSONAL READING LIGHT

The driver's side, second row seating position has a personal reading light located in the overhead trim panel.

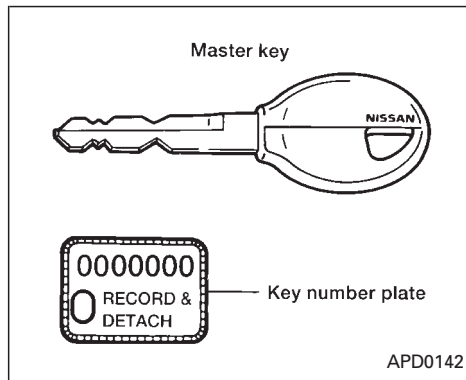
To turn the light on, press once on the right-hand side of the light cover.

To turn the light off, press again on the right-hand side of the light cover.

2 Pre-driving checks and adjustments

Key	2-2	Removing second row bucket seats	2-35
Door locks	2-2	Sliding three-passenger seat	2-39
Multi-remote control system (If so equipped)	2-7	Supplemental restraint system (air bag system)	2-42
Battery replacement	2-8	Warning labels.....	2-45
Hood release.....	2-10	Supplemental air bag warning light.....	2-45
Rear door lock.....	2-11	Seat belts	2-47
Cargo net.....	2-13	Child restraints for infants and small children ..	2-58
Luggage rack.....	2-14	Child restraint with top tether strap.....	2-62
Fuel filler lid and cap.....	2-15	Tilting steering wheel	2-74
Seats/floor mats	2-15	Outside mirror control.....	2-75
Floor mat positioning.....	2-17	Outside mirrors.....	2-76
Seat positions.....	2-21	Inside mirror	2-76
Cup holder.....	2-31	Vanity mirror	2-76
Flexible seating	2-33		
Removing and installing the second row bench seat.....	2-33		

KEY

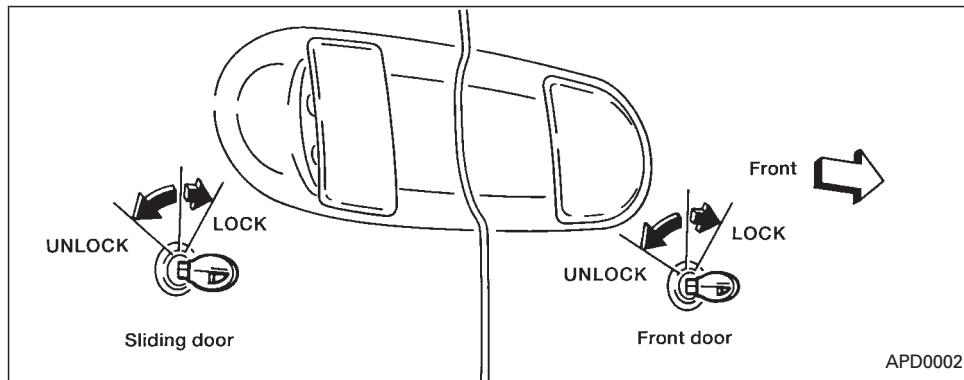


Record the key number on the key number plate and keep it in a safe place (such as your wallet), **NOT IN THE CAR**. A key number plate is supplied with your key. Keep the plate in a safe place. NISSAN does not record key numbers so it is very important to keep track of your key number plate.

A key number is necessary only when you have lost all vehicle keys and do not have one to duplicate from. If you still have a key, this key can be duplicated by your NISSAN dealer or locksmith shop.

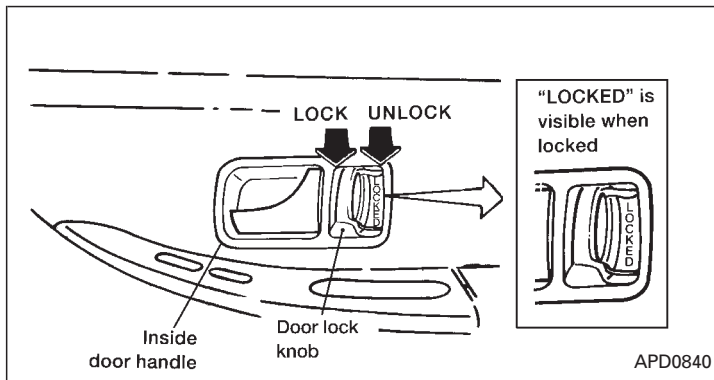
Two keys are supplied with your vehicle — one has a plastic head and one is all metal. Both keys perform the same functions.

DOOR LOCKS



MANUAL DOOR LOCK

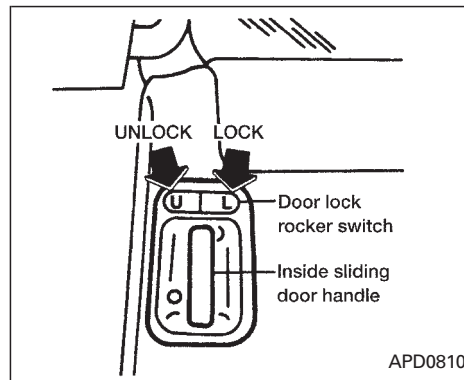
To lock the front doors or sliding door from the outside, turn the key toward the front of the vehicle. To unlock, turn it toward the rear.



Locking the doors without the key

To lock the doors from the outside without a key, move the inside lock knob so LOCKED is visible, then close the door.

When locking the door this way, be certain not to leave the key inside the vehicle.



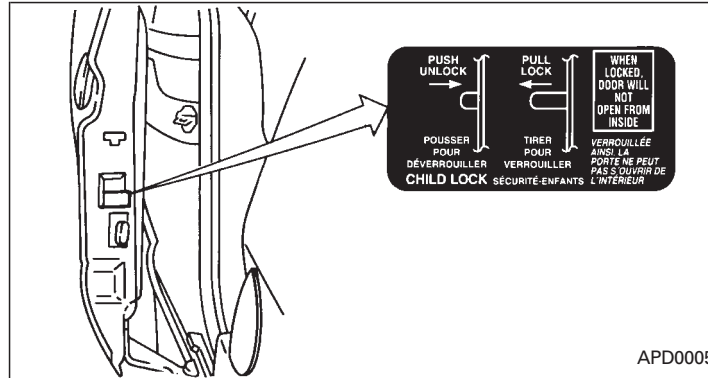
Sliding door lock

To lock the sliding door from inside the vehicle, press the door lock rocker switch on the side marked L. To unlock, press the rocker switch on the side marked U.

Only the sliding door locks and unlocks by using the door lock rocker switch.

⚠ CAUTION

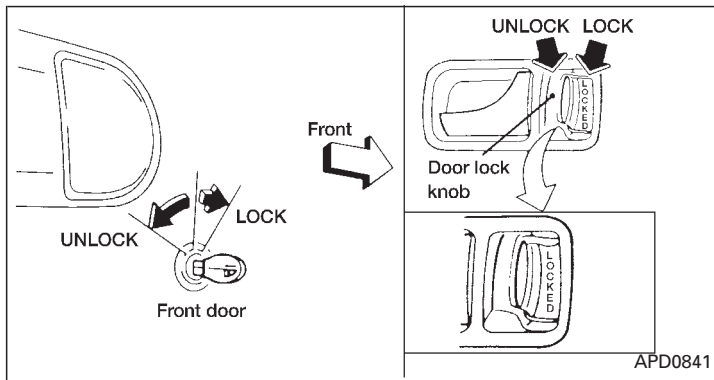
- Always have the doors locked while driving. Along with the use of seat belts, this provides greater safety in the event of an accident by helping to prevent persons from being thrown from the vehicle. This also helps keep children and others from unintentionally opening the doors, and will help keep out intruders.
- Before opening any door, always look for and avoid oncoming traffic.
- Always use the door handle to open or close the sliding door. Do not attempt to open or close the door by merely placing your hand on the door edge or door slide roller, as this may cause injury.
- When opening the sliding door on a slope, ensure that it is fully open and that it does not close by itself.



CHILD SAFETY SLIDING DOOR LOCK

Child safety locking helps prevent doors from being opened accidentally, especially when small children are in the vehicle.

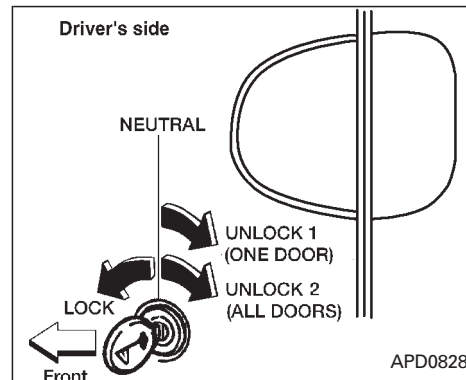
When the lever is in the lock position, the sliding door can be opened only from the outside.



POWER DOOR LOCK

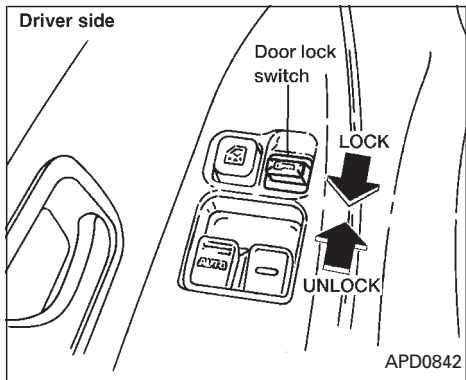
The power door lock system allows you to lock or unlock all doors simultaneously.

- Turning a door key to the front locks all doors. This function can be operated from the driver, passenger or sliding door.
- Pushing a front door lock knob in locks all doors. When locking the doors this way, be certain not to leave the key inside the vehicle. All doors automatically unlock with the key in the ignition.

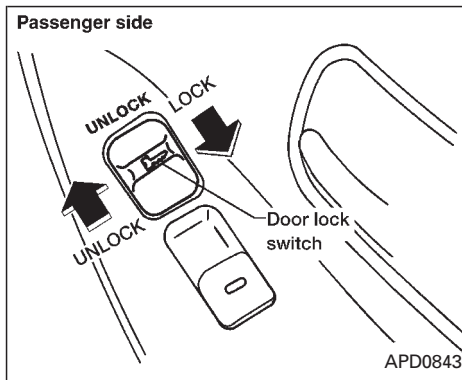


Selective unlock (If so equipped)

- Turning the door key one time to the rear of the vehicle unlocks the corresponding door. From that position, returning the key to Neutral (where the key can only be removed and inserted) and turning it to the rear again within 5 seconds unlocks all doors. This function can be operated from the driver, passenger or sliding door.



- Operating the lock-unlock switch locks or unlocks all doors.
- If the power door lock switch is pressed when the sliding door is open, the sliding door automatically locks when it is closed.



⚠ WARNING

- **Before opening any door, always look for and avoid oncoming traffic.**
- **Do not leave children unattended in a locked vehicle. If an emergency occurs it may be more difficult to help them.**

MULTI-REMOTE CONTROL SYSTEM (If so equipped)

It is possible to lock/unlock all doors, turn the interior lights on or off, and activate the panic alarm by using the remote controller from outside the vehicle.

Be sure to remove the key from the vehicle before locking the doors and leaving it.

The remote controller can operate at a distance of approximately 49 ft (15 m) from the vehicle. (The effective distance depends on the conditions around the vehicle.)

As many as four remote controllers can be used with one vehicle. For more information concerning the purchase and use of additional remote controllers, contact your NISSAN dealer.


CAUTION

Listed below are conditions or occurrences which will damage the remote controller:



- Do not allow the remote controller to become wet.
- Do not drop the remote controller.
- Do not strike the remote controller sharply against another object.

- Do not place the remote controller for an extended period in an area where temperatures exceed 140°F (60°C).

Locking doors

1. Close all of the doors.
2. Push the  button on the multi-remote controller.
3. All of the doors lock.
4. The parking lights flash twice and the horn chirps to verify all the doors are locked.





Unlocking doors

1. Push the  button on the multi-remote controller. Only the driver side door unlocks.
2. The interior lights come on and stay on for 30 seconds.
3. Push the  button on the multi-remote controller again within five seconds. The passenger doors and the rear door unlock.

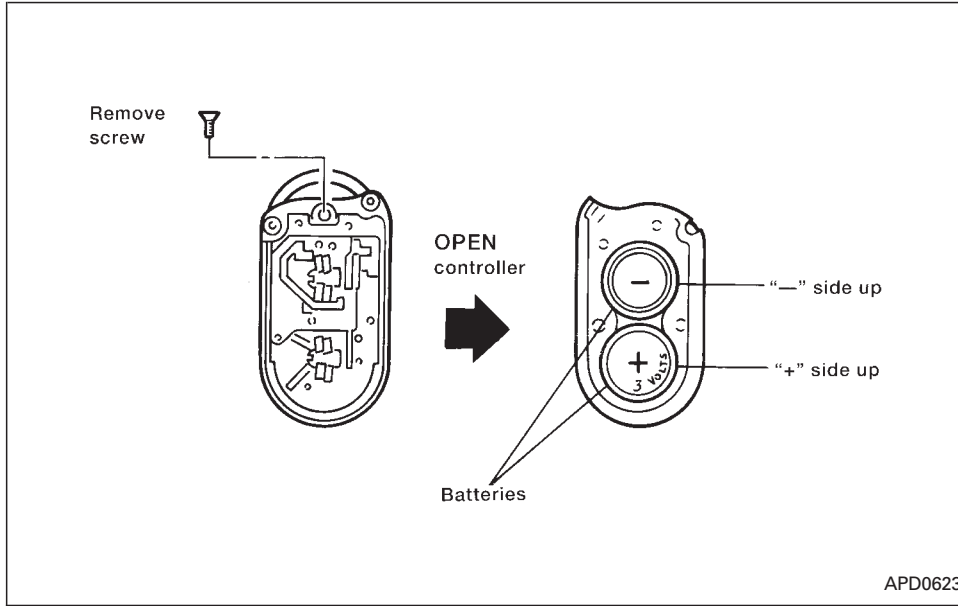
The interior lights can be turned off without waiting 30 seconds by either turning the ignition to ON or locking the doors with the multi-remote controller.

Using the panic alarm

If you are near your vehicle and feel threatened, you may activate the panic alarm to call attention as follows:

1. Push the  button on the remote controller for at least one full second.
2. The theft warning alarm (horn) sounds and the headlights and tail lights flash for 30 seconds.
3. The panic alarm stops when:
 - it has run for 30 seconds, or
 - the  or the  button are pressed, or
 - the  button is released and re-pushed.



BATTERY REPLACEMENT



Replace the two batteries as follows:

1. Remove the screw and open the lid.
2. Replace the batteries with new ones. Insert the batteries as illustrated above.

Recommended batteries: Sanyo CR2016 or equivalent.

3. Close the lid securely and install the screw.
4. Press the  button, then the  button

two or three times to check the multi-remote controller operation.

If the batteries are removed for any reason other than replacement, perform step 4 above.

- An improperly disposed battery can hurt the environment. Always confirm local regulations for battery disposal.
- The multi-remote controller is water-resistant; however, if it does get wet, immediately wipe completely dry.
- The operational range of the multi-remote controller extends to approximately 49 ft (15 m) from the vehicle. This range may vary with conditions.

FCC Notice:

This device complies with FCC rules part 15. Operation is subject to the following two conditions: (1) This device may not cause harmful interference and (2) This device must accept any interference that may be received, including interference that may cause undesired operation.

The transmitter has been tested and complies with FCC and DOC/MDC rules. Changes or modifications not expressly

approved by the party responsible for compliance could void the user's authority to operate the device.

Illuminated entry system

All models

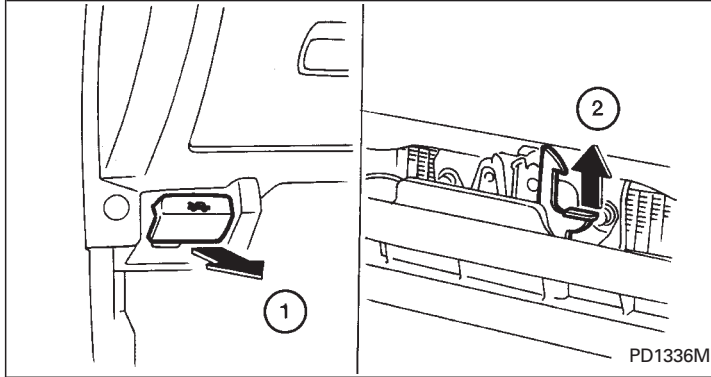
The interior lights, the cargo light, the step-well lights near the sliding door and on the front doors, and the footwell lights near the driver's and front passenger's feet illuminate when the front and sliding doors are opened. These lights gradually dim to off within 30 seconds or turn off immediately when the key is turned to ON.

Battery saver

If the vehicle doors are not fully closed and the interior lights remain illuminated, they eventually turn off automatically to prevent the battery from becoming discharged. Lights that illuminate when the front doors and/or the sliding door are open turn off after approximately 30 minutes. Lights that illuminate when the back door is open turn off after approximately 60 minutes.

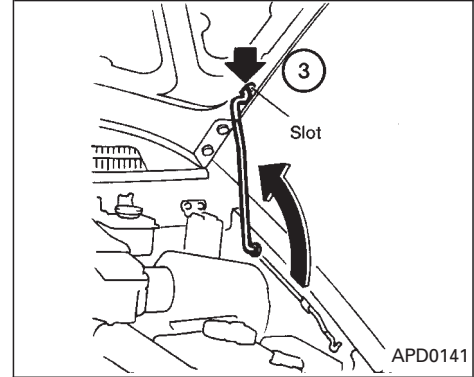
If the personal reading lamp is left on when the key is removed from the ignition, it turns off automatically in 30 minutes.

HOOD RELEASE

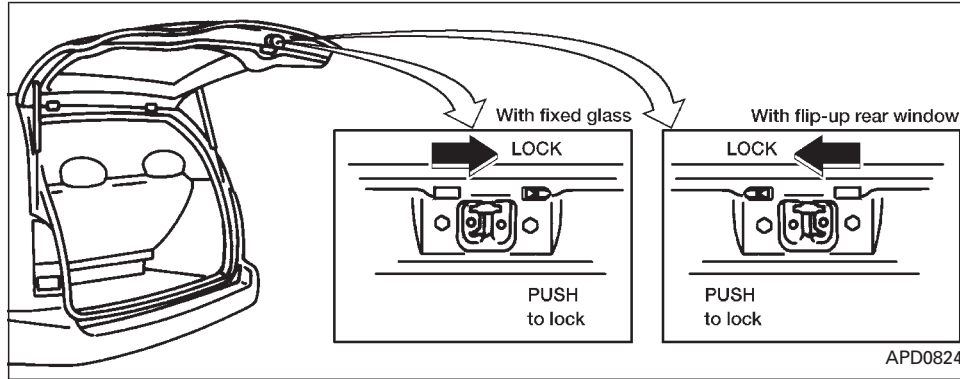


1. Pull the hood lock release handle (1) located below the instrument panel; the hood then springs up slightly.
2. Pull up on the lever (2) at the front of the hood and raise the hood.

3. Insert the support rod (3) into the slot on the underside of the hood.
4. When closing the hood, reset the support rod to its original position, then slowly close the hood and make sure it locks into place.



REAR DOOR LOCK



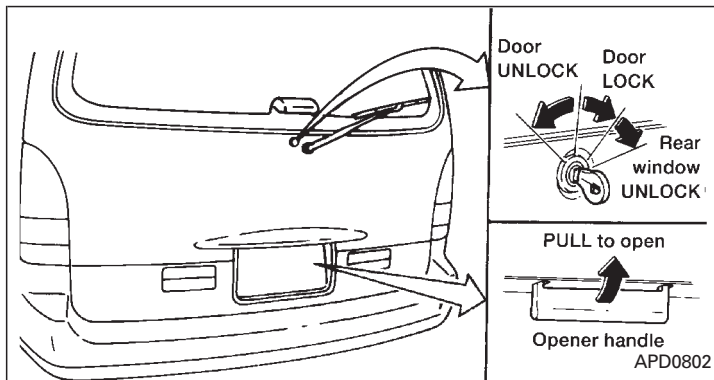
Key operation

To unlock the rear door, turn the key counterclockwise. To open the rear door, lift up on the opener handle near the license plate. To close, lower and push the rear door down securely.

To lock the rear door without the key, set the lock lever to the lock position following the “Push to Lock” instructions near the latch, then close the rear door securely.

WARNING

Do not drive with the rear door or glass open. This could allow dangerous exhaust gases to be drawn into the vehicle.

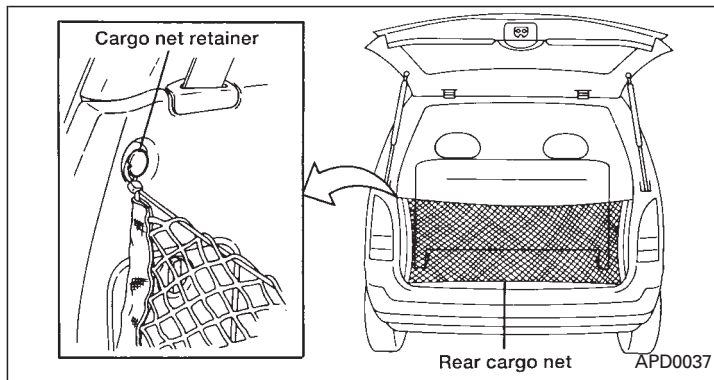


To lock the rear door with the key, turn the key clockwise as shown in the illustration. Turning the key fully clockwise unlocks the rear window on models equipped with the flip-up rear window. The rear wiper automatically lowers when the key is turned fully clockwise. Do not force the wiper to lower by hand.

To close the rear window, firmly push on the window until it locks in place.

The rear door cannot be opened if the flip-up rear window is raised.

CARGO NET



The cargo net keeps packages in the cargo area from moving around while your vehicle is driven.

To install the cargo net, attach the four loops to the four retainers.

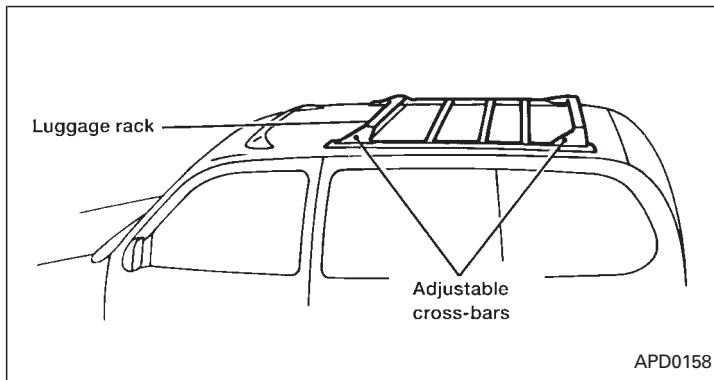
To remove the cargo net, detach the four loops from the cargo net retainers.

⚠ WARNING

To prevent luggage or packages from sliding forward during braking, do not stack anything in the cargo area higher than the seatbacks.

Be sure to secure all four loops onto the retainers. The cargo restrained in the net must not exceed 50 lbs. (22.7 kg) or the net may not stay secured.

LUGGAGE RACK



Always distribute the luggage evenly on the luggage rack. Do not load more than 100 pounds (45 kg). Be careful that your vehicle does not exceed the Gross Vehicle Weight Rating (GVWR) or its Gross Axle Weight Rating (GAWR front and rear). The GVWR and GAWR are located on the Safety Compliance Certification Label (located on the driver's door pillar). For more information regarding GVWR and GAWR, refer to "Technical and Consumer Information".

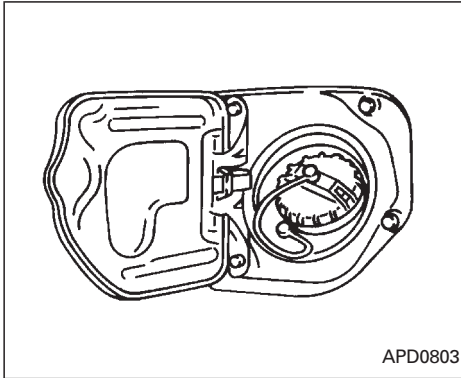
The front and rear cross-bars can be adjusted forward and backward. Place your luggage between the bars, adjust the bars,

and secure the luggage with rope to the bars. There are also adjustable loops on the side bars for the rope attachment.

WARNING

- Use care when placing or removing items from the luggage rack. If you cannot comfortably lift the items onto the luggage rack from the ground, use a ladder or stool.

FUEL FILLER LID AND CAP



APD0803

To open the fuel filler lid, grasp the right hand edge of the lid and pull.

The fuel filler cap is a screw-on ratcheting type. Tighten the cap clockwise until ratcheting clicks are heard. Ensure the plastic tether doesn't get caught between the gas cap and the fuel filler neck.

CAUTION

- **Gasoline is extremely flammable and highly explosive under certain conditions. Always stop the engine and do not smoke or allow open flames or sparks near the vehicle when refueling.**
- **Fuel may be under pressure. Turn the cap one-half turn, and wait for any "hissing" sound to stop to prevent fuel from spraying out and possible personal injury. Then remove the cap.**
- **Use only a genuine NISSAN fuel filler cap as a replacement. It has a built-in safety valve needed for proper operation of the fuel system and emission control system. An incorrect cap can result in a serious malfunction and possible injury.**

SEATS/FLOOR MATS

SEATING ARRANGEMENTS

Many different arrangements for passenger seating or cargo hauling are available as you will see in the following illustrations. The second row seats may be removed and the third row seat may be moved forward to the second row seating position. The second and third row seats have an optional fold-down table-top feature. This offers a variety of uses for the vehicle when moving or stopped.

The illustrations shown reflect the different seating positions available.

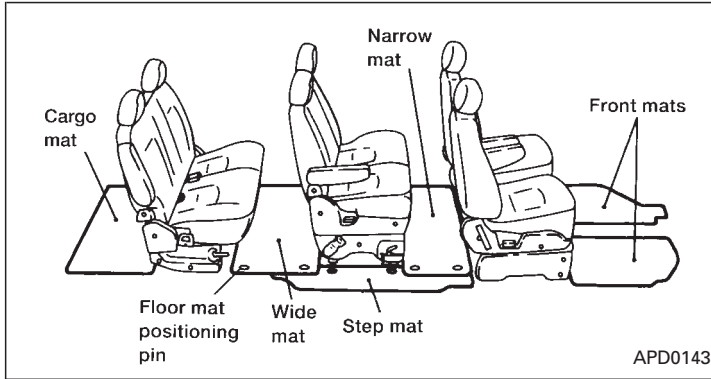
Before you begin to arrange the seats in your vehicle, read all of the cautions and warnings in this chapter, including the following section on the removable floor mats. Also observe any labels that are in the vehicle.

 **WARNING**

- While the vehicle is in motion, passengers should always be seated in a forward facing direction in a seat which is properly secured and adjusted. Seat belts should always be used. Sitting without a seat belt in a seat that is not properly secured in one of the locations shown in this chapter, or in a place without a seat and seat belt can result in personal injury in a sudden stop or collision.
- Do not place hard items such as coffee mugs or drinking glasses on the tabletop seats when the vehicle is moving. Any item can become a projectile inside a vehicle involved in a collision. To help prevent personal injury, never leave loose items on the fold-down tabletop seats when the vehicle is moving.
- It is extremely dangerous to ride in a cargo area inside of a vehicle. In a collision, people riding in these areas are more likely to be seriously injured or killed.

- Do not allow people to ride in any area of your vehicle that is not equipped with seats and seat belts.
- Be sure everyone in your vehicle is in a seat and using a seat belt properly.

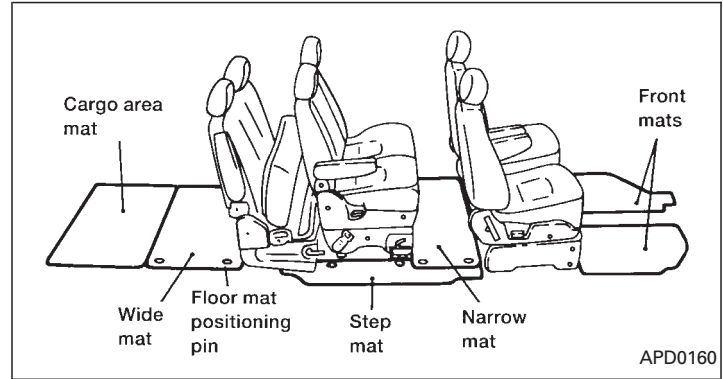
FLOOR MAT POSITIONING



SEVEN PASSENGER SEATING

Removable floor mats

Whenever you remove the mats for any reason, the mats must be reinstalled before passengers ride in your vehicle. The floor mats are specifically designed to keep objects out of the seat tracks.



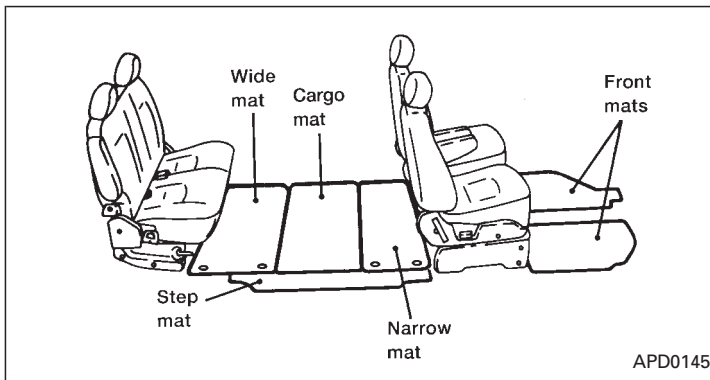
THREE-PASSENGER BENCH SEAT IN STORAGE POSITION

⚠ WARNING

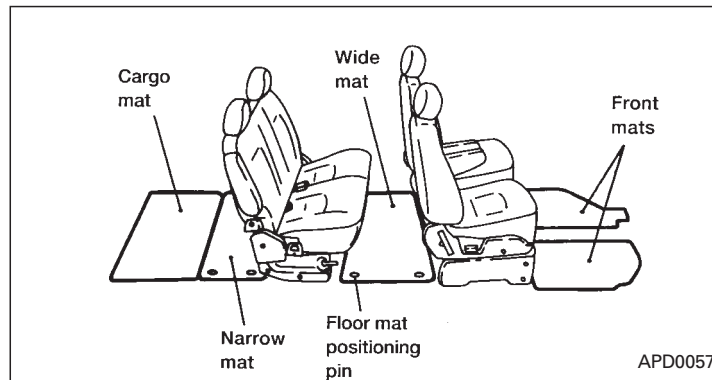
It is important to replace the floor mats whenever they are removed for any reason. The floor mats are intended to help prevent the possibility that high heeled shoes or similar objects might become stuck in the seat tracks. Failure to replace the floor mats might result in personal injury.

Be sure to keep the seat tracks clear of debris by cleaning them periodically.

Review the following illustrations so you will know the proper way to place the floor mats with the various seating arrangements available in your vehicle.

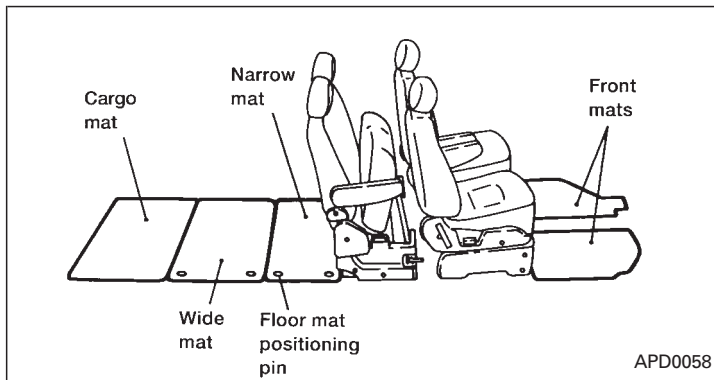


FIVE PASSENGER SEATING



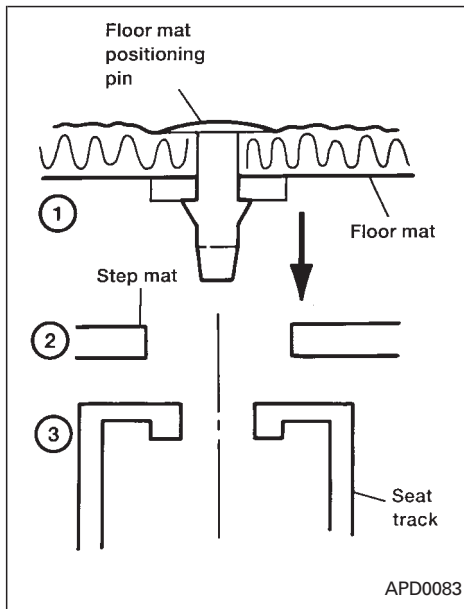
FIVE PASSENGER SEATING WITH CARGO ROOM

The step mat is not used in this seating configuration.



THREE-PASSENGER BENCH SEAT IN FULLY FORWARD POSITION

The step mat is not used in this seating configuration.



FLOOR MAT POSITIONING PINS

Positioning pins are attached to three of the floor mats. The cargo mat and front mats do not have pins. However, the front floor mats each have a grommet which is placed over

the floor mat positioning brackets located at the base of the front seats.

Push the positioning pins into the seat tracks to ensure correct installation, then straighten the mats as necessary.

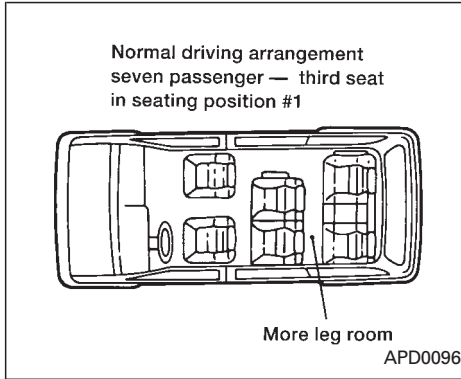
The step mat has holes in addition to pins. When the mats are arranged properly, the positioning pins of the two mats on either side of the step mat should fit through the holes in the step mat and into the seat track.

WARNING

- No occupant should ride in a vehicle seat unless it is in a normal riding arrangement and the seat belts are properly used.
- While driving, never allow anyone to ride in the cargo area. It is not designed for passengers. They could be injured in sudden braking or collision.
- To prevent luggage or packages from sliding forward during braking, do not stack anything in the cargo area higher than the seatbacks.

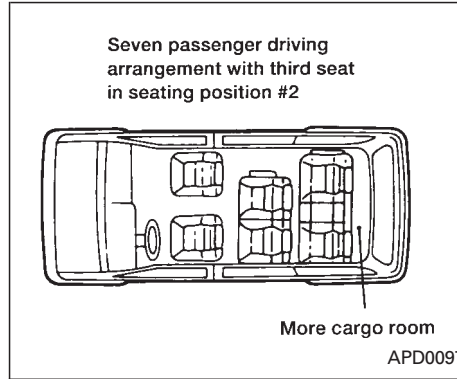
- Failure to follow proper seating instructions in this section could result in serious personal injury in an accident or during a sudden stop.

SEAT POSITIONS

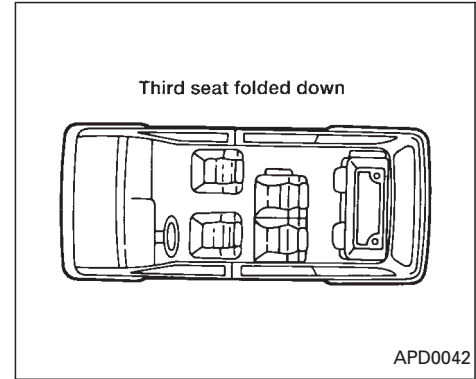


WITH SECOND ROW BENCH SEAT

The most common seating arrangement for seven passengers is with the three-passenger bench seat in seating position #1. This provides more leg room for the passengers sitting in the third row.

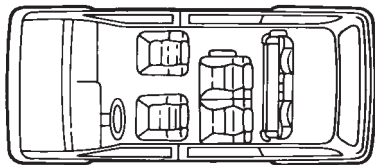


When more cargo area room is necessary, the three-passenger sliding bench seat can be moved to seating position #2. This seating arrangement provides less leg room for third row passengers, but more cargo area room.



The fold-down tabletop seats in the second and third rows provide a surface for eating or playing games on long trips.

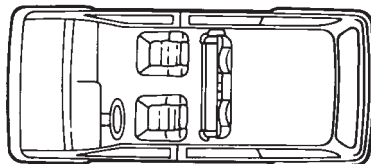
Third seat folded up in storage position #2



APD0043

If a considerable amount of cargo area room is needed, the seat cushion of the three-passenger sliding bench seat can be flipped up and the seat can be moved up to storage position #2, just behind the second row seat.

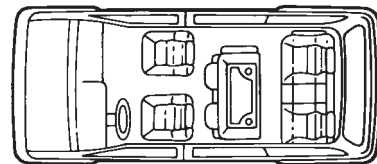
Third seat folded up in storage position #1, second seat removed



APD0049

When maximum cargo area is needed and there are no rear seat passengers, the second row seat can be removed and the three-passenger sliding bench seat can be moved up to storage position #1, just behind the front seats.

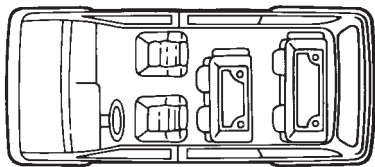
Second row seat folded down



APD0044

The second row bench seat can be folded down to serve as a tabletop for passengers sitting in the three-passenger bench seat.

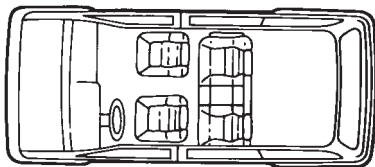
Second and third row seats folded down



APD0045

The second and third row bench seats can be folded down to tabletops.

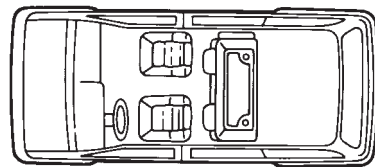
Third seat in second position with second row seat removed



APD0046

To increase cargo area space, the second row bench seat can be removed and the three-passenger sliding seat can be moved up to the second row position.

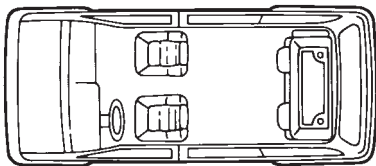
Third seat folded down in second seating position with second row seat removed



APD0047

The third seat can be folded down into a tabletop.

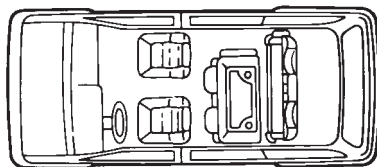
Second row seat removed, third row seat folded down



APD0048

With the third seat folded down and the second seat removed, cargo can be placed in between the front seats and the third row seat. **People should not be allowed to ride in areas meant for cargo. Passengers should always be properly restrained in seat belts.**

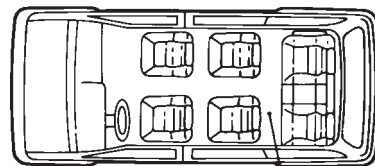
Second seat folded down, third seat folded up



APD0050

The second row seat can be folded down and the third row seat can be moved just behind it in a storage position.

Seven passenger seating with bucket seats in second row — third seat in seating position #1

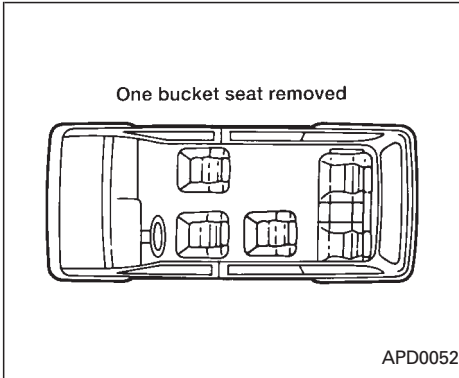


More leg room

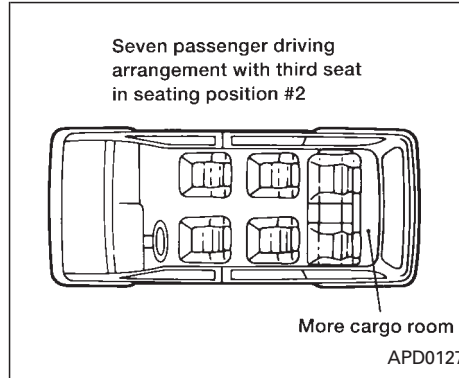
APD0128

WITH SECOND ROW BUCKET SEATS

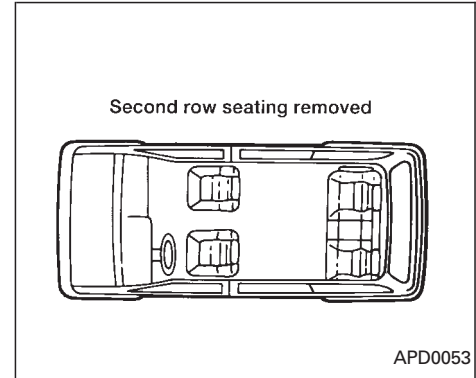
The normal seating arrangement for seven passengers is with the three-passenger bench seat in seating position #1. This provides more leg room for the passengers sitting in the third row.



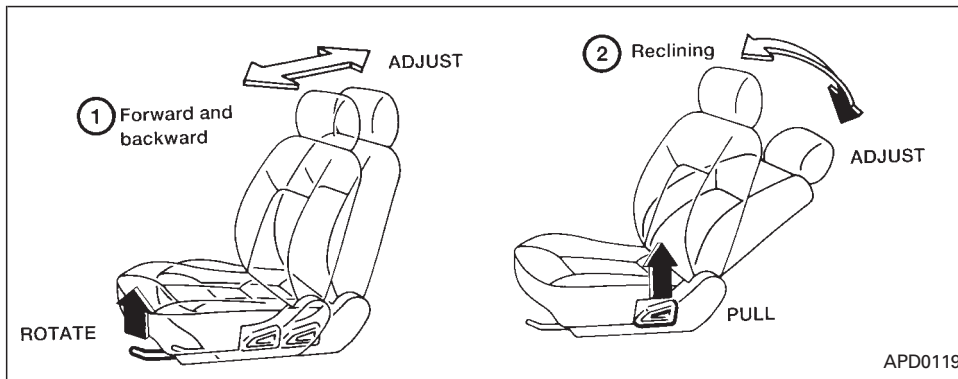
When one passenger in the three-passenger bench seat would like more leg room, one of the second row bucket seats can be removed.



When more cargo area room is necessary, the three-passenger sliding bench seat can be moved to seating position #2. This seating arrangement provides less leg room for third row passengers, but more cargo area room.



If passengers in the three-passenger bench seat would like more leg room, both second row bucket seats can be removed. **The floor area should never be used by passengers. Passengers should always be properly restrained by seat belts.**



MANUAL FRONT SEAT ADJUSTMENT

⚠ WARNING

- **Do not adjust the driver's seat while driving. The seat may move suddenly and could cause loss of control of the vehicle.**
- **After adjustment, gently rock in the seat to make sure it is securely locked.**

① Forward and backward

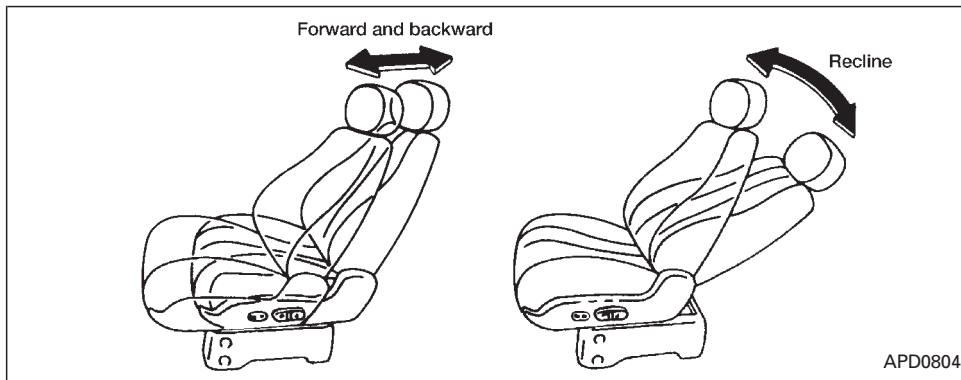
Rotate the lever up while you slide the seat forward or backward to the desired position. Release the lever to lock the seat in position.

② Reclining

Pull the lever up and lean back until the desired angle is obtained. To bring the seatback forward again, pull the lever and move your body forward. The seatback moves forward. Release the lever to lock the seatback in position.

⚠ WARNING

The seatback should not be reclined any more than needed for comfort when the vehicle is moving. Seat belts are most effective when the passenger sits well back and straight up in the seat. If the seat is reclined, the risk of sliding under the lap belt and being injured is increased.



POWER SUPPORT FRONT SEAT

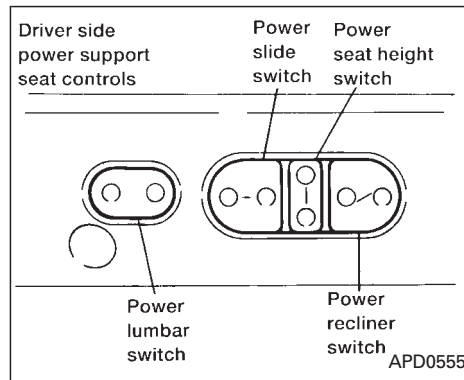
⚠ WARNING

- Do not adjust the driver's seat while driving.
- The seatback should not be reclined any more than needed for comfort when the vehicle is moving. Seat belts are most effective when the passenger sits well back and straight up in the seat. If the seat is reclined, the risk of sliding under the lap belt and being injured is increased.

- Do not leave children unattended inside the vehicle. They may inadvertently activate switches.

Operating tips

- The motor has an auto-reset overload protection circuit. If the motor stops during operation, wait 30 seconds, then reactivate the switch.
- Do not operate the power support seat for a long period of time when the engine is off. This discharges the battery.



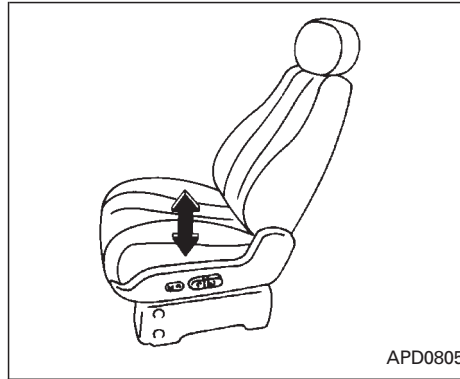
The passenger seat only has the power slide switch and the power recliner switch.

Forward and backward adjustment

To move the seat forward, push the raised side of the power slide switch. To move the seat backward, push the indented side of the switch. Release the switch to stop the movement of the seat.

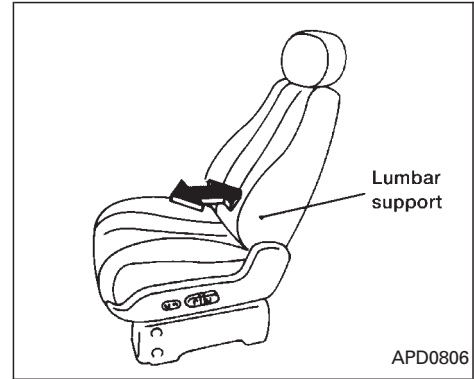
Reclining

To recline the seat, push the indented side of the power recliner switch. To return to a more upright position, push the raised side of the switch. Release the switch to stop the movement of the seatback.



Seat height adjustment

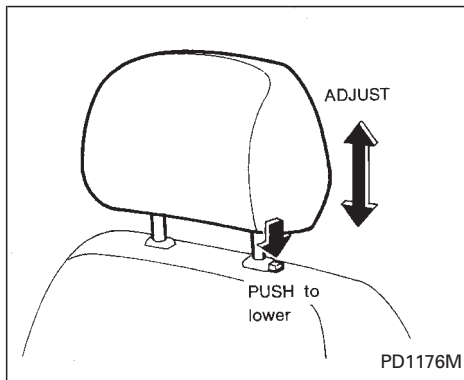
To raise the height of the seat, push the raised side of the power seat height switch and release it when the desired position has been reached. To lower the height of the seat, push the indented side of the switch and release it when the desired position has been reached.



Lumbar support

To inflate the lumbar support, push the raised side of the power lumbar switch and release it when the desired position has been reached. To deflate the lumbar support, push the indented side of the switch.

The power lumbar pump motor continues to operate after the lumbar support is fully inflated. Release the switch when the lumbar stops inflating.



HEAD RESTRAINTS

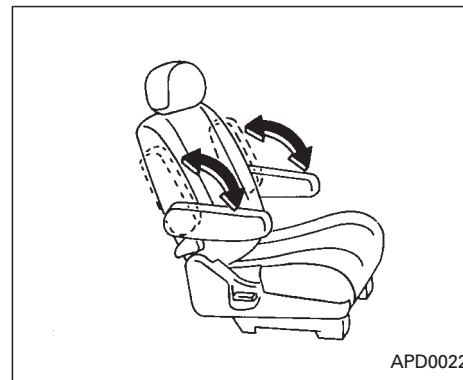
Adjust the top of the head restraints level with the top of your ears.

To raise the head restraint, pull it up. To lower, push in the release button and push the head restraint down. To remove the head restraint, push in the button and pull the head restraint up.

WARNING

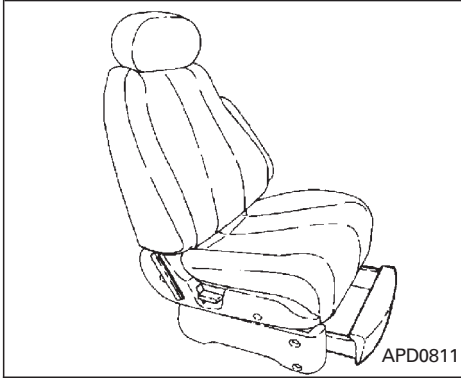
- Head restraints should be adjusted properly as they may provide significant protection against whiplash injury. Always replace and adjust them properly if they have been removed for any reason.
- If the head restraints are removed for any reason, they should be securely stored to prevent them from causing damage to passengers or the vehicle in case of sudden braking or collision.

Some seat arrangements may require removal of the head restraints when the seat is in a storage position and not to be used by passengers.



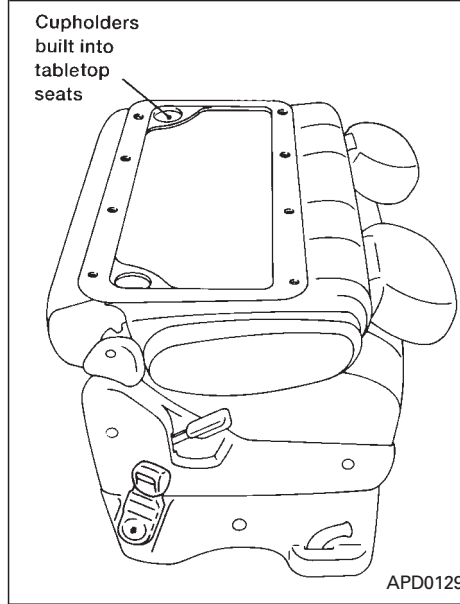
ARMRESTS

To use the armrests on any seat, pull them down to the resting position.



UNDERSEAT STORAGE TRAY

Some front passenger seats have an under-seat storage tray.



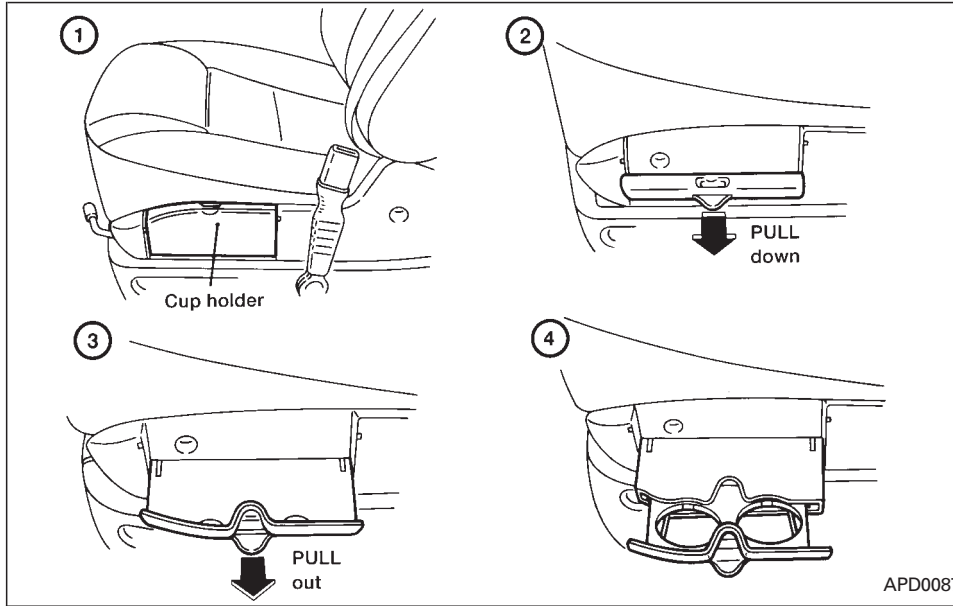
TABLETOP SEATS

The second and third row seats convert to tabletop with built-in cupholders. To use the tabletop seats, lift up on the seatback release lever and fold the seatback forward.

WARNING

- Never place hard items such as coffee mugs or drinking glasses on the tabletop seats when the vehicle is moving. Any item can become a projectile inside a vehicle involved in a collision. To help prevent personal injury, never leave loose items on the folded-down tabletop seats when the vehicle is moving.
- Do not use the tabletop and cup holder feature while the vehicle is in motion unless you are properly seated with your seat belt on.

CUP HOLDER



To use the cup holder, pull the cover away from the side of the front passenger seat. Pull the cup holder out of the cover.

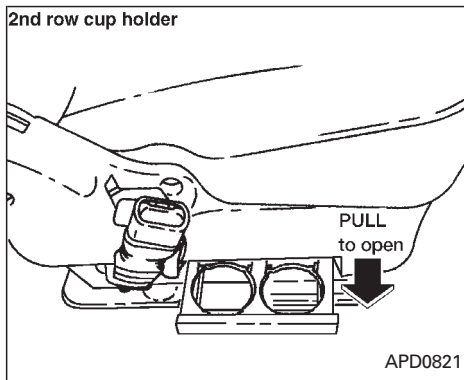
To store the cup holder, push it back into the cover and lift the cover to its original position against the side of the seat.

order that full attention may be given to the driving operation.

- Avoid abrupt starting and braking when the cup holder is being used to prevent spilling the drink. If the liquid is hot it can scald you or your passenger.

WARNING

- The driver should not pull out the cup holder or remove or insert cups into the cup holder while driving in

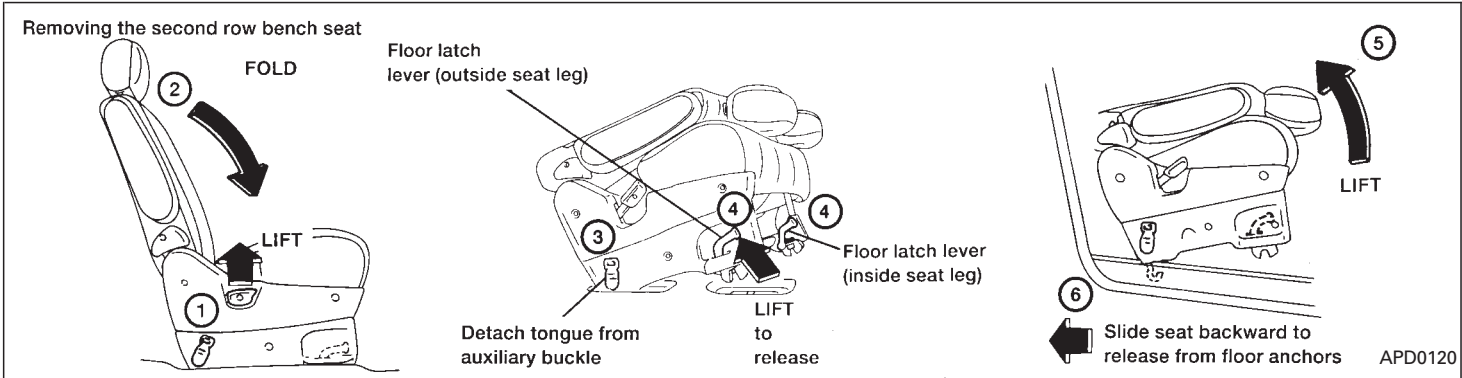


Second row cup holder (If so equipped)

Vehicles equipped with Captain's chairs in the second row have a cup holder attached to the side of the left seat.

Simply pull the cup holder out from the seat to use.

FLEXIBLE SEATING



Removing and installing the second row bench seat

⚠ WARNING

- Do not remove or install seats while the vehicle is moving.
- The seats are heavy. Two people should remove or install them.
- After adjustment, gently rock in the seat to make sure it is securely locked.
- The seatback should not be reclined any more than needed for comfort when the vehicle is moving. Seat

belts are most effective when the passenger sits well back and straight up in the seat. If the seat is reclined, the risk of sliding under the lap belt and being injured is increased.

- When adjusting or moving any of the seats in your vehicle, do not use any of the seat belt buckles, tongues, or webbing to carry or move the seats. Lifting the seats by any of the seat belts could damage them. Damaged seat belts should be replaced at your NISSAN dealer. Failure to follow

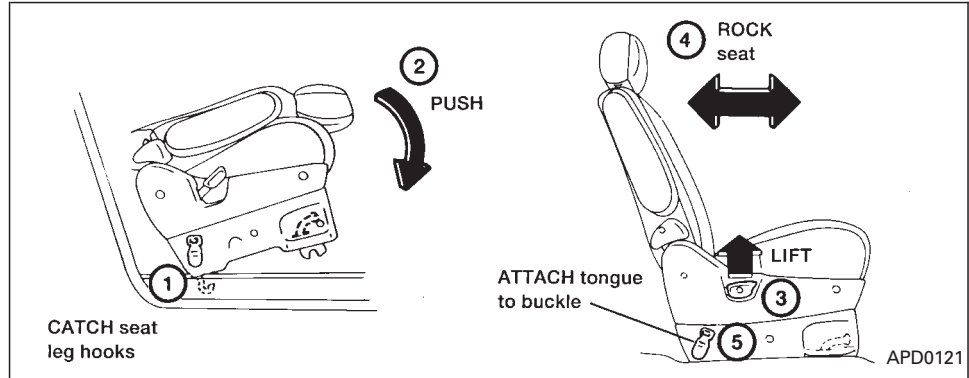
these instructions could increase the chance and/or severity of injury in an accident.

1. Lift up the recliner lever.
2. Fold the seatback fully forward.
3. Detach the single window tongue from the auxiliary buckle mounted to the side of the seat and store the tongue out of the way. (For detailed information, see “Two buckle seat belt system for the second row bench seat” later in this section.)

4. Unlock the seat legs at the two front floor latch levers.
5. Lift the front of the seat.
6. Slide it rearward off the rear anchor positions.

⚠ WARNING

The seats are heavy. Two people should remove or install them.



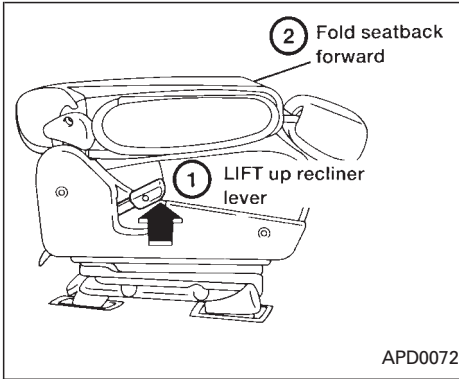
Installing the second row bench seat

Clean the area around the seat leg floor anchors before installing seat.

1. With the seatback fully folded, place the seat behind the floor anchors and catch the seat leg hooks into each floor anchor.
2. Push down on the front of the seat cushion to secure the two front floor latches.
3. Lift up the recliner lever and raise the seatback.
4. Rock the seat back and forth to be sure

all four seat legs are securely latched.

5. Insert the single window tongue into the auxiliary buckle mounted to the side of the seat.



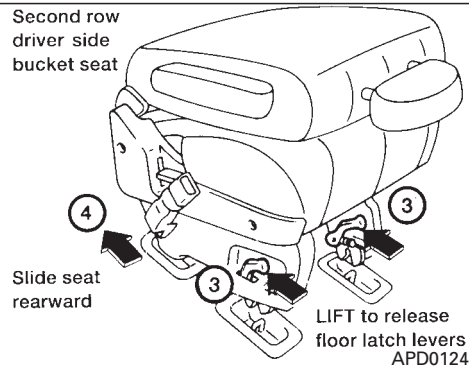
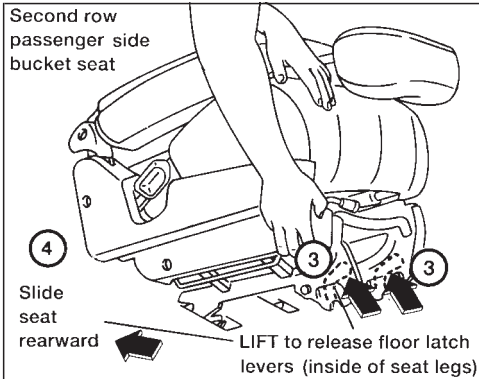
Removing second row bucket seats

⚠ WARNING

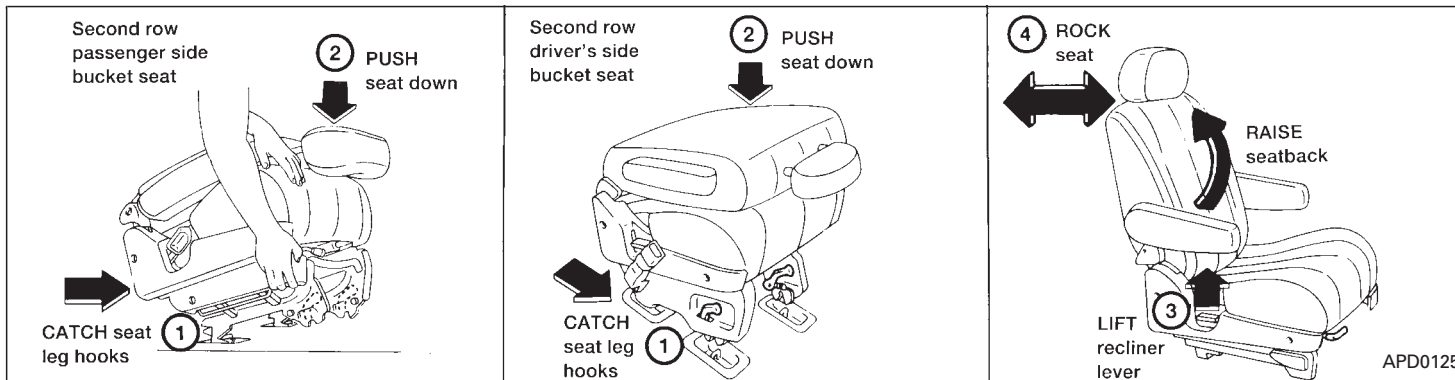
- Do not remove or install seats while the vehicle is moving.
- The seats are heavy. Two people should remove or install them.
- After adjustment, gently rock in the seat to make sure it is securely locked.

- The seatback should not be reclined any more than needed for comfort when the vehicle is moving. Seat belts are most effective when the passenger sits well back and straight up in the seat. If the seat is reclined, the risk of sliding under the lap belt and being injured is increased.
- When adjusting or moving any of the seats in your vehicle, do not use any of the seat belt buckles, tongues, or webbing to carry or move the seats. Lifting the seats by any of the seat belts could damage them. Damaged seat belts should be replaced at your NISSAN dealer. Failure to follow these instructions could increase the chance and/or severity of injury in an accident.

1. Lift the recliner lever.
2. Fold the seatback fully forward.



3. Unlock the seat legs at the two front floor latch levers.
4. Lift the front of the seat and slide it rearward off the rear anchor positions.



Installing the bucket seats

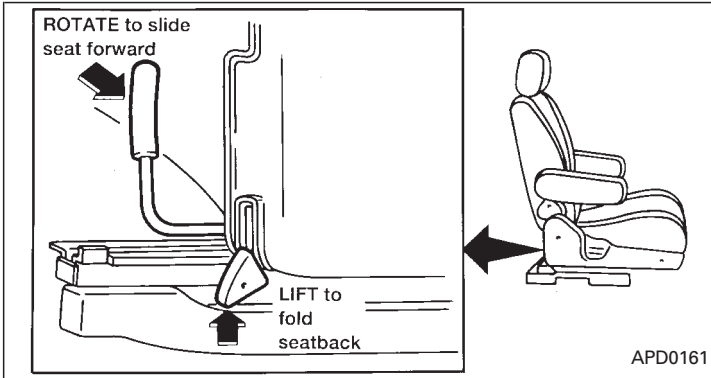
Clean the area around the seat floor attachment.

1. With the seatback fully folded, place the seat behind the floor anchors and slide seat leg hooks so they catch into each floor anchor.
2. Push down on the front of the seat to secure the two front floor latches.
3. Lift the recliner lever and raise the seatback.

4. Rock the seat back and forth to be sure it is securely latched.
5. Lift up on seatback recliner lever to adjust the seatback to the upright position.

⚠ CAUTION

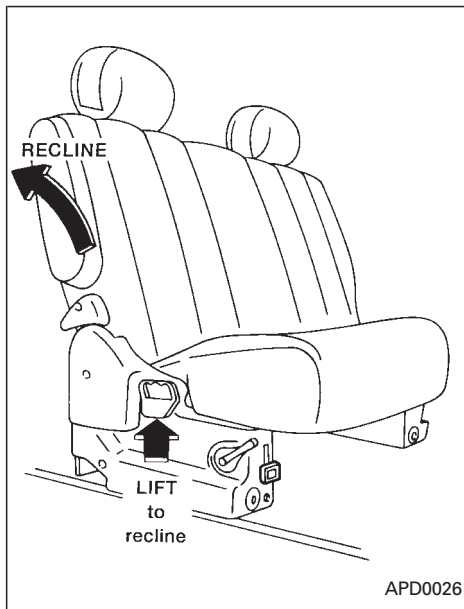
The second row bucket seats are not interchangeable. If you are having difficulty installing the seats, you may have them in the wrong location.



Second row passenger side bucket seat

The bucket seat near the sliding door can be moved forward to allow easier entry and exit for third seat passengers. There are also levers behind the bucket seat which allow third seat passengers to move the bucket seat forward without help from another passenger.





SLIDING THREE-PASSENGER SEAT

Reclining

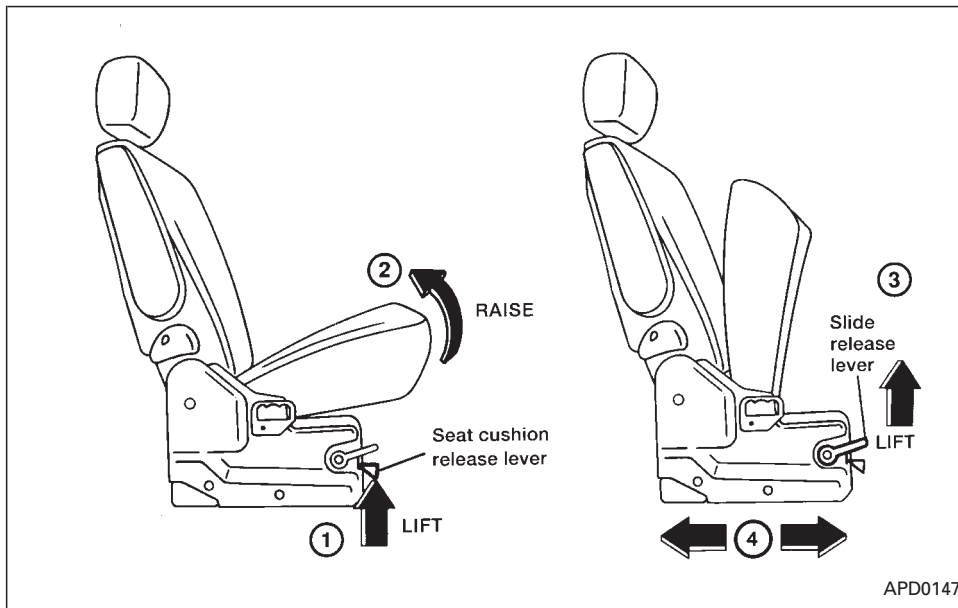
To recline the three-passenger seat, lift up on the lever and lean back until you reach the desired angle. To bring the seatback forward, pull the lever up and lean your body forward.

Some three-passenger seats do not have the recline feature.

WARNING

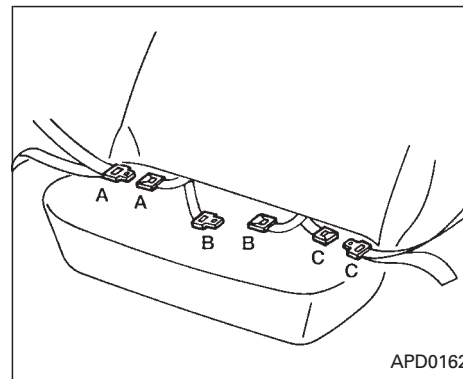
- Do not recline the seatback while the vehicle is moving.
- The seatback should not be reclined any more than needed for comfort when the vehicle is moving. Seat belts are most effective when the passenger sits well back and straight up in the seat. If the seat is reclined, the risk of sliding under the lap belt and being injured is increased.

- After adjustment, gently rock in the seat to be sure both sides are securely locked.



Sliding the three-passenger seat

Before sliding the seat, fasten the center belt tongue to the center buckle and remove the appropriate floor mats.

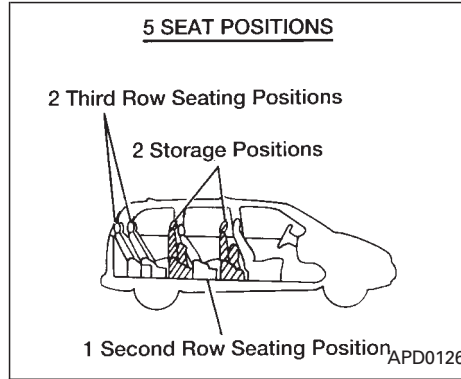


1. Lift the seat cushion release lever.
2. Lift the seat cushion up into the locked position.
3. Lift the slide release lever and grasp the bar under the seat in the center.
4. Slide the seat until locked at a passenger seating position or a storage position. After the seat starts moving, release the slide lever. The seat latches at the next latching position. Continue to lift and release the slide lever until the desired position is obtained.

To lower the cushion, the seat must be

locked at a passenger seating position. Lift the seat cushion release lever and lower the cushion until locked.

The seat cushion cannot be lowered in a storage position. This prevents a passenger from using a seat or seat belt that is out of a seating position.



The seating system allows great flexibility. Proper usage is important to your safety.

⚠ WARNING

- Do not slide the seat while the vehicle is moving.
- After adjustment, gently rock in the seat to be sure it is securely locked.
- After sliding the seat, check that both sides of the seat are locked securely by attempting to move each side of the seat forward and backward. This must be done before the vehicle is put into motion in order to prevent unin-

tended movement of the seat and potential passenger injuries.

- Do not attempt to use the seats placed into a storage position for passengers because in this position the seat belts will not protect the occupants. Be sure to use the proper seat belts for each seat location. Improper seat belt usage will increase the risk of severe injury in an accident.
- When the vehicle is being used to carry cargo, be sure contents are secure so that during a sudden stop or collision, they do not become projectiles.
- Be careful not to damage the seat belt. Never allow anyone to ride in the cargo area or on a seat that is in a storage position. It is not designed for passengers. They could be injured in sudden braking or a collision.
- To prevent luggage or packages from sliding forward during braking, do not stack anything in the cargo area higher than the seatbacks.

- **Be sure to replace and reposition floor mats as discussed in “Floor mat positioning” in this section.**

 **WARNING**

The three-passenger sliding bench seat is not intended to be removed from the vehicle by consumers. However, if it must be removed, have a qualified person remove it. That person should refer to the instructions in the Service Manual. When seat is reinstalled, the attaching bolts must be tightened to the appropriate torque specifications. Failure to follow these instructions could increase the chance and/or severity of injury in an accident.

Cleaning the seat tracks

The seat tracks for the three-passenger sliding bench seat should be cleaned periodically with a high-powered vacuum cleaner. If the seat tracks become dirty it may reduce the ability to slide the seat. A wet cleansing agent may be used if necessary, but the seat tracks must be thoroughly dried.

Use a cloth wrapped around a screwdriver (or similar object) to clean the seat tracks. Do not use your fingers to clean debris from the tracks.

Do not apply any type of lubricant to the seat tracks.

 **WARNING**

- **Never insert fingers into the seat track rails. The rails may be sharp and could cause injury.**

SUPPLEMENTAL RESTRAINT SYSTEM (AIR BAG SYSTEM)

This Supplemental Restraint System description contains important information concerning the special driver and passenger supplemental air bag. The Supplemental Restraint System Air Bag can help reduce impact force to the driver and to the front passenger in certain frontal collisions. The air bags are designed to **supplement** the crash protection provided by the seat belts and are **not a substitute** for the seat belts. The seat belts should always be correctly worn and the driver and front passenger seated a suitable distance from the steering wheel and instrument panel. (See “Seat belts” for instructions and precautions on seat belt usage.)

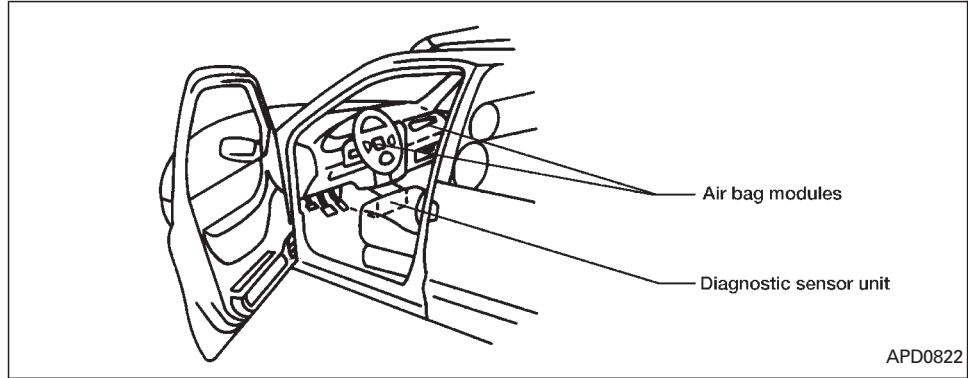
The supplemental air bags operate only when the ignition switch is in the ON or START position.

 **WARNING**

The supplemental air bag ordinarily will not inflate in the event of a side impact, rear impact, roll over, or lower severity frontal collision; so always wear your seat belts to help reduce the risk or severity of injury in various kinds of accidents.

⚠ WARNING

The seat belts and the supplemental air bag are most effective when you are sitting back and upright in the seat. Supplemental air bags inflate with great force. If you are unrestrained, leaning forward, sitting sideways or out of position in any way, you are at greater risk of injury or death in a crash and may also receive serious or fatal injuries from the supplemental air bag if you are up against it when it inflates.



Supplemental air bag system

The driver air bag is located in the center of the steering wheel; the front passenger air bag is mounted in the dashboard above the glove box. The supplemental air bag system is designed to inflate in higher severity frontal collisions, although it may inflate if the forces in another type of collision are similar to those of a higher severity frontal impact. It may not inflate in certain frontal collisions. Vehicle damage (or lack of it) is not always an indication of proper air bag operation.

When the supplemental air bag inflates, a

fairly loud noise may be heard, followed by the release of smoke. This smoke is not harmful and does not indicate a fire, but care should be taken to not intentionally inhale it, as it may cause irritation and choking. Those with a history of breathing trouble should get fresh air promptly.

The supplemental air bag, along with the use of seat belts, helps to cushion the impact force on the face and chest of the occupant. They can help save lives and reduce serious injuries. However, an inflating air bag may cause facial abrasions or other injuries. Air bags do not provide

restraint to the lower body.

The seat belts should be correctly worn and the driver and passenger seated upright as far as practical away from the steering wheel or dashboard. Since the supplemental air bag inflates quickly in order to help protect the occupant, the force of the supplemental air bag inflating can increase the risk of injury if the occupant is too close to or is against the supplemental air bag module during inflation.

The supplemental air bag deflates quickly after a collision.

The supplemental air bags operate only when the ignition switch is in the ON or START position.

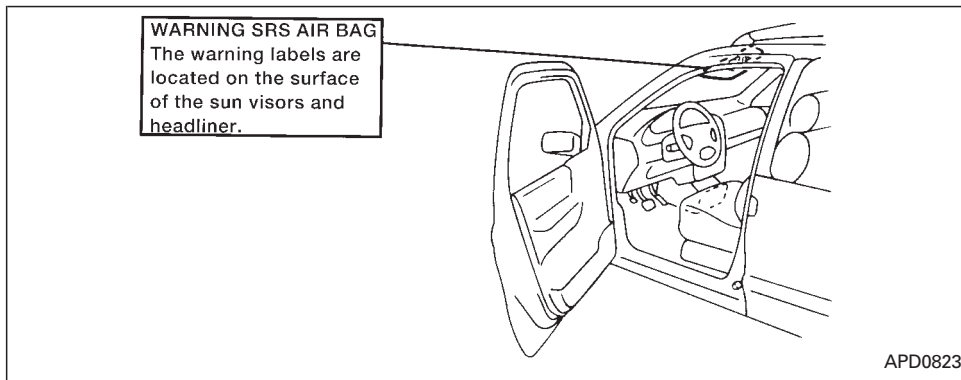
 **WARNING**

- **Right after inflation, several supplemental air bag system components will be hot. Do not touch them; you may severely burn yourself.**

- **No unauthorized changes should be made to any components or wiring of the supplemental air bag system. This is to prevent accidental inflation of the supplemental air bag or damage to the supplemental air bag system.**
- **Tampering with the supplemental air bag system may result in serious personal injury. Tampering includes changes to the steering wheel and the instrument panel assembly by placing material over the steering wheel pad and above the instrument panel, or by installing additional trim material around the supplemental air bag system.**
- **Do not place any objects on the steering wheel pad or to the instrument panel. Also, do not place any objects between any occupant and the steering wheel or instrument panel. Such objects may become dangerous projectiles and cause injury if the supplemental air bag inflates.**

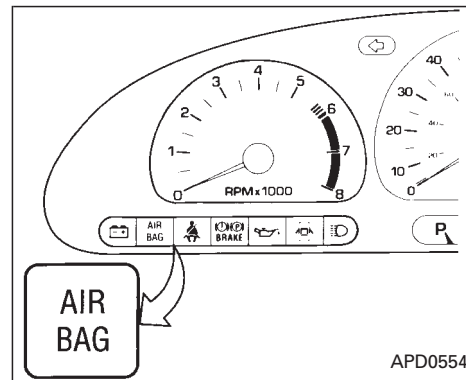
- **Work around and on the supplemental air bag system should be done by an authorized NISSAN dealer. Installation of electrical equipment should also be done by an authorized NISSAN dealer. The yellow SRS wiring should not be modified or disconnected. Unauthorized electrical test equipment and probing devices should not be used on the supplemental air bag system.**

WARNING LABELS



Warning labels about the supplemental air bag system are placed in the vehicle.

SUPPLEMENTAL AIR BAG WARNING LIGHT



The supplemental air bag light, displaying AIR BAG in the instrument panel, monitors the circuits of the supplemental air bag. The circuits monitored by the supplemental air bag light are the diagnosis sensor unit, air bag modules and all related wiring.

When the ignition key is in the ON or START position, the supplemental air bag light illuminates for about 7 seconds and then turns off. This means the system is operational.

If any of the following conditions occur, the supplemental air bag needs servicing and should be taken to your nearest authorized NISSAN dealer:

1. The supplemental air bag light does not come on for 7 seconds and then go off as described above.
2. The supplemental air bag light flashes intermittently or remains on.
3. The supplemental air bag light does not come on at all.

Under these conditions, the Supplemental Restraint System Air Bag does not operate properly. It must be checked and repaired.

Repair and replacement procedure

The supplemental air bag system is designed to inflate on a one-time-only basis. As a reminder, unless it is damaged, the supplemental air bag light remains illuminated after inflation has occurred. Repair and replacement of the supplemental air bag system should be done only by authorized NISSAN dealers. **To ensure long-term functioning, the system must be inspected 10 years after the date of manufacture as noted on the certifica-**

tion label located on the driver side front pillar.

When maintenance work is required on the vehicle, the supplemental air bag system and related parts should be pointed out to the person conducting the maintenance. The ignition key should always be in the LOCK position when working under the hood or inside the vehicle.

WARNING

- **Once the supplemental air bag inflates, the supplemental air bag module will not function again and must be replaced. The supplemental air bag module cannot be repaired.**
- **After an air bag inflates, the front instrument panel assembly should be replaced if damaged, by your NISSAN dealer.**
- **The supplemental air bag system should be inspected by an authorized NISSAN dealer if there is any damage to the front end portion of the vehicle or replaced if the supplemental air bag has inflated.**

- **When selling your vehicle, we request that you inform the buyer about the supplemental air bag system and guide the buyer to the appropriate sections in this Owner's Manual.**
- **If you need to dispose of a supplemental air bag or scrap the vehicle, contact an authorized NISSAN dealer. Correct supplemental air bag disposal procedures are set forth in the appropriate NISSAN Service Manual. Incorrect disposal procedures could cause personal injury.**

SEAT BELTS

PRECAUTIONS ON SEAT BELT USAGE

Your chances of being injured or killed in an accident and/or the severity of injury may be greatly reduced if you are wearing your seat belt and it is properly adjusted. NISSAN strongly encourages you and all of your passengers to buckle up every time you drive, even if your seating position includes an air bag.

Some states, provinces or territories require that seat belts be worn at all times when a vehicle is being driven.

WARNING

- Every person who drives or rides in this vehicle should wear a seat belt at all times. Children should be in appropriate child restraints.
- The belts should be adjusted to a snug fit. Failure to do so will reduce the effectiveness of the entire restraint system and increases the chances or severity of injury in an accident.

- Do not wear the belts inside out or twisted. Be sure the seat belt tongue is securely fastened to the proper buckle.
- Do not allow more than one person to use the same seat belt.
- All seat belt assemblies, including retractors and attaching hardware, should be inspected at your NISSAN dealer after any collision. NISSAN recommends that all seat belt assemblies in use during a collision be replaced unless the collision was minor and the belts show no damage and continue to operate properly. Seat belt assemblies not in use during a collision should also be inspected and replaced if either damage or improper operation is noted.
- Never carry more people in the vehicle than there are seat belts.

- If the seat belt warning light glows continuously while the ignition is turned ON with all doors closed and all seat belts fastened, it may indicate a malfunction in the system. Have the system checked by your NISSAN dealer.
- Be sure to observe the following cautions when using seat belts. Failure to do so could increase the chance and/or severity of injury in an accident.
- Always route the shoulder belt over your outer shoulder and across your chest. Never run the belt under your arm. Serious injury can occur if the seat belt is not worn properly.
- Position the lap belt as low as possible **AROUND THE HIPS, NOT THE WAIST.**
- Serious injury or death can occur if seat belts are not worn properly.

CHILD SAFETY

Children need adults to help protect them.

All U.S. states and provinces of Canada require the use of approved child restraints for infants and small children. (See “Child Restraints for Infants and Small Children” later in this section.)

In addition, there are many types of child restraints available for larger children which should be used for maximum protection.

Infant or small child

NISSAN recommends that infants or small children be placed in child restraint systems that comply with Federal Motor Vehicle Safety Standards or Canadian Motor Vehicle Safety Standards. You should choose a child restraint system that fits your vehicle and always follow the manufacturer’s instructions for installation and use.

Children

Children who are too large for child restraint systems should be seated and restrained by the seat belts which are provided.

NISSAN recommends that children sit in a

rear seat if possible. According to accident statistics, children are safer when properly restrained in a rear seat than in a front seat.

If the child’s seating position has a shoulder belt that fits close to the face or neck, the use of a booster seat (commercially available) may help overcome this. The booster seat should raise the child so the shoulder belt is properly positioned across the top, middle portion of the shoulder and the lap belt is low on the hips. The booster seat should fit the vehicle seat and have a label certifying that it complies with Federal Motor Vehicle Safety Standards or Canadian Motor Vehicle Safety Standards. Once the child has grown enough so the shoulder belt is no longer on or near the face and neck, use the shoulder belt without the booster seat.

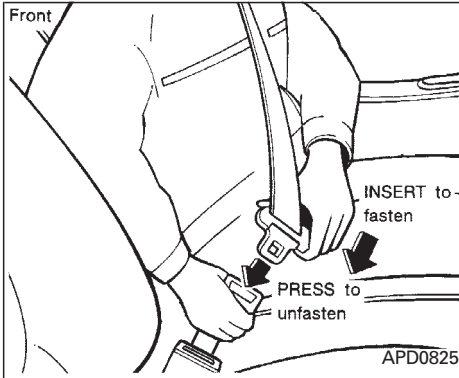
Never let a child stand or kneel on any seat and do not allow a child in the cargo areas while the vehicle is moving.

Pregnant women

NISSAN recommends that pregnant women use seat belts. Contact your doctor for specific recommendations. The lap belt should be worn snug and positioned as low as possible around the hips, not the waist.

Injured persons

NISSAN recommends that injured persons use seat belts, depending on the injury. Check with your doctor for specific recommendations.



3-POINT TYPE WITH RETRACTOR

⚠ WARNING

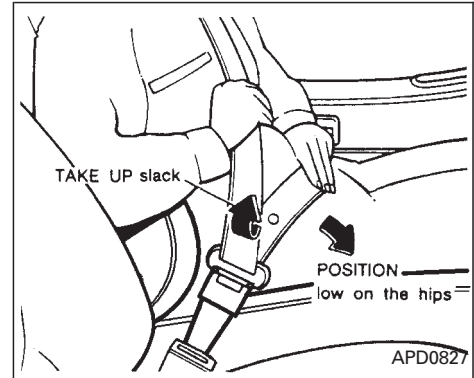
Every person who drives or rides in this vehicle should wear a seat belt at all times.

Fastening the belts

1. Adjust the seat.

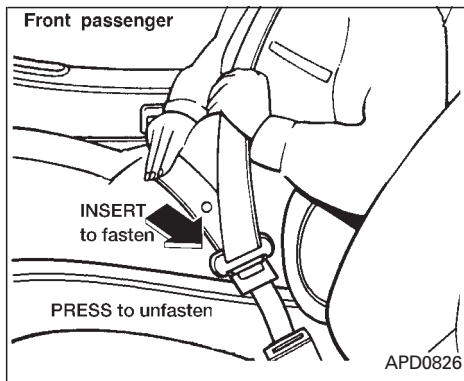
⚠ WARNING

The seatback should not be reclined any more than needed for comfort. Seat belts are most effective when the passenger sits well back and straight up in the seat. If the seat is reclined, the risk of sliding under the lap belt and being injured is increased.



2. Slowly pull the seat belt out of the retractor and insert the tongue into the buckle until it snaps.

The retractor is designed to lock during a sudden stop or on impact. A slow pulling motion permits the belt to move, and allows you some freedom of movement in the seat.



3. Position the lap belt portion **low on the hips** as shown.
4. Pull the shoulder belt portion toward the retractor to take up extra slack.

The front seat passenger side seat belt and rear 3-point seat belts have a cinching mechanism for child seat installation. It is referred to as the automatic locking mode.

When the automatic locking mode is activated the seat belt cannot be withdrawn again until the seat belt tongue is detached from the buckle and fully retracted. Refer to “Child Restraints for Infants and Small

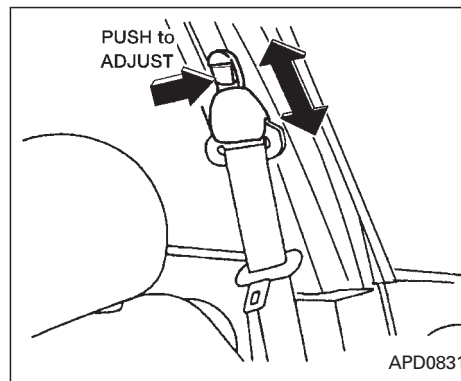
Children” later in this section for more information.

⚠ WARNING

The automatic locking mode should be used only for child seat installation. During normal seat belt use by a passenger, the locking mode should not be activated. If it is activated it may cause uncomfortable seat belt tension.

Unfastening the belts

To unfasten the belt, press the button on the buckle. The seat belt automatically retracts.

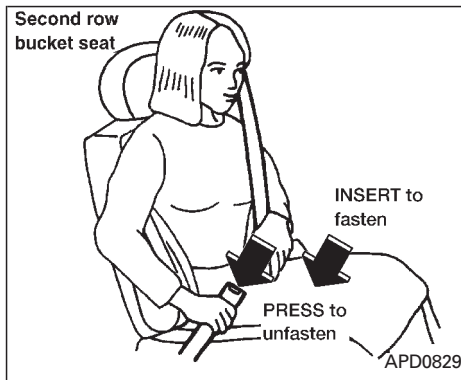


Shoulder belt height adjustment

The shoulder belt anchor height should be adjusted to the position best for you. (See “Precautions on Seat Belt Usage”.) To adjust, press the release button and move it to the desired position so the belt passes over the center of the shoulder. The belt should be away from your face and neck, but not falling off of your shoulder.

⚠ WARNING

After adjustment, release the button and check that it does not move up and down to make sure the shoulder belt anchor is securely fixed in position.



3-POINT TYPE SEAT BELT WITH RETRACTOR FOR SECOND ROW BUCKET SEATS

⚠ WARNING

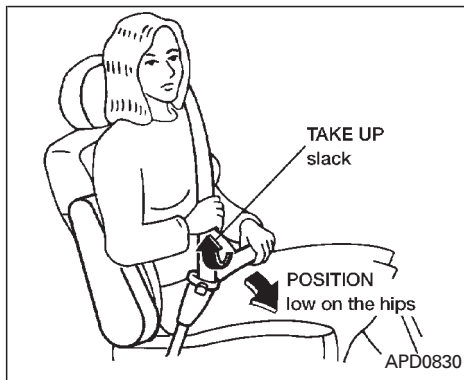
- Every person who drives or rides in this vehicle should wear a seat belt at all times.

- The seatback should not be reclined any more than needed for comfort when the vehicle is moving. Seat belts are most effective when the passenger sits well back and straight up in the seat. If the seat is reclined, the risk of sliding under the lap belt and being injured is increased.

Fastening the belts

1. Adjust the seat.
2. Slowly pull the seat belt out of the retractor and insert the tongue into the buckle until it snaps.

The retractor is designed to lock during a sudden stop or on impact. A slow pulling motion permits the belt to move, and allows you some freedom of movement in the seat.



3. Position the lap belt portion **low on the hips** as shown.
4. Pull the shoulder belt portion toward the retractor to take up extra slack.

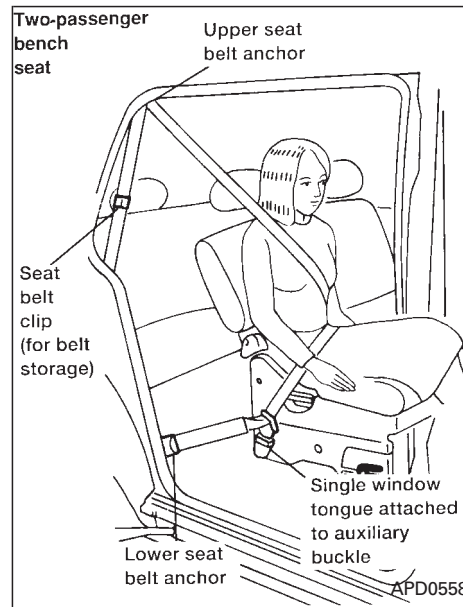
Two buckle seat belt system for the second row bench seat

There is a two buckle seat belt system for the seating position of the second row bench seat next to the sliding door.

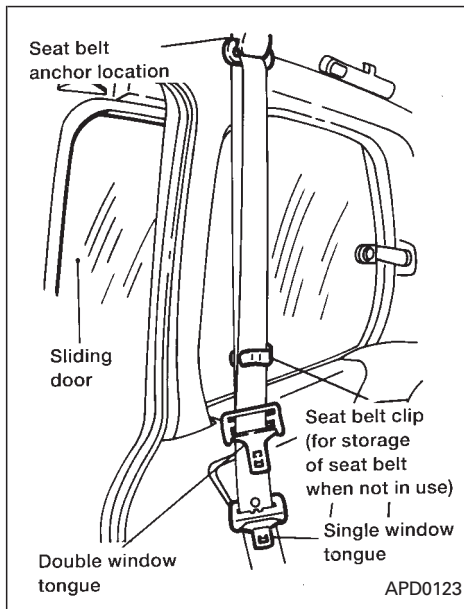
WARNING

It is very important that you follow the instructions in this section before anyone rides in this seating position of the two-passenger bench seat.

Failure to do so may result in improper positioning of seat belt which could lead to increased likelihood or severity of injury in a sudden stop or collision.



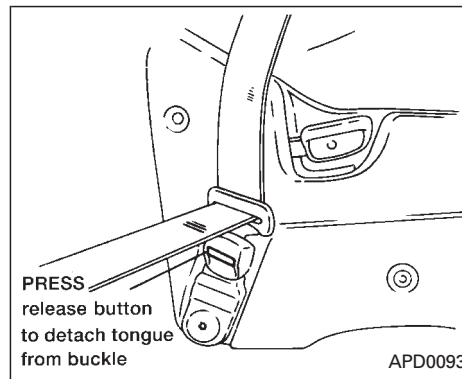
The two-passenger bench seat in the second row has a seat belt system made up of two buckles and two tongues. There are two body attaching points (one upper and one lower) that attach each end of the seat belt webbing.



One of the seat belt tongues has two “windows” (or holes) and the other has only one “window”. The seat belt tongue with one window attaches to the buckle mounted to the side of the seat. The seat belt tongue with two windows should be positioned

properly and fastened to the buckle mounted in the location in the middle of the seat.

When the two buckle seat belt system is not in use, the webbing can be secured with the seat belt clip. The seat belt clip should not be used with a child seat or during seat belt usage. The seat belt clip opening should face the front of the vehicle.



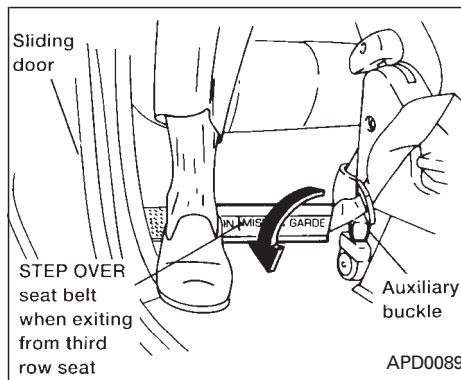
A twisted belt may prevent the retractor from working properly. If the two buckle seat belt system is twisted, disengage the single window tongue from the buckle on the side of the seat, remove the twist and reinstall the tongue into the buckle until you hear a snap and feel the latch engage.

Both tongues must be attached to their appropriate buckles whenever someone is riding in that seating position. If the tongue is released to allow a third row passenger to enter or exit, the tongue must be reattached.

When the two-passenger bench seat is re-

moved from the vehicle, you must detach the single window tongue from the auxiliary buckle.

If the three-passenger bench seat is moved up to the second row position, the outside passenger (near the sliding door) only needs to use the double window tongue and the standard buckle. Because the third row seat is so much wider and is closer to the sliding door, the single window tongue and the auxiliary buckle are not necessary.



⚠ WARNING

Third row passengers must be very careful when exiting, because of the auxiliary seat belt. It is important to step over the seat belt guide and belt webbing to avoid tripping.

Unfastening the belts

To unfasten the belt, press the button on the buckle. The seat belt automatically retracts.

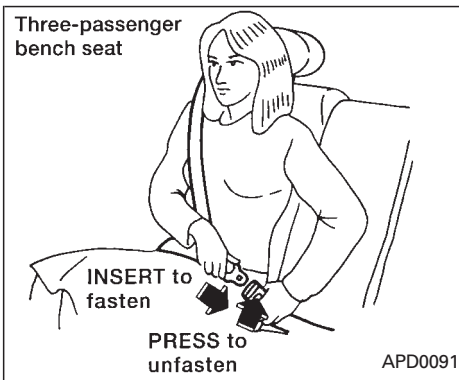
Checking seat belt operation (3-point type with retractor)

The second and third row seat belt retractors are designed to lock belt movement:

- 1) when the belt is pulled quickly from the retractor, and
- 2) when the vehicle slows down rapidly.

To increase your confidence in the belts, check their operation. Grasp the shoulder belt and pull quickly forward. The retractor should lock and restrict further belt movement.

If the retractor does not lock during this check or if you have any questions about belt operation, see your NISSAN dealer.



THREE-PASSENGER BENCH SEAT

Fastening the seat belts

1. Adjust the seat.

WARNING

The seatback should not be reclined any more than needed for comfort when the vehicle is moving. Seat belts are most effective when the passenger sits well back and straight up in the seat. If the seat is reclined, the risk of sliding under the lap belt and being injured is increased.

Third row passengers should be aware that their shoulder belt is located slightly behind the third row seating position. Never try to use the seat belts for the second row passengers which are in front of the three-passenger bench seat.

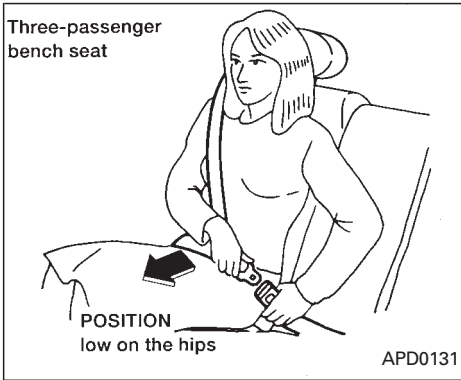
WARNING

- Use of the second row 3-point seat belts by third row passengers could increase injury in a sudden stop or an accident.

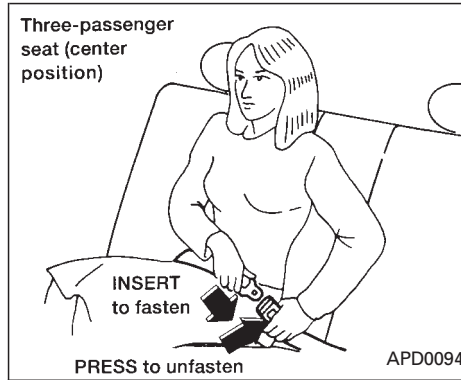
2. Slowly pull the seat belt out of the retractor and insert the tongue into the buckle until it snaps.

The retractor is designed to lock during

a sudden stop or on impact. A slow pulling motion permits the belt to move, and allows you some freedom of movement in the seat.



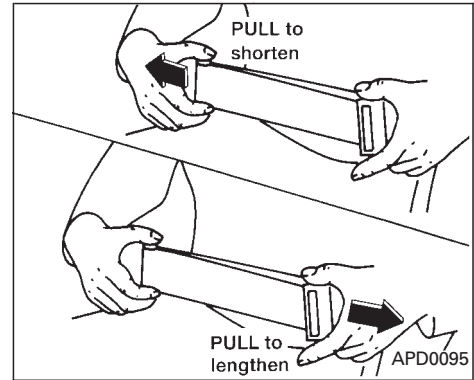
3. Position the lap belt portion **low on the hips as shown**.
4. Pull the shoulder belt portion toward the retractor to take up extra slack.



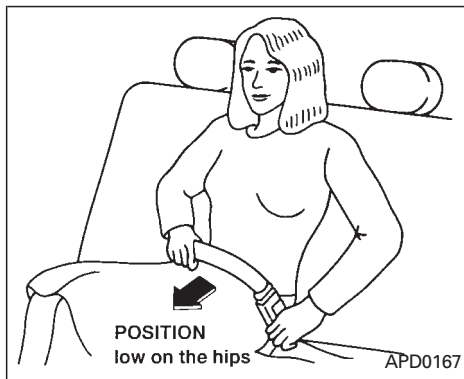
2-POINT TYPE WITHOUT RETRACTOR (Center of three-passenger bench seat)

Fastening the belts

1. Insert the tongue into the buckle until it snaps.



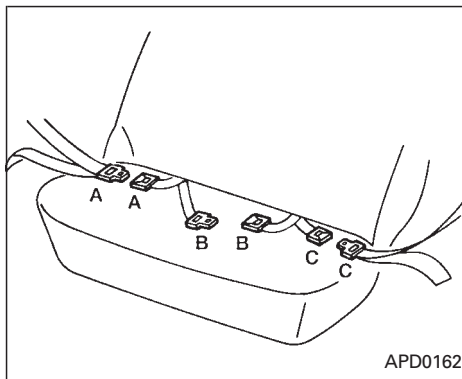
2. To lengthen, hold the tongue at a right angle to the belt and pull on the belt. To shorten, pull the free end of the belt away from the tongue.



3. Position the lap belt **low on the hips** as illustrated.

Unfastening the belts

To unfasten the belt, press the button on the buckle.



Selecting correct set of belts

The seat belt tongues must be fastened into the seat belt buckles as illustrated above.

⚠ WARNING

- Any rear seat belt tongue will connect to any seat belt buckle, therefore it is important to follow the illustration above. Failure to do so could increase the chance and/or severity of injury in an accident.

SEAT BELT EXTENDERS

If, because of body size or driving position, it is not possible to properly fit the front seat lap belts and fasten them, an extender is available which is compatible with the installed seat belts. The extender adds approximately 8 inches (200 mm) of length and may be used for either lap belt for the driver or front passenger seating position. See your NISSAN dealer for assistance if the extender is required.

⚠ WARNING

- Only NISSAN belt extenders, made by the same company which made the original equipment belts, should be used with NISSAN belts.
- Persons who can use the standard seat belt should not use an extender. Such unnecessary use could result in serious personal injury in the event of an accident.

SEAT BELT MAINTENANCE

- To clean the belt webbings, apply a mild soap solution or any solution recommended for cleaning upholstery or car-

pets. Then brush the webbing, wipe it with a cloth and allow it to dry in the shade. Do not allow the belts to retract until they are completely dry.

- **Periodically check to see that the belt and the metal components** such as buckles, tongues, retractors, flexible wires and anchors work properly. If loose parts, deterioration, cuts or other damage on the webbing is found, the entire belt assembly should be replaced.

CHILD RESTRAINTS FOR INFANTS AND SMALL CHILDREN

Infants and small children should **always** be placed in an appropriate child restraint system while riding in the vehicle.

WARNING

- **Children and infants should never be carried on your lap. It is not possible for even the strongest adult to resist the forces of a severe accident. The child could be crushed between the adult and parts of the vehicle. Also, do not put the same seat belt around both your child and yourself.**

- **In general, child restraint systems are designed to be installed with a lap belt or the lap portion of a three-point type seat belt.**
- **Nissan recommends that the child restraint be installed in a rear seat. According to accident statistics, children are safer when properly restrained in a rear seat than in a front seat.**
- **An improperly installed child restraint could lead to serious injury in an accident.**

Child restraints specially designed for infants and small children are offered by several manufacturers. When selecting any child restraint, keep the following points in mind:

- 1) Choose only a restraint with a label certifying that it complies with Federal Motor Vehicle Safety Standard 213 or Canadian Motor Vehicle Safety Standard 213.
- 2) Check the child restraint in your vehicle to be sure it is compatible with the vehicle's seat belt system.

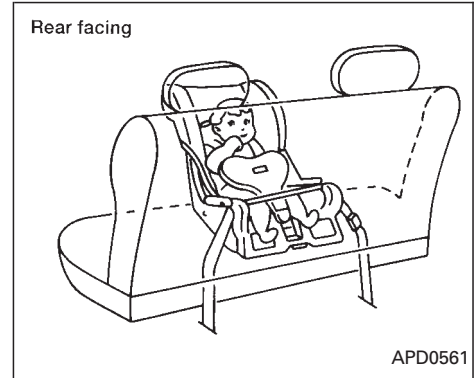
- 3) If the child restraint is compatible with your vehicle, place your child in the child restraint and check the various adjustments to be sure the child restraint is compatible with your child. Always follow all recommended procedures.

WARNING

- **Never install a rear-facing child restraint in the front seat. A rear-facing child restraint must only be used in the rear seat. See “Installation on front passenger seat” for details.**
- **Follow all of the child restraint manufacturer's instructions for installation and use. When purchasing a child restraint, be sure to select one which will fit your child and vehicle. It may not be possible to properly install some types of child restraints in your vehicle.**
- **Improper use of a child restraint can result in increased injuries for both the infant or child and other occupants in the vehicle.**

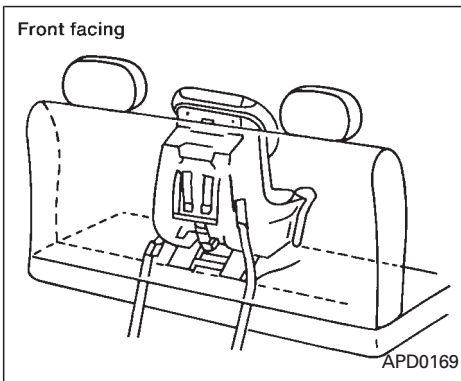
- When your child restraint is not in use, keep it secured with a seat belt to prevent it from being thrown forward in case of a sudden stop or accident.
- Remember that a child restraint left in a closed vehicle can become very hot. Check the seating surface and buckles before placing your child in the child restraint.
- All U.S. states and some provinces or territories of Canada require that infants and small children be restrained in approved child restraints at all times while the vehicle is being operated.
- After attaching the child restraint, test it before you place the child in it. Tilt it from side to side. Try to tug it forward and check to see if the belt holds the restraint in place. If the restraint is not secure, tighten the belt as necessary, or put the restraint in another seat and test it again.

- If the child restraint is not anchored properly, the risk of a child being injured in a collision or a sudden stop greatly increases.
- Adjustable seatbacks should be positioned to fit the child restraint, but as upright as possible.
- For a front facing child restraint, if the seat position where it is installed has a 3-point type lap/shoulder belt, check to make sure the shoulder belt does not go in front of the child's face or neck. If it does, put the shoulder belt behind the child restraint.



INSTALLATION AT THREE-PASSENGER BENCH SEAT CENTER POSITION

Secure the child seat with the lap belt as illustrated. Remove all slack in the lap belt for a very tight fit by pulling the free end of the belt away from the tongue.

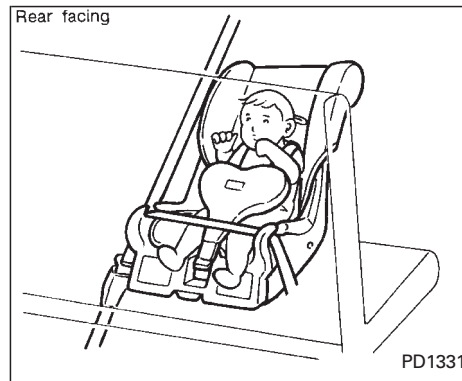


INSTALLATION AT SECOND AND THIRD ROW OUTBOARD POSITIONS

The following instructions apply to second row bucket seats, the second row bench seat and the outboard positions of the three-passenger bench seat.

WARNING

- When installing a child restraint in the two-passenger bench seat, if it is placed in the seating position next to the sliding door, be sure both the auxiliary buckle and main buckle are properly fastened. Failure to do so could increase the chance and/or severity of injury in an accident.



WARNING

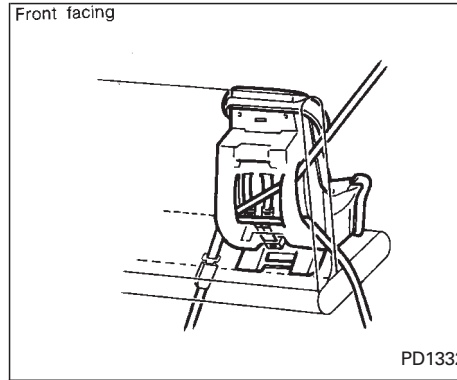
- The 3-point belt in your vehicle is equipped with a locking mode retractor which must be used when installing a child restraint.
- Failure to use the retractor's locking mode will result in the child restraint not being properly secured. The seat could tip over or otherwise be unsecured and cause injury to the child in a sudden stop or collision.

When you install a child restraint in a rear outboard seat, follow these steps:

1. Position the child restraint on the seat. It can be placed in a forward facing or rear facing direction, depending on the size of the child. Always follow the restraint manufacturer's instructions.
2. Route the seat belt tongue through the child restraint and insert it into the buckle until you hear and feel the latch engage.

Be sure to follow the child restraint manufacturer's instructions for belt routing.

3. Pull on the shoulder belt until all of the belt is fully extended and a click is heard. At this time, the belt retractor is in the automatic locking mode (child restraint mode). (It reverts back to "emergency locking" when the belt is fully retracted.)
4. Allow the belt to retract. A clicking sound is heard as the belt retracts. This indicates that the retractor is in the automatic locking mode. Pull up on the shoulder belt to remove any slack in the belt.



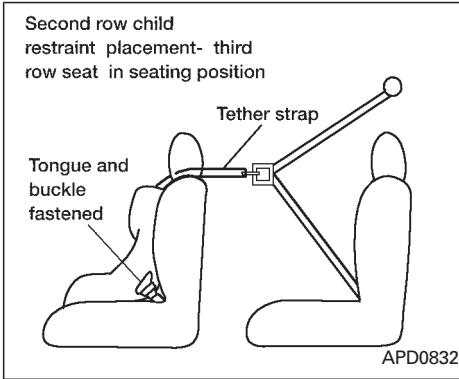
5. Before placing the child in the child restraint, use force to tilt the child restraint from side to side, and tug it forward to make sure it is securely held in place.
6. Check that the retractor is in the automatic locking mode by trying to pull more belt out of the retractor. If you cannot pull any more belt webbing out of the retractor, the belt is in the automatic locking mode.
7. Check to make sure the child restraint is properly secured prior to each use. If the belt is not locked, repeat steps 3 through 6.

After the child restraint is removed and the seat belt is allowed to wind back into the retractor (for the passenger side of the two-passenger bench seat the auxilliary buckle must also be released), the automatic locking mode (child restraint mode) is canceled; the seat belt may be used as normal and will only lock during a sudden stop or impact.

CHILD RESTRAINT WITH TOP TETHER STRAP

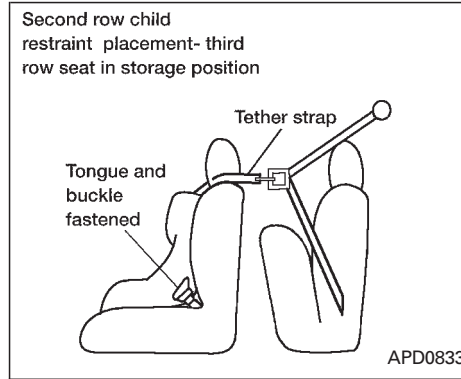
A child restraint anchored with a top tether strap can be installed on the second row bench seat, second row bucket seat, or three-passenger bench seat in the second or third row. The chart below indicates where the tether strap must be attached and the section containing the instructions for tethering.

Seat type	Position	Tether to	Reference
2-passenger bench or bucket seat	2nd row; 3-passenger bench seat in seating or storage position	Tongue of 3rd row lap/shoulder belt directly behind the child seat position	Page 2-62, <i>Tethering to lap/shoulder belt tongue</i>
3-passenger bench seat	2nd row; outboard seating position	Tongue of 3rd row lap/shoulder belt directly behind the child seat position	Page 2-63, <i>Tethering to lap/shoulder belt tongue</i>
3-passenger bench seat	2nd row; center seating position	CANNOT BE TETHERED	—
3-passenger bench seat	3rd row; outboard or center seating position	Floor anchor directly behind the child seat position	Page 2-64, <i>Tethering to floor</i>



INSTALLATION ON SECOND ROW BENCH OR BUCKET SEAT

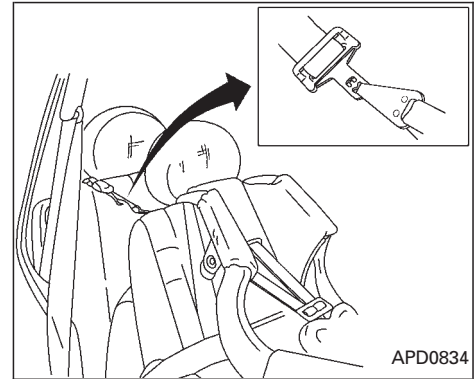
A child restraint with a top tether strap may be placed on the second row bench or bucket seats. Once the child restraint is properly secured to the seat (see "Installation at second and third row outboard positions" earlier in this section), follow the directions below to attach the tether strap to the third row lap/shoulder belt tongue located on the same side of the vehicle as the child restraint.



Tethering to lap/shoulder belt tongue

To attach a tether strap to a third row lap/shoulder belt:

1. Route the tether strap under the head restraint and between the head restraint supports.
2. Hook the tether strap into the large hole on the tongue of the third row lap/shoulder belt (located near the upper and lower rear corners of the vehicle).
3. Adjust the tether strap until the hook is about one foot behind the seatback.

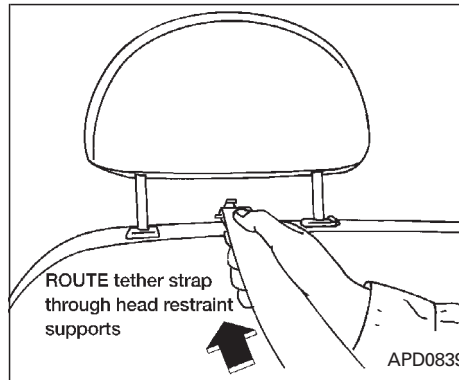


4. Pull on the third row shoulder belt until all of the belt is fully extended and a click is heard. At this time, the belt retractor is in the automatic locking mode (child restraint mode). (The lap/shoulder belt reverts back to emergency locking mode when it is disconnected from the tether strap and fully retracted.)
5. Allow the belt to retract. A clicking sound is heard as the belt retracts. This indicates that the retractor is in the automatic locking mode. Tighten the tether strap and remove any slack.

6. Before placing the child in the child restraint, use force to tilt the child restraint from side to side, and tug it forward to make sure it is securely held in place.
7. Check that the retractor is in the automatic locking mode by trying to pull more belt out of the retractor. If you cannot pull any more belt webbing out of the retractor, the belt is in the automatic locking mode.
8. Check to make sure the child restraint is properly secured prior to each use. If the belt is not locked, repeat steps 4 through 7.

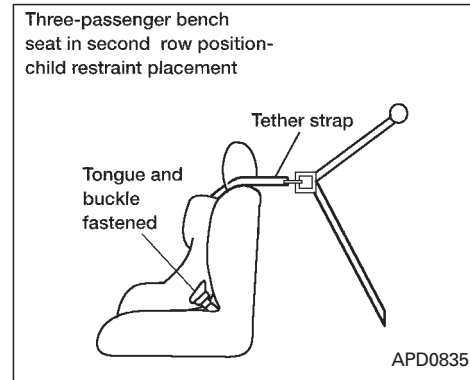
⚠ WARNING

A third seat occupant should never sit at a seating location where the lap/shoulder belt is being used to attach the child seat. Occupants should sit at locations where seat belts can be used. Remember always wear your seat belt.



INSTALLATION ON THREE-PASSENGER BENCH SEAT IN SECOND ROW

A child restraint with a top tether strap may be placed at the outboard positions on the three-passenger bench seat when the bench seat is in the second row location. Once the child restraint is properly secured to the seat (see "Installation at second and third row outboard positions" earlier in this section), follow the directions below to attach the tether strap to the third row lap/shoulder belt tongue located on the same side of the vehicle as the child restraint.

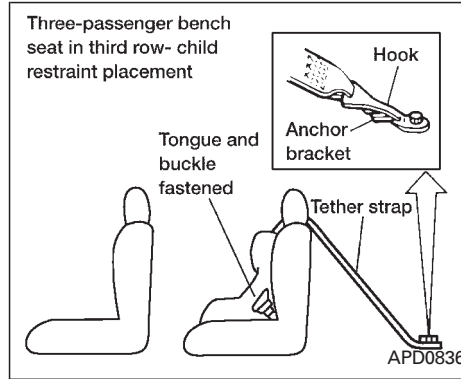


Tethering to lap/shoulder belt tongue

To attach a tether strap to a third row lap/shoulder belt:

1. Route the tether strap under the head restraint and between the head restraint supports.
2. Hook the tether strap into the large hole on the tongue of the third row lap/shoulder belt (located near the upper and lower rear corners of the vehicle).
3. Adjust the tether strap until the hook is about one foot behind the seatback.

4. Pull on the third row shoulder belt until all of the belt is fully extended and a click is heard. At this time, the belt retractor is in the automatic locking mode (child restraint mode). (The lap/shoulder belt reverts back to emergency locking mode when it is disconnected from the tether strap and fully retracted.)
5. Allow the belt to retract. A clicking sound is heard as the belt retracts. This indicates that the retractor is in the automatic locking mode. Tighten the tether strap to remove any slack.
6. Before placing the child in the child restraint, use force to tilt the child restraint from side to side, and tug it forward to make sure it is securely held in place.
7. Check that the retractor is in the automatic locking mode by trying to pull more belt out of the retractor. If you cannot pull any more belt webbing out of the retractor, the belt is in the automatic locking mode.
8. Check to make sure the child restraint is properly secured prior to each use. If the belt is not locking, repeat steps 4 through 7.



INSTALLATION ON THREE-PASSENGER BENCH SEAT IN THIRD ROW

A child restraint with a top tether strap may be placed on the three-passenger bench seat when the bench seat is in the third row location. Once the child restraint is properly secured to the seat (see “Installation at second and third row outboard positions” or “Installation at three-passenger bench seat center position” earlier in this section), follow the directions below to attach the tether strap to one of the anchor points.

Tethering to floor

When installing a child restraint on the three-passenger bench seat in the third row position, first install the floor anchor bracket (found in the tool kit) to the provided anchor point. To gain access to an anchor point, cut along the U-shaped anchor point indicators on the floor carpeting of the luggage area.

Installing the anchor bracket requires removing the bolt already installed at the anchor point and using a metric bolt of the dimensions listed below:

Bolt diameter: 8.0 mm

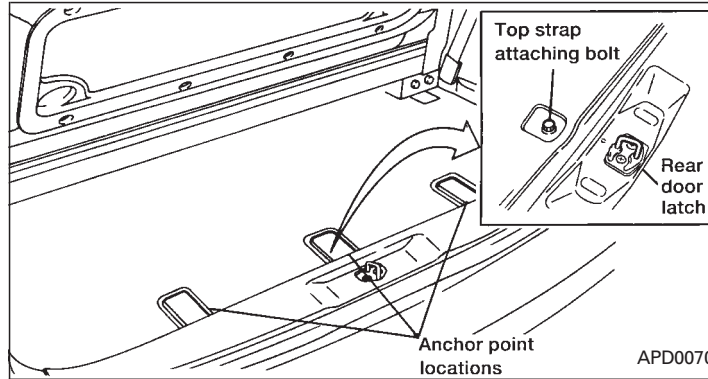
Bolt length: more than 1.18 in (30 mm)

Thread pitch: 1.25 mm

WARNING

- **Bolts should be installed at all times to prevent the possibility of exhaust fumes entering the passenger compartment through the holes.**
- **Child restraint anchor points are designed to withstand only those loads imposed by correctly fitted child restraints. Under no circumstances are they to be used for adult seat belts or harnesses.**

Latch the tether strap hook onto the appropriate anchor bracket. The tether strap should be secured to the floor anchor bracket which provides the straightest installation.

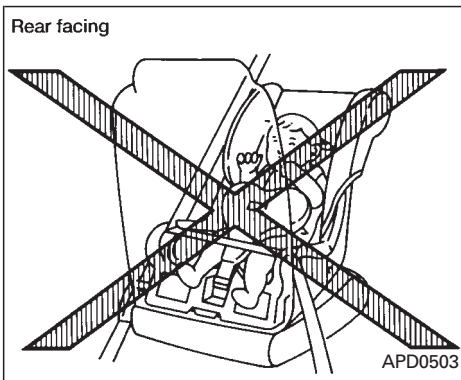


Anchor point location

Anchor point attaching bolts are located under the carpet of the rear luggage area floor.

WARNING

The anchor bolt should be installed at all times to prevent the possibility of exhaust fumes entering the passenger compartment through the holes.



Installation on front passenger seat

WARNING

- **Never install a rear-facing child restraint in the front passenger seat. Air bags inflate with great force. A rear-facing child restraint could be struck by the air bag in a crash and could seriously injure or kill your child.**
- **If you install a forward-facing child restraint in the front passenger seat, place the passenger seat as far back as possible.**

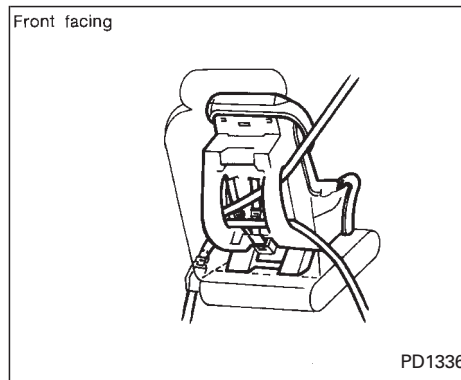
A child restraint with a top strap should not be used in the front passenger seat.

WARNING

- **The 3-point belt in your vehicle is equipped with a locking mode retractor which must be used when installing a child restraint.**
- **Failure to use the retractor's locking mode will result in the child restraint not being properly secured. The seat could tip over or otherwise be unsecured and cause injury to the child in a sudden stop or collision.**

When you install a child restraint in the front seat, follow these steps:

1. Position the child restraint on the front passenger seat. **It should be placed in a forward-facing direction only.** Move the seat as far back from the instrument panel as possible. Always follow the child restraint manufacturer's instructions. **Child restraints for infants must be used in the rear-facing direction and therefore must not be used in the front seat.**
2. Route the seat belt tongue through the child restraint and insert it into the buckle until you hear and feel the latch engage.



Be sure to follow the child restraint manufacturer's instructions for belt routing.

3. Pull on the shoulder belt until all of the belt is fully extended and a click is heard. At this time, the belt retractor is in the automatic locking mode (child restraint mode). It reverts back to emergency locking mode when the belt is fully retracted.
4. Allow the belt to retract. A clicking sound is heard as the belt retracts. This indicates that the retractor is in the automatic locking mode. Pull down on the belt to remove any slack in the belt.

5. Before placing the child in the child restraint, use force to tilt the child restraint from side to side, and tug it forward to make sure it is securely held in place.
6. Check that the retractor is in the automatic locking mode by trying to pull more belt out of the retractor. If you cannot pull any more belt webbing out of the retractor, the belt is in the automatic locking mode.
7. Check to make sure the child restraint is properly secured prior to each use. If the lap belt is not locked, repeat steps 3 through 6.

After the child restraint is removed and the seat belt is allowed to wind back into the retractor, the automatic locking mode (child restraint mode) is canceled; the seat belt may be used as normal and will only lock during a sudden stop or impact.

INTEGRATED CHILD SAFETY SEATS (If so equipped)

WARNING

- **Failure to follow the instructions for the use of these integrated child safety seats can result in your child striking vehicle's interior during a sudden stop or crash, causing the injury or death of your child.**
- **Improper use of a child restraint can increase the risk or severity of injury for both the child and other occupants of the vehicle.**
- **All U.S. states and provinces of Canada require that infants and small children be restrained in approved child restraints at all times while the vehicle is being operated.**

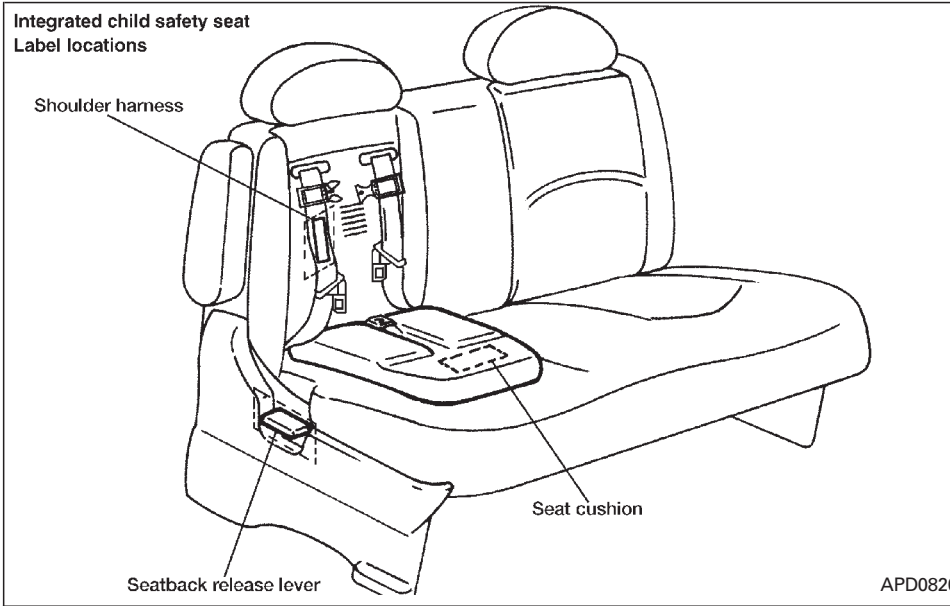
The optional second row bench seat contains two integrated child safety seats. These seats are designed for use only by children who weigh between 22 and 60 pounds (10-27 kg) and whose height is 45 inches (1145 mm) or less and who are capable of sitting upright alone.

In addition, these integrated child safety seats must only be used by children who meet the following requirements:

- **AGE:**
At least one year old
- **SEATED HEIGHT:**
Top of child's shoulders must be below the shoulder harness openings of the integrated child seat.

Children smaller than these requirements should be restrained in an appropriate separate child restraint. Children larger than these requirements should also be restrained in an appropriate separate child restraint or in the appropriate vehicle seat belt system. Refer to "Child Restraints for Infants and Small Children" and "Precautions On Seat Belt Usage" in this chapter for important child safety information.

**Integrated child safety seat
Label locations**



APD0820

Using the Integrated Child Safety Seats.

⚠ WARNING:

- Never use the vehicle seat belts to restrain a child in an integrated child

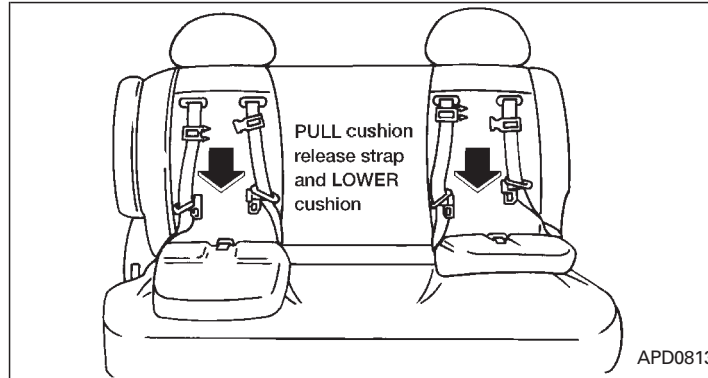
safety seat. Use only the shoulder-harness and belt buckle which is part of the integrated child safety seat. Never use the integrated child safety seat as a booster cushion with the vehicle seat belts.

- Before using the integrated child safety seats, carefully read the shoulder harness, seatback release, and integrated child safety seat cushion labels.
- Before placing the child in the integrated child safety seat, confirm that the bench seatback is securely locked and the seatback release lever is in full down position.
- Remember that the interior of a closed vehicle can become very hot when left in direct sunlight. Check the seating surface and buckles before placing your child in the integrated child safety seat.
- Always make sure the integrated child safety seat belts are properly positioned on your child. The child should sit straight up and back against the bench seat. The shoulder harnesses should be centered over the shoulders and fastened with the chest clip. The belt buckle should be between the legs and latched to the shoulder belt tongue. Snugly adjust the belts around your child. Failure to properly position the child can increase the risk or severity of injury to the child in an accident.

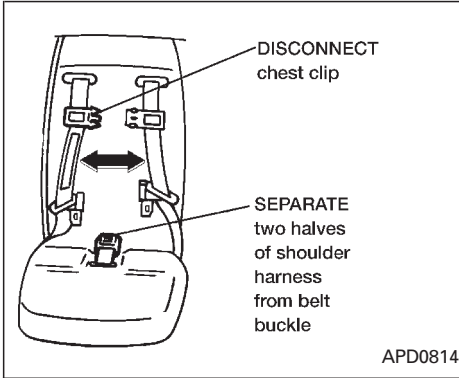
Securing the Child

The following steps apply to both the left and right integrated child safety seats.

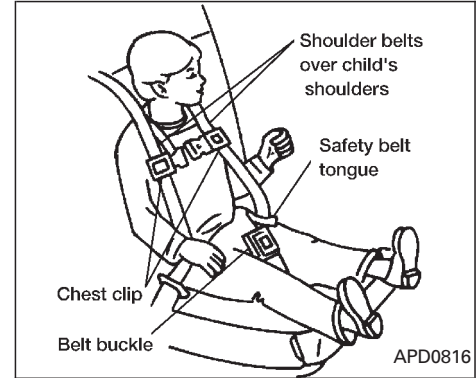
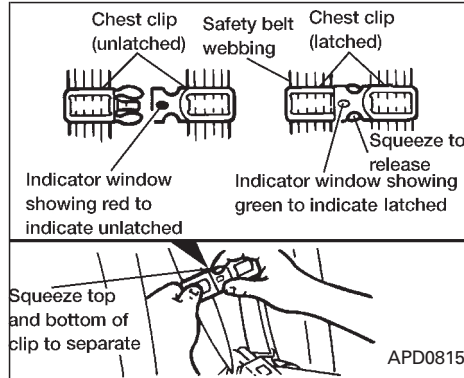
1. Be sure your child meets all of the required age, weight and height requirements for the safe use of the integrated child safety seat.
2. Be sure the second row bench seat is securely latched to the floor of the vehicle. Refer to the "FLEXIBLE SEATING" section in this chapter for proper seat installation procedures.
3. Be sure the second row bench seatback is locked by grasping it and trying to rock it back and forth. Also, check that the seatback release lever is in the full down position.



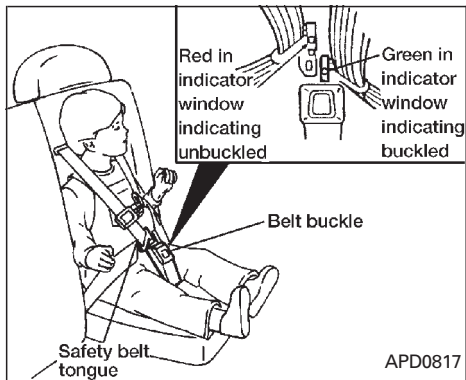
4. Pull the cushion release strap and lower the integrated child safety seat cushion completely.



5. If connected, separate the two halves of the shoulder harness from the belt buckle. Also if connected, disconnect the chest clip and lay the shoulder harness halves aside.

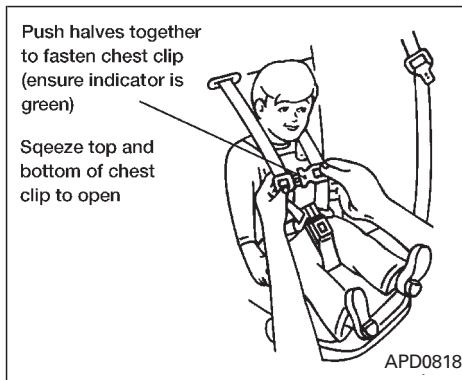


6. Place the child on the integrated child safety seat. Place the belt buckle between the child's legs.



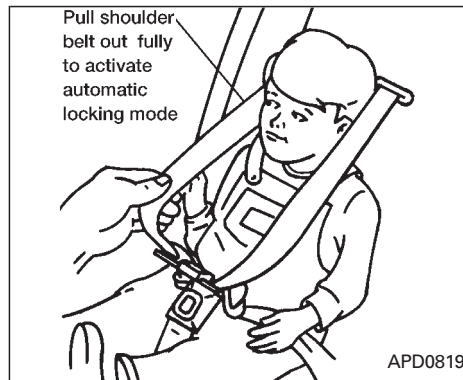
7. Place the left shoulder harness over the child's left shoulder. Insert the left shoulder harness tongue into the left side of the belt buckle. Confirm that the left shoulder harness tongue indicator is green. The shoulder harness tongues only fit into the proper sides of the belt buckle.

8. Place the right shoulder harness over the child's right shoulder. Insert the right shoulder harness tongue into the right side of the belt buckle. Confirm that the right shoulder harness tongue indicator is green. The shoulder harness tongues only fit into the proper sides of the belt buckle.



9. Fasten the two halves of the chest clip and confirm that the chest clip indicator is green. Adjust the chest clip (slightly lower than the child's shoulders) so it comfortably holds the shoulder harness in position on the child's shoulders.

Shoulder harness tongues and chest clips are equipped with visual indicators to confirm proper and secure latching. For the safety of the child and occupants of the vehicle, all indicators must show green before operating the vehicle.



10. Grasp the right shoulder harness above the chest clip and pull until the harness fully extends and a click is heard. At this time, the harness retractor is in the automatic locking mode (child restraint mode). With the child sitting properly (straight up and back) in the integrated child safety seat, allow the right shoulder harness to retract over the right shoulder and securely restrain the child. A clicking should be heard as the harness retracts, indicating that the retractor is in the automatic locking mode. Be sure the left shoulder harness is also

properly positioned over the child's left shoulder.

11. Check that the shoulder harness is in the automatic locking mode by trying to pull the shoulder harness out of the retractor. If you cannot pull any of the shoulder harness webbing out of the retractor, the shoulder harness is in the automatic locking mode. If the shoulder harness is not locked, repeat step 10. If, after repeated attempts, the integrated child safety seat shoulder harness cannot be placed in the automatic locking mode, do not use the integrated child safety seat and have it inspected by your NISSAN dealer.

To cancel the automatic locking mode, unbuckle the chest clip and both shoulder harness tongues. Allow the shoulder harnesses to retract completely. The automatic locking mode is now canceled and the shoulder harness retractor is in the emergency locking mode.

The automatic locking mode (child restraint mode) must be reactivated each time you place a child in the integrated child safety seats.

In addition to the automatic locking retractors, the integrated child safety seat shoulder harnesses are equipped with emergency locking retractors. The automatic locking mode is best to use, especially for children who need help staying properly positioned in the seat and its harnesses (for example, children who are younger and smaller), because the belts are always locked. In the emergency locking mode, the shoulder belts only lock in a sudden stop or accident, allowing a child more freedom of movement. Use the emergency locking mode only if you judge your child able to remain properly positioned in the integrated child safety seat.

Removing the Child

1. Release the chest clip.
2. Release the left and right shoulder harness tongues from the belt buckle by pressing the red belt buckle button.
3. Move the left and right shoulder harnesses aside and assist the child from the integrated child safety seat.

Storing the Integrated Child Safety Seat

1. Be sure the shoulder harnesses are fully retracted and resting inside the integrated child safety seat recess. It is not necessary to reconnect the shoulder harnesses and belt buckle prior to storing the integrated child safety seat.
2. While holding onto, but not pulling, the cushion release strap, rotate the cushion upward until it fits flush with the second row seat back cushion and locks into position.
3. Be sure the integrated child safety seat is locked in the stowed position by grasping the safety seat cushion and attempting to lower it without pulling the cushion release strap. If the integrated child safety seat is not locked in the stowed position, repeat steps 1 through 3.

Integrated Child Safety Seat Maintenance

- To clean the shoulder harnesses and belt buckle webbing, apply a mild soap solution or any solution recommended for cleaning upholstery or carpets. Then

brush the webbing, wipe it with a cloth and allow it to dry in the shade. Do not allow the shoulder harnesses to retract until they are completely dry.

- The integrated child safety seats cloth removable pads may be cleaned with mild soap and water. The cloth removable pads are attached to the seats with fastener strips, and may be easily removed. The pads are machine washable. Follow the instructions attached to the cloth removable pads.

⚠ CAUTION

Failure to follow the washing instructions provided on the cloth removable pads may result in premature wear or damage.

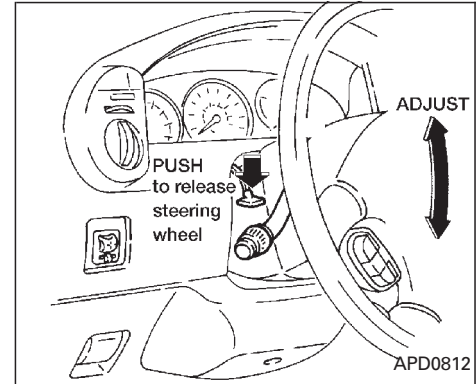
- Periodically inspect the belt and metal components of the integrated child safety seats, such as the buckles, tongues, shoulder harness webbings, and latching indicators. Periodically check the function of the integrated child safety seat shoulder harness retractor functions. If loose parts, deterioration, cuts, frays, malfunctions or other damage to the belt

webbings or metal parts are found, see your NISSAN dealer for repairs.

Inspection After An Accident

If your vehicle was involved in an accident, before using the integrated child safety seats, all related components should be inspected by a NISSAN dealer for damage. Damage to the integrated child safety seats or related components must be repaired.

TILTING STEERING WHEEL



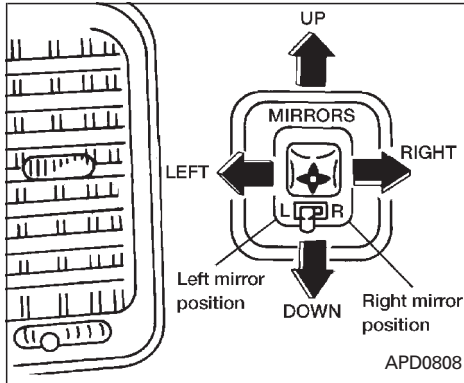
Push the lock lever down and adjust the steering wheel up or down to the desired position. Pull the lock lever up firmly to lock the steering wheel in place.

Gently pull down on the wheel to be sure it is properly locked.

⚠ WARNING

Do not adjust the steering wheel while driving.

OUTSIDE MIRROR CONTROL



Electric control type

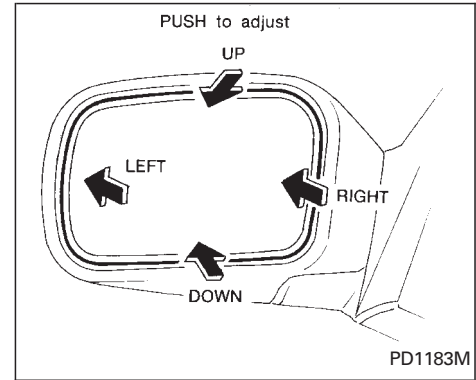
The outside mirrors operate only when the ignition switch is in the ACC or ON position.

Move the switch to select the right or left side mirror, then adjust using the control lever.

Objects viewed in the outside mirror on the passenger side are closer than they appear.

The electric control type outside mirrors can be heated to defrost, defog, or de-ice for improved visibility. Press the rear window

defogger switch to activate the heating function. Press the switch again to deactivate, or it automatically turns off in approximately 15 minutes.

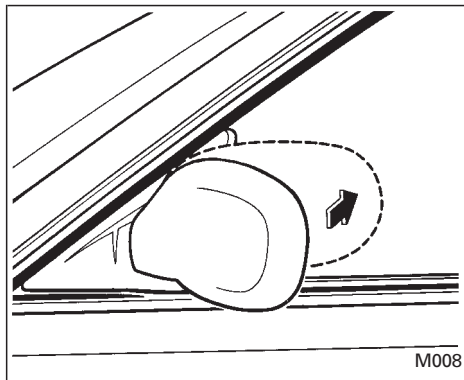


Manual control type

The outside mirror can be moved in any direction for a better rear view.

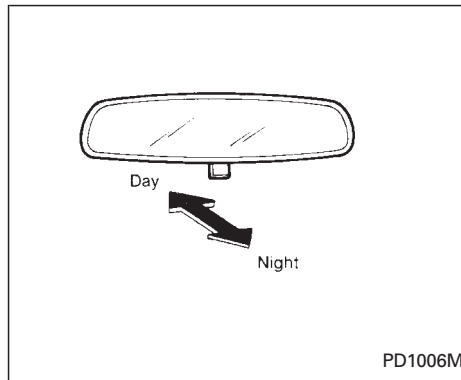
Objects viewed in the outside mirror on the passenger side are closer than they appear.

OUTSIDE MIRRORS



Push the outside mirrors backward to fold them.

INSIDE MIRROR

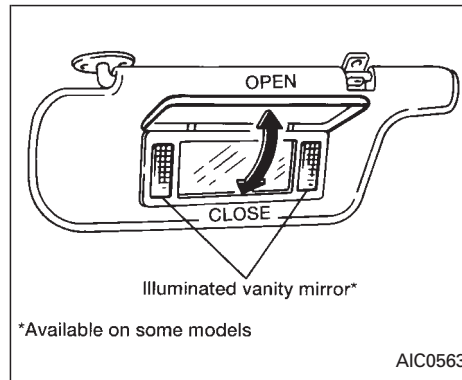


The night position reduces glare from the headlights of vehicles behind you at night.

CAUTION

Use the night position only when necessary, because it reduces rear view clarity.

VANITY MIRROR



*Available on some models

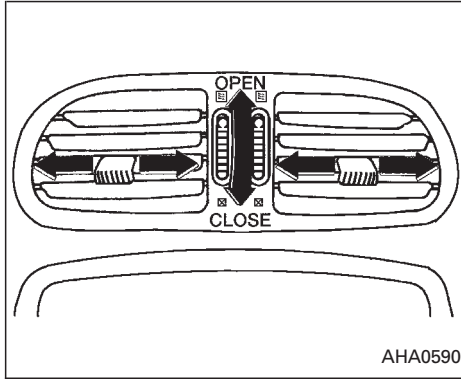
Your vehicle may be equipped with a driver or passenger side vanity mirror. If the vanity mirror on your vehicle has a cover, access the mirror by pulling the sun visor down and lifting the cover up. Some vanity mirrors illuminate when the mirror cover is opened.

3 Heater, air conditioner and audio system

Ventilators.....	3-2
Heater and air conditioner (manual)	3-3
Heater and air conditioner (automatic) (If so equipped)	3-11
Rear seat heater and air conditioner	3-14
Radio	3-15
Antenna	3-21
CB radio or car phone.....	3-26



VENTILATORS

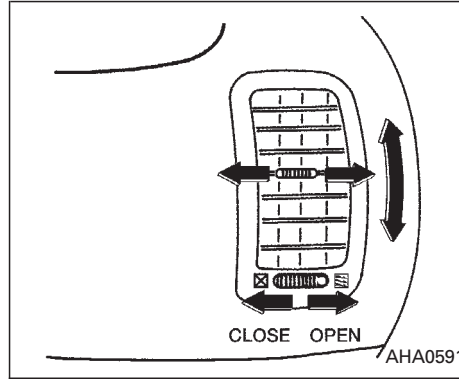


Center ventilators

Open, close and adjust the air flow direction of ventilators.

☒ : This symbol indicates that the vents are closed when the vent switch is rotated downward.

≡ : This symbol indicates that the vents are open when the vent switch is rotated upward.



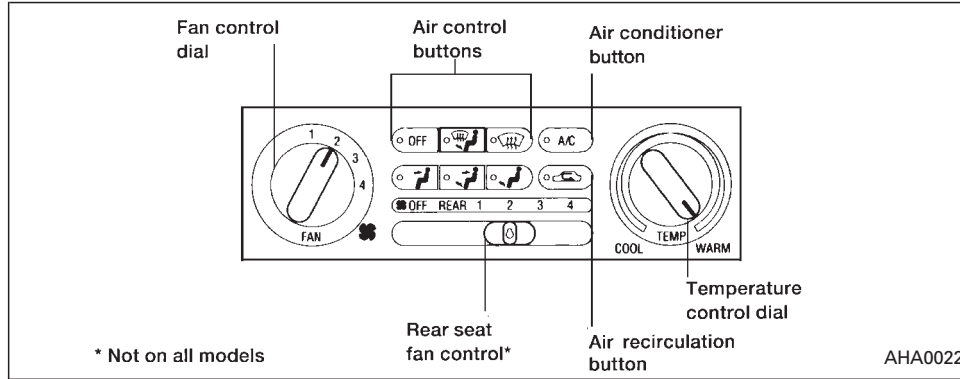
Side ventilators

Open, close and adjust the air flow direction of ventilators.

☒ : This symbol indicates that the vents are closed when the vent switch is moved to the left.

≡ : This symbol indicates that the vents are open when the vent switch is moved to the right.

HEATER AND AIR CONDITIONER (MANUAL)



CONTROLS

Fan control dial

This dial controls fan speed.

Temperature control dial

This dial allows you to adjust the temperature of the outlet air.

Air control buttons

These buttons allow you to select the air flow outlets or turn the system off.

OFF button

The OFF button shuts off the air supply to all outlets and stops all fan operations. Use the OFF button to prevent cold air from entering the passenger compartment under cold outside conditions before the engine is warmed up.

Air recirculation button

Fresh position (indicator light off):

Outside air is drawn into the passenger compartment.

Use this position for normal heater or air



conditioner operation.

Recirculate position (Indicator light on):

Interior air is recirculated inside the vehicle.

Activate the air recirculation button when driving on a dusty road or to help keep out traffic fumes.

Activate the air recirculation button for improved air conditioning performance under high temperature and high humidity conditions.

If the system is operating in the  or  mode, the system does not allow the air recirculate mode to be selected.

CAUTION

Do not use the recirculation mode for long periods as it may cause the interior air to become stale and the windows to fog up.

Air conditioner button

Start the engine, move the fan control dial to the desired (1 to 4) position, select an air control button and push the air conditioner button to turn on the air conditioner. The

indicator light comes on when the air conditioner is on. To stop the air conditioner, push the button again; the indicator light goes off.

The air conditioner cooling function operates only when the engine is running.

WARNING


Positioning of the heating or air conditioning controls should not be done while driving, in order that full attention may be given to the driving operation.

HEATER OPERATION

Heating


This mode is used to direct most of the hot air to the floor outlets.

The air recirculation button light should **not** be on for normal heating.

1. Push the  button in.
2. Turn the fan control dial to select speed.
3. Move the temperature control dial to the desired position.

Ventilation


This mode directs air to the side and center vents.


1. Push the  button in.
2. Turn the fan control dial to select speed.
3. Move the temperature control dial to the desired position.


NOTE: The recirculate position can be used.


Defrosting or defogging

This mode is used to defrost/defog the windows.

1. Push the  button in.
2. Turn the fan control dial to select speed.
3. Move the temperature control dial to the desired position.

When the  button is pushed, the air conditioner automatically turns on to defog the windshield. The recirculated air mode automatically turns off to reduce window fogging.

When  is selected, the air conditioner indicator light does not illuminate

unless illuminated in the previously selected mode. However, the air conditioner operates to dehumidify if the outside temperature is more than 40°F (4°C), whether or not the A/C button has been pressed. Manual selection and illumination of the A/C button does not override the automatic dehumidifying which occurs when  is selected.

Operating Tips

Clear snow and ice from the wiper blades and air inlet in front of the windshield. This improves defrosting/defogging operation.

Bi-level heating/cooling

The bi-level mode directs air to the side and center vents and to the floor outlets.


Bi-level is also a cooling mode when high sun load conditions are present with cool temperatures.

With the A/C system in operation, this mode can be used to cool the passenger's or driver's feet under high temperature conditions.

With the A/C system in operation under high


temperature conditions, improved cooling can be obtained by pushing the recirculation button to the on position.


Push the air recirculation button to the off position when heating is required.

1. Push the  button in.
2. Turn the fan control dial to the desired position.
3. Move the temperature control dial to the desired position.

Heating and demisting

This mode heats the interior and demists the windshield.

1. Push the  button in.
2. Turn the fan control dial to the desired position.
3. Move the temperature control dial to the desired position.

When the  button is pushed, the air recirculate mode automatically turns off. Outside air is drawn into the passenger compartment to improve the defogging performance.

Operating tips

- **Clear snow and ice from the wiper blades and air inlet in front of the windshield. This improves heater operation.**
- To defog the side windows more effectively when in bi-level or ventilation mode, close the center vent and direct the side vents toward the side windows.
- A slight delay may be experienced when changing air control buttons. This is not a problem, it is only the system motors and solenoids switching from one outlet to another.

AIR CONDITIONER OPERATION

Start the engine, move the fan control dial to the desired (1 to 4) position, and select an air control button before pushing in the air conditioner button to activate the air conditioner. When the air conditioner is on, cooling and dehumidifying functions are added to the system operation.


The air conditioner cooling function operates only when the engine is running.

NOTE: When switching air flow outlets, the A/C system remains activated unless the

A/C button is pressed again to turn it off. The indicator light on the A/C button remains illuminated unless the A/C button is pressed to turn it off, or the OFF air control button is pressed.

Cooling


This mode is used to cool and dehumidify.

1. Push the  button in.
 2. Turn the fan control dial to select speed.
 3. Push the air conditioner button. The indicator light comes on.
 4. Move the temperature control dial to the desired position.
- For quick cooling when the outside temperature is high, move the air recirculation button to the on position. Be sure to return the air recirculation button to the off position for normal cooling.
 - Opening the windows helps to vent heat buildup when parked in the sun.

Dehumidified heating


This mode is used to heat and dehumidify.


1. Push the air recirculation button to the off position.

2. Push the  button in.
3. Turn the fan control dial to select speed.
4. Push on the air conditioner button. The indicator light comes on.
5. Move the temperature control dial to the desired position.

Dehumidified defogging

This mode is used to defog the windows and dehumidify.

1. Push the  button in.
2. Turn the fan control dial to the desired speed.
3. Move the temperature control dial to the desired position.

When the  button is pushed, the air conditioner automatically turns on to defog the windshield, (however, the light does not illuminate unless illuminated in the previously selected mode) and the recirculated air mode automatically turns off.

Operating tips

- Keep windows and sun roof closed while the air conditioner is in operation.

- After parking in the sun, drive for two or three minutes with the windows open to vent hot air from the passenger compartment. Then, close the windows. This allows the air conditioner to cool the interior more quickly.
- **The air conditioning system should be operated for about ten minutes at least once a month. This helps prevent damage to the system due to lack of lubrication.**
- If the coolant temperature gauge exceeds the H (hot) position, turn the air conditioner off. See “If your vehicle overheats” in the “In case of emergency” section for additional information.

Servicing air conditioning

The air conditioning system in your NISSAN vehicle is charged with a new refrigerant designed with the environment in mind.

This new refrigerant does not harm the earth's ozone layer.

Special charging equipment and lubricant are required when servicing your NISSAN air conditioner. Using improper refrigerants or lubricants causes severe damage to your

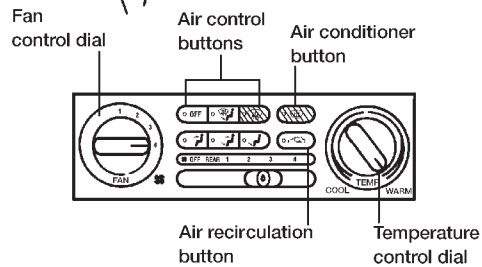
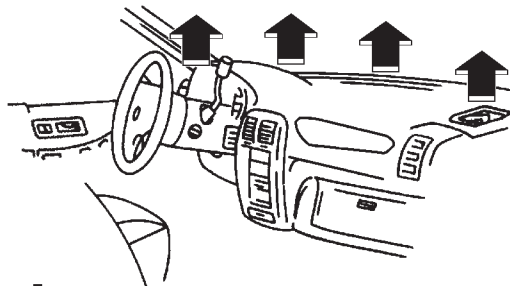
air conditioning system. See “Air conditioning system refrigerant and lubricant recommendations” in the “Technical and consumer information” section of this manual.

Your NISSAN dealer is able to service your environmentally “friendly” air conditioning system.

AIR FLOW CHARTS

The following charts show the button and dial positions for **MAXIMUM AND QUICK** heating, cooling or defrosting. **The air recirculation switch should always be in the off position for heating and defrosting.**

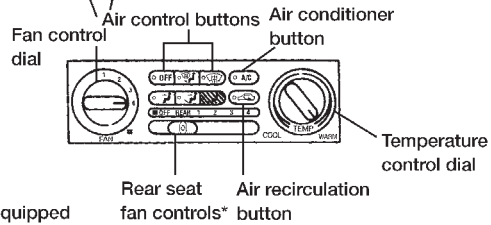
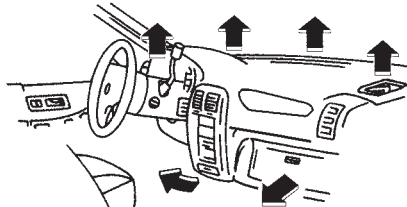
Defrosting and Defogging



A/C	AIR RECIRC	AIR CONTROL	TEMP CONTROL	FAN CONTROL
ON	OFF	DEFROST	WARM	4

Heating

(no air at center vents)

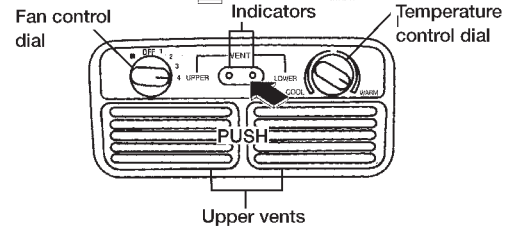
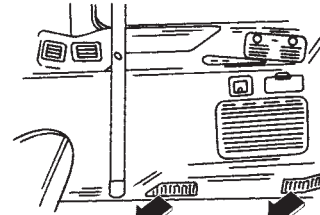


*If so equipped

A/C	AIR RECIRC	AIR CONTROL	TEMP CONTROL	FAN CONTROL	REAR SEAT FAN CONTROL*
OFF	OFF	FOOT	WARM	4	REAR

Rear Seat Controls

(If so equipped)

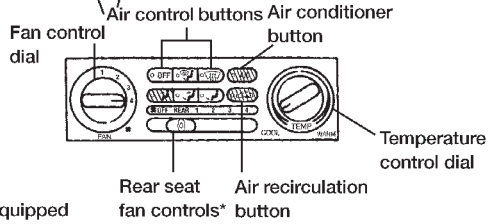
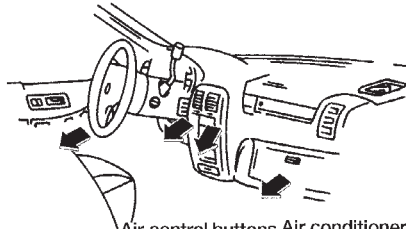


AIR CONTROL	TEMP CONTROL	FAN CONTROL
LOWER	WARM	4

AHA0599

Cooling

(no air at lower vents)

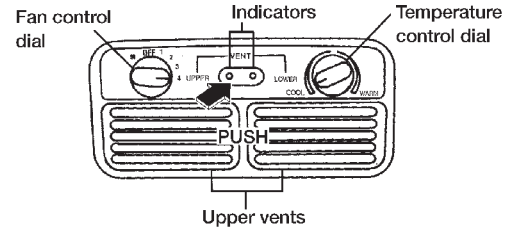
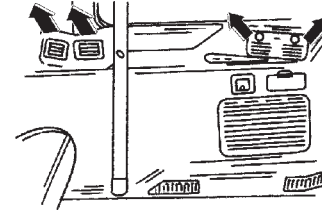


*If so equipped

A/C	AIR RECIRC	AIR CONTROL	TEMP CONTROL	FAN CONTROL	REAR SEAT FAN CONTROL*
ON	ON	FACE	COOL	4	REAR

Rear Seat Controls

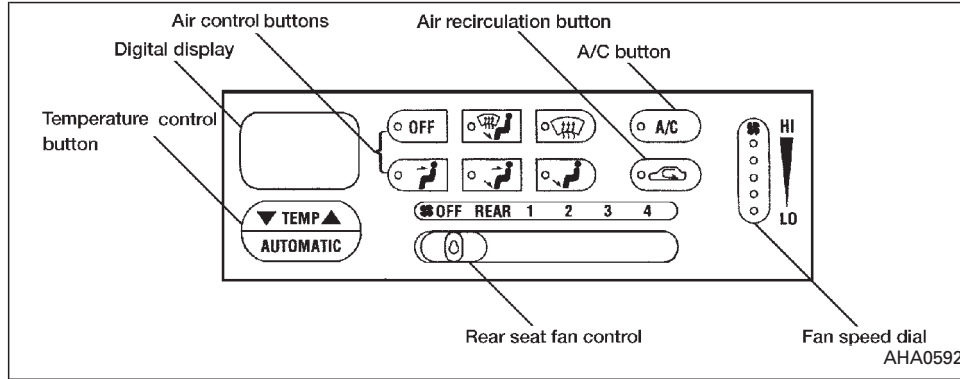
(if so equipped)



AIR CONTROL	TEMP CONTROL	FAN CONTROL
UPPER	COOL	4





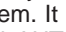
AHA0800

HEATER AND AIR CONDITIONER (AUTOMATIC) (If so equipped)




The Electronic Automatic Temperature Control (EATC) is located at the center of the instrument panel, above the radio. The EATC operates only when the ignition is turned to the ON position.


The EATC maintains the temperature you select and controls the airflow for your comfort. It also allows you to override the automatic operation with manual function selector buttons.

To turn the EATC on, push either the AUTOMATIC button or any of the five function selector buttons: , , , , or . To turn the EATC off,

press the OFF button.

When you select AUTOMATIC the system determines fan speed, airflow location and discharge air temperature. When one of the function selector buttons is pressed, your selection determines airflow location only. Fan speed and discharge air temperature remain automatic. You can override fan speed by rotating the vertical thumbwheel  located at the extreme right of the control panel.

The display window indicates the status of the system. It shows the selected temperature and AUTO when in the AUTOMATIC

mode. It also indicates manual (thumbwheel) control of the fan speed when a  is shown.

AUTOMATIC OPERATION

Push the AUTOMATIC button and select the desired temperature. The selected temperature and AUTO show in the display window. The EATC heats or cools to achieve the set temperature.

When in AUTOMATIC and weather conditions require heat, air is sent to the floor. However, a feature is included in the EATC to prevent blowing cold air to the floor if the engine coolant is not warm enough to allow heating. In three or four minutes the fan speed gradually increases and airflow changes to the floor.


If unique conditions exist, such as window fogging, the five override buttons allow specific airflow selection. The thumbwheel allows you to adjust the fan speed to suit your needs.

Temperature selection

The  TEMP  button on the left side of the control panel is for temperature selection. The  side lowers the set

temperature, and the ▲ side raises the set temperature. Press and hold either side of the button to rapidly change the temperature setting in one degree increments to either 65°F (18°C) or 85°F (29°C). If you want continuous maximum cooling, push the ▼ side of the TEMP button until 60°F (16°C) shows in the display window. The EATC cools at maximum and disregards the 60°F (16°C) setting until a warmer temperature is selected. If you want continuous maximum heating, push the ▲ side of the TEMP button until 90°F (32°C) shows in the display window. The EATC provides maximum heat regardless of the 90°F (32°C) setting until a cooler temperature is selected.

Fan speed and thumbwheel


Your EATC automatically adjusts the fan speed to the existing conditions. To control the fan speed yourself, use the thumbwheel located at the extreme right side of the EATC control panel. Using the thumbwheel cancels the automatic fan speed control, and causes a  to appear in the display window. Rotate the thumbwheel up for HI speeds and down for LO speeds.

To return to auto fan control, press the AUTOMATIC button.


AIR CONTROL BUTTONS

Your EATC has five buttons which allow you to make special selections. The buttons are grouped in the middle of the EATC panel and allow you to determine airflow location. Pressing any of the air control buttons changes airflow location only, and does not affect the ability of the system to control temperature or fan speed. Return to fully automatic operation by pushing the AUTOMATIC button.




Push this button for airflow to the floor and windshield at the same time. The  indicator light comes on, and the display window shows the set temperature.




Press this button to obtain maximum airflow to the windshield. Adjust the temperature setting as required for defrosting. The  indicator light comes on and the display window shows the set temperature. When the outside temperature is about 50°F (10°C) or above the air is dehumidified to prevent window fogging.





Push this button to select airflow through the instrument panel registers. The  indicator light comes on and the display window shows the set temperature. The EATC heats the air if the selected temperature is warmer than the outside air coming into the vehicle. However, the air is not cooled regardless of the temperature setting.



Push this button to get air from the floor and instrument panel registers at the same time. The  indicator light comes on and the display window shows the set temperature. Depending on the selected temperature, the air is automatically heated or cooled.




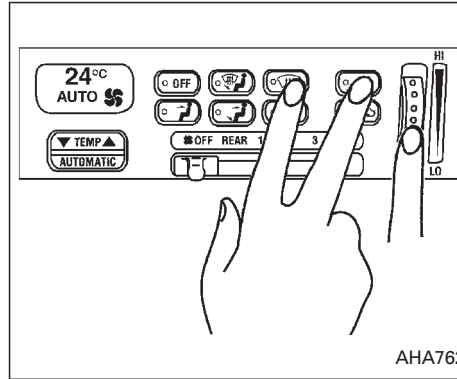
Push this button to direct airflow to the floor. The  indicator light comes on and the display window shows the set temperature. The air cannot be cooled in the  mode, only heated.

AIR CONDITIONING AND AIR RECIRCULATION


Activate the air conditioning in any of the override modes listed above by pressing the

A/C button. The A/C indicator light comes on to verify activation, and cooled air flows from the vents. Fan speed continues to be controlled by the EATC unless the fan speed thumbwheel is used to override.

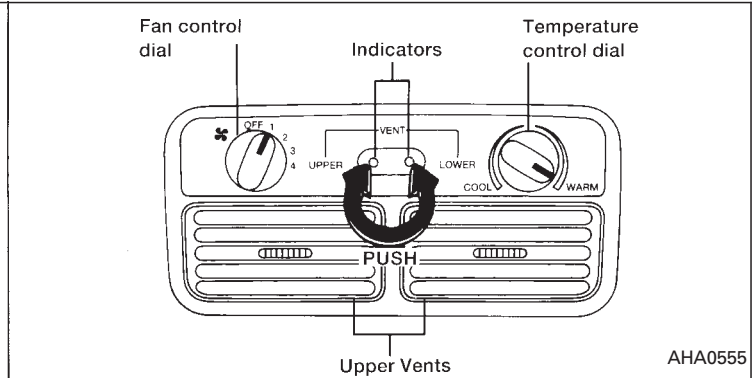
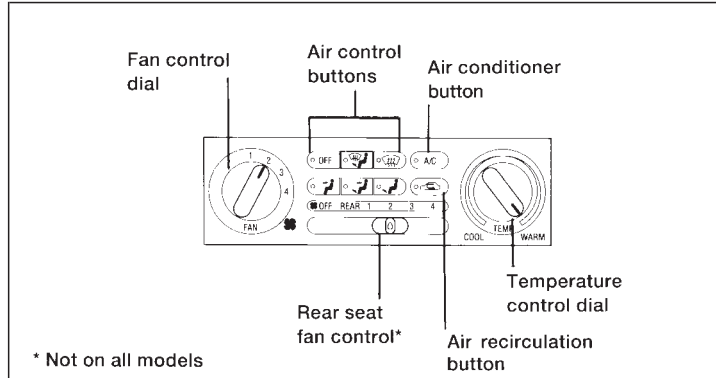
Press the  button to choose air recirculation. In this mode the EATC system recirculates the air inside the vehicle rather than drawing air from outside. Use this mode together with the air conditioning to rapidly cool the inside of the vehicle, or to dehumidify the air inside the vehicle.



ENGLISH METRIC MODE

Switch from English to metric temperature display by simultaneously pressing the  and A/C buttons and holding the thumbwheel in upper position (HI) for one second.

REAR SEAT HEATER AND AIR CONDITIONER (If so equipped)



To operate the rear seat heater and air conditioner, the engine must be running.

The rear seat heater and air conditioner can be turned on and off from the front controls. If the rear seat fan control lever on the front panel is set to OFF, the rear heater and air conditioner is turned off. If it is set to any of the fan speed positions, air is discharged from the rear vents at the corresponding speed. When the rear seat fan control lever on the front panel is set to REAR, the rear seat passengers control their own fan speed.

The rear seat air conditioner only works when the front seat air conditioner is operating.

CONTROLS

Fan control dial

This dial turns the fan on and off, and controls fan speed.

Temperature control dial

This dial allows you to adjust the temperature of the outlet air. A slight delay in temperature change may be experienced while the climate control system warms up.

- On vehicles equipped with Electronic Automatic Temperature Control (EATC), outlet air temperature is automatically con-

trolled when the rear seat fan control lever on the front panel is set to 1, 2, 3, or 4.

Vent switch

The vent switch allows you to select air flow from the upper or lower vents.

- A slight delay may be experienced when changing the vent selection. This is not a problem; the delay is only the system motors and solenoids switching from one outlet to another.

RADIO

To turn the radio on, turn the ignition key to ACC or ON. If you listen to the radio with the engine not running, turn the key to the ACC position.

Radio reception is affected by station signal strength, distance from radio transmitter, buildings, bridges, mountains and other external influences. Intermittent changes in reception quality normally are caused by these external influences.

Clock

For information on setting the clock, refer to the section "Instruments and controls".

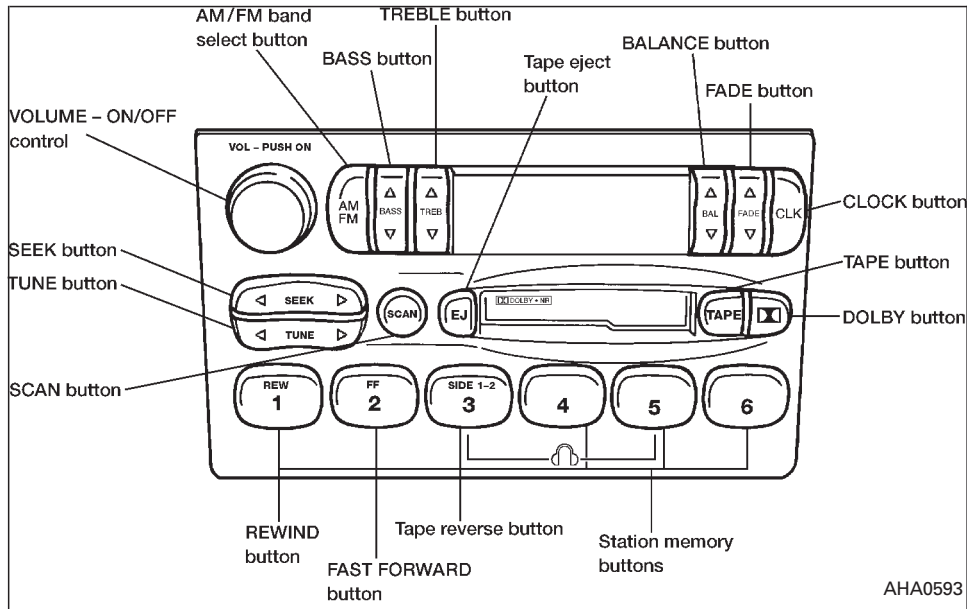
AM-FM RADIO WITH CASSETTE PLAYER

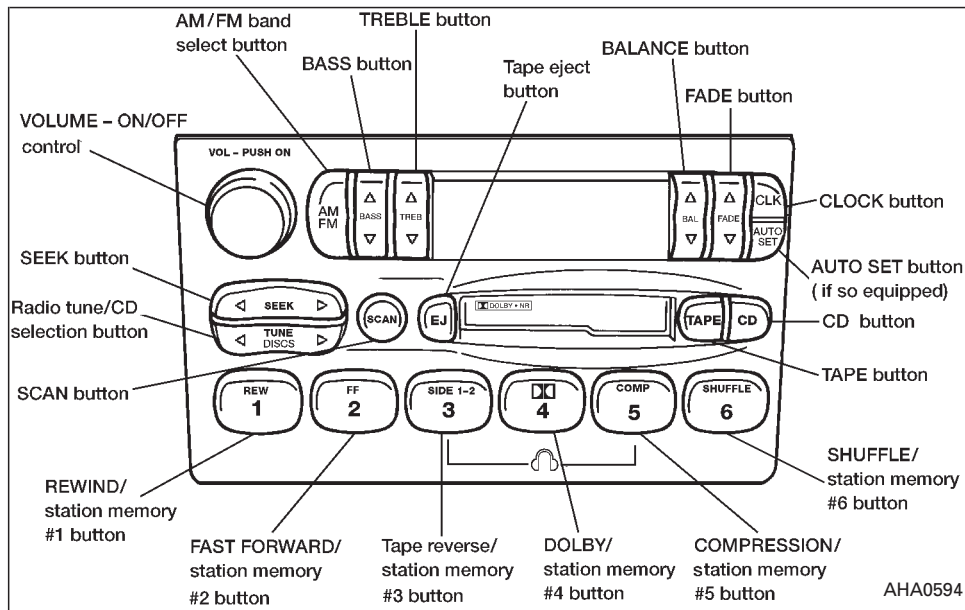
Radio operation

Push the VOL-PUSH ON knob to turn the radio on. Push the VOL-PUSH ON knob once more to turn the radio off.

Turn the knob to adjust the volume.

Inserting a cassette tape into the cassette player while the radio is on turns the radio off and turns the cassette player on.





TUNING

AUTO SET (If so equipped)

Press AUTO SET while listening to the radio to activate the Auto Memory Store feature.

When AUTO SET is depressed for less than three seconds, the display window momentarily indicates AUTO, and the radio seeks the first six strong stations for the respective band. The first six strong stations are then stored in order in memory buttons 1 through 6.

Only stations in the selected band are set, and the station seek begins from the last frequency stored in memory button 6. If AM, FM, SCAN, TUNE, SEEK, AUTO SET, or a memory button is pushed while the Auto Memory Store is operating, AUTO SET is canceled and AUTO OFF shows in the display window.

SEEK tuning

This feature on your radio allows you to automatically select strong frequency stations up or down the frequency band. Press **SEEK** ► to select the next strong station up the frequency band. Press **SEEK** ◀ to select the next strong station down

the frequency band. To change frequencies quickly, press and hold either side of the SEEK button.

SCAN tuning

Push SCAN to enter the scan tuning mode. The radio searches up the frequency band, stopping and playing each strong frequency station for five seconds. This continues until the SCAN button is pushed a second time or a different tuning function is selected. The AM or FM1 or FM2 symbol in the display window flashes while each station is being played.

AM/FM

Press the AM/FM button to select the desired band: AM, FM1, or FM2. The stereo indicator shows in the display window during FM stereo reception. When the stereo broadcast signal is weak, the radio automatically changes from stereo to monaural reception.

Station memory operations

Your radio comes equipped with six memory buttons, which are used to preset up to six AM stations and 12 FM stations.

NOTE: If the vehicle's battery is disconnected, the memory buttons need to be reset.

To set the memory buttons:

1. Select the desired band (AM, FM1, or FM2) by pressing the AM/FM button.
2. Tune to the desired frequency.
3. Press one of the memory buttons and hold the button in. The sound mutes out for about two seconds, then returns. That station is now held in memory on that button.

Repeat the three steps above for each memory button you want to set.

The memory buttons also control the rear audio controls. Push memory buttons 3 and 5 simultaneously to turn the rear audio controls on. Push them again to turn the rear audio controls off. A headphone symbol appears in the display window when the rear controls are activated.

ADJUSTING TONE QUALITY

BASS

Bass control allows you to adjust the lower, bass frequencies to your preference.

Push the BASS button either ▲ or ▼ ; BASS and the setting indicator bar appear in the display window. Pressing the BASS button either ▲ or ▼ increases or decreases the level of bass, as indicated by the number of bar segments showing in the display window.

Following bass adjustment, the display window shows the current setting for three seconds, then returns to the display prior to adjustment.

TREB

Treble control allows you to adjust the higher, treble frequencies to your preference.

Push the TREB button either ▲ or ▼ ; TREB and the setting indicator bar appear in the display window. Pressing the TREB button either ▲ or ▼ increases or decreases the level of treble, as indicated by the number of bar segments showing in the display window.

Following treble adjustment, the display window shows the current setting for three seconds, then returns to the display prior to adjustment.

BAL

Balance control allows you to adjust the sound distribution between the right and left speakers.

Push the BAL button either ▲ or ▼ ; BAL and the setting indicator bar appear in the display window. Press the BAL button ▲ to shift the sound to the right speakers. The single indicator bar moves to the right of the display window. Press the BAL button ▼ to shift the sound to the left speakers. The single indicator bar moves to the left of the display window. When the indicator bar is in the center position the sound is equally distributed between the right and left speakers.

Following balance adjustment, the display window shows the current setting for three seconds, then returns to the display prior to adjustment.

FADE

Fader control allows you to adjust sound distribution between the front and rear speakers.

Push the FADE button either ▲ or ▼ ; FADE and the setting indicator bar

appear in the display window. Press the FADE button ▲ to shift the sound to the front speakers. The single indicator bar moves to the right of the display window. Press the FADE button ▼ to shift the sound to the rear speakers. The single indicator bar moves to the left of the display window. When the indicator bar is in the center position the sound is equally distributed between the front and rear speakers.

Following fader adjustment, the display window shows the current setting for three seconds, then returns to the display prior to adjustment.

CASSETTE TAPE OPERATIONS

Turn the ignition key to ACC or ON, then insert the cassette tape into the tape door by lightly pushing it. Because of the power loading feature, the cassette tape is automatically pulled into the player and begins to play.

Do not force the cassette tape into the tape door. Forcing a tape in or pushing too hard could damage the player.

When a cassette is inserted into the audio system, the word TAPE and a cassette side

symbol (either 1 or 2) illuminate in the display window.

A cassette tape can be loaded with the ignition ON whether or not the radio power is on. Inserting a cassette tape with the radio power off causes the audio system to turn on. After the cassette is ejected, the audio system turns off. Also, the power antenna (if so equipped) stays in the down position during cassette tape operation.

The cassette tape automatically changes directions to play the other side when the first side is completed.

- **To maintain good quality sound, NISSAN recommends using cassette tapes of 60 minutes or shorter in length.**
- **Cassette tapes should be removed from the player when not in use. Store cassettes in their protective cases and away from direct sunlight, heat, moisture, and magnetic sources.**
- **Direct sunlight can cause the cassette to become deformed. The use of deformed cassettes may cause the cassette to jam in the player.**

- **Do not use cassettes with peeling or loose labels, as the label could jam in the player.**
- **If a cassette has loose tape, insert a pencil through one of the cassette hubs and rewind the tape firmly around the hubs. Loose tape may cause tape jamming and wavering sound quality.**
- **Over a period of time, the playback head, capstan, and pinch roller may cause a tape coating residue as the tape passes over the head. This residue accumulation can cause weak or wavering sound, and should be removed periodically with a head cleaning tape.**

If the residue is not removed periodically, the player may need to be disassembled for cleaning.

Using a Nissan Cassette Deck Cleaning System or equivalent to clean the tape player head after 10-12 hours of play helps to maintain the best playback sound and proper tape operation.

REW and FF

Push the REW (rewind) or FF (fast forward) button for the desired direction. When using REW, push the FF button momentarily to stop the tape and resume playing. Similarly, when using FF, push the REW button momentarily to stop the tape and resume playing.

Automatic Music Search (AMS)

Pushing the SEEK button while playing a cassette tape activates the Automatic Music Search (AMS) mode. Press ◀ SEEK to rewind the tape to the previous selection, or press SEEK ▶ to forward the tape to the next selection.

This system searches for the blank intervals between selections. If there is a blank interval within one program or there is no interval between programs, the system may not stop in the desired or expected location.



Changing the direction of tape play

Press the SIDE 1-2 button to reverse the tape to the opposite track. The display window indicates the track being played with a 1 or 2.

Stopping and ejecting the cassette tape

Push the EJ button. The cassette tape automatically ejects from the player and the radio turns off. A tape may be ejected with the ignition switch in the ON or OFF position.

Dolby NR (noise reduction)

Push the  button for Dolby NR encoded tapes to reduce high frequency tape noise. When activated, a  appears in the display window.

Dolby NR is manufactured under license from Dolby Laboratories Licensing Corporation. "Dolby NR" and the double-D symbol are trademarks of Dolby Laboratories Licensing Corporation.

ANTENNA

Manual antenna

The manual antenna on your vehicle remains in the up position at all times. The antenna cannot be shortened, but can be removed. When you need to remove the antenna, turn its base counterclockwise.

Power antenna (If so equipped)

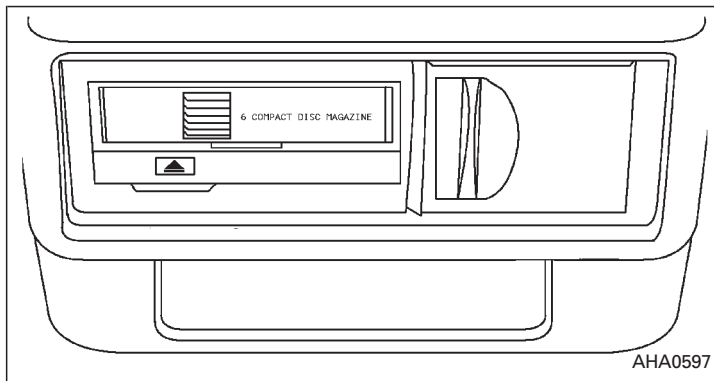
The power antenna automatically extends when the radio is turned on, and retracts when turned off or when a tape or CD is played. If the radio is left on, the antenna retracts and extends with the ignition key OFF-ON operation.

CAUTION

Before turning the radio on, make sure that there is no one near the antenna outlet and there is enough space for it to extend.

To prevent damage, be sure that the power antenna is fully retracted before the vehicle enters an automated car wash.

Dirt and other foreign matter on the power antenna rod may interrupt its operation. Clean the rod periodically with a damp cloth. This type of cleaning is especially important during the winter seasons in areas where road salt and other chemicals may be spread on the road surfaces and splashed onto the antenna rod.



COMPACT DISC PLAYER (If so equipped)

NOTE: Audio control features include command buttons for CD players which can be installed as optional equipment to upgrade the audio system. A CD player is not included with this system, but can be purchased as an option at any time. Consult with your NISSAN dealer for feature availability.

The compact disc player consists of two main components, the 6 CD magazine and the CD changer. Both components are lo-

cated on the center instrument panel console, below the ashtray.

How to load the CD magazine

To load the magazine with CD's, first push the ▲ button on the CD changer to eject the magazine, then remove the magazine from the changer. The inside of the CD magazine contains six shelves, one for each CD to be loaded. Carefully slide a CD (label side up) onto one of the shelves and push it in. Repeat as desired, loading up to six CD's.

CD magazine insert

Once the desired number of CD's are loaded into the magazine, insert the magazine back into the CD changer.

With the ignition switch OFF, the CD magazine loads into the CD changer. Once the ignition switch is turned to ACC or ON, the audio system returns to its previous mode.

With the ignition switch in the ACC or ON position, the CD magazine loads into the CD changer and begins play with disc 1, track 1.

CD player controls

BASS, TREB, BAL, AND FADE

The bass, treble, balance, and fader controls for the CD player are the same as those for the radio and cassette tape player. Refer to the ADJUSTING TONE QUALITY section for operating instructions on these controls.

CD

Push this button to switch from radio or tape mode to CD mode. CD play begins automatically if at least one disc is loaded in the magazine. The display window shows the

CD number for three seconds, then the track number for three seconds, then displays both together for the remainder of the track.

Push this button when a CD is already playing to stop the CD.

If the CD button is pushed while in the radio or tape mode, and there are no CD's loaded in the magazine, the display window flashes a NO DISC message for 4 seconds.

SEEK

Push ◀ SEEK to select the previous track number, or push SEEK ▶ to select the next track number. After the last track on a disc, pushing SEEK ▶ selects the first track of the same disc.

TUNE DISCS

Push ◀ TUNE DISCS to select the previous CD in the magazine. Push TUNE DISCS ▶ to select the next CD in the magazine.

SCAN

Push this button to audition the first 10 seconds of each track on a disc. At the end of the disc, the SCAN function continues

with the first track on the same disc. The display window flashes the track number being auditioned during the SCAN function.

REW

Press this button to reverse the CD mechanism and move back to a previous point on the disc. If held for less than three seconds, this button causes the CD to reverse at three times the normal play speed. If held for more than three seconds, the CD reverses at 10 times the normal play speed.

The mechanism reverses to the beginning of track 1 and begins play if the button is held continuously. The volume decreases and the display window shows the elapsed time during the entire fast reverse period.

FF

Press this button to advance the CD mechanism and move ahead on the disc. If held for less than three seconds, this button causes the CD to advance at three times the normal play speed. If held for more than three seconds, the CD advances at 10 times the normal play speed.

The volume decreases and the display window shows the elapsed time during the

entire fast forward period.

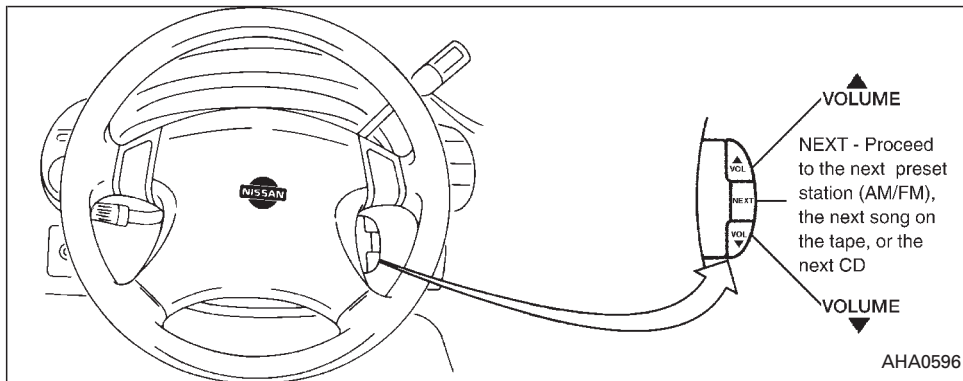
COMP

Press this button to activate the compression function. This function reduces the dynamic range of the CD program material, which provides the listener with a more consistent level of volume. The display window shows a C when the compression function is activated.

SHUFFLE

Press this button to randomly select the play order of the tracks on a CD. When all tracks of one CD have been played, the system changes to the next CD in the magazine and proceeds to play the tracks in a randomly selected order. The shuffle feature remains in effect until turned off by pressing the SHUFFLE button again.

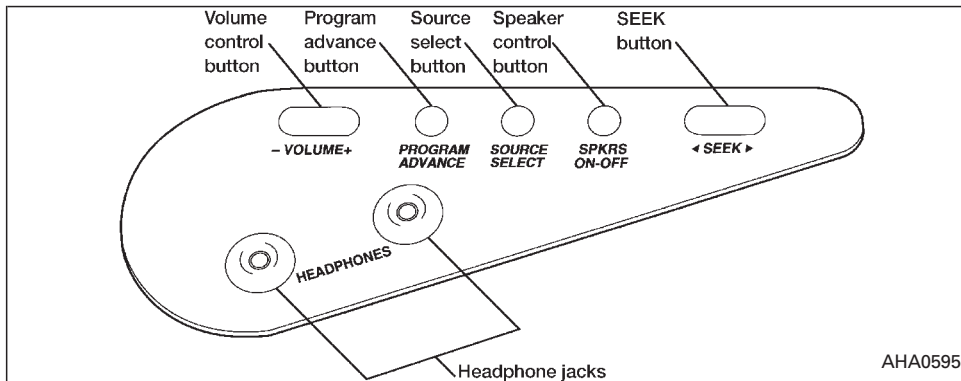
When the shuffle function is activated, the display window shows the letters SHF for two seconds, then shows the disc number and track selected for the remainder of that selection. When a new track is selected, the letters SHF again appear for two seconds, followed by the new disc and track number, and so on as long as the shuffle function is active.



STEERING WHEEL CONTROLS

The radio controls mounted on the right side of the steering wheel provide convenient access to three commonly used functions:

▲ VOL, ▼ VOL, and NEXT. Use the NEXT button to select the next pre-programmed station (AM/FM), the other side of the tape, or the next CD.



Rear audio controls

Radio features controlled by the rear seat remote control (if so equipped) are listed below:

- Volume: -/+
- Program advance: proceed to the next preset station (AM/FM), the other side of the tape, or the next CD.
- Source select: AM/FM, tape, or CD
- Speakers ON/OFF
- Seek: ◀ ▶

Push the Memory 3 and Memory 5 buttons on the front radio controls simultaneously to turn the rear controls on. Push them again to turn the rear audio controls off.

The headphones symbol illuminates in the front display when the rear audio controls are on. Two headphone jacks are provided so two rear seat passengers may listen to the audio system privately.

The rear controls can only increase the volume to the level which the front radio is set.

Headphones are not included with the ve-

hicle. Most portable radio headphones work with the rear audio controls.

When the rear seat controls are on, push the SPKRS ON-OFF button to turn all speakers off. Push again to turn all speakers on.

If the rear audio system was on when the ignition was turned OFF, the audio system “remembers” and the rear system is still on when the engine is started again. The system also “remembers” if the speakers were ON or OFF. Therefore, the speakers may have to be turned on again with the SPKRS ON-OFF button.

CB RADIO OR CAR PHONE

When installing a CB ham radio, a car phone or other transmitters in your NISSAN, be sure to observe the following cautions, otherwise the new equipment may adversely affect the MFI system and other electronic parts.



CAUTION

- **Keep the antenna as far away as possible from the Engine Control Module.**
- **Also keep the antenna wire more than 8 inches (20 cm) away from the Multiport Electronic Fuel Injection (MFI) harness. Do not route the antenna wire next to any harness.**
- **Adjust the antenna standing-wave ratio as recommended by the manufacturer.**
- **Connect the ground wire from the CB radio chassis to the body.**
- **For details, consult a NISSAN dealer.**

4 Starting and driving

Precautions when starting and driving.....	4-2	Cruise control	4-9
Avoiding collision and rollover.....	4-3	Break-in schedule.....	4-11
Drinking alcohol/drugs and driving.....	4-3	Increasing fuel economy	4-11
Ignition switch.....	4-4	Parking/parking on hills.....	4-12
Before starting the engine.....	4-4	Precautions when driving.....	4-13
Driving with an automatic transmission	4-5	Anti-lock brake system.....	4-13
Starting the engine	4-8	Cold weather driving cautions.....	4-15
Parking brake operation.....	4-8		



PRECAUTIONS WHEN STARTING AND DRIVING

WARNING

Do not leave children, unreliable adults, or pets alone in your vehicle. They could accidentally injure themselves or others through inadvertent operation of the vehicle. Also, on hot, sunny days, temperatures in a closed vehicle could quickly become high enough to cause severe or possibly fatal injuries to people or animals.

EXHAUST GAS (Carbon Monoxide)

WARNING

Do not breathe exhaust gases; they contain colorless and odorless carbon monoxide. Carbon monoxide is dangerous. It can cause unconsciousness or death.

- If you suspect that exhaust fumes are entering the vehicle, drive with all windows fully open, and have the vehicle inspected immediately.
- Do not run the engine in closed spaces such as a garage for any longer than is absolutely necessary.

- Do not park the vehicle with the engine running for any extended length of time.
- Keep the rear door and flip-up rear window closed while driving, otherwise exhaust gases could be drawn into the passenger compartment. If you must drive in this manner for some reason, take the following steps.

1. Open all the windows.

2. Set the air recirculate switch to “OFF” and the fan control dial at 4 (high) to circulate the air.

- If electrical wiring or other cable connections must pass to a trailer through a seal on the body, follow the manufacturer’s recommendation to prevent carbon monoxide entry into the vehicle.
- The exhaust system and body should be inspected by a qualified mechanic whenever:
 - a. The vehicle is raised for service.

- b. You suspect that exhaust fumes are entering into the passenger compartment.
- c. You notice a change in the sound of the exhaust system.
- d. You have had an accident involving damage to the exhaust system, underbody, or rear of the vehicle.

THREE WAY CATALYST

The three way catalyst is an emission control device installed in the exhaust system. Exhaust gases in the three way catalyst are burned at high temperatures to help reduce pollutants.

WARNING

- The exhaust gas and the exhaust system are very hot. While the engine is running, keep people or flammable materials away from the exhaust pipe.
- Do not stop or park the vehicle over flammable materials such as dry grass, waste paper or rags, as they may burn easily.

AVOIDING COLLISION AND ROLLOVER

To help prevent damage

- **Do not use leaded gasoline. Deposits from leaded gasoline will seriously reduce the three way catalyst's ability to help reduce exhaust pollutants.**
- **Keep your engine tuned up. Malfunctions in the ignition, fuel injection, or electrical systems can cause overrich fuel flow into the catalyst, causing it to overheat. Do not keep driving if the engine misfires, or if noticeable loss of performance or other unusual operating conditions are detected. Have the vehicle inspected promptly by an authorized NISSAN dealer.**
- **Avoid driving with an extremely low fuel level. Running out of fuel could cause the engine to misfire, damaging the three way catalyst.**
- **Do not race the engine while warming it up.**
- **Do not push or tow your vehicle to start the engine.**

Failure to operate this vehicle in a safe and prudent manner may result in loss of control or an accident. Be alert and drive defensively at all times. Obey all traffic regulations. Avoid excessive speed, high speed cornering, or sudden steering maneuvers, because these driving practices could cause you to lose control of your vehicle. **As with any vehicle, a loss of control could result in a collision with other vehicles or objects, or cause the vehicle to rollover, particularly if the loss of control causes the vehicle to slide sideways.** Be attentive at all times, and avoid driving when tired. Never drive when under the influence of alcohol or drugs (including prescription or over-the-counter drugs which may cause drowsiness). Always wear your seat belt as outlined in the "Seat Belts" section of this manual, and also instruct your passengers to do so.

DRINKING ALCOHOL/DRUGS AND DRIVING

WARNING

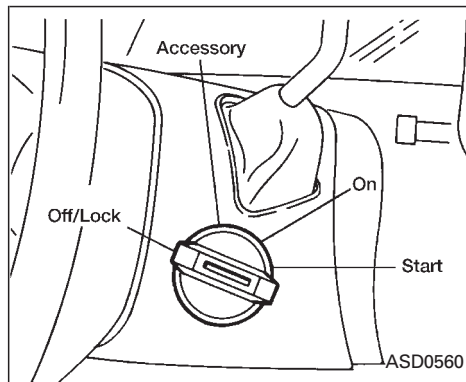
Alcohol in the blood stream reduces coordination, delays reaction time and impairs judgement. Driving after drinking alcohol increases the likelihood of being involved in an accident injuring yourself and others. Additionally, if you are injured in an accident alcohol can increase the severity of the injury.

Nissan is committed to safe driving. However, you must choose not to drive under the influence of alcohol. Every year thousands of people are injured or killed in alcohol related accidents. Although the local laws vary on what is considered to be legally intoxicated, the fact is that alcohol affects all people differently and most people underestimate the effects of alcohol.

Remember, drinking and driving don't mix!

And that's true for drugs, too (over the counter, prescription, and illegal drugs). Don't drive if your ability to operate your vehicle is impaired by alcohol, drugs, or some other physical condition.

IGNITION SWITCH



The switch includes an anti-theft steering lock device.

LOCK (Normal parking position)

The ignition key can be removed at this position only.

The ignition lock is designed so the key cannot be turned to LOCK and removed until the shift lever is moved to the P position.

The shift lever is designed so it cannot be moved out of P and into any of the other gear positions if the ignition key is turned to

LOCK, or if the key is removed from the switch.

The shift lever can be moved out of P (Park) after the ignition switch is in the ON position, and the foot brake pedal is depressed.

WARNING

- **To lock the steering wheel, remove the key. To unlock the steering wheel, insert the key and turn it gently while rotating the steering wheel slightly right and left.**
- **Never remove the key while driving. If the key is removed, the steering wheel will lock. This may cause the driver to lose control of the vehicle and could result in serious vehicle damage or personal injury.**

OFF

The engine can be turned off without locking the steering wheel, if the key is left in the ignition.

ACC (Accessories)

This position activates electrical accessories such as the radio when the engine is not running.

ON (Normal operating position)

This position turns on the ignition system and the electrical accessories.

START

This position activates the starter motor, which starts engine.

BEFORE STARTING THE ENGINE

- Make sure the area around the vehicle is clear.
- Maintenance items listed here should be checked periodically, for example, each time you check engine oil.
- Check that all windows and lights are clean.
- Visually inspect tires for their appearance and condition. Also check tires for proper inflation.
- Lock all doors.
- Position seat and adjust head restraints.
- Adjust inside and outside mirrors.
- Fasten seat belts and ask all passengers to do likewise.
- Check the operation of warning lights when key is turned to the ON position.

DRIVING WITH AN AUTOMATIC TRANSMISSION

The automatic transmission in your vehicle is electronically controlled by a microcomputer to produce maximum power and smooth operation.

Shown on the following pages are the recommended operating procedures for this transmission. Follow these procedures for maximum vehicle performance and driving enjoyment.

Starting the vehicle

- After starting the engine, fully depress the foot brake pedal before shifting the selector lever to the R, N, D, 2 or 1 position. Be sure the vehicle is fully stopped before attempting to shift the selector lever.

This automatic transmission is designed so the foot brake pedal MUST be depressed before shifting from P to any drive position while the ignition switch is ON.

The shift lever cannot be moved out of P and into any of the other gear positions if the ignition key is turned to ACC, LOCK, or if the key is removed from the switch.

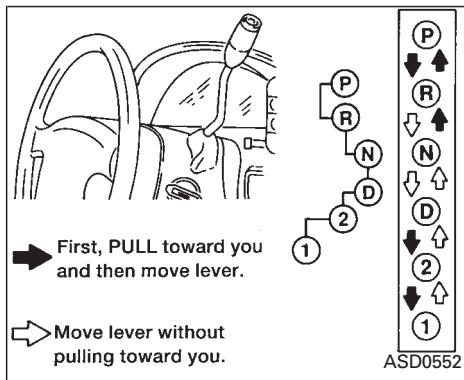
When the battery charge is low, the shift lever can be moved if the ignition switch is in the ACC position.

1. Keep the foot brake pedal depressed and shift into a driving gear.
 2. Release the parking brake and foot brake, then gradually start the vehicle in motion.
- **Cold engine idle speed is high, so use caution when shifting into a forward or reverse gear before the engine has warmed up.**
 - **Avoid revving up the engine while the vehicle is stopped. This could cause unexpected vehicle movement.**

Driving precautions

To help prevent transmission damage:

- **Do not depress the accelerator pedal while shifting from P or N to: R, D, 2 or 1. Always depress the brake pedal until shifting is completed.**
- **Never shift to P or R while the vehicle is moving.**
- **When stopping the vehicle on an up-hill grade, do not hold the vehicle by depressing the accelerator pedal. The foot brakes should be used for this purpose.**



P (Park):

Use this selector position when the vehicle is parked or when starting the engine. Always be sure the vehicle is at a complete stop. For maximum safety, depress the brake pedal, pull the lever toward you, and move the lever to the P position. Apply the parking brake. When parking on a hill, apply the parking brake first, then shift the lever into the P position.

Shifting from P (Park)

If the ignition switch is in the ON position and the foot brake pedal is depressed, but

the shift lever still cannot be moved out of P (Park), follow these instructions:

1. Shut the engine off and remove the key.
2. Apply the parking brake.
3. Reinsert the ignition key and turn it clockwise to the first position (ACC).
4. Depress the brake pedal, move the gear-shift lever to N (Neutral) and start the engine.

R (Reverse):

Use this position to back up. Always be sure the vehicle is completely stopped. Depress the brake pedal then pull the shift lever toward you and move it to the R position.

N (Neutral):

Neither forward nor reverse gear is engaged. The engine can be started in this position. You may shift to N and restart a stalled engine while the vehicle is moving.

D (Drive):

Use this position for all normal forward driving.

2 (Second gear):

Use for hill climbing or engine braking on downhill grades.

Do not downshift into 2 at speeds over 63 MPH (100 km/h). Do not exceed 63 MPH (100 km/h) in 2.

1 (Low gear):

Use 1 when climbing steep hills slowly or driving slowly through deep snow, sand or mud, or for maximum engine braking on steep downhill grades.

Do not exceed 38 MPH (60 km/h) in 1.

Do not shift into 1 at speeds over 38 MPH (60 km/h).

Accelerator downshift

— In D position —

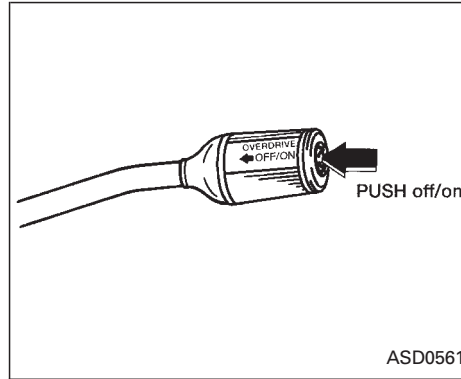
For rapid passing or hill climbing, fully depress the accelerator pedal to the floor. This shifts the transmission down into third gear, second gear or first gear, depending on the vehicle speed.

Fail-safe

When the Fail-safe operation occurs, the next time the key is turned to the ON

position, the O/D OFF light blinks for approximately 8 seconds after coming on for 2 seconds. While the vehicle can be driven under these circumstances please note that the gears in the automatic transmission will be locked in 3rd gear.

NOTE: If the vehicle is driven under extreme conditions, such as excessive wheel spinning and subsequent hard braking, the Fail-safe system may be activated. This will occur even if all electrical circuits are functioning properly. In this case, turn the ignition key OFF and wait for 3 seconds. Then turn the key back to the ON position. The vehicle should return to its normal operating condition. If it does not return to its normal operating condition have your NISSAN dealer check the transmission and repair if necessary.



Overdrive switch

Each time your vehicle is started, the transmission is automatically “reset” to overdrive ON.

ON: For normal driving the Overdrive switch is engaged. The transmission is upshifted into Overdrive as the vehicle speed increases.

The overdrive does not engage until the engine has warmed up.

OFF: For driving up and down long slopes where engine “braking” would be advantageous, push the

overdrive switch. The O/D OFF light illuminates. When cruising at a low speed or climbing a gentle slope, you may feel uncomfortable shift shocks as the transmission shifts between 3rd and overdrive repeatedly. In this case, press the overdrive switch. The O/D OFF indicator light comes on at this time.

When driving conditions change, press the overdrive switch again. The O/D OFF indicator light goes out.

Remember not to drive at high speeds for extended periods of time with the O/D OFF light illuminated. This reduces the fuel economy.

STARTING THE ENGINE

1. Apply the parking brake.
2. Move the selector lever to P (Park) or N (Neutral). (P preferred.)

The shift lever cannot be moved out of P and into any of the other gear positions under the following conditions:

- The ignition key is turned to the OFF position.
- The ignition key is turned to the ON position without depressing the foot brake pedal.

The starter is designed not to operate if the selector lever is in one of the driving positions.

3. Crank the engine **with your foot off the accelerator pedal** by turning the ignition key to START. Release the key when the engine starts. If the engine starts, but fails to run, repeat the above procedure.

— If the engine is very hard to start in extremely cold or hot weather, depress the accelerator pedal and hold it to help start the engine.

— In the summer, when restarting the engine within 30 minutes after it has been stopped, keep the accelerator pedal slightly depressed while starting.

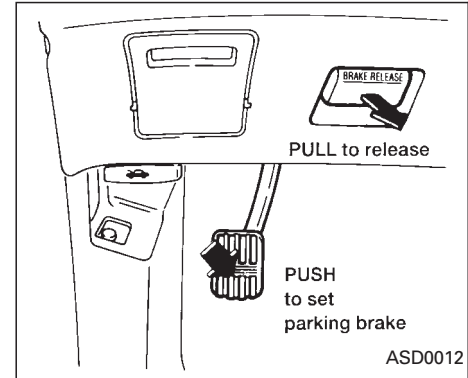
CAUTION

Do not operate the starter for more than 15 seconds at a time. If the engine does not start, wait 10 seconds before cranking again, otherwise the starter could be damaged.

4. Warm-up

Allow the engine to idle for at least 30 seconds after starting. Drive at moderate speeds for a short distance first, especially in cold weather.

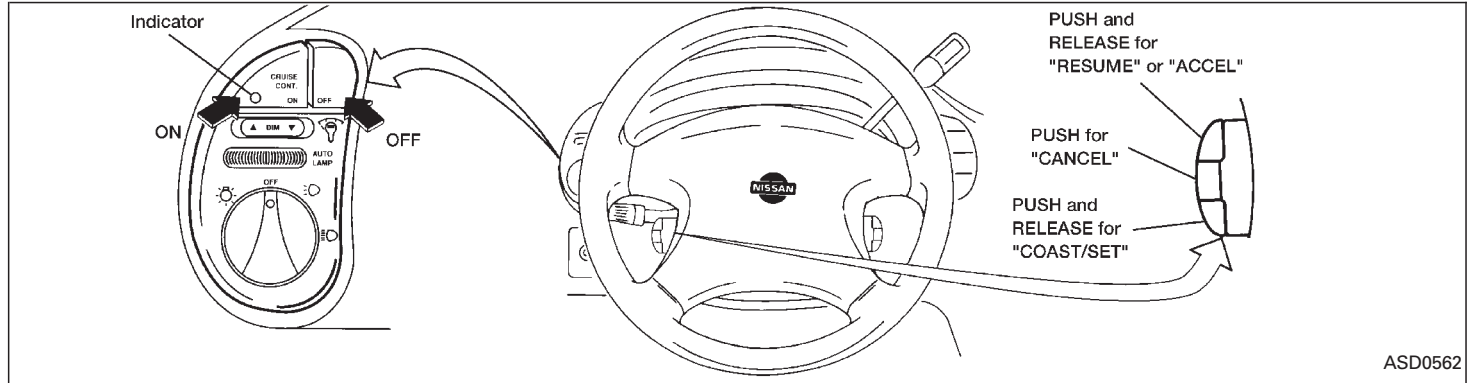
PARKING BRAKE OPERATION



To apply: Firmly depress the parking brake.

To release: Pull the release lever. Before driving, be sure the parking brake warning light goes out.

CRUISE CONTROL



The cruise control allows driving at speeds between 30 and 90 MPH (48 and 144 km/h) without keeping your foot on the accelerator pedal.

To turn the cruise control on, push the CRUISE CONT main switch. The indicator light on the switch comes on.

To set at cruising speed, accelerate your vehicle to the desired speed, push the COAST/SET switch and release it. The CRUISE light in the instrument cluster comes on. Take your foot off the accelerator pedal. Your vehicle maintains the set speed.

- **To pass another vehicle**, depress the accelerator pedal. When you release the pedal, the vehicle returns to the previously set speed.
- The vehicle may not maintain the set speed when going up or down steep hills. If this happens, drive without the cruise control.

To cancel the preset speed, follow any of these three methods:

- a) Push the CANCEL button; the CRUISE light goes out.

- b) Tap the brake pedal; the CRUISE light goes out.
 - c) Push the cruise control OFF switch. Both the ON indicator and CRUISE lights go out.
- If you depress the brake pedal while pushing the RES/ACCEL switch, the RES/ ACCEL function is cancelled.

In order for the RES/ACCEL switch to operate, the COAST/SET must be used to re-engage the system.

- The cruise control automatically cancels if the vehicle slows down more than 8 MPH (13 km/h) below the set speed.

- Move the selector lever to N (Neutral). The CRUISE light goes out.

To reset at a faster cruising speed, use one of the following three methods:

- a) Depress the accelerator pedal. When the vehicle attains the desired speed, push and release the COAST/SET switch.
- b) Push and hold the RES/ACCEL switch. When the vehicle attains the speed you desire, release the switch.
- c) Push, then quickly release the RES/ACCEL switch. Each time you do this, the set speed increases by about 1 MPH (1.6 km/h).

To reset at a slower cruising speed, use one of the following three methods:

- a) Lightly tap the brake pedal. When the vehicle attains the desired speed, push the COAST/SET switch and release it.
- b) Push and hold the COAST/SET switch. Release the switch when the vehicle slows down to the desired speed.
- c) Push, then quickly release the COAST/SET switch. Each time you do

this, the set speed decreases by about 1 MPH (1.6 km/h).

To resume the preset speed, push and release the RES/ACCEL switch. The vehicle resumes the last set cruising speed when the vehicle speed is over 30 MPH (48 km/h).

Precautions

- If the cruise control system malfunctions, it cancels automatically. The CRUISE indicator in the instrument cluster then blinks to warn the driver.
- When the cruise indicator blinks, turn the cruise control switch (main switch) OFF and have the system checked by your NISSAN dealer.
- The cruise indicator may blink when the cruise control main switch is turned ON while pushing either the RES/ACCEL, COAST/SET, or the CANCEL switch (located on the steering wheel). To properly set the cruise control system perform the steps above in the order indicated.

Avoid using the cruise control when driving under the following conditions:

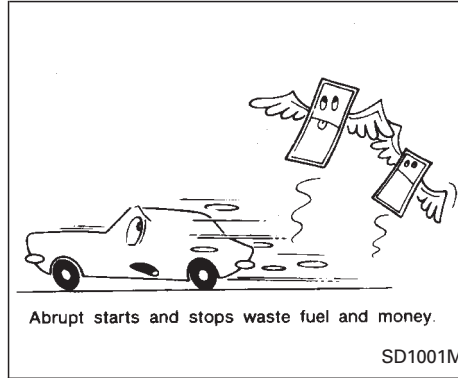
- when it is not possible to keep the vehicle at a set speed.
- in heavy traffic or in traffic that varies in speed.
- on winding or hilly roads.
- on slippery roads (rain, snow, ice, etc.).
- in very windy areas.

BREAK-IN SCHEDULE

During the first 1,000 miles (1,600 km), follow these recommendations for the future reliability and fuel economy of your new vehicle. Failure to follow these recommendations may result in vehicle damage or shortened engine life.

- Do not drive over 55 MPH (90 km/h) and do not run the engine over 4,000 rpm. Avoid driving for long periods at constant speed, either fast or slow.
- Do not accelerate at full throttle in any gear.
- Avoid quick starts.
- Avoid hard braking as much as possible.
- Do not tow a trailer for the first 500 miles (800 km).

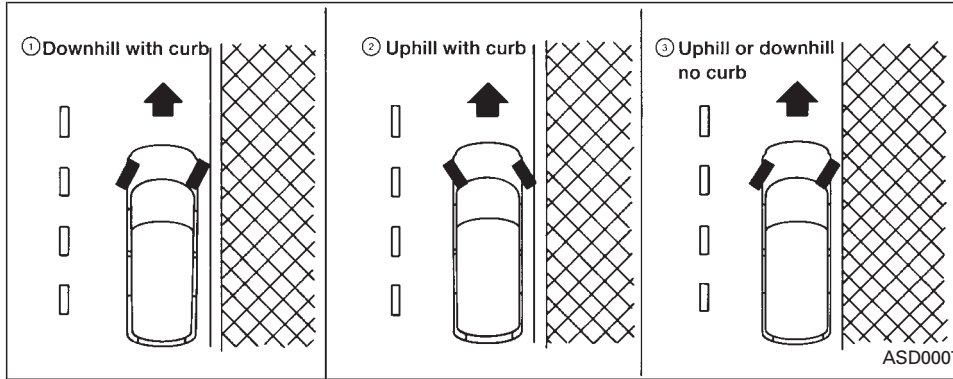
INCREASING FUEL ECONOMY



- Accelerate slowly and smoothly. Maintain cruising speeds with a constant accelerator position.
- Drive at moderate speeds on the highway. Driving at high speed lowers fuel economy.
- Avoid unnecessary stopping and braking. Maintain a safe distance behind other vehicles.
- Use a proper gear range which suits road conditions. On level roads, shift into high gear as soon as possible.
- Avoid unnecessary engine idling.

- Keep your engine tuned up.
- Follow the recommended periodic maintenance schedule.
- Keep the tires inflated at the correct pressure. Low pressure increases tire wear and waste fuel.
- Keep the front wheels in correct alignment. Improper alignment causes not only tire wear but also lower fuel economy.
- Air conditioner operation lowers fuel economy. Use the air conditioner only when necessary.
- When cruising at highway speeds, it is more economical to use the air conditioner and leave the windows closed to reduce drag.

PARKING/PARKING ON HILLS



⚠ CAUTION

Do not park the vehicle over flammable materials such as dry grass, waste paper or rags, as they may burn easily.

1. Firmly apply the parking brake.
2. Move the gearshift lever to the P (Park) position.

⚠ CAUTION

Safe parking procedures require that both the parking brake be set and the transmission placed into P (Park) position. Make sure the shift lever has been pushed up as far as it can go and cannot be moved without pulling it towards you.

3. To help prevent the vehicle from rolling into the street when parked on a sloping driveway, it is a good practice to turn the wheels as illustrated.

- HEADED DOWNHILL WITH CURB: ①
Turn the wheels into the curb and move the vehicle forward until the curb side wheel gently touches the curb.
- HEADED UPHILL WITH CURB: ②
Turn the wheels away from the curb and move the vehicle back until the curb side wheel gently touches the curb.
- HEADED UPHILL OR DOWNHILL, NO CURB: ③

Turn the wheels toward the side of the road so the vehicle will move away from the center of the road if it moves.

4. Turn the ignition key to the LOCK position and remove the key.

⚠ CAUTION

- Never leave the engine running while the vehicle is unattended.
- Never leave children unattended in the vehicle.

PRECAUTIONS WHEN DRIVING

- **Driving with vacuum assisted brake:**

The brake booster aids braking by using engine vacuum. If the engine stops, you can stop the vehicle by depressing the brake pedal. However, greater foot pressure on the brake pedal is required to stop the vehicle and the stopping distance is longer.

- **Driving with the power assisted steering:**

The power assisted steering is designed to use a hydraulic pump, driven by the engine, to assist steering.

If the engine stops or the drive belt breaks, you still have control of the vehicle. However, much greater steering effort is needed, especially in sharp turns or at low speeds.

- **Wet brakes:**

When the vehicle is washed or driven through water, the brakes may get wet. As a result, your braking distance is longer and the vehicle may pull to one side during braking.

To dry brakes, drive the vehicle at a safe speed while lightly pressing the brake

pedal to heat up the brakes. Do this until the brakes return to normal. Avoid driving the vehicle at high speeds until the brakes function correctly.

- Avoid resting your foot on the brake pedal while driving. This overheats the brakes, wears out the brake linings and pads faster and reduces gas mileage.
- To help save the brakes and to prevent the brakes from overheating, reduce speed and downshift to a lower gear before going down a slope or long grade. Overheated brakes may reduce braking performance and could result in loss of vehicle control.
- While driving on a slippery surface, be careful when braking, accelerating or downshifting. Abrupt braking actions or sudden acceleration could cause the wheels to skid.

ANTI-LOCK BRAKE SYSTEM (If so equipped)

The anti-lock brake system controls the brakes at each wheel so the wheels do not lock when braking abruptly or when braking on slippery surfaces. The system detects the rotation speed at each wheel and varies the brake fluid pressure to prevent each wheel from locking and sliding. By preventing wheel lockup, the system helps the driver maintain steering control and helps to minimize swerving and spinning on slippery surfaces.

Using the system

Depress the brake pedal and hold it down.

It is not necessary to pump the brake pedal.

Doing so may result in increased stopping distances.

Normal operation

The anti-lock brake system does not operate at speeds below 3 to 6 MPH (5 to 10 km/h) to completely stop the vehicle. (The speeds vary according to road conditions.) When the anti-lock system senses one or more wheels are close to locking up, the actuator (under the hood) rapidly applies and releases hydraulic pressure (like pumping the brakes very quickly). While the ac-

tuator is working, you may feel a pulsation in the brake pedal and hear a noise or vibration from the actuator under the hood. This is normal and indicates the anti-lock system is working properly. However, the pulsation may indicate road conditions are hazardous and extra care is required while driving.

Self-test feature

The anti-lock brake system consists of electronic sensors, electric pumps, and hydraulic solenoids controlled by a computer. The computer has a built-in diagnostic feature that tests the system each time you start the engine and move the vehicle at a low speed in forward or reverse. When the “self-test” occurs, you may hear a “clunk” noise and/or feel a “pulsation” in the brake pedal. This is normal and is not an indication of any malfunction. If the computer senses any malfunction, it switches the anti-lock brake system OFF and turns on the ANTI-LOCK brake warning light in the dashboard. The brake system then operates normally, but without anti-lock assistance.

If the light comes on during the self check, or while driving, take your vehicle to your NISSAN dealer for repair at your earliest convenience.

WARNING

The anti-lock brake system is a sophisticated device, but it cannot prevent accidents resulting from careless or dangerous driving techniques. It can help maintain vehicle control during braking on slippery surfaces, but remember that the stopping distance on slippery surfaces will be longer than on normal surfaces, even with the anti-lock system. Stopping distances may also be longer on rough, gravel or snow covered roads, or if you are using tire chains. Always maintain a safe distance from the vehicle in front of you. Ultimately, the responsibility for safety of self and others rests in the hands of the driver.

Tire type and condition of tires may also affect braking effectiveness.

- **When replacing tires, install the specified size of tires on all 4 wheels.**

- **When installing a spare tire, make sure it is the proper size and type as specified on the tire placard. For tire placard location information, refer to “Tire placard” in the Owner’s Manual index.**
- **Refer to “Wheels and tires” in the “Do-it-yourself operations” section of this manual.**

COLD WEATHER DRIVING CAUTIONS

Freeing a frozen door lock

To prevent a door lock from freezing, apply de-icer or glycerin to it through the key hole. If the lock becomes frozen, heat the key before inserting it into the key hole.

Anti-freeze

In the winter when it is anticipated that the temperature will drop below 32°F (0°C), check anti-freeze (ethylene glycol base) to assure proper winter protection. For details, see “Engine cooling system” in the “Do-it-yourself operations” section.

Battery

If the battery is not fully charged during extremely cold weather conditions, the battery fluid may freeze and damage the battery. To maintain maximum efficiency, the battery should be checked regularly. For details, see “Battery” in the “Do-it-yourself operations” section.

Draining of coolant water

If the vehicle is to be left outside without anti-freeze, drain the cooling system by opening the drain valves located under the radiator and on the engine block. Refill

before operating the vehicle. See “Changing engine coolant” in the “Do-it-yourself operations” section.

Tire equipment

1. The SUMMER tires are of a tread design to provide superior performance on dry pavement. However, the performance of these tires is substantially reduced in snowy and icy conditions. If you operate your vehicle on snowy or icy roads, NISSAN recommends using MUD & SNOW or ALL SEASON tires on all four wheels. Please consult your NISSAN dealer for the tire type, size, speed rating and availability information.
2. For additional traction on icy roads, studded tires may be used. However, some provinces and states prohibit their use. Check local, state and provincial laws before installing studded tires.

Skid and traction capabilities of studded snow tires, on wet or dry surfaces, may be poorer than that of non-studded snow tires.

3. Snow chains may be used if desired. Make sure they are of proper size for the tires on your vehicle and are installed

according to the chain manufacturer’s suggestions. In addition, drive at a reduced speed, otherwise, your vehicle may be damaged and/or vehicle handling and performance may be adversely affected.

Tire chains

Use of tire chains may be prohibited according to location. Check the local laws before installing tire chains. When installing tire chains, make sure they are of proper size for the tires on your vehicle and are installed according to the chain manufacturer’s suggestions. **Use only SAE Class “S” chains.** Other types may damage your vehicle. Use chain tensioners when recommended by the tire chain manufacturer to ensure a tight fit. Loose end links of the tire chain must be secured or removed to prevent the possibility of whipping action damage to the fenders or undercarriage. If possible, avoid fully loading your vehicle when using tire chains. In addition, drive at a reduced speed. Do not exceed maximum speed suggested by chain manufacturer. Otherwise, your vehicle may be damaged and/or vehicle handling and performance may be adversely affected.

Never install tire chains on T-type and small size spare tires. Do not use the chains on dry roads.

Special winter equipment

It is recommended that the following items be carried in the vehicle during winter:

1. A scraper and stiff-bristled brush to remove ice and snow from the windows and wiper blades.
2. A sturdy, flat board to be placed under the jack to give it firm support.
3. A shovel to dig the vehicle out of snow-drifts.
4. Extra window washer fluid to refill the reservoir tank.

Driving on snow or ice

- Wet ice (32°F, 0°C and freezing rain), very cold snow or ice can be slick and very hard to drive on. The vehicle will have a lot less traction or “grip” under these conditions. Try to avoid driving on wet ice until the road is salted or sanded.
- Whatever the condition, drive with caution and accelerate gently. If accelerated

too fast, the drive wheels spin and lose even more traction.

- Allow more stopping distance under these conditions. Braking should be started sooner than on dry pavement.
- Allow greater following distances on slippery roads.
- Watch for slippery spots (glare ice). These may appear on an otherwise clear road in shaded areas. If a patch of ice is seen ahead, brake before reaching it. Try not to brake while actually on the ice, and avoid any sudden steering maneuvers.

Engine block heater

WARNING

Do not use your heater (if so equipped) with an ungrounded electrical system or two-pronged (cheater) adapters. You can be injured by an electrical shock if you use an ungrounded connection.

5 In case of emergency

Flat tire	5-2
Jump starting.....	5-7
If your vehicle overheats.....	5-9
After an accident	5-10
Tow truck towing	5-11



FLAT TIRE

If you have a flat tire, follow the instructions below:

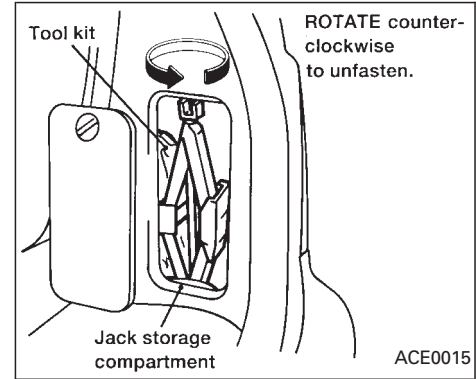
Stopping the vehicle

1. Safely move the vehicle off the road and away from traffic.
2. Turn on the hazard warning flashers.
3. Park on a level surface and apply the parking brake. Move the gearshift lever to the P (Park) position.
4. Turn off the engine.

WARNING

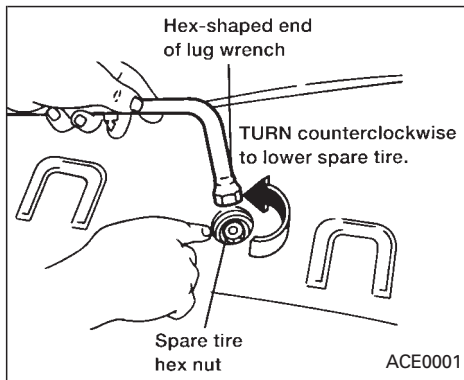
- **Make sure the parking brake is securely applied and the automatic transmission is shifted into P.**
- **Never change tires when the vehicle is on a slope, ice or slippery areas. This is dangerous.**
- **Never change tires if oncoming traffic is close to your vehicle. Wait for professional road assistance.**

- **Raise the hood to warn other traffic, and to signal professional road assistance personnel that you need assistance.**
- **Have all passengers get out of the vehicle and stand in a safe place, away from traffic and clear of the vehicle.**

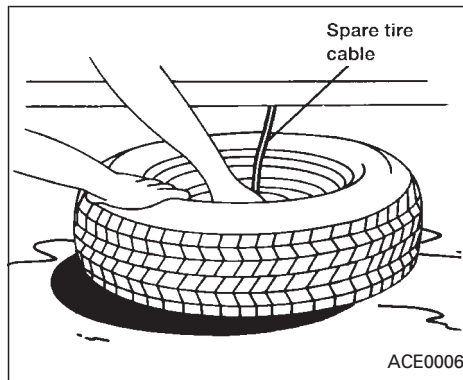


Getting the tools and spare tire

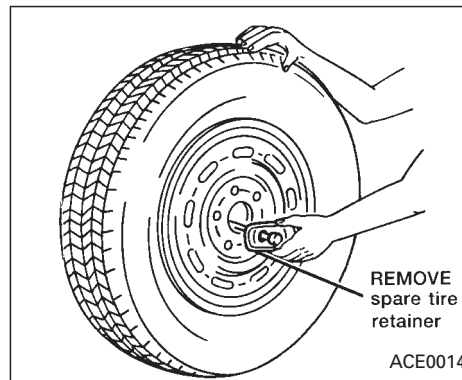
Remove the jack and the tool kit from the jack storage compartment in the luggage area. Remove the lug wrench from the tool kit.



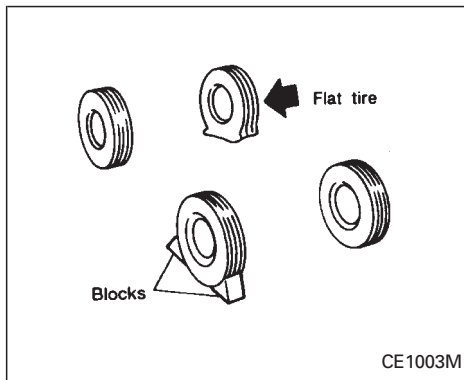
1. Remove the plastic hex nut cover in the carpeting of the cargo area. The hex nut is used to lower and raise the spare tire located underneath the vehicle.
2. Place the lug wrench over the hex nut and turn counterclockwise until the cable extends completely. The spare tire hex nut rachets when the cable is fully extended.



3. Carefully slide the tire from under the rear of the vehicle.



4. Stand the tire up to easily remove the retainer.

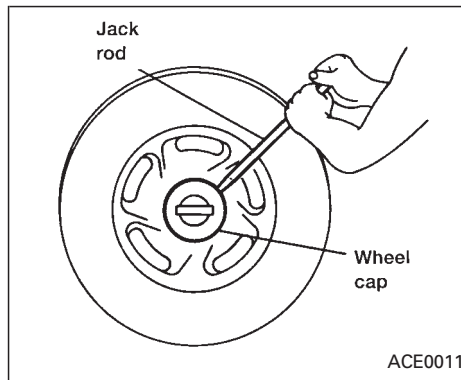


Blocking wheels

Place suitable blocks at both the front and back of the wheel diagonally opposite the flat tire. This prevents the vehicle from rolling when it is jacked up.

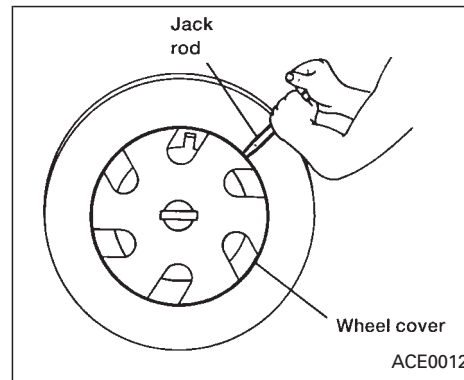
⚠ WARNING

Be sure to block the wheel as the vehicle may move and result in personal injury.



Removing wheel cap

For cap removal, place the screwdriver tip of the jack rod into the indentation between the cap and the wheel. Push and twist gently.

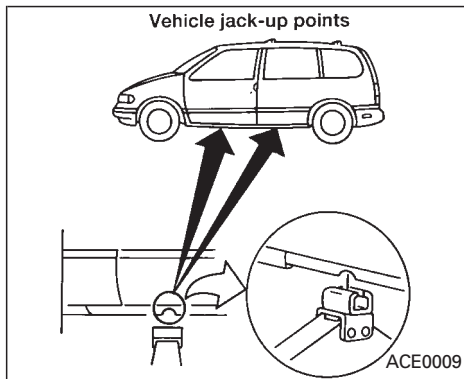


Removing wheel cover

Remove the jack rod from the tool kit. For wheel cover removal, place the screwdriver tip of the jack rod between the wheel cover and the edge of the rim. Push and twist gently.

⚠ WARNING

Do not use your hands to pry off wheel caps or wheel covers. Doing so could result in personal injury.

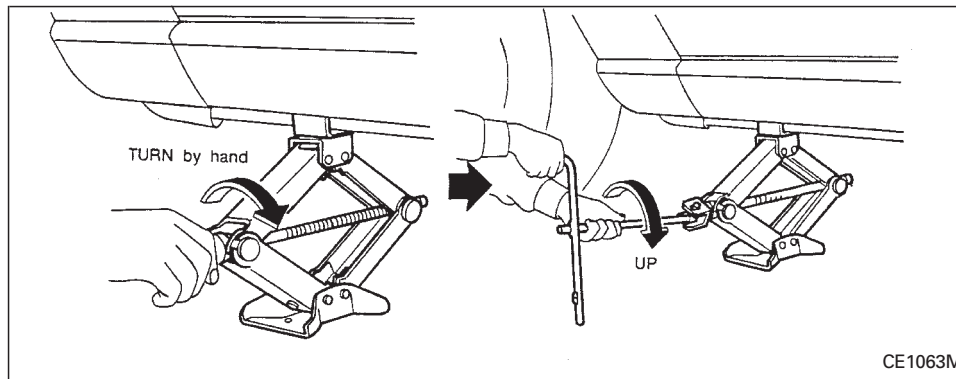


Jacking up and removing wheel

To help avoid personal injury, carefully read the caution label attached to the jack body and the following instructions.

1. Place the jack directly under the jack-up point as illustrated above so the top of the jack contacts the vehicle at the jack-up point. Align the center of both the jack head and the notch at the jack-up point as shown. Also fit the notched portion of the vehicle in the groove of the jack head as shown.

The jack should be used on level firm ground.

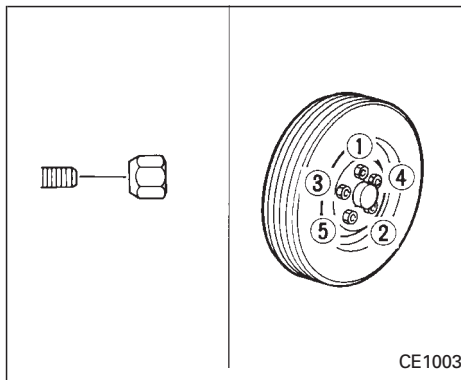


2. Loosen each wheel nut one or two turns by turning counterclockwise with the lug wrench. Do not remove the wheel nuts until the tire is off the ground.
3. Carefully raise the vehicle until the tire clears the ground. Remove the wheel nuts, and then remove the wheel.

WARNING

- Never get under the vehicle while it is supported only by the jack.
- Use the jack provided with your vehicle. Do not use the jack provided with your vehicle on other vehicles. The jack is designed only for lifting your vehicle during a tire change.
- To lift the vehicle, securely hold the jack lever and rod with both hands as shown above.

- Use the correct jack-up points; never use any other part of the vehicle for jack support.
- Never jack up the vehicle more than necessary.
- Never use blocks on or under the jack.
- Do not start or run engine while vehicle is on the jack as it may cause the vehicle to move.
- Do not allow passengers to stay in the vehicle while it is on the jack.
- Do not raise the vehicle using a bumper jack.



Installing wheel

The T-type spare tire is designed for emergency use. See specific instructions under the heading “Wheels and tires” in the “Do-it-yourself operations” section.

1. Clean any mud or dirt from the surface between the wheel and hub.
2. Carefully put the wheel on and tighten the lug nuts finger tight.
3. With the lug wrench, tighten lug nuts alternately and evenly until they are tight.

4. Lower the vehicle slowly until the tire touches the ground. Then, with the lug wrench, tighten the lug nuts securely in the sequence as illustrated.

CAUTION

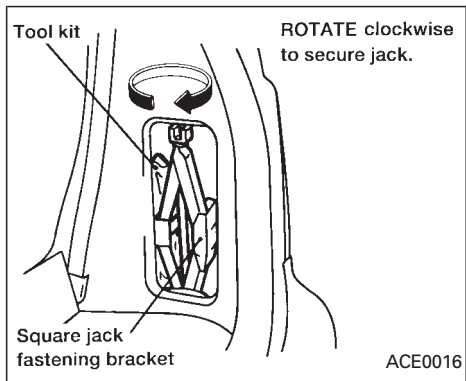
- As soon as possible tighten the lug nuts to the specified torque with a torque wrench.
Lug nut tightening torque:
72 to 87 ft-lb (98 to 118 N·m)
- Adjust tire pressure to the COLD pressure.

COLD pressure:

After vehicle has been parked for three hours or more or driven less than 1 mile (1.6 km).

COLD tire pressures are shown on the tire placard affixed to the driver side center pillar.

- Retighten the lug nuts when the vehicle has been run for 600 miles (1,000 km) after installing the aluminum wheel.



5. Securely store the jacking equipment in the vehicle. The tool kit is stored behind the jack.

Stowing the spare tire or flat tire

1. To raise the tire to the stowed position, install the retainer through the wheel center and turn the wheel lug wrench clockwise until the tire is raised to its original safety position underneath the vehicle.

The spare tire hex nut ratchets when the tire is raised. It won't allow you to over-tighten.

2. Check for proper seating against under-

body supports. If necessary, loosen tire, reposition and retighten.

⚠ WARNING

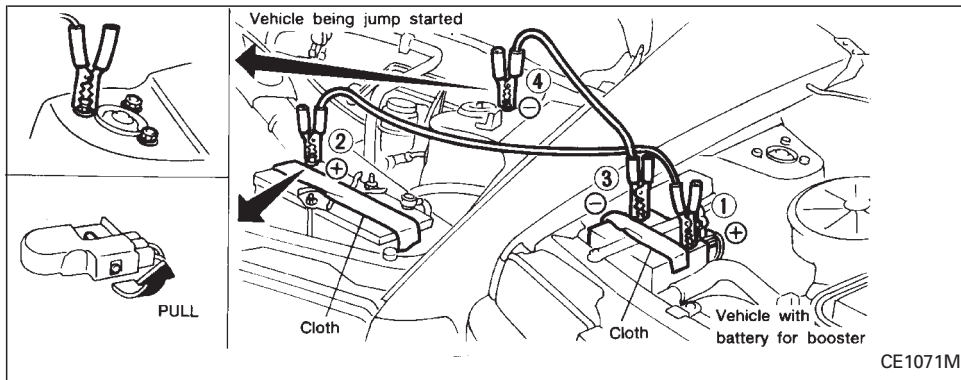
- Always make sure that the spare tire and jacking equipment are properly secured after use. Such items can become dangerous projectiles in an accident or sudden stop.
- The T-type spare tire is designed for emergency use. See specific instructions under the heading "Wheels and tires" in the "Do-it-yourself operations" section.

JUMP STARTING

To start your engine with a booster battery, the instructions and precautions below must be followed.

⚠ CAUTION

- If done incorrectly, jump starting can be hazardous.
- Explosive hydrogen gas is always present in the vicinity of the battery. Keep all sparks and flames away from the battery.
- Do not allow battery fluid to come into contact with eyes, skin, cloth or painted surfaces. Battery fluid is a corrosive sulfuric acid solution which can cause severe burns. If the fluid should come into contact with anything, immediately flush the contacted area with water.
- A battery rated higher than 12 volts should not be used for a booster.
- Whenever working on or near a battery, always wear suitable eye protectors (for example, goggles or industrial safety spectacles) and remove rings, metal bands, or any other metal jewelry.
- Keep battery out of the reach of children.



Always follow the instructions below. Failure to do so could result in damage to the charging system and cause personal injury.

1. If the booster battery is in another vehicle, position the two vehicles to bring their batteries close to each other.

Do not allow the two vehicles to touch.

2. Apply the parking brake. Move the gear-shift lever to the P (Park) position. Switch off all unnecessary electrical systems (lights, heater, air conditioner, etc.).

3. Remove vent caps on the battery (if so equipped). Cover the battery with an old cloth to reduce explosion hazard.

4. Connect jumper cables in the sequence as illustrated.

⚠ CAUTION

- **Always connect positive (+) to positive (+) and negative (-) to body ground (for example, the strut mounting bolt, etc. — not to the battery).**

- **Make sure that cables do not touch moving parts in the engine compartment and that clamps do not contact any other metal.**

5. Start the engine of the other vehicle and let it run for a few minutes.
6. Keep the engine speed of the other vehicle at about 2,000 rpm, and start your engine in the normal manner.

⚠ CAUTION

Do not keep the starter motor engaged for more than 10 seconds. If the engine does not start right away, turn the key off and wait 3 to 4 seconds before trying again.

7. After starting your engine, carefully disconnect the negative cable and then the positive cable.
8. Replace the vent caps (if so equipped). Be sure to dispose of the cloth used to cover the vent holes as it may be contaminated with corrosive acid.

IF YOUR VEHICLE OVERHEATS

CAUTION

Automatic transmission models cannot be push started. This may cause transmission damage.

If your vehicle is overheating (indicated by an extremely high temperature gauge reading), or if you feel a lack of engine power, detect abnormal noise, etc., take the following steps:

WARNING

To avoid the danger of being scalded, never remove the radiator cap while the engine is still hot. When the radiator cap is removed, pressurized hot water will spurt out, possibly causing serious injury.

1. Move the vehicle safely off the road, apply the parking brake and move the gearshift lever to the P (Park) position.
Do not stop the engine.
2. Turn off the air conditioner switch. Open all the windows, move the temperature control dial to warm and fan control knob to 4.
3. Get out of the vehicle. Look and listen for steam or coolant escaping from the radiator before opening the hood. Wait until no steam or coolant can be seen before proceeding.

4. Open the hood.

WARNING

If steam or water is coming from the engine, stand clear to prevent getting burned.

5. If engine overheating is caused by climbing a long hill on a hot day, run the engine at a fast idle (approximately 1,500 rpm) until the temperature gauge indication returns to normal.
6. Visually check drive belts for damage or looseness. Also check to make sure the cooling fan is running. The radiator hoses and radiator should not leak water.

WARNING

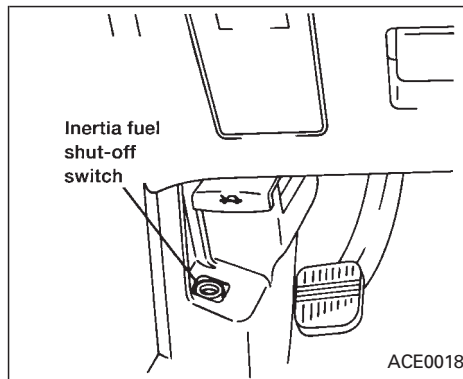
Be careful not to allow your hands, hair or clothing to come into contact with, or to get caught in, the running fan, belts, or motor fan.

The fan motor may start at any time when the coolant temperature is high.

If coolant is leaking, the water pump belt is missing or loose, or the cooling fan does not run, stop the engine.

AFTER AN ACCIDENT

7. After the engine cools down completely, check the coolant level in the reservoir tank with the engine running. Add coolant to the reservoir tank if necessary. Have your vehicle repaired at the nearest NISSAN dealer.



Inertia fuel shut-off switch

When the vehicle is involved in a collision, the inertia fuel shutoff switch is designed to automatically stop the flow of fuel to the engine. The impact forces needed to trigger the switch do not have to be great. Parking lot bumping or road impacts (such as driving over potholes) may trigger the switch.

Once the inertia fuel shutoff switch is triggered, it must be reset before the engine can be started. If your engine cranks but does not start after a collision, take the following steps to correctly reset the switch:

1. Turn the key in the ignition to OFF.
2. Check under the vehicle for leaking fuel.
3. If you do not see or smell fuel, push down the red reset button on the fuel pump shut-off switch.
4. Turn the ignition key ON for a few seconds, then turn it OFF.
5. Check under the vehicle again for leaking fuel. If you see or smell fuel, do not start your vehicle again. If no fuel is detected, try to start your vehicle again.

WARNING

- **If you see or smell fuel, do not reset the switch or try to start your vehicle. You could injure yourself or others. Have all the passengers get out of the vehicle and call the local fire department or a towing service.**

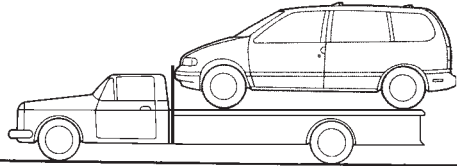
TOW TRUCK TOWING

When towing your vehicle, all state (provincial in Canada) and local regulations for towing must be followed. Incorrect towing equipment could damage your vehicle. Towing instructions are available from your NISSAN dealer. Local service operators are generally familiar with the applicable laws and procedures for towing. To assure proper towing and to prevent accidental damage to your vehicle, NISSAN recommends that you have a service operator tow your vehicle. It is advisable to have the service operator carefully read the following precautions.

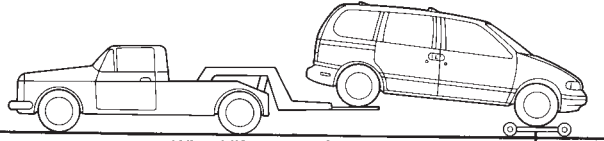
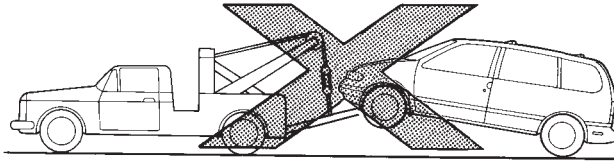
CAUTION

- **When towing, make sure that the transmission, axles, steering system and powertrain are in working condition. If any unit is damaged, dollies must be used.**
- **Never use a tow bar that attaches to the bumper when you tow your vehicle. It may damage the bumper and cause damage to the transmission.**

- **When towing with the front wheels on dollies:**
Turn the ignition key to the OFF position and secure the steering wheel in a straight-ahead position with a rope or similar device. Never place the ignition key in the LOCK position. This will result in damage to the steering lock mechanism. Move the gearshift lever to the N (Neutral) position.
- **When towing with the rear wheels on the ground, release the parking brake.**
- **Attach safety chains for all towing.**

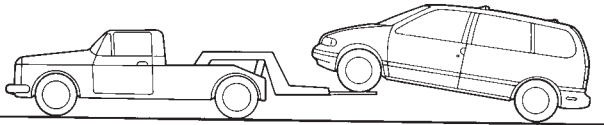
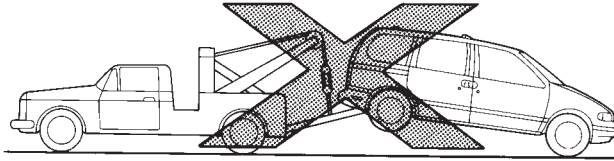


Flat bed tow truck

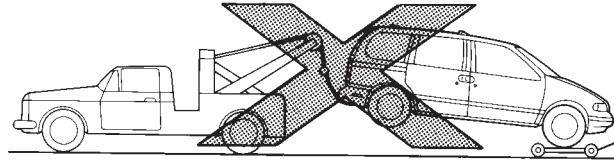


Wheel lift tow truck

Wheel dollies



Wheel lift tow truck



Wheel dollies

ACE0560

NISSAN recommends that your vehicle be towed with the driving (front) wheels off the ground as illustrated.

- **Speed: Below 60 MPH (97 km/h)**
- **Distance: Less than 500 miles (800 km)**

Towing the vehicle with rear wheels raised (with front wheels on the ground)

 **CAUTION**

Never tow the vehicle with the rear wheels raised (with the front wheels on the ground) as this may cause serious and expensive damage to the transmission. If it is necessary to tow the vehicle with the rear wheels raised, always use towing dollies under the front wheels.

If you have to tow the vehicle with four wheels on ground

Observe the following restricted towing speeds and distances.

- **Speed: Below 30 MPH (50 km/h)**
- **Distance: Less than 40 miles (65 km)**

 **CAUTION**

Never tow the vehicle from the rear (i.e., backward) with four wheels on the ground as this may cause serious and expensive damage to the transmission.

- **Do not tow with a sling type truck, either from the front or the rear. It may cause body damage.**
- **Never utilize the rear tie down brackets or slots to tow another vehicle as this may cause body damage.**

VEHICLE RECOVERY (Freeing a stuck vehicle)

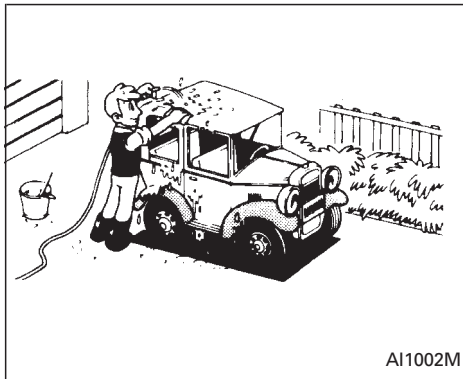
- Tow chains or cables must only be attached to the main structural members of the vehicle.
- Pulling devices should be routed so they do not touch any part of the suspension, steering, brake or cooling systems.
- Always pull the cable straight out from the front or rear of the vehicle. Never pull on the vehicle at a sideways angle.
- Pulling devices such as ropes or canvas straps are not recommended for use in vehicle towing or recovery.

6 Appearance and interior care

Cleaning exterior and interior.....	6-2
Corrosion protection.....	6-4



CLEANING EXTERIOR AND INTERIOR



In order to maintain the appearance of your vehicle, it is important to take proper care of it.

In the following cases, please wash your vehicle as soon as possible to protect the paint surface.

- After a rainfall
- After driving on coastal roads
- When things such as soot, bird droppings, tree sap, metal particles or bugs get on the paint surface
- When dust or mud builds up on the surface

Whenever possible, store or park your vehicle inside a garage or in a covered area.

When it is necessary to park outside, park in a shady area or protect the vehicle with a body cover.

Be careful not to scratch the paint surface when putting on or removing a body cover.

Washing

Wash dirt off with a wet sponge and plenty of water. Clean the vehicle thoroughly using a mild soap or detergent (a special vehicle soap or general purpose dish-washing liquid) mixed with clean, lukewarm (never hot) water.

⚠ CAUTION

Do not use strong household soap, strong chemical detergents, gasoline or solvents.

Rinse the vehicle thoroughly with plenty of clean water.

Inside flanges, seams and folds on the doors, hatches and hood are particularly vulnerable to the effects of road salt. There-

fore, these areas must be regularly cleaned. Take care that the drain holes in the lower edge of the door are open. Spray water under the body and in the wheel wells to loosen the dirt and wash away road salt.

A damp chamois can be used to dry the vehicle to avoid water spots.

Waxing

Regular waxing protects the paint surface and helps retain new vehicle appearance. After waxing, polishing is recommended to remove built-up residue and to avoid a “weathered” appearance.

Your NISSAN dealer can assist you in choosing the proper product.

- Wax your vehicle only after a thorough washing. Follow the instructions supplied with the wax.
- Do not use a wax containing any abrasives, cutting compounds or cleaners that may damage the vehicle finish.
- If the surface does not polish easily, use a “road tar” remover and wax again.

Machine compounding or aggressive polishing on a base coat/clear coat paint finish

may dull the finish or leave swirl marks.

Removing spots

Remove tar and oil spots, industrial dust, insects, and tree sap as quickly as possible from the surface of the paint to avoid lasting damage or staining. Special cleaning products are available at your NISSAN dealer or any automotive accessory store.

Underbody

In areas where road salt is used in winter, the underbody must be cleaned regularly. This prevents dirt and salt from building up and causing underbody and suspension corrosion. Before the winter period and again in the spring, the underseal must be checked and, if necessary, re-treated.

Cleaning glass

Use glass cleaner to remove smoke and dust film from the glass surfaces. It is normal for glass to become coated with a film after the vehicle is parked in the hot sun. Glass cleaner and a soft cloth easily remove this film.

CAUTION

When cleaning the inside of the window, do not use sharp-edged tools, abrasive cleaners or chlorine-based disinfectant cleaners. They could damage electrical conductors or rear window defogger elements.

Cleaning alloy wheels

Wash regularly, especially during winter months in areas where road salt is used. Salt could discolor the wheel if not removed.

Chrome parts

Clean all chrome parts regularly with a non-abrasive chrome polish to maintain the finish.

Plastic parts

Plastic parts can be cleaned with a mild soap solution. If the dirt cannot be easily removed, use a plastic cleaner. Do not use solvents.

Cleaning interior

Occasionally remove loose dust from the interior trim and seats using a vacuum

cleaner or soft brush. Wipe the vinyl and leather surfaces with a clean, soft cloth dampened in mild soap solution, then wipe clean with a dry, soft cloth. Before using any fabric protector, read the manufacturer's recommendations. Some fabric protectors contain chemicals that may stain or bleach the seat material.

CAUTION

- **Never use benzine, thinner, or any similar material.**
- **Leather seats should be regularly coated with a leather wax like saddle soap. Never use car wax.**
- **Never use fabric protectors unless recommended by the manufacturer.**

Front floor mat positioning aid

This model includes a front floor mat bracket to act as a floor mat positioning aid. NISSAN floor mats, specially designed for your vehicle, incorporate grommets. To install, simply position the mat using the floor mat bracket hook through the floor mat grommet hole while centering the mat in the floor pan contour.

CORROSION PROTECTION

Periodically check to make certain the mat is properly positioned.

Floor mats

The use of genuine NISSAN floor mats can extend the life of your vehicle carpet and make it easier to clean the interior. No matter what mats are used, be sure they are fitted for your vehicle and are properly positioned in the footwell to prevent interference with pedal operation. Mats should be maintained with regular cleaning and replaced if they become excessively worn.

Seat belts

The seat belts can be cleaned by wiping them with a sponge dampened in a mild soap solution. Allow the belts to dry completely before using them. Do not allow wet belts to roll up in the retractor. NEVER use bleach, dye, or chemical solvents since these may severely weaken the seat belt webbing.

Most common factors contributing to vehicle corrosion:

1. The accumulation of moisture-retaining dirt and debris in body panel sections, cavities, and other areas.
2. Damage to paint and other protective coatings caused by gravel and stone chips or minor traffic accidents.

Environmental factors influence the rate of corrosion:

Moisture

Accumulation of sand, dirt and water on the vehicle body underside can accelerate corrosion. Wet floor coverings do not dry completely inside the vehicle, and should be removed for drying to avoid floor panel corrosion.

Relative humidity

Corrosion will be accelerated:

- in areas of high relative humidity
- especially in those areas where the temperatures stay above freezing
- where atmospheric pollution exists

- where road salt is used

Temperature

A temperature increase accelerates the rate of corrosion to those parts which are not well ventilated.

Air pollution

Industrial pollution, the presence of salt in the air in coastal areas, or heavy road salt use accelerates the corrosion process. Road salt also accelerates the disintegration of paint surfaces.

To protect your vehicle from corrosion:

- Wash and wax your vehicle often to keep the vehicle clean.
- Always check for minor damage to the paint and repair it as soon as possible.
- Keep drain holes at the bottom of the doors open to avoid water accumulation.
- Check the underbody for accumulation of sand, dirt or salt. If present, wash with water as soon as possible.
- **NEVER remove dirt, sand or other debris from the passenger compartment.**

ment by washing it out with a hose. Remove dirt with a vacuum cleaner or broom.

- **Never allow water or other liquids to come in contact with electronic components inside the vehicle.**

7 Do-it-yourself operations

Maintenance precautions	7-2	Spark plug replacement	7-12
Engine compartment check locations	7-3	Air cleaner housing filter	7-13
Engine cooling system	7-4	Wiper blades	7-14
Engine oil	7-5	Parking brake check.....	7-16
Automatic transmission fluid	7-8	Brake pedal	7-16
Power steering fluid.....	7-9	Brake booster	7-17
Brake fluid	7-10	Fuses.....	7-17
Window washer fluid	7-10	Fusible links.....	7-18
Battery	7-11	Light bulbs	7-19
Drive belts	7-12	Wheels and tires	7-24



MAINTENANCE PRECAUTIONS

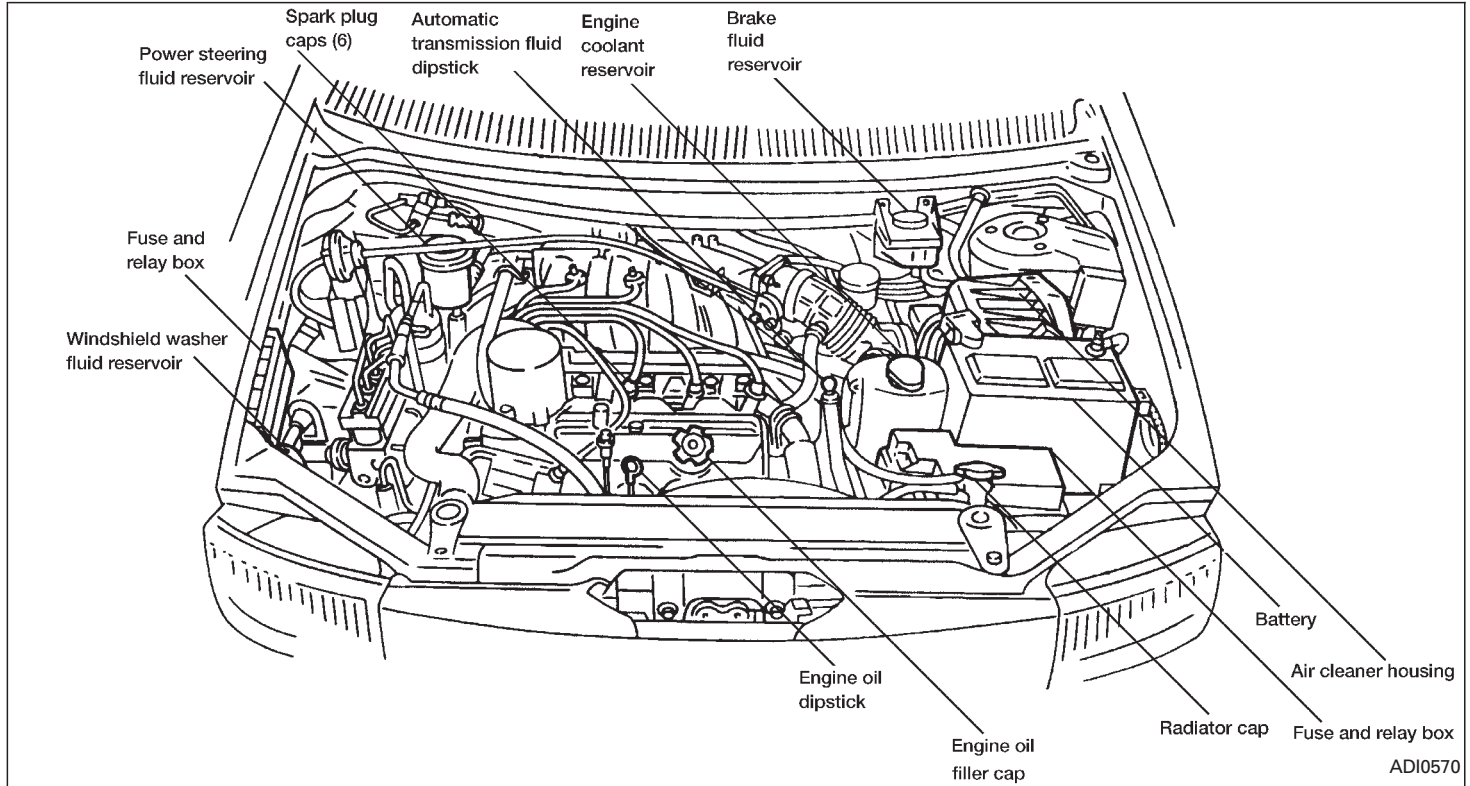
When performing any inspection or maintenance work on your vehicle, always take care to prevent serious accidental injury to yourself or damage to the vehicle. The following are general precautions which should be closely observed.

- **Park the vehicle on a level surface, apply the parking brake securely and block the wheels to prevent the vehicle from moving. Move the gearshift lever to neutral (N).**
- **Be sure the ignition key is OFF when performing any replacement or repair.**
- **Do not work under the hood while the engine is hot. Turn off the engine and wait until it cools down.**
- **Be sure to turn the ignition key to the OFF or LOCK position. When the ignition key is in the ON or ACC position, the cooling fan may start to operate suddenly even when the engine is not running.**
- **If you must work with the engine running, keep your hands, clothing, hair and tools away from moving fans, belts and any other moving parts.**
- **It is advisable to remove ties and any jewelry, such as rings, watches, etc. before working on your vehicle.**
- **If you must run the engine in an enclosed space such as a garage, be sure there is proper ventilation for exhaust gases.**
- **Never get under the vehicle while it is supported only by a jack. If it is necessary to work under the vehicle, support it with safety stands.**
- **Keep smoking materials, flame and sparks away from fuel and the battery.**
- **Never connect or disconnect either the battery or any transistorized component connector while the ignition is on.**
- **On gasoline engine models with the multiport fuel injection (MFI) system, the fuel filter or fuel lines should be serviced by a NISSAN dealer because the fuel lines are under high pressure even when the engine is off.**
- **Failure to follow these or other common sense guidelines may lead to serious injury or vehicle damage.**
- **Improperly disposed motor oil and/or other vehicle fluids can hurt the environment. Always conform to local regulations for disposal of vehicle fluid.**

This “Do-it-yourself operations” section gives instructions regarding only those items which are relatively easy for an owner to perform.

You should be aware that incomplete or improper servicing may result in operating difficulties or excessive emissions, and could affect your warranty coverage. **If in doubt about any servicing, have it done by your NISSAN dealer.**

ENGINE COMPARTMENT CHECK LOCATIONS



ENGINE COOLING SYSTEM

The engine cooling system is filled at the factory with a high-quality, year-round, anti-freeze coolant solution. The anti-freeze solution contains rust and corrosion inhibitors, therefore additional cooling system additives are not necessary.

CAUTION

When adding or replacing coolant, be sure to use only an ethylene glycol anti-freeze with the proper mixture ratio. Examples are shown below:

Outside temperature down to		Anti-freeze	Soft water
°C	°F		
-35	-30	50%	50%

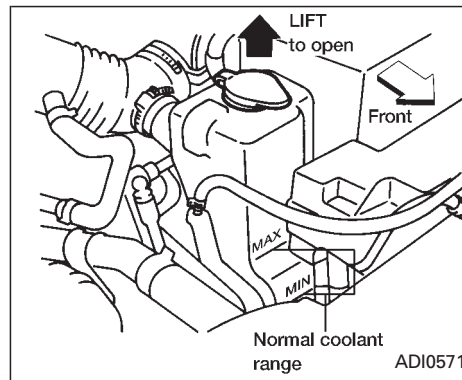
The use of other types of coolant solutions may damage your cooling system.

The radiator is equipped with a pressure cap. Use an appropriate NISSAN genuine cap or its equivalent when replacement is required.

Never remove the radiator cap when the engine is hot. Serious burns could be

caused by high pressure fluid escaping from the radiator.

Wait until the engine and radiator cool down. See precautions in “If your vehicle overheats” found in the “In case of emergency” section.



CHECKING ENGINE COOLANT LEVEL

With coolant reservoir

Check the coolant level in the reservoir tank when the engine is cold. If the coolant level is below MIN, add coolant up to the MAX level. If the reservoir tank is empty, check the coolant level in the radiator **when the engine is cold**. If there is insufficient coolant in the radiator, fill the radiator with coolant up to the filler opening and also add it to the reservoir tank up to the MAX level.

ENGINE OIL

If the cooling system frequently requires coolant, have it checked by your NISSAN dealer.

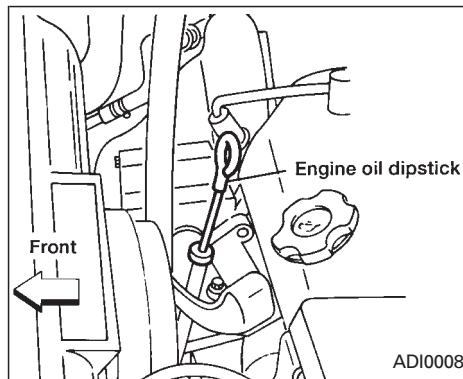
CHANGING ENGINE COOLANT

Your NISSAN dealer can change the engine coolant. The service procedure is found in NISSAN's service manual.

Improper servicing can result in reduced heater performance and engine overheating.

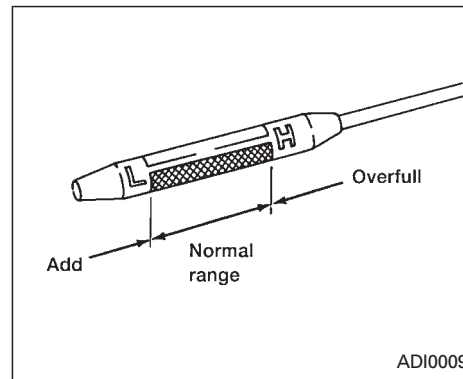
WARNING

To avoid danger of being scalded, never change the coolant when the engine is hot.



CHECKING ENGINE OIL LEVEL

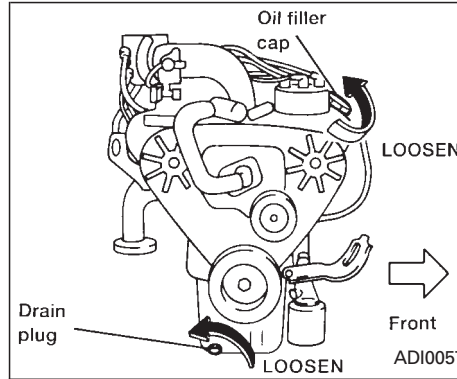
1. Park the vehicle on a level surface and apply the parking brake.
2. Run the engine until it reaches operating temperature.
3. Turn the engine off. **Wait a few minutes for the oil to drain back into the oil pan.**
4. Remove the dipstick and wipe it clean. Reinsert it all the way.



5. Remove the dipstick again and check the oil level. It should be between the H and L marks. If the oil level is below the L mark, remove the oil filler cap and pour recommended oil through the opening. **Do not overfill.**
6. Recheck the oil level with the dipstick.

⚠ CAUTION

- Oil level should be checked regularly. Operating with an insufficient amount of oil can damage the engine, and such damage is not covered by warranty.
- It is normal to add some oil between oil maintenance intervals or during the break-in period, depending on the severity of operating conditions.



CHANGING ENGINE OIL

1. Park the vehicle on a level surface and apply the parking brake.
2. Run the engine until it reaches operating temperature, then turn it off.
3. Place a large drain pan under the drain plug.
4. Remove the oil filler cap.
5. Remove the drain plug with a wrench and completely drain the oil.

If the oil filter is to be changed, remove and replace it at this time. See “Changing the oil filter” later in this section.

⚠ WARNING

- Prolonged and repeated contact with used engine oil may cause skin cancer.
- Try to avoid direct skin contact with used oil. If skin contact is made, wash thoroughly with soap or hand cleaner as soon as possible.
- Keep used engine oil out of reach of children.
- Be careful not to burn yourself, as the engine oil is hot.

⚠ CAUTION

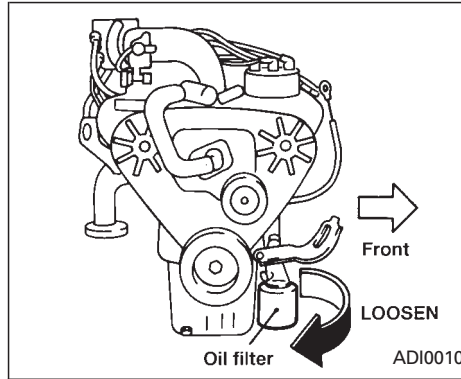
Waste oil must be disposed of properly. Check your local regulations.

6. Clean and re-install the drain plug with a new washer. Securely tighten the drain plug with a wrench.

**Drain plug tightening torque:
22 to 29 ft-lb
(29 to 39 N·m)**

Do not use excessive force.

7. Refill the engine with a recommended oil and install the cap securely. See the “Technical and consumer information” section for refill capacity.
8. Start the engine. Check for leakage around the drain plug. Correct as required.
9. Turn the engine off and wait several minutes. Check the oil level with the dipstick. Add engine oil if necessary.



CHANGING ENGINE OIL FILTER

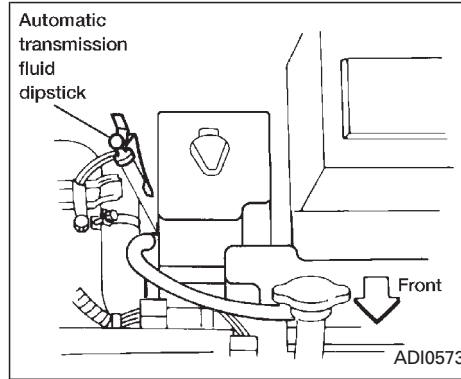
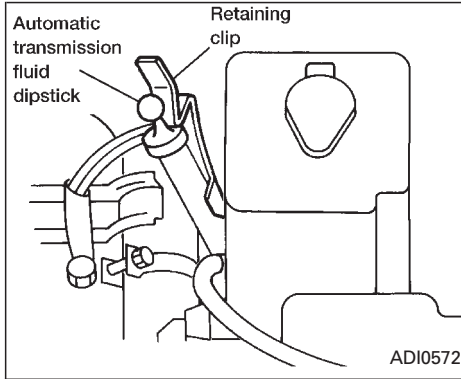
1. Park the vehicle on a level surface and apply the parking brake.
2. Turn the engine off.
3. Loosen the oil filter with an oil filter wrench. Remove the oil filter by turning it by hand.

⚠ WARNING

Be careful not to burn yourself, as the engine oil may be hot.

4. Wipe the engine oil filter mounting surface with a clean rag. Be sure to remove any old rubber gasket remaining on the mounting surface of the engine.
5. Coat the rubber gasket on the new filter with clean engine oil.
6. Screw the oil filter in until a slight resistance is felt, then tighten additionally more than 2/3 turn.
7. Start the engine and check for leakage around the oil filter. Correct as required.
8. Turn the engine off and wait several minutes. Check the oil level. Add engine oil if necessary.

AUTOMATIC TRANSMISSION FLUID

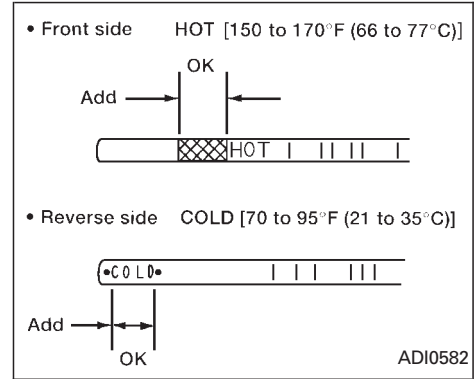


⚠ WARNING

- When engine is running, keep hands and clothing away from any moving parts such as cooling fan and drive belt.
- Automatic transmission fluid is poisonous and should be stored carefully in marked containers out of the reach of children.

TEMPERATURE CONDITIONS FOR CHECKING

- Check the fluid level using the HOT range on the dipstick after the following conditions have been met:
 - The engine is warmed up to operating temperature.
 - The vehicle is driven at least 15 minutes.
 - The automatic transmission fluid is warmed to between 150°F and 170°F (66°C to 77°C).
- The fluid can be checked at fluid tem-



peratures of 70°F to 95°F (21°C to 35°C) using the COLD range on the dipstick after the engine is warmed up and before driving. However, the fluid should be re-checked using the HOT range.

1. Park the vehicle on a level surface and set the parking brake.
2. Start the engine and then move the gearshift lever through each gear range, ending in P (Park) after you have moved it through all ranges.

3. Check the fluid level with the engine idling.
4. Remove the dipstick and wipe it clean with lint-free paper.
5. Reinsert the dipstick into the charging pipe as far as it goes.
6. Remove the dipstick and note the reading. If the level is at the low side of either range, add fluid to the charging pipe.

DO NOT OVERFILL.

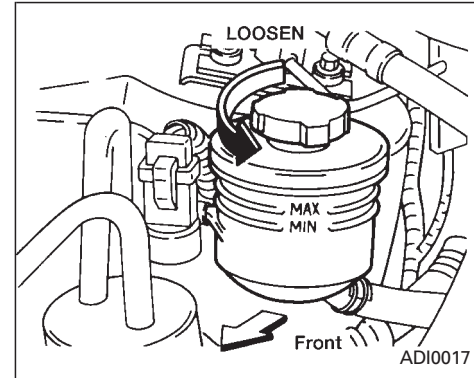
Use **ONLY** Nissan Matic 'D' (Continental U.S. and Alaska) or Genuine Nissan Automatic Transmission Fluid (Canada). Dexron® III/Mercon® or equivalent may also be used. Outside the continental United States and Alaska contact a Nissan dealership for more information regarding suitable fluids, including recommended brand(s) of Dexron® III/Mercon® or Dexron® IIE/Mercon® Automatic Transmission Fluid.

NOTE:

If the vehicle has been driven for a long time at high speeds, or in city traffic in hot weather, or if it is being used to pull

a trailer, the accurate fluid level cannot be read. You should wait until the fluid has cooled down (about 30 minutes).

POWER STEERING FLUID



Check the fluid level in reservoir.

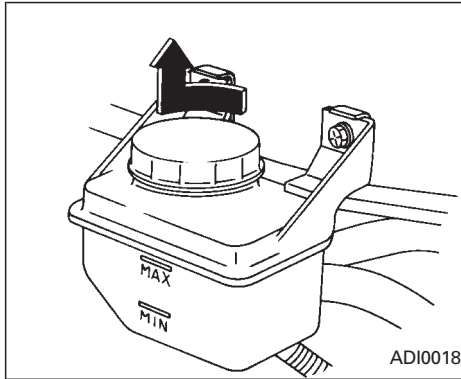
The fluid level should be checked by looking at the MAX and MIN lines at fluid temperatures of 32°F to 86°F (0°C to 30°C).

If the fluid is below the MIN line, add fluid type Dexron II™ up to the MAX line.

⚠ CAUTION

- Do not overfill.
- The recommended fluid is type F automatic transmission fluid or equivalent.

BRAKE FLUID

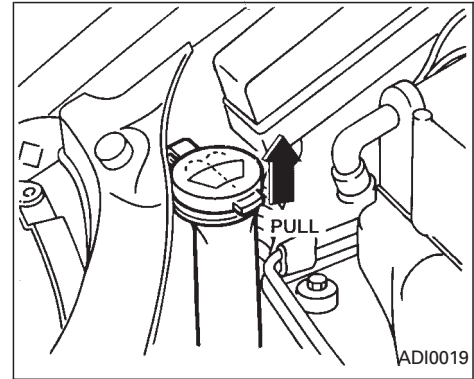


Check the fluid level in the reservoir. If the fluid is below the MIN line or the brake warning light comes on, add **DOT 3** fluid up to the MAX line. If fluid must be added frequently, the system should be thoroughly checked by your NISSAN dealer. For further brake fluid specification information, refer to the "Technical and Consumer Information" section in this manual.

CAUTION

- Use only new fluid. Old, inferior, or contaminated fluid may damage the brake system. The use of improper fluids can damage the brake system and affect the vehicle's stopping ability.
- Do not spill the fluid on painted surfaces. This will damage the paint. If fluid is spilled, wash with water.

WINDOW WASHER FLUID



Add fluid when the low washer fluid warning light comes on. To check the fluid level, look down the fill tube of the washer fluid reservoir in the engine compartment.

To add fluid, remove the reservoir cap and refill reservoir.

This reservoir serves both front and rear washer systems.

CAUTION

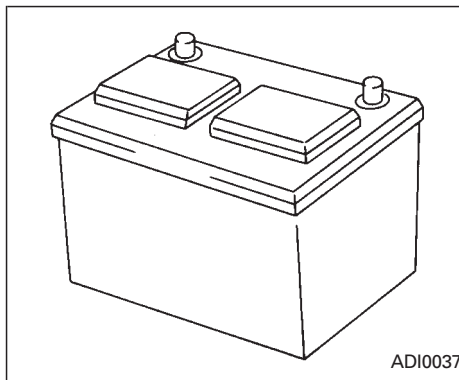
Do not substitute engine anti-freeze coolant for window washer solution. This may result in damage to the paint.

BATTERY

- Keep the battery surface clean and dry. Any corrosion should be washed off with a solution of baking soda and water.
- Make certain the terminal connections are clean and securely tightened.
- If the vehicle is not to be used for 30 days or longer, disconnect the negative (-) battery terminal cable to prevent discharge.

WARNING

Do not expose the battery to flames or electrical sparks. Hydrogen gas generated by battery action is explosive. Do not allow battery fluid to contact your skin, eyes, fabrics, or painted surfaces. After touching a battery or battery cap, do not touch or rub your eyes. Thoroughly wash your hands. If the acid contacts your eyes, skin or clothing, immediately flush with water for at least 15 minutes and seek medical attention.



Check the fluid level in each cell. It should be between the MAX and MIN lines.

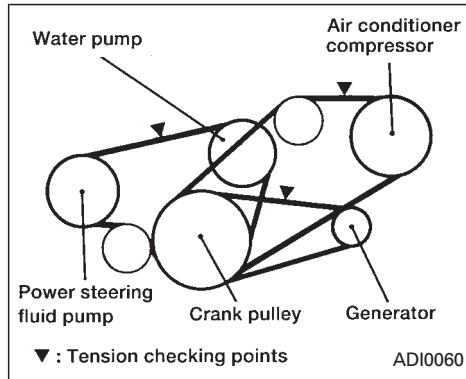
If it is necessary to add fluid, add only distilled water to bring the level to the indicator in each filler opening. **Do not overfill.**

1. Remove the cell plugs using a suitable tool.
2. Add distilled water up to the MAX level.
3. Tighten cell plugs.

JUMP STARTING

If jump starting is necessary, see the “In case of emergency” section. If the engine does not start by jump starting, the battery may have to be replaced. Contact your NISSAN dealer.

DRIVE BELTS

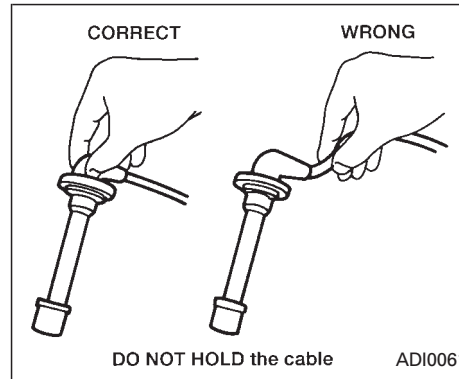


⚠ WARNING

Be sure the ignition key is OFF.

1. Visually inspect each belt for signs of unusual wear, cuts, fraying or looseness. If the belt is loose or in poor condition, have it replaced or adjusted by your NISSAN dealer.
2. Have the belts checked regularly for condition and tension in accordance with the maintenance schedule in this manual.

SPARK PLUG REPLACEMENT



⚠ WARNING

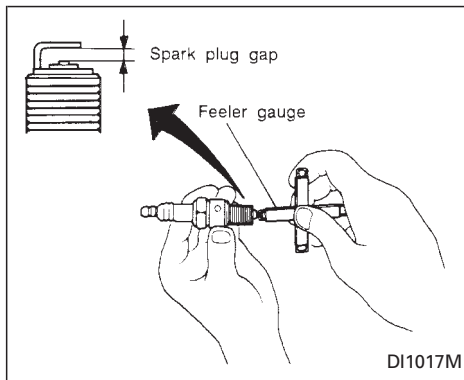
Be sure the engine and ignition switch are off and that the parking brake is engaged securely.

⚠ CAUTION

Be sure to use the correct socket to remove the plugs. An incorrect socket can cause damage.

1. Disconnect the spark plug cables from the spark plugs.

When disconnecting, always hold the boots, not the cables.



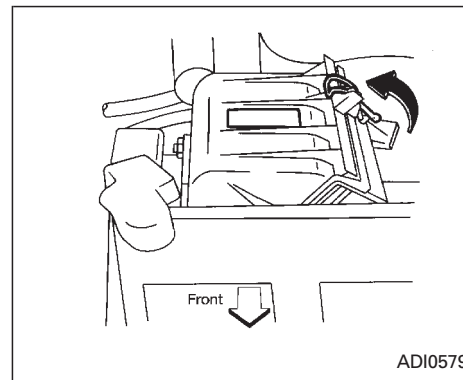
2. Remove the spark plugs with a spark plug socket. The plug socket has a rubber seal that holds the spark plug so it does not fall when it is pulled out. Make sure each spark plug is snugly fitted into the plug socket.
3. Check the gap on each new spark plug with a feeler gauge. (The spark plug gap is shown in the "Technical and consumer information" section.) Adjust it as required.

4. Fit the new plugs, one at a time, into the spark plug socket and install them. Turn each plug several full turns by hand, then tighten with a spark plug socket to the correct torque. Do not overtighten.

Spark plug tightening torque:
14 to 22 ft-lb (20 to 29 N·m)

5. Holding the boot, re-connect each high tension cable to its proper spark plug by pushing it on until you feel a snap.

AIR CLEANER HOUSING FILTER

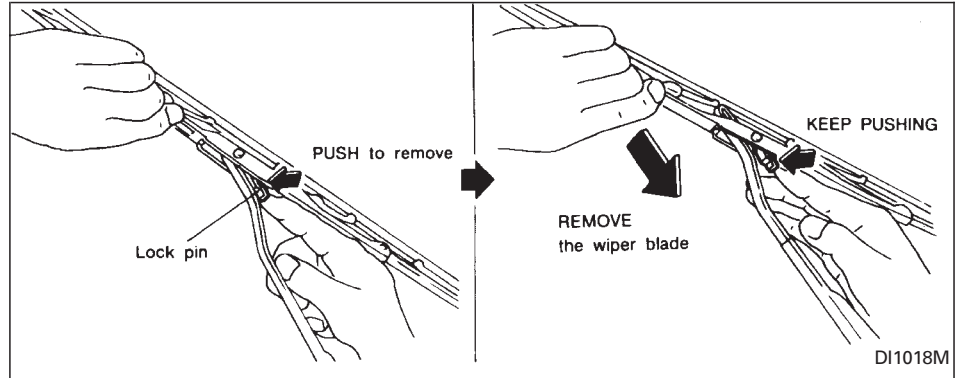


The filter should not be cleaned and reused. Replace it according to the maintenance intervals shown in the "Maintenance schedule" section. When replacing the filter, unclip the four clamps and remove the filter. Wipe the inside of the air cleaner housing and the cover with a damp cloth when replacing filter.

WIPER BLADES

WARNING

Operating the engine with the air cleaner off can cause you or others to be burned. The air cleaner not only cleans the air, it stops flame if the engine backfires. If it isn't there, and the engine backfires, you could be burned. Don't drive with it off, and be careful working on the engine with the air cleaner off.



1) CLEANING

If your windshield is not clear after using the windshield washer or if the wiper blade chatters when running, wax or other material may be on the blade or windshield.

Clean the outside of the windshield with a washer solution or a mild detergent. Your windshield is clean if beads do not form when rinsing with clear water.

Clean the blade by wiping it with a cloth soaked in a washer solution or a mild detergent. Then, rinse the blade with clear water. If your windshield is still not

clear after cleaning the blades and using the wipers, replace the blades.

2) REPLACEMENT

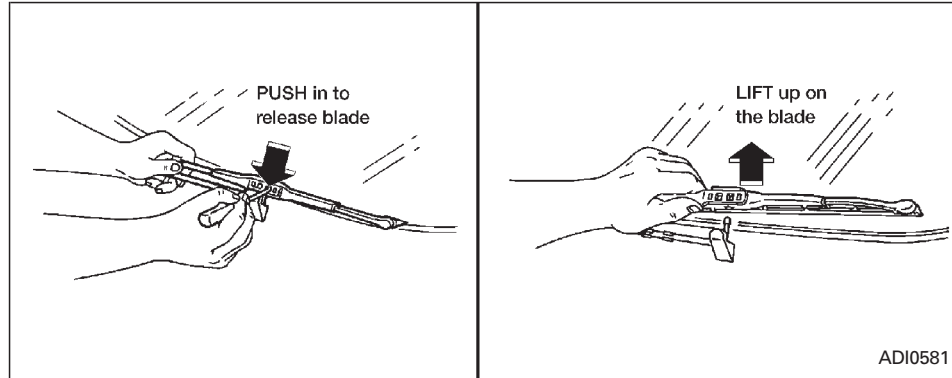
1. Lift the wiper arm away from the windshield.
2. Push the lock pin, then remove the wiper blade.
3. Insert the new wiper blade to the wiper arm until it clicks into place.

⚠ CAUTION

After wiper blade replacement, return the wiper arm to its original position.

Otherwise it may be damaged when the engine hood is opened.

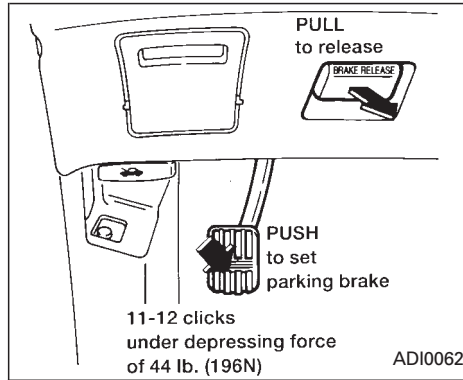
Make sure the wiper blade contacts the glass, otherwise the arm may be damaged from wind pressure.



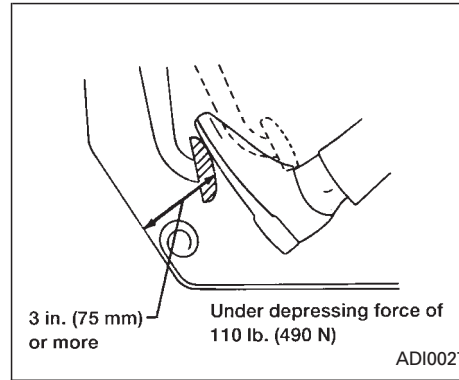
Rear wiper blade replacement

1. Lift wiper arm away from the windshield.
2. Push in the lock pin with a suitable tool, then pull up on the blade.
3. Insert a new wiper blade onto the wiper arm and press down until the blade clicks into place.

PARKING BRAKE CHECK



BRAKE PEDAL



With the engine running, check the distance between the upper surface of the pedal and the floor. If it is out of the range shown above, see your NISSAN dealer.

WARNING

See your NISSAN dealer and have it checked if the brake pedal height does not return to normal.

SELF-ADJUSTING BRAKES

Your vehicle is equipped with self-adjusting brakes.

The front disc-type brakes self-adjust every time the brake pedal is applied. The rear drum-type brakes also self-adjust every time the brake pedal is applied. If the brake pedal goes down farther than normal, see your NISSAN dealer.

Brake pad wear indicators

The disc pads on your vehicle have audible wear indicators. When a brake pad requires replacement, it makes a high pitched scraping or screeching sound when the vehicle is in motion whether or not the brake pedal is depressed. Have the brakes checked as soon as possible if the wear indicator sound is heard.

Under some driving or climate conditions, occasional brake squeak, squeal or other noise may be heard. Occasional brake noise during light to moderate stops is normal and does not affect the function or performance of the brake system.

The rear drum brakes (if so equipped) do not have audible wear indicators. Should

BRAKE BOOSTER

you ever hear an unusually loud noise from the rear drum brakes, have them inspected as soon as possible by your NISSAN dealer.

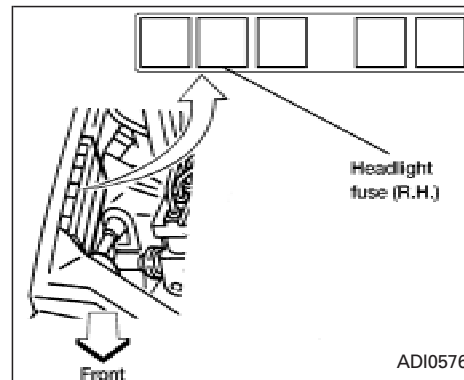
Proper brake inspection intervals should be followed. For more information regarding brake inspections, see the appropriate maintenance schedule information in the “Maintenance Schedule” section of this manual.

Check the brake booster function as follows:

1. With the engine off, press and release the brake pedal several times. When brake pedal movement (distance of travel) remains the same from one pedal application to the next, continue on to the next step.
2. While depressing the brake pedal, start the engine. The pedal height should drop a little.
3. With the brake pedal depressed, turn the engine off. Keep the pedal depressed for about 30 seconds; the pedal height should not change.
4. Run the engine for one minute without depressing the brake pedal, then turn it off. Depress the brake pedal several times. The pedal travel distance will decrease gradually with each depression as the vacuum is released from the booster.

If the brakes do not operate properly, see your NISSAN dealer.

FUSES



Engine compartment (headlight fuses)

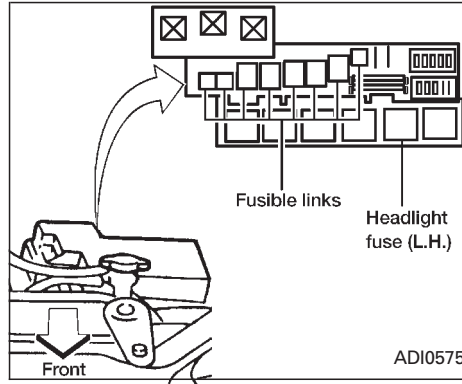
If a headlight does not come on, check for an open fuse:

The left headlight (driver's side) fuse is located in the left-hand fuse box, near the radiator cap.

The right headlight (passenger side) fuse is located in the right-hand fuse box, found in the right-front corner of the engine compartment.

FUSIBLE LINKS

1. Turn the headlight switch to the OFF position.
2. Open the engine hood.
3. Remove the appropriate fuse box cover.
4. Remove the fuse with the fuse puller attached to the passenger compartment fuse box cover.



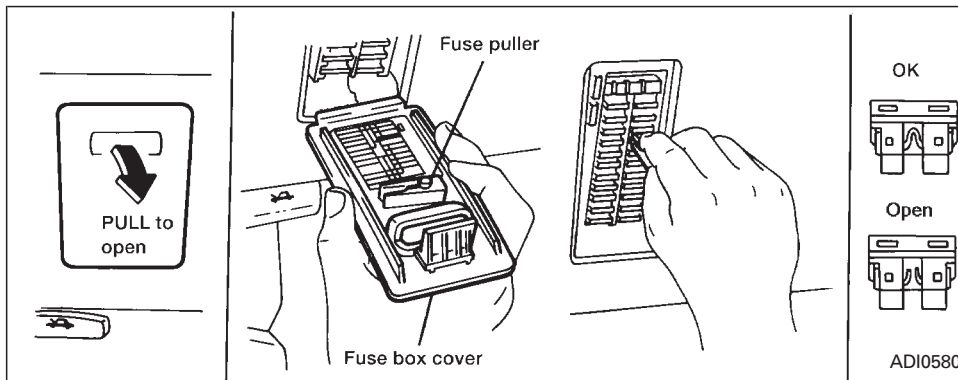
5. If the fuse is open, replace it with a new fuse.

Never use a fuse of a higher amperage rating than that specified on the fuse box cover.

6. If a new fuse opens again, have the electrical system checked and repaired by your NISSAN dealer.

If the electrical equipment does not operate and fuses are in good condition, check the fusible links. If any of these fusible links are melted, replace only with genuine NISSAN parts.

If the new fusible link melts again, have the system checked and repaired by your NISSAN dealer.



Passenger compartment

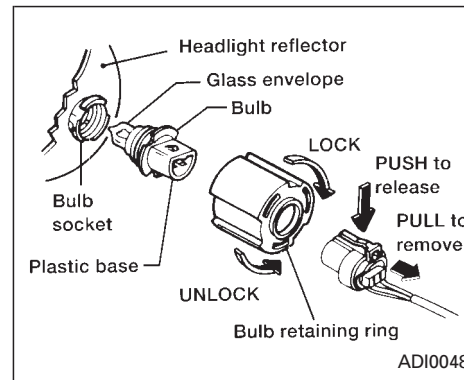
If the electrical equipment does not operate, check for an open fuse.

1. Remove the key from the ignition.
2. Open the fuse box cover. Refer to the fuse label on the fuse box cover to locate the fuse in question.
3. Remove the fuse with the fuse puller.
4. If the fuse is open, replace it with a new fuse.

Never use a fuse of a higher amperage rating than that specified on the fuse box cover.

5. If a new fuse opens again, have the electrical system checked and repaired by your NISSAN dealer.

LIGHT BULBS



HEADLIGHTS

The headlight is a semi-sealed beam type which uses a replaceable headlight (halogen) bulb. A bulb can be replaced from inside the engine compartment without removing the headlight assembly.

CAUTION

High pressure halogen gas is sealed inside the halogen bulb. The bulb may break if the glass envelope is scratched or the bulb is dropped.

Hold the plastic base when handling the bulb. Never touch the glass envelope.

Removing the headlight bulb

1. Disconnect the negative battery cable.
2. Disconnect the electrical connector from the rear end of the bulb.
3. Turn the bulb retaining ring counterclockwise until it is free from the headlight reflector, then remove it.
4. Remove the headlight bulb by pulling straight rearward. Do not shake or rotate the bulb when removing it.

Replacing the headlight bulb

1. Insert the bulb into the headlight reflector with the flat side of the plastic base facing upward.
2. Install the bulb retaining ring and turn it clockwise until it stops.
3. Push the electrical connector into the bulb plastic base until it snaps and stops.

CAUTION

DO NOT TOUCH THE BULB.

- Use the same number and wattage as originally installed:

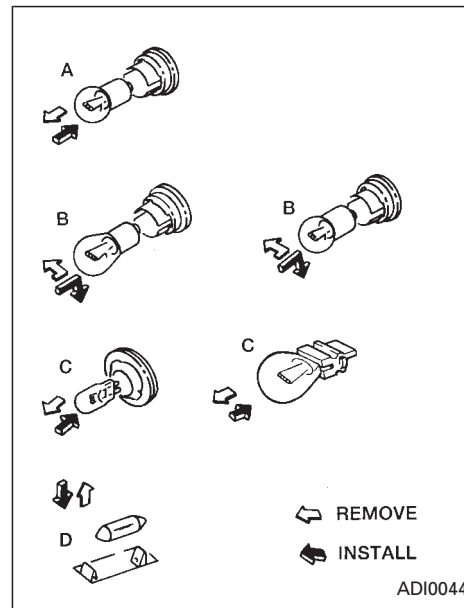
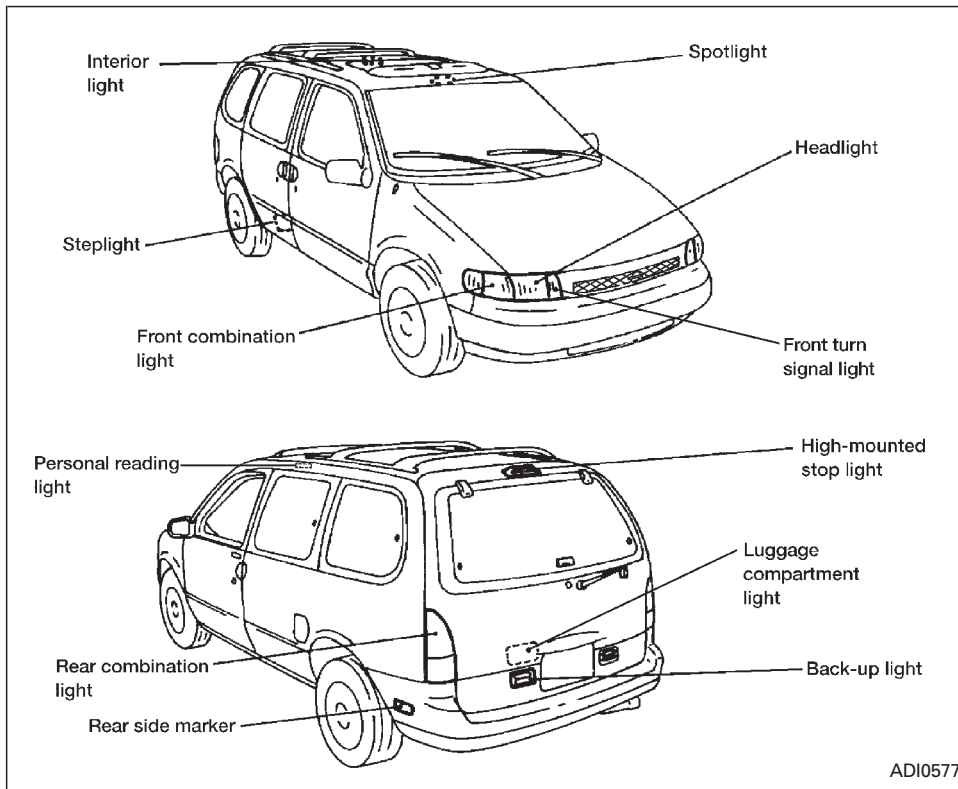
Wattage 55/65

Bulb no. 9007

- **Aiming is not necessary after replacing the bulb. When aiming adjustment is necessary, contact your NISSAN dealer.**
- **Do not leave the bulb out of the headlight reflector for a long period of time as dust, moisture, and smoke may enter the headlight body and affect the performance of the headlight.**

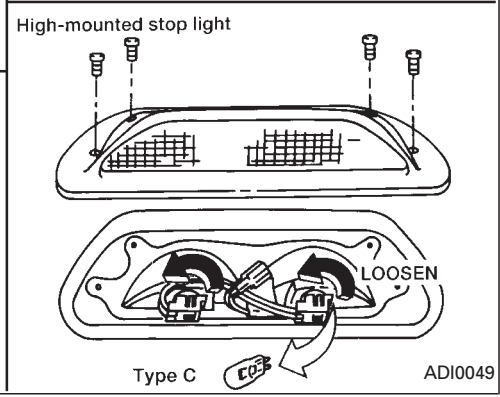
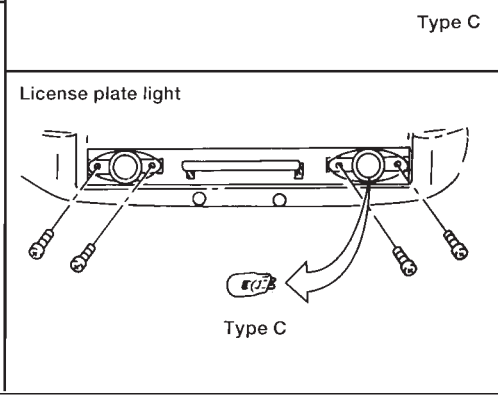
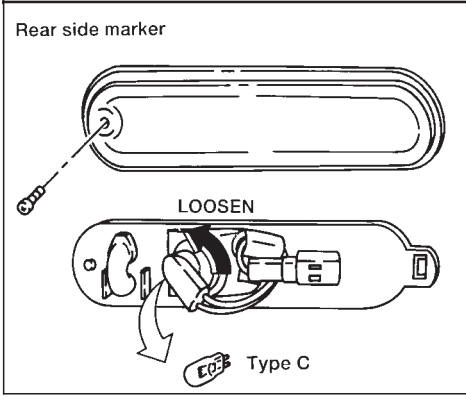
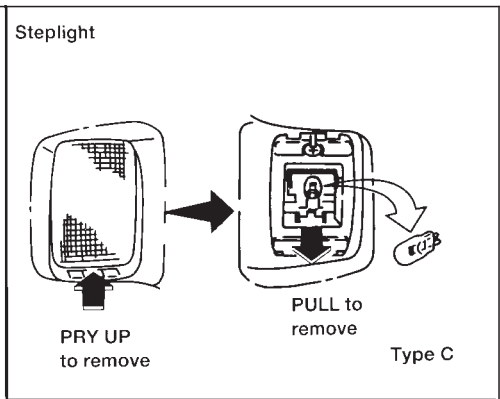
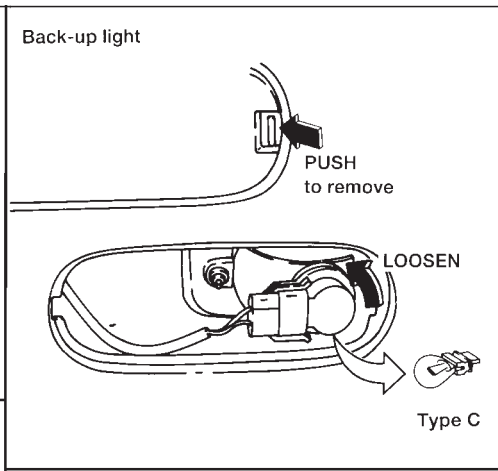
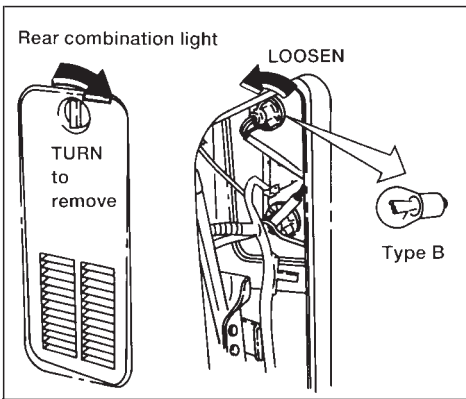
BULB REPLACEMENT

Item	Wattage (W)	Bulb No.
Front combination light:		
Front side marker light	3.8	194
Clearance/Cornering	8.25/27	3157
Front turn signal light	27	3475
Rear combination light:		
Turn signal	27	1156NA
Stop/Tail	27	1157
Back-up light	27	3156
Rear side marker light	3.8	194
License plate light	3.8	194
High-mounted stop light	12.8	912
Interior light	12	211-2
Personal reading light	9.8	208
Luggage compartment light	12	211-2
Steplight	3.8	194
Spotlight	10	—

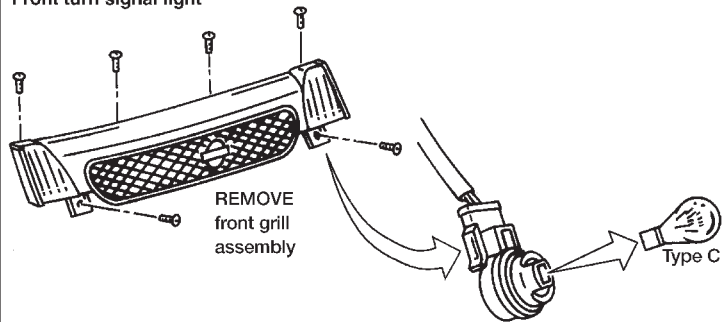


Replacement procedures

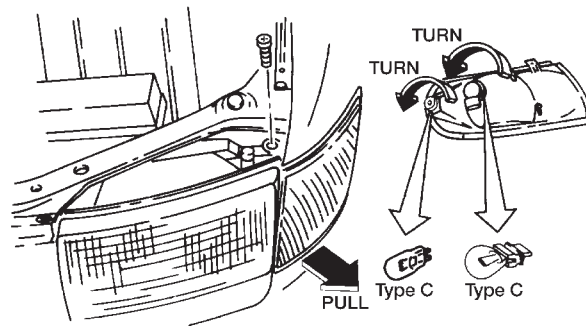
All lights (except for headlights) are either type A, B, C or D. When replacing a bulb, first remove the lens and/or cover.



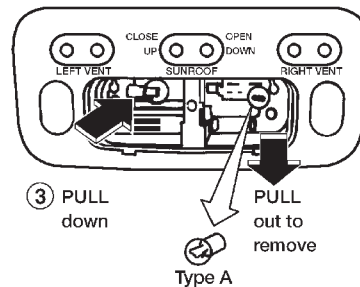
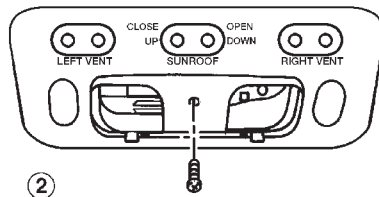
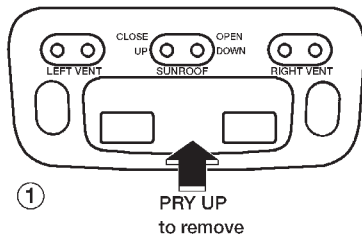
Front turn signal light



Front combination light



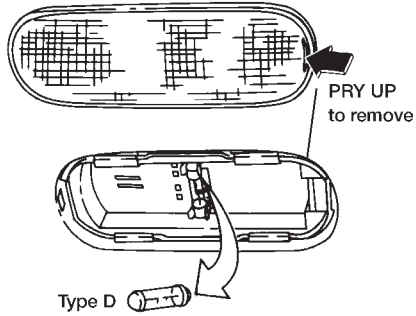
Spotlight



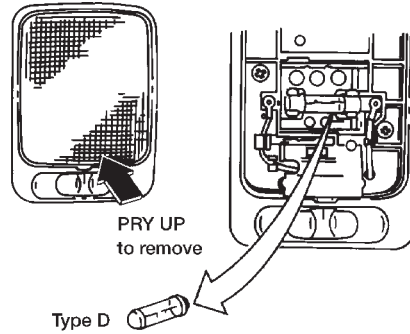
ADI0574

WHEELS AND TIRES

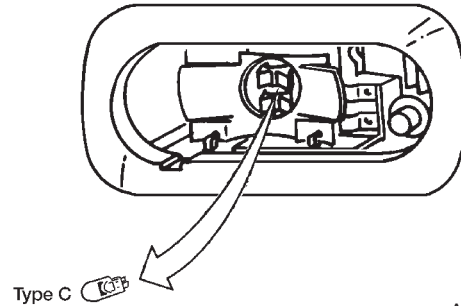
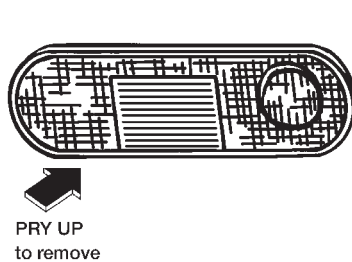
Luggage compartment light



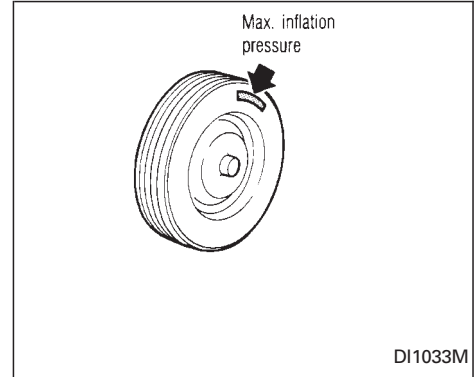
Interior light



Personal reading light



ADI0578



If you have a flat tire, see “In case of emergency” section.

Maximum inflation pressure

Do not exceed the maximum inflation pressure shown on the side wall of the tire.

Tire inflation pressure

Periodically check the tire pressure (including spare). Incorrect tire pressure may adversely affect tire life and vehicle handling. Tire pressure should be checked when tires are **COLD**. Tires are considered **COLD** after the vehicle has been parked for three or

more hours, or driven less than 1 mile (1.6 km). COLD tire pressures are shown on the tire placard affixed to the glove box door.

CAUTION

The vehicle weight capacity is indicated on the tire placard. Do not load your vehicle beyond this capacity. Overloading your vehicle may result in reduced tire life, unsafe operating conditions due to premature tire failure, or unfavorable handling characteristics and could also lead to a serious accident. Loading beyond the specified capacity may also result in failure of other vehicle components.

Before taking a long trip, or whenever you have loaded your vehicle heavily, use a tire pressure gauge to ensure that the tire pressure is at the specified level.

CAUTION

Do not drive your vehicle over 85 MPH (140 km/h) unless it is equipped with high speed capability tires. Driving faster than 85 MPH (140 km/h) may result in tire failure, loss of control and possible injury.

Types of tires

CAUTION

When changing or replacing tires, be sure all four tires are of the same type (i.e., Summer, All Season or Snow) and construction. Your NISSAN dealer may be able to help you with information about tire type, size, speed rating and availability. Replacement tires may have a lower speed rating than the factory equipped tires, and may not match the potential maximum vehicle speed. Never exceed the maximum speed rating of the tire.

All season tires

NISSAN specifies All Season tires to provide good performance all year, including snowy and icy road conditions. All Season Tires are identified by “ALL SEASON” and/or “M&S” on the tire sidewall. Snow tires have better snow traction than All Season tires and may be more appropriate in some areas.

Snow tires

If snow tires are needed, it is necessary to select tires equivalent in size and load rating

to the original equipment tires. If you do not, it can adversely affect the safety and handling of your vehicle.

Generally, snow tires have lower speed ratings than factory equipped tires and may not match the potential maximum vehicle speed. Never exceed the maximum speed rating of the tire.

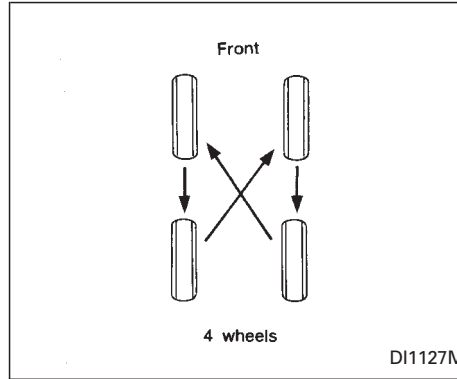
For additional traction on icy roads, studded tires may be used. However, some states and provinces prohibit their use. Check local, state and provincial laws before installing studded tires. Skid and traction capabilities of studded snow tires on wet or dry surfaces may be poorer than that of non-studded snow tires.

Tire chains

Use of tire chains may be prohibited according to location. Check the local laws before installing tire chains. When installing tire chains, make sure they are of proper size for the tires on your vehicle and are installed according to the chain manufacturer’s suggestions. **Use only SAE Class “S” chains.** Other types may damage your vehicle. Use chain tensioners when recommended by the tire chain manufacturer to ensure a tight

fit. Loose end links of the tire chain must be secured or removed to prevent the possibility of whipping action damage to the fenders or undercarriage. If possible, avoid fully loading your vehicle when using tire chains. In addition, drive at a reduced speed. Do not exceed maximum speed suggested by chain manufacturer. Otherwise, your vehicle may be damaged and/or vehicle handling and performance may be adversely affected.

Never install tire chains on T-type and small size spare tires. Do not use the chains on dry roads.



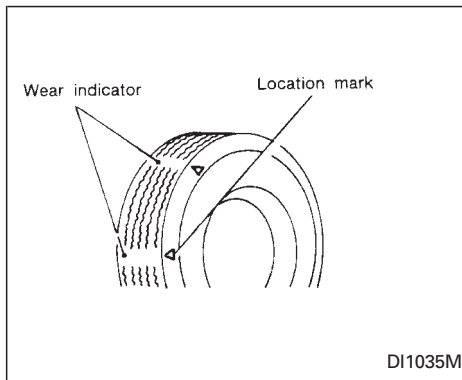
Tire rotation

NISSAN recommends rotating the tires every 7,500 miles (12,000 km).

See “Flat tire” in the “In case of emergency” section for tire replacing procedures.

CAUTION

- After rotating the tires, adjust the tire pressure.
- Retighten the lug nuts after the wheels have been run for the first 600 miles (1,000 km) (also in cases of a flat tire, etc.).
- Do not include the T-type spare tire or any other small size spare tire in the tire rotation.



Tire wear and damage

⚠ WARNING

- **Tires should be periodically inspected for wear, cracking, bulging, or objects caught in the tread. If excessive wear, cracks, bulging, or deep cuts are found, the tire should be replaced.**
- **The original tires have a built-in tread wear indicator. When the wear indicator is visible, the tire should be replaced.**

- **Improper service for a T-type spare tire may result in serious personal injury. If it is necessary to repair the T-type spare tire, contact your NISSAN dealer.**

Changing tires and wheels

When replacing a tire, use the same size, speed rating and load carrying capacity as originally equipped. Recommended types and sizes are shown in “Wheels and tires” in the “Technical and consumer information” section. The use of tires other than those recommended or the mixed use of tires of different brands, construction (bias, bias-belted or radial), or tread patterns can adversely affect the ride, braking, handling, ground clearance, body-to-tire clearance, snow chain clearance, speedometer calibration, headlight aim and bumper height. **Some of these effects may lead to accidents and could result in serious personal injury.**

If the wheels are changed for any reason, always replace with wheels which have the same offset dimension. Wheels of a different offset could cause early tire wear, possibly degraded vehicle handling character-

istics and/or interference with the brake discs/drums. Such interference can lead to decreased braking efficiency and/or early brake pad/shoe wear.

⚠ WARNING

Do not install a deformed wheel or tire even if it has been repaired. Such wheels or tires could have structural damage and could fail without warning.

Wheel balance

Unbalanced wheels may affect vehicle handling and tire life. Even with regular use, wheels can get out of balance. Therefore, they should be balanced as required.

Wheel balance service should be performed with the wheels off the vehicle. Spin balancing the front wheels on the vehicle could lead to transmission damage.

Care of wheels

- Wash the wheels when washing the vehicle to maintain their appearance.
- Clean the inner side of the wheels when the wheel is changed or the underside of the vehicle is washed.

- Do not use abrasive cleaners when washing the wheels.
- Inspect wheel rims regularly for dents or corrosion. Such damage may cause loss of pressure or poor seal at the tire bead.
- NISSAN recommends waxing the road wheels to protect against road salt in areas where it is used during winter.

Spare tire (T-type spare tire)

Observe the following precautions if the T-type spare tire must be used, otherwise your vehicle could be damaged or involved in an accident.

CAUTION

- **The T-type spare tire should be used only for emergency. It should be replaced by the standard tire at the first opportunity.**
- **Drive carefully while the T-type spare tire is installed. Avoid sharp turns and abrupt braking while driving.**
- **Periodically check tire inflation pressure, and always keep it at 60 psi (420 kP, 4.2 bar).**

- **Do not drive your vehicle at speeds faster than 50 MPH (80 km/h).**
- **Do not use tire chains on a T-type spare tire. Tire chains will not fit properly on the T-type spare tire and may cause damage to the vehicle.**
- **When driving on roads covered with snow or ice, the T-type spare tire should be used on the rear wheel and the original tire used on the front wheels (drive wheels). Use tire chains only on the front two original tires.**
- **Tire tread of the T-type spare tire will wear at a faster rate than the original tire. Replace the T-type spare tire as soon as the tread wear indicators appear.**
- **Because the T-type spare tire is smaller than the original tire, ground clearance is reduced. To avoid damage to the vehicle do not drive over obstacles. Also do not drive the vehicle through an automatic car wash since it may get caught.**
- **Do not use the T-type spare tire on other vehicles.**

- **Do not use more than one T-type spare tire at the same time.**
- **Do not tow a trailer while the T-type spare tire is installed.**

8 Maintenance schedule

General maintenance	8-2
Periodic maintenance schedules	8-5



GENERAL MAINTENANCE

Your new NISSAN has been designed to have minimum maintenance requirements with longer service intervals to save you both time and money. However, some day-to-day and regular maintenance is essential to maintain your NISSAN's good mechanical condition, as well as its emission and engine performance.

It is the owner's responsibility to make sure the specified maintenance, as well as general maintenance, is performed.

As the vehicle owner, you are the only one who can ensure that your vehicle receives the proper maintenance care. You are a vital link in the maintenance chain.

General maintenance

General maintenance includes those items which should be checked during normal day-to-day operation of the vehicle. They are essential if your vehicle is to continue to operate properly. It is your responsibility to perform these procedures regularly as prescribed.

These checks or inspections can be done by yourself, a qualified technician or, if you prefer, your NISSAN dealer.

Periodic maintenance

The maintenance items listed in this section must be serviced at regular intervals.

However, under severe driving conditions, additional or more frequent maintenance is required.

Where to go for service

If maintenance service is required or your vehicle appears to malfunction, have the systems checked and tuned by an authorized NISSAN dealer.

NISSAN technicians are well-trained specialists and are kept up to date with the latest service information through technical bulletins, service tips, and in-dealership training programs. They are completely qualified to work on NISSAN's vehicles **before** they work on your vehicle, rather than after they have worked on it.

You can be confident that your NISSAN dealer's service department performs the best job to meet the maintenance requirements on your vehicle — in a reliable and economic way.

During the normal day-to-day operation of the vehicle, general maintenance should be performed regularly as prescribed in this section. If you detect any unusual sounds, vibrations or smells, be sure to check for the cause or have your NISSAN dealer do it promptly. In addition, you should notify your NISSAN dealer if you think repairs are required.

When performing any checks or maintenance work, closely observe the precautions in the "Do-it-yourself operations" section.

Additional information on the following items with "*" can be found in the "Do-it-yourself operations" section.

OUTSIDE THE VEHICLE

The maintenance items listed here should be performed from time to time, unless otherwise specified.

Tires* — Check the pressure with a gauge periodically when at a service station, including the spare, and adjust to the specified pressure if necessary. Check carefully for damage, cuts or excessive wear.

Wheel nuts* — When checking the tires,

make sure no nuts are missing, and check for any loose nuts. Tighten if necessary.

Tire rotation* — Tires should be rotated every 7,500 miles (12,000 km).

Wheel alignment and balance — If the vehicle should pull to either side while driving on a straight and level road, or if you detect uneven or abnormal tire wear, there may be a need for wheel alignment.

If the steering wheel or seat vibrates at normal highway speeds, wheel balancing may be needed.

Windshield wiper blades* — Check for cracks or wear if they do not wipe properly.

Doors and engine hood — Check that all doors and the engine hood operate properly. Also ensure that all latches lock securely. Lubricate hinges, latches, rollers and links if necessary. Make sure the secondary latch keeps the hood from opening when the primary latch is released.

When driving in areas using road salt or other corrosive materials, check lubrication frequently.

INSIDE THE VEHICLE

The maintenance items listed here should be checked on a regular basis, such as when performing periodic maintenance, cleaning the vehicle, etc.

Lights* — Make sure the headlights, stop lights, tail lights, turn signal lights, and other lights are all operating properly and installed securely. Also check headlight aim.

Warning lights and buzzers/chimes — Make sure all warning lights and buzzers/chimes are operating properly.

Windshield wiper and washer* — Check that the wipers and washer operate properly and that the wipers do not streak.

Windshield defroster — Check that the air comes out of the defroster outlets properly and in sufficient quantity when operating the heater or air conditioner.

Steering wheel — Check for changes in the steering conditions, such as excessive freeplay, hard steering or strange noises.

Seats — Check seat position controls such as seat adjusters, seatback recliner, etc. to ensure they operate smoothly and all latches lock securely in every position.

Check that the head restraints move up and down smoothly and the locks hold securely in all latched positions. Check that the seat leg latches lock securely in every anchor position for the folding down rear seat and detachable rear seat (if so equipped).

Seat belts — Check that all parts of the seat belt system (e.g. buckles, anchors, adjusters and retractors) operate properly and smoothly, and are installed securely. Check the belt webbing for cuts, fraying, wear or damage.

Accelerator pedal — Check the pedal for smooth operation and make sure the pedal does not catch or require uneven effort. Keep the floor mats away from the pedal.

Brakes — Check that the brakes do not pull the vehicle to one side when applied.

Brake pedal* — Check the pedal for smooth operation and make sure it has the proper distance under it when depressed fully. Check the brake booster function. Be certain to keep floor mats away from the pedal.

Parking brake* — Check that the pedal is adjusted to specification and confirm that your vehicle is held securely on a fairly

steep hill with only the parking brake applied.

Automatic transmission “Park” mechanism — On a fairly steep hill check that your vehicle is held securely with the selector lever in the P (Park) position without applying any brakes.

UNDER THE HOOD AND VEHICLE

The maintenance items listed here should be checked periodically, for example, each time you check the engine oil or refuel.

Windshield washer fluid* — Check that there is adequate fluid in the tank.

Engine coolant level* — Check the coolant level when the engine is cold.

Radiator and hoses — Check the front of the radiator and clean off any dirt, insects, leaves, etc., that may have accumulated. Make sure the hoses have no cracks, deformation, rot, or loose connections.

Brake fluid level* — Make sure the brake fluid level is between the MAX and MIN lines on the reservoir.

Battery* — Check the fluid level in each

cell. It should be between the MAX and MIN lines.

Engine drive belts* — Make sure no belts are frayed, worn, cracked or oily.

Engine oil level* — Check the level after parking the vehicle on a level surface and turning off the engine.

Power steering fluid level* and lines — Check the level when the fluid is cold and the engine is turned off. Check the lines for proper attachment, leaks, cracks, etc.

Automatic transmission fluid level* — Check the level after putting the selector lever in P (Park) with the engine idling.

Exhaust system — Make sure there are no cracks, holes, loose joints or supports. If the sound of the exhaust seems unusual or there is a smell of exhaust fumes, immediately have the exhaust system inspected by a qualified individual. (See the carbon monoxide warning in the “Starting and driving” section.)

Underbody — The underbody is frequently exposed to corrosive substances such as those used on icy roads or to control dust. It is very important to remove these sub-

stances, otherwise rust forms on the floor pan, frame, fuel lines and around the exhaust system. At the end of winter, the underbody should be thoroughly flushed with plain water, being careful to clean those areas where mud and dirt may accumulate. See the “Appearance and interior care” section for additional information.

Fluid leaks — Check under the vehicle for fuel, oil, water or other fluid leaks after the vehicle has been parked for a while. Water dripping from the air conditioner after use is normal. If you should notice any leaks or if gasoline fumes are evident, check for the cause and have it corrected immediately.

PERIODIC MAINTENANCE SCHEDULES

To ensure smooth, trouble-free, safe and economical driving, NISSAN provides two different maintenance schedules that may be used, depending upon the conditions in which you usually drive. These schedules contain both distance and time intervals, up to 60,000 miles (96,000 km)/48 months. For most people, the odometer reading indicates when service is needed. However, if you drive very little, your vehicle should be serviced at the regular time intervals shown in the schedule. **After 60,000 miles (96,000 km) or 48 months, continue periodic maintenance at the same mileage/time intervals.**

SCHEDULE 1

Follow Periodic Maintenance Schedule 1 if your driving habits frequently include one or more of the following driving conditions:

- **Repeated short trips of less than 5 miles (8 km).**
- **Repeated short trips of less than 10 miles (16 km) with outside temperatures remaining below freezing.**
- **Operating in hot weather in stop-and-go “rush hour” traffic.**

- **Extensive idling and/or low speed driving for long distances, such as police, taxi or door-to-door delivery use.**
- **Driving in dusty conditions.**
- **Driving on rough, muddy, or salt spread roads.**
- **Towing a trailer, using a camper or a car-top carrier.**

SCHEDULE 2

Follow Periodic Maintenance Schedule 2 if none of the driving conditions shown in Schedule 1 apply to your driving habits.

SCHEDULE 1

Abbreviations: R = Replace I = Inspect. Correct or replace if necessary. []: At the mileage intervals only

MAINTENANCE OPERATION		MAINTENANCE INTERVAL															
Perform at number of miles, kilometers or months, whichever comes first.	Miles × 1,000	3.75	7.5	11.25	15	18.75	22.5	26.25	30	33.75	37.5	41.25	45	48.75	52.5	56.25	60
	(km × 1,000)	(6)	(12)	(18)	(24)	(30)	(36)	(42)	(48)	(54)	(60)	(66)	(72)	(78)	(84)	(90)	(96)
	Months	3	6	9	12	15	18	21	24	27	30	33	36	39	42	45	48
Emission control system maintenance																	
Drive belts	See NOTE (1).																I*
Air cleaner filter	See NOTE (2).																[R]
Vapor lines																	I*
Fuel lines																	I*
Fuel filter	See NOTE (3)*.																
Engine coolant	Replace every 30,000 miles (48,000 km) or 36 months.*																
Engine oil	R	R	R	R	R	R	R	R	R	R	R	R	R	R	R	R	R
Engine oil filter (Use Nissan Premium type or equivalent.)	R	R	R	R	R	R	R	R	R	R	R	R	R	R	R	R	R
Spark plugs																	[R]
Timing belt	Replace every 105,000 miles (168,000 km).																

NOTE: (1) After 60,000 miles (96,000 km) or 48 months, inspect every 15,000 miles (24,000 km) or 12 months.
(2) If operating mainly in dusty conditions, more frequent maintenance may be required.
(3) If vehicle is operated under extremely adverse weather conditions or in areas where ambient temperatures are either extremely low or extremely high, the filters might become clogged. In such an event, replace them immediately.
 * Maintenance items and intervals with “*” are recommended by NISSAN for reliable vehicle operation. The owner need not perform such maintenance in order to maintain the emission warranty or manufacturer recall liability. Other maintenance items and intervals are required.

Abbreviations: I = Inspect. Correct or replace if necessary.

MAINTENANCE OPERATION		MAINTENANCE INTERVAL							
Perform at number of miles, kilometers or months, whichever comes first.	Miles × 1,000	7.5	15	22.5	30	37.5	45	52.5	60
	(km × 1,000)	(12)	(24)	(36)	(48)	(60)	(72)	(84)	(96)
	Months	6	12	18	24	30	36	42	48
Chassis and body maintenance									
Brake lines & cables			I		I		I		I
Brake pads, discs, drums & linings			I	I	I	I	I	I	I
Automatic transmission fluid		See NOTE (1).	I		I		I		I
Steering gear & linkage, axle & suspension parts			I	I	I	I	I	I	I
Steering linkage ball joints & front suspension ball joints			I	I	I	I	I	I	I
Exhaust system			I	I	I	I	I	I	I
Front drive shaft boots			I	I	I	I	I	I	I
Supplemental air bag system		See NOTE (2).							

NOTE: (1) If towing a trailer, using a camper or a car-top carrier, or driving on rough or muddy roads, change (not just inspect) fluid at every 30,000 miles (48,000 km) or 24 months.

(2) Inspect the supplemental air bag system 10 years after the date of manufacture as noted on the F.M.V.S.S. certification label located on the left center pillar.

SCHEDULE 2

Abbreviations: R = Replace I = Inspect. Correct or replace if necessary.

[]: At the mileage intervals only

MAINTENANCE OPERATION	MAINTENANCE INTERVAL								
	Miles × 1,000 (km × 1,000)	7.5 (12)	15 (24)	22.5 (36)	30 (48)	37.5 (60)	45 (72)	52.5 (84)	60 (96)
Perform at number of miles, kilometers or months, whichever comes first.	Months	6	12	18	24	30	36	42	48
Emission control system maintenance									
Drive belts	See NOTE (1).								I*
Air cleaner housing filter									[R]
Vapor lines									I*
Fuel lines									I*
Fuel filter	See NOTE (2)*.								
Engine coolant	Replace every 30,000 miles (48,000 km) or 36 months.*								
Engine oil		R	R	R	R	R	R	R	R
Engine oil filter (Use Nissan Premium type, or equivalent.)	See NOTE (1).								
Spark plugs									[R]
Timing belt	Replace every 105,000 miles (168,000 km).								

NOTE: (1) After 60,000 miles (96,000 km) or 48 months, inspect every 15,000 miles (24,000 km) or 12 months.

(2) If vehicle is operated under extremely adverse weather conditions or in areas where ambient temperature are either extremely low or extremely high, the filters might become clogged. In such an event, replace them immediately.

* Maintenance items and intervals with “*” are recommended by NISSAN for reliable vehicle operation. The owner need not perform such maintenance in order to maintain the emission warranty or manufacturer recall liability. Other maintenance items and intervals are required.

Abbreviations: I = Inspect. Correct or replace if necessary.

MAINTENANCE OPERATION		MAINTENANCE INTERVAL								
Perform at number of miles, kilometers or months, whichever comes first.	Miles × 1,000 (km × 1,000) Months	7.5 (12) 6	15 (24) 12	22.5 (36) 18	30 (48) 24	37.5 (60) 30	45 (72) 36	52.5 (84) 42	60 (96) 48	
Chassis and body maintenance										
Brake lines & cables			I			I		I		I
Brake pads, discs, drums & linings			I			I		I		I
Automatic transmission oil			I			I		I		I
Steering gear linkage, axle & suspension parts						I				I
Exhaust system		See NOTE (1).				I				I
Front drive shaft boots			I			I		I		I
Supplemental air bag system		See NOTE (2).								

NOTE: (1) After 60,000 miles (96,000 km) or 48 months, inspect every 15,000 miles (24,000 km) or 12 months.
(2) Inspect the supplemental air bag system 10 years after the date of manufacture as noted on the F.M.V.S.S. certification label located on the left center pillar.

EXPLANATION OF MAINTENANCE ITEMS

Additional information on the following items with “*” is found in the “Do-it-yourself operations” section.

Emission control system maintenance

Drive belts* — Check drive belts for wear, fraying or cracking and also for proper tension. Replace the drive belts if found damaged.

Air cleaner filter — Under normal driving conditions, the air cleaner filter should be replaced in accordance with the maintenance schedule. However, driving the vehicle in dusty areas may cause more rapid clogging of the element. Consequently, the element may have to be replaced more frequently.

Vapor lines — Check vapor lines and connections for failure or looseness. If leaks are found, replace them.

Fuel lines — Check the fuel hoses, piping and connections for leaks, looseness or deterioration. Replace any parts if they are damaged.

Fuel filter — If the vehicle is operated under extremely adverse weather conditions or in areas where ambient temperatures are either extremely low or extremely high, the filter might become clogged. In such an event, replace the filter immediately.

Engine coolant* — Changing engine coolant can be performed by your NISSAN dealer or procedures can be found in the Service Manual. Improper air relief after changing coolant can result in reduced heater performance and overheating.

Engine oil & oil filter* — Under normal driving conditions, the engine oil and oil filter should be replaced in accordance with the maintenance schedule. However, under severe driving conditions, they may have to be replaced more frequently.

Spark plugs* — Replace with new plugs having the correct heat range.

Timing belt — Replace the timing belt for driving the camshaft.

Chassis and body maintenance

Brake lines & cables — Check the brake lines and hoses (including brake booster

vacuum hoses, connections & check valve) and parking brake cables for proper attachment, leaks, cracks, chafing, abrasion, deterioration, etc.

Brake pads, discs, drums & linings — Check these and the other neighboring brake components for wear, deterioration and leaks. Under severe driving conditions, they may have to be inspected more frequently.

Automatic transmission fluid* — Check the fluid level and visually inspect for signs of leakage.

Under severe driving conditions, the fluid should be replaced at the specified interval.

Steering gear & linkage, axle & suspension parts, and drive shaft boots — Check for damage, looseness and leakage of oil or grease. Under severe driving conditions, more frequent inspection should be performed.

Steering linkage ball joints & front suspension ball joints — Check the ball joints for damage, looseness and grease leakage.

Exhaust system — Visually check the exhaust pipes, muffler, and hangers for proper attachment, leaks, cracks, chafing, abrasion, deterioration, etc. Under severe driving conditions, inspection should be performed more frequently.

Air bag system — Check the air bag system components for proper attachment, damage, deformities, cracks, rust, etc. Work around and on the air bag system should be done by an authorized NISSAN dealer.

9 Technical and consumer information

Capacities and recommended			
fuel/lubricants	9-2		
Engine	9-7		
Wheel/tire size.....	9-8		
Dimensions and weights	9-8		
Registering your vehicle			
in another country	9-9		
Vehicle identification.....	9-9		
		Installing the license plate.....	9-11
		Vehicle loading information	9-12
		Trailer towing.....	9-13
		Uniform tire quality grading.....	9-18
		Emission control system warranty	9-19
		Reporting safety defects (USA)	9-19
		NISSAN service/owner's manual order form	9-20



CAPACITIES AND RECOMMENDED FUEL/LUBRICANTS

The following are approximate capacities. The actual refill capacities may be a little different. When refilling, follow the procedure instructed in the “Do-it-yourself operations” section to determine the proper refill capacity.

	Capacity (Approximate)			Recommended Specifications
	US measure	Imp measure	Liter	
Fuel	20 gal	16-5/8 gal	75.7	Unleaded gasoline with an octane rating of at least 87 AKI (RON 91)(1)
Engine oil (Refill)				
With oil filter	4-1/4 qt	3-1/2 qt	4.0	API SG or SH and Energy Conserving II (2) API Certification Mark (2)
Without oil filter	3-7/8 qt	3-1/8 qt	3.6	
Cooling system				
With reservoir tank				
With rear heater	12-3/4 qt	10-5/8 qt	12.1	Anti-freeze coolant (Ethylene glycol base)
Without rear heater	11-3/8 qt	9-3/8 qt	10.7	
Reservoir	3/4 qt	5/8 qt	0.7	
Automatic transaxle fluid				Nissan matic 'D' (Continental U.S. and Alaska) or Genuine Nissan Automatic Transmission Fluid (Canada).(3)
Power steering fluid	Refill to the proper oil level according to the instructions in the “Do-it-yourself operations” section.			Type F automatic transmission fluid or equivalent
Brake fluid				Genuine NISSAN Brake Fluid(4) or equivalent DOT 3 (US FMVSS No. 116)
Multi-purpose grease	—	—	—	NLGI No. 2 (Lithium complex)
Air conditioning system refrigerant	—	—	—	HFC-134a (R-134a)(5)

(1): For further details, see “Fuel recommendation”.

(2): For further details, see “Recommended SAE engine oil viscosity”.

(3): Dexron® III/Mercon® or equivalent may also be used. Outside the Continental United States and Alaska contact a Nissan dealership for more information regarding suitable fluids, including recommended brand(s) of Dexron® III/Mercon® or Dexron® IIE/Mercon® Automatic Transmission Fluid.

(4): Available in mainland U.S.A. through your NISSAN dealer.

(5): For further details, see “Air conditioner specification label”.

FUEL RECOMMENDATION

All models are designed to operate on unleaded gasoline with an octane rating of at least 87 AKI (Anti-Knock Index) number (Research octane number 91).

CAUTION

Using a fuel other than that specified could adversely affect the emission control devices and systems, and could also affect warranty coverage.

Under no circumstances should a leaded gasoline be used, since this will damage the three way catalyst.

Reformulated gasoline

Some fuel suppliers are now producing reformulated gasolines. These gasolines are specially designed to reduce vehicle emissions. NISSAN supports efforts towards cleaner air and suggests that you use reformulated gasoline when available.

Gasoline containing oxygenates

Some fuel suppliers sell gasoline containing oxygenates such as ethanol, MTBE and methanol with or without advertising their presence. Nissan does not recommend the use of fuels of which the oxygenate content and the fuel compatibility for your NISSAN cannot be readily determined. If in doubt, ask your service station manager.

If you use oxygenate-blend gasoline, please take the following precautions as the usage of such fuels may cause vehicle performance problems and/or fuel system damage.

- **The fuel should be unleaded and have an octane rating no lower than that recommended for unleaded gasoline.**
- **If an oxygenate-blend, excepting a methanol blend, is used, it should contain no more than 10% oxygenate. (MTBE may, however, be added up to 15%.)**
- **If a methanol blend is used, it should contain no more than 5% methanol (methyl alcohol, wood alcohol). It should also contain a suitable amount of appropriate cosolvents and corro-**

sion inhibitors. If not properly formulated with appropriate cosolvents and corrosion inhibitors, such methanol blends may cause fuel system damage and/or vehicle performance problems. At this time, sufficient data is not available to ensure that all methanol blends are suitable for use in NISSAN vehicles.

If any undesirable driveability problems such as engine stalling and difficult hot-starting are experienced after using oxygenate-blend fuels, immediately change to a non-oxygenate fuel or a fuel with a low blend of MTBE.

Take care not to spill gasoline during refueling. Gasoline containing oxygenates can cause paint damage.

After market fuel additives

NISSAN does not recommend the use of any fuel additives (i.e.: fuel injector cleaner, octane booster, intake valve deposit removers, etc.) which are sold commercially. Many of these additives intended for gum, varnish or deposit removal may contain active solvents or similar ingredients that

can be harmful to the fuel system and engine.

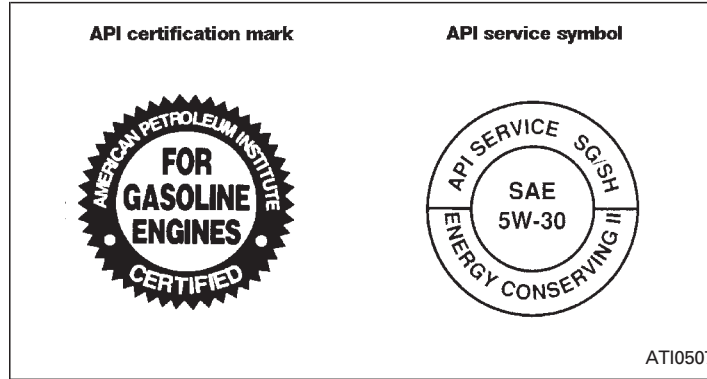
Octane rating tips

In most parts of North America, you should use unleaded gasoline with an octane rating of at least 87 AKI (Anti-Knock Index) number. However, you may use unleaded gasoline with an octane rating as low as 85 AKI (Anti-Knock Index) in high altitude areas (over 4,000 ft [1,219 m]) such as: Colorado, Montana, New Mexico, Utah, Wyoming, northeastern Nevada, southern Idaho, western South Dakota, western Nebraska, and that part of Texas which is directly south of New Mexico.

Using unleaded gasoline with an octane rating lower than stated above can cause persistent, heavy “spark knock.” (“Spark knock” is a metallic rapping noise.) If severe, this can lead to engine damage. If you detect a persistent heavy spark knock even when using gasoline of the stated octane rating, or if you hear steady spark knock while holding a steady speed on level roads, have your dealer correct the condition. Failure to correct the condition is misuse of the vehicle, for which NISSAN is not responsible.

Incorrect ignition timing results in knocking, after-run, and/or overheating. This in turn may cause excessive fuel consumption or damage to the engine. If any of the above symptoms are encountered, have your vehicle checked at a NISSAN dealer or other competent service facility.

However, now and then you may notice light spark knock for a short time while accelerating or driving up hills. This is no cause for concern, because you get the greatest fuel benefit when there is light spark knock for a short time under heavy engine load.



ENGINE OIL AND OIL FILTER RECOMMENDATION

Selecting the correct oil

It is essential to choose the correct quality and viscosity oil to ensure satisfactory engine life and performance. Nissan recommends the use of a low friction oil (energy conserving oil) in order to improve fuel economy and conserve energy. Oils which do not have the specified quality label should not be used as they could cause engine damage.

Only those engine oils with the American Petroleum Institute (API) CERTIFICATION MARK on the front of the container should be used. This type of oil supersedes the existing API SG or SH and Energy Conserving II categories.

If you cannot find engine oil with the CERTIFICATION MARK, an API SG or SH and Energy Conserving II oil with API Service Symbol may be used. An oil with a single designation SG or SH, or in combination with other categories (for example, SG/CC or SG/CD) may also be used if one with the

API CERTIFICATION MARK cannot be found.

Mineral based or synthetic type oils may be used in your NISSAN vehicle. These oils must however, meet the API quality and SAE viscosity ratings specified for your vehicle. Do not mix mineral based and synthetic type oils in the engine at the same time.

Oil additives

NISSAN does not recommend the use of oil additives. The use of an oil additive is not necessary when the proper oil type is used and maintenance intervals are followed.

Oil which may contain foreign matter or has been previously used should not be used.

Oil viscosity

The engine oil viscosity or thickness changes with temperature. Because of this, it is important to select the engine oil viscosity based on the temperatures at which the vehicle will be operated before the next oil change. The chart "Recommended SAE viscosity number" shows the recommended oil viscosities for the expected ambient temperatures. Choosing an oil viscosity other

than that recommended could cause serious engine damage.

Selecting the correct oil filter

Your new vehicle is equipped with a high-quality genuine NISSAN oil filter. When replacing, use the genuine oil filter or its equivalent for the reason described in "Change intervals".

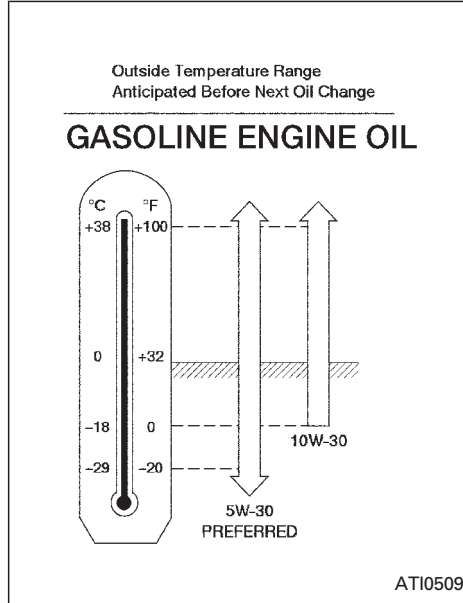
Change intervals

The oil and oil filter change intervals for your engine are based on the use of the specified quality oils and filters. Oil and filter other than the specified quality, or oil and filter change intervals longer than recommended could reduce engine life. Damage to engines caused by improper maintenance or use of incorrect oil and filter quality and/or viscosity is not covered by the new NISSAN vehicle warranties.

Your engine was filled with a high quality engine oil when it was built. You do not have to change the oil before the first recommended change interval. Oil and filter change intervals depend upon how you use your vehicle. Operation under the following conditions may require more frequent oil and filter changes:

- repeated short distance driving at cold outside temperatures,
- driving in dusty conditions,
- extensive idling,
- towing a trailer.

RECOMMENDED SAE VISCOSITY NUMBER



- **SAE 5W-30 viscosity oil is preferred for all temperatures. SAE 10W-30 viscosity oil may be used if the ambient temperature is above 0°F (-18°C).**

AIR CONDITIONING SYSTEM REFRIGERANT AND LUBRICANT RECOMMENDATIONS

The air conditioning system in this NISSAN vehicle must be charged with the refrigerant HFC-134a (R-134a) and the lubricant, NISSAN type “PAG F” or the exact equivalents.

CAUTION

Use of any other refrigerant or lubricant will cause severe damage and you will need to replace your vehicle’s entire air conditioning system.

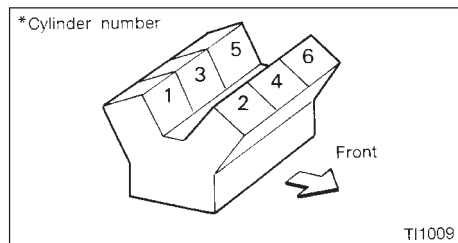
The new refrigerant HFC-134a (R-134a) in your NISSAN vehicle does not harm the earth’s ozone layer. Although this refrigerant does not affect the earth’s atmosphere, certain government regulations require the recovery and recycling of any refrigerant during automotive air conditioning system service. Your NISSAN dealer has the

trained technicians and equipment needed to recover and recycle your air conditioning system refrigerant.

Contact your NISSAN dealer when servicing your air conditioning system.

ENGINE

Model	VG30E	
Type	Gasoline, 4-cycle	
Cylinder arrangement	6-cylinder, V slanted at 60°	
Bore × Stroke	in (mm)	3.425 × 3.268 (87.0 × 83.0)
Displacement	cu in (cm ³)	180.62 (2,960)
Firing order	1,2,3,4,5,6* (See illustration below)	
Idle speed	rpm	
Ignition timing (B.T.D.C.)	degree/rpm	See the "Important Vehicle Information" label on the underside of the hood.
CO percentage at idle speed [No air]	%	
Spark plug		
Standard	BKR5EY	
Cold	BKR6EY	
Spark plug gap	in (mm)	0.031 to 0.035 (0.8 to 0.9)
Camshaft operation	Timing belt** (See note below)	
Drive belts		
[Width × Length]	in (mm)	
Generator belt	0.7008 × 33.66 (17.80 × 855)	
Air conditioner compressor	0.5606 × 46.65 (14.24 × 1,185)	
Power steering pump	0.5606 × 40.74 (14.24 × 1,035)	



**NOTE: Periodic maintenance is necessary. Refer to the appropriate periodic maintenance schedule in Chapter 8.

The spark ignition system of this vehicle meets all requirements of the Canadian Interference-Causing Equipment Regulations.

WHEEL/TIRE SIZE

Road wheel	Steel	5-1/2 - JJ × 15	
	Aluminum	6-1/2 - JJ × 15	
	Offset	in (mm)	1.77 (45)
Tire size	Conventional	P205/75R15	97 S
	Cast aluminum*	P205/75R15	97 S
		P215/70R15	97 T
Spare	T125/90D16		
	P205/75R15		97 S*
	P215/70R15		97 T*

*: Option

DIMENSIONS AND WEIGHTS

Overall length	in (mm)	189.9 (4,824)
Overall width	in (mm)	73.7 (1,871)
Overall height	in (mm)	67.6 (1,716)
Front tread	in (mm)	63.4 (1,610)
Rear tread	in (mm)	63.4 (1,610)
Wheelbase	in (mm)	112.2 (2,850)
Gross vehicle weight rating	lb (kg)	
Gross axle weight rating	See the "F.M.V.S.S. certification label" on the left center pillar.	
Front	lb (kg)	
Rear	lb (kg)	

REGISTERING YOUR VEHICLE IN ANOTHER COUNTRY

When planning to travel in another country, you should first find out if the fuel available is suitable for your vehicle's engine.

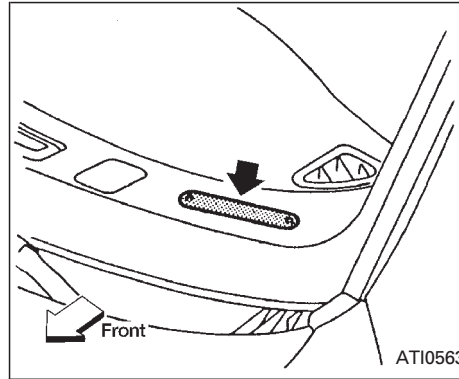
Using fuel with an octane/cetane rating that is too low may cause engine damage. All gasoline vehicles must be operated with unleaded engine gasoline. Therefore, avoid taking your vehicle to areas where appropriate fuel is not available.

When transferring the registration of your vehicle to another country, state, province or district, it may be necessary to modify the vehicle to meet local laws and regulations.

The laws and regulations for motor vehicle emission control and safety standards vary according to the country, state, province or district. Therefore, vehicle specifications may differ.

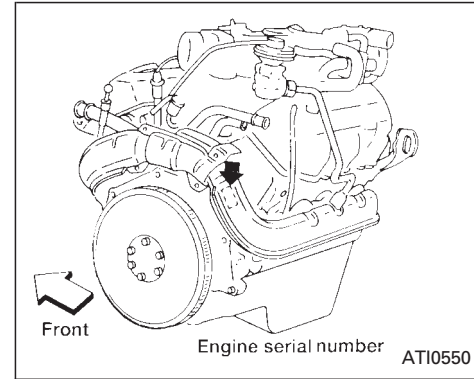
When any vehicle is to be taken into another country, state, province or district and registered, its modifications, transportation, and registration are the responsibility of the user. NISSAN is not responsible for any inconvenience that may result.

VEHICLE IDENTIFICATION



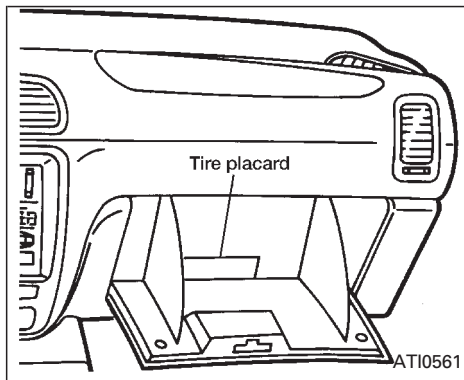
VEHICLE IDENTIFICATION NUMBER (VIN) PLATE

The vehicle identification number plate is attached to the upper portion of the dashboard on the driver's side. This number is the identification for your vehicle and is used in the vehicle registration.



ENGINE SERIAL NUMBER

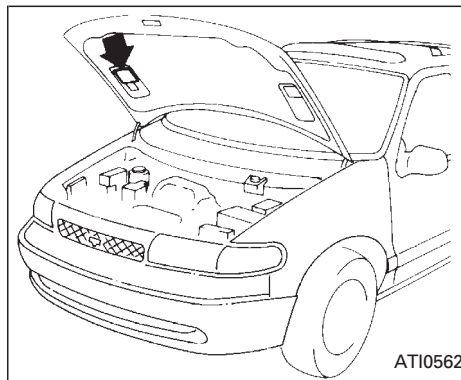
The number is stamped on the engine as shown.



TIRE PLACARD

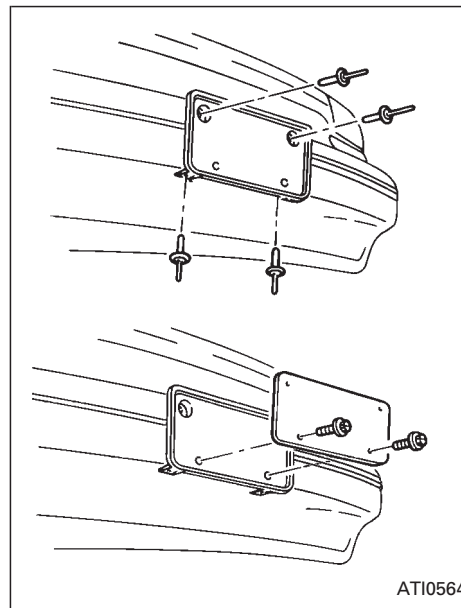
The cold tire pressure is shown on the tire placard affixed to the inside of the glove box.

AIR CONDITIONER SPECIFICATION LABEL



The air conditioner specification label is attached as shown.

INSTALLING THE LICENSE PLATE



Have your front license plate installed by your NISSAN dealer.

VEHICLE LOADING INFORMATION

WARNING

- **It is extremely dangerous to ride in a cargo area inside of a vehicle. In a collision, people riding in these areas are more likely to be seriously injured or killed.**
- **Do not allow people to ride in any area of your vehicle that is not equipped with seats and seat belts.**
- **Be sure everyone in your vehicle is in a seat and using a seat belt properly.**

Terms

It is important to familiarize yourself with the following terms before loading your vehicle:

- **Curb Weight** (actual weight of your vehicle) - vehicle weight including: standard and optional equipment, fluids, emergency tools, and spare tire assembly. This weight **does not** include passengers and cargo.
- **GVW** (Gross Vehicle Weight) - curb weight plus the combined weight of passengers and cargo.

- **GVWR** (Gross Vehicle Weight Rating) - maximum total weight (load) limit specified for the vehicle.
- **GAWR** (Gross Axle Weight Rating) - maximum weight (load) limit specified for the front or rear axle.
- **Gross combined weight** - GVW plus the total weight of the trailer and all its cargo.

Determining Vehicle Load Capacity

The load capacity of this vehicle is determined by weight, not by available cargo space. For example, a luggage rack, bike carrier, cartop carrier or similar equipment does not increase load carrying capacity of your vehicle.

To determine vehicle load capacity:

Vehicle weight can be determined by using a commercial-grade scale, found at places such as a truck stop, gravel quarry, grain elevator, or a scrap metal recycling facility.

- 1) Determine the curb weight of your vehicle.
- 2) Compare the curb weight amount to the GVWR specified for your vehicle to determine how much more weight your vehicle can carry.

- 3) After loading (cargo & passengers), reweigh your vehicle to determine if either GVWR or GAWR for your vehicle is exceeded. If GVWR is exceeded, remove cargo as necessary. If either the front or rear GAWR is exceeded, shift the load or remove cargo as necessary.

Loading Tips

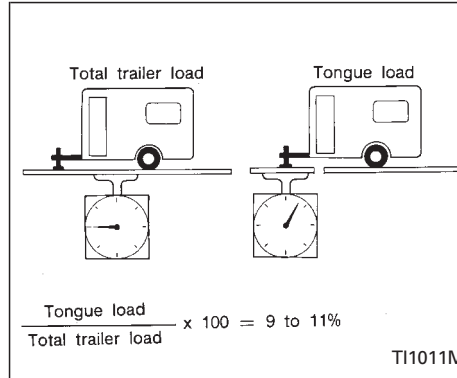
- The GVW must not exceed GVWR or GAWR specified on the FMVSS Certification Label.
- Do not load the front and rear axle to the GAWR. Doing so will exceed the GVWR.

CAUTION

- **Properly secure all cargo to help prevent it from sliding or shifting. In a sudden stop or collision, unsecured cargo could cause personal injury.**
- **Do not load your vehicle any heavier than the GVWR or the maximum front and rear GAWRs. If you do, parts on your vehicle can break, or it can change the way your vehicle handles. This could result in loss of control and cause personal injury.**

TRAILER TOWING

- **Overloading can shorten the life of your vehicle. Failures caused by overloading are not covered by your warranty.**



Your new vehicle was designed to be used primarily to carry passengers and cargo. Remember that towing a trailer places additional loads on your vehicle's engine, drive train, steering, braking and other systems.

Information on trailer towing ability and the special equipment required should be obtained from your NISSAN dealer. He can obtain a **NISSAN Towing Guide** for you.

Do not tow a trailer if your vehicle is a cargo van model.

Maximum load limits

Maximum trailer loads

Never allow the total trailer load to exceed 3,500 lbs (1,588 kg). The total trailer load equals trailer weight plus its cargo weight. Towing loads greater than 3,500 lbs (1,588 kg) or using improper towing equipment could adversely affect vehicle handling, braking and performance.

- All towing above 1,000 lbs (454 Kg) requires the use of trailer brakes.
- NISSAN recommends the use of a tandem axle trailer whenever towing above 3,000 lbs (1,361 Kg).
- A sway control device is recommended for all towing above 2,000 lbs (907 Kg). Sway control devices are not offered by NISSAN. See a professional trailer/hitch outlet for a properly designed sway control device for your trailer.

The Gross Combined Weight should not exceed 8,000 lbs (3,628 kg). The Gross Combined Weight is the total weight of the tow vehicle with all occupants, cargo and fuel tanks, PLUS the total weight of the trailer and all its cargo. This weight should

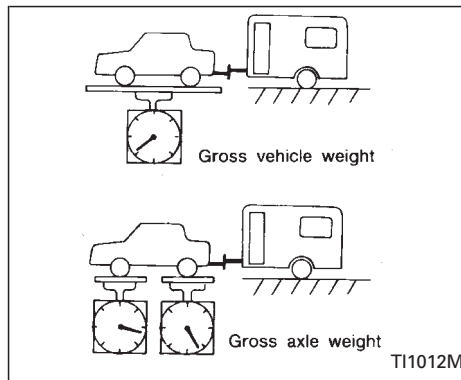
be properly distributed. For more information regarding vehicle and trailer loading, refer to The NISSAN Towing Guide, available from your Nissan dealer.

⚠ WARNING

Vehicle damage and/or personal injury resulting from improper towing procedures is not covered by NISSAN warranties. Information on trailer towing and required towing equipment should be obtained from dealers who specialize in providing trailers or other towing equipment.

Tongue load

Keep the tongue load between 9 and 11% of the total trailer load. If the tongue load becomes excessive, rearrange cargo to allow for proper tongue load.



Maximum gross vehicle weight/maximum gross axle weight

The gross vehicle weight of the towing vehicle must not exceed the gross vehicle weight rating (GVWR) shown on the F.M.V.S.S. certification label. The gross vehicle weight equals the combined weight of the unloaded vehicle, passengers, luggage, hitch, trailer tongue load and any other optional equipment. In addition, front or rear gross axle weight must not exceed the gross axle weight rating (GAWR) shown on the F.M.V.S.S. certification label.

TOWING LOAD/SPECIFICATION CHART	
UNIT: lb (kg)	
MAXIMUM TOWING LOAD	3,500 (1,588) (See below)
MAXIMUM TONGUE LOAD	350 (159)

Trailer hitch

Choose a proper hitch for your vehicle and trailer. Make sure the trailer hitch is securely attached to the vehicle to help avoid personal injury or property damage due to sway caused by crosswinds, rough road surfaces or passing trucks.

- Axle-mounted hitches should not be used.
- The hitch should not be attached to or affect the operation of the impact-absorbing bumper.
- Do not modify the vehicle exhaust system, brake system, etc. when the hitch is installed.
- To reduce the possibility of additional damage if your vehicle is struck from the rear, remove the hitch when not in use.

After the hitch is removed, seal the bolt holes to prevent exhaust fumes, water or dust from entering the passenger compartment.

- Regularly check that all hitch mounting bolts are securely mounted.

Tire pressures

- When towing a trailer, inflate the vehicle tires to the recommended cold tire pressure indicated on the tire placard (located on the inside of the glove box lid).
- Trailer tire condition, size, load rating and proper inflation pressure should be in accordance with the trailer and tire manufacturer's specifications.

Safety chain

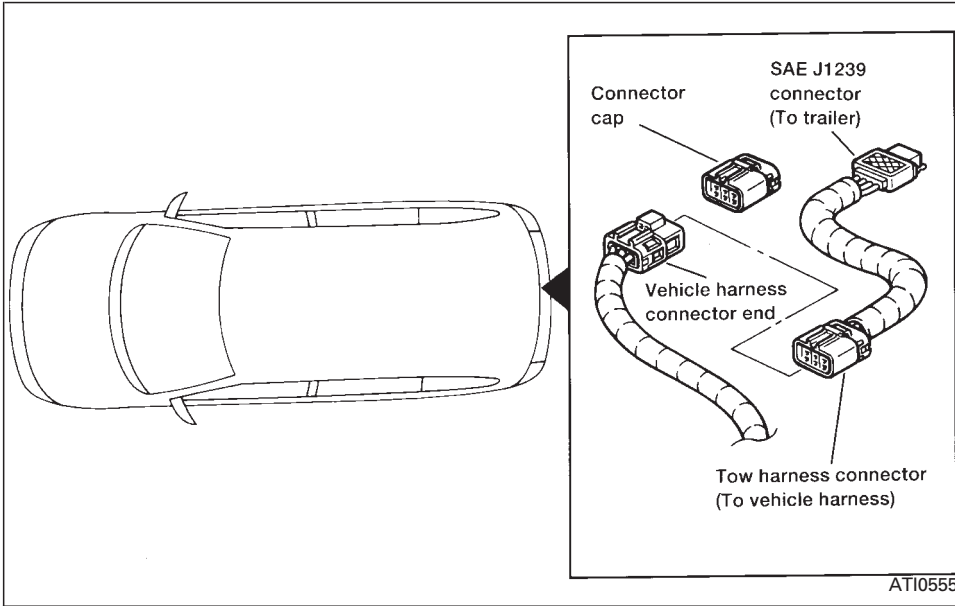
Always use a suitable chain between your vehicle and the trailer. The chain should be crossed and should be attached to the hitch, not to the vehicle bumper or axle. Be sure to leave enough slack in the chain to permit turning corners.

Trailer lights

Trailer lights should comply with Federal and/or local regulations. When wiring the

vehicle for towing, connect the stop and tail light pickup into the vehicle electrical circuit.

Class I Trailer Tow electrical wiring provides two circuits (right and left hand) to operate trailer stop/turn tail lamps. Each individual stop/turn circuit will operate only one combination stop/turn light bulb (#1157, 3157, 2357, or 3357) on the trailer. Never add more than one trailer light bulb to one circuit.



Trailer Tow Harness and Module (If so equipped)

The trailer tow module on your vehicle allows turn/stop lamp control of a trailer being towed by your NISSAN.

The trailer tow module includes:

- trailer tow module which draws power from the vehicle stop lamp fuse
- one subharness containing a SAE J1239 specified connector

To use the tow harness:

- 1) Remove the connector cap from the vehicle harness, located behind the rear bumper. Store the connector cap in vehicle glove box for reinstallation.
- 2) Connect the tow harness to the vehicle harness located behind the rear bumper.
- 3) Connect the tow harness connector (SAE J1239) to your trailer.
- 4) Confirm proper vehicle and trailer stop/turn lamp operation.
- 5) When towing is completed, disconnect the tow harness from the trailer and the vehicle. Store the tow harness in the glove box. Reinstall the connector cap to the vehicle harness.

If you need further assistance in wiring a trailer to your NISSAN, contact your NISSAN dealer.

Always confirm proper vehicle and trailer stop/turn lamp operation every time the trailer light circuits are connected for use.

Trailer brakes

If your trailer is equipped with a braking system, make sure it conforms to Federal and/or local regulations and it is properly installed.



CAUTION

Never connect a trailer brake system directly to the vehicle brake system.

Pre-towing tips

- Be certain your vehicle maintains a level position when a loaded and/or unloaded trailer is hitched. Do not drive the vehicle if it has an abnormal nose-up or nose-down condition; check for improper tongue load, overload, worn suspension or other possible causes of either condition.
- Always secure items in the trailer to prevent load shifts while driving.
- Be certain your rear view mirrors conform to all federal, state or local regulations. If not, install any mirrors required for towing before driving the vehicle.

Trailer towing tips

In order to gain skill and an understanding of the vehicle's behavior, you should practice turning, stopping and backing up in an area which is free from traffic. Steering, stability, and braking performance are somewhat different than under normal driving conditions.

- Always secure items in the trailer to prevent load shift while driving.
- Avoid abrupt starts, acceleration or stops.
- Avoid sharp turns or lane changes.
- Always drive your vehicle at a moderate speed.
- Always block the wheels on both vehicle and trailer when parking. Parking on a slope is not recommended; however, if you must do so, first block the wheels and apply the parking brake, and then move the transmission gearshift lever into the P (Park) position. If you move the shift lever to the P (Park) position before blocking the wheels and applying the parking brake, transmission damage could occur.
- When going down a hill, shift into a lower

gear and use the engine braking effect. When ascending a long grade, downshift the transmission to a lower gear and reduce speed to reduce chances of engine overloading and/or overheating.

- If the engine coolant rises to an extremely high temperature when the air conditioning system is on, turn the air conditioner off. Coolant heat can be additionally vented by opening the windows, switching the fan control dial to high and setting the temperature control dial to the WARM position.
- Trailer towing requires more fuel than normal circumstances.
- Avoid towing a trailer for the first 500 miles (800 km) of the vehicle's life.
- Have your vehicle serviced more often than at intervals specified in the recommended Maintenance Schedule.
- When making a turn, your trailer wheels will be closer to the inside of the turn than your vehicle wheels. To compensate for this, make a larger than normal turning radius during the turn.
- Crosswinds and rough roads adversely

UNIFORM TIRE QUALITY GRADING

affect vehicle/trailer handling, possibly causing vehicle sway. When being passed by larger vehicles, be prepared for possible changes in crosswinds that could affect vehicle handling. If swaying does occur, firmly grip the steering wheel, steer straight ahead, and immediately (but gradually) reduce vehicle speed. This combination helps to stabilize the vehicle. Never increase speed.

- Be careful when passing other vehicles. Passing while towing a trailer requires considerably more distance than normal passing. Remember the length of the trailer must also pass the other vehicle before you can safely change lanes.
- To maintain engine braking efficiency and electrical charging performance, do not use overdrive.
- Avoid holding the brake pedal down too long or too frequently. This could cause the brakes to overheat, resulting in reduced braking efficiency.

When towing a trailer, change fluid in the transmission more frequently.

See the Maintenance schedule.

Department of Transportation (DOT) Quality Grades: All passenger car tires must conform to Federal Safety Requirements in addition to these grades.

Treadwear

Treadwear grade is a comparative rating based on tire wear rate when tested under controlled conditions on specified government test courses. For example, a tire graded 150 would wear one and a half (1-1/2) times as well on the government course as a tire graded 100. However, relative tire performance depends on actual driving conditions, and may vary significantly from the norm, due to variations in driving habits, service practices and differences in road characteristics and climate.

Traction A, B and C

Traction grades are A (the highest), B and C. They represent a tire's ability to stop on wet pavement as measured under controlled conditions, on specified government test surfaces of asphalt and concrete. A tire marked with a C may have poor traction performance.

WARNING

The traction grade assigned to your vehicle tires is based on straight line braking traction tests and does not include cornering (turning) traction.

Temperature A, B and C

Temperature grades are A (the highest), B, and C. They represent a tire's resistance to heat build-up, and its ability to dissipate heat when tested under controlled conditions on a specified indoor laboratory test wheel. Sustained high temperature can cause tire material to degenerate, reducing tire life. Excessive temperatures can lead to sudden tire failure. Grade C corresponds to a performance level which all passenger car tires must meet under the Federal Motor Vehicle Safety Standard No. 109. Grades A and B represent higher levels of performance on laboratory test wheels than the minimum required by law.

 **WARNING**

The temperature grade for this tire is established for a tire that is properly inflated and not overloaded. Excessive speed, under inflation, or excessive loading, either separately or in combination, can cause heat build-up and possible tire failure problems.

EMISSION CONTROL SYSTEM WARRANTY

Your NISSAN is covered by the following emission warranties:

For USA

- 1) Emission Defects Warranty
- 2) Emissions Performance Warranty

For Canada

Emission Control System Warranty

Details of these warranties may be found with other vehicle warranties in your warranty information booklet that comes with your NISSAN. If you did not receive a warranty booklet, or it has become lost, you may obtain a replacement by writing to:

- Nissan Motor Corporation, in USA
Consumer Affairs Department
P.O. Box 191
Gardena, CA 90247
- Nissan Canada Inc.
P.O. Box 1709
Station "B"
Mississauga, Ontario,
L4Y 4H6

REPORTING SAFETY DEFECTS (USA)

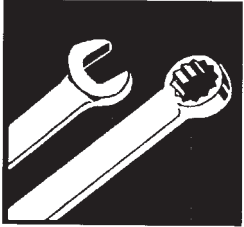
If you believe that your vehicle has a defect which could cause a crash or could cause injury or death, you should immediately inform the National Highway Traffic Safety Administration (NHTSA) in addition to notifying NISSAN.

If NHTSA receives similar complaints, it may open an investigation, and if it finds that a safety defect exists in a group of vehicles, it may order a recall and remedy campaign. However, NHTSA cannot become involved in individual problems between you, your dealer, or NISSAN.

To contact NHTSA, you may either call the Auto Safety Hotline toll-free at 1-800-424-9393 (or 366-0123 in the Washington, D.C. area) or write to: NHTSA, U.S. Department of Transportation, Washington, D.C. 20590. You can also obtain other information about motor vehicle safety from the Hotline.

You may notify NISSAN by contacting our Consumer Affairs Department, toll-free, at 1-800-NISSAN-1
In Hawaii call (808) 531-0231.

Genuine Nissan Service Manuals



GET THE INSIDE STORY

A Genuine Nissan Service Manual is the best source of service and repair information for your vehicle. Filled with wiring diagrams, illustrations and step-by-step diagnostic and adjustment procedures, this manual is the same one used by the factory trained technicians working at your Nissan dealership. Also available are Genuine NISSAN Owner's Manuals. For current pricing and availability of a Genuine NISSAN Service Manual or Genuine NISSAN Owner's Manual, contact:

In the USA:

See your NISSAN dealer or contact:

Dyment Distribution Services
20770 Westwood Dr.
Strongsville OH 44136

In a hurry? Call 1-800-247-5321 and charge your purchase to Visa/Master Card.

In Canada:

To purchase a copy of a Genuine NISSAN Service Manual or Owner's Manual please contact your nearest NISSAN Dealer. For the phone number and location of a NISSAN Dealer in your area call the Nissan Satisfaction Center at 1-800-387-0122 and a bilingual NISSAN representative will assist you.

Also available are Genuine NISSAN Service and Owner's Manuals for older Nissan models.

10 Index

A

After an accident.....	5-10
Air bag (See supplemental restraint system)	
Air bag warning light.....	2-45
Air cleaner housing filter.....	7-13
Air conditioner	
Air conditioner operation	3-5
Air conditioner service	3-6
Air conditioner specification label.....	9-11
Air conditioning system refrigerant and lubricant recommendations	9-6
Air flow charts.....	3-7
Heater and air conditioner (automatic) (If so equipped)	3-11
Heater and air conditioner (manual).....	3-3
Rear seat heater and air conditioner ...	3-14
Air conditioning system refrigerant and lubricant recommendations	9-6
Anchor point location	2-66
Antenna	
Manual.....	3-21
Power.....	3-21
Anti-lock brake system	4-13
Armrests.....	2-29
Ashtray (See cigarette lighter and ashtray)	
Audio system	
AM-FM radio with cassette player.....	3-15

Compact disc (CD) player	3-22
Autolamp switch.....	1-13
Automatic	
Automatic transmission fluid.....	7-8
Driving with an automatic transmission..	4-5

B

Battery.....	7-11
Before starting the engine	4-5
Brake	
Anti-lock brake system	4-13
Brake booster	7-17
Brake fluid	7-10, 9-2
Brake pedal	7-16
Brake wear indicators	1-9, 7-16
Parking brake check.....	7-16
Parking brake operation	4-8
Self-adjusting brakes	7-16
Break-in schedule.....	4-11
Bulb check/instrument panel	1-6
Bulb replacement.....	7-21

C

Capacities and recommended fuel/lubricants.....	9-2
Cargo net	2-13

Cassette player (See audio system)	
CB radio or car phone.....	3-26
Child restraints for infants and small children.....	2-58
Child restraint with top tether strap	2-62
Child safety sliding door lock.....	2-4
Cigarette lighter and ashtray	1-17
Cleaning exterior and interior	6-2
Clock.....	1-22
Coin tray	1-18
Cold weather driving cautions	4-15
Compact disc (CD) player	3-22
Controls	
Audio controls (rear).....	3-25
Heater and air conditioner controls	3-3
Rear seat heater and air conditioner controls	3-14
Coolant	
Capacities and recommended fuel/lubricants	9-2
Changing engine coolant.....	7-5
Checking engine coolant level	7-4
Engine coolant temperature gauge	1-4
Cornering light	1-16
Corrosion protection	6-4
Cruise control.....	4-9
Cup holder	2-31

D

Daytime running light system (Canada only)	1-13
Defogger switch	
Rear window defogger switch	1-12
Dimensions and weights.....	9-8
Door locks.....	2-2
Drive belts.....	7-12
Driving	
Cold weather driving cautions	4-15
Driving with an automatic transmission..	4-5
Precautions when driving	4-13
Precautions when starting and driving...	4-2

E

Economy - fuel.....	4-11
Emission control information label.....	9-10
Emission control system warranty.....	9-19
Engine.....	9-7
Before starting the engine	4-5
Capacities and recommended fuel/ lubricants	9-2
Changing engine coolant.....	7-5
Changing engine oil.....	7-6
Changing engine oil filter.....	7-7
Checking engine coolant level	7-4
Checking engine oil level	7-5
Engine compartment check locations	7-3
Engine coolant temperature gauge	1-4
Engine cooling system	7-4

Engine oil.....	7-5
Engine oil and oil filter recommendation...	9-4
Engine oil viscosity	9-5
Engine serial number	9-9
Starting the engine	4-8
Exhaust gas (Carbon monoxide).....	4-2

F

Five passenger seating	2-18
Five passenger seating with cargo room ..	2-18
Flashers (See hazard warning flasher switch)	
Flat tire.....	5-2
Flexible seating.....	2-33
Floor mat positioning	2-17
Floor mat positioning pins	2-20
Fluid (checking)	
Automatic transmission fluid.....	7-8
Brake fluid.....	7-10
Capacities and recommended fuel/ lubricants	9-2
Engine coolant.....	7-4
Engine oil.....	7-5
Power steering fluid.....	7-9
Window washer fluid	7-10
F.M.V.S.S. certification label	9-10
Fuel	
Capacities and recommended fuel/ lubricants	9-2
Fuel economy.....	4-11
Fuel filler lid and cap	2-15
Fuel gauge.....	1-5

Fuel recommendation.....	9-2
Fuses	7-17
Fusible links	7-18

G

Gas station information.....	10-10
Gauge	
Engine coolant temperature gauge	1-4
Fuel gauge.....	1-5
Odometer.....	1-4
Speedometer	1-4
Tachometer.....	1-4
Trip odometer	1-4
Gear selection (See shifting)	
General maintenance	8-2

H

Hazard warning flasher switch	1-16
Head restraints	2-29
Headlight control switch.....	1-12
Headlights	7-19
Heater	
Heater and air conditioner controls	3-11
Rear seat heater and air conditioner ...	3-14
Hood release	2-10

I

If your vehicle overheats	5-9
---------------------------------	-----

Ignition switch	4-4
Increasing fuel economy	4-11
Indicator lights and chimes (See warning/ indicator lights and chimes)	
Inertia fuel shut-off switch.....	5-10
Inside mirror.....	2-76
Installing the license plate	9-11
Instrument brightness control	1-16
Interior lights	1-23

J

Jump starting.....	5-7, 7-11
--------------------	-----------

K

Key.....	2-2
Keyless entry (See multi-remote control system)	

L

Labels

Air conditioner specification label.....	9-11
Emission control information label.....	9-10
Engine serial number	9-9
F.M.V.S.S. certification label	9-10
Vehicle identification number plate	9-9
Warning labels (for SRS)	2-45
License plate	
Installing the license plate	9-11

Light

Air bag warning light.....	2-45
Bulb check/instrument panel	1-6
Bulb replacement.....	7-20
Cornering light	1-16
Headlight control switch	1-12
Headlights	7-19
Interior lights	1-23
Light bulbs	7-19
Luggage compartment lights	1-23
Spotlights	1-15
Warning/indicator lights and chimes	1-6

Lock

Child safety sliding door lock	2-4
Door locks.....	2-2
Fuel filler lid and cap	2-15
Power door lock.....	2-5
Rear door lock	2-11
Luggage compartment lights	1-23
Luggage rack	2-14

M

Maintenance

General maintenance	8-2
Inside the vehicle.....	8-3
Maintenance precautions	7-2
Outside the vehicle.....	8-2
Periodic maintenance schedules.....	8-5
Seat belt maintenance.....	2-57
Under the hood and vehicle	8-4
Manual front seat adjustment.....	2-26

Manual rear windows.....	1-21
Mirror	
Inside mirror.....	2-76
Outside mirror control.....	2-75
Outside mirrors	2-76
Vanity mirror	2-76
Multi-remote control system	2-7

O

Odometer	1-4
Oil	
Capacities and recommended fuel/ lubricants	9-2
Changing engine oil.....	7-6
Changing engine oil filter.....	7-7
Checking engine oil level	7-5
Engine oil.....	7-5
Engine oil and oil filter recommendation...	9-4
Outside mirror control.....	2-75
Outside mirrors	2-76
Overdrive switch	4-7
Overheat	
If your vehicle overheats	5-9
Owner's manual order form.....	9-20

P

Parking

Parking brake check.....	7-16
Parking brake operation	4-8
Parking/parking on hills	4-12

Periodic maintenance schedules.....	8-5
Personal reading light.....	1-23
Power	
Power antenna	3-21
Power door lock.....	2-5
Power rear windows	1-21
Power steering fluid	7-9, 9-2
Power support front seat	2-27
Power window	1-19
Precautions	
Maintenance precautions	7-2
Precautions on seat belt usage.....	2-47
Precautions when driving	4-13
Precautions when starting and driving ...	4-2

Q

Quick reference (See gas station information)

R

Radio.....	3-15
AM-FM radio with cassette player.....	3-15
CB radio or car phone.....	3-26
Rear door lock	2-11
Rear power point	1-18
Rear seat heater and air conditioner.....	3-14
Rear window defogger switch	1-12
Rear window wiper and washer switches .	1-11
Refrigerant recommendation	9-6
Registering your vehicle in another country.	9-9

Remote keyless entry (See multi-remote control system)	
Reporting safety defects (USA).....	9-19

S

Safety	
Child safety sliding door lock	2-4
Reporting safety defects (USA).....	9-19
Seats	
Five passenger seating	2-18
Five passenger seating with cargo room.....	2-18
Flexible seating.....	2-33
Integrated child safety seats	2-68
Manual front seat adjustment.....	2-26
Power support front seat	2-27
Seat positions	2-21
Second row bench seat.....	2-21
Second row bucket seats	2-24
Seven passenger seating	2-17
Sliding three-passenger seat	2-39
Three-passenger bench seat in fully forward position	2-19
Three passenger bench seat in storage position	2-17
Seat belt	
Precautions on seat belt usage.....	2-47
Seat belt extenders	2-57
Seat belt maintenance.....	2-57
Seat belts.....	2-47
2-point type without retractor.....	2-56

3-point type with retractor.....	2-49
Seat positions	2-21
Seating arrangements	2-15
Seats/floor mats.....	2-15
Self-adjusting brakes	7-16
Service manual order form	9-20
Seven passenger seating.....	2-17
Shifting.....	4-6
Sliding three-passenger seat.....	2-39
Spark plug replacement.....	7-12
Speedometer	1-4
Spotlights	1-15
SRS warning label	2-45
Starting	
Before starting the engine	4-5
Jump starting.....	5-7, 7-11
Precautions when starting and driving ...	4-2
Starting the engine	4-8
Steering	
Power steering fluid.....	7-9
Tilting steering wheel.....	2-74
Storage	
Coin tray	1-18
Compact disc storage.....	1-19
Underseat storage tray.....	2-30
Sunroof	1-20
Sun shade.....	1-21
Supplemental restraint system (air bag)	2-42
Switch	
Autolamp switch	1-13
Hazard warning flasher switch	1-16

Headlight control switch	1-12
Ignition switch	4-4
Overdrive switch	4-7
Rear window defogger switch	1-12
Rear window wiper and washer switches	1-11
Turn signal switch	1-15
Windshield wiper lever and washer switch	1-10

T

Tabletop seats	2-30
Tachometer	1-4
Three-passenger bench seat	2-55
Three-passenger bench seat in fully forward position	2-19
Three-passenger bench seat in storage position	2-17
Three way catalyst	4-2
Tilting steering wheel	2-74
Timing belt	9-7
Tire	
Flat tire	5-2
Tire chains	7-26
Tire placard	9-11
Tire pressure	7-25
Tire rotation	7-27
Types of tires	7-26
Uniform tire quality grading	9-18
Wheel/tire size	9-8
Wheels and tires	7-25

Tool kit	5-2
Towing	
Tow truck towing	5-11
Towing load/specification chart	9-14
Trailer tow harness and module	9-16
Trailer towing	9-13
Transmission	
Automatic transmission fluid	7-8
Driving with an automatic transmission ..	4-5
Travel (see registering your vehicle in another country)	
Trip odometer	1-4
Turn signal switch	1-15

U

Underseat storage tray	2-30
Uniform tire quality grading	9-18

V

Vanity mirror (if so equipped)	2-76
Vehicle dimensions and weights	9-8
Vehicle identification	9-9
Vehicle identification number plate	9-9
Vehicle loading information	9-12
Vehicle recovery	5-13
Ventilators	3-2

W

Warning	
Air bag warning light	2-45
Hazard warning flasher switch	1-16
Warning/indicator lights and chimes	1-6
Warning labels (for SRS)	2-45
Weights (See dimensions and weights)	
Wheel/tire size	9-8
Wheels and tires	7-25
Window washer fluid	7-10
Windows	
Locking passenger's window	1-20
Manual rear windows	1-21
Power rear windows	1-21
Windshield wiper lever and washer switch ..	1-10
Wiper	
Rear window wiper and washer switches	1-11
Windshield wiper lever and washer switch	1-10
Wiper blades	7-14

GAS STATION INFORMATION

Recommended fuel:

Unleaded gasoline, at least 87 AKI number (RON 91).

For further details such as gasohol, see "Fuel recommendation" in the "Technical and consumer information" section.

Recommended engine oil:

- API SG or SH and Energy Conserving II
- API Certification Mark
- SAE 5W-30 viscosity oil is preferred for all ambient temperatures

See "Engine oil and oil filter recommendation" in the "Technical and consumer information" section.

Cold tire pressure:

See tire placard affixed to the glove compartment lid.

Recommended new vehicle break-in procedure:

During the first 1,000 miles (1,600 km) of vehicle use, follow the recommendations outlined in the "BREAK-IN SCHEDULE" information found in the "Starting and Driving" section of this Owner's Manual. Follow these recommendations for the future reliability and economy of your new vehicle. Failure to follow these recommendations may result in vehicle damage or shortened engine life.

QUICK REFERENCE

