

UNIVERSAL VOICE COIL BI-DIRECTIONAL CABINET SPEAKER (V-5330105)

The Universal Bi-directional Voice Coil Cabinet Speaker is a 1/4 watt speaker.
The Universal Bi-directional Voice Coil Cabinet Speaker can be used as a wall, ceiling or corridor speaker.

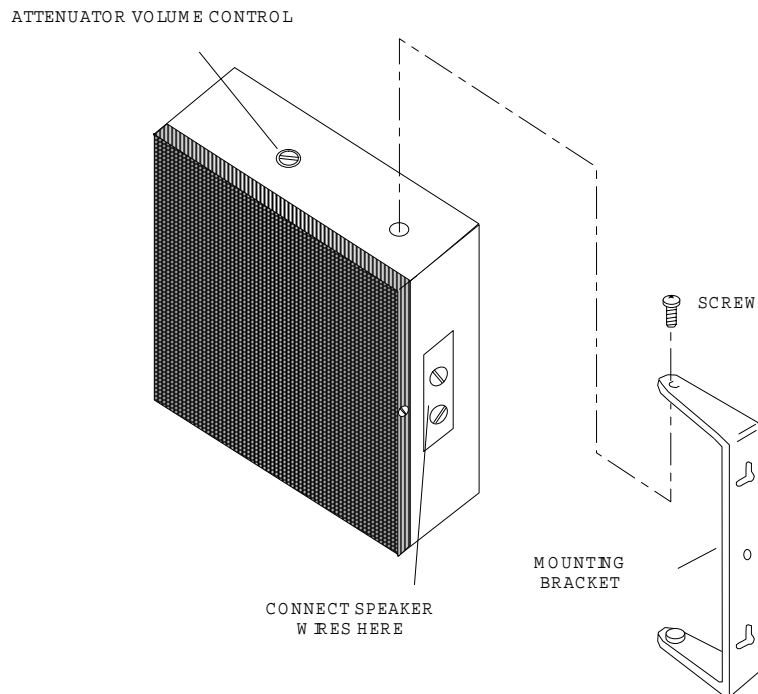
Dimensions/Weight

- 10.5"SQ x 4.0"D (26.7cm x 10.2cm)
- 7.0 lbs. (3.2kg)

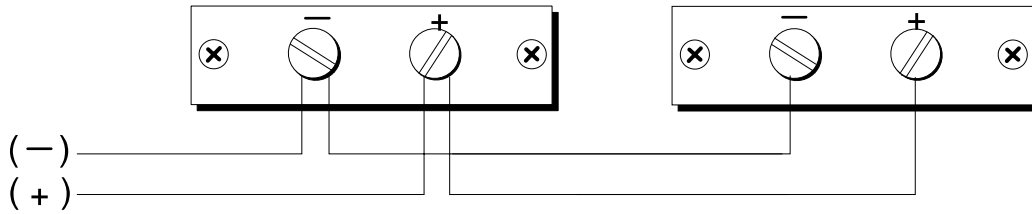
Mounting

The Universal Cabinet Speaker should be mounted indoors on a suitable flat surface, such as a wall or ceiling, using the bracket provided.

- 1 Use the bracket as a template and mark a screw location in the center of each keyhole slot.
- 2 Install screws in the locations marked. Use anchors if necessary to provide a solid mounting (screws and anchors are provided). Leave enough room so the bracket can be slipped over the screw heads.



3 Maintain proper speaker phasing. Each conductor in the speaker wire must be connected to the same terminal on each speaker, as shown below.



TECHNICAL ASSISTANCE

When calling, have a VOM and a test set and call from the job site. Call (540) 427-3900 and ask for PagePac Technical Support, or call (540) 427-6000 for Valcom 24-hour Automated Support or visit our websites at <http://www.pagepac.com> and www.valcom.com.

Should repairs be necessary, attach a tag to the unit clearly stating company name, address, phone number, contact person, and the nature of the problem. Send the unit to:

Valcom, Inc.
PagePac® Repair Dept.
5614 Hollins Road
Roanoke, VA 24019-5056