

V-1073 DOOR PLATE SPEAKER ASSEMBLY

INTRODUCTION

These instructions contain the specifications and information necessary to install, operate and maintain the V-1073 Vandal Proof Door Plate Speaker Assembly.

SPECIFICATIONS

Purpose

- Used to provide handsfree talkback from an outside door or entryway location.
- Equipped with a pushbutton switch for connection to customer provided signaling equipment.

Applications

- Any talkback control unit with a 45 Ohm output
- All Valcom handsfree talkback control units

Nominal Specifications

- Faceplate constructed from 11AWG steel
- Heavy duty steel pushbutton
- Internal louvered speaker guard
- 45 Ohm input impedance
- Silver-plated pushbutton switch contacts
- Mounts in a 2-gang 4" x 4" electrical box
- Four (4) one-way stainless steel screws included

Dimensions/Weight

- 4.5"H x 4.5"W x 1.75"D
(11.43cm H x 11.43cm W x 4.45cm D)
- 1.5 lbs. (0.68 kg)

INSTALLATION

Cabling

- For proper operation, distribution cable should be unshielded twisted pair.
- Limit cable runs to talkback speakers to less than 800 feet if using 24AWG cable.



Connections

- Connect tip and ring from page control unit speaker output to speaker connections on the unit.

CAUTION: When installing the V-1073 Vandal Proof Speaker, double check connections and test assembly before mounting. Once mounted, the screws cannot be easily removed.

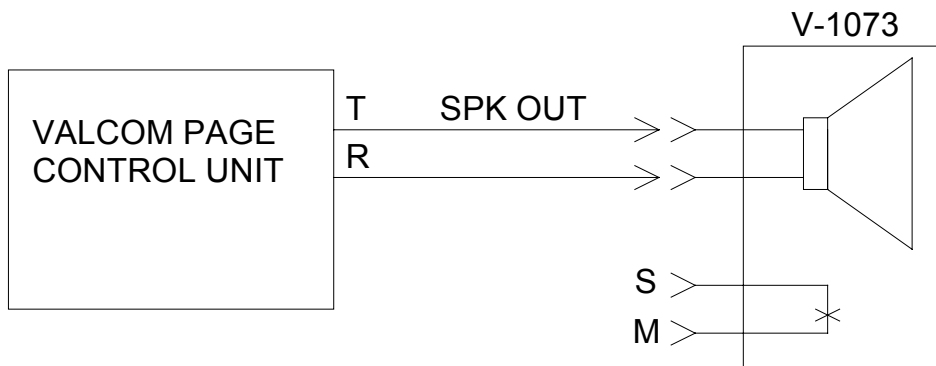
TECHNICAL ASSISTANCE

When trouble is reported, make certain there are no broken connections leading to the unit.

Assistance in troubleshooting is available from the factory. When calling, have a VOM available and call from the job site. Call (540) 563-2000 and press 1 for Technical Support or visit our website at <http://www.valcom.com>.

Valcom equipment is not field repairable. Valcom, Inc. maintains service facilities in Roanoke, VA. Should repairs be necessary, attach a tag to the unit clearly stating your company name, address, phone number, contact person, and the nature of the problem. Send the unit to:

**Valcom, Inc.
Repair and Return Dept.
5614 Hollins Road
Roanoke, VA 24019-5056**



CONNECTIONS TO THE V-1073

TROUBLESHOOTING CHART

PROBLEMS	PROBABLE CAUSES AND CORRECTIONS
No Sound in Page Mode	<ol style="list-style-type: none"> 1. Check tip and ring for audio at speaker. 2. Check tip and ring at control unit.
Low Sound in Page Mode	<ol style="list-style-type: none"> 1. Check volume controls at page control.
Poor Listening in Talkback Mode	<ol style="list-style-type: none"> 1. Check talkback volume controls at page control. Set control at minimum suitable listening level.

VALCOM LIMITED WARRANTY

Valcom, Inc. warrants its products to be free from defects in materials and workmanship under conditions of normal use and service for a period of one year from the date of shipment. The obligation under this warranty shall be limited to the replacement, repair or refund of any such defective device within the warranty period, provided that:

1. inspection by Valcom, Inc. indicates the validity of the claim;
2. the defect is not the result of damage, misuse, or negligence after the original shipment;
3. the product has not been altered in any way or repaired by others and that factory sealed units are unopened (a service charge plus parts and labor will be applied to units defaced or physically damaged);
4. freight charges for the return of products to Valcom are prepaid;
5. all units 'out of warranty' are subject to a service charge. The service charge will cover minor repairs (major repairs will be subject to additional charges for parts and labor).

This warranty is in lieu of and excludes all other warranties, expressed or implied and in no event shall Valcom, Inc. be liable for any anticipated profits, consequential damages, loss of time or other losses incurred by the buyer in connection with the purchase, operation or use of the product.

This warranty specifically excludes damage incurred in shipment. In the event a product is received in damaged condition, the carrier should be notified immediately. Claims for such damage should be filed with the carrier involved in accordance with the F.O.B. point.

Headquarters:
 Valcom, Inc.
 5614 Hollins Rd
 Roanoke, VA 24019-5056
 Phone: (540) 563-2000
 FAX: (540) 362-9800

In Canada:
 CMX Corporation
 35 Van Kirk Drive #11 and 12
 Brampton, Ontario L7A 1A5
 Phone: (905) 456-1072
 FAX: (905) 456-2269