

V-1118 ALL CALL UNIT

INTRODUCTION

The V-1118 All Call Unit is a compact, self-contained unit designed to be used in conjunction with the V-119RTVA and V-119RTHF intercom units to provide an all call feature.

This equipment has received FCC type KX registration, designed to be used with FCC registered Key Telephone Systems. In accordance with FCC Rules with applicable tariffs, this Paging unit may be installed with the authorization of the host system. Installations may be made by Valcom, Inc., an authorized agent of the same, equipment manufacturers, telephone companies, registered telephone refurbishers, and those qualified for installation of FCC registered systems under FCC Rules Section 68.215.

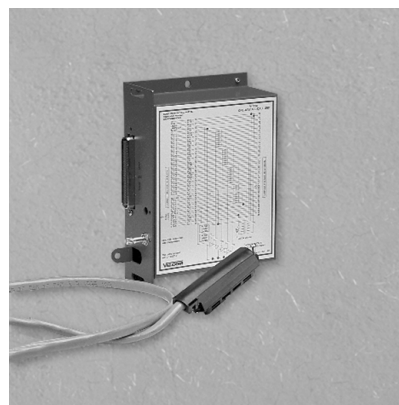
The FCC Registration Number, BAFUSA-69358-KX-N, will be listed in the affidavits filed with the telephone company; it will also be recorded in the system log kept by installation and maintenance personnel. The local telephone company is to be notified of the FCC Registration Number when this Paging Unit is installed.

NOMINAL SPECIFICATIONS

Power to Speakers:	400 mW
Current at 24Vdc:	500mA during operation
Temperature range:	0 to 50 C
Dimensions:	7.13" H x 5.75" W x 2.13" D (18.11cm H x 14.61cm W x 5.41cm D)

INSTALLATION

Mount the V-1118 unit within easy access distance of the intercom unit being used (cable is 30" length). Remove fuses or turn off power source before connecting or disconnecting any cables or leads. Remove connector from existing ICM unit and connect to plug on all call unit marked speaker. Connect one end of the 22 foot connectorized cable to plug of all call unit marked ICM and the other end to plug on existing ICM unit (See Figure 1).



If any stations are to be excluded, refer to Figure 2. Verify all connections before restoring power to system.

OPERATION

When calling party dials 29, the intercom switching network closes contacts for station 29. Ground, present at connector pins 29-46 and 50 of the V-1118, supplies current through the intercom which returns to pin 22 of the V-1118. The current into pin 22 reaches an RC network. After a delay of approximately one second, all relays activate. The relays provide an audio path for the calling party. The one second delay essentially deletes the alert tone from the V-119 on all call. Strapping pins 48 and 47 together on the 66 block inhibits the one second delay and allows alert tone over the speakers during all call.

TECHNICAL ASSISTANCE

If the all call feature does not work, verify plug connections. If connections are correct, verify ICM unit is operating properly by removing plug from the speaker side of the V-1118 and connecting to the ICM unit. If the ICM unit operates properly, reverse plugs on the V-1118.

Assistance in troubleshooting is available from the factory. When calling, you should have a VOM and a test set available and be calling from the job site. Call (540) 427-3900 and ask for Technical Support, or (540) 427-6000 for Valcom 24-hour Automated Support or visit our website at <http://www.valcom.com>.

Valcom equipment is not field repairable. Valcom, Inc. maintains service facilities in Roanoke, VA. Should repairs be necessary, attach a tag to the unit clearly stating your company name, address, phone number, contact person, and the nature of the problem. Send the unit to:

**Valcom, Inc.
Repair and Return Dept.
5614 Hollins Road
Roanoke, VA 24019-5056**

VALCOM LIMITED WARRANTY

Valcom, Inc. warrants its products to be free from defects in materials and workmanship under conditions of normal use and service for a period of one year from the date of shipment. The obligation under this warranty shall be limited to the replacement, repair or refund of any such defective device within the warranty period, provided that:

1. inspection by Valcom, Inc. indicates the validity of the claim,
2. the defect is not the result of damage, misuse, or negligence after the original shipment.
3. the product has not been altered in any way or repaired by others and that factory sealed units are unopened (A service charge plus parts and labor will be applied to units defaced or physically damaged),
4. freight charges for the return of products to Valcom are prepaid,
5. all units 'out of warranty' are subject to a service charge. The service charge will cover minor repairs (Major repairs will be subject to additional charges for parts and labor).

This warranty is in lieu of and excludes all other warranties, expressed or implied, and in no event shall Valcom, Inc. be liable for any anticipated profits, consequential damages, loss of time or other losses incurred by the buyer in connection with the purchase, operation, or use of the product.

This warranty specifically excludes damage incurred in shipment. In the event a product is received in damaged condition, the carrier should be notified immediately. Claims for such damage should be filed with the carrier involved in accordance with the F.O.B. point.

Headquarters:
Valcom, Inc.
1111 Industry Avenue
Roanoke, VA 24013
Phone: (540) 427-3900
FAX: (540) 427-3517

In Canada
CMX Corporation
35 Van Kirk Drive #11 and 12
Brampton, Ontario L7A1A5
Phone: (905) 456-1072
FAX: (905) 456-2269

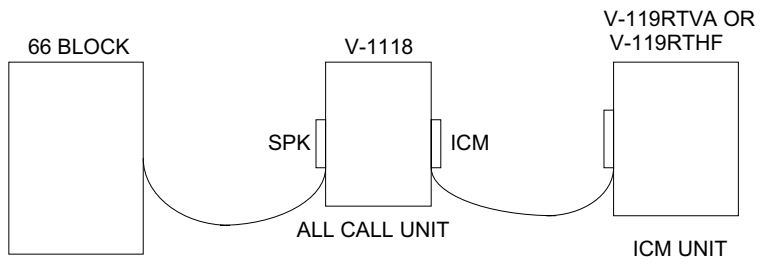


FIGURE 1 - ALL CALL ARRANGEMENT

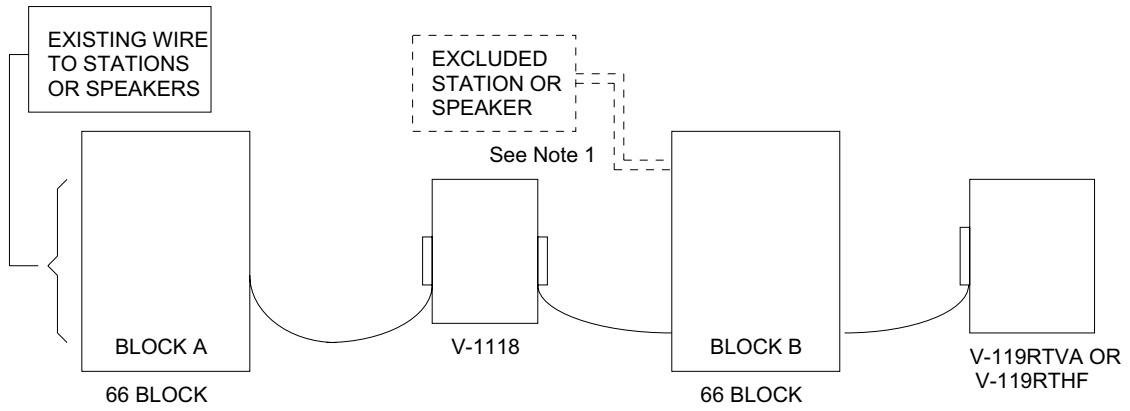
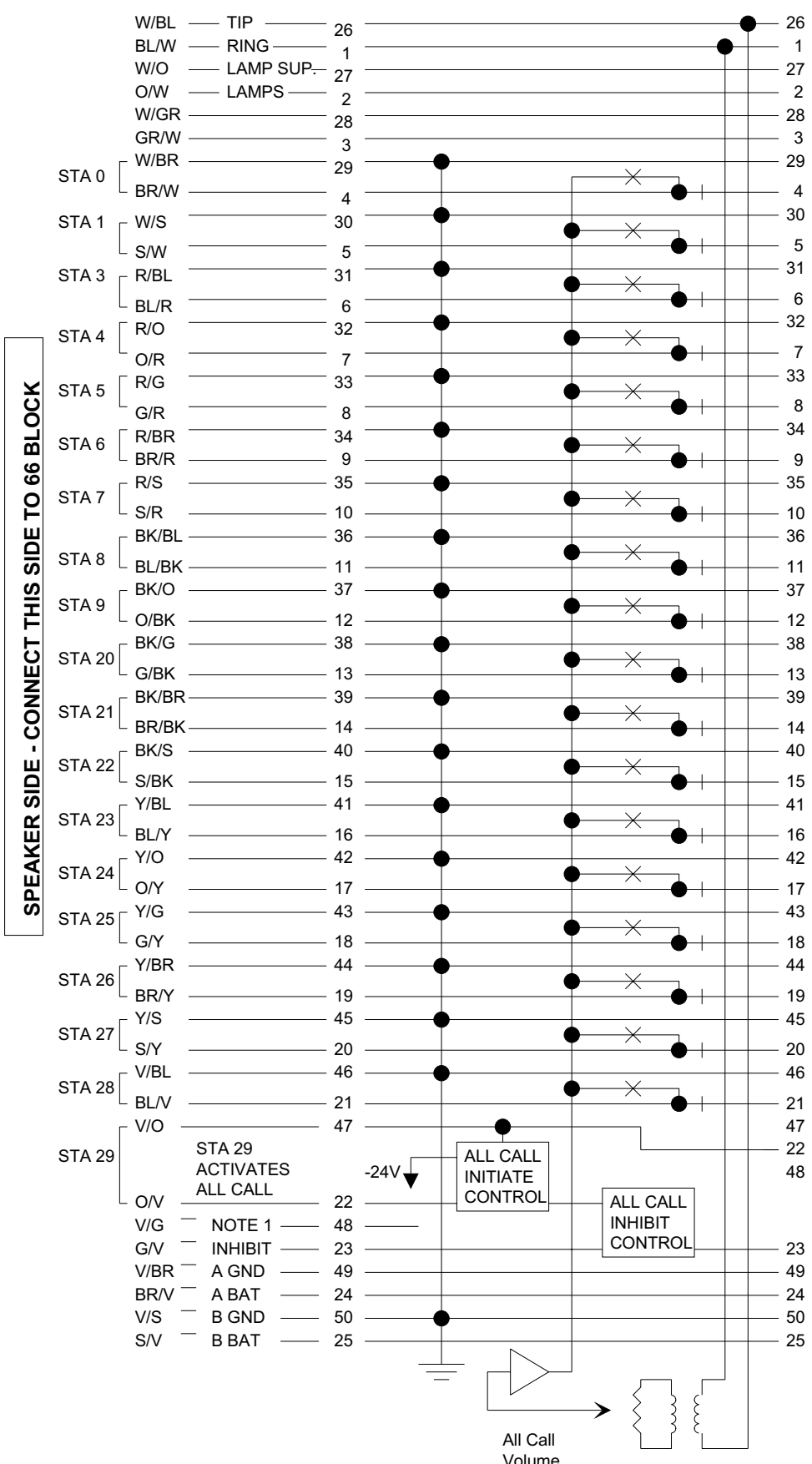


FIGURE 2 - ALL CALL WITH EXCLUDED STATION

NOTE 1: Excluded stations or speakers are to be connected directly to Block B.



- NOTES:
1. Strapping pin 48 to 47 on speaker side eliminates one second delay normally associated with All Call initiate.
 2. Connection to ICM is made via cable furnished.
 3. To exclude specific stations from all call, see instructions for connecting arrangement.

SIMPLIFIED SCHEMATIC DRAWING