

Desktop Stand Installation Guide

Model No. **VL-GT001A**

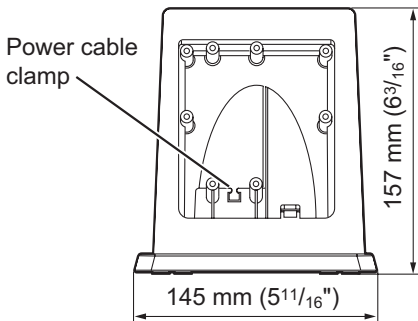
How to install the desktop stand

Important:

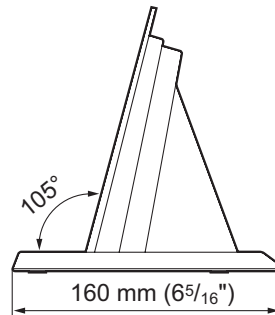
- This unit is connected to the power cord and wires, therefore do not change the installation position frequently. This could cause the power cord and wires to disconnect.

Overview

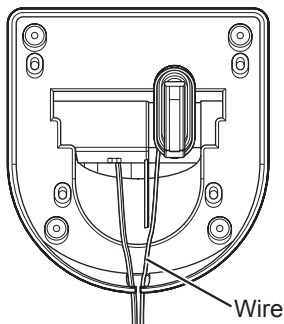
Front



Side

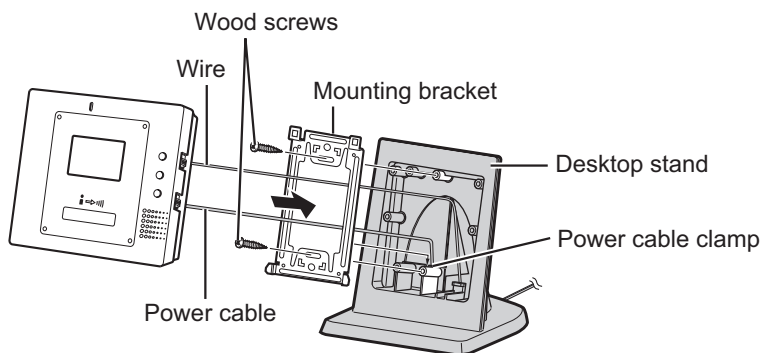


Bottom



Wrap the excess wire as shown.

Installation



- 1 Install the mounting bracket of the monitor station using the wood screws (4 mm × 16 mm, 3/16" × 5/8") to the holes.
 - Remove the mounting bracket and wood screws from the rear of the monitor station beforehand.
- 2 Run the wires from the door station through the unit, then to the monitor station.
- 3 Run the power cable through the unit and the power cable clamp.
- 4 Mount the monitor station to the mounting bracket, and push down until it is secure.

Technical data about this product

Dimensions:	Approximately height 157 mm × width 145 mm × depth 160 mm (6 ³ / ₁₆ " × 5 ¹¹ / ₁₆ " × 6 ⁵ / ₁₆ ")
Mass (Weight):	Approximately 180 g (0.39 lb.)
Installation method:	Desktop type
External material:	ABS resin