

CAUTION

Ammunition reloading can be dangerous if done improperly and should not be attempted by persons not willing and able to read and follow instructions exactly. Children should not be permitted to reload ammunition without strict parental supervision. Always wear safety glasses when reloading and shooting. Ammunition loaded with these tools and data should only be used in modern guns in good condition. We do not accept responsibility for ammunition loaded with these tools or data as we have no control over the manufacture and storage of components or the loading procedures and techniques. Primers and gun powders, like gasoline and matches, can be dangerous if improperly handled or misused.

IT IS YOUR RESPONSIBILITY TO ENSURE THE SAFETY OF YOUR LOADS.

Listed below are some of facts that will help keep you out of trouble. Some are obvious, but are worth repeating.

- ❑ Empty the hopper when not in use. Always return the unused powder to the original container for storage. With the Lee Turret Press, simply remove the entire turret and pour the powder from the hopper.
- ❑ To prevent double charges, be sure to cycle the press only once. If in doubt, empty the case and do it again. A double charge is almost always a sufficient overload to blow up the gun and possibly injure the shooter.
- ❑ Do not use for black powder. Black powder is an explosive.
- ❑ Do not smoke or handle powder near an open flame.
- ❑ Check to be sure the correct cavity is in place.
- ❑ Check to be sure the correct powder is being used for the bullet weight and cartridge selected.
- ❑ Check to be sure all the powder has cleared the drop tube.

THE FOLLOWING ARE FACTORS THAT WILL INCREASE PRESSURES. SOME WILL BE DANGEROUS.

- ❑ Do not use more powder than recommended.
- ❑ Do not use a heavier bullet than recommended.
- ❑ Do not seat the bullet deeper than normal.
- ❑ Do not use magnum primers unless using a slow burning ball powder.
- ❑ Greatly oversize bullets, excessively hard bullets or cases that are too long will cause higher pressures.
- ❑ High temperatures or cartridges that were stored in a hot car or trunk will produce higher pressures.

PARTS LIST

Body with Drop Tube.....	\$15.00
Hopper with Cover.....	2.00
Actuator.....	5.00
Lever.....	2.00
Spring.....	.50
Lever Bushing and Screw.....	1.00
Charge Disk (Set of 4).....	15.00
Charge Disk, each.....	.500
Expander Die, complete.....	11.98

Specify caliber

GUARANTEE

Lee Reloading Products are guaranteed not to wear out or break from normal use for two full years, or they will be repaired or replaced at no charge if returned to the factory. Any Lee product of current manufacture, regardless of age or condition, will be reconditioned to new, including a new guarantee, if returned to the factory with payment equal to half the current retail price.

LEE

AUTO-DISK POWDER MEASURE

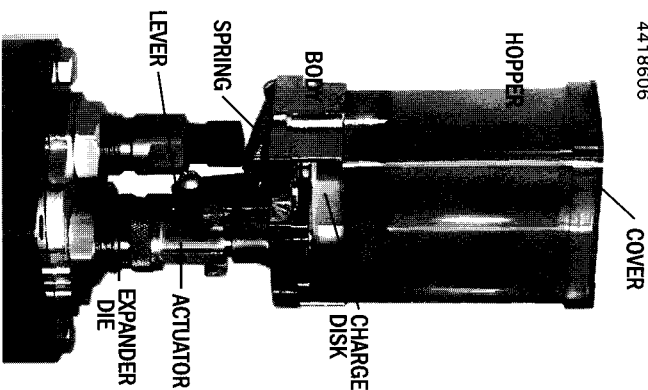
COMPLETE INSTRUCTIONS

The Lee Auto-Disk Powder Measure automatically dispenses an exact charge that is more uniform than any other powder measure. The case itself actuates the measure while the neck is being flared. The powder measure is actuated during the presses' greatest mechanical advantage. This ensures a smooth, even action of the measure. A built-in powder baffle and charge disks precisely molded from glass-reinforced engineering grade plastic, all contribute to the previously unattainable uniformity of charges.

ASSEMBLY Remove the 3/4" hex powder funnel adapter from the powder through expander die, and screw the Auto-Disk Powder Measure in its place. Be sure to replace the "O" ring on the threaded actuator. Screw the assembly into the reloading press until it just touches the shell holder. If this produces excessive flare—back out the assembly until it is to your liking.

When adjusted to best flare and the measure is not in a suitable position, it can be detached from the actuator and turned 180 degrees. To do this, remove the screw, spring and lever. Re-assemble when correctly positioned.

Patent No.
4418606



CHANGING DISKS

1. Remove one screw from the hopper and swing the hopper aside.
2. Install disk with the proper cavity number directly above the lever. When re-installing the hopper screw, do not overtighten.

CAUTION Be sure you have the correct cavity for the powder, bullet and cartridge selected. The wrong one might give a dangerous charge that could damage the gun and seriously injure the shooter.

WARNING Exercise extreme caution to ensure you do not cycle the measure more than once on each case. If in doubt, remove the case and empty the powder into the hopper. Frequently look through the drop tube to confirm all powder has cleared.



AD2302

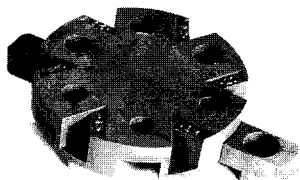
LEE

LEE PRECISION, INC.
4275 Highway U
Hartford Wisconsin 53027

PRINTED IN U.S.A.

MICRO DISK

Accurately measures small charges below the range of the standard Auto-Disk Powder Measure. Perfect for light target loads and small capacity cases. Six cavities range from 1.1 to 2.5 grains of Bullseye. Proportional amounts of other powders.



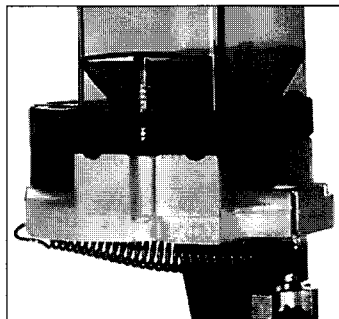
90302 MICRO DISK AND SPACER

DOUBLE DISK KIT

Stack two disks to not only double the capacity, but enables adjustment as fine as .1 to .2 grain. Over 13,000 loads easily calculated from the expanded selection chart on rear. Kit includes set of 4 extra disks, 2 hopper risers and screws.

INSTRUCTIONS FOR INSTALLATION OF THE DOUBLE DISK KIT

1. Install the spacers between hopper and casting as shown above, using the longer screws provided.
2. Now you can install two (2) disks at a time. If using different size cavities, **always be certain the smaller cavity is on the top next to the hopper.** Otherwise, the smaller hole will have a ledge to retain some of the powder.



90195 DOUBLE DISK KIT

CAUTION Never use cavities with great difference in size as some of the powder could leak past the cavity into the center opening of the disk. This will cause an overcharge. The safe combinations are listed on the schedule.

3. Check and double check that you have the correct cavities in place.
4. Weigh your charge to be sure.



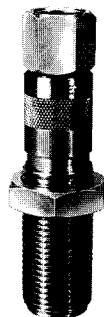
90681 SAFETY POWDER SCALE

LEE SAFETY POWDER SCALE

Magnetically Damped and Approach-To-Weight

Safety and accuracy are the most important features. Easy to read and set. Calibrated with weights traceable to the UNITED STATES BUREAU OF STANDARDS. Even if you already own a combination bullet and powder scale, you will want a Lee Safety Powder Scale.

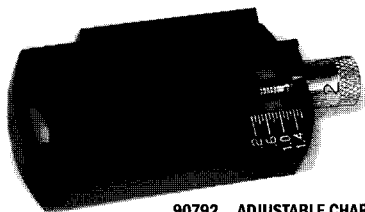
RIFLE CHARGING DIE



Use the Auto Disk Powder Measure to load your rifle cartridges with this Rifle Charging Die. Fits all calibers from the 22 Hornet through the 308 Winchester.

Exclusive, tapered drop tube speeds even large charges through the .22 caliber orifice, without bridging.

90194 RIFLE CHARGING DIE



90792 ADJUSTABLE CHARGE BAR

MICROMETER ADJUSTABLE CHARGE BAR

A superior and affordable adjustable charge bar. Infinitely adjustable between .28cc and 1.6cc. Great for load development or precise charges. Lifetime nylon with solid brass, zero backlash, micrometer.

