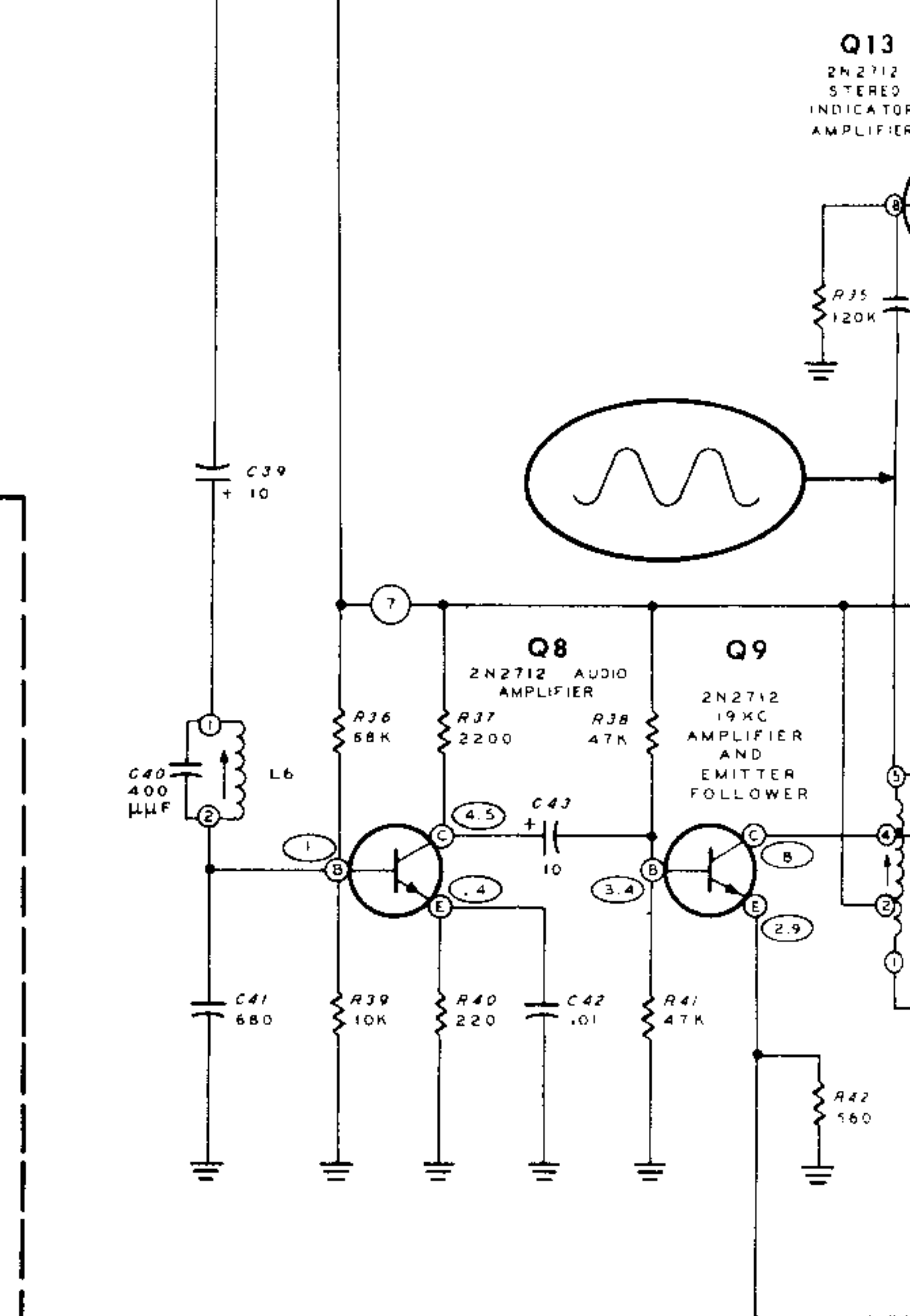
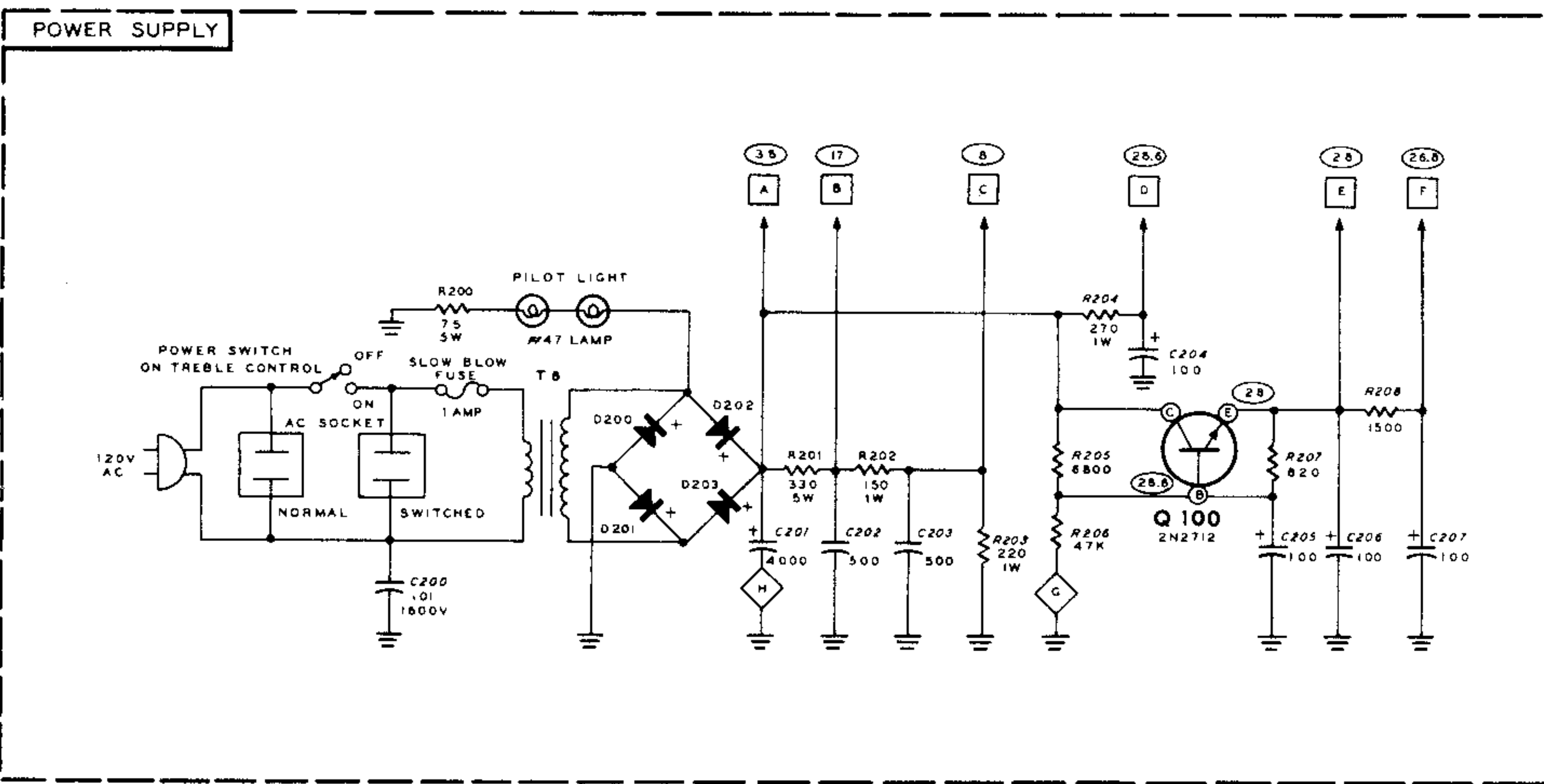
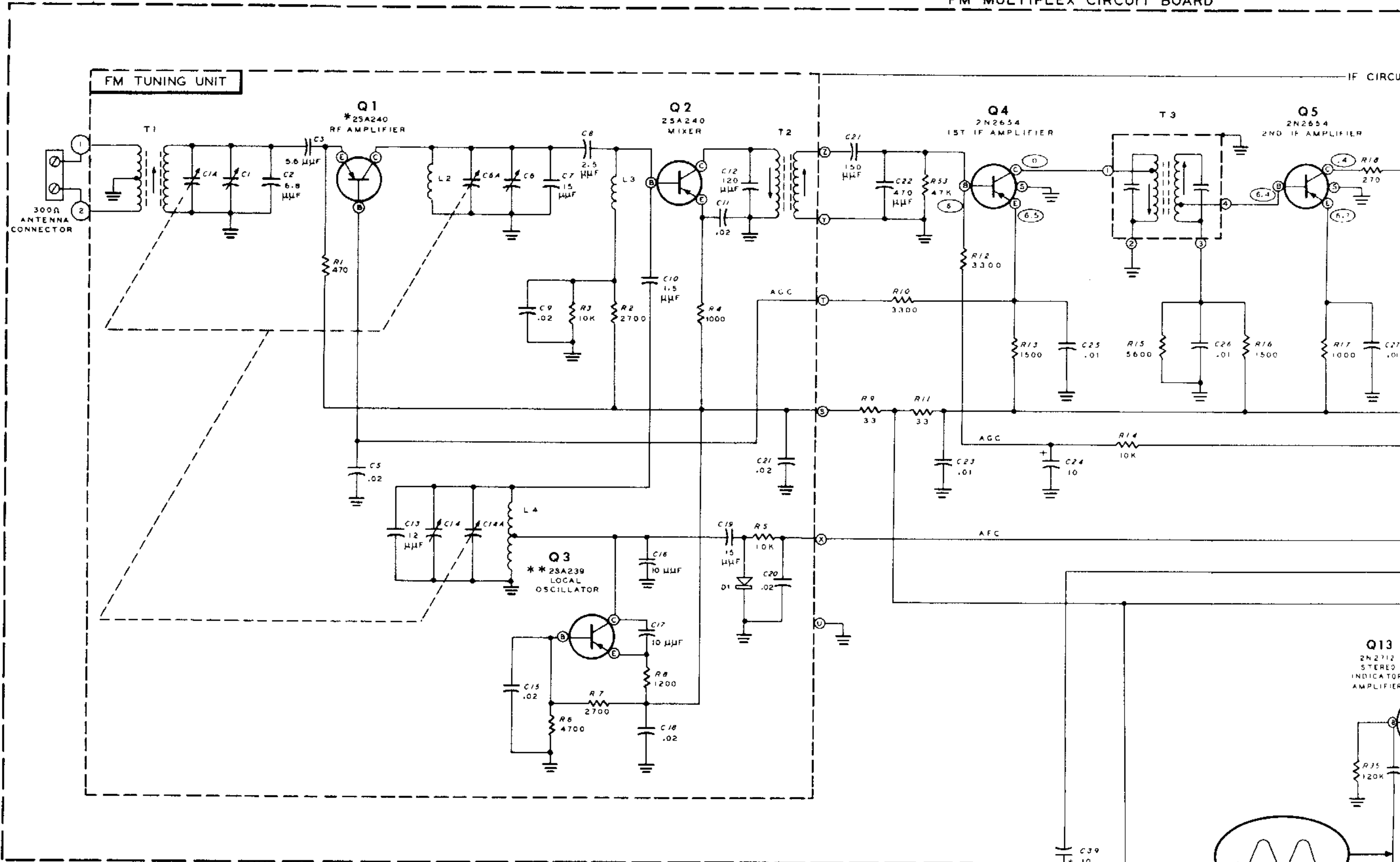
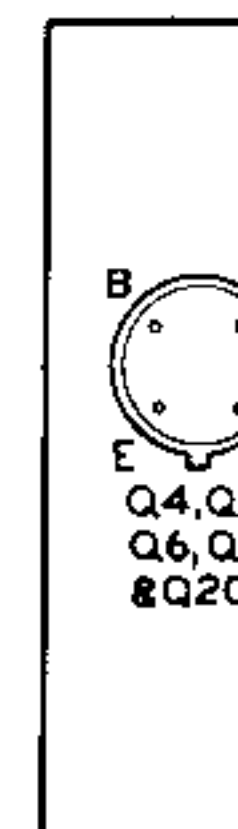
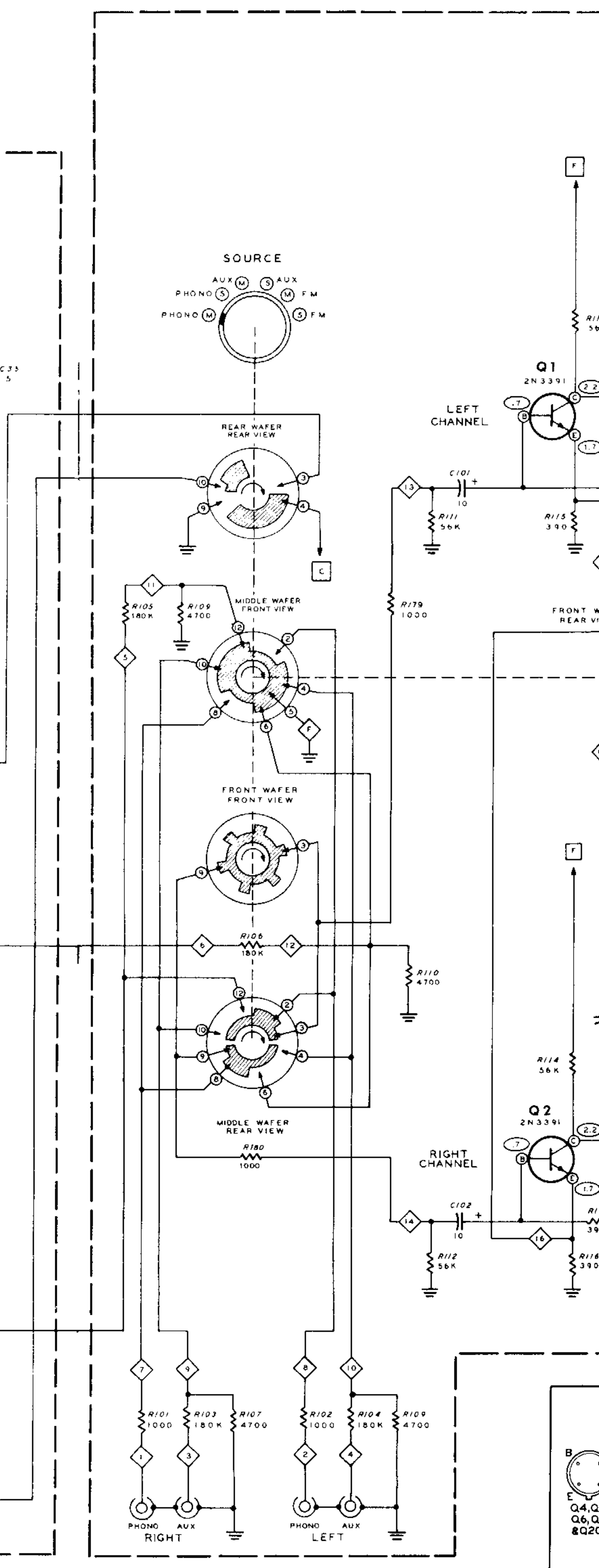
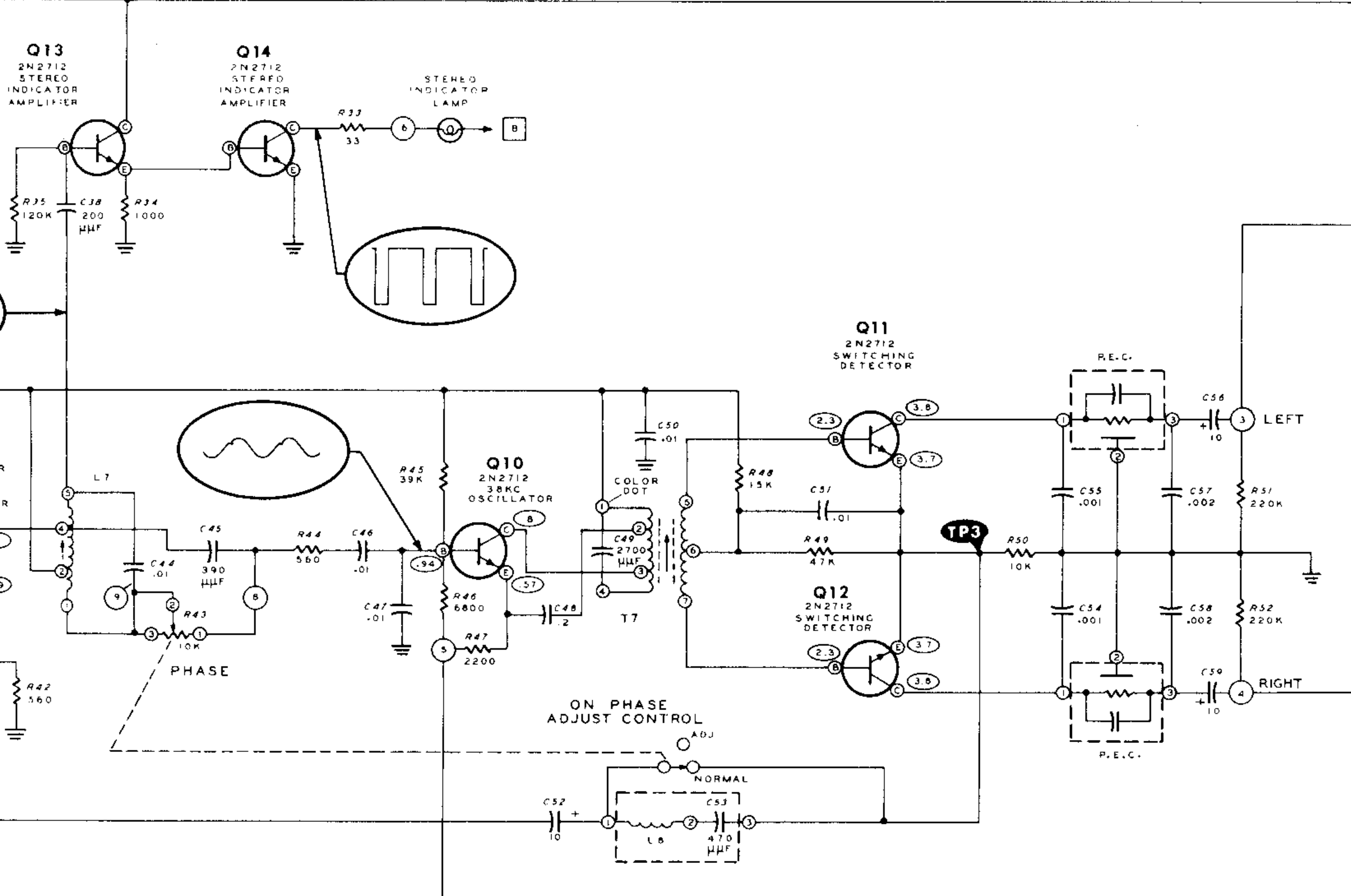
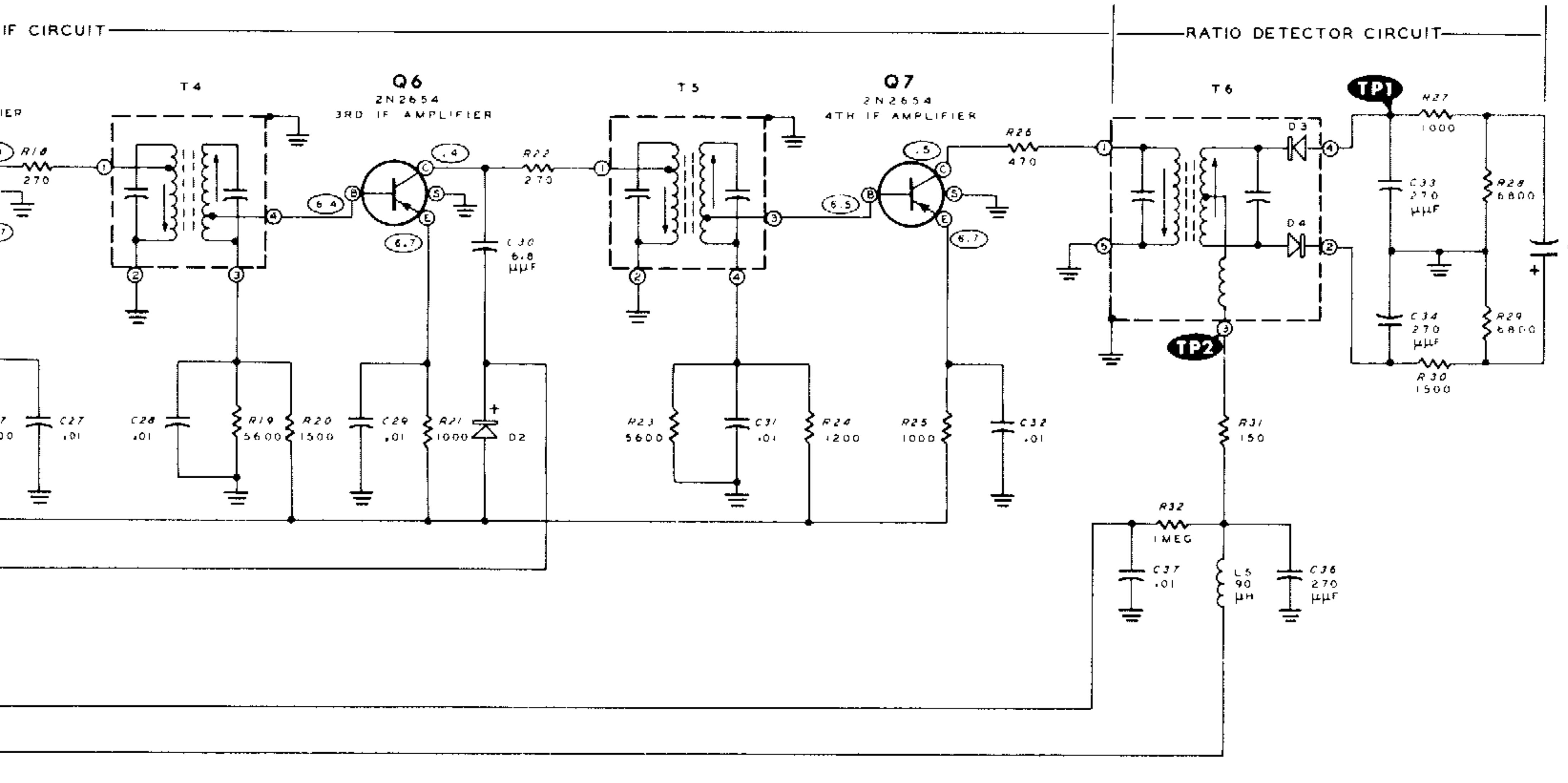
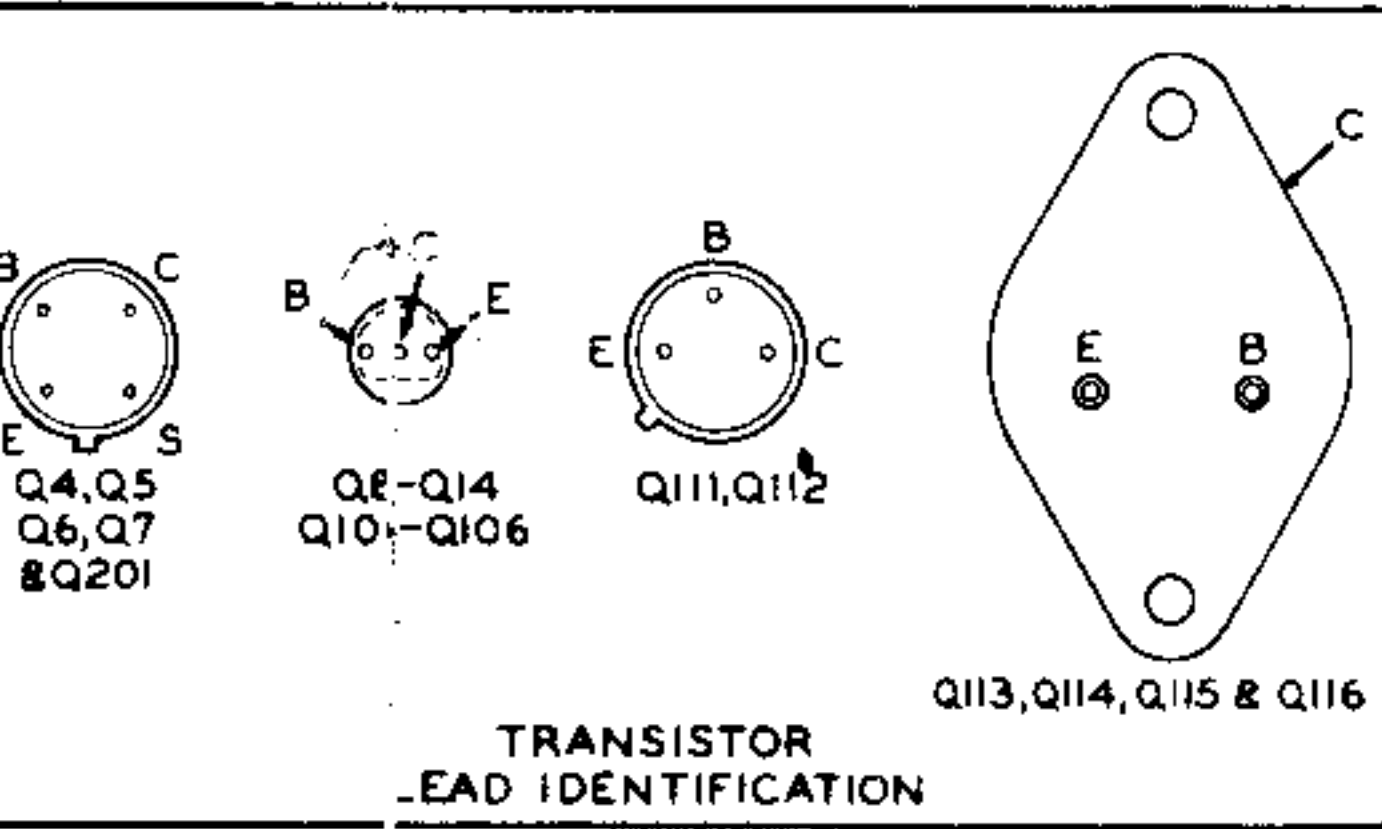
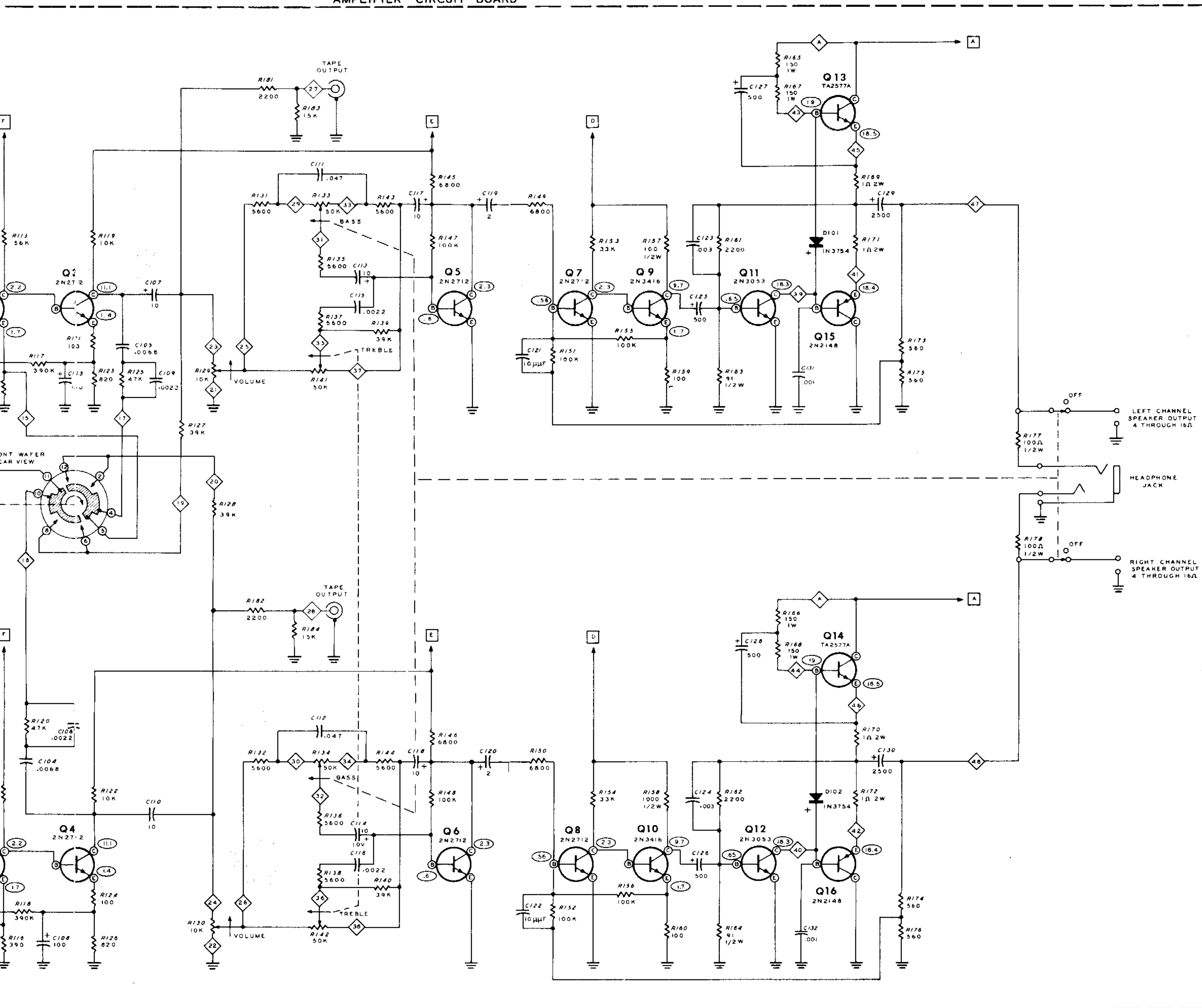


FM MULTIPLEX CIRCUIT BOARD





AMPLIFIER CIRCUIT BOARD



SCHMATIC OF THE HEATHKIT® SOLID STATE FM RECEIVER MODEL AR-14

- NOTES:
- RESISTOR AND CAPACITOR NUMBERS ARE IN THE FOLLOWING GROUPS:
 0 - 99 NUMBERS IN THE FM TUNER SECTION.
 100 - 199 ODD NUMBERS INDICATE LEFT CHANNEL COMPONENTS. EVEN NUMBERS INDICATE RIGHT CHANNEL COMPONENTS. PARTS IN THE POWER SUPPLY.
 200 - 299 PARTS IN THE POWER SUPPLY.
 - ALL RESISTORS ARE 1/4 WATT UNLESS MARKED OTHERWISE. RESISTOR VALUES ARE IN OHMS: K = 1000, MEG = 1,000,000.
 - ALL CAPACITOR VALUES ARE IN μ F UNLESS MARKED OTHERWISE.
 - THIS SYMBOL INDICATES A POSITIVE DC VOLTAGE MEASUREMENT. TAKEN WITH AN 11 MEGOHM VTVM FROM THE POINT INDICATED TO CHASSIS GROUND. VOLTAGES MAY VARY 50%.
 - INDICATES B- VOLTAGE POINTS.
 - INDICATES CONNECTING POINTS ON AMPLIFIER CIRCUIT BOARD.
 - INDICATES CONNECTING POINTS ON FM TUNER CIRCUIT BOARD.
 - SOURCE SWITCH SHOWN IN FULL COUNTERCLOCKWISE POSITION AS VIEWED FROM THE FRONT.
 - REFER TO THE CIRCUIT BOARD X-RAY VIEWS FOR THE PHYSICAL LOCATION OF PARTS.
 - INDICATES CW ROTATION.
 - MEASUREMENTS MADE WITHOUT ANTENNA CONNECTED, SWITCH S2 AT STEREO POSITION, AND PHASE SWITCH PUSHED IN.
 - INDICATES TEST POINTS.
 - Q1 MAY BE A 2SA163 OR 2SA435 TRANSISTOR.
 Q3 MAY BE A 2SA235 TRANSISTOR.
 2N2712 TRANSISTORS: Q8 THROUGH Q13 HAVE AN ORANGE DOT AND Q14 HAS A BLUE DOT.

Free Manual

Not to be resold

**Technology
Systems**

**PLEASE REPORT VOILATIONS TO
WWW.TECH-SYSTEMS-LABS.COM**