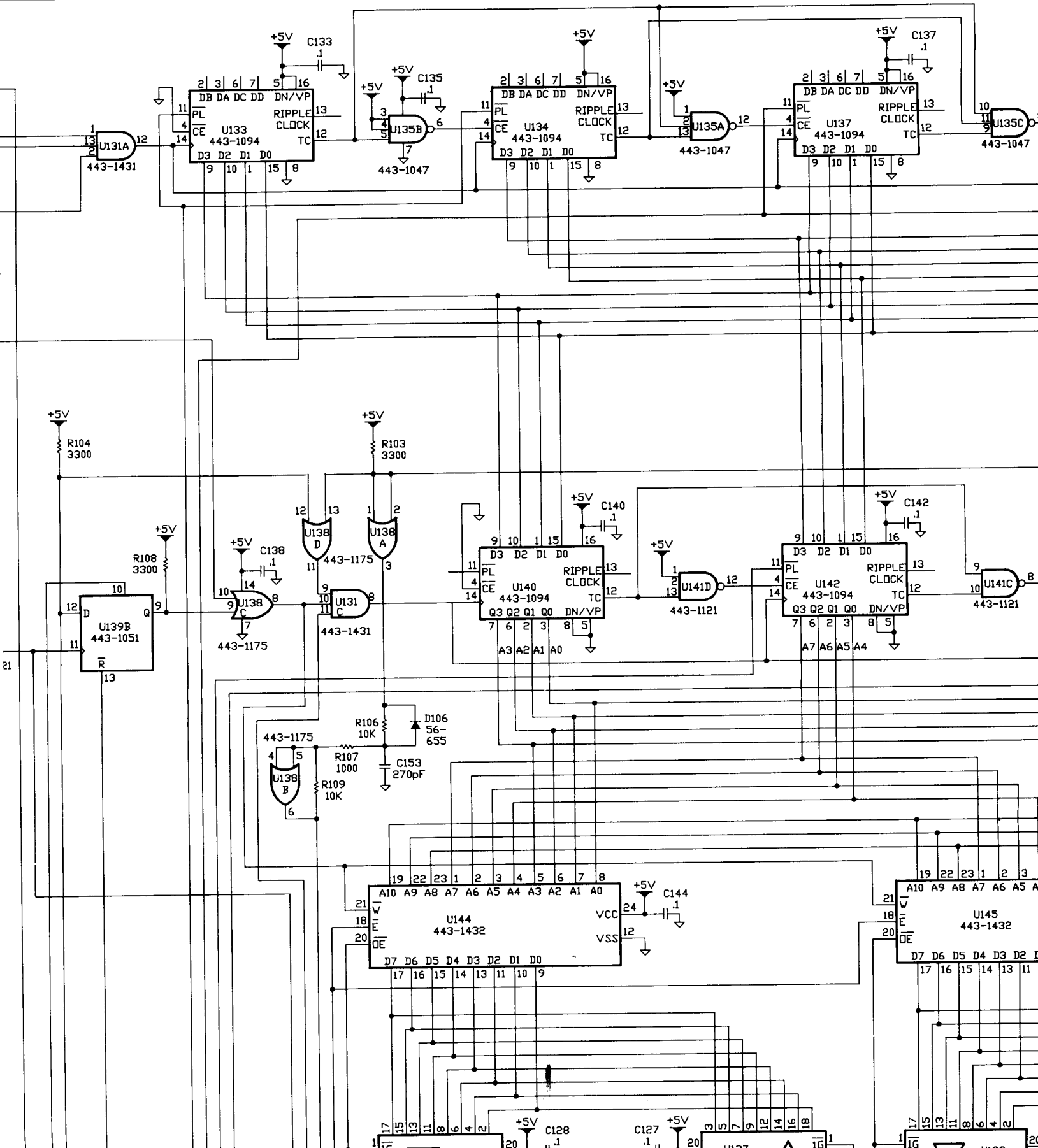
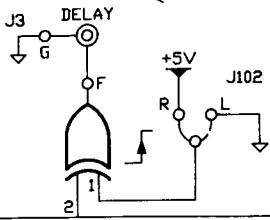
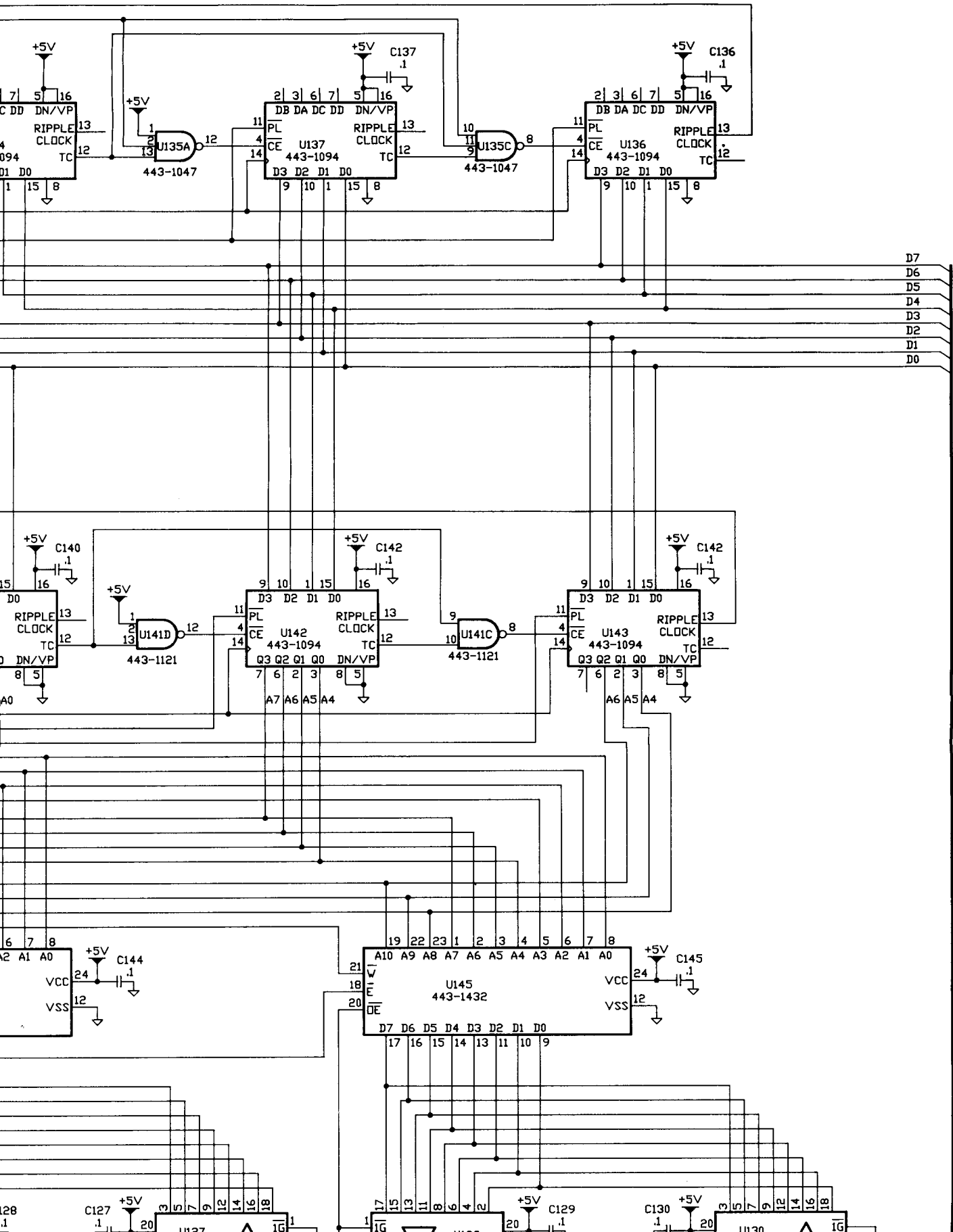


RIGGER OUT

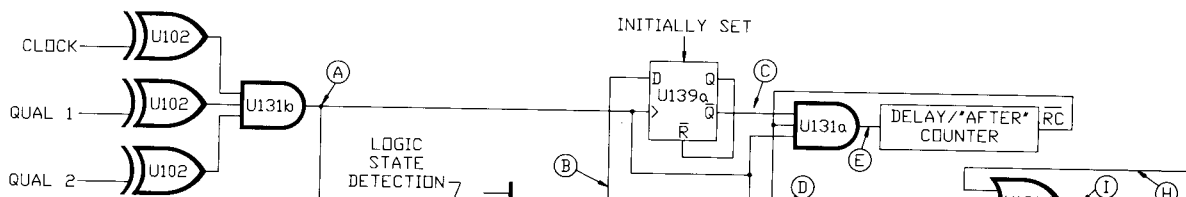
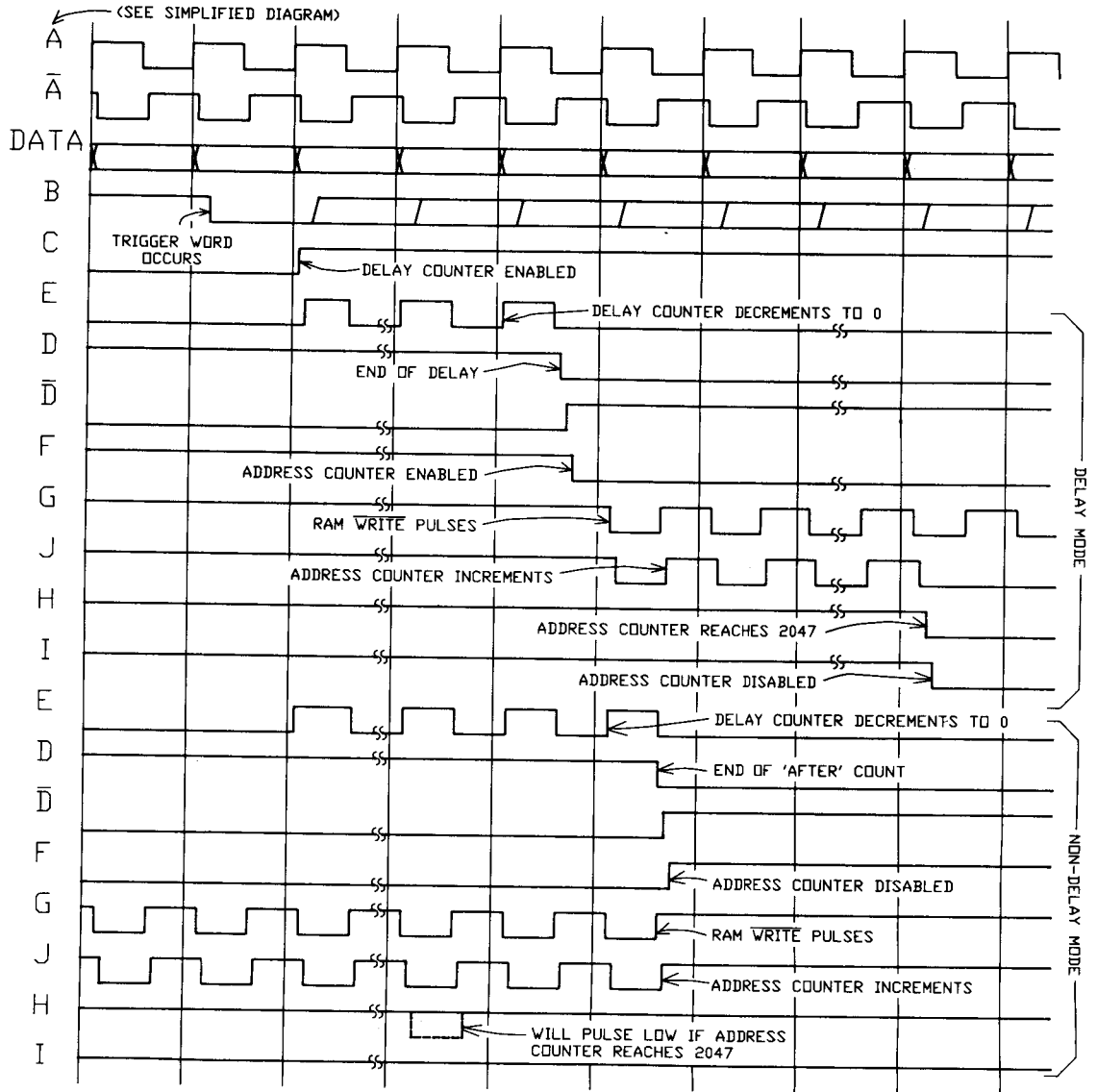


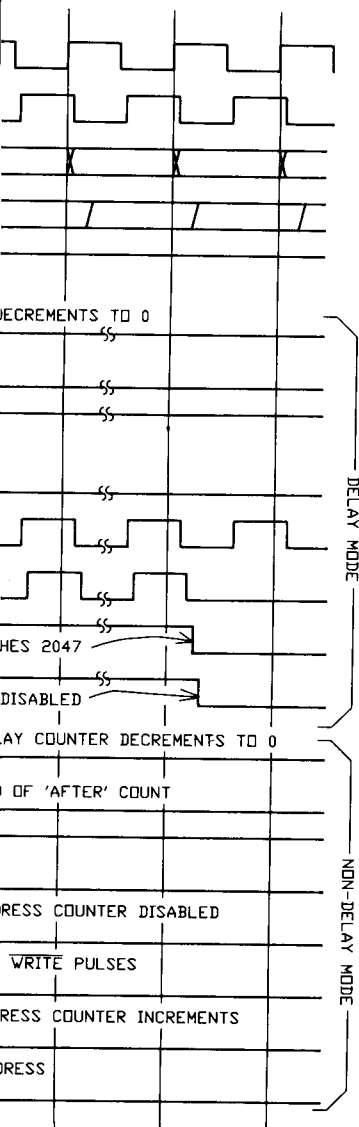


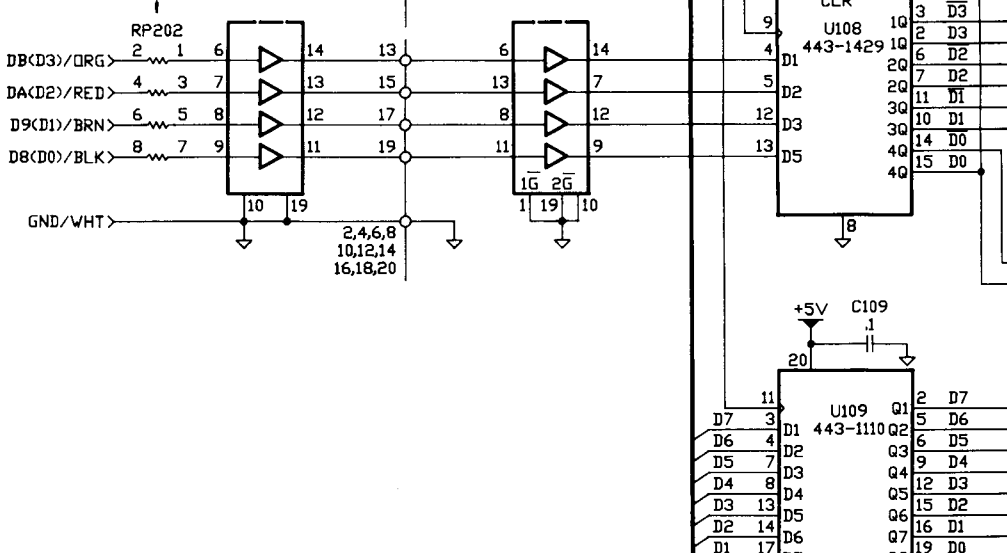
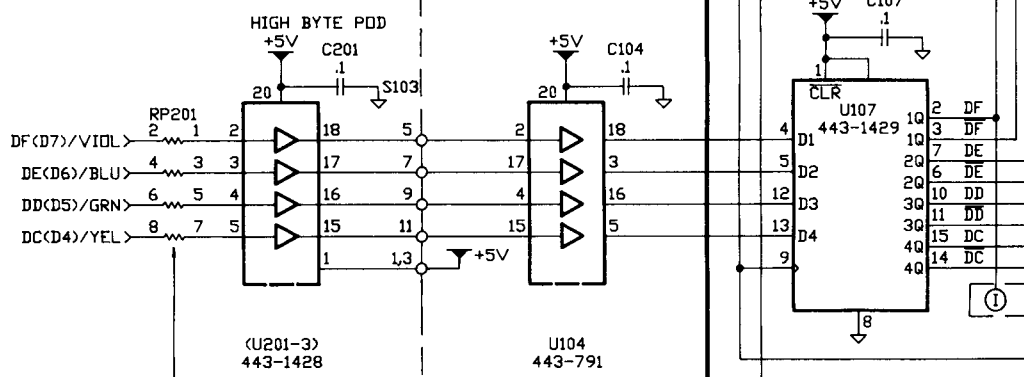
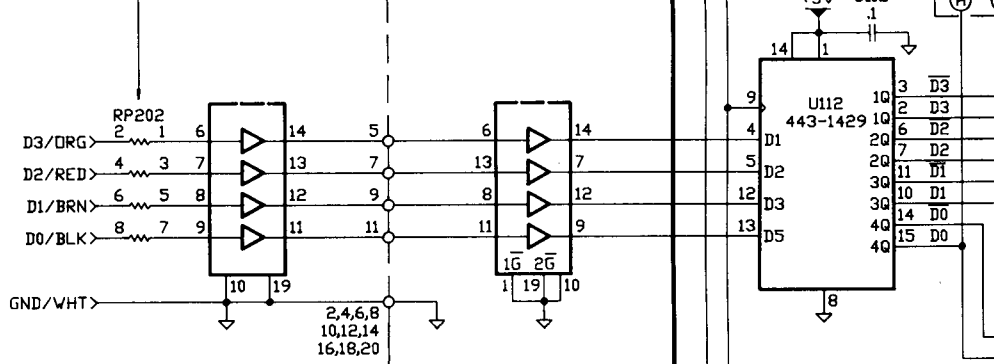
A
 \bar{A}
 DATA
 B
 C
 E
 D
 \bar{D}
 F
 D3
 D2
 D1
 D0
 J
 H
 I
 E
 D
 \bar{D}
 F
 G
 J
 H
 I

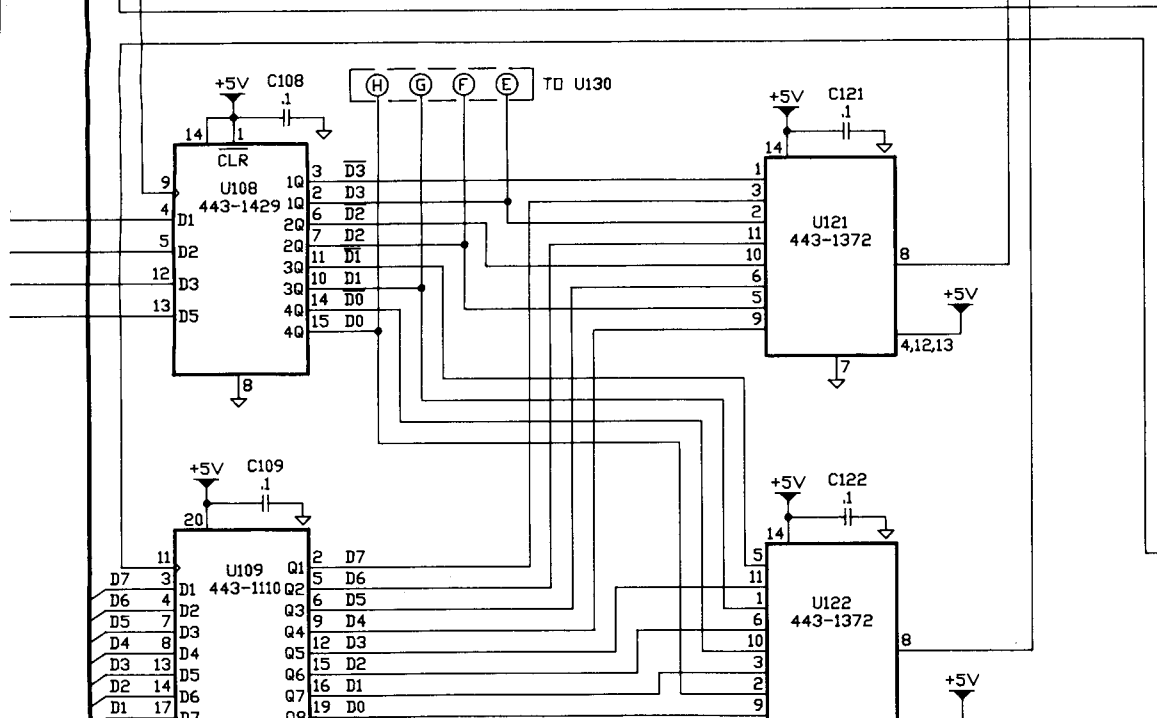
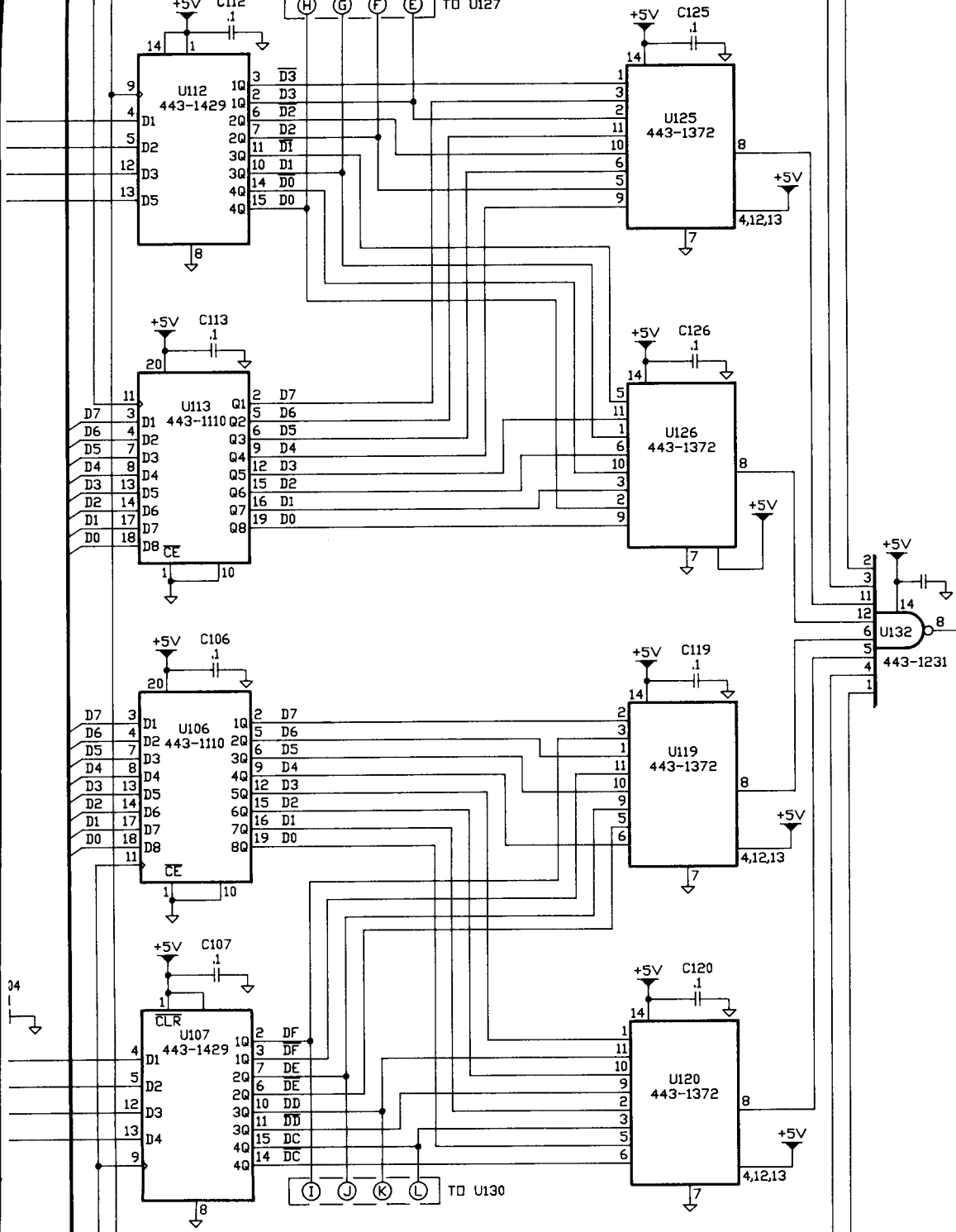
CLOCK
 QUAL 1
 QUAL 2

Timing Diagram









0=F
 CLOCK EDGE SELECT 1=L
 TRIGGERED L

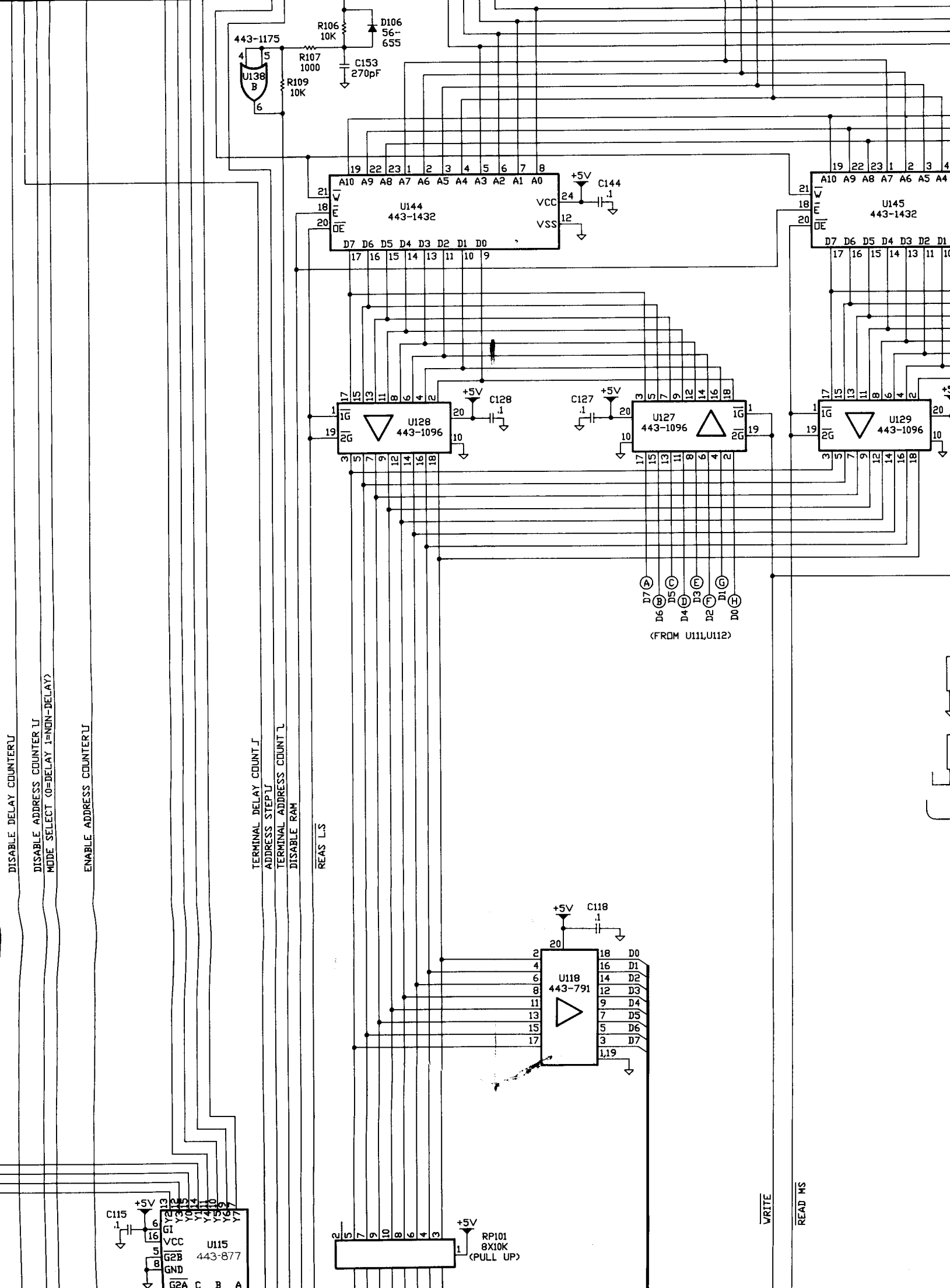
DISABLE DELAY COUNTER L

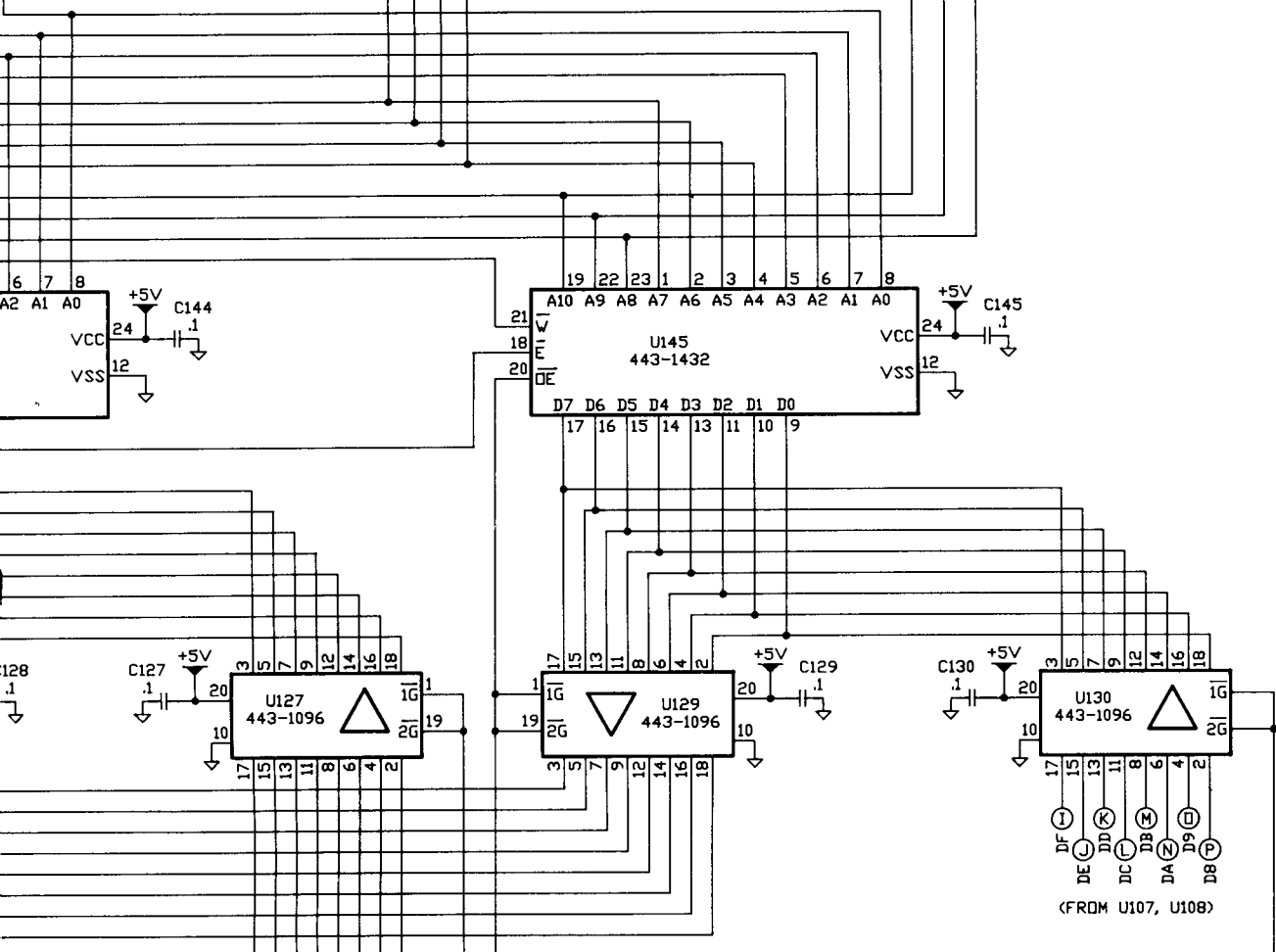
DISABLE ADDRESS COUNTER L

MODE SELECT (0=DELAY 1=NON-DELAY)

ENABLE ADDRESS COUNTER L

C115

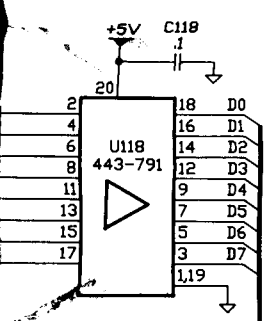
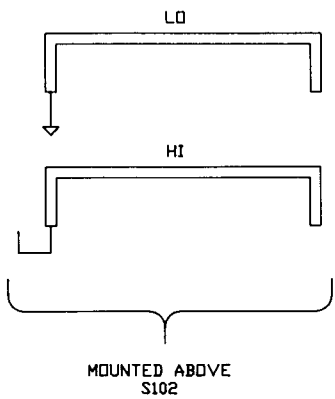




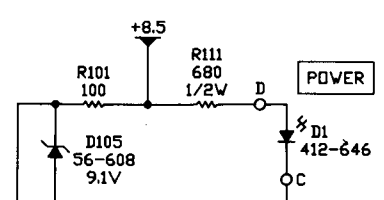
CLOCK —
 QUAL 1 —
 QUAL 2 —
 DATA
 (1 BIT) —

D7 (A)
 D6 (B)
 D5 (C)
 D4 (D)
 D3 (E)
 D2 (F)
 D1 (G)
 D0 (H)
 (FROM U111, U112)

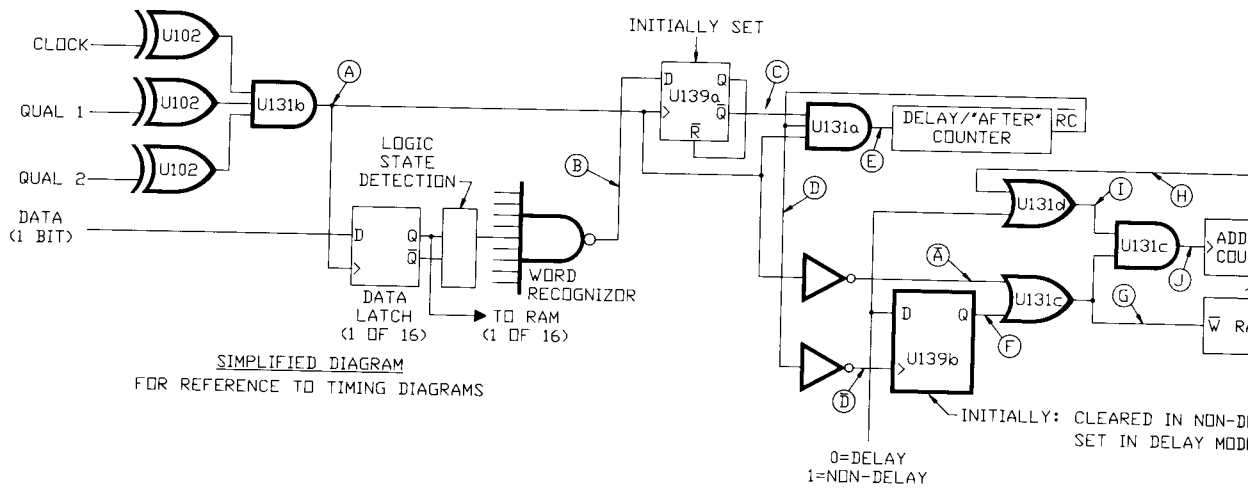
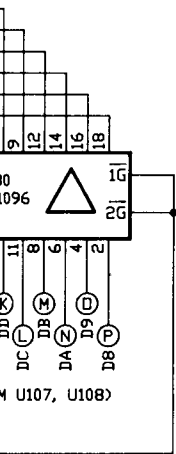
(FROM U107, U108)



WRITE
 READ MS



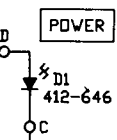
101
 OK
 UP)

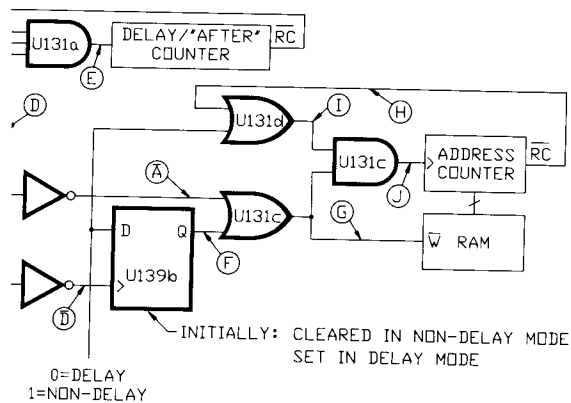


Schematic of the Heathkit[®] Logic Analyzer Model IC-1001

NOTES:

1. All resistors are rated at 1/4-watt and have a 5% tolerance unless otherwise noted. Resistor values are in ohms (k = 1000).
2. Capacitor values are in μF (microfarads) unless otherwise noted (pF = picofarads).
3. This symbol indicates circuit board ground.
4. Refer to the "Circuit Board X-Ray Views" for the physical locations





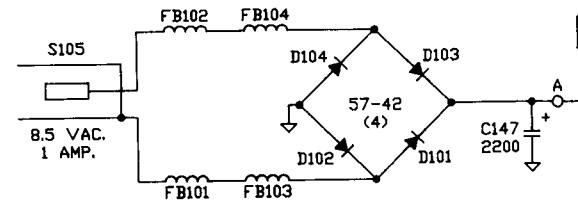
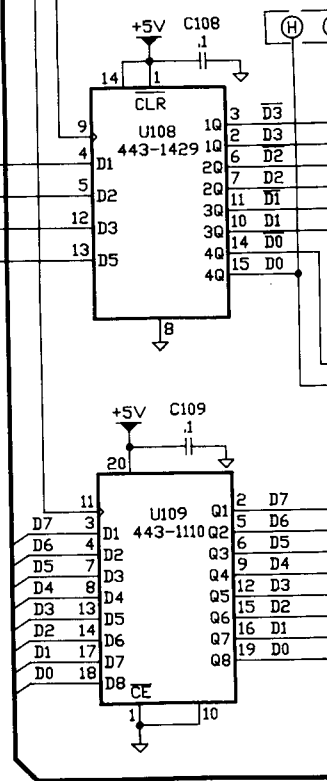
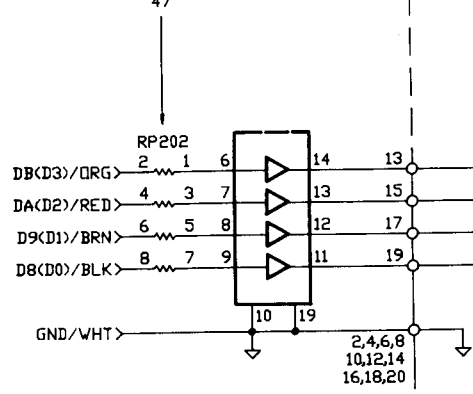
**natic of the
athkit ®
c Analyzer
el IC-1001**

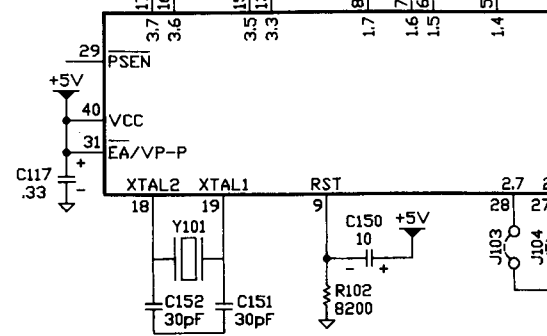
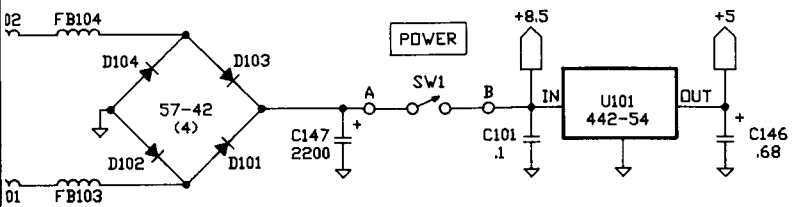
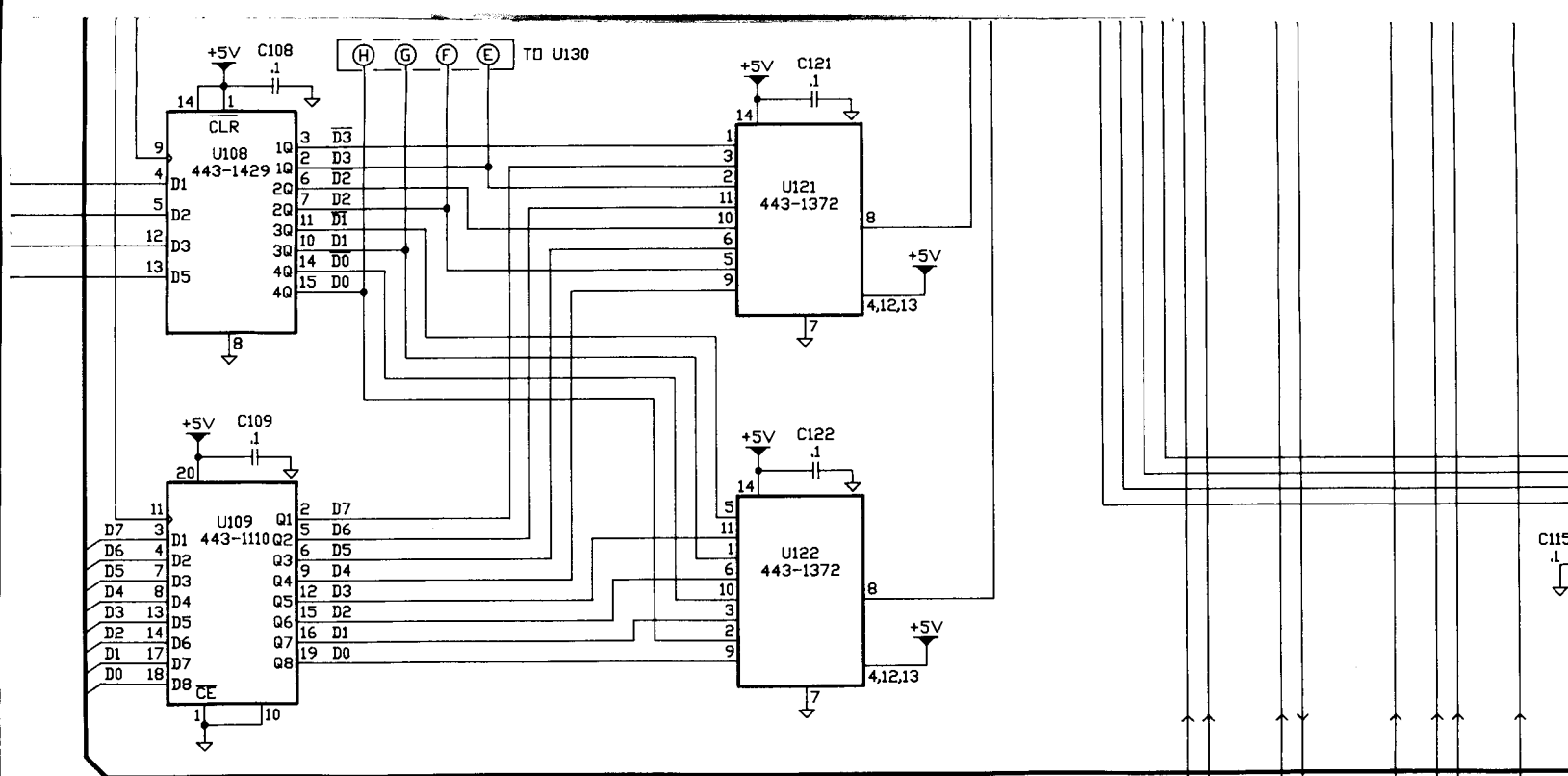
1/4-watt and have a 5% tolerance unless
values are in ohms (k = 1000).

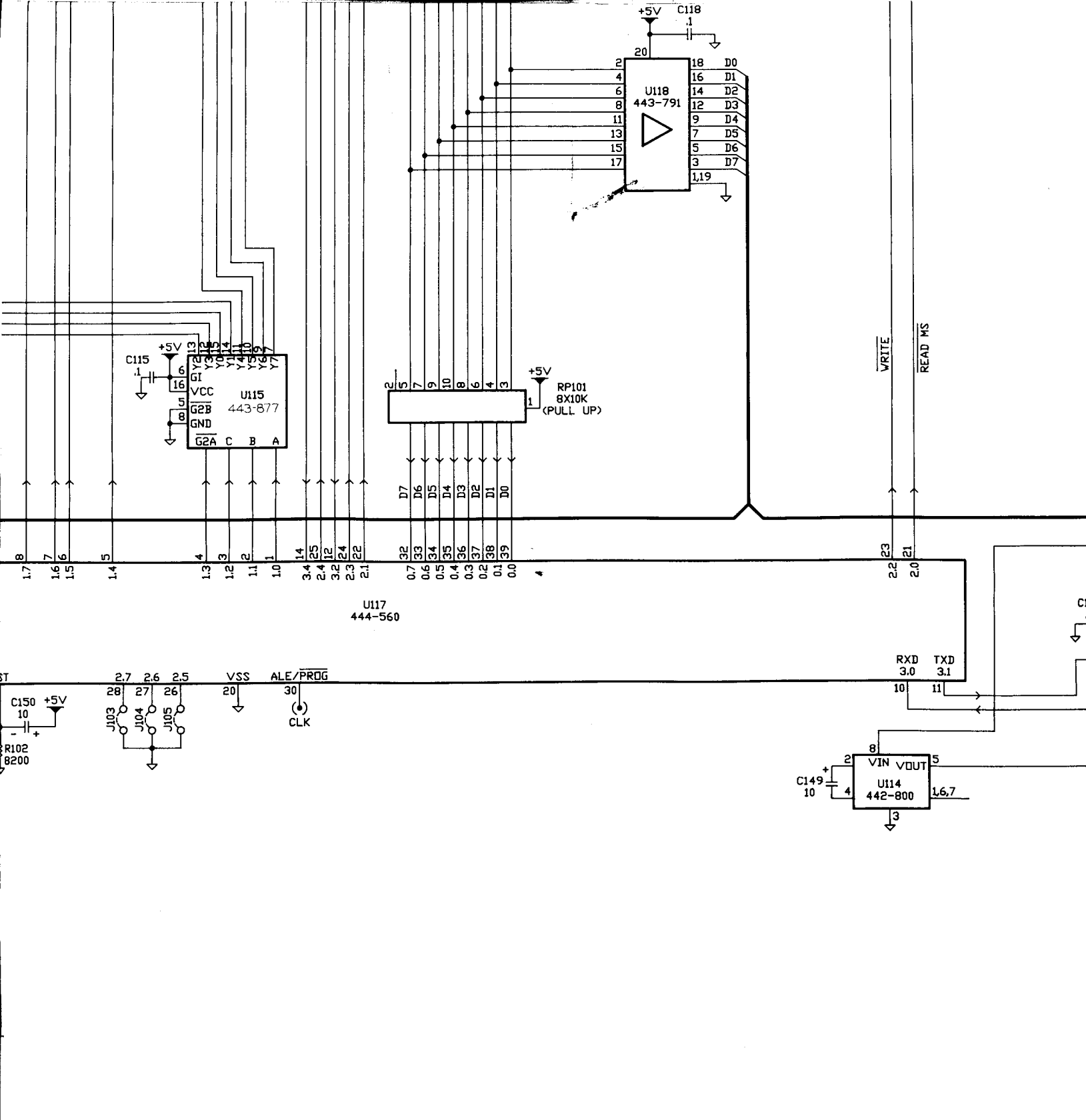
F (microfarads) unless otherwise noted

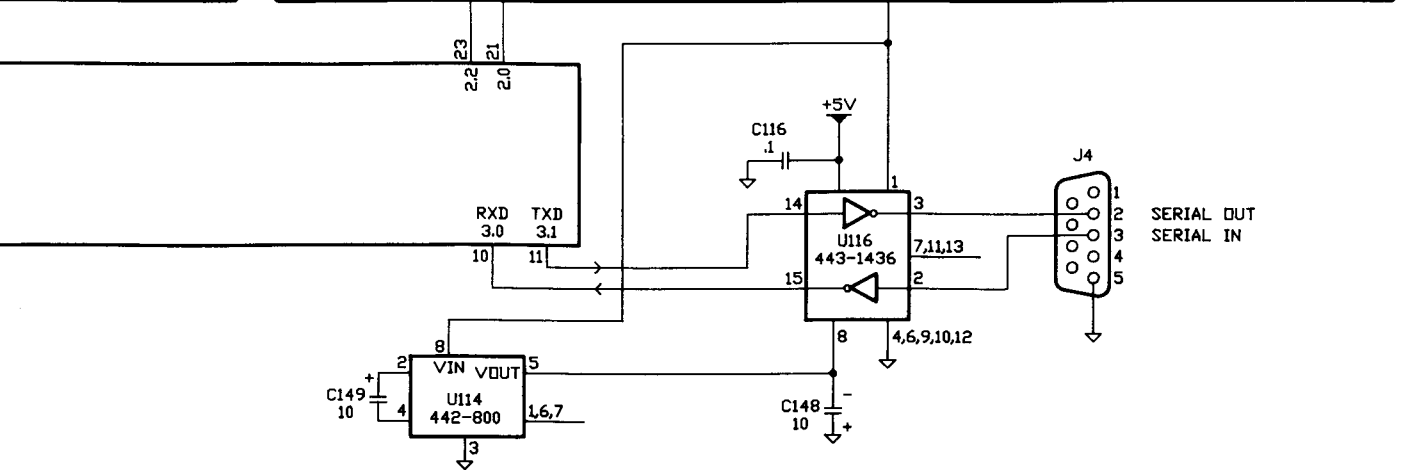
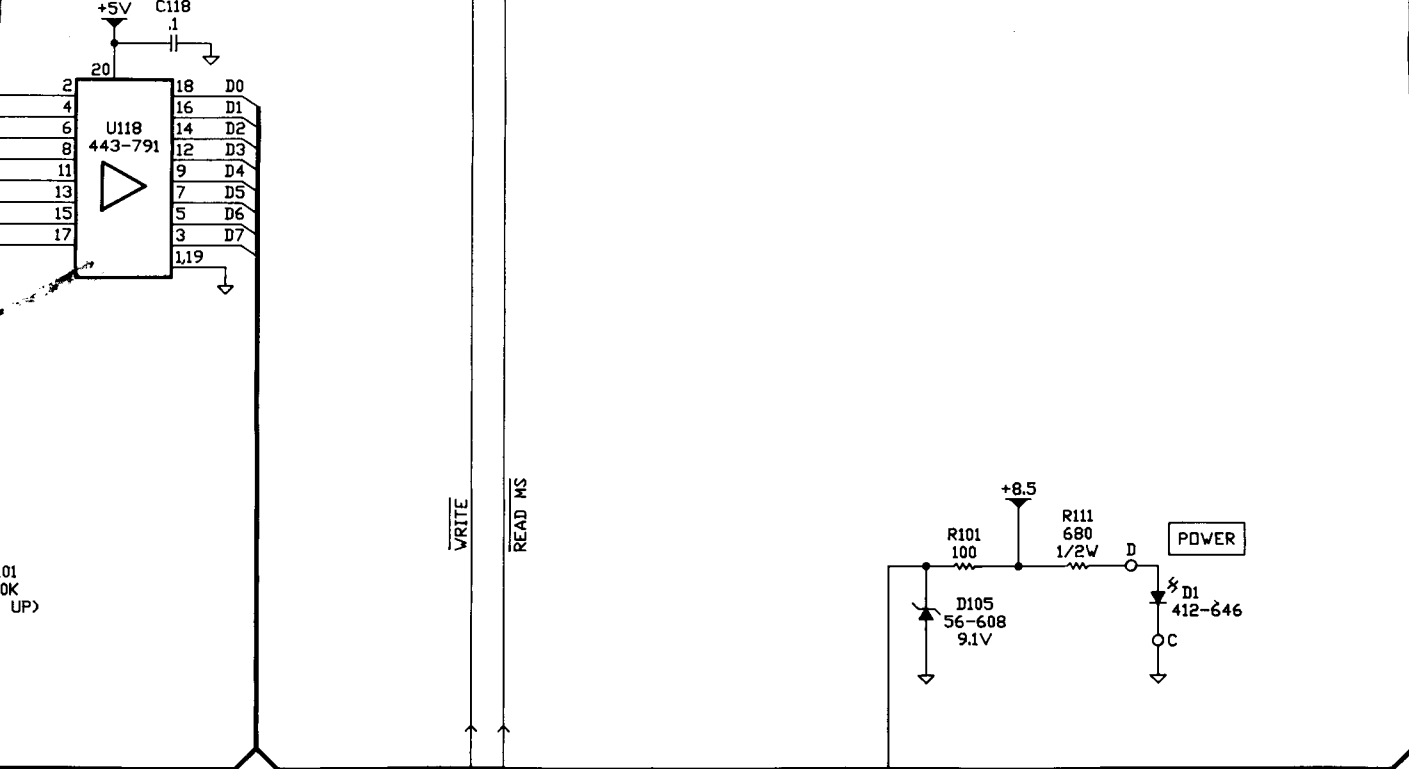
s circuit board ground.

X-Ray Views" for the physical locations










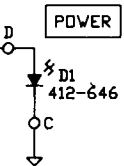
Schematic of the Heathkit[®] Logic Analyzer Model IC-1001

NOTES:

1. All resistors are rated at 1/4-watt and have a 5% tolerance unless otherwise noted. Resistor values are in ohms ($k = 1000$).
2. Capacitor values are in μF (microfarads) unless otherwise noted ($pF =$ picofarads).
3.  This symbol indicates circuit board ground.
4. Refer to the "Circuit Board X-Ray Views" for the physical locations of the parts.

Copyright © 1987
Heath Company
All Rights Reserved
Printed in the United States of America

Part of 595-3849-01



SERIAL OUT
SERIAL IN

**natic of the
athkit ®
c Analyzer
el IC-1001**

1/4-watt and have a 5% tolerance unless
values are in ohms ($k = 1000$).

F (microfarads) unless otherwise noted

s circuit board ground.

X-Ray Views" for the physical locations

Part of 595-3849-01

erica