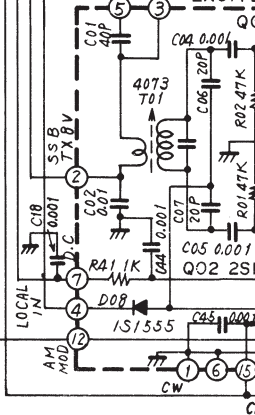
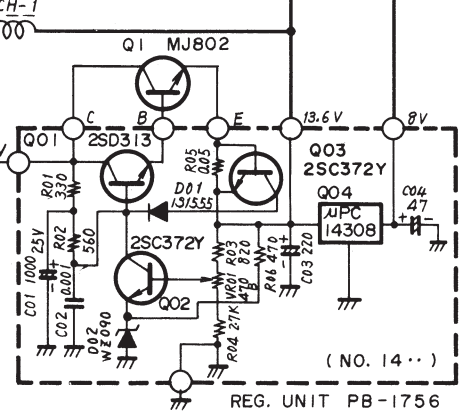
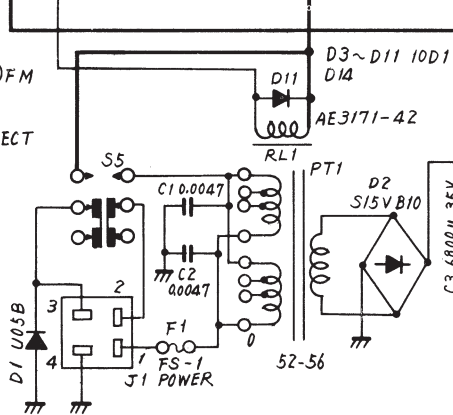
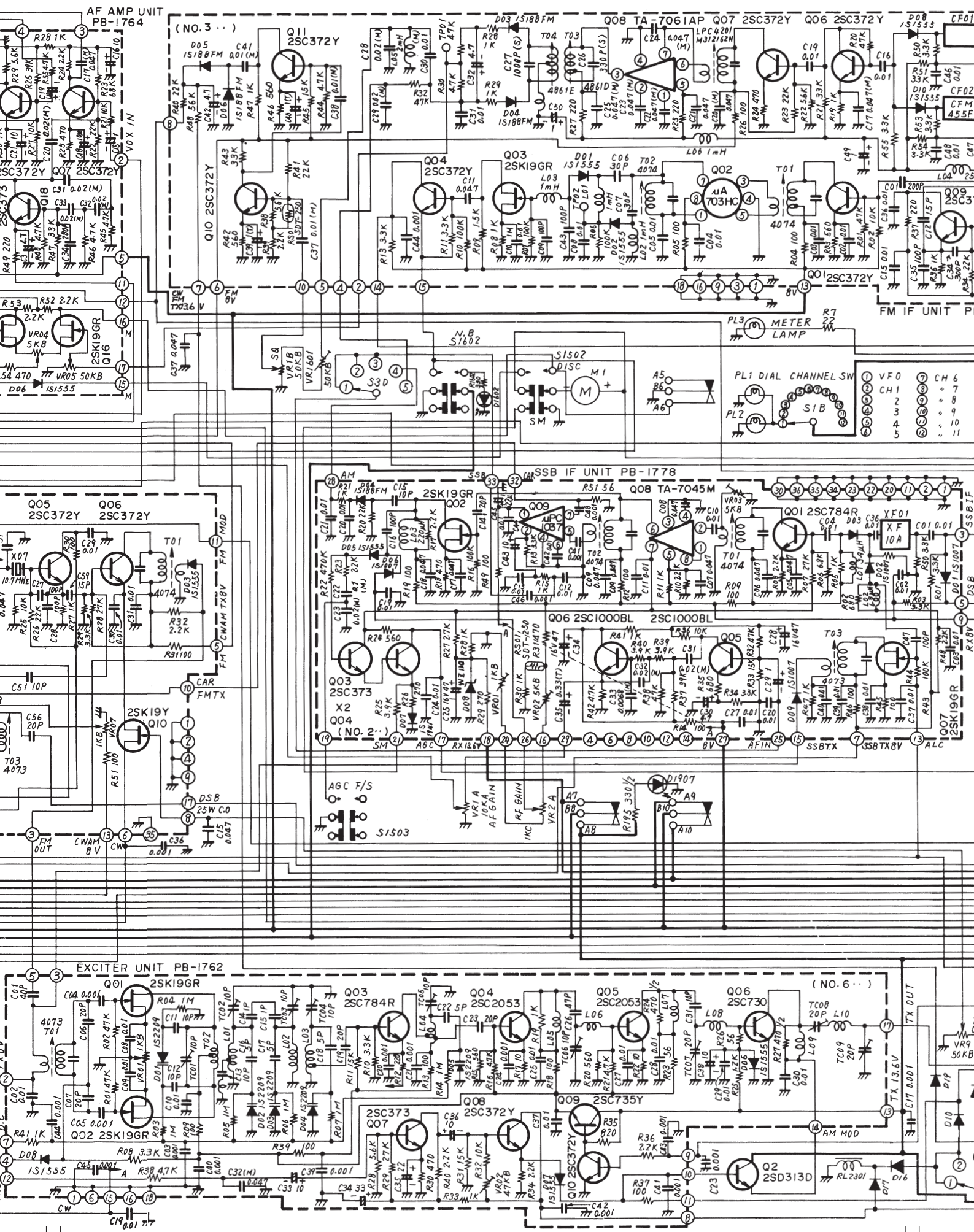
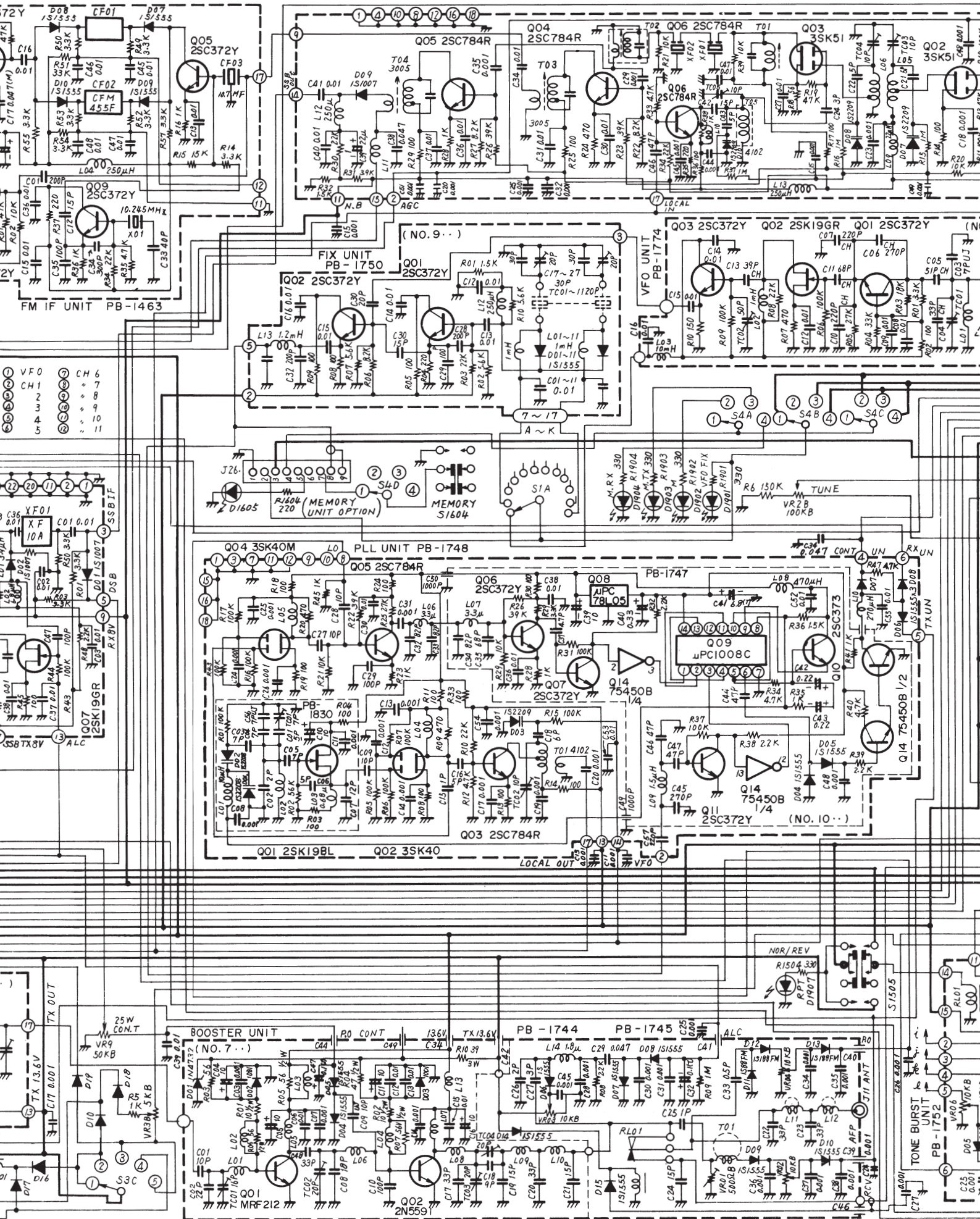


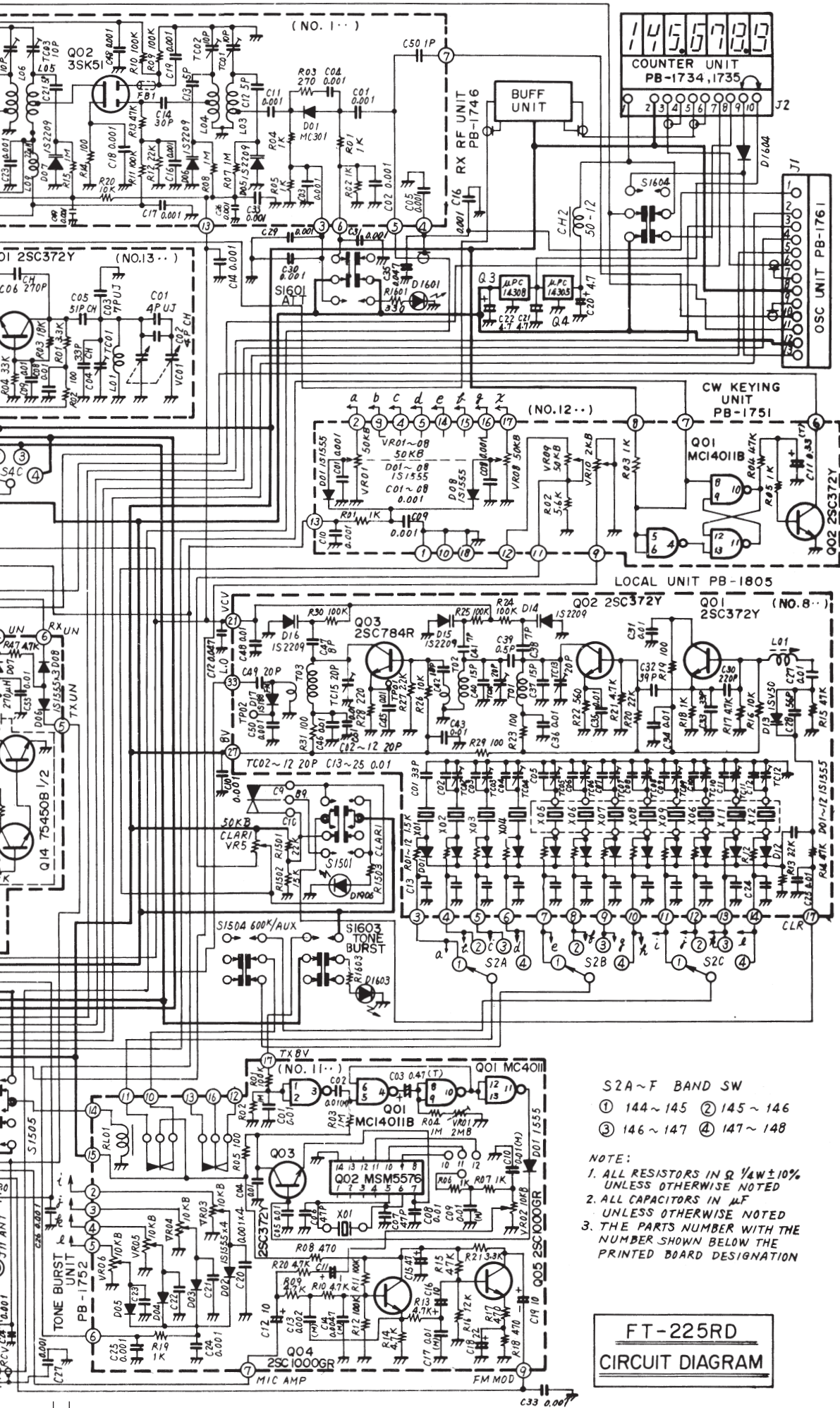
- S3 A~H MODE SW
 ① LSB ② USB
 ③ CW ④ AM ⑤ FM
- S4 A~C MEMO SELECT
 ① VFO FIX
 ② SIMP
 ③ TX } MR
 ④ RX }







- ① VFO
- ② CH 1
- ③ 2
- ④ 3
- ⑤ 4
- ⑥ 5
- ⑦ CH 6
- ⑧ 7
- ⑨ 8
- ⑩ 9
- ⑪ 10
- ⑫ 11



S2A~F BAND SW
 ① 144~145 ② 145~146
 ③ 146~147 ④ 147~148

NOTE:
 1. ALL RESISTORS IN Ω & $\frac{1}{2}\mu$ $\pm 10\%$ UNLESS OTHERWISE NOTED
 2. ALL CAPACITORS IN μ F UNLESS OTHERWISE NOTED
 3. THE PARTS NUMBER WITH THE NUMBER SHOWN BELOW THE PRINTED BOARD DESIGNATION

**FT-225RD
 CIRCUIT DIAGRAM**