

PARTS MANUAL

Models

**EH035
ENGINE**

PUB-EP
Rev. 07/03

Robin America, Inc.

940 Lively Blvd. • Wood Dale, IL 60191 • Phone: 630-350-8200 • Fax: 630-350-8212
e-mail: sales@robinamerica.com • www.robinamerica.com

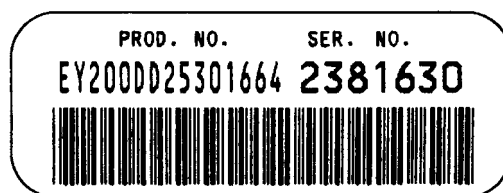
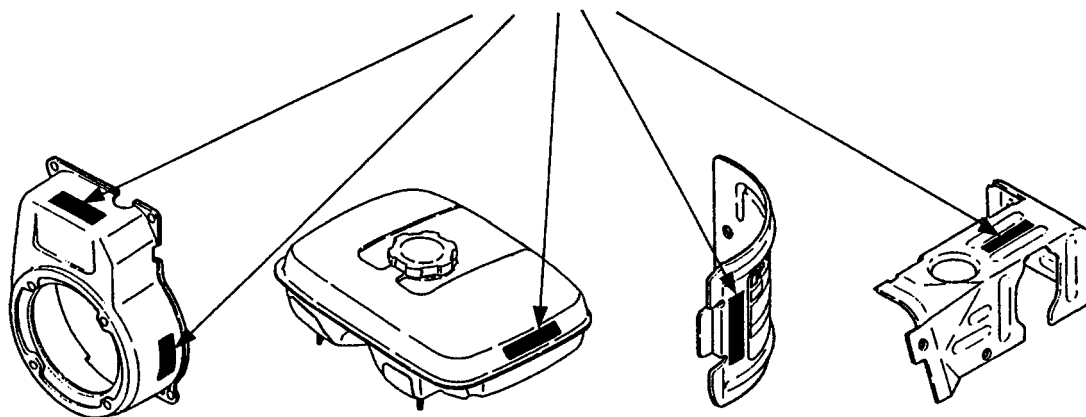
© Copyright 2003 Robin America, Inc.

HOW TO USE THIS MANUAL

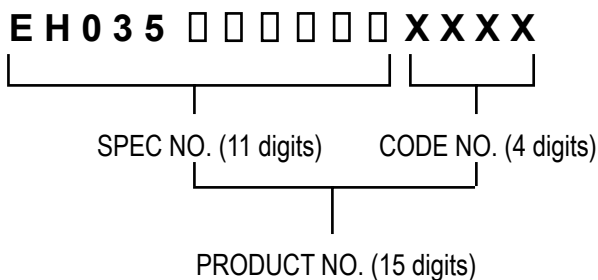
Robin engines are identified by MODEL, SPECIFICATION, and CODE NUMBER. For each model there may be many different versions called specifications. Each specification will be unique in some way. The difference may only be the paint color or it may have a different type of PTO or some other significant difference.

In order to identify the correct service part number, it is important to confirm the specification and code numbers for your engine. The specification and code number together are known as the PRODUCT NUMBER.

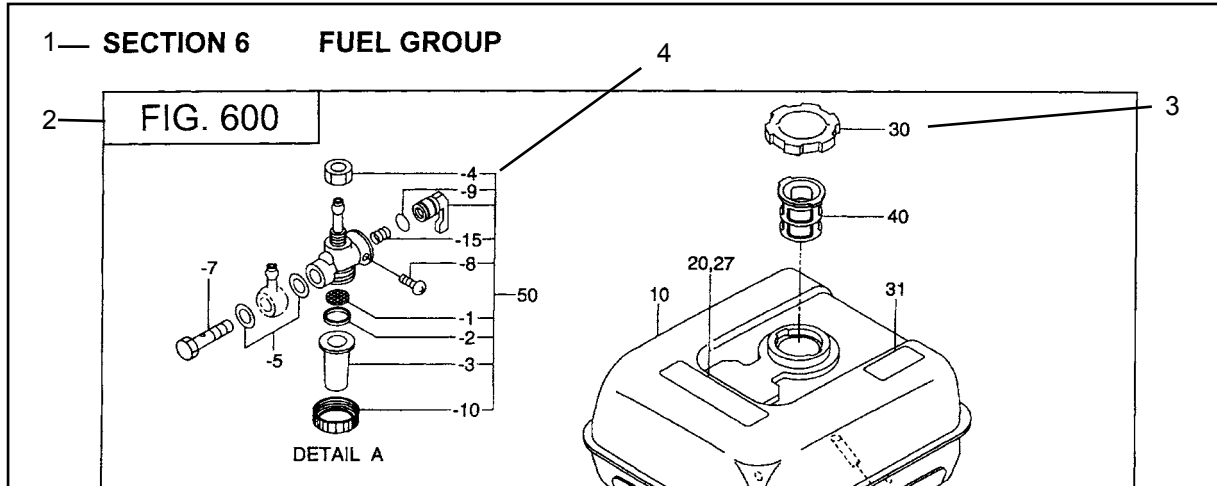
All Robin 4 cycle engines have a Product Number label similar to the label illustrated below.



The Product Number Label has a 15 digit alphanumeric string that consists of the SPECIFICATION (SPEC) number (11 digits) and the CODE number (4 digits). Please note the illustration below:



MANUAL LAYOUT



REF.	PART NO.	DESCRIPTION	QTY.	REMARKS	FROM-TO	FIG.
10	267-60103-01	FUEL TANK CP	1	YD, YS TYPE, BLACK		600
	267-60101-01	FUEL TANK CP	1	YELLOW		600
27	073-20039-00	LABEL, WARNING	1	YD, YS TYPE		600
30	043-04300-15	FUEL TANK CAP CP	1			600
31	267-95201-03	LABEL, EMISSION	1	YD, YS TYPE		600
40	064-13600-10	FUEL FILTER	1			600
50	064-20021-01	FUEL STRAINER AY	1			600
-1	064-20002-20	FILTER	1			600
-2	064-20002-30	GASKET	1			600
-3	064-20019-10	CUP	1			600

1. SECTION NAME Parts are broadly classified according to their functions. Refer to the Group Index (table of contents) for respective section name.
2. FIG. No. The FIG. number indexes the reference and part numbers to the illustration. Figure numbers that vary only in the tens place (i.e.: 700 and 710) are in a group of the same section (i.e.:Electrical Device Group).
3. REF. No. The Reference number identifies the part illustration with the corresponding part number in the part list.
4. SUBASSEMBLY SUBASSEMBLY parts of part assembly are listed below the assembly part. The subassembly part reference number is indicated by the number led by "-" such as "-1", "-2".
5. PART NUMBER It is the number assigned for sales unit. Use the PART No. when making an order.
6. DESCRIPTION It is designation of the part.
7. QTY. Quantity of each part used for each product.
8. REMARKS This gives a distinctive feature and/or a supplementary comment for the type, the specification, and the part concerned. It also shows part number(s) interchangeable for the part.
9. FROM-TO This section shows the CODE No. to indicate the history of progress in which improved parts have been introduced in the product. The FROM-TO CODE No. helps to identify PART No. being employed in the product concerned. See the examples below:
 - The part is used in the product irrespective of CODE No.
 - 2101- The part is used in the products with CODE No. of 2101 and after this number.
 - 2100 The part is used in the products with CODE No. of 2100 and before this number.

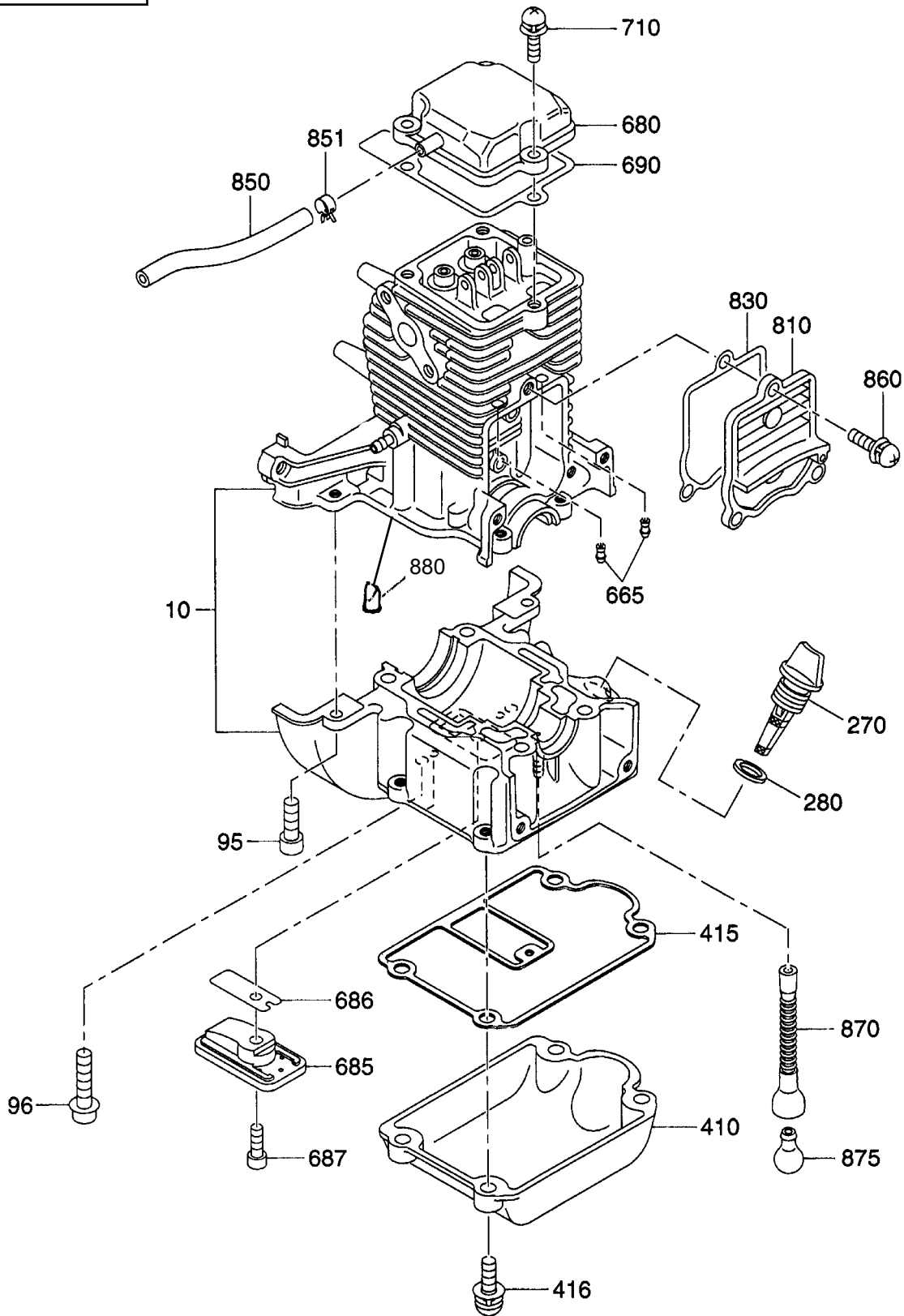
GROUP INDEX

Group Name	Page
CRANKCASE GROUP	6
CRANKSHAFT, PISTON GROUP	8
INTAKE and EXHAUST GROUP	10
COOLING and STARTING GROUP	12
FUEL, LUBRICANT GROUP	14
ELECTRIC DEVICE GROUP	16
CLUTCH GROUP	18
ACCESSORY GROUP	20

INDEX OF DESCRIPTION SYMBOLS			
SYMBOL	DESCRIPTION	SYMBOL	DESCRIPTION
AY	ASSEMBLY	P=	PITCH (in mm)
CP	COMPLETE	P.T.O. (PTO)	POWER TAKE OFF
EX	EXPORT (from Japan)	REF	REFERENCE
FIG	FIGURE	R.H. (RH)	RIGHT HAND SIDE
FR	FRONT	RR	REAR
"	INCH	STD.	STANDARD
INCL.	INCLUDE	SW	SWITCH
~L	LITER	T=	THICKNESS (in mm)
L=	LENGTH (in. mm)	UN	UNIT
L.H. (LH)	LEFT-HAND SIDE	U.S.	UNDER SIZE
MECH	MECHANICAL	~V	VOLTAGE
NO (NON)	NONE	~W	WATT
OPT	OPTIONAL	W/	WITH
O.S.	OVER SIZE	W/O	WITHOUT

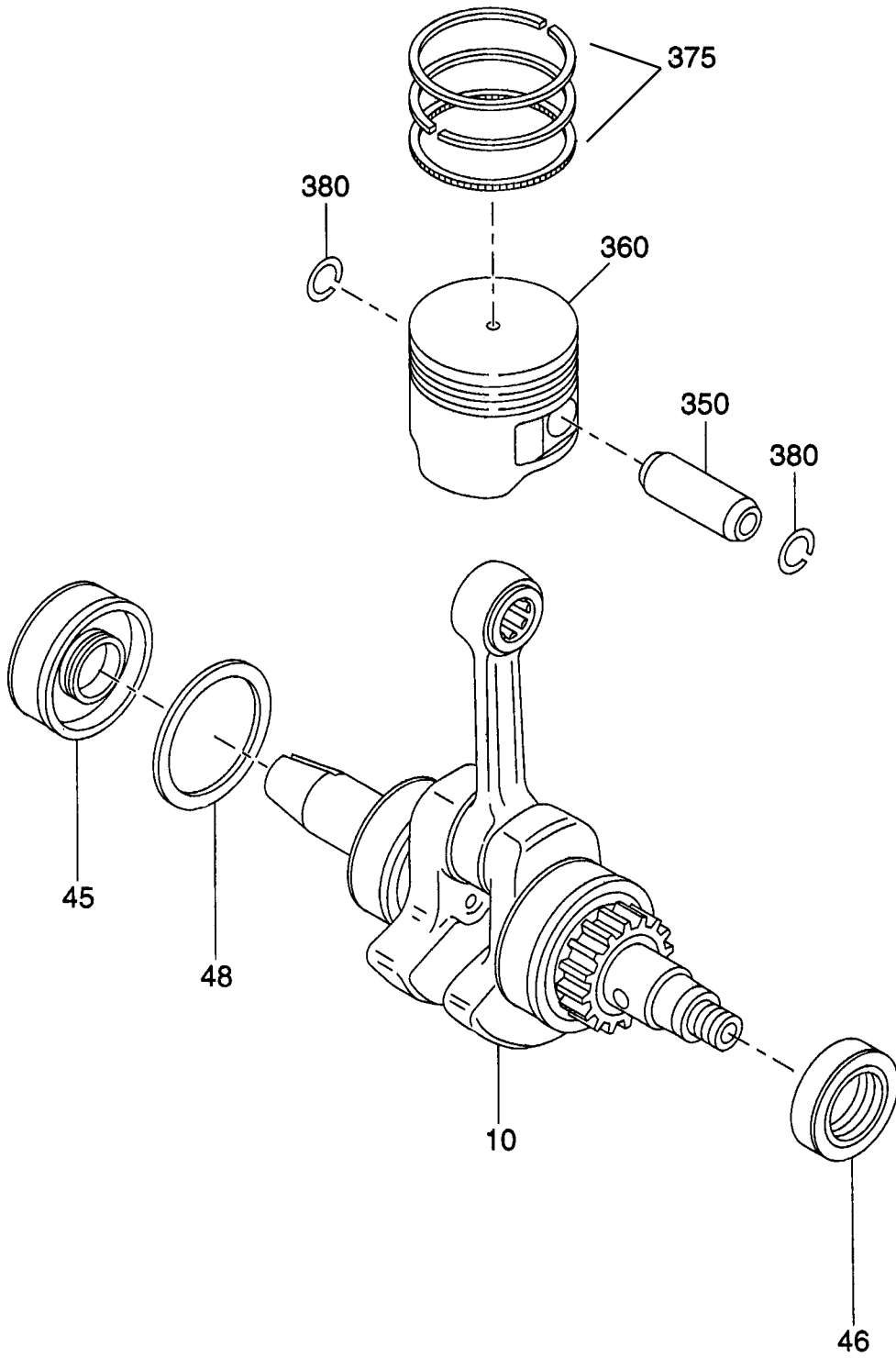
SECTION 1 CRANKCASE GROUP

FIG. 100



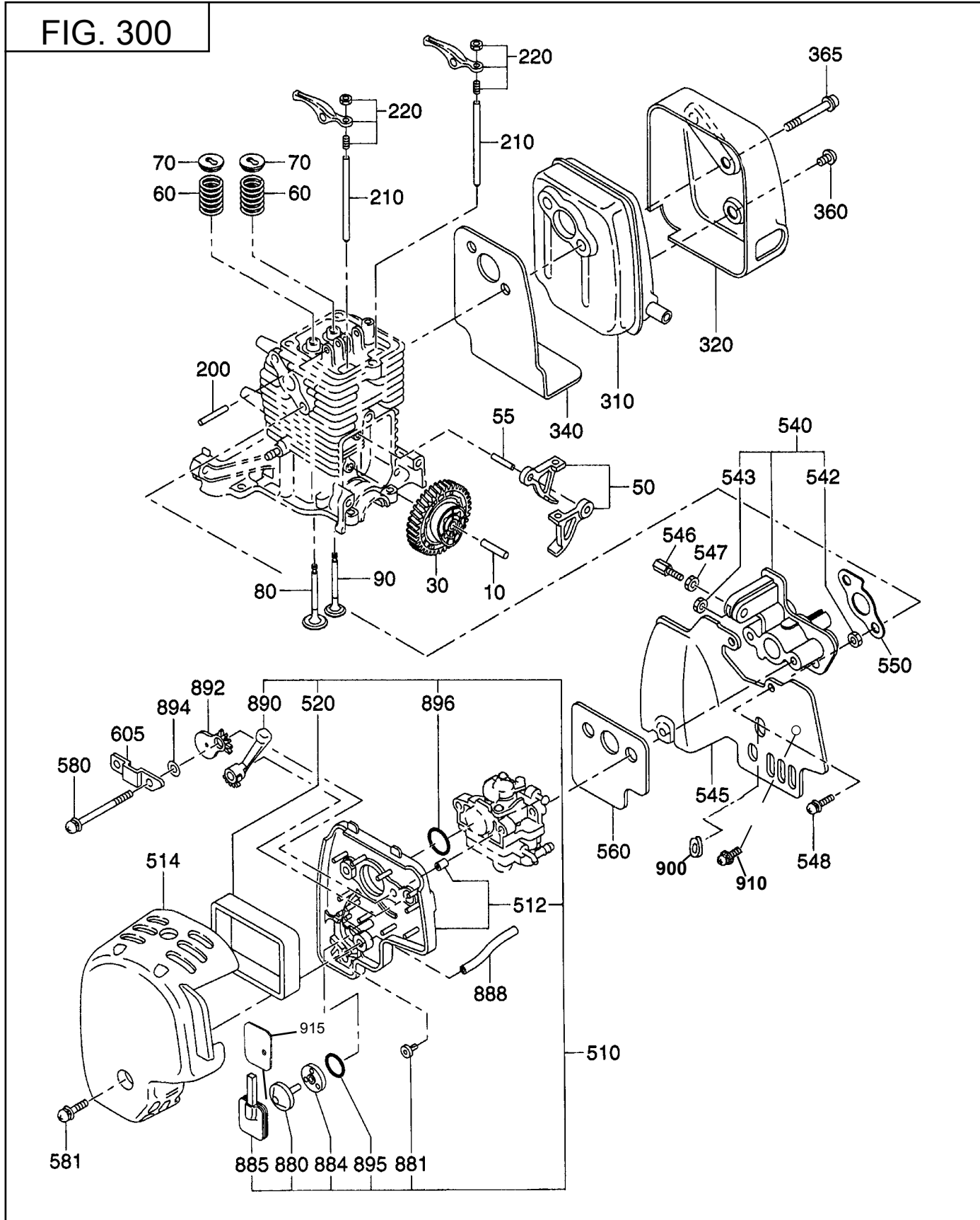
SECTION 2 CRANKSHAFT, PISTON GROUP

FIG. 200



SECTION 3 INTAKE and EXHAUST GROUP

FIG. 300

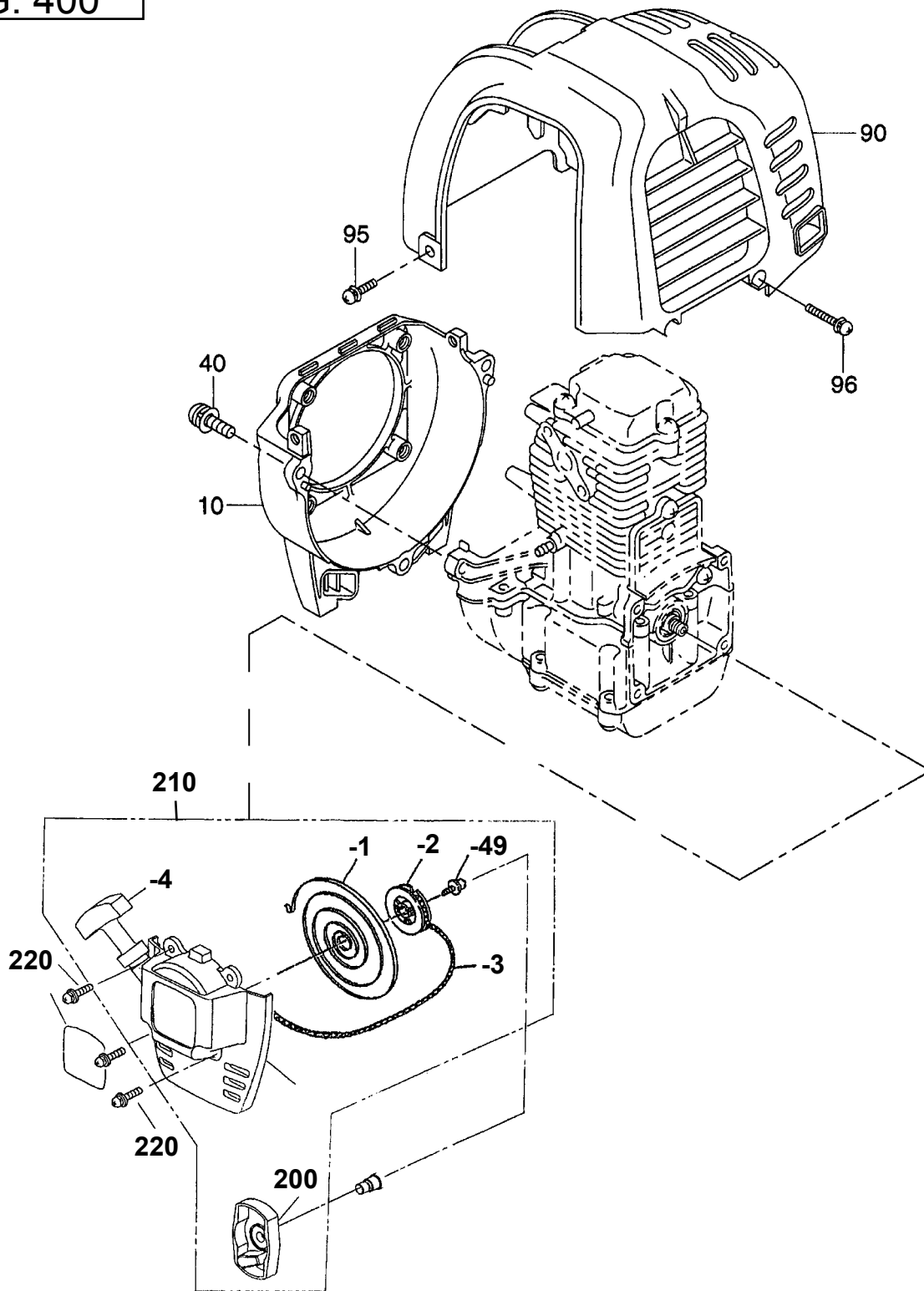


SECTION 3 INTAKE and EXHAUST GROUP

REF.	PART NO.	DESCRIPTION	QTY.	REMARKS	FROM-TO	FIG.
10	592-35005-01	CAMGEAR SHAFT	1			300
30	593-30030-00	CAMGEAR AY	1			300
50	592-35000-01	CAMLIFTER	2			300
55	592-35006-00	CAMLIFTER SHAFT	1			300
60	593-35002-00	VALVE SPRING	2			300
70	593-35003-00	RETAINER SPRING	2			300
80	593-35005-00	INTAKE VALVE	1			300
90	593-35004-00	EXHAUST VALVE	1			300
200	593-35001-00	ROCKER SHAFT	1			300
210	593-35000-00	PUSH ROD	2			300
220	593-30020-00	ROCKER ARM AY	2			300
310	592-30010-00	MUFFLER	1			300
320	592-35034-00	MUFFLER COVER	1			300
340	592-35016-01	GASKET, MUFFLER	1			300
360	014-00599-62	SCREW	1			300
365	011-90595-20	SOCKET HEAD BOLT	2			300
510	593-30010-00	CLEANER PLATE AY	1			300
512	593-35007-00	AIR CLEANER PLATE CP	1			300
-1	023-00598-80	SPACER	2			300
514	593-35008-00	AIR CLEANER COVER	1			300
520	593-35012-00	ELEMENT	1			300
540	592-30050-01	INSULATOR CP	1			300
542	017-00599-80	NUT	2			300
543	002-27060-00	NUT	1			300
545	593-35006-00	INSULATOR , CARBURETOR	1			300
546	014-90699-72	ADJUST SCREW	1			300
547	002-27060-00	NUT	1			300
548	004-36051-08	SCREW AY	2			300
550	592-35018-01	GASKET, INSULATOR	1			300
560	592-35019-00	GASKET, CARBURETOR	1			300
580	592-35031-00	SCREW	2			300
581	014-00594-80	SCREW	1			300
605	592-35026-00	PLATE	1			300
880	531-65007-01	CHECK VALVE	1			300
881	592-35024-00	CHECK VALVE	1			300
884	592-35025-00	PLATE, CHECK VALVE	1			300
885	592-35033-00	PLATE, SEPERATOR	1			300
888	592-35030-01	PIPE	1			300
890	592-35022-00	CHOKE LEVER	1			300
892	592-35023-01	CHOKE PLATE	1			300
894	021-30699-90	GASKET	1			300
895	024-01399-70	O RING	1			300
896	024-01599-90	O RING	1			300
900	525-75003-00	GROMMET	1			300
910	004-36051-00	SCREW AY	1			300
915	592-35035-00	GASKET, SEPERATOR	1			300

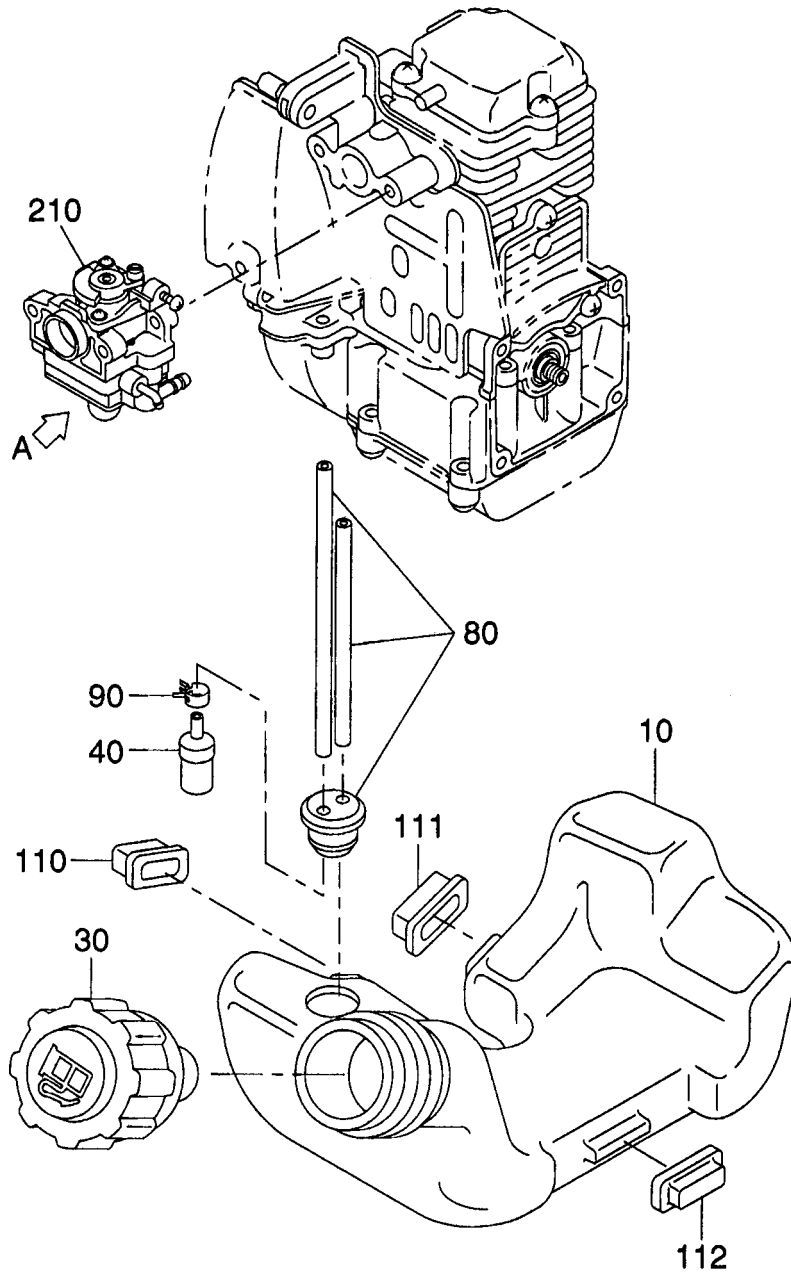
SECTION 4 COOLING and STARTING GROUP

FIG. 400



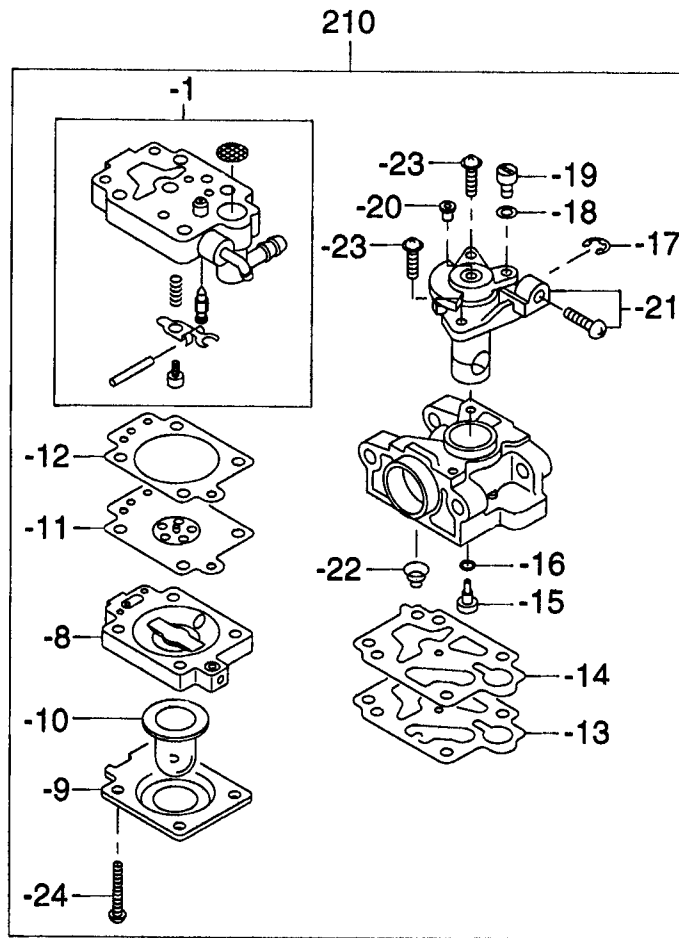
SECTION 5 FUEL LUBRICANT GROUP

FIG. 500



SECTION 5 FUEL LUBRICANT GROUP

FIG. 510



SECTION 6 ELECTRIC DEVICE GROUP

FIG. 600

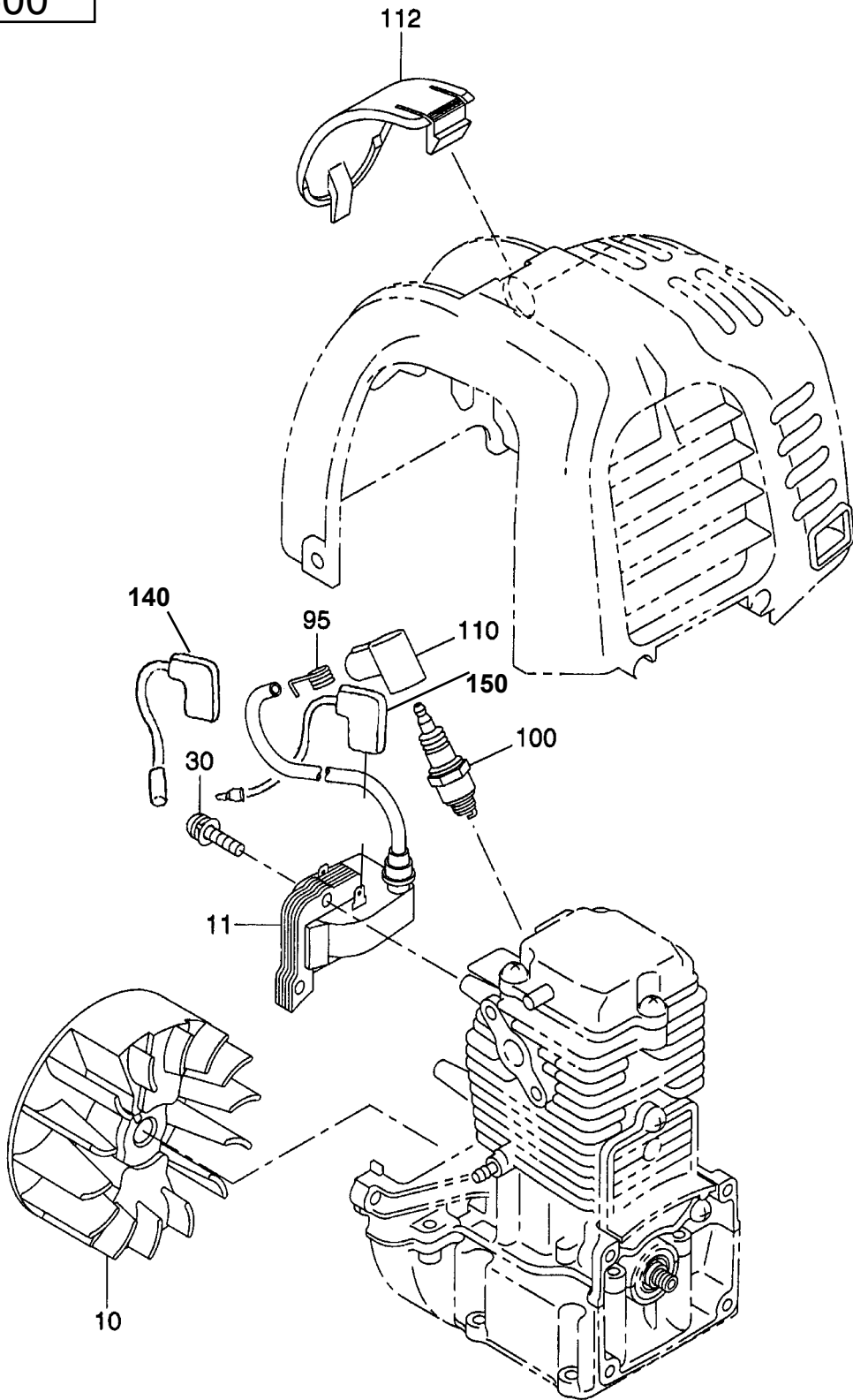
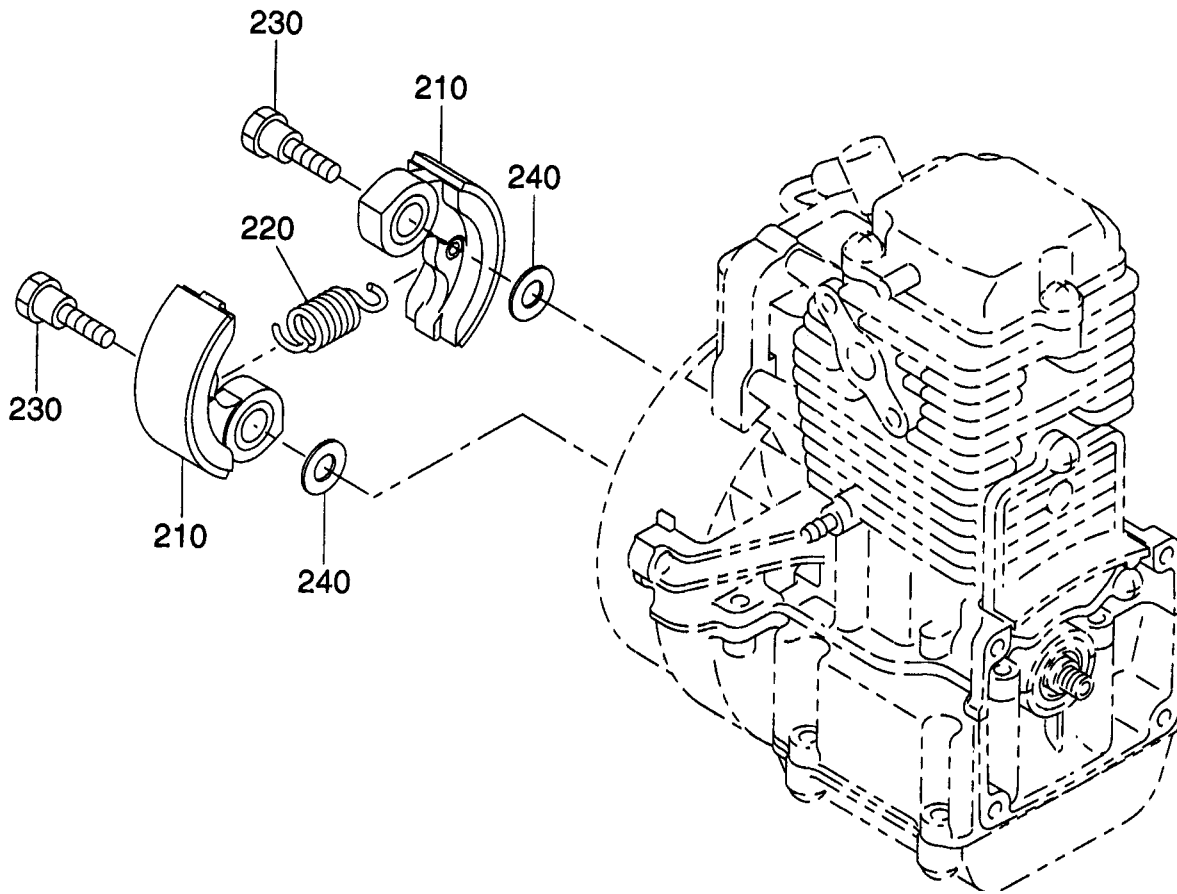
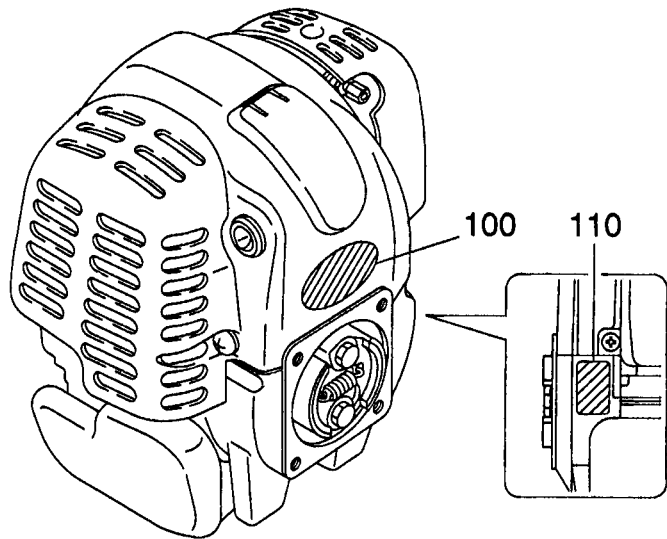
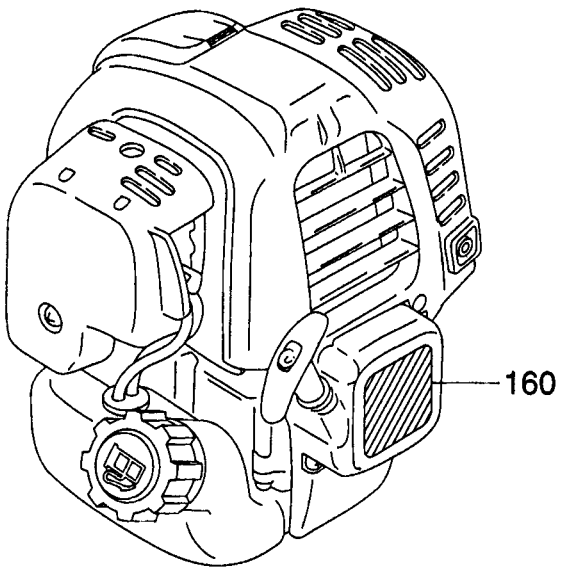
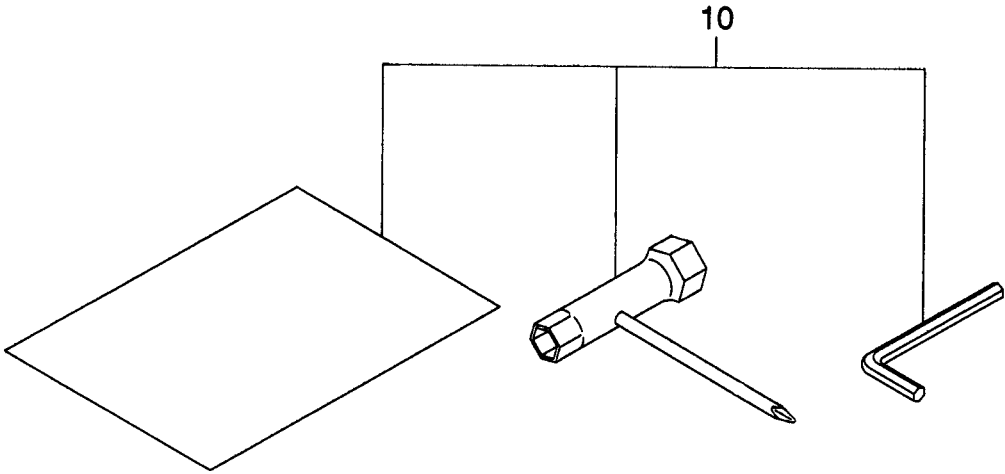


FIG. 700



SECTION 8 ACCESSORY GROUP

FIG. 800



PRINTED IN THE USA