

PARTS MANUAL

Models

**EH41, EH36
ENGINES**

PUB-EP5728
Rev. 09/01

Robin America, Inc.

940 Lively Blvd. • Wood Dale, IL 60191 • Phone: 630-350-8200 • Fax: 630-350-8212
e-mail: sales@robinamerica.com • www.robinamerica.com

© Copyright 2001 Robin America, Inc.

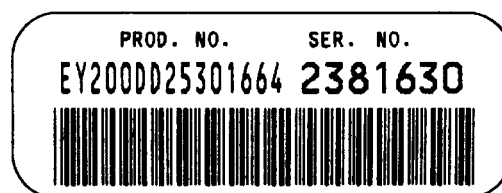
HOW TO USE THIS MANUAL

Robin engines are identified by MODEL, SPECIFICATION, and CODE NUMBER. For each model there may be many different versions called specifications. Each specification will be unique in some way. The difference may only be the paint color or it may have a different type of PTO or some other significant difference.

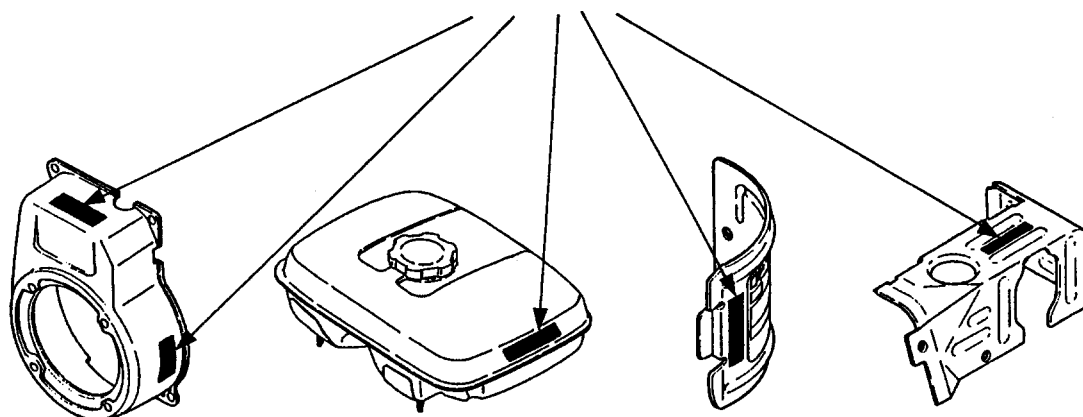
In order to identify the correct service part number, it is important to confirm the specification and code numbers for your engine. The specification and code number together are known as the PRODUCT NUMBER.

All Robin 4 cycle engines have a Product Number label similar to the label illustrated below.

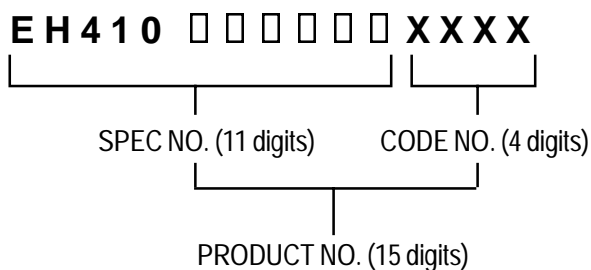
PRODUCT NUMBER LABEL



PRODUCT NUMBER LABEL LOCATIONS



The Product Number Label has a 15 digit alphanumeric string that consists of the SPECIFICATION (SPEC) number (11 digits) and the CODE number (4 digits). Please note the illustration below:



MANUAL LAYOUT

1 SECTION 6 FUEL GROUP

2 FIG. 600

4

3

1 SECTION 6 FUEL GROUP

3

5

4

| REF. | PART NO. | DESCRIPTION | QTY | REMARKS | FROM-TO | FIG. |
|------|--------------|------------------|-----|--------------------|---------|------|
| 10 | 267-60103-01 | FUEL TANK CP | 1 | YD, YS TYPE, BLACK | | 600 |
| | 267-60101-01 | FUEL TANK CP | 1 | YELLOW | | 600 |
| 27 | 073-20039-00 | LABEL, WARNING | 1 | YD, YS TYPE | | 600 |
| 30 | 043-04300-15 | FUEL TANK CAP CP | 1 | | | 600 |
| 31 | 267-95201-03 | LABEL, EMISSION | 1 | YD, YS TYPE | | 600 |
| 40 | 064-13600-10 | FUEL FILTER | 1 | | | 600 |
| 50 | 064-20021-01 | FUEL STRAINER AY | 1 | | | 600 |
| -1 | 064-20002-20 | FILTER | 1 | | | 600 |
| -2 | 064-20002-30 | GASKET | 1 | | | 600 |
| -3 | 064-20019-10 | CUP | 1 | | | 600 |
| -4 | 064-20003-20 | NUT | 1 | | | 600 |

6

7

9

2

8

1. SECTION NAME Parts are broadly classified according to their functions. Refer to the Group Index (table of contents) for respective section name.
2. FIG. No. The FIG. number indexes the reference and part numbers to the illustration. Figure numbers that vary only in the tens place (i.e.: 700 and 710) are in a group of the same section (i.e.: Electrical Device Group).
3. REF. No . The Reference number identifies the part illustration with the corresponding part number in the part list.
4. SUBASSEMBLY SUBASSEMBLY parts of part assembly are listed below the assembly part. The subassembly part reference number is indicated by the number led by "-" such as "-1", "-2".
5. PART NUMBER It is the number assigned for sales unit. Use the PART No. when making an order.
6. DESCRIPTION It is designation of the part.
7. QTY. Quantity of each part used for each product.
8. REMARKS This gives a distinctive feature and/or a supplementary comment for the type, the specification, and the part concerned. It also shows part number(s) interchangeable for the part.
9. FROM-TO This section shows the CODE No. to indicate the history of progress in which improved parts have been introduced in the product. The FROM-TO CODE No. helps to identify PART No. being employed in the product concerned. See the examples below:
 - The part is used in the product irrespective of CODE No.
 - 2101- The part is used in the products with CODE No. of 2101 and after this number.
 - 2100 The part is used in the products with CODE No. of 2100 and before this number.

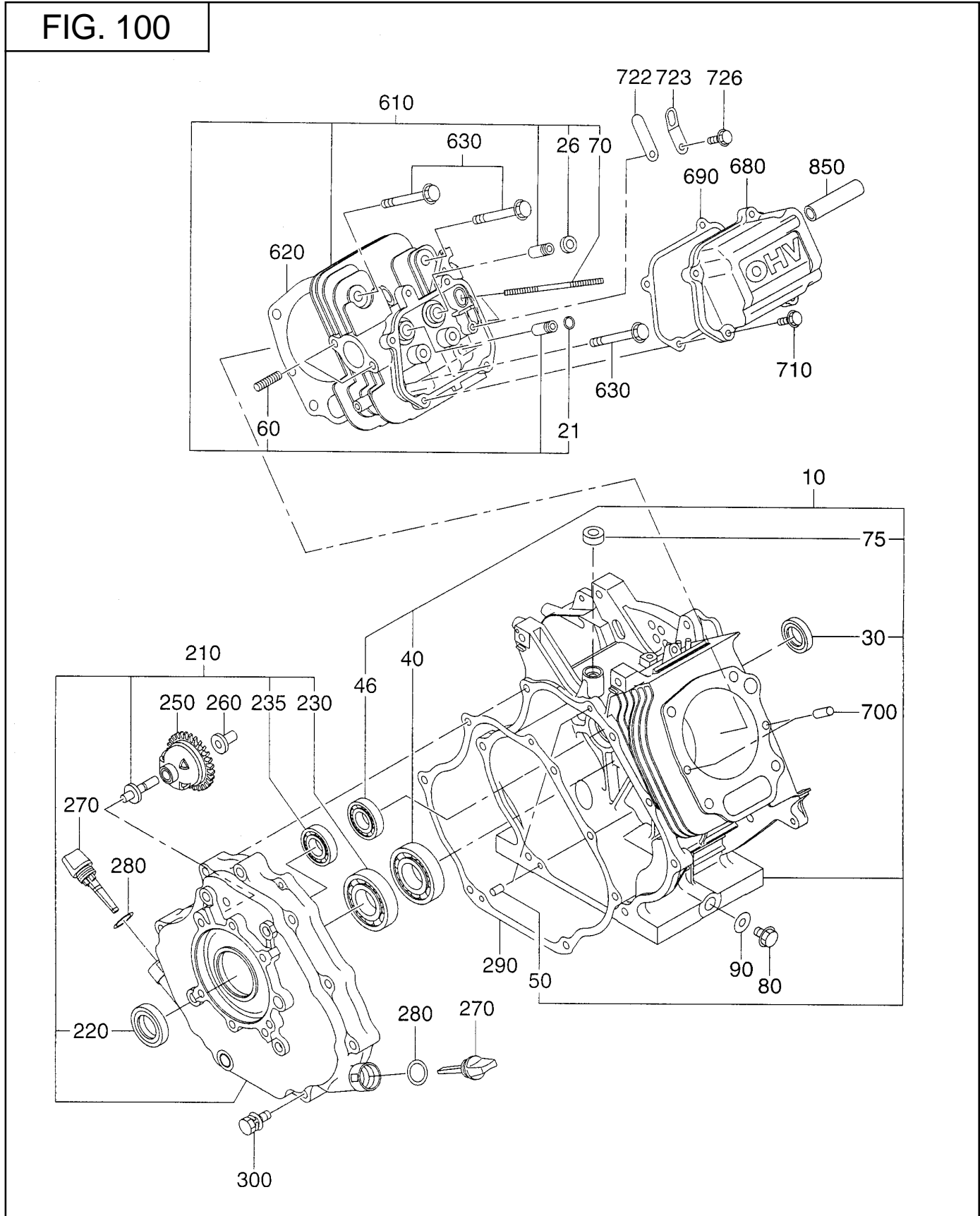
GROUP INDEX

| Group Name | Page |
|--|------|
| CRANKCASE GROUP | 6 |
| CRANKSHAFT GROUP | 8 |
| INTAKE and EXHAUST GROUP | 10 |
| GOVERNOR GROUP | 16 |
| COOLING and STARTING GROUP | 18 |
| FUEL GROUP | 20 |
| ELECTRIC DEVICE GROUP - RECOIL START | 26 |
| ELECTRIC DEVICE GROUP - ELECTRIC START | 28 |
| ELECTRIC DEVICE GROUP - ELECTRIC STARTER | 30 |
| ELECTRIC DEVICE GROUP - OIL SENSOR | 32 |
| SOLENOID GROUP | 34 |

| INDEX OF DESCRIPTION SYMBOLS | | | |
|------------------------------|---------------------|--------------------|-------------------|
| SYMBOL | DESCRIPTION | SYMBOL | DESCRIPTION |
| AY | ASSEMBLY | P= | PITCH (in mm) |
| CP | COMPLETE | P.T.O. (PTO) | POWER TAKE OFF |
| EX | EXPORT (from Japan) | REF. | REFERENCE |
| FIG. | FIGURE | R.H. (RH) | RIGHT HAND SIDE |
| FR. | FRONT | RR. | REAR |
| " | INCH | STD. | STANDARD |
| INCL. | INCLUDE | SW | SWITCH |
| -L | LITER | T= | THICKNESS (in mm) |
| L= | LENGTH (in. mm) | UN | UNIT |
| L.H. (LH) | LEFT-HAND SIDE | U.S. | UNDER SIZE |
| MECH | MECHANICAL | ~V | VOLTAGE |
| NO (NON) | NONE | ~W | WATT |
| OPT. | OPTIONAL | W/ | WITH |
| O.S. | OVER SIZE | W/O | WITHOUT |

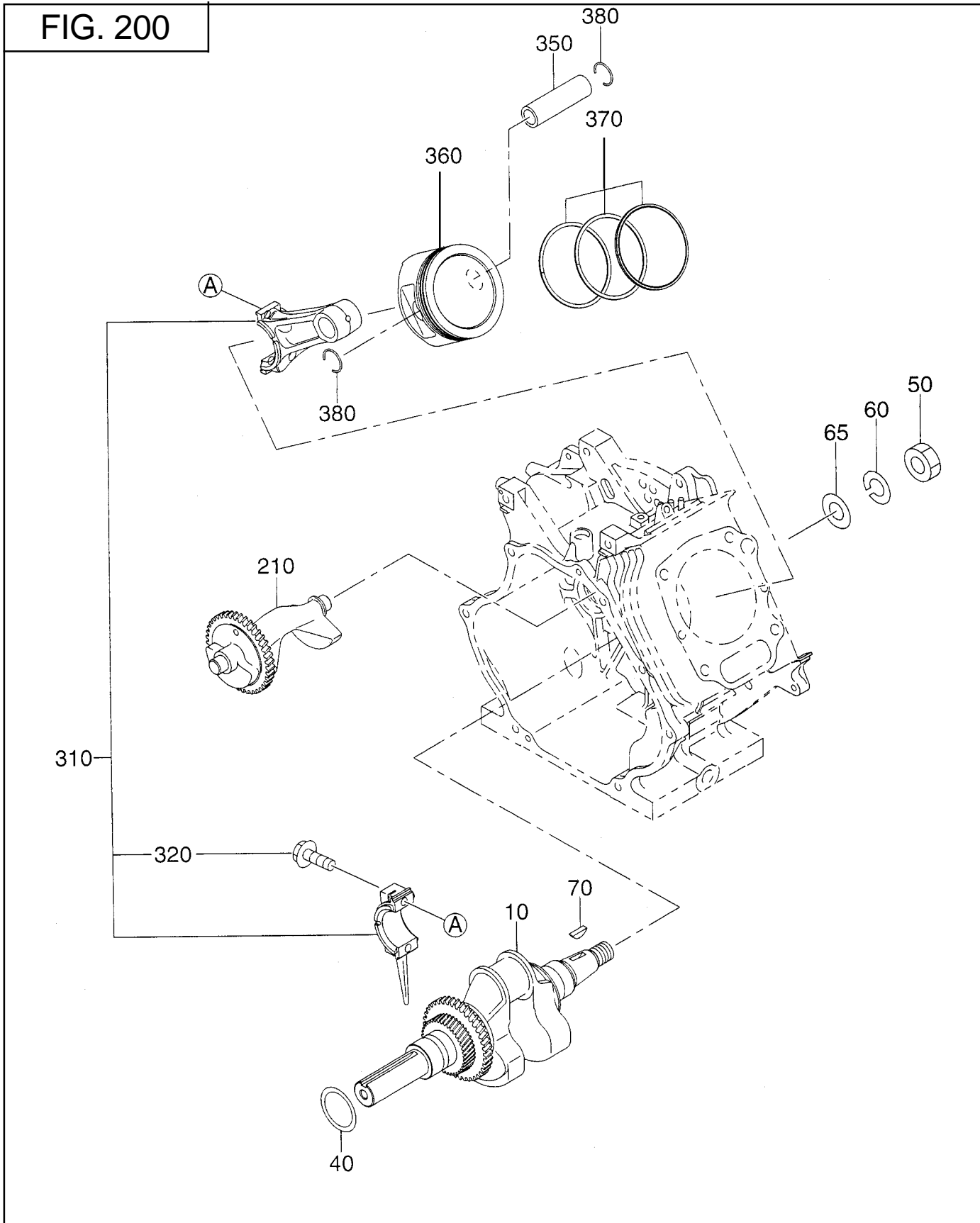
SECTION 1 CRANKCASE GROUP

FIG. 100



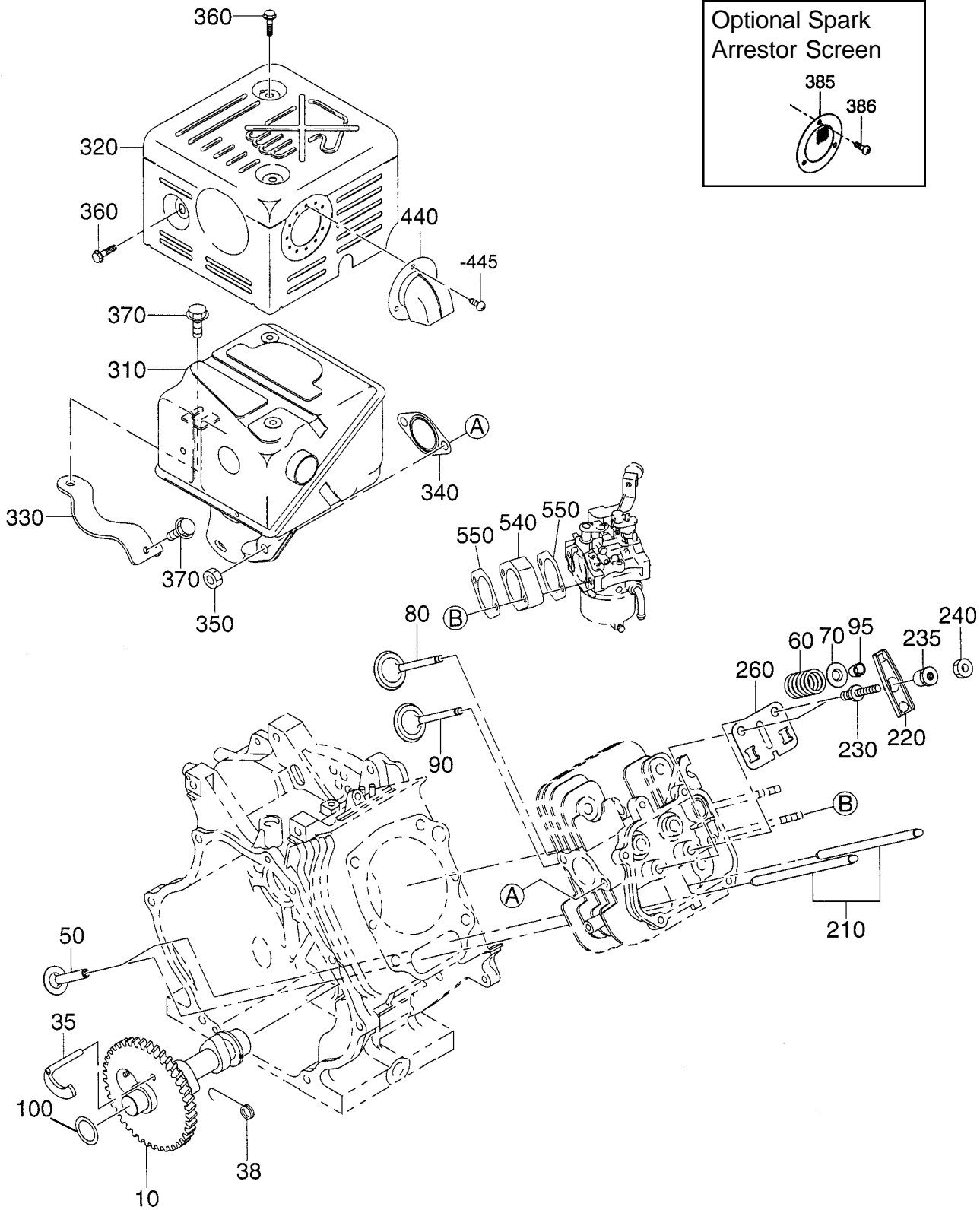
SECTION 2 CRANKSHAFT GROUP

FIG. 200



SECTION 3 INTAKE and EXHAUST GROUP

FIG. 300



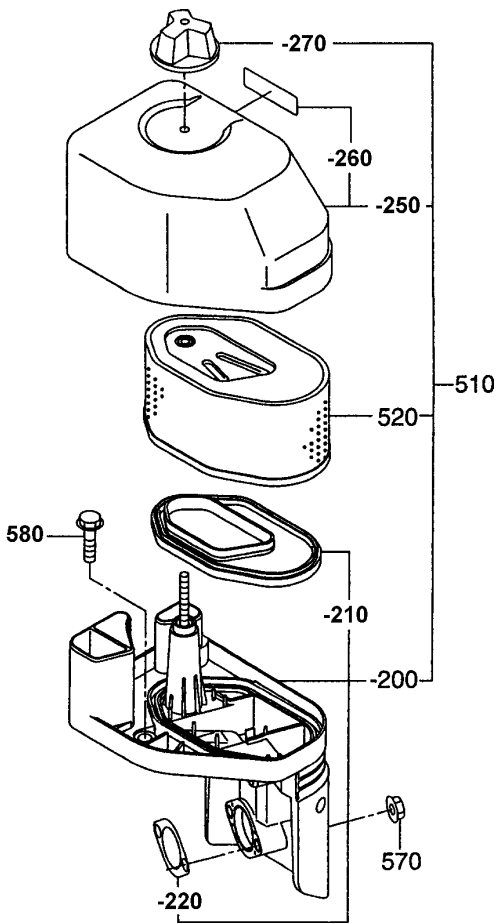
SECTION 3 INTAKE and EXHAUST GROUP

| REF. | PART NO. | DESCRIPTION | QTY. | REMARKS | FROM-TO | FIG. |
|------|--------------|--------------------|------|----------------------|---------|------|
| 10 | 267-31A01-01 | CAMSHAFT CP | 1 | EH41 | | 300 |
| | 267-31B01-01 | CAMSHAFT CP | 1 | EH36 | | 300 |
| 35 | 246-36201-11 | RELEASE LEVER CP | 1 | | | 300 |
| 38 | 246-36701-03 | RETURN SPRING | 1 | | | 300 |
| 50 | 239-33301-13 | TAPPET | 2 | | | 300 |
| 60 | 246-33611-03 | VALVE SPRING | 2 | | | 300 |
| 70 | 246-33711-03 | SPRING RETAINER | 2 | | | 300 |
| 80 | 263-33401-03 | INTAKE VALVE | 1 | | | 300 |
| 90 | 267-33501-03 | EXHAUST VALVE | 1 | | | 300 |
| 95 | 246-35501-03 | COLLET, VALVE | 4 | | | 300 |
| 100 | 023-02200-50 | SPACER T=0.6 | 1 | select 1 spacer only | | 300 |
| | 023-02200-60 | SPACER T=0.7 | 1 | select 1 spacer only | | 300 |
| | 023-02200-70 | SPACER T=0.8 | 1 | select 1 spacer only | | 300 |
| 210 | 267-35301-B1 | PUSH ROD CP | 2 | | | 300 |
| 220 | 267-36101-A3 | ROCKER ARM | 2 | | | 300 |
| 230 | 261-35801-13 | BOLT, PILOT | 2 | i/w 261-35801-03 | | 300 |
| 235 | 261-35701-B3 | PIVOT | 2 | | | 300 |
| 240 | 017-00601-10 | NUT | 2 | | | 300 |
| 260 | 267-36501-A3 | GUIDE PLATE | 1 | | | 300 |
| 310 | 267-30101-02 | MUFFLER UN | 1 | | | 300 |
| 320 | 267-34201-01 | MUFFLER COVER CP | 1 | | | 300 |
| 330 | 267-37001-01 | MUFFLER BRACKET CP | 1 | | | 300 |
| 340 | 246-35201-03 | GASKET, MUFFLER | 1 | | | 300 |
| 350 | 017-00800-30 | NUT | 2 | | | 300 |
| 360 | 015-20601-10 | TAPPING SCREW | 5 | | | 300 |
| 370 | 001-04081-60 | FLANGE BOLT | 2 | | | 300 |
| 385 | 267-37101-02 | SCREEN | 1 | spark arrestor | | 300 |
| 386 | 015-00400-60 | TAPPING SCREW | 3 | for spark arrestor | | 300 |
| 440 | 246-37001-07 | DEFLECTOR AY | 1 | | | 300 |
| -445 | 015-00400-60 | TAPPING SCREW | 3 | | | 300 |
| 550 | 267-32901-03 | INSULATOR | 1 | | | 300 |
| 560 | 267-35901-A3 | GASKET, INSULATOR | 2 | | | 300 |
| | | | | | | |
| | | | | | | |
| | | | | | | |
| | | | | | | |
| | | | | | | |
| | | | | | | |
| | | | | | | |
| | | | | | | |
| | | | | | | |
| | | | | | | |
| | | | | | | |
| | | | | | | |
| | | | | | | |
| | | | | | | |
| | | | | | | |
| | | | | | | |
| | | | | | | |

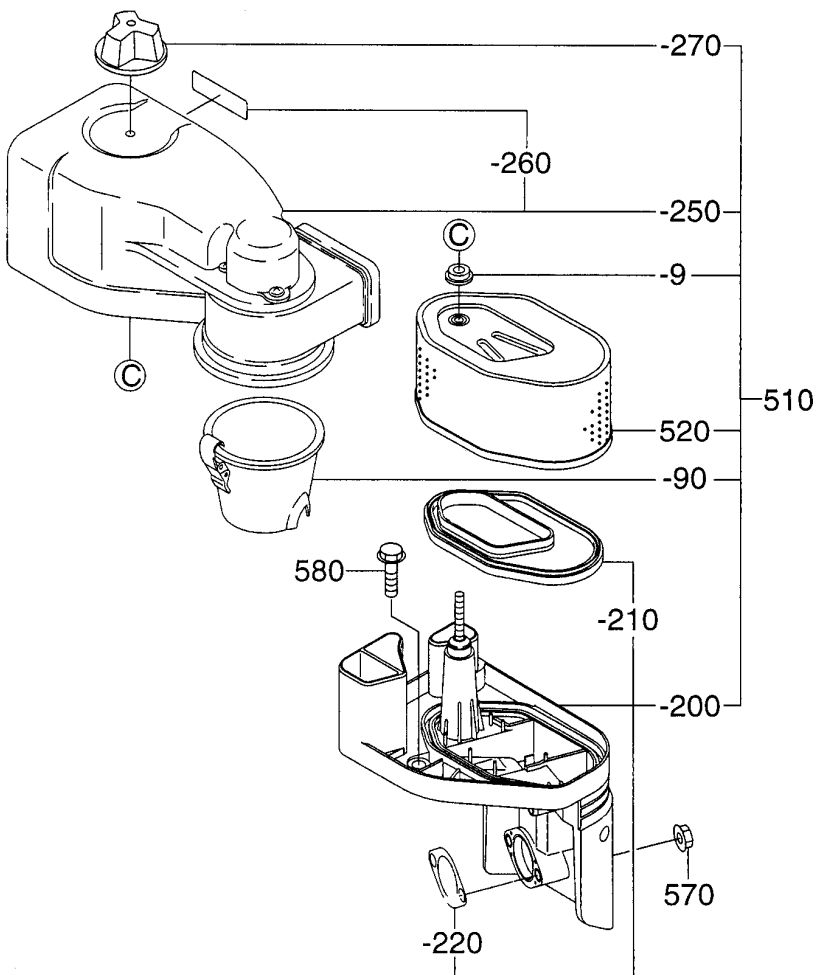
SECTION 3 INTAKE and EXHAUST GROUP

FIG. 310

(A) Standard Type

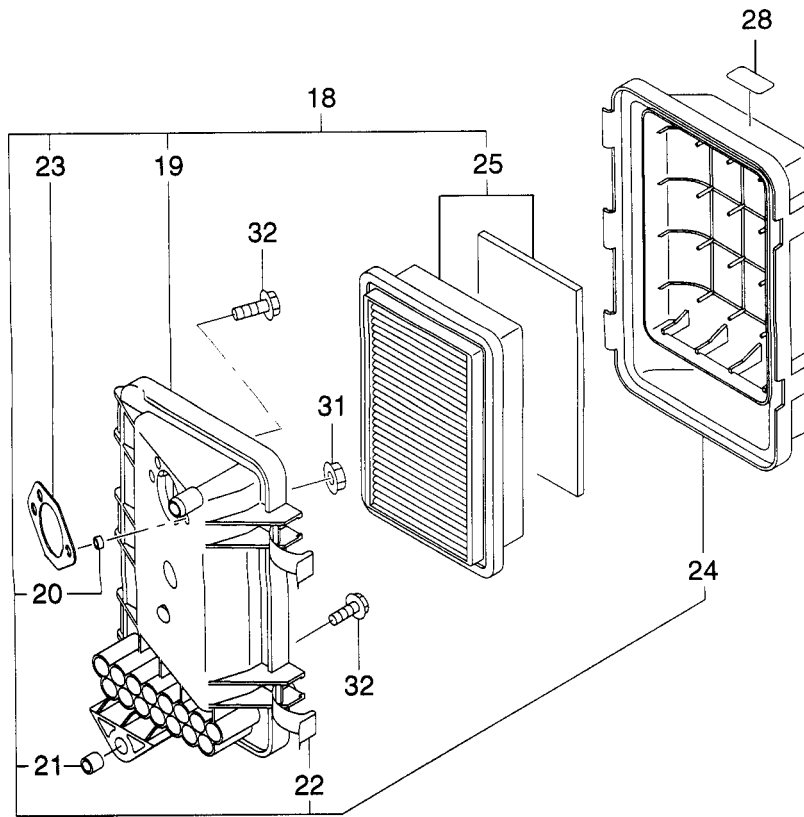


(B) Cyclone with Debris cup



SECTION 3 INTAKE and EXHAUST GROUP - for RGV7500

FIG. 320

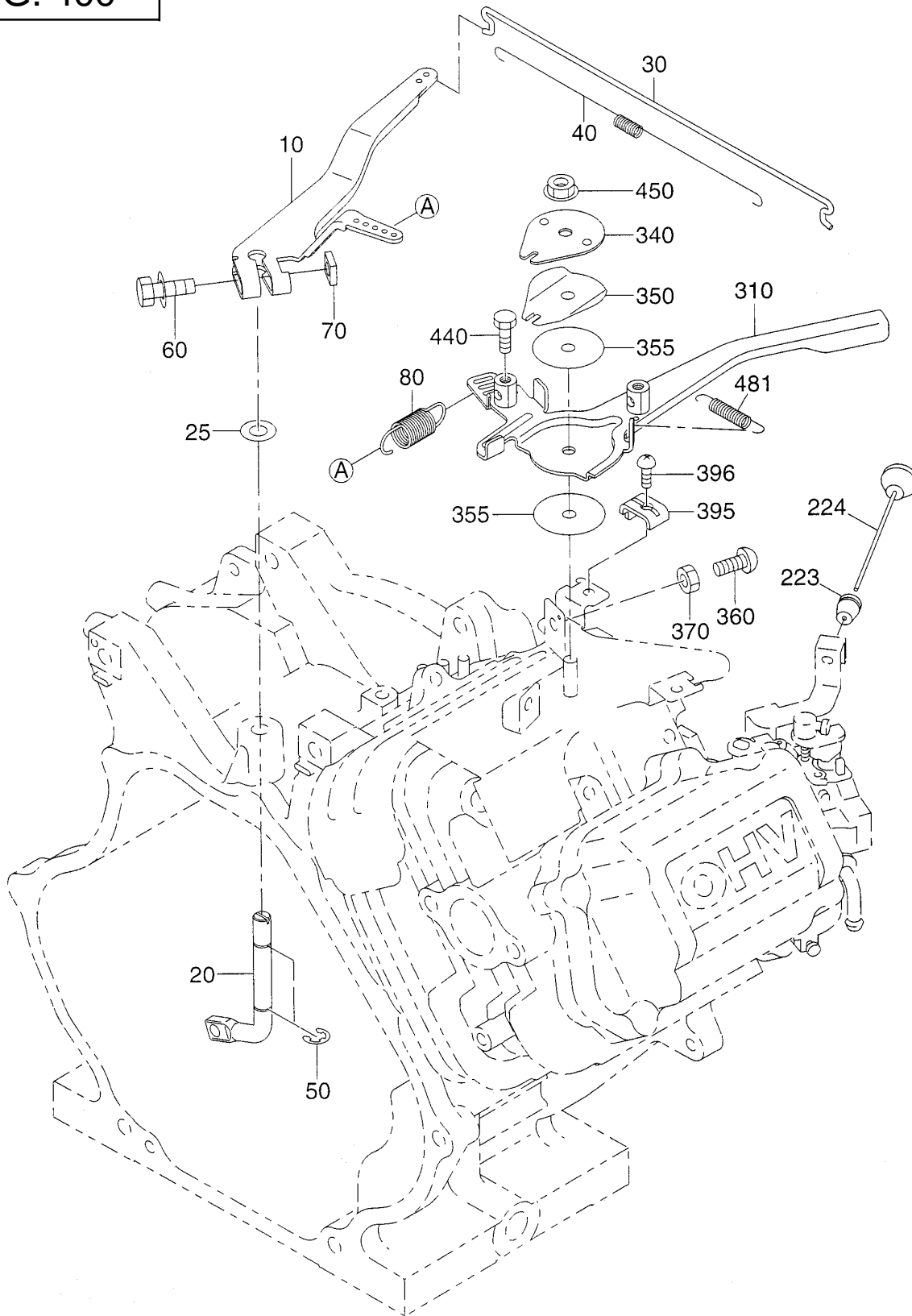


SECTION 3 INTAKE and EXHAUST GROUP - for RGV7500

| REF. | PART NO. | DESCRIPTION | QTY. | REMARKS | FROM-TO | FIG. |
|------|--------------|----------------|------|---------------------------|---------|------|
| 18 | 267-32608-20 | AIR CLEANER AY | 1 | Includes items 19 thru 25 | | 320 |
| 19 | 267-32622-18 | CLEANER BODY | 1 | | | 320 |
| 20 | 267-32680-08 | COLLAR | 3 | | | 320 |
| 21 | 267-32681-08 | SPACER | 1 | | | 320 |
| 22 | 267-32682-08 | CLIP | 2 | | | 320 |
| 23 | 267-32721-08 | GASKET | 1 | | | 320 |
| 24 | 267-32640-08 | CLEANER COVER | 1 | | | 320 |
| 25 | 267-32661-18 | ELEMENT AY | 1 | | | 320 |
| 28 | 073-20044-30 | LABEL, choke | 1 | | | 320 |
| 31 | 002-38060-00 | FLANGE NUT | 2 | | | 320 |
| 32 | 001-04061-60 | FLANGE BOLT | 2 | M6 X 16mm | | 320 |
| | | | | | | |
| | | | | | | |
| | | | | | | |
| | | | | | | |
| | | | | | | |
| | | | | | | |
| | | | | | | |
| | | | | | | |
| | | | | | | |
| | | | | | | |
| | | | | | | |
| | | | | | | |
| | | | | | | |
| | | | | | | |
| | | | | | | |
| | | | | | | |
| | | | | | | |
| | | | | | | |
| | | | | | | |
| | | | | | | |
| | | | | | | |
| | | | | | | |
| | | | | | | |
| | | | | | | |
| | | | | | | |
| | | | | | | |
| | | | | | | |
| | | | | | | |
| | | | | | | |
| | | | | | | |
| | | | | | | |
| | | | | | | |
| | | | | | | |
| | | | | | | |
| | | | | | | |
| | | | | | | |

SECTION 4 GOVERNOR GROUP

FIG. 400

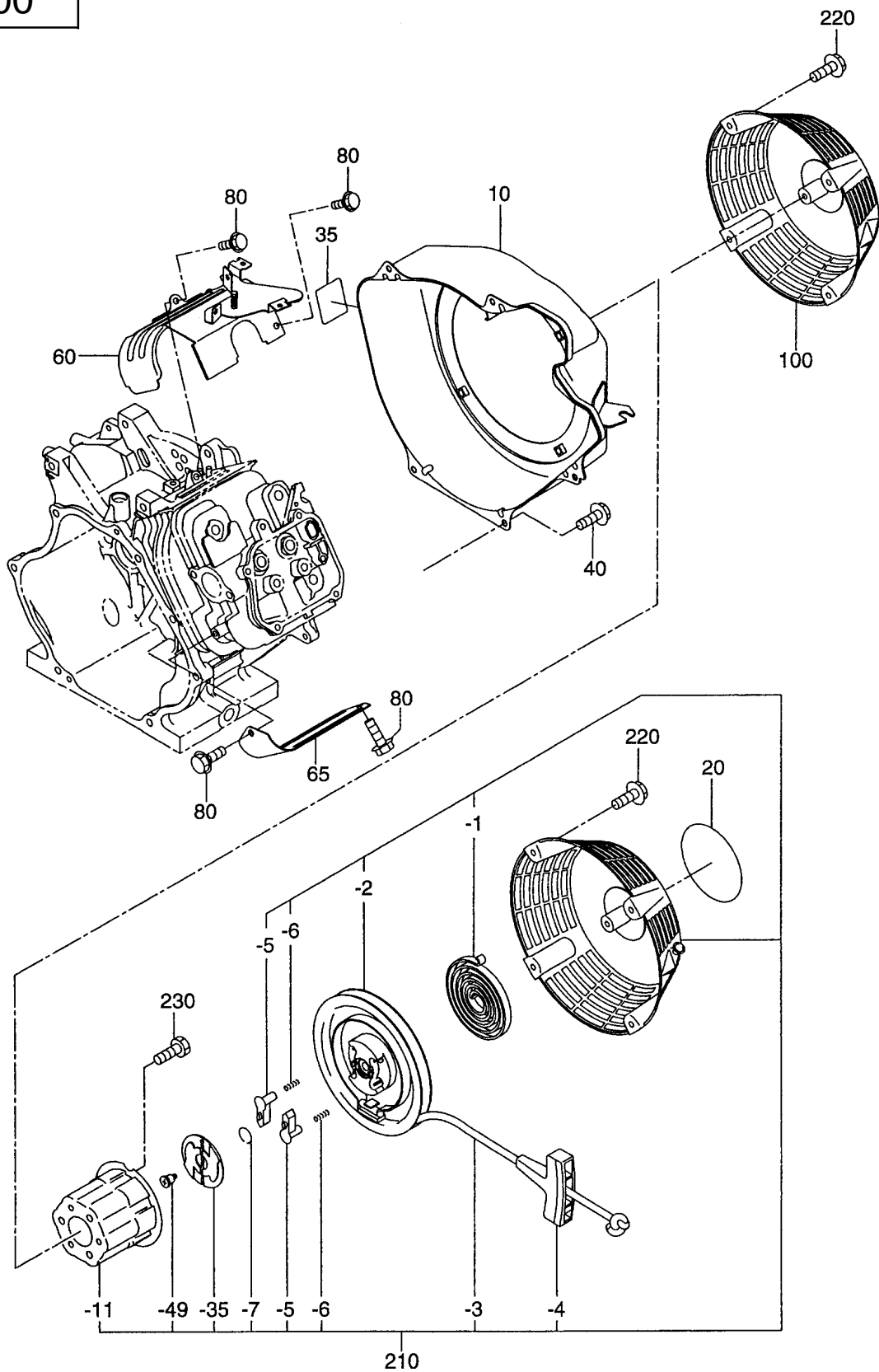


SECTION 4 GOVERNOR GROUP

| REF. | PART NO. | DESCRIPTION | QTY. | REMARKS | FROM-TO | FIG. |
|-------------|-----------------|------------------------|-------------|----------------|----------------|-------------|
| 10 | 267-42301-03 | GOVERNOR LEVER | 1 | | | 400 |
| 20 | 267-42201-03 | GOVERNOR SHAFT | 1 | | | 400 |
| 25 | 003-11080-00 | WASHER | 1 | | | 400 |
| 30 | 267-42701-01 | GOVERNOR ROD CP | 1 | | | 400 |
| 40 | 267-42801-13 | ROD SPRING | 1 | | | 400 |
| 50 | 003-13060-00 | CLIP | 2 | | | 400 |
| 60 | 001-14063-00 | BOLT and WASHER AY | 1 | | | 400 |
| 70 | 018-60600-20 | NUT | 1 | | | 400 |
| 80 | 267-42501-03 | GOVERNOR SPRING | 1 | | | 400 |
| 223 | 024-10200-10 | GROMMET | 1 | | | 400 |
| 224 | 246-45006-01 | KNOB CP | 1 | | | 400 |
| 310 | 267-43302-01 | SPEED CONTROL LEVER CP | 1 | | | 400 |
| 340 | 227-43501-13 | STOP PLATE | 1 | | | 400 |
| 350 | 227-45002-03 | SPRING WASHER | 1 | | | 400 |
| 355 | 021-70600-60 | FRICITION WASHER | 2 | | | 400 |
| 360 | 004-31061-80 | SCREW, panhead | 1 | | | 400 |
| 370 | 002-27060-00 | NUT | 1 | | | 400 |
| 395 | 235-43901-13 | CLAMP | 1 | | | 400 |
| 396 | 004-36051-60 | SCREW and WASHER AY | 1 | | | 400 |
| 440 | 011-60400-30 | BOLT | 1 | | | 400 |
| 450 | 017-60600-20 | SELF LOCK NUT | 1 | | | 400 |
| 481 | 267-45101-03 | RETURN SPRING | 1 | | | 400 |
| | | | | | | |
| | | | | | | |
| | | | | | | |
| | | | | | | |
| | | | | | | |
| | | | | | | |
| | | | | | | |
| | | | | | | |
| | | | | | | |
| | | | | | | |
| | | | | | | |
| | | | | | | |
| | | | | | | |
| | | | | | | |
| | | | | | | |
| | | | | | | |
| | | | | | | |
| | | | | | | |
| | | | | | | |
| | | | | | | |
| | | | | | | |
| | | | | | | |
| | | | | | | |

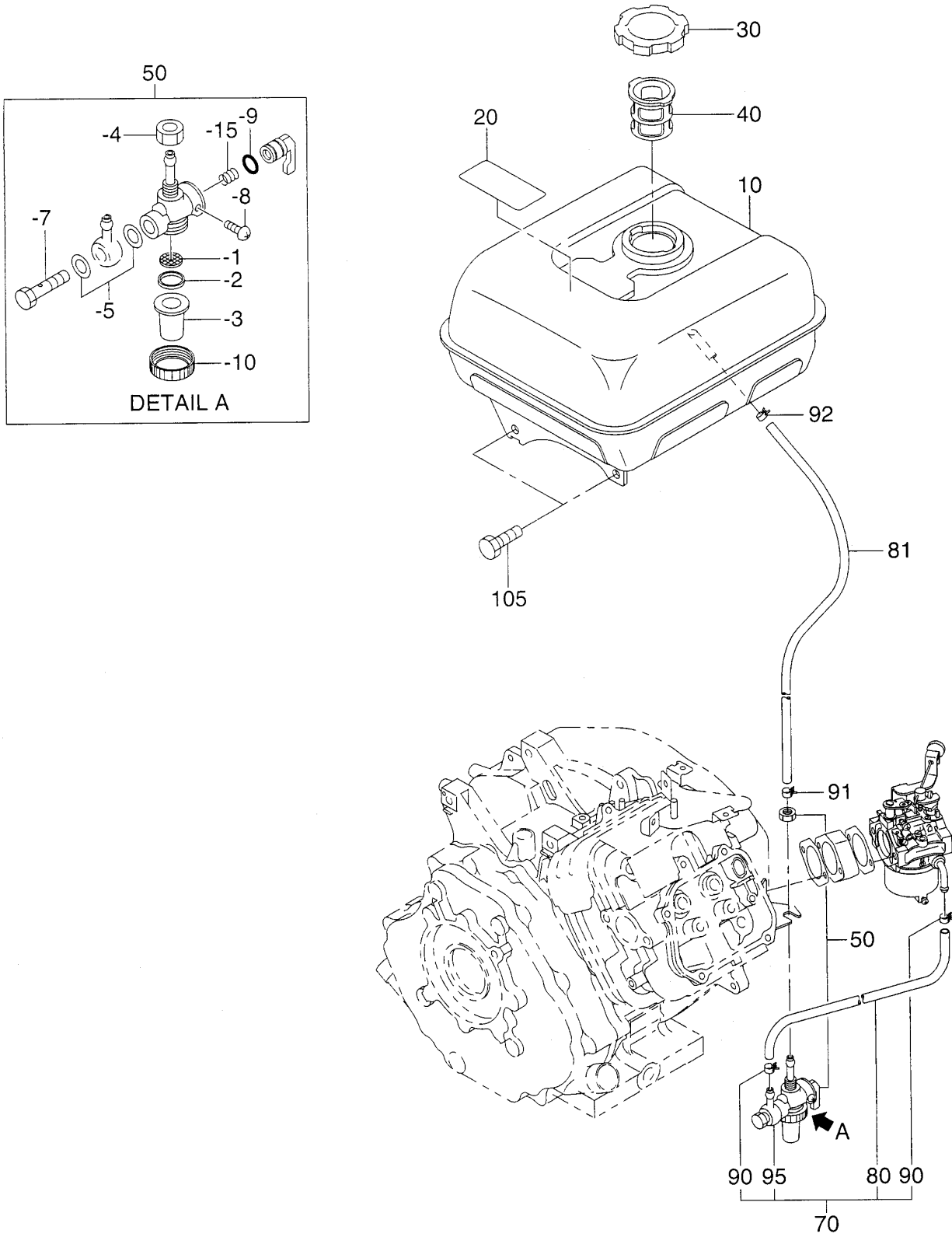
SECTION 5 COOLING and STARTING GROUP

FIG. 500



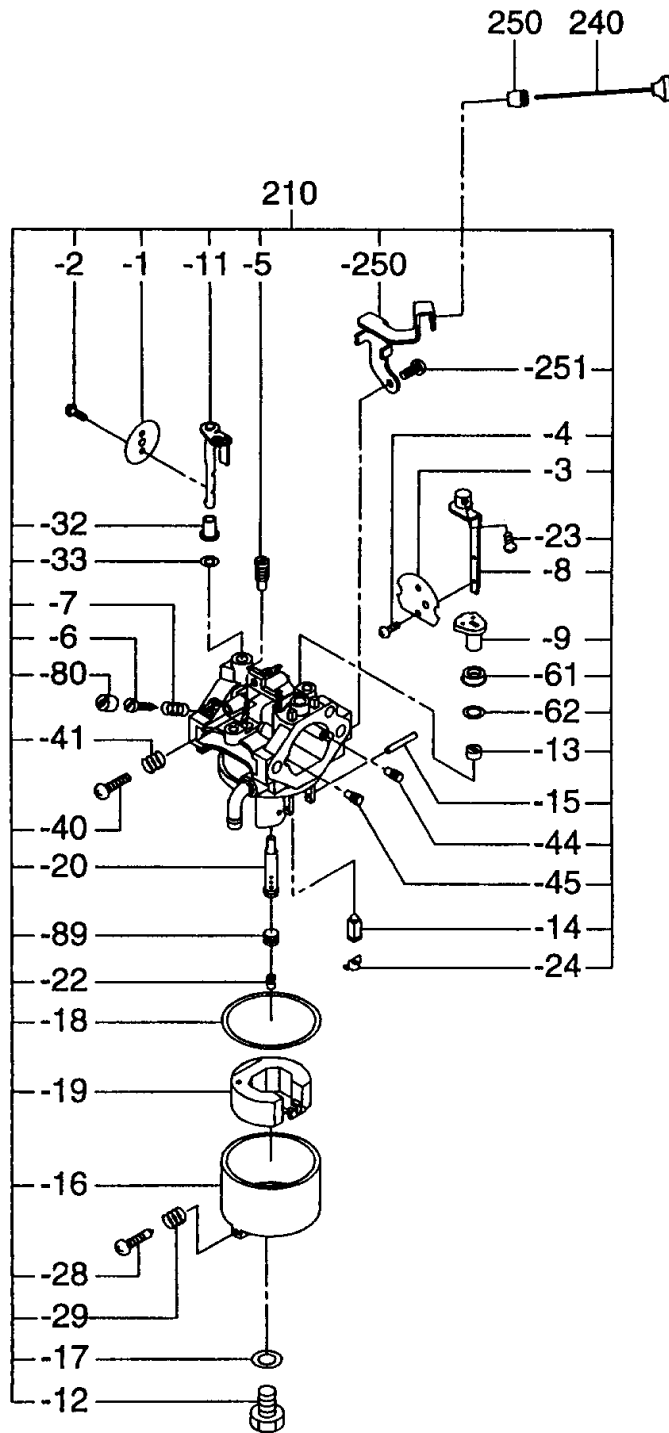
SECTION 6 FUEL GROUP

FIG. 600



SECTION 6 FUEL GROUP

FIG. 610

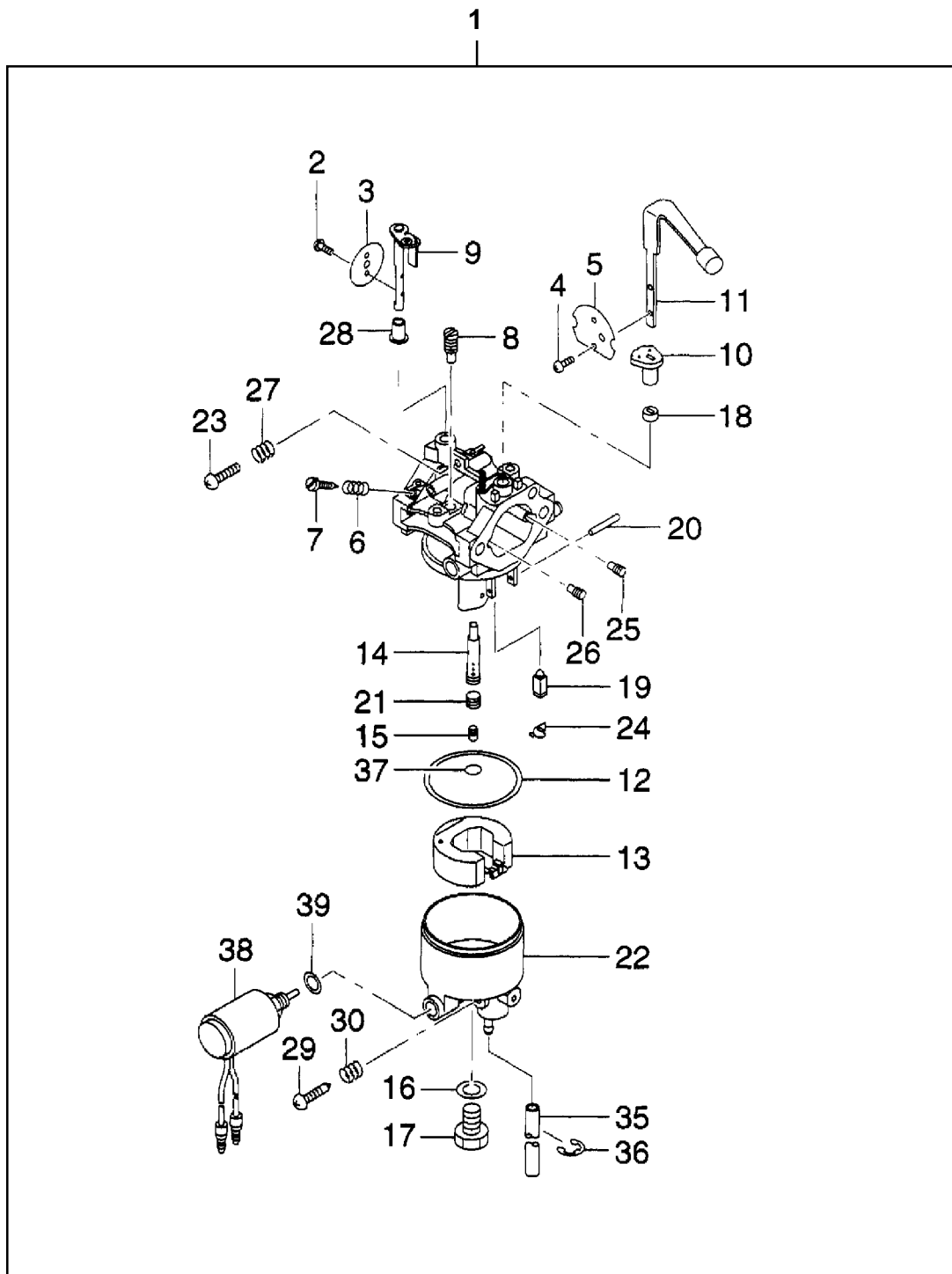


SECTION 6 FUEL GROUP

| REF. | PART NO. | DESCRIPTION | QTY. | REMARKS | FROM-TO | FIG. |
|------|--------------|--------------------|------|------------------|---------|------|
| 210 | 267-62302-10 | CARBURETOR AY | 1 | EH41 | | 610 |
| 210 | 266-62302-00 | CARBURETOR AY | 1 | EH36 | | 610 |
| -1 | 267-62535-08 | THROTTLE VALVE | 1 | EH41 | | |
| | 266-62535-08 | THROTTLE VALVE | 1 | EH36 | | 610 |
| -2 | 209-62351-08 | SCREW | 2 | | | 610 |
| -3 | 267-62525-08 | CHOKE VALVE | 1 | | | 610 |
| -4 | 237-62451-08 | SCREW | 2 | | | 610 |
| -5 | 227-62422-08 | PILOT JET | 1 | | | 610 |
| -6 | 246-62436-08 | ADJUSTER | 1 | | | 610 |
| -7 | 206-62446-08 | SPRING | 1 | | | 610 |
| -8 | 267-62520-08 | CHOKE LEVER | 1 | | | 610 |
| -9 | 239-62560-08 | RING, CHOKE | 1 | | | 610 |
| -11 | 267-62531-08 | THROTTLE SHAFT | 1 | EH41 | | 610 |
| | 266-62531-08 | THROTTLE SHAFT | 1 | EH36 | | 610 |
| -12 | 150-62358-08 | BOLT | 1 | | | 610 |
| -13 | 226-62550-08 | RING | 1 | | | 610 |
| -14 | 224-62312-18 | NEEDLE VALVE AY | 1 | | | 610 |
| -15 | 214-62515-08 | PIN | 1 | | | 610 |
| -16 | 234-62552-08 | FLOAT CHAMBER BODY | 1 | | | 610 |
| -17 | 207-62345-08 | PACKING | 1 | | | 610 |
| -18 | 206-62540-08 | PACKING, CHAMBER | 1 | | | 610 |
| -19 | 234-62506-08 | FLOAT AY | 1 | | | 610 |
| -20 | 267-62440-08 | MAIN NOZZLE | 1 | | | 610 |
| -22 | 267-62402-08 | MAIN JET | 1 | EH41 | | 610 |
| | 246-62403-08 | MAIN JET | 1 | EH36 | | 610 |
| -23 | 242-62323-08 | SCREW | 1 | | | 610 |
| -24 | 224-62569-18 | CLIP | 1 | | | 610 |
| -28 | 224-62452-08 | SCREW | 1 | | | 610 |
| -29 | 209-62445-08 | SPRING | 1 | | | 610 |
| -32 | 267-62450-08 | RING | 1 | | | 610 |
| -33 | 106-62392-18 | SEAL | 1 | i/w 106-62392-08 | | 610 |
| -40 | 224-62452-08 | ADJUST SCREW | 1 | | | 610 |
| -41 | 230-62446-08 | SPRING | 1 | | | 610 |
| -44 | 106-62411-08 | AIR JET | 1 | EH41 | | 610 |
| | 266-62410-08 | AIR JET | 1 | EH36 | | 610 |
| -45 | 246-62410-08 | AIR JET | 1 | | | 610 |
| -61 | 247-62550-08 | CAP | 1 | | | 610 |
| -62 | 236-62680-08 | SEAL | 1 | | | 610 |
| -80 | 246-62551-08 | CAP | 1 | | | 610 |
| -89 | 246-62425-08 | GUIDE HOLDER | 1 | | | 610 |
| -250 | 267-62451-08 | BRACKET | 1 | | | 610 |
| -251 | 267-62452-08 | SCREW | 1 | | | 610 |
| 240 | 246-45006-01 | KNOB CP | 1 | | | 610 |
| 250 | 207-32690-08 | GROMMET | 1 | | | 610 |
| | | | | | | |
| | | | | | | |
| | | | | | | |

SECTION 6 FUEL GROUP - for RGV7500

FIG. 620

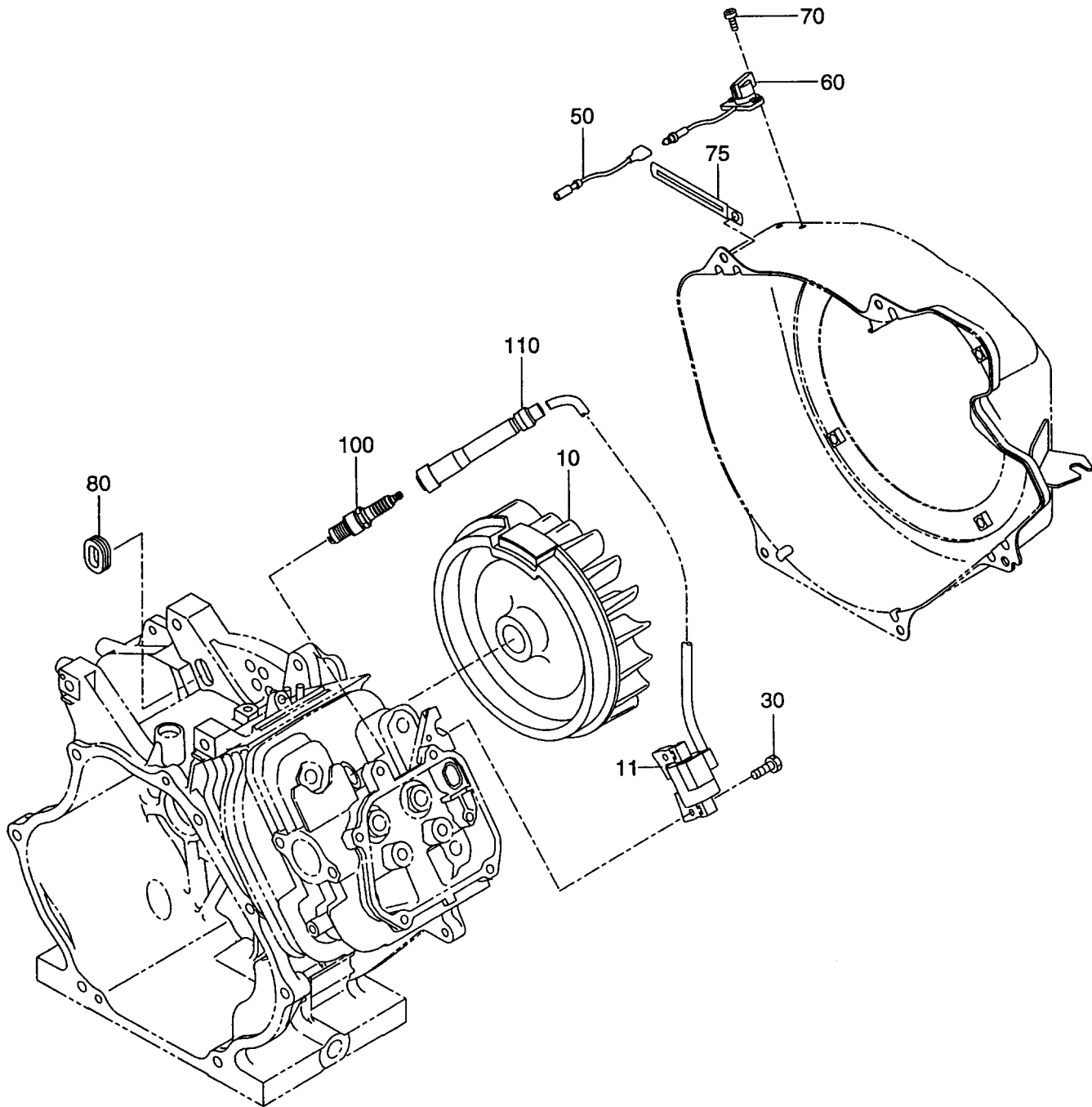


SECTION 6 FUEL GROUP - for RGV7500

| REF. | PART NO. | DESCRIPTION | QTY. | REMARKS | FROM-TO | FIG. |
|------|--------------|-------------------|------|----------------------------|---------|------|
| 1 | 267-62311-00 | CARBURETOR AY | 1 | Includes items 2-30, 35-39 | | 620 |
| 2 | 209-62351-08 | SCREW | 2 | | | 620 |
| 3 | 267-62535-08 | THROTTLE VALVE | 1 | | | 620 |
| 4 | 237-62451-08 | SCREW | 2 | | | 620 |
| 5 | 267-62526-08 | CHOKER VALVE | 1 | | | 620 |
| 6 | 206-62446-08 | SPRING | 1 | | | 620 |
| 7 | 237-62435-08 | ADJUSTER | 1 | | | 620 |
| 8 | 209-62420-08 | PILOT JET #50 | 1 | | | 620 |
| 9 | 267-62530-08 | THROTTLE SHAFT AY | 1 | | | 620 |
| 10 | 234-62550-08 | RING | 1 | | | 620 |
| 11 | 267-62521-08 | CHOKER LEVER AY | 1 | | | 620 |
| 12 | 206-62540-08 | PACKING | 1 | | | 620 |
| 13 | 234-62506-08 | FLOAT AY | 1 | | | 620 |
| 14 | 267-62440-08 | MAIN NOZZLE | 1 | | | 620 |
| 15 | 266-62401-08 | MAIN JET #97.5 | 1 | | | 620 |
| 16 | 248-62451-08 | WASHER | 1 | | | 620 |
| 17 | 150-62358-08 | BOLT | 1 | | | 620 |
| 18 | 226-62550-08 | RING | 1 | | | 620 |
| 19 | 224-62312-18 | NEEDLE VALVE | 1 | | | 620 |
| 20 | 214-62515-08 | PIN | 1 | | | 620 |
| 21 | 248-62425-08 | JET HOLDER | 1 | | | 620 |
| 22 | 267-62550-08 | FLOAT BODY AY | 1 | | | 620 |
| 23 | 224-62452-08 | SCREW | 1 | | | 620 |
| 24 | 224-62569-18 | CLIP | 1 | | | 620 |
| 25 | 106-62411-08 | AIR JET | 1 | | | 620 |
| 26 | 246-62410-08 | AIR JET | 1 | | | 620 |
| 27 | 230-62446-08 | SPRING | 1 | | | 620 |
| 28 | 267-62450-08 | RING | 1 | | | 620 |
| 29 | 214-62454-08 | ADJUST SCREW | 1 | | | 620 |
| 30 | 205-62447-08 | SPRING | 1 | | | 620 |
| 35 | 267-62571-08 | HOSE | 1 | | | 620 |
| 36 | 138-62354-08 | CLIP | 1 | | | 620 |
| 37 | 242-62313-08 | O RING | 1 | | | 620 |
| 38 | 247-62561-08 | SOLENOID AY | 1 | | | 620 |
| 39 | 247-62565-08 | WASHER | 1 | | | 620 |
| | | | | | | |
| | | | | | | |
| | | | | | | |
| | | | | | | |
| | | | | | | |
| | | | | | | |
| | | | | | | |
| | | | | | | |
| | | | | | | |
| | | | | | | |
| | | | | | | |
| | | | | | | |

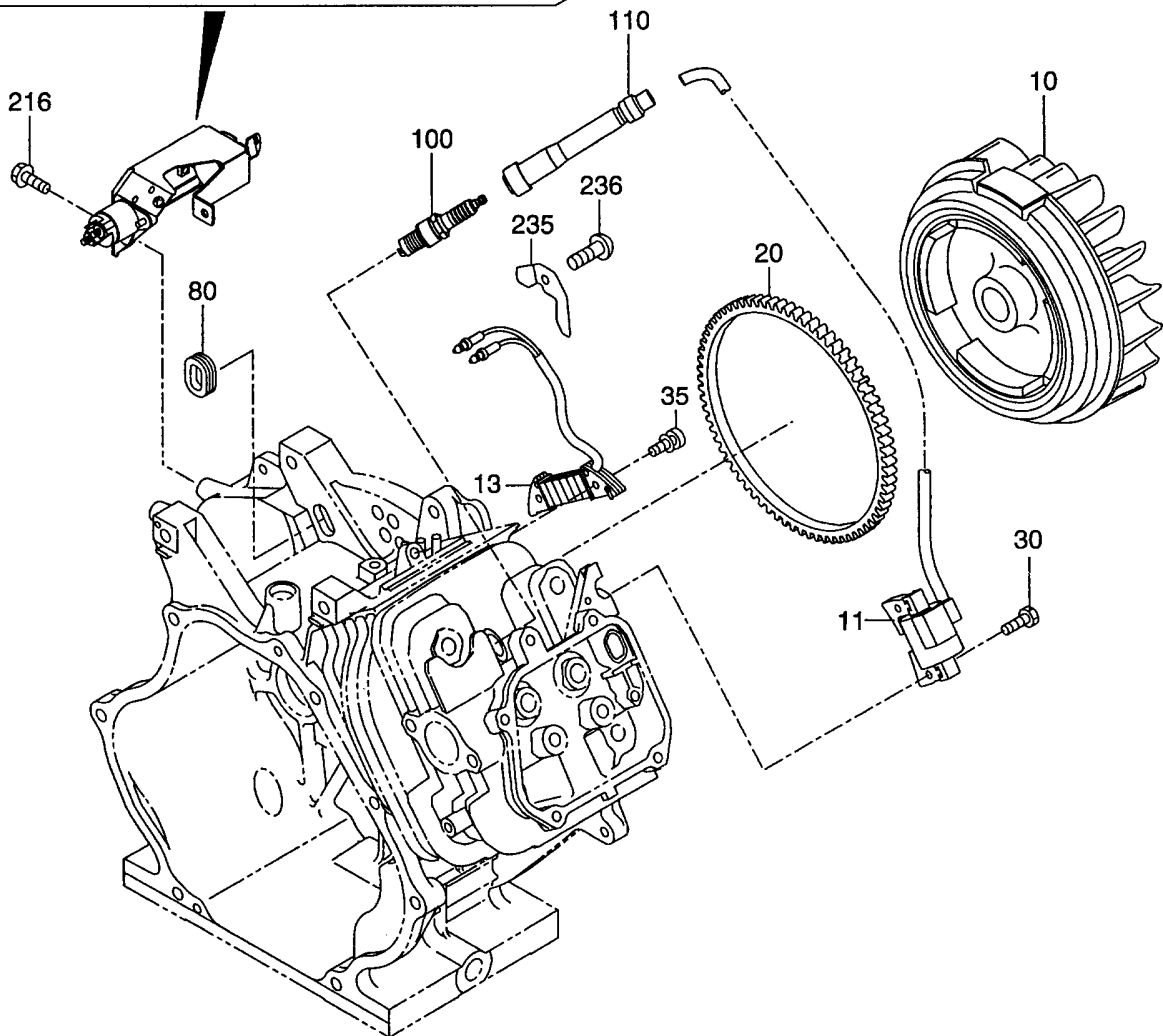
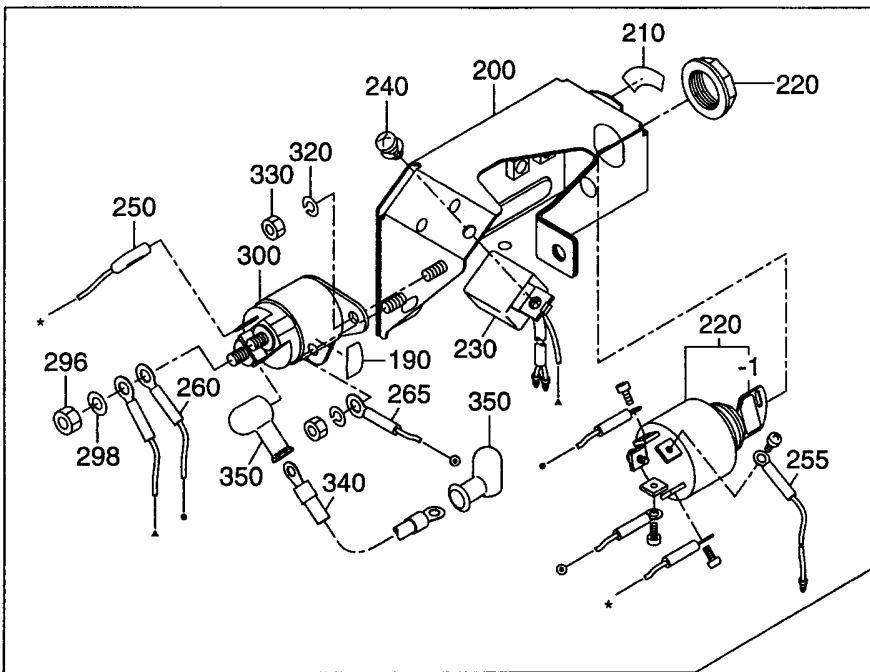
SECTION 7A ELECTRIC DEVICE GROUP - RECOIL START

FIG. 700



SECTION 7B ELECTRIC DEVICE GROUP - ELECTRIC START

FIG. 710

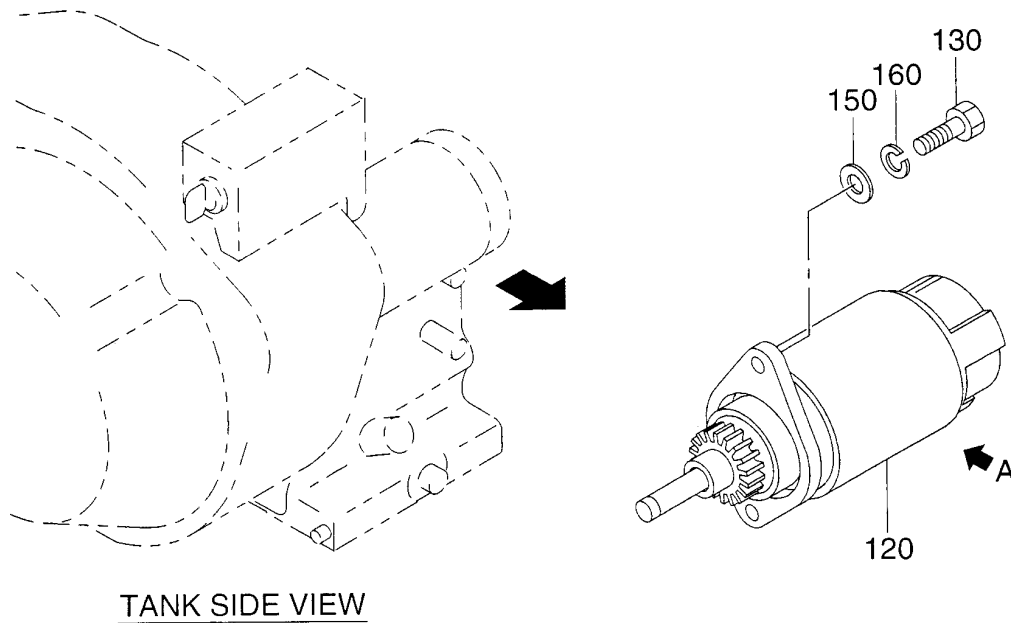
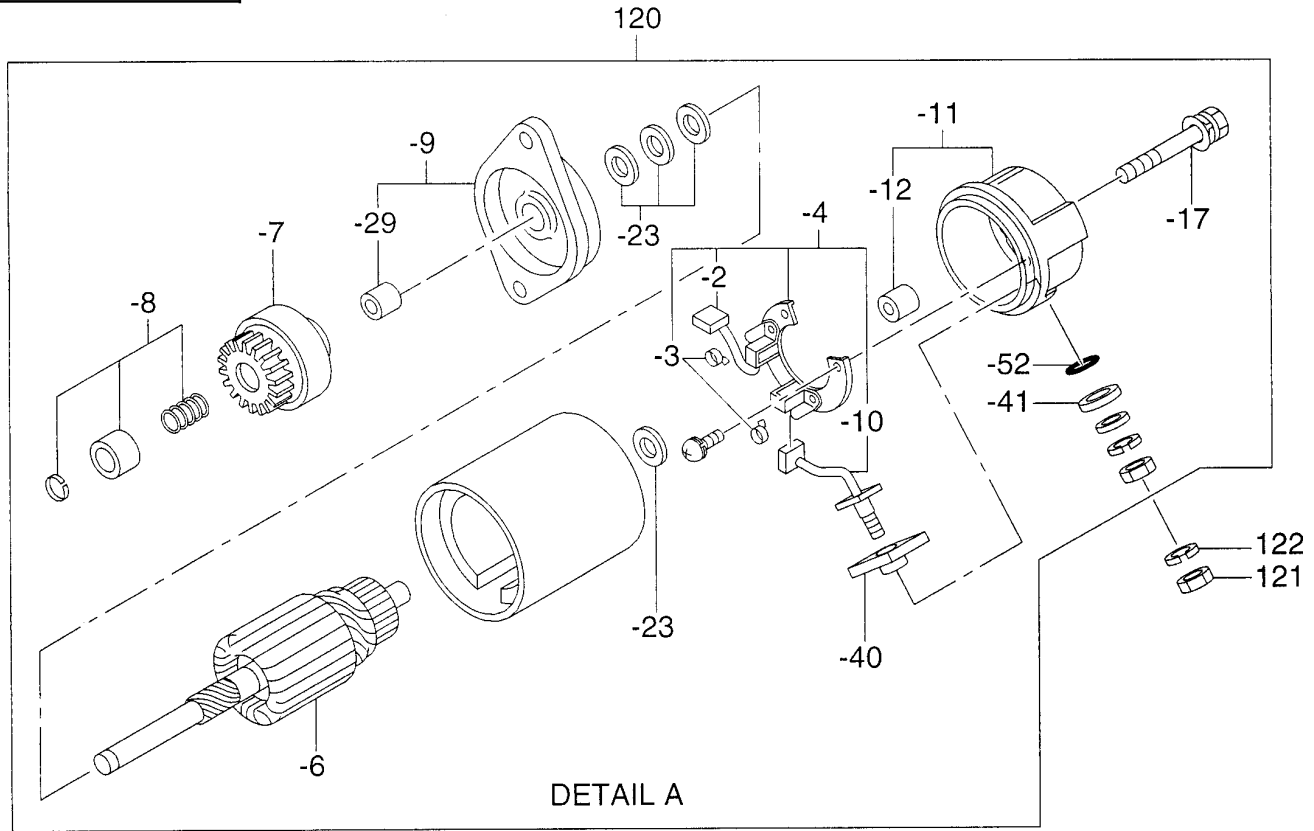


SECTION 7B ELECTRIC DEVICE GROUP - ELECTRIC START

| REF. | PART NO. | DESCRIPTION | QTY. | REMARKS | FROM-TO | FIG. |
|------|--------------|-----------------------|------|---------------------|---------|------|
| 10 | 267-79202-01 | FLYWHEEL CP | 1 | electric start type | | 710 |
| 11 | 267-79401-01 | IGNITION COIL CP | 1 | | | 710 |
| 13 | 246-79301-01 | CHARGE COIL CP | 1 | | | 710 |
| 20 | 267-71002-03 | RING GEAR | 1 | | | 710 |
| 30 | 001-14062-50 | BOLT AND WASHER AY | 2 | | | 710 |
| 35 | 004-35062-00 | SCREW AND WASHER AY | 2 | | | 710 |
| 80 | 226-75501-03 | GROMMET | 1 | | | 710 |
| 100 | 065-01403-00 | SPARK PLUG | 1 | NGK BP6ES | | 710 |
| | 065-01404-80 | SPARK PLUG | 1 | NGK BPR6ES | | 710 |
| 110 | 065-50002-30 | SPARK PLUG CAP | 1 | | | 710 |
| 190 | 073-20044-80 | LABEL, BATTERY | 1 | | | 710 |
| 200 | 267-75101-01 | CONTROL BOX CP | 1 | | | 710 |
| 210 | 073-20044-60 | LABEL, STARTER SWITCH | 1 | | | 710 |
| 216 | 011-00600-20 | FLANGE BOLT | 1 | | | 710 |
| 220 | 066-00003-30 | SWITCH | 1 | | | 710 |
| -1 | 066-00099-80 | KEY | 1 | | | 710 |
| 230 | 232-71401-01 | DIODE RECTIFIER CP | 1 | | | 710 |
| 235 | 246-75502-01 | CLAMP CP | 1 | | | 710 |
| 236 | 004-31060-80 | SCREW, PANHEAD | 1 | | | 710 |
| 240 | 004-35061-00 | SCREW AND WASHER AY | 1 | | | 710 |
| 250 | 267-73102-01 | WIRE 2 CP | 1 | | | 710 |
| 255 | 224-73102-01 | WIRE 3 CP | 1 | | | 710 |
| 260 | 232-73105-01 | WIRE 5 CP | 1 | | | 710 |
| 265 | 209-73210-01 | WIRE 10 CP | 1 | | | 710 |
| 296 | 002-27060-00 | NUT | 2 | | | 710 |
| 298 | 003-20060-00 | SPRING WASHER | 2 | | | 710 |
| 300 | 066-10000-10 | MAGNETIC SWITCH | 1 | | | 710 |
| 320 | 003-20050-00 | SPRING WASHER | 2 | | | 710 |
| 330 | 002-17050-00 | NUT | 2 | | | 710 |
| 340 | 224-73201-01 | WIRE 20 CP | 1 | | | 710 |
| 350 | 214-78501-03 | WIRE CASING | 2 | | | 710 |
| | | | | | | |
| | | | | | | |
| | | | | | | |
| | | | | | | |
| | | | | | | |
| | | | | | | |
| | | | | | | |
| | | | | | | |
| | | | | | | |
| | | | | | | |
| | | | | | | |
| | | | | | | |
| | | | | | | |
| | | | | | | |
| | | | | | | |
| | | | | | | |
| | | | | | | |

SECTION 7C ELECTRIC DEVICE GROUP - ELECTRIC STARTER

FIG. 720

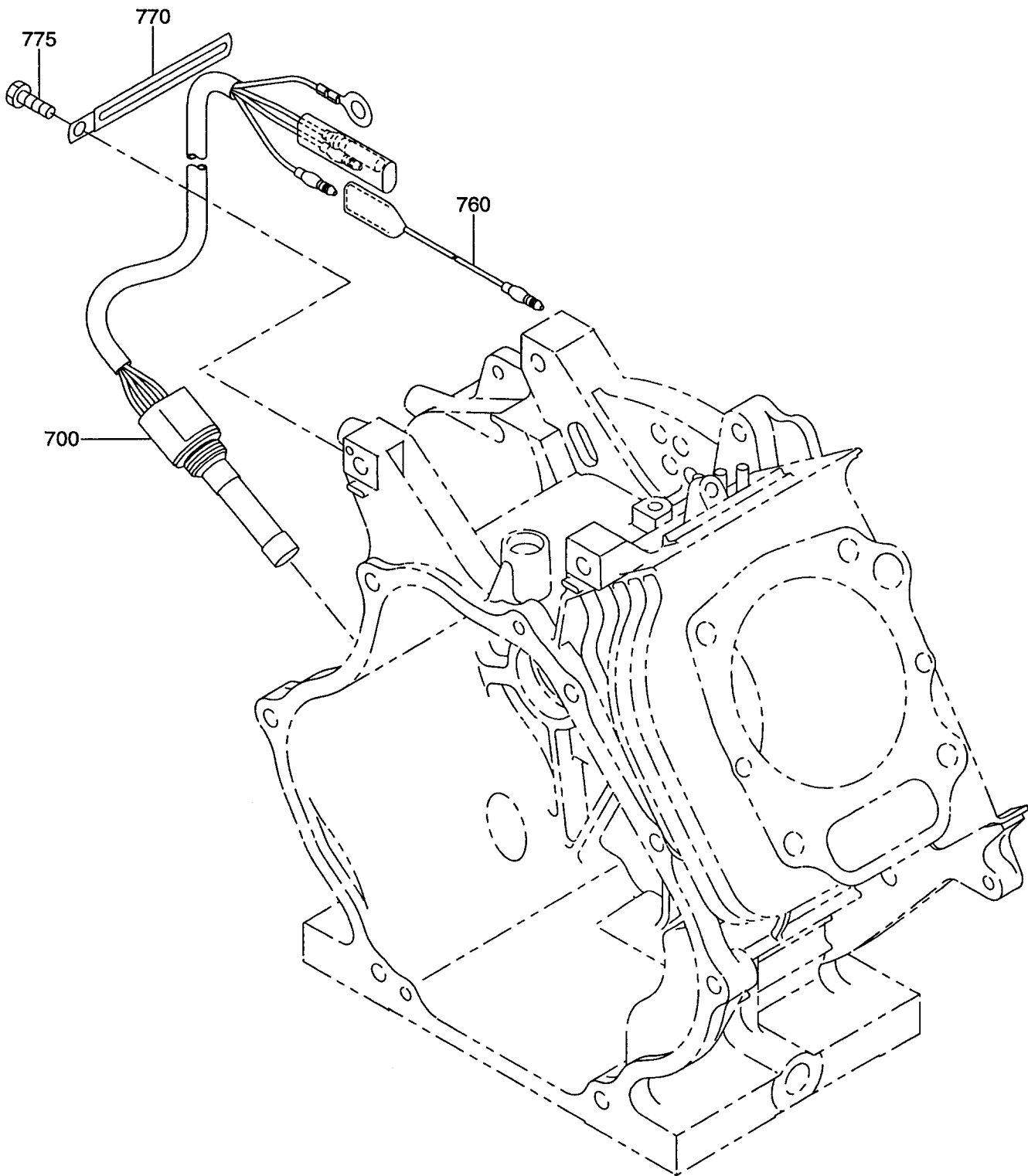


SECTION 7C ELECTRIC DEVICE GROUP - ELECTRIC STARTER

| REF. | PART NO. | DESCRIPTION | QTY. | REMARKS | FROM-TO | FIG. |
|------|--------------|--------------------|------|---------|---------|------|
| 120 | 224-70502-00 | STARTING MOTOR AY | 1 | | | 720 |
| -2 | 235-70535-08 | BRUSH (+) | 1 | | | 720 |
| -3 | 235-70545-08 | SPRING (Brush) | 2 | | | 720 |
| -4 | 235-70530-08 | HOLDER AY (Brush) | 1 | | | 720 |
| -6 | 235-70550-08 | ARMATURE AY | 1 | | | 720 |
| -7 | 224-70551-08 | PINION AY | 1 | | | 720 |
| -8 | 224-70553-08 | STOPPER SET PINION | 1 | | | 720 |
| -9 | 246-70500-08 | FRONT COVER AY | 1 | | | 720 |
| -10 | 235-70540-08 | BRUSH (-) | 1 | | | 720 |
| -11 | 246-70505-08 | REAR COVER AY | 1 | | | 720 |
| -12 | 113-70510-08 | CASE METAL | 1 | | | 720 |
| -17 | 235-70575-08 | THROUGH BOLT | 2 | | | 720 |
| -23 | 235-70555-08 | WASHER KIT | 1 | | | 720 |
| -29 | 214-70560-08 | FRONT METAL | 1 | | | 720 |
| -40 | 235-70565-08 | M BUSH (1) | 1 | | | 720 |
| -41 | 235-70566-08 | M BUSH (2) | 1 | | | 720 |
| -52 | 246-70580-08 | O RING | 1 | | | 720 |
| 121 | 002-27060-00 | NUT | 1 | | | 720 |
| 122 | 003-2006-00 | SPRING WASHER | 1 | | | 720 |
| 130 | 214-79007-01 | BOLT CP, Starter | 2 | | | 720 |
| 150 | 003-10080-00 | WASHER | 2 | | | 720 |
| 160 | 003-20080-00 | SPRING WASHER | 2 | | | 720 |
| | | | | | | |
| | | | | | | |
| | | | | | | |
| | | | | | | |
| | | | | | | |
| | | | | | | |
| | | | | | | |
| | | | | | | |
| | | | | | | |
| | | | | | | |
| | | | | | | |
| | | | | | | |
| | | | | | | |
| | | | | | | |
| | | | | | | |
| | | | | | | |
| | | | | | | |
| | | | | | | |
| | | | | | | |
| | | | | | | |
| | | | | | | |
| | | | | | | |
| | | | | | | |
| | | | | | | |
| | | | | | | |
| | | | | | | |
| | | | | | | |
| | | | | | | |

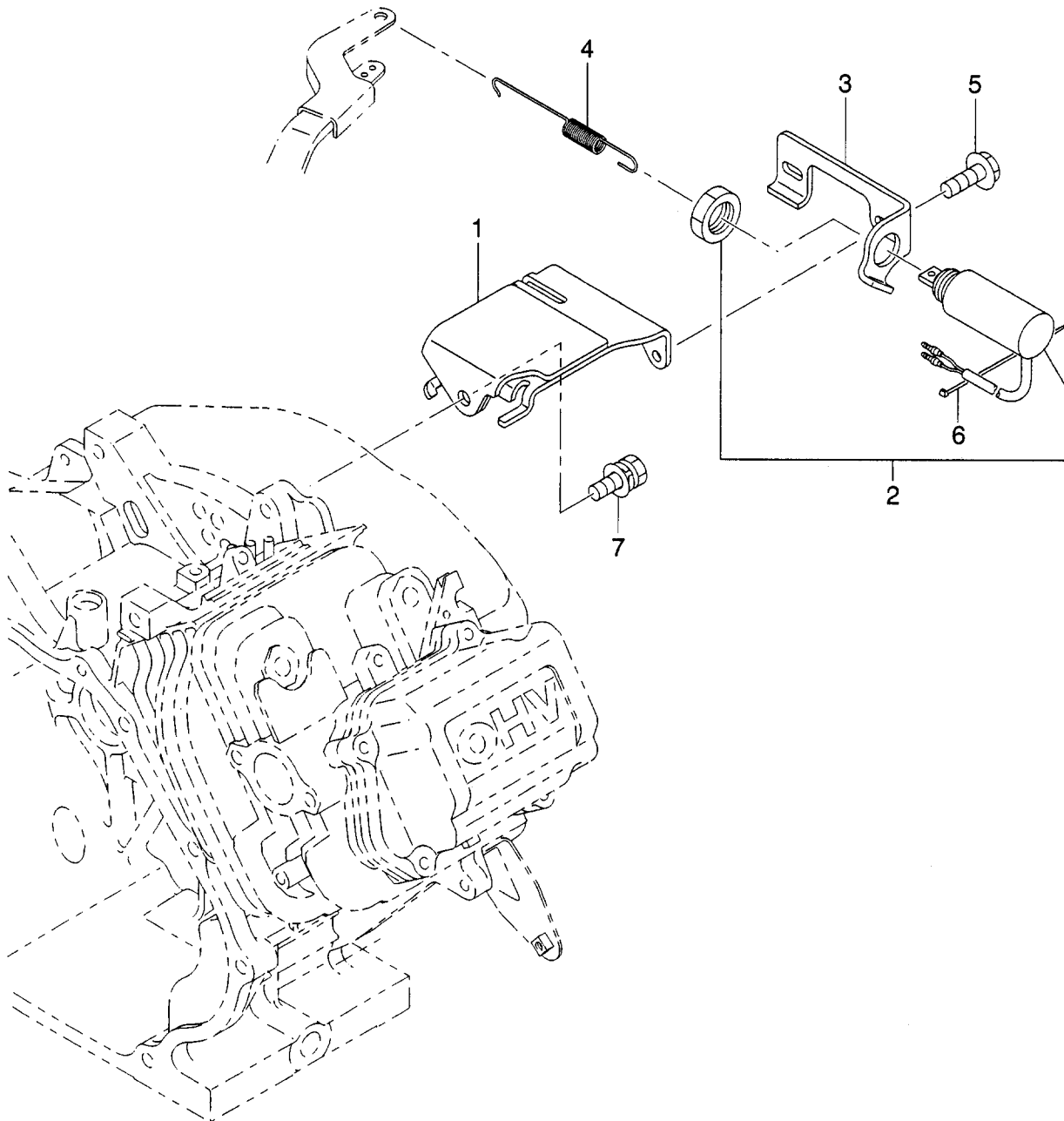
SECTION 7D ELECTRIC DEVICE GROUP - OIL SENSOR

FIG. 760



SECTION 8 SOLENOID GROUP - RGV7500

FIG. 800



PRINTED IN THE USA