

# **PARTS MANUAL**

**Models**

**EH63V & EH65V  
ENGINES**

PUB-EP1270  
Rev. 01/00



# GROUP INDEX

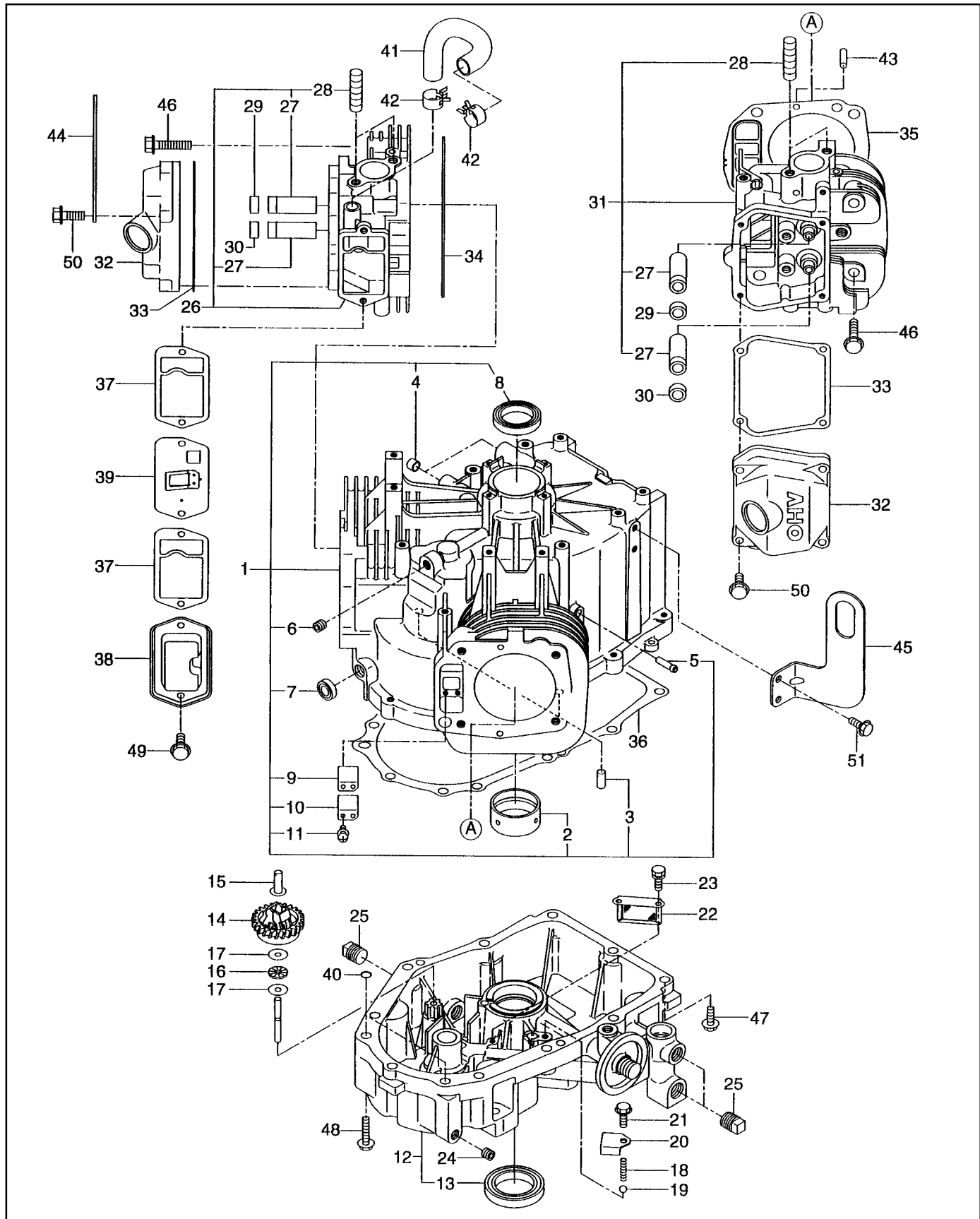
Group Name	Page
CRANKCASE GROUP - EH63V / EH65V .....	4
CRANKSHAFT GROUP .....	8
INTAKE and EXHAUST GROUP .....	10
MUFFLER GROUP .....	12
GOVERNOR GROUP .....	14
COOLING and STARTING GROUP .....	16
FUEL, LUBRICATION GROUP .....	18
CARBURETOR GROUP .....	20
ELECTRIC DEVICE GROUP .....	22
STARTING MOTOR GROUP .....	24

## **Robin America, Inc.**

940 Lively Blvd. • Wood Dale, IL 60191 • Phone: 630-350-8200 • Fax: 630-350-8212  
e-mail: [sales@robinamerica.com](mailto:sales@robinamerica.com) • [www.robinamerica.com](http://www.robinamerica.com)

© Copyright 2000 Robin America, Inc.

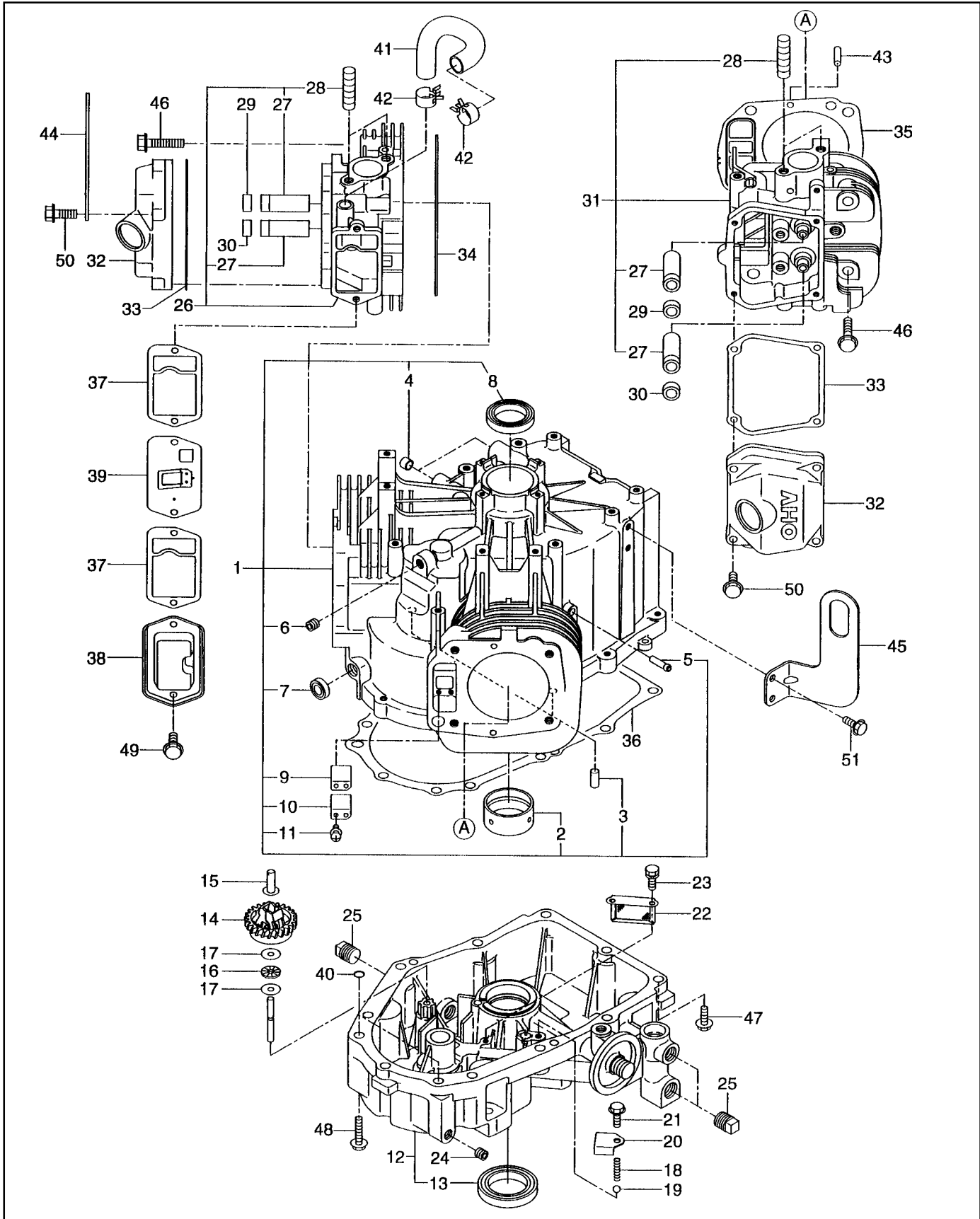
**FIG. 1 CRANKCASE GROUP - EH63V / EH65V**



**FIG. 1 CRANKCASE GROUP - EH63V / EH65V**

REF	PART NUMBER	DESCRIPTION	QTY	REMARKS
*1	263-10201-A1	CRANKCASE, compl.	1	includes items 2 thru 11
2	263-15801-03	MAIN BEARING	1	
3	X31-00800-80	DOWEL PIN	2	
4	142-55601-03	PIPE	2	
5	159-65401-03	PIPE (PULSE)	1	
6	235-15421-03	BLIND PLUG	1	
7	044-00800-10	OIL SEAL	1	
8	044-03500-90	OIL SEAL	1	
9	263-17101-A3	LEAF VALVE	2	
10	263-17201-A3	RETAINER PLATE	2	
11	004-35041-00	SCREW and WASHER ASS'Y	4	
*12	263-11021-A1	MAIN BEARING COVER, compl.	1	includes item 13
13	044-04200-30	OIL SEAL	1	
14	263-45101-B1	GOVERNOR GEAR, compl.	1	
15	263-41901-03	GOVERNOR SLEEVE	1	
16	263-46213-A3	THRUST BEARING	1	
17	263-46214-A3	WASHER	2	
18	248-65601-03	SPRING, relief valve	1	
19	006-90308-00	STEEL BALL	1	
20	263-17301-A3	RETAINER PLATE	1	
21	X11-00600-20	FLANGE BOLT	1	
22	263-64311-A1	OIL PUMP FILTER	1	
23	001-13051-00	BOLT and WASHER ASS'Y	2	
24	235-15421-03	BLIND PLUG	1	
25	263-17401-A3	DRAIN PLUG	3	
*26	263-13201-02	CYLINDER HEAD 1 UNIT	1	includes items 27, 28
27	263-14201-03	VALVE GUIDE	4	
28	010-50802-90	STUD	8	
29	132-07AA0-50	SEAL-INTAKE VALVE	2	
30	132-11AA0-50	SEAL-EXHAUST VALVE	2	
*31	263-13301-02	CYLINDER HEAD 2 UNIT	1	includes items 27, 28
32	263-15501-A3	ROCKER COVER	2	
33	263-16101-A3	GASKET, rocker cover	2	
34	263-15021-01	GASKET, cylinder head 1	1	
35	263-15121-01	GASKET, cylinder head 2	1	
36	263-16011-A3	GASKET, main bearing cover	1	
37	263-16006-03	GASKET, breather plate	2	
38	263-14301-03	BREATHER COVER	1	
39	263-14411-A1	BREATHER PLATE, compl.	1	
40	024-00090-00	ORING	2	
41	263-18001-03	RUBBER PIPE	1	
42	263-68511-03	HOSE CLAMP	2	
43	X31-00600-20	DOWEL PIN	4	
44	263-19101-A3	LIFT HOOK1	1	

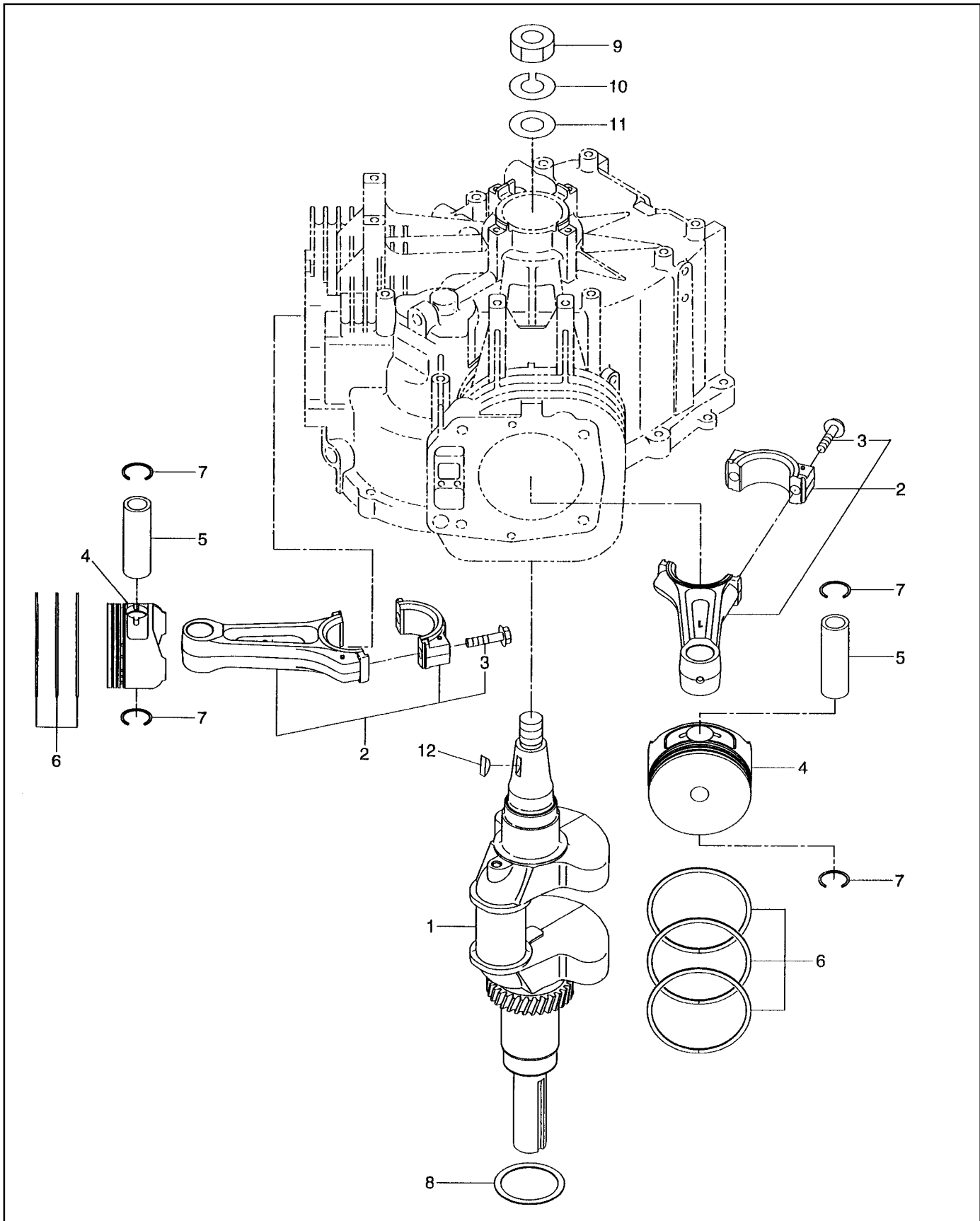
**FIG. 1 CRANKCASE GROUP - EH63V / EH65V**



**FIG. 1      CRANKCASE GROUP - EH63V / EH65V**

<b>REF</b>	<b>PART NUMBER</b>	<b>DESCRIPTION</b>	<b>QTY</b>	<b>REMARKS</b>
45	263-19102-A3	LIFT HOOK 2	1	
46	X11-01000-30	FLANGE BOLT	8	
47	X11-00800-90	FLANGE BOLT	7	
48	001-04087-50	FLANGE BOLT	3	
49	X11-00600-30	FLANGE BOLT	2	
50	X11-00601-01	FLANGE BOLT	8	
51	X11-00600-20	FLANGE BOLT	2	

FIG. 2 CRANKSHAFT GROUP - EH63V / EH65V

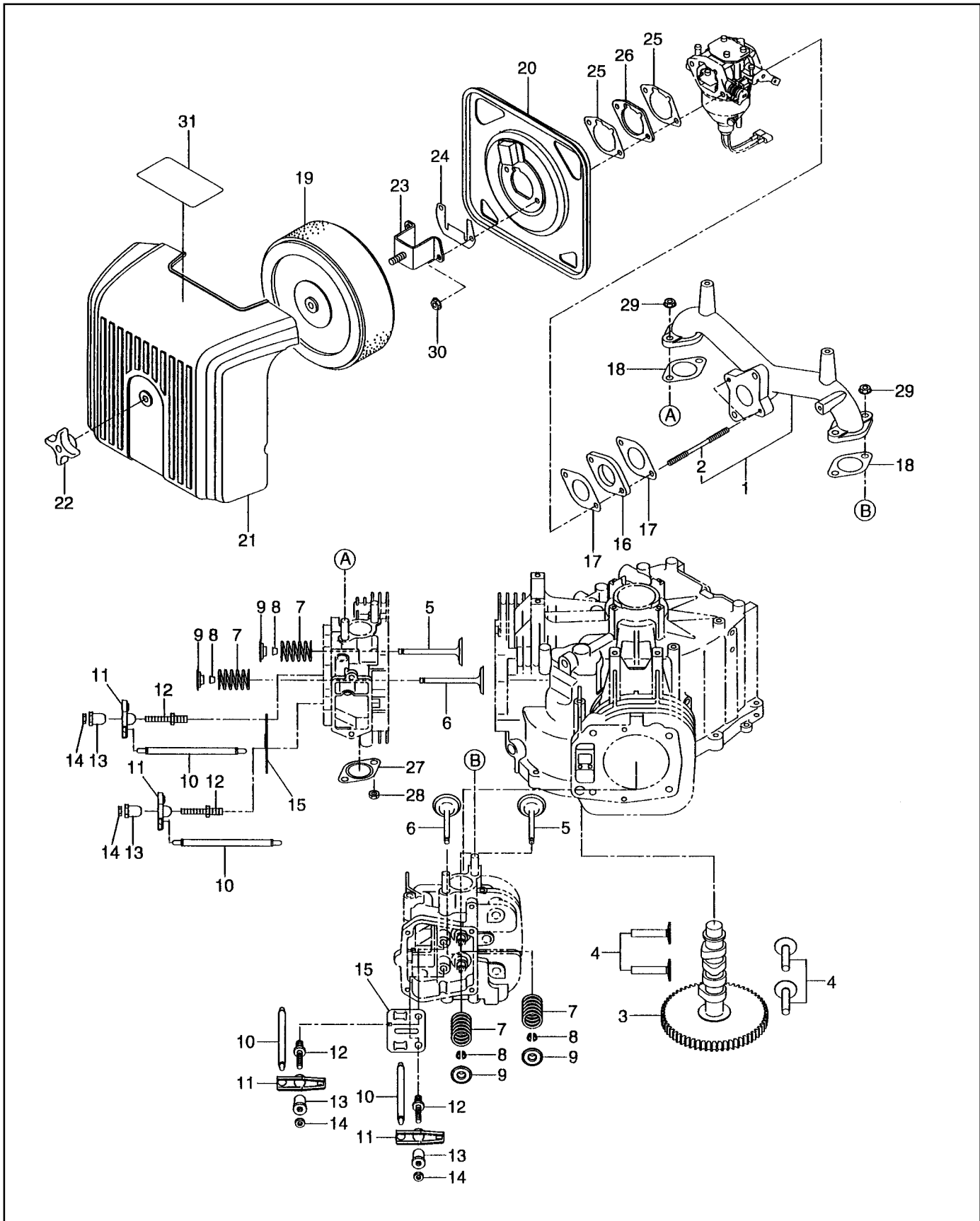




**FIG. 2 CRANKSHAFT GROUP - EH63V / EH65V**

REF	PART NUMBER	DESCRIPTION	QTY	REMARKS
1	263-21801-A1	CRANKSHAFT, compl. Ø25.4	1	VA0000, VC0000, VA0010
1	263-21901-A1	CRANKSHAFT, compl. Ø28.575	1	VC0010
*2	263-22501-00	CONNECTING ROD ASS'Y	2	
3	246-23001-03	CONNECTING ROD BOLT	2	
4	263-23401-03	PISTON	2	
5	263-23301-03	PISTON PIN	2	
6	263-23501-07	PISTON RING SET	2	
7	056-52100-20	CLIP	4	
8	263-25011-A3	SPACER, t=0.6	1	select 1 piece only
8	263-25012-A3	SPACER, t=0.8	1	select 1 piece only
8	263-25013-A3	SPACER, t=1.0	1	select 1 piece only
9	002-18180-00	NUT	1	
10	003-10180-00	WASHER	1	
11	003-20180-00	SPRING WASHER	1	
12	005-32054-01	WOODRUFF KEY	1	

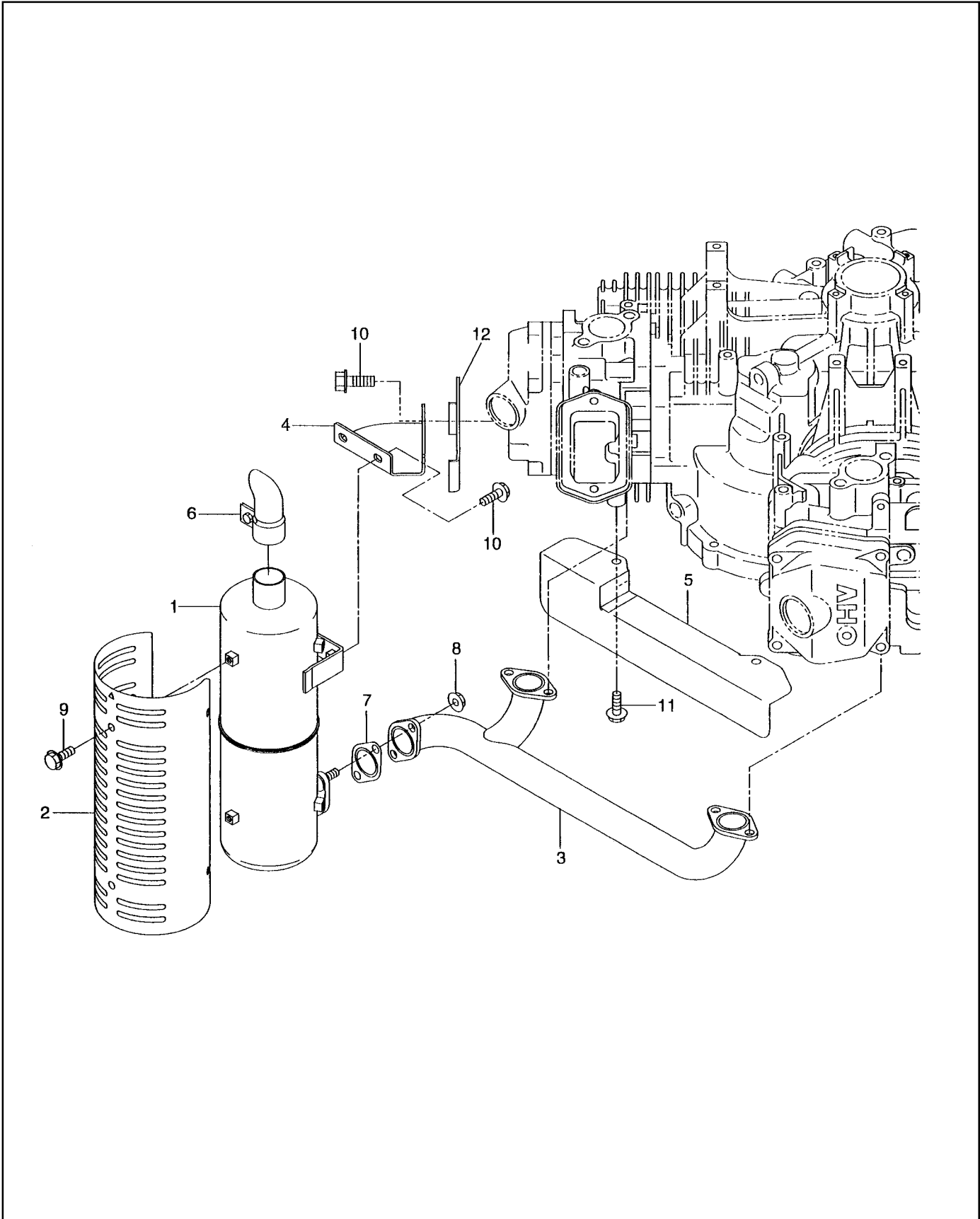
FIG. 3 INTAKE and EXHAUST GROUP - EH63V / EH65V



**FIG. 3 INTAKE and EXHAUST GROUP - EH63V / EH65V**

REF	PART NUMBER	DESCRIPTION	QTY	REMARKS
*1	263-33051-A1	INTAKE MANIFOLD, compl.	1	includes item 2
2	X10-50602-70	STUD	2	
3	263-31801-03	CAMSHAFT	1	
4	246-33301-03	TAPPET	4	
5	263-33401-03	INTAKE VALVE	2	
6	263-33501-03	EXHAUST VALVE	2	
7	246-33611-03	VALVE SPRING	4	
8	246-35501-03	COLLET-VALVE	8	
9	246-33711-03	SPRING RETAINER	4	
10	263-35321-A1	PUSH ROD, compl.	4	
11	267-36101-A3	ROCKER ARM	4	
12	261-35801-13	BOLT, pivot	4	
13	261-35701-B3	PIVOT	4	
14	017-00601-10	NUT	4	
15	263-37001-A3	GUIDE PLATE	2	
16	263-35401-A3	INSULATOR	1	
17	263-35501-A3	GASKET, insulator	2	
18	263-35503-A3	GASKET, intake manifold	2	
19	263-32610-A1	CLEANER ELEMENT, compl.	1	
20	263-32621-A1	CLEANER BASE, compl.	1	
21	263-32630-03	CLEANER COVER	1	
22	263-32640-01	WING NUT	1	
23	263-35505-A1	BRIDGE, cleaner	1	
24	263-35506-A3	RETAINER, air cleaner	1	
25	263-35502-A3	GASKET, cleaner	2	
26	263-38001-A3	SPACER, air cleaner	1	
27	263-35201-A1	GASKET EXHAUST	2	
28	X18-00800-10	FLANGE NUT	4	
29	002-38080-00	FLANGE NUT	4	
30	002-38060-00	FLANGE NUT	2	
31	263-91771-A3	LABEL (TRADEMARK) For EH63V	1	
31	263-91751-A3	LABEL (TRADEMARK) For EH65V	1	

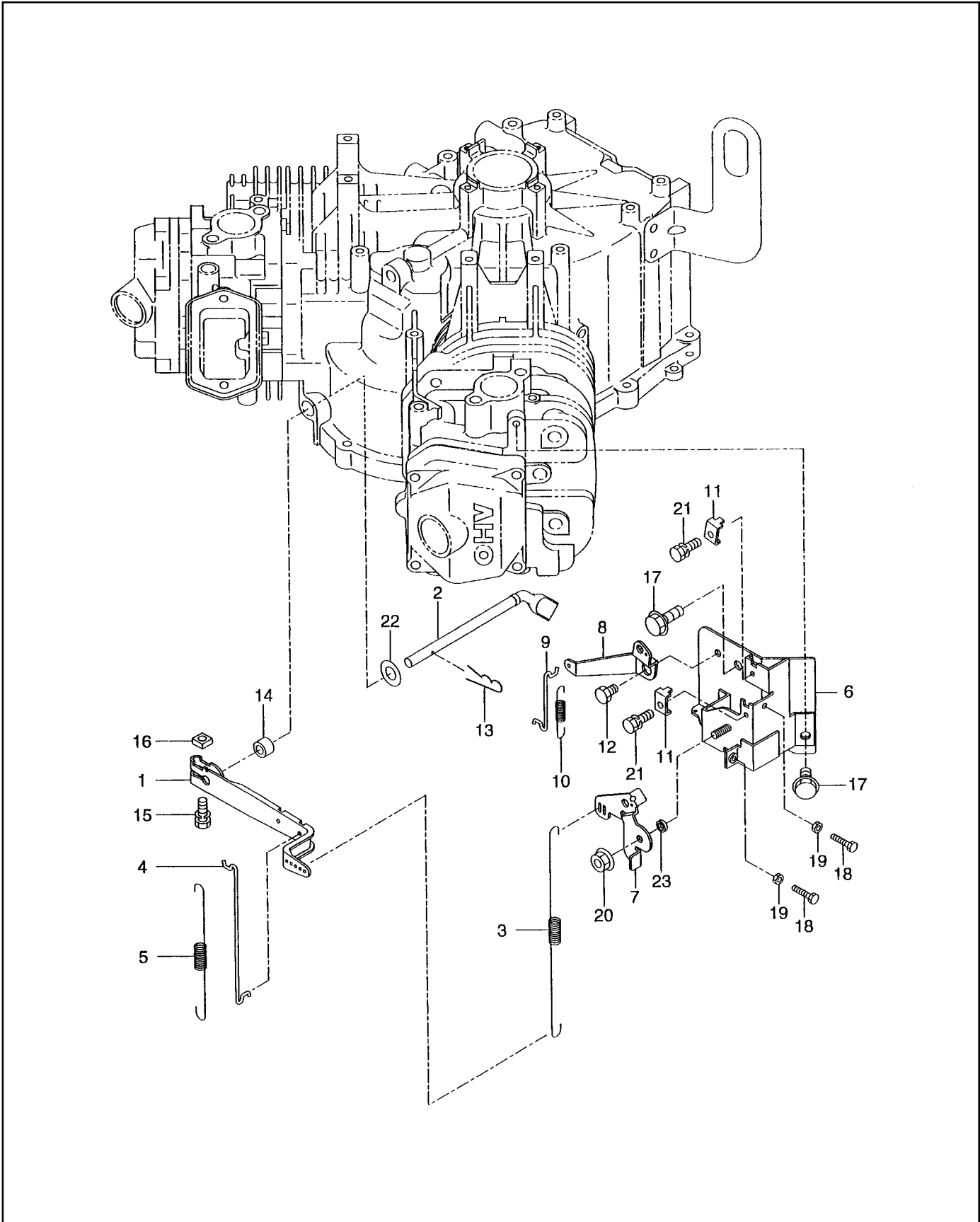
FIG. 4 MUFFLER GROUP (OPTION PARTS) - EH63V / EH65V



**FIG. 4 MUFFLER GROUP (OPTION PARTS) - EH63V / EH65V**

REF	PART NUMBER	DESCRIPTION	QTY	REMARKS
1	263-30151-01	MUFFLER, compl.	1	
2	263-34251-A3	MUFFLER COVER	1	
3	263-34151-A1	EXHAUST PIPE	1	
4	263-37031-A3	MUFFLER BRACKET	1	
5	263-34301-A1	EXHAUST PIPE COVER	1	
6	263-37301-A1	DEFLECTOR ASS'Y	1	
7	263-35201-A1	GASKET EXHAUST	1	
8	X18-00800-10	FLANGE NUT	2	
9	X11-00600-10	FLANGE BOLT	6	
10	X11-00600-20	FLANGE BOLT	4	
11	X11-00801-50	FLANGE BOLT	2	
12	263-37021-A1	SUPPORT (MUFFLER)	1	

FIG. 5 GOVERNOR GROUP - EH63V / EH65V



**FIG. 5 GOVERNOR GROUP - EH63V / EH65V**

REF	PART NUMBER	DESCRIPTION	QTY	REMARKS
1	263-42301-A3	GOVERNOR LEVER	1	
2	263-42201-A3	GOVERNOR SHAFT	1	
3	263-42501-03	GOVERNOR SPRING	1	
4	263-42701-01	GOVERNOR ROD	1	
5	263-42801-03	ROD SPRING	1	
6	263-45021-A2	BRACKET, speed control	1	
7	263-43312-A3	SPEED CONTROL LEVER	1	
8	263-46021-A3	CHOKE LEVER	1	
9	263-46011-01	CHOKE CONTROL ROD	1	
10	261-45201-03	RETURN SPRING	1	
11	261-43901-03	CLAMP	2	
12	261-43101-01	LINK PIVOT	1	
13	005-11060-01	SNAP PIN	1	
14	X23-00801-50	SPACER	1	
15	001-14063-00	BOLT and WASHER ASS'Y	1	
16	X18-60600-20	NUT	1	
17	X11-00600-20	FLANGE BOLT	2	
18	X11-50500-20	BOLT	2	
19	002-27050-00	NUT	2	
20	002-38060-00	FLANGE NUT	1	
21	001-17052-00	BOLT and WASHER ASS'Y	2	
22	003-10080-0	WASHER	1	
23	261-45301-03	SPACER	1	

FIG. 6 COOLING and STARTING GROUP - EH63V / EH65V

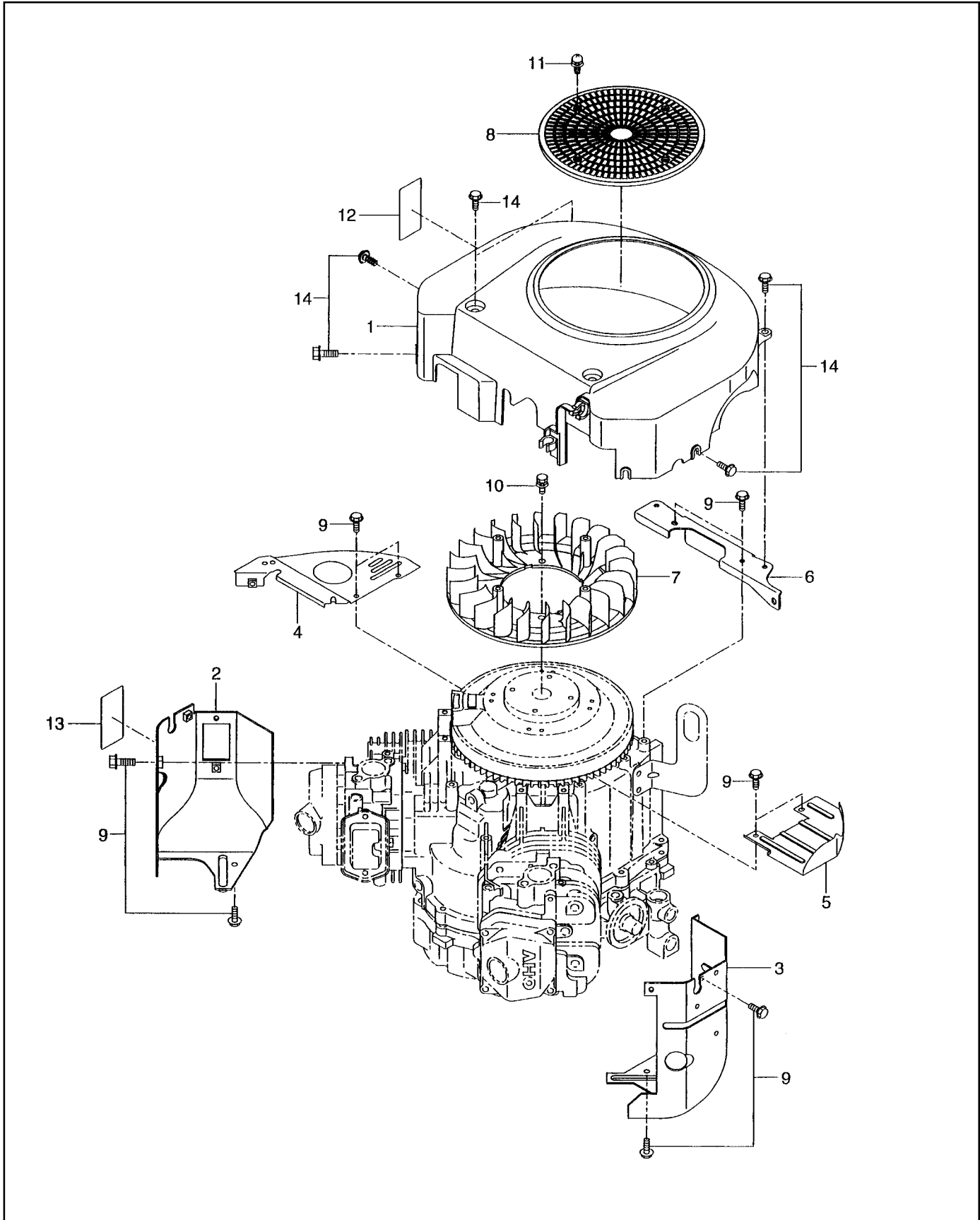
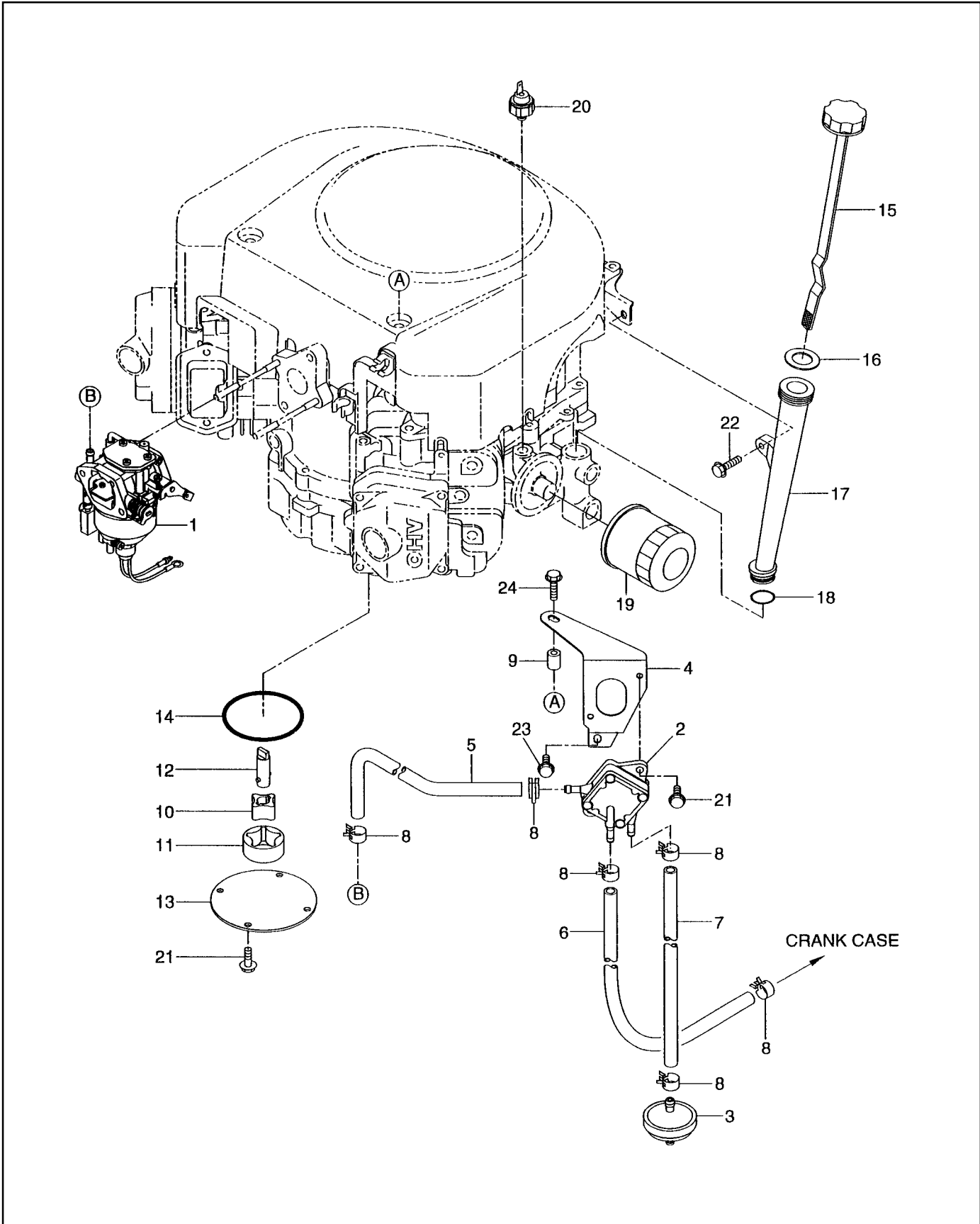






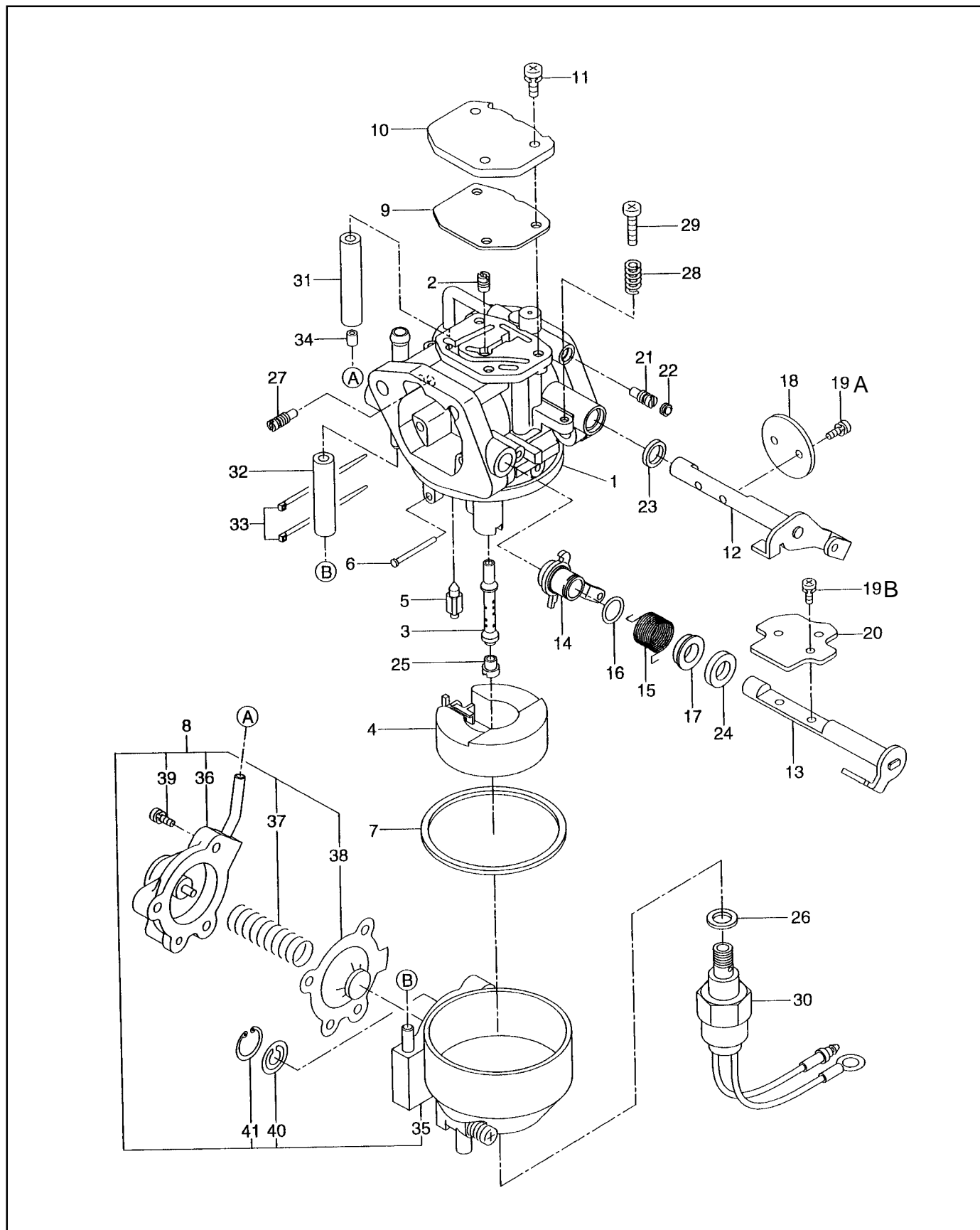
FIG. 7 FUEL, LUBRICANT GROUP - EH63V / EH65V



**FIG. 7 FUEL, LUBRICANT GROUP - EH63V / EH65V**

REF	PART NUMBER	DESCRIPTION	QTY	REMARKS
1	263-62571-10	CARBURETOR ASS'Y For EH63V	1	
1	263-62371-10	CARBURETOR ASS'Y For EH65V	1	
2	248-62201-00	FUEL PUMP ASS'Y	1	
3	263-65011-A0	FUEL FILTER ASS'Y	1	
4	263-67101-A2	BRACKET, fuel pump	1	
5	263-69911-A3	RUBBER PIPE	1	
6	263-69911-A3	RUBBER PIPE	1	
7	263-68051-03	RUBBER PIPE	1	
8	263-68501-03	HOSE CLAMP	6	
9	263-67102-A3	SPACER	1	
10	263-63921-A3	INNER ROTOR	1	
11	263-63931-A3	OUTER ROTOR	1	
12	263-63941-A3	SHAFT, oil pump	1	
13	263-64011-A3	OIL PUMP COVER	1	
14	263-64411-A3	O RING	1	
15	263-63611-01	OIL GAUGE, compl.	1	
16	021-31800-10	GASKET	1	
17	263-65101-A2	OIL FILL TUBE	1	
18	024-01900-00	O RING	1	
19	261-65902-A0	OIL FILTER ASS'Y	1	
20	EH6-50R00-51	OIL PRESSURE SWITCH	1	
21	X11-00600-20	FLANGE BOLT	6	
22	X11-00601-40	FLANGE BOLT	1	
23	X11-00600-30	FLANGE BOLT	1	
24	X11-00600-90	FLANGE BOLT	1	

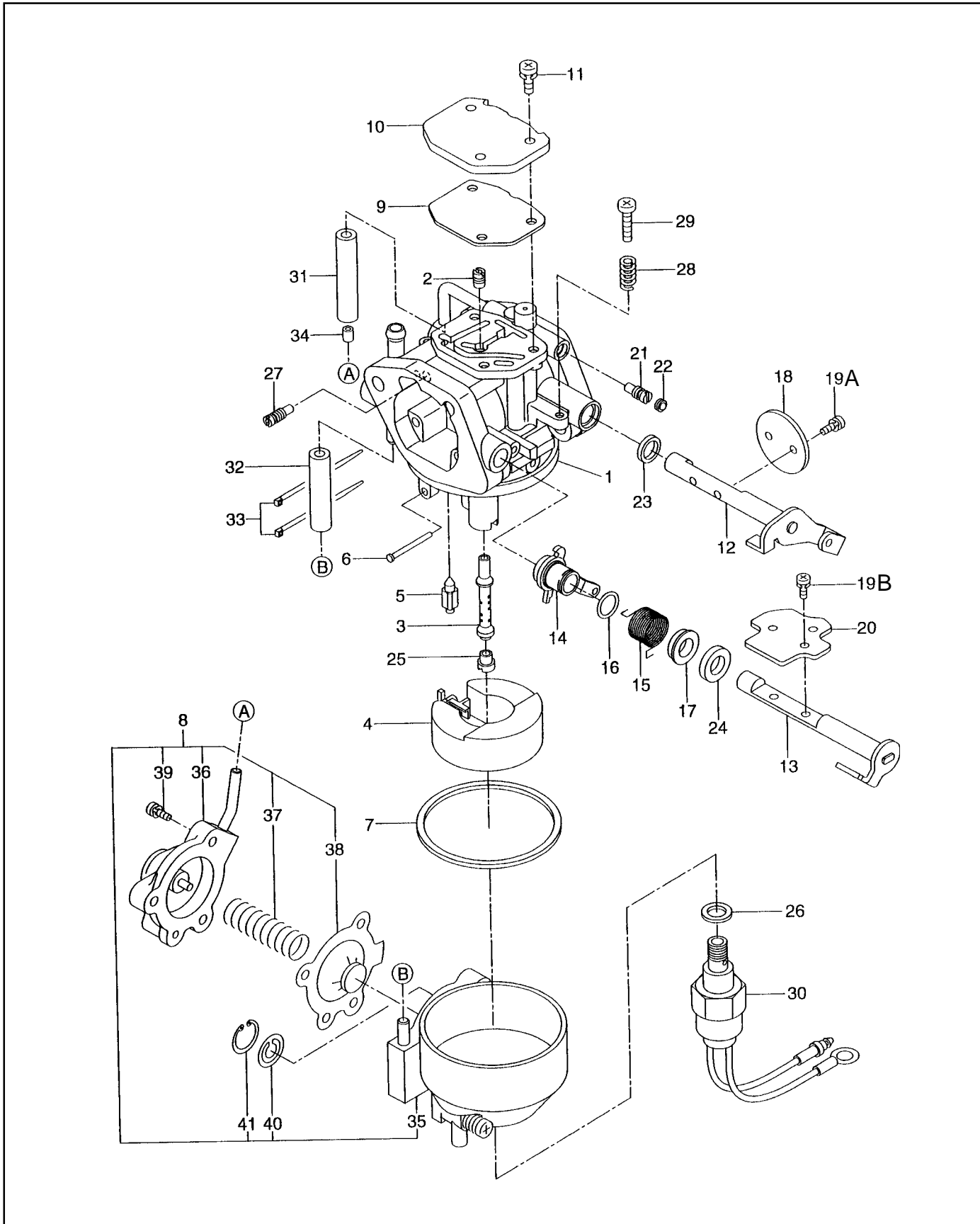
FIG. 8 CARBURETOR GROUP - EH63V / EH65V



**FIG. 8 CARBURETOR GROUP - EH63V / EH65V**

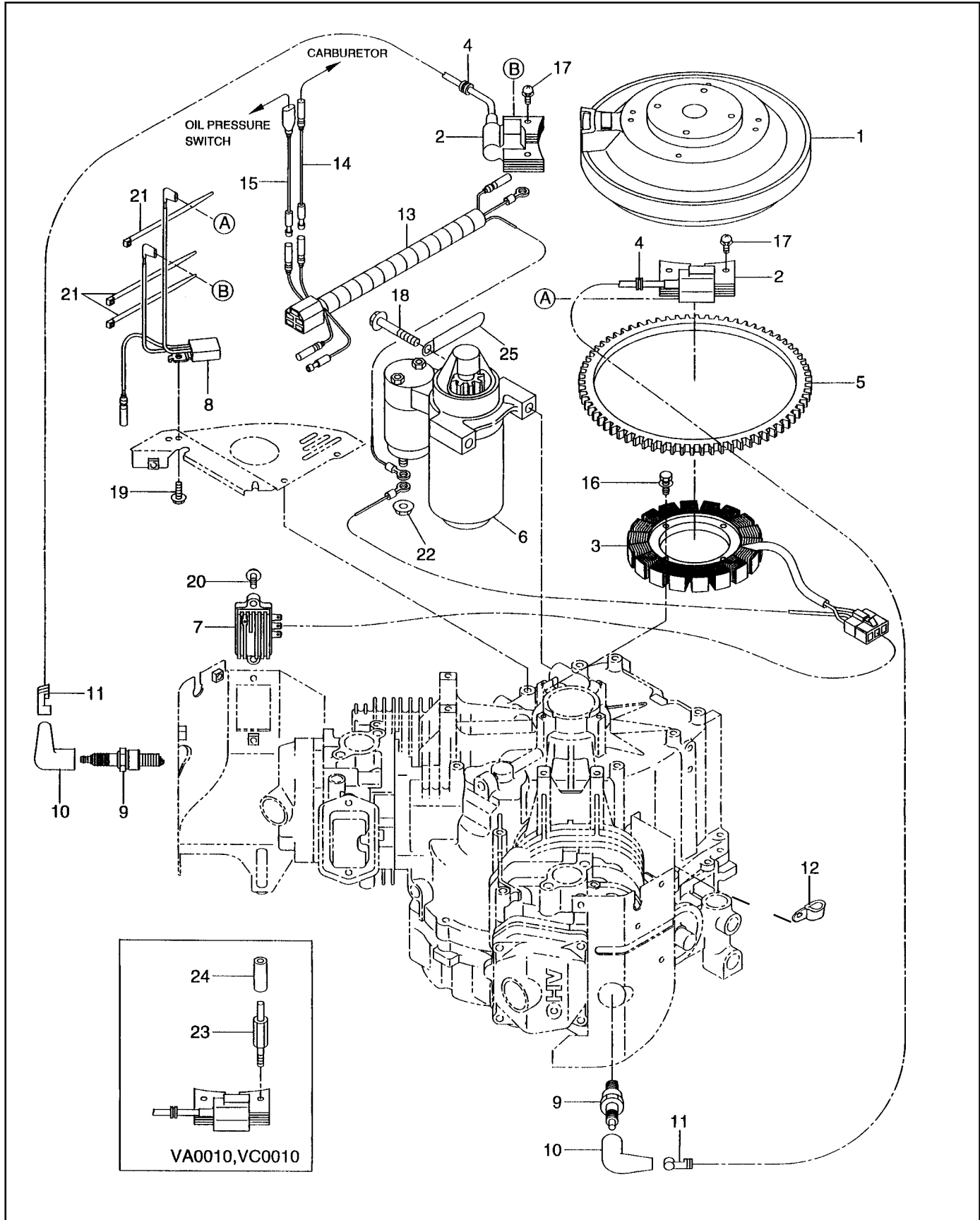
REF	PART NUMBER	DESCRIPTION	QTY	REMARKS
*1	263-62571-10	CARBURETOR ASS'Y For EH63V	1	includes items 2 thru 41
*1	263-62371-10	CARBURETOR ASS'Y For EH65V	1	includes items 2 thru 41
2	263-62422-08	SLOW JET ASS'Y	1	
3	263-62441-08	MAIN NOZZLE For EH63V	1	
3	263-62440-08	MAIN NOZZLE For EH65V	1	
4	263-62505-08	FLOAT	1	
5	263-62501-08	FLOAT VALVE	1	
6	263-62515-08	FLOAT PIN	1	
7	263-62575-08	FLOAT CHAMBER GASKET	1	
*8	263-62581-08	FLOAT CHAMBER, compl.	1	includes items 35 thru 41
9	263-62545-08	PASSAGE COVER GASKET	1	
10	263-62565-08	PASSAGE COVER	1	
11	263-62585-08	SCREW	3	
12	263-62533-08	THROTTLE SHAFT ASS'Y	1	
13	263-62521-08	CHOKE SHAFT ASS'Y	1	
14	263-62522-08	CHOKE LEVER ASS'Y	1	
15	263-62446-08	CHOKE ARM RETURN SPRING ForEH63V	1	
15	263-62445-08	CHOKE ARM RETURN SPRING ForEH65V	1	
16	258-62551-08	CHOKE LEVER RING	1	
17	258-62553-08	CHOKE COLLAR	1	
18	263-62536-08	THROTTLE VALVE	1	
19A	258-62559-08	SCREW, THROTTLE VALVE SET	2	
19B	261-62352-08	SCREW, CHOKE VALVE SET	2	
20	263-62526-08	CHOKE VALVE For EH63V	1	
20	263-62525-08	CHOKE VALVE For EH65V	1	
21	261-62435-08	NEEDLE, compl.	1	
22	261-62358-08	EXPANSION PLUG	1	
23	263-62590-08	AIR FILTER	1	
24	258-62554-08	CHOKE SHAFT FILTER	1	
25	263-62402-08	MAIN JET (#110) For EH63V	1	
25	263-62404-08	MAIN JET (#128) For EH65V	1	
26	215-62430-08	GASKET	1	
27	263-62411-08	SLOW AIR BLEED JET For EH3V	1	
27	263-62410-08	SLOW AIR BLEED JET For EH65V	1	
28	226-62446-08	SPRING, THROTTLE ADJUST SCREW	1	
29	263-62586-08	ROUND MACHINE SCREW	1	
30	263-62558-08	SOLENOID VALVE ASS'Y	1	
31	263-62356-08	VACUUM HOSE	1	
32	263-62357-08	FUEL HOSE	1	
33	107-62381-08	NYLON BAND	2	
34	263-62450-08	JET	1	
35	263-62582-08	FLOAT CHAMBER ASS'Y	1	
36	263-62359-08	COVER, compl.	1	
37	263-62320-08	SPRING	1	
38	263-62358-08	DIAPHRAGM ASS'Y	1	

FIG. 8 CARBURETOR GROUP - EH63V / EH65V





**FIG. 9 ELECTRIC DEVICE GROUP - EH63V / EH65V**

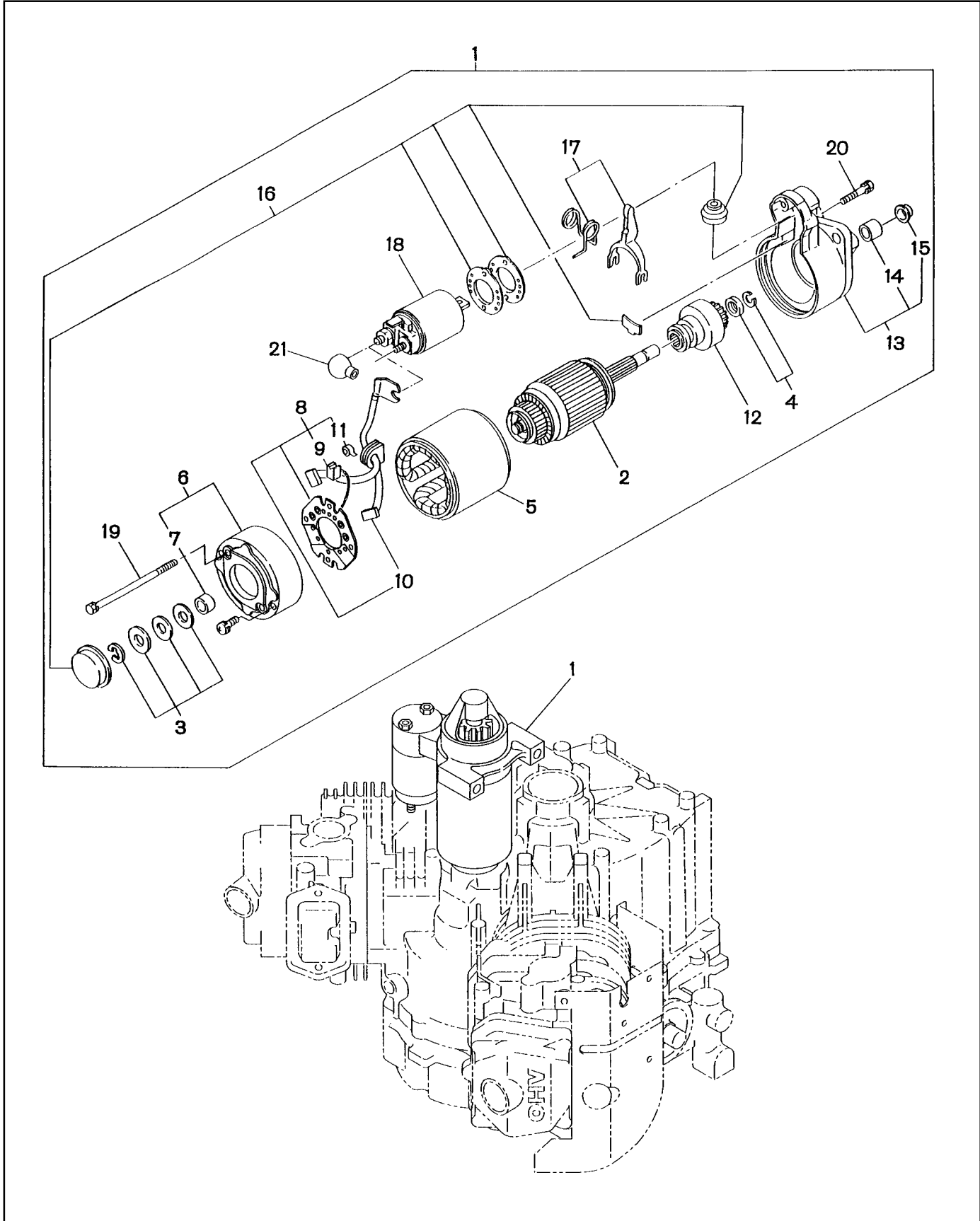




**FIG. 9 ELECTRIC DEVICE GROUP - EH63V / EH65V**

REF	PART NUMBER	DESCRIPTION	QTY	REMARKS
1	263-77202-11	FLYWHEEL, compl.	1	
2	263-78201-01	IGNITION COIL, compl.	2	
3	263-79411-A1	CHARGE COIL, compl.	1	
4	246-79501-03	GROMMET	2	
5	263-71001-03	RING GEAR	1	
6	263-70502-A0	STARTING MOTOR ASS'Y	1	
7	263-71901-01	REGULATOR, compl.	1	
8	KU3-11052-01	STOP DIODE, compl.	1	
9	X65-01403-00	SPARK PLUG, compl.	2	
10	X65-51000-10	SPARK PLUG CAP	2	
11	X65-91000-10	PLUG TERMINAL	2	
12	206-75501-01	CLAMP	1	
13	263-73115-B1	WIRING HARNESS ASS'Y	1	VA0000, VC0000
13	263-73115-A1	WIRING HARNESS ASS'Y	1	VA0010, VC0010
14	263-73114-A1	WIRE, compl.	1	
15	263-73102-A1	WIRE ASS'Y, oil pressure	1	
16	001-17052-00	BOLT and WASHER ASS'Y	4	
17	001-14063-00	BOLT and WASHER ASS'Y	4	
18	X11-00801-00	FLANGE BOLT	2	
19	X11-00600-10	FLANGE BOLT	1	
20	X11-00601-40	FLANGE BLOT	2	
21	X56-30000-80	WIRE BAND	3	
22	002-38080-00	FLANGE NUT	1	
23	263-79901-A3	BOLT, ignition coil	4	VA0010, VC0010
24	263-79911-A3	RUBBER PIPE	4	VA0010, VC0010
25	056-60003-20	CLAMP	1	

FIG. 10 STARTING MOTOR GROUP - EH63V / EH65V





PRINTED IN THE USA