

PARTS MANUAL

Model

**RGD3300
Generator**

PUB-GP1184
Rev. 7/98

GROUP INDEX

Group Name	Page
GENERATOR GROUP	4
FRAME and FUEL TANK GROUP	6
CONTROL BOX GROUP	10
CRANKCASE GROUP	12
CYLINDER HEAD GROUP	14
CRANKSHAFT and PISTON GROUP	16
CAMSHAFT and VALVE GROUP	18
MUFFLER and AIR CLEANER GROUP	20
GOVERNOR OPERATION GROUP	22
BLOWER HOUSING and RECOIL STARTER GROUP	24
FUEL SYSTEM GROUP	26
ELECTRICAL GROUP	28

Robin America, Inc.

940 Lively Blvd. • Wood Dale, IL 60191 • Phone: 630-350-8200 • Fax: 630-350-8212
e-mail: sales@robinamerica.com • www.robinamerica.com

© Copyright 1998 Robin America, Inc.

FIG. 1 GENERATOR GROUP

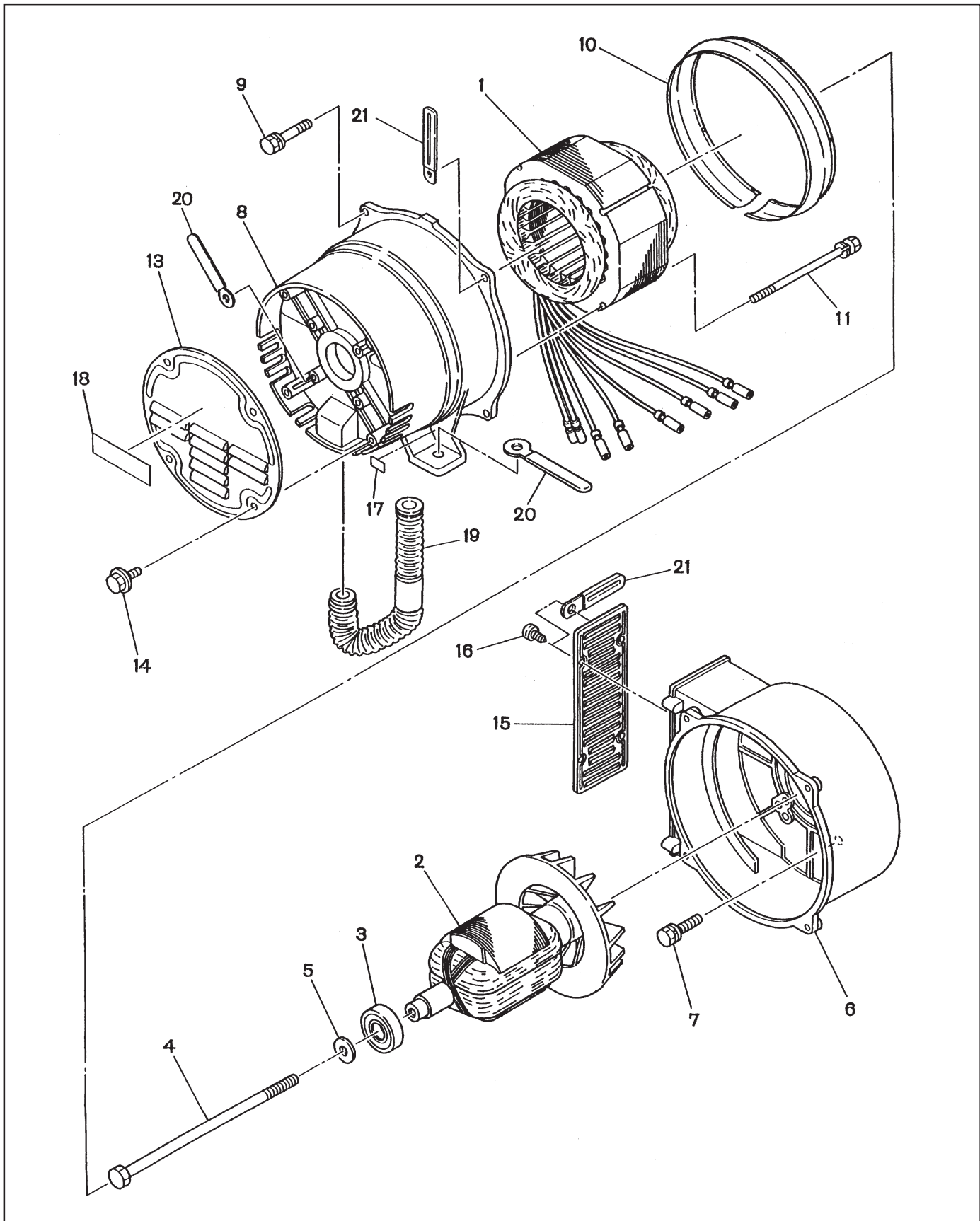


FIG. 2 FRAME AND FUEL TANK

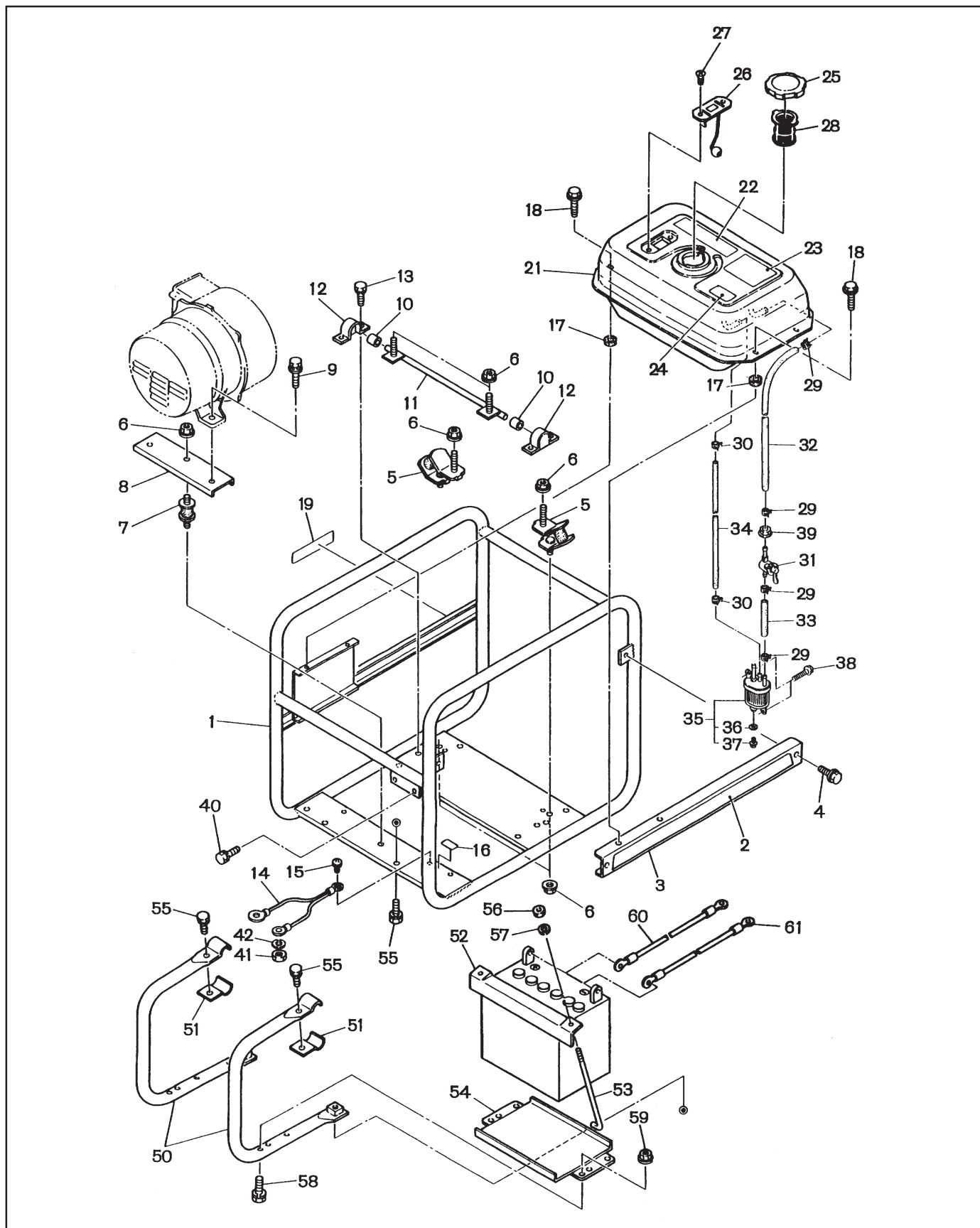


FIG. 2 FRAME AND FUEL TANK

REF	PART NUMBER	DESCRIPTION	QTY	REMARKS
1	391-31001-31	PIPE FRAME, compl.	1	
2	392-91000-03	LABEL (RGD3300)	1	
3	391-31101-21	SIDE PLATE, compl.	1	
4	011-00600-80	FLANGE BOLT	2	
5	391-37001-21	MOUNT, compl., engine side	2	
6	002-38080-00	FLANGE NUT	7	
7	391-37101-01	MOUNT, compl., generator side	1	
8	391-37500-21	GENERATOR BASE, compl.	1	
9	001-14082-50	BOLT and WASHER ASS'Y	2	
10	391-38001-03	RUBBER	2	
11	391-38000-01	SHAFT, stopper, compl.	1	
12	391-38500-01	STOPPER, compl.	2	
13	001-14061-60	BOLT and WASHER ASS'Y	4	
14	391-39006-01	EARTH WIRE, compl.	1	
15	376-39100-01	SCREW and WASHER ASS'Y (M5x10mm)	1	
17	391-39000-13	RUBBER, tank	4	
18	011-00602-20	FLANGE BOLT	4	
*21	255-60205-01	FUEL TANK, compl. Includes items 22,23	1	
22	377-92500-03	LABEL (CAUTION)	1	
23	391-94002-03	LABEL (FUEL ONLY)	1	
24	391-93012-03	WARNING, house wire	1	
25	043-04300-15	FUEL TANK CAP, compl.	1	
26	064-80007-00	FUEL GAUGE, compl.	1	
27	014-50500-40	SCREW, counter head	2	
28	064-13600-10	FUEL FILTER	1	
29	056-11100-20	HOSE CLAMP	4	
30	056-10800-10	HOSE CLAMP	2	
31	235-64601-20	FUEL COCK ASS'Y	1	
32	085-10600-00	RUBBER PIPE (F6x12x180mm)	1	
33	085-10600-00	RUBBER PIPE (F6x12x70mm)	1	
34	085-10400-00	RUBBER PIPE (F4.5x9x260mm)	1	
*35	243-62101-20	FUEL FILTER ASS'Y Includes items 36 and 37	1	
36	228-62112-08	PACKING	1	
37	228-62111-08	PLUG	1	
38	011-00600-20	FLANGE BOLT	2	
39	002-38100-00	FLANGE NUT	1	
40	001-14061-60	BOLT and WASHER ASS'Y	3	
41	002-19040-00	NUT	1	
42	003-20040-00	SPRING WASHER	1	
50	391-33006-31	BATTERY FRAME, compl.	2	
51	391-33007-31	CATCHER	2	
52	391-33003-21	BATTERY STAY, compl.	1	
53	391-33004-11	BATTERY BOLT, compl.	2	
54	391-33008-31	BATTERY BOLT, compl.	1	
55	001-15082-00	BOLT and WASHER ASS'Y	4	

FIG. 2 FRAME AND FUEL TANK

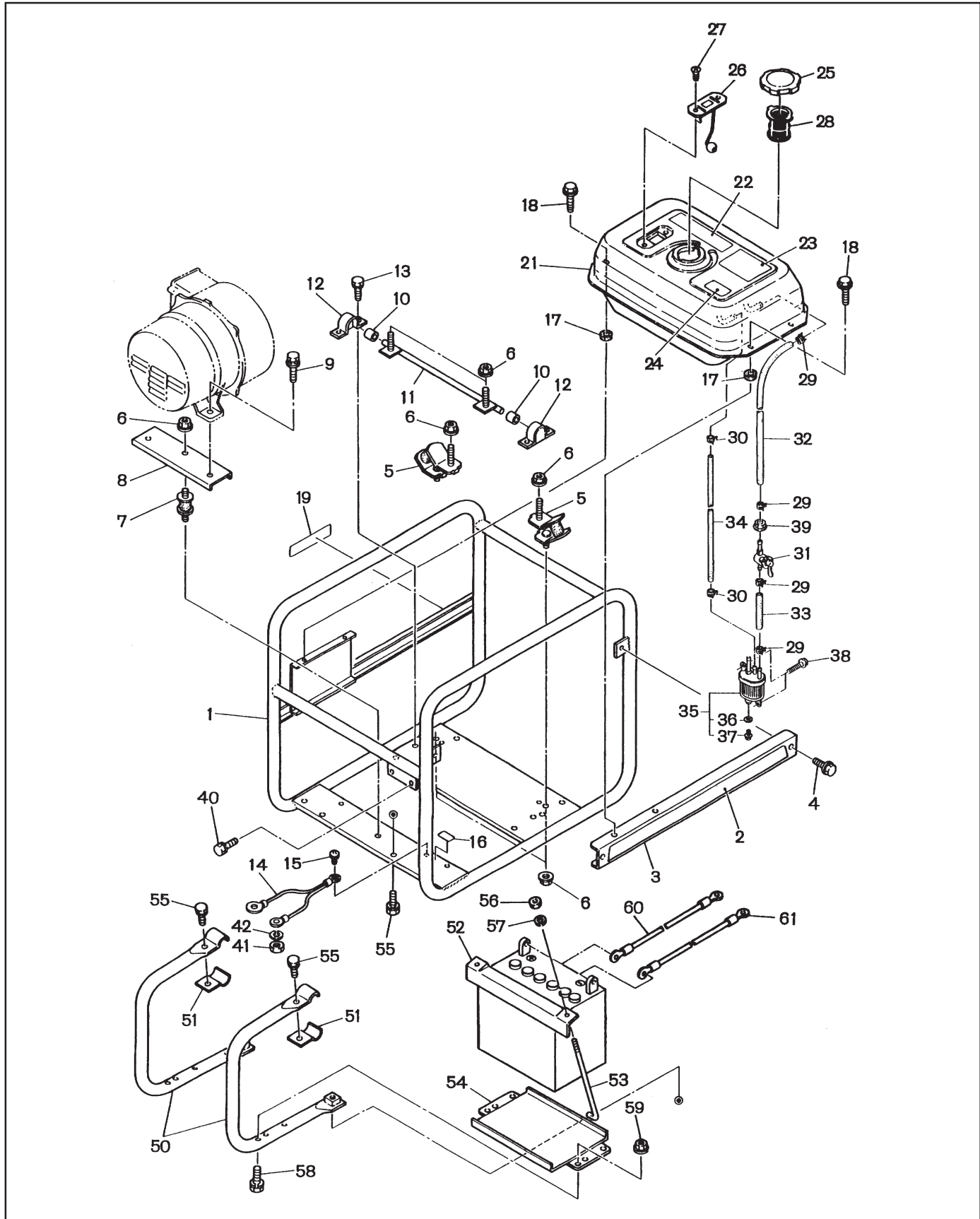


FIG. 3 CONTROL BOX GROUP

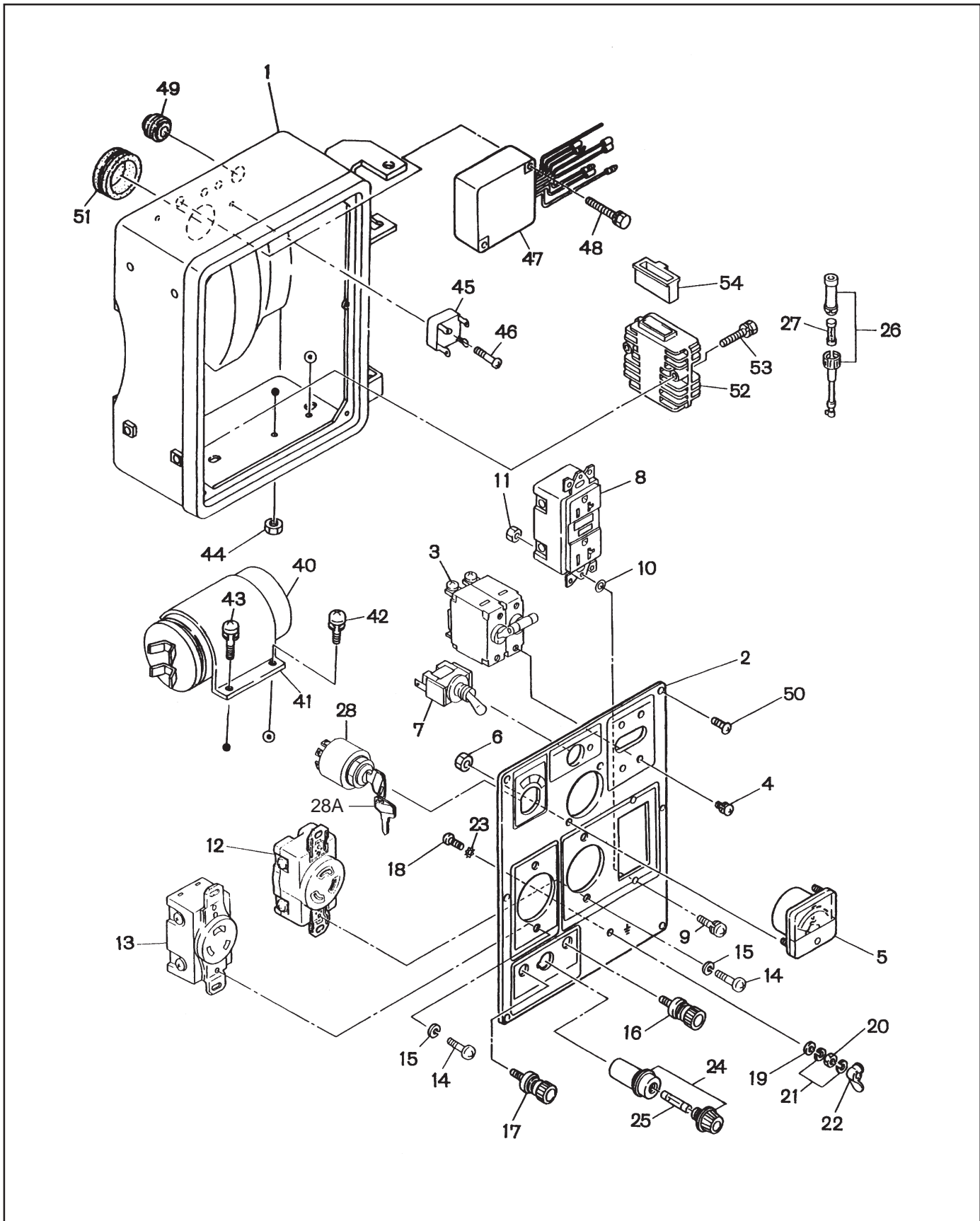


FIG. 3 CONTROL BOX GROUP

REF	PART NUMBER	DESCRIPTION	QTY	REMARKS
*1	392-40087-00	CONTROL BOX ASS'Y	1	Includes items 1 thru 28 and 40 thru 54
1	391-40047-11	CONTROL BOX, compl.	1	
*2	392-41081-00	CONTROL PANEL A ASS'Y	1	Includes items 2 thru 28
2	392-41081-01	CONTROL PANEL, compl.	1	
3	392-43102-03	CIRCUIT BREAKER (14A)	1	
4	004-37030-51	SCREW and WASHER ASS'Y	4	
5	391-47902-01	AC VOLTMETER (200V CLASS)	1	
6	002-17030-00	NUT	2	
7	355-45613-11	SWITCH ASS'Y (9P)	1	
8	388-85003-01	AC RECEPTACLE (125V-20A)	1	
9	004-35041-00	SCREW and WASHER ASS'Y	2	
10	003-10040-00	WASHER	2	
11	002-27040-00	NUT	2	
12	356-45711-08	AC RECEPTACLE (125V-30A)	1	
13	353-45724-08	AC RECEPTACLE (125V/250V-20A)	1	
14	356-59937-08	SCREW	4	
15	326-00335-08	SPRING WASHER	4	
16	363-45701-08	TERMINAL BOLT (color : RED)	1	
17	363-45700-08	TERMINAL BOLT (color : BLACK)	1	
18	388-88001-03	SCREW (M5)	1	
19	353-49903-08	WASHER	1	
20	353-49902-08	NUT (M5)	1	
21	332-00050-08	SPRING WASHER	2	
22	353-49901-08	WING NUT (M5)	1	
23	003-30050-00	LOCK WASHER	1	
24	320-59855-08	FUSE HOLDER (DC)	1	
25	008-02103-00	FUSE (10A)	1	
26	385-45517-08	FUSE HOLDER (250V-10A)	1	
27	385-45518-08	FUSE (15A)	1	
28	066-00003-30	KEY SWITCH	1	Includes item 28A
28A	066-00099-80	KEY SET (2)	1	
40	389-05000-01	CONDENSER (21 μ F)	1	
41	388-86001-01	CONDENSER BRACKET, compl.	1	
42	004-35041-00	SCREW and WASHER ASS'Y	1	
43	389-59989-08	SCREW and WASHER ASS'Y	1	(M4x16mm)
44	002-17040-00	NUT	2	
45	353-45804-08	DIODE STACK ASS'y	1	
46	015-00400-70	TAPPING SCREW	1	
47	228-76001-11	OIL SENSOR compl.	1	
48	001-11063-50	BOLT and WASHER ASS'Y	2	
49	391-49003-03	GROMMET	1	
50	353-49904-08	TAPPING SCREW	6	(M4x10mm)
51	389-89001-03	GROMMET	1	
52	228-71920-01	REGULATOR, compl.	1	
53	001-11062-50	BOLT and WASHER ASS'Y	2	
54	391-47700-03	CONNECTOR (6P)	1	

FIG. 4 CRANKCASE GROUP

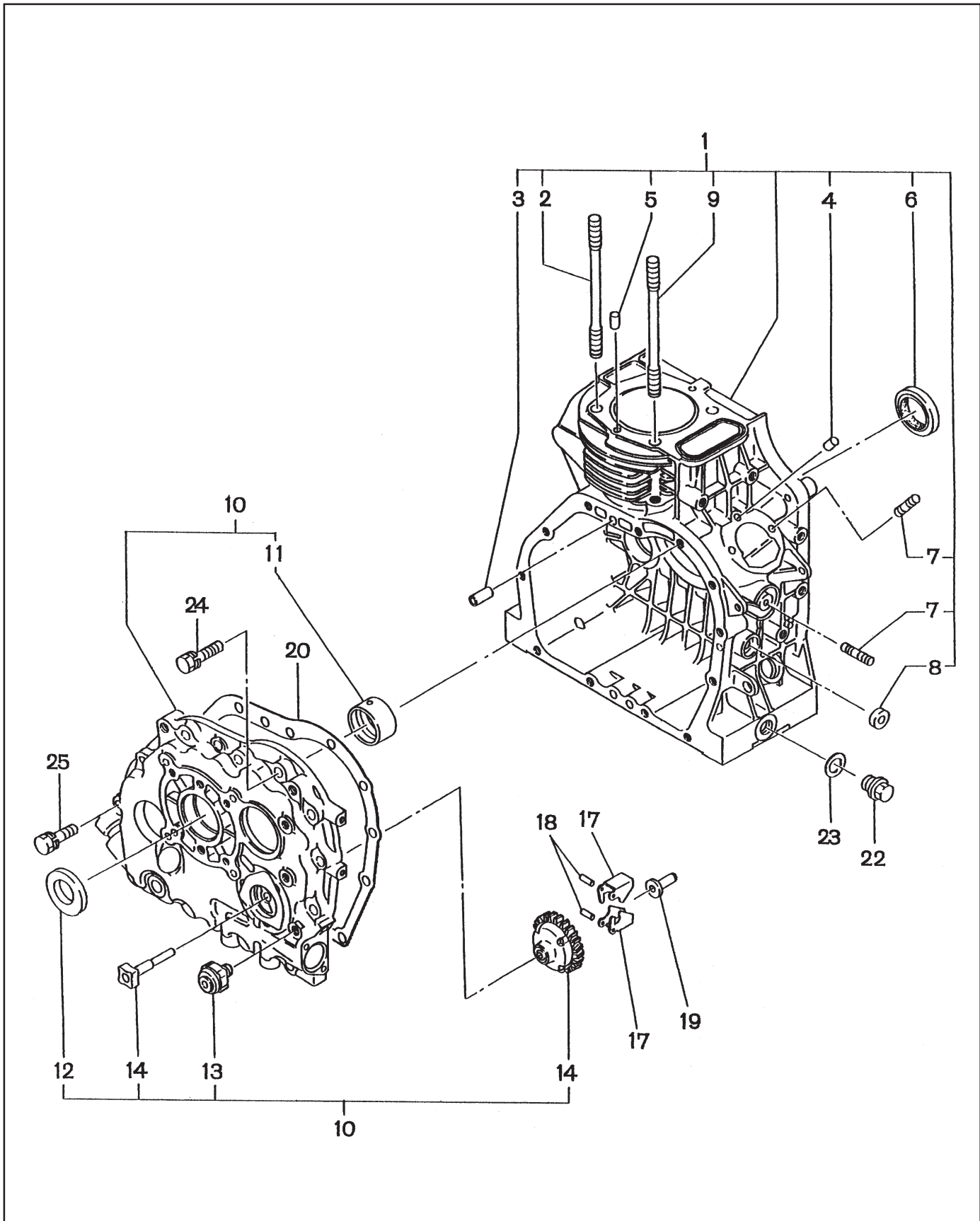


FIG. 4 CRANKCASE GROUP

REF	PART NUMBER	DESCRIPTION	QTY	REMARKS
*1	244-10107-51	CRANKCASE, compl.	1	Includes items 2 thru 9
2	244-16001-11	TENSION BOLT	3	
3	005-26081-80	DOWEL PIN	2	
4	031-00500-10	DOWEL PIN	1	
5	031-00600-10	DOWEL PIN	2	
6	044-03000-60	OIL SEAL (F30x48x8mm)	1	
7	001-37062-21	STUD	3	
8	044-00800-30	OIL SEAL (F8xF18x7mm)	1	
9	244-16002-11	TENSION BOLT	1	
*10	244-11003-41	MAIN BEARING COVER, compl.	1	Includes items 11 thru 14
11	243-15801-03	MAIN BEARING, STD.	1	
11	243-15802-03	MAIN BEARING, under size 0.25mm	1	
11	243-15803-03	MAIN BEARING, under size 0.50mm	1	
12	044-03000-30	OIL SEAL (F30xF45x8mm)	1	
13	942-99513-00	SWITCH ASS'Y, oil pressure	1	
14	243-45011-07	GOVERNOR GEAR SHAFT SET	1	
17	220-41601-30	FLYWEIGHT	2	
18	030-73000-70	PIN	2	
19	205-41901-03	GOVERNOR SLEEVE	1	
20	243-15026-03	GASKET, bearing cover	1	
22	040-11400-30	PLUG	2	
23	021-11400-20	GASKET	2	
24	001-13083-50	BOLT and WASHER ASS'Y	12	
25	001-13084-00	BOLT and WASHER ASS'Y	1	
*	256-99001-07	GASKET SET	1	Includes items Fig. 4-20,23
				Fig.5-7,8 Fig.8-6,12,13 Fig.11-23

FIG. 5 CYLINDER HEAD GROUP

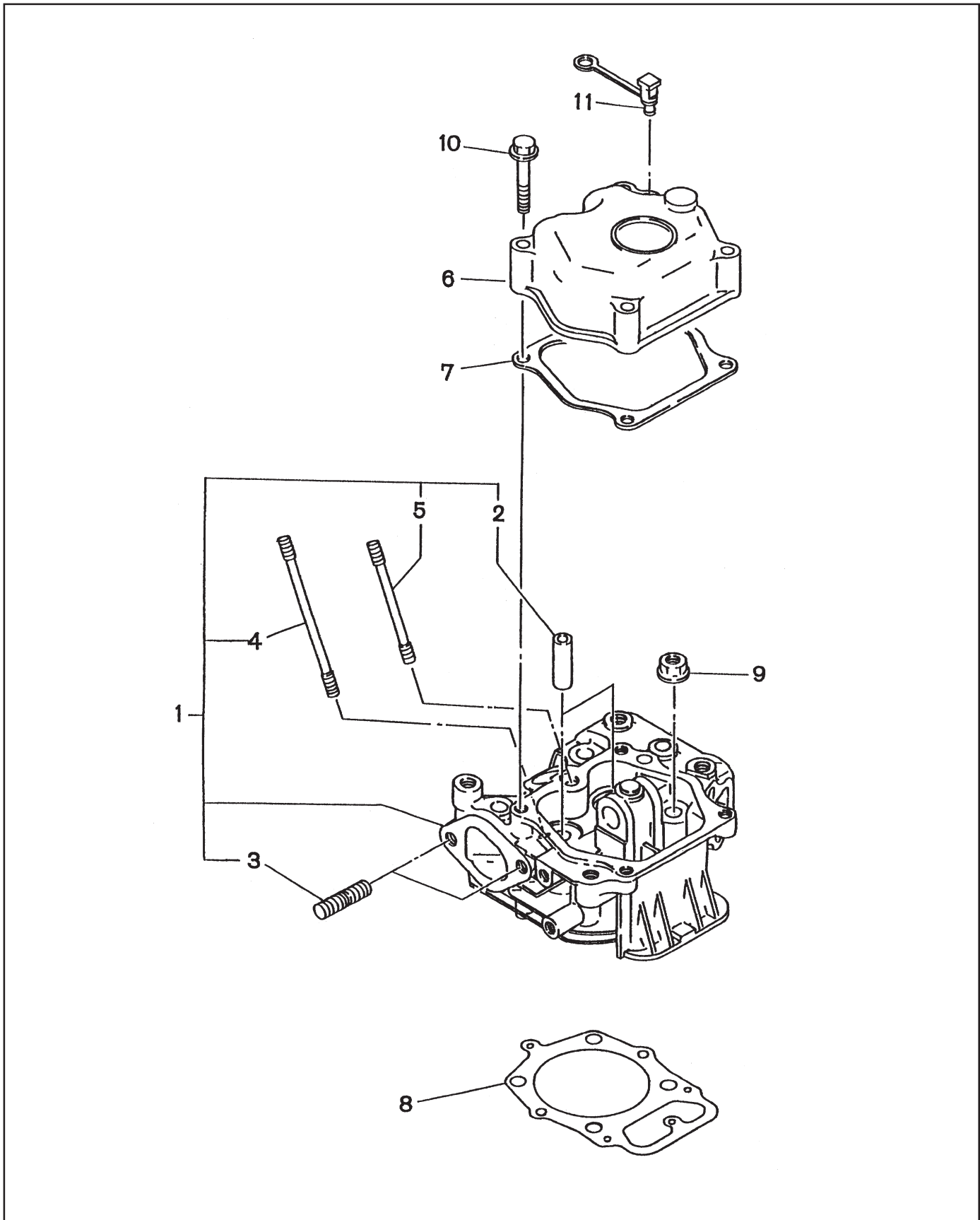


FIG. 6 CRANKSHAFT and PISTON GROUP

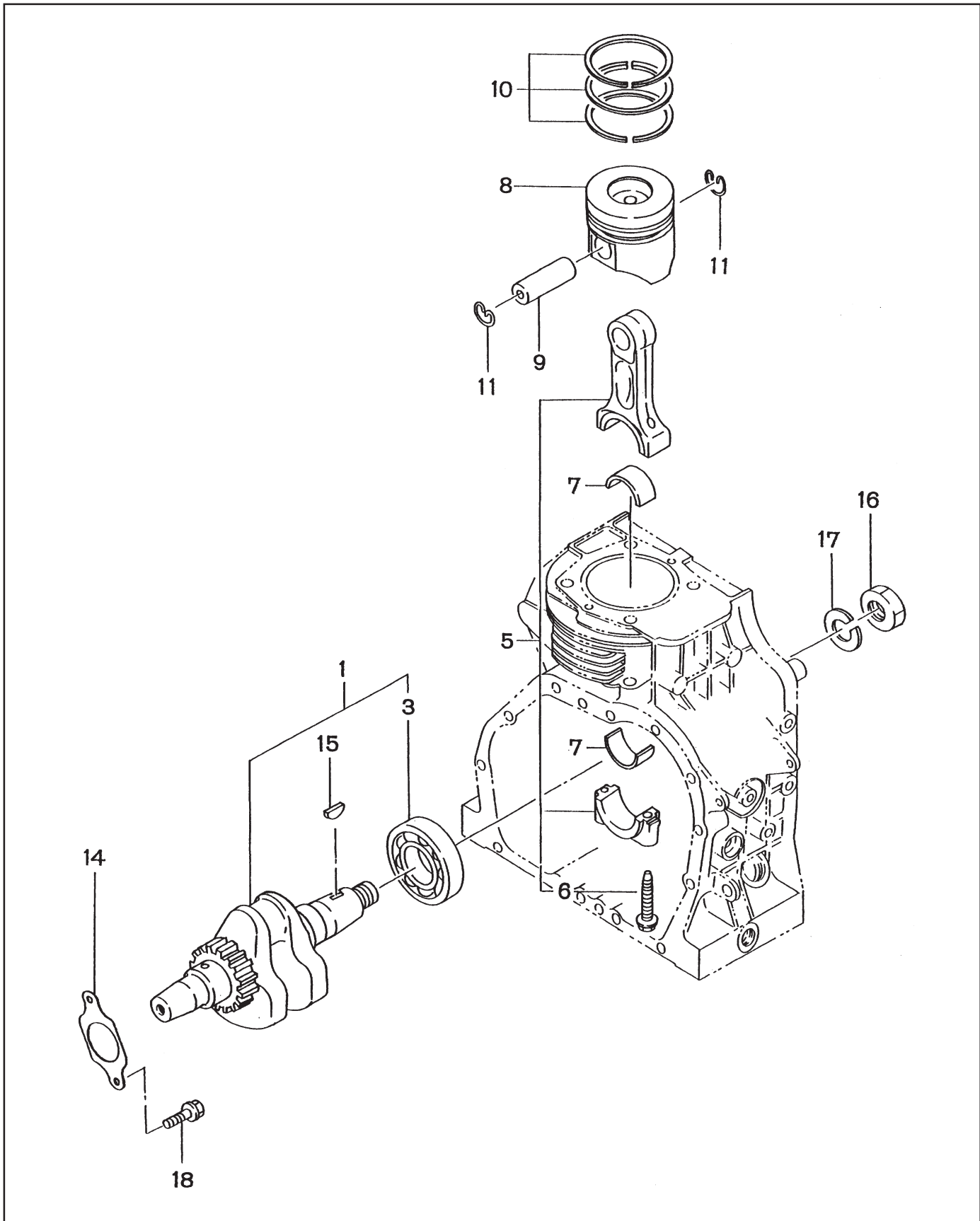


FIG. 7 CAMSHAFT and VALVE GROUP

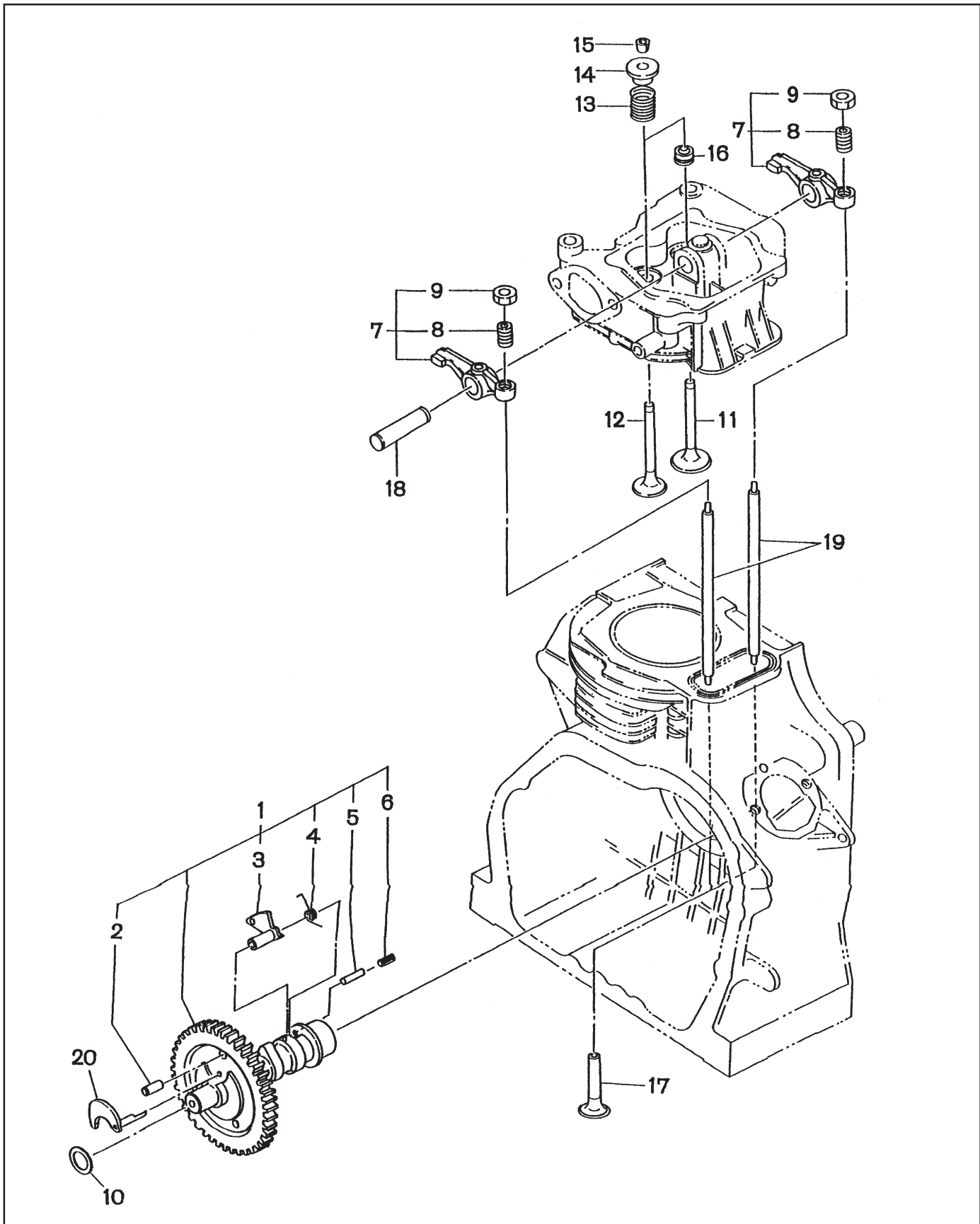


FIG. 7 CAMSHAFT and VALVE GROUP

REF	PART NUMBER	DESCRIPTION	QTY	REMARKS
*1	243-31702-31	CAMSHAFT, compl.	1	Includes items 1 thru 6
2	005-26081-80	DOWEL PIN	1	
3	243-35505-03	RELEASE LEVER	1	
4	243-35021-03	SPRING, RELEASE	1	
5	243-35022-03	SHAFT, RELEASE	1	
6	005-19031-20	SPRING PIN	1	
*7	243-36002-01	ROCKER ARM, compl.	2	Includes items 8 and 9
8	014-90800-21	ADJUSTING SCREW	2	
9	017-00800-90	NUT	2	
10	023-01600-20	SPACER (t=0.8) select one piece only	1	
10	023-01600-31	SPACER (t=1.0) select one piece only	1	
11	243-33401-23	INTAKE VALVE	1	
12	243-33501-23	EXHAUST VALVE	1	
13	243-33601-03	VALVE SPRING	2	
14	243-33701-13	SPRING RETAINER	2	
15	243-33801-13	RETAINER LOCK	4	
16	237-16008-01	STEM SEAL	1	
17	243-33301-03	TAPPET	2	
18	243-35034-03	ROCKER SHAFT	1	
19	243-35032-01	PUSH ROD, compl.	2	
20	243-35503-13	RELEASE LEVER	1	

FIG. 8 MUFFLER and AIR CLEANER GROUP

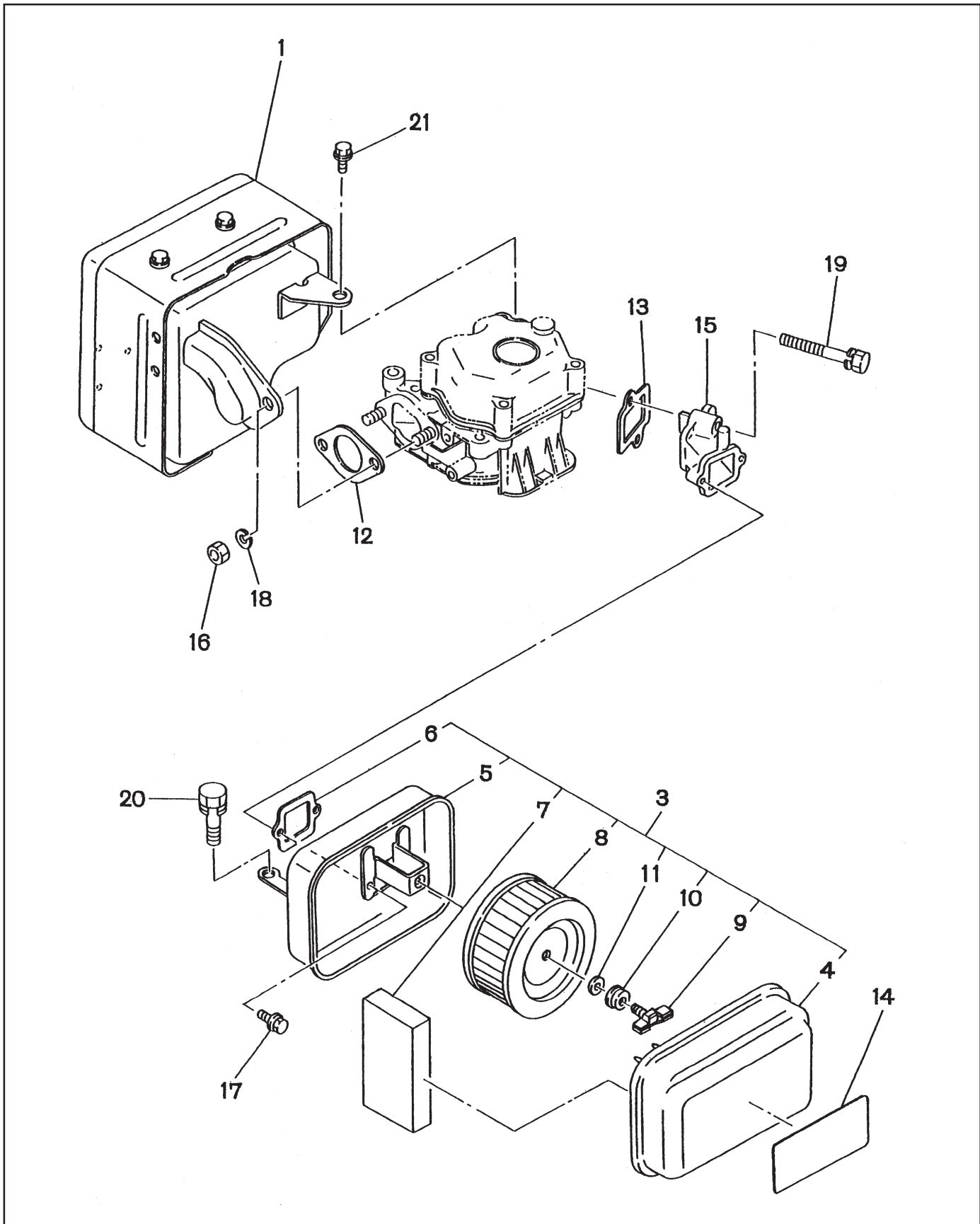


FIG. 8 MUFFLER and AIR CLEANER GROUP

REF	PART NUMBER	DESCRIPTION	QTY	REMARKS
1	255-30103-00	MUFFLER ASS'Y	1	
*3	243-32601-00	AIR CLEANER ASS'Y	1	Includes items 4 thru 11
4	243-32640-08	COVER, compl.	1	
*5	243-32620-08	BACK PLATE, compl.	1	Includes item 6
6	243-32651-08	PACKING	1	
7	243-32611-08	ELEMENT	1	
8	243-32600-08	ELEMENT, compl.	1	
9	243-32670-08	WING BOLT	1	
10	243-32660-08	WASHER	1	
11	243-32650-08	PACKING	1	
12	243-35002-03	GASKET, exhaust	1	
13	243-35003-13	GASKET, intake manifold	1	
14	243-92302-03	LABEL, air cleaner	1	
15	243-33101-13	INTAKE MANIFOLD	1	
16	002-19080-00	NUT	2	
17	001-13061-20	BOLT and WASHER ASS'Y	2	
18	003-20080-00	SPRING WASHER	2	
19	001-13083-50	BOLT and WASHER ASS'Y	2	
20	001-13081-60	BOLT and WASHER ASS'Y	1	
21	001-13082-00	BOLT and WASHER ASS'Y	1	

FIG. 9 GOVERNOR OPERATION GROUP

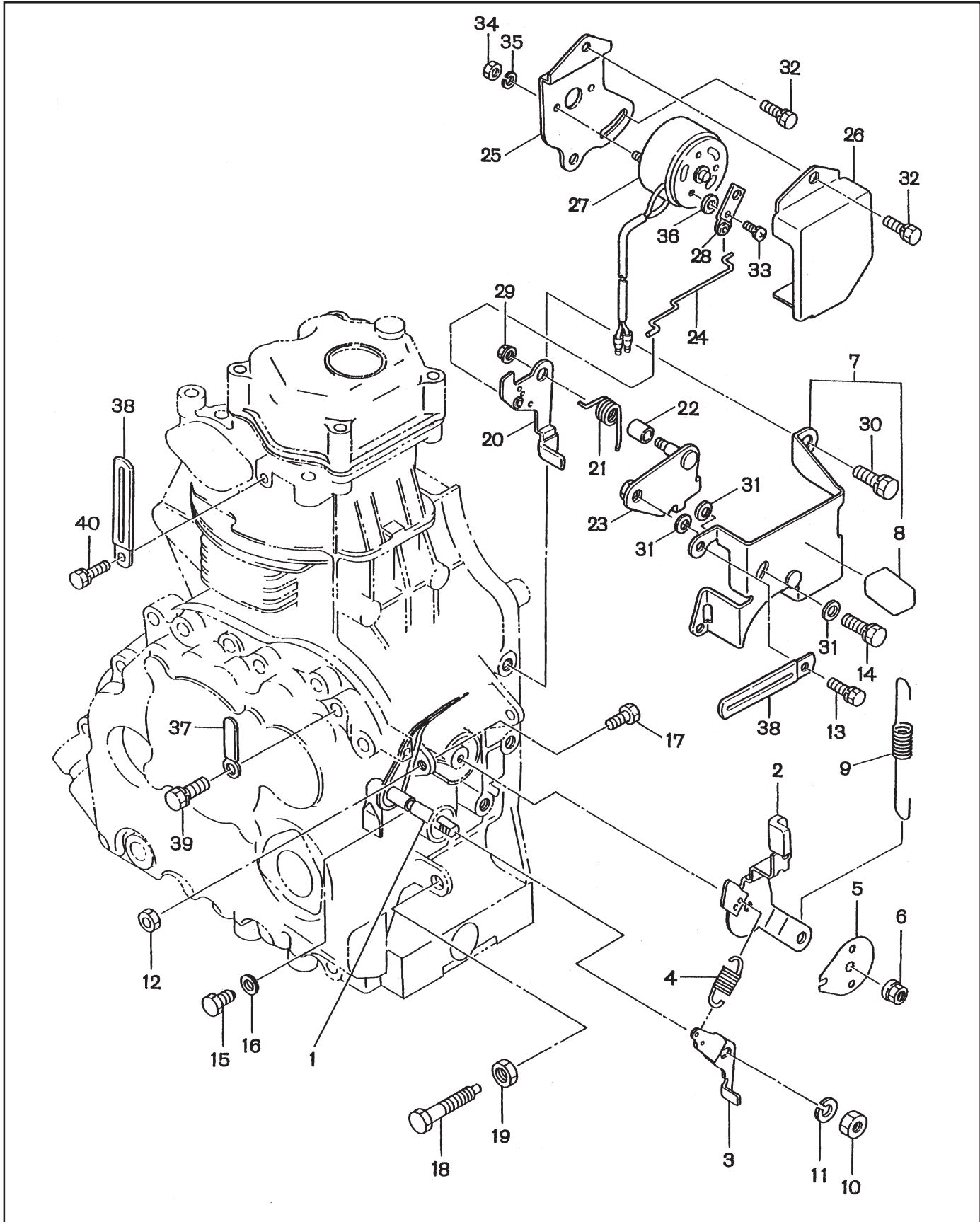


FIG. 9 GOVERNOR OPERATION GROUP

REF	PART NUMBER	DESCRIPTION	QTY	REMARKS
1	243-42301-12	GOVERNOR LEVER UNIT	1	
2	243-43302-10	SPEED CONTROL ASS'Y	1	
3	243-42910-11	CONTROL LINK	1	
4	243-42502-03	GOVERNOR SPRING	1	
5	227-43501-13	STOP PLATE	1	
6	017-60600-30	SELF LOCK NUT	1	
*7	255-40161-01	CONTROL PANEL, compl.	1	Includes item 8
8	073-20045-80	LABEL, operation	1	
9	206-42801-13	ROD SPRING	1	
10	002-18080-00	NUT	1	
11	003-20080-00	SPRING WASHER	1	
12	002-18060-00	NUT	1	
13	001-13061-20	BOLT and WASHER ASS'Y	2	
14	001-13081-60	BOLT and WASHER ASS'Y	2	
15	243-45002-03	BOLT	1	
16	003-10060-00	WASHER	1	
17	001-65061-20	BOLT	1	
18	243-45501-10	SMOKE SET ASS'Y	1	
19	002-27100-00	NUT	1	
20	243-45701-20	STOP LEVER ASS'Y	1	
21	243-46002-03	RETURN SPRING	1	
22	243-45010-01	SPACER	1	
23	243-47001-11	BRACKET, stop lever, compl.	1	
24	243-45004-03	CONTROL ROD	1	
25	243-47010-01	BRACKET, solenoid, compl.	1	
26	243-47020-01	COVER, solenoid	1	
27	243-75003-00	ROTARY SOLENOID ASS'Y	1	
28	243-47031-01	LINK, solenoid, compl.	1	
29	002-38060-00	FLANGE NUT	1	
30	001-13081-60	BOLT and WASHER ASS'Y	1	
31	003-11080-00	WASHER	3	
32	001-14061-20	BOLT and WASHER ASS'Y	3	
33	243-75004-03	SCREW and WASHER ASS'Y (M3.5x6mm)	1	
34	002-17040-00	NUT	2	
35	003-20040-00	SPRING WASHER	2	
37	056-60001-70	CLAMP	1	
38	150-75201-03	CLAMP	2	
39	001-13081-60	BOLT and WASHER ASS'Y	1	
40	001-13061-20	BOLT and WASHER ASS'Y	1	

FIG. 10 BLOWER HOUSING and RECOIL STARTER GROUP

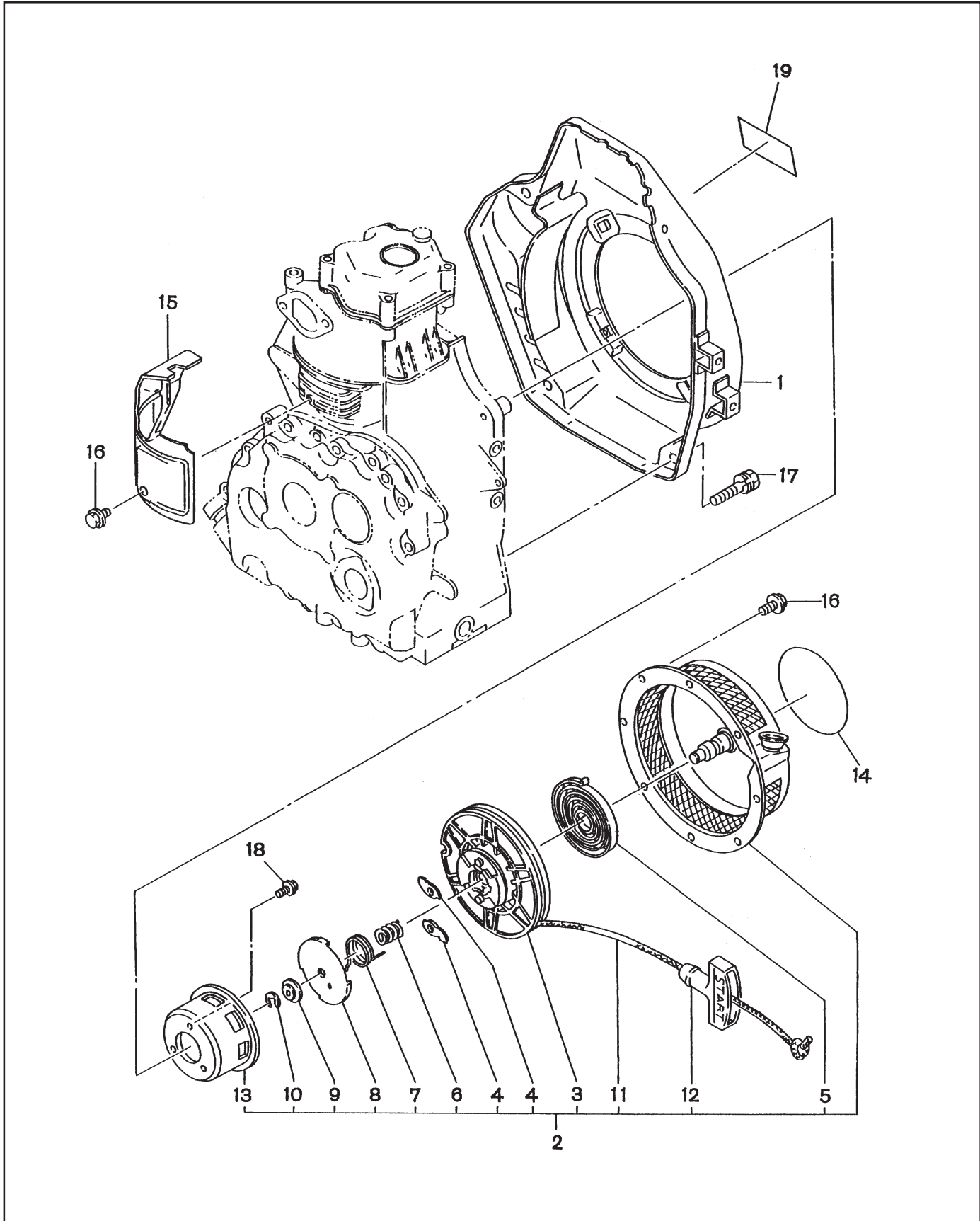


FIG. 11 FUEL SYSTEM GROUP

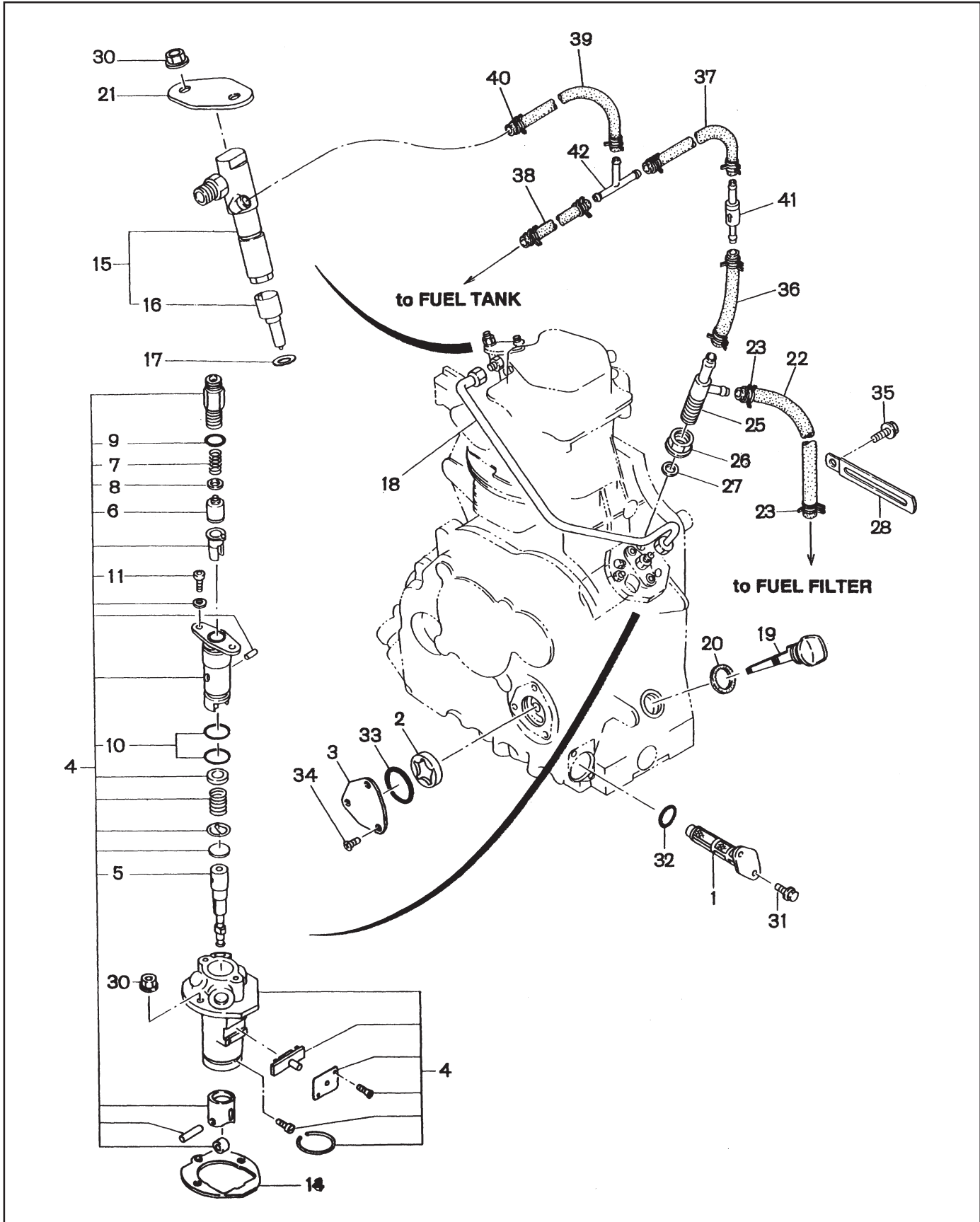


FIG. 11 FUEL SYSTEM GROUP

REF	PART NUMBER	DESCRIPTION	QTY	REMARKS
1	243-64301-00	OIL FILTER ASS'Y	1	
2	228-63902-03	OIL PUMP, outer	1	
3	243-66020-01	COVER, oil pump	1	
*4	255-63103-00	INJECTION PUMP ASS'Y	1	Includes items 5 thru 11
5	243-63131-08	PLUNGER ASS'Y	1	
6	243-63103-08	DELIVERY VALVE	1	
7	243-63104-08	SPRING D.V.	1	
8	243-63105-08	GASKET	1	
9	243-63107-08	"O" RING	1	
10	243-63129-08	"O" RING	2	
11	243-63130-08	SCREW	2	
14	243-65001-03	GASKET, injection pump (t=0.1)	1	select one piece only
14	243-65002-03	GASKET, injection pump (t=0.2)	1	select one piece only
14	243-65003-03	GASKET, injection pump (t=0.3)	1	select one piece only
*15	243-63202-00	NOZZLE ASS'Y	1	Includes item 16
16	243-63204-08	NOZZLE	1	
17	228-65004-03	GASKET, nozzle	1	
18	243-63301-21	INJECTION PIPE, compl.	1	
19	214-63601-13	OIL GAUGE	2	
20	021-32000-10	GASKET	2	
21	243-66001-01	BRACKET, nozzle 1	1	
22	085-10600-00	RUBBER PIPE (F6xF12x250mm)	1	
23	056-11100-20	HOSE CLAMP	1	
*25	243-66520-10	T-CONNECTOR ASS'Y	1	Includes items 26,27
26	243-66521-08	NUT	1	
27	243-66506-08	PACKING	1	
28	150-75201-03	CLAMP	1	
30	002-38060-00	FLANGE NUT	4	
31	001-14061-60	BOLT and WASHER ASS'Y	2	
32	006-26202-00	"O" RING	1	
33	006-26103-30	"O" RING	1	
34	004-11061-60	SCREW	3	
35	001-10061-00	BOLT and WASHER ASS'Y	1	
36	085-10400-00	RUBBER PIPE (F4.5xF9x95mm)	1	
37	085-10400-00	RUBBER PIPE (F4.5xF9x180mm)	1	
38	085-10400-00	RUBBER PIPE (F4.5xF9x60mm)	1	
39	085-10400-00	RUBBER PIPE (F4.5xF9x170mm)	1	
40	056-10800-10	HOSE CLAMP	7	
41	228-65032-13	CHECK VALVE	1	
42	255-65003-03	T-CONNECTOR, compl.	1	

FIG. 12 ELECTRICAL GROUP

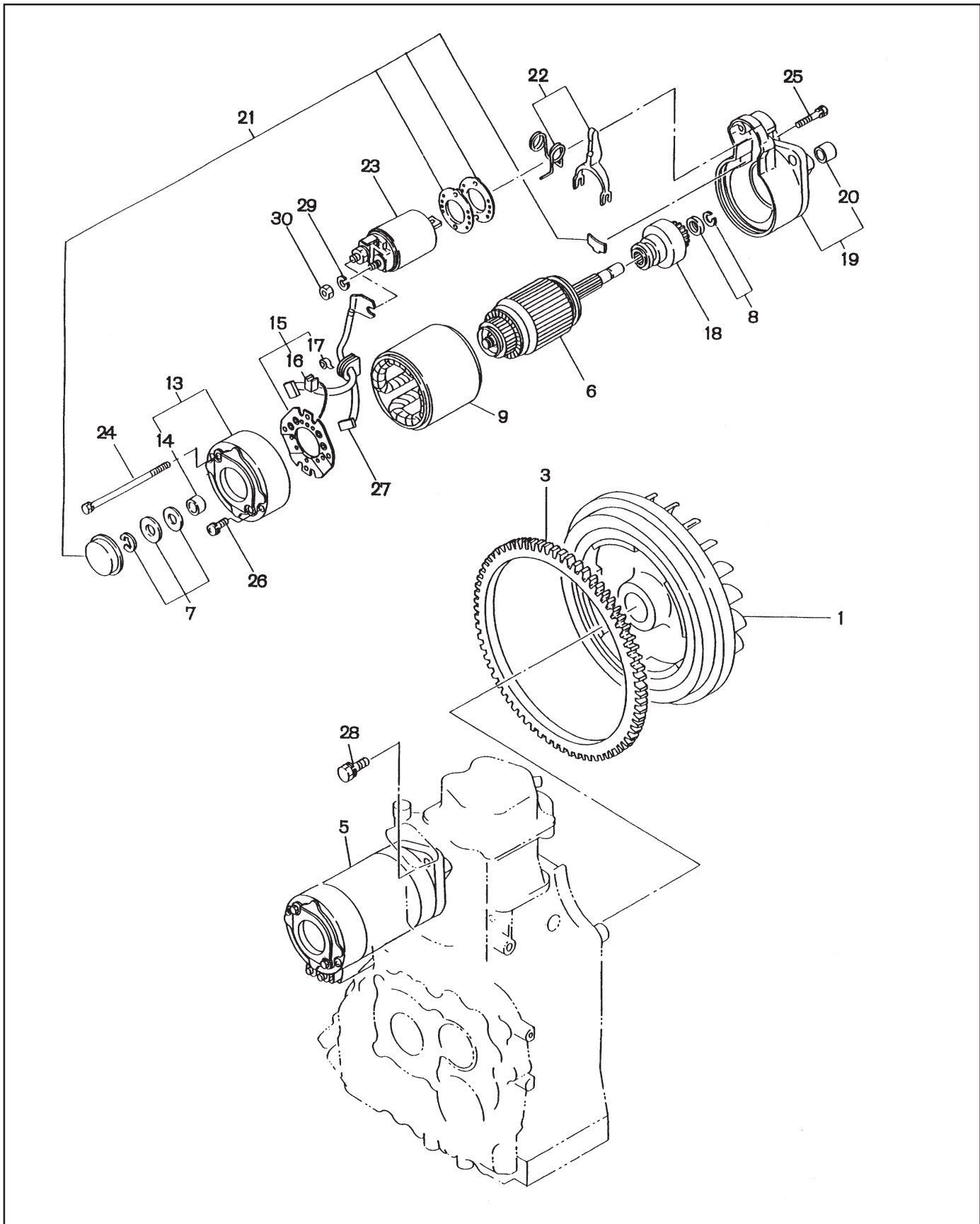
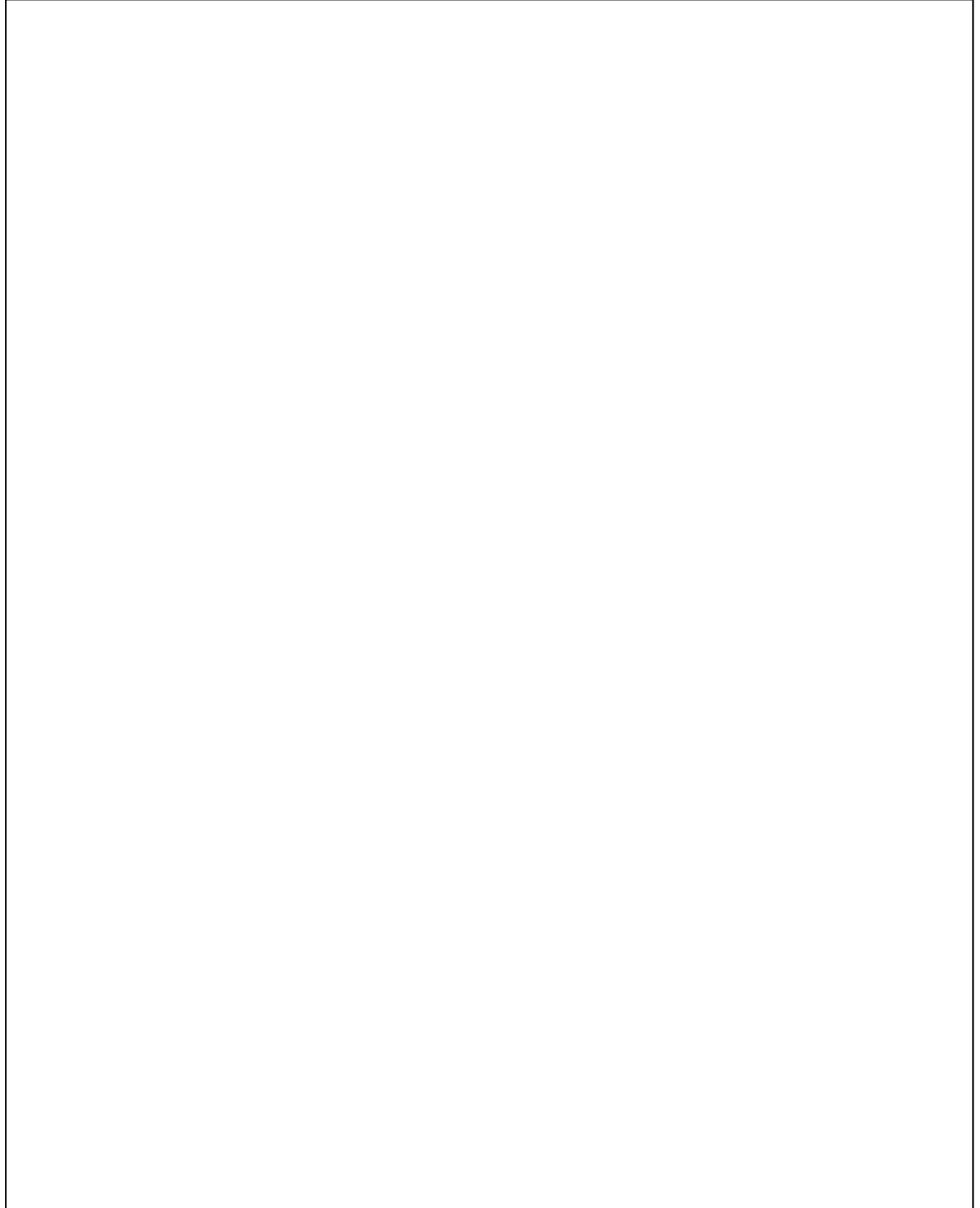


FIG. 12 ELECTRICAL GROUP

REF	PART NUMBER	DESCRIPTION	QTY	REMARKS
1	243-22411-13	FLYWHEEL	1	
3	243-71002-13	RING GEAR	1	
*5	255-70502-00	STARTING MOTOR ASS'Y	1	Includes items 6 thru 9, 13 thru 27
6	255-70561-08	ARMATURE ASS'Y	1	
7	210-70533-08	THRUST WASHER KIT	1	
8	210-70534-08	PINION STOPPER SET	1	
9	255-70580-08	YOKE ASS'Y	1	
*13	255-70505-08	REAR COVER ASS'Y	1	Includes item 14
14	210-70542-08	STARTER METAL	1	
*15	255-70531-08	BRUSH HOLDER ASS'Y	1	Includes items 16, 17, 27
16	228-70514-08	BRUSH (-)	2	
17	228-70516-08	BRUSH SPRING	4	
18	255-70521-08	PINION ASS'Y	1	
*19	255-70501-08	GEAR CASE ASS'Y	1	Includes item 20
20	210-70542-08	STARTER METAL	1	
21	255-70570-08	DUST COVER KIT	1	
22	243-70525-08	SHIFT LEVER KIT	1	
23	255-70515-08	MAGNETIC SWITCH ASS'Y	1	
24	207-70524-08	THROUGH BOLT	2	
25	228-70522-08	BOLT	2	
27	255-70551-08	BRUSH SET	1	
28	001-14083-00	BOLT and WASHER ASS'Y	2	
29	003-20080-00	SPRING WASHER	1	
30	002-28080-00	NUT	1	

- NOTES -

- NOTES -



PRINTED IN THE USA