

# **PARTS MANUAL**

**Model**

**RGD5000  
Generator**

PUB-GP1204  
Rev. 7/98



# GROUP INDEX

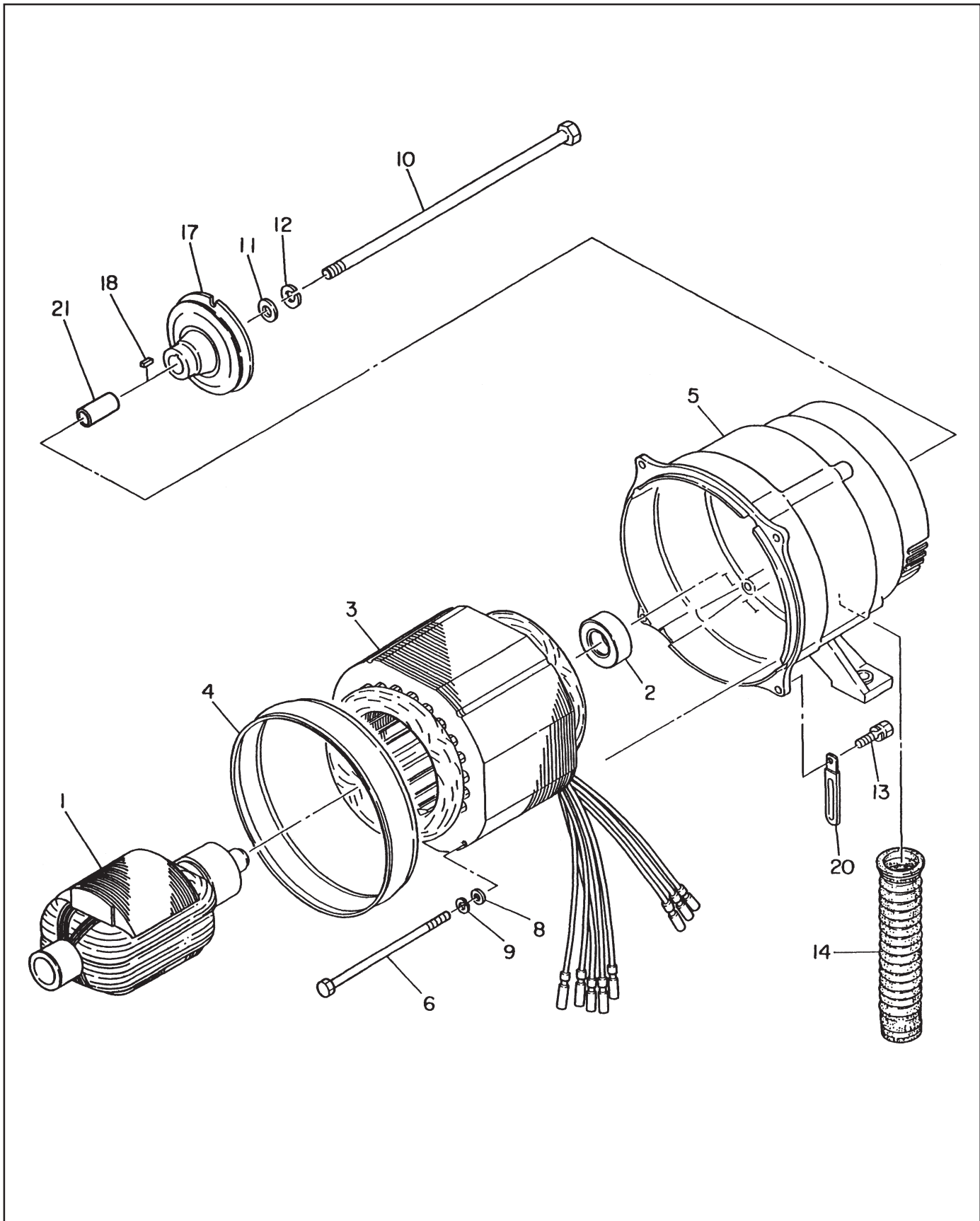
Group Name	Page
GENERATOR GROUP .....	4
FRAME and FUEL TANK GROUP .....	6
CONTROL BOX GROUP .....	8
CRANKCASE GROUP .....	12
CYLINDER and CYLINDER HEAD GROUP .....	14
CRANKSHAFT and PISTON GROUP .....	16
CAMSHAFT and VALVE GROUP .....	18
MUFFLER and AIR CLEANER GROUP .....	20
GOVERNOR OPERATION GROUP .....	22
BLOWER HOUSING GROUP .....	26
RECOIL STARTER GROUP .....	28
FUEL INJECTION PUMP and NOZZLE GROUP .....	30
FUEL FILTER GROUP .....	32
STARTING MOTOR GROUP .....	34

## **Robin America, Inc.**

940 Lively Blvd. • Wood Dale, IL 60191 • Phone: 630-350-8200 • Fax: 630-350-8212  
e-mail: [sales@robinamerica.com](mailto:sales@robinamerica.com) • [www.robinamerica.com](http://www.robinamerica.com)

© Copyright 1998 Robin America, Inc.

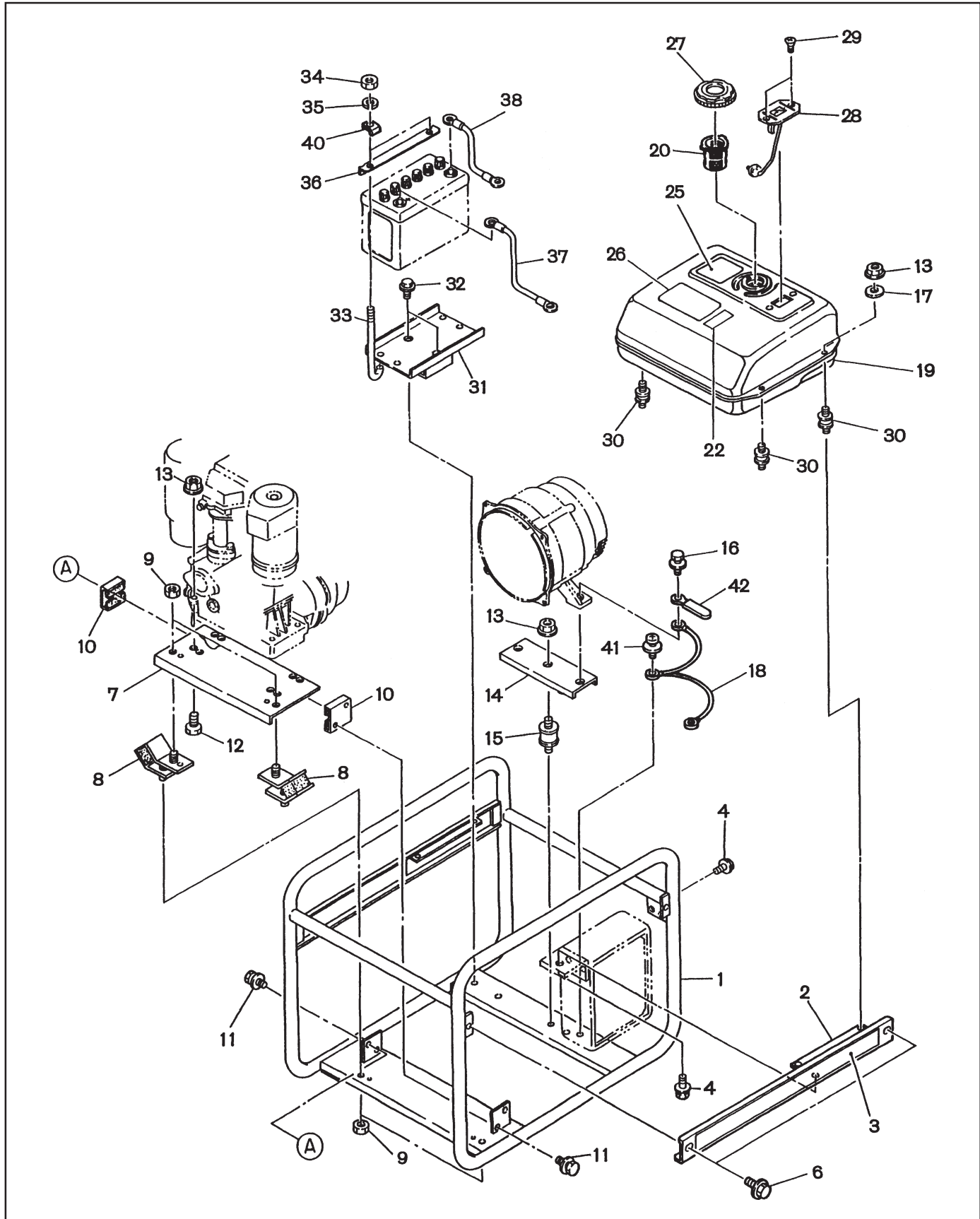
FIG. 1 GENERATOR GROUP



**FIG. 1      GENERATOR GROUP**

REF	PART NUMBER	DESCRIPTION	QTY	REMARKS
*1	386-50529-08	ROTOR, compl.	1	Includes item 2
2	354-58204-08	BALL BEARING (6205-2RS)	1	
3	390-51667-08	STATOR, compl.	1	
4	388-54381-03	SUPPORT RING	1	
5	390-54001-01	REAR COVER, compl.	1	
6	386-59982-03	BOLT	4	
8	003-10060-00	WASHER	4	
9	003-20060-00	SPRING WASHER	4	
10	385-58014-08	THROUGH BOLT	1	
11	020-01001-70	WASHER	1	
12	003-20100-00	SPRING WASHER	1	
13	001-11062-50	BOLT and WASHER ASS'Y	4	
14	385-57510-08	BUSHING	1	
17	228-54201-11	STARTING PULLEY, compl.	1	
18	005-30040-81	KEY	1	
20	056-60002-50	CLAMP	2	
21	385-54418-08	SPACER	1	

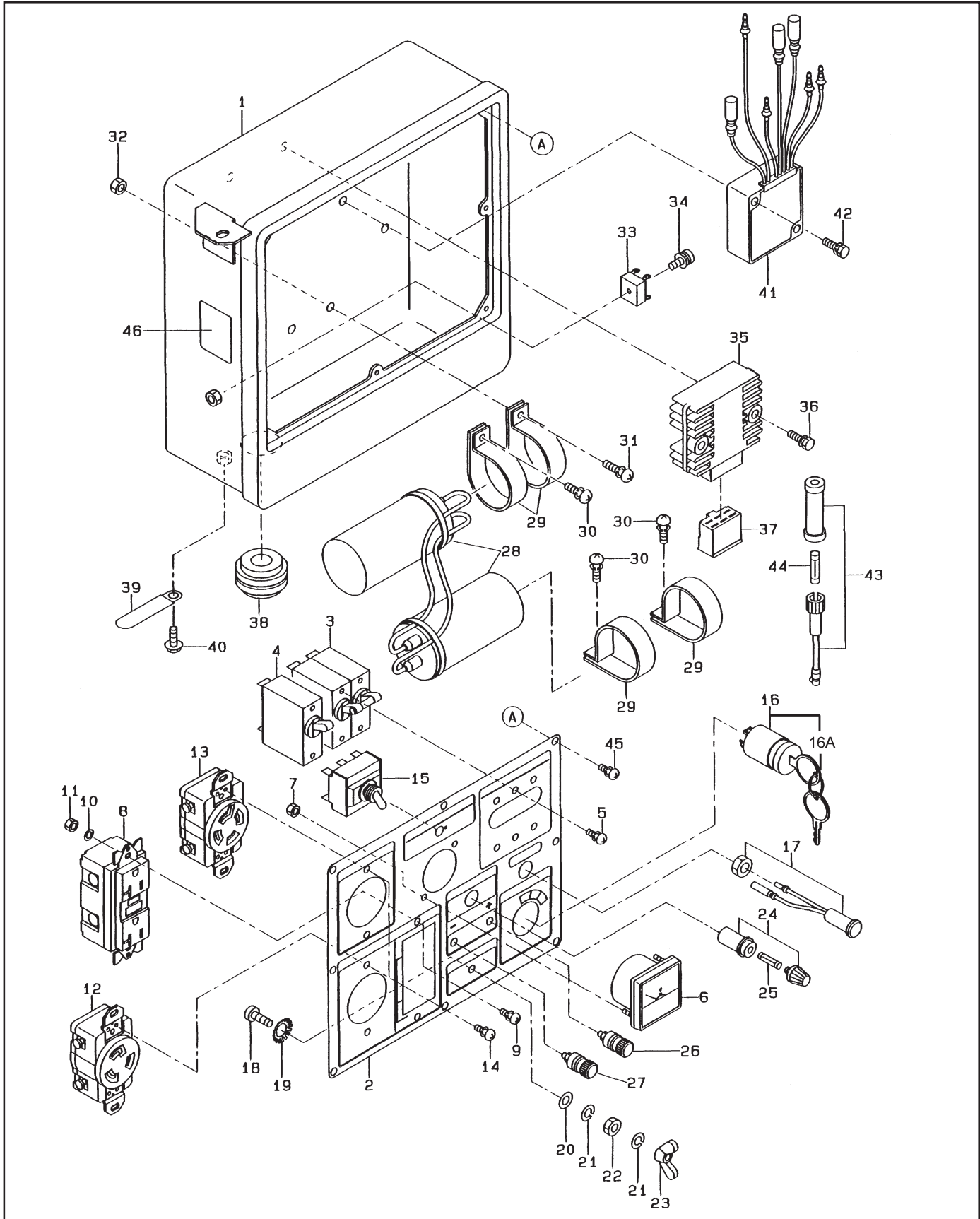
FIG. 2 FRAME AND FUEL TANK



**FIG. 2 FRAME AND FUEL TANK**

REF	PART NUMBER	DESCRIPTION	QTY	REMARKS
1	386-56064-08	PIPE FRAME, compl.	1	
*2	386-58583-08	SIDE PLATE, compl.	1	Includes item 3
3	386-59177-08	LABEL (RGD5000)	1	
4	011-00600-80	BOLT and WASHER ASS'Y	3	
6	359-59933-08	FLANGE BOLT	2	
7	385-54826-08	ENGINE BASE, compl.	1	
8	228-15023-03	VIBRATION ISOLATOR	2	
9	002-18100-00	NUT	4	
10	228-15024-03	STOPPER	2	
11	001-11081-20	BOLT and WASHER ASS'Y	4	
12	001-66085-00	BOLT	4	
13	002-37080-00	FLANGE NUT	9	
14	385-54827-08	GENERATOR BASE, compl.	1	
15	385-57053-08	RUBBER MOUNT	1	
16	001-14082-50	BOLT and WASHER ASS'Y	2	
17	003-10080-00	WASHER	4	
18	385-54399-08	EARTH CORD	1	
19	231-60202-11	FUEL TANK, compl.	1	
20	064-13600-10	FUEL FILTER	1	
22	391-93012-03	LABEL, caution	1	
25	356-59020-08	LABEL, fuel only	1	
26	385-59137-08	LABEL, caution	1	
27	043-04300-15	FUEL TANK CAP, compl.	1	
28	064-80006-00	FUEL GAUGE, compl.	1	
29	014-50500-40	SCREW, counter head	2	
30	356-57045-08	RUBBER VIBRATION ISOLATOR	4	
31	385-54828-08	BATTERY BASE	1	
32	011-00600-20	FLANGE BOLT	2	
33	356-54316-08	BATTERY BOLT	2	
34	002-17060-00	NUT	2	
35	003-20060-00	SPRING WASHER	2	
36	385-54382-08	BATTERY ANGLE	1	
37	385-54383-08	BATTERY CORD (+)	1	
38	385-54384-08	BATTERY CORD	1	
40	385-54416-08	BATTERY SUPPORT	2	
41	376-39100-01	SCREW and WASHER ASS'Y	1	
42	056-60001-70	CLAMP	1	

FIG. 3 CONTROL BOX GROUP





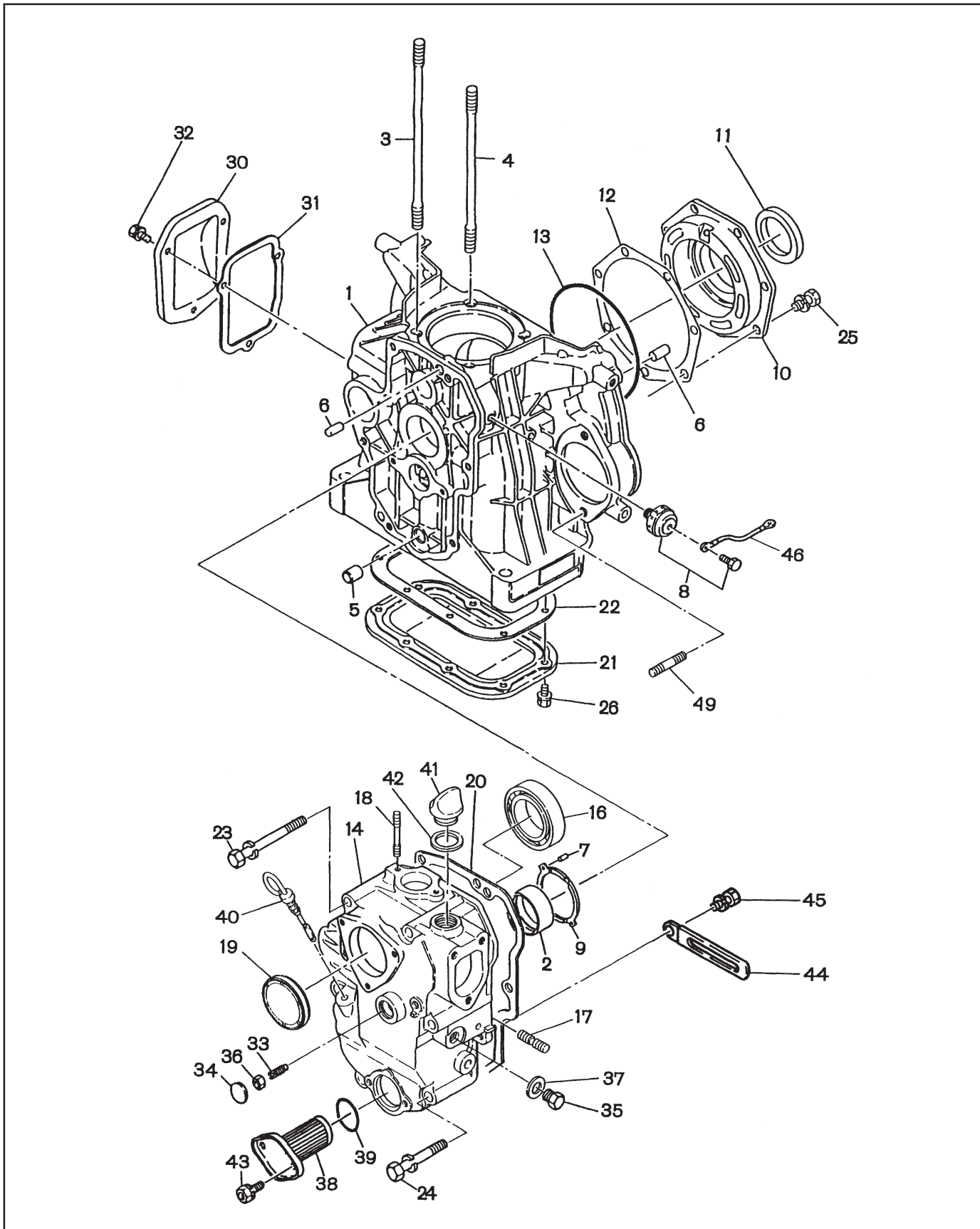
**FIG. 3 CONTROL BOX GROUP**

REF	PART NUMBER	DESCRIPTION	QTY	REMARKS
*1	386-40052-08	CONTROL BOX ASS'Y	1	Includes items 1 thru 45
1	386-40599-08	CONTROL BOX	1	
*2	386-41174-08	CONTROL PANEL A ASS'Y	1	Includes items 2 thru 27
2	386-43883-08	CONTROL PANEL A	1	
3	359-45640-08	NO-FUSE BREAKER (20A)	1	
4	359-45641-08	NO-FUSE BREAKER (30A)	1	
5	387-45653-08	SCREW and WASHER ASS'Y (M3 x 6mm)	6	
6	391-47900-11	V-METER (AC 200V)	1	
7	002-17030-00	NUT (M3)	2	
8	31B-77506-01	AC RECEPTACLE (1 25V-20A GFCI)	1	
9	004-35041-00	SCREW and WASHER ASS'Y	2	
10	388-49969-08	WASHER	2	
11	002-17040-00	NUT	2	
12	380-45749-08	AC RECEPTACLE (125V-30A, TWIST LOCK)	1	
13	353-45724-08	AC RECEPTACLE (125V/250V-20A)	1	For 4P TWIST LOCK
14	356-59937-08	SCREW	4	
15	355-45613-08	SWITCH, full power	1	
16	066-00003-30	STARTER SWITCH	1	Includes item 16A
16A	066-00099-80	KEY SET	2	
17	352-45303-08	LED	1	
18	356-49907-08	SCREW (M5 x 15mm)	1	
19	372-59950-08	SPRING WASHER	1	
20	353-49903-08	WASHER	1	
21	332-00050-08	SPRING WASHER	2	
22	353-49902-08	NUT (M5)	1	
23	353-49901-08	WING NUT (M5)	1	
24	320-59855-08	FUSE HOLDER (DC) (250V-10A)	1	
25	320-59860-08	FUSE (10A)	1	
26	363-45701-08	TERMINAL BOLT (COLOR: RED)	1	
27	363-45700-08	TERMINAL BOLT (COLOR: BLACK)	1	
28	386-47544-08	CONDENSER (30 $\mu$ F x 2)	1	
29	380-47531-08	CONDENSER BRACKET	4	
30	004-35041-00	SCREW and WASHER ASS'Y	3	
31	389-59989-08	SCREW and WASHER ASS'Y (M4 x 15mm)	1	
32	389-59990-08	NUT (M4)	1	
33	353-45804-08	DIODE STACK ASS'Y	1	
34	353-59949-08	SCREW and WASHER ASS'Y (M4 x 18mm)	1	
35	228-76001-11	OIL SENSOR, compl.	1	
36	001-11063-50	BOLT and WASHER ASS'Y	2	
37	385-4732 1-08	CONNECTOR	1	
38	385-57511-08	GROMMET	1	
39	056-60002-50	CLAMP	1	
40	359-59933-08	FLANGE BOLT (M6 x 12mm)	1	
41	228-71920-01	REGULATOR, compl.	1	
42	001-11062-50	BOLT and WASHER ASS'Y	2	
43	385-45517-08	FUSE HOLDER	1	





FIG. 4 CRANKCASE GROUP



**FIG. 4 CRANKCASE GROUP**

REF	PART NUMBER	DESCRIPTION	QTY	REMARKS
*1	231-10117-01	CRANKCASE, compl.	1	Includes items 2 thru 8, 49
2	228-15801-03	MAIN BEARING, STD	1	
2	228-15802-03	MAIN BEARING, under size 0.25mm	1	
2	228-15803-03	MAIN BEARING, under size 0.5mm	1	
3	231-16001-11	TENSION BOLT 1	2	
4	231-16002-11	TENSION BOLT 2	2	
5	228-15003-13	PIPE KNOCK	1	
6	005-26081-80	DOWEL PIN	4	
7	005-19250-60	SPRING PIN	2	
8	942-99513-00	SWITCH ASS'Y, oil pressure	1	
9	228-15002-03	THRUST BEARING	1	
*10	231-11501-21	BEARING HOUSING	1	Includes item 11
11	044-04000-20	OIL SEAL (40 x 58 x 8)	1	
12	231-15004-03	GASKET, t=0.1	1	
12	231-15005-03	GASKET, t=0.2	1	
12	231-15006-03	GASKET, t=0.3	1	
13	231-15014-03	O-RING, bearing housing	1	
*14	231-11403-01	GEAR CASE COVER, compl.	1	Includes items -14 thru 19
16	060-03500-40	BALL BEARING (BB-6007C3)	1	
17	001-32083-51	STUD	3	
18	001-32064-50	STUD	2	
19	041-05000-11	BLIND PLATE	1	
20	231-15007-03	GASKET, case cover (T=0.5)	1	
21	231-11601-03	OIL PAN,	1	
22	231-15034-03	GASKET, oil pan (t=1.5)	1	
23	001-13088-50	BOLT and WASHER ASS'Y	4	
24	001-13086-50	BOLT and WASHER ASS'Y	4	
25	001-13082-00	BOLT and WASHER ASS'Y	7	
26	980-05060-10	BOLT and WASHER ASS'Y	8	
30	228-26001-01	BALANCER COVER	1	
31	228-25004-03	GASKET, balancer cover	1	
32	980-05060-10	BOLT and WASHER ASS'Y	3	
33	014-90600-70	ADJUSTING SCREW	1	
34	041-12200-10	BLIND PLUG	1	
35	040-11200-30	PLUG	1	
36	002-18060-00	NUT.	1	
37	003-70120-00	GASKET, aluminum	1	
38	228-64301-00	OIL FILTER ASS'Y	1	
39	024-03000-10	"O" RING	1	
40	228-63601-01	OIL GAUGE, compl.	1	
41	228-65003-03	;PLUG	1	
42	021-32000-10	GASKET	1	
43	980-05060-10	BOLT and WASHER ASS'Y	2	
44	150-75201-03	CLAMP	2	
45	001-10061-00	BOLT and WASHER ASS'Y	1	
46	228-73147-01	WIRE 11, compl.	1	
49	010-50800-44	STUD	2	

FIG. 5 CYLINDER and CYLINDER HEAD GROUP

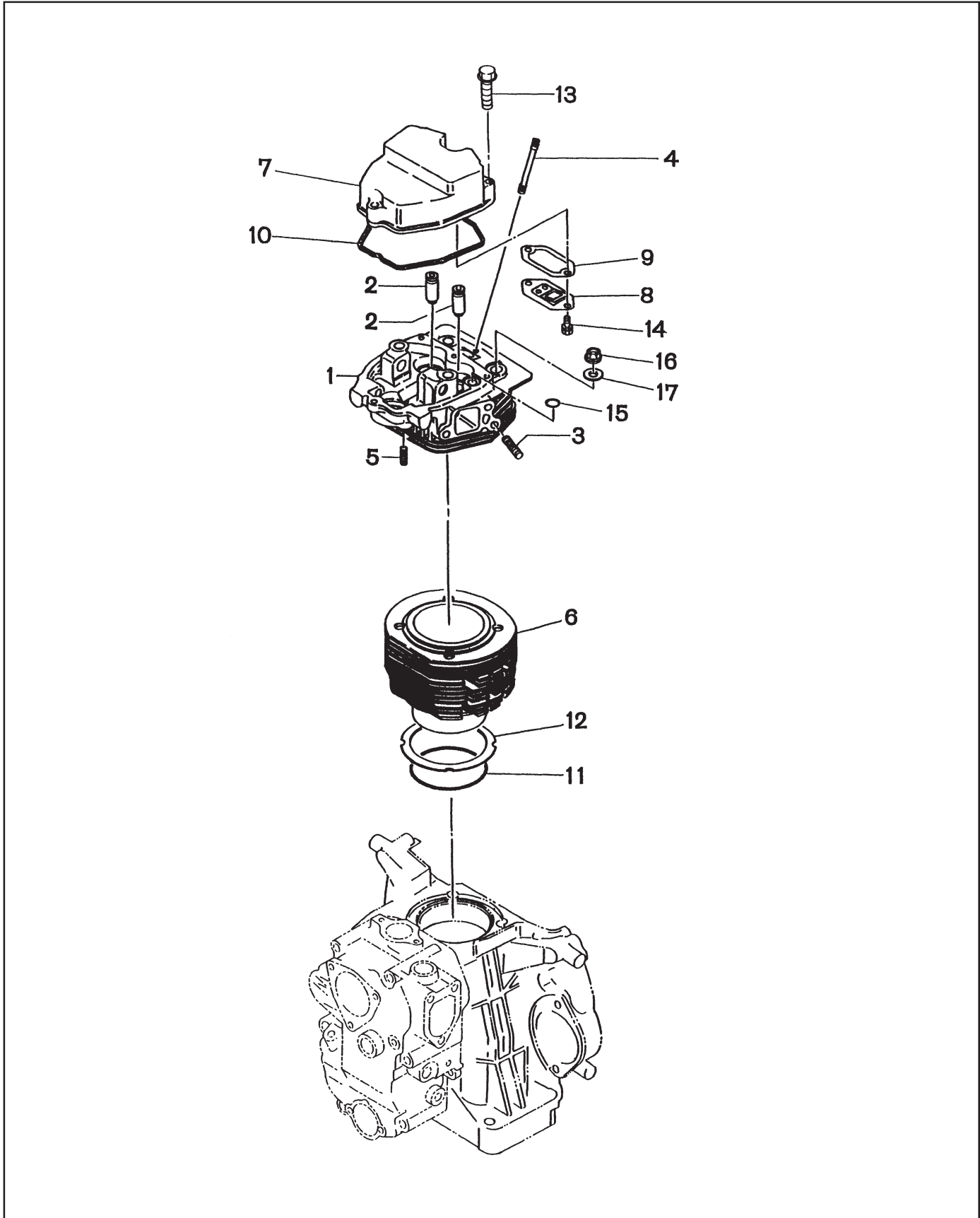
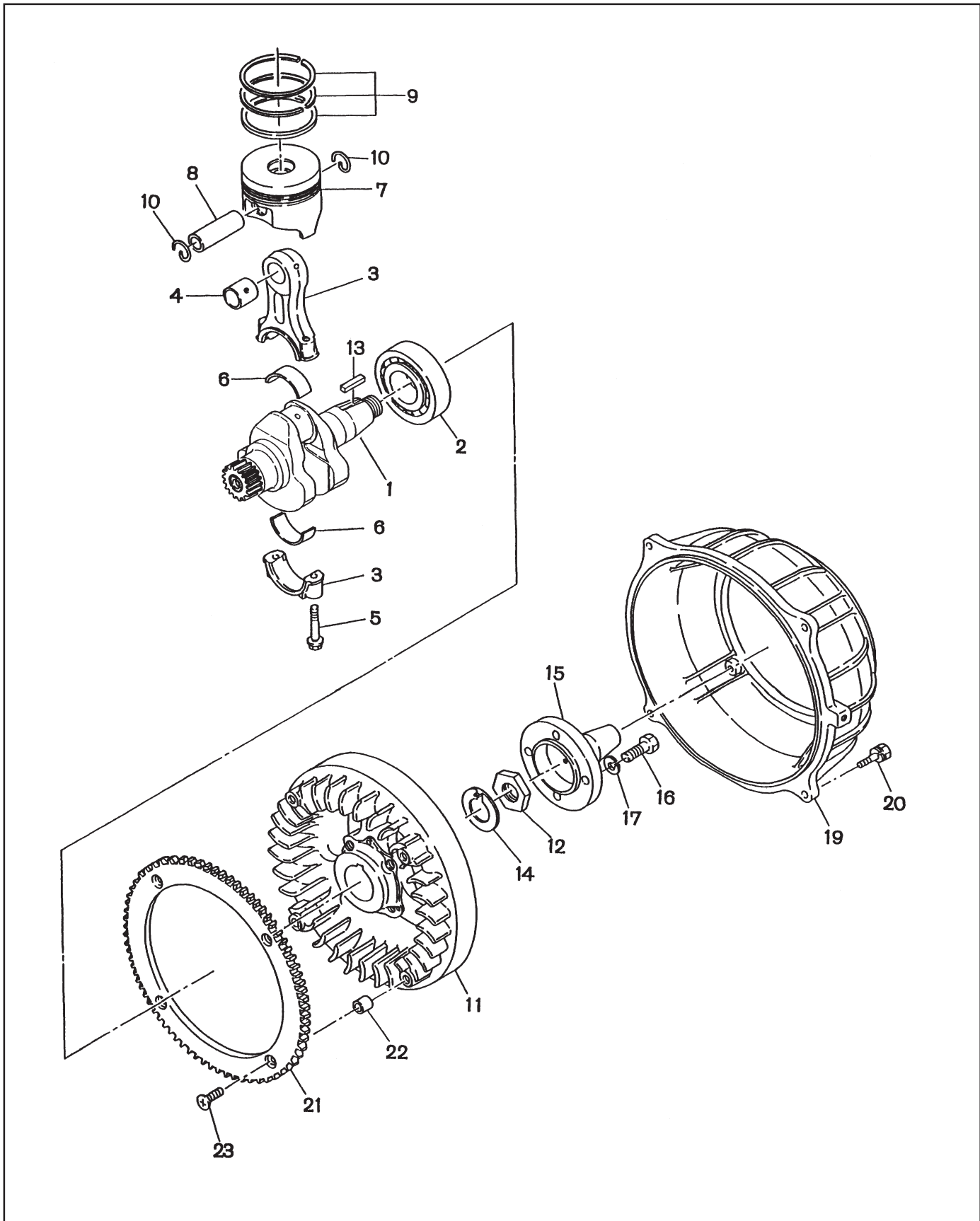




FIG. 6 CRANKSHAFT and PISTON GROUP

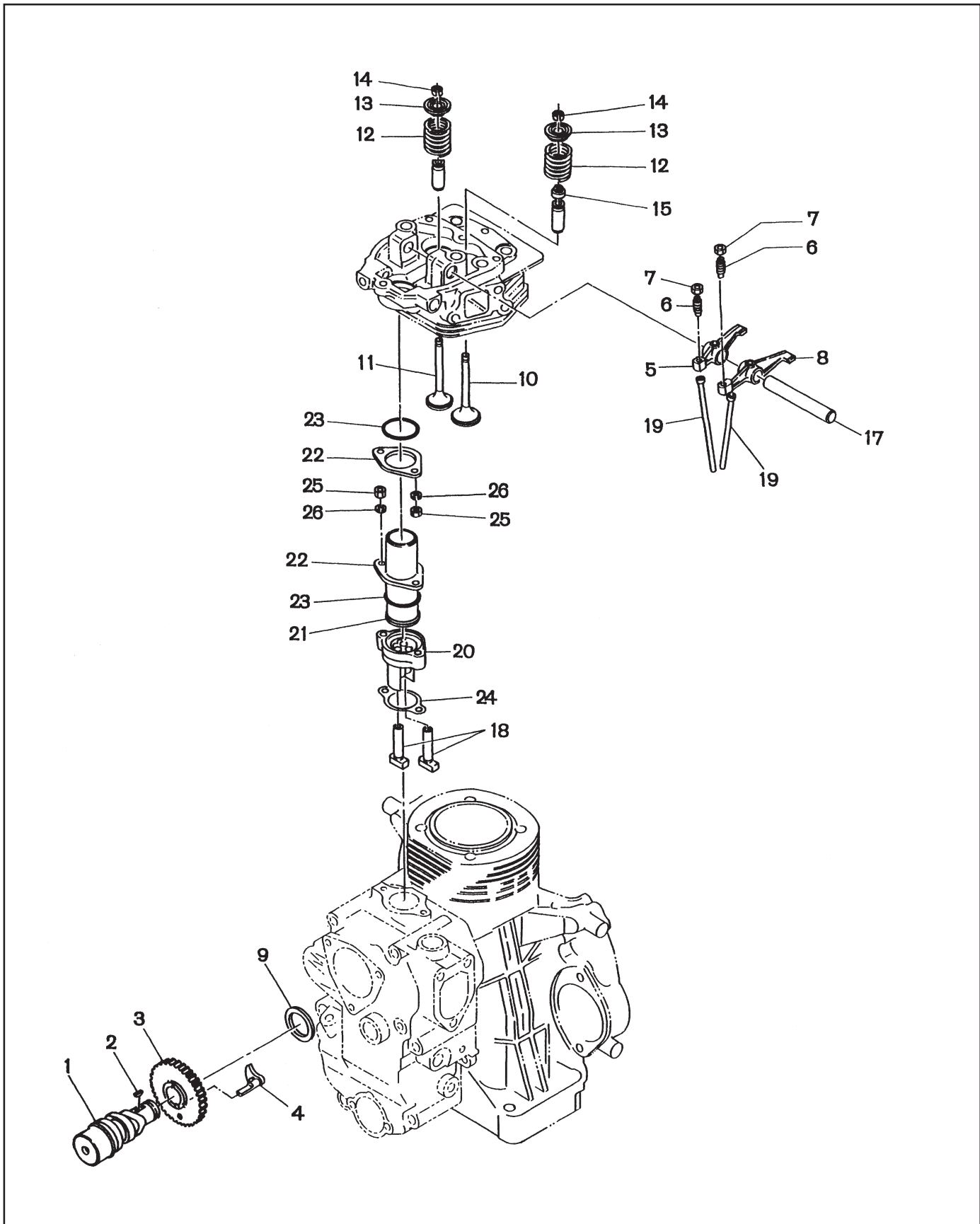




**FIG. 6 CRANKSHAFT and PISTON GROUP**

REF	PART NUMBER	DESCRIPTION	QTY	REMARKS
*1	262-20101-01	CRANKSHAFT, compl.	1	Includes item 2
2	060-04000-30	BALL BEARING (BB-6308C3)	1	
*3	231-22501-10	CONNECTING ROD ASSY	1	Includes items 4 and 5
4	228-22901-13	SMALL END BUSH	1	
5	231-23001-13	CONNECTING ROD BOLT	2	
6	228-22801-13	LARGE END BEARING, STD.	2	
6	228-22802-13	LARGE END BEARING, under size 0.25mm	2	
6	228-22803-13	LARGE END BEARING, under size 0.50mm	2	
7	231-23401-43	PISTON, STD.	1	
7	231-23402-43	PISTON, over size 0.25mm	1	
7	231-23403-43	PISTON, over size 0.50mm	1	
8	228-23301-03	PISTON PIN	1	
9	229-23501-27	PISTON RING SET, STD.	1	
9	229-23502-27	PISTON RING SET, over size 0.25mm	1	
9	229-23503-27	PISTON RING SET, over size 0.50mm	1	
10	056-52100-10	CLIP	2	
11	228-22402-23	FLYWHEEL	1	
12	017-32600-10	LOCK NUT	1	
13	005-30072-01	KEY	1	
14	020-52600-12	LOCK WASHER	1	
15	228-24402-13	DRIVING SHAFT	1	
16	001-67103-00	BOLT	4	
17	003-20100-00	SPRING WASHER	4	
19	228-17821-03	ADAPTER, generator	1	
20	001-13082-50	BOLT and WASHER ASS'Y	4	
21	228-71001-03	RING GEAR	1	
22	243-15011-03	PI E KNOCK	2	
23	004-11082-50	SCREW	4	

FIG. 7 CAMSHAFT and VALVE GROUP



**FIG. 7      CAMSHAFT and VALVE GROUP**

REF	PART NUMBER	DESCRIPTION	QTY	REMARKS
*1	228-31604-00	CAMSHAFT ASS'Y	1	Includes items 1 thru 3
1	228-31604-01	CAMSHAFT, compl.	1	
2	005-32042-01	WOODRUFF KEY	1	
3	228-33222-01	CAMSHAFT GEAR, compl.	1	
4	228-35561-03	RELEASE LEVER	1	
*5	228-36201-01	EXHAUST ROCKER ARM, compl. Includes items 6 and 7	1	
6	014-90600-80	ADJUSTING SCREW	2	
7	017-00600-80	NUT	2	
*8	228-36401-01	INTAKE ROCKER ARM, compl. Includes items 6 and 7	1	
9	023-02000-20	SPACER (t=0.8)	1	
9	023-02000-30	SPACER (t=1.0)	1	
9	023-02000-40	SPACER (t=1.2)	1	
10	228-33401-13	INTAKE VALVE	1	
11	228-33501-03	EXHAUST VALVE	1	
12	228-33601-03	VALVE SPRING	2	
13	228-33701-03	SPRING RETAINER	2	
14	228-33801-03	RETAINER LOCK	4	
15	228-35003-03	VALVE STEM SEAL	1	
17	228-35004-03	ROCKER SHAFT	1	
18	228-33301-03	TAPPET	2	
19	231-35005-03	PUSH ROD	2	
20	228-35701-13	TAPPET GUIDE	1	
21	231-35603-11	PUSH ROD SLEEVE	1	
22	228-35801-01	PLATE, push rod	2	
23	024-03200-70	O-RING	2	
24	228-35013-03	GASKET, tappet guide	1	
25	002-18060-00	NUT	4	
26	003-20060-00	SPRING WASHER	4	

FIG. 8 MUFFLER and AIR CLEANER GROUP

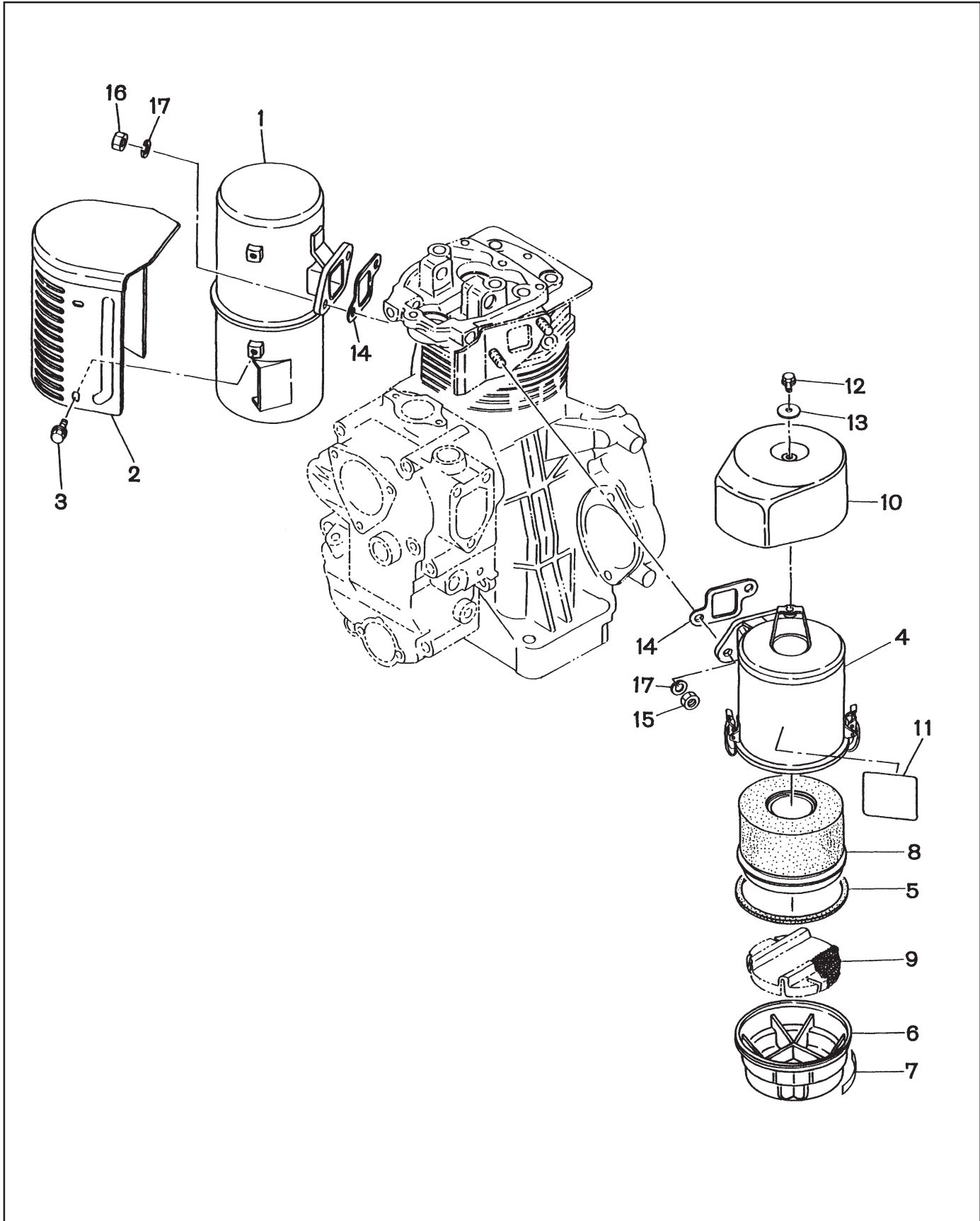
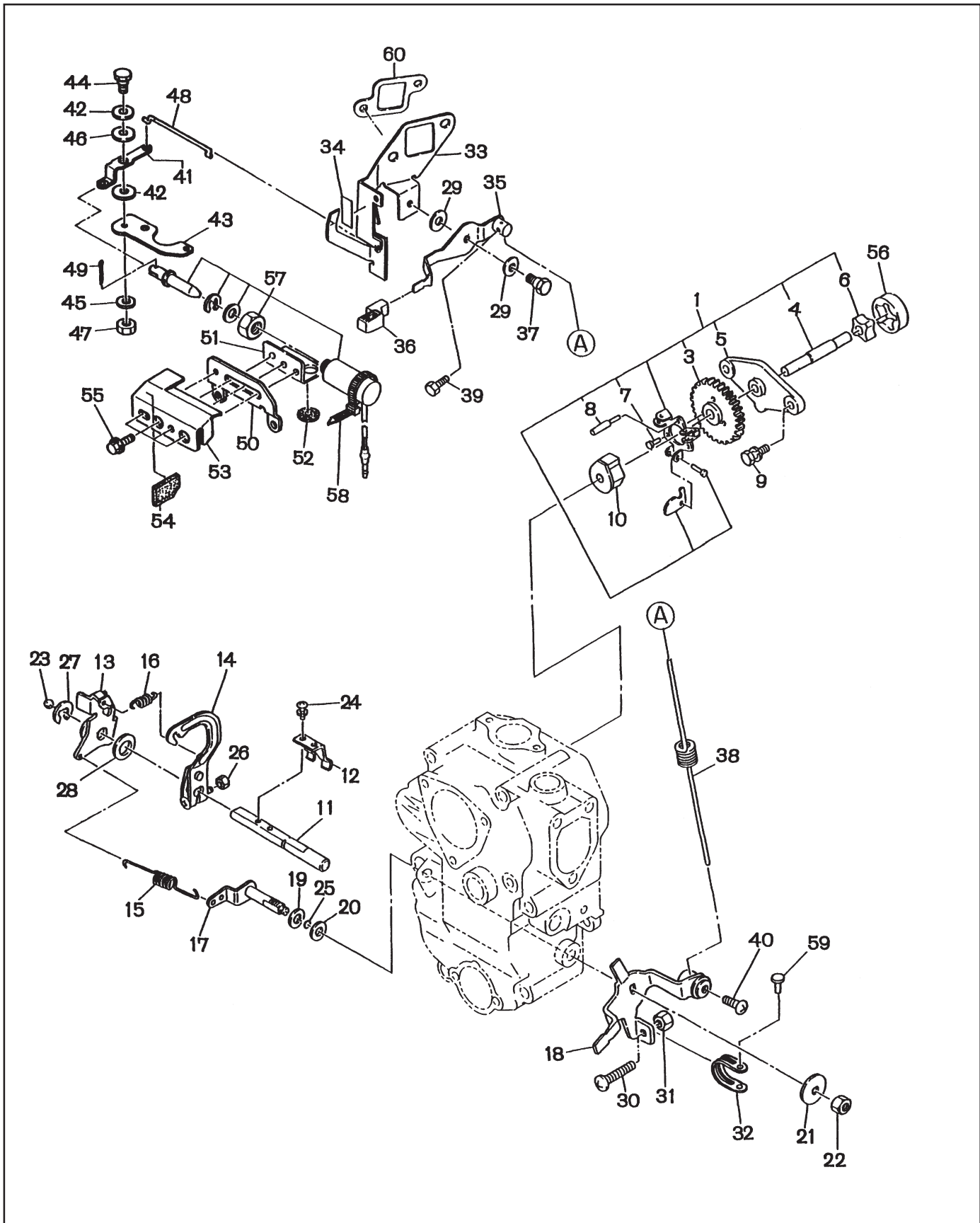




FIG. 9 GOVERNOR OPERATION GROUP



**FIG. 9 GOVERNOR OPERATION GROUP**

REF	PART NUMBER	DESCRIPTION	QTY	REMARKS
*1	228-41701-30	GOVERNOR PLATE ASS'Y	1	Includes items 2 thru 8
3	228-45501-03	GOVERNOR GEAR	1	
4	228-66201-03	PUMP SHAFT	1	
5	228-66101-03	OIL PUMP COVER	1	
6	228-63901-03	OIL PUMP, inner	1	
7	033-00400-10	RIVET	2	
8	030-94000-70	LOCK PIN	1	
9	001-13062-00	BOLT and WASHER ASS'Y	2	
10	228-41910-01	GOVERNOR SLEEVE	1	
11	228-42201-03	GOVERNOR SHAFT	1	
12	228-42101-23	GOVERNOR YOKE	1	
13	228-42301-03	GOVERNOR LEVER 1	1	
14	228-42310-02	GOVERNOR LEVER 2 UNIT	1	
15	228-42501-23	GOVERNOR SPRING	1	
16	228-45001-33	START SPRING	1	
17	228-42904-02	228-42904-02	1	
18	231-43311-01	SPEED CONTROL 1, compl.	1	
19	023-00800-10	SPACER	1	
20	021-70800-10	FRICTION WASHER	1	
21	020-00800-50	WASHER	1	
22	017-00800-20	NUT	1	
23	045-00600-10	STEEL BALL	1	
24	004-35051-20	SCREW and WASHER ASS'Y	2	
25	006-26100-50	O-RING	1	
26	002-18060-00	NUT	1	
27	003-13080-00	CLIP	1	
28	003-10100-00	WASHER	1	
29	003-10080-00	WASHER	2	
30	004-31063-50	SCREW	1	
31	002-18060-00	NUT	1	
32	228-45004-03	LOCK PLATE	1	
33	228-40151-01	CONTROL PANEL, compl.	1	
34	073-20046-00	LABEL, operation	1	
35	228-43361-01	SPEED CONTROL 2, compl.	1	
36	227-43601-03	KNOB	1	
37	228-45301-01	LINK PIVOT	1	
38	231-45005-01	CONTROL SPRING	1	
39	011-50500-10	BOLT	1	
40	004-31051-20	SCREW	1	
*41	231-46110-01	LINK, compl.	1	Includes item 42
42	111-45501-03	NYLON BUSH	2	
43	231-45021-01	BRACKET, pivot	1	
44	228-45301-01	LINK. PIVOT	1	
45	003-10080-00	WASHER	1	
46	021-70800-10	FRICTION WASHER	2	

FIG. 9 GOVERNOR OPERATION GROUP

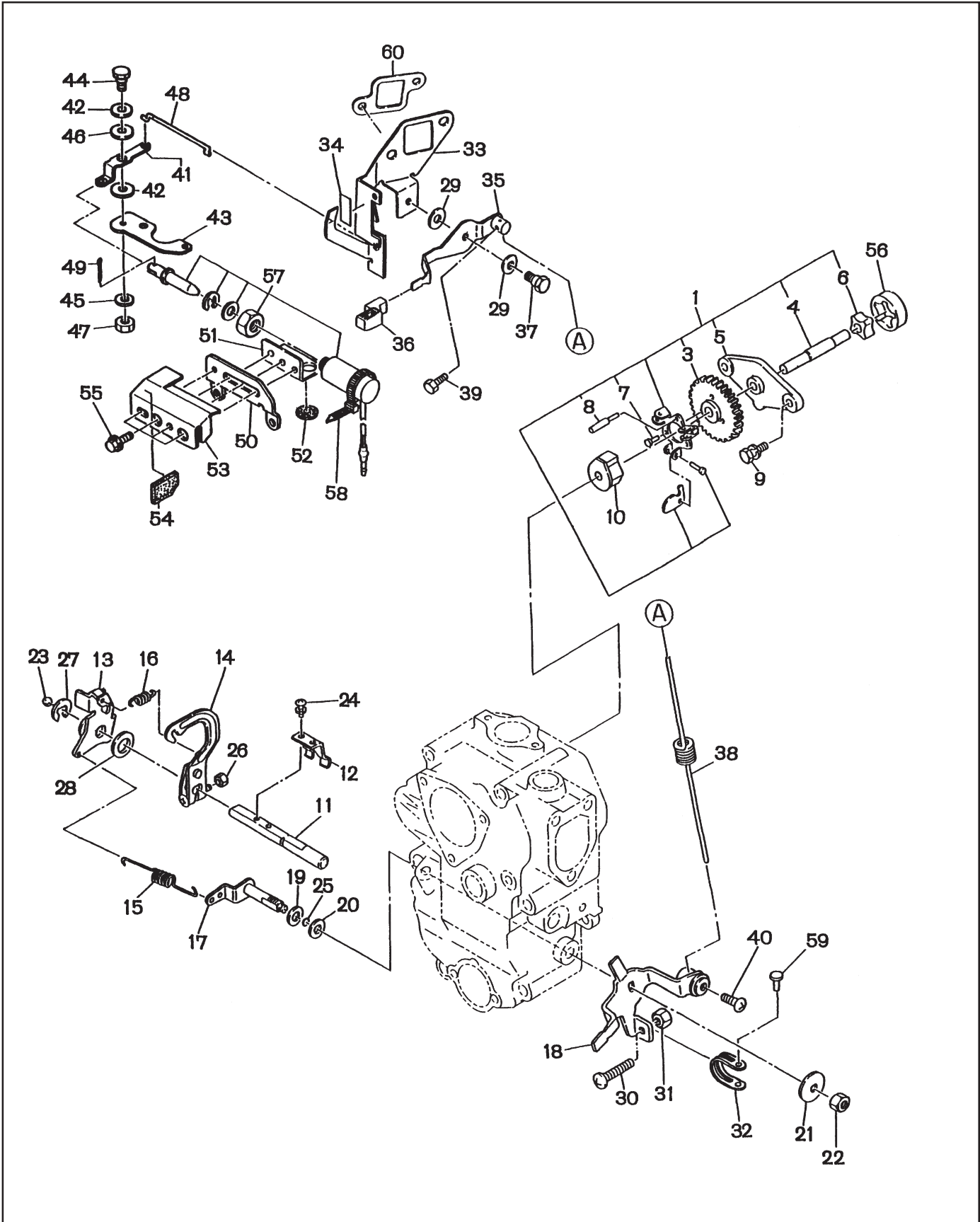






FIG. 10 BLOWER HOUSING GROUP

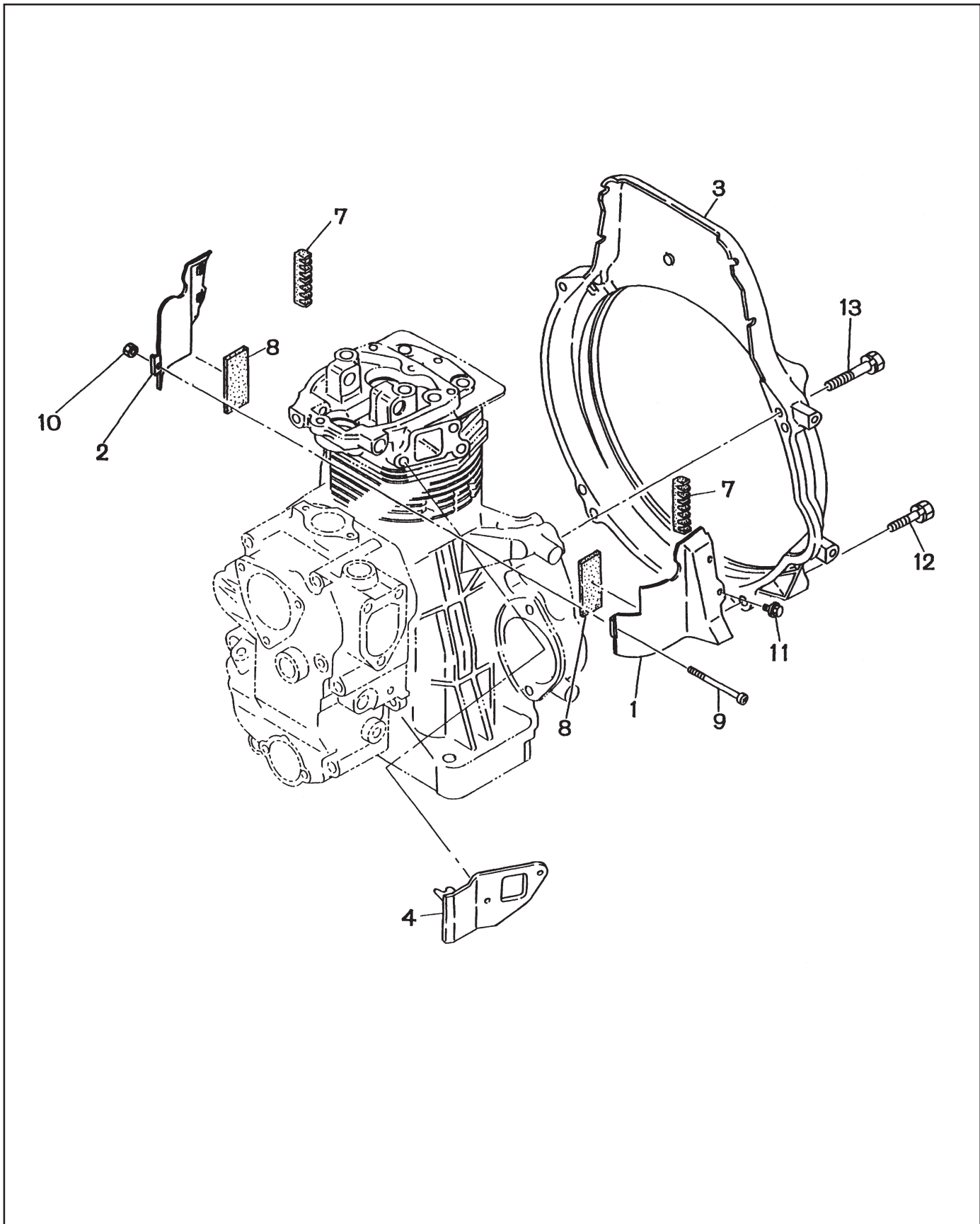
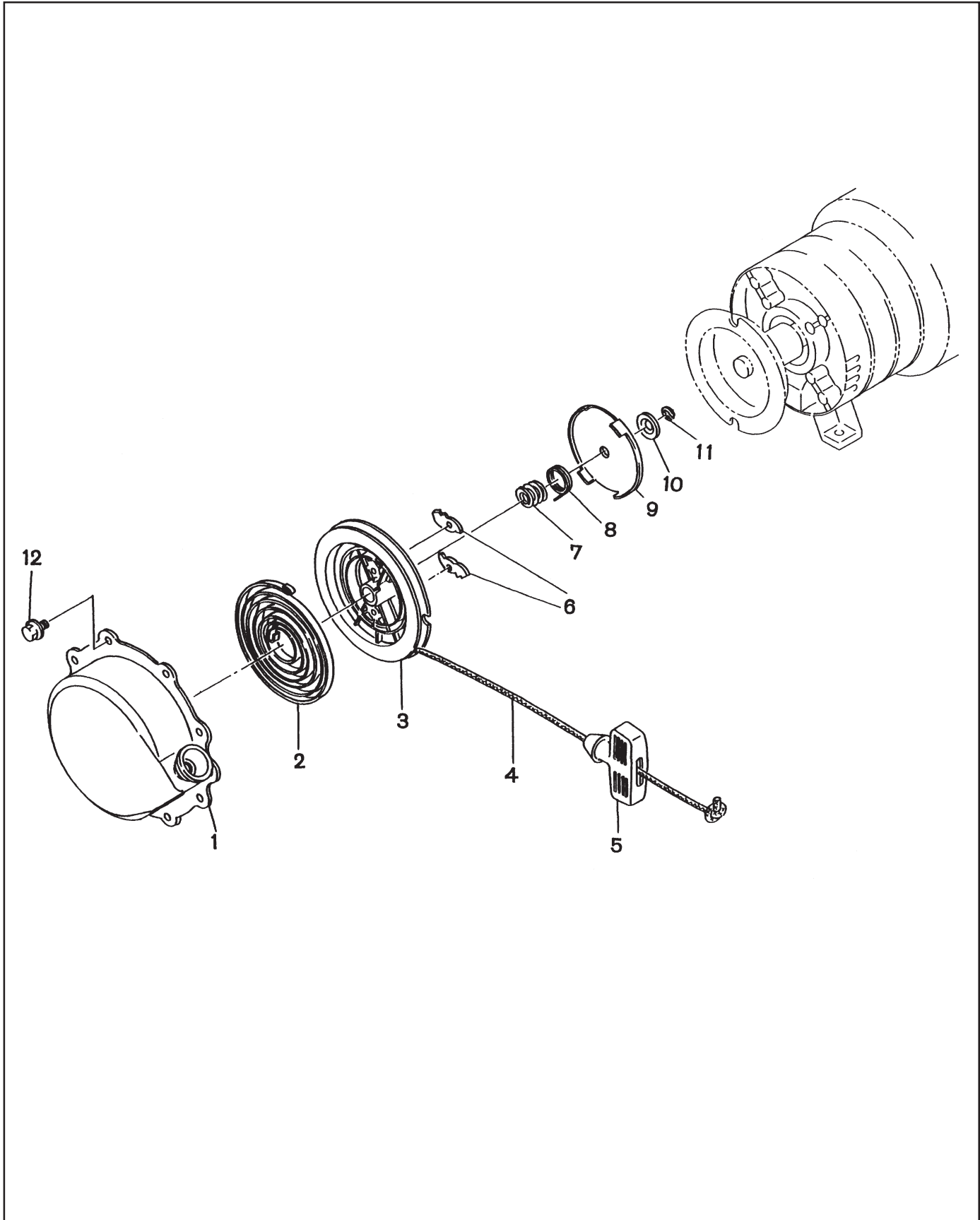




FIG. 11 RECOIL STARTER GROUP



**FIG. 11 RECOIL STARTER GROUP**

REF	PART NUMBER	DESCRIPTION	QTY	REMARKS
1	228-50110-00	RECOIL STARTER ASS'Y	1	Includes items 2 thru 11
2	106-50116-08	SPIRAL SPRING	1	
3	107-50121-08	REEL, compl.	1	
4	228-50110-08	STARTER ROPE	1	
5	206-50101-08	STARTER KNOB	1	
6	106-50128-18	RATCHET	2	
7	106-50132-08	FRICTION SPRING	1	
8	106-50137-18	RETURN SPRING	1	
9	106-50144-08	FRICTION PLATE	1	
10	106-50185-08	THRUST WASHER	1	
11	106-50186-08	CLIP	1	
12	011-00600-10	FLANGE BOLT	4	

FIG. 12 FUEL INJECTION PUMP and NOZZLE GROUP

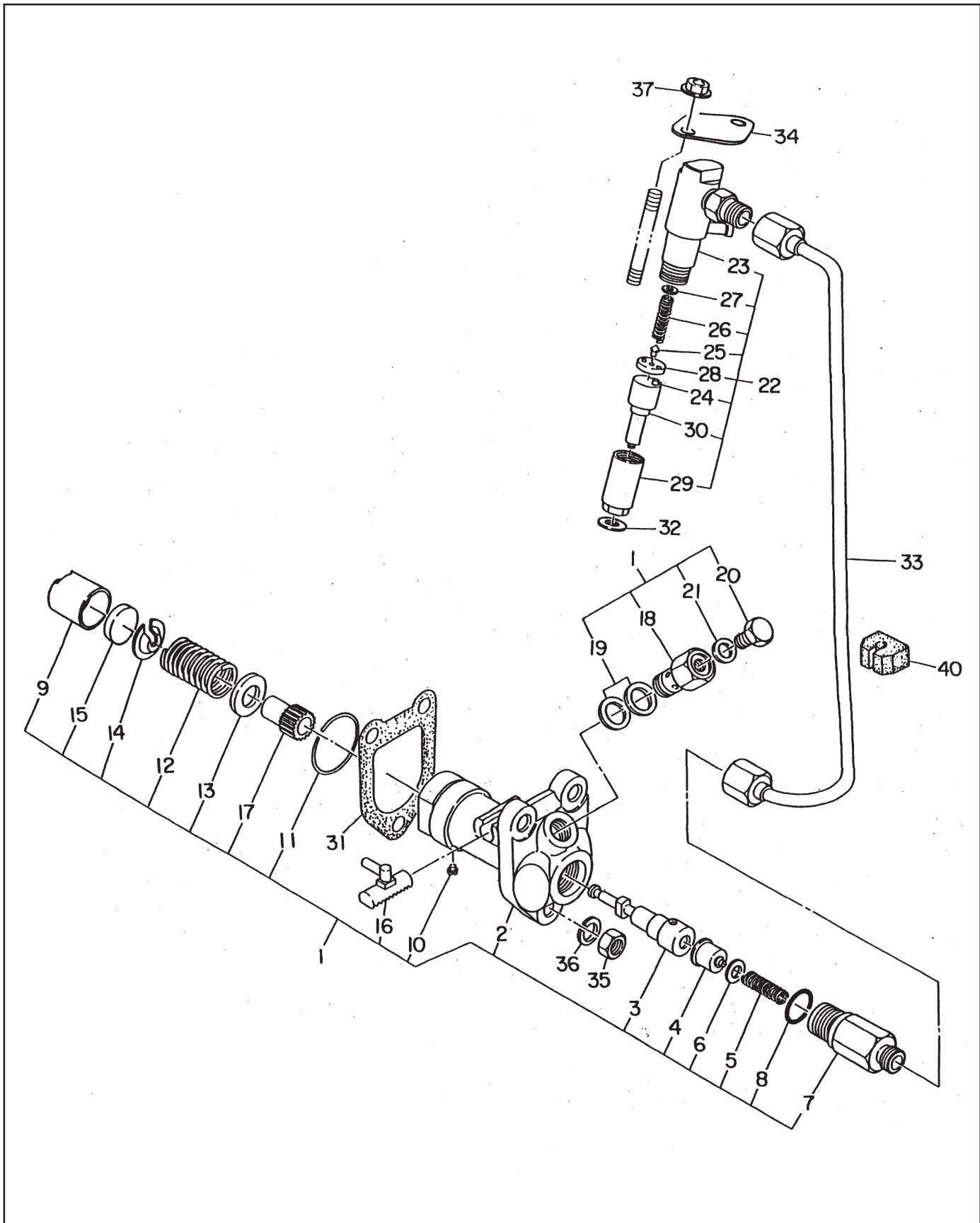
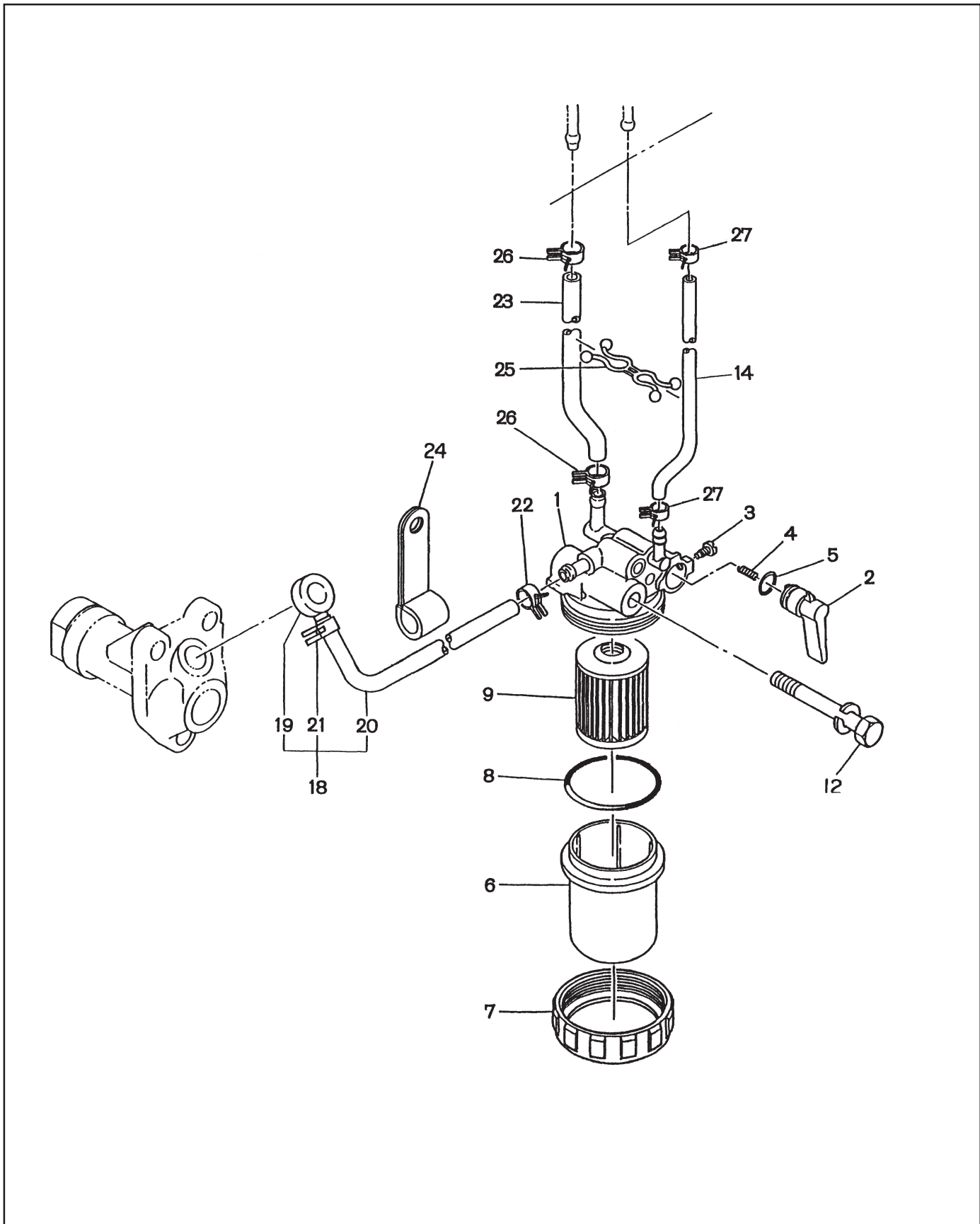




FIG. 13 FUEL FILTER GROUP

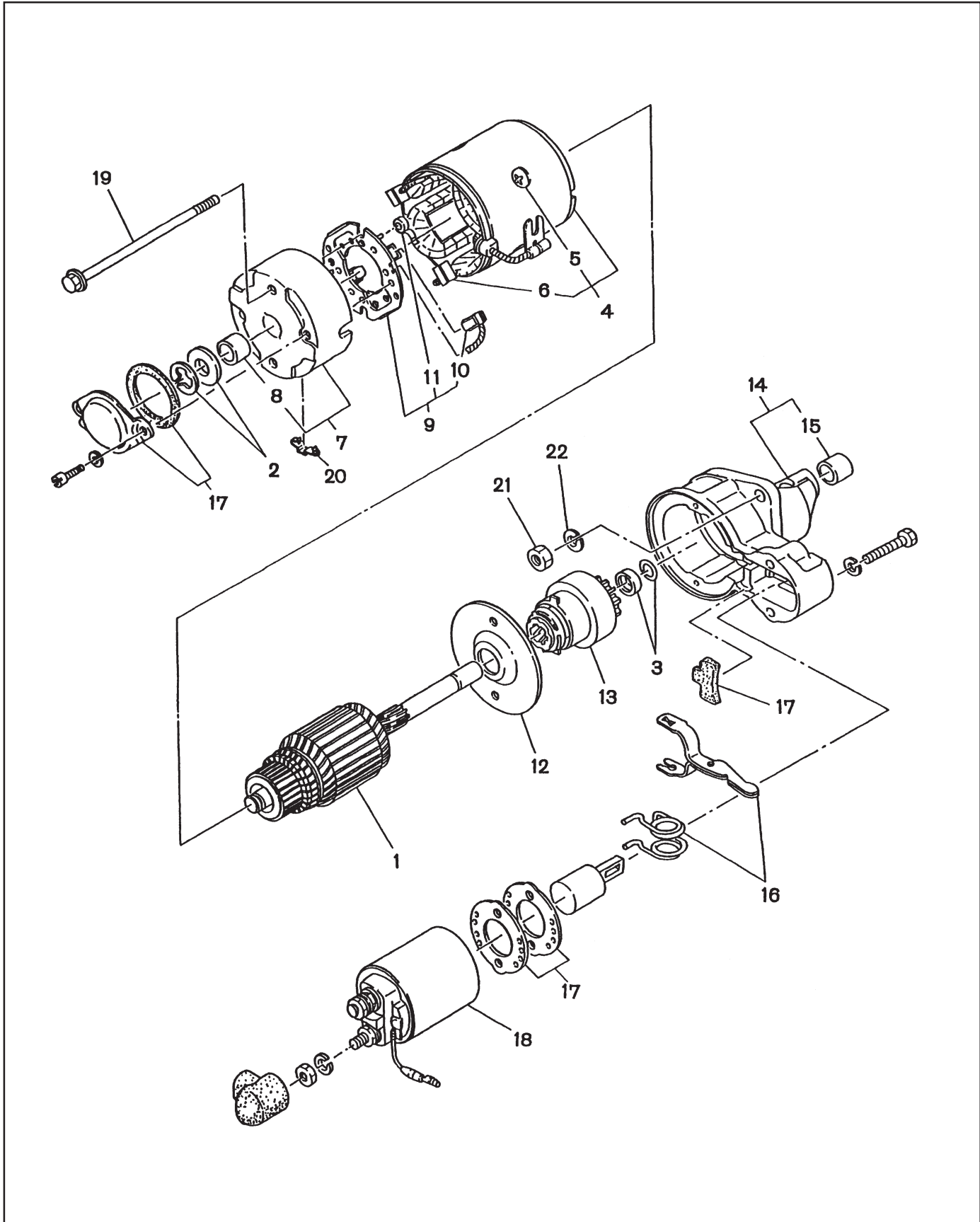




**FIG. 13 FUEL FILTER GROUP**

REF	PART NUMBER	DESCRIPTION	QTY	REMARKS
*1	228-62106-10	FUEL FILTER ASS'Y	1	Includes items 1 thru 9
5	228-62106-08	“O” RING	1	
6	243-62101-08	CUP	1	
7	228-62108-08	RING NUT	1	
8	228-62109-08	“O” RING	1	
9	228-62110-08	ELEMENT	1	
12	001-13086-50	BOLT and WASHER ASS'Y	1	
14	085-14500-00	RUBBER PIPE (ø 4.5 x ø 9 x 180mm)	1	
*18	228-62611-01	FUEL PIPE 11, compl.	1	Includes items 19 thru 21
19	052-10500-12	BANJO	1	
20	085-10600-00	RUBBER PIPE (ø 6 x ø 12 x 250mm)	1	
21	056-11100-20	HOSE CLAMP	1	
22	056-10800-10	HOSE CLAMP	1	
23	085-10600-00	RUBBER PIPE (ø6 x ø 12 x 150mm)	1	
24	228-67010-01	CLAMP, compl.	1	
25	228-65012-03	PURSE LOCK 2	1	
26	056-11100-20	HOSE CLAMP	2	
27	056-10800-10	HOSE CLAMP	2	

FIG. 14 STARTING MOTOR GROUP



### FIG. 14 STARTING MOTOR GROUP

<b>REF</b>	<b>PART NUMBER</b>	<b>DESCRIPTION</b>	<b>QTY</b>	<b>REMARKS</b>
*1	210-70502-10	STARTING MOTOR ASS'Y	1	Includes items 1 thru 20
1	210-70532-08	ARMATURE ASS'Y	1	
2	210-70533-08	THRUST WASHER KIT	1	
3	210-70534-08	PINION STOPPER SET	1	
*4	210-70535-08	FIELD COIL ASS'Y	1	Includes items 5 and 6
5	210-70508-08	POLE CORE SET SCREW	4	
6	210-70539-08	BRUSH (+)	2	
*7	210-70537-18	REAR COVER ASS'Y	1	
8	210-70542-08	REAR COVER METAL	1	
*9	210-70538-08	BRUSH HOLDER ASS'Y	1	Includes items 10 and 11
10	210-70540-08	BRUSH (-)	2	
11	210-70541-08	BRUSH SPRING	4	
12	210-70543-08	CENTER PLATE	1	
13	210-70544-08	PINION ASS'Y	1	
*14	210-70545-08	GEAR CASE ASS'Y	1	Includes item 15
15	210-70547-08	GEAR CASE METAL	1	
16	210-70546-08	SHIFT LEVER KIT	1	
17	210-70550-18	DUST COVER KIT	1	
18	210-70548-08	MAGNETIC SWITCH ASS'Y	1	
19	210-70549-08	THROUGH BOLT	2	
20	210-70551-08	BLIND COVER	1	
21	002-18080-00	NUT	2	
22	003-20080-00	SPRING WASHER	2	

PRINTED IN THE USA