

# **PARTS MANUAL**

**Model**

**RGV12000/12100  
Generator**

PUB-GP1420  
Rev. 12/01



# GROUP INDEX

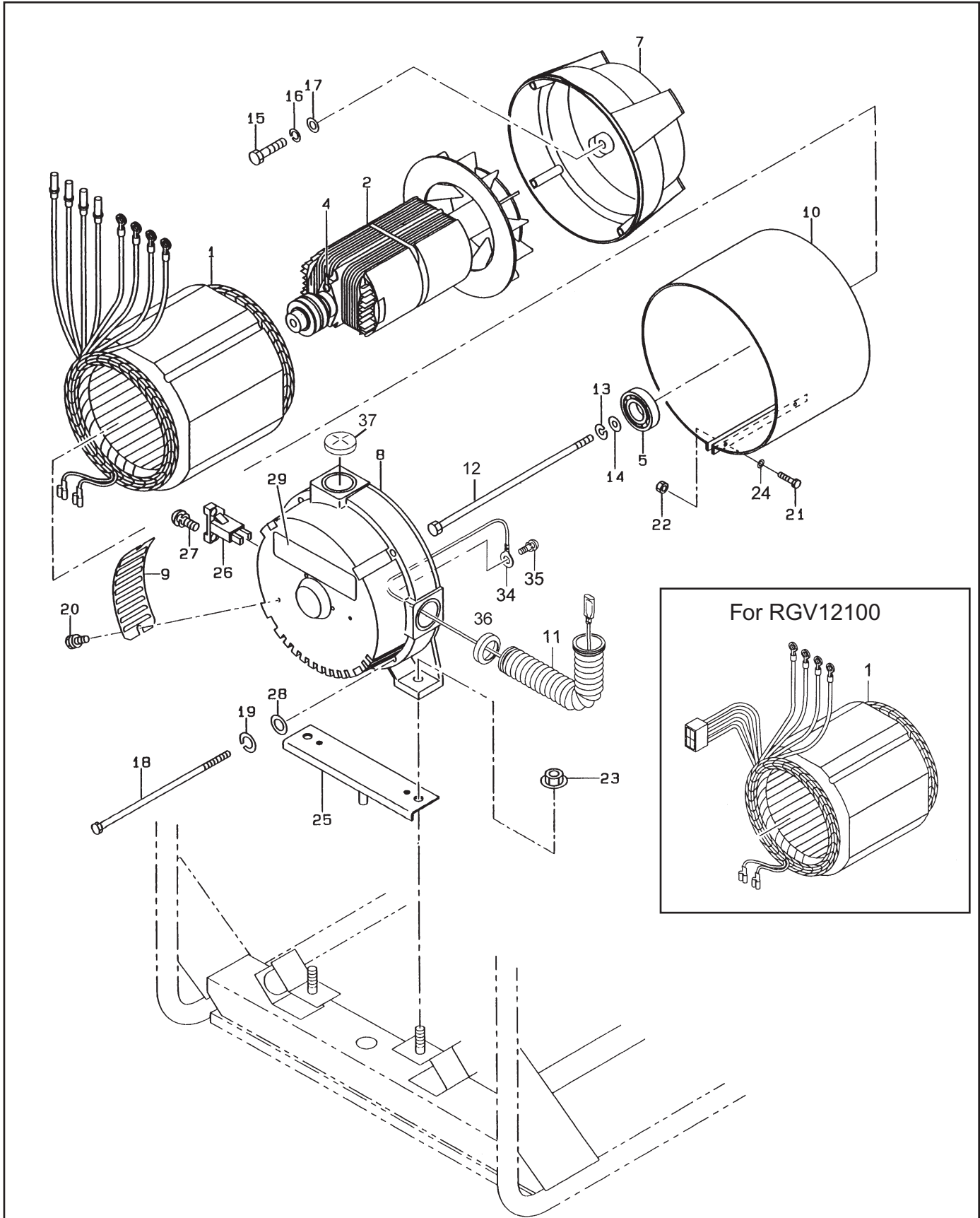
Group Name	Page
GENERATOR .....	4
PIPE FRAME.....	6
CONTROL BOX.....	8
2-WHEEL ASSY. ....	12
4-WHEEL ASSY. ....	14
FUEL TANK .....	16
CRANKCASE GROUP .....	20
CRANKSHAFT GROUP .....	24
INTAKE and EXHAUST GROUP .....	26
GOVERNOR GROUP.....	28
COOLING and STARTING GROUP .....	30
FUEL, LUBRICATION GROUP .....	32
CARBURETOR GROUP .....	36
ELECTRIC GROUP (UP TO NOV. '98).....	40
ELECTRIC GROUP (AFTER DEC. '98) .....	42
STARTING MOTOR GROUP (UP TO NOV. '98).....	44
STARTING MOTOR GROUP (AFTER DEC. '98) .....	46
IDLE CONTROL SYSTEM GROUP .....	48
FUEL PUMP GROUP .....	50

## **Robin America, Inc.**

940 Lively Blvd. • Wood Dale, IL 60191 • Phone: 630-350-8200 • Fax: 630-350-8212  
e-mail: [sales@robinamerica.com](mailto:sales@robinamerica.com) • [www.robinamerica.com](http://www.robinamerica.com)

© Copyright 2001 Robin America, Inc.

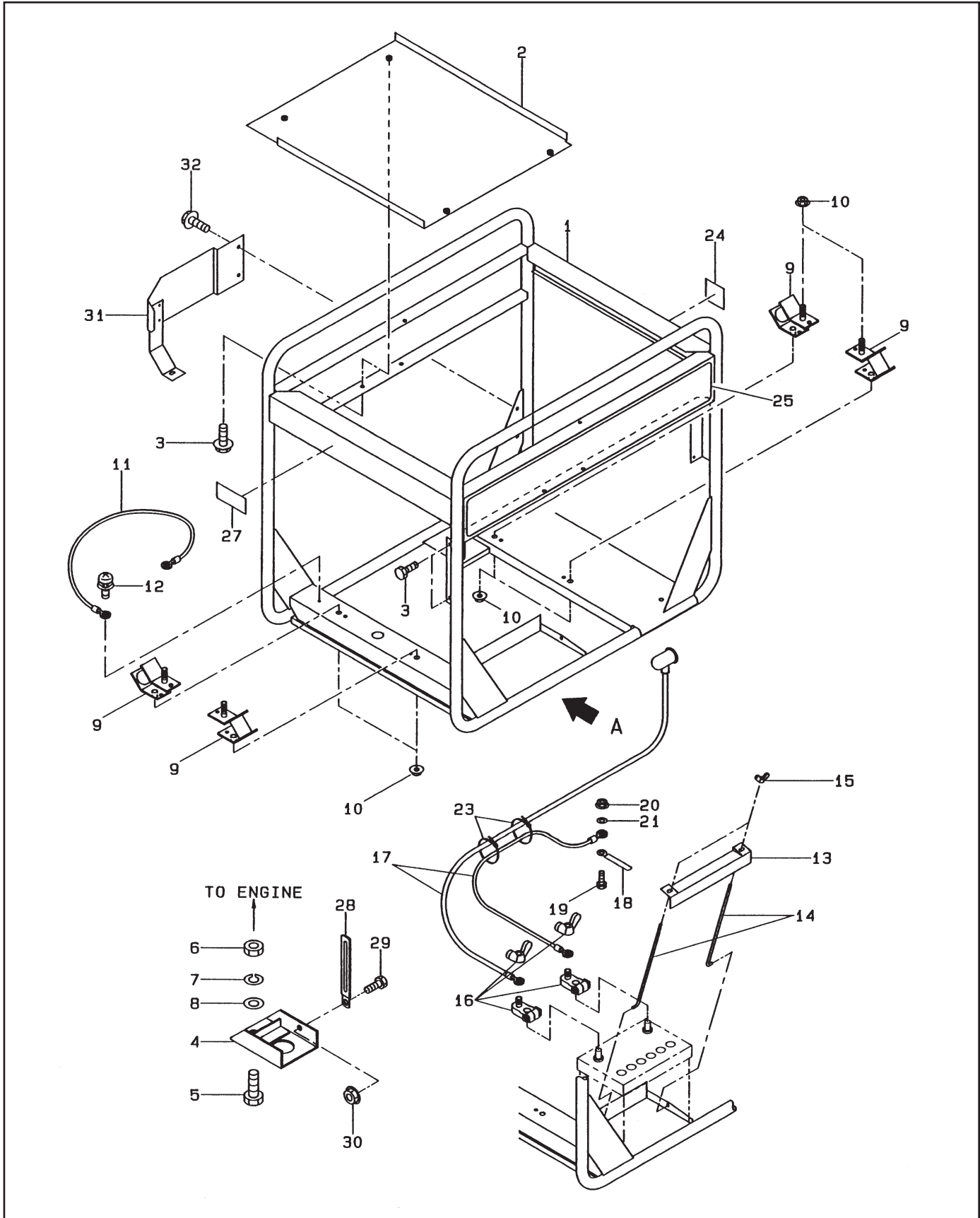
FIG. 1 GENERATOR



**FIG. 1 GENERATOR**

REF	PART NUMBER	DESCRIPTION	QTY	REMARKS
1	31G-52014-01	STATOR, compl.	1	RGV12000
	31G-52015-01	STATOR, compl.	1	RGV12100
*2	31G-52001-01	ROTOR, compl.	1	Includes items 4 and 5
4	31F-54006-03	SURGE ABSORBER	1	RGV12000
5	333-58206-08	BEARING	1	
7	31F-53001-03	FRONT BRACKET	1	
8	31G-53012-01	REAR COVER	1	RGV12000
	31G-53001-01	REAR COVER	1	RGV12100
9	31F-54004-01	BRUSH COVER	1	
10	31F-54003-01	STATOR COVER	1	
11	353-57506-08	BUSHING	1	
12	31F-54002-01	THROUGH BOLT 5/16-24X265mm	1	
13	003-20080-00	SPRING WASHER	1	
14	003-10080-00	WASHER	1	
15	31F-54001-01	BOLT 3/8-16X25mm)	4	
16	003-20100-00	SPRING WASHER	4	
17	003-10100-00	WASHER	4	
18	365-58006-08	COVER BOLT (M8X220mm)	4	
19	003-20080-00	SPRING WASHER	4	
20	356-59953-08	BOLT and WASHER ASS'Y (M5X12mm)	2	
21	31F-54005-01	BOLT (M4X12mm)	2	
22	002-17040-00	NUT (M4)	2	
23	002-38100-00	FLANGE NUT (M10)	2	
24	003-20040-00	SPRING WASHER	2	RGV12100
25	31F-61002-01	GENERATOR BASE	1	
26	31G-74001-01	BRUSH HOLDER, compl.	1	
27	31G-62001-01	SCREW and WASHER ASS'Y(M5 x 20mm)	2	
28	003-10080-00	WASHER	4	
29	31G-81005-03	LABEL, model	1	RGV12000
	31G-81036-03	LABEL, model	1	RGV12100
34	31F-62017-01	EARTH WIRE	1	RGV12100
35	392-49986-08	SCREW and WASHER (M4 x 6mm)	1	RGV12100
36	354-54525-08	CAP	1	RGV12100
37	354-54514-08	CAP	1	RGV12100

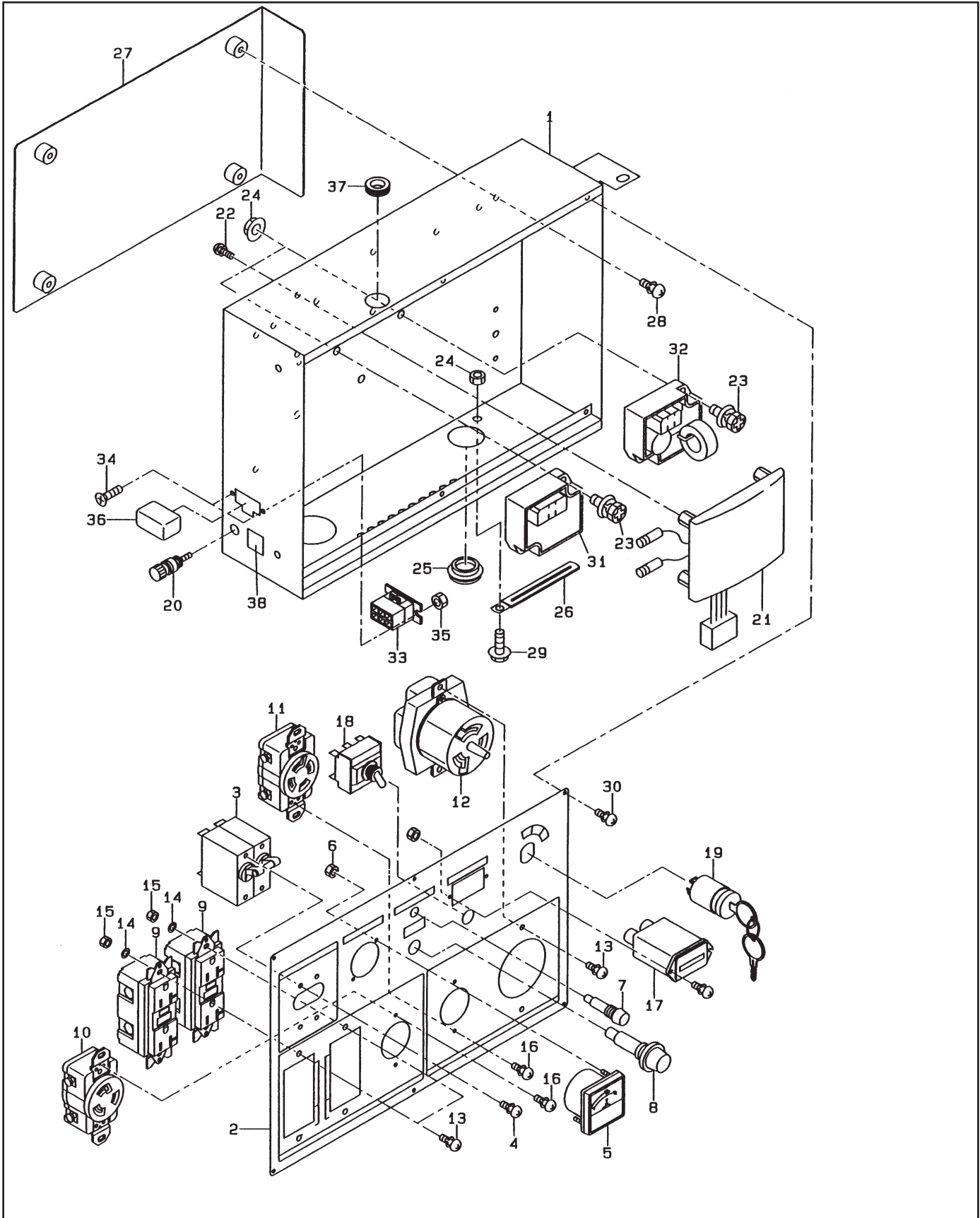
**FIG. 2 PIPE FRAME**



**FIG. 2 PIPE FRAME**

REF	PART NUMBER	DESCRIPTION	QTY	REMARKS
1	31G-61001-01	PIPE FRAME, compl.	1	RGV12000
	31G-61005-01	PIPE FRAME, compl.	1	RGV12100
2	31F-61024-01	BAFFLE PLATE	1	
3	011-00600-80	FLANGE BOLT (M6×12mm)	6	RGV12000
	011-00600-20	FLANGE BOLT (M6×12mm)	4	RGV12100
4	31F-61022-01	STOPPER PLATE	1	
5	001-66104-00	BOLT (M10×40mm)	1	
6	002-17100-00	NUT	1	
7	003-20100-00	SPRING WASHER	1	
8	003-10100-00	WASHER	3	
9	31F-35002-01	MOUNT, compl.	4	
10	002-38100-00	FLANGE NUT (M10)	6	
11	31F-62016-01	EARTH CORD	1	
12	392-49987-08	SCREW and WASHER ASS'Y (M5×8mm)	1	
13	31F-33001-01	BATTERY STAY, compl.	1	
14	978-21611-20	ROD, battery	2	
15	002-41060-00	WING NUT	2	
16	31F-32001-03	BATTERY TERMINAL	1	
17	31F-74016-11	WIRE CABLE SET	1	
18	056-60001-70	CLAMP	1	
19	001-66084-50	BOLT (M8×45mm)	1	
20	002-38080-00	FLANGE NUT (M8)	1	
21	003-10080-00	WASHER	1	
23	056-30000-60	WIRE BAND	5	
24	31F-94102-03	LABEL, fuel strainer	1	RGV12000
	073-20050-80	LABEL, fuel strainer	1	RGV12100
25	31G-81011-03	LABEL, model	1	RGV12000
	31F-81051-03	LABEL, model	1	RGV12100
27	073-20048-60	LABEL, hot & gas	1	
28	056-60002-50	CLAMP	1	
29	011-00600-20	FLANGE BOLT (M6×12mm)	1	
30	002-38060-00	FLANGE NUT (M6)	1	
31	31G-61022-01	COVER PLATE	1	RGV12000
	31G-61024-01	COVER PLATE	1	RGV12100
32	011-00600-80	FLANGE BOLT (M6×12mm)	3	RGV12000
	31G-62002-01	FLANGE BOLT	4	RGV12100
34	31G-61027-01	PLATE, front	1	RGV12100
35	351-49920-08	SCREW and WASHER	2	RGV12100
36	011-00600-20	FLANGE BOLT	2	RGV12100
37	31G-81030-03	LABEL, RGV12100	1	RGV12100
38	011-00600-80	FLANGE BOLT	3	RGV12100

**FIG. 3 CONTROL BOX - RGV12000**

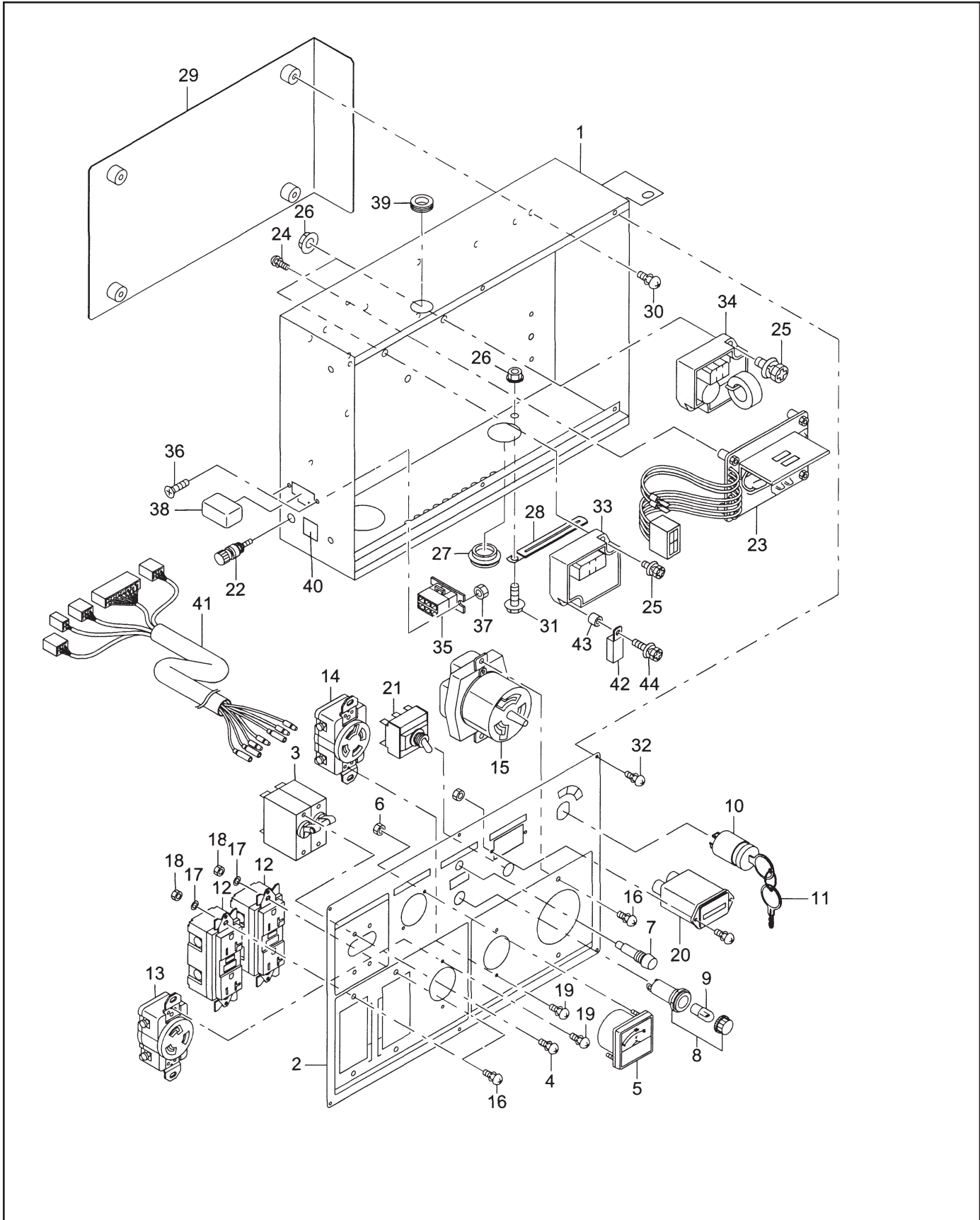




**FIG. 3 CONTROL BOX - RGV12000**

REF	PART NUMBER	DESCRIPTION	QTY	REMARKS
*1	31G-71005-00	CONTROL BOX ASS'Y	1	Includes items 1 thru 38
1	31G-73012-01	CONTROL BOX UNIT	1	
*2	31G-72005-00	CONTROL PANEL ASS'Y	1	Includes items 2 thru 19
2	31G-73015-01	CONTROL PANEL	1	
3	31G-75002-03	NO FUSE BREAKER (2P-39A)	1	
4	31B-79011-03	SCREW and WASHER ASS'Y (M3×5mm)	4	
5	391-47902-01	VOLTMETER	1	I/W 391-47900-11
6	002-17030-00	NUT	2	
7	31F-75016-03	PILOT LAMP	1	
8	393-43101-01	LAMP (OIL)	1	
9	388-85003-01	AC RECEPTACLE (GFCI) 20A	2	
10	380-45749-08	AC RECEPTACLE (125V-30A)	1	
11	31G-75017-03	AC RECEPTACLE (125/250V-30A)	1	
12	31G-75018-03	AC RECEPTACLE (125/250V-50A)	1	
13	351-49920-08	SCREW and WASHER ASS'Y (M4×10mm)	6	
14	003-10040-00	WASHER	12	
15	002-17040-00	NUT	6	
16	31G-75015-03	SCREW and WASHER ASS'Y	4	
17	393-40651-08	HOUR METER	1	
18	344-45615-08	AUTO IDLE SWITCH	1	
19	066-00003-30	KEY SWITCH	1	
20	353-45716-08	TERMINAL BOLT	1	
21	31G-74012-01	AVR ASS'Y	1	120 V label
22	392-49986-08	SCREW and WASHER ASS'Y (M4×6mm)	4	
23	004-36062-00	SCREW and WASHER ASS'Y (M6×20mm)	4	
24	002-38060-00	FLANGE NUT (M6)	5	
25	024-11500-10	GROMMET	1	I/W 389-89001-03
26	056-60002-50	CLAMP	1	
27	31F-73018-01	PLATE	1	
28	366-49997-08	SCREW and WASHER ASS'Y (M5×10mm)	4	
29	011-00600-20	FLANGE BOLT (M6×12mm)	1	
30	351-49920-08	SCREW and WASHER ASS'Y (M4×10mm)	6	
31	KU3-11058-01	ECU(O/S & R/C),compl.	1	
32	KU3-11055-01	IDLE CONTROL UNIT	1	
33	353-47200-08	CONNECTOR (6P)	1	
34	004-35041-00	SCREW and WASHER ASS'Y (M4×10mm)	2	
35	002-17040-00	NUT (M4)	2	
36	31G-49501-03	CONNECTOR CAP	1	
37	024-11500-10	GROMMET	1	
38	30G-49106-08	LABEL, earth	1	

FIG. 3 CONTROL BOX - RGV12100



**FIG. 3 CONTROL BOX - RGV12100**

REF	PART NUMBER	DESCRIPTION	QTY	REMARKS
*1	31G-71016-00	CONTROL BOX ASS'Y	1	Includes items 1 thru 44
1	31F-73012-01	CONTROL BOX UNIT	1	
*2	31G-72015-00	CONTROL PANEL ASS'Y	1	Includes items 2 thru 21
2	31G-73015-21	CONTROL PANEL	1	
3	31G-75002-03	NO FUSE BREAKER (2P-39A)	1	
4	31B-79011-03	SCREW and WASHER ASS'Y (M3×5mm)	4	
5	391-47900-11	VOLTMETER	1	
6	002-17030-00	NUT	2	
7	31F-75016-03	PILOT LAMP	1	
*8	393-43101-01	LAMP, oil	1	Includes item 9
9	393-45006-01	LAMP (18V-0.11A)	1	
*10	066-00003-30	KEY SWITCH	1	Includes item 11
11	066-00099-80	KEY	2	
12	388-85003-01	AC RECEPTACLE (GFCI) 20A	2	
13	380-45749-08	AC RECEPTACLE (125V-30A)	1	
14	31G-75017-03	AC RECEPTACLE (125/250V-30A)	1	
15	31G-75018-03	AC RECEPTACLE (125/250V-50A)	1	
16	351-49920-08	SCREW and WASHER ASS'Y (M4×10mm)	6	
17	003-10040-00	WASHER	12	
18	002-17040-00	NUT	6	
19	31G-75015-03	SCREW and WASHER ASS'Y	4	
20	393-40651-08	HOUR METER	1	
21	344-45615-08	AUTO IDLE SWITCH	1	
22	353-45716-08	TERMINAL BOLT	1	
23	31G-74022-01	AVR ASS'Y	1	240 V label
24	392-49986-08	SCREW and WASHER ASS'Y (M4×6mm)	4	
25	004-36062-00	SCREW and WASHER ASS'Y (M6×20mm)	4	
26	002-38060-00	FLANGE NUT,M6	5	
27	389-89001-03	GROMMET	1	
28	056-60002-50	CLAMP	1	
29	31F-73018-01	PLATE, box	1	
30	366-49997-08	SCREW and WASHER ASS'Y (M5×10mm)	4	
31	011-00600-20	FLANGE BOLT (M6×12mm)	1	
32	351-49920-08	SCREW and WASHER ASS'Y (M4×10mm )	6	
33	KU3-11062-11	ECU(O/S & R/C),compl.	1	
34	KU3-11055-01	IDLE CONTROL UNIT	1	
35	353-47200-08	CONNECTOR, 6P	1	
36	004-35041-00	SCREW and WASHER ASS'Y (M4×10mm)	2	
37	002-17040-00	NUT, M4	2	
38	31G-49501-03	CONNECTOR CAP	1	
39	024-11500-10	GROMMET	1	
40	30G-49106-08	LABEL, earth	1	
41	31G-76011-03	WIRE, compl	1	
42	391-48301-01	RELAY	1	
43	023-00603-30	SPACER	1	
44	001-37060-35	SCREW	1	

FIG. 4 2-WHEEL KIT - RGV12100

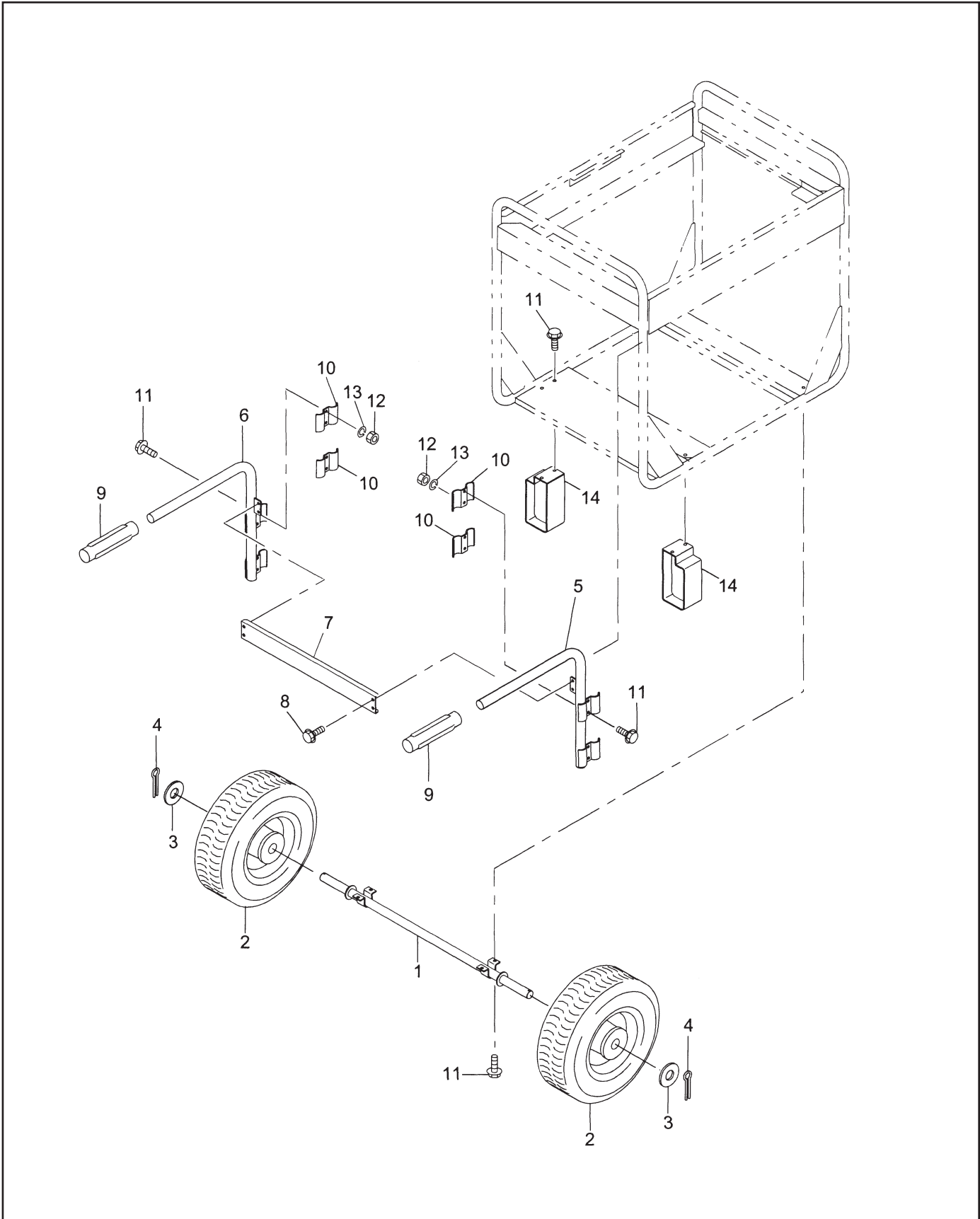
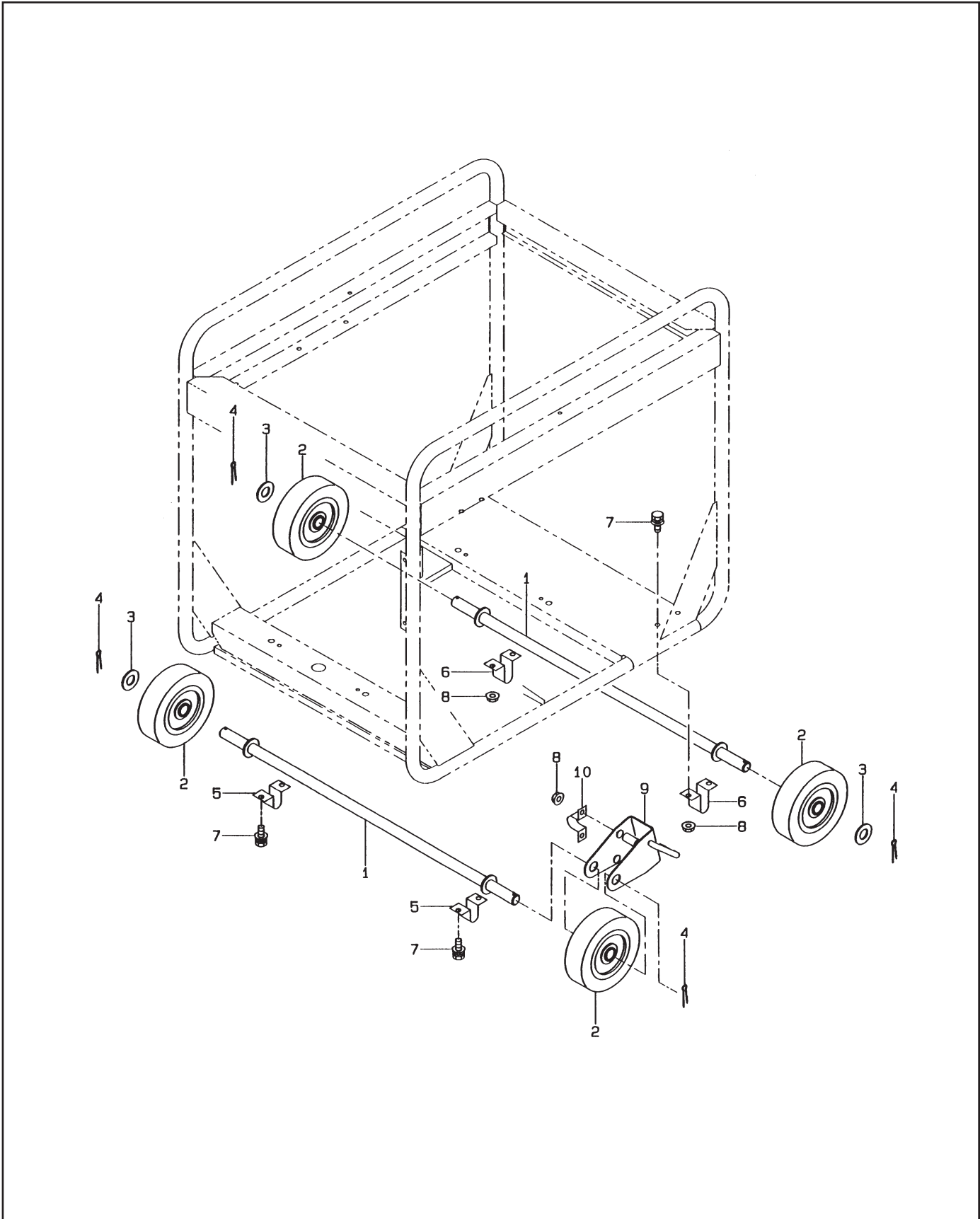




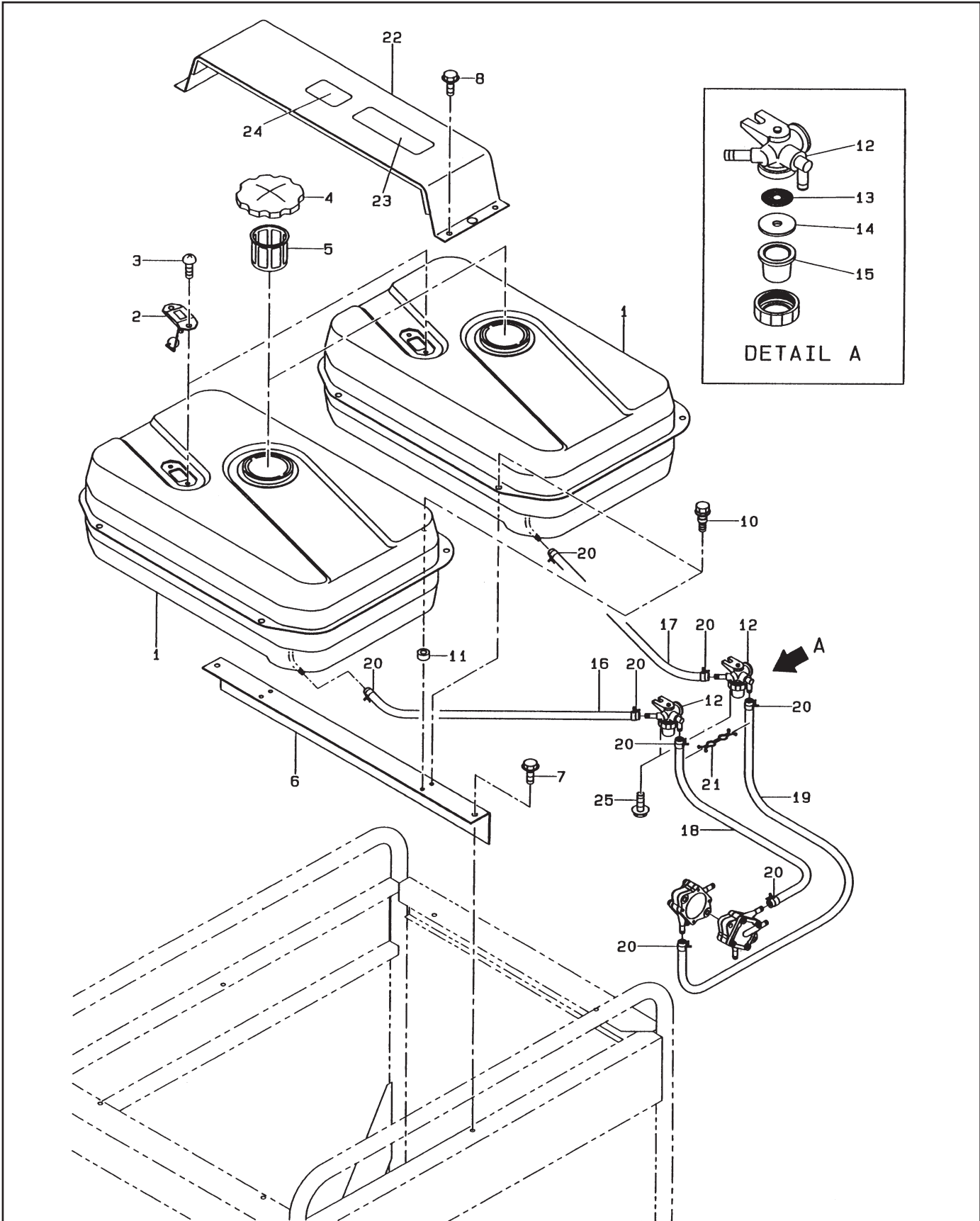
FIG. 4 4-WHEEL KIT



**FIG. 4 4-WHEEL KIT**

<b>REF</b>	<b>PART NUMBER</b>	<b>DESCRIPTION</b>	<b>QTY</b>	<b>REMARKS</b>
1	31F-61006-01	SHAFT UNIT	2	RGV12000
	31G-63021-01	SHAFT UNIT	2	RGV12100
2	385-54389-08	WHEEL	4	
3	385-54390-08	WASHER	4	
4	005-10404-00	COTTER PIN	4	
5	31F-61007-01	BRACKET , generator side	2	
6	31F-61008-01	BRACKET , engine side	2	RGV12000
	31G-63022-01	BRACKET, engine side	2	RGV12100
7	001-14082-00	BOLT and WASHER ASS'Y	8	
8	002-38080-00	FLANGE NUT	6	
9	31G-39501-00	STOPPER ASS'Y	1	
10	31G-61023-01	CLAMP	1	RGV12000
	31G-61026-01	CLAMP	1	RGV12100

**FIG. 5 FUEL TANK - RGV12000**

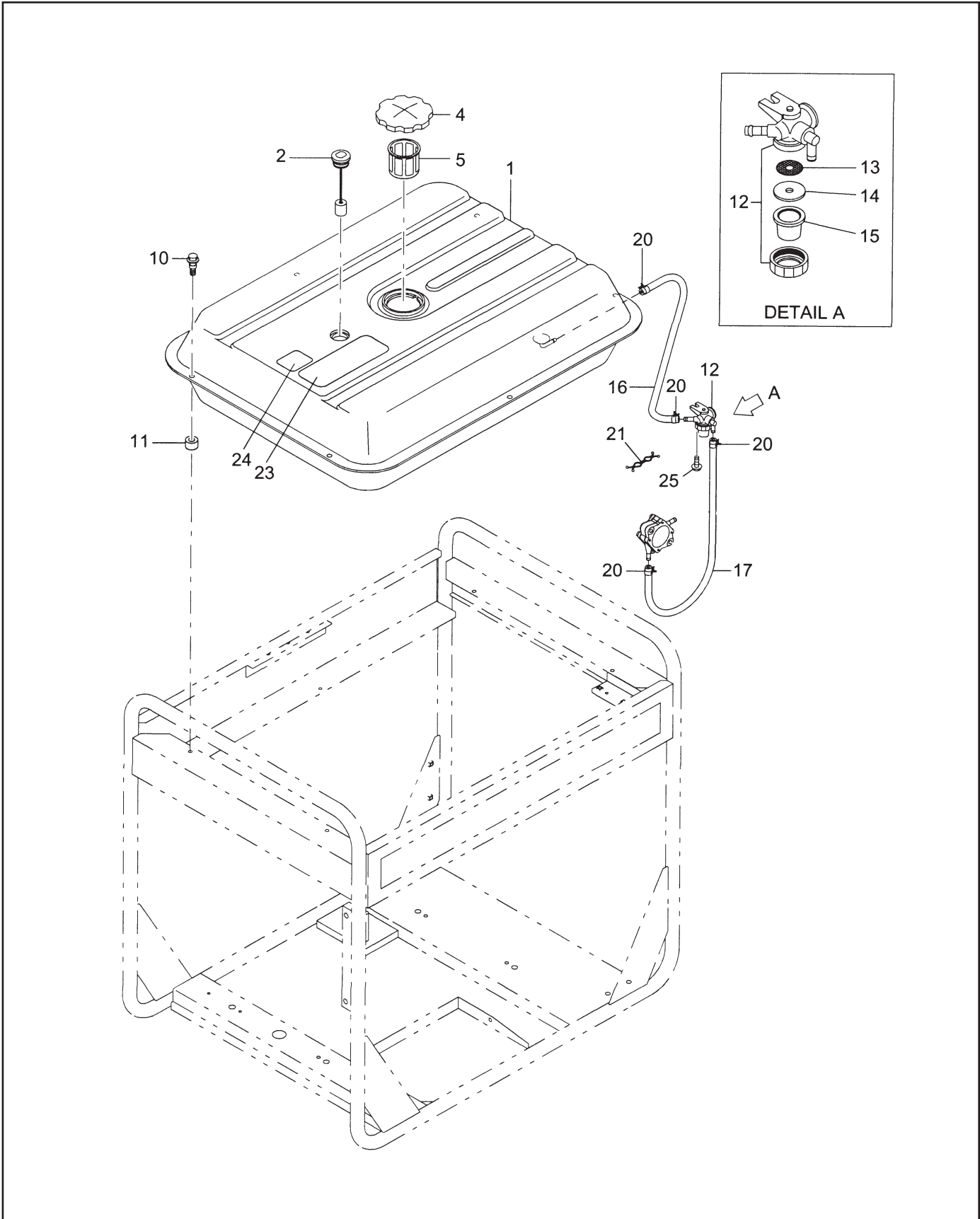




**FIG. 5 FUEL TANK - 12000**

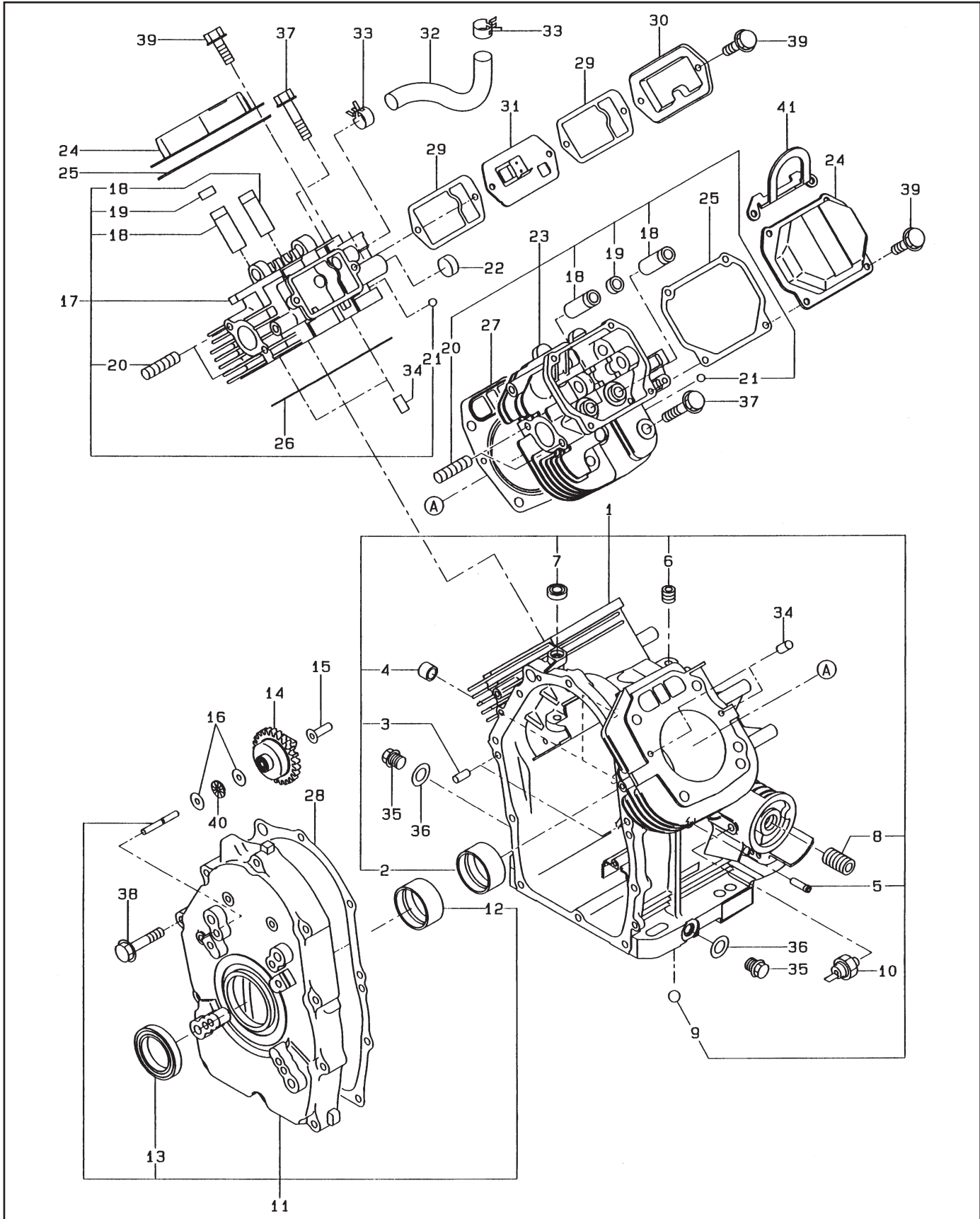
REF	PART NUMBER	DESCRIPTION	QTY	REMARKS
1	31D-36012-01	FUEL TANK, compl.	2	
2	064-80003-00	FUEL GAUGE, compl.	2	
3	014-50500-40	SCREW (counter head)	4	
4	043-05900-11	FUEL TANK CAP	2	
5	064-15400-11	FUEL FILTER	2	
6	31F-61023-01	FUEL TANK BRACKET, compl.	1	
7	001-66082-00	BOLT (M8×20mm)	2	
8	011-00600-80	FLANGE BOLT (M6×12mm)	4	
10	011-00602-20	FLANGE BOLT (M6)	8	
11	391-39000-13	RUBBER WASHER	8	
*12	064-20095-00	FUEL STRAINER ASS'Y	2	Includes items 13 thru 15
13	064-20095-10	FILTER	2	
14	064-20030-30	PACKING	2	
15	064-20036-10	CUP	2	
16	085-10600-00	RUBBER PIPE (ø6×ø12×800mm)	1	
17	085-10600-00	RUBBER PIPE (ø6×ø12×420mm)	1	
18	085-10600-00	RUBBER PIPE (ø6×ø12×390mm)	1	
19	085-10600-00	RUBBER PIPE (ø6×ø12×670mm)	1	
20	056-11100-20	HOSE CLAMP	8	
21	31F-39002-03	PURSE LOCK	2	
22	31F-36002-01	TANK COVER, compl.	1	
23	388-93003-03	LABEL(caution)	1	
24	073-20045-10	LABEL(symbol-tank)	1	
25	011-00600-30	FLANGE BOLT (M6×14mm)	2	

FIG. 5 FUEL TANK - RGV12100





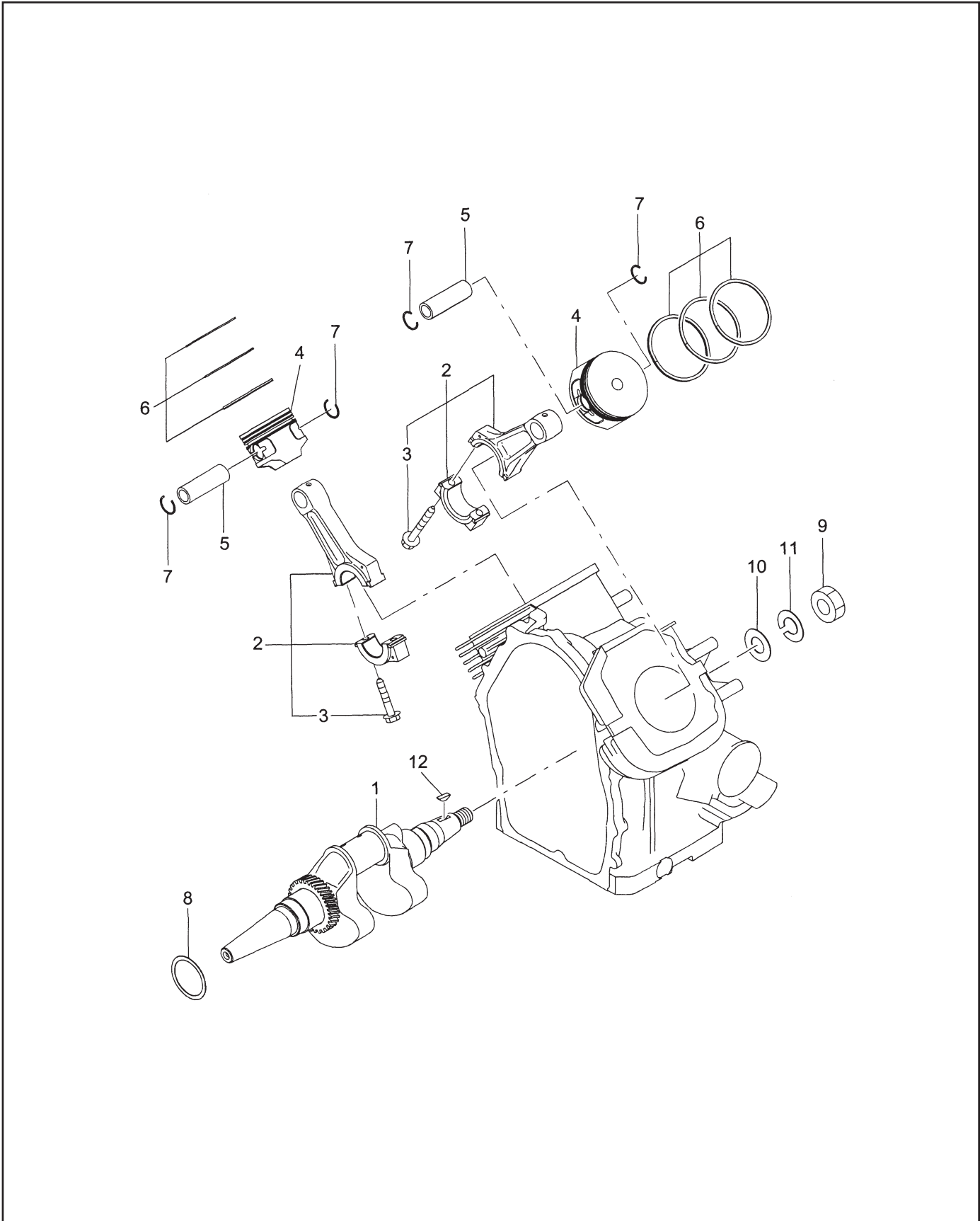
**FIG. 6 CRANKCASE GROUP**



**FIG. 6 CRANKCASE GROUP**

REF	PART NUMBER	DESCRIPTION	QTY	REMARKS
*1	263-10101-21	CRANKCASE, compl.	1	Includes items 2 thru 9
2	263-15801-03	MAIN BEARING	1	RGV12000
	263-15802-03	MAIN BEARING	1	RGV12100
3	005-26081-80	DOWEL PIN	2	
4	142-55601-03	PIPE	2	
5	159-65401-03	PIPE (PULSE)	1	
6	212-15008-13	BLIND PLUG	1	RGV12000
	235-15421-03	BLIND PLUG	1	RGV12100
7	044-00800-10	OIL SEAL	1	
8	263-15901-03	UNION	1	
9	045-01200-10	STEEL BALL	1	RGV12000
10	248-76301-01	SWITCH OIL PRESSURE	1	
*11	263-11101-01	MAIN BEARING COVER, compl.	1	RGV12000 Includes items 12 and 13
	263-11101-11	MAIN BEARING COVER, compl.	1	RGV12100 Includes items 12 and 13
12	263-15801-03	MAIN BEARING	1	RGV12000
	263-15802-03	MAIN BEARING	1	RGV12100
13	044-04200-30	OIL SEAL	1	
14	263-45001-A1	GOVERNOR GEAR, compl.	1	
15	263-41901-03	GOVERNOR SLEEVE	1	
16	263-46214-A3	WASHER	2	
*17	263-13001-11	CYLINDER HEAD 1, compl.	1	Includes items 18 thru 22
18	132-12AA0-80	VALVE GUIDE	4	RGV12000
19	132-07AA0-50	SEAL-INTAKE VALVE	2	
20	010-50802-90	STUD	8	
21	006-90104-00	STEEL BALL	2	RGV12000
22	263-16201-03	PLUG	1	RGV12000
*23	263-13101-11	CYLINDER HEAD 2, compl.	1	Includes items 18 thru 21
24	246-15501-01	ROCKER COVER, compl.	2	
25	246-16002-13	GASKET, rocker cover	2	
26	263-15001-13	GASKET 1, cyl. head	1	
27	263-15101-13	GASKET 2, cyl. head	1	
28	263-16001-A3	GASKET, main bearing cover	1	
29	263-16006-03	GASKET, breather plate	2	
30	263-14301-03	BREATHER COVER	1	
31	263-14401-01	BREATHER PLATE, compl.	1	
32	263-18001-03	RUBBER PIPE	1	
33	263-68511-03	HOSE CLAMP	2	
34	031-00600-20	DOWEL PIN	4	
35	040-11400-30	PLUG	2	
36	021-11400-20	GASKET	2	
37	011-01000-30	FLANGE BOLT	8	
38	011-00800-90	FLANGE BOLT	10	
39	011-00600-30	FLANGE BOLT	10	
40	263-46213-A3	THRUST BEARING	1	RGV12000
	263-46215-A3	THRUST BEARING	1	RGV12100
41	263-19001-A3	HOOK	2	

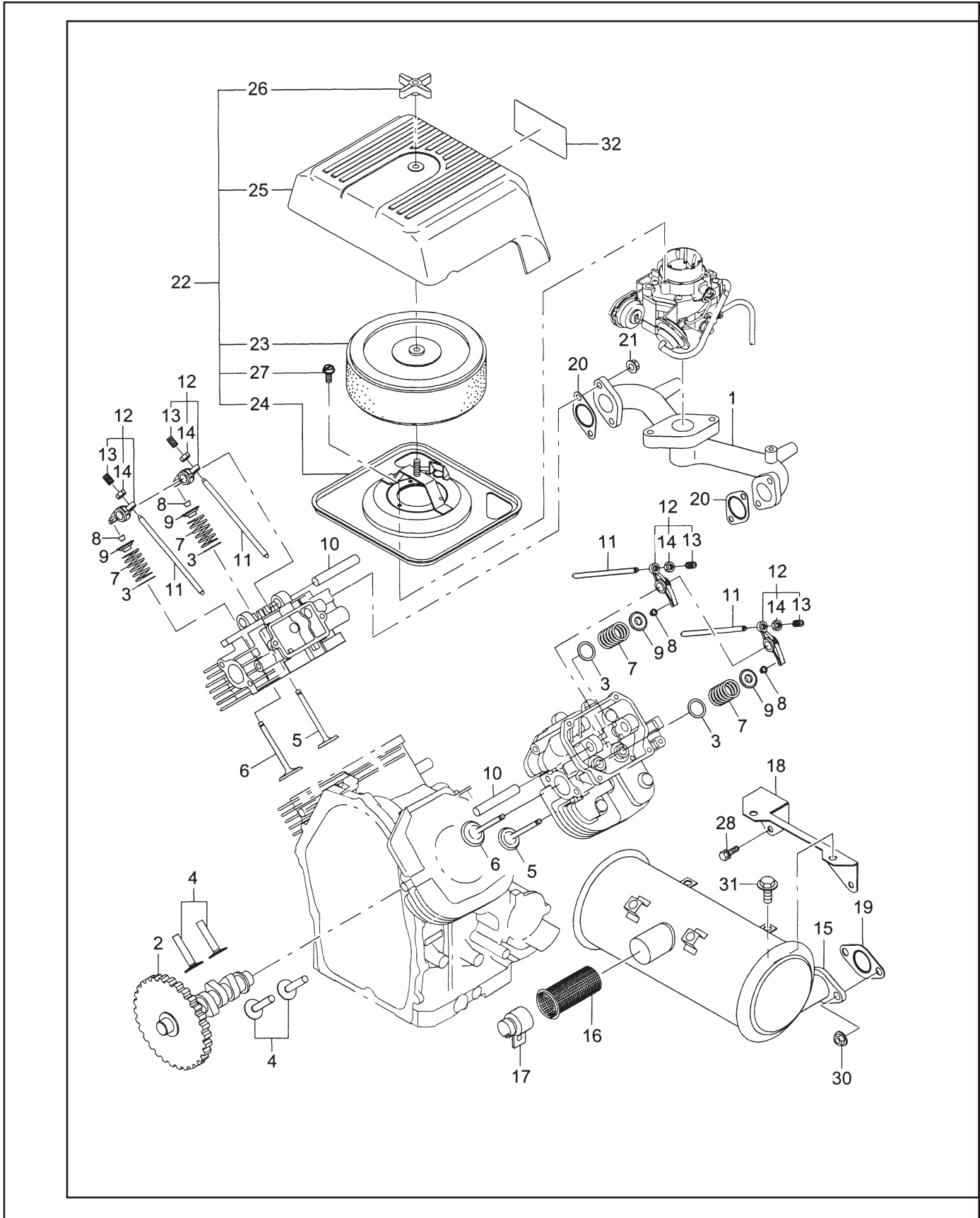
FIG. 7 CRANKSHAFT GROUP



**FIG. 7      CRANKSHAFT GROUP**

<b>REF</b>	<b>PART NUMBER</b>	<b>DESCRIPTION</b>	<b>QTY</b>	<b>REMARKS</b>
1	263-21201-01	CRANKSHAFT, compl.	1	
*2	263-22501-00	CONNECTING ROD ASS'Y	2	Includes item 3
3	246-23001-13	CONNECTING ROD BOLT	2	
4	263-23401-03	PISTON (STD)	2	
4	263-23402-03	PISTON (over size 0.25mm)	2	
4	263-23403-03	PISTON (over size 0.50mm)	2	
5	263-23301-03	PISTON PIN	2	
6	263-23501-07	PISTON RING SET (STD)	2	
6	263-23502-07	PISTON RING SET (over size 0.25mm)	2	
6	263-23503-07	PISTON RING SET (over size 0.50mm)	2	
7	056-52100-20	CLIP	4	
8	263-25011-A3	SPACER, t=0.6	1	
8	263-25012-A3	SPACER, t=0.8    Select 1 piece only	1	
8	263-25013-A3	SPACER, t=1.0	1	
9	002-18180-00	NUT	1	
10	003-10180-00	WASHER	1	
11	003-20180-00	SPRING WASHER	1	
12	005-32054-01	WOODRUFF KEY	1	

FIG. 8 INTAKE and EXHAUST GROUP





**FIG. 8 INTAKE and EXHAUST GROUP**

REF	PART NUMBER	DESCRIPTION	QTY	REMARKS
1	263-33001-03	INTAKE MANIFOLD	1	
2	263-31701-03	CAMSHAFT	1	
3	020-02000-10	WASHER	4	
4	263-33301-A3	TAPPET	4	
5	263-33401-03	INTAKE VALVE	2	
6	263-33502-03	EXHAUST VALVE	2	
7	263-33611-03	VALVE SPRING	4	
8	246-35501-03	COLLET-VALVE	8	
9	246-33711-03	SPRING RETAINER	4	
10	239-35001-03	ROCKER SHAFT	2	
11	263-35302-03	PUSH ROD	4	RGV12000
	263-35311-01	PUSH ROD	4	RGV12100
*12	246-36101-10	ROCKER ARM ASS'Y	4	Includes items 13 and 14
13	014-90800-21	ADJUSTING SCREW	4	
14	017-00800-90	NUT	4	
15	263-30102-A1	MUFFLER ASS'Y	1	
16	263-37321-A2	SPARK ARRESTER	1	
17	263-37302-A3	CLAMP ASS'Y	1	
18	263-37001-A1	BRACKET MUFFLER	1	
19	263-35201-A1	GASKET EXHAUST	2	
20	263-35503-A3	GASKET, muffler	2	
21	002-38080-00	FLANGE NUT	4	
*22	263-32601-00	AIR CLEANER ASS'Y	1	Includes items 23 thru 26
23	263-32610-A1	CLEANER ELEMENT, compl.	1	
24	263-32620-01	CLEANER BASE, compl.	1	
25	263-32630-03	CLEANER COVER	1	
26	263-32640-01	WING NUT	1	
27	X10-10500-10	BOLT	3	
28	001-14082-00	BOLT and WASHER ASS'Y	2	
30	018-00800-10	FLANGE NUT	4	
31	011-00600-30	FLANGE BOLT	2	
32	263-91707-03	LABEL (TRADE MARK)	1	RGV12000
	263-91716-03	LABEL (TRADE MARK)	1	RGV12100

FIG. 9 GOVERNOR GROUP

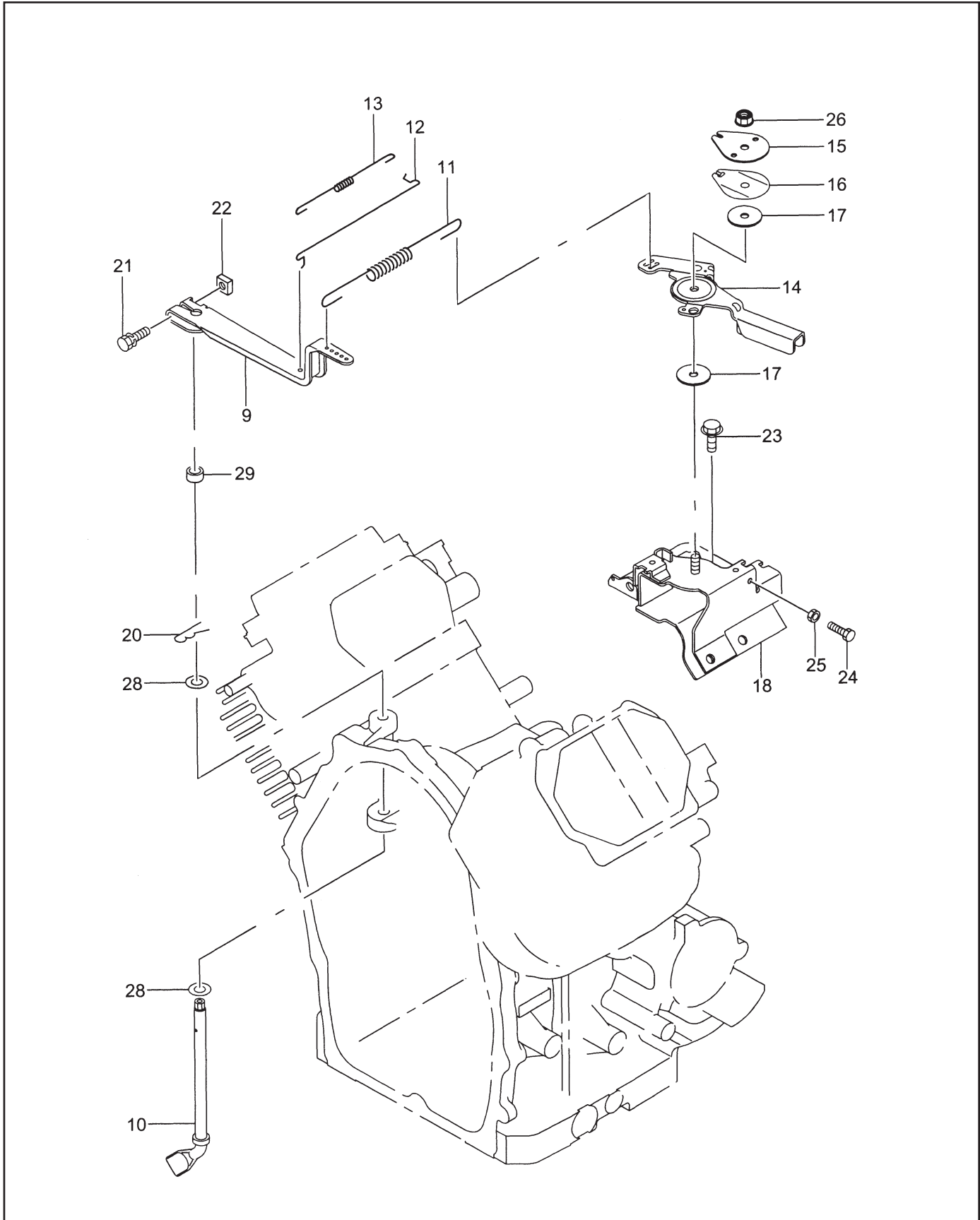
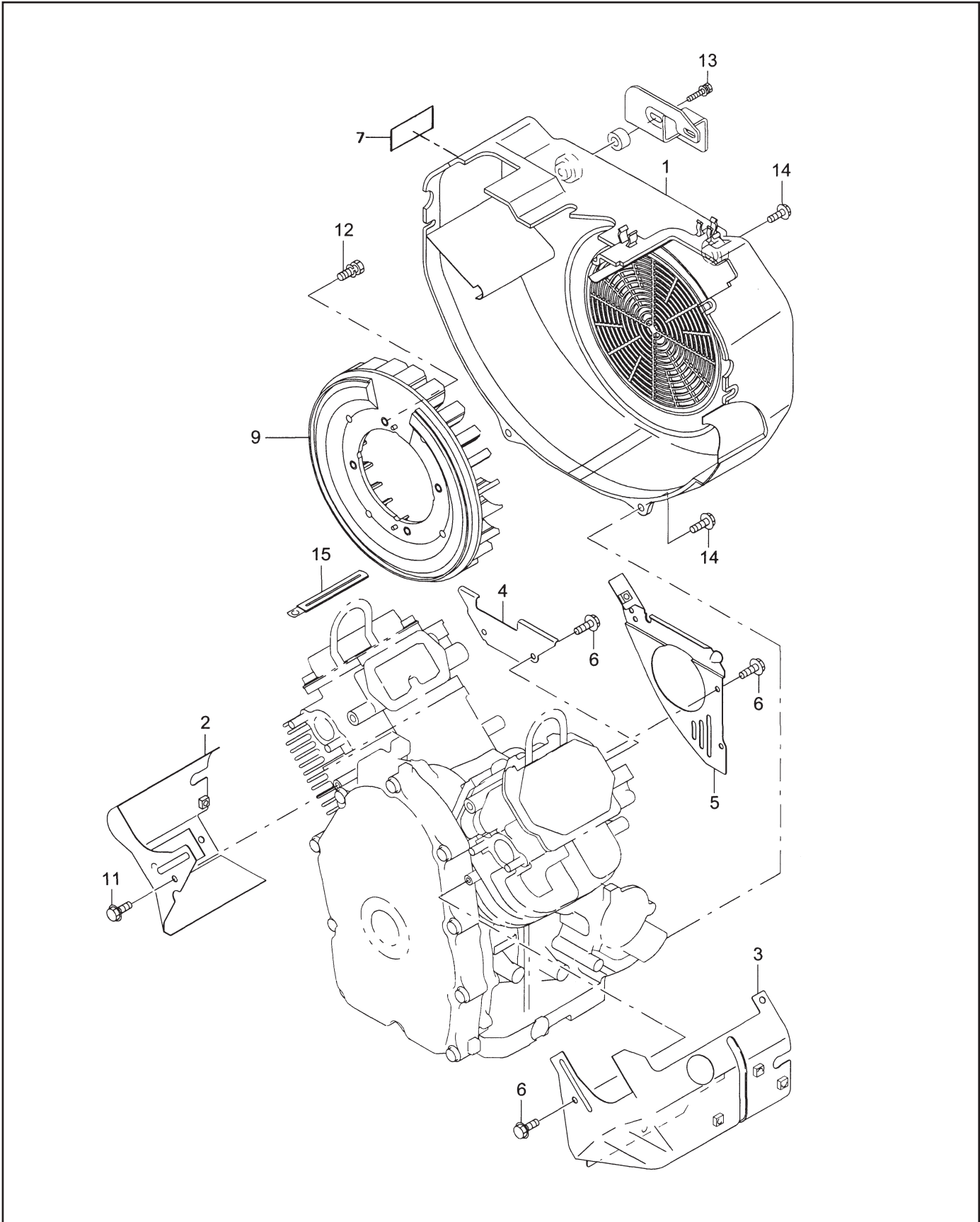




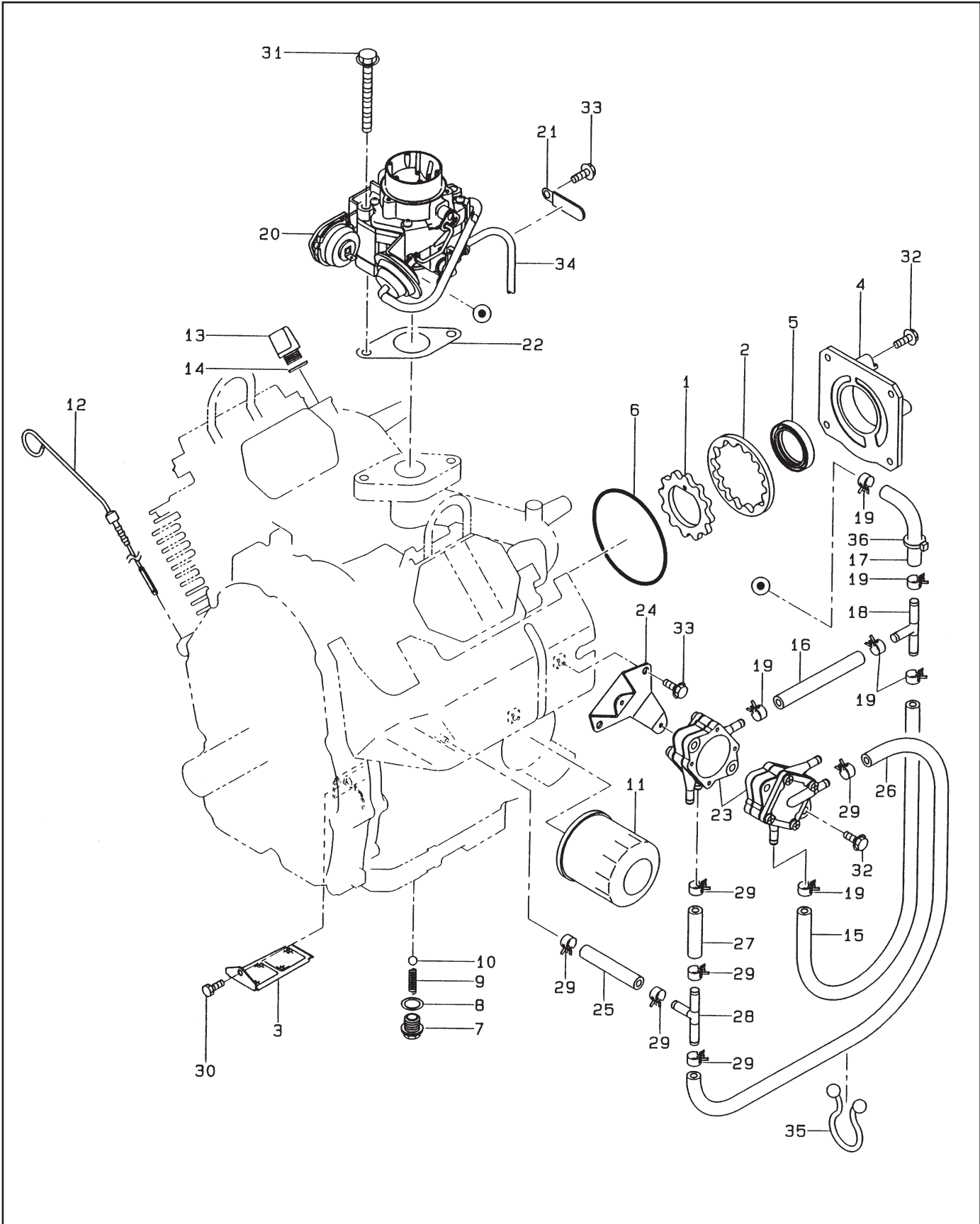
FIG. 10 COOLING and STARTING GROUP



# FIG. 10 COOLING and STARTING GROUP

REF	PART NUMBER	DESCRIPTION	QTY	REMARKS
1	263-51101-A2	BLOWER HOUSING UNIT	1	
2	263-52601-01	CYLINDER BAFFLE 1 COMPL.	1	
3	263-52701-01	CYLINDER BAFFLE 2 COMPL.	1	RGV12000
	263-52704-A1	CYLINDER BAFFLE 2 COMPL.	1	RGV12100
4	263-52801-03	CYLINDER BAFFLE 3	1	
5	263-52911-A2	CYLINDER BAFFLE 4 UNIT	1	RGV12000 *
5	263-52901-02	CYLINDER BAFFLE 4 UNIT	1	RGV12000**
	263-52911-B2	CYLINDER BAFFLE 4 UNIT	1	RGV12100
6	011-00600-20	FLANGE BOLT	12	
7	263-92001-03	LABEL(WARNING)	1	RGV12000
9	263-54101-02	COOLING BLOWER UNIT	1	
11	011-00601-40	FLANGE BOLT	2	
12	001-14061-60	BOLT and WASHER ASS'Y	4	
13	001-11063-50	BOLT and WASHER ASS'Y	1	
14	011-00600-30	FLANGE BOLT	7	RGV12100
15	056-60002-50	CLAMP	1	RGV12100
		* for starter motor up to Nov. 98		
		** for starter after Dec. 98 (Hitachi)		

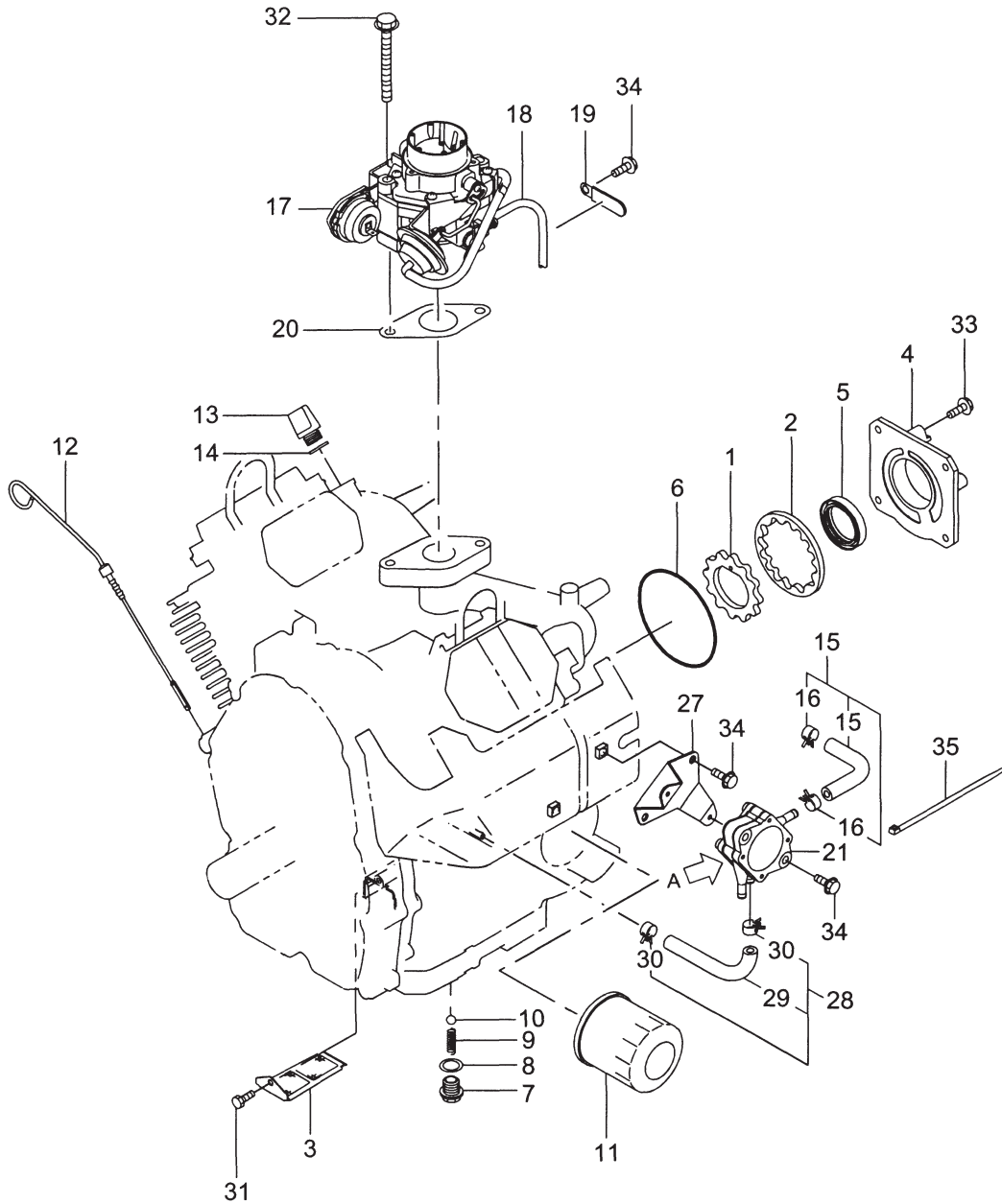
FIG. 11 FUEL, LUBRICANT GROUP - RGV12000



**FIG. 11 FUEL, LUBRICANT GROUP - RGV12000**

REF	PART NUMBER	DESCRIPTION	QTY	REMARKS
1	263-63901-03	INNER ROTOR	1	
2	263-63902-03	OUTER ROTOR	1	
3	263-64301-02	OIL PUMP FILTER UNIT	1	
*4	263-64001-01	OIL PUMP COVER, compl.	1	Includes item 5
5	044-03500-90	OIL SEAL	1	
6	X24-08900-20	O RING	1	
7	263-65001-13	PLUG, oil relief	1	
8	003-70140-00	GASKET, aluminum	1	
9	248-65601-03	SPRING, relief valve	1	
10	006-90308-00	STEEL BALL	1	
11	261-65902-A0	OIL FILTER ASS'Y	1	
12	263-63603-01	OIL GAUGE, compl.	1	
13	263-63602-03	OIL FILTER CAP	1	
14	021-31600-10	GASKET	1	
*15	263-62602-01	FUEL PIPE 2, compl.	1	Includes items 15 thru 19
15	085-10600-00	RUBBER PIPE (ø6×ø12×340mm)	1	
16	085-10600-00	RUBBER PIPE (ø6×ø12×90mm)	1	
17	085-10600-00	RUBBER PIPE (ø6×ø12×370mm)	1	
18	234-67101-03	T CONNECTOR	1	
19	056-11100-20	HOSE CLAMP	6	
20	263-62312-00	CARBURETOR ASS'Y	1	
21	206-75501-01	CLAMP, compl.	2	
22	263-66201-03	GASKET, carburetor	1	
23	248-62201-00	FUEL PUMP ASS'Y	2	
24	263-65002-02	BRACKET, fuel pump	1	
*25	263-62651-01	PULES PIPE 2, compl.	1	Includes items 25 thru 29
25	085-10600-00	RUBBER PIPE (ø6×ø12×120mm)	1	
26	085-10600-00	RUBBER PIPE (ø6×ø12×370mm)	1	
27	085-10600-00	RUBBER PIPE (ø6×ø12×45mm)	1	
28	234-67101-03	T CONNECTOR	1	
29	056-11100-20	HOSE CLAMP	6	
30	X11-60500-20	BOLT	1	
31	011-00801-10	FLANGE BOLT	2	
32	011-00601-40	FLANGE BOLT	6	
33	011-00600-20	FLANGE BOLT	3	
34	160-67402-A3	VINYL PIPE	1	
35	31F-39003-03	PURSE LOCK	1	
36	056-30000-40	WIRE BAND	1	

FIG. 11 FUEL, LUBRICANT GROUP - RGV12100

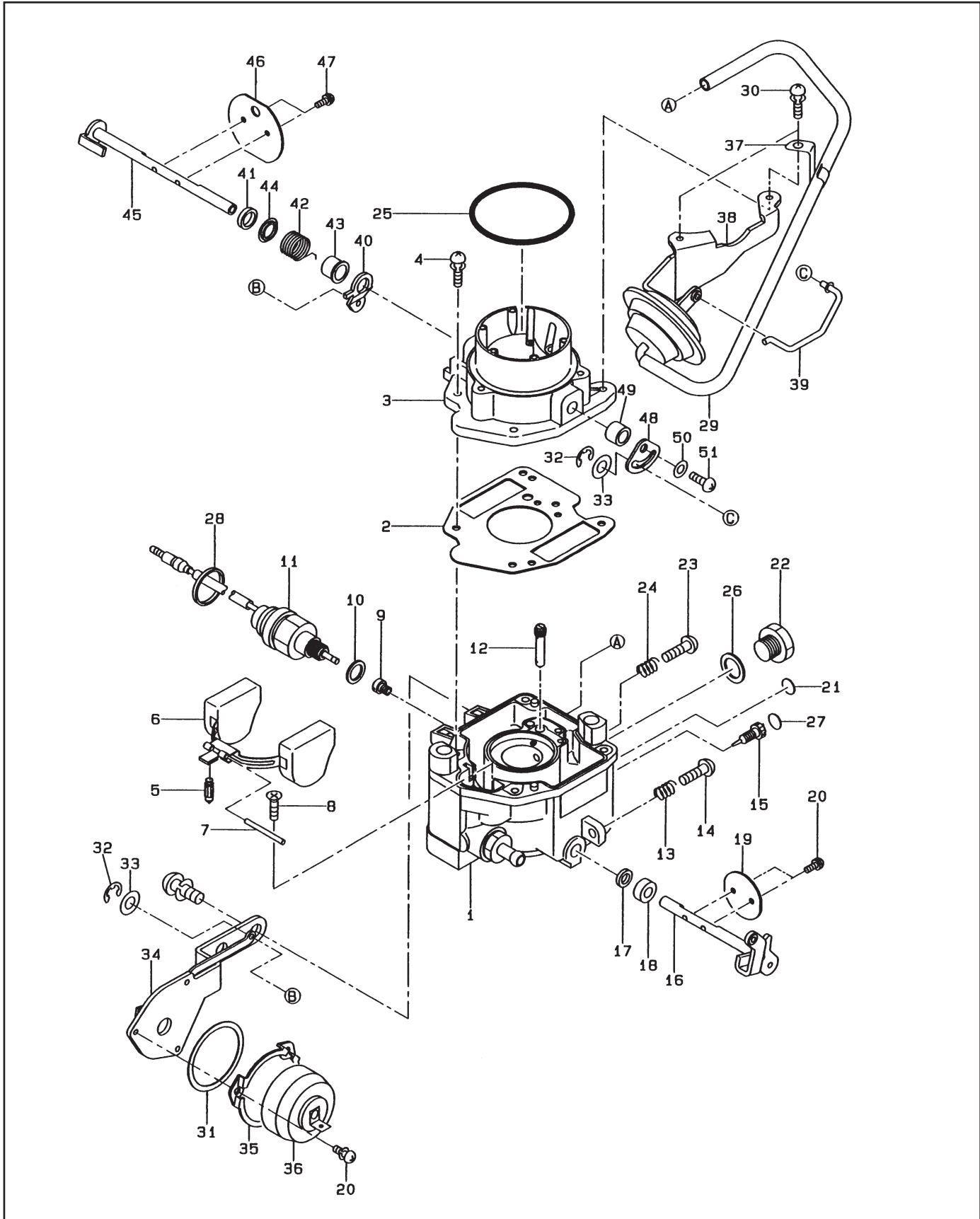




**FIG. 11 FUEL, LUBRICANT GROUP - RGV12100**

REF	PART NUMBER	DESCRIPTION	QTY	REMARKS
1	263-63901-03	INNER ROTOR	1	
2	263-63902-03	OUTER ROTOR	1	
3	263-64302-02	OIL PUMP FILTER UNIT	1	
*4	263-64001-01	OIL PUMP COVER, compl.	1	Includes item 5
5	044-03500-90	OIL SEAL	1	
6	X24-08900-20	O RING	1	
7	263-65001-13	PLUG, oil relief	1	
8	003-70140-00	GASKET, aluminum	1	
9	248-65601-03	SPRING, relief valve	1	
10	006-90308-00	STEEL BALL	1	
11	261-65902-A0	OIL FILTER ASS'Y	1	
12	263-63603-01	OIL GAUGE, compl.	1	
13	263-63602-03	OIL FILTER CAP	1	
14	021-31600-10	GASKET	1	
*15	263-62601-01	FUEL PIPE, compl.	1	Includes items 15 and 16
15	263-68001-A3	RUBBER PIPE	1	1/4"× 1/2"
16	263-68501-03	HOSE CLAMP	2	
17	263-62312-00	CARBURETOR ASS'Y	1	
18	160-67402-A3	VINYL PIPE	1	
19	206-75501-01	CLAMP, compl.	2	
20	263-66201-03	GASKET, carburetor	1	
20	263-66201-A3	GASKET, carburetor	1	
*21	248-62201-00	FUEL PUMP ASS'Y	1	Includes items 22 and 26
22	251-62251-08	DIAPHRAGM GASKET SET	1	
26	251-62250-08	SCREW	4	
27	263-65002-02	BRACKET, fuel pump	1	
27	263-65002-A3	BRACKET, fuel pump	1	
*28	263-62650-01	PULSE PIPE, compl.	1	Includes items 29 and 30
29	263-68051-03	RUBBER PIPE	1	1/4"× 1/2"
29	263-68051-A3	RUBBER PIPE	1	1/4"× 1/2"
30	263-68501-03	HOSE CLAMP	2	
31	263-65011-A3	FLANGE BOLT	1	
31	X10-10500-10	BOLT (10-32UNF-2A)	1	
32	011-00801-10	FLANGE BOLT	2	M8×80mm
33	011-00601-40	FLANGE BOLT	4	M6×18mm
34	011-00600-20	FLANGE BOLT	5	M6×12mm
35	056-30000-40	WIRE BAND	1	

FIG. 12 CARBURETOR GROUP



**FIG. 12 CARBURETOR GROUP**

REF	PART NUMBER	DESCRIPTION	QTY	REMARKS
*1	263-62312-00	CARBURETOR ASS'Y	1	Includes items 2 thru 51
2	258-62545-08	GASKET, air horn	1	
4	258-62450-08	SCREW, air horn set	2	
5	226-62501-08	VALVE, float	1	
6	258-62505-08	FLOAT ASS'Y	1	
7	258-62515-08	FLOAT PIN	1	
8	258-62556-08	SCREW, float pin set	1	
9	263-62400-08	MAIN JET (#132)	1	
10	258-62546-08	GASKET	1	
11	258-62557-18	SOLENOID VALVE ASS'Y	1	
12	258-62420-08	JET, slow (#60)	1	
13	258-62445-08	SPRING, adjust screw	1	
14	258-62451-08	SCREW, throttle adjust	1	
15	261-62435-08	NEEDLE, idle adjust	1	
16	263-62534-08	THROTTLE SHAFT ASS'Y	1	
17	226-62580-08	FILTER, throttle shaft	1	
18	258-62570-08	COLLAR, throttle shaft	1	
19	263-62535-08	THROTTLE VALVE	1	
20	261-62352-08	SCREW, valve set	5	
21	258-62560-08	EXPANSION PLUG	1	
22	263-62551-08	PLUG	1	
23	215-62353-08	SCREW, drain	1	
24	215-62446-08	SPRING, drain	1	
25	263-62560-08	O RING, air horn	1	
26	263-62555-08	GASKET	1	
27	261-62358-08	PLUG, ANTI TAMPER	1	
28	258-62566-08	CLAMP, solenoid wire	1	
29	263-62567-08	RUBBER PIPE	1	
30	263-62589-08	SCREW, holder set	2	
31	107-62373-08	GASKET	1	
32	263-62596-08	WASHER	2	
33	107-62377-08	E-CLIP	2	
34	263-62562-08	HOLDER, compl.	1	
35	107-62375-08	PLATE	1	
36	107-62376-08	COVER ASS'Y, thermostat	1	
37	263-62568-08	HOLDER, vacuum hose	1	
38	263-62352-08	OPENER ASS'Y, choke	1	
39	263-62353-08	ROD, choke piston	1	
40	263-62527-08	LEVER ASS'Y, choke	1	
41	258-62551-08	RING, choke lever	1	
42	263-62447-08	SPRING, choke	1	
43	258-62553-08	COLLAR, choke	1	
44	258-62554-08	FILTER, choke shaft	1	
45	263-62523-08	SHAFT ASS'Y, choke	1	
46	258-62525-08	CHOKE VALVE	1	

FIG. 12 CARBURETOR GROUP

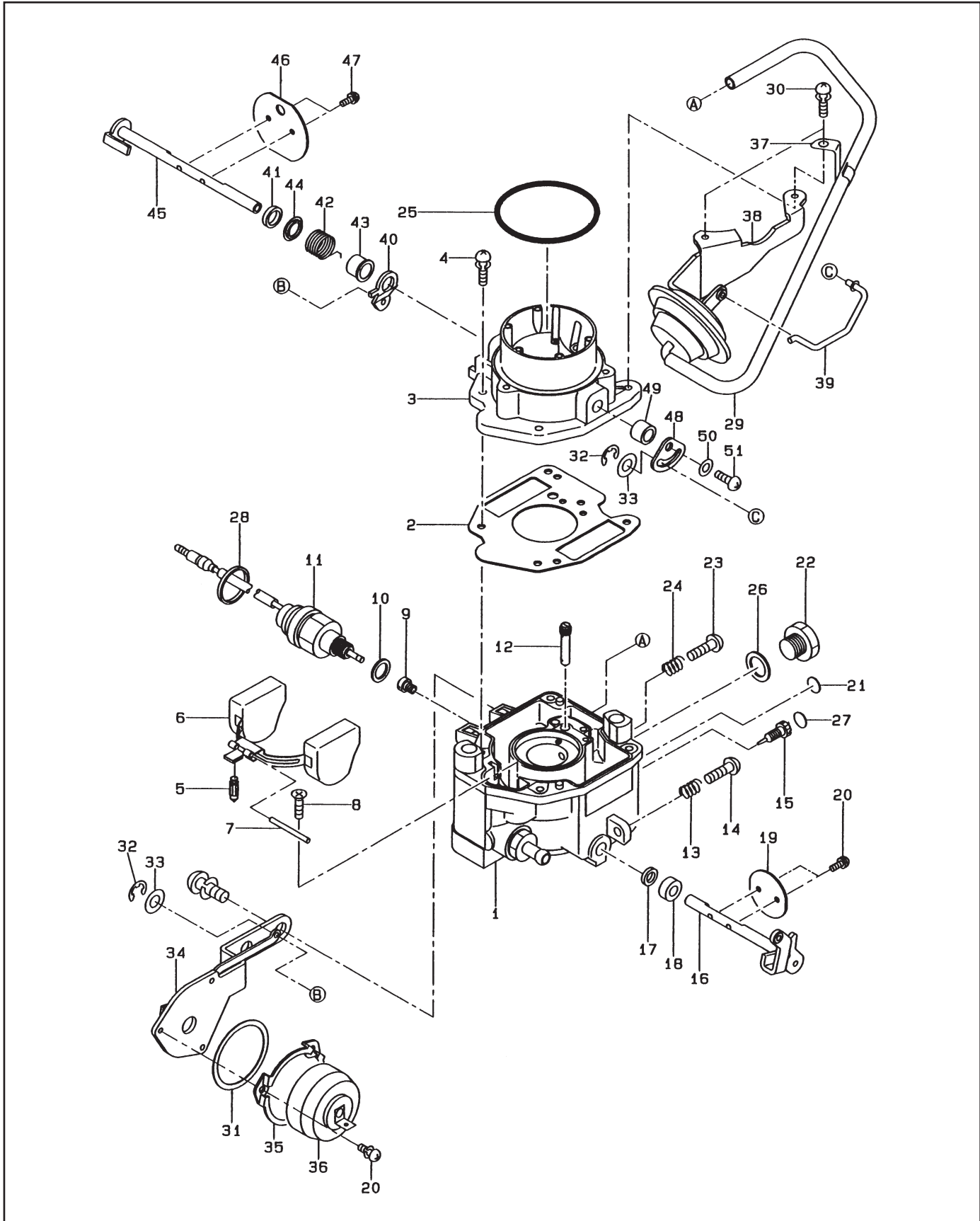
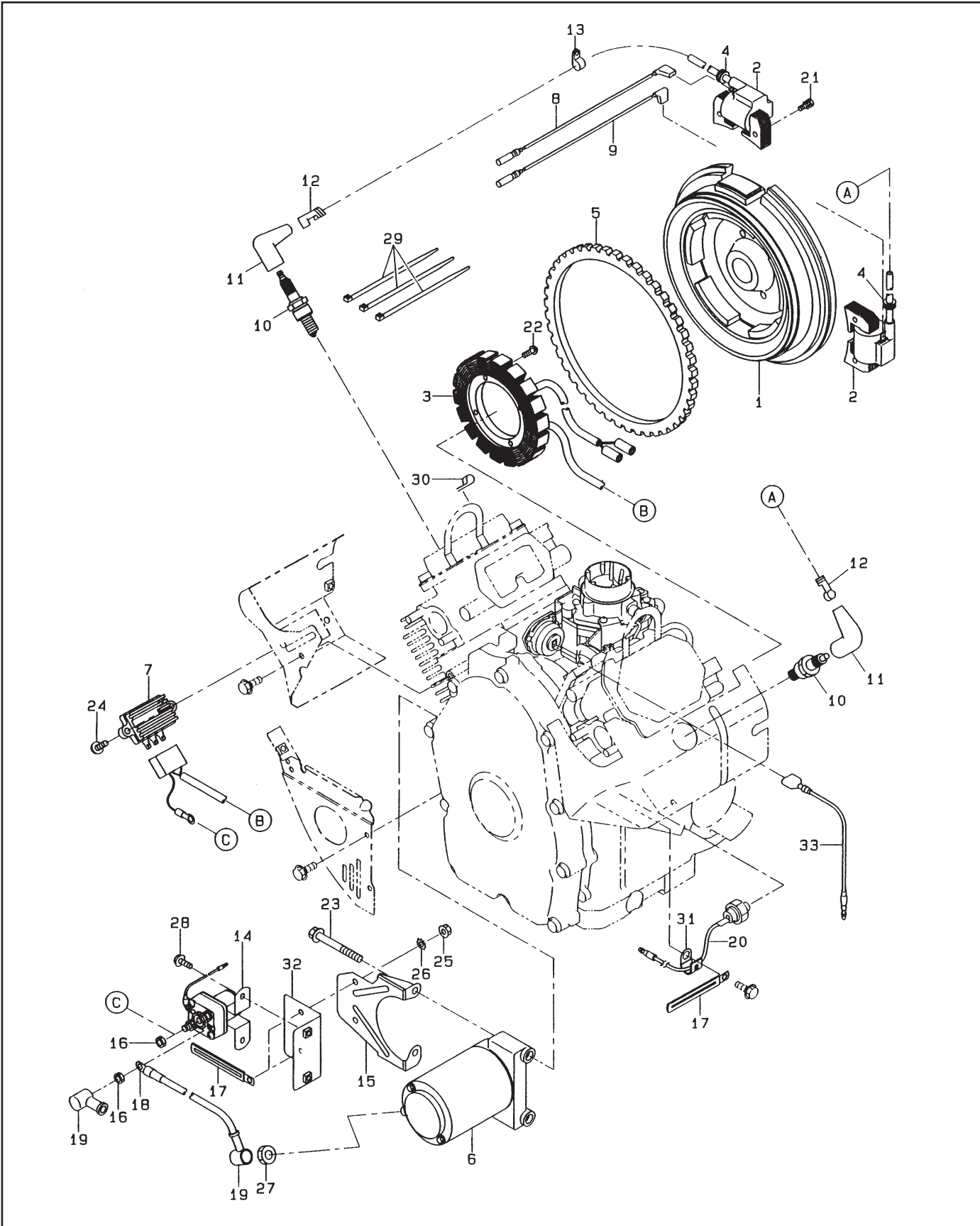




FIG. 13-1 ELECTRIC GROUP - RGV12000 (UP TO NOV. '98)



**FIG. 13-1 ELECTRIC GROUP - RGV12000 (UP TO NOV. '98)**

REF	PART NUMBER	DESCRIPTION	QTY	REMARKS
1	263-77202-11	FLYWHEEL, compl.	1	
2	263-78201-01	IGNITION COIL, compl.	2	
3	263-79403-A1	CHARGE COIL, compl.	1	
4	246-70250-08	GROMMET	2	I/W 246-79501-03
5	263-71001-03	RING GEAR	1	
6	263-70501-00	STARTING MOTOR ASS'Y	1	
7	263-71901-01	REGULATOR, compl.	1	
8	263-73016-01	WIRE 4, compl.	1	
9	263-73017-01	WIRE 5, compl.	1	
10	065-01404-80	SPARK PLUG, compl.	2	
11	065-50001-40	SPARK PLUG CAP	2	
12	065-90000-10	PLUG TERMINAL	2	
13	206-75501-01	CLAMP, compl.	1	
14	214-77002-10	MAGNETIC SWITCH	1	
15	263-77001-A1	BRACKET, mag switch	1	
16	002-27060-00	NUT	2	
17	056-60002-50	CLAMP	3	
18	224-73201-01	WIRE 20, compl.	1	
19	214-78501-03	WIRE CASING	2	
20	263-73102-A1	WIRE ASS'Y, oil pressure switch	1	
21	001-14063-00	BOLT and WASHER ASS'Y	4	
22	013-10500-40	SCREW and WASHER ASS'Y	4	
23	X11-00801-00	FLANGE BOLT	2	
24	X11-00601-40	FLANGE BOLT	2	
25	002-38060-00	FLANGE NUT	2	
26	X20-70600-30	LOCK WASHER	1	
27	X17-10600-10	NUT	3	
28	013-10500-20	SCREW and WASHER ASS'Y	2	
29	056-30000-40	WIRE BAND	3	
30	206-75501-01	CLAMP, compl.	1	
31	214-79006-01	CLAMP, compl.	1	
32	EH6-50R00-54	BRACKET (MAG SWITCH)	1	
33	263-73112-01	WIRE 6, compl.	1	

**FIG. 13-2 ELECTRIC GROUP (AFTER DEC. '98)**

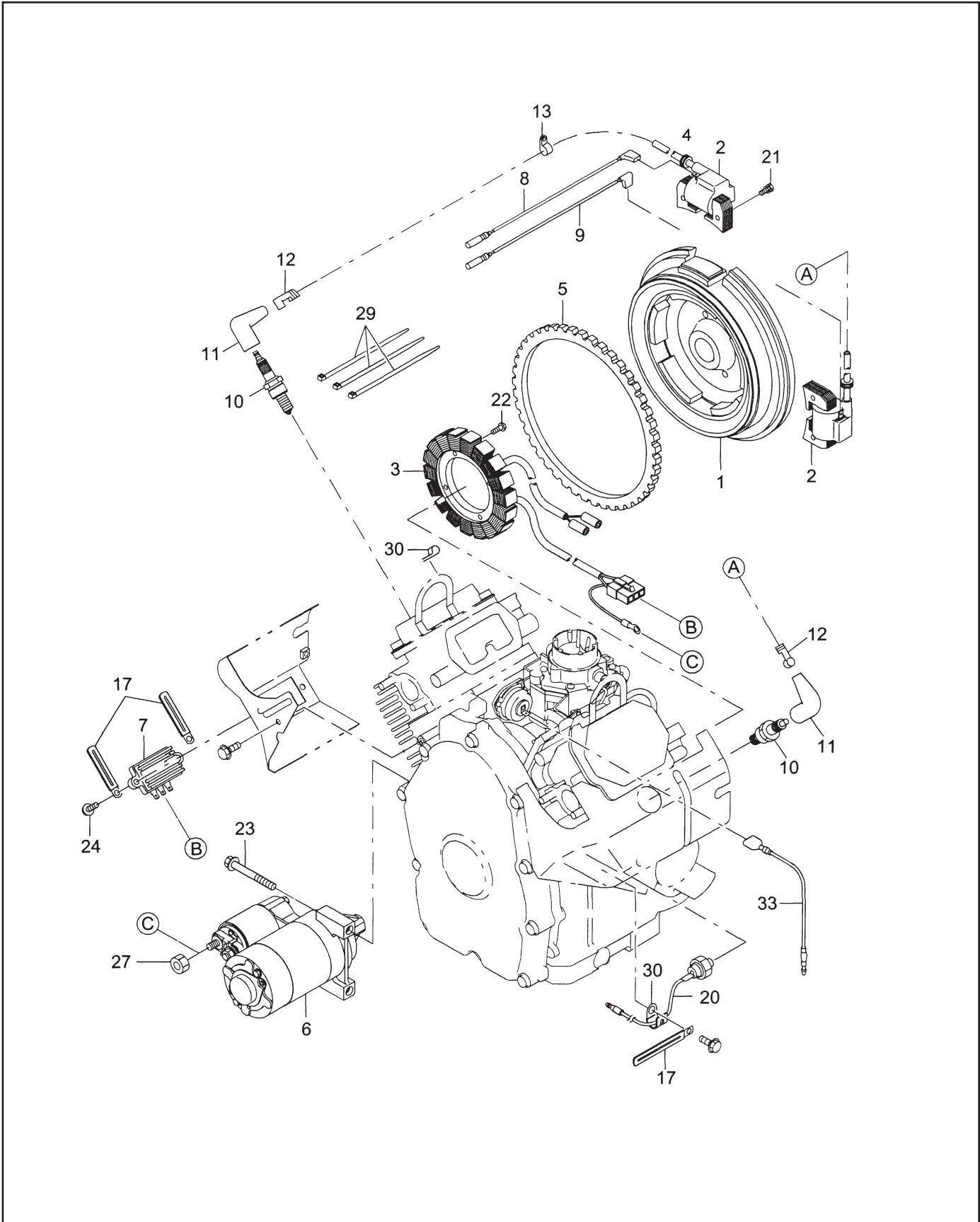






FIG. 14-1 STARTING MOTOR GROUP - RGV12000 (UP TO NOV. '98)

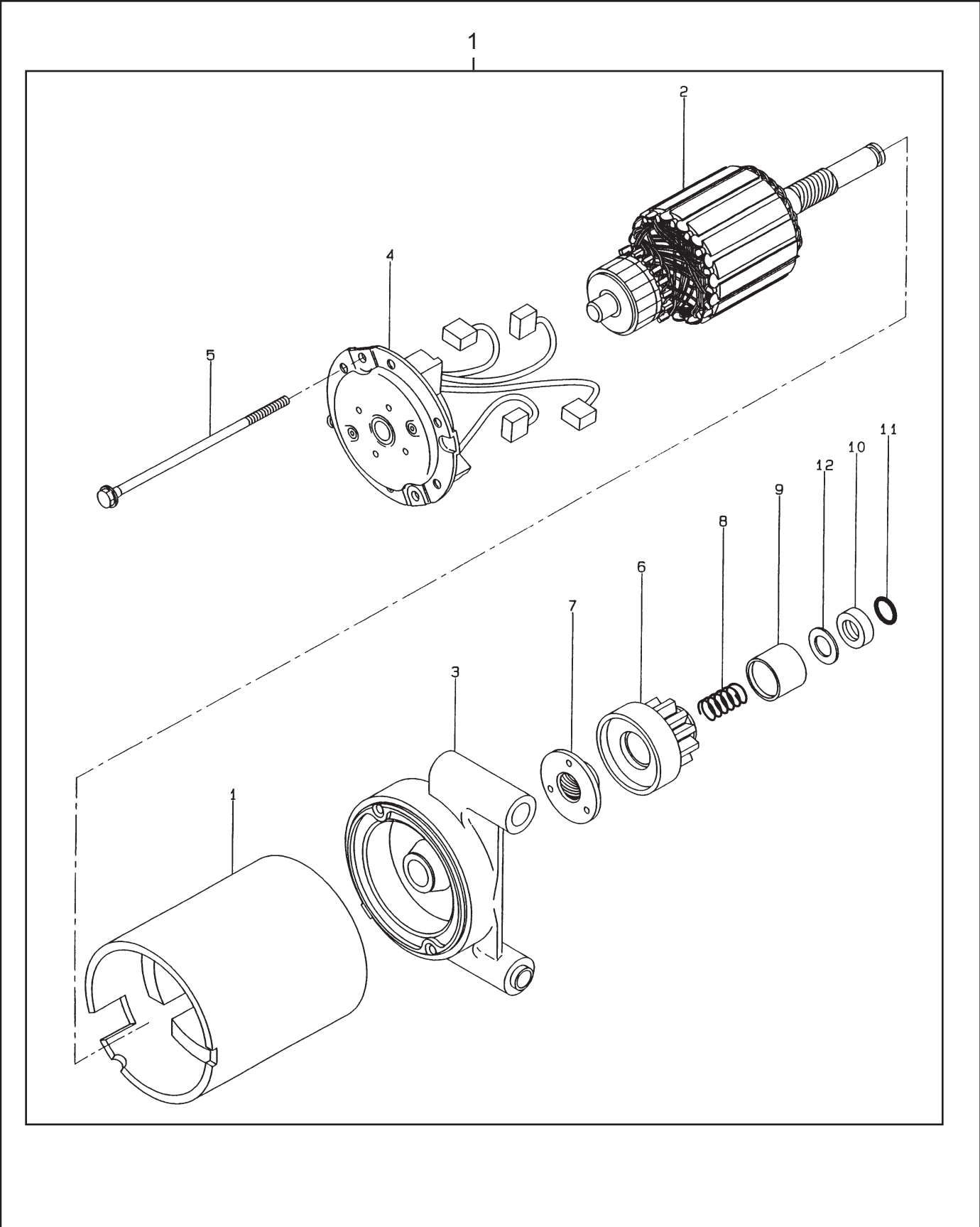




FIG. 14-2 ELECTRIC GROUP (AFTER DEC. '98)

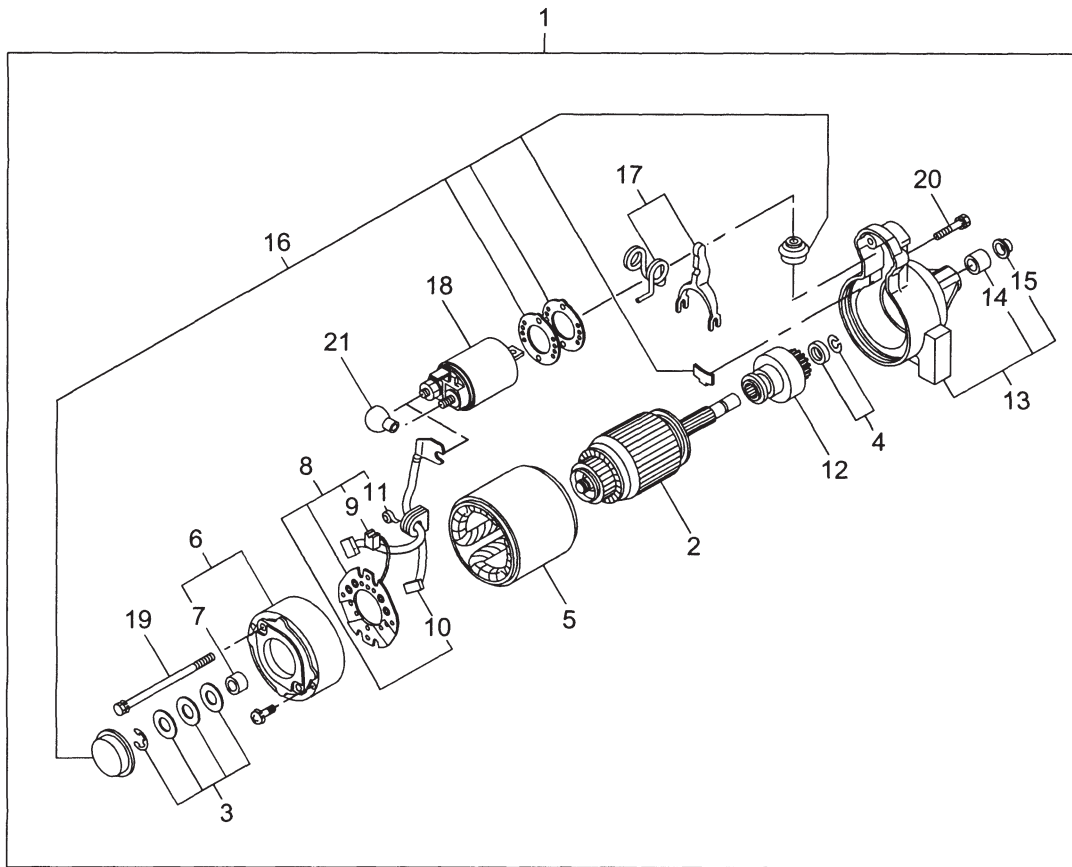
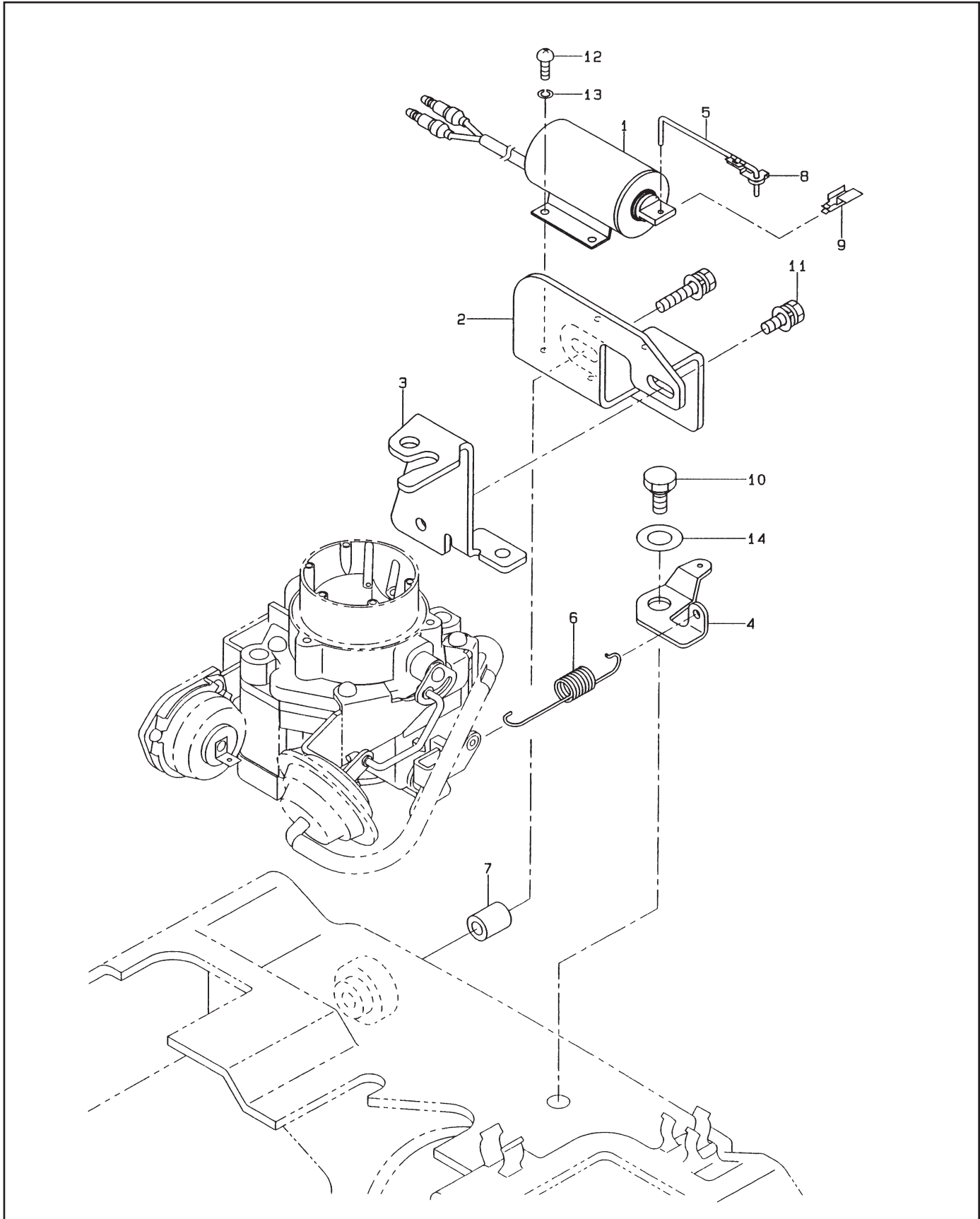




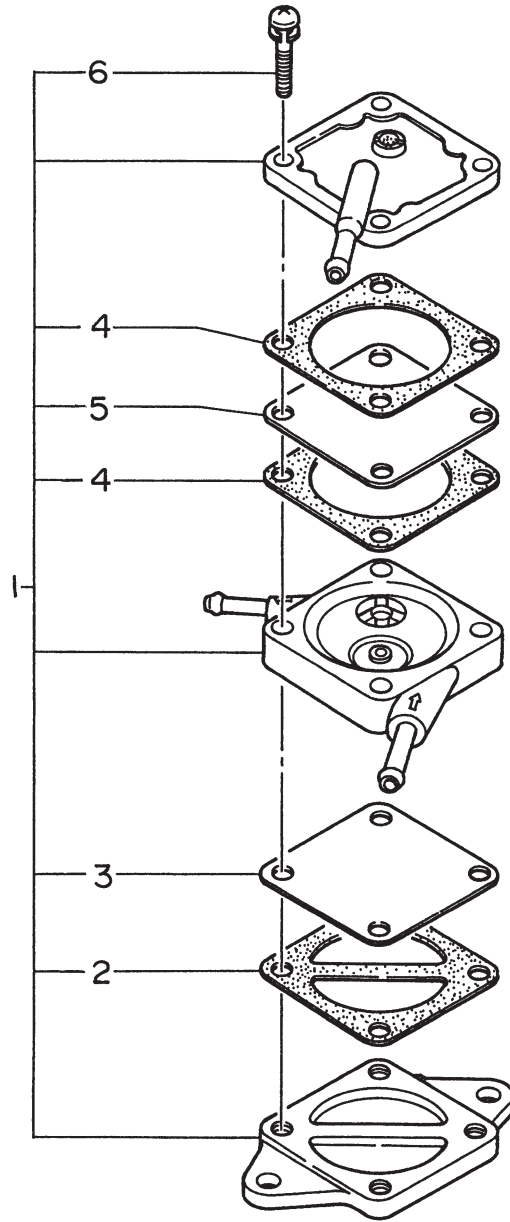
FIG. 15 IDLE CONTROL SYSTEM GROUP



**FIG. 15 IDLE CONTROL SYSTEM GROUP**

REF	PART NUMBER	DESCRIPTION	QTY	REMARKS
1	263-75301-01	SOLENOID, compl.	1	
2	263-75401-01	BRACKET 1	1	
3	263-75402-01	BRACKET 2	1	
4	263-75421-01	LINK	1	RGV12000
	263-75423-01	LINK	1	RGV12100
5	263-75441-01	ROD	1	RGV12000
	263-75442-03	ROD	1	RGV12100
6	263-75461-03	SPRING	1	RGV12000
	263-75462-03	SPRING	1	RGV12100
7	023-00603-50	SPACER	1	
8	235-44701-03	HOLDER, rod	1	
9	263-75482-03	HOLDER 2, rod	1	
10	261-43101-01	LINK PIVOT	1	
11	013-00600-70	BOLT and WASHER ASS'Y	1	RGV12000
	001-14061-20	BOLT and WASHER ASS'Y	1	RGV12100
12	014-00300-20	SCREW	4	
13	017-00300-10	NUT	4	
14	021-71000-20	FRICTION WASHER	1	
15	263-46214-A3	WASHER	1	RGV12100

FIG. 16 FUEL PUMP GROUP







PRINTED IN THE USA