

PARTS MANUAL

Model

**RGV13000T/13100T
Generator**

PUB-GP1421
Rev. 01/02

GROUP INDEX

Group Name	Page
GENERATOR	4
PIPE FRAME.....	6
CONTROL BOX.....	8
2-WHEEL ASSY.	14
4-WHEEL ASSY.	16
FUEL TANK	18
CRANKCASE GROUP	22
CRANKSHAFT GROUP	24
INTAKE and EXHAUST GROUP	26
GOVERNOR GROUP.....	28
COOLING and STARTING GROUP	30
FUEL, LUBRICATION GROUP	32
CARBURETOR GROUP	36
ELECTRIC GROUP	38
STARTING MOTOR GROUP	40
FUEL PUMP GROUP	42

Robin America, Inc.

940 Lively Blvd. • Wood Dale, IL 60191 • Phone: 630-350-8200 • Fax: 630-350-8212
e-mail: sales@robinamerica.com • www.robinamerica.com

© Copyright 2002 Robin America, Inc.

FIG. 1 GENERATOR

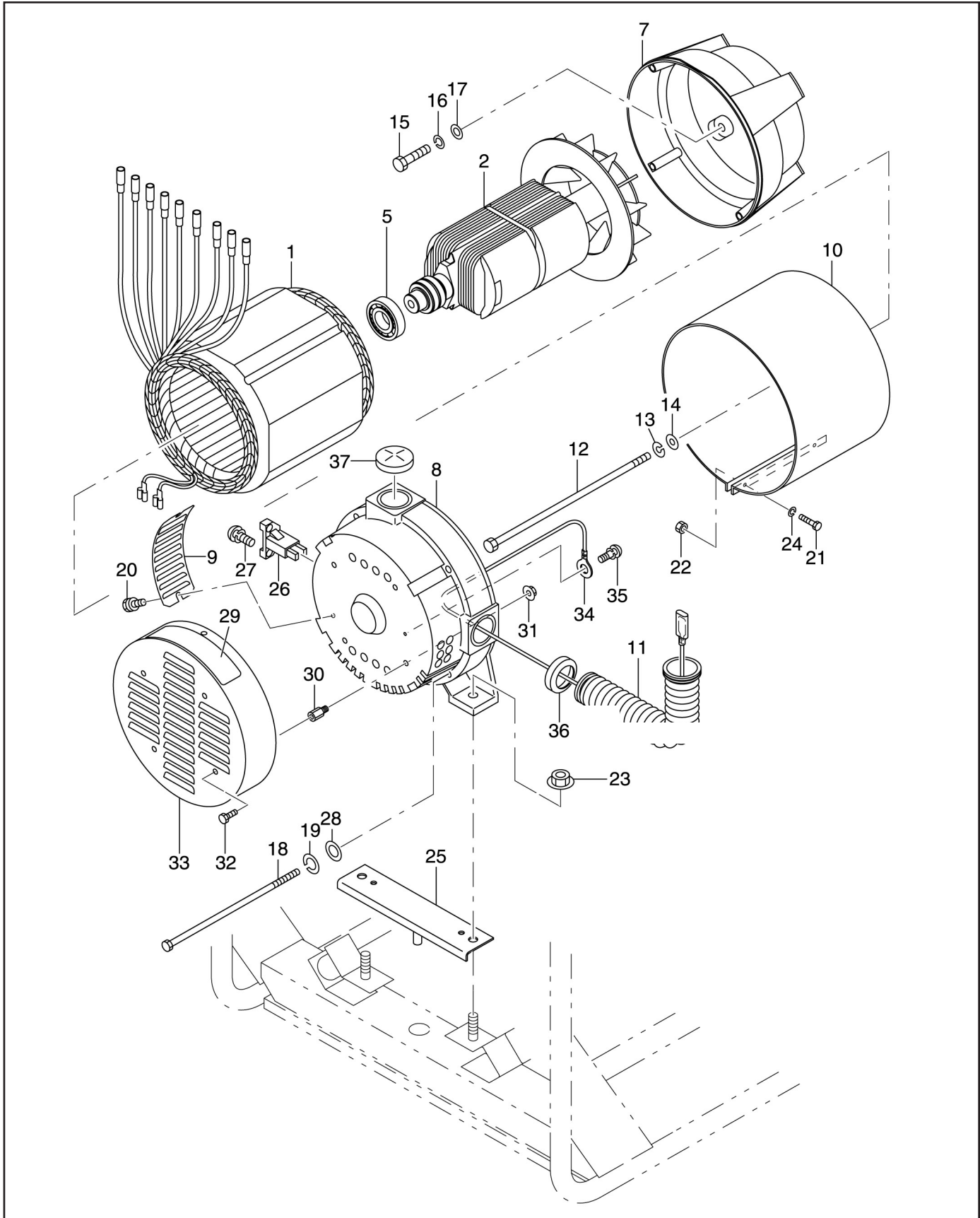


FIG. 1 GENERATOR

REF	PART NUMBER	DESCRIPTION	QTY	REMARKS
1	31F-52021-01	STATOR, compl.	1	
*2	31F-52018-01	ROTOR, compl.	1	Includes items 4 and 5
4	31F-54006-03	SURGE ABSORBER	1	
5	392-58209-08	BEARING	1	
7	31F-53001-03	FRONT BRACKET	1	
8	31F-53016-01	REAR COVER	1	
9	31F-54004-01	BRUSH COVER	1	
10	31F-54003-01	STATOR COVER	1	
11	353-57506-08	BUSHING	1	
12	31F-54002-01	THROUGH BOLT(5/16-24×265mm)	1	
13	003-20080-00	SPRING WASHER	1	
14	003-10080-00	WASHER	1	
15	31F-54001-01	BOLT (3/8-16×25mm)	4	
16	003-20100-00	SPRING WASHER	4	
17	003-10100-00	WASHER	4	
18	365-58006-08	COVER BOLT (M8×220mm)	4	
19	003-20080-00	SPRING WASHER	4	
20	356-59953-08	BOLT and WASHER ASS'Y (M5×12mm)	2	
21	31F-54005-01	BOLT (M4×18mm)	2	
22	002-17040-00	NUT(M4)	2	
23	002-38100-00	FLANGE NUT (M10)	2	
24	003-20040-00	SPRING WASHER	2	RGV13100T
25	31F-61002-01	GENERATOR BASE	1	
26	31G-74001-01	BRUSH HOLDER, compl.	1	
27	31G-62001-01	SCREW and WASHER ASS'Y (M5×20mm)	2	
28	003-10080-00	WASHER	4	
29	31F-81024-03	LABEL, model	1	
30	391-25600-03	BOLT	4	
31	002-38060-00	FLANGE NUT(M6)	4	
32	011-00600-80	FLANGE BOLT	4	
33	31F-54016-01	END COVER	1	
34	31F-62017-01	EARTH WIRE	1	RGV13100T
35	392-49986-08	SCREW and WASHER	1	RGV13100T
36	354-54525-08	CAP	1	RGV13100T
37	354-54514-08	CAP	1	RGV13100T

FIG. 2 PIPE FRAME

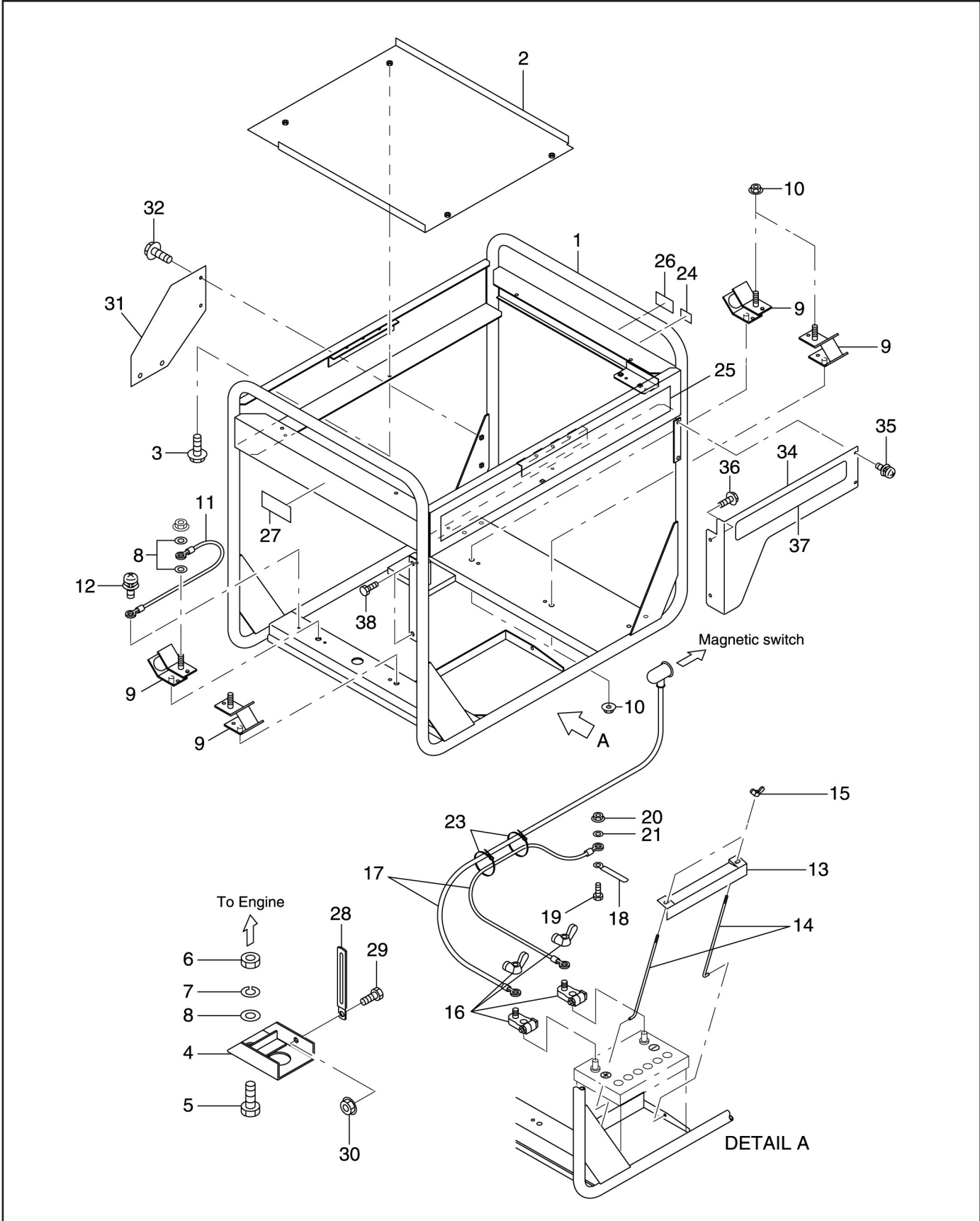


FIG. 2 PIPE FRAME

REF	PART NUMBER	DESCRIPTION	QTY	REMARKS
1	31F-61026-01	PIPE FRAME, compl.	1	RGV13000T
	31G-61005-01	PIPE FRAME, compl.	1	RGV13100T
2	31F-61024-01	BAFFLE PLATE	1	
3	011-00600-80	FLANGE BOLT (M6×12mm)	4	
	011-00600-20	FLANGE BOLT	4	RGV13100T
4	31F-61022-01	STOPPER PLATE	1	
5	001-66104-00	BOLT (M10×40mm)	1	
6	002-17100-00	NUT	1	
7	003-20100-00	SPRING WASHER	1	
8	003-10100-00	WASHER	1	
9	31F-35001-01	MOUNT, compl.	4	
10	002-38100-00	FLANGE NUT (M10)	6	
11	31F-62016-01	EARTH CORD	1	
12	392-49987-08	SCREW and WASHER ASS'Y (M5×8mm)	1	
13	31F-33001-01	BATTERY STAY, compl.	1	
14	978-21611-20	ROD, battery	2	
15	002-41060-00	WING NUT	2	
16	31F-32001-03	BATTERY TERMINAL	1	
17	31F-74016-01	WIRE CABLE SET	1	RGV13000T
	31F-74016-11	WIRE CABLE SET	1	RGV13100T
18	056-60001-70	CLAMP	1	
19	001-66084-50	BOLT (M8×45mm)	1	
20	002-38080-00	FLANGE NUT (M8)	1	
21	003-10080-00	WASHER	1	
23	056-30000-60	WIRE BAND	5	
24	31F-94102-03	LABEL, fuel strainer	1	RGV13000T
	073-20050-80	LABEL, fuel strainer	1	RGV13100T
25	31F-81023-03	LABEL	1	RGV13000T
	31G-81037-03	LABEL	1	RGV13100T
26	31F-94101-03	LABEL, choke	1	
27	073-20048-60	LABEL (hot & gas)	1	
28	056-60002-50	CLAMP	1	
29	011-00600-20	FLANGE BOLT (M6×12mm)	1	
30	002-38060-00	FLANGE NUT (M6)	1	
31	31G-61022-01	COVER PLATE	1	RGV13000T
	31G-61024-01	COVER PLATE	1	RGV13100T
32	011-00600-80	FLANGE BOLT (M6×12mm)	6	
34	31G-61027-01	PLATE, front	1	RGV13100T
35	351-49920-08	SCREW and WASHER	2	RGV13100T
36	011-00600-20	FLANGE BOLT	2	RGV13100T
37	31F-81025-03	LABEL, RGV13100T	1	RGV13100T
38	011-00600-80	FLANGE BOLT	3	RGV13100T

FIG. 3-1 CONTROL BOX - RGV13000T

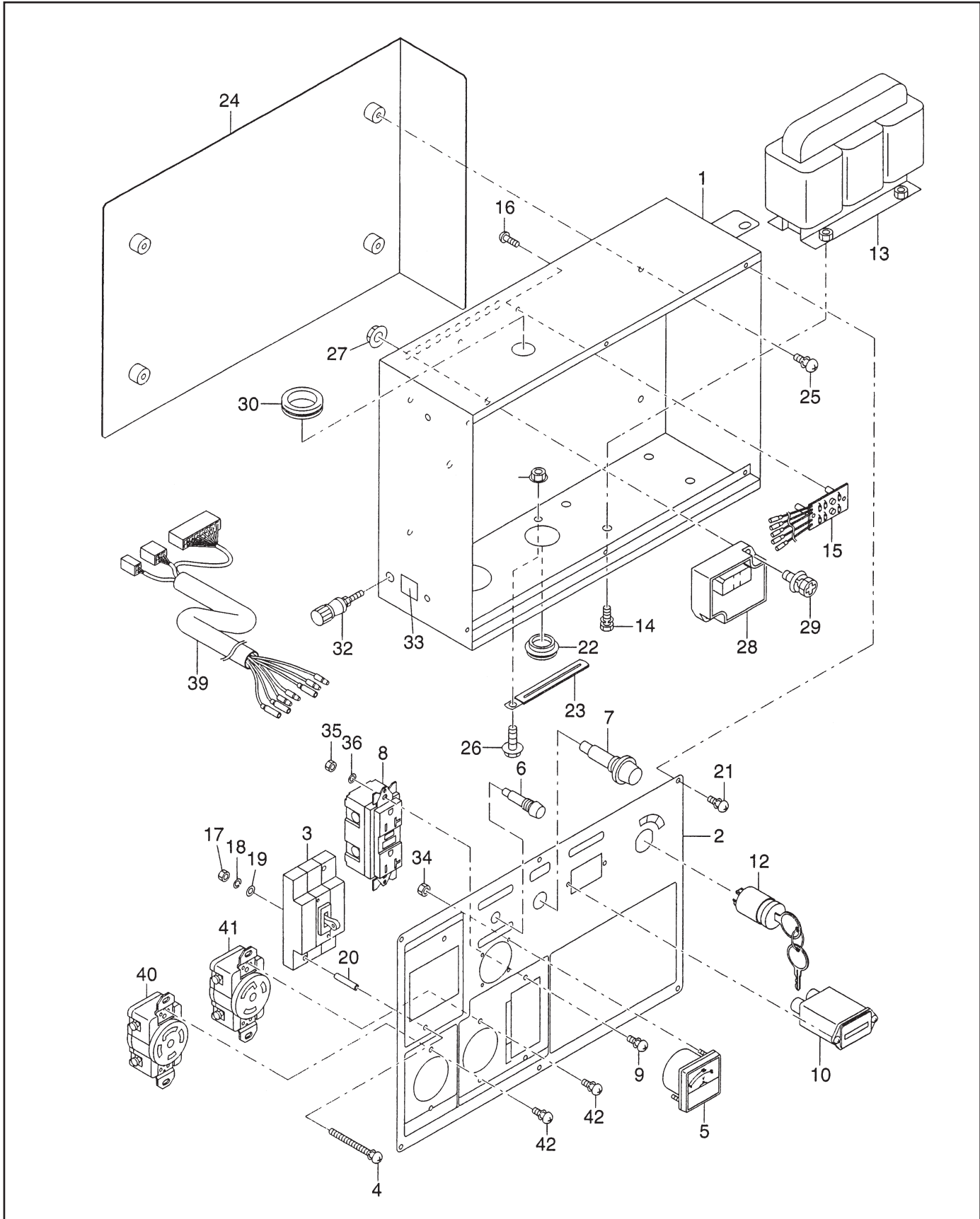


FIG. 3-1 CONTROL BOX - RGV13000T

REF	PART NUMBER	DESCRIPTION	QTY	REMARKS
*1	31F-71023-00	CONTROL BOX ASS'Y	1	Includes items 1 thru 30,32 thru 36
1	31F-73023-01	CONTROL BOX UNIT	1	
*2	31F-72024-00	CONTROL PANEL ASS'Y	1	Includes items 2 thru 12,17 thru 20,34 thru 36
2	31F-73029-01	CONTROL PANEL	1	
3	31F-75027-03	NO FUSE BREAKER (24A)	1	
4	31F-76004-01	SCREW (M4×60mm)	2	
5	391-47900-11	VOLTMETER (0~120V,240V)	1	
6	31F-75016-03	PILOT LAMP	1	
7	393-43101-01	LAMP (OIL)	1	
8	388-85003-01	AC RECEPTACLE(GFCI)	1	
9	351-49920-08	SCREW and WASHER ASS'Y (M4×10mm)	2	
10	393-40650-08	HOUR METER	1	
11	31F-75017-03	TERMINAL	4	
12	066-00003-30	KEY SWITCH	1	
13	31F-74020-01	CURRENT TRANS	1	
14	31F-76003-01	BOLT and WASHER ASS'Y (M6×15mm)	4	
15	31F-74018-01	DIODE UNIT	1	
16	392-49986-08	SCREW and WASHER ASS'Y (M4×6mm)	2	
17	002-17040-00	NUT	2	
18	003-20040-00	SPRING WASHER	2	
19	003-10040-00	WASHER	2	
20	31F-75018-03	SPACER	2	
21	351-49920-08	SCREW and WASHER ASS'Y (M4×10mm)	6	
22	389-89001-03	GROMMET	1	
23	056-60002-50	CLAMP	1	
24	31F-73026-01	PLATE	1	
25	366-49997-08	SCREW and WASHER ASS'Y (M5×10mm)	4	
26	011-00600-20	FLANGE BOLT (M6×12mm)	1	
27	002-38060-00	FLANGE NUT (M6)	3	
28	KU3-11058-01	ECU(O/S & R/C),compl.	1	
29	004-36062-00	SCREW and WASHER ASS'Y (M6×20mm)	2	
30	024-11500-10	GROMMET	1	
32	353-45716-08	TERMINAL BOLT	1	
33	30G-49106-08	LABEL, earth	1	
34	002-17030-00	NUT (M3)	2	
35	002-17040-00	NUT (M3)	2	
36	003-10040-00	WASHER	2	

FIG. 3-2 CONTROL BOX - RGV13100T

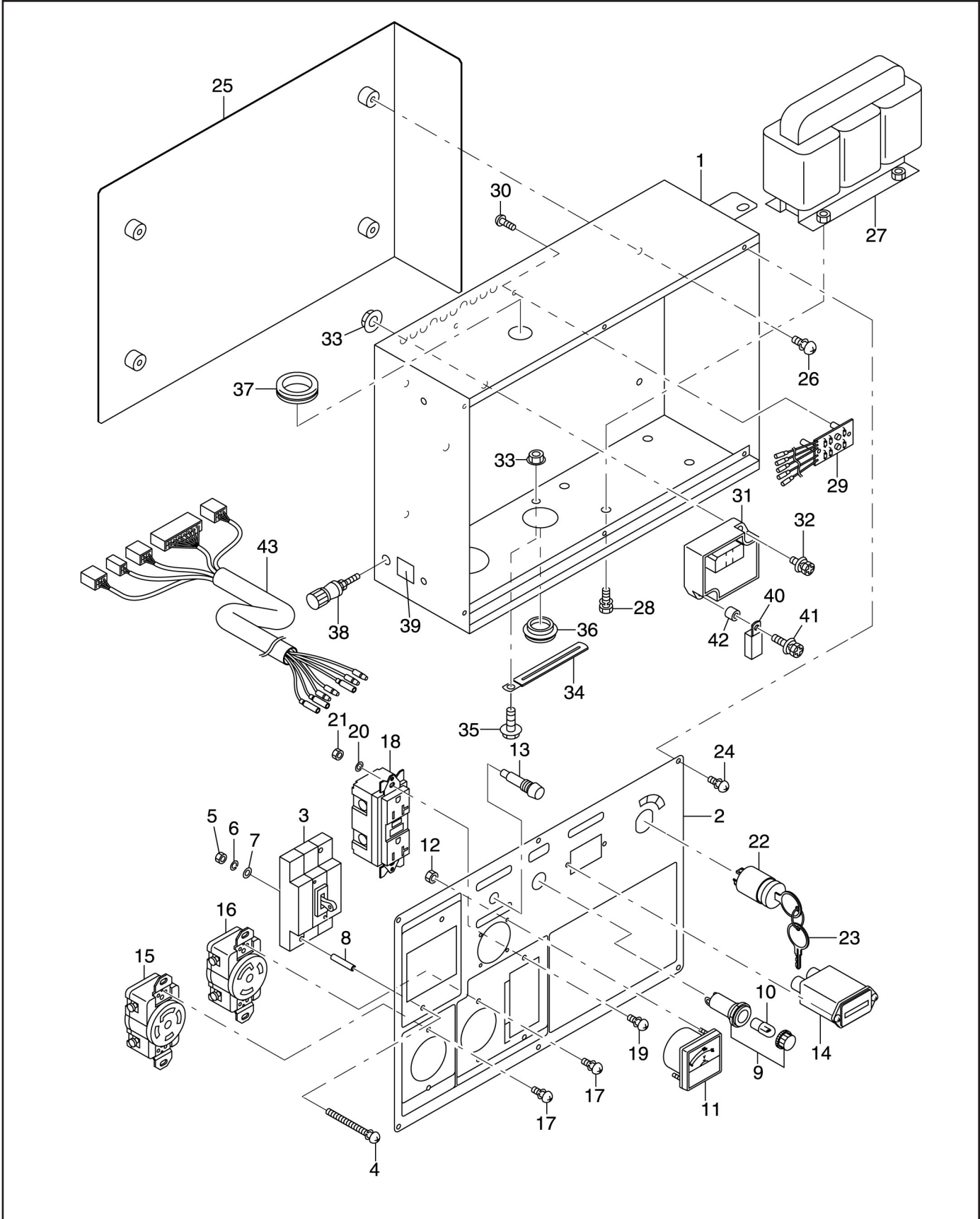


FIG. 3-2 CONTROL BOX - RGV13100T

REF	PART NUMBER	DESCRIPTION	QTY	REMARKS
*1	31F-71026-00	CONTROL BOX ASS'Y	1	Includes items 1 thru 43
1	31F-73023-11	CONTROL BOX UNIT	1	
*2	31F-72027-00	CONTROL PANEL ASS'Y	1	Includes items 2 thru 23
2	31F-73032-01	CONTROL PANEL	1	
3	31F-75027-03	NO FUSE BREAKER (24A)	1	
4	31F-76004-01	SCREW (M4×60mm)	2	
5	002-17040-00	NUT	2	
6	003-20040-00	SPRING WASHER	2	
7	003-10040-00	WASHER	2	
8	31F-75018-03	SPACER	2	
*9	393-43101-01	LAMP (OIL)	1	Includes item 10
10	393-45006-01	LAMP (18V-0.11A)	1	
11	391-47900-11	VOLTMETER (0?120V,240V)	1	
12	002-17030-00	NUT (M3)	2	
13	31F-75016-03	PILOT LAMP	1	
14	393-40651-08	HOUR METER	1	
15	31F-75021-03	AC RECEPTACLE (20A-125V)	1	
16	380-45749-08	AC RECEPTACLE (30A-125V)	1	
17	31G-75015-03	SCREW	4	
18	388-85003-01	AC RECEPTACLE(GFCI)	1	
19	351-49920-08	SCREW and WASHER ASS'Y (M4×10mm)	2	
20	003-10040-00	WASHER	2	
21	002-17040-00	NUT (M3)	2	
*22	066-00003-30	KEY SWITCH	1	Includes item 23
23	066-00099-80	KEY	2	
24	351-49920-08	SCREW and WASHER ASS'Y (M4×10mm)	6	
25	31F-73026-01	PLATE, box	1	
26	366-49997-08	SCREW and WASHER ASS'Y (M5×10mm)	4	
27	31F-74020-01	CURRENT TRANS	1	
28	31F-76003-01	BOLT and WASHER ASS'Y (M6×15mm)	4	
29	31F-74018-01	DIODE UNIT	1	
30	392-49986-08	SCREW and WASHER ASS'Y (M4×6mm)	2	
31	KU3-11062-11	ECU(O/S & R/C),compl.	1	
31	KU3-11062-01	ECU(O/S & R/C),compl.	1	
32	004-36062-00	SCREW and WASHER ASS'Y (M6×20mm)	1	
32	004-36062-00	SCREW and WASHER ASS'Y (M6×20mm)	2	
33	002-38060-00	FLANGE NUT (M6)	3	
34	056-60002-50	CLAMP	1	
35	011-00600-20	FLANGE BOLT (M6×12mm)	1	
36	389-89001-03	GROMMET	1	
37	024-11500-10	GROMMET	1	
38	353-45716-08	TERMINAL BOLT	1	
39	30G-49106-08	LABEL, earth	1	
40	391-48301-01	RELAY	1	

FIG. 3-2 CONTROL BOX - RGV13100T

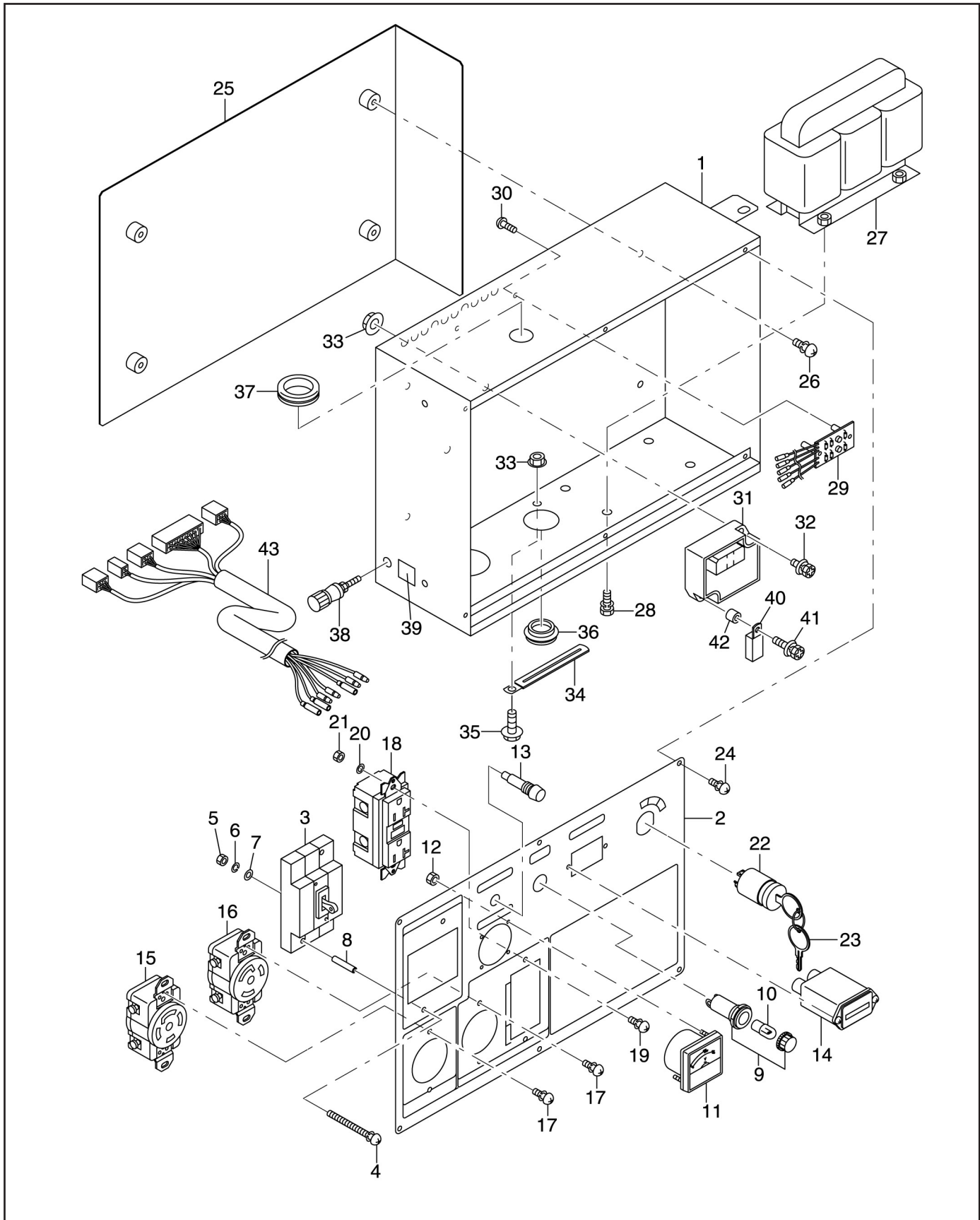


FIG. 4-1 2-WHEEL KIT - RGV13100T

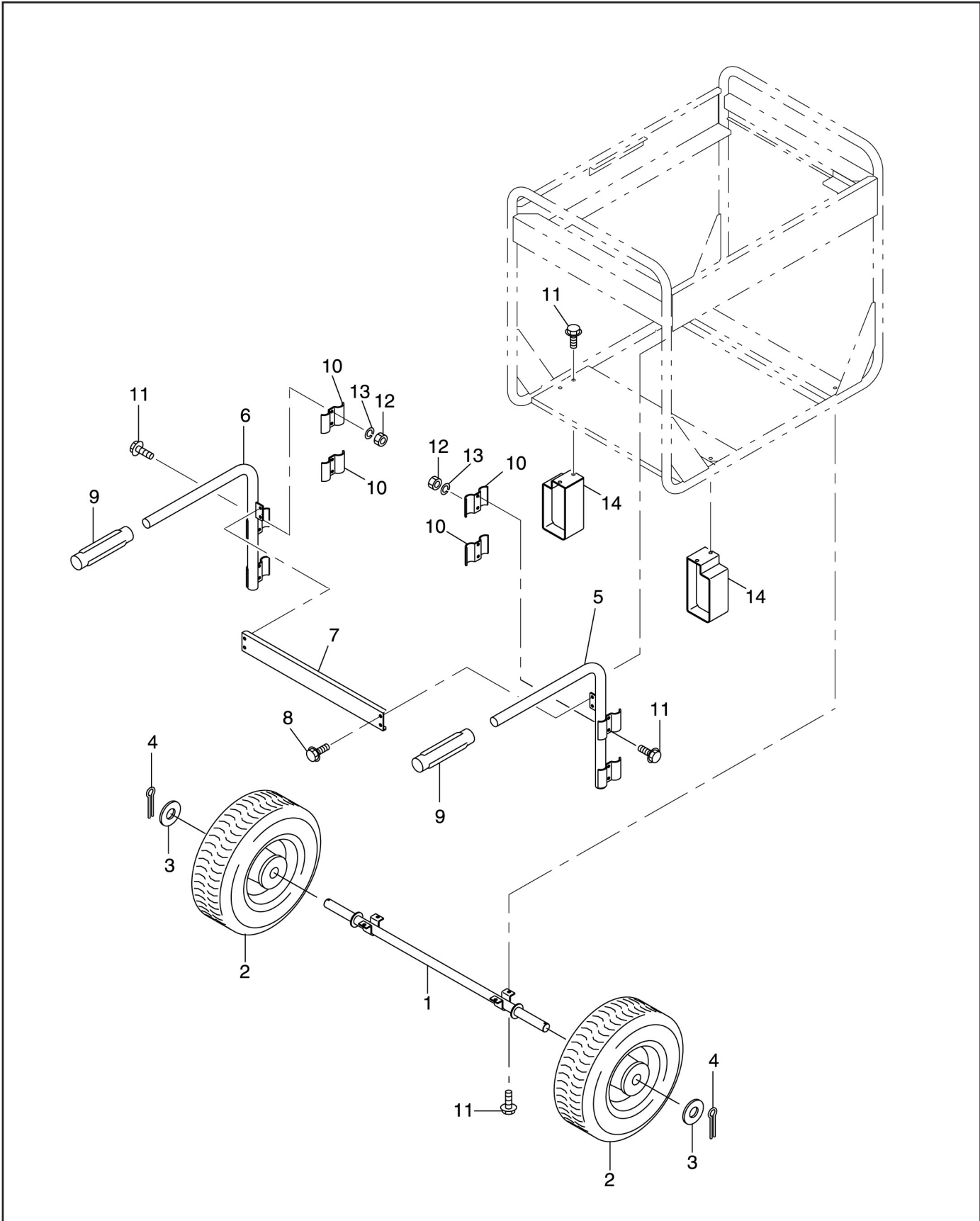


FIG. 4-2 4-WHEEL KIT

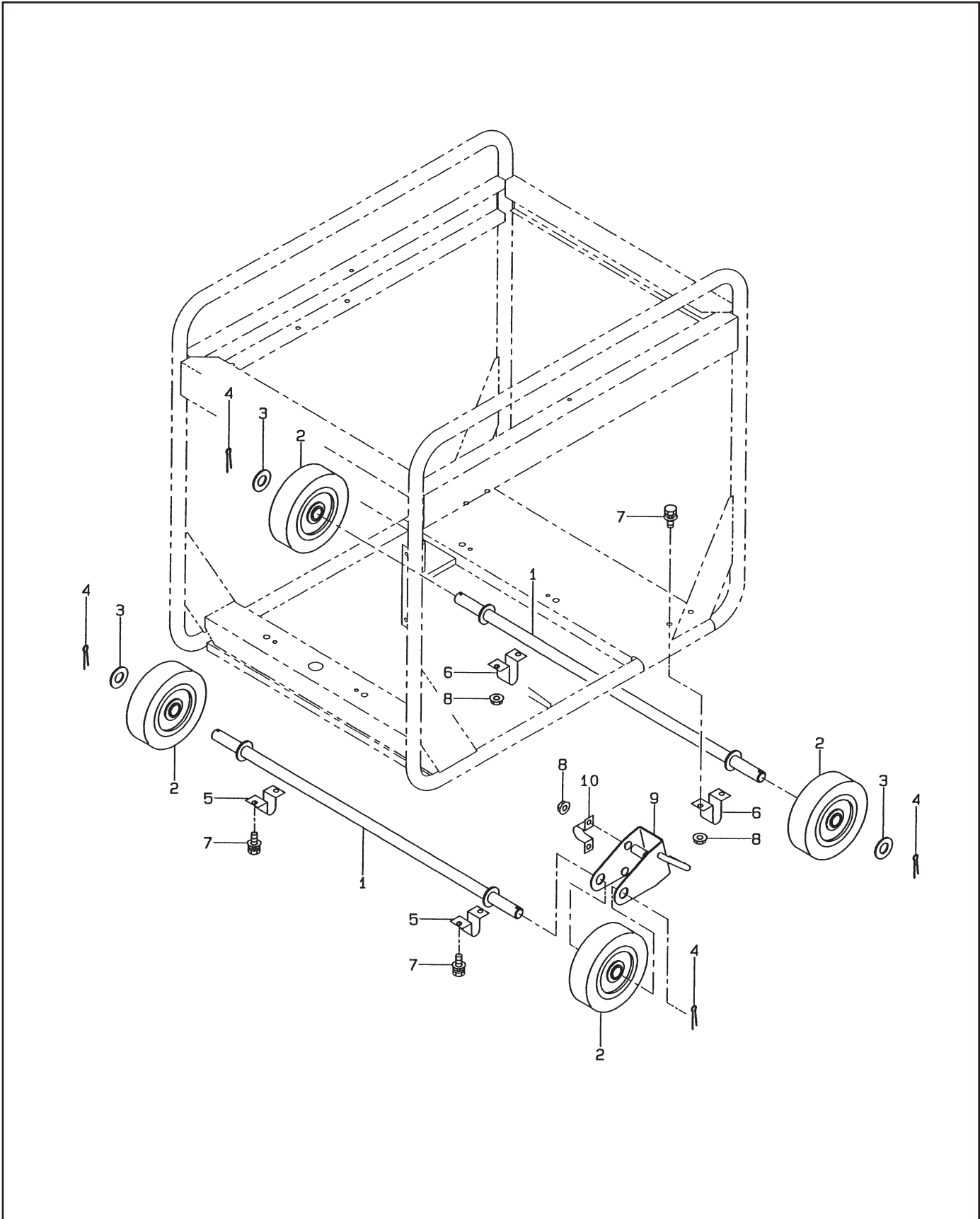


FIG. 4-2 4-WHEEL KIT

REF	PART NUMBER	DESCRIPTION	QTY	REMARKS
1	31F-61006-01	SHAFT UNIT	2	RGV13000T
	31G-63021-01	SHAFT UNIT	2	RGV13100T
2	385-54389-08	WHEEL	4	
3	385-54390-08	WASHER	4	
4	005-10404-00	COTTER PIN	4	
5	31F-61007-01	BRACKET, generator side	2	
6	31F-61008-01	BRACKET, engine side	2	RGV13000T
	31G-63022-01	BRACKET, engine side	2	RGV13100T
7	001-14082-00	BOLT and WASHER ASS'Y	8	
8	002-38080-00	FLANGE NUT	6	
9	31G-39501-00	STOPPER ASS'Y	1	
10	31G-61023-01	CLAMP	1	RGV13000T
	31G-61026-01	CLAMP	1	RGV13100T

FIG. 5-1 FUEL TANK - 13000T

REF	PART NUMBER	DESCRIPTION	QTY	REMARKS
1	31D-36011-01	FUEL TANK, compl.	2	
2	064-80003-00	FUEL GAUGE, compl.	2	
3	014-50500-40	SCREW, counter head	4	
4	043-05900-11	FUEL TANK CAP	2	
5	064-15400-11	FUEL FILTER	2	
6	31F-61023-01	FUEL TANK BRACKET, compl.	1	
7	001-66082-00	BOLT (M8×20mm)	2	
8	011-00600-80	FLANGE BOLT (M6×12mm)	4	
10	011-00602-20	FLANGE BOLT (M6×21mm)	8	
11	391-39000-13	RUBBER WASHER	8	
*12	064-20095-00	FUEL STRAINER ASS'Y	2	Includes items 13 thru 15
13	064-20095-10	FILTER	2	
14	064-20030-30	PACKING	2	
15	064-20036-10	CUP	2	
16	085-10600-00	RUBBER PIPE (ø6×ø12×800mm)	1	
17	085-10600-00	RUBBER PIPE (ø6×ø12×420mm)	1	
18	085-10600-00	RUBBER PIPE (ø6×ø12×390mm)	1	
19	085-10600-00	RUBBER PIPE (ø6×ø12×670mm)	1	
20	056-11100-20	HOSE CLAMP	8	
21	31F-39002-03	PURSE LOCK	2	
22	31F-36001-01	TANK COVER, compl.	1	
23	388-93004-03	LABEL, caution	1	
24	073-20045-10	LABEL, symbol-tank	1	
25	011-00600-30	FLANGE BOLT (M6×14mm)	2	

FIG. 5-2 FUEL TANK - RGV13100T

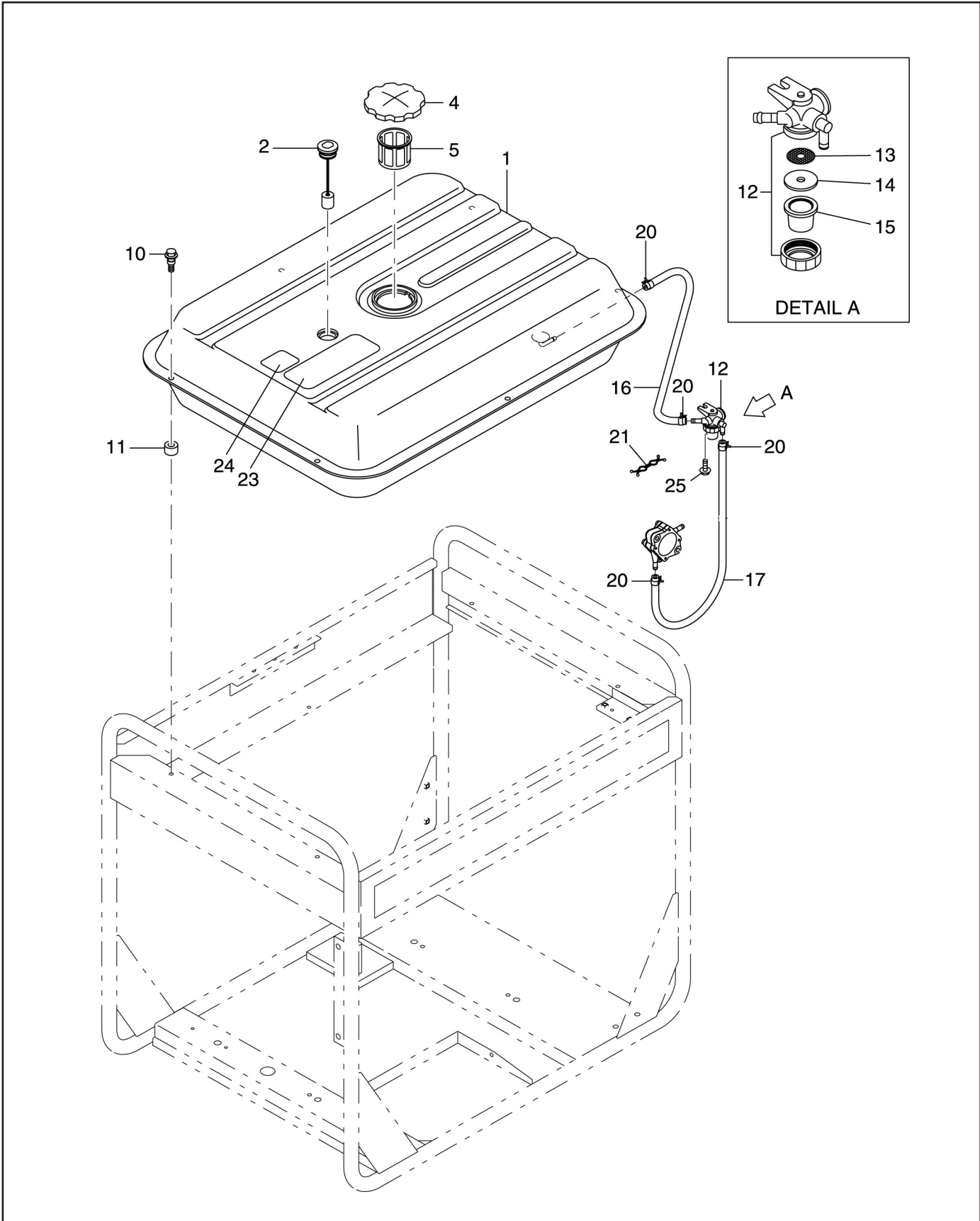


FIG. 6 CRANKCASE GROUP

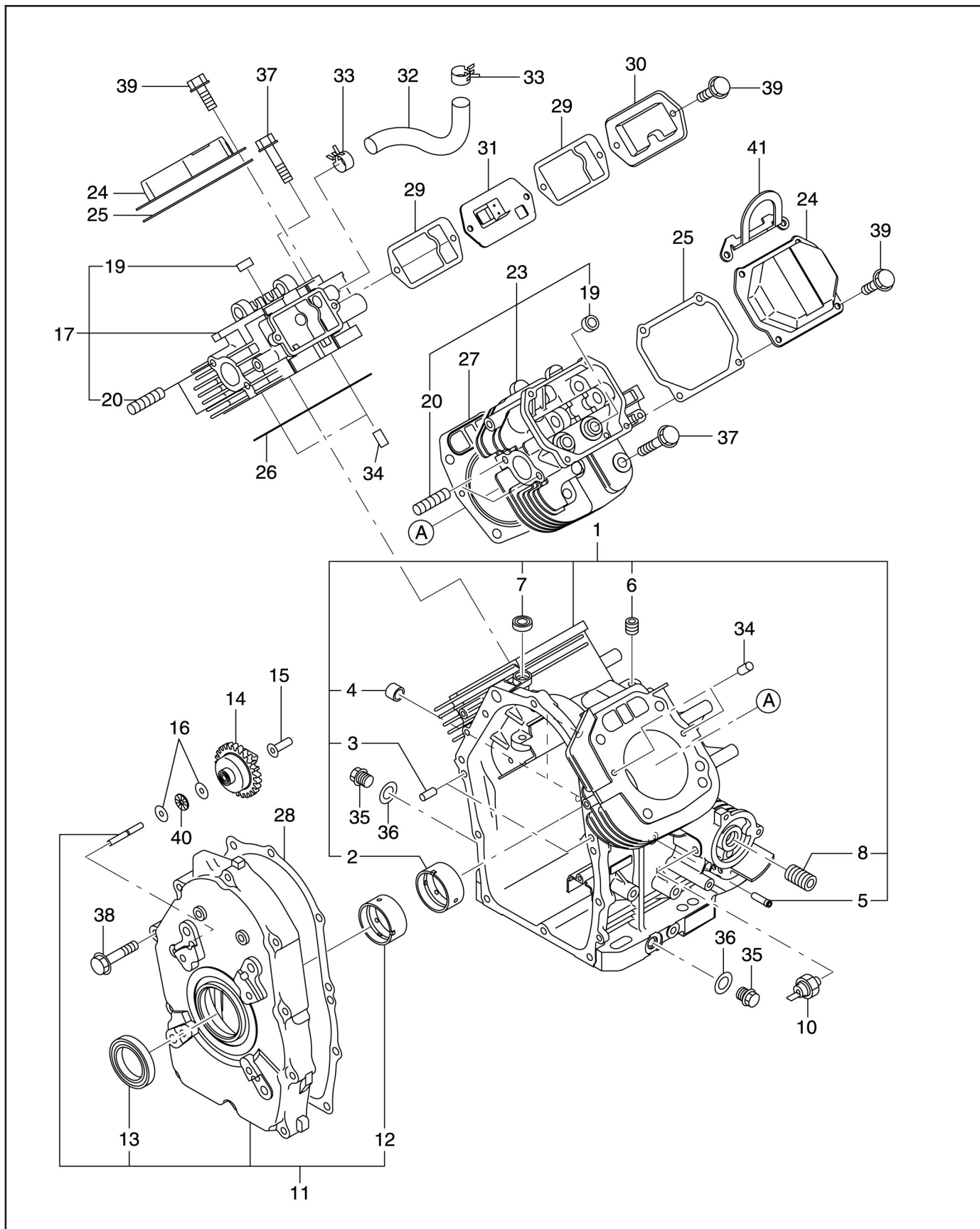


FIG. 6 CRANKCASE GROUP

REF	PART NUMBER	DESCRIPTION	QTY	REMARKS
*1	263-10101-21	CRANKCASE, compl.	1	Includes items 2 thru 9
2	263-15802-03	MAIN BEARING	1	
3	005-26081-80	DOWEL PIN	2	
4	142-55601-03	PIPE	2	
5	159-65401-03	PIPE (PULSE)	1	
6	263-15911-A1	BLIND PLUG	1	
7	044-00800-10	OIL SEAL	1	
8	263-15901-03	UNION	1	
9	045-01200-10	STEEL BALL	1	
10	248-76301-01	SWITCH OIL PRESSURE	1	
*11	263-11101-C1	MAIN BEARING COVER, compl.	1	Includes items 12 and 13
12	263-15802-03	MAIN BEARING	1	
13	044-04200-30	OIL SEAL	1	
14	263-45001-A1	GOVERNOR GEAR, compl.	1	
15	263-41901-03	GOVERNOR SLEEVE	1	
16	263-46214-A3	WASHER	2	
*17	263-13001-A1	CYLINDER HEAD 1, compl.	1	Includes items 18 thru 22
18	132-12AA0-80	VALVE GUIDE	4	
19	132-07AA0-50	SEAL-INTAKE VALVE	2	
20	010-50802-90	STUD	8	
21	X45-00600-10	STEEL BALL	2	
22	263-16201-03	PLUG	1	
*23	263-13101-A1	CYLINDER HEAD 2, compl.	1	Includes items 18 thru 21
24	246-15501-01	ROCKER COVER, compl.	2	
25	246-16002-13	GASKET, rocker cover	2	
26	263-15001-13	GASKET 1, cyl. head	1	
27	263-15101-13	GASKET 2, cyl. head	1	
28	263-16001-A3	GASKET, main bearing cover	1	
29	263-16006-03	GASKET, breather plate	2	
30	263-14301-03	BREATHER COVER	1	
31	263-14401-01	BREATHER PLATE, compl.	1	
32	263-18001-03	RUBBER PIPE	1	
33	056-11800-20	HOSE CLAMP	2	
34	031-00600-20	DOWEL PIN	4	
35	040-11400-30	PLUG	2	
36	021-11400-20	GASKET	2	
37	011-01000-30	FLANGE BOLT	8	
38	011-00800-90	FLANGE BOLT	10	
39	011-00600-30	FLANGE BOLT	10	
40	263-46213-A3	THRUST BEARING	1	
41	263-19001-A3	HOOK	2	

FIG. 7 CRANKSHAFT GROUP

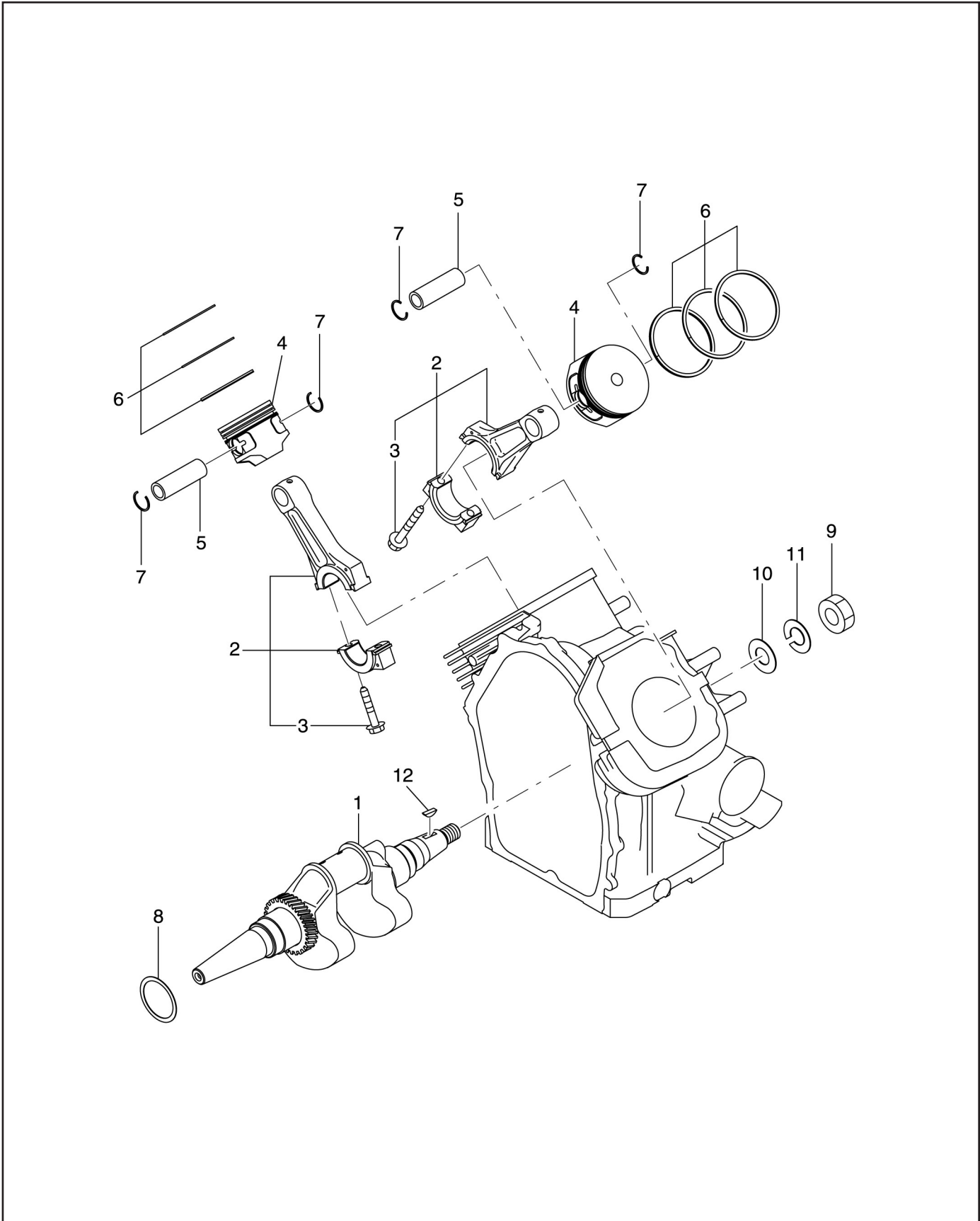


FIG. 7 CRANKSHAFT GROUP

REF	PART NUMBER	DESCRIPTION	QTY	REMARKS
1	263-21201-01	CRANKSHAFT, compl.	1	
*2	263-22501-00	CONNECTING ROD ASS'Y	2	Includes item 3
3	246-23001-13	CONNECTING ROD BOLT	2	
4	263-23401-03	PISTON (STD)	2	
4	263-23402-03	PISTON (over size 0.25mm)	2	
4	263-23403-03	PISTON (over size 0.50mm)	2	
5	263-23301-03	PISTON PIN	2	
6	263-23501-07	PISTON RING SET (STD)	2	
6	263-23502-07	PISTON RING SET (over size 0.25mm)	2	
6	263-23503-07	PISTON RING SET (over size 0.50mm)	2	
7	056-52100-20	CLIP	4	
8	263-25011-A3	SPACER, t=0.6	1	Select 1 piece only
8	263-25012-A3	SPACER, t=0.8	1	Select 1 piece only
8	263-25013-A3	SPACER, t=1.0	1	Select 1 piece only
9	002-18180-00	NUT	1	
10	003-10180-00	WASHER	1	
11	003-20180-00	SPRING WASHER	1	
12	005-32054-01	WOODRUFF KEY	1	

FIG. 8 INTAKE and EXHAUST GROUP

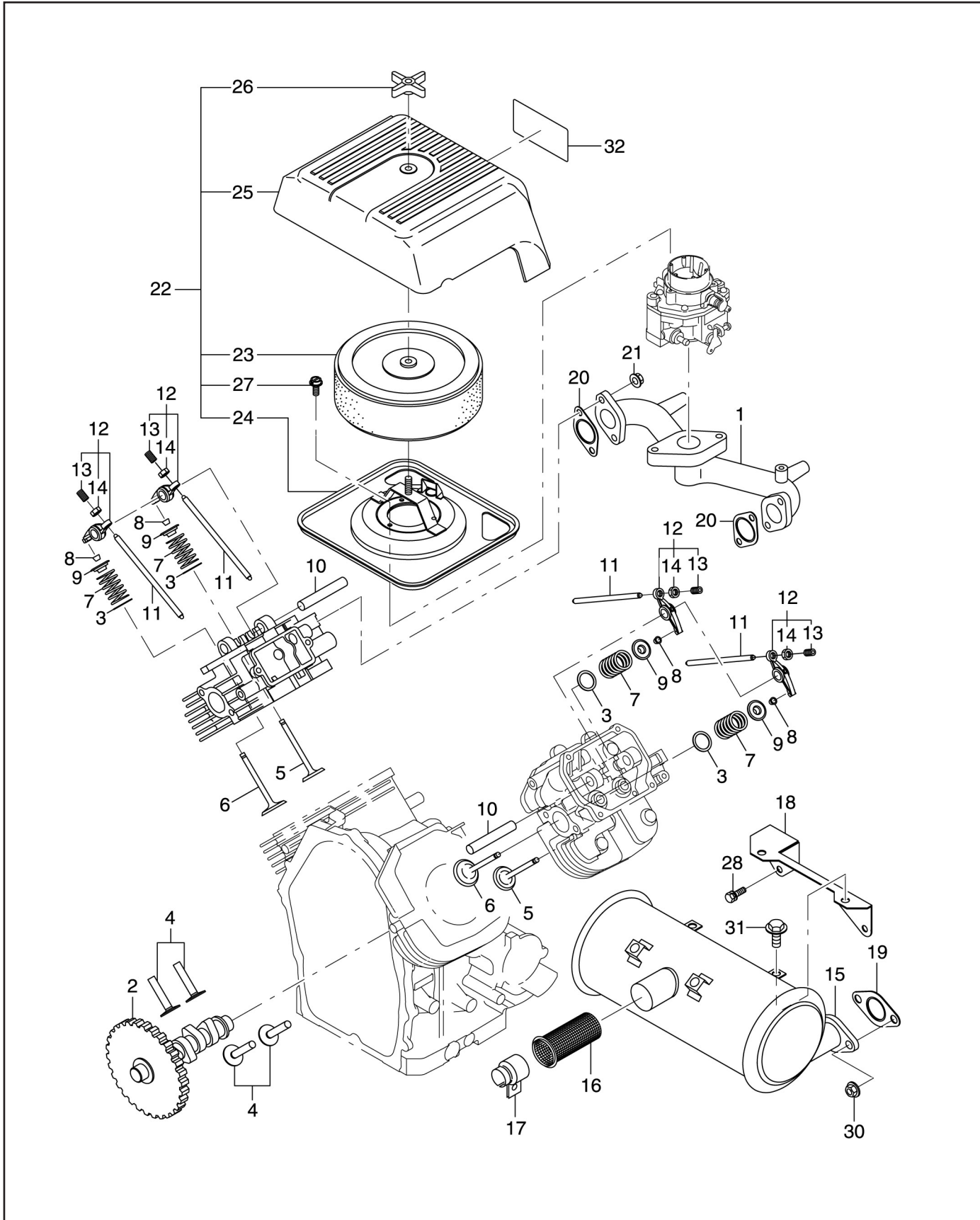


FIG. 8 INTAKE and EXHAUST GROUP

REF	PART NUMBER	DESCRIPTION	QTY	REMARKS
1	263-33001-03	INTAKE MANIFOLD	1	
2	263-31701-03	CAMSHAFT	1	
3	020-02000-10	WASHER	4	
4	263-33301-A3	TAPPET	4	
5	263-33401-03	INTAKE VALVE	2	
6	263-33502-03	EXHAUST VALVE	2	
7	246-33611-03	VALVE SPRING	4	
8	246-35501-03	COLLET-VALVE	8	
9	246-33711-03	SPRING RETAINER	4	
10	239-35001-03	ROCKER SHAFT	2	
11	263-35311-01	PUSH ROD	4	
*12	246-36101-10	ROCKER ARM ASS'Y	4	Includes items 13 and 14
13	014-90800-21	ADJUSTING SCREW	4	
14	017-00800-90	NUT	4	
15	263-30102-A1	MUFFLER ASS'Y	1	
16	263-37321-A2	SPARK ARRESTER	1	
17	263-37302-A3	CLAMP ASS'Y	1	
18	263-37001-A1	BRACKET MUFFLER	1	
19	263-35201-A1	GASKET EXHAUST	2	
20	263-35503-A3	GASKET, muffler	2	
21	002-38080-00	FLANGE NUT	4	
*22	263-32601-00	AIR CLEANER ASS'Y	1	Includes items 23 thru 26
23	263-32610-A1	CLEANER ELEMENET, compl.	1	
24	263-32620-01	CLEANER BASE, compl.	1	
25	263-32630-03	CLEANER COVER	1	
26	263-32640-01	WING NUT	1	
27	X10-10500-10	BOLT	3	
28	001-14082-00	BOLT and WASHER ASS'Y	2	
30	018-00800-10	FLANGE NUT	4	
31	011-00600-30	FLANGE BOLT	2	
32	263-91718-03	LABEL (TRADE MARK)	1	

FIG. 9 GOVERNOR GROUP

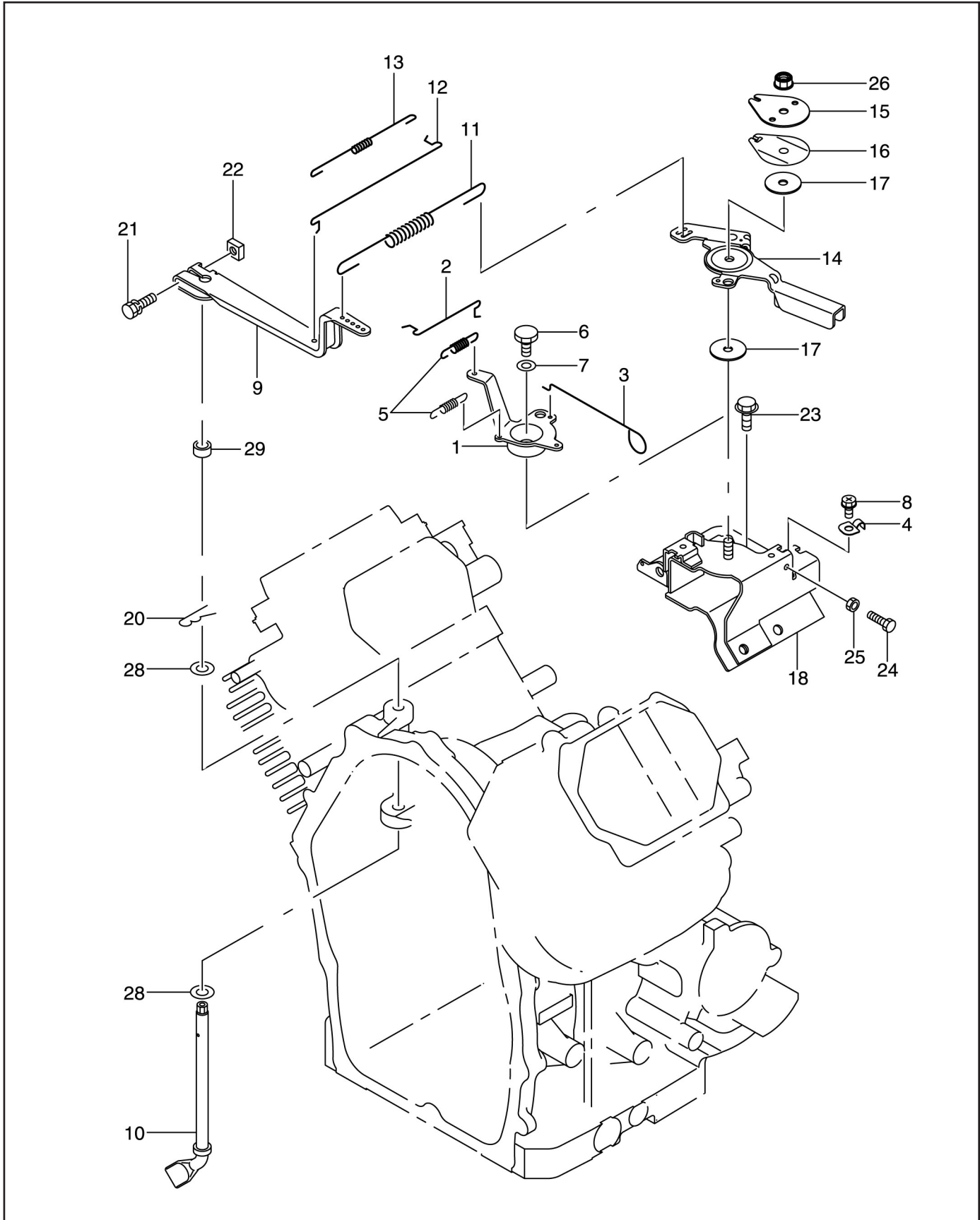


FIG. 9 GOVERNOR GROUP

REF	PART NUMBER	DESCRIPTION	QTY	REMARKS
1	263-46001-03	CHOKE CONTROL LINK	1	
2	263-46011-01	CHOKE CONTROL ROD	1	
3	263-43901-01	CHOKE KNOB	1	
4	263-46010-03	CLAMP, choke knob	1	
5	261-45201-03	RETURN SPRING	2	
6	261-43101-01	LINK PIVOT	1	
7	003-22100-00	WAVED WASHER	1	
8	015-20500-10	TAPPING SCREW	1	
9	263-42301-A3	GOVERNOR LEVER	1	
10	263-42201-A3	GOVERNOR SHAFT	1	
11	263-42507-03	GOVERNOR SPRING	1	
12	263-42701-01	GOVERNOR ROD	1	
13	263-42801-03	ROD SPRING	1	
14	263-43301-A3	SPEED CONTROL LEVER	1	
15	227-43501-13	STOP PLATE	1	
16	263-45002-03	SPRING WASHER	1	
17	021-70600-30	FRICTION WASHER	2	
18	263-45011-02	BRACKET UNIT, speed control	1	
20	005-11060-01	SNAP PIN	1	
21	001-14063-00	BOLT and WASHER ASS'Y	1	
22	018-60600-20	NUT	1	
23	011-00600-20	FLANGE BOLT	2	
24	011-50500-20	BOLT	1	
25	002-27050-00	NUT	1	
26	017-60600-20	SELF LOCK NUT	1	
28	003-10080-00	WASHER	1	
29	X23-00801-50	SPACER	1	

FIG. 10 COOLING and STARTING GROUP

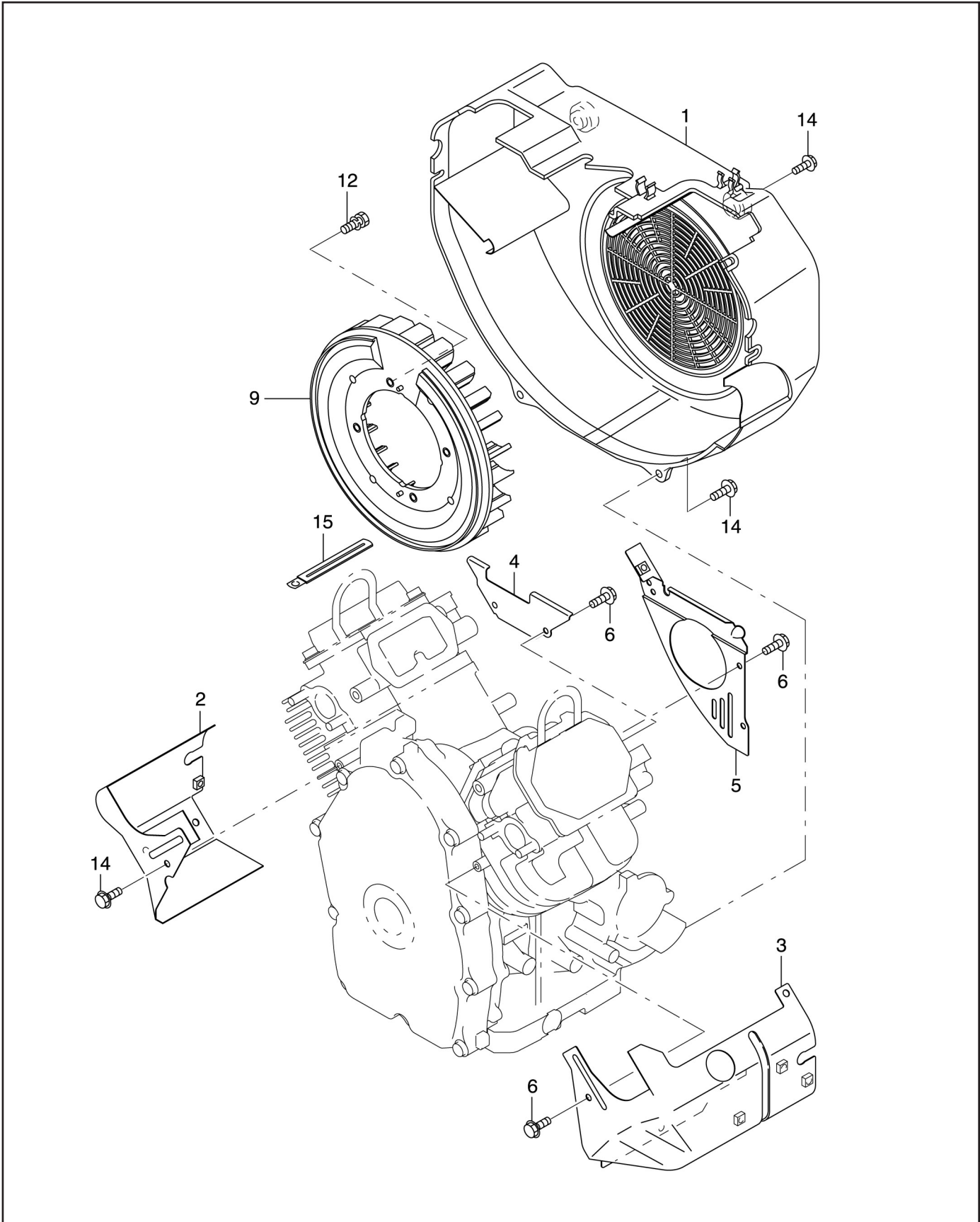


FIG. 11-1 FUEL, LUBRICANT GROUP - RGV13000T

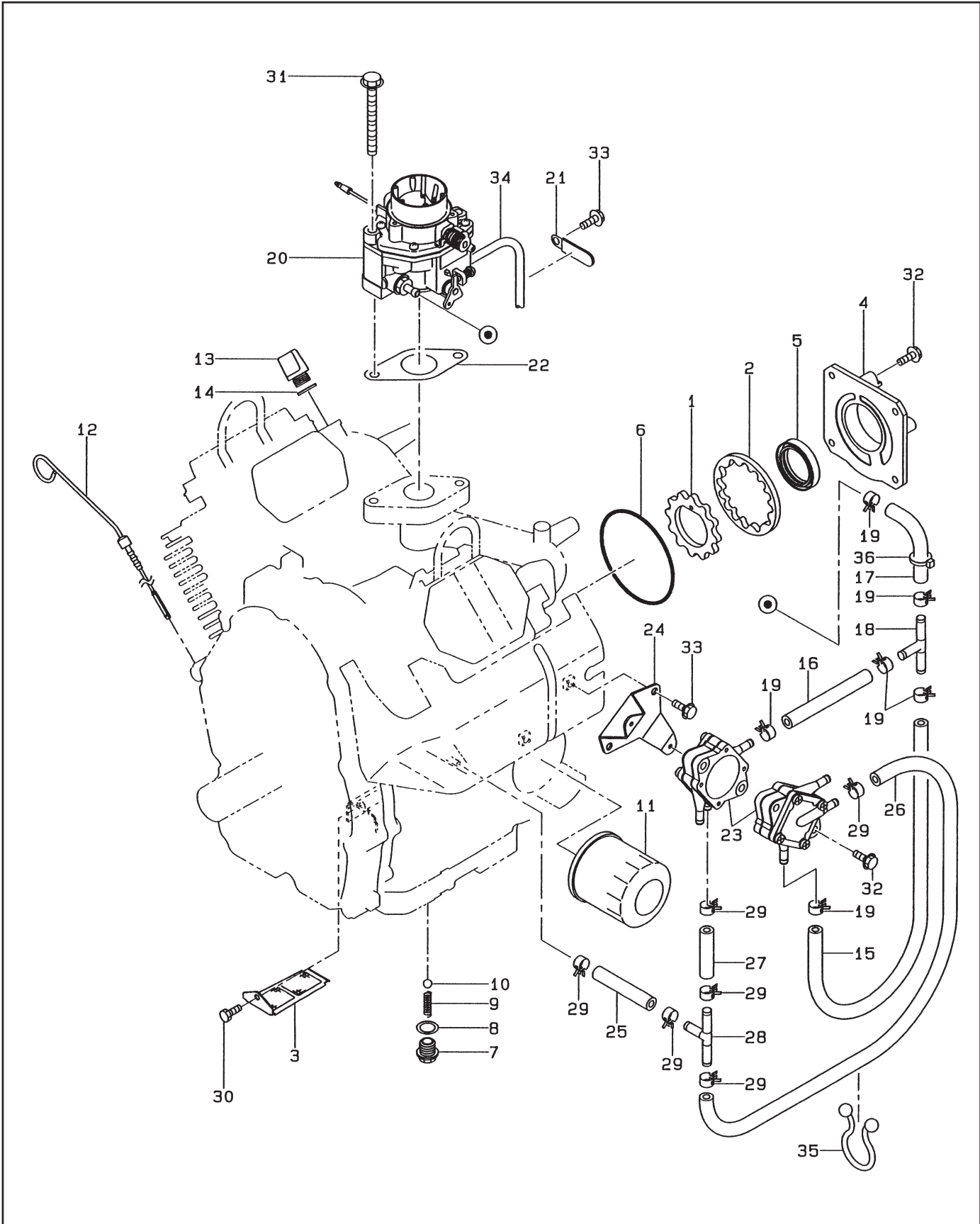


FIG. 11-1 FUEL, LUBRICANT GROUP - RGV13000T

REF	PART NUMBER	DESCRIPTION	QTY	REMARKS
1	263-63901-03	INNER ROTOR	1	
2	263-63902-03	OUTER ROTOR	1	
3	263-64301-02	OIL PUMP FILTER UNIT	1	
*4	263-64001-01	OIL PUMP COVER, compl.	1	Includes item 5
5	044-03500-90	OIL SEAL	1	
6	X24-08900-20	O RING	1	
7	263-65001-13	PLUG, oil relief	1	
8	003-70140-00	GASKET, aluminum	1	
9	248-65601-03	SPRING, relief valve	1	
10	006-90308-00	STEEL BALL	1	
11	261-65902-A0	OIL FILTER ASS'Y	1	
12	263-63603-01	OIL GAUGE, compl.	1	
13	263-63602-03	OIL FILTER CAP	1	
14	021-31600-10	GASKET	1	
*15	263-62602-01	FUEL PIPE 2, compl.	1	Includes items 15 thru 19
15	085-10600-00	RUBBER PIPE (ø6×ø12×340mm)	1	
16	085-10600-00	RUBBER PIPE (ø6×ø12×90mm)	1	
17	085-10600-00	RUBBER PIPE (ø6×ø12×370mm)	1	
18	234-67101-03	T CONNECTOR	1	
19	056-11100-20	HOSE CLAMP	6	
20	263-62503-00	CARBURETOR ASS'Y	1	
21	206-75501-01	CLAMP, compl.	2	
22	263-66201-A3	GASKET, carburetor	1	
23	248-62201-00	FUEL PUMP ASS'Y	2	
24	263-65002-A3	BRACKET, fuel pump	1	
*25	263-62651-01	PULSES PIPE 2, compl.	1	Includes items 25 thru 29
25	085-10600-00	RUBBER PIPE (ø6×ø12×120mm)	1	
26	085-10600-00	RUBBER PIPE (ø6×ø12×370mm)	1	
27	085-10600-00	RUBBER PIPE (ø6×ø12×45mm)	1	
28	234-67101-03	T CONNECTOR	1	
29	056-11100-20	HOSE CLAMP	6	
30	X11-60500-20	BOLT	1	
31	011-00801-10	FLANGE BOLT	2	
32	011-00601-40	FLANGE BOLT	6	
33	011-00600-20	FLANGE BOLT	3	
34	160-67402-A3	VINYL PIPE	1	
35	31F-39003-03	PURSE LOCK	1	
36	056-30000-40	WIRE BAND	1	

FIG. 11-2 FUEL, LUBRICANT GROUP - RGV13100T

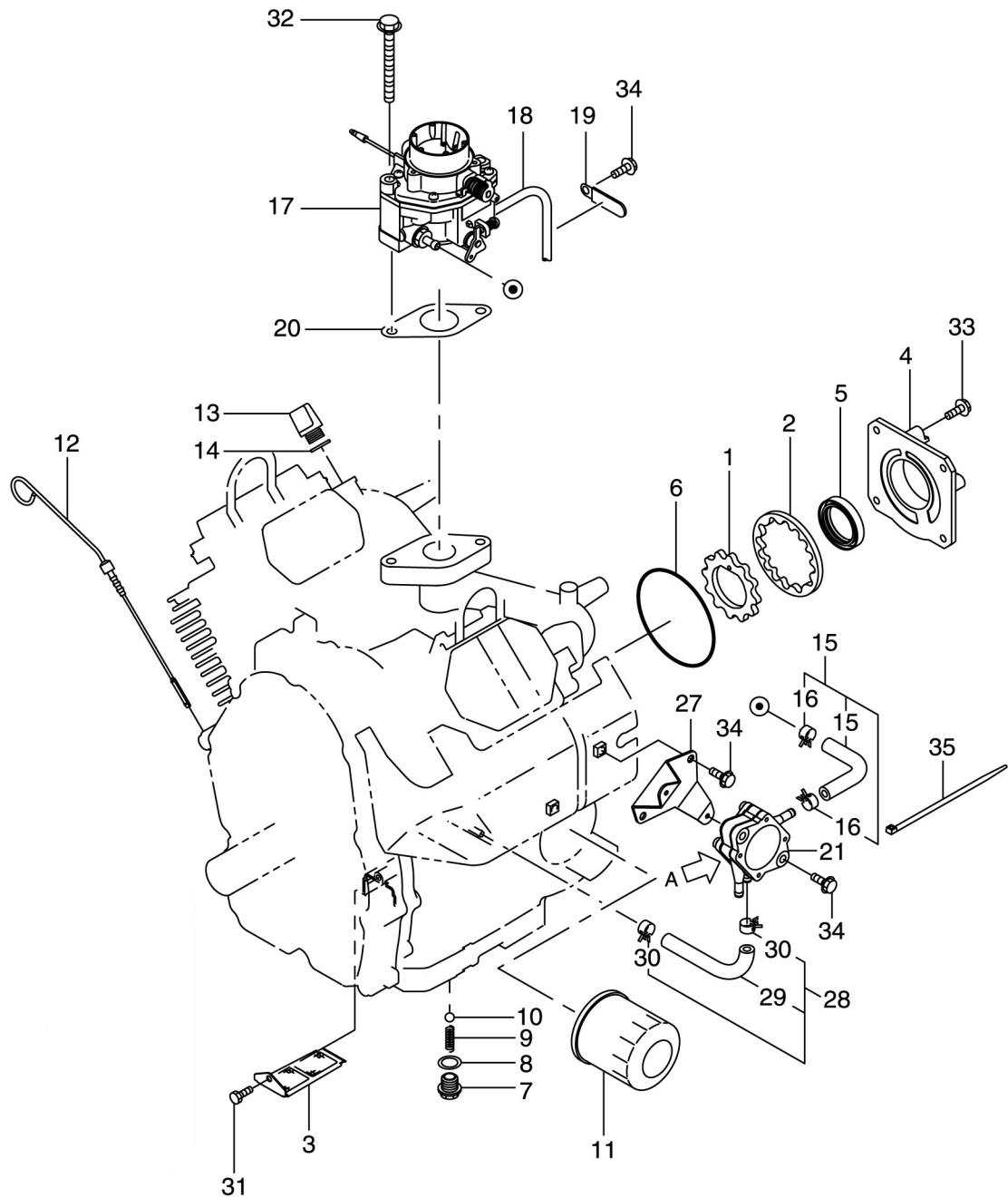


FIG. 11-2 FUEL, LUBRICANT GROUP - RGV13100T

REF	PART NUMBER	DESCRIPTION	QTY	REMARKS
1	263-63901-03	INNER ROTOR	1	
2	263-63902-03	OUTER ROTOR	1	
3	263-64302-02	OIL PUMP FILTER UNIT	1	
3	263-64301-02	OIL PUMP FILTER UNIT	1	
*4	263-64001-01	OIL PUMP COVER, compl.	1	Includes item 5
5	044-03500-90	OIL SEAL	1	
6	X24-08900-20	O RING	1	
7	263-65001-13	PLUG, oil relief	1	
8	003-70140-00	GASKET, aluminum	1	
9	248-65601-03	SPRING, relief valve	1	
10	006-90308-00	STEEL BALL	1	
11	248-65801-00	OIL FILTER ASS'Y	1	
11	261-65902-A0	OIL FILTER ASS'Y	1	
12	263-63603-01	OIL GAUGE, compl.	1	
13	263-63602-03	OIL FILTER CAP	1	
14	021-31600-10	GASKET	1	
*15	263-62601-01	FUEL PIPE, compl.	1	Includes items 15 and 16
15	263-68001-A3	RUBBER PIPE (1/4"× 1/2")	1	
15	263-68001-03	RUBBER PIPE (1/4"× 1/2")	1	
16	263-68501-03	HOSE CLAMP	2	
17	263-62503-00	CARBURETOR ASS'Y	1	
18	160-67402-A3	VINYL PIPE	1	
19	206-75501-01	CLAMP, compl.	2	
20	263-66201-A3	GASKET, carburetor	1	
20	263-66201-03	GASKET, carburetor	1	
*21	248-62201-00	FUEL PUMP ASS'Y	1	Includes items 22 and 26
22	251-62251-08	DIAPHRAGM GASKET SET	1	
26	251-62250-08	SCREW	4	
27	263-65002-A3	BRACKET, fuel pump	1	
27	263-65002-02	BRACKET, fuel pump	1	
*28	263-62650-01	PULSE PIPE, compl.	1	Includes items 29 and 30
29	263-68051-A3	RUBBER PIPE (1/4"× 1/2")	1	
29	263-68051-03	RUBBER PIPE (1/4"× 1/2")	1	
30	263-68501-03	HOSE CLAMP	2	
31	263-65011-A3	FLANGE BOLT	1	
31	X10-10500-10	BOLT (10-32UNF-2A)	1	
32	011-00801-10	FLANGE BOLT (M8×80mm)	2	
33	011-00601-40	FLANGE BOLT (M6×18mm)	4	
34	011-00600-20	FLANGE BOLT (M6×12mm)	5	
35	056-30000-40	WIRE BAND	1	

FIG. 12 CARBURETOR GROUP

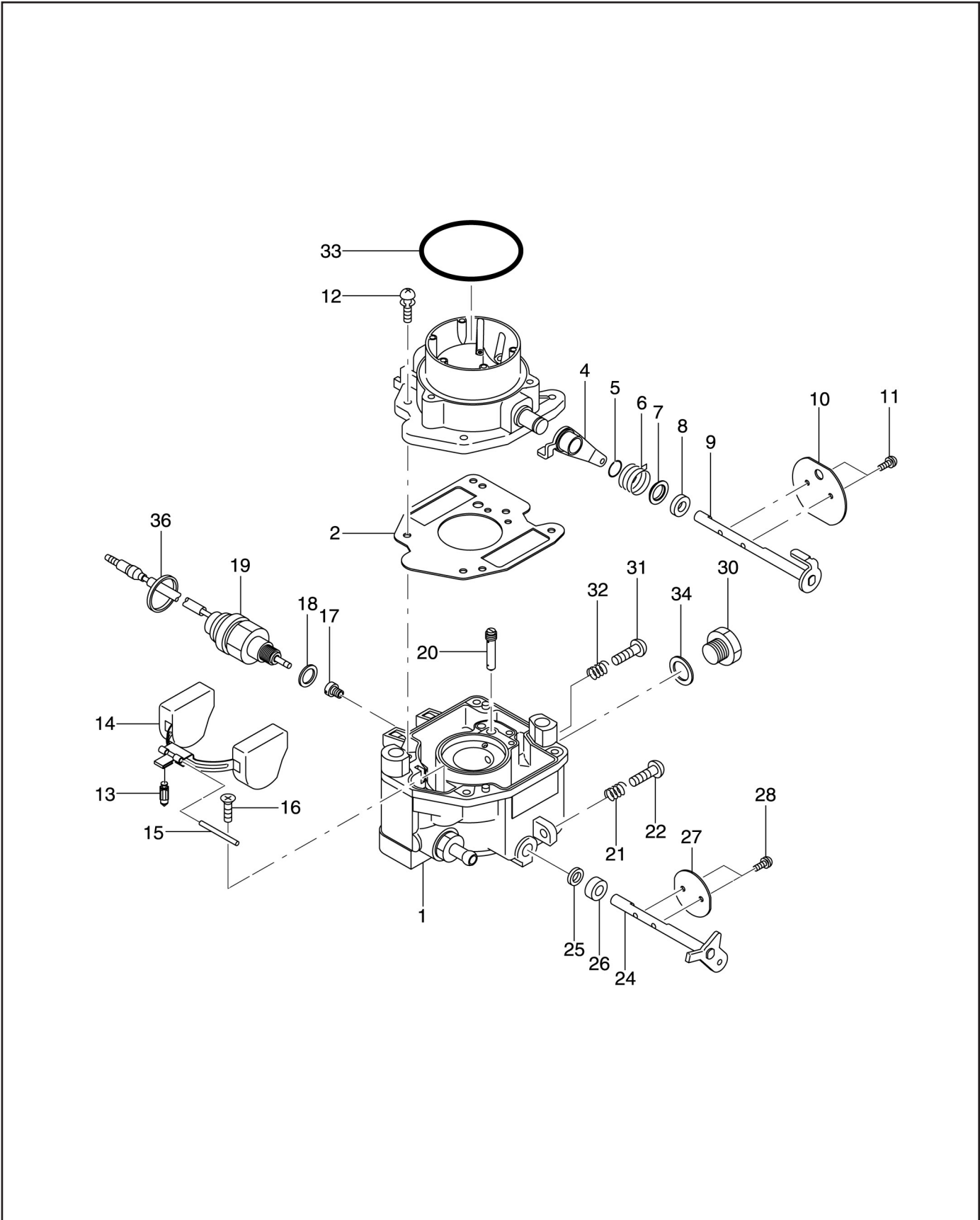


FIG. 12 CARBURETOR GROUP

REF	PART NUMBER	DESCRIPTION	QTY	REMARKS
*1	263-62503-00	CARBURETOR ASS'Y	1	Includes items 2 thru 36
2	258-62545-08	GASKET, air horn	1	
4	263-62524-08	LEVER ASS'Y, choke	1	
5	258-62551-08	RING, choke lever	1	
6	263-62445-08	SPRING, choke	1	
7	258-62553-08	COLLAR, choke	1	
8	258-62554-08	FILTER, choke shaft	1	
9	263-62520-08	SHAFT ASS'Y, choke	1	
10	258-62525-08	CHOKE VALVE	1	
11	258-62555-08	SCREW, valve set	2	
12	258-62450-08	SCREW, air horn set	4	
13	226-62501-08	VALVE, float	1	
14	258-62505-08	FLOAT ASS'Y	1	
15	258-62515-08	FLOAT PIN	1	
16	258-62556-08	SCREW, float pin set	1	
17	263-62400-08	MAIN JET (#132)	1	
18	258-62546-08	GASKET	1	
19	258-62557-18	SOLENOID VALVE ASS'Y	1	
20	258-62420-08	JET, slow (#60)	1	
21	258-62445-08	SPRING, adjust screw	1	
22	258-62451-08	SCREW, throttle adjust	1	
23	261-62435-08	NEEDLE, idle adjust	1	
24	263-62532-08	THROTTLE SHAFT ASS'Y	1	
25	226-62580-08	FILTER, throttle shaft	1	
26	258-62570-08	COLLAR	1	
27	263-62535-08	THROTTLE VALVE	1	
28	261-62352-08	VALVE SET SCREW (M3×5mm)	2	
29	258-62560-08	EXPANSION PLUG	1	
30	258-62566-08	CLAMP, solenoid	1	
31	263-62551-08	PLUG	1	
32	215-62353-08	SCREW	1	
33	215-62446-08	SPRING	1	
34	263-62560-08	O RING	1	
35	263-62555-08	GASKET	1	
36	263-62570-08	PLUG, ANTI TAMPER	1	

FIG. 13 ELECTRIC GROUP

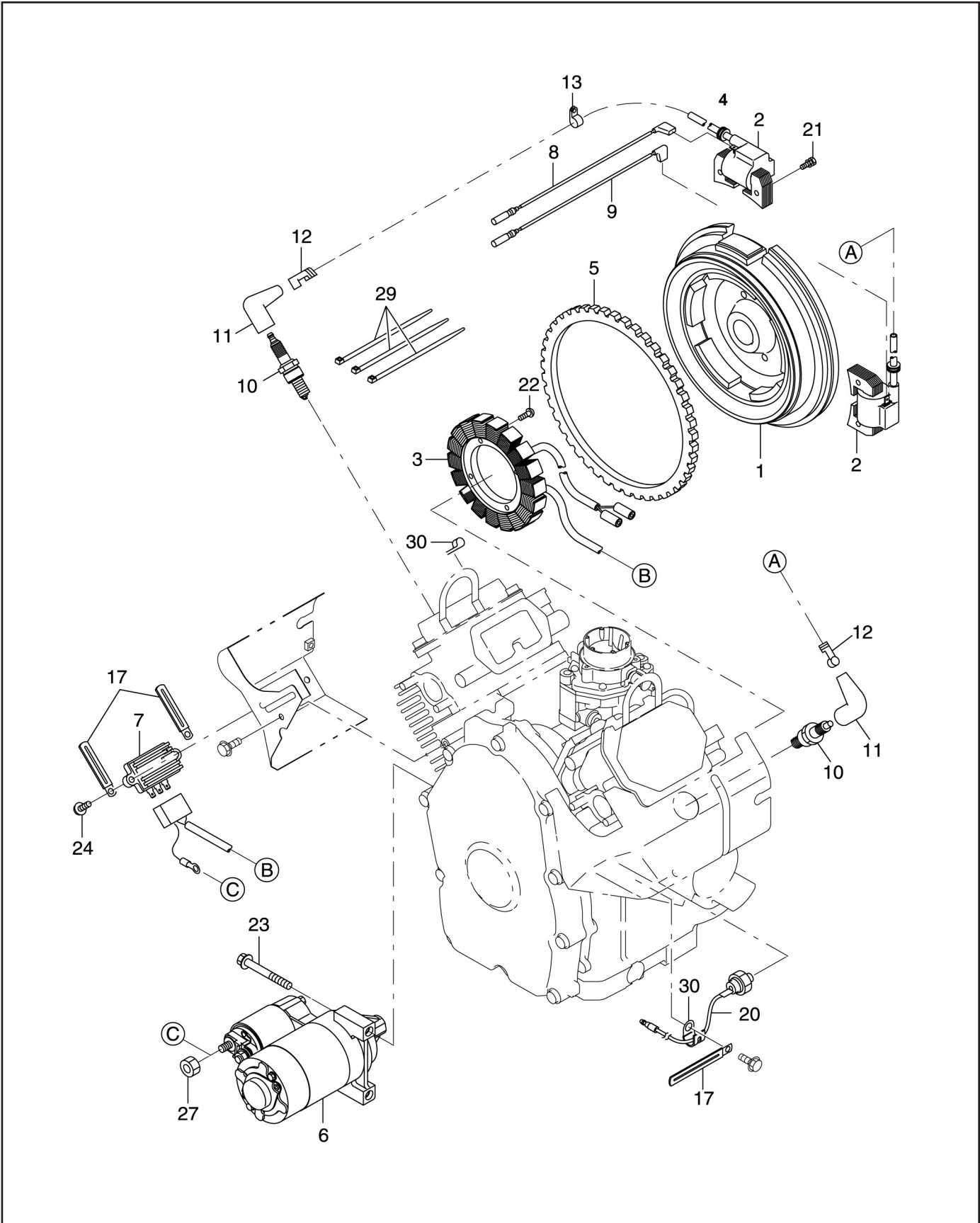


FIG. 13 ELECTRIC GROUP

REF	PART NUMBER	DESCRIPTION	QTY	REMARKS
1	263-77202-01	FLYWHEEL, compl.	1	
2	263-78201-01	IGNITION COIL, compl.	2	
3	263-79405-A1	CHARGE COIL, compl.	1	
3	263-79411-A1	CHARGE COIL, compl.	1	
5	263-71001-03	RING GEAR	1	
6	263-70502-A0	STARTING MOTOR ASS'Y	1	
7	263-71901-01	REGULATOR, compl.	1	
8	263-73016-01	WIRE 4, compl.	1	
9	263-73017-01	WIRE 5, compl.	1	
10	065-01404-80	SPARK PLUG (BPR6ES)	2	
11	065-50001-40	SPARK PLUG CAP	2	
12	065-90000-10	PLUG TERMINAL	2	
13	206-75501-01	CLAMP, compl.	1	
17	056-60002-50	CLAMP	3	
20	263-73102-A1	WIRE ASS'Y, oil pressure switch	1	
21	001-14063-00	BOLT and WASHER ASS'Y	4	
22	013-10500-40	SCREW and WASHER ASS'Y (M5×20mm)	4	
23	011-00801-00	FLANGE BOLT (M8×65mm)	2	
24	011-00601-40	FLANGE BOLT (M6×18mm)	2	
27	002-38080-00	FLANGE NUT	1	
29	056-30000-10	WIRE BAND	3	
30	206-75501-01	CLAMP, compl.	2	

FIG. 14 STARTING MOTOR GROUP

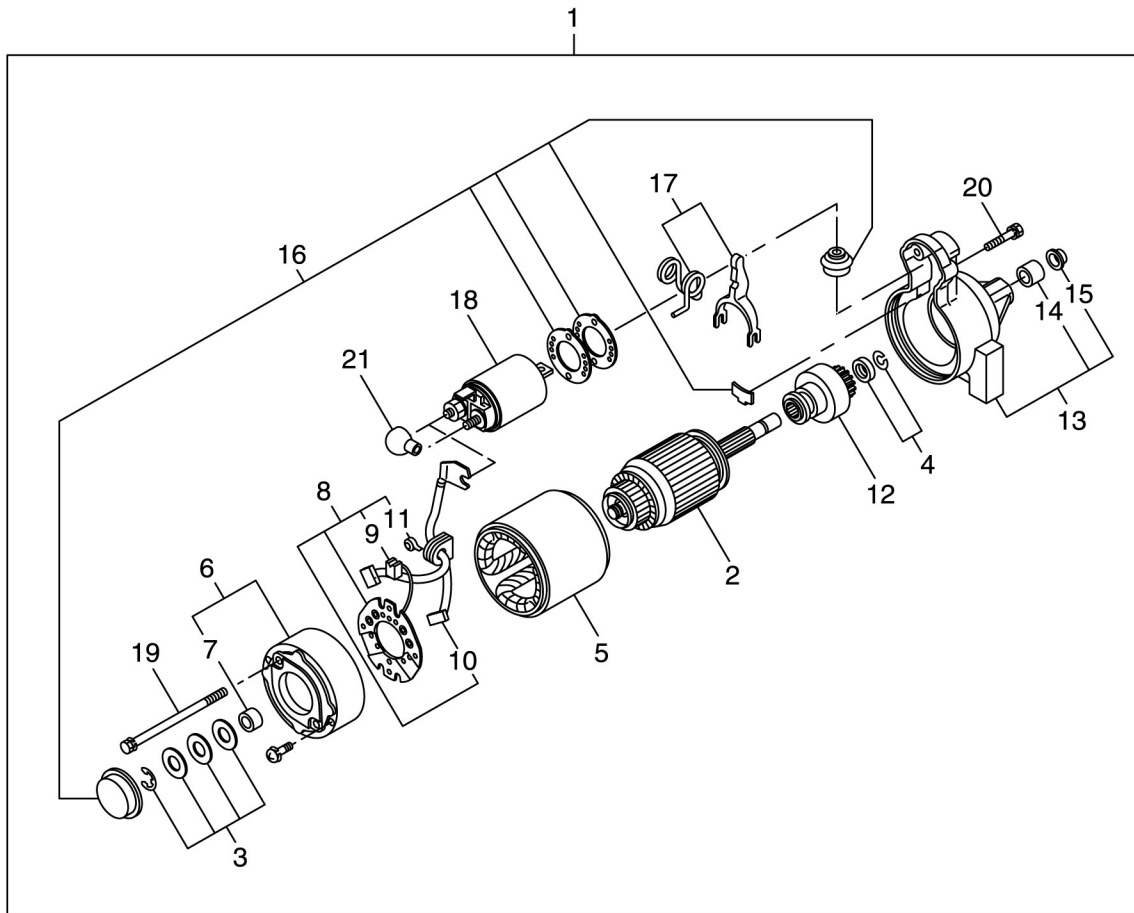
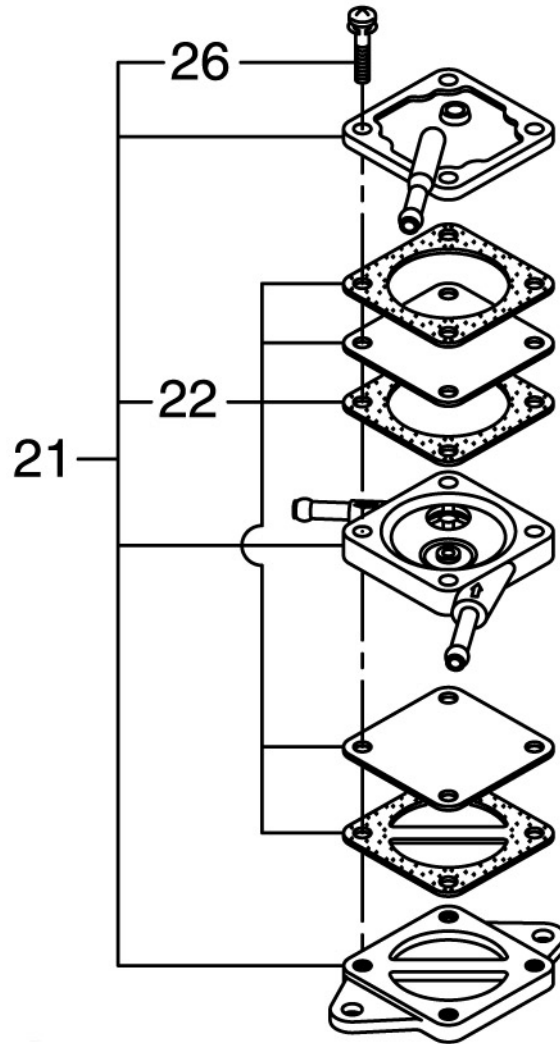


FIG. 14 STARTING MOTOR GROUP

REF	PART NUMBER	DESCRIPTION	QTY	REMARKS
*1	263-70502-A0	STARTING MOTOR ASS'Y	1	Includes items 1 thru 21
2	263-70510-08	ARMATURE ASS'Y	1	
3	263-70550-08	THRUST WASHER KIT	1	
4	210-70534-08	PINION STOPPER SET	1	
5	255-70580-08	YOKE ASS'Y	1	
*6	263-70505-08	REAR COVER ASS'Y	1	Includes item 7
*8	255-70531-08	BRUSH HOLDER ASS'Y	1	Includes items 9 thru 11
9	228-70514-08	BRUSH (-)	2	
10	255-70551-08	BRUSH SET	1	
11	228-70516-08	BRUSH SPRING	4	
12	255-70521-08	PINION ASS'Y	1	
*13	263-70500-08	GEAR CASE ASS'Y	1	Includes items 14 and 15
16	255-70570-08	DUST COVER KIT	1	
17	243-70525-08	SHIFT LEVER KIT	1	
18	263-70515-08	MAGNETIC SWITCH ASS'Y	1	
19	207-70524-08	THROUGH BOLT	2	
20	263-70551-08	BOLT	2	
21	263-70552-08	M TERMINAL COVER	1	

FIG. 15 FUEL PUMP GROUP



PRINTED IN THE USA