

PARTS MANUAL

Models

PTV205T

PTV305

PTV305ST

Pumps

PUB-PP1193
Rev. 7/98

GROUP INDEX

Group Name	Page
PUMP - PTV205T	4
PUMP - PTV305	6
PUMP - PTV305ST	8
CRANKCASE	10
CRANKSHAFT and PISTON	12
INTAKE and EXHAUST	14
GOVERNOR, OPERATION	16
COOLING and STARTING	18
FUEL and LUBRICANT	20
MAGENETO	22
OIL SENSOR	24

Robin America, Inc.

940 Lively Blvd. • Wood Dale, IL 60191 • Phone: 630-350-8200 • Fax: 630-350-8212
e-mail: sales@robinamerica.com • www.robinamerica.com

© Copyright 1998 Robin America, Inc.

FIG. 1B PUMP - PTV305

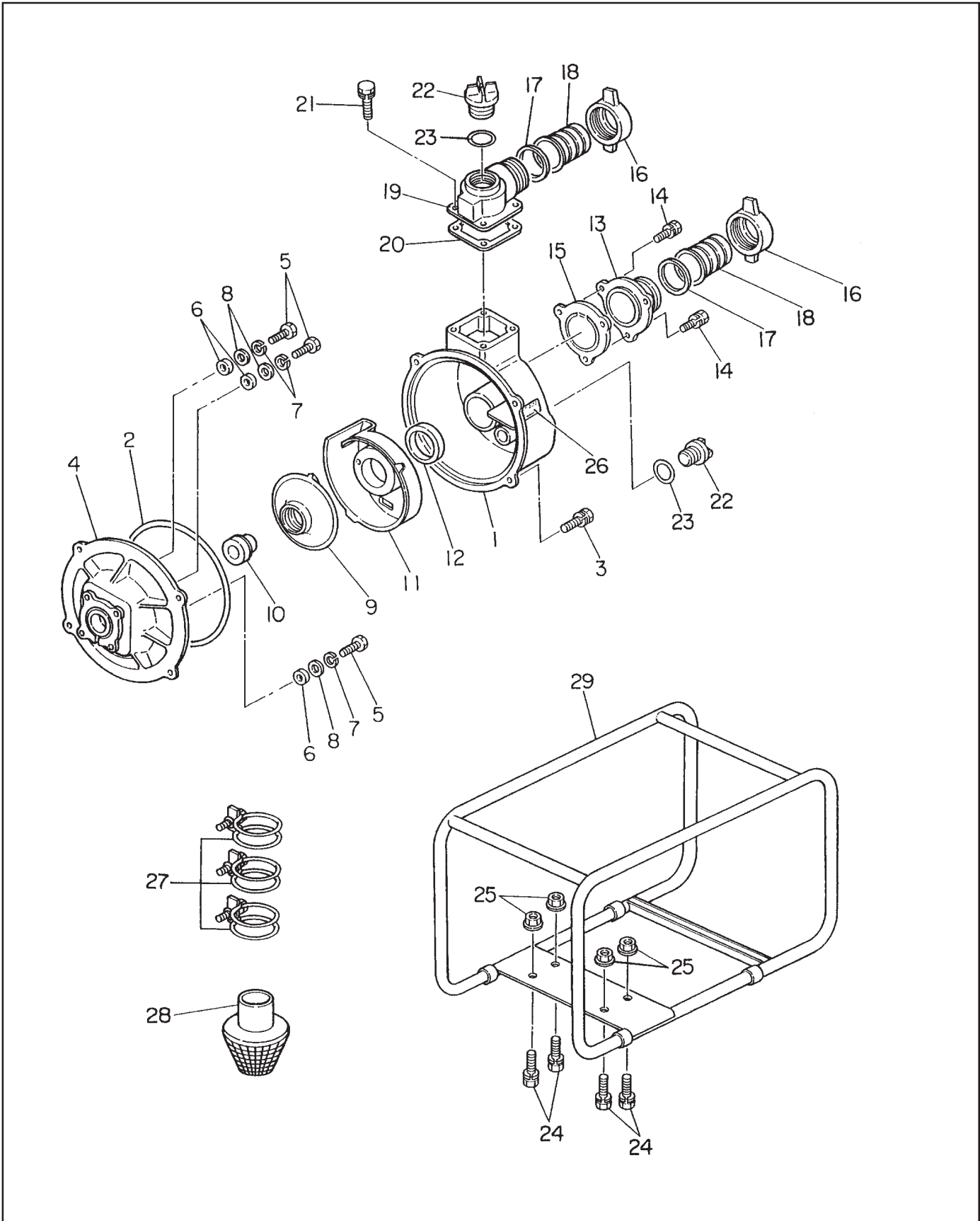


FIG. 1C PUMP - PTV305ST

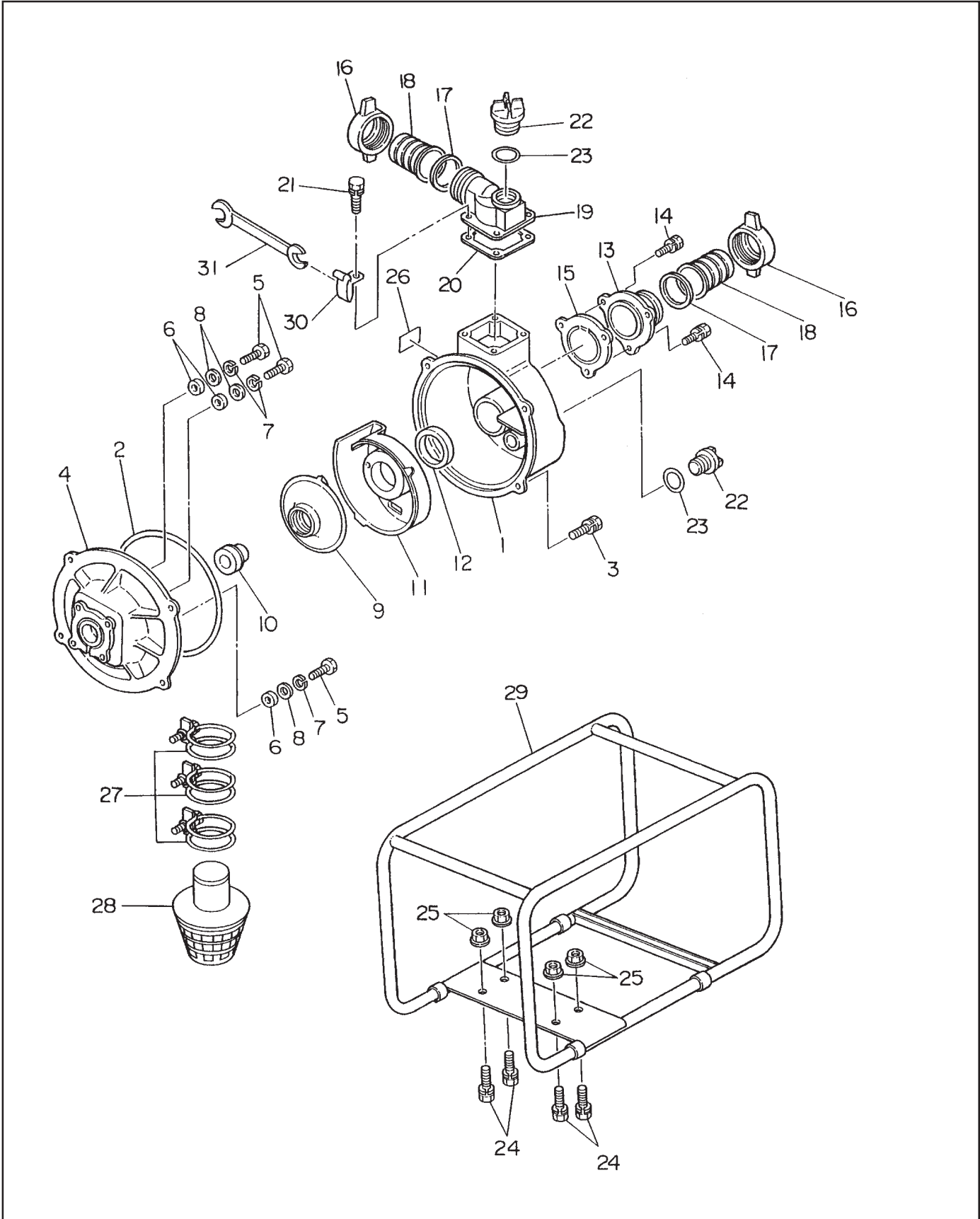


FIG. 2 CRANKCASE

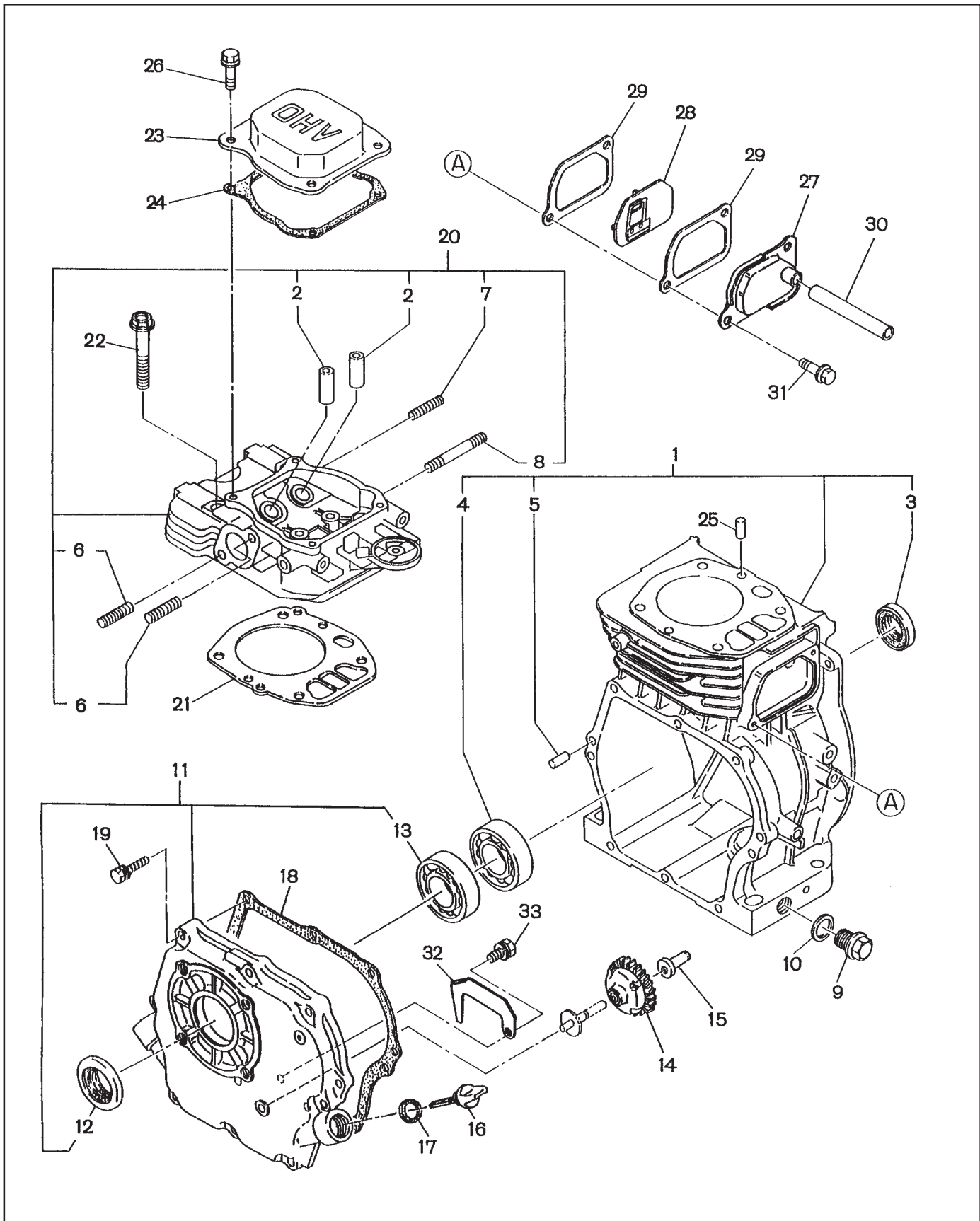


FIG. 3 CRANKSHAFT and PISTON

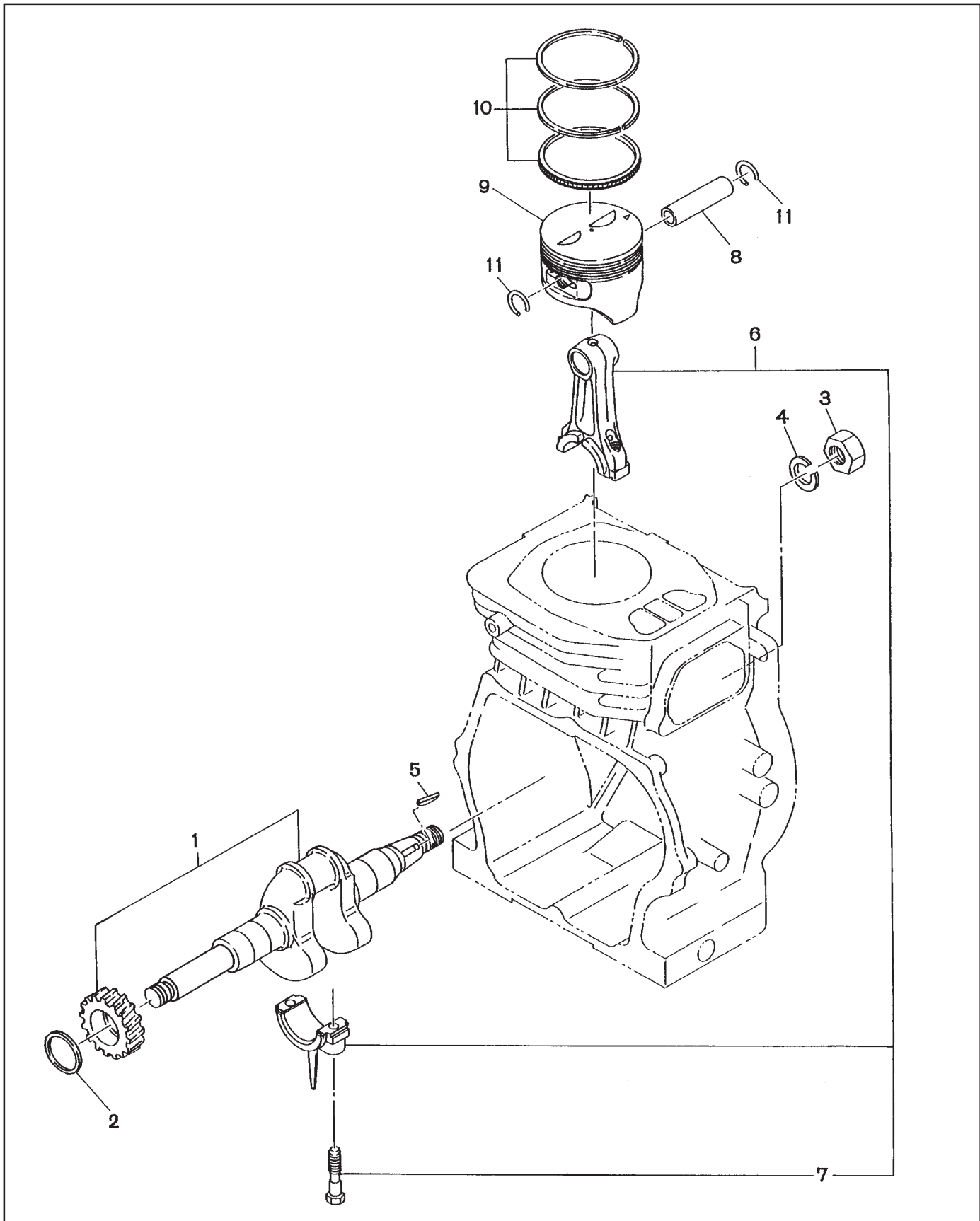


FIG. 4 INTAKE and EXHAUST

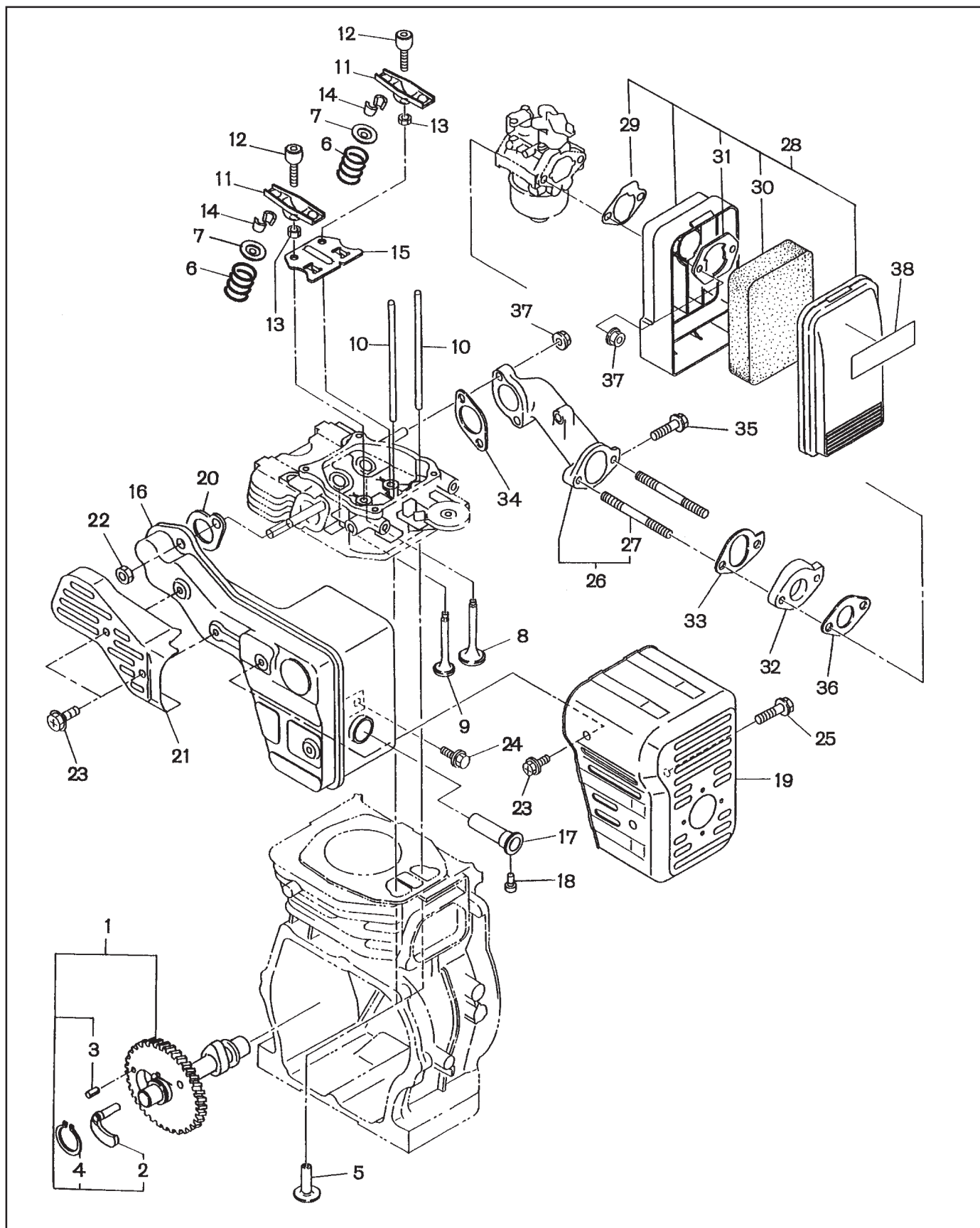


FIG. 5 GOVERNOR, OPERATION

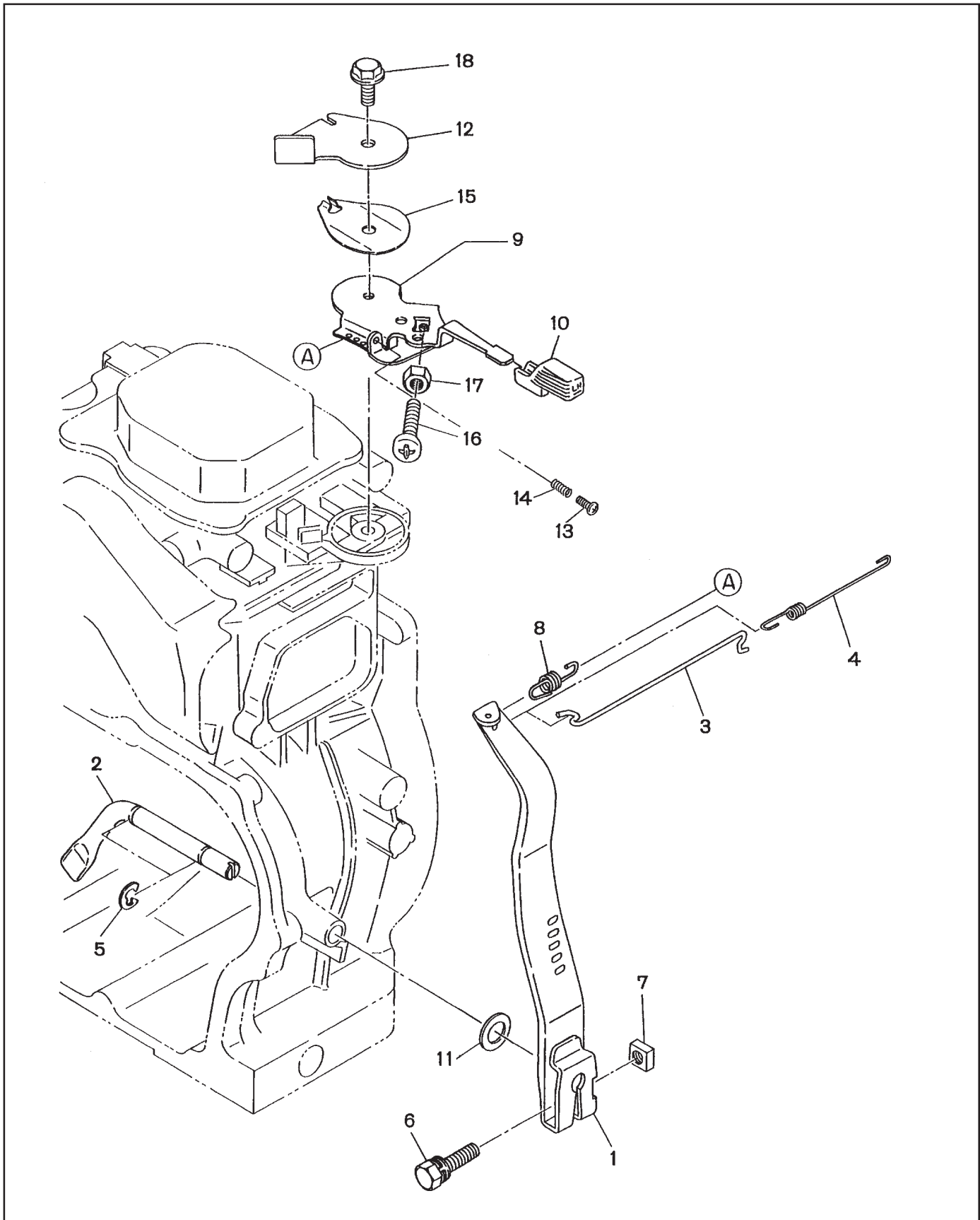


FIG. 6 COOLING and STARTING

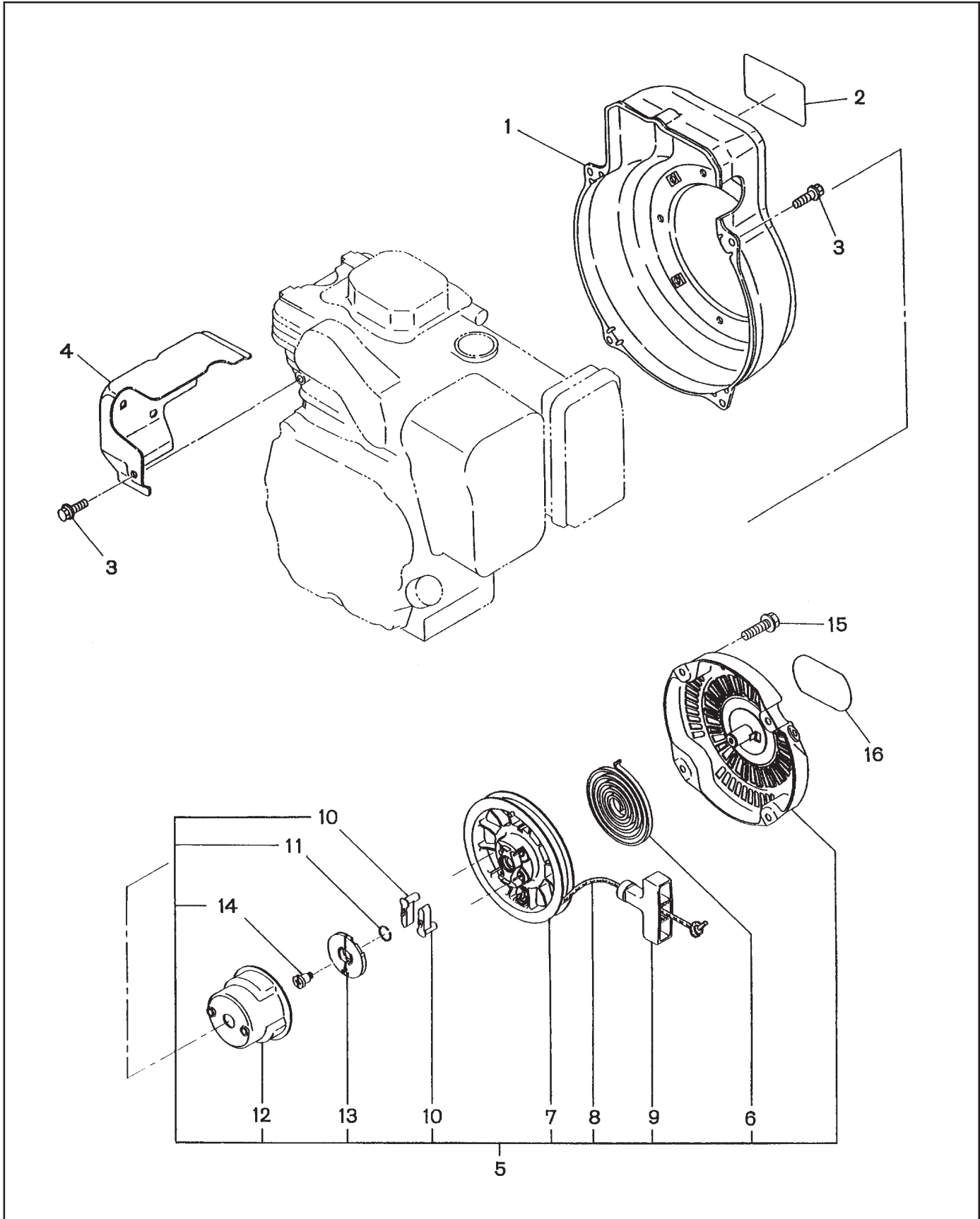


FIG. 7 FUEL and LUBRICANT

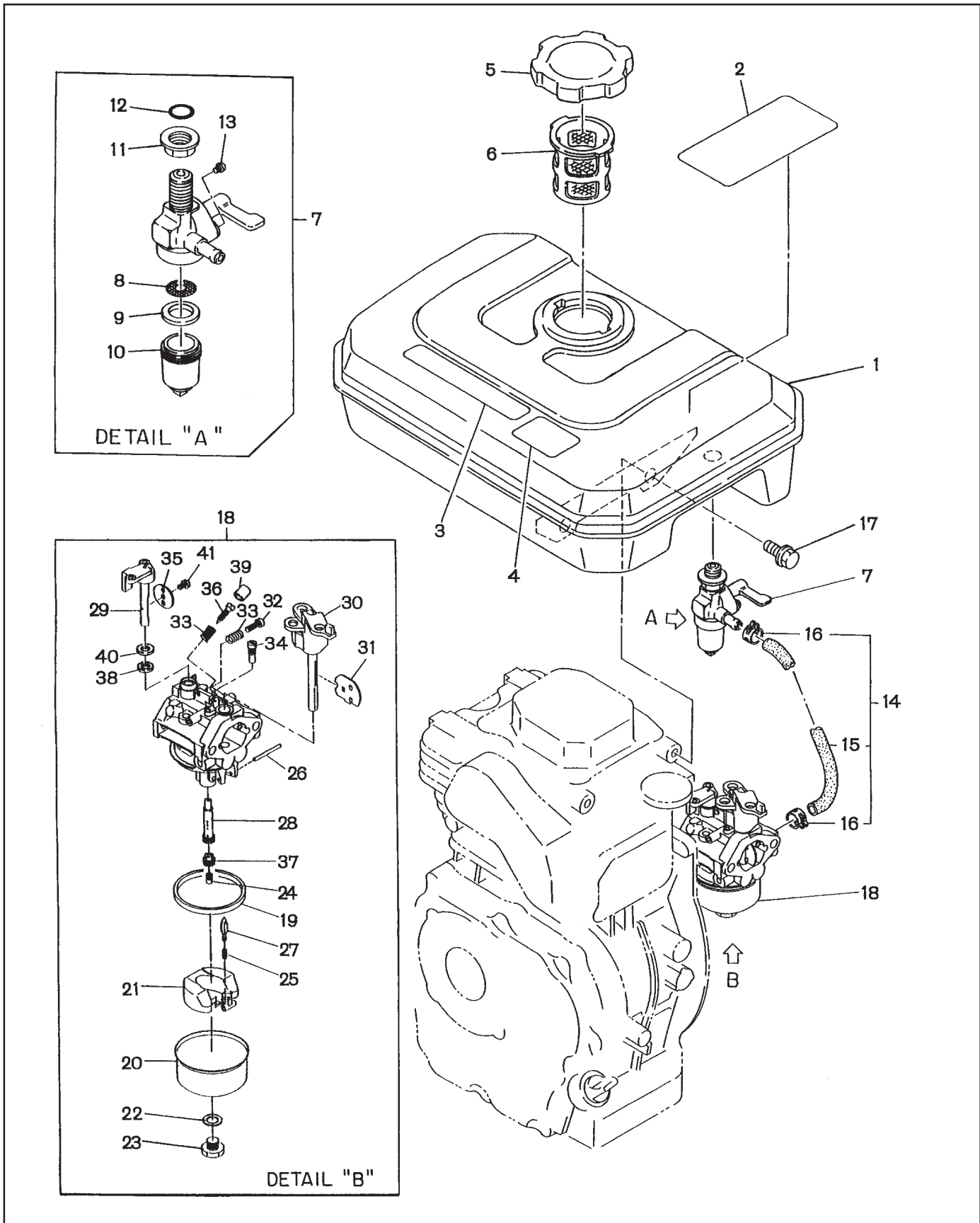


FIG. 7 FUEL and LUBRICANT

REF	PART NUMBER	DESCRIPTION	QTY	REMARKS
1	253-60101-21	FUEL TANK, compl.	1	
2	073-20039-00	LABEL(warnig)	1	
3	253-95201-13	LABEL(emission control)	1	
4	073-20045-20	LABEL(oil caution)	1	
5	043-04300-15	FUEL TANK CAP, compl.	1	
6	064-13600-10	FUEL FILTER	1	
*7	064-20084-00	FUEL STRAINER ASS'Y	1	Includes items 8 thru 13
8	064-20042-20	FILTER	1	
9	064-20064-10	PACKING	1	
10	064-20078-10	CUP	1	
11	064-20084-10	NUT	1	
12	064-20084-20	O RING	1	
13	064-20047-90	SCREW,PANHEAD	1	
*14	269-62601-01	FUEL PIPE, compl.	1	Includes items 15 and 16
15	269-68001-03	RUBBER PIPE	1	
16	056-11100-20	HOSE CLAMP	2	
17	011-00600-30	FLANGE BOLT	4	
*18	253-62450-00	CARBURETOR ASS'Y	1	Includes items 19 thru 41
19	236-62540-08	PACKING (chamber)	1	
20	236-62551-08	FLOAT CHAMBER	1	
21	236-62505-08	FLOAT	1	
22	236-62450-08	PACKING	1	
23	236-62451-08	BOLT	1	
24	253-62402-08	MAIN JET (#72.5)	1	
25	236-62445-08	SPRING	1	
26	236-62510-08	FLOAT PIN	1	
27	161-62352-08	NEEDLE VALVE	1	
28	238-62440-08	MAIN NOZZLE	1	
29	253-62532-08	SHAFT ASS'Y (throttle)	1	
30	253-62570-08	CHOKE LEVER	1	
31	253-62525-08	VALVE (choke)	1	
32	246-62435-08	ADJUST SCREW	1	
33	209-62445-08	SPRING	2	
34	253-62420-08	PILOT JET (#52.5)	1	
35	220-62536-08	THROTTLE VALVE (#160)	1	
36	246-62436-08	ADJUSTER	1	
37	235-62425-08	GUIDE HOLDER	1	
38	106-62392-08	SEAL	2	
39	246-62551-08	CAP	1	
40	253-62355-08	RING	1	
41	253-62352-08	SCREW	1	

FIG. 8 MAGNETO

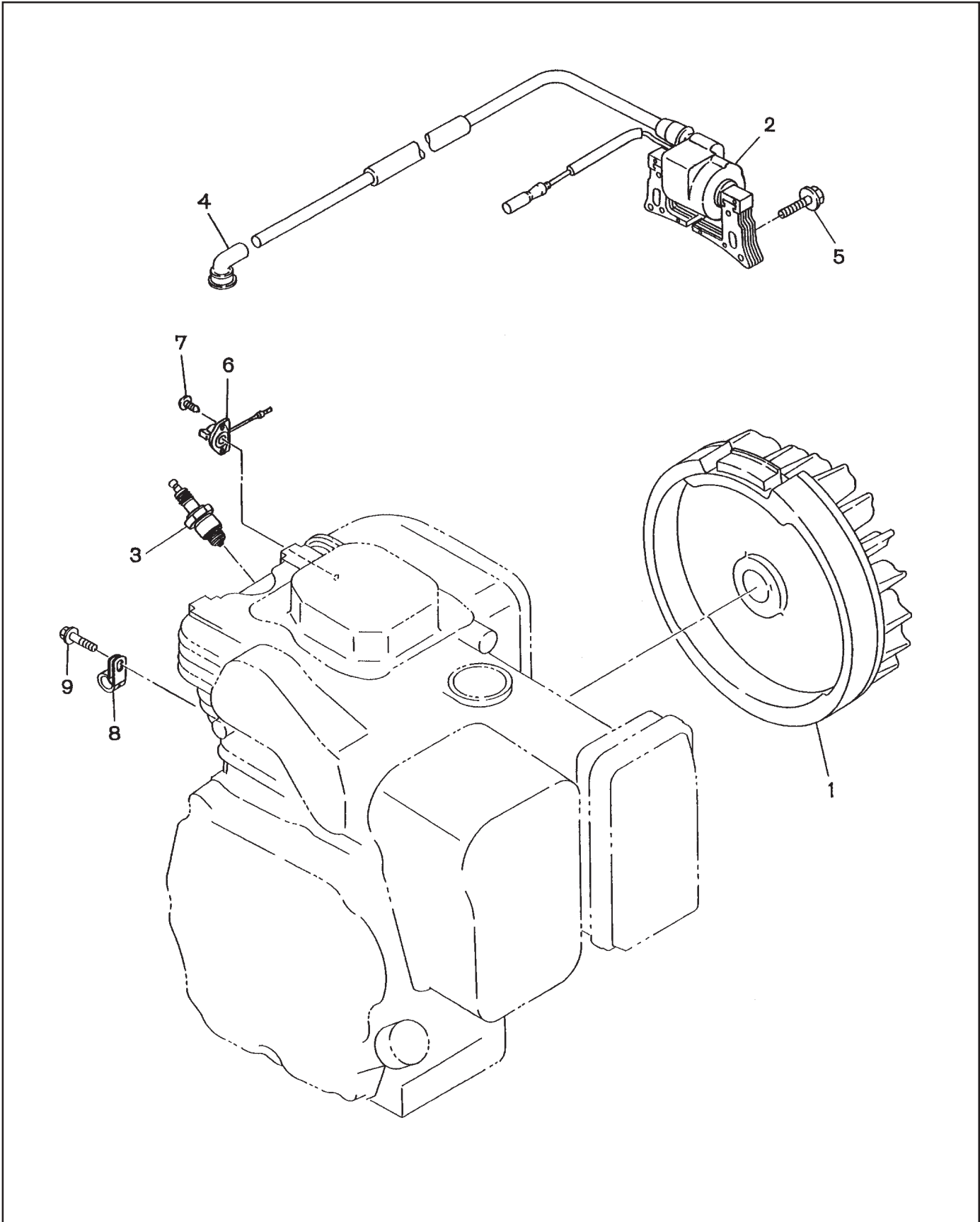
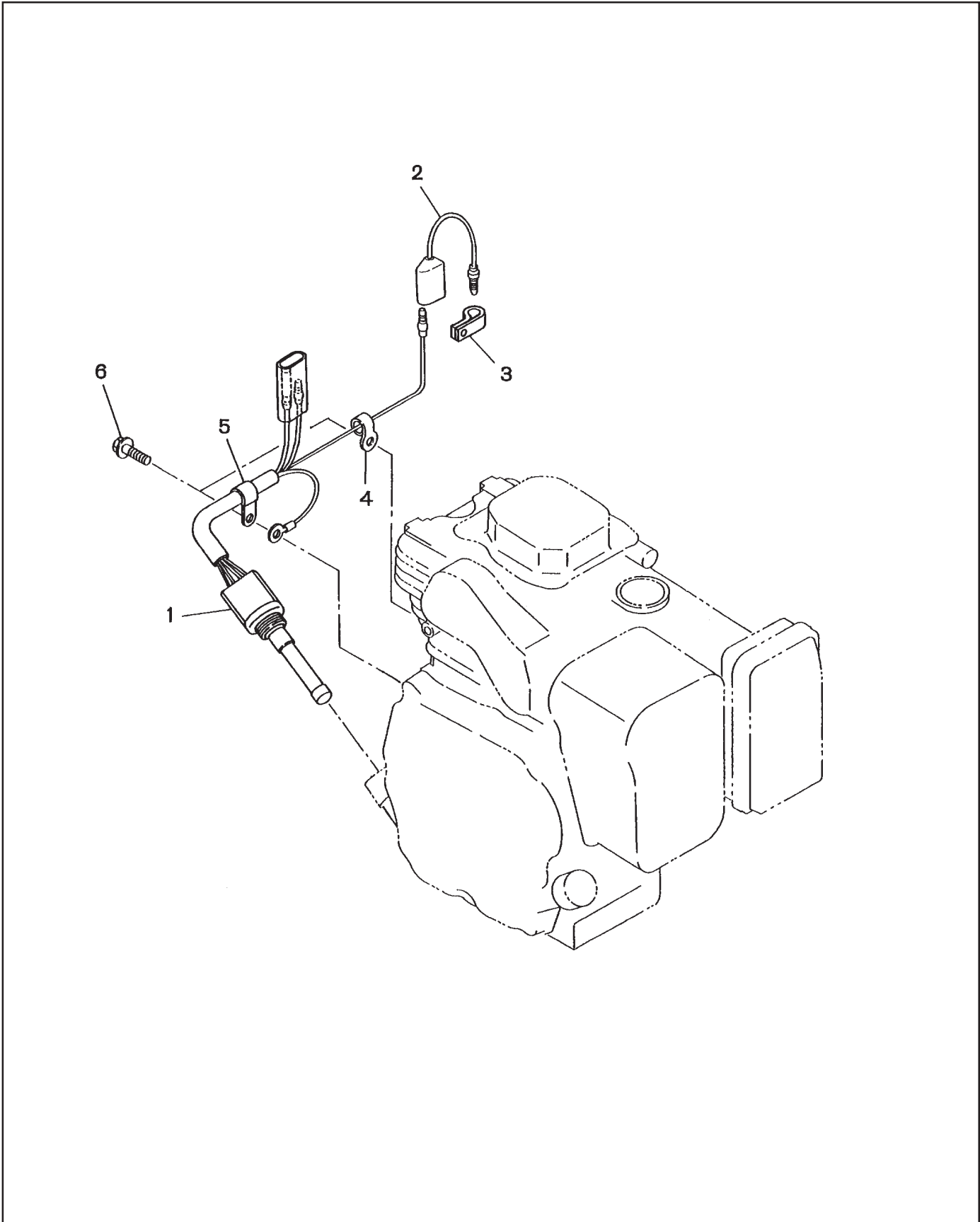


FIG. 9 OIL SENSOR



NOTES

NOTES

A large, empty rectangular box with a thin black border, occupying most of the page. It is intended for handwritten or typed notes.

PRINTED IN THE USA