

PARTS MANUAL

Models

**PTV305T, PTV405
Pumps**

PUB-PP1194
Rev. 7/98

GROUP INDEX

Group Name	Page
PUMP - PTV305T	4
PUMP - PTV405	6
CRANKCASE	8
CRANKSHAFT and PISTON	10
INTAKE and EXHAUST	12
GOVERNOR, OPERATION	14
COOLING and STARTING	16
FUEL and LUBRICANT	18
MAGENETO	20
OIL SENSOR	22

Robin America, Inc.

940 Lively Blvd. • Wood Dale, IL 60191 • Phone: 630-350-8200 • Fax: 630-350-8212
e-mail: sales@robinamerica.com • www.robinamerica.com

© Copyright 1998 Robin America, Inc.

FIG. 1B PUMP - PTV405

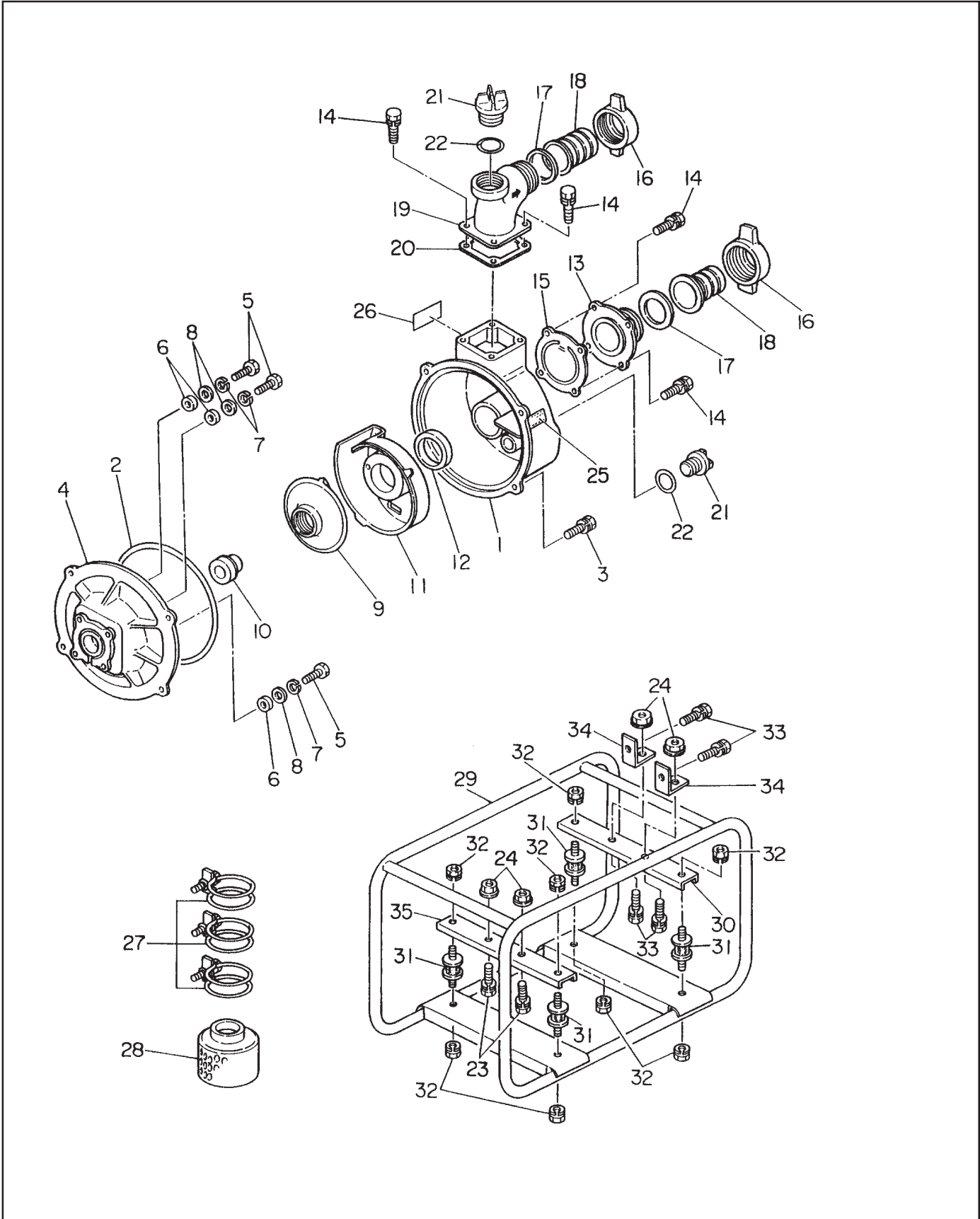


FIG. 2 CRANKCASE

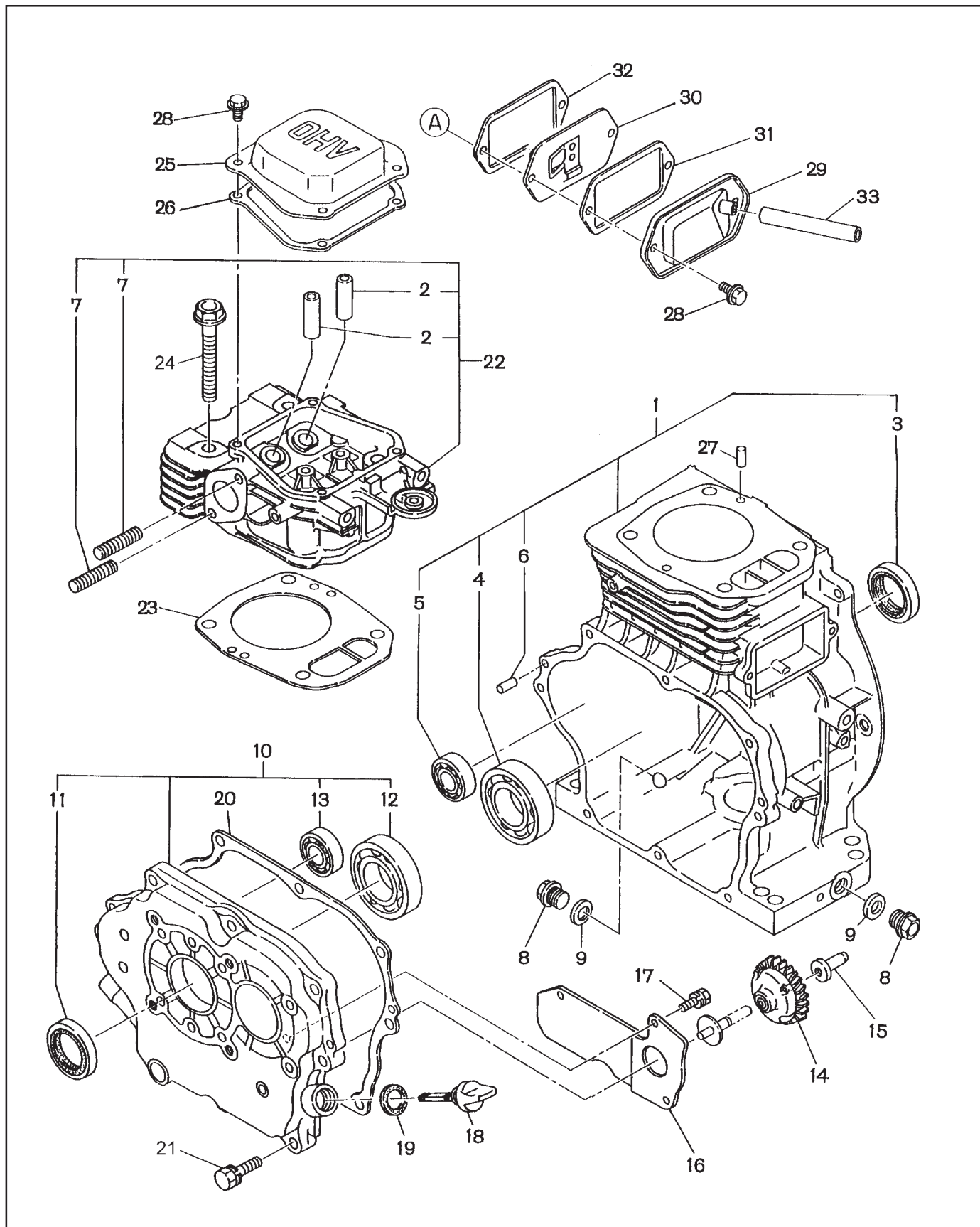


FIG. 3 CRANKSHAFT and PISTON

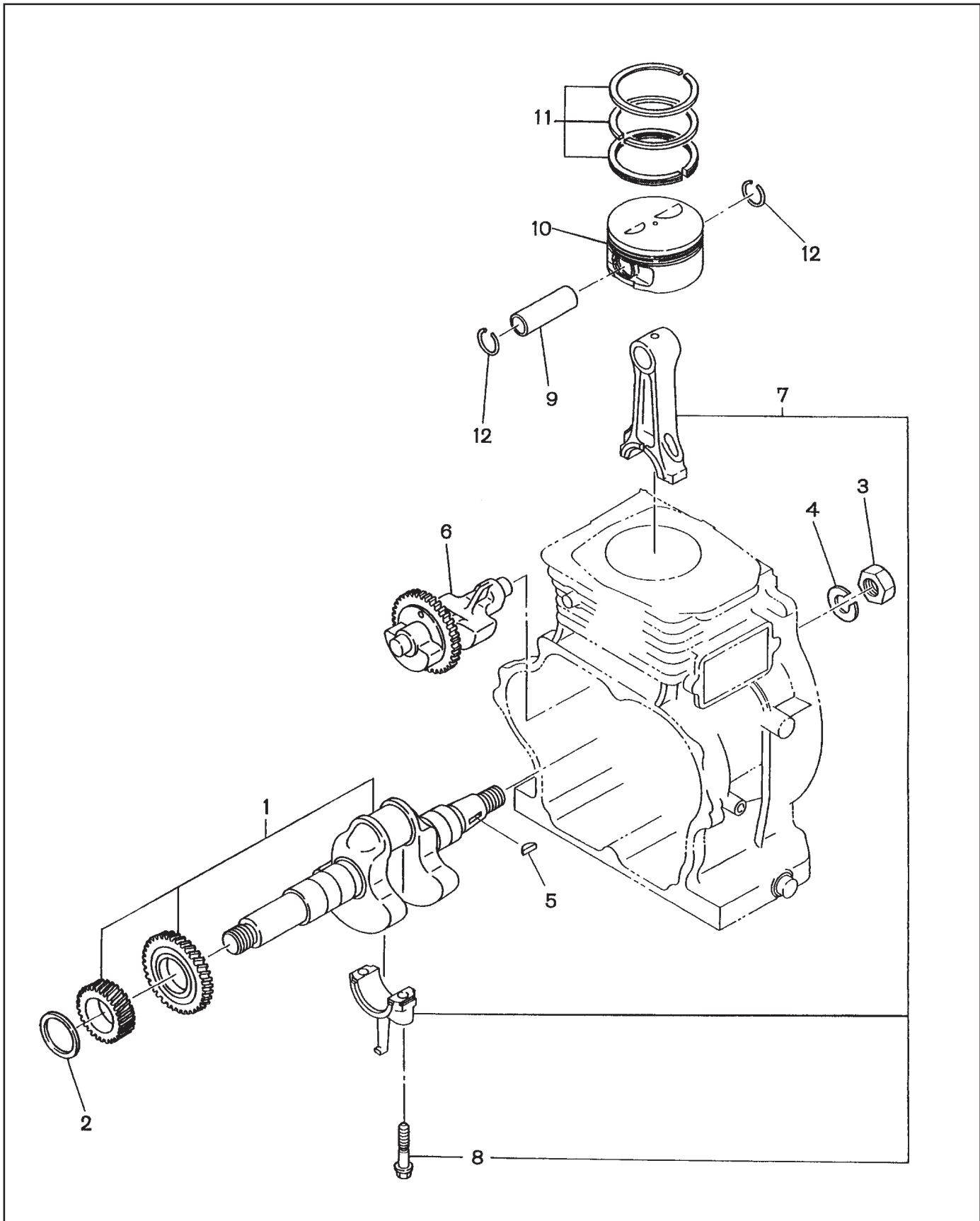


FIG. 4 INTAKE and EXHAUST

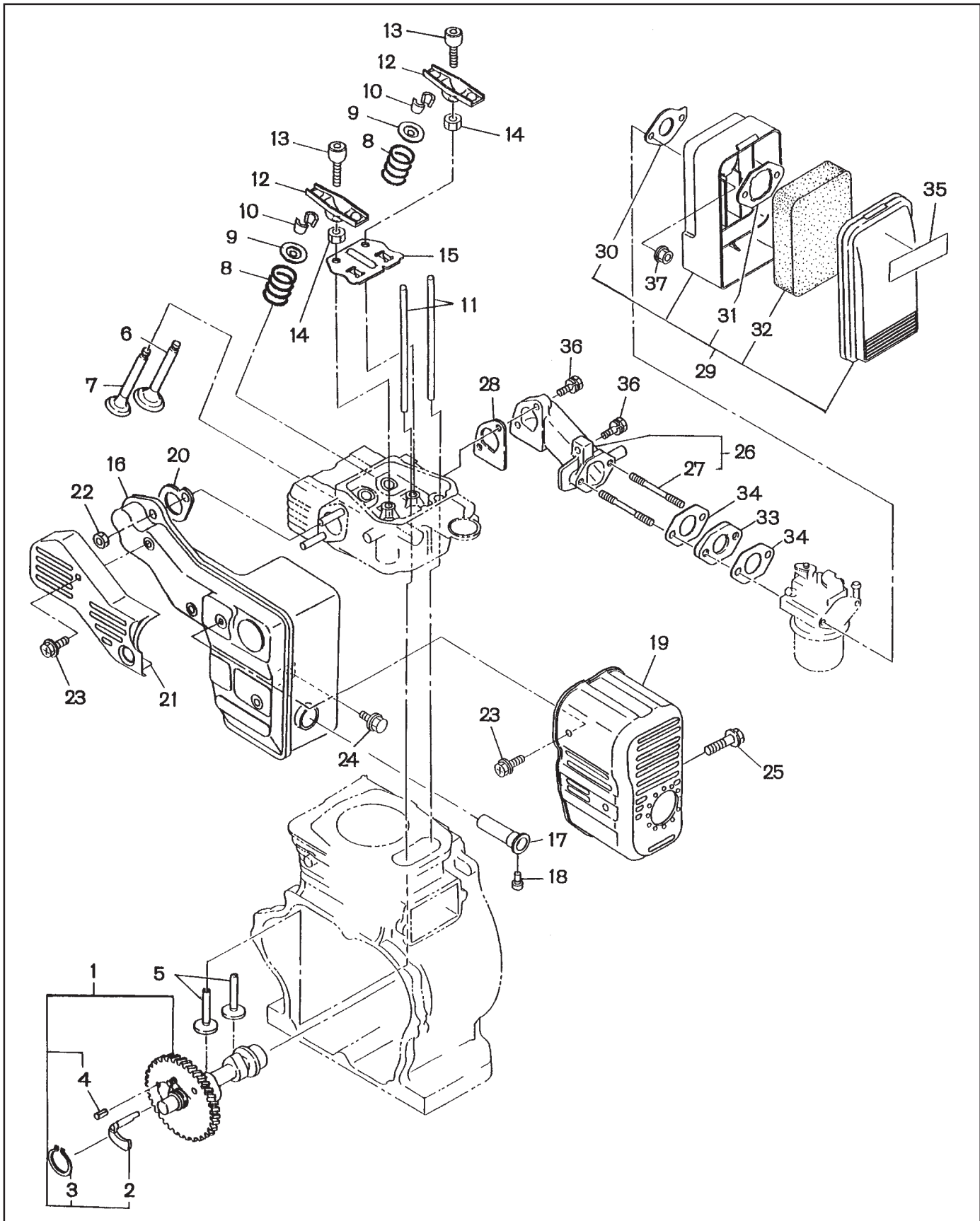


FIG. 5 GOVERNOR, OPERATION

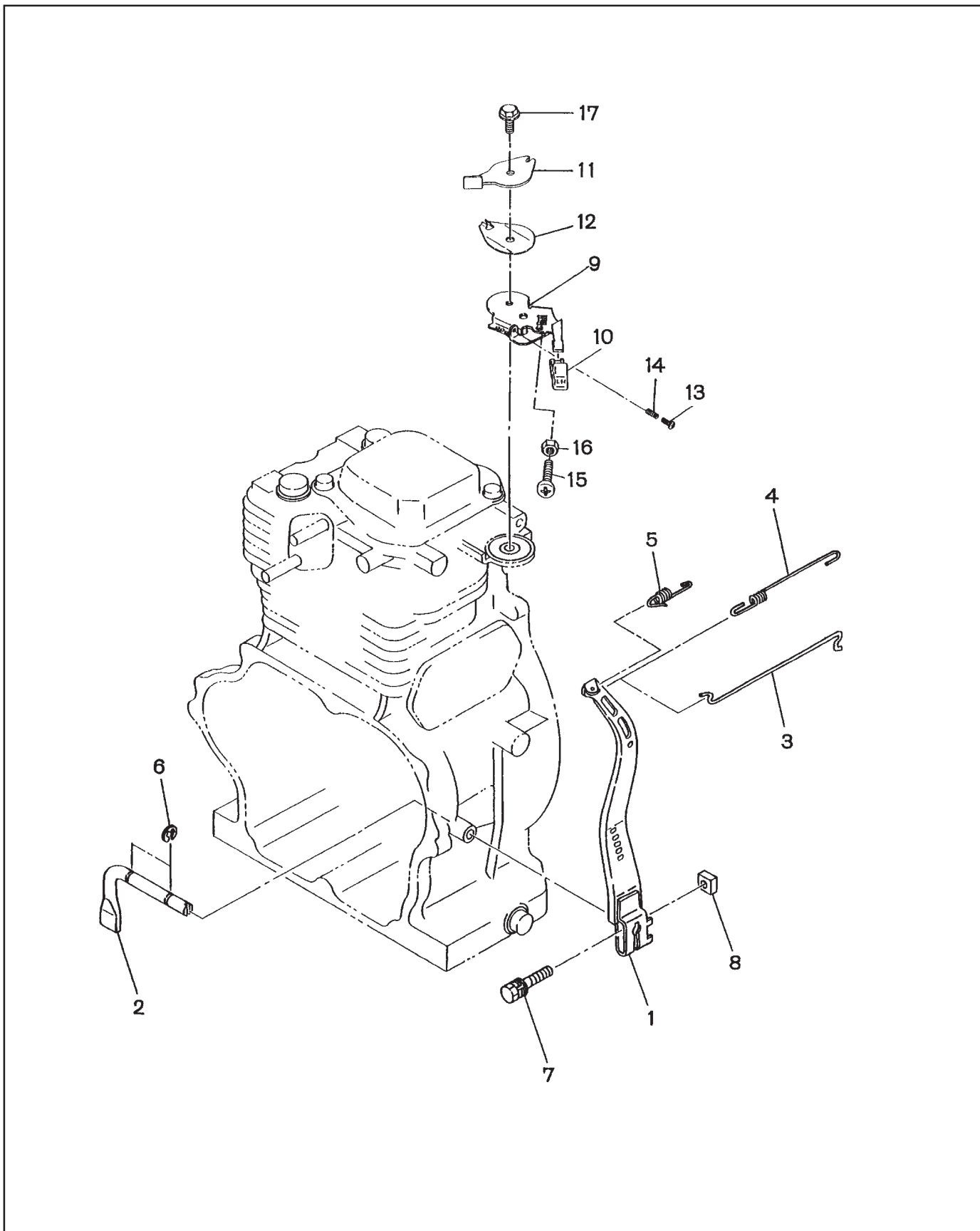


FIG. 6 COOLING and STARTING

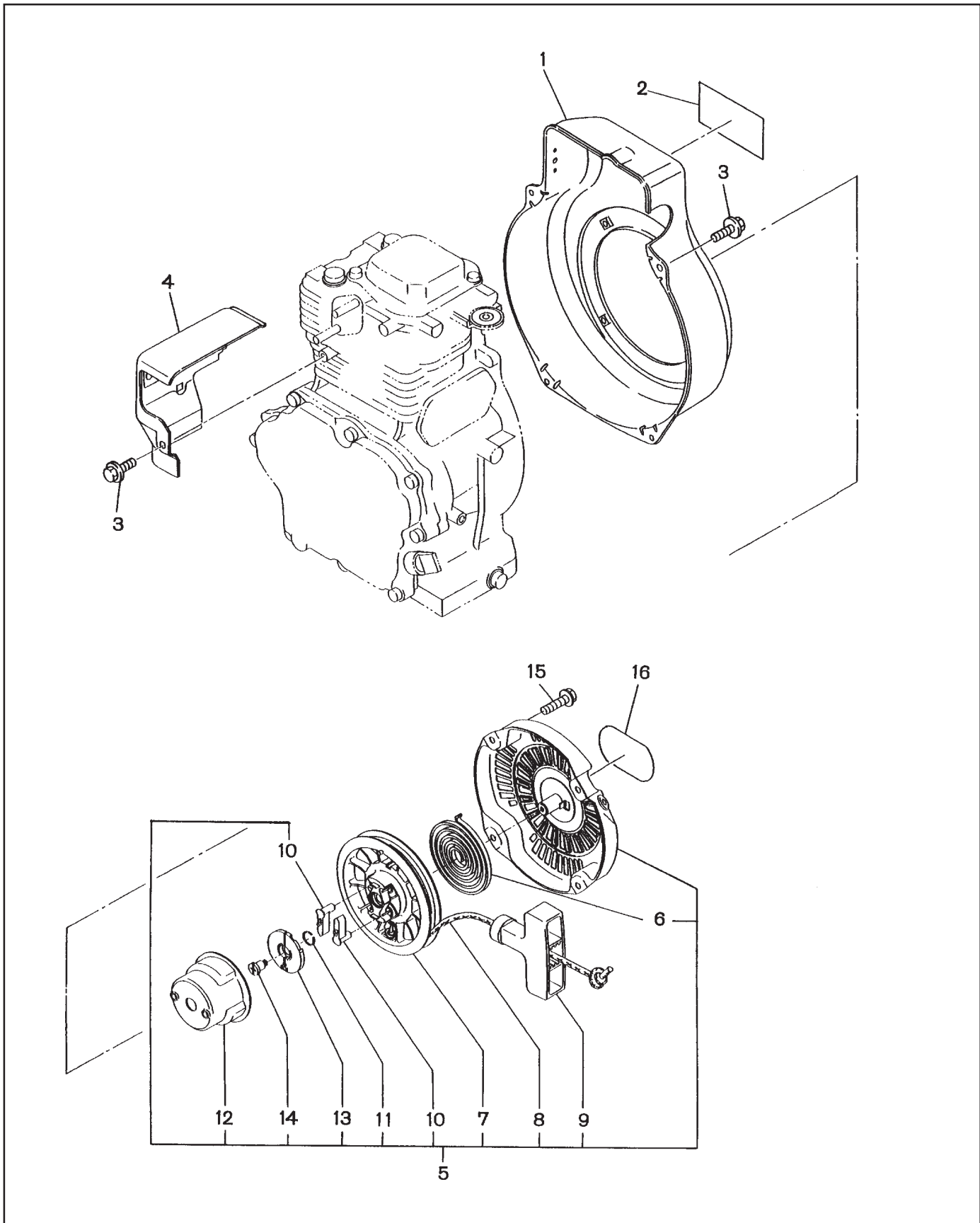


FIG. 7 FUEL and LUBRICANT

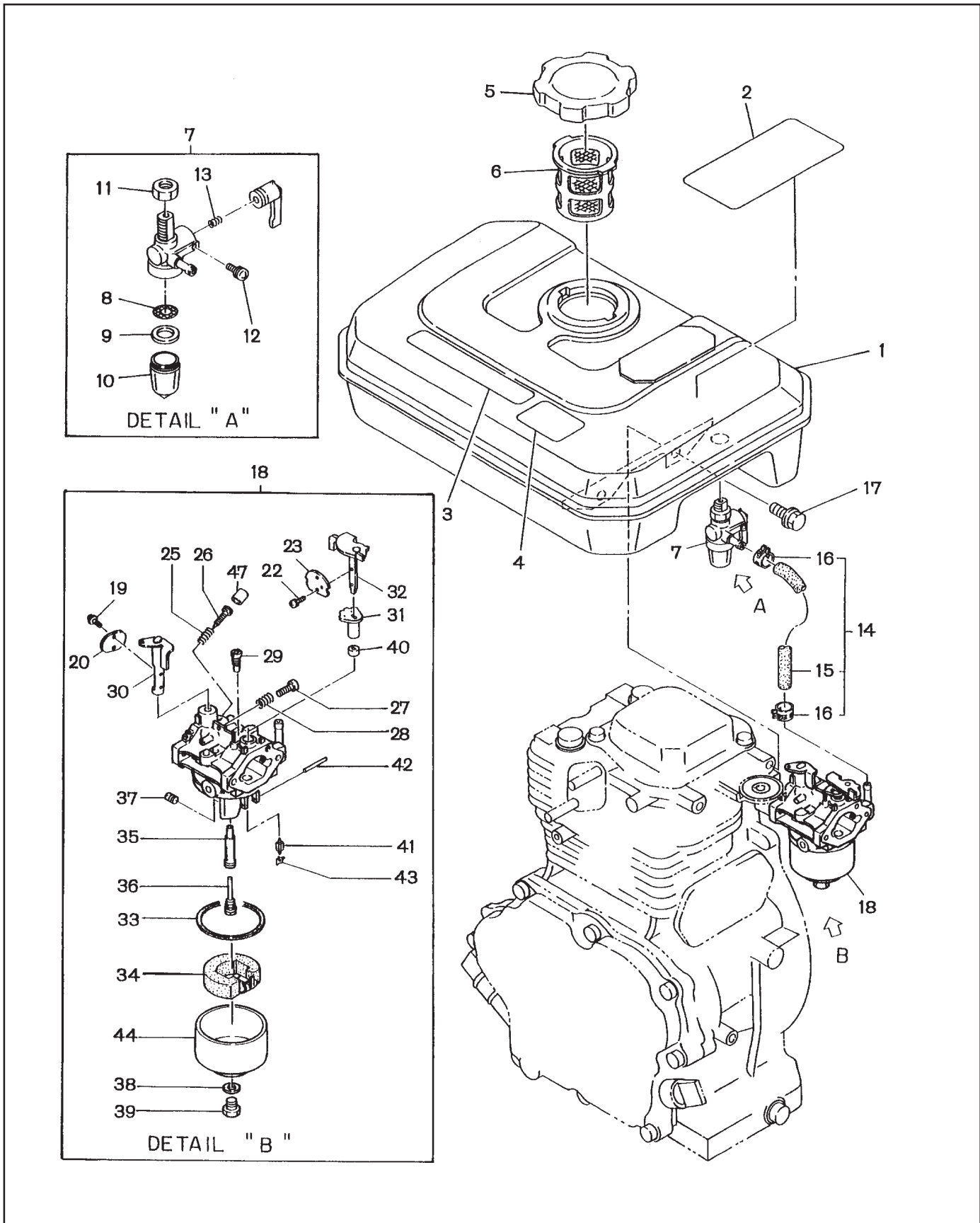


FIG. 7 FUEL and LUBRICANT

REF	PART NUMBER	DESCRIPTION	QTY	REMARKS
1	254-60101-11	FUEL TANK, compl.	1	
2	073-20039-00	LABEL(warning)	1	
3	254-95201-13	LABEL(emission control)	1	
4	073-20045-20	LABEL(oil caution)	1	
5	043-04300-15	FUEL TANK CAP, compl.	1	
6	064-13600-10	FUEL FILTER	1	
*7	064-20086-00	FUEL STRAINER ASS'Y	1	Includes items 8 thru 13
8	064-20041-10	FILTER	1	
9	064-20014-30	PACKING	1	
10	064-20014-10	CUP	1	
11	064-20023-60	LOCK NUT	1	
12	064-20027-90	LOCK BOLT	1	
13	064-20032-30	SPRING	1	
*14	234-62601-01	FUEL PIPE, compl.	1	Includes items 15 and 16
15	085-10600-00	RUBBER PIPE (f6xf12x75mm)	1	
16	056-11100-20	HOSE CLAMP	2	
17	001-13082-00	BOLT and WASHER ASS'Y	4	
*18	254-62560-00	CARBURETOR ASS'Y	1	Includes items 19 thru 47
19	209-62351-08	SCREW (pan head)	2	
20	239-62535-08	THROTTLE VALVE(#200)	1	
22	237-62451-08	SCREW (pan head)	2	
23	254-62525-08	VALVE (choke)	1	
25	230-62448-08	SPRING	1	
26	246-62436-08	PILOT SCREW	1	
27	246-62435-08	ADJUST SCREW	1	
28	230-62446-08	SPRING	1	
29	254-62420-08	PILOT JET(#45)	1	
30	254-62530-08	SHAFT ASS'Y (throttle)	1	
31	234-62550-08	RING	1	
32	234-62520-08	CHOKE LEVER	1	
33	206-62540-08	PACKING (chamber)	1	
34	234-62506-08	FLOAT ASS'Y	1	
35	254-62440-08	MAIN NOZZLE	1	
36	246-62425-08	PIPE	1	
37	254-62402-08	MAIN JET(#91.3)	1	
38	207-62345-08	PACKING	1	
39	224-62544-08	BOLT	1	
40	226-62550-08	RING	1	
41	224-62312-08	NEEDLE VALVE	1	
42	214-62515-08	FLOAT PIN	1	
43	226-62701-18	CLIP	1	
44	224-62552-08	FLOAT CHAMBER BODY	1	
47	246-62551-08	CAP	1	

FIG. 8 MAGNETO

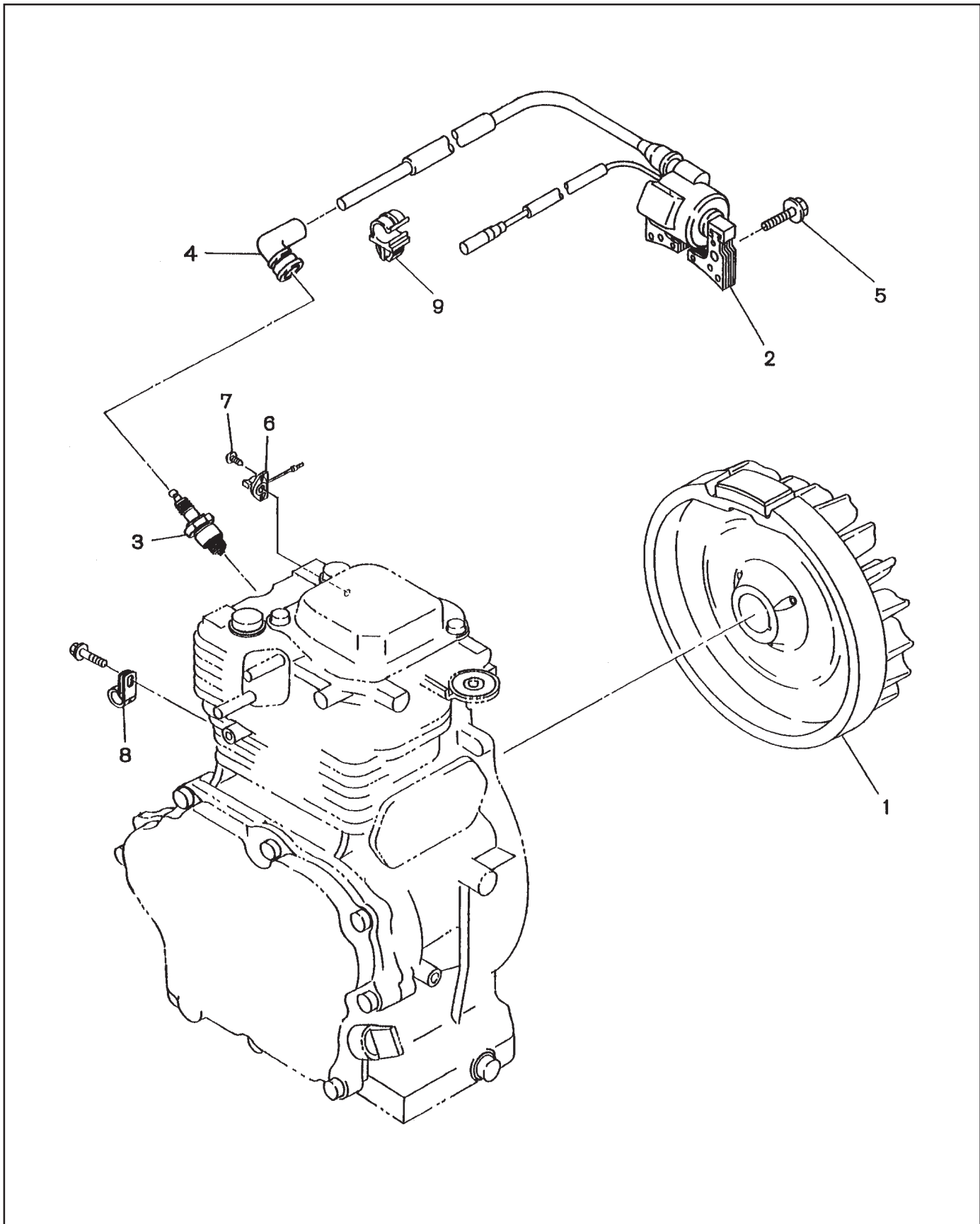
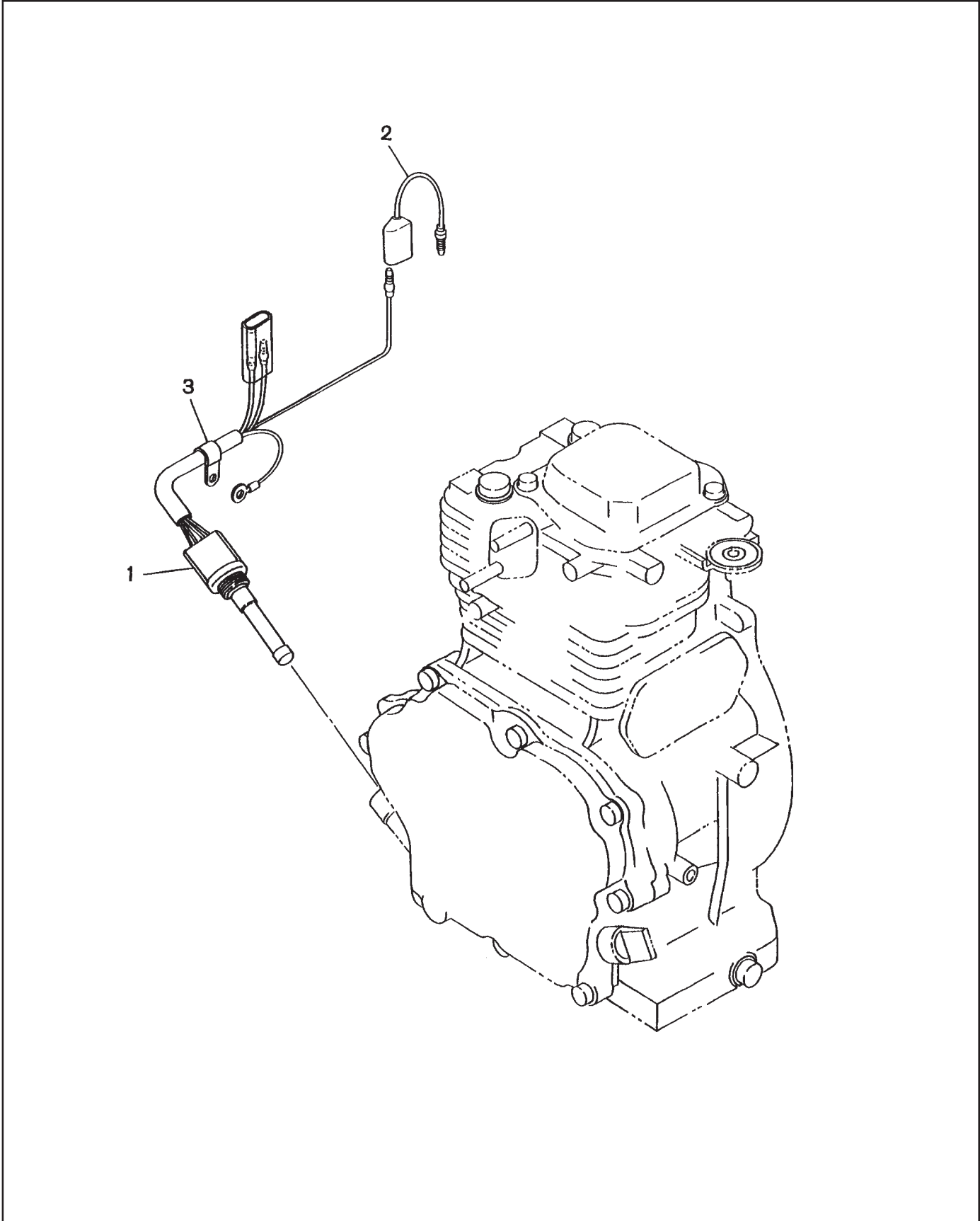


FIG. 9 OIL SENSOR



PRINTED IN THE USA