

# **PARTS MANUAL**

**Model**

**PTV405T  
Pump**

PUB-PP1195  
Rev. 12/99



# GROUP INDEX

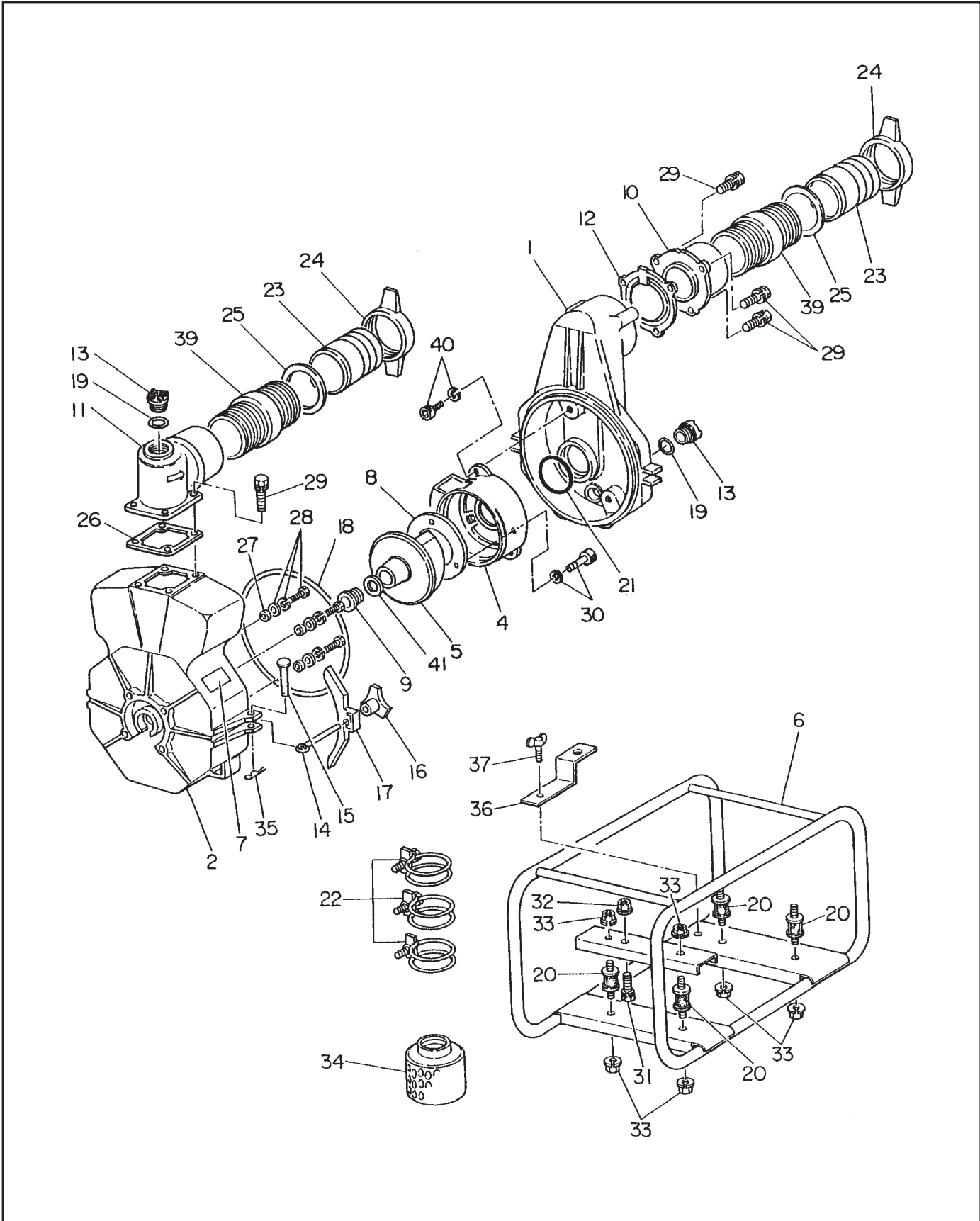
Group Name	Page
PUMP - PTV405T .....	4
CRANKCASE .....	6
CRANKSHAFT and PISTON .....	8
INTAKE and EXHAUST .....	10
GOVERNOR, OPERATION .....	12
COOLING and STARTING .....	14
FUEL and LUBRICANT .....	16
MAGENETO .....	20
OIL SENSOR.....	22

## **Robin America, Inc.**

940 Lively Blvd. • Wood Dale, IL 60191 • Phone: 630-350-8200 • Fax: 630-350-8212  
e-mail: [sales@robinamerica.com](mailto:sales@robinamerica.com) • [www.robinamerica.com](http://www.robinamerica.com)

© Copyright 1999 Robin America, Inc.

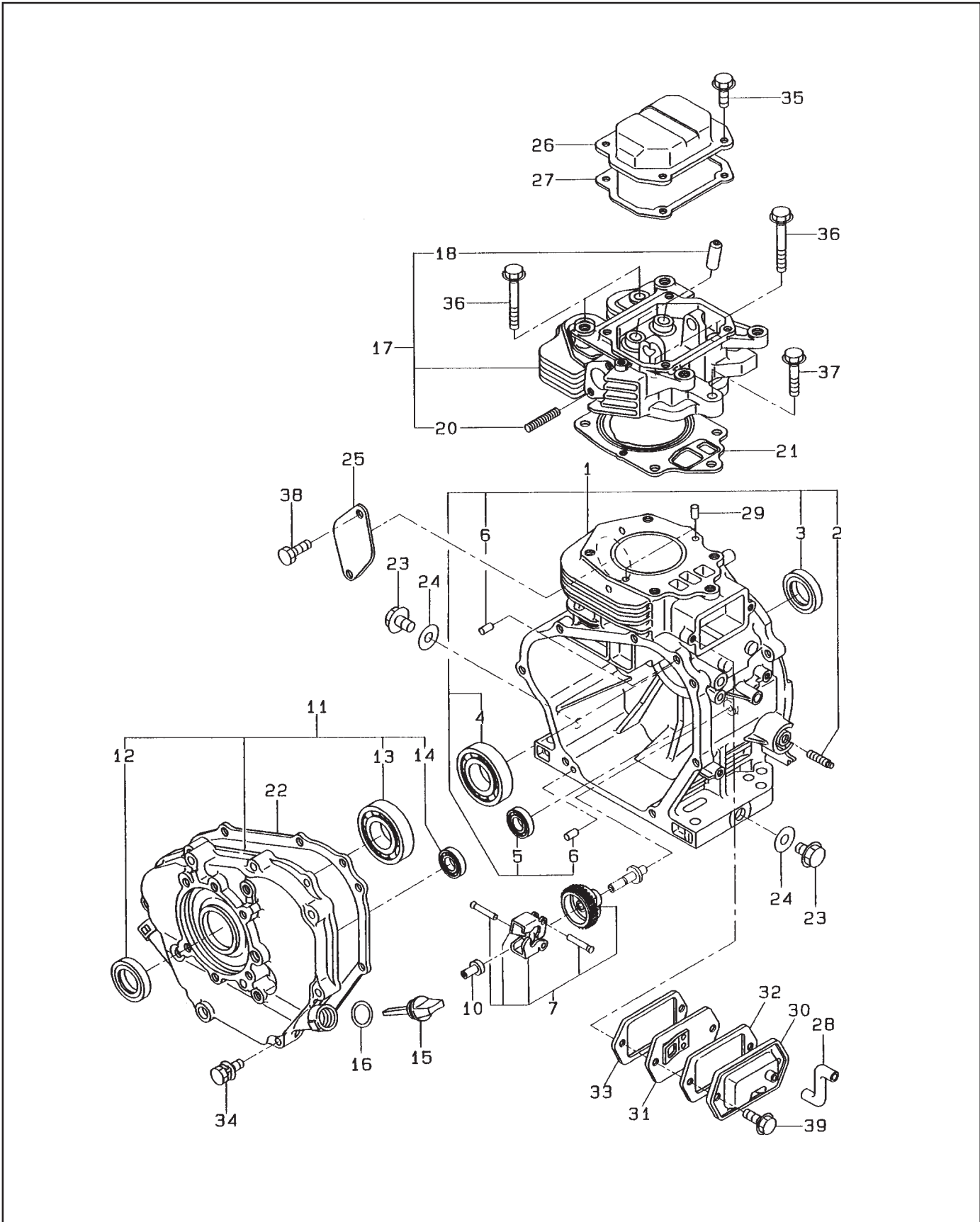
FIG. 1 PUMP - PTV405T



**FIG. 1 PUMP - PTV405T**

REF	PART NUMBER	DESCRIPTION	QTY	REMARKS
1	481-00000-74	CASING	1	
2	480-10210-02	CASING COVER	1	
4	481-00000-75	INNER CASING	1	
5	480-10210-04	IMPELLER	1	
6	481-00001-35	FRAME	1	
7	482-00190-03	LABEL, pump name	1	
8	480-10210-07	LINER	1	
9	480-08210-08	MECHANICAL SEAL	1	
10	481-00000-77	SUCTION FLANGE	1	
11	481-00000-78	DELIVERY FLANGE	1	
12	481-00000-79	CHECK VALVE	1	
13	480-08210-12	PLUG	2	
14	480-08210-13	COVER BOLT	2	
15	480-08210-14	RIVET	2	
16	480-08210-15	KNOB	2	
17	480-08210-16	CASING COVER HOLDER	2	
18	480-08210-17	PACKING, casing	1	
19	480-08210-18	"O" RING	2	
20	480-08210-19	CUSHION RUBBER	4	
21	480-10210-20	"O" RING, inner casing	1	
22	480-10010-28	HOSE BAND	3	
23	480-10010-18	NIPPLE (AL)	2	
24	481-00001-36	COUPLING HANDLE (AL NPT)	2	
25	480-10010-17	PACKING, nipple	2	
26	480-10010-20	PACKING, delivery flange	1	
27	480-10210-26	SEAL PACKING	4	
28	480-10210-27	BOLT and WASHER ASS'Y	4	
29	001-14103-00	BOLT and WASHER ASS'Y	7	
30	480-10210-29	SOCKET BOLT (M6x20)	3	
31	001-14104-50	BOLT and WASHER ASS'Y (M10x50)	2	
32	002-38100-00	FLANGE NUT (M10)		
33	480-10010-24	NUT and WASHER ASS'Y (M8)	6	
34	480-10210-33	STRAINER	1	
35	480-08210-34	SPRING PIN	2	
36	480-05210-35	SUPPORT	1	
37	480-05210-36	WING BOLT (M6x15)	1	
39	481-00000-82	NIPPLE (NPTxNPT)	2	
40	480-08210-39	SOCKET BOLT (M8x30)	3	
41	480-10210-40	SHIM (Ø 22.2 x 0.3mm)	1	select one piece only
41	480-10210-41	SHIM (Ø 22.2 x 0.6mm)	1	select one piece only
41	480-10210-42	SHIM (Ø 22.2 x 1.6mm)	1	select one piece only
41	480-10210-43	SHIM (Ø 22.2 x 2.3mm)	1	select one piece only

FIG. 2 CRANKCASE - PTV405T



**FIG. 2 CRANKCASE - PTV405T**

REF	PART NUMBER	DESCRIPTION	QTY	REMARKS
*1	247-10101-41	CRANKCASE, compl.	1	Includes items 2 thru 6
2	010-50801-20	STUD	1	
3	044-03500-90	OIL SEAL (Ø 35xØ 48 x 8mm)	1	
4	060-03500-10	BALL BEARING (BB6207C3)	1	
5	060-01500-10	BALL BEARING (BB6202C3)	1	
6	031-00600-20	DOWEL PIN	2	
*7	246-45001-01	GOVERNOR GEAR, compl.	1	
10	205-41901-03	GOVERNOR SLEEVE	1	
*11	246-11002-31	MAIN BEARING COVER, compl.	1	Includes items 12 thru 14
12	044-03500-90	OIL SEAL (Ø 35xØ 48 x 8mm)	1	
13	060-03500-10	BALL BEARING (BB6207C3)	1	
14	060-01500-10	BALL BEARING (BB6202C3)	1	
15	224-63601-03	OIL GAUGE	1	
16	021-32000-10	GASKET	1	
*17	247-13001-31	CYLINDER HEAD, compl.	1	Includes items 18 and 20
18	246-14202-03	VALVE GUIDE (over size)	2	
20	010-50804-30	STUD	2	
21	247-15001-13	GASKET (head)	1	
22	246-15101-03	GASKET (bearing cover)	1	
23	040-11400-30	PLUG	2	
24	021-11400-20	GASKET	2	
25	224-17101-03	BLIND COVER	1	
26	246-15501-01	ROCKER COVER, compl.	1	
27	246-16002-13	GASKET (rocker cover)	1	
28	246-10801-03	RUBBER PIPE (Ø 11xØ 8)	1	
29	031-00600-20	DOWEL PIN	2	
30	246-14301-01	BREATHER COVER, compl.	1	
31	246-14401-01	BREATHER PLATE, compl.	1	
32	246-16006-03	GASKET (breather cover)	1	
33	246-16007-13	GASKET (breather plate)	1	
34	001-13084-00	BOLT and WASHER ASS'Y	7	
35	011-00600-20	FLANGE BOLT	4	
36	011-01000-40	FLANGE BOLT	4	
37	011-01000-20	FLANGE BOLT	1	
38	001-65081-20	BOLT	2	
39	011-00600-30	FLANGE BOLT	2	
*	247-99001-07	GASKET SET (STD.)	1	Includes items with star prefix

FIG. 3 CRANKSHAFT and PISTON - PTV405T

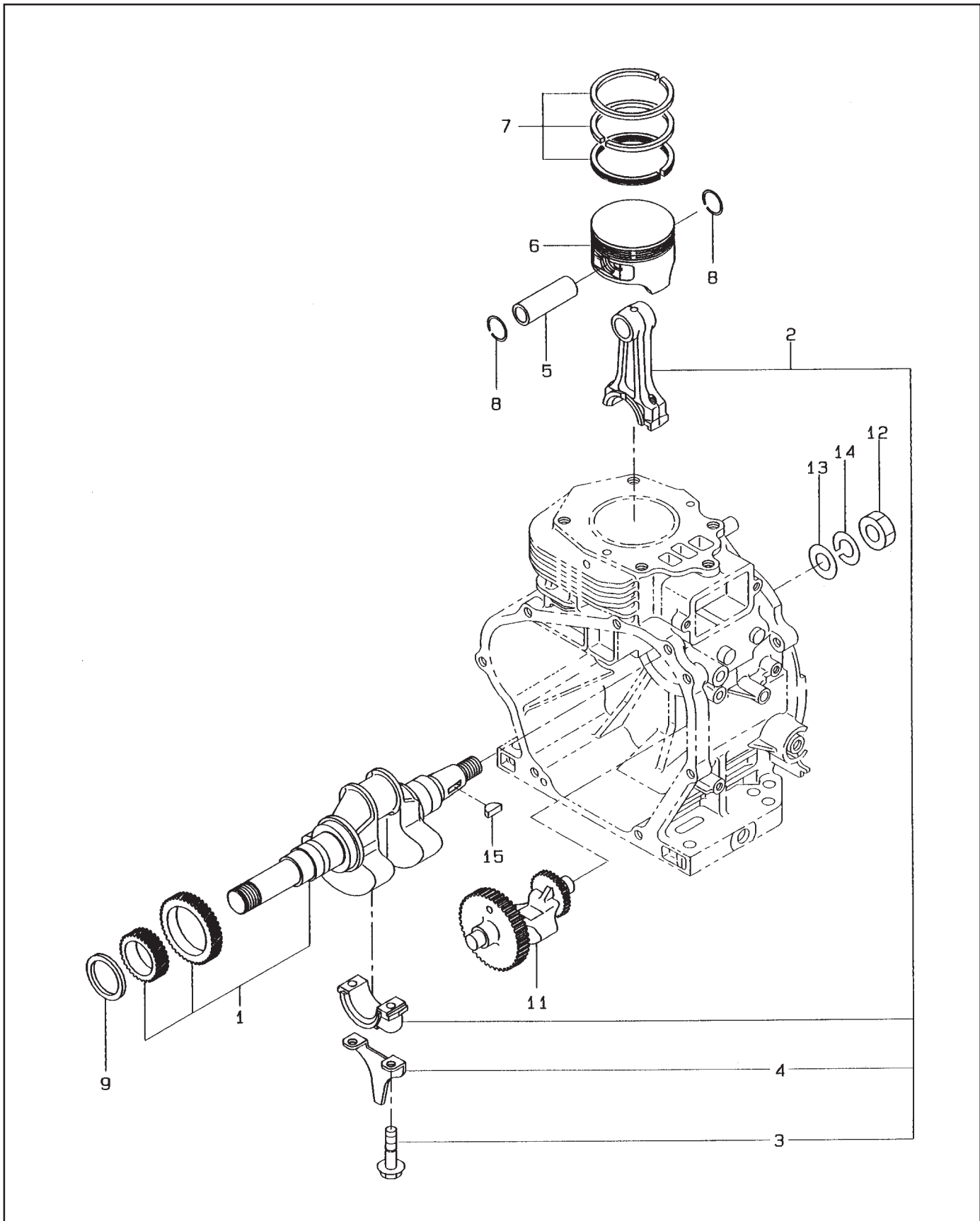
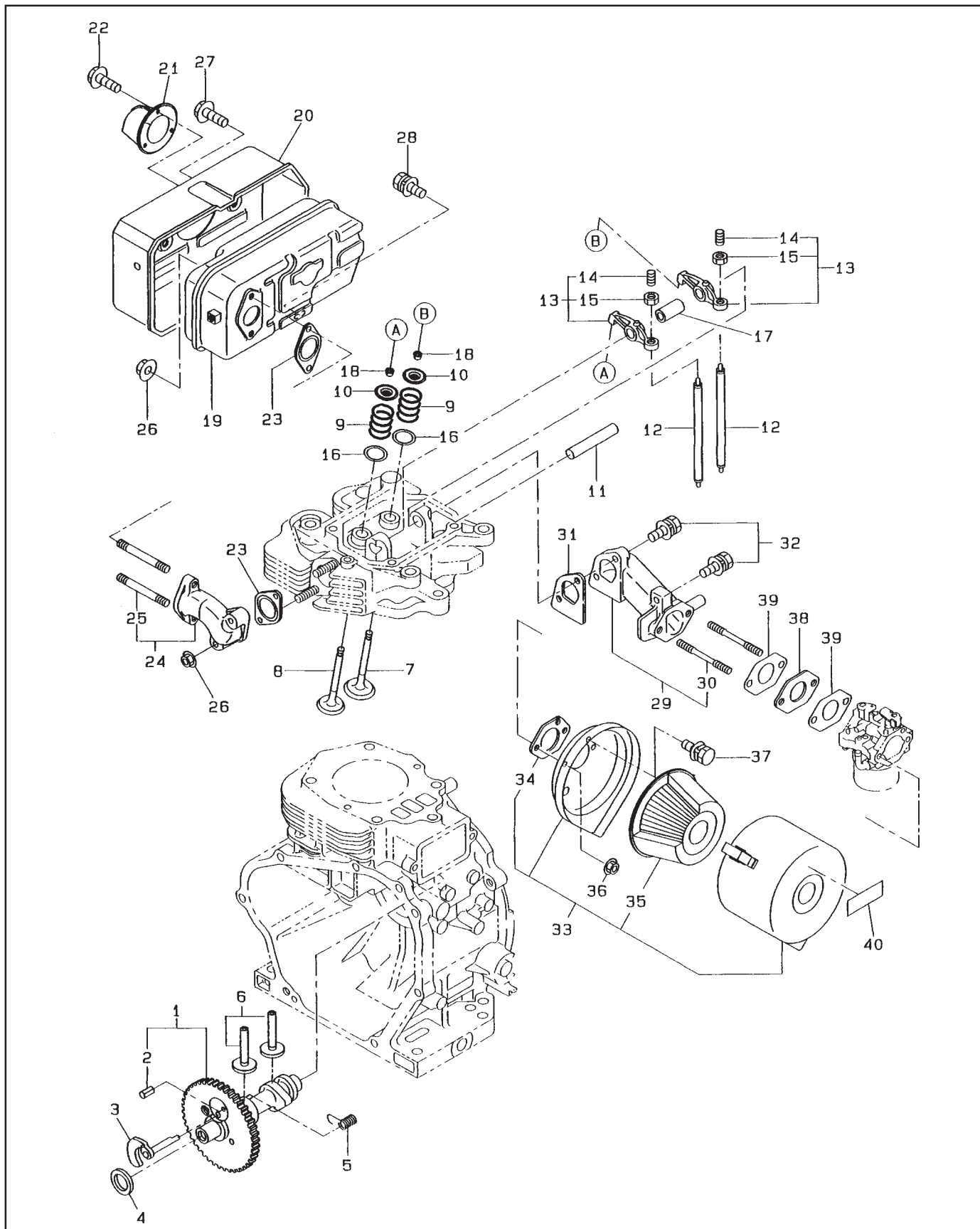






FIG. 4 INTAKE and EXHAUST - PTV405T



**FIG. 4 INTAKE and EXHAUST - PTV405T**

REF	PART NUMBER	DESCRIPTION	QTY	REMARKS
*1	246-31701-01	CAMSHAFT, compl.	1	Includes item 2
2	005-19041-00	SPRING PIN	1	
3	246-36201-01	RELEASE LEVER, compl.	1	
4	023-02200-50	SPACER (t=0.6)	1	select one piece only
4	023-02200-60	SPACER (t=0.7)	1	select one piece only
4	023-02200-70	SPACER (t=0.8)	1	select one piece only
5	246-36701-03	RETURN SPRING	1	
6	246-33301-03	TAPPET	2	
7	246-33411-03	INTAKE VALVE	1	
8	246-33511-03	EXHAUST VALVE	1	
9	246-33611-03	VALVE SPRING	2	
10	246-33711-03	SPRING RETAINER	2	
11	239-35001-03	ROCKER SHAFT	1	
12	246-35301-11	PUSH ROD, compl.	2	
*13	246-36101-10	ROCKER ARM ASS'Y	2	Includes items 14 and 15
14	014-90800-21	ADJUSTING SCREW	2	
15	017-00800-90	NUT	2	
16	020-02000-10	WASHER	2	
17	246-36120-13	SPACER (rocker shaft)	1	
18	246-35501-03	COLLET-VALVE	4	
19	246-30104-01	MUFFLER, compl.	1	
20	246-34205-01	MUFFLER COVER	1	
21	246-37003-01	DEFLECTOR(spark arrester), compl.	1	
22	015-00400-60	TAPPING SCREW	3	
23	246-35201-03	GASKET(muffler)	2	
24	246-34001-01	EXHAUST PIPE, compl.	1	Includes item 25
25	010-50803-60	STUD	2	
26	018-00800-10	FLANGE NUT	4	
27	011-00600-10	FLANGE BOLT	3	
28	001-11081-60	BOLT and WASHER ASS'Y	1	
*29	246-33001-01	INTAKE PIPE, compl.	1	Includes item 30
30	010-50602-30	STUD	2	
31	246-36001-13	GASKET (intake pipe)	1	
32	001-13082-80	BOLT and WASHER ASS'Y	3	
*33	254-32602-10	AIR CLEANER ASS'Y	1	Includes items 34 and 35
34	234-36003-08	PACKING	1	
35	234-32604-07	ELEMENT SET	1	
36	002-38060-00	FLANGE NUT	2	
37	001-10061-20	BOLT and WASHER ASS'Y	1	
38	246-32901-03	INSULATOR	1	
39	234-35902-03	GASKET 2 (insulator)	2	
40	254-95301-13	LABEL (cleaner ID)	1	

FIG. 5 GOVERNOR, OPERATION - PTV405T

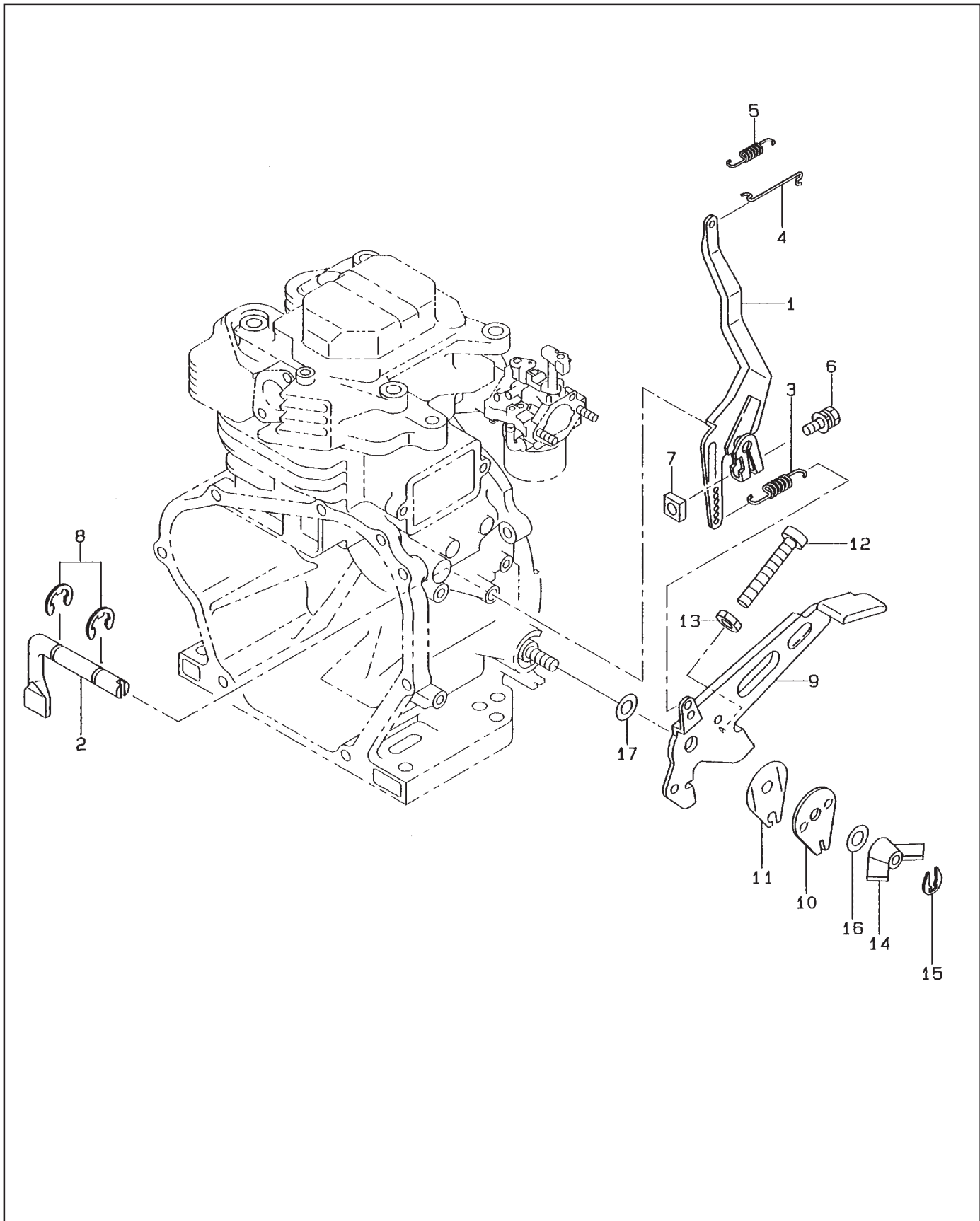
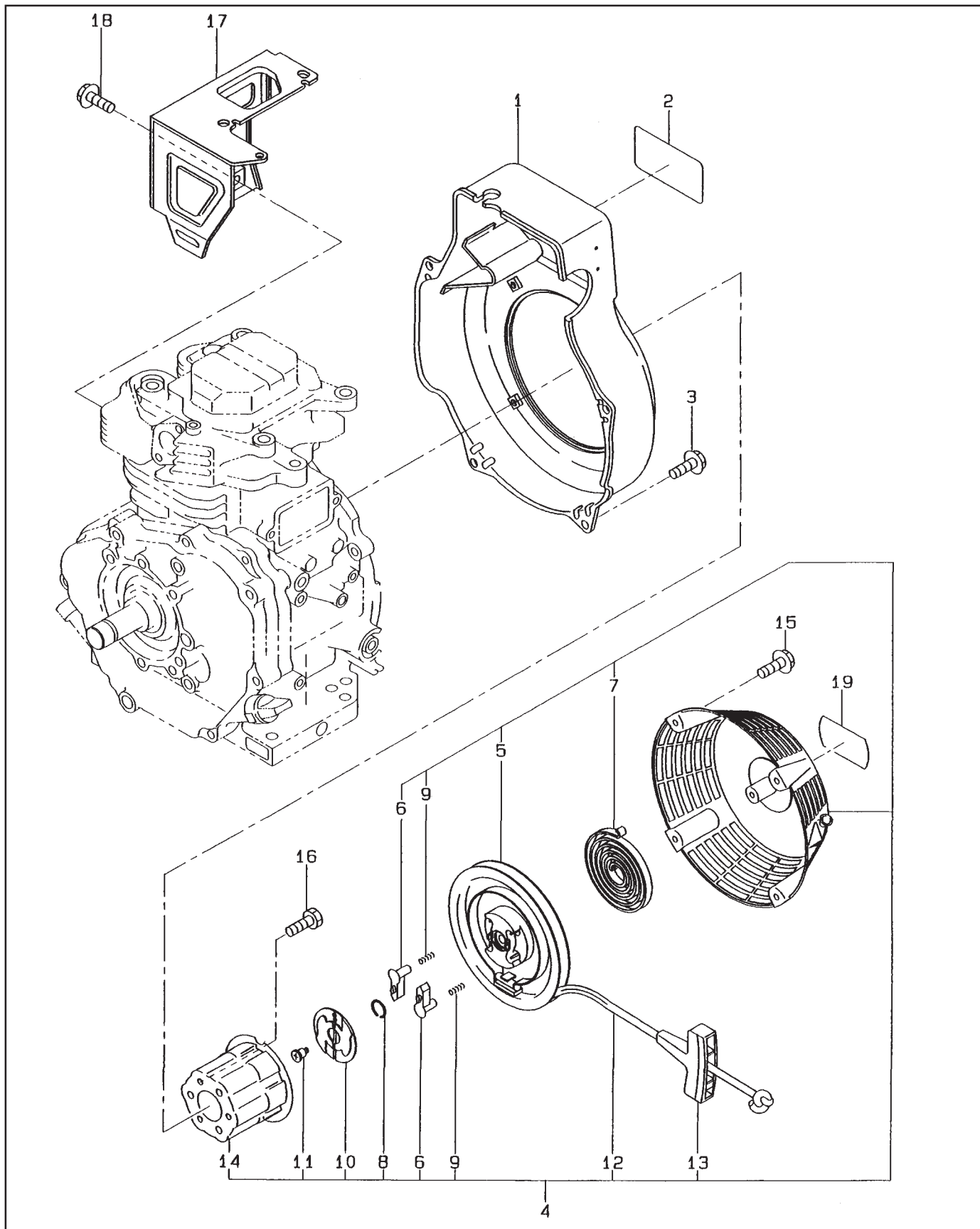


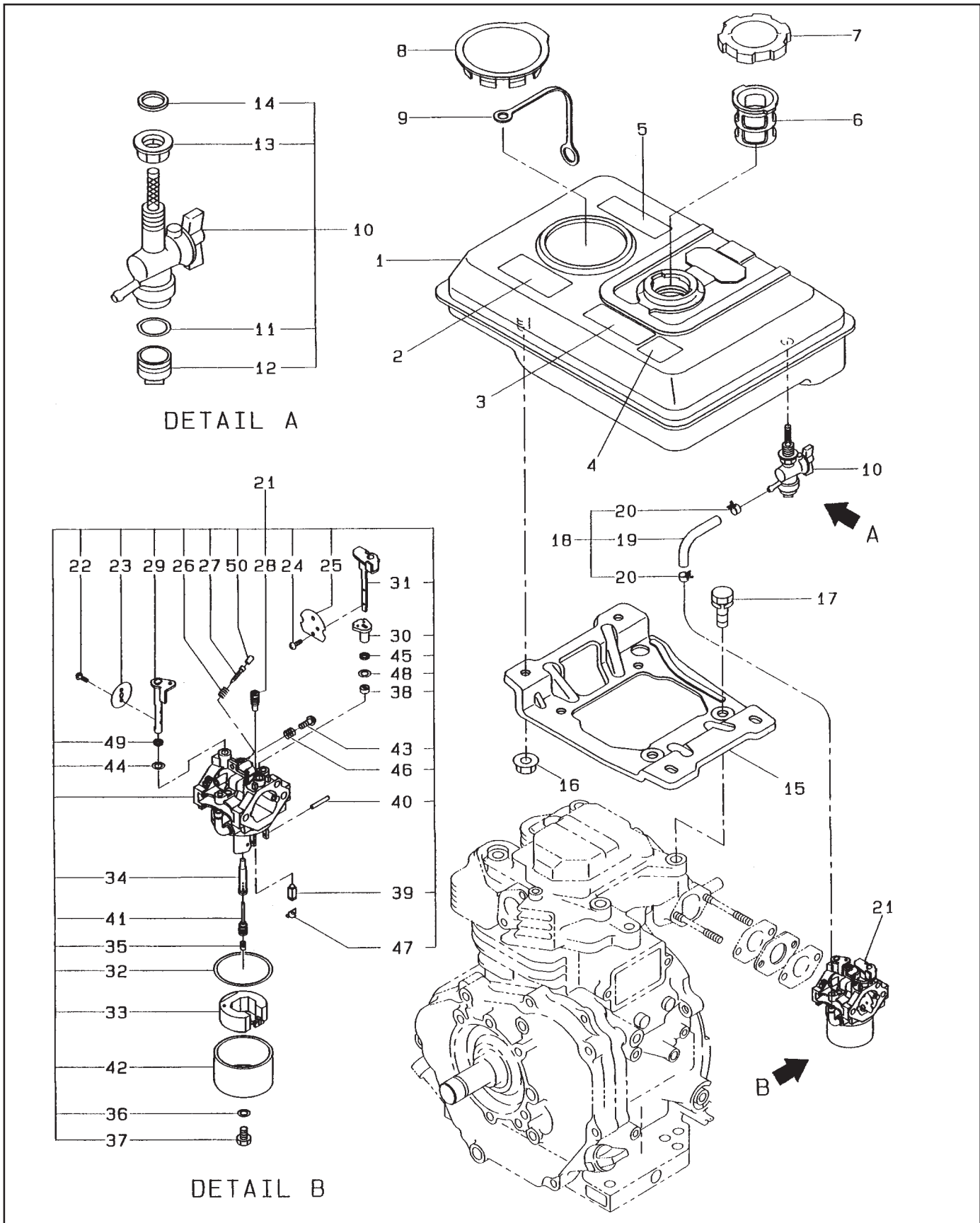


FIG. 6 COOLING and STARTING - PTV405T





**FIG. 7 FUEL and LUBRICANT - PTV405T**





**FIG. 7 FUEL and LUBRICANT - PTV405T**

REF	PART NUMBER	DESCRIPTION	QTY	REMARKS
1	246-68101-01	FUEL TANK,compl.	1	
2	073-20039-00	LABEL(warning)	1	
3	073-20041-60	LABEL(warning)	1	
4	073-20045-20	LABEL(oil caution)	1	
5	247-95201-13	LABEL(emission control)	1	
6	064-13600-10	FUEL FILTER	1	
7	043-04300-15	FUEL TANK CAP,compl.	1	
8	246-66001-03	PLUG COVER	1	
9	246-66002-03	JOINT	1	
10	246-62101-20	FUEL STRAINER ASS'Y	1	Includes items 11 thru 14
11	064-20064-10	PACKING	1	
12	064-20042-10	CUP	1	
13	064-20064-30	NUT	1	
14	064-20064-40	PACKING	1	
15	246-61601-21	FUEL TANK BRACKET	1	
16	002-38080-00	FLANGE NUT	4	
17	001-13102-00	BOLT and WASHER ASS'Y	4	
18	224-62611-01	FUEL PIPE 11 compl.	1	Includes items 19 and 20
19	085-10600-00	RUBBER PIPE (Ø 6 xØ 12 x 100mm)	1	
20	056-11100-20	HOSE CLAMP	2	
*21	247-62315-00	CARBURETOR ASS'Y	1	Includes items 22 thru 50
22	209-62351-08	SCREW	2	
23	213-62535-08	THROTTLE VALVE (#180)	1	
24	237-62451-08	SCREW	2	
25	234-62525-08	CHOKE VALVE	1	
26	209-62445-08	SPRING	1	
27	246-62436-08	PILOT SCREW	1	
28	247-62420-08	PILOT JET (#42.5)	1	
29	246-62531-08	THROTTLE SHAFT ASS'Y	1	
30	239-62560-08	RING (choke)	1	
31	234-62520-08	CHOKE LEVER ASS'Y	1	
32	206-62540-08	CHAMBER PACKING	1	
33	234-62506-08	FLOAT ASS'Y	1	
34	246-62441-08	MAIN NOZZLE	1	
35	246-62402-08	MAIN JET (#97.5)	1	
36	207-62345-08	WASHER	1	
37	224-62544-08	BOLT	1	
38	226-62550-08	RING	1	
39	224-62312-08	NEEDLE VALVE ASS'Y	1	
40	214-62515-08	PIN	1	
41	246-62425-08	GUIDE HOLDER	1	
42	224-62552-08	FLOAT CHAMBER BODY	1	
43	246-62435-08	SCREW	1	
44	106-62392-08	SEAL	1	

**FIG. 7 FUEL and LUBRICANT - PTV405T**

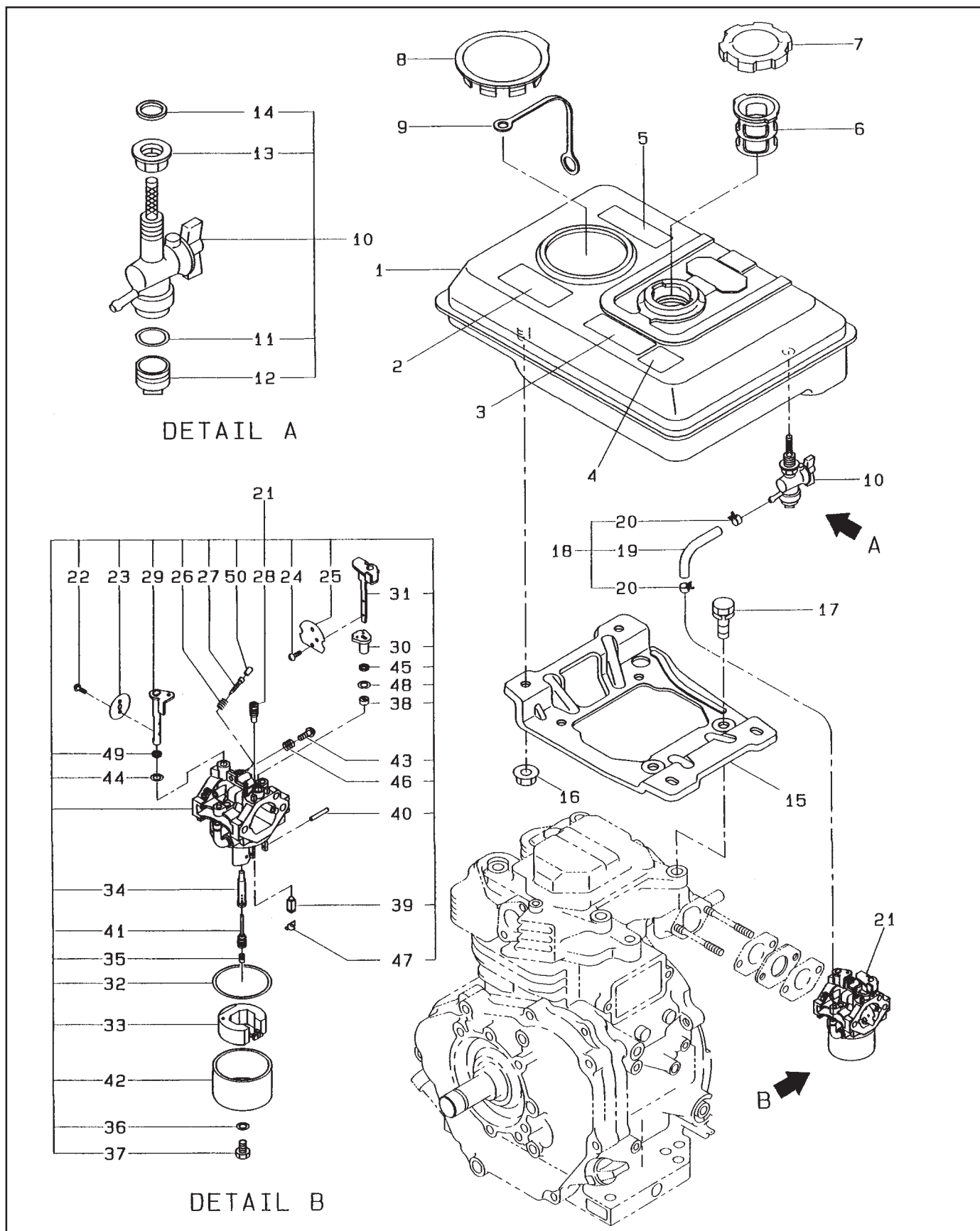




FIG. 8 MAGNETO - PTV405T

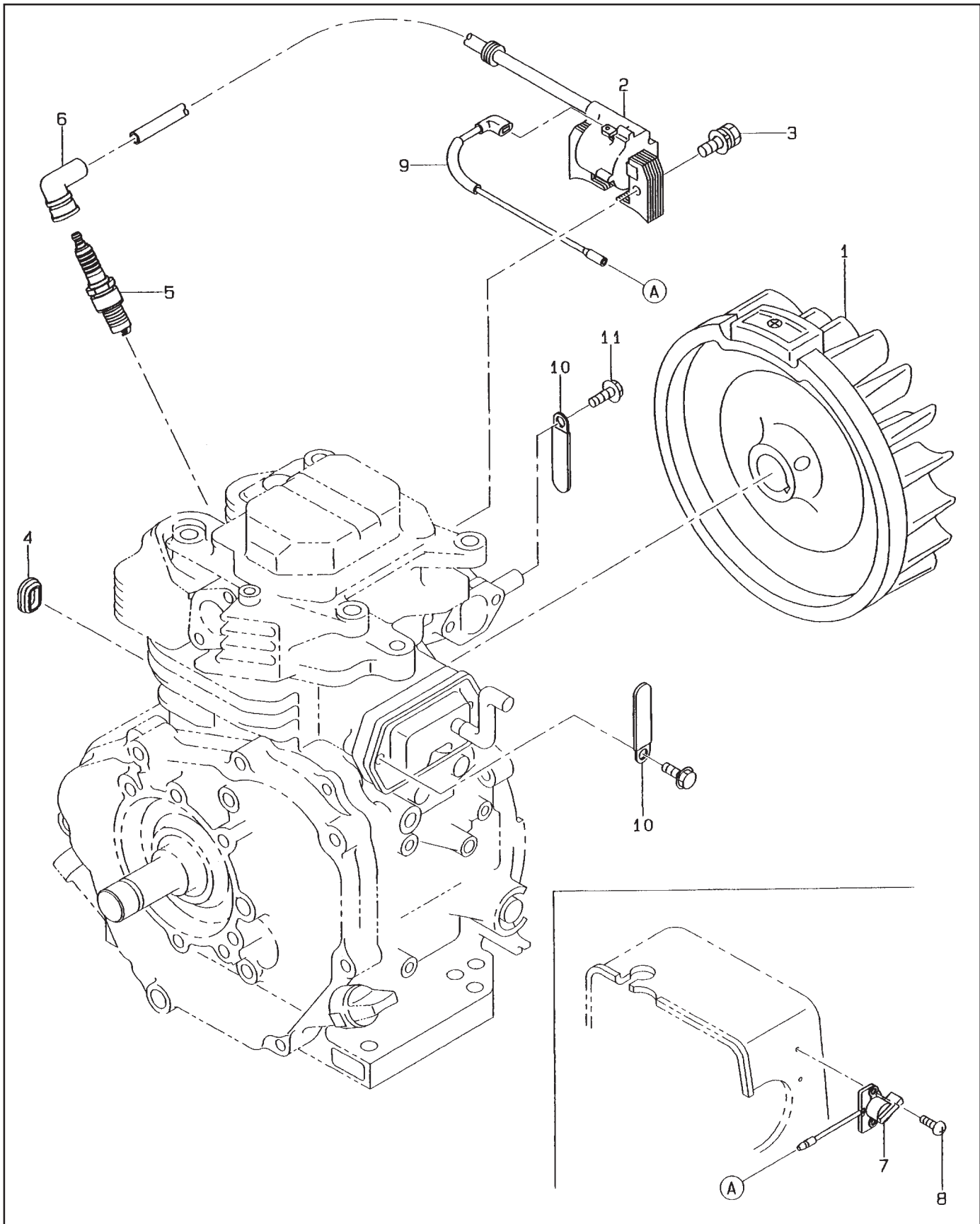
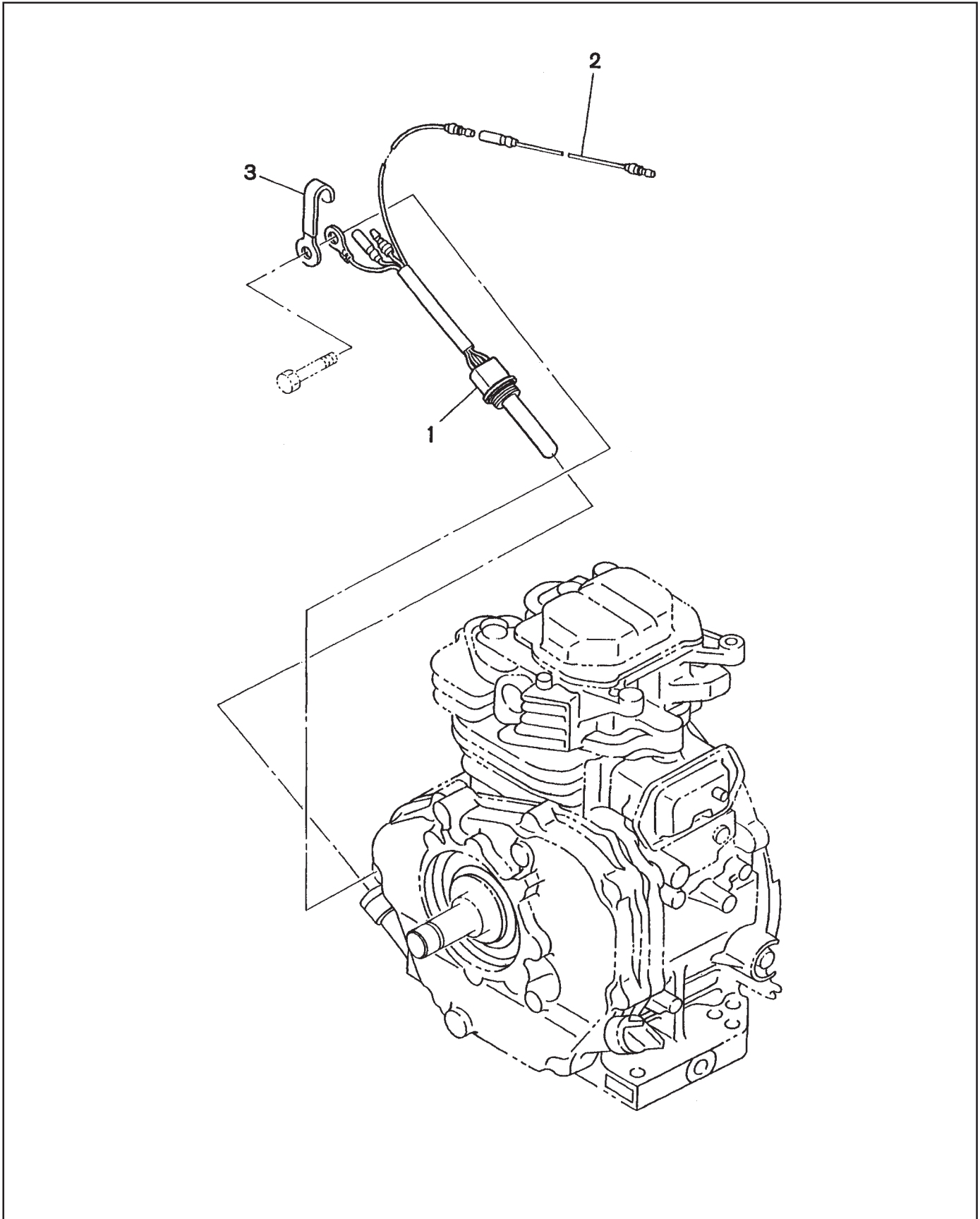




FIG. 9 OIL SENSOR - PTV405T





PRINTED IN THE USA