

Page	Description
1	Table of Contents and Legend
2	12V Outlets / USB Power
3	Air Suspension
4	Audio, Base & Premium 1/2 - MCU
5	Audio, Base & Premium 2/2 - Booster
6	CAN - BFT
7	CAN - Body
8	CAN - Chassis
9	CAN - Falcon Sensing
10	CAN - Powertrain
11	CAN - Thermal
12	Chassis (Braking and Stability) 1/2 - Braking and Stability
13	Chassis (Braking and Stability) 2/2 - Brake Switch, Park Brake
14	Diagnostics
15	Door Controls - Front Actuators
16	Door Controls - Front Left Side
17	Door Controls - Rear Left Side 1/2
18	Door Controls - Rear Left Side 2/2
19	Door Controls - Front Right Side
20	Door Controls - Rear Right Side 1/2
21	Door Controls - Rear Right Side 2/2
22	Drive Inverter
23	Driver Assistance
24	Energy System - Charger Logic Connection
25	Exterior Illumination Front
26	Exterior Illumination Rear
27	Falcon Doors 1/5- Left Struts
28	Falcon Doors 2/5- Right Struts
29	Falcon Doors 3/5- Capacitive Sensors
30	Falcon Doors 4/5- Pinch Sensors
31	Falcon Doors 5/5- Ultrasonic Sensors
32	Front Seat Interface - LHS
33	Front Seat Interface - RHS
34	Grounding - A-Pillars
35	Grounding - Frunk
36	Grounding - IP and Center 1/2 - IP
37	Grounding - IP and Center 2/2 - Center
38	Grounding - Rear Doors
39	Grounding - Rear
40	Hatch Front Actuators/Sensors
41	Hatch Rear Actuators/Sensors
42	High Voltage Interlock (HVIL)
43	Horn and Passive Entry / Security
44	HVAC - Cabin Climate and Rear Defrost
45	HVAC - Case Harness
46	HVAC - Powertrain Cooling - Components
47	HVAC - Powertrain Cooling - Coolant Cycle
48	Instrument Cluster / LIN
49	Interior Illumination Maplights
50	Mirrors - Center and Side
51	Parking Aids
52	Passive Restraints - IP and Front
53	Passive Restraints 1/2
54	Passive Restraints 2/2
55	Auxiliary Fuse Box
56	Cabin BEC 1/3
57	Cabin BEC 2/3
58	Cabin BEC 3/3
59	Pre-Fuse Box
60	Frunk BEC 1/2
61	Frunk BEC 2/2
62	RF Cables
63	Steering Wheel Controls / Power Steering
64	Trailer Systems
65	Wiper / Washer and Rain Sensor
66	Frunk Fusebox Layout
67	Cabin Fusebox Layout
68	Auxiliary Fusebox Layout

Table 1: Abbreviations

LF	Left Front	RF	Right Front
LR	Left Rear	RR	Right Rear
LHS	Left-Hand Side	RHS	Right-Hand Side

Table 2: Harness Designators

C	Center Console	RO	RL Door Strut Harness
D	LF Door Harness	RT	RL Door Trim Harness
DT	LF Door Trim Harness	RU	RL Upper Door Harness
F	Front Fascia Harness	SL	RR Lower Door Harness
G	Rear Fascia Harness	SO	RR Door Strut Harness
H	Instrument Panel Harness	ST	RR Door Trim Harness
J	Main Body Harness	SU	RR Upper Door Harness
K	Headliner	T	Tailgate Harness
L	Front End Module	V	Overhead Console Harness
P	RF Door Harness	W	Frunk Harness
PT	RF Door Trim Harness	X	Rear Subframe Harness
RL	LR Lower Door Harness		

Table 3: Wire Color Designators

BK	Black	OG	Orange
BN	Brown	RD	Red
BU	Blue	VT	Violet (Purple)
GN	Green	WH	White
GY	Gray	YE	Yellow

Striped wires are indicated by base-color code "/" then stripe color code.

"BK/WH" indicates a black wire with a white stripe.

Table 4: Wire Type Designators

FLRY	Thin wall 105C rated, regular stranded PVC insulates cables [FLRY-A]
FLRB	Thin wall 105C rated, bunched conductor PVC insulates cables [FLRY-B]
M CIV	Thin wall 105C rated, compressed conductor PVC (halogen free) insulated cables
XR15	Thin wall 150C rated, cross-linked polyolefin, high flexible cable

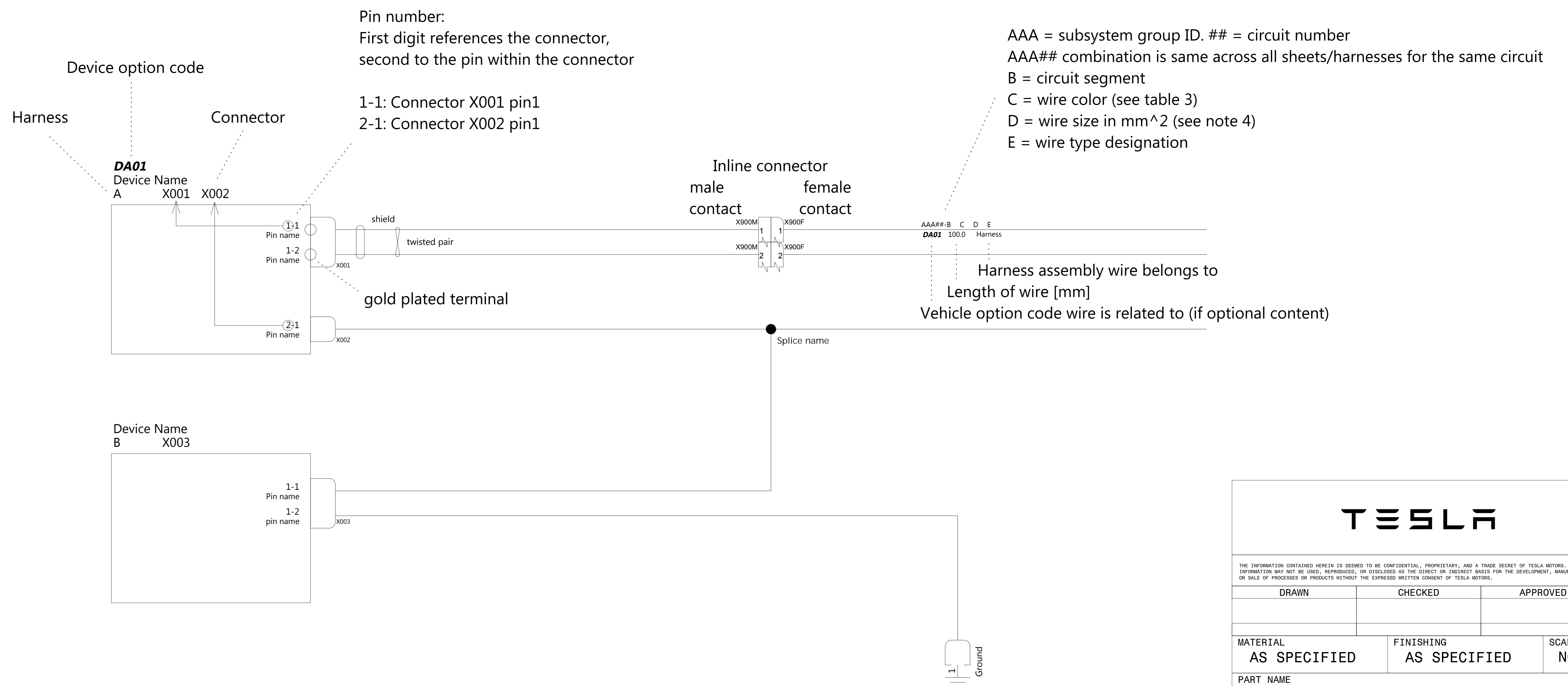
General Notes:

- Switches [Relays] are shown in their inactive [de-energized] state.
- Splices may be split across pages for visual clarity with respect to the function displayed on the particular page.
- Some connectors are split across multiple pages for clarity.
There is no overall reference in this document for the signals routed to a specific connector.
- Wire sizes are specified in mm² cross-sectional area (CSA) per SAE 1127/8
- Wire Specification: 60V, thin-wall PVC (ISO type or equivalent).
Default wire type to be rated 60VDC/25VAC and -40C to 105C operating temperature.
See DIN 13602 or ISO 6722 for detailed specifications.
- Unless otherwise specified at the device pins, terminal plating is to be Tin or Pre-Tin

TERMINAL PLATING

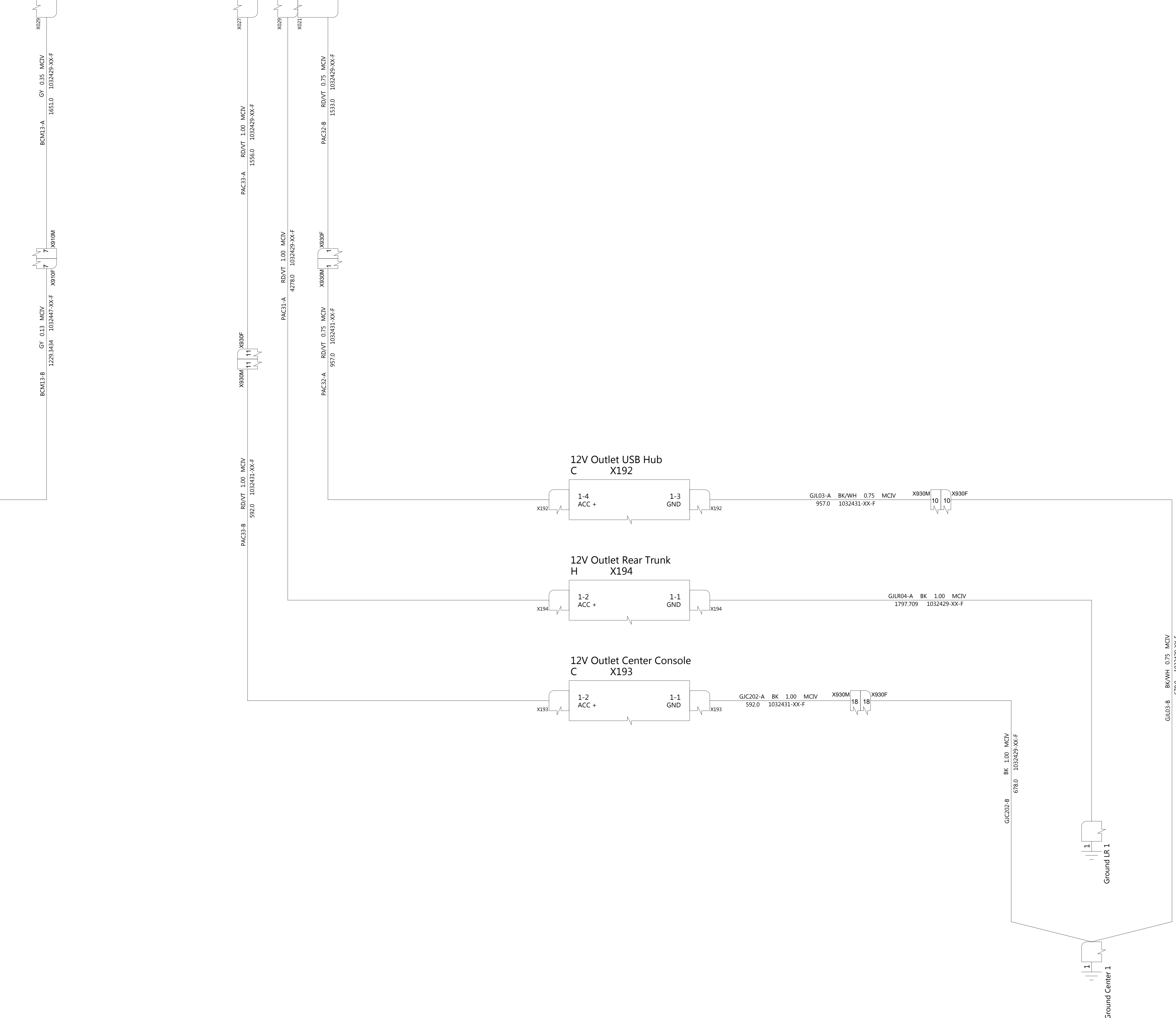
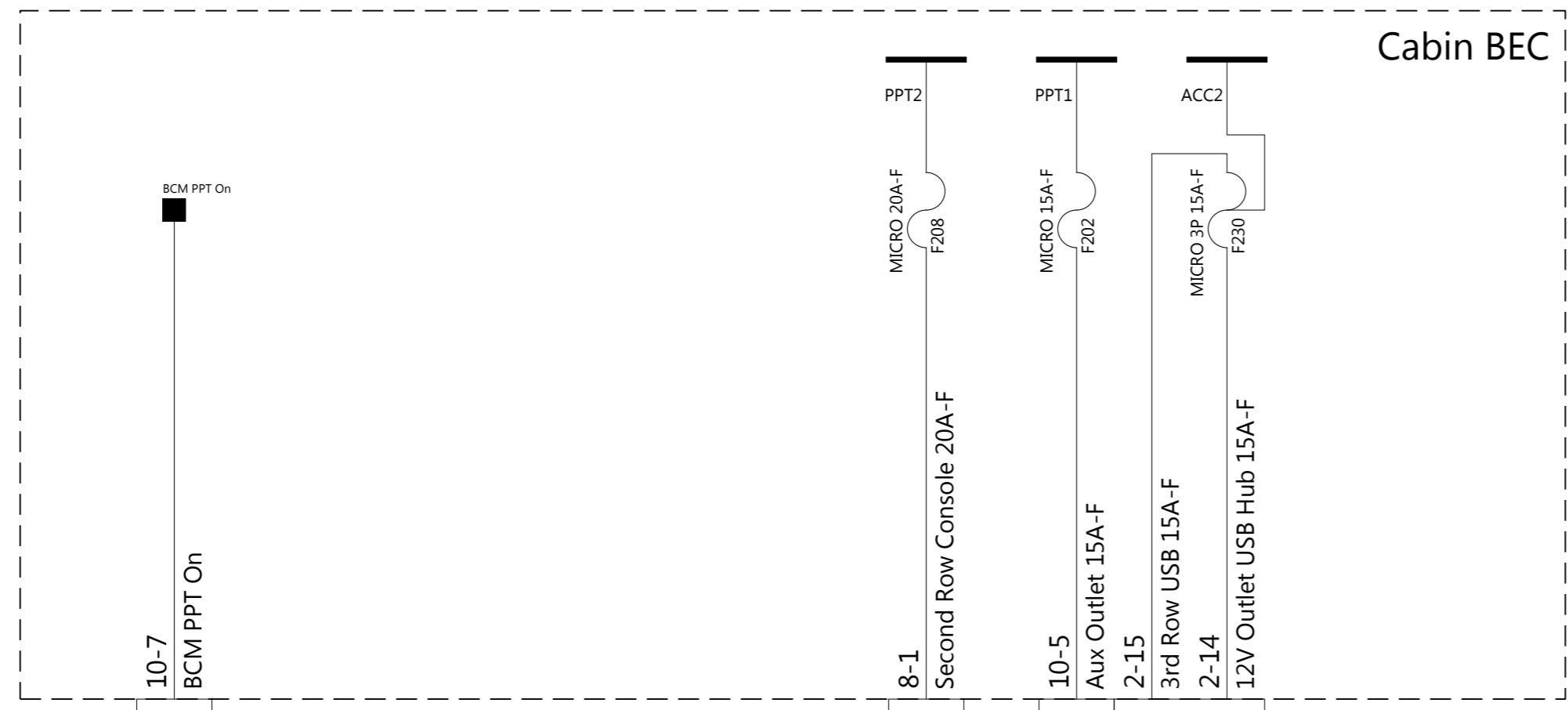
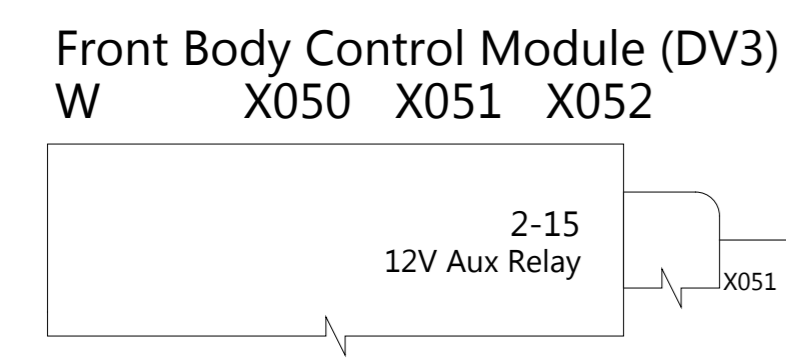
- GOLD TERMINAL NECESSARY
- SILVER PLATING NECESSARY

- Inline connector gender specification is based on the terminal type.
Inline connectors with "M" suffix have male, tab or pin terminals
Inline connectors with "F" suffix have female, receptacle or socket terminals



THE INFORMATION CONTAINED HEREIN IS DEEMED TO BE CONFIDENTIAL, PROPRIETARY, AND A TRADE SECRET OF TESLA MOTORS. THIS INFORMATION MAY NOT BE USED, REPRODUCED, OR DISCLOSED AS THE DIRECT OR INDIRECT BASIS FOR THE DEVELOPMENT, MANUFACTURE, OR SALE OF PROCESSES OR PRODUCTS WITHOUT THE EXPRESS WRITTEN CONSENT OF TESLA MOTORS.

DRAWN	CHECKED	APPROVED
MATERIAL AS SPECIFIED		FINISHING AS SPECIFIED
PART NAME		SCALE NONE
Table of Contents - Model X FLVL		
PART NUMBER	REV	SHEET
	1	1 OF 1
		SIZE A0



THE INFORMATION CONTAINED HEREIN IS DEEMED TO BE CONFIDENTIAL, PROPRIETARY, AND A TRADE SECRET OF TESLA MOTORS. THIS INFORMATION MAY NOT BE USED, REPRODUCED, OR DISCLOSED AS THE DIRECT OR INDIRECT BASIS FOR THE DEVELOPMENT, MANUFACTURE, OR SALE OF PROCESSES OR PRODUCTS WITHOUT THE EXPRESSED WRITTEN CONSENT OF TESLA MOTORS.

DRAWN	CHECKED	APPROVED
MATERIAL AS SPECIFIED	FINISHING AS SPECIFIED	SCALE NONE
PART NAME 12V Outlets		
PART NUMBER	REV	SHEET
	1	1 OF 1
		SIZE A0



Center Display / Gateway E
J X170 X171 X173 X174 X175

X750 Splice
W X750

Front Body Control Module (DV3)
W X050 X051 X052

Rear Body Control Module (DV3)
H X070 X071 X072 X073 X078

X702 Splice
H X702

SU01 // SU02
Tesla Air Suspension Controller (DV3)
W X080 X081

SU01 // SU02
Air Susp Valve Block
W X087

SU01 // SU02
Air Compressor
W X088 X089

ASC Level Sensor LF
W X083

SU01 // SU02
ASC Level Sensor RF
W X084

ASC Level Sensor LR
X X085

SU01 // SU02
ASC Level Sensor RR
X X086

Ground From Center

Ground RF Rail 1



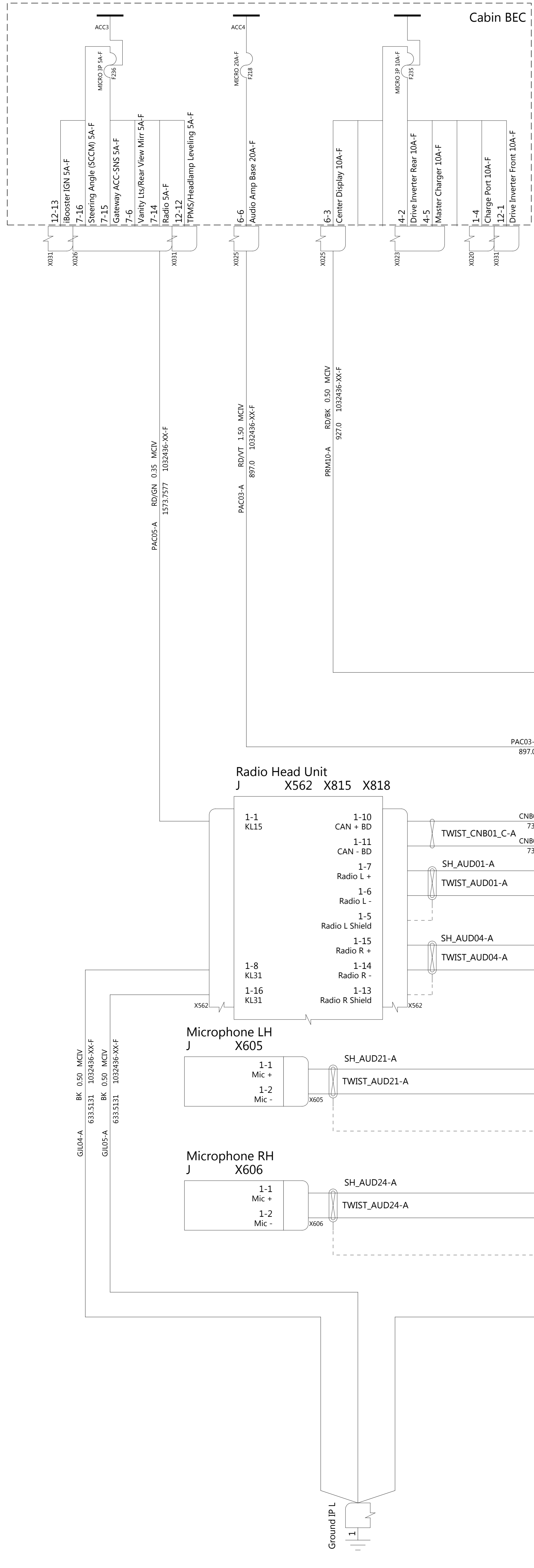
THE INFORMATION CONTAINED HEREIN IS DEEMED TO BE CONFIDENTIAL, PROPRIETARY, AND A TRADE SECRET OF TESLA MOTORS. THIS INFORMATION MAY NOT BE USED, REPRODUCED, OR DISCLOSED AS THE DIRECT OR INDIRECT BASIS FOR THE DEVELOPMENT, MANUFACTURE, OR SALE OF PROCESSES OR PRODUCTS WITHOUT THE EXPRESSED WRITTEN CONSENT OF TESLA MOTORS.

DRAWN	CHECKED	APPROVED
-------	---------	----------

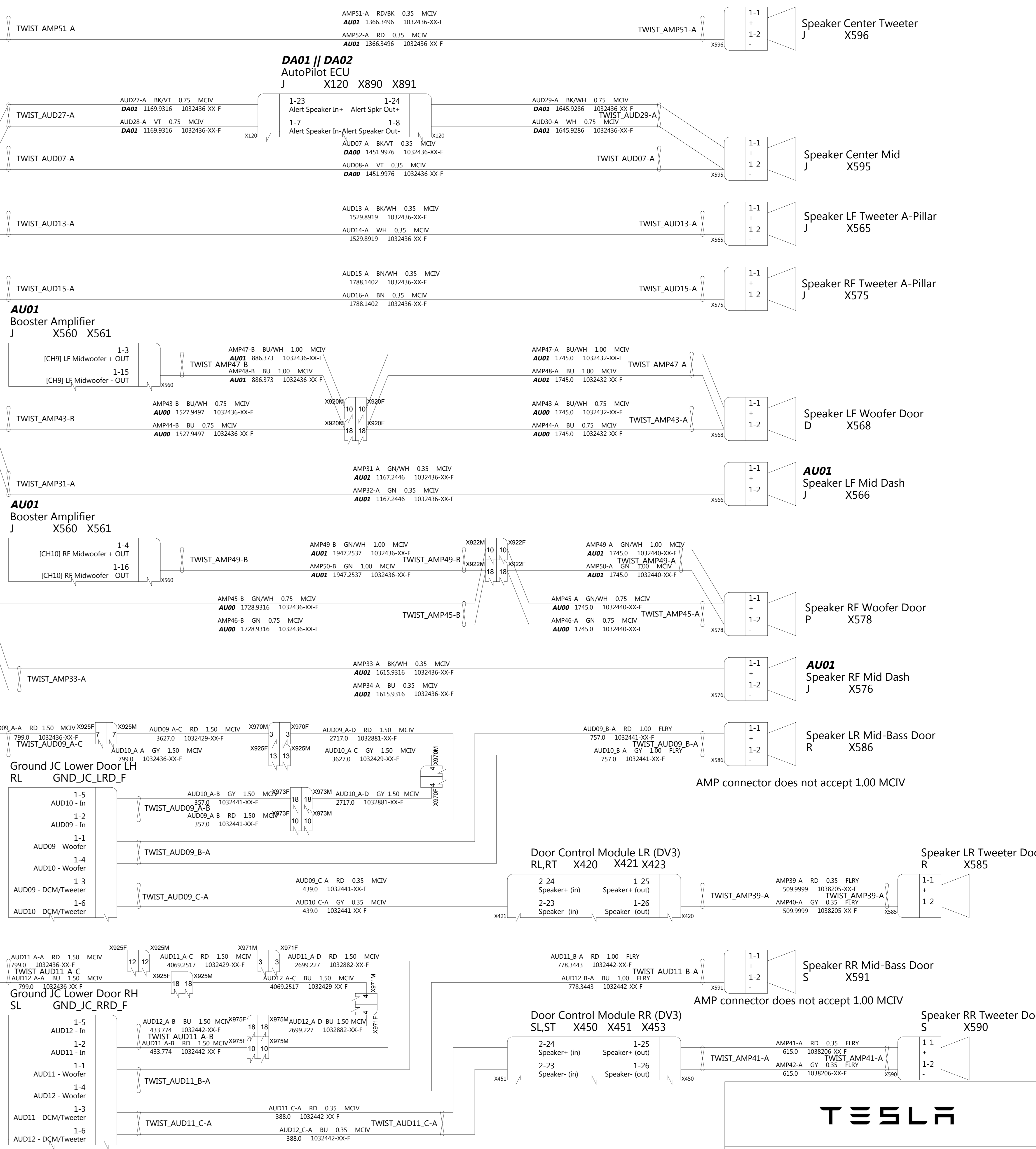
MATERIAL AS SPECIFIED	FINISHING AS SPECIFIED	SCALE NONE
--------------------------	---------------------------	---------------

PART NAME
Air Suspension

PART NUMBER	REV	SHEET	SIZE
	1	1 OF 1	A0



Center Display / Gateway E
J X170 X171 X173 X174 X175

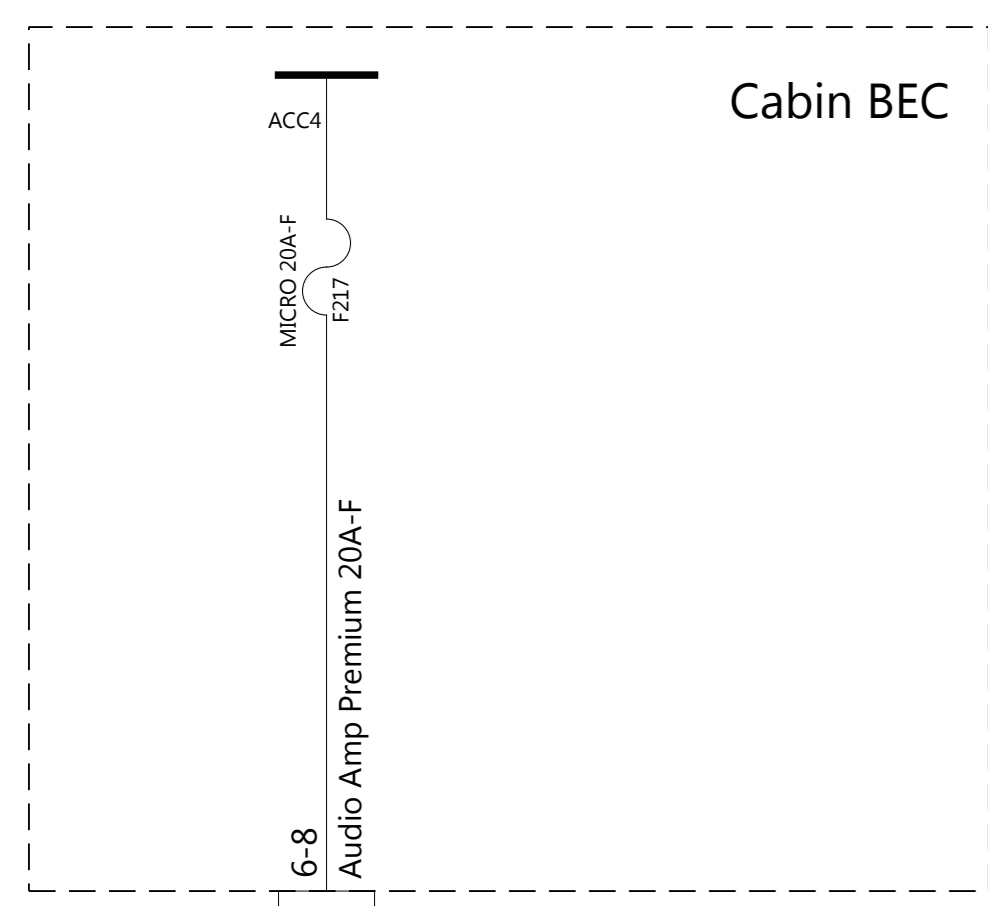


AMU0 = base audio
AMU01 = premium audio

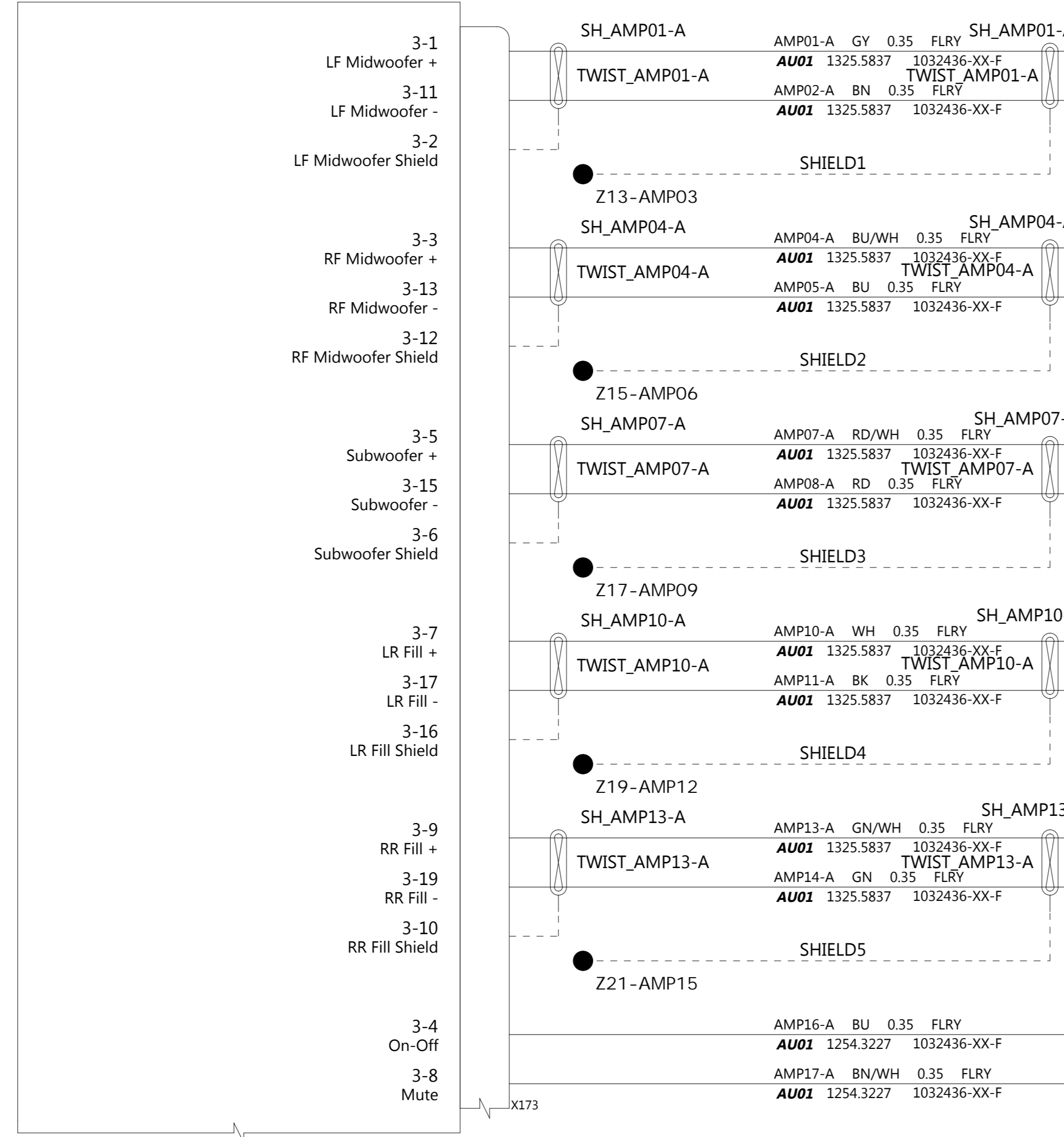
TESLA

THE INFORMATION CONTAINED HEREIN IS DEEMED TO BE CONFIDENTIAL, PROPRIETARY, AND A TRADE SECRET OF TESLA MOTORS. THIS INFORMATION MAY NOT BE USED, REPRODUCED, OR DISCLOSED AS THE DIRECT OR INDIRECT BASIS FOR THE DEVELOPMENT, MANUFACTURE, OR SALE OF PROCESSES OR PRODUCTS WITHOUT THE EXPRESSED WRITTEN CONSENT OF TESLA MOTORS.

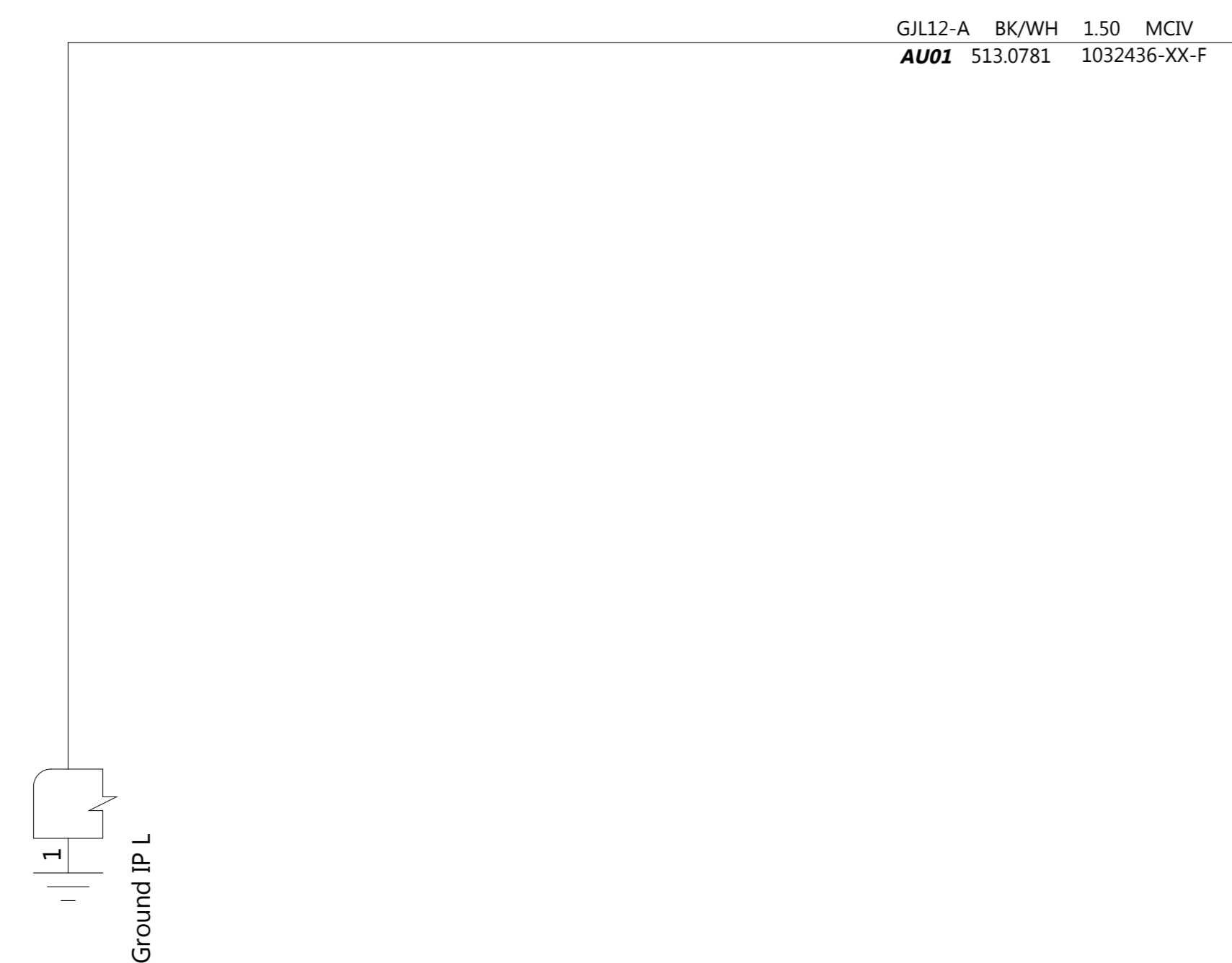
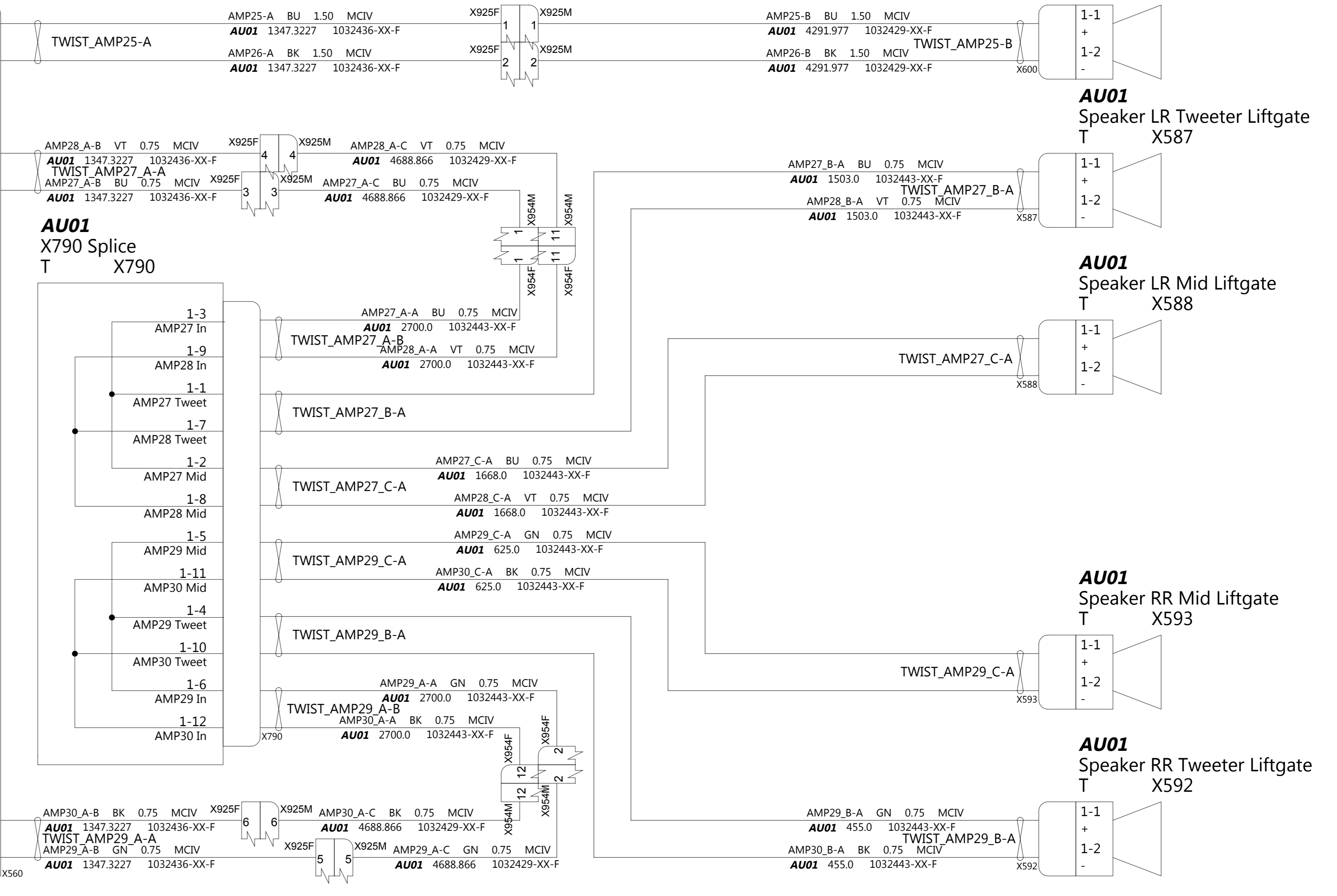
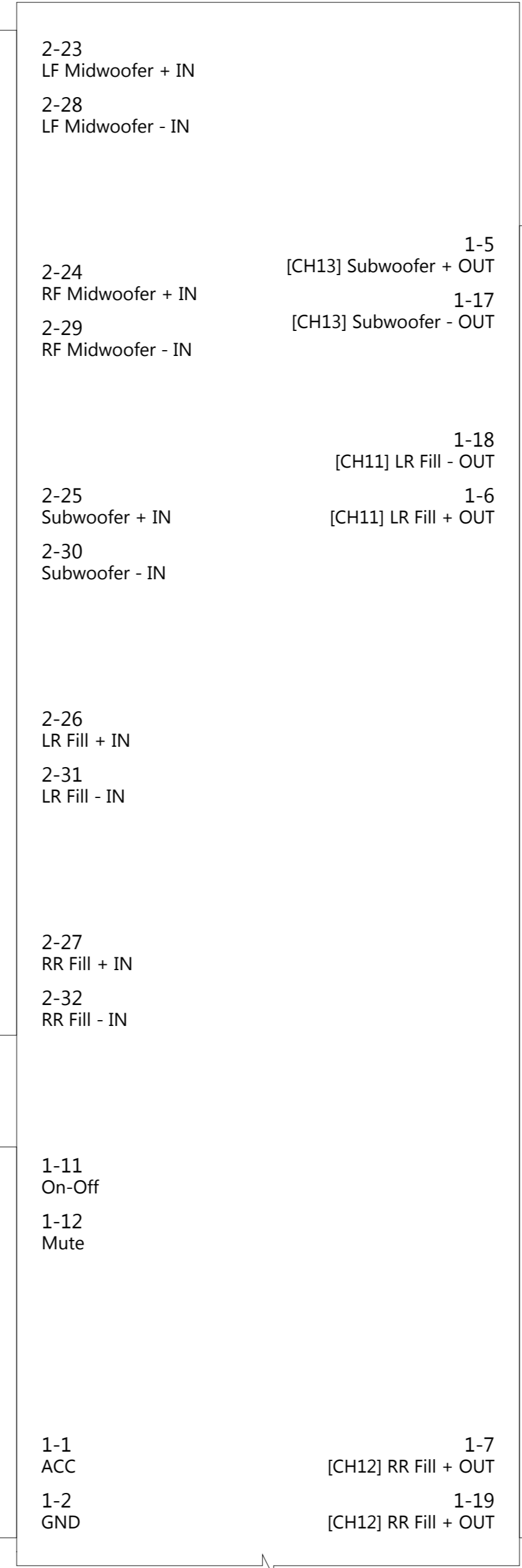
DRAWN	CHECKED	APPROVED
MATERIAL AS SPECIFIED	FINISHING AS SPECIFIED	SCALE NONE
PART NAME Audio, Base & Premium (DV2 MCU1.5)		
PART NUMBER	REV	SHEET
	1	1 OF 2
		SIZE A0



Center Display / Gateway E
J X170 X171 X173 X174 X175 X801 X802 X804



AU01
Booster Amplifier
J X560 X561



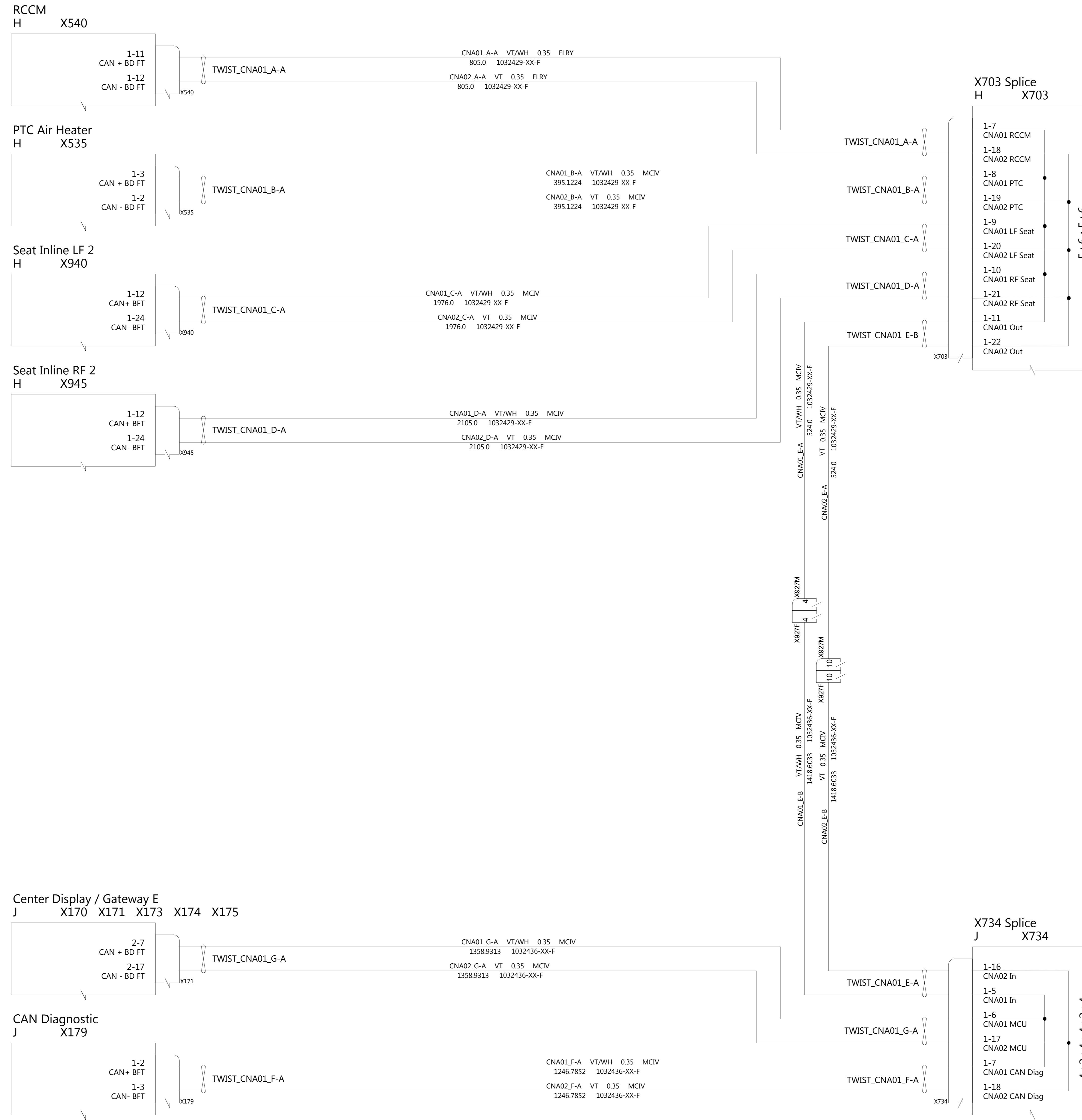
THE INFORMATION CONTAINED HEREIN IS DEEMED TO BE CONFIDENTIAL, PROPRIETARY, AND A TRADE SECRET OF TESLA MOTORS. THIS INFORMATION MAY NOT BE USED, REPRODUCED, OR DISCLOSED AS THE DIRECT OR INDIRECT BASIS FOR THE DEVELOPMENT, MANUFACTURE, OR SALE OF PROCESSES OR PRODUCTS WITHOUT THE EXPRESSED WRITTEN CONSENT OF TESLA MOTORS.

DRAWN	CHECKED	APPROVED
-------	---------	----------

MATERIAL AS SPECIFIED	FINISHING AS SPECIFIED	SCALE NONE
--------------------------	---------------------------	---------------

PART NAME
Audio, Base & Premium (DV2 MCU1.5)

PART NUMBER	REV	SHEET	SIZE
	1	2 OF 2	A0



TESLA

THE INFORMATION CONTAINED HEREIN IS DEEMED TO BE CONFIDENTIAL, PROPRIETARY, AND A TRADE SECRET OF TESLA MOTORS. THIS INFORMATION MAY NOT BE USED, REPRODUCED, OR DISCLOSED AS THE DIRECT OR INDIRECT BASIS FOR THE DEVELOPMENT, MANUFACTURE, OR SALE OF PROCESSES OR PRODUCTS WITHOUT THE EXPRESSED WRITTEN CONSENT OF TESLA MOTORS.

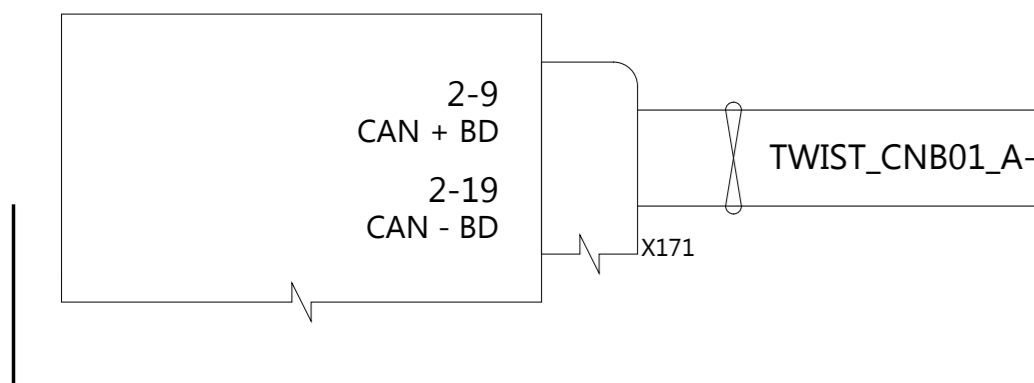
DRAWN	CHECKED	APPROVED
-------	---------	----------

MATERIAL AS SPECIFIED	FINISHING AS SPECIFIED	SCALE NONE
--------------------------	---------------------------	---------------

PART NAME
Body Fault Tolerant CAN Network - Rev2 U

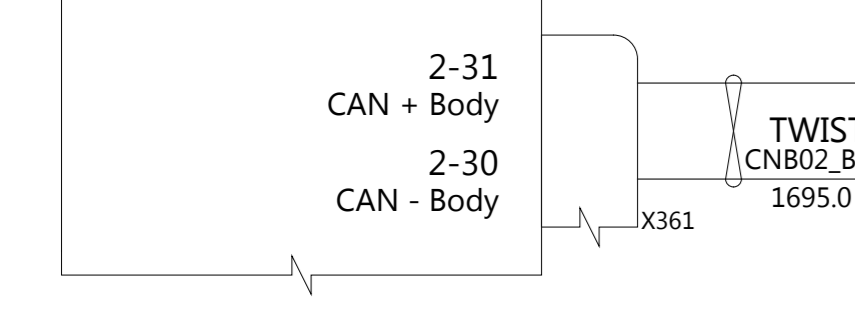
PART NUMBER	REV	SHEET	SIZE
	1	5 OF 66	A0

Center Display / Gateway E
J X170 X171 X173 X174 X175

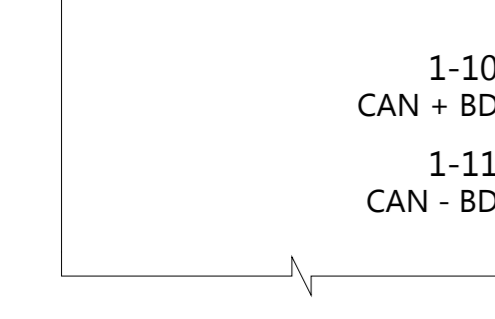


Termination

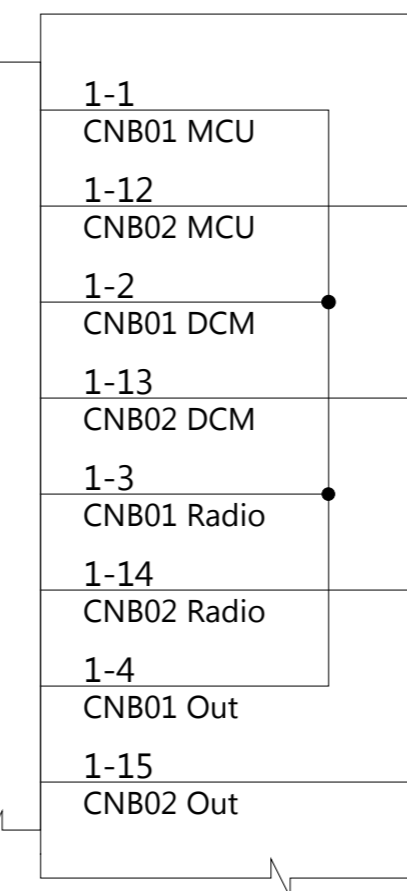
Door Control Module LF (DV3) D
X360 X361 X362 X363



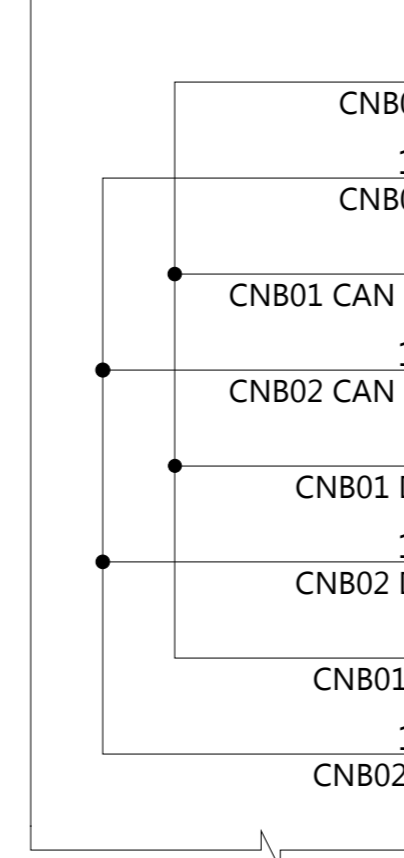
Radio Head Unit J
X562



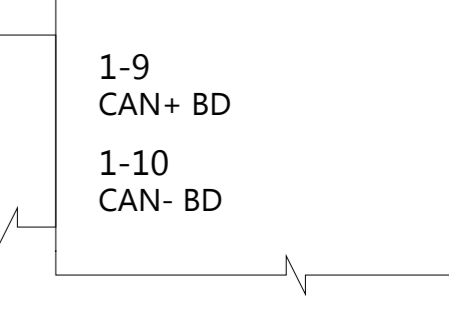
X728 Splice J
X728



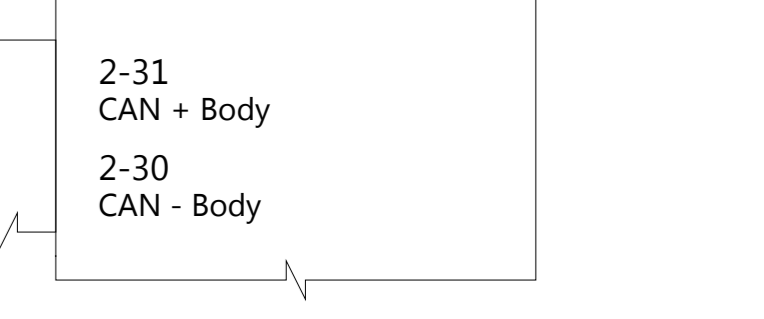
X734 Splice J
X734



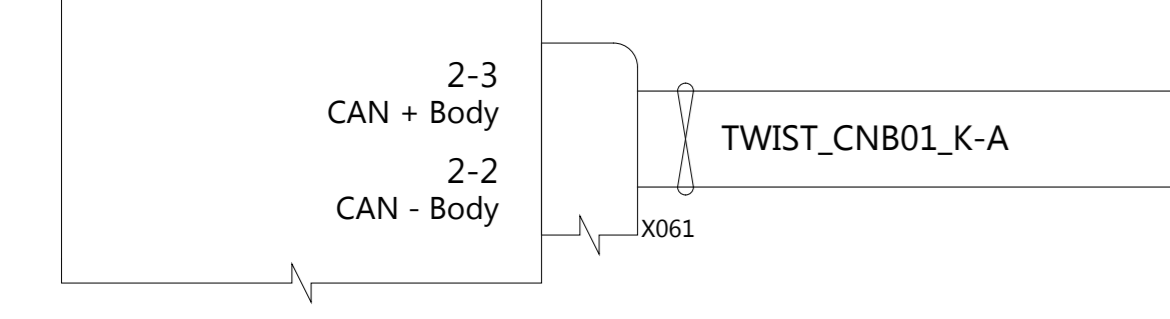
CAN Diagnostic J
X179



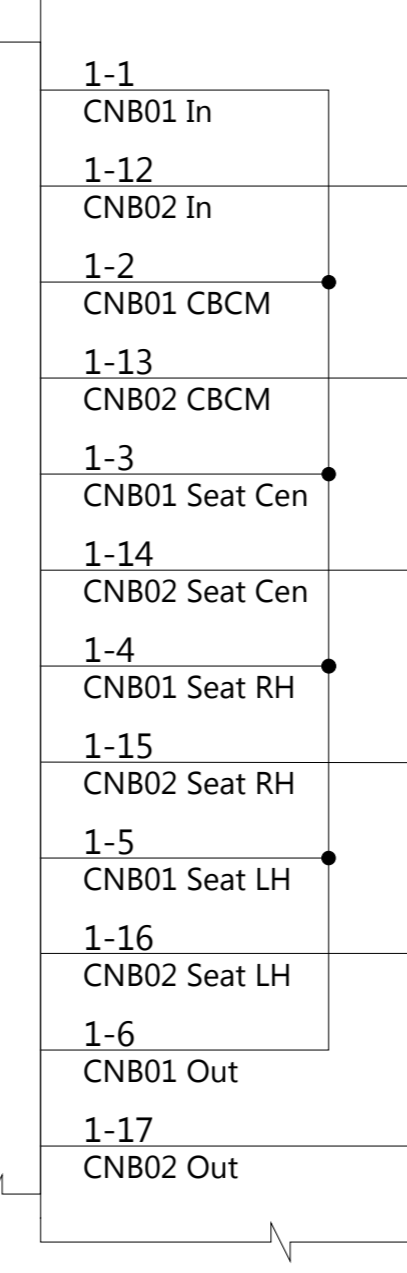
Door Control Module RF (DV3) P
X390 X391 X392



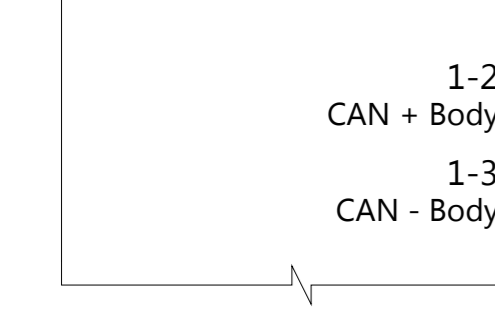
Central Body Control Module (DV3) H
X060 X061 X062 X063 X824 X858



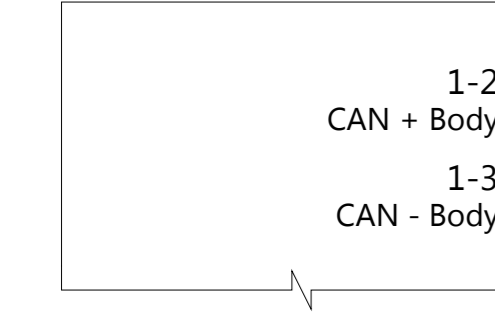
X708 Splice H
X708



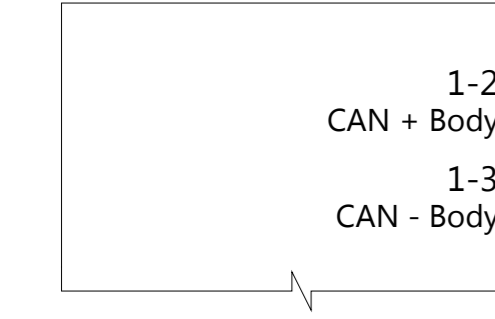
Seat 2nd Row CEN H
X960



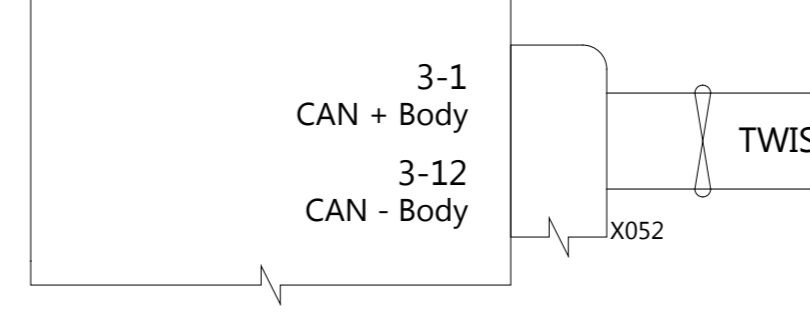
Seat 2nd Row RH H
X958



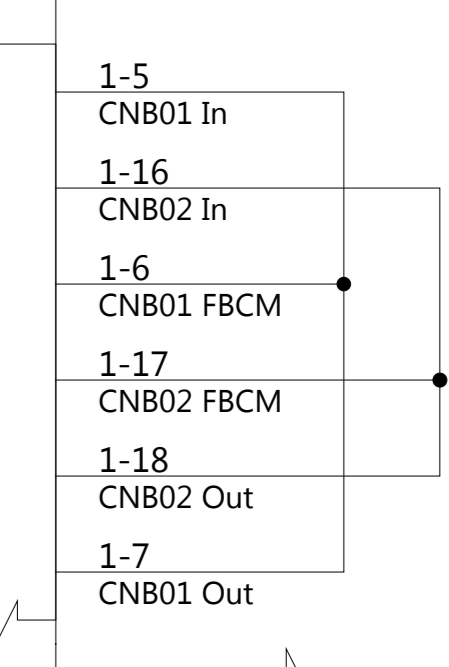
Seat 2nd Row LH H
X957



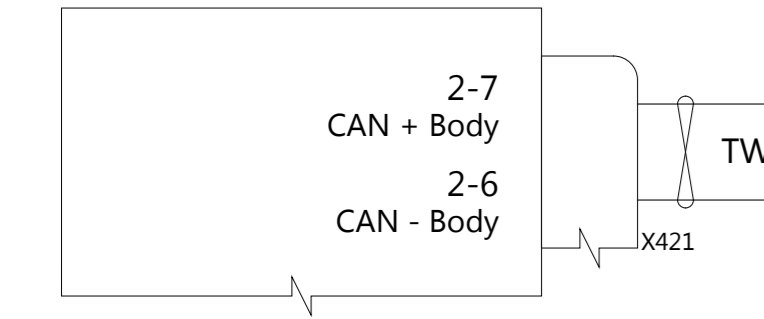
Front Body Control Module (DV3) W
X050 X051 X052



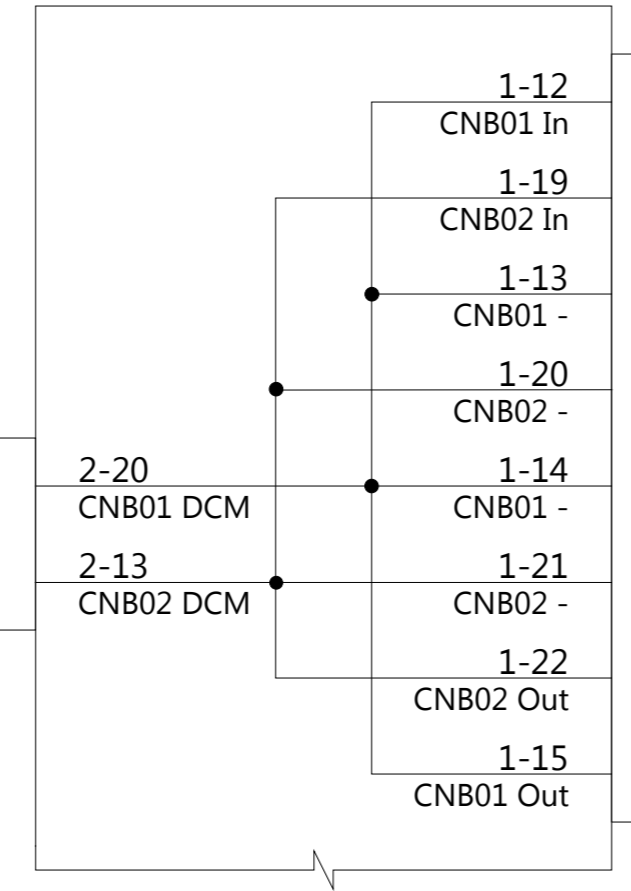
X732 Splice J
X732



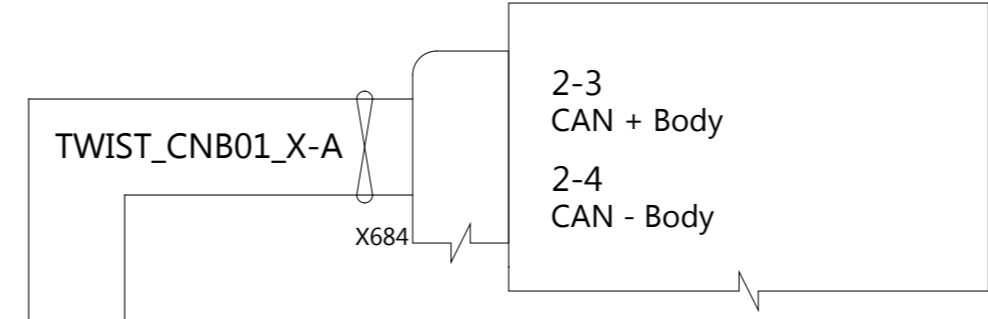
Door Control Module LR (DV3) RL,RT
X420 X421 X423



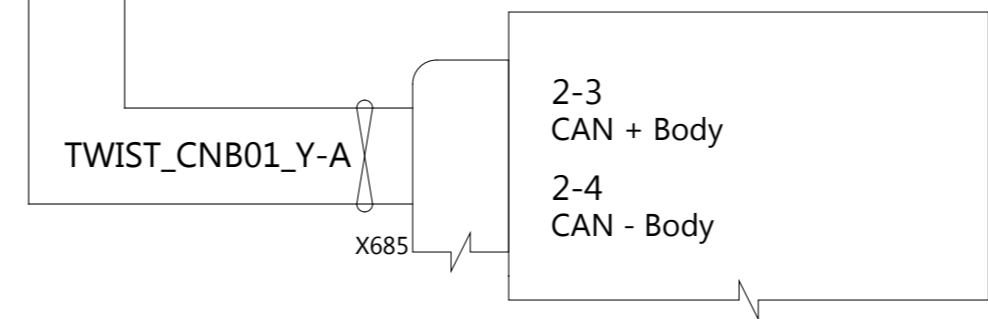
X976 Inline Splice H, RU
X976MX976F



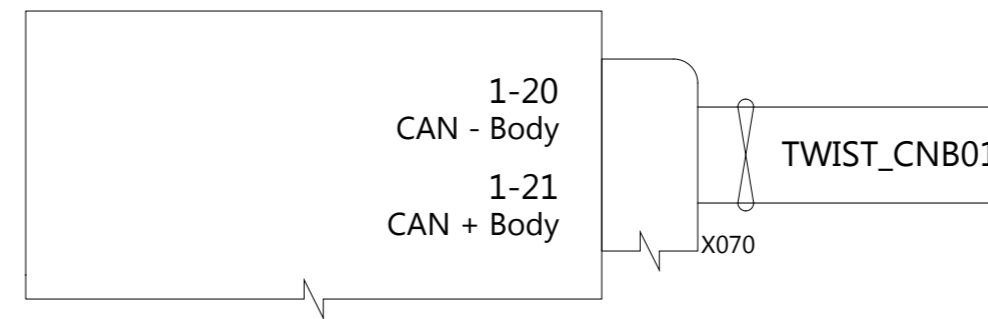
Falcon Controller Front H
X680 X684 X670 X671 X672 X673



Falcon Controller Rear H
X682 X685 X674 X675 X676 X677

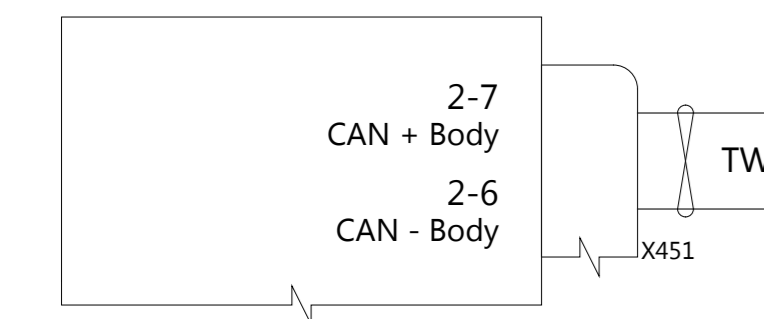


Rear Body Control Module (DV3) H
X070 X071 X072 X073 X078

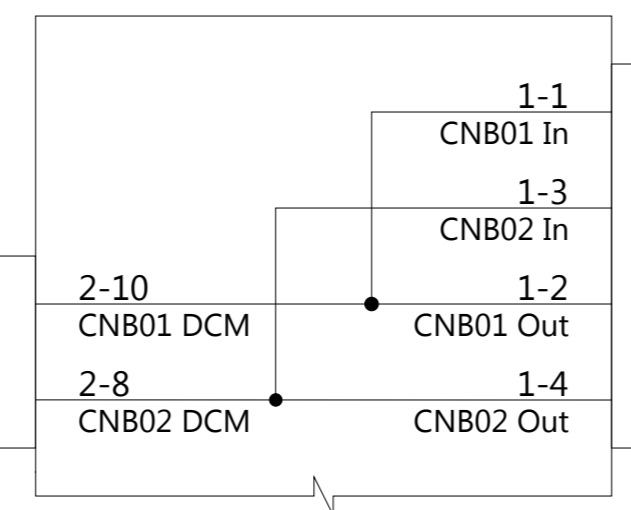


Termination

Door Control Module RR (DV3) SL,ST
X450 X451 X453

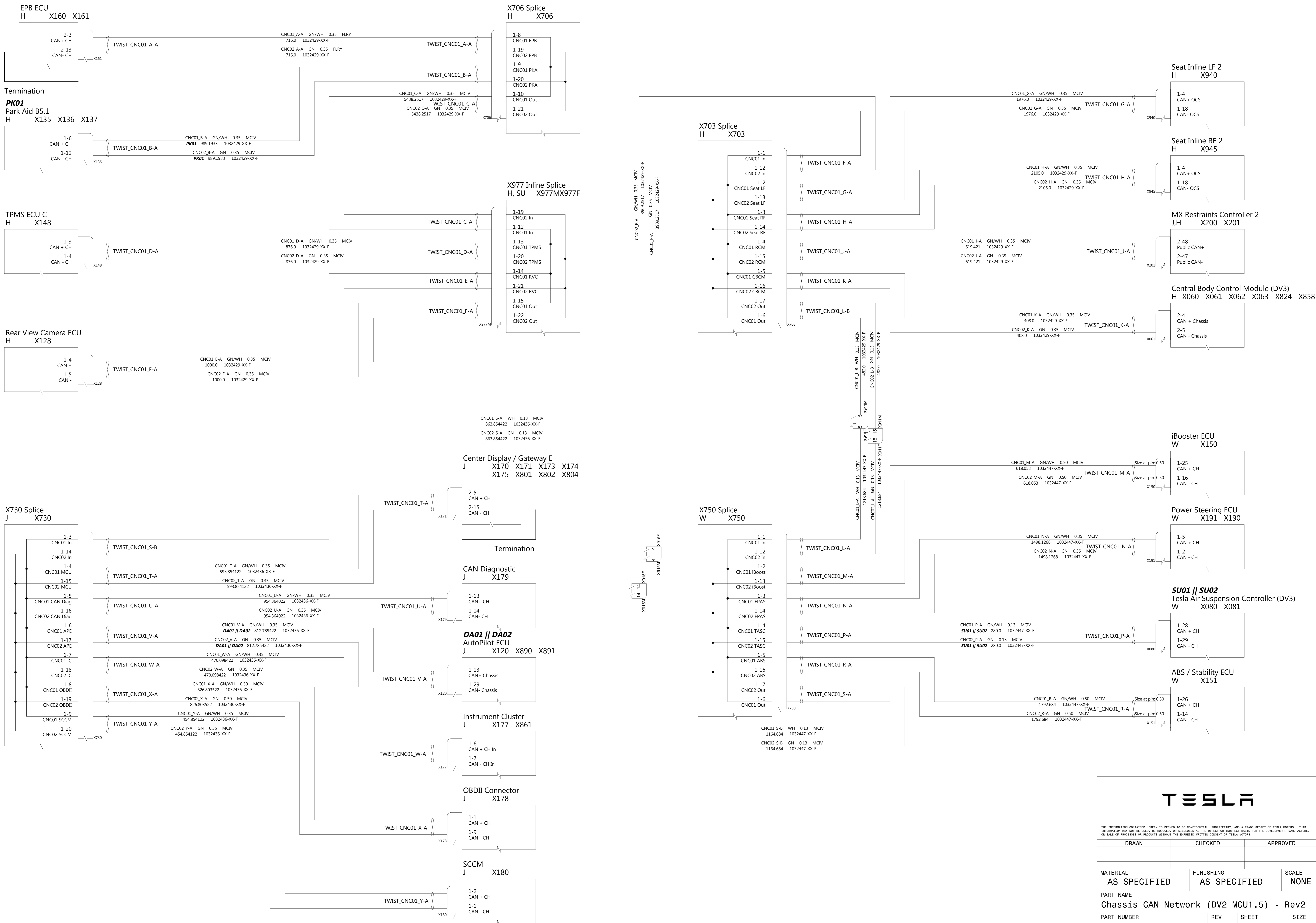


X977 Inline Splice H, SU
X977MX977F



THE INFORMATION CONTAINED HEREIN IS DEEMED TO BE CONFIDENTIAL, PROPRIETARY, AND A TRADE SECRET OF TESLA MOTORS. THIS INFORMATION MAY NOT BE USED, REPRODUCED, OR DISCLOSED AS THE DIRECT OR INDIRECT BASIS FOR THE DEVELOPMENT, MANUFACTURE, OR SALE OF PROCESSES OR PRODUCTS WITHOUT THE EXPRESSED WRITTEN CONSENT OF TESLA MOTORS.

DRAWN	CHECKED	APPROVED
MATERIAL AS SPECIFIED	FINISHING AS SPECIFIED	SCALE NONE
PART NAME Body CAN Network		
PART NUMBER	REV	SHEET
	2	6 OF 66
		SIZE A0



THE INFORMATION CONTAINED HEREIN IS DEEMED TO BE CONFIDENTIAL, PROPRIETARY, AND A TRADE SECRET OF TESLA MOTORS. THIS INFORMATION MAY NOT BE USED, REPRODUCED, OR DISCLOSED AS THE DIRECT OR INDIRECT BASIS FOR THE DEVELOPMENT, MANUFACTURE, OR SALE OF PROCESSES OR PRODUCTS WITHOUT THE EXPRESS WRITTEN CONSENT OF TESLA MOTORS.

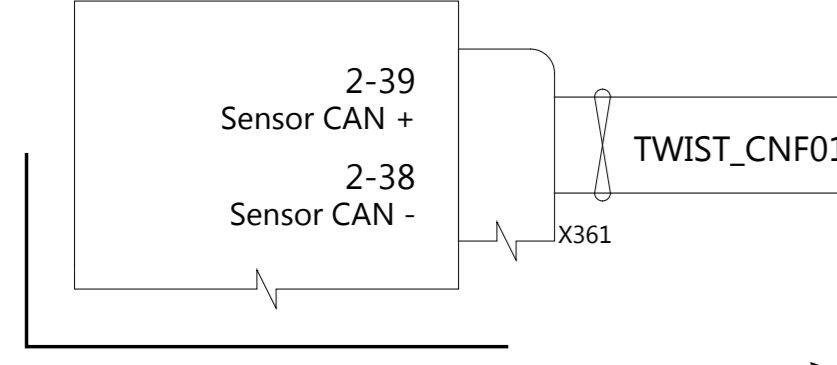
DRAWN	CHECKED	APPROVED
-------	---------	----------

MATERIAL AS SPECIFIED	FINISHING AS SPECIFIED	SCALE NONE
--------------------------	---------------------------	---------------

PART NAME
Chassis CAN Network (DV2 MCU1.5) - Rev2

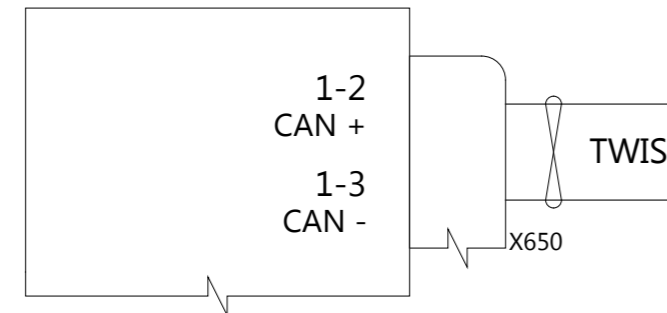
PART NUMBER	REV	SHEET	SIZE
	1	7 OF 66	A0

Door Control Module LF (DV3)
D X360 X361 X362 X363



Termination

Capacitive Sensor Upper - LR
RU X650



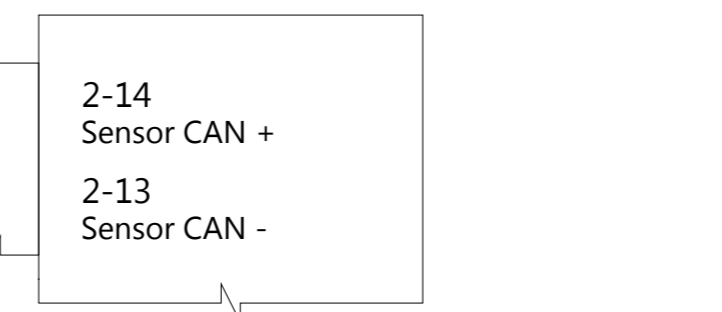
Ultrasonic Sensor ECU LR Door Valeo
RL X446 X447



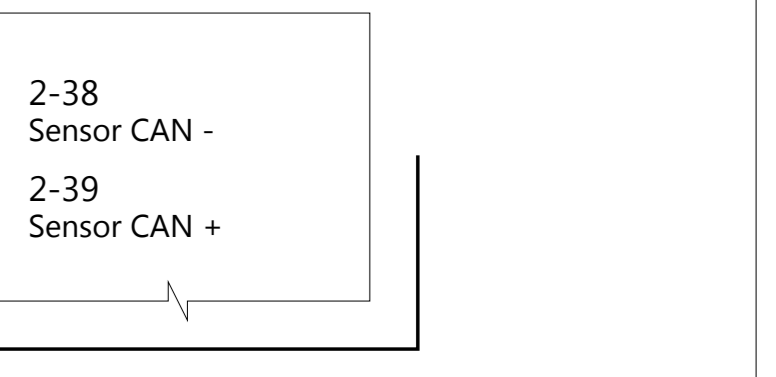
Capacitive Sensor Lower - LR
RL X652



Door Control Module LR (DV3)
RL,RT X420 X421 X423

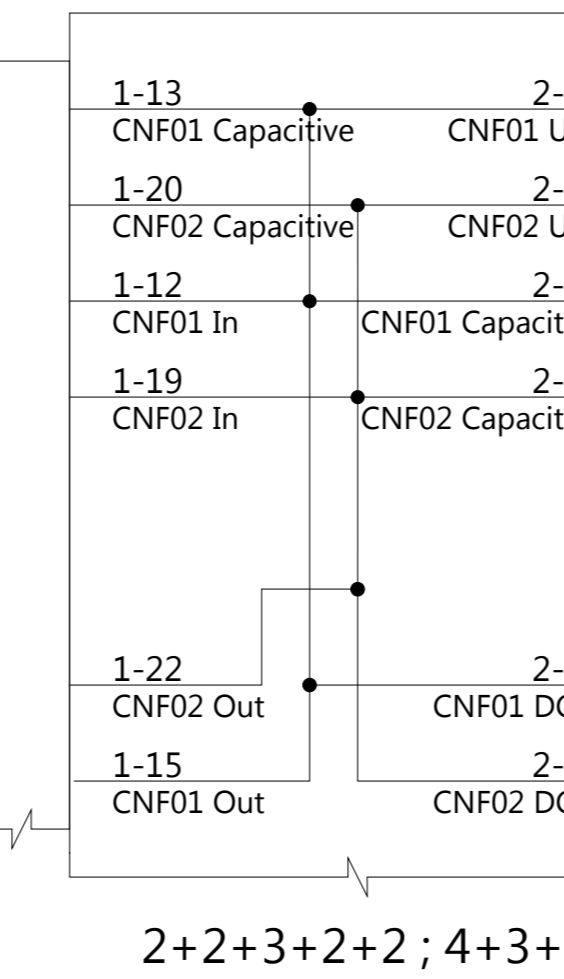


Door Control Module RF (DV3)
P X390 X391 X392 X393

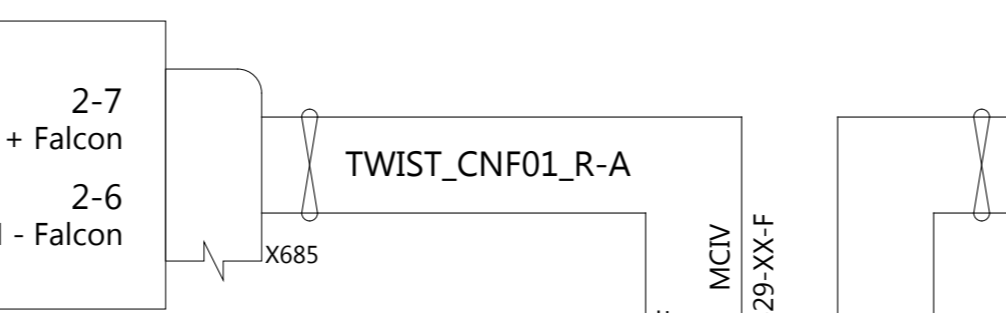


Termination

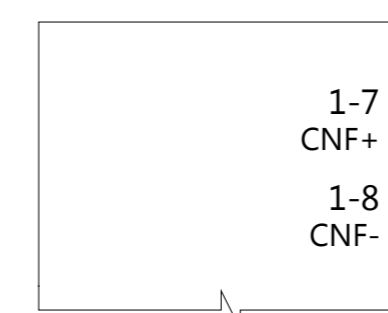
X972 Inline Splice
RU,RL X972MX972F



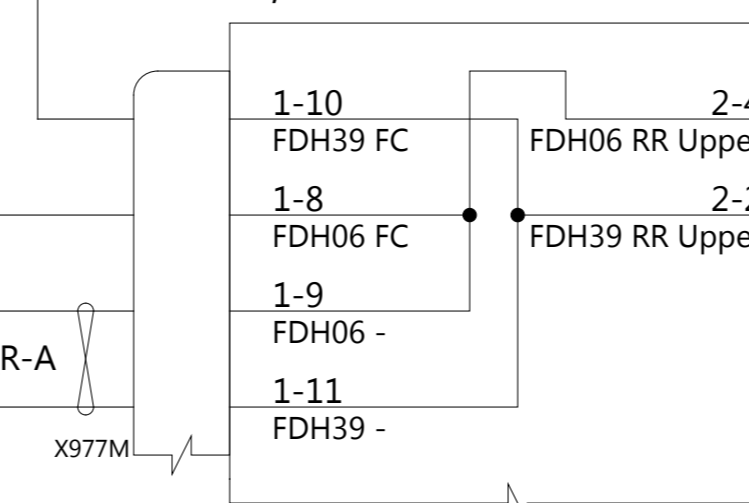
Falcon Controller Rear
H X682 X685 X674 X675 X676 X677 X683



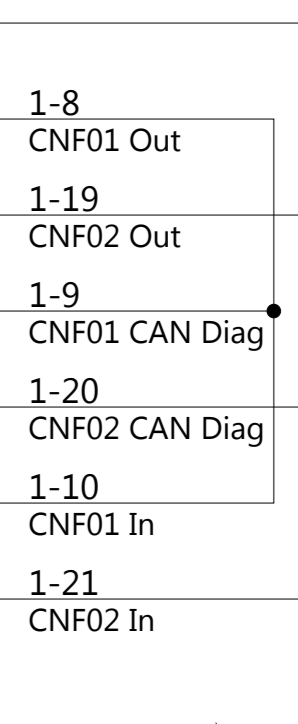
CAN Diagnostic
J X179



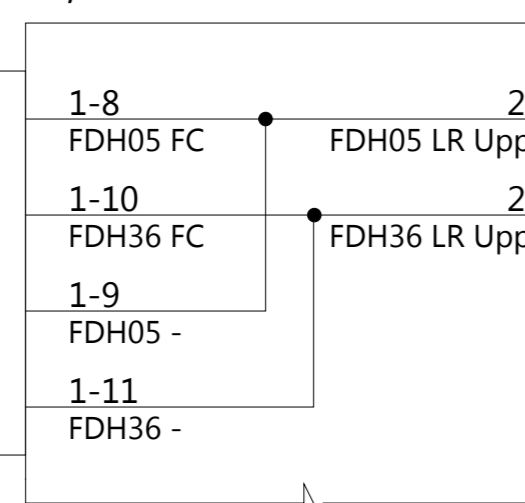
X977 Inline Splice
H, SU X977MX977F



X701 Splice
H X701



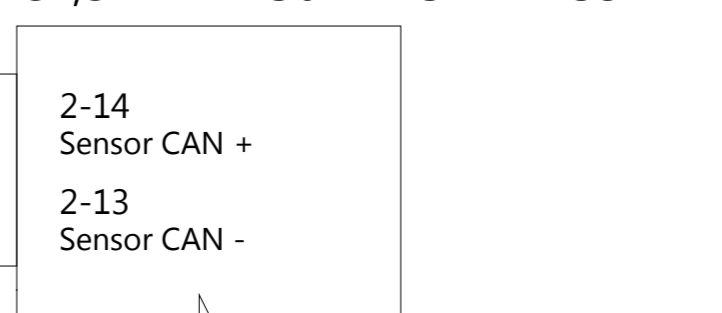
X976 Inline Splice
H, RU X976MX976F



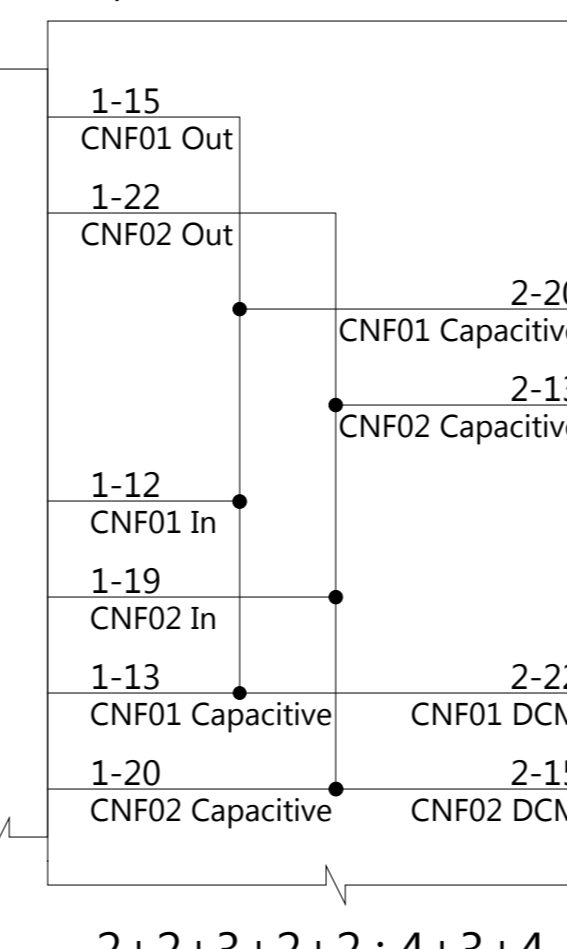
Capacitive Sensor Lower - RR
SL X662



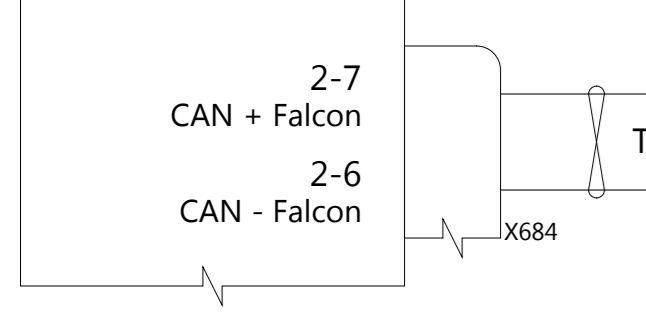
Door Control Module RR (DV3)
SL,ST X450 X451 X453



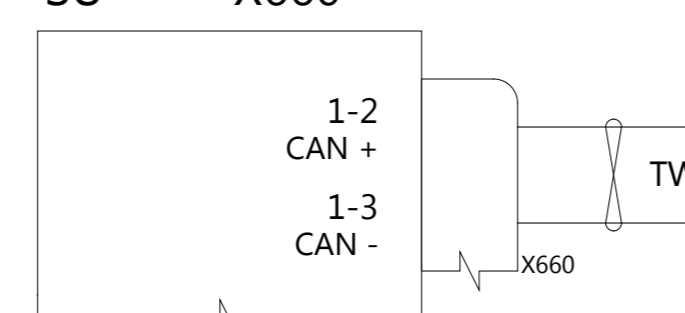
X974 Inline Splice
SU,SL X974MX974F



Falcon Controller Front
H X680 X684 X670 X671 X672 X673 X681



Capacitive Sensor Upper - RR
SU X660

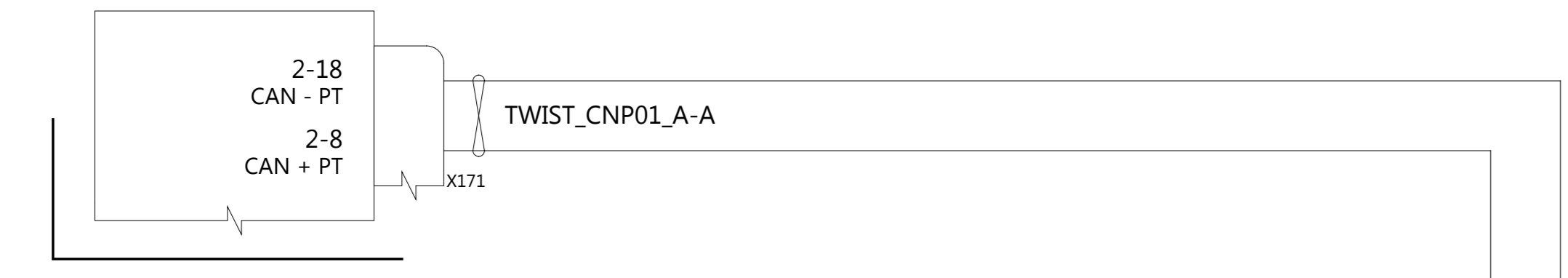


TESLA

THE INFORMATION CONTAINED HEREIN IS DEEMED TO BE CONFIDENTIAL, PROPRIETARY, AND A TRADE SECRET OF TESLA MOTORS. THIS INFORMATION MAY NOT BE USED, REPRODUCED, OR DISCLOSED IN ANY MANNER WITHOUT THE EXPRESS WRITTEN CONSENT OF TESLA MOTORS.

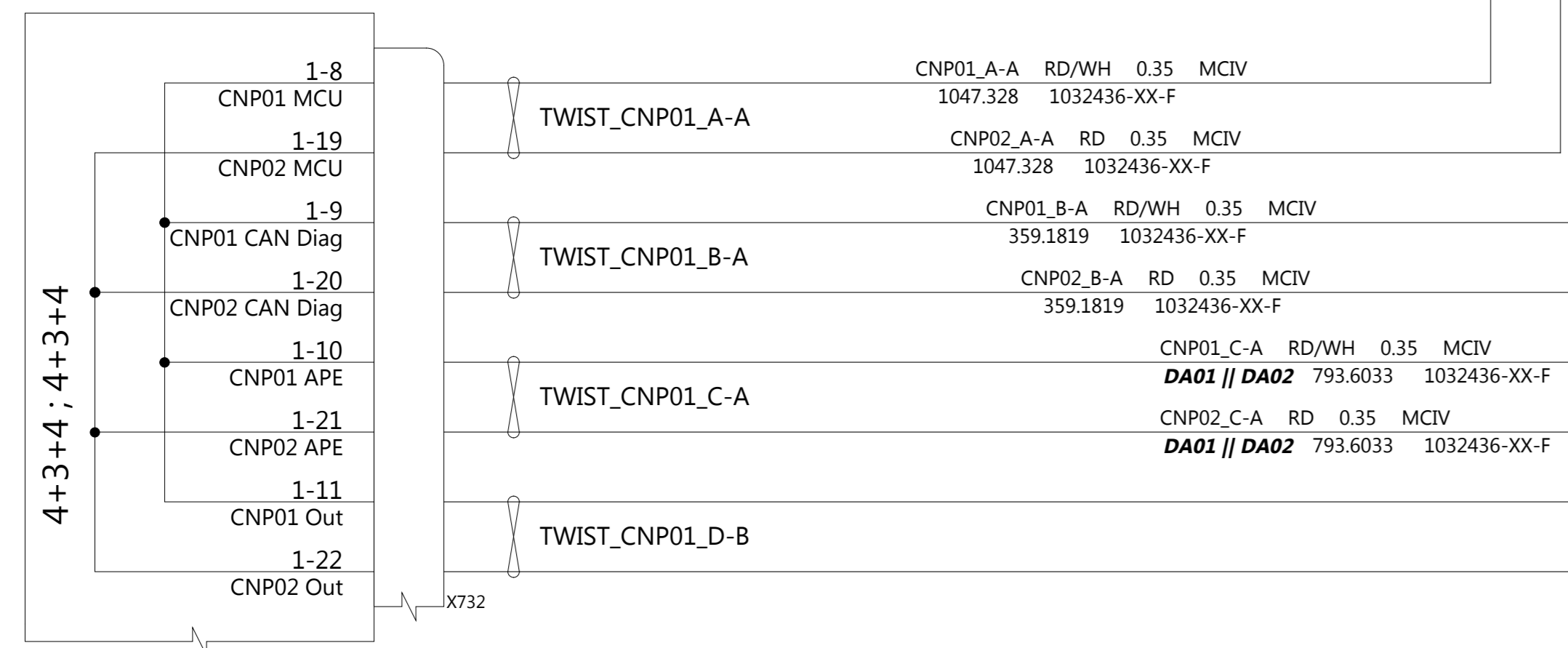
DRAWN		CHECKED		APPROVED	
MATERIAL AS SPECIFIED		FINISHING AS SPECIFIED		SCALE NONE	
PART NAME Falcon Sensing					
PART NUMBER	REV	SHEET	OF		SIZE
	2	1	OF 1		A0

Center Display / Gateway E
J X170 X171 X173 X174 X175

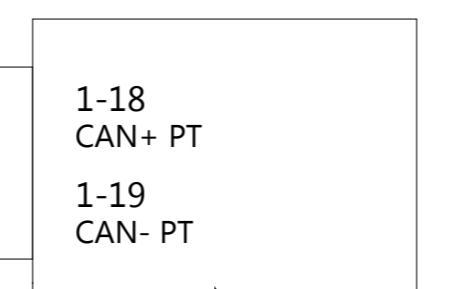


Termination

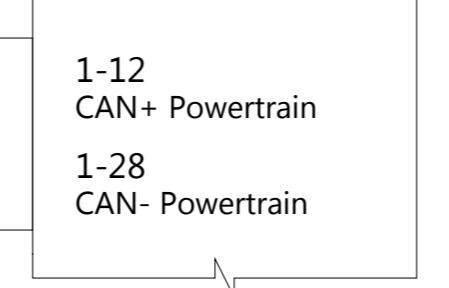
X732 Splice
J X732



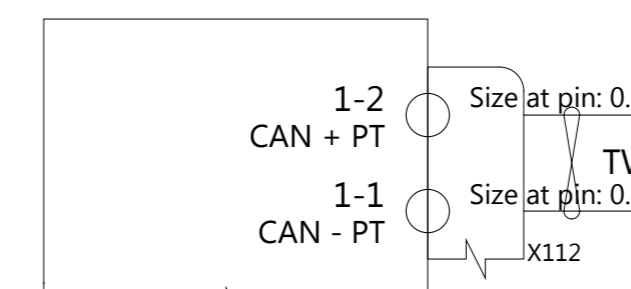
CAN Diagnostic
J X179



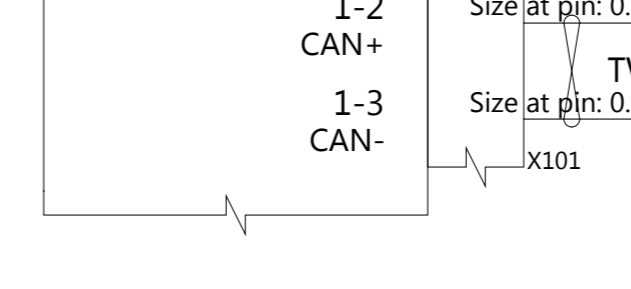
DA01 // DA02
AutoPilot ECU
J X120 X890 X891



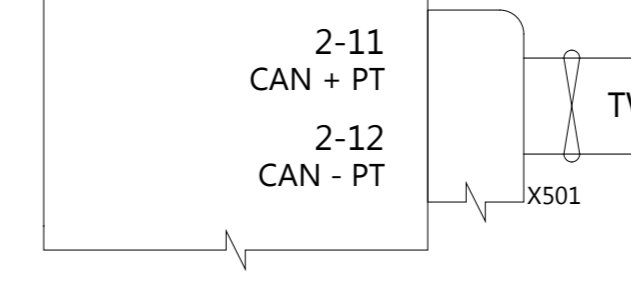
DV4W
Drive Inverter Front AWD
W X112



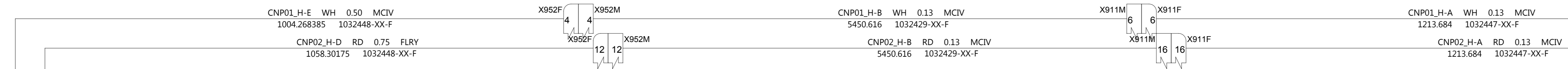
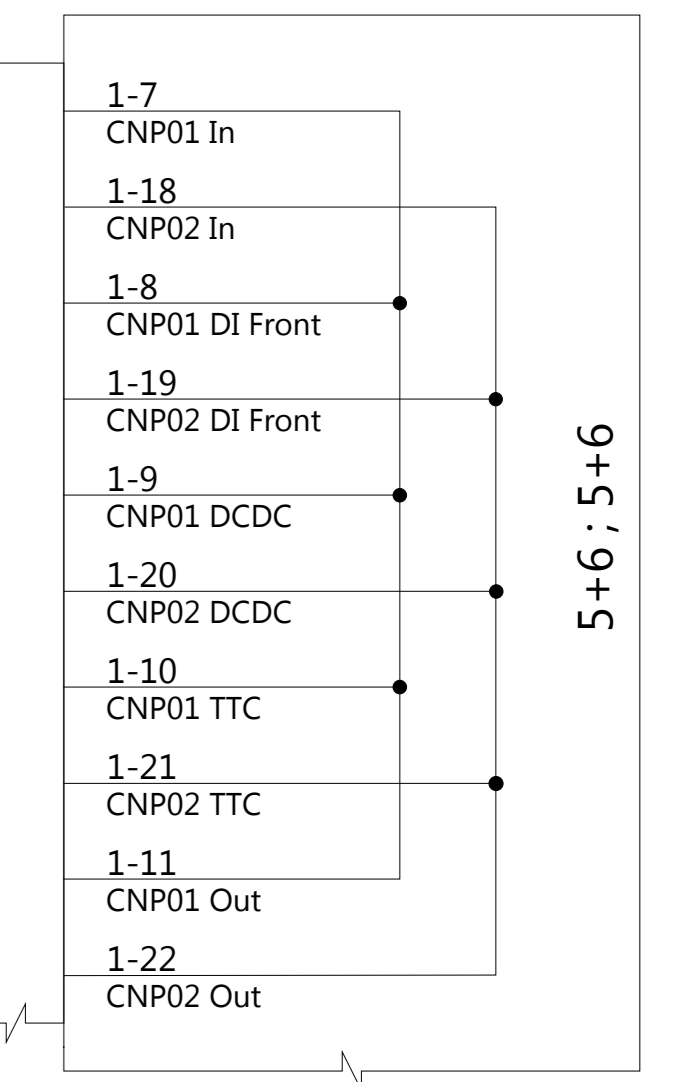
DCDC
W X101 X017 X018



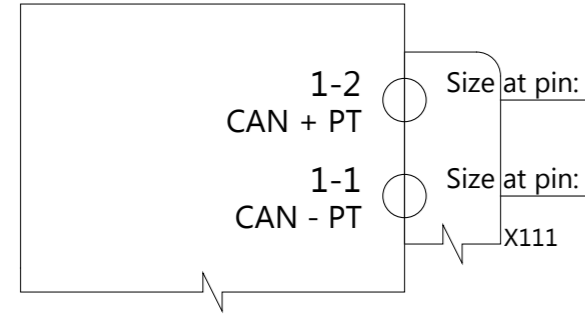
Tesla Thermal Controller
W X500 X501 X502 X503



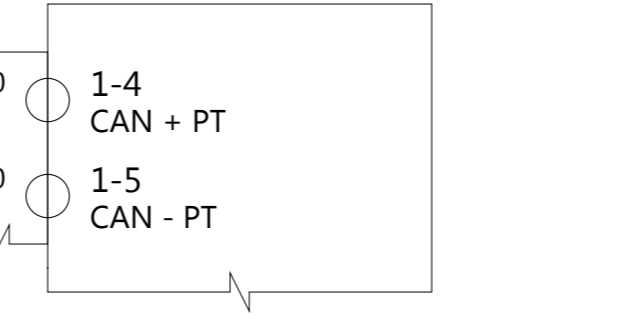
X750 Splice
W X750



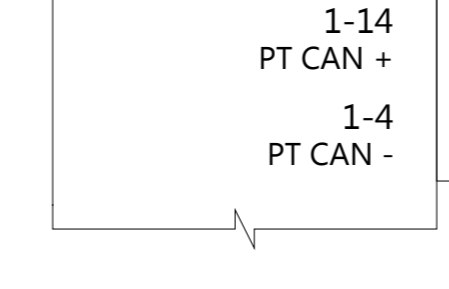
X025
Drive Inverter Rear AWD
X X111



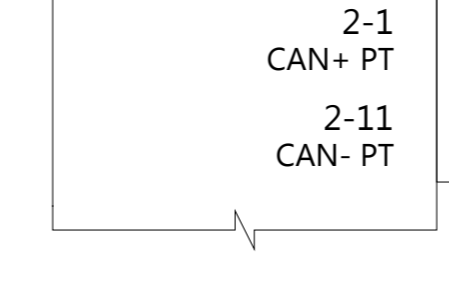
X024
Drive Inverter Rear RWD
X X110



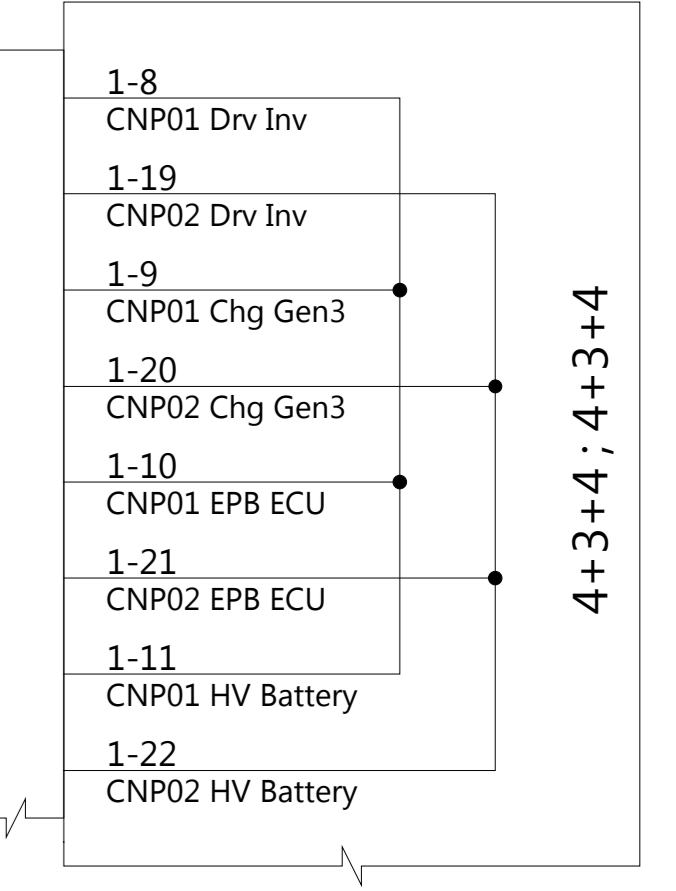
Charger Gen3
H X090



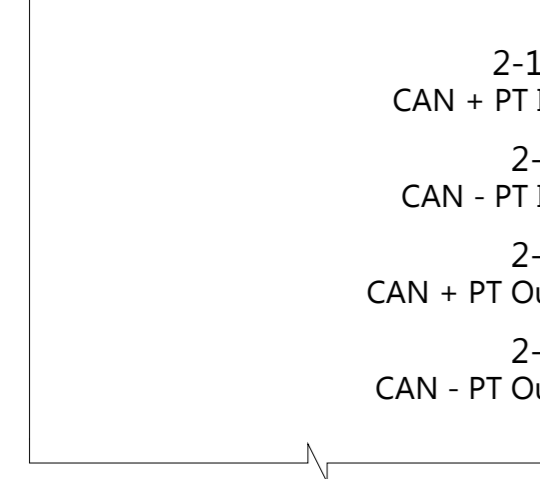
EPB ECU
H X160 X161



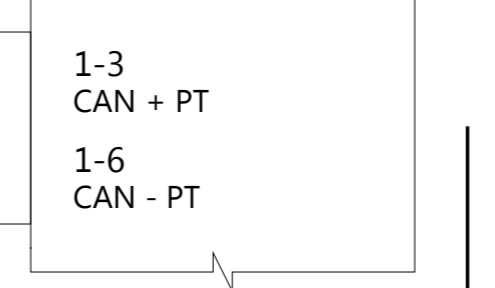
X702 Splice
H X702



HV Battery
H X098 X099



Charge Port Logic
H X105



Termination

TESLA

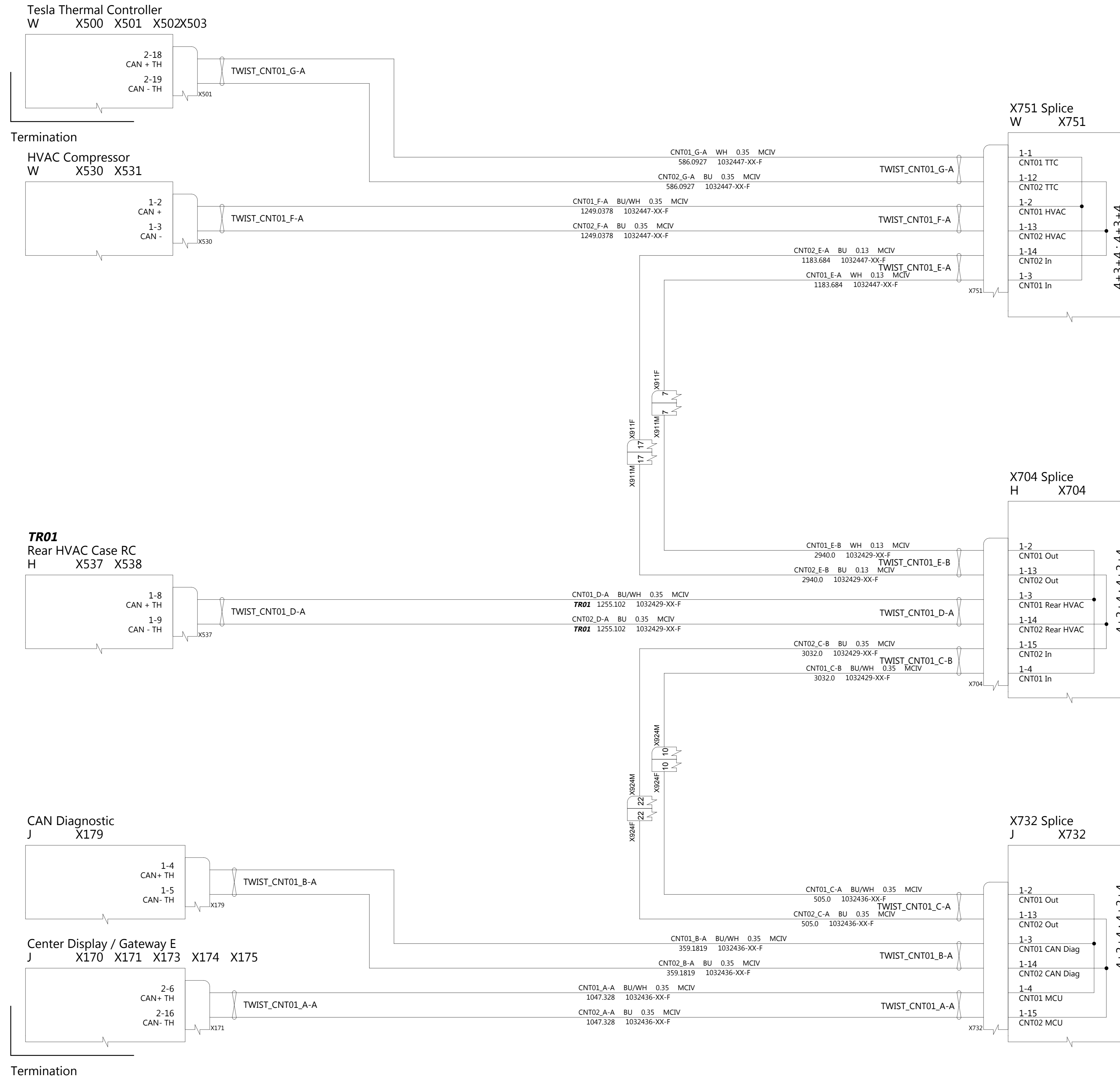
THE INFORMATION CONTAINED HEREIN IS DEEMED TO BE CONFIDENTIAL, PROPRIETARY, AND A TRADE SECRET OF TESLA MOTORS. THIS INFORMATION MAY NOT BE USED, REPRODUCED, OR DISCLOSED AS THE DIRECT OR INDIRECT BASIS FOR THE DEVELOPMENT, MANUFACTURE, OR SALE OF PROCESSES OR PRODUCTS WITHOUT THE EXPRESSED WRITTEN CONSENT OF TESLA MOTORS.

DRAWN	CHECKED	APPROVED
-------	---------	----------

MATERIAL AS SPECIFIED	FINISHING AS SPECIFIED	SCALE NONE
--------------------------	---------------------------	---------------

PART NAME
Powertrain CAN Network (MCU1.5) - Rev2 U

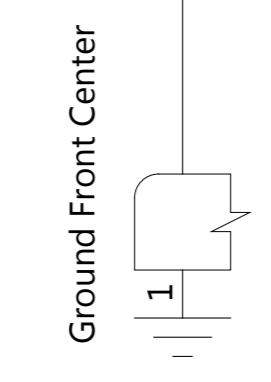
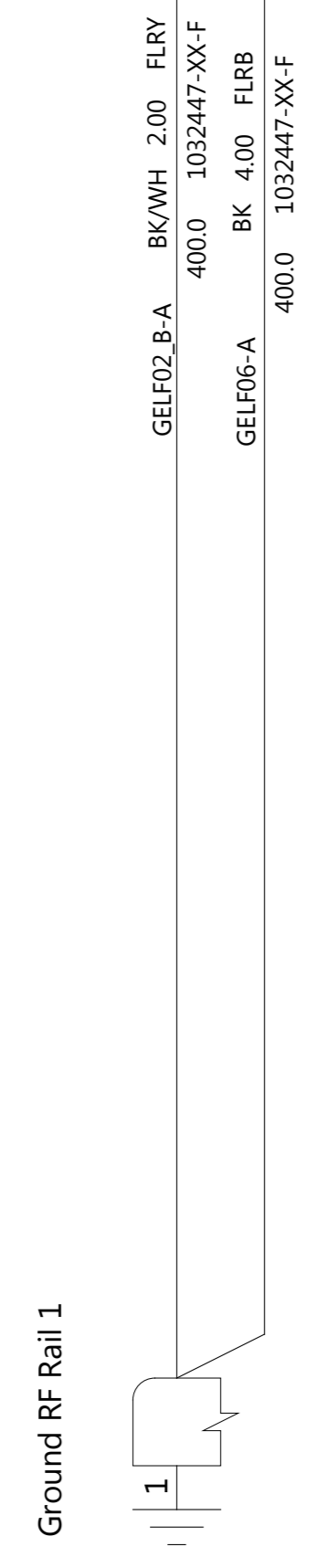
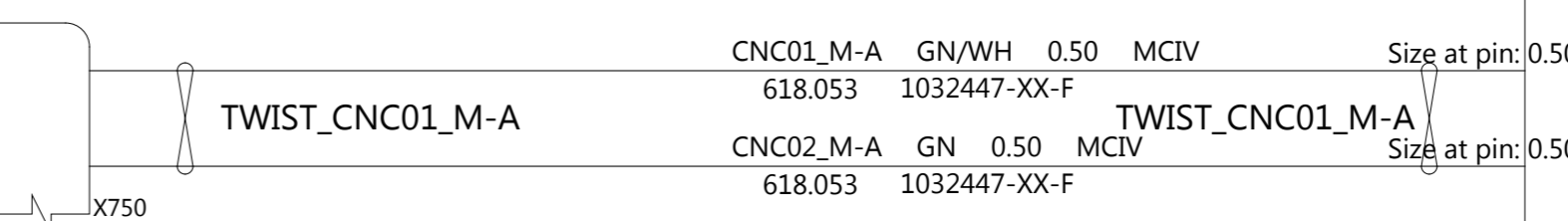
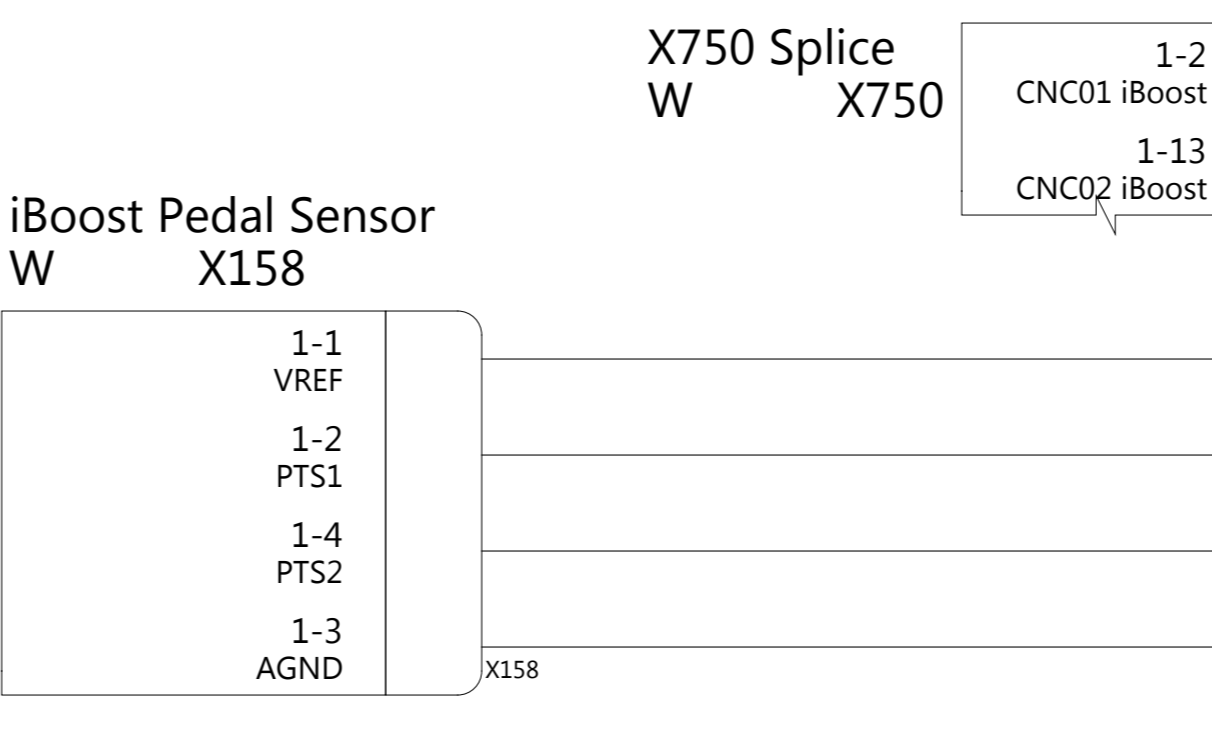
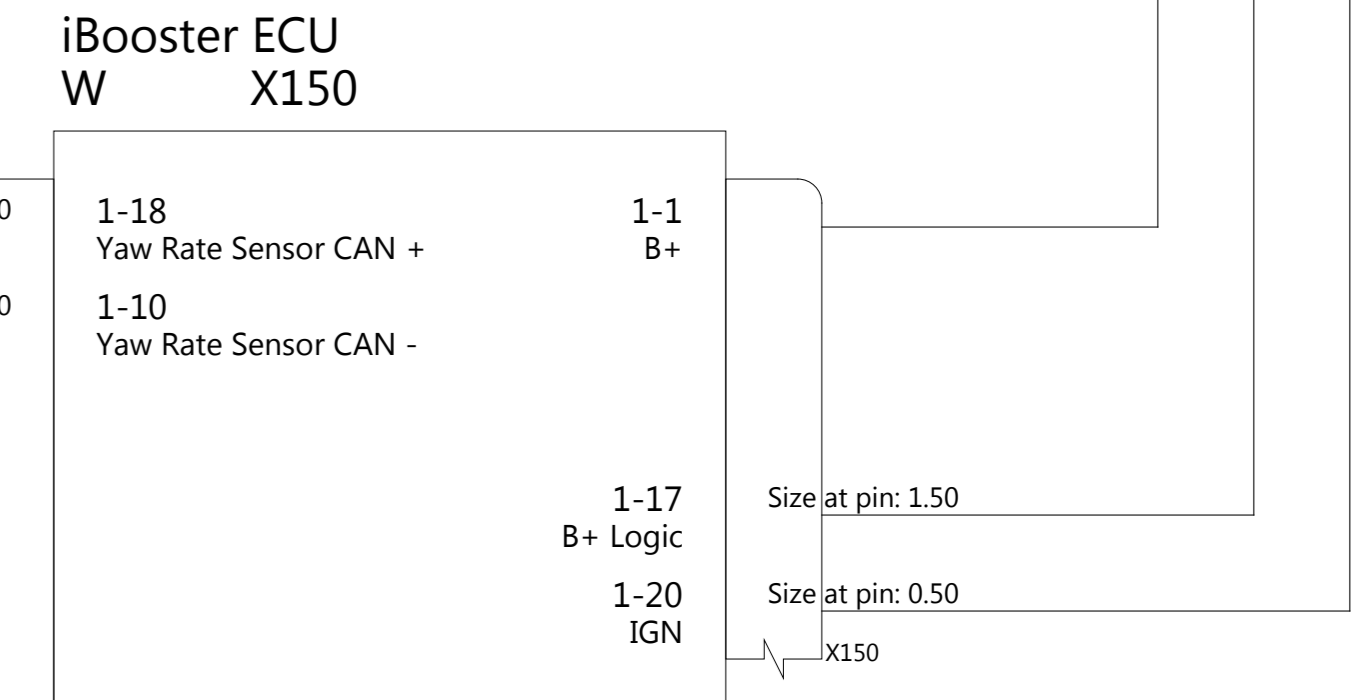
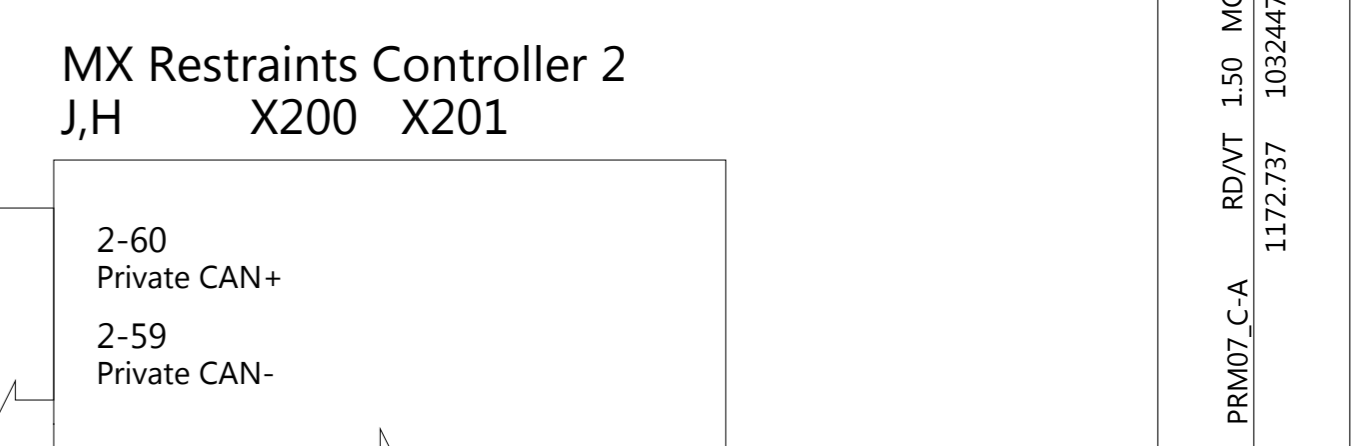
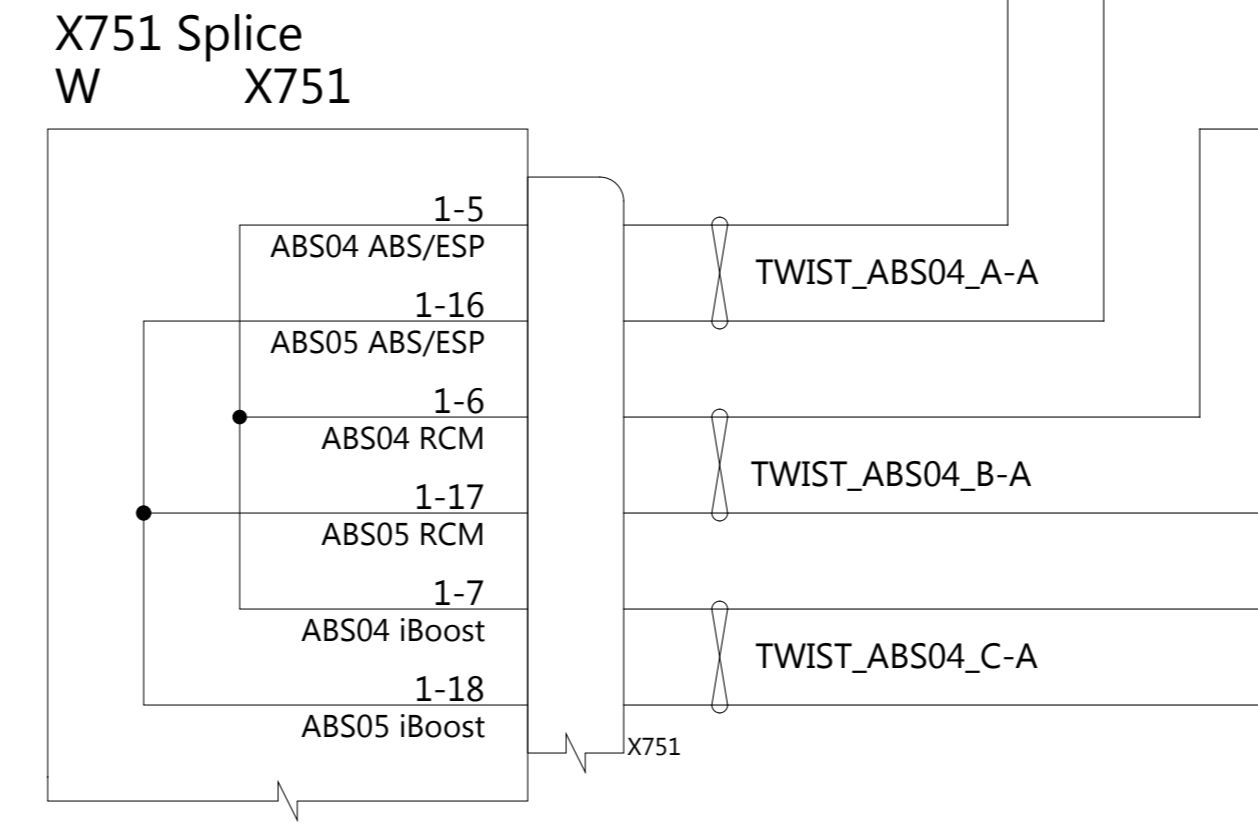
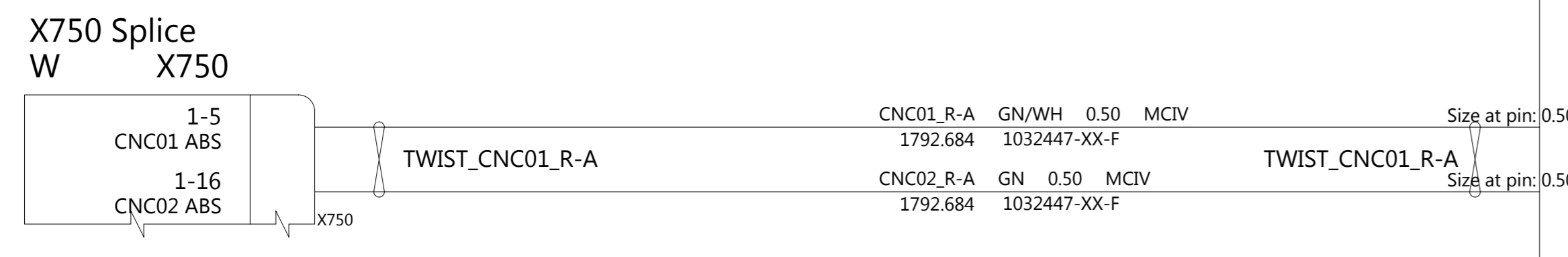
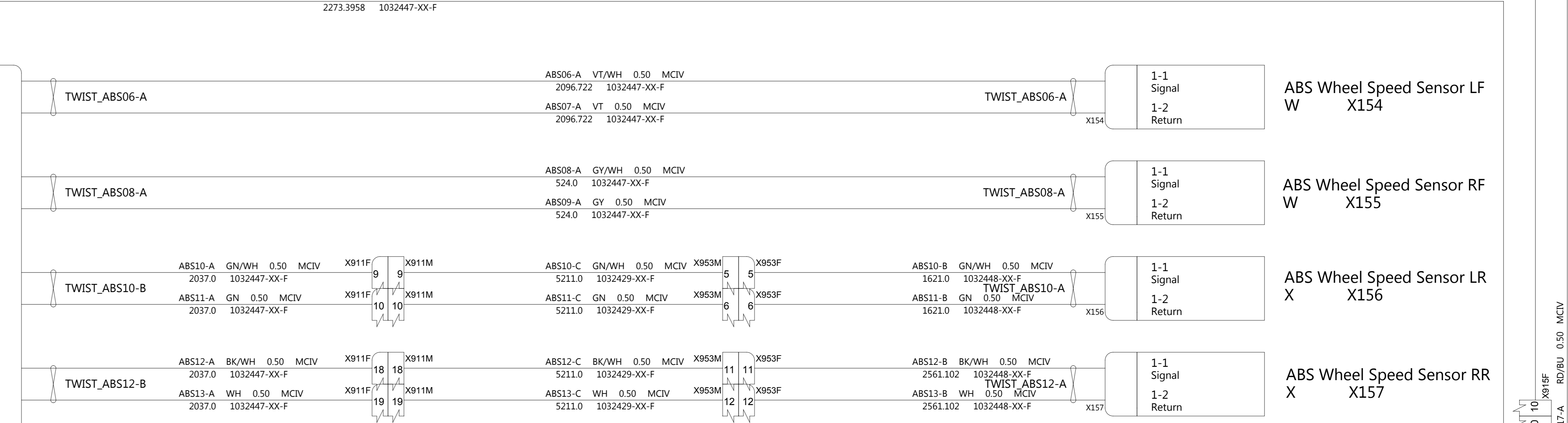
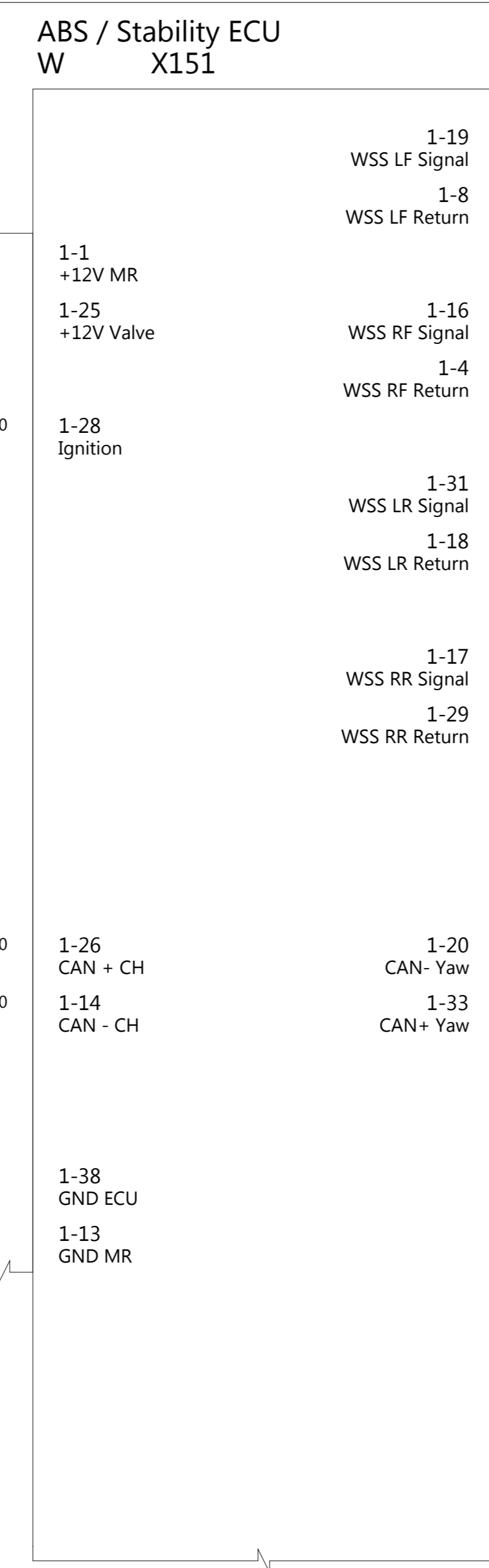
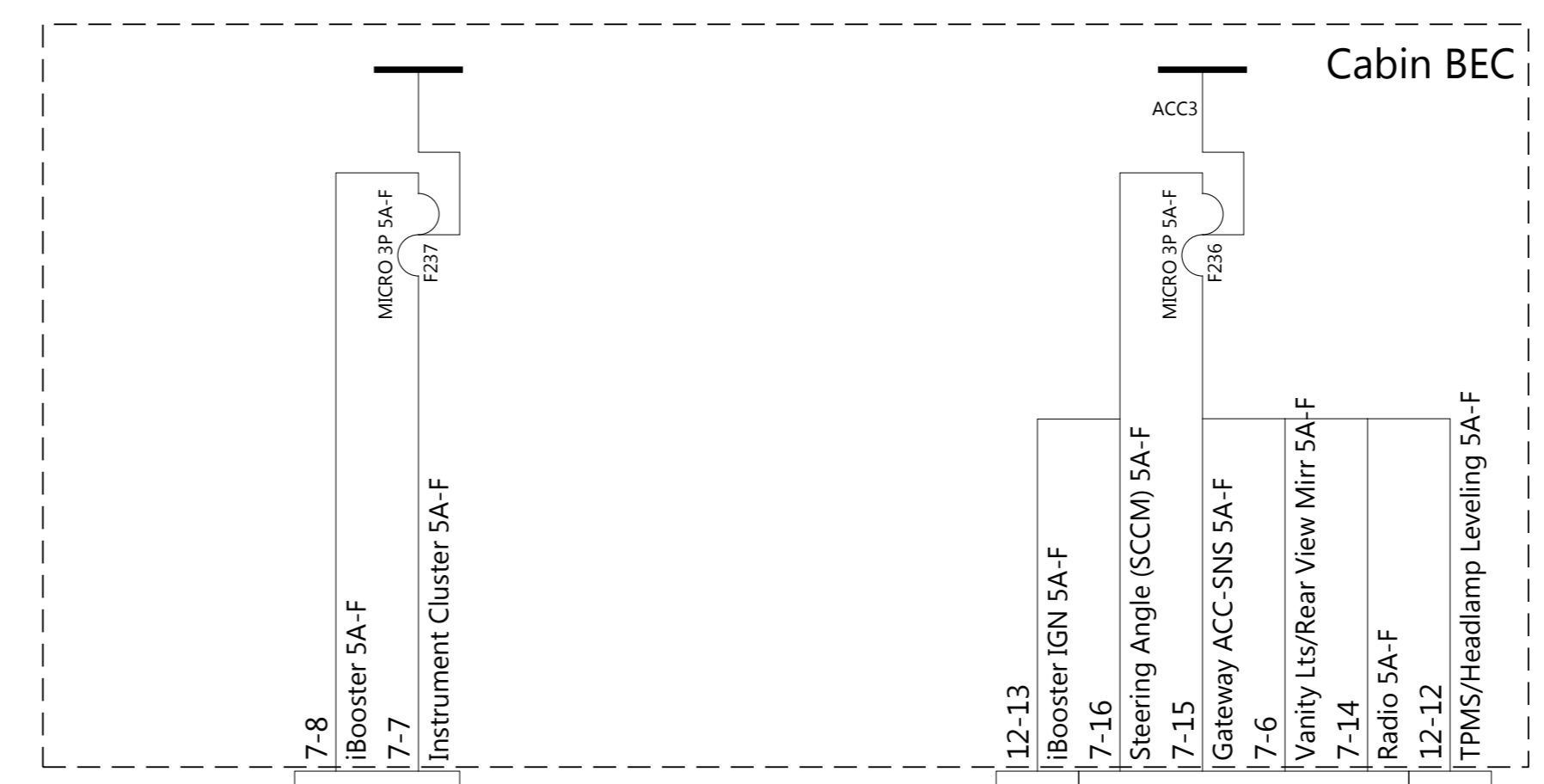
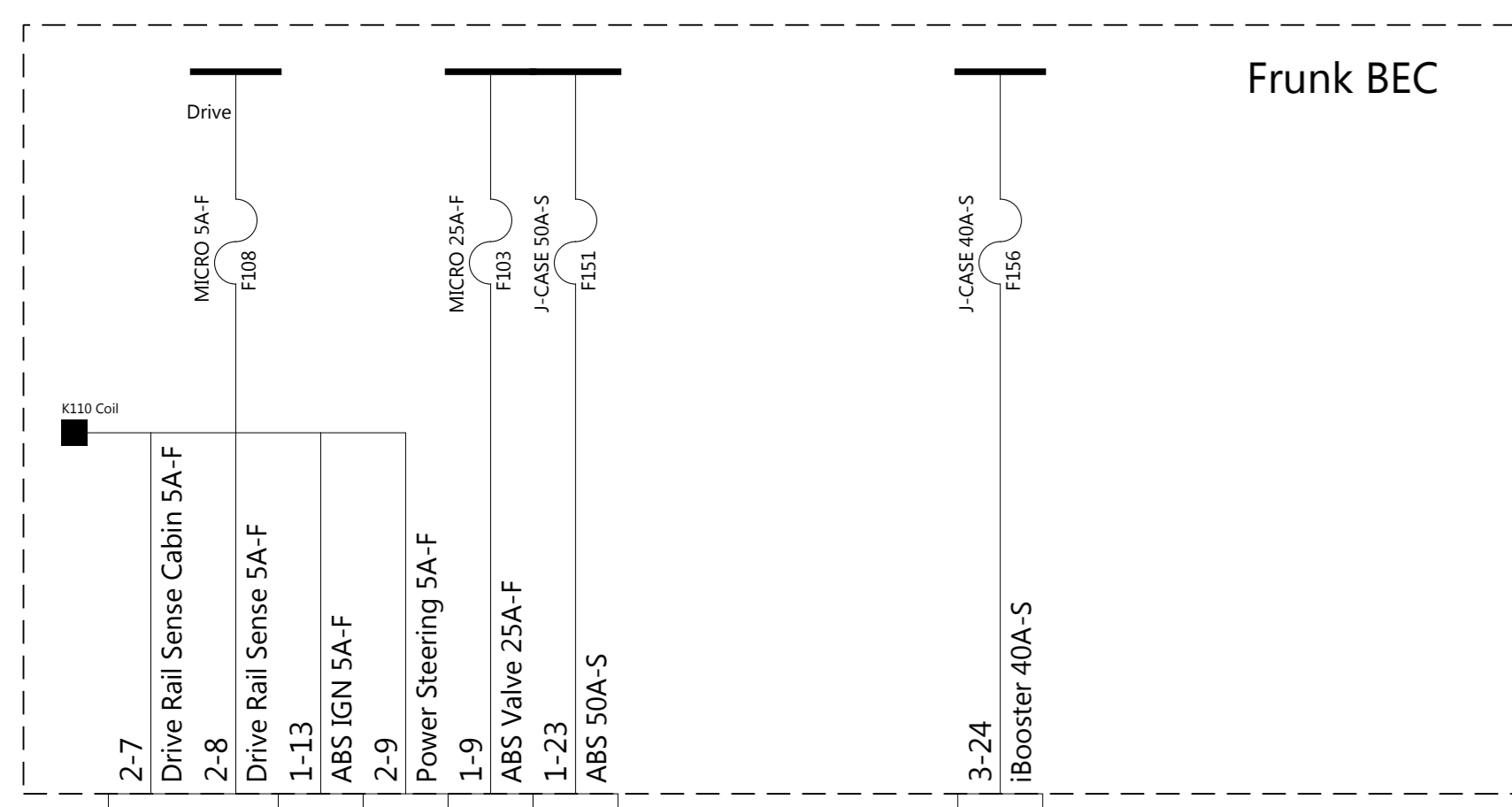
PART NUMBER	REV	SHEET	SIZE
	1	9 OF 66	A0



TESLA

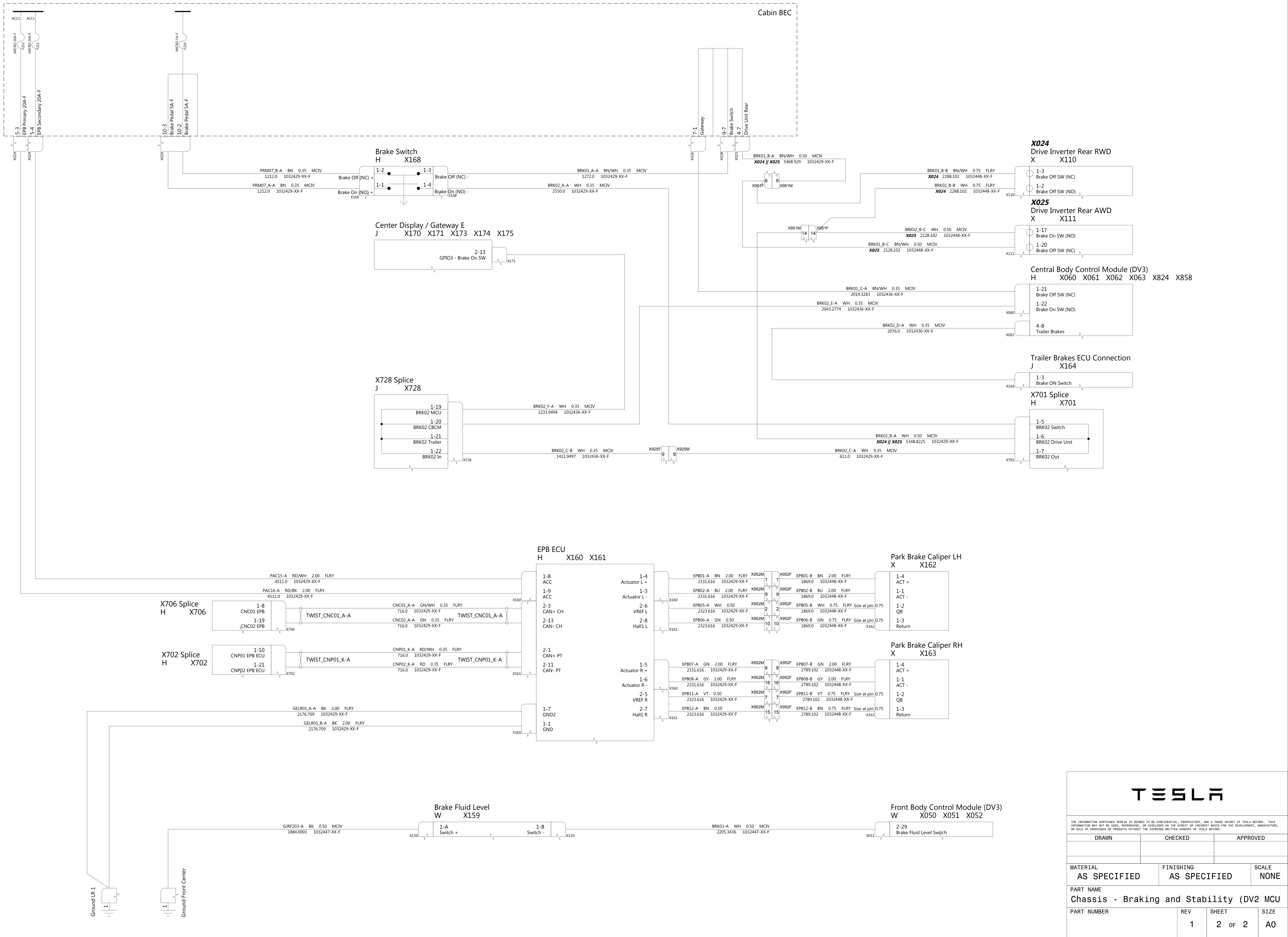
THE INFORMATION CONTAINED HEREIN IS DEEMED TO BE CONFIDENTIAL, PROPRIETARY, AND A TRADE SECRET OF TESLA MOTORS. THIS INFORMATION MAY NOT BE USED, REPRODUCED, OR DISCLOSED AS THE DIRECT OR INDIRECT BASIS FOR THE DEVELOPMENT, MANUFACTURE, OR SALE OF PROCESSES OR PRODUCTS WITHOUT THE EXPRESSED WRITTEN CONSENT OF TESLA MOTORS.

DRAWN	CHECKED	APPROVED
MATERIAL AS SPECIFIED	FINISHING AS SPECIFIED	SCALE NONE
PART NAME CAN Thermal (MCU1.5)		
PART NUMBER	REV	SHEET
	1	1 OF 1
		SIZE A0



THE INFORMATION CONTAINED HEREIN IS DEEMED TO BE CONFIDENTIAL, PROPRIETARY, AND A TRADE SECRET OF TESLA MOTORS. THIS INFORMATION MAY NOT BE USED, REPRODUCED, OR DISCLOSED AS THE DIRECT OR INDIRECT BASIS FOR THE DEVELOPMENT, MANUFACTURE, OR SALE OF PRODUCTS OR SERVICES WITHOUT THE EXPRESS WRITTEN CONSENT OF TESLA MOTORS.

DRAWN	CHECKED	APPROVED
MATERIAL AS SPECIFIED	FINISHING AS SPECIFIED	SCALE NONE
PART NAME Chassis - Braking and Stability (DV2 MCU)		
PART NUMBER	REV	SHEET
	1	11 OF 66
		SIZE A0



TESLA

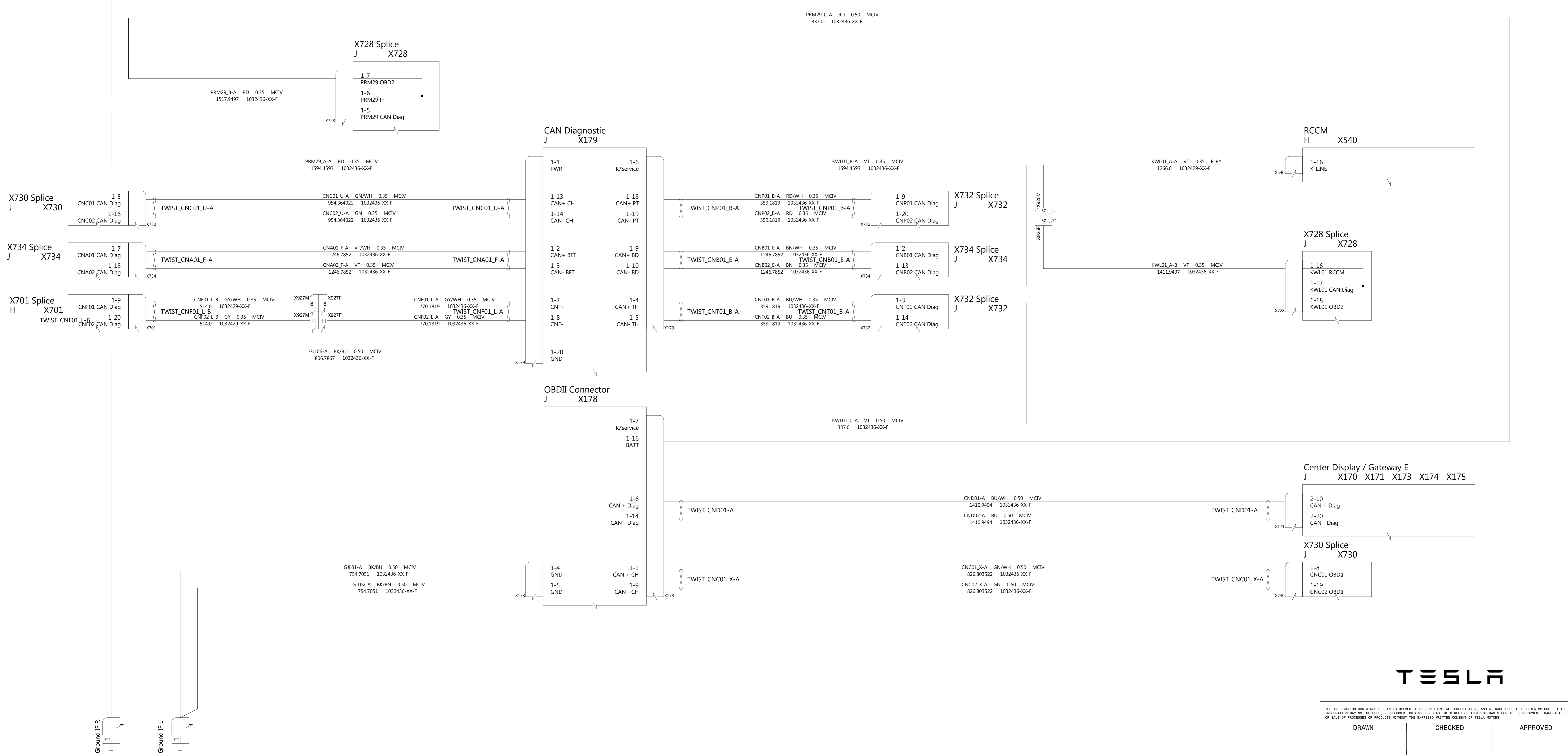
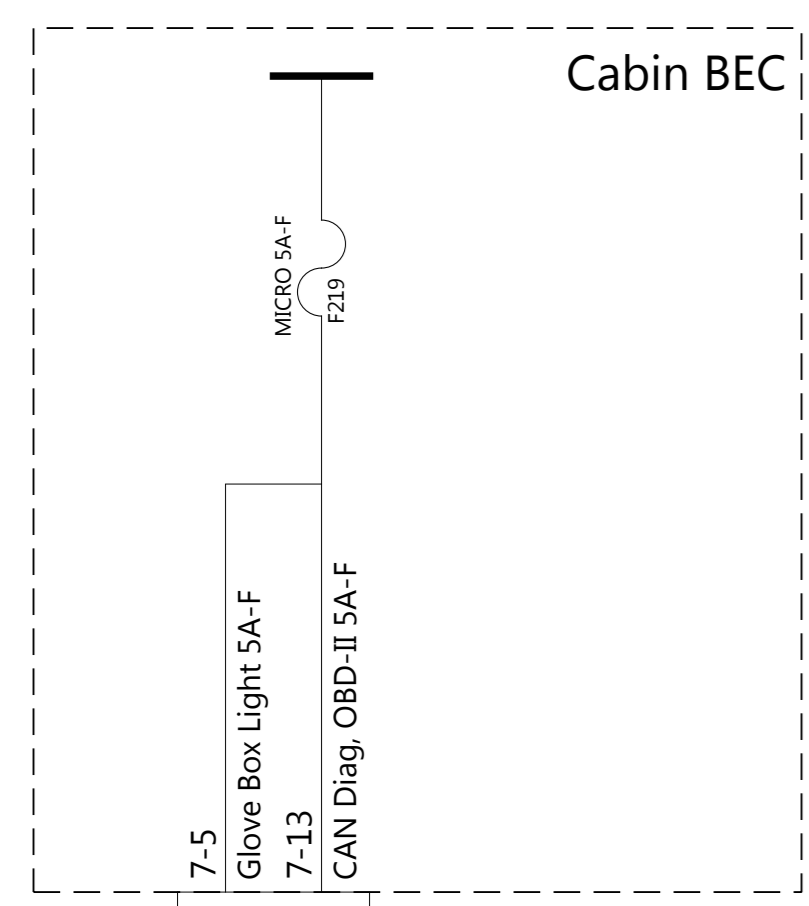
THE INFORMATION CONTAINED HEREIN IS DEEMED TO BE CONFIDENTIAL, PROPRIETARY, AND A TRADE SECRET OF TESLA MOTORS. THIS INFORMATION MAY NOT BE USED, REPRODUCED, OR DISCLOSED AS THE DIRECT OR INDIRECT BASIS FOR THE DEVELOPMENT, MANUFACTURE, OR SALE OF PROCESSES OR PRODUCTS WITHOUT THE EXPRESSED WRITTEN CONSENT OF TESLA MOTORS.

DRAWN	CHECKED	APPROVED
-------	---------	----------

MATERIAL AS SPECIFIED	FINISHING AS SPECIFIED	SCALE NONE
--------------------------	---------------------------	---------------

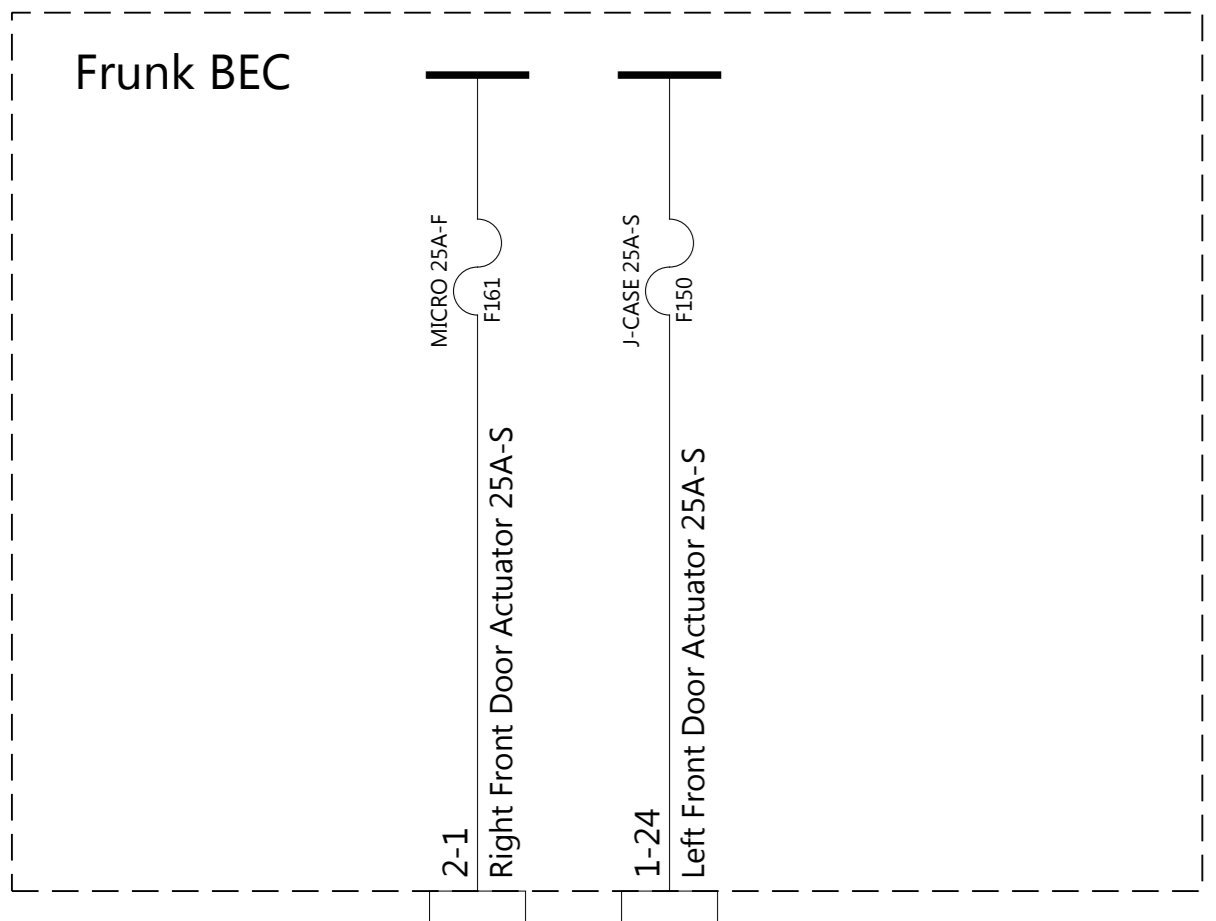
PART NAME
Chassis - Braking and Stability (DV2 MCU)

PART NUMBER	REV	SHEET	SIZE
	1	2 OF 2	A0

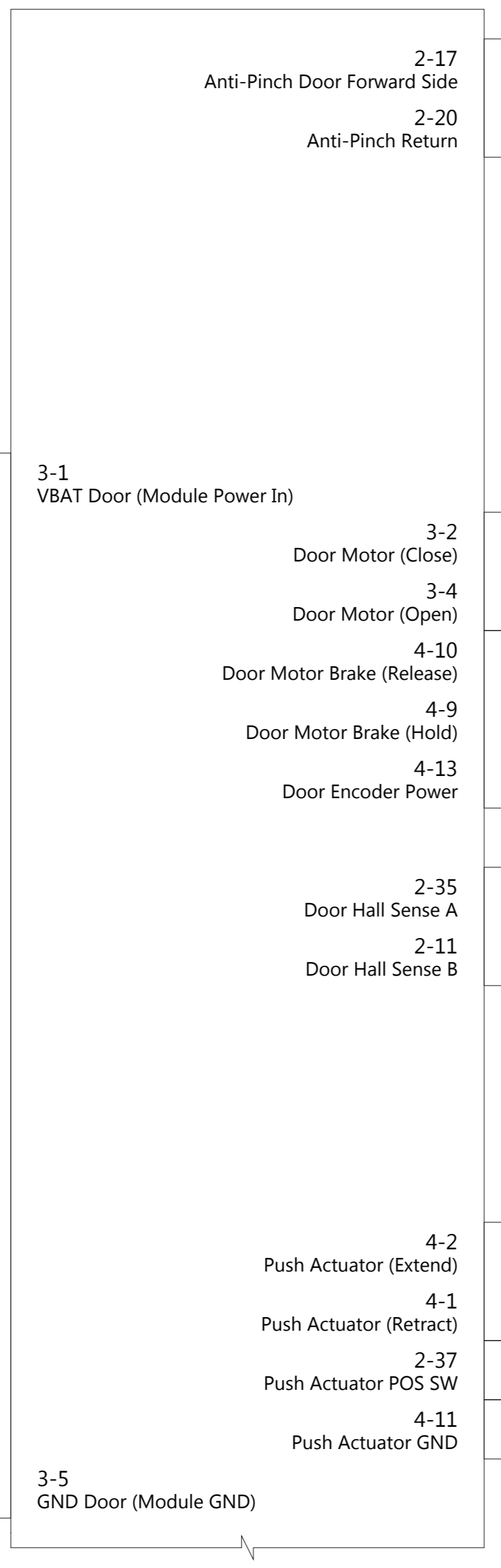


THE INFORMATION CONTAINED HEREIN IS DEEMED TO BE CONFIDENTIAL, PROPRIETARY, AND A TRADE SECRET OF TESLA MOTORS. THIS INFORMATION MAY NOT BE USED, REPRODUCED, OR DISCLOSED AS THE DIRECT OR INDIRECT BASIS FOR THE DEVELOPMENT, MANUFACTURE, OR SALE OF PROCESSES OR PRODUCTS WITHOUT THE EXPRESS WRITTEN CONSENT OF TESLA MOTORS.

DRAWN	CHECKED	APPROVED
MATERIAL AS SPECIFIED	FINISHING AS SPECIFIED	SCALE NONE
PART NAME Diagnostics MCU1.5 - Rev2 Updated Diag P		
PART NUMBER	REV	SHEET
	1	13 of 66
		SIZE A0



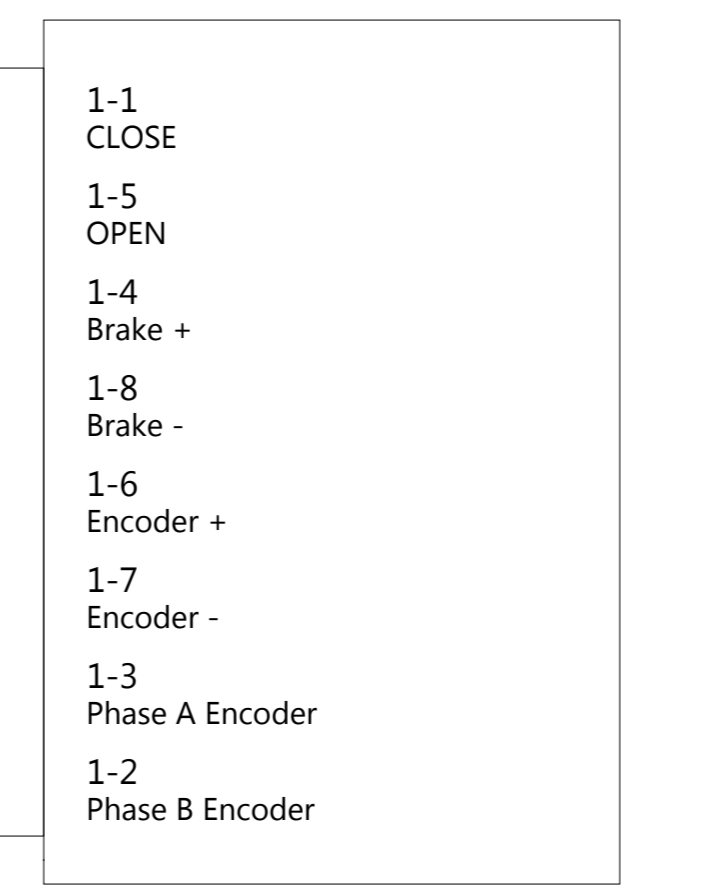
Door Control Module LF (DV3)
D X360 X361 X362 X363



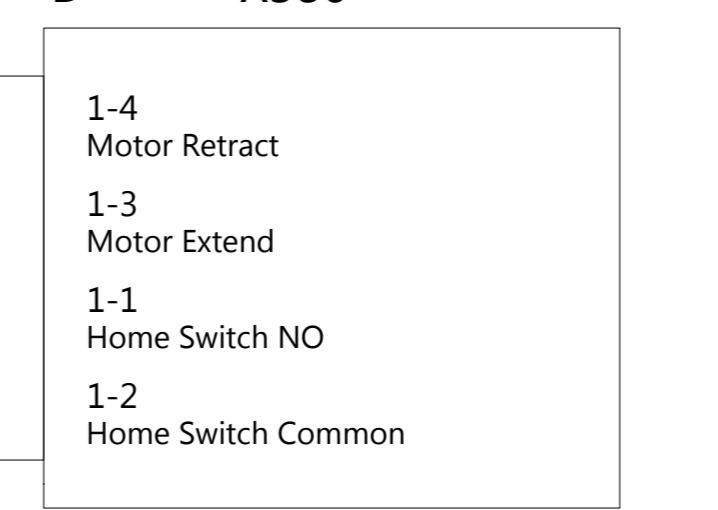
Power Door Pinch Sensor LF
D X387



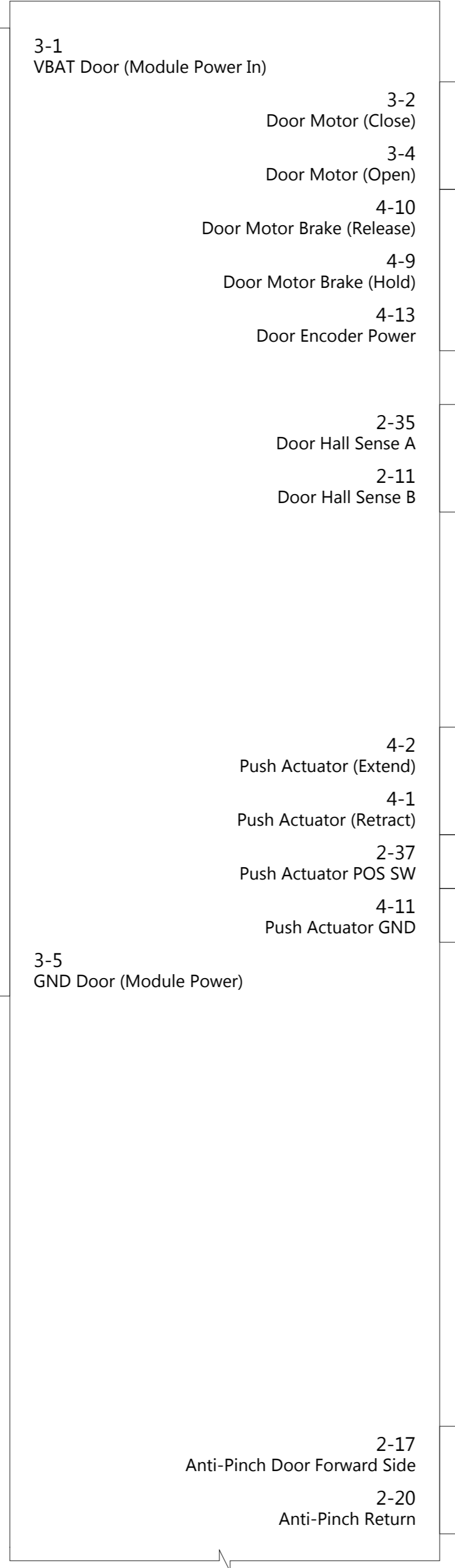
Power Door Drive Unit LF
D X385



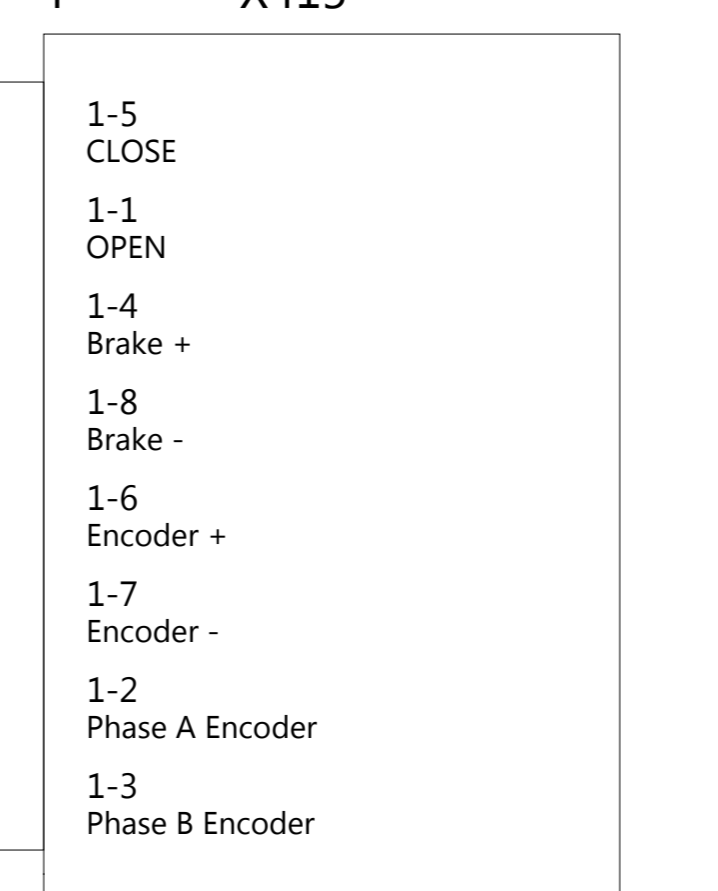
Power Door Push-Open LF
D X386



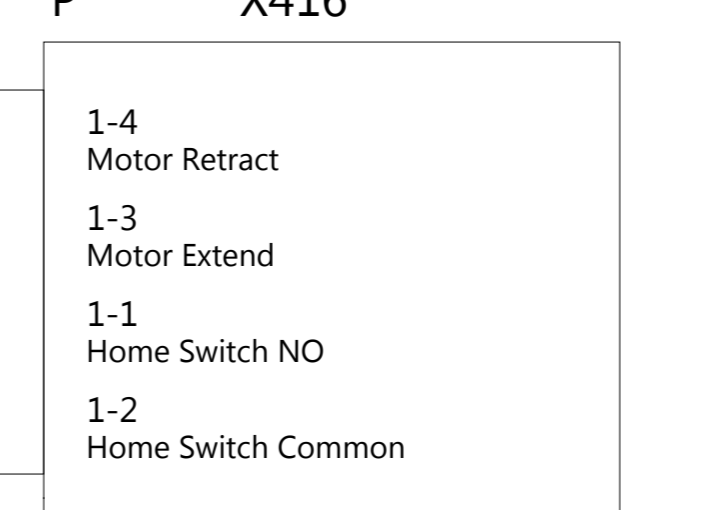
Door Control Module RF (DV3)
P X390 X391 X392 X393



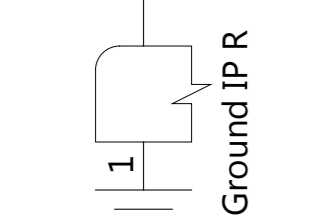
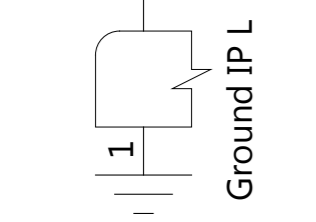
Power Door Drive Unit RF
P X415



Power Door Push-Open RF
P X416



Power Door Pinch Sensor RF
P X417

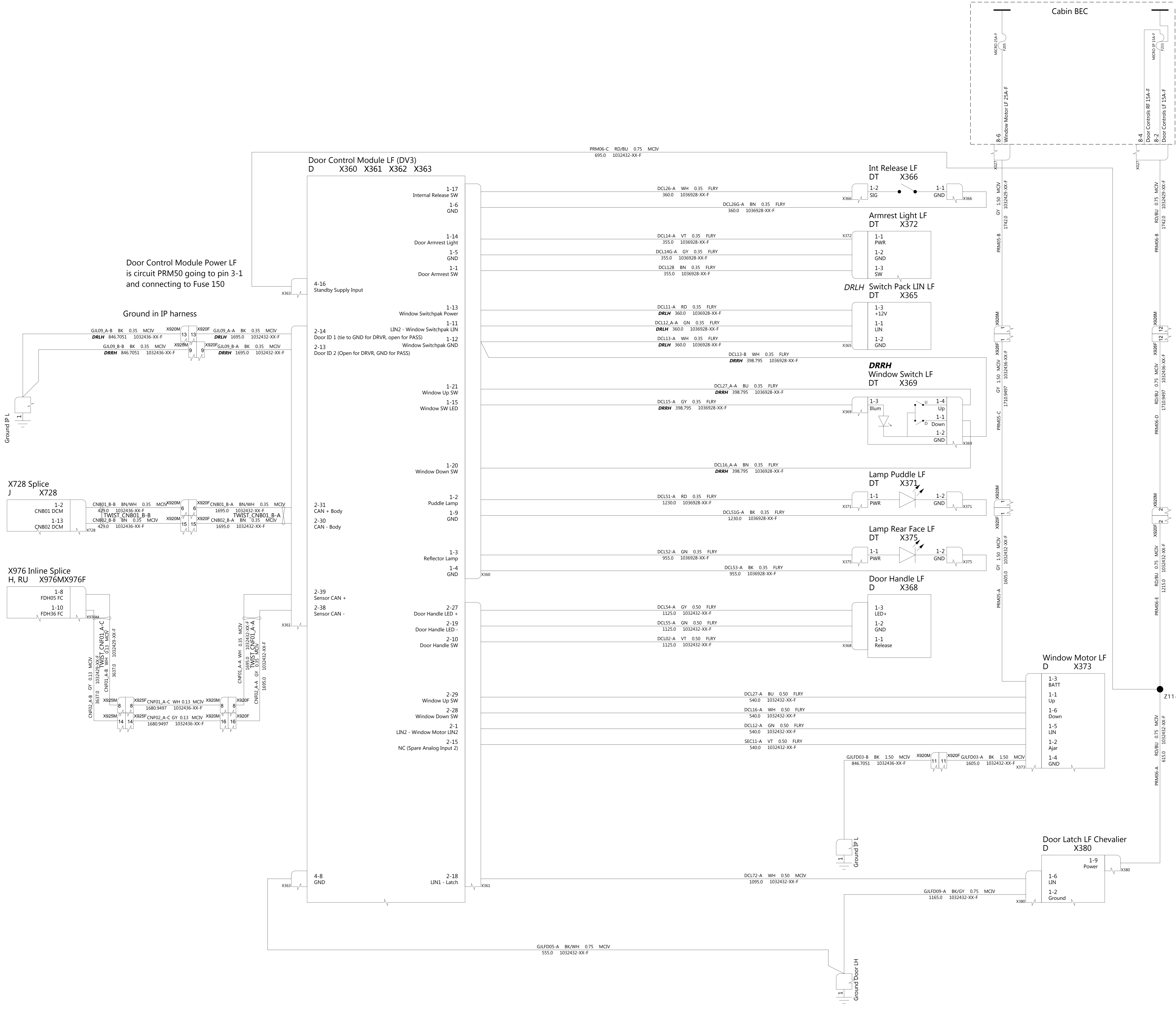


THE INFORMATION CONTAINED HEREIN IS DEEMED TO BE CONFIDENTIAL, PROPRIETARY, AND A TRADE SECRET OF TESLA MOTORS. THIS INFORMATION MAY NOT BE USED, REPRODUCED, OR DISCLOSED AS THE DIRECT OR INDIRECT BASIS FOR THE DEVELOPMENT, MANUFACTURE, OR SALE OF PROCESSES OR PRODUCTS WITHOUT THE EXPRESSED WRITTEN CONSENT OF TESLA MOTORS.		
DRAWN	CHECKED	APPROVED

MATERIAL AS SPECIFIED	FINISHING AS SPECIFIED	SCALE NONE
--------------------------	---------------------------	---------------

PART NAME
Door Controls - Front Actuators

PART NUMBER	REV	SHEET	SIZE
	1	1 OF 1	A0

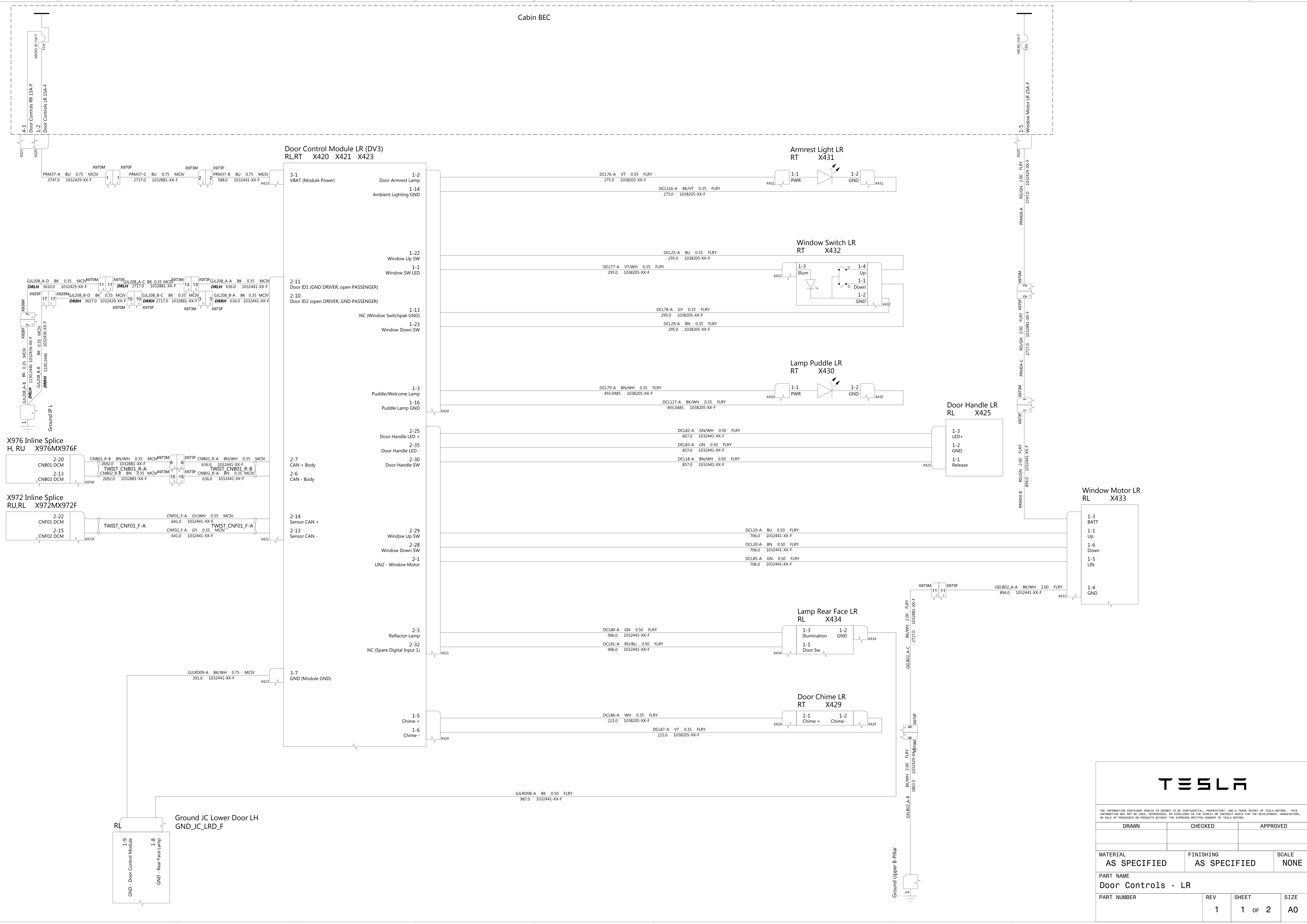


TESLA

THE INFORMATION CONTAINED HEREIN IS DEEMED TO BE CONFIDENTIAL, PROPRIETARY, AND A TRADE SECRET OF TESLA MOTORS. THIS INFORMATION MAY NOT BE USED, REPRODUCED, OR DISCLOSED AS THE DIRECT OR INDIRECT BASIS FOR THE DEVELOPMENT, MANUFACTURE, OR SALE OF PROCESSES OR PRODUCTS WITHOUT THE EXPRESSED WRITTEN CONSENT OF TESLA MOTORS.

DRAWN	CHECKED	APPROVED
MATERIAL AS SPECIFIED	FINISHING AS SPECIFIED	SCALE NONE
PART NAME Door Controls - LF (DV3)		
PART NUMBER	REV	SHEET
	1	1 OF 1
		SCALE A0

Cabin BEC



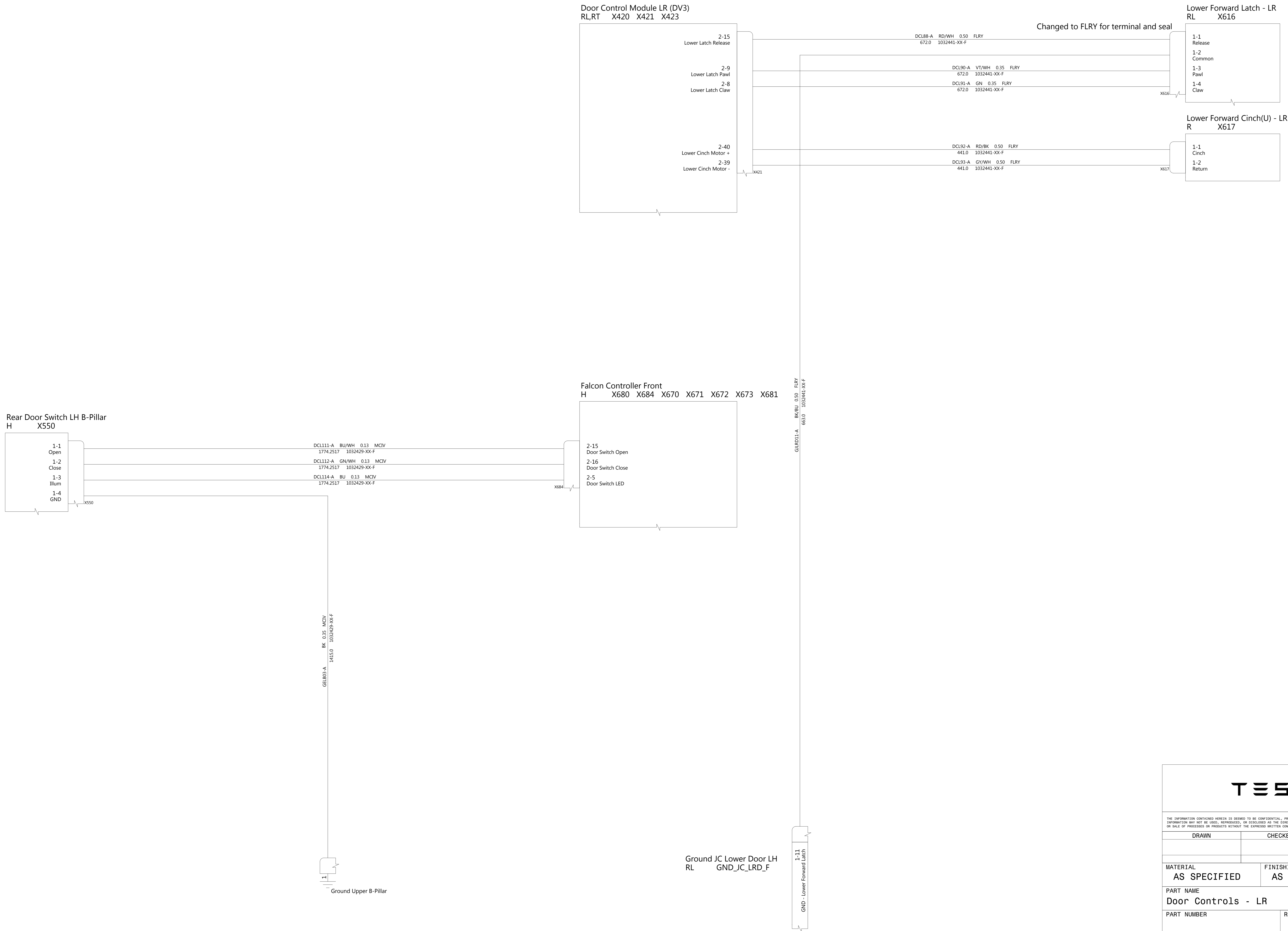
THE INFORMATION CONTAINED HEREIN IS DEEMED TO BE CONFIDENTIAL, PROPRIETARY, AND A TRADE SECRET OF TESLA MOTORS. THIS INFORMATION MAY NOT BE USED, REPRODUCED, OR DISCLOSED AS THE DIRECT OR INDIRECT BASIS FOR THE DEVELOPMENT, MANUFACTURE, OR SALE OF PROCESSES OR PRODUCTS WITHOUT THE EXPRESS WRITTEN CONSENT OF TESLA MOTORS.

DRAWN	CHECKED	APPROVED
-------	---------	----------

MATERIAL AS SPECIFIED	FINISHING AS SPECIFIED	SCALE NONE
--------------------------	---------------------------	---------------

PART NAME
Door Controls - LR

PART NUMBER	REV	SHEET	SIZE
	1	1 OF 2	A0



TESLA

THE INFORMATION CONTAINED HEREIN IS DEEMED TO BE CONFIDENTIAL, PROPRIETARY, AND A TRADE SECRET OF TESLA MOTORS. THIS INFORMATION MAY NOT BE USED, REPRODUCED, OR DISCLOSED AS THE DIRECT OR INDIRECT BASIS FOR THE DEVELOPMENT, MANUFACTURE, OR SALE OF PROCESSES OR PRODUCTS WITHOUT THE EXPRESSED WRITTEN CONSENT OF TESLA MOTORS.

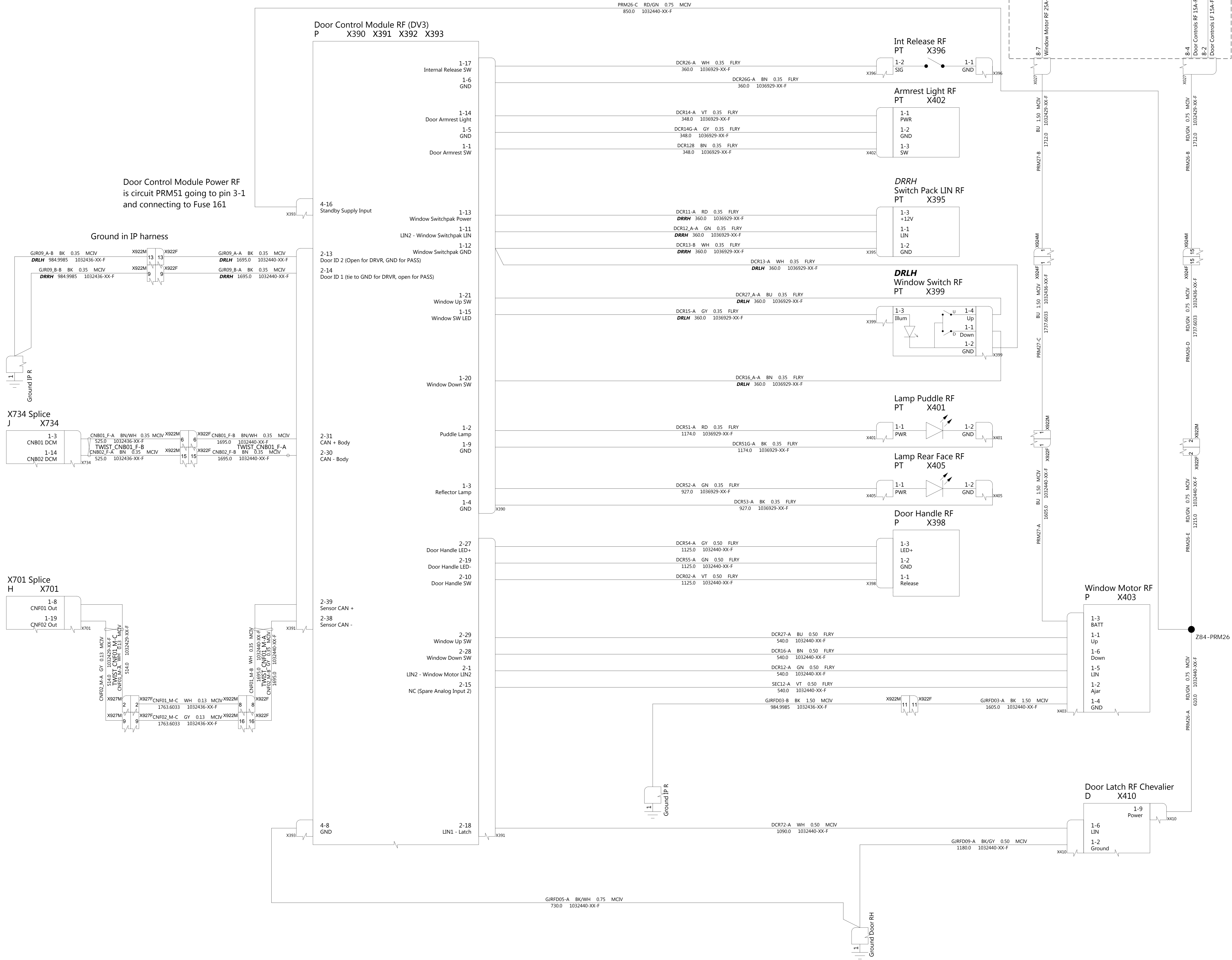
DRAWN	CHECKED	APPROVED

MATERIAL AS SPECIFIED	FINISHING AS SPECIFIED	SCALE NONE
--------------------------	---------------------------	---------------

PART NAME
Door Controls - LR

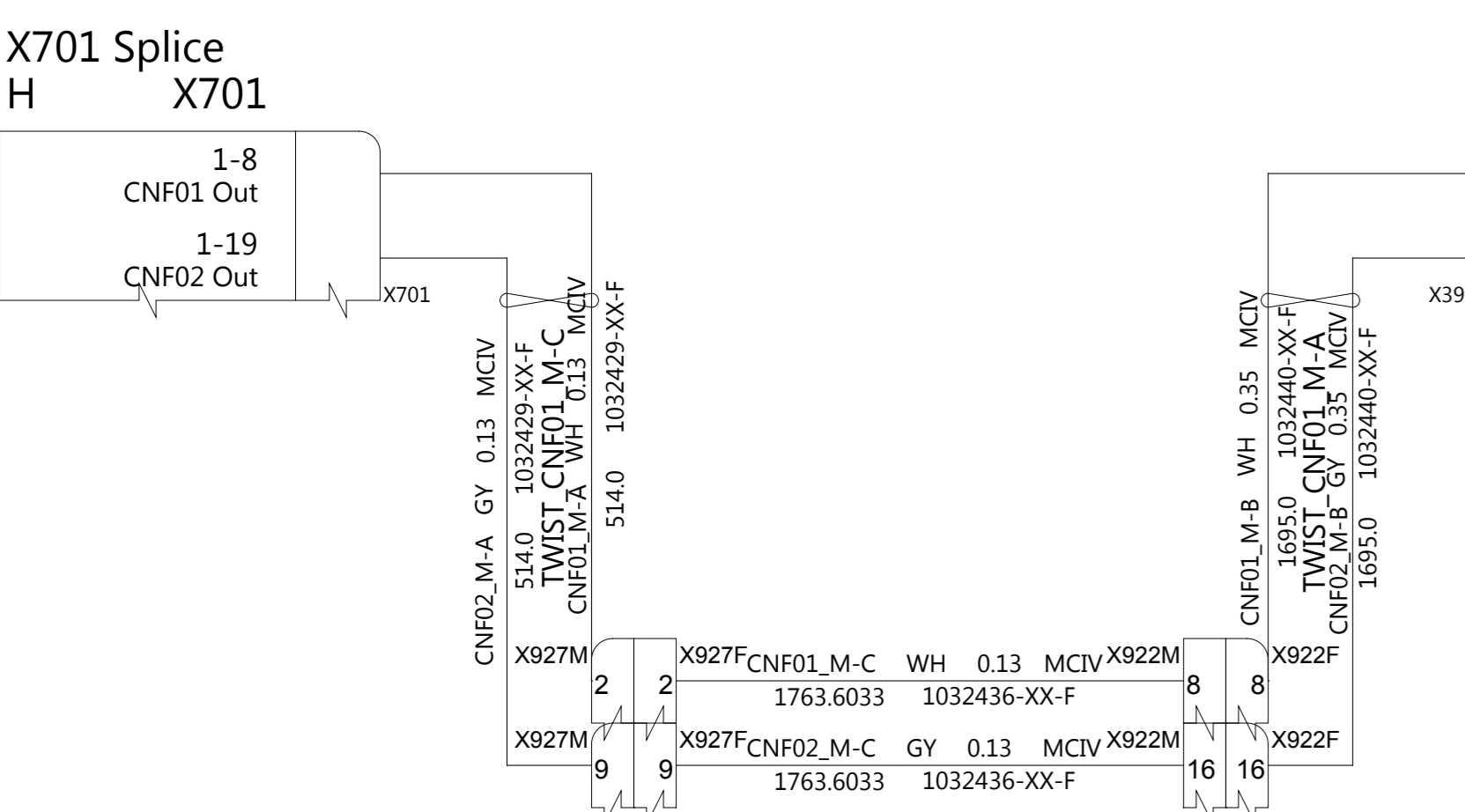
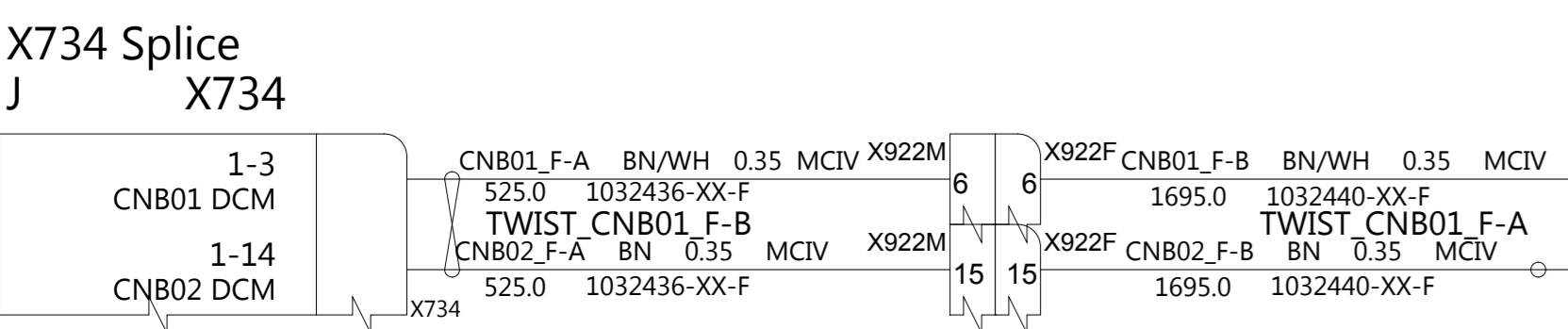
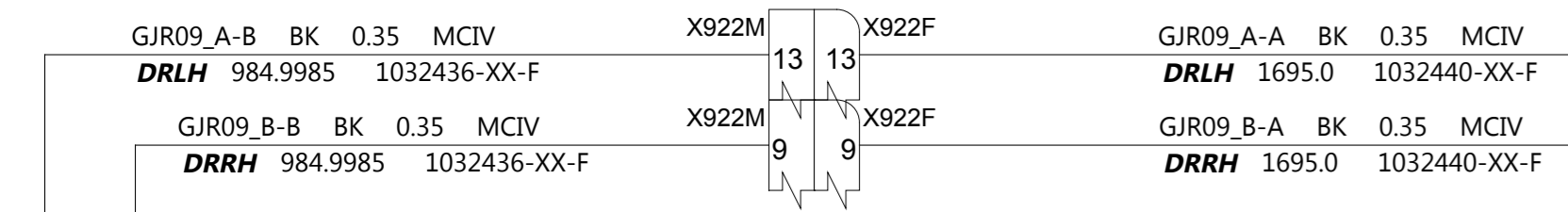
PART NUMBER	REV	SHEET	SIZE
	1	2 OF 2	A0

Door Control Module RF (DV3)
P X390 X391 X392 X393



Door Control Module Power RF is circuit PRM51 going to pin 3-1 and connecting to Fuse 161

Ground in IP harness



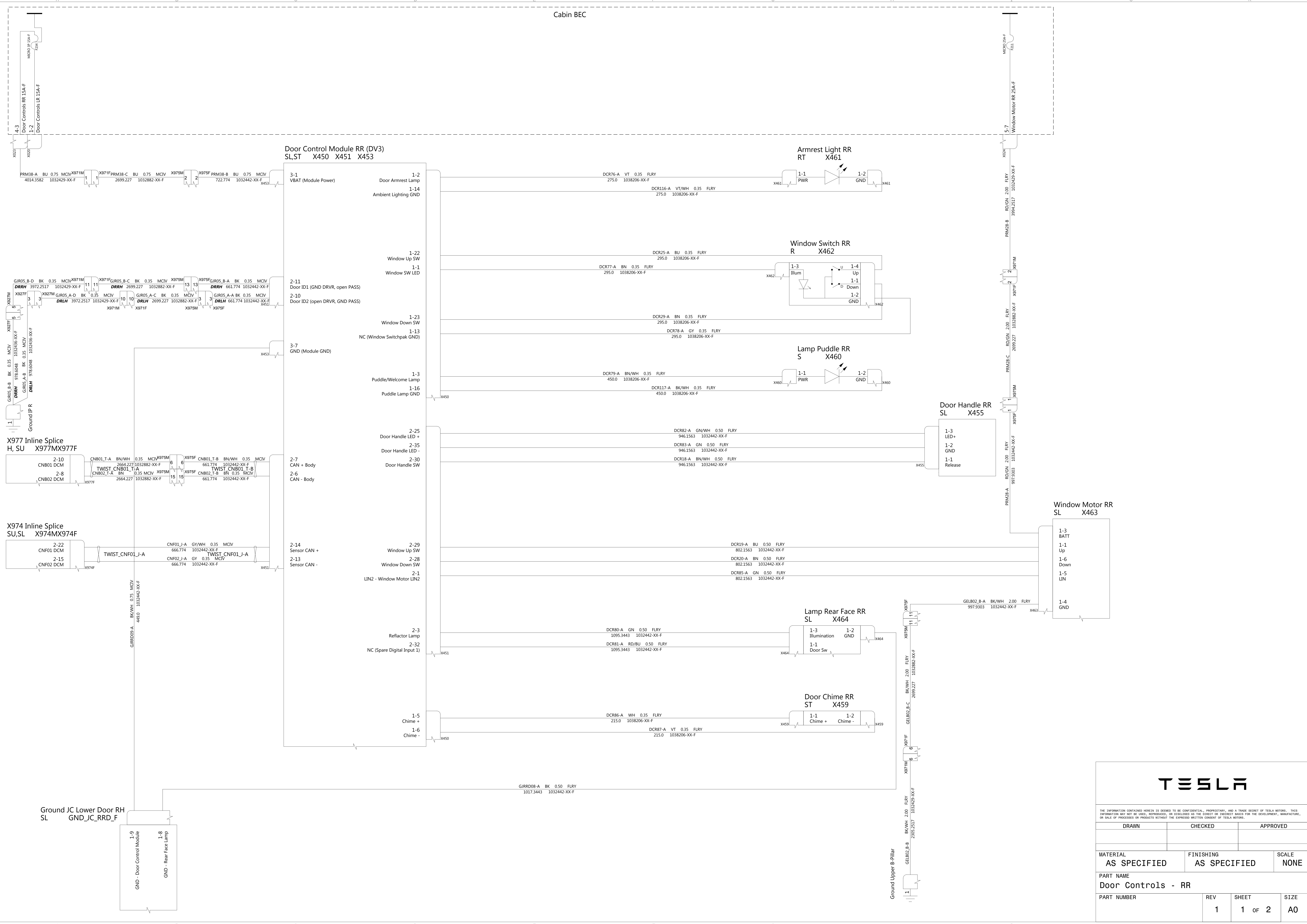
Cabin BEC



THE INFORMATION CONTAINED HEREIN IS DEEMED TO BE CONFIDENTIAL, PROPRIETARY, AND A TRADE SECRET OF TESLA MOTORS. THIS INFORMATION MAY NOT BE USED, REPRODUCED, OR DISCLOSED AS THE DIRECT OR INDIRECT BASIS FOR THE DEVELOPMENT, MANUFACTURE, OR SALE OF PROCESSES OR PRODUCTS WITHOUT THE EXPRESSED WRITTEN CONSENT OF TESLA MOTORS.

DRAWN	CHECKED	APPROVED
MATERIAL AS SPECIFIED	FINISHING AS SPECIFIED	SCALE NONE
PART NAME Door Controls - RF (DV3)		
PART NUMBER	REV	SHEET
	1	1 OF 1
		SIZE A0

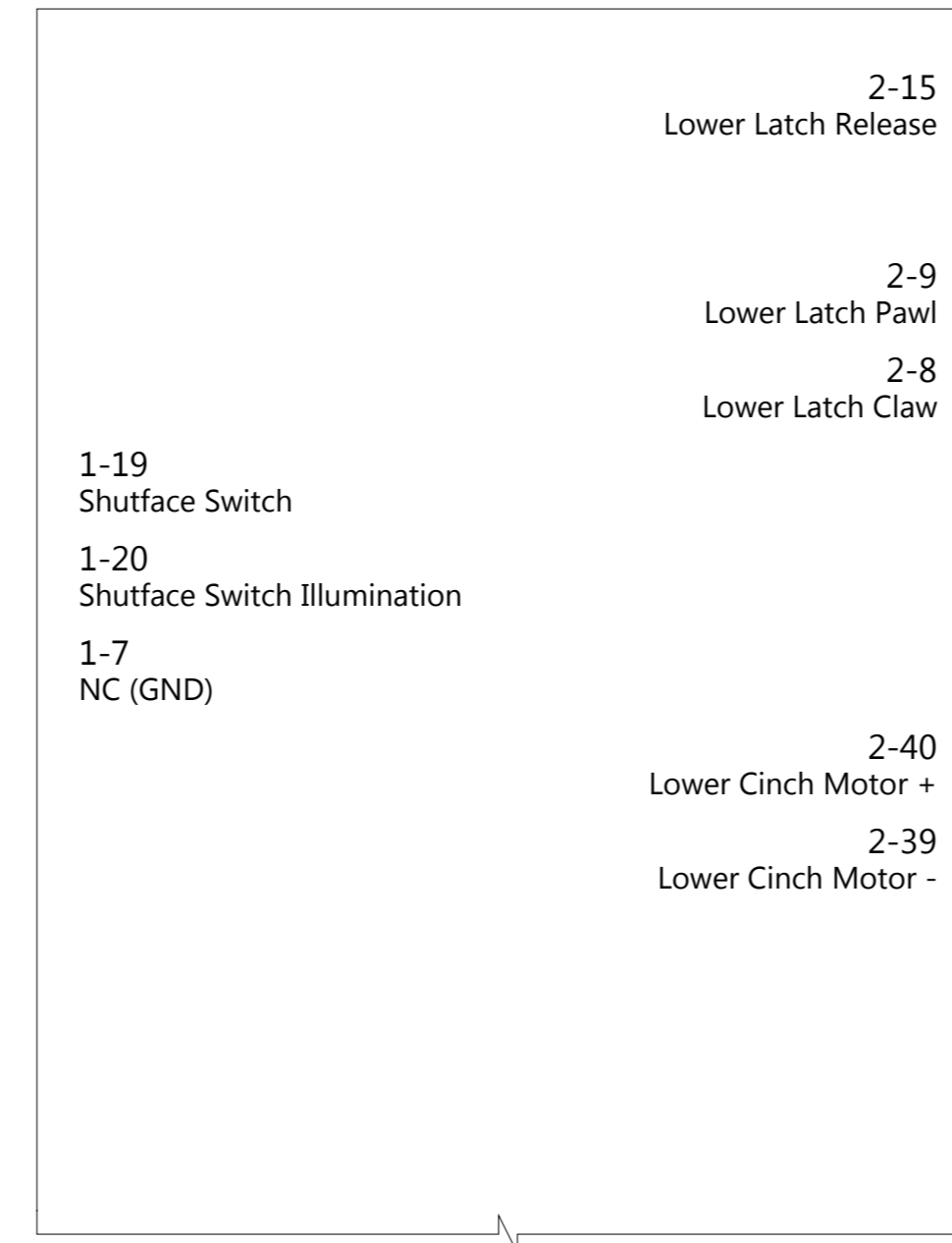
Cabin BEC



THE INFORMATION CONTAINED HEREIN IS DEEMED TO BE CONFIDENTIAL, PROPRIETARY, AND A TRADE SECRET OF TESLA MOTORS. THIS INFORMATION MAY NOT BE USED, REPRODUCED, OR DISCLOSED AS THE DIRECT OR INDIRECT BASIS FOR THE DEVELOPMENT, MANUFACTURE, OR SALE OF PROCESSES OR PRODUCTS WITHOUT THE EXPRESSED WRITTEN CONSENT OF TESLA MOTORS.

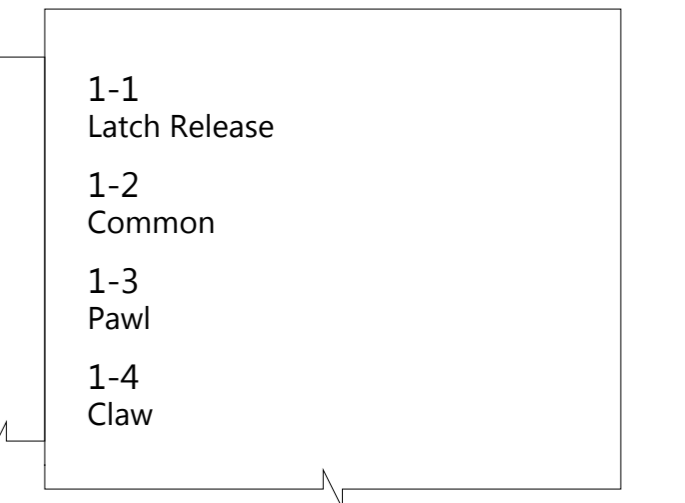
DRAWN	CHECKED	APPROVED
MATERIAL AS SPECIFIED	FINISHING AS SPECIFIED	SCALE NONE
PART NAME Door Controls - RR		
PART NUMBER	REV 1	SHEET 1 OF 2
		SIZE A0

Door Control Module RR (DV3)
SL,ST X450 X451 X453

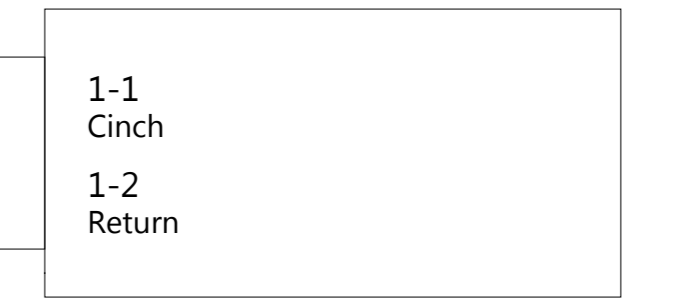


Changed to FLRY for terminal and seal

Lower Forward Latch - RR
RL X628



Lower Forward Cinch(U) - RR
SL X629



DCR88-A RD/WH 0.50 FLRY
661.3443 1032442-XX-F

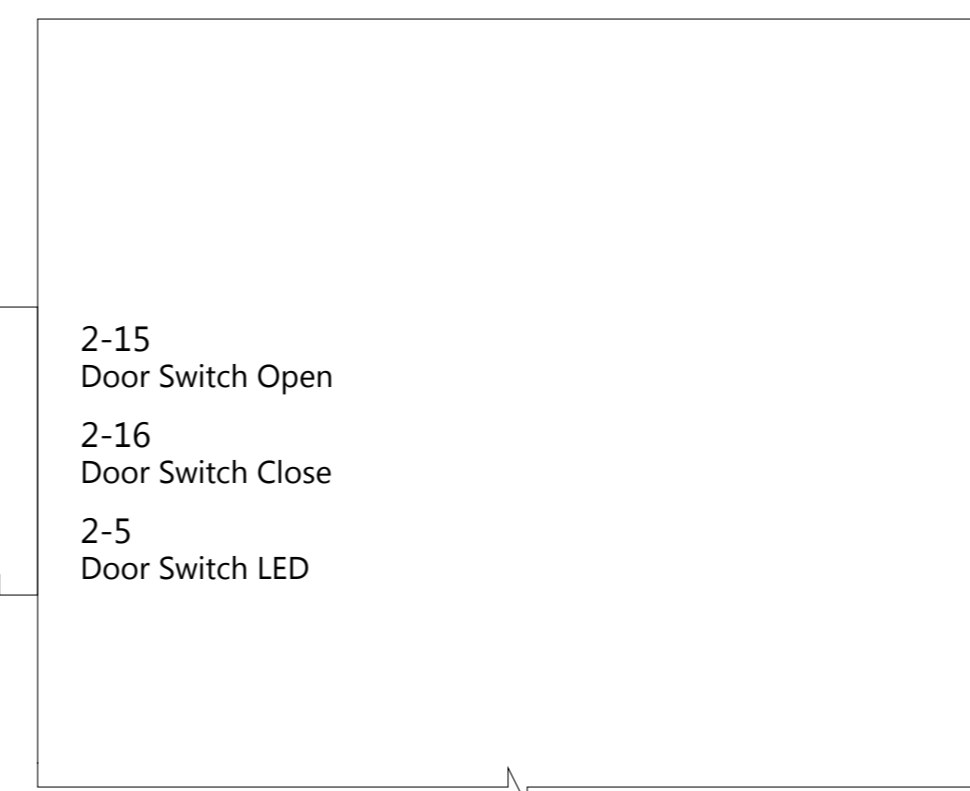
DCR90-A VT/WH 0.35 FLRY
661.3443 1032442-XX-F

DCR91-A GN 0.35 FLRY
661.3443 1032442-XX-F

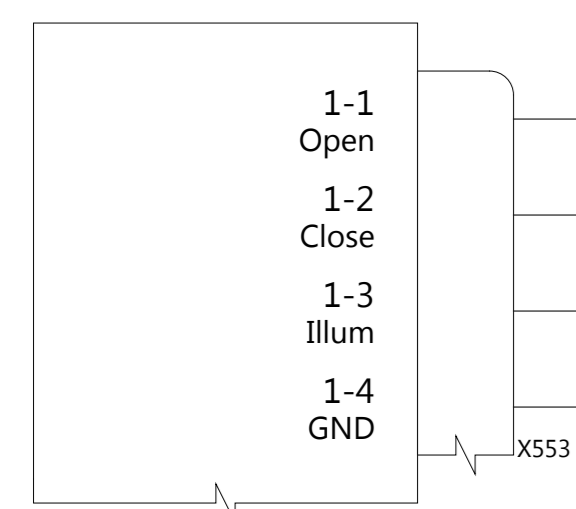
DCR92-A RD/BK 0.50 FLRY
1055.3443 1032442-XX-F

DCR93-A GY/WH 0.50 FLRY
1055.3443 1032442-XX-F

Falcon Controller Rear
H X682 X685 X674 X675 X676 X677 X683



Rear Door Switch RH B-Pillar
H X553

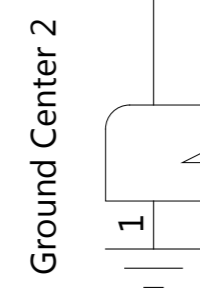


DCR111-A BU/WH 0.13 MCV
5623.5967 1032429-XX-F

DCR112-A GN/WH 0.13 MCV
5623.5967 1032429-XX-F

DCR114-A BU 0.13 MCV
5623.5967 1032429-XX-F

GECD01-A BK 0.35 MCV
1387.345 1032429-XX-F



GRRD01-A BK/BU 0.50 FLRY
568.3443 1032442-XX-F

Ground JC Lower Door RH
GND_JC_RRD_F



TESLA

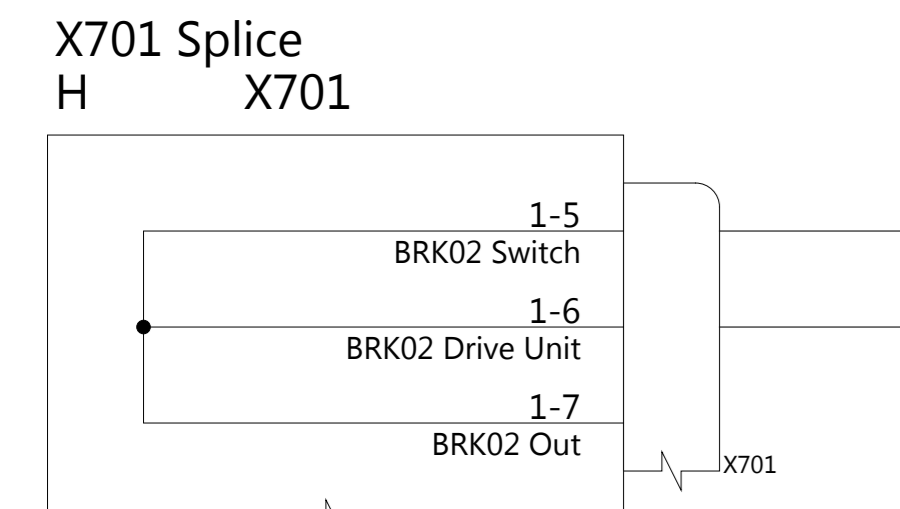
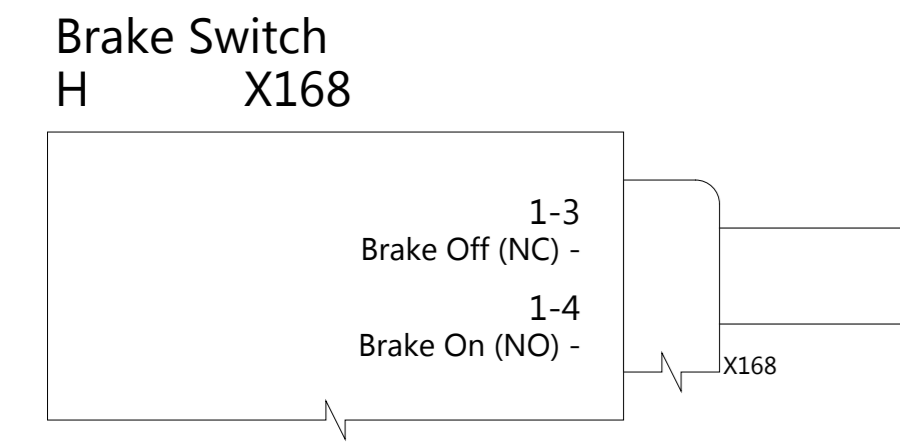
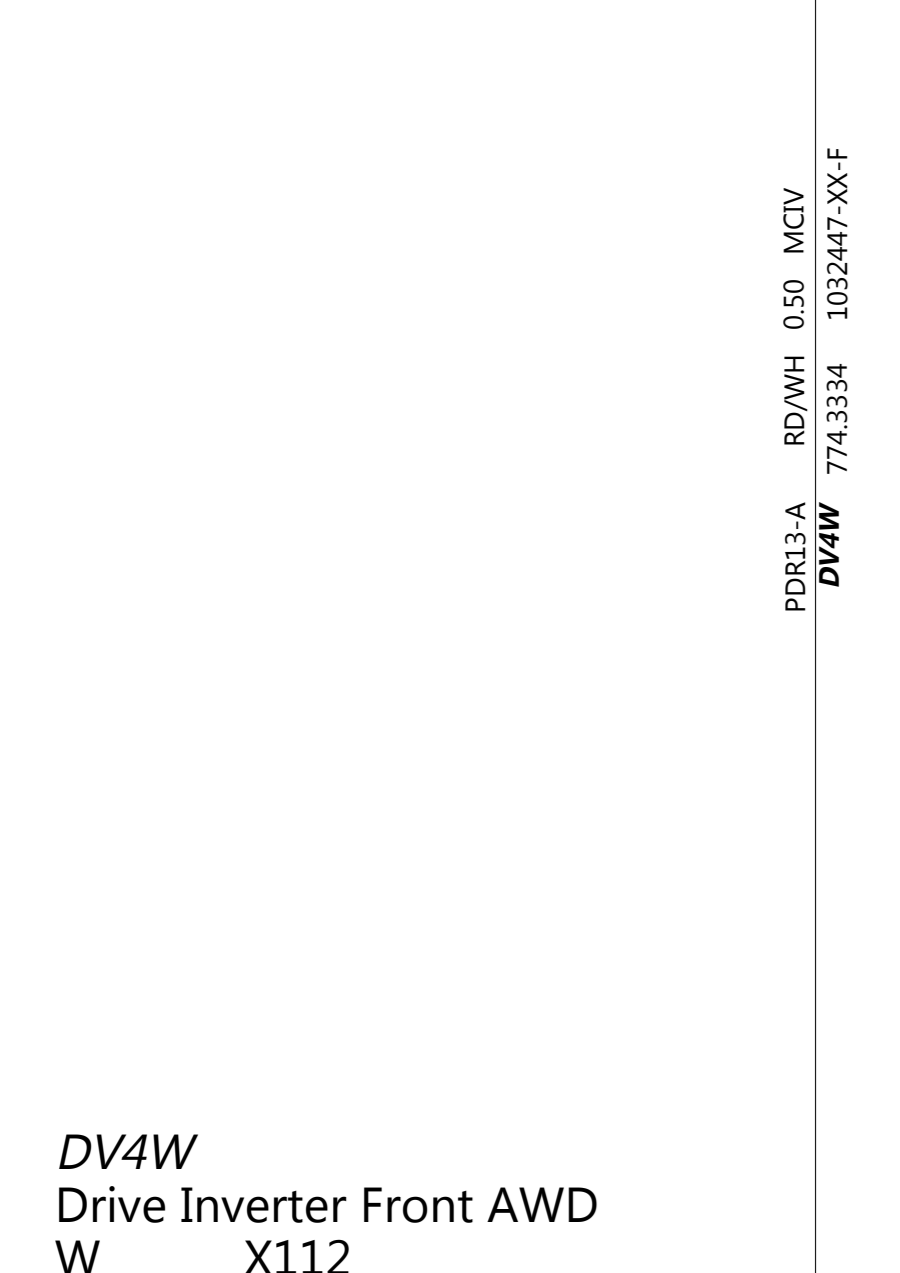
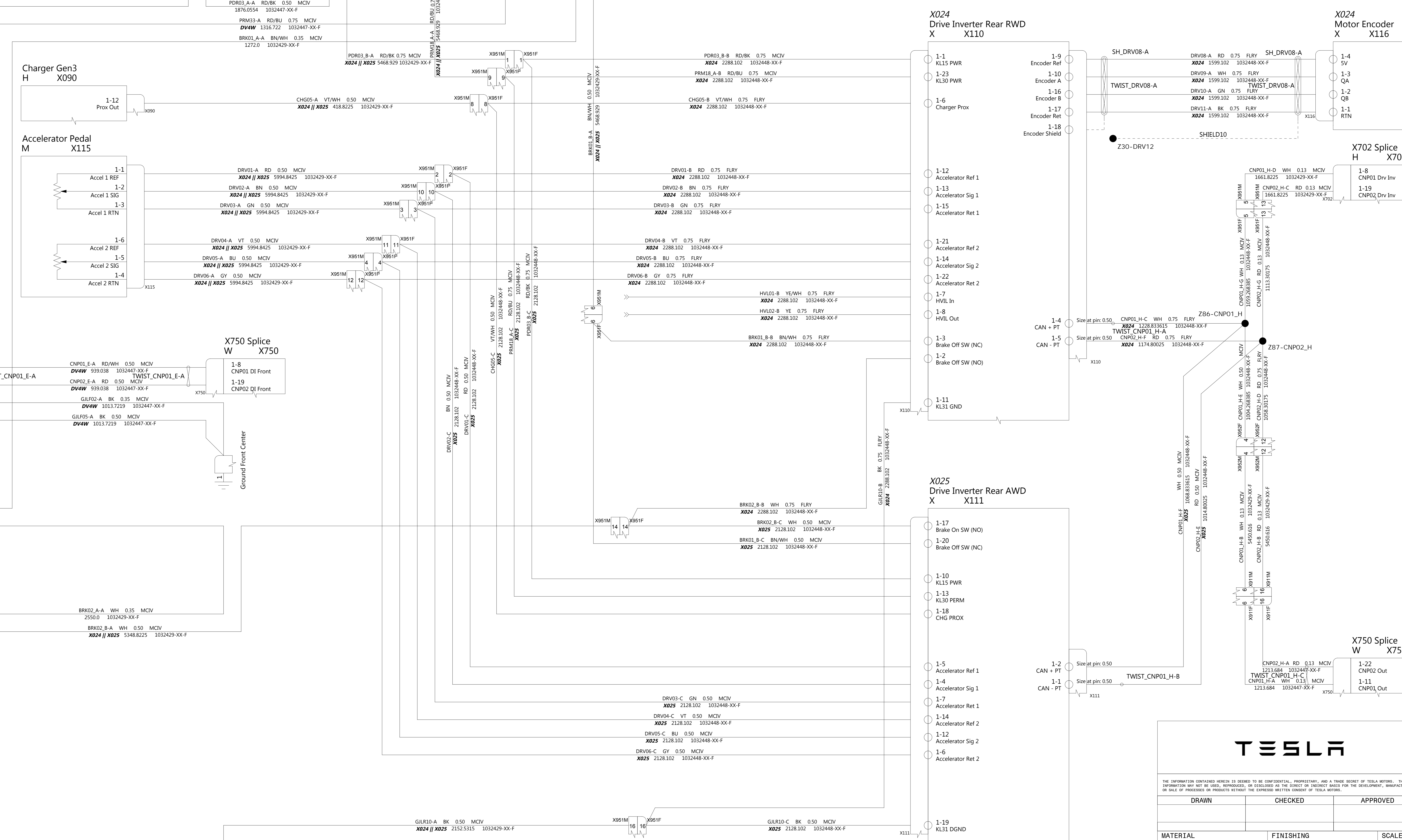
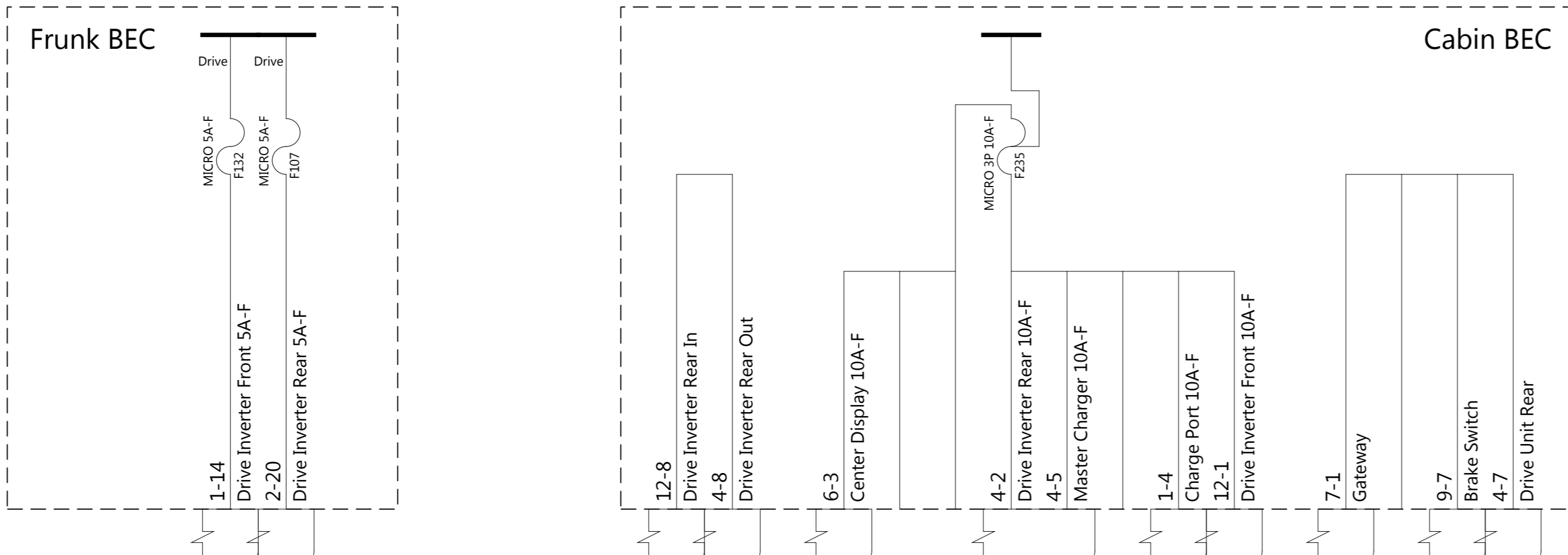
THE INFORMATION CONTAINED HEREIN IS DEEMED TO BE CONFIDENTIAL, PROPRIETARY, AND A TRADE SECRET OF TESLA MOTORS. THIS INFORMATION MAY NOT BE USED, REPRODUCED, OR DISCLOSED AS THE DIRECT OR INDIRECT BASIS FOR THE DEVELOPMENT, MANUFACTURE, OR SALE OF PROCESSES OR PRODUCTS WITHOUT THE EXPRESSED WRITTEN CONSENT OF TESLA MOTORS.

DRAWN	CHECKED	APPROVED
-------	---------	----------

MATERIAL AS SPECIFIED	FINISHING AS SPECIFIED	SCALE NONE
--------------------------	---------------------------	---------------

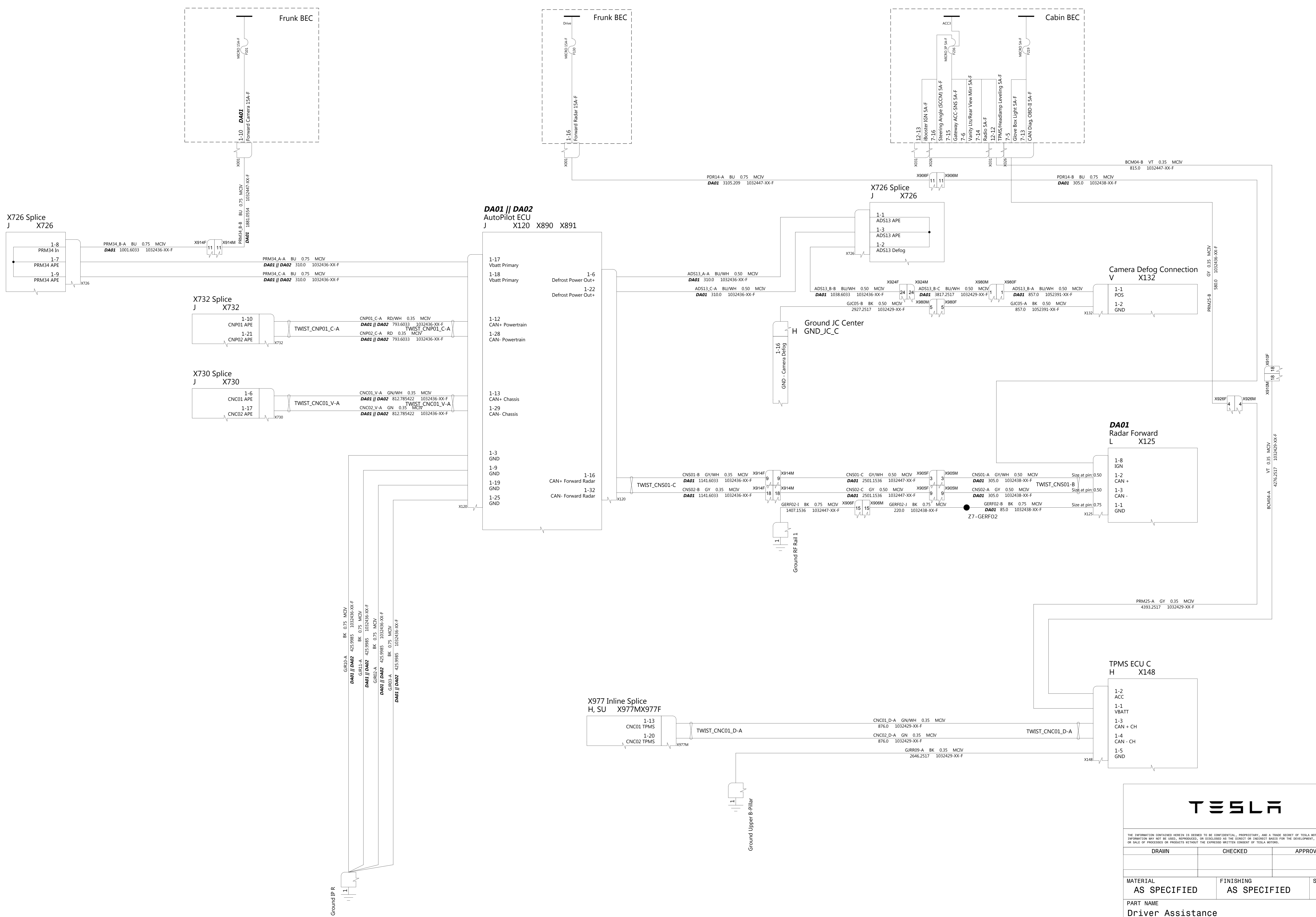
PART NAME
Door Controls - RR

PART NUMBER	REV	SHEET	SIZE
	1	2 OF 2	A0



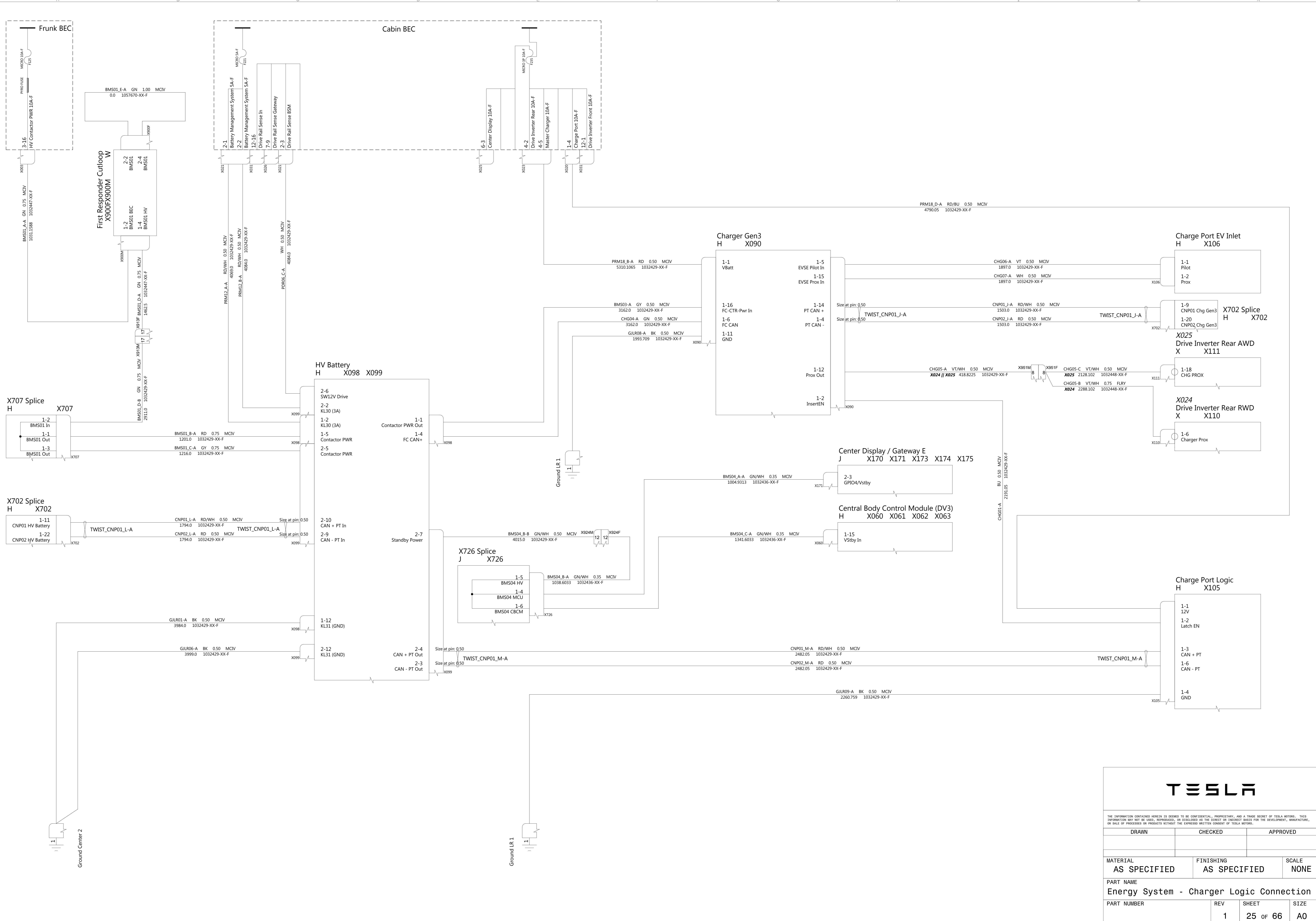
THE INFORMATION CONTAINED HEREIN IS DEEMED TO BE CONFIDENTIAL, PROPRIETARY, AND A TRADE SECRET OF TESLA MOTORS. THIS INFORMATION MAY NOT BE USED, REPRODUCED, OR DISCLOSED AS THE DIRECT OR INDIRECT BASIS FOR THE DEVELOPMENT, MANUFACTURE, OR SALE OF PROCESSES OR PRODUCTS WITHOUT THE EXPRESSED WRITTEN CONSENT OF TESLA MOTORS.

DRAWN	CHECKED	APPROVED
MATERIAL AS SPECIFIED	FINISHING AS SPECIFIED	SCALE NONE
PART NAME Drive Inverter (DV2) - Rev2 Updated GNDs		
PART NUMBER	REV	SHEET
	1	21 of 66
		SIZE A0



THE INFORMATION CONTAINED HEREIN IS DEEMED TO BE CONFIDENTIAL, PROPRIETARY, AND A TRADE SECRET OF TESLA MOTORS. THIS INFORMATION MAY NOT BE USED, REPRODUCED, OR DISCLOSED AS THE DIRECT OR INDIRECT BASIS FOR THE DEVELOPMENT, MANUFACTURE, OR SALE OF PROCESSES OR PRODUCTS WITHOUT THE EXPRESS WRITTEN CONSENT OF TESLA MOTORS.

DRAWN	CHECKED	APPROVED
MATERIAL AS SPECIFIED	FINISHING AS SPECIFIED	SCALE NONE
PART NAME Driver Assistance		
PART NUMBER	REV	SHEET
	1	22 of 66
		SIZE
		A0



THE INFORMATION CONTAINED HEREIN IS DEEMED TO BE CONFIDENTIAL, PROPRIETARY, AND A TRADE SECRET OF TESLA MOTORS. THIS INFORMATION MAY NOT BE USED, REPRODUCED, OR DISCLOSED AS THE DIRECT OR INDIRECT BASIS FOR THE DEVELOPMENT, MANUFACTURE, OR SALE OF PROCESSES OR PRODUCTS WITHOUT THE EXPRESSED WRITTEN CONSENT OF TESLA MOTORS.

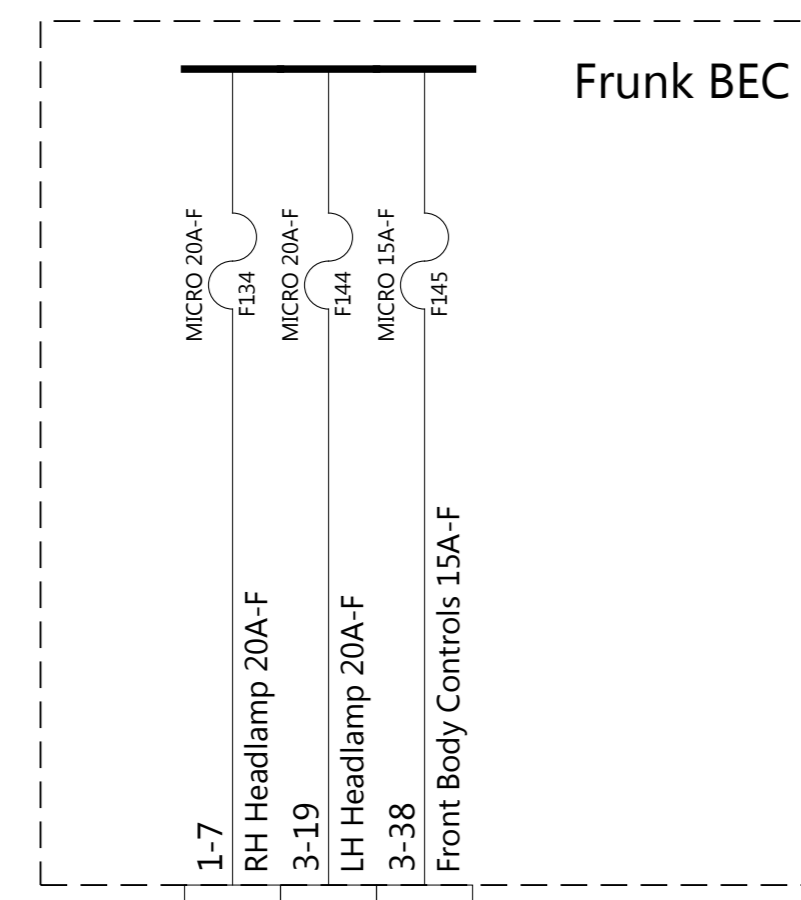
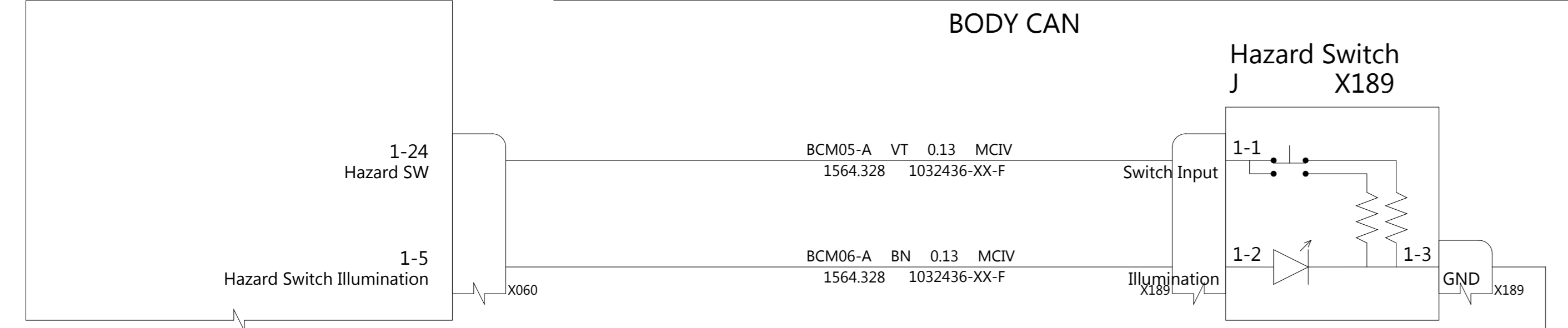
DRAWN	CHECKED	APPROVED

MATERIAL	FINISHING	SCALE
AS SPECIFIED	AS SPECIFIED	NONE

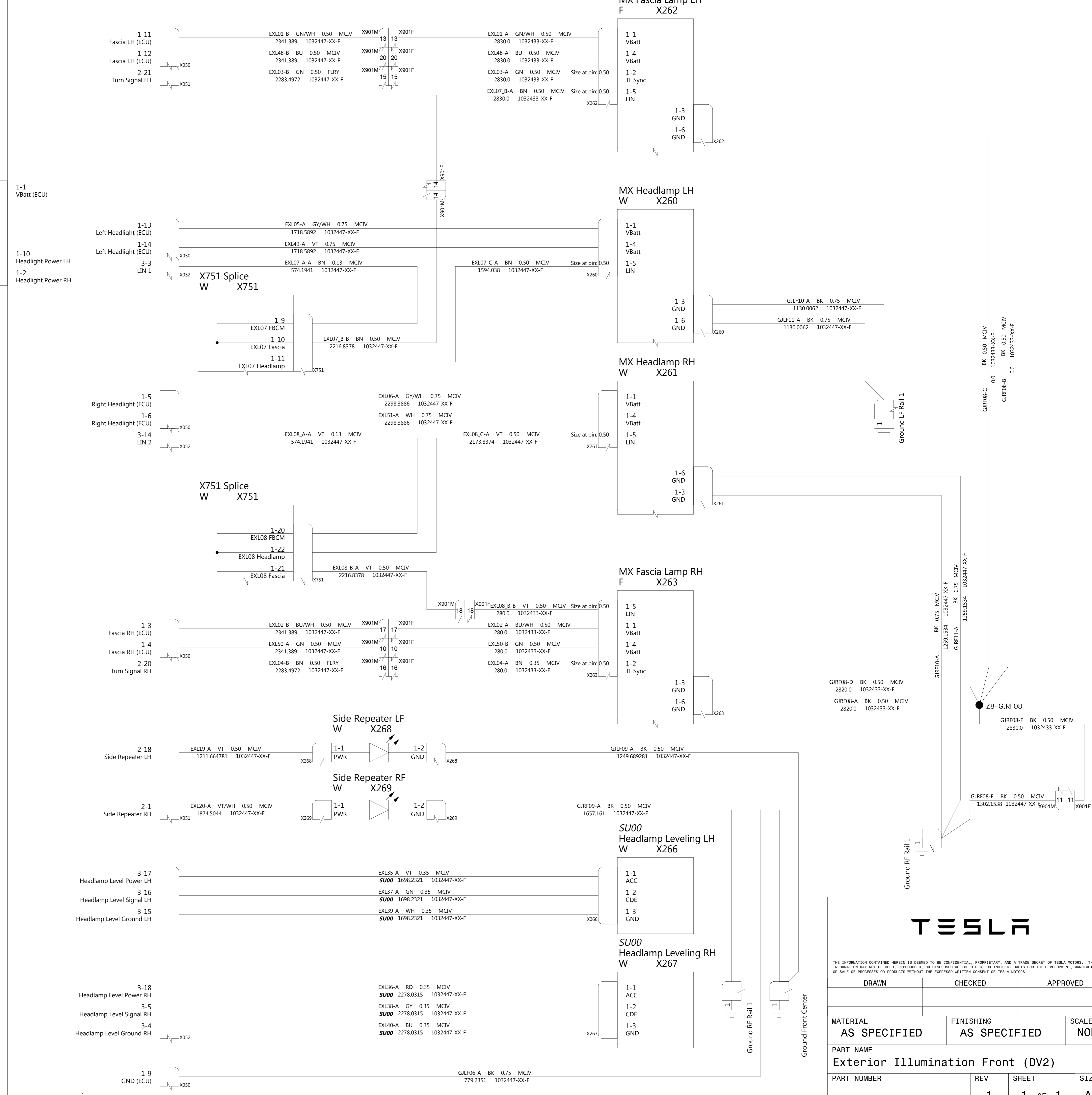
PART NAME
Energy System - Charger Logic Connection

PART NUMBER	REV	SHEET	SIZE
	1	25 of 66	A0

Central Body Control Module (DV3)
H X060 X061 X062 X063

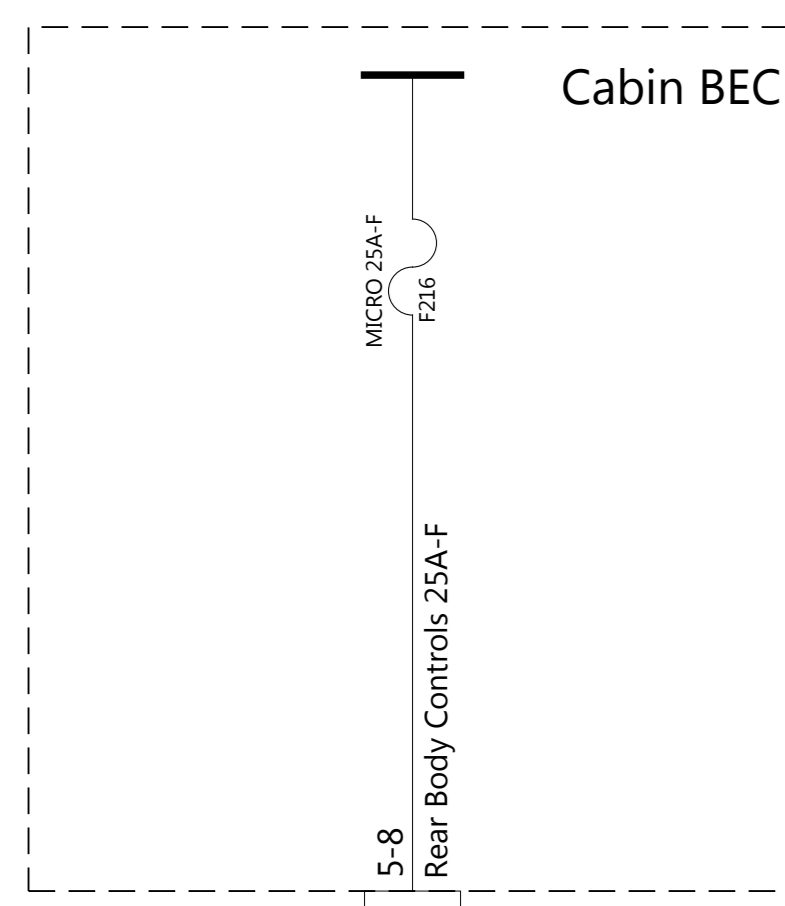


Front Body Control Module (DV3)
W X050 X051 X052

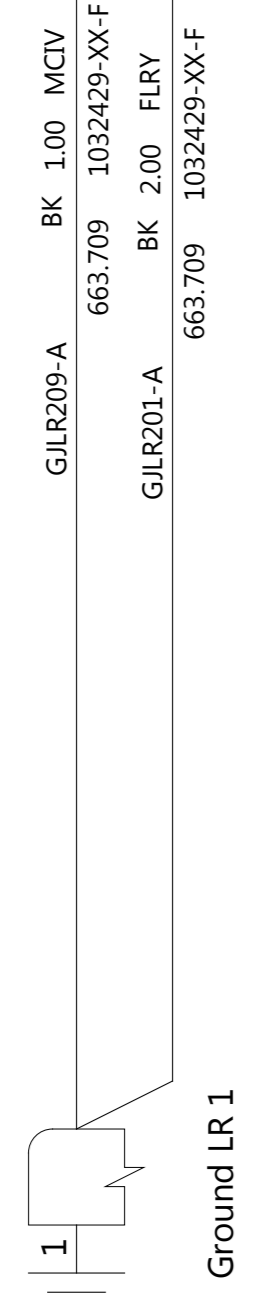
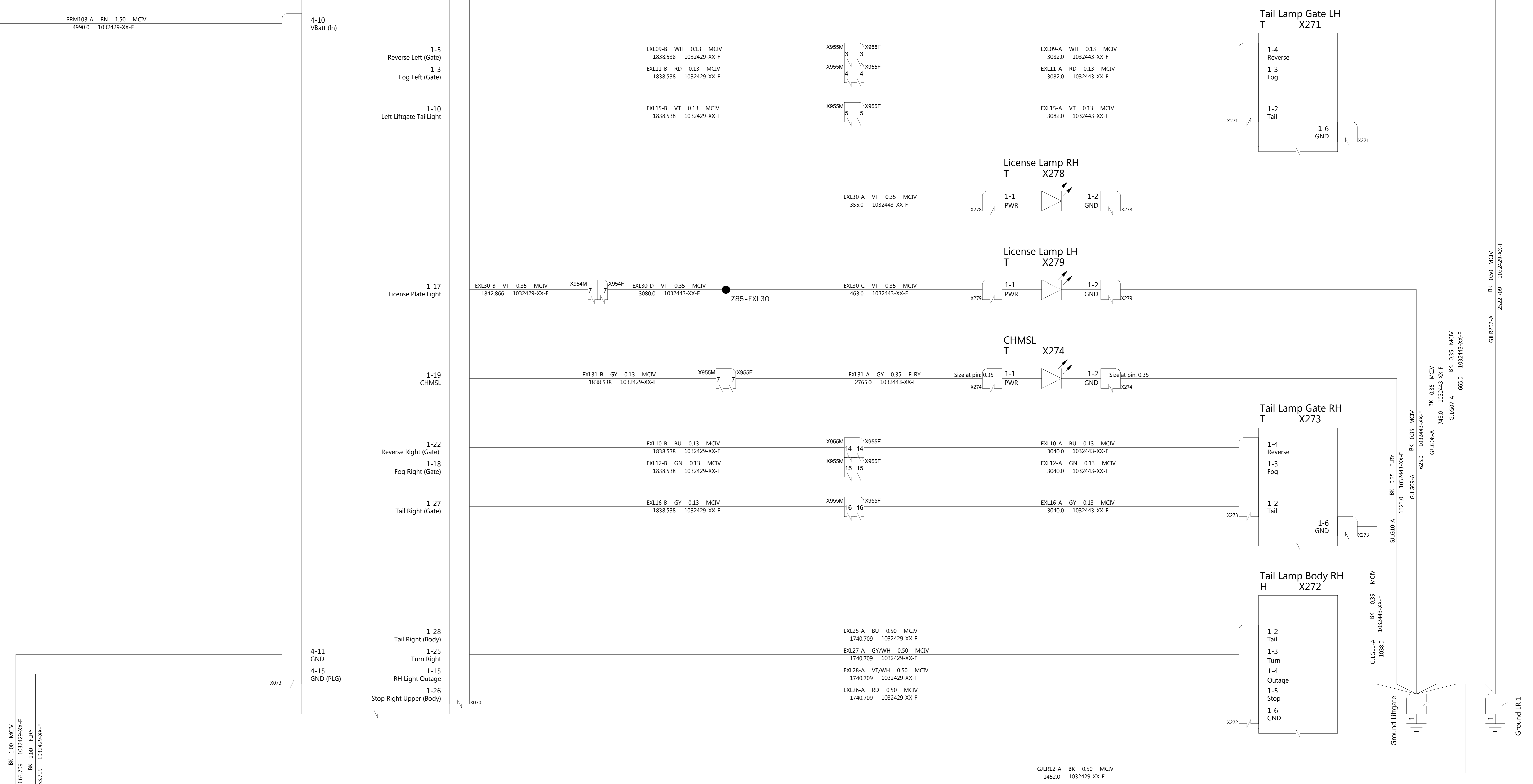


THE INFORMATION CONTAINED HEREIN IS DEEMED TO BE CONFIDENTIAL, PROPRIETARY, AND A TRADE SECRET OF TESLA MOTORS. THIS INFORMATION MAY NOT BE USED, REPRODUCED, OR DISCLOSED AS THE DIRECT OR INDIRECT BASIS FOR THE DEVELOPMENT, MANUFACTURE, OR SALE OF PROCESSES OR PRODUCTS WITHOUT THE EXPRESS WRITTEN CONSENT OF TESLA MOTORS.

DRAWN	CHECKED	APPROVED
MATERIAL AS SPECIFIED	FINISHING AS SPECIFIED	SCALE NONE
PART NAME Exterior Illumination Front (DV2)		
PART NUMBER	REV	SHEET
	1	1 OF 1
		SIZE A0



Rear Body Control Module (DV3)
H X070 X071 X072 X073 X078

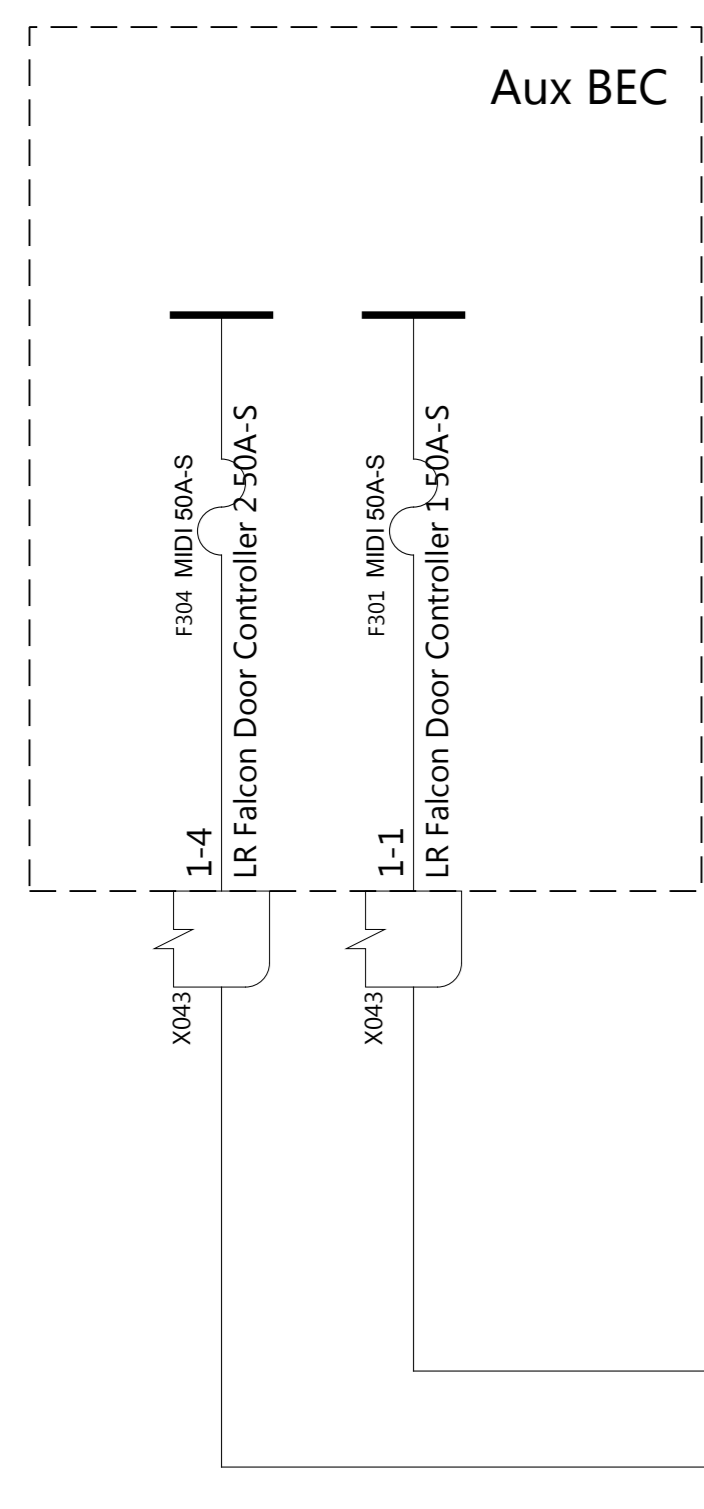


G801 and G802 stack on grounding point at center of liftgate inner panel



THE INFORMATION CONTAINED HEREIN IS DEEMED TO BE CONFIDENTIAL, PROPRIETARY, AND A TRADE SECRET OF TESLA MOTORS. THIS INFORMATION MAY NOT BE USED, REPRODUCED, OR DISCLOSED AS THE OBJECT OR INSTRUMENT BASIS FOR THE DEVELOPMENT, MANUFACTURE, OR SALE OF PROCESSES OR PRODUCTS WITHOUT THE EXPRESSED WRITTEN CONSENT OF TESLA MOTORS.

DRAWN	CHECKED	APPROVED
MATERIAL AS SPECIFIED	FINISHING AS SPECIFIED	SCALE NONE
PART NAME Exterior Illumination Rear (DV2)		
PART NUMBER	REV	SHEET
	1	1 OF 1
		SIZE A0



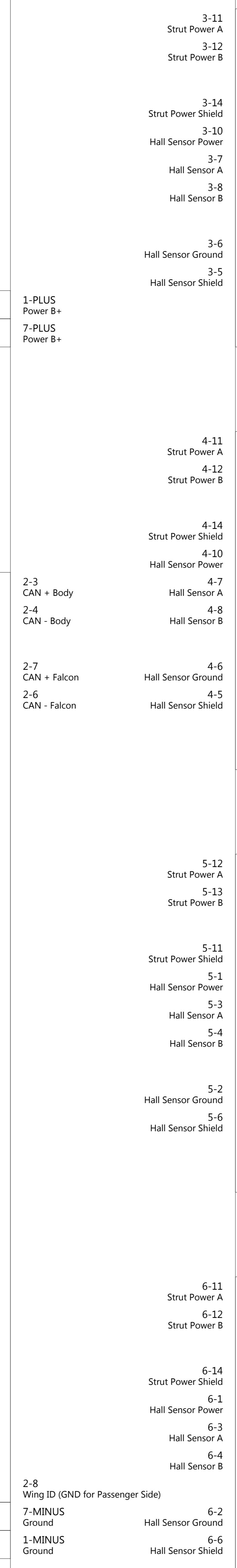
Falcon Controller Front
H X680 X684 X670 X671 X672 X673 X681

Falcon Strut Left LF
RU X690

Falcon Strut Left LR
RU X691

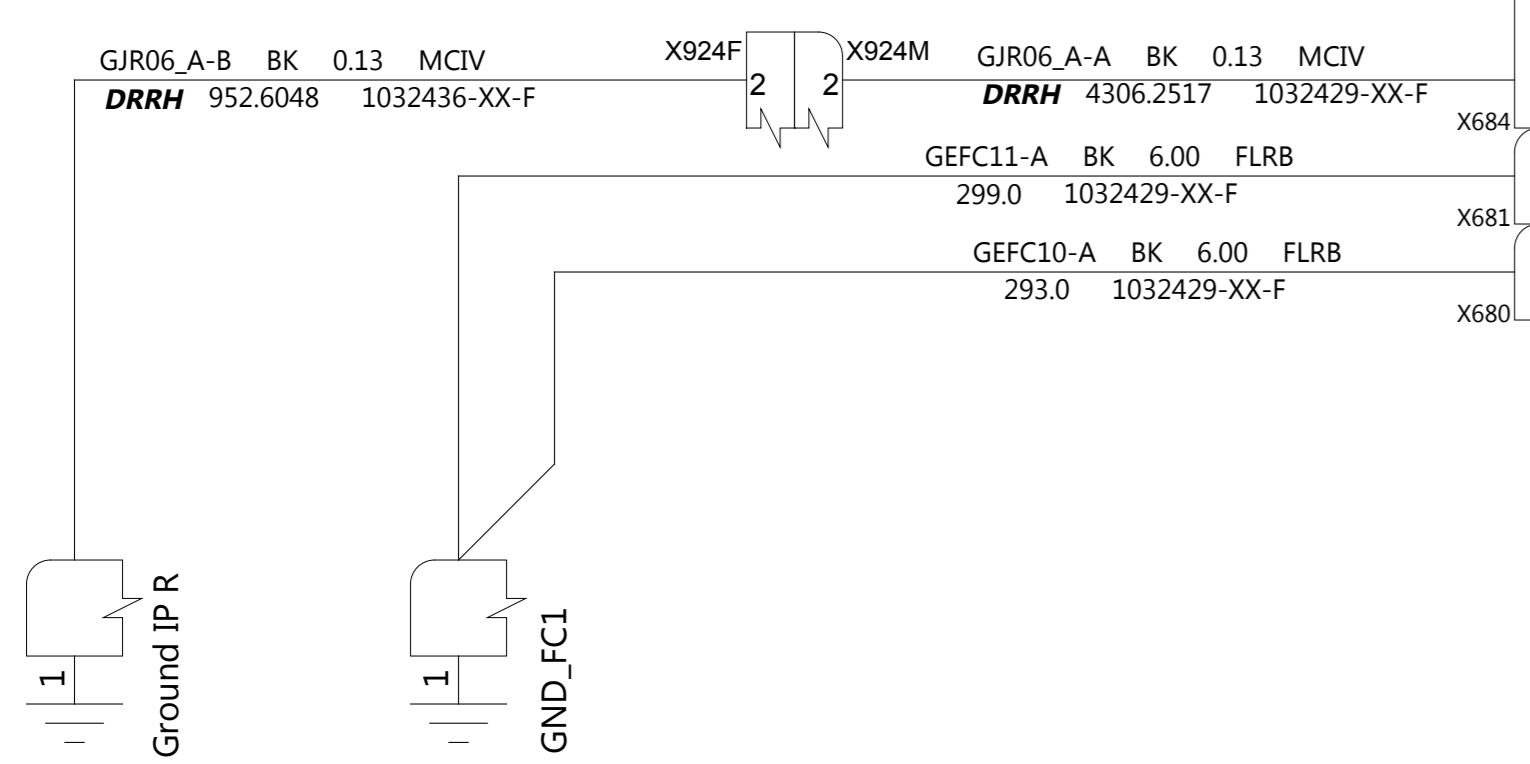
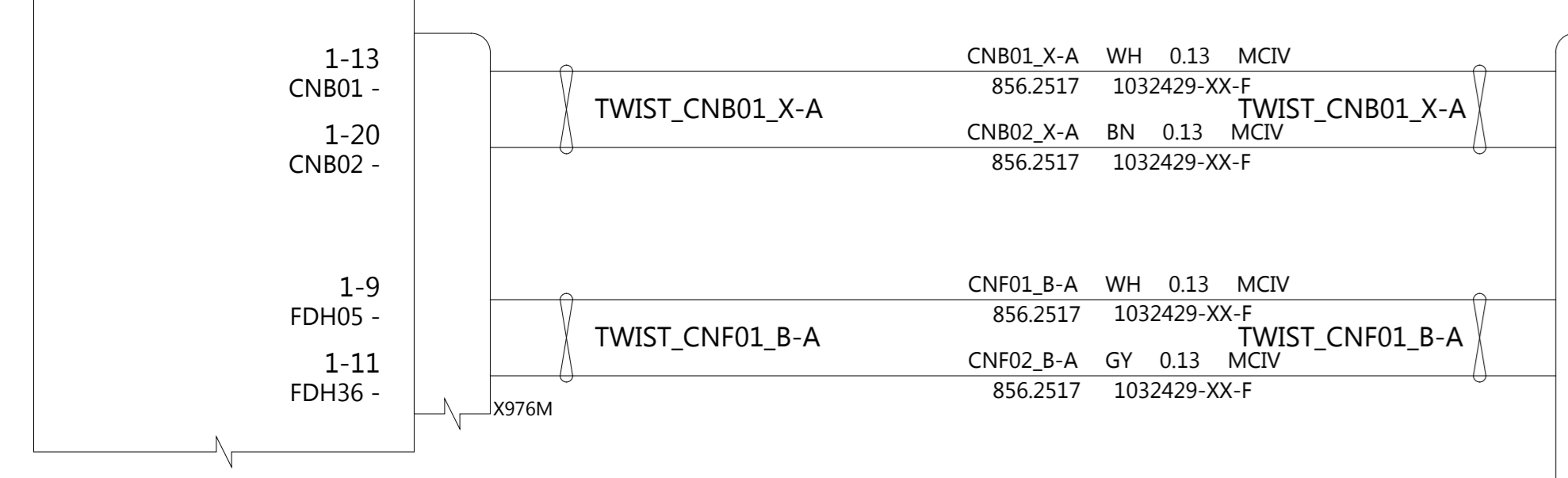
Falcon Strut Left UR
RU X692

Falcon Strut Left UF
RU X693



Terminal	Wire Label	Wire Description	Wire Description	Terminal
3-11	SH_FDE01-A	FDE01-A RD 2.00 FLRY	SH_FDE01-A	1-1
3-12	TWIST_FDE01-A	974.0 1032881-XX-F	TWIST_FDE01-A	1-6
3-14	SH_FDE22-A	FDE02-A BU 2.00 FLRY	SH_FDE22-A	1-8
3-10	SH_FDE22-A	974.0 1032881-XX-F	SH_FDE22-A	1-2
3-7	SH_FDE22-A	FDE21-A GY 0.35 MCV	SH_FDE22-A	1-3
3-8	SH_FDE22-A	974.0 1032881-XX-F	SH_FDE22-A	1-4
3-6	SH_FDE22-A	FDE23-A BU 0.35 MCV	SH_FDE22-A	1-5
3-5	SH_FDE22-A	974.0 1032881-XX-F	SH_FDE22-A	1-11
1-PLUS	1-PLUS Power B+	FDE200-A RD 6.00 FLRB		
7-PLUS	7-PLUS Power B+	4513.0 1032429-XX-F		
4-11	SH_FDE05-A	FDE05-A RD 2.00 FLRY	SH_FDE05-A	1-1
4-12	TWIST_FDE05-A	1325.0 1063405-XX-F	TWIST_FDE05-A	1-6
4-14	SH_FDE30-A	FDE06-A BU 2.00 FLRY	SH_FDE30-A	1-8
4-10	SH_FDE30-A	1325.0 1063405-XX-F	SH_FDE30-A	1-2
4-7	SH_FDE30-A	FDE29-A GY 0.35 MCV	SH_FDE30-A	1-3
4-8	SH_FDE30-A	1325.0 1063405-XX-F	SH_FDE30-A	1-4
4-6	SH_FDE30-A	FDE30-A RD 0.35 MCV	SH_FDE30-A	1-5
4-5	SH_FDE30-A	1325.0 1063405-XX-F	SH_FDE30-A	1-11
2-3	2-3 CAN + Body	FDE31-A BU 0.35 MCV		
2-4	2-4 CAN - Body	1325.0 1063405-XX-F		
2-7	2-7 CAN + Falcon	FDE34-A BK 0.35 MCV		
2-6	2-6 CAN - Falcon	1325.0 1063405-XX-F		
5-12	SH_FDE09-A	SH_FDE09-A	SH_FDE09-A	1-1
5-13	TWIST_FDE09-A	FDE09-A RD 2.00 FLRY	TWIST_FDE09-A	1-6
5-11	SH_FDE38-A	FDE10-A BU 2.00 FLRY	SH_FDE38-A	1-8
5-1	SH_FDE38-A	1341.0 1063405-XX-F	SH_FDE38-A	1-2
5-3	SH_FDE38-A	FDE37-A GY 0.35 MCV	SH_FDE38-A	1-3
5-4	SH_FDE38-A	1341.0 1063405-XX-F	SH_FDE38-A	1-4
5-2	SH_FDE38-A	FDE38-A RD 0.35 MCV	SH_FDE38-A	1-5
5-6	SH_FDE38-A	1341.0 1063405-XX-F	SH_FDE38-A	1-11
6-11	SH_FDE13-A	SH_FDE13-A	SH_FDE13-A	1-1
6-12	TWIST_FDE13-A	FDE13-A RD 2.00 FLRY	TWIST_FDE13-A	1-6
6-14	SH_FDE46-A	FDE14-A BU 2.00 FLRY	SH_FDE46-A	1-8
6-1	SH_FDE46-A	984.0 1032881-XX-F	SH_FDE46-A	1-2
6-3	SH_FDE46-A	FDE45-A GY 0.35 MCV	SH_FDE46-A	1-3
6-4	SH_FDE46-A	984.0 1032881-XX-F	SH_FDE46-A	1-4
6-2	SH_FDE46-A	FDE46-A RD 0.35 MCV	SH_FDE46-A	1-5
6-6	SH_FDE46-A	984.0 1032881-XX-F	SH_FDE46-A	1-11
2-8	2-8 Wing ID (GND for Passenger Side)	FDE47-A BU 0.35 MCV		
7-MINUS	7-MINUS Ground	984.0 1032881-XX-F		
1-MINUS	1-MINUS Ground	FDE50-A BK 0.35 MCV		
		984.0 1032881-XX-F		

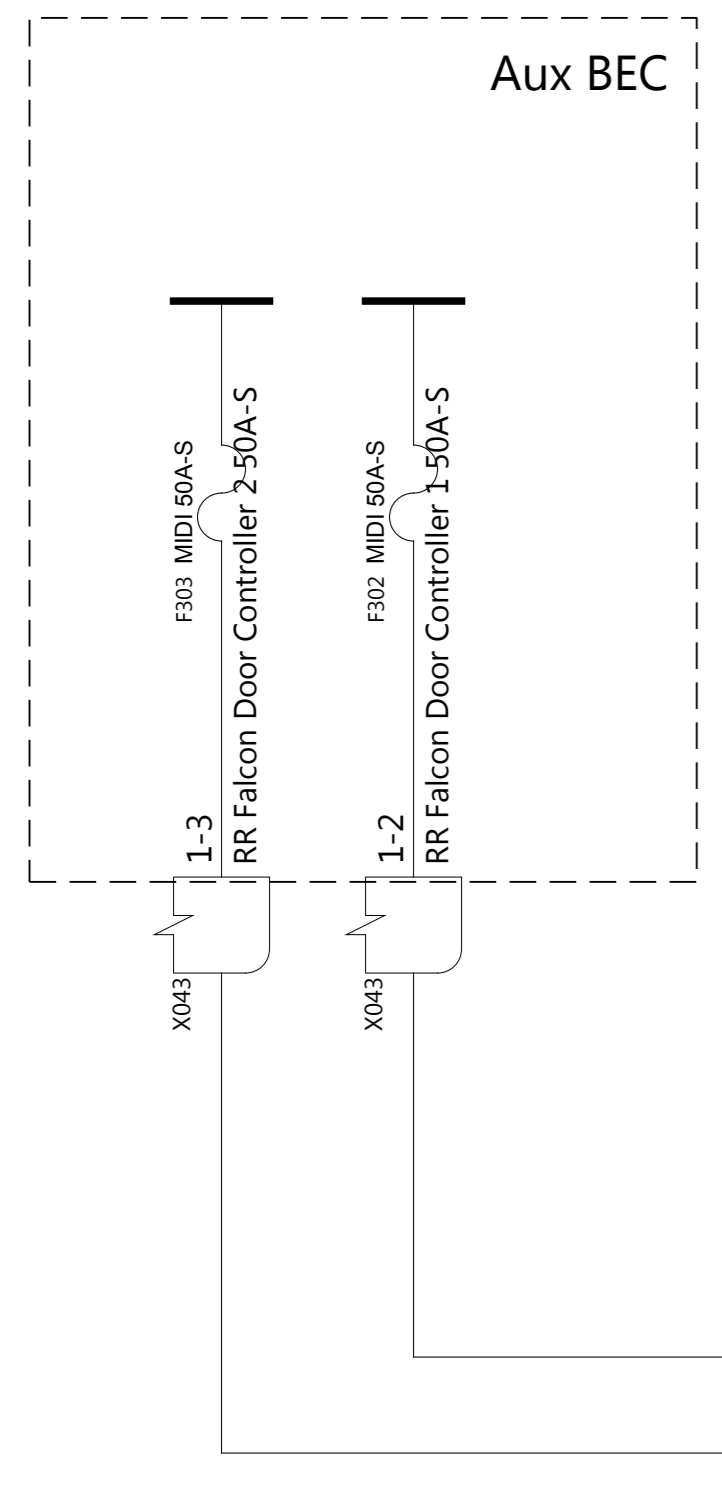
X976 Inline Splice
H, RU X976MX976F



TESLA

THE INFORMATION CONTAINED HEREIN IS DEEMED TO BE CONFIDENTIAL, PROPRIETARY, AND A TRADE SECRET OF TESLA MOTORS. THIS INFORMATION MAY NOT BE USED, REPRODUCED, OR DISCLOSED AS THE DIRECT OR INDIRECT BASIS FOR THE DEVELOPMENT, MANUFACTURE, OR SALE OF PROCESSES OR PRODUCTS WITHOUT THE EXPRESSED WRITTEN CONSENT OF TESLA MOTORS.

DRAWN	CHECKED	APPROVED
MATERIAL AS SPECIFIED	FINISHING AS SPECIFIED	SCALE NONE
PART NAME Falcon Doors (EM) + SNS CAN		
PART NUMBER	REV 1	SHEET 1 OF 5
		SIZE A0



Falcon Controller Rear
H X682 X685 X674 X675 X676 X677 X683

Falcon Strut Right LR
SU X694

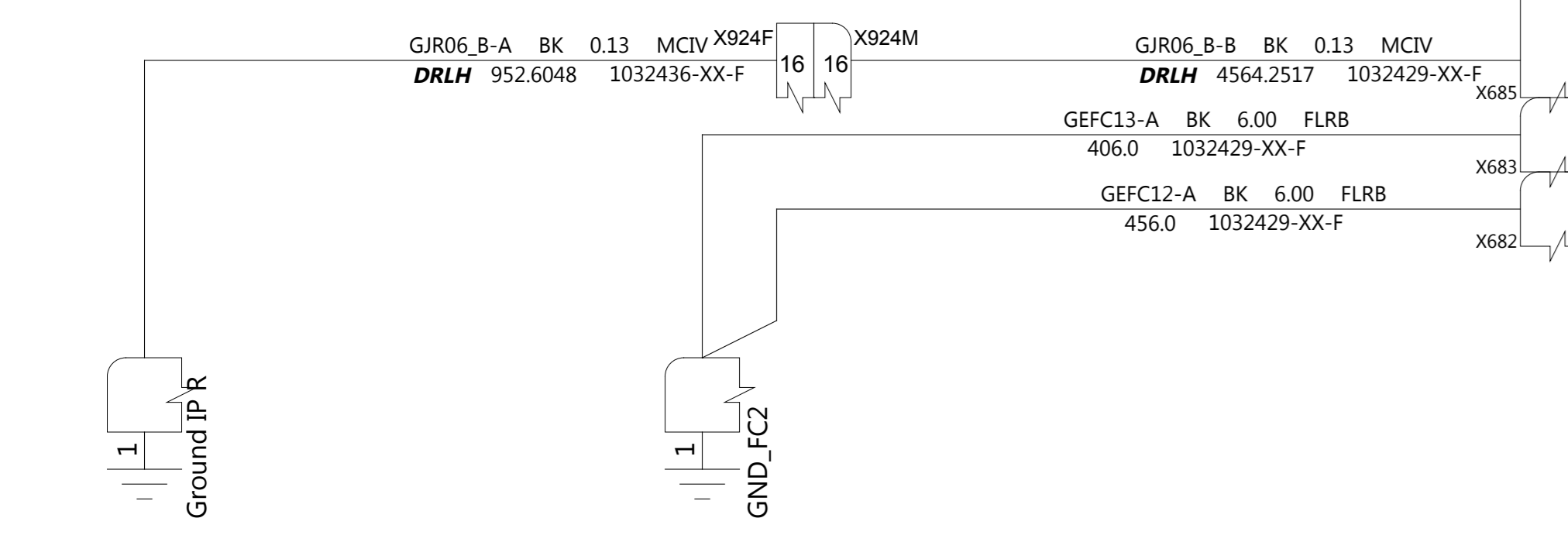
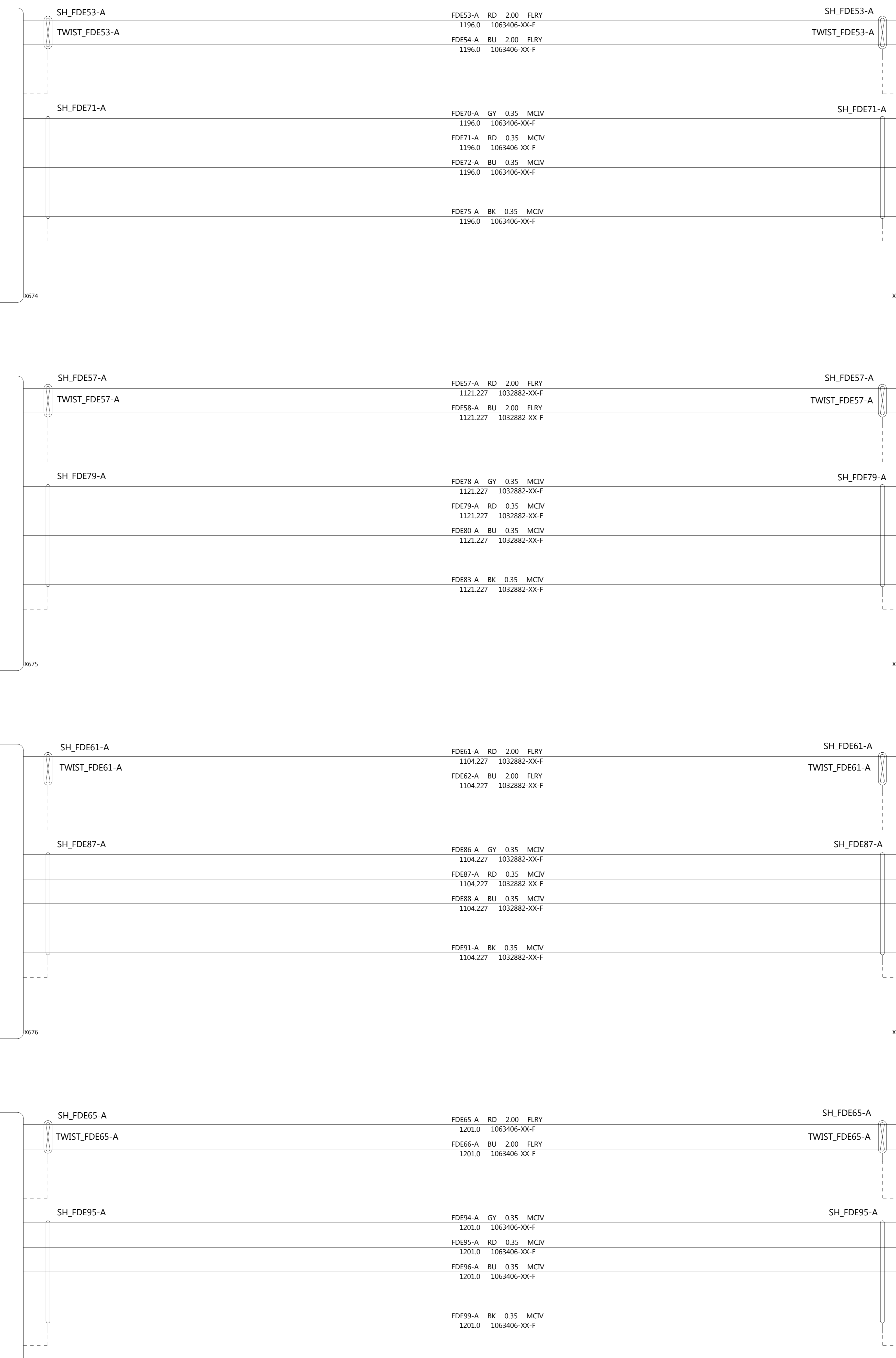
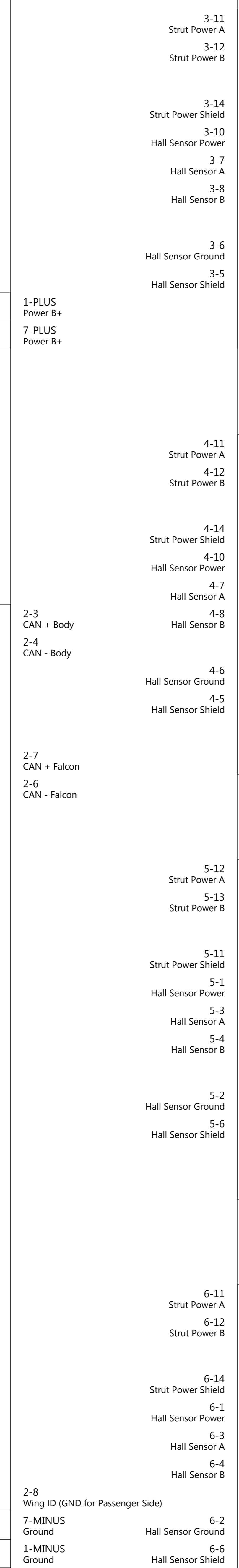
Falcon Strut Right LF
SU X695

Falcon Strut Right UF
SU X696

Falcon Strut Right UR
SU X697

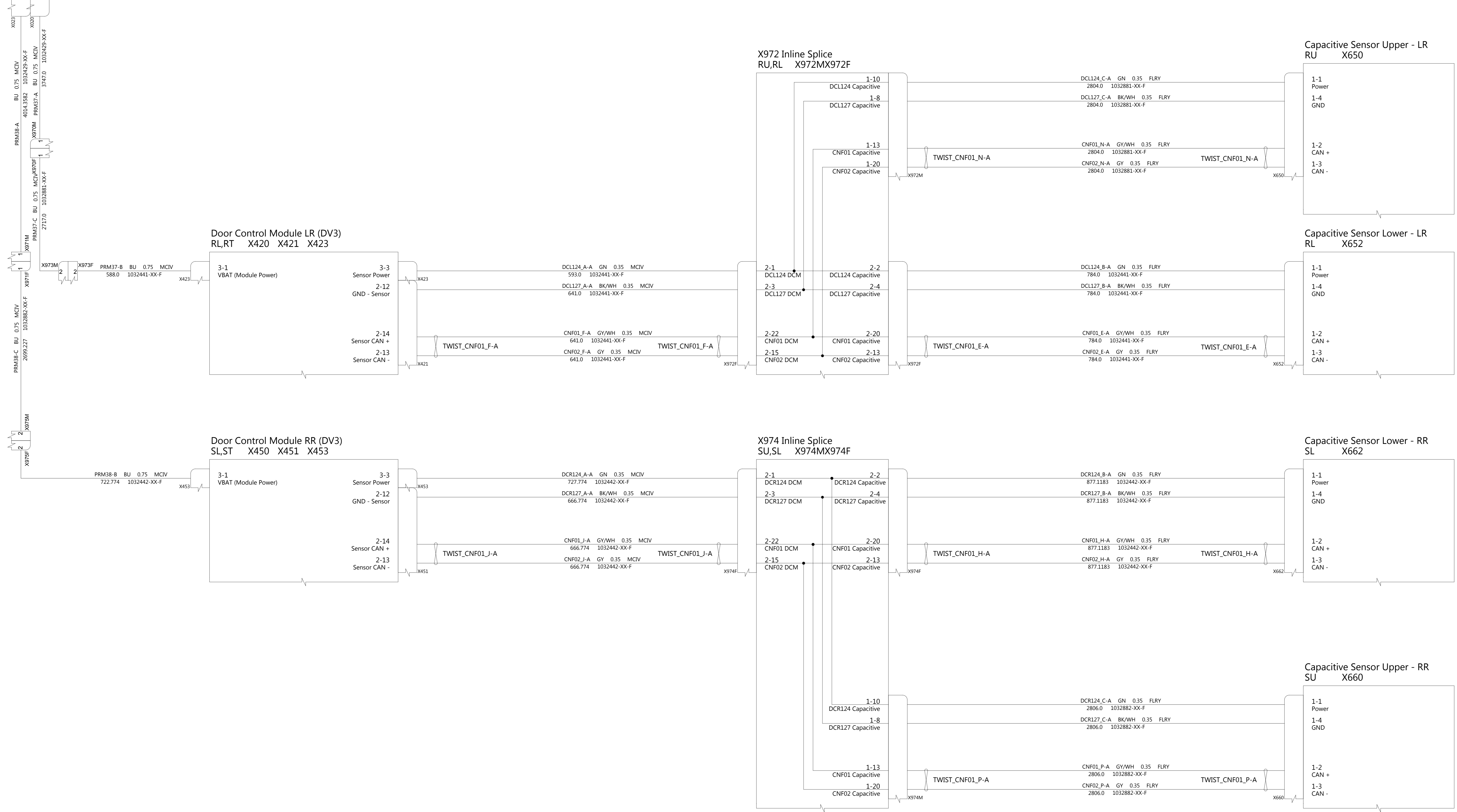
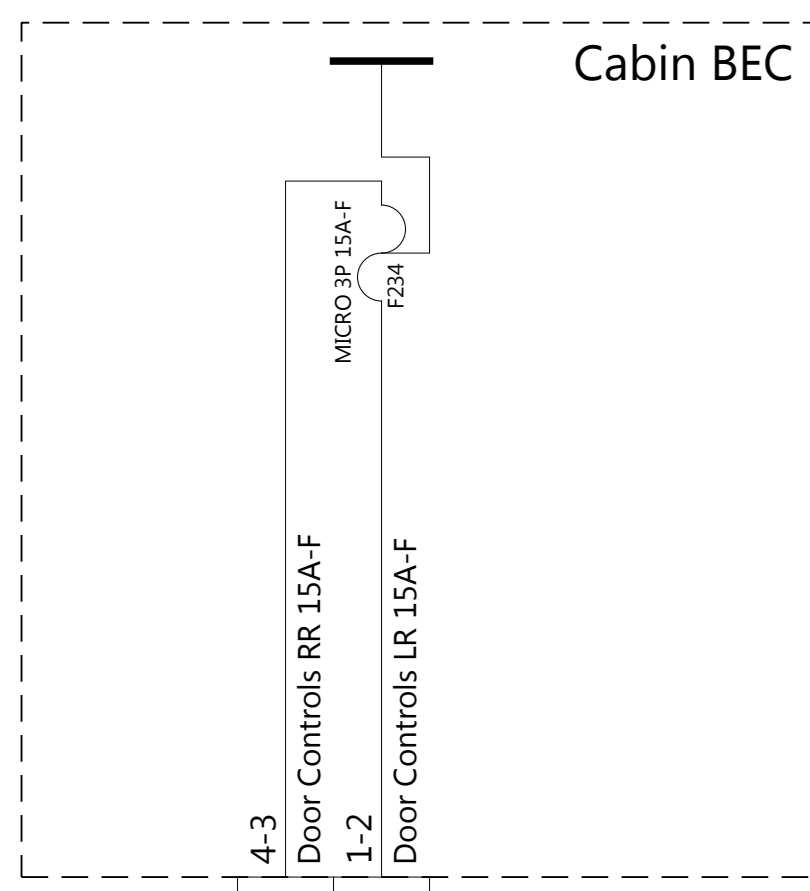
X976 Inline Splice
H, RU X976MX976F

X977 Inline Splice
H, SU X977MX977F



THE INFORMATION CONTAINED HEREIN IS DEEMED TO BE CONFIDENTIAL, PROPRIETARY, AND A TRADE SECRET OF TESLA MOTORS. THIS INFORMATION MAY NOT BE USED, REPRODUCED, OR DISCLOSED AS THE DIRECT OR INDIRECT BASIS FOR THE DEVELOPMENT, MANUFACTURE, OR SALE OF PROCESSES OR PRODUCTS WITHOUT THE EXPRESSED WRITTEN CONSENT OF TESLA MOTORS.

DRAWN	CHECKED	APPROVED
MATERIAL AS SPECIFIED	FINISHING AS SPECIFIED	SCALE NONE
PART NAME Falcon Doors (EM) + SNS CAN		
PART NUMBER	REV 1	SHEET 2 OF 5
		SIZE A0



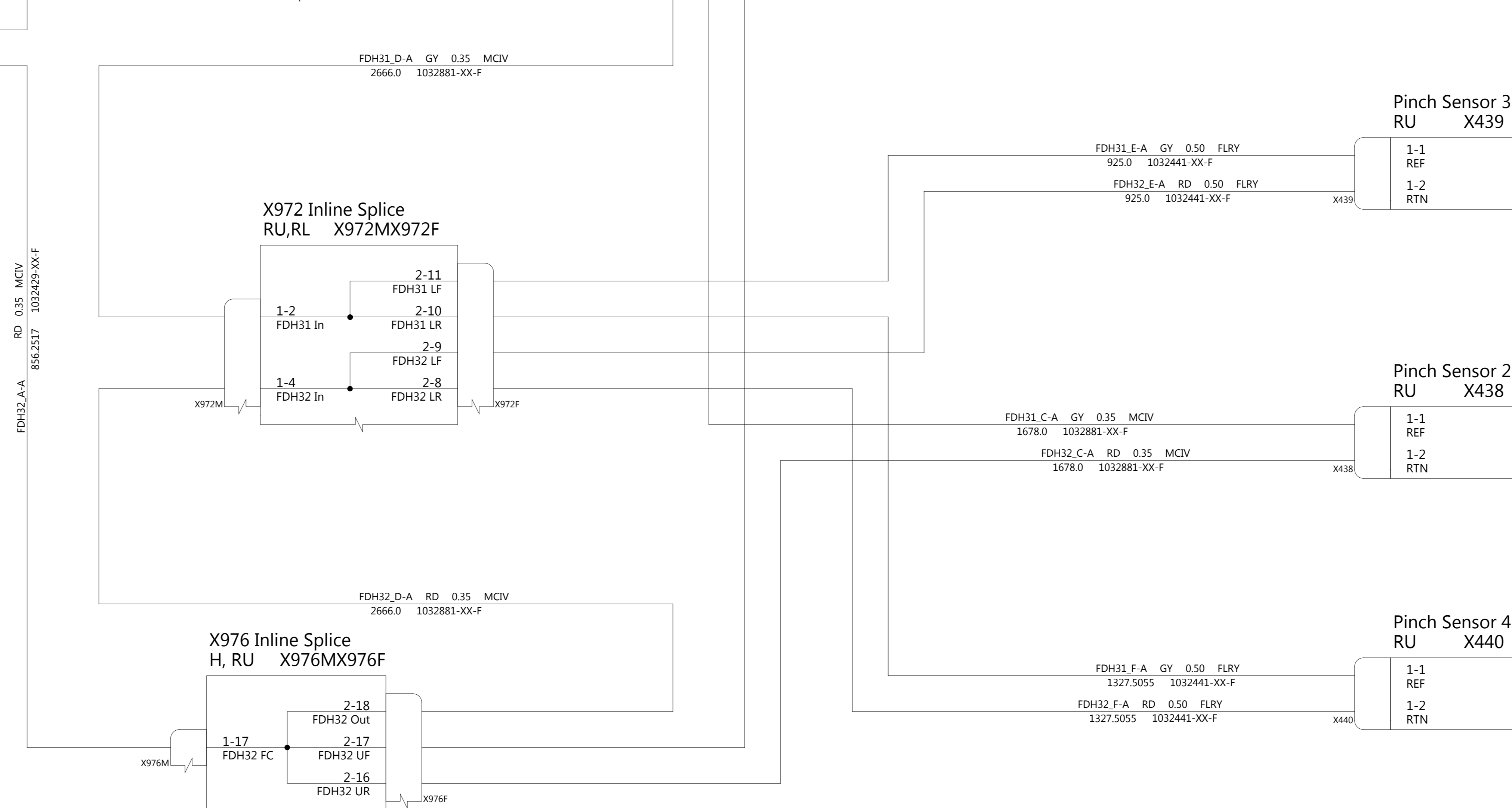
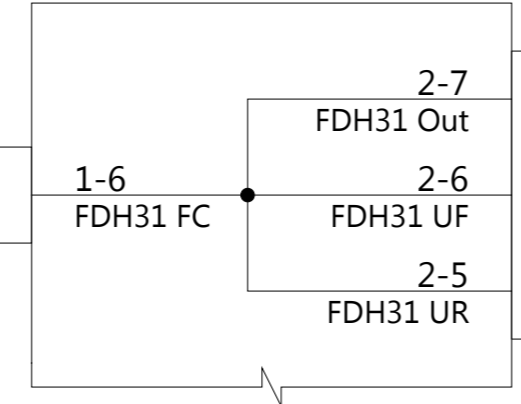
THE INFORMATION CONTAINED HEREIN IS DEEMED TO BE CONFIDENTIAL, PROPRIETARY, AND A TRADE SECRET OF TESLA MOTORS. THIS INFORMATION MAY NOT BE USED, REPRODUCED, OR DISCLOSED AS THE DIRECT OR INDIRECT BASIS FOR THE DEVELOPMENT, MANUFACTURE, OR SALE OF PROCESSES OR PRODUCTS WITHOUT THE EXPRESSED WRITTEN CONSENT OF TESLA MOTORS.

DRAWN	CHECKED	APPROVED
MATERIAL AS SPECIFIED	FINISHING AS SPECIFIED	SCALE NONE
PART NAME Falcon Doors (EM) + SNS CAN		
PART NUMBER	REV	SHEET
	2	3 OF 5
		SIZE A0

Falcon Controller Front
H X680 X684 X670 X671 X672 X673 X681



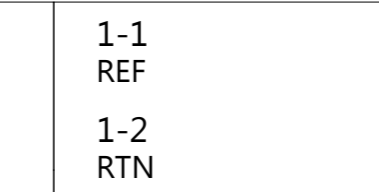
X976 Inline Splice
H, RU X976MX976F



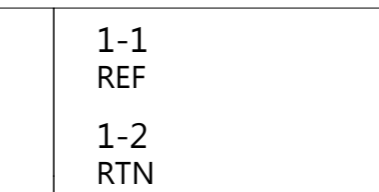
Pinch Sensor 1 LR - Upper Forward
RU X437



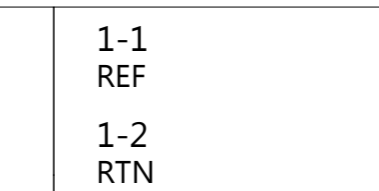
Pinch Sensor 3 LR - Lower Forward
RU X439



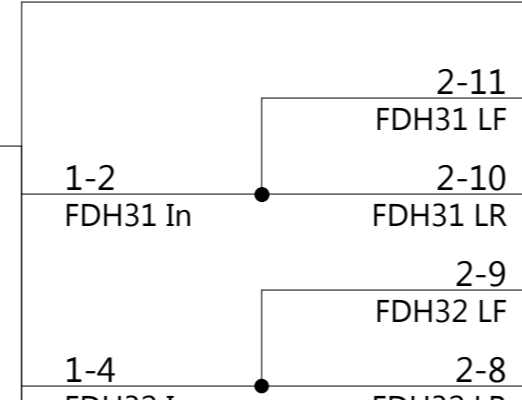
Pinch Sensor 2 LR - Upper Rear
RU X438



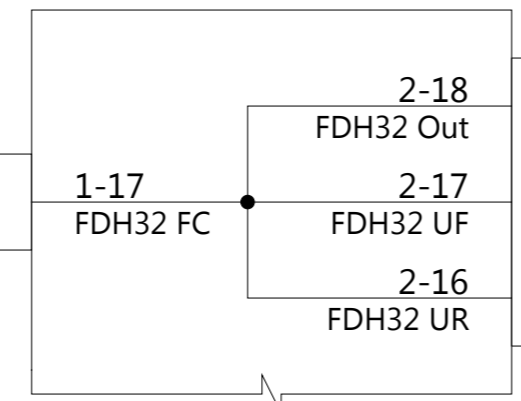
Pinch Sensor 4 LR - Lower Rear
RU X440



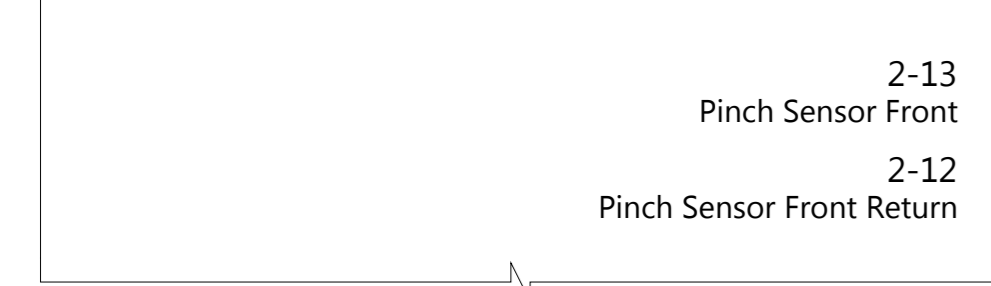
X972 Inline Splice
RU, RL X972MX972F



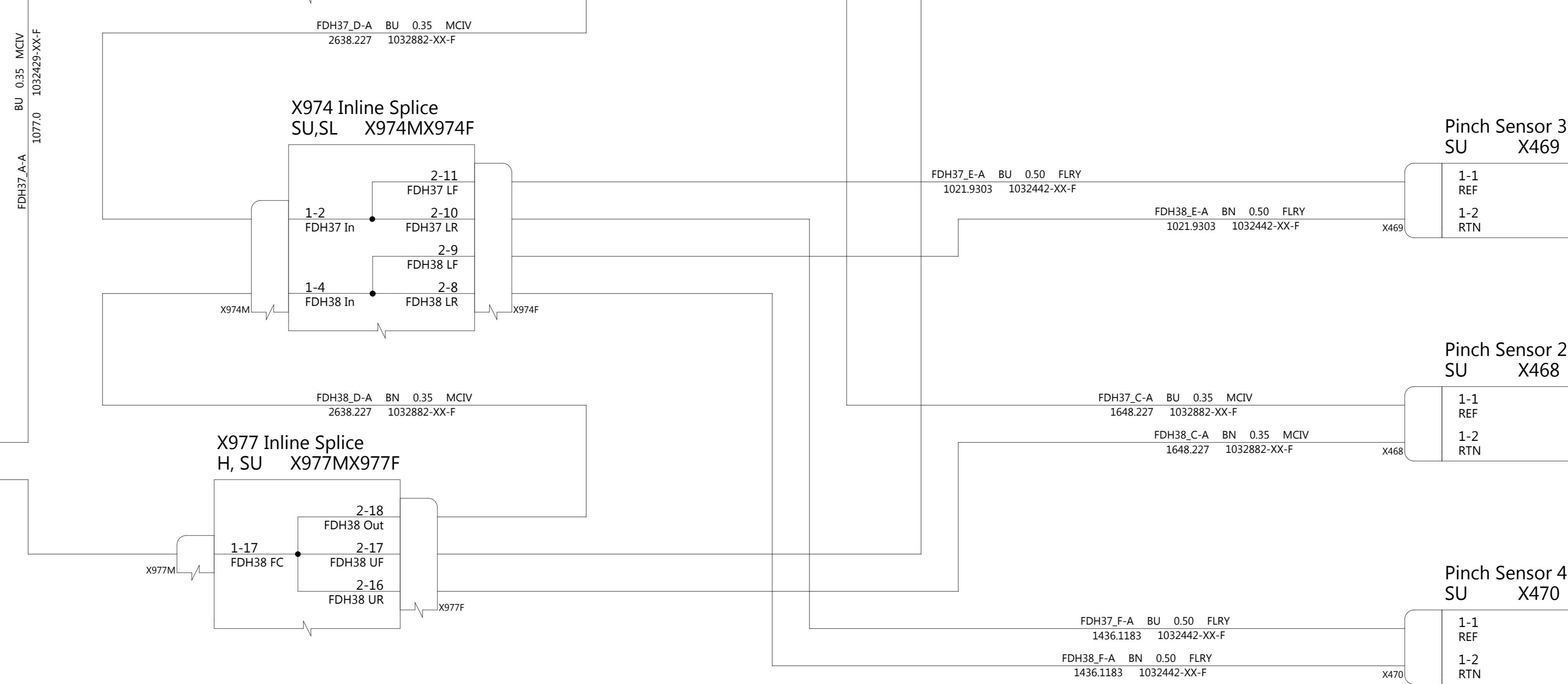
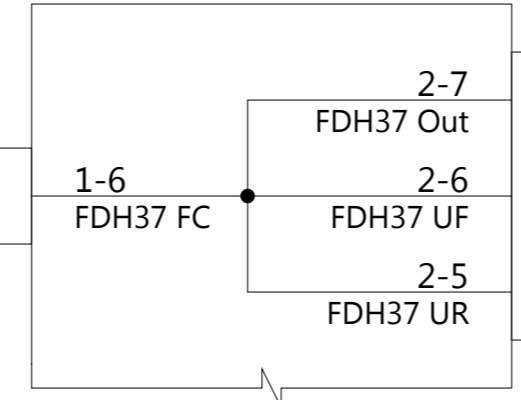
X976 Inline Splice
H, RU X976MX976F



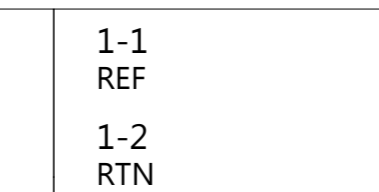
Falcon Controller Rear
H X682 X685 X674 X675 X676 X677 X683



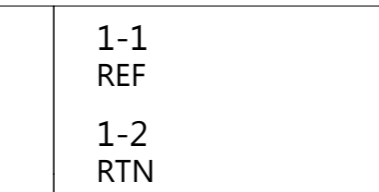
X977 Inline Splice
H, SU X977MX977F



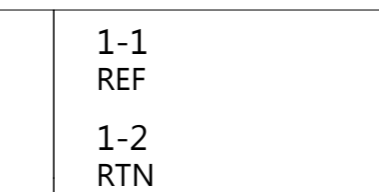
Pinch Sensor 1 RR - Upper Forward
SU X467



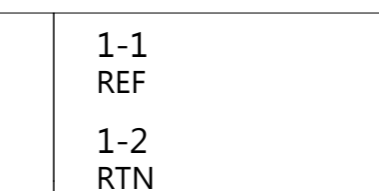
Pinch Sensor 3 RR - Lower Forward
SU X469



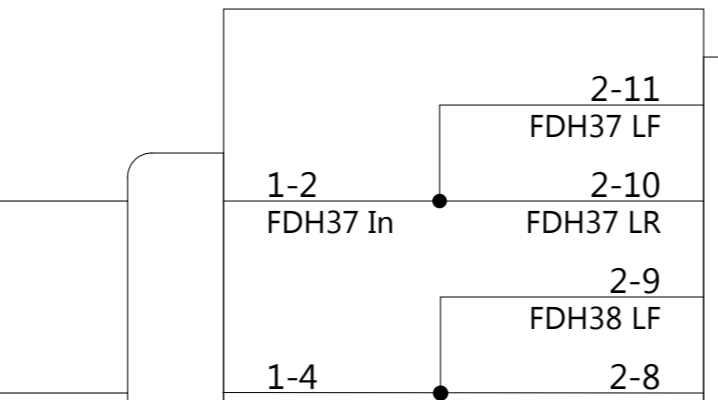
Pinch Sensor 2 RR - Upper Rear
SU X468



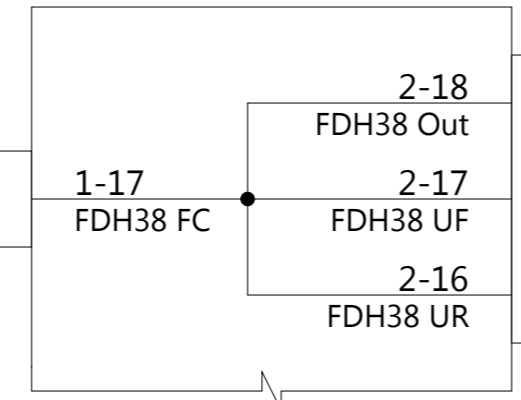
Pinch Sensor 4 RR - Lower Rear
SU X470



X974 Inline Splice
SU, SL X974MX974F



X977 Inline Splice
H, SU X977MX977F



TESLA

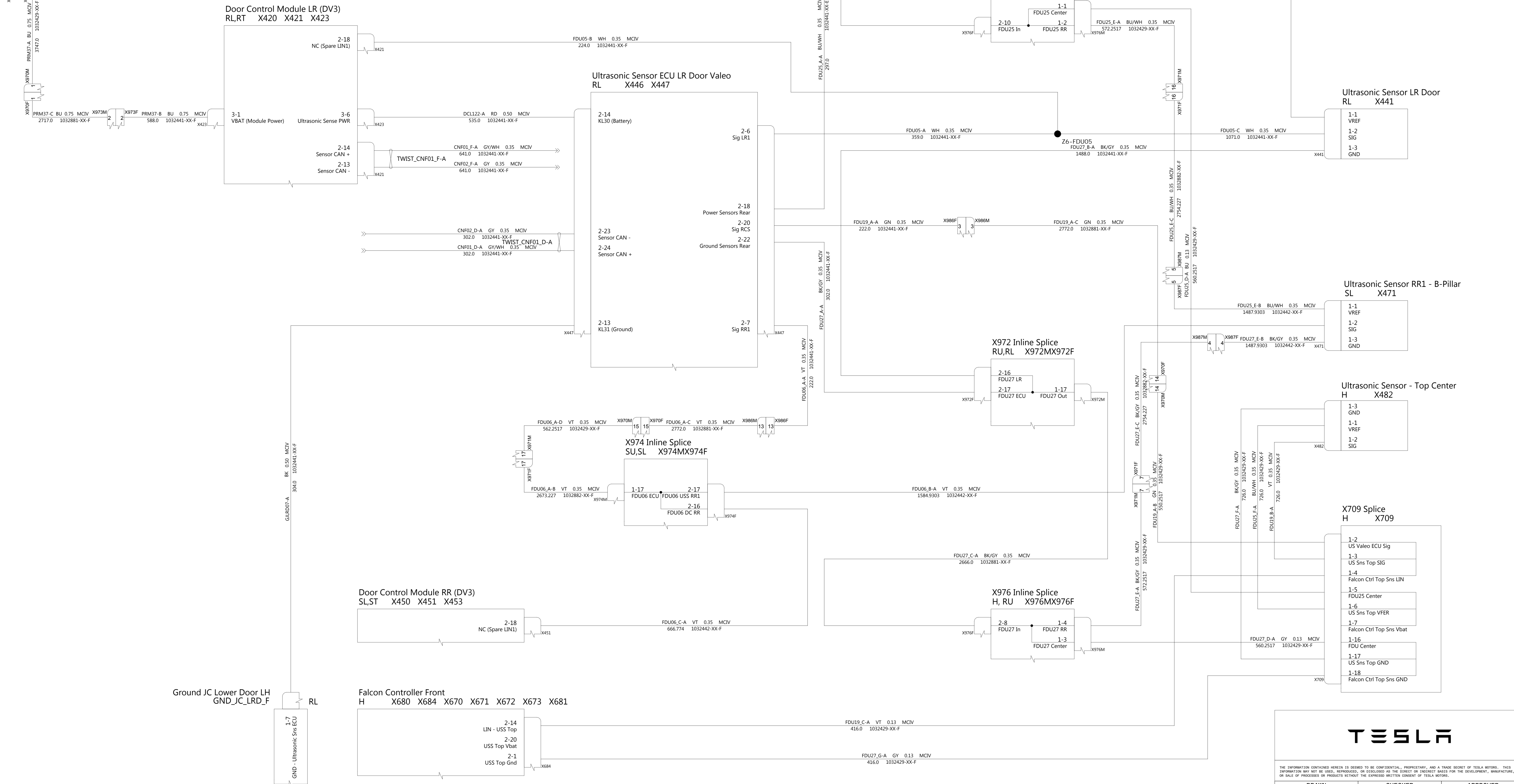
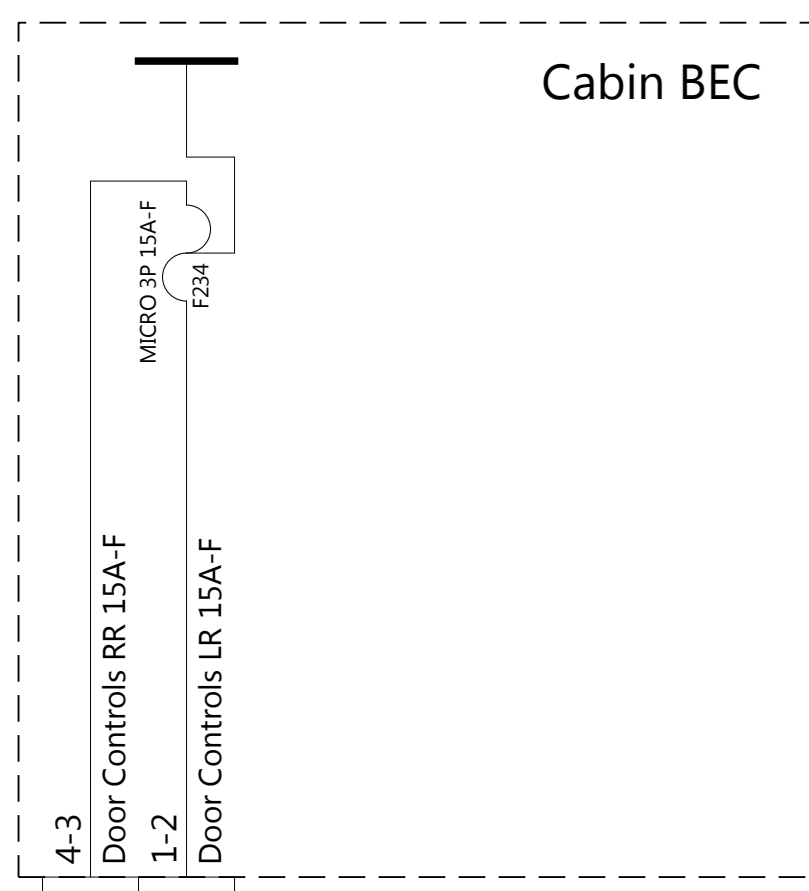
THE INFORMATION CONTAINED HEREIN IS DEEMED TO BE CONFIDENTIAL, PROPRIETARY, AND A TRADE SECRET OF TESLA MOTORS. THIS INFORMATION MAY NOT BE USED, REPRODUCED, OR DISCLOSED AS THE DIRECT OR INDIRECT BASIS FOR THE DEVELOPMENT, MANUFACTURE, OR SALE OF PROCESSES OR PRODUCTS WITHOUT THE EXPRESSED WRITTEN CONSENT OF TESLA MOTORS.

DRAWN	CHECKED	APPROVED
-------	---------	----------

MATERIAL AS SPECIFIED	FINISHING AS SPECIFIED	SCALE NONE
--------------------------	---------------------------	---------------

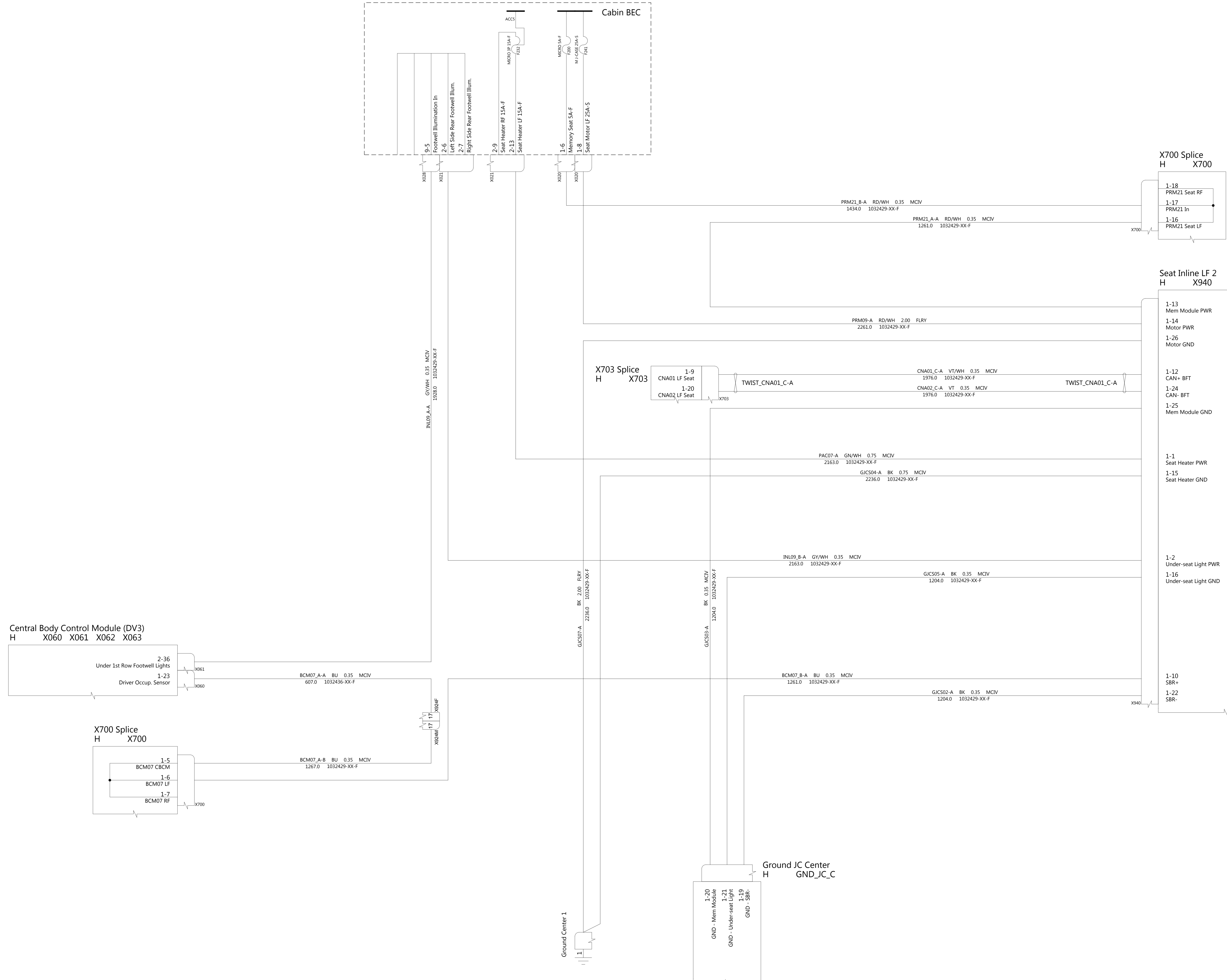
PART NAME
Falcon Doors (EM) + SNS CAN

PART NUMBER	REV	SHEET	SIZE
	2	4 OF 5	A0



THE INFORMATION CONTAINED HEREIN IS DEEMED TO BE CONFIDENTIAL, PROPRIETARY, AND A TRADE SECRET OF TESLA MOTORS. THIS INFORMATION MAY NOT BE USED, REPRODUCED, OR DISCLOSED AS THE DIRECT OR INDIRECT BASIS FOR THE DEVELOPMENT, MANUFACTURE, OR SALE OF PROCESSES OR PRODUCTS WITHOUT THE EXPRESSED WRITTEN CONSENT OF TESLA MOTORS.

DRAWN	CHECKED	APPROVED
MATERIAL AS SPECIFIED	FINISHING AS SPECIFIED	SCALE NONE
PART NAME Falcon Doors (EM) + SNS CAN		
PART NUMBER	REV	SHEET
	2	5 OF 5
		SIZE A0



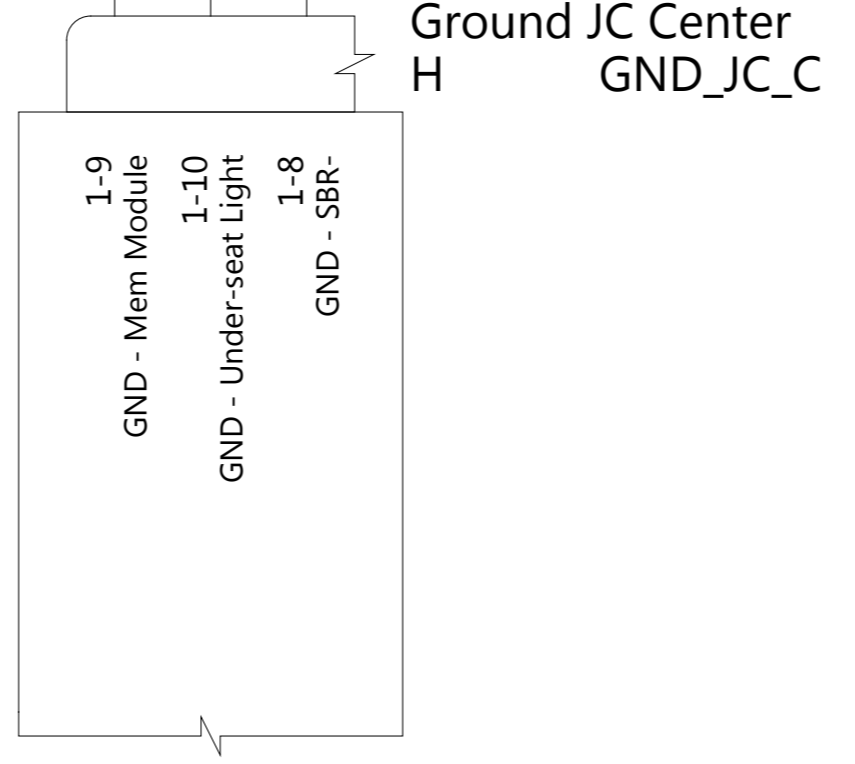
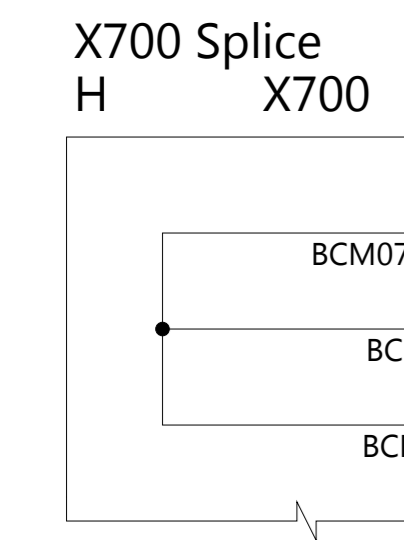
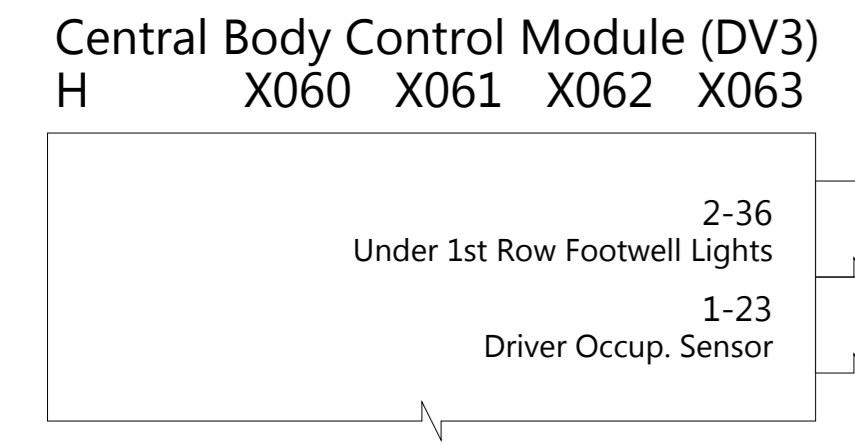
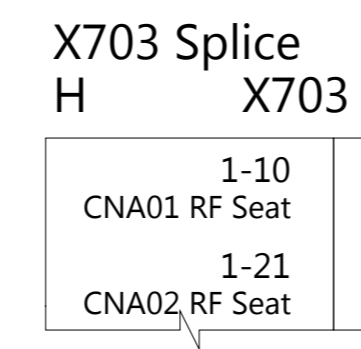
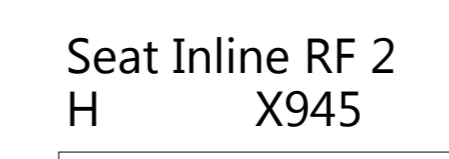
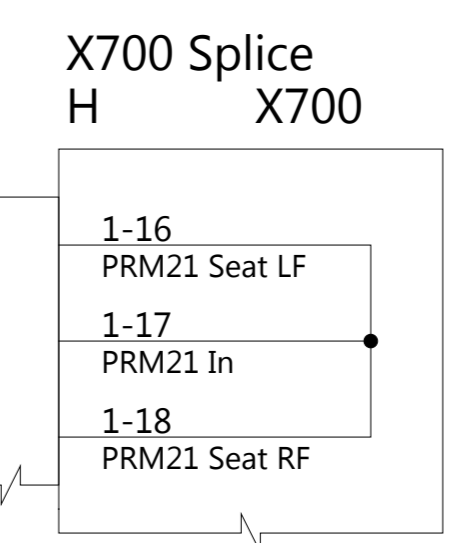
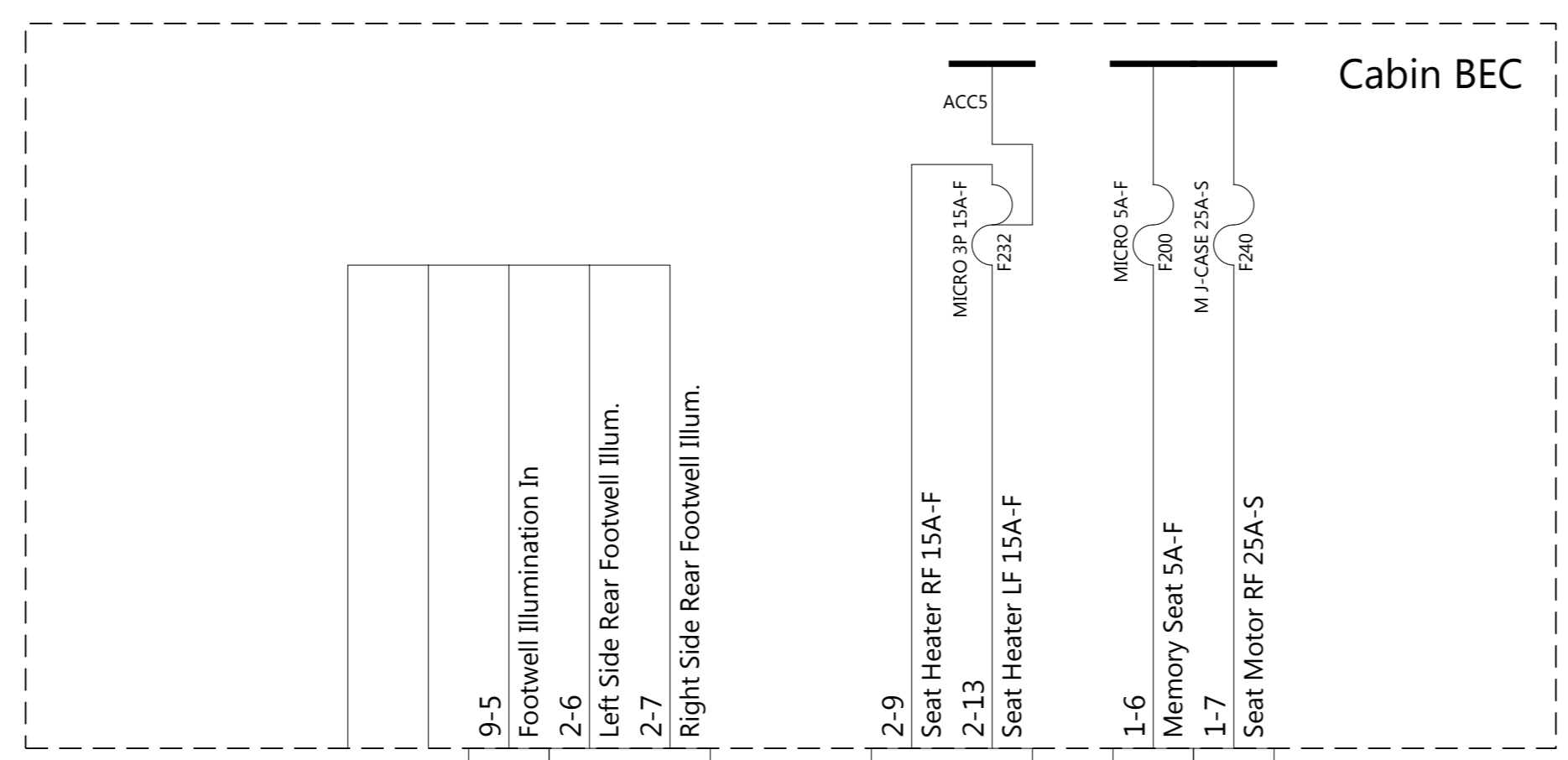
THE INFORMATION CONTAINED HEREIN IS DEEMED TO BE CONFIDENTIAL, PROPRIETARY, AND A TRADE SECRET OF TESLA MOTORS. THIS INFORMATION MAY NOT BE USED, REPRODUCED, OR DISCLOSED AS THE DIRECT OR INDIRECT BASIS FOR THE DEVELOPMENT, MANUFACTURE, OR SALE OF PROCESSES OR PRODUCTS WITHOUT THE EXPRESSED WRITTEN CONSENT OF TESLA MOTORS.

DRAWN	CHECKED	APPROVED
-------	---------	----------

MATERIAL AS SPECIFIED	FINISHING AS SPECIFIED	SCALE NONE
--------------------------	---------------------------	---------------

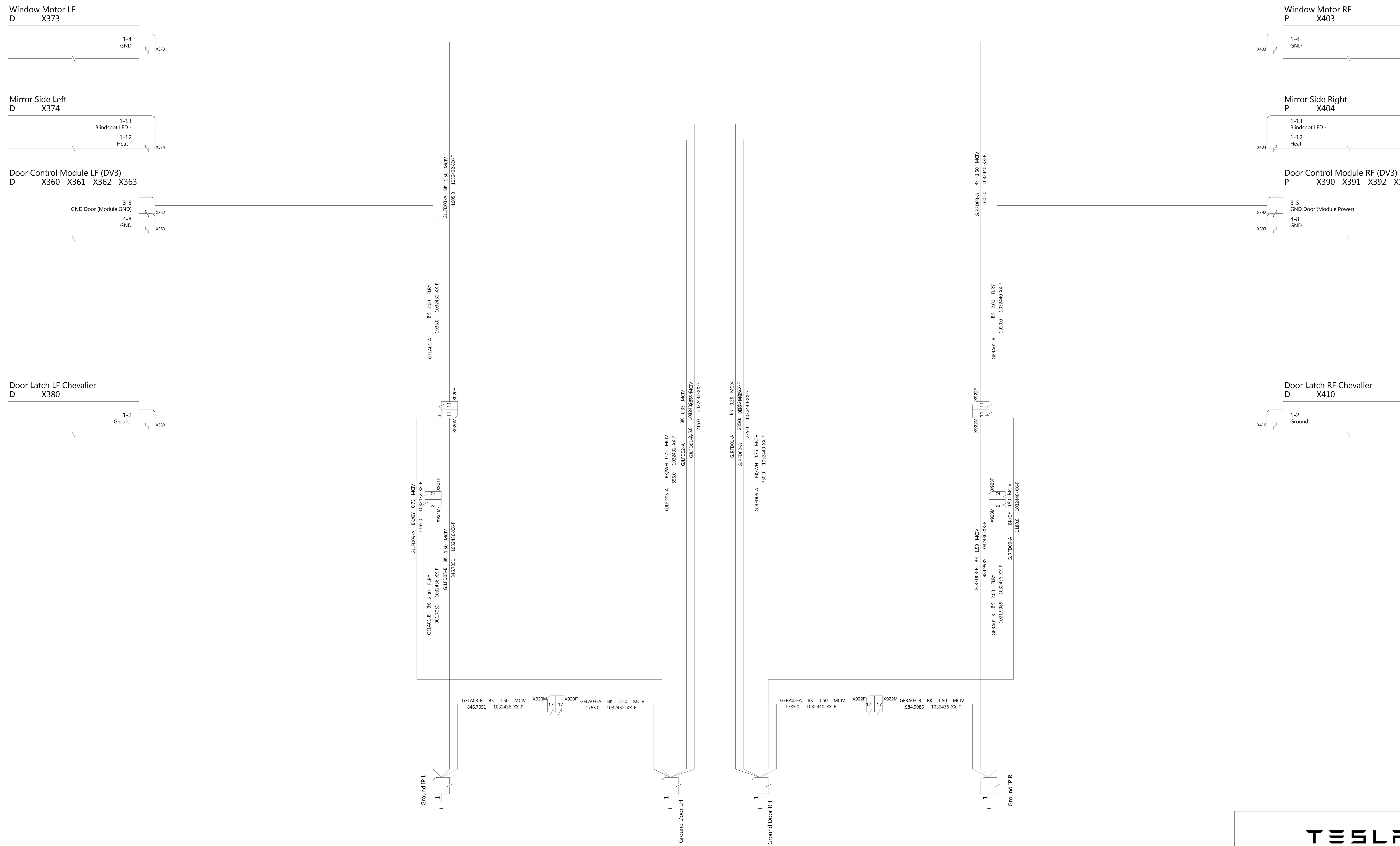
PART NAME
Front Seat Interface LHS (DV2 MCU1.5)

PART NUMBER	REV	SHEET	SIZE
	1	1 OF 1	A0



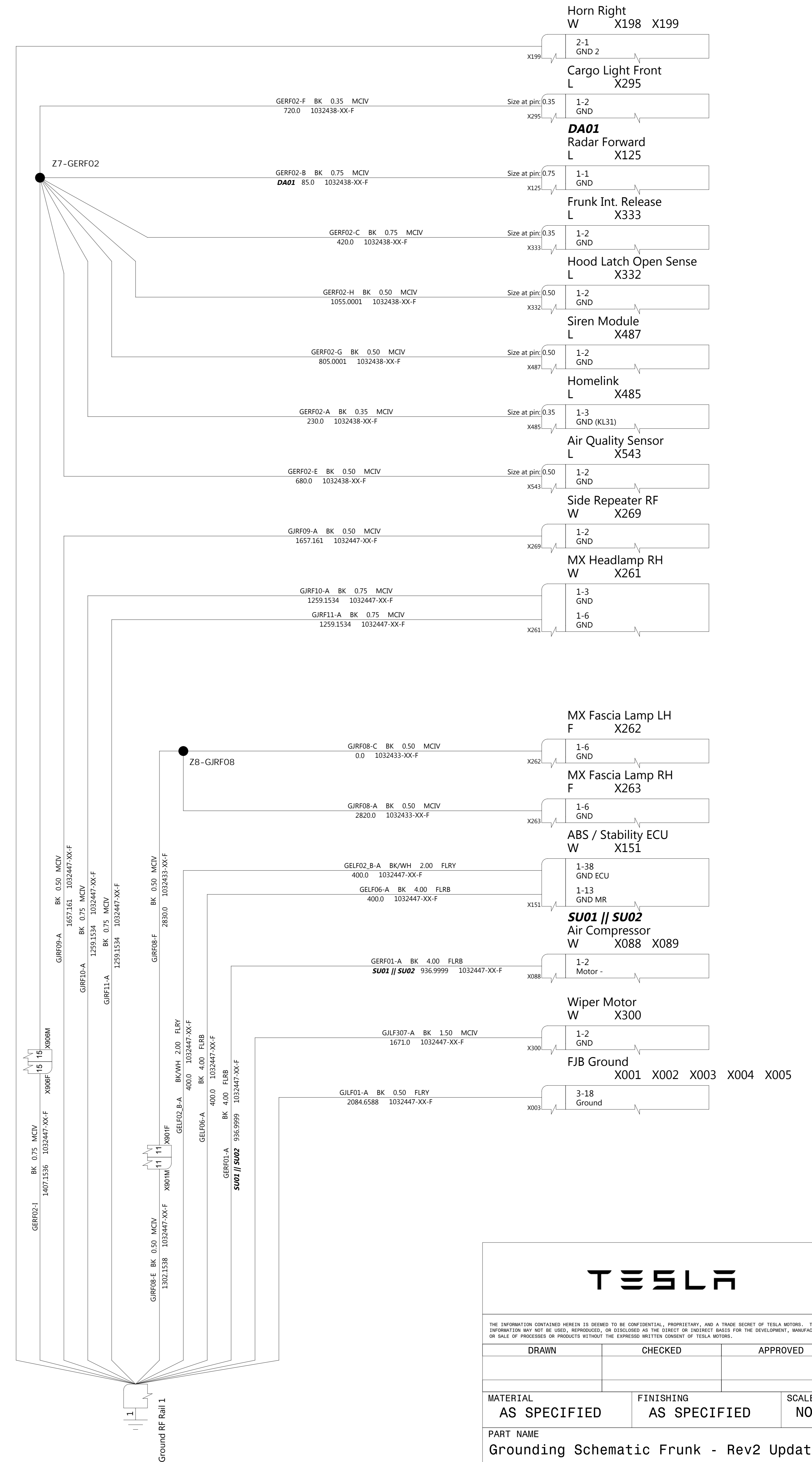
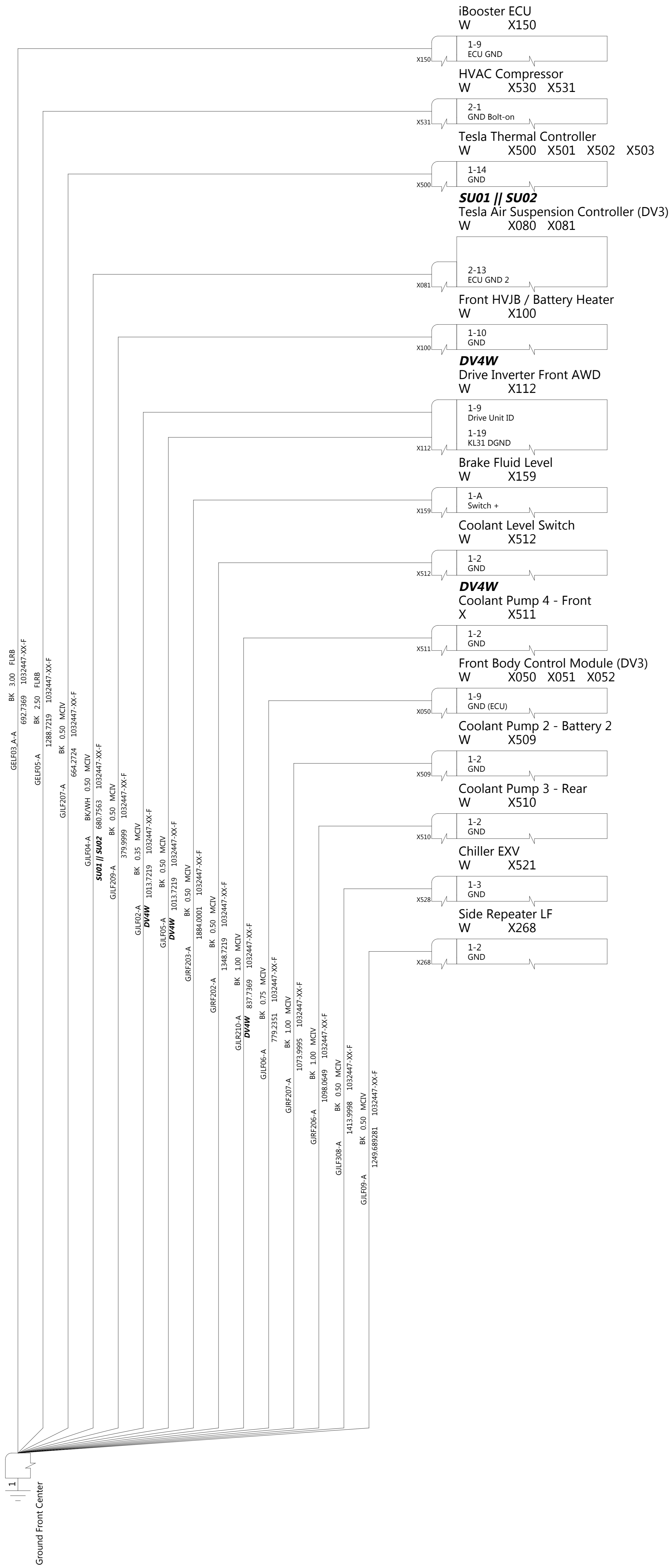
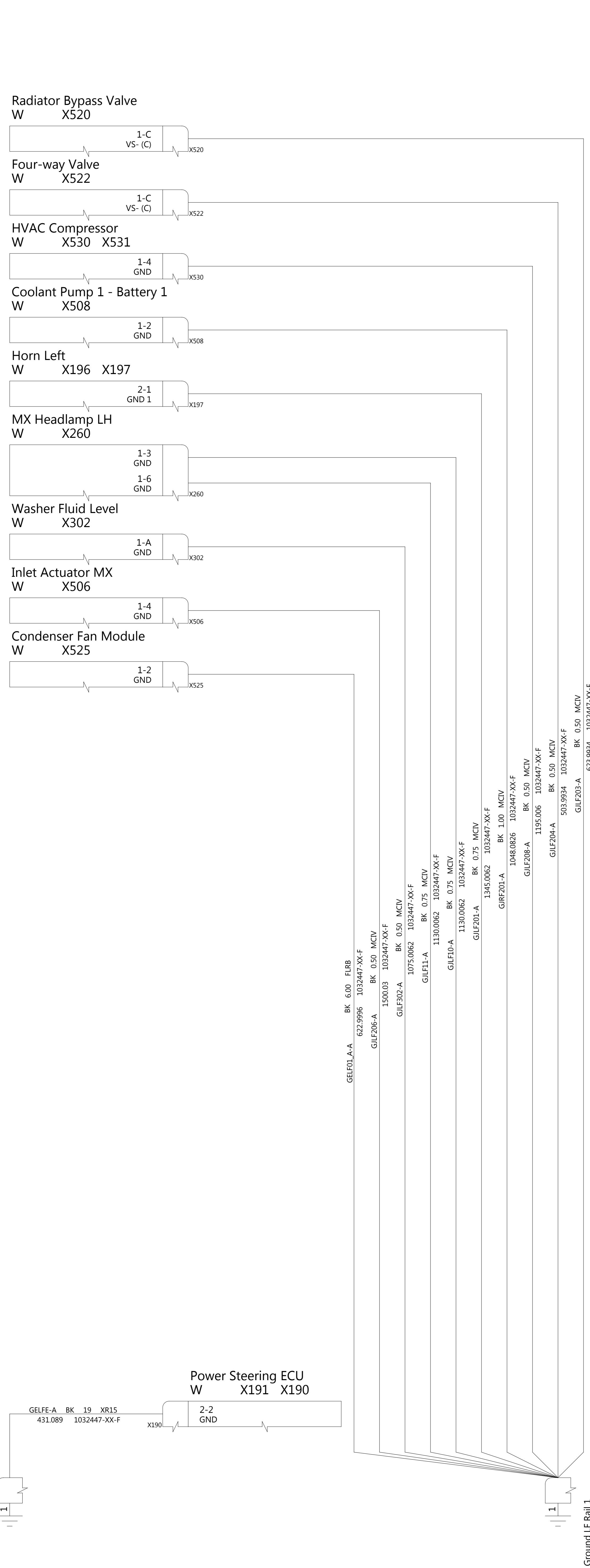
THE INFORMATION CONTAINED HEREIN IS DEEMED TO BE CONFIDENTIAL, PROPRIETARY, AND A TRADE SECRET OF TESLA MOTORS. THIS INFORMATION MAY NOT BE USED, REPRODUCED, OR DISCLOSED AS THE DIRECT OR INDIRECT BASIS FOR THE DEVELOPMENT, MANUFACTURE, OR SALE OF PROCESSES OR PRODUCTS WITHOUT THE EXPRESSED WRITTEN CONSENT OF TESLA MOTORS.

DRAWN	CHECKED	APPROVED
MATERIAL AS SPECIFIED	FINISHING AS SPECIFIED	SCALE NONE
PART NAME Front Seat Interface RHS (DV2 MCU1.5)		
PART NUMBER	REV 1	SHEET 1 OF 1
		SIZE A0



THE INFORMATION CONTAINED HEREIN IS DEEMED TO BE CONFIDENTIAL, PROPRIETARY, AND A TRADE SECRET OF TESLA MOTORS. THIS INFORMATION MAY NOT BE USED, REPRODUCED, OR DISCLOSED AS THE DIRECT OR INDIRECT BASIS FOR THE DEVELOPMENT, MANUFACTURE, OR SALE OF PROCESSES OR PRODUCTS WITHOUT THE EXPRESS WRITTEN CONSENT OF TESLA MOTORS.

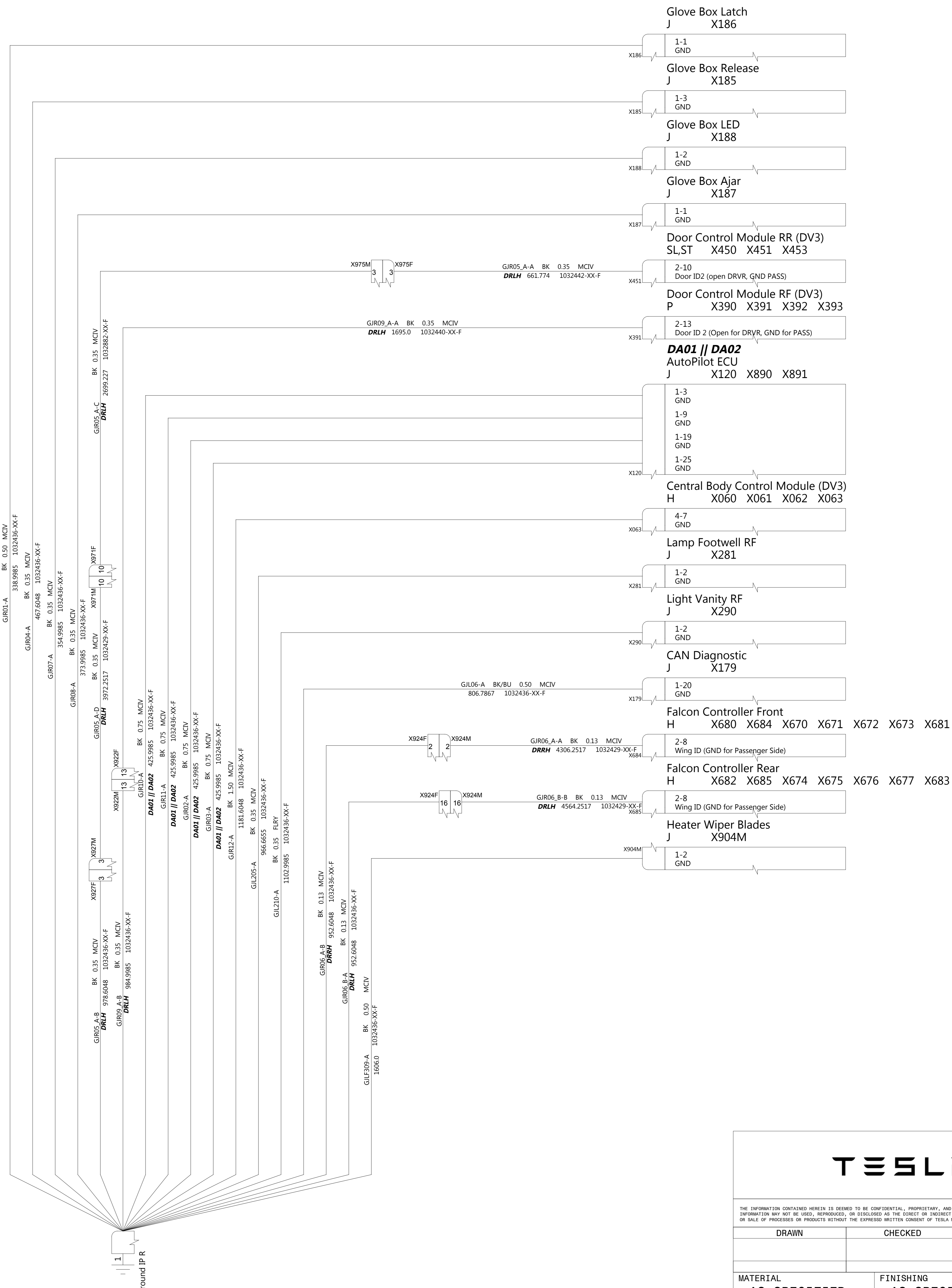
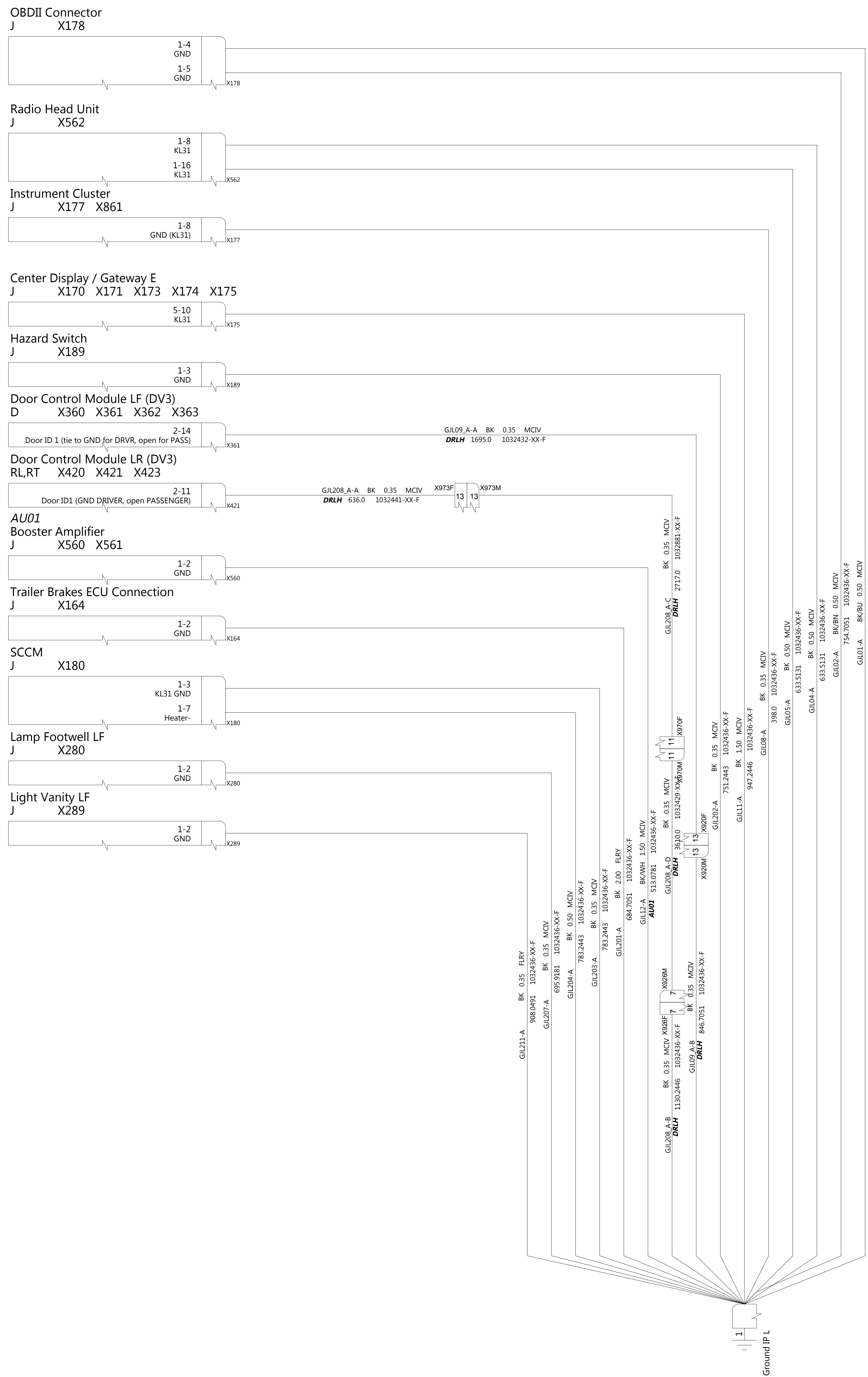
DRAWN	CHECKED	APPROVED
MATERIAL AS SPECIFIED	FINISHING AS SPECIFIED	SCALE NONE
PART NAME Grounding schematic for A-Pillar grounds		
PART NUMBER	REV	SHEET
	1	1 OF 1
		SIZE A0



TESLA

THE INFORMATION CONTAINED HEREIN IS DEEMED TO BE CONFIDENTIAL, PROPRIETARY, AND A TRADE SECRET OF TESLA MOTORS. THIS INFORMATION MAY NOT BE USED, REPRODUCED, OR DISCLOSED AS THE DIRECT OR INDIRECT BASIS FOR THE DEVELOPMENT, MANUFACTURE, OR SALE OF PROCESSES OR PRODUCTS WITHOUT THE EXPRESS WRITTEN CONSENT OF TESLA MOTORS.

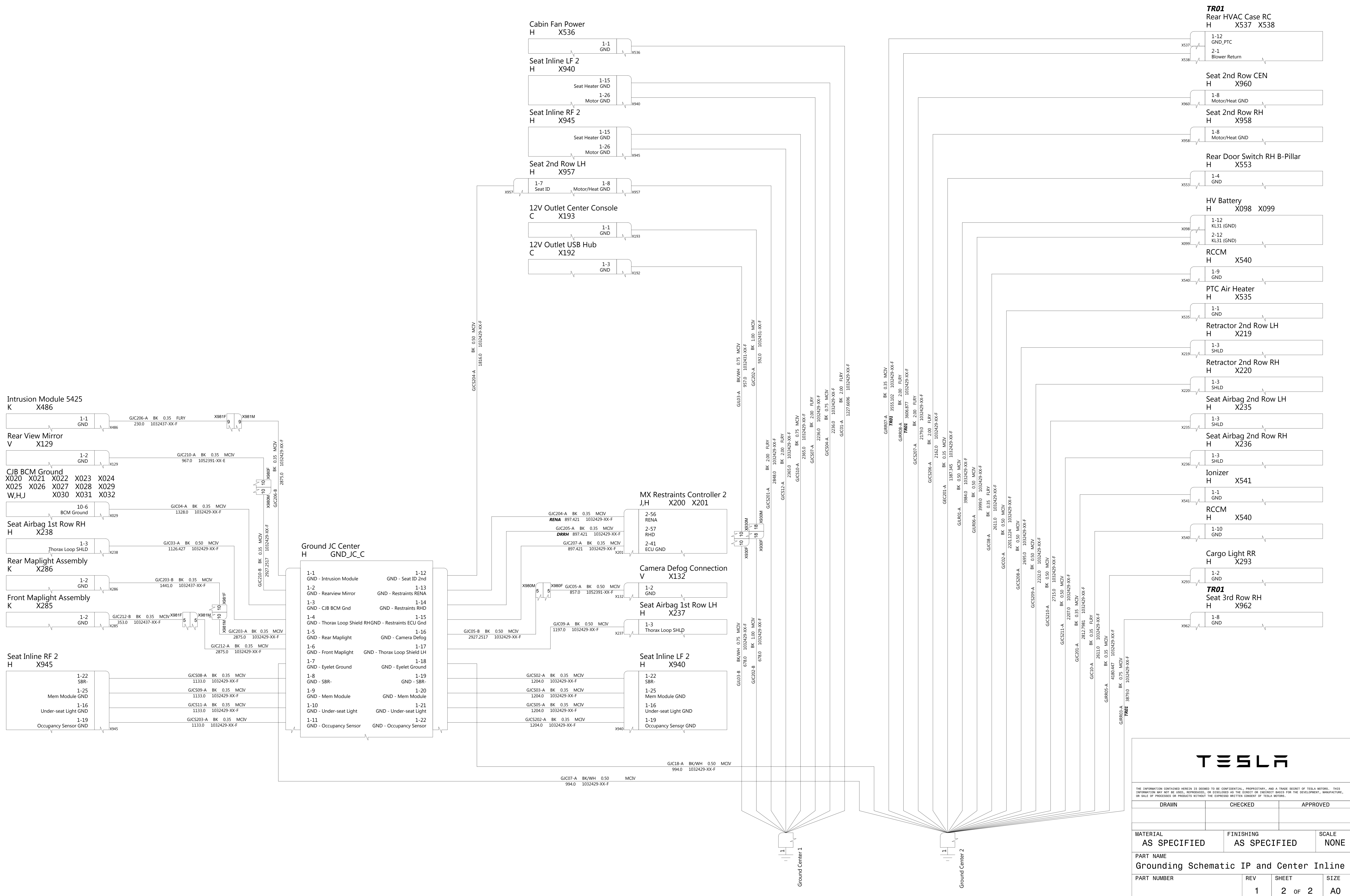
DRAWN	CHECKED	APPROVED
MATERIAL AS SPECIFIED	FINISHING AS SPECIFIED	SCALE NONE
PART NAME Grounding Schematic Frunk - Rev2 Updated		
PART NUMBER	REV	SHEET
	1	1 OF 1
		SIZE A0



TESLA

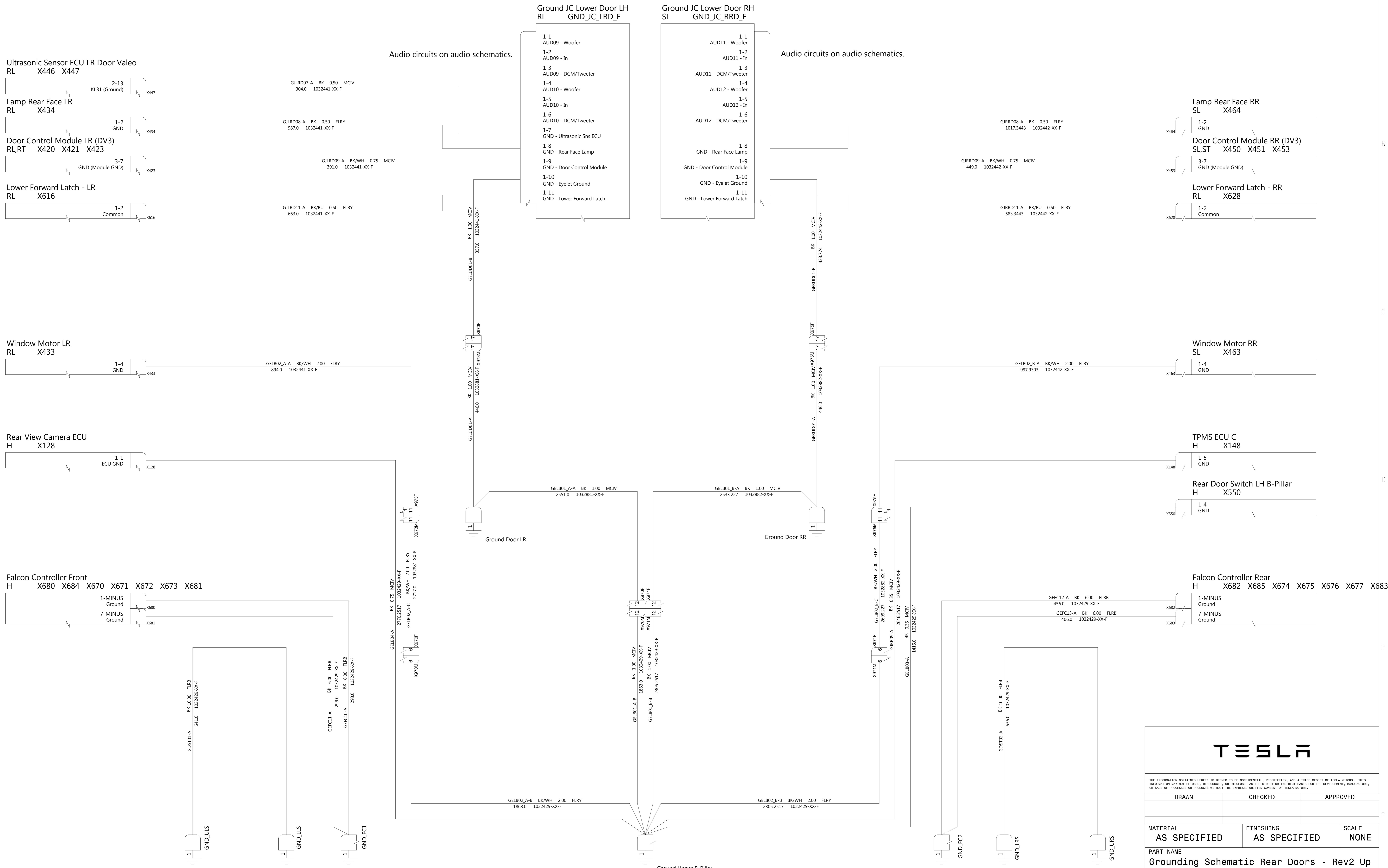
THE INFORMATION CONTAINED HEREIN IS DEEMED TO BE CONFIDENTIAL, PROPRIETARY, AND A TRADE SECRET OF TESLA MOTORS. THIS INFORMATION MAY NOT BE USED, REPRODUCED, OR DISCLOSED AS THE DIRECT OR INDIRECT BASIS FOR THE DEVELOPMENT, MANUFACTURE, OR SALE OF PROCESSES OR PRODUCTS WITHOUT THE EXPRESSED WRITTEN CONSENT OF TESLA MOTORS.

DRAWN	CHECKED	APPROVED
MATERIAL AS SPECIFIED	FINISHING AS SPECIFIED	SCALE NONE
PART NAME Grounding Schematic IP and Center Inline		
PART NUMBER	REV	SHEET
	1	1 OF 2
		SIZE A0



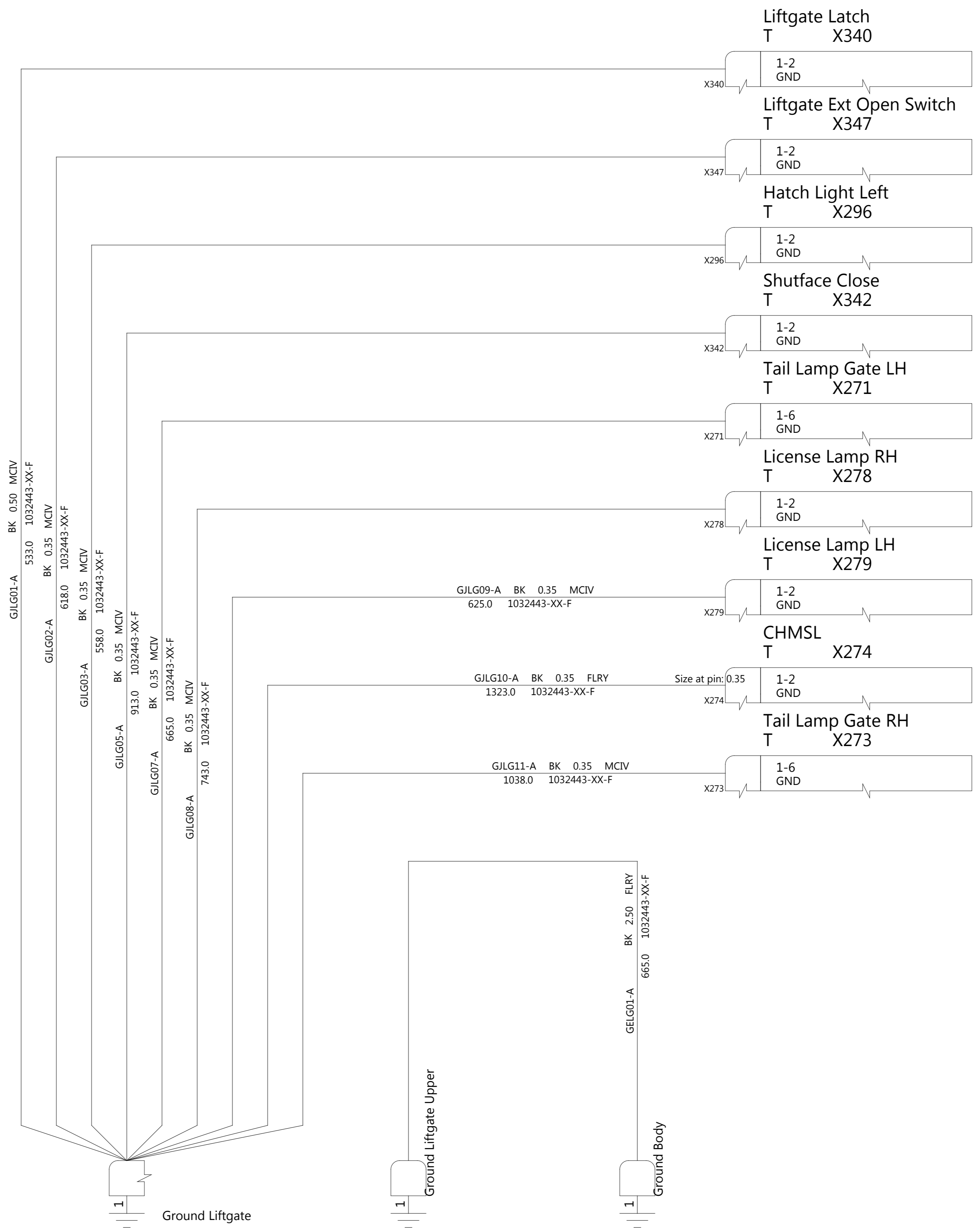
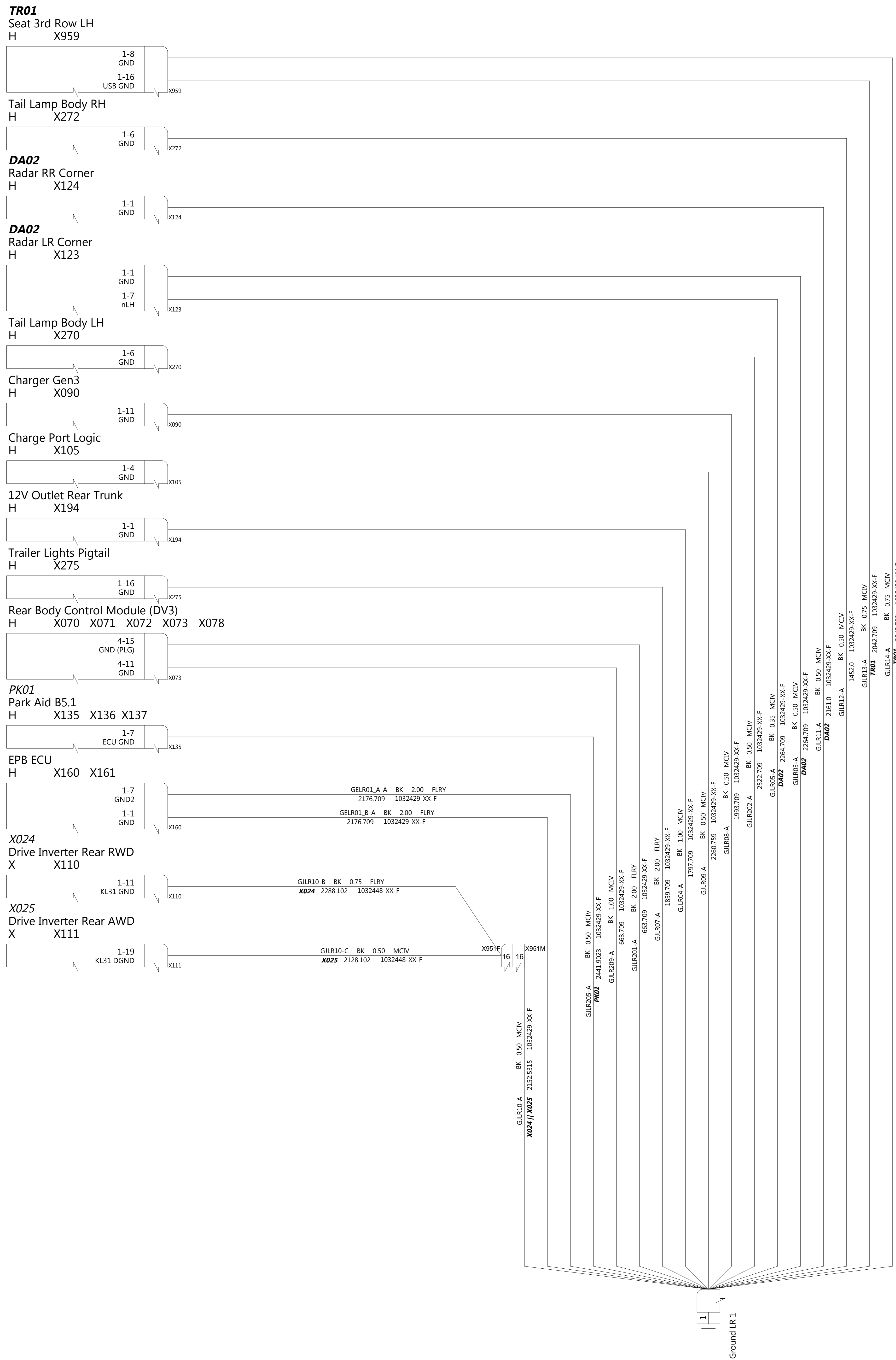
THE INFORMATION CONTAINED HEREIN IS DEEMED TO BE CONFIDENTIAL, PROPRIETARY, AND A TRADE SECRET OF TESLA MOTORS. THIS INFORMATION MAY NOT BE USED, REPRODUCED, OR DISCLOSED AS THE DIRECT OR INDIRECT BASIS FOR THE DEVELOPMENT, MANUFACTURE, OR SALE OF PROCESSES OR PRODUCTS WITHOUT THE EXPRESS WRITTEN CONSENT OF TESLA MOTORS.

DRAWN	CHECKED	APPROVED
MATERIAL AS SPECIFIED	FINISHING AS SPECIFIED	SCALE NONE
PART NAME Grounding Schematic IP and Center Inline		
PART NUMBER	REV	SHEET
	1	2 OF 2
		SIZE
		A0



THE INFORMATION CONTAINED HEREIN IS DEEMED TO BE CONFIDENTIAL, PROPRIETARY, AND A TRADE SECRET OF TESLA MOTORS. THIS INFORMATION MAY NOT BE USED, REPRODUCED, OR DISCLOSED AS THE DIRECT OR INDIRECT BASIS FOR THE DEVELOPMENT, MANUFACTURE, OR SALE OF PROCESSES OR PRODUCTS WITHOUT THE EXPRESSED WRITTEN CONSENT OF TESLA MOTORS.

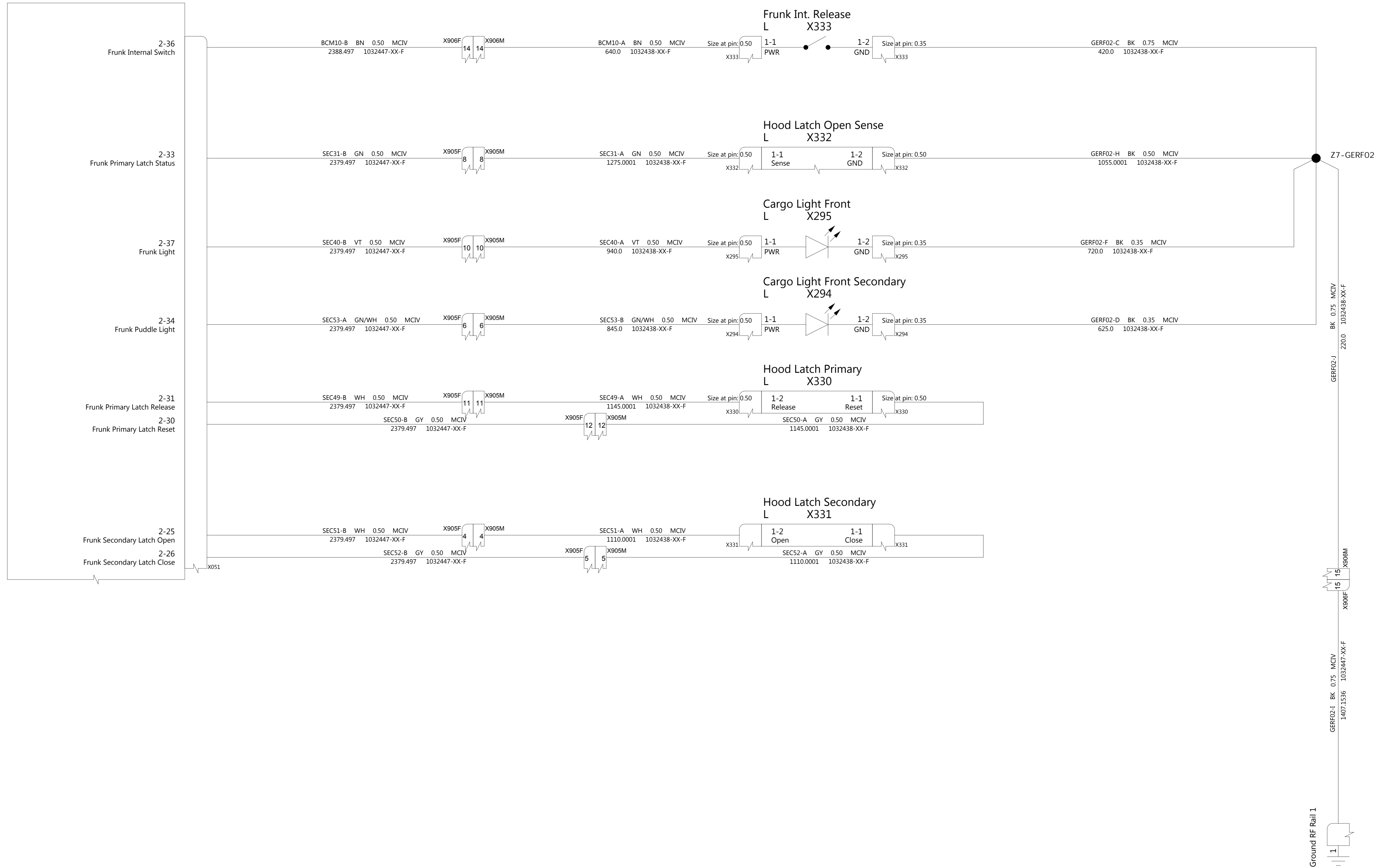
DRAWN	CHECKED	APPROVED
MATERIAL AS SPECIFIED	FINISHING AS SPECIFIED	SCALE NONE
PART NAME Grounding Schematic Rear Doors - Rev2 Up		
PART NUMBER	REV	SHEET
	1	1 OF 1
		SIZE A0



THE INFORMATION CONTAINED HEREIN IS DEEMED TO BE CONFIDENTIAL, PROPRIETARY, AND A TRADE SECRET OF TESLA MOTORS. THIS INFORMATION MAY NOT BE USED, REPRODUCED, OR DISCLOSED AS THE DIRECT OR INDIRECT BASIS FOR THE DEVELOPMENT, MANUFACTURE, OR SALE OF PROCESSES OR PRODUCTS WITHOUT THE EXPRESS WRITTEN CONSENT OF TESLA MOTORS.

DRAWN	CHECKED	APPROVED
MATERIAL AS SPECIFIED	FINISHING AS SPECIFIED	SCALE NONE
PART NAME Grounding Schematic Rear Corners and Lif		
PART NUMBER	REV 1	SHEET 1 OF 1
		SIZE A0

Front Body Control Module (DV3)
W X050 X051 X052



THE INFORMATION CONTAINED HEREIN IS DEEMED TO BE CONFIDENTIAL, PROPRIETARY, AND A TRADE SECRET OF TESLA MOTORS. THIS INFORMATION MAY NOT BE USED, REPRODUCED, OR DISCLOSED AS THE DIRECT OR INDIRECT BASIS FOR THE DEVELOPMENT, MANUFACTURE, OR SALE OF PROCESSES OR PRODUCTS WITHOUT THE EXPRESSED WRITTEN CONSENT OF TESLA MOTORS.

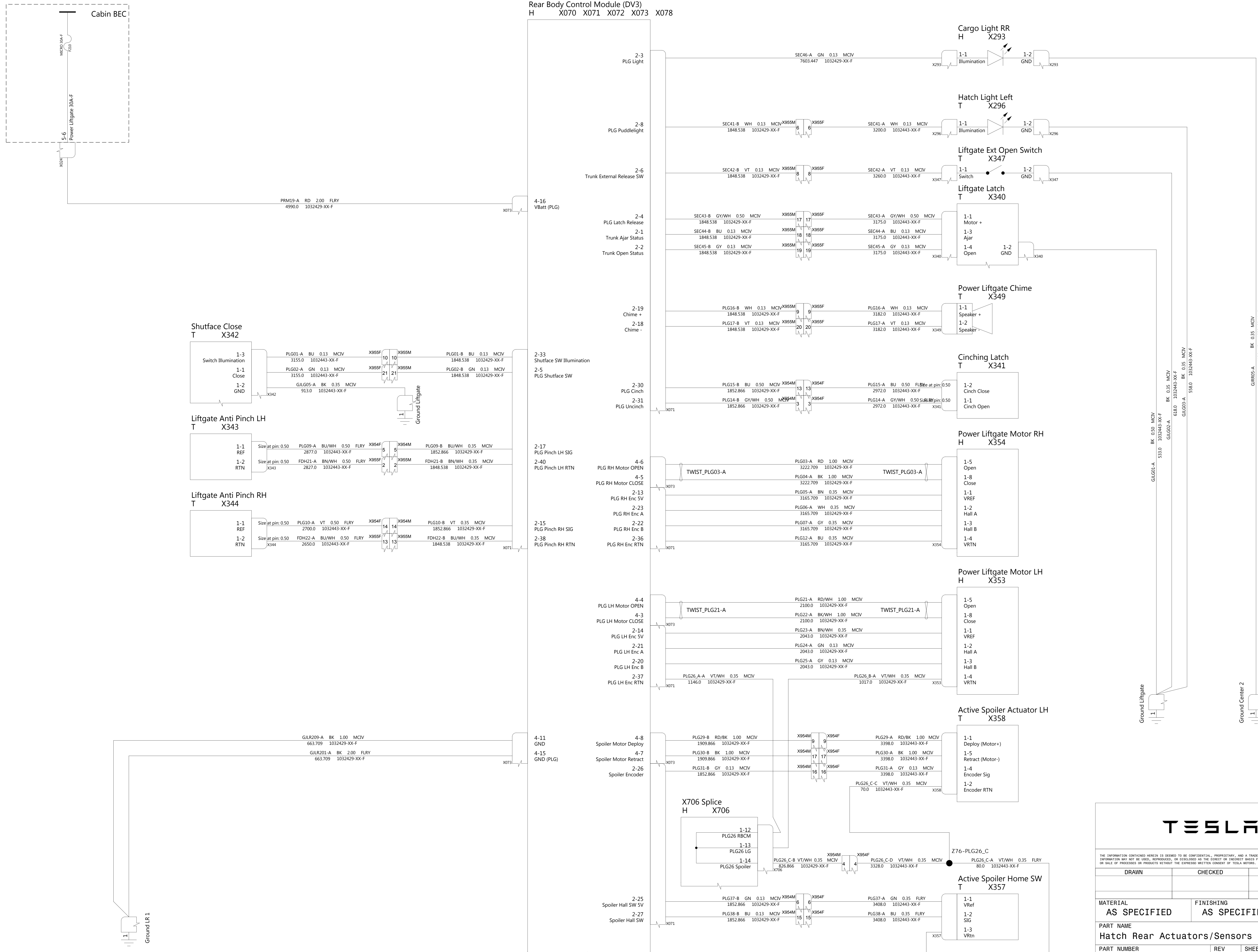
DRAWN	CHECKED	APPROVED
-------	---------	----------

MATERIAL AS SPECIFIED	FINISHING AS SPECIFIED	SCALE NONE
--------------------------	---------------------------	---------------

PART NAME
Hatch Front Actuators / Sensors (DV2)

PART NUMBER	REV	SHEET	SIZE
	1	1 OF 1	A0

Rear Body Control Module (DV3)
 H X070 X071 X072 X073 X078



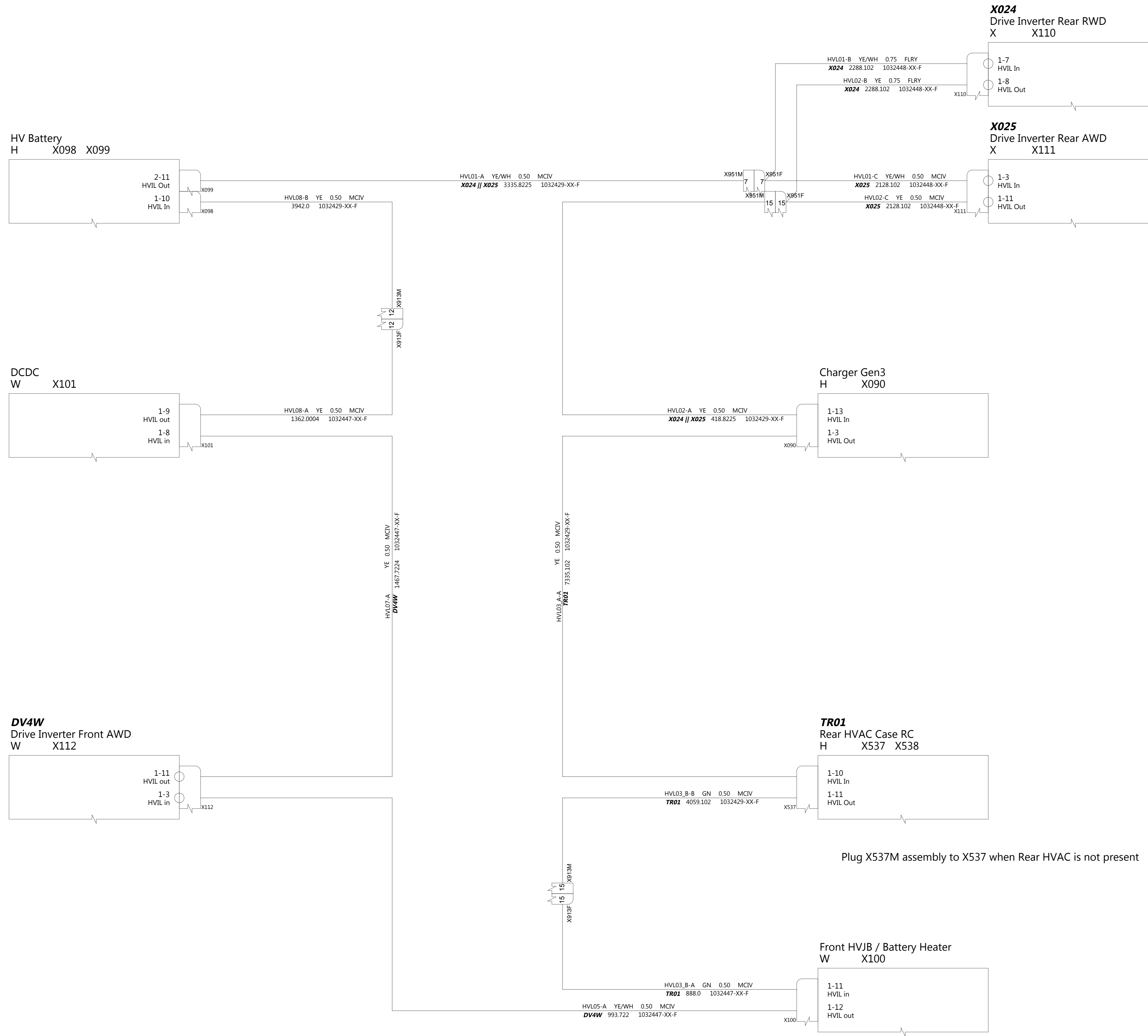
THE INFORMATION CONTAINED HEREIN IS DEEMED TO BE CONFIDENTIAL, PROPRIETARY, AND A TRADE SECRET OF TESLA MOTORS. THIS INFORMATION MAY NOT BE USED, REPRODUCED, OR DISCLOSED AS THE DIRECT OR INDIRECT BASIS FOR THE DEVELOPMENT, MANUFACTURE, OR SALE OF PROCESSES OR PRODUCTS WITHOUT THE EXPRESS WRITTEN CONSENT OF TESLA MOTORS.

DRAWN	CHECKED	APPROVED

MATERIAL AS SPECIFIED	FINISHING AS SPECIFIED	SCALE NONE

PART NAME
Hatch Rear Actuators/Sensors (DV2)

PART NUMBER	REV	SHEET	SIZE
	1	1 OF 1	A0

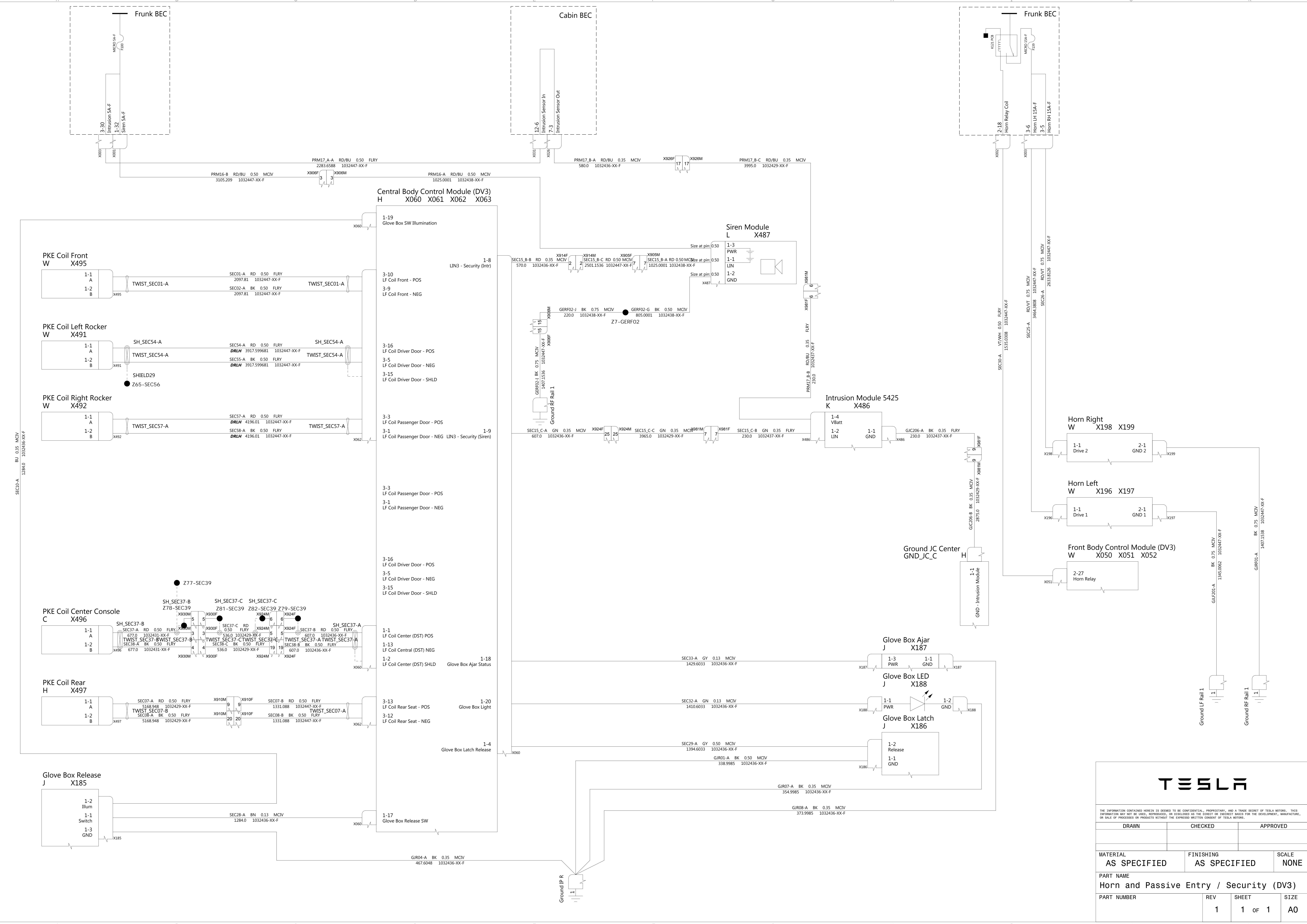


Plug X537M assembly to X537 when Rear HVAC is not present



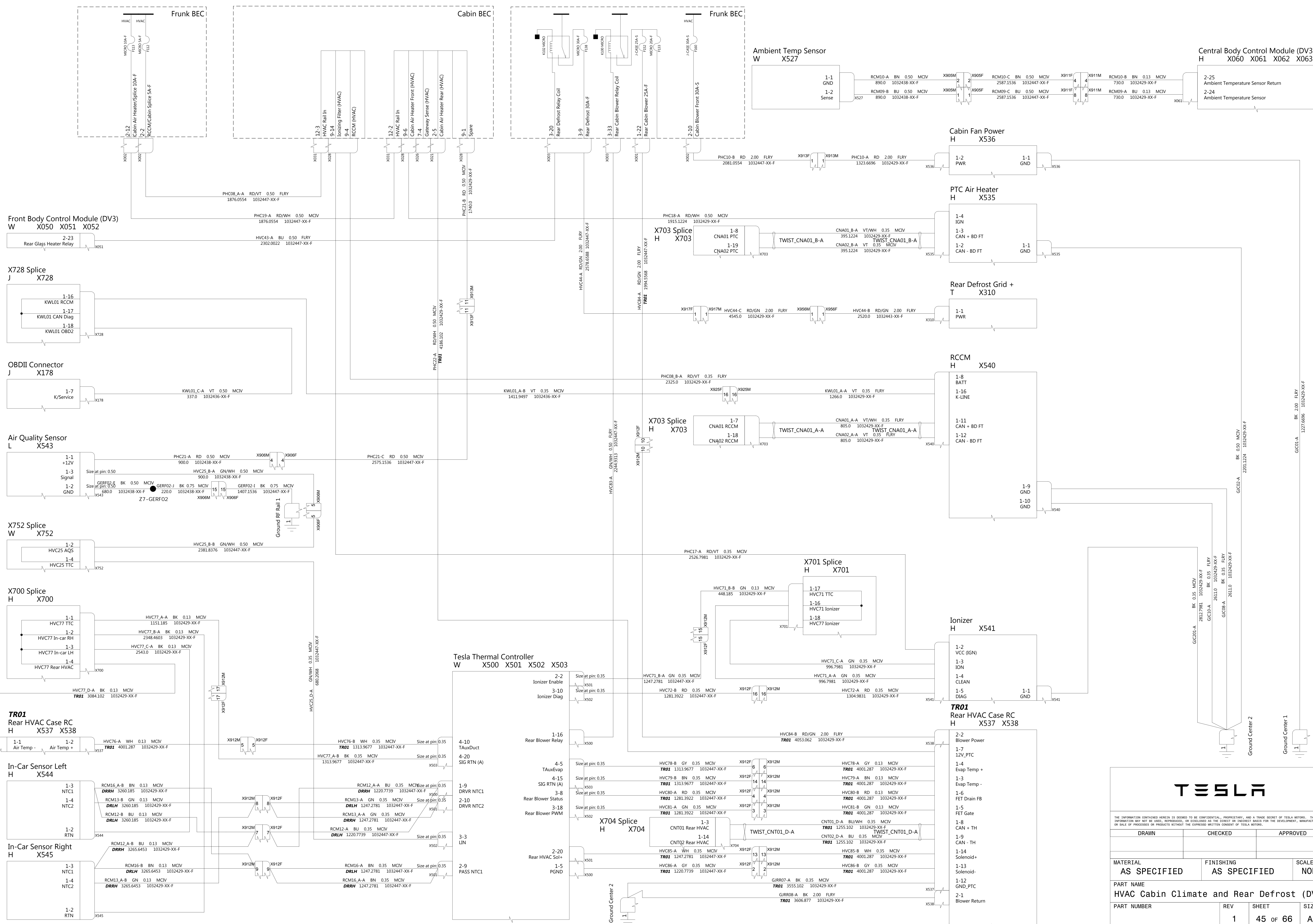
THE INFORMATION CONTAINED HEREIN IS DEEMED TO BE CONFIDENTIAL, PROPRIETARY, AND A TRADE SECRET OF TESLA MOTORS. THIS INFORMATION MAY NOT BE USED, REPRODUCED, OR DISCLOSED AS THE DIRECT OR INDIRECT BASIS FOR THE DEVELOPMENT, MANUFACTURE, OR SALE OF PROCESSES OR PRODUCTS WITHOUT THE EXPRESSED WRITTEN CONSENT OF TESLA MOTORS.

DRAWN		CHECKED	APPROVED
MATERIAL AS SPECIFIED		FINISHING AS SPECIFIED	SCALE NONE
PART NAME High Voltage Interlock (HVIL)			
PART NUMBER	REV	SHEET	SIZE
	1	1 OF 1	A0



THE INFORMATION CONTAINED HEREIN IS DEEMED TO BE CONFIDENTIAL, PROPRIETARY, AND A TRADE SECRET OF TESLA MOTORS. THIS INFORMATION MAY NOT BE USED, REPRODUCED, OR DISCLOSED AS THE DIRECT OR INDIRECT BASIS FOR THE DEVELOPMENT, MANUFACTURE, OR SALE OF PROCESSES OR PRODUCTS WITHOUT THE EXPRESSED WRITTEN CONSENT OF TESLA MOTORS.

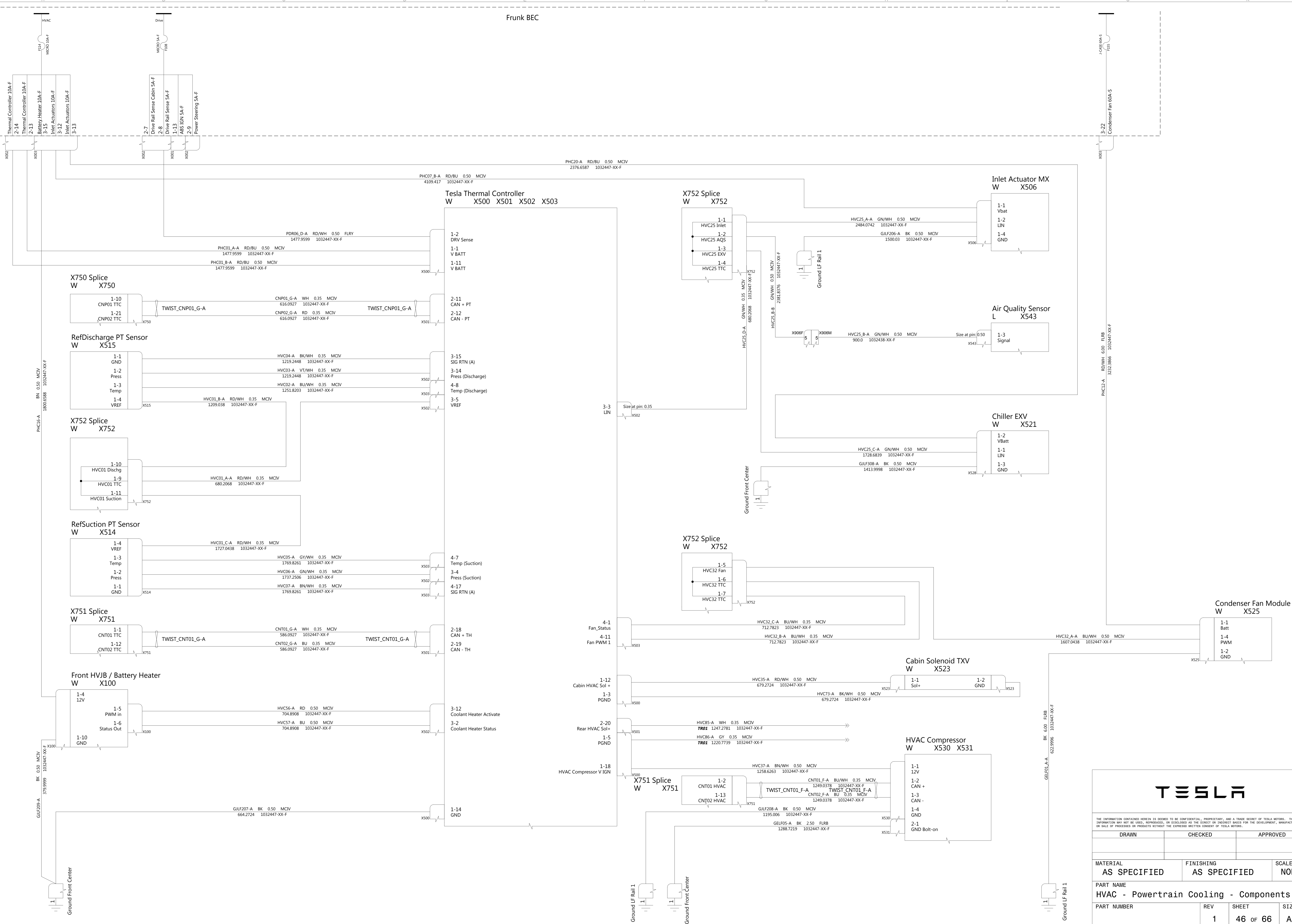
DRAWN	CHECKED	APPROVED
MATERIAL AS SPECIFIED	FINISHING AS SPECIFIED	SCALE NONE
PART NAME Horn and Passive Entry / Security (DV3)		
PART NUMBER	REV	SHEET
	1	1 OF 1
		SIZE A0



THE INFORMATION CONTAINED HEREIN IS DEEMED TO BE CONFIDENTIAL, PROPRIETARY, AND A TRADE SECRET OF TESLA MOTORS. THIS INFORMATION MAY NOT BE USED, REPRODUCED, OR DISCLOSED AS THE DIRECT OR INDIRECT BASIS FOR THE DEVELOPMENT, MANUFACTURE, OR SALE OF PROCESSES OR PRODUCTS WITHOUT THE EXPRESS WRITTEN CONSENT OF TESLA MOTORS.

DRAWN	CHECKED	APPROVED
MATERIAL AS SPECIFIED	FINISHING AS SPECIFIED	SCALE NONE
PART NAME HVAC Cabin Climate and Rear Defrost (DV2)		
PART NUMBER	REV	SHEET
	1	45 OF 66
		SIZE
		A0

Frunk BEC

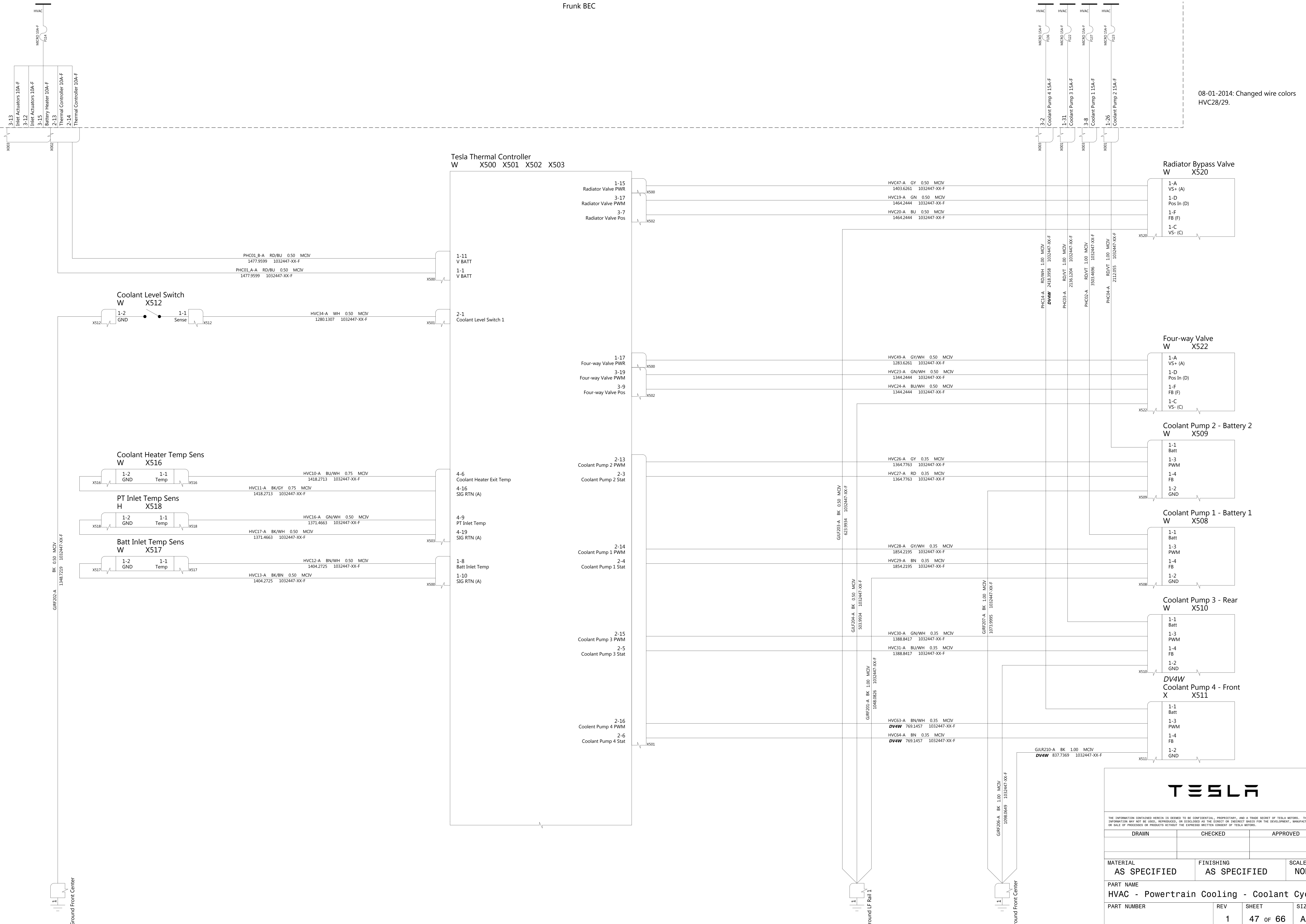


THE INFORMATION CONTAINED HEREIN IS DEEMED TO BE CONFIDENTIAL, PROPRIETARY, AND A TRADE SECRET OF TESLA MOTORS. THIS INFORMATION MAY NOT BE USED, REPRODUCED, OR DISCLOSED AS THE DIRECT OR INDIRECT BASIS FOR THE DEVELOPMENT, MANUFACTURE, OR SALE OF PROCESSES OR PRODUCTS WITHOUT THE EXPRESSED WRITTEN CONSENT OF TESLA MOTORS.

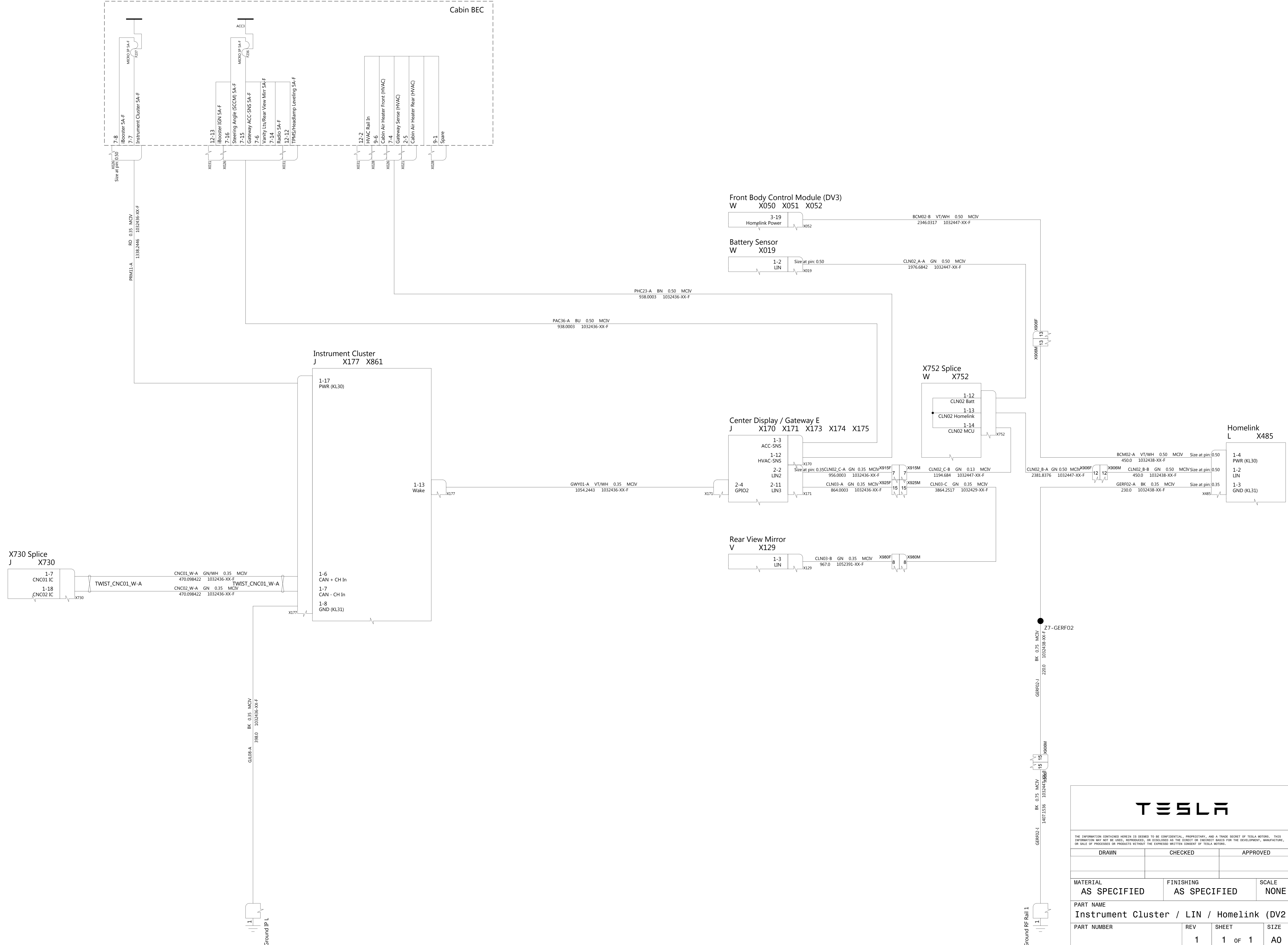
DRAWN	CHECKED	APPROVED
MATERIAL AS SPECIFIED	FINISHING AS SPECIFIED	SCALE NONE
PART NAME HVAC - Powertrain Cooling - Components		
PART NUMBER	REV	SHEET
	1	46 OF 66
		SIZE A0

Frunk BEC

08-01-2014: Changed wire colors HVC28/29.

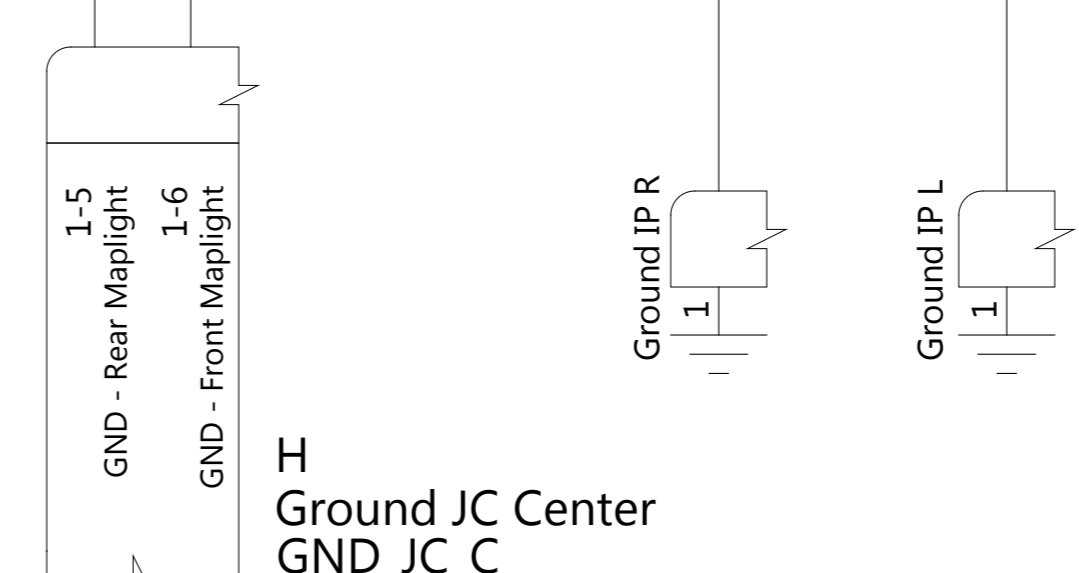
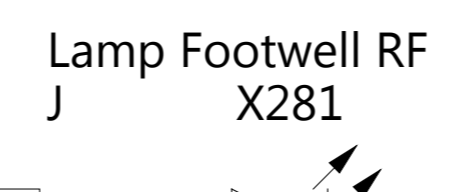
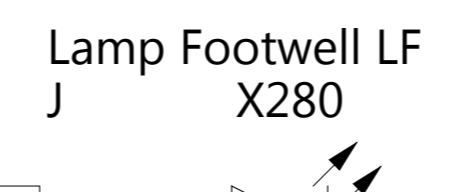
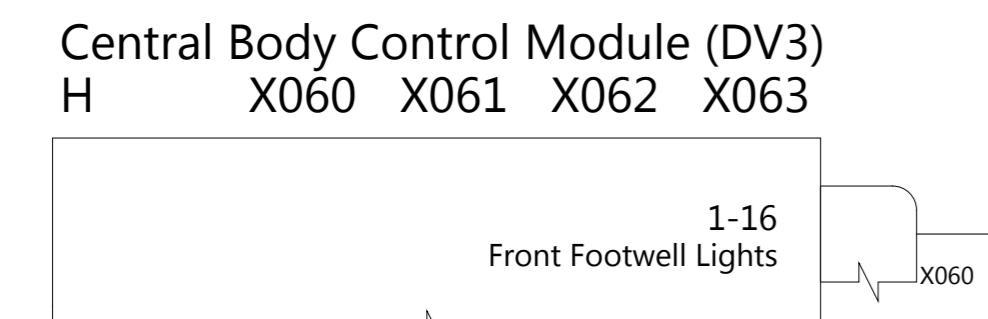
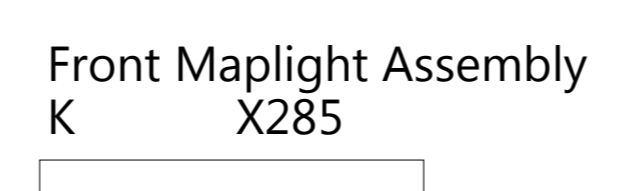
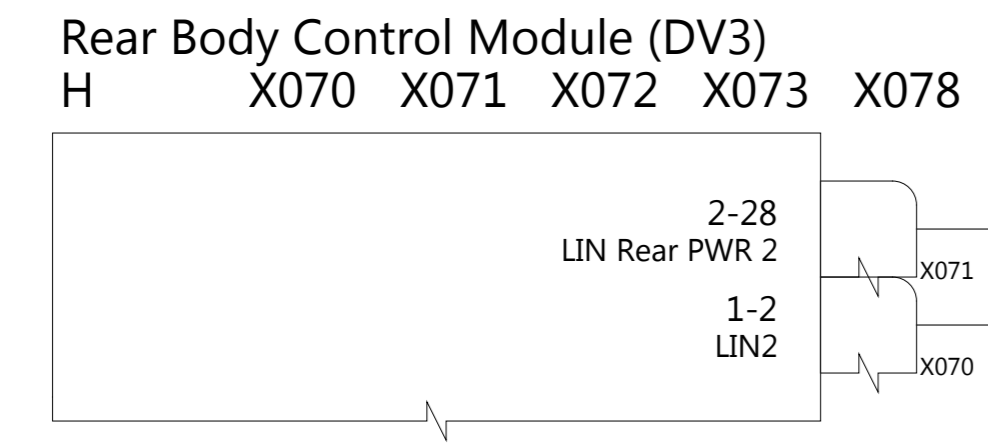
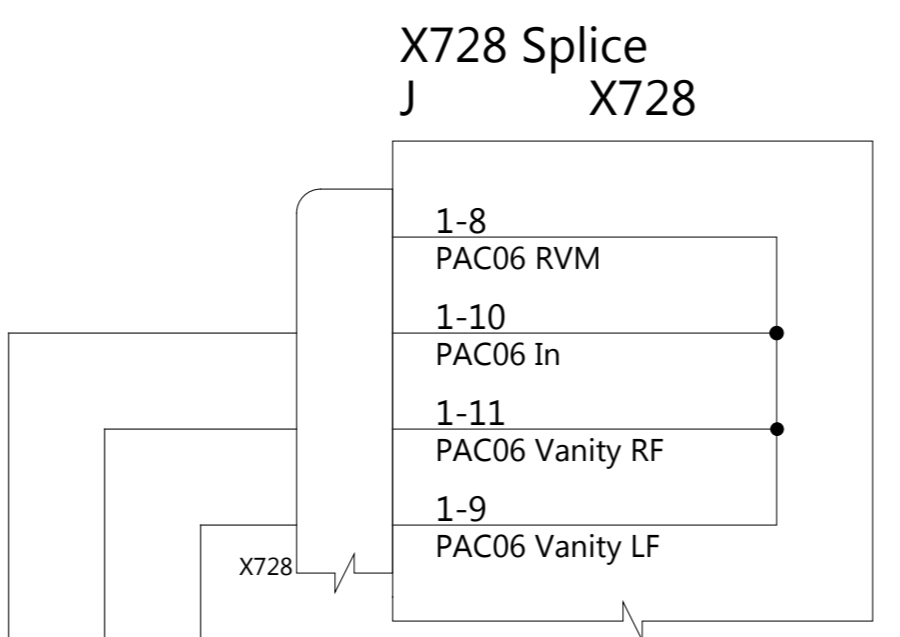
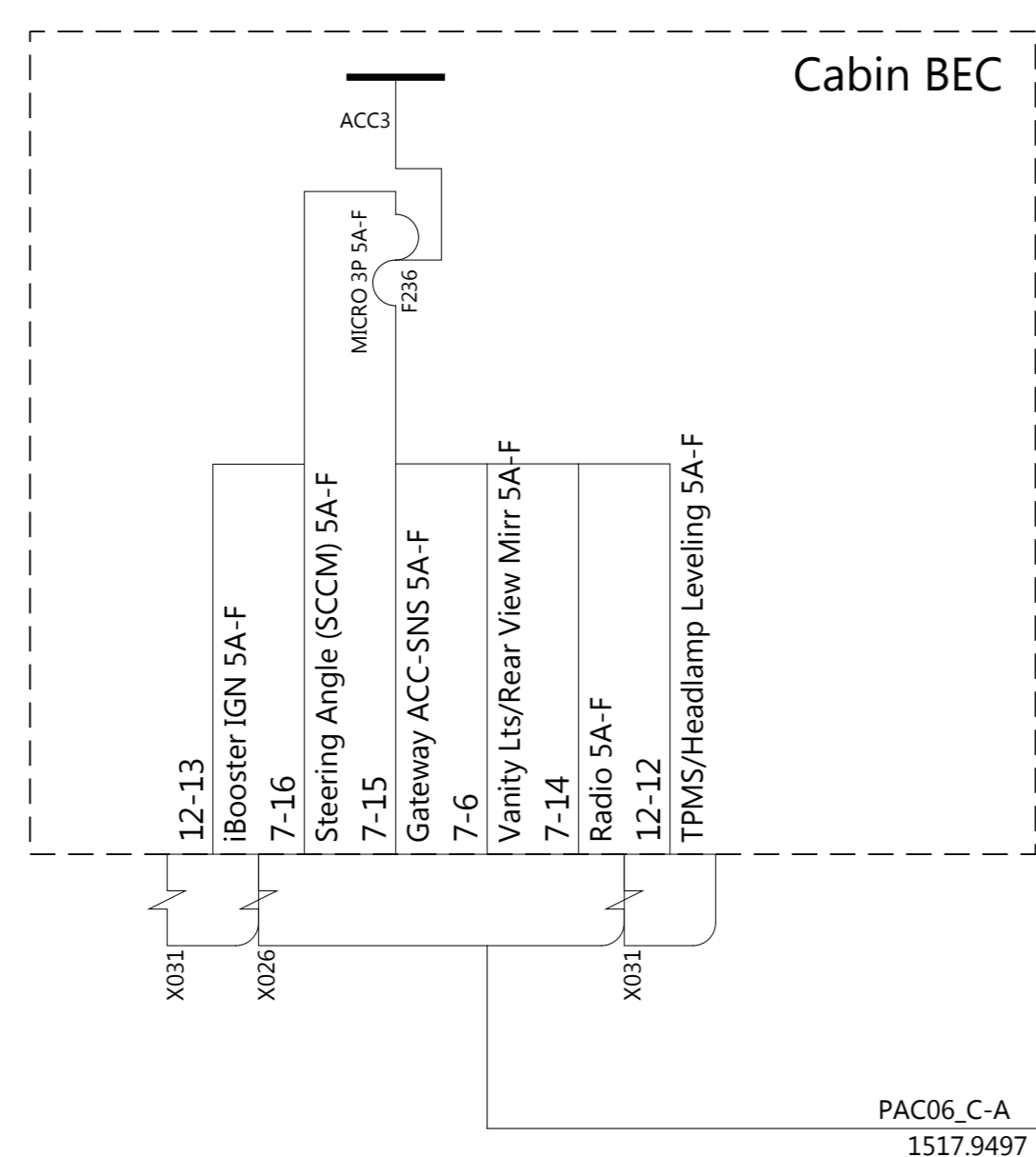


THE INFORMATION CONTAINED HEREIN IS DEEMED TO BE CONFIDENTIAL, PROPRIETARY, AND A TRADE SECRET OF TESLA MOTORS. THIS INFORMATION MAY NOT BE USED, REPRODUCED, OR DISCLOSED AS THE DIRECT OR INDIRECT BASIS FOR THE DEVELOPMENT, MANUFACTURE, OR SALE OF PROCESSES OR PRODUCTS WITHOUT THE EXPRESS WRITTEN CONSENT OF TESLA MOTORS.			
DRAWN	CHECKED	APPROVED	
MATERIAL AS SPECIFIED	FINISHING AS SPECIFIED	SCALE NONE	
PART NAME HVAC - Powertrain Cooling - Coolant Cyl			
PART NUMBER	REV	SHEET	SIZE
	1	47 OF 66	A0

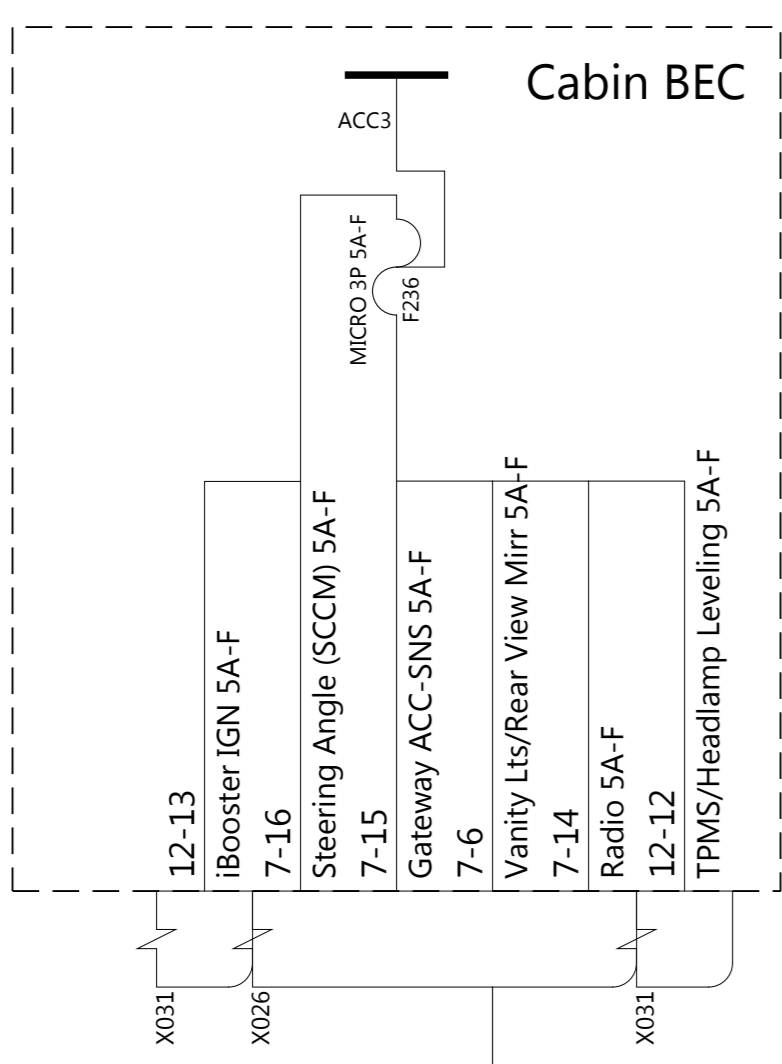


THE INFORMATION CONTAINED HEREIN IS DEEMED TO BE CONFIDENTIAL, PROPRIETARY, AND A TRADE SECRET OF TESLA MOTORS. THIS INFORMATION MAY NOT BE USED, REPRODUCED, OR DISCLOSED AS THE DIRECT OR INDIRECT BASIS FOR THE DEVELOPMENT, MANUFACTURE, OR SALE OF PROCESSES OR PRODUCTS WITHOUT THE EXPRESSED WRITTEN CONSENT OF TESLA MOTORS.

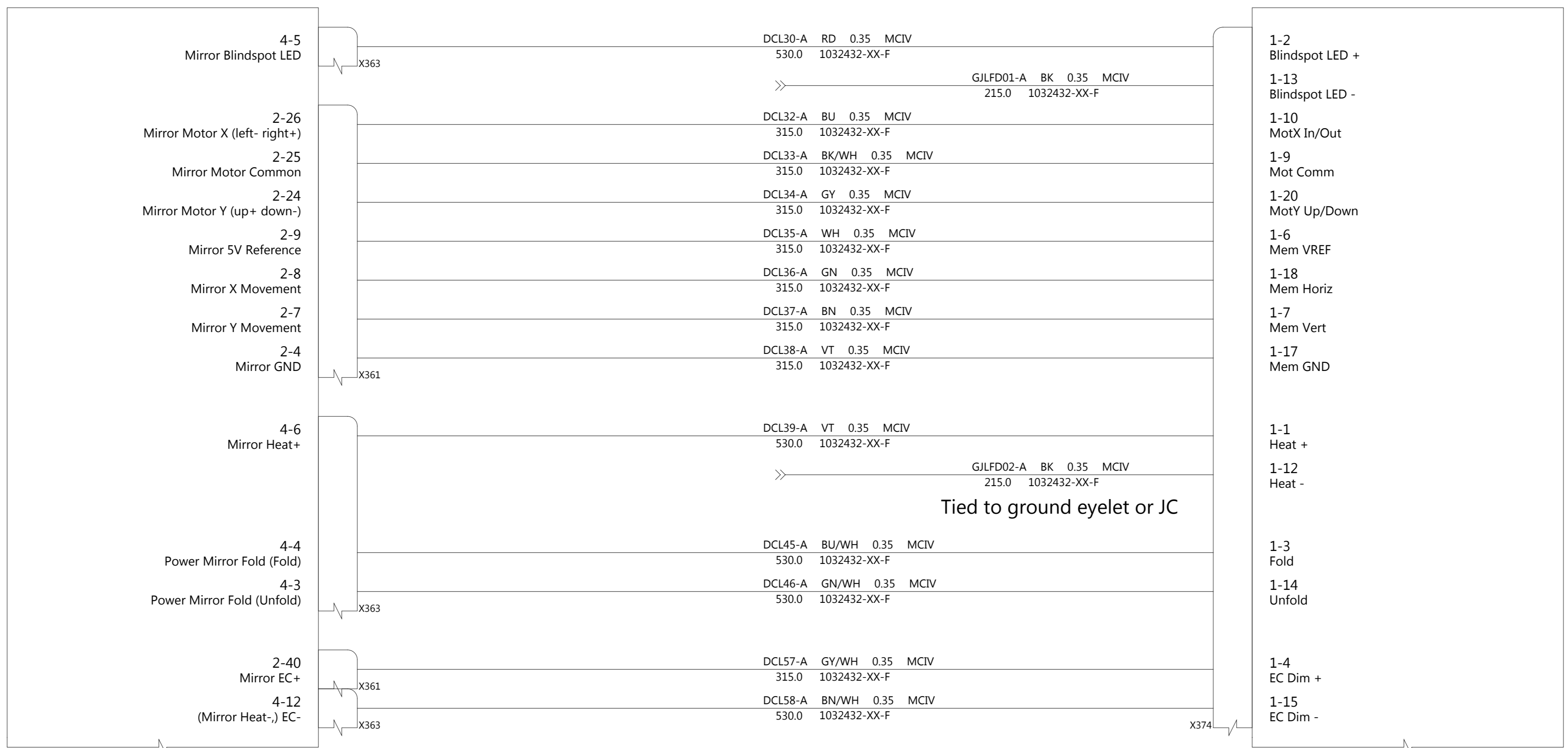
DRAWN	CHECKED	APPROVED
MATERIAL AS SPECIFIED	FINISHING AS SPECIFIED	SCALE NONE
PART NAME Instrument Cluster / LIN / Homelink (DV2)		
PART NUMBER	REV	SHEET
	1	1 OF 1
		SIZE A0



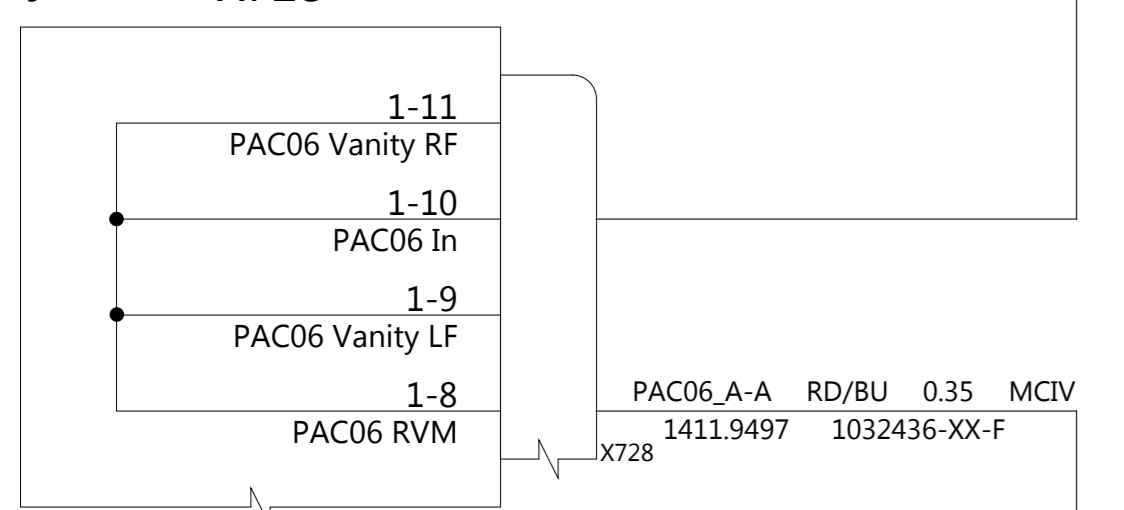
TESLA			
THE INFORMATION CONTAINED HEREIN IS DEEMED TO BE CONFIDENTIAL, PROPRIETARY, AND A TRADE SECRET OF TESLA MOTORS. THIS INFORMATION MAY NOT BE USED, REPRODUCED, OR DISCLOSED AS THE DIRECT OR INDIRECT BASIS FOR THE DEVELOPMENT, MANUFACTURE, OR SALE OF PRODUCTS OR SERVICES WITHOUT THE EXPRESSED WRITTEN CONSENT OF TESLA MOTORS.			
DRAWN	CHECKED	APPROVED	
MATERIAL AS SPECIFIED		FINISHING AS SPECIFIED	SCALE NONE
PART NAME Interior Illumination Maplights (DV2)			
PART NUMBER	REV	SHEET	SIZE
	1	1 OF 1	A0



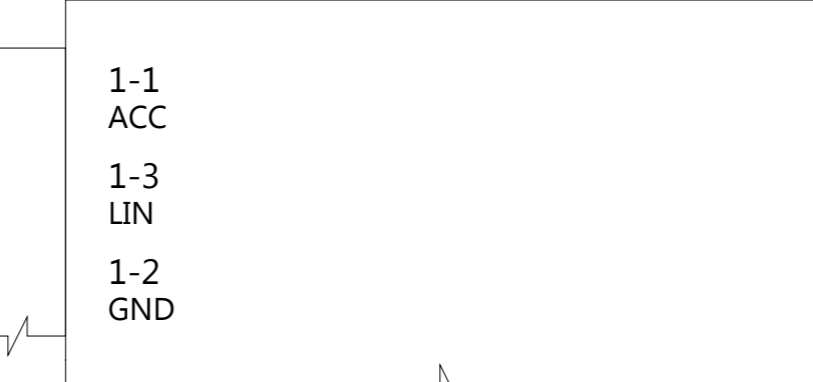
Door Control Module LF (DV3)
D X360 X361 X362 X363



X728 Splice
J X728

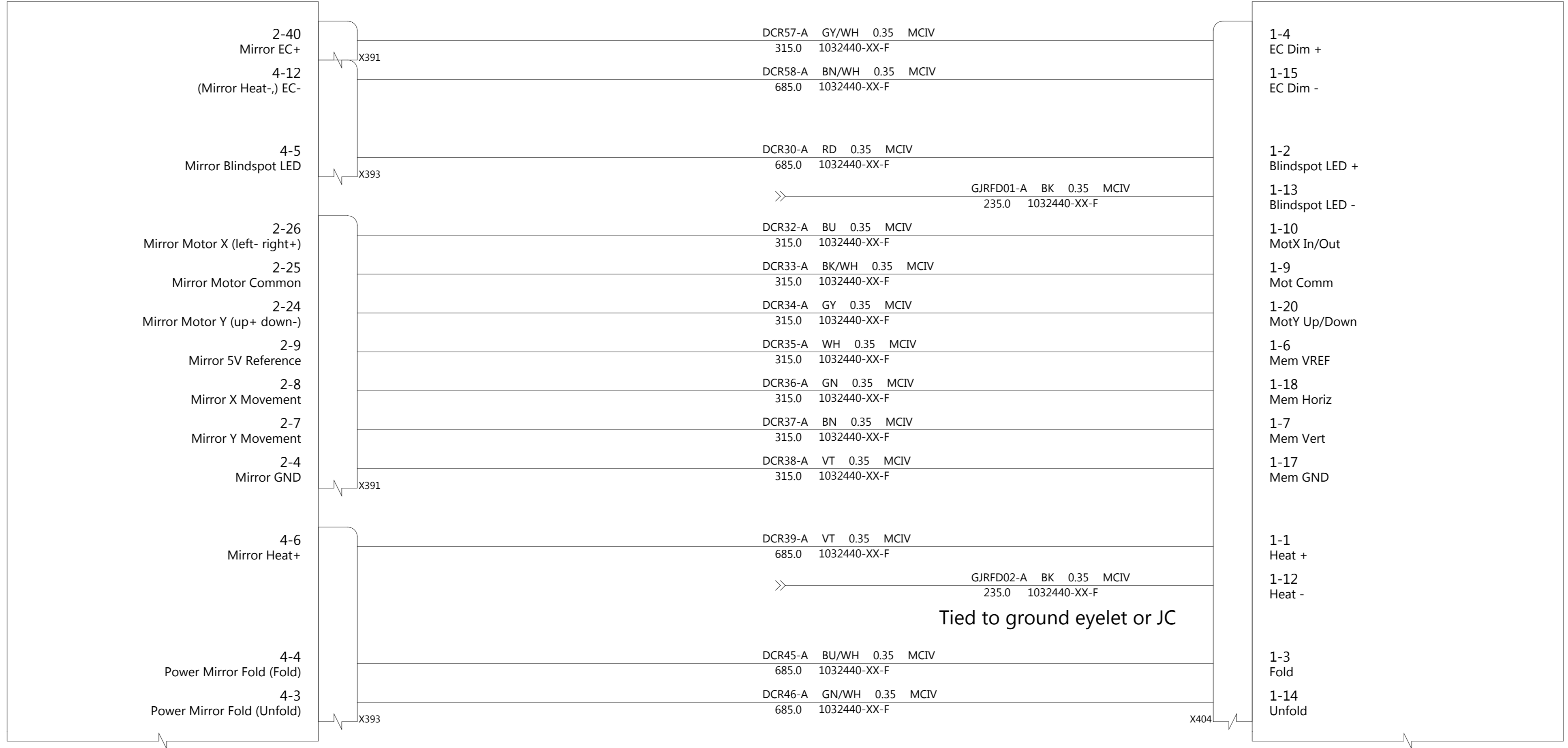


Rear View Mirror
V X129

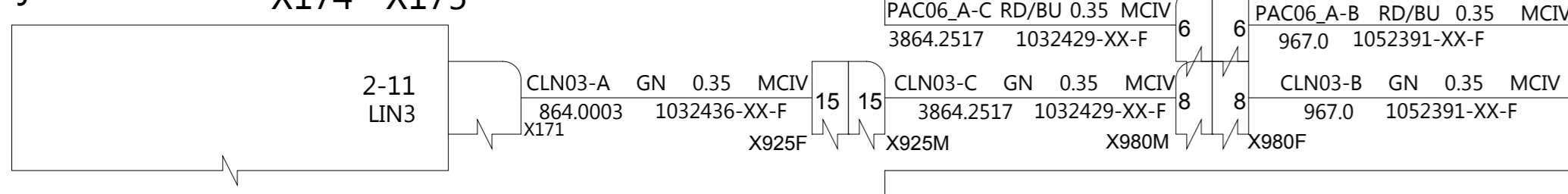


EC dimming command via LIN from RVM to Gateway.
Then over Body CAN to Door Control Modules

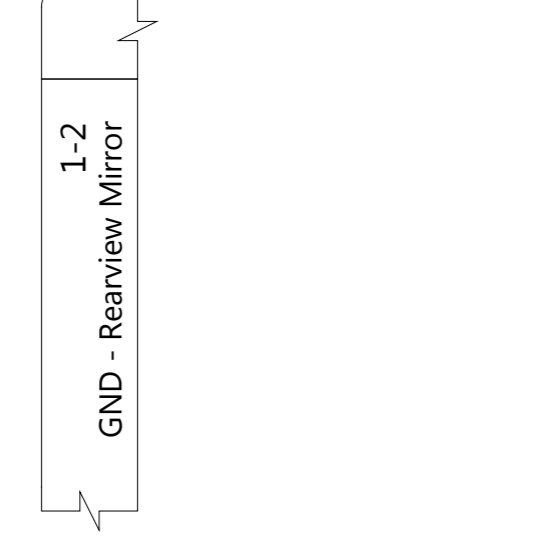
Door Control Module RF (DV3)
P X390 X391 X392 X393



Center Display / Gateway E
J X170 X171 X173 X174 X175

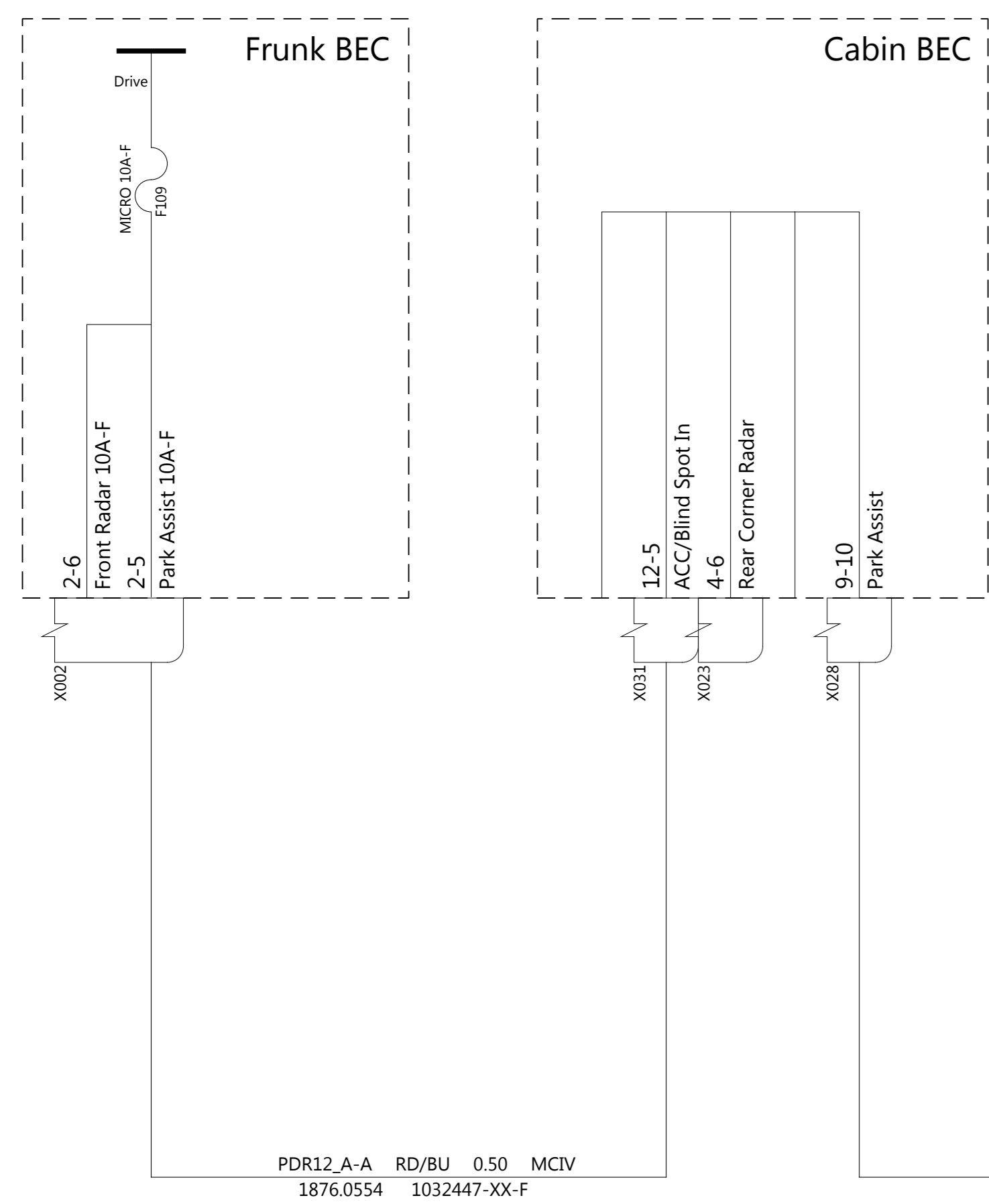


Ground JC Center
GND_JC_C

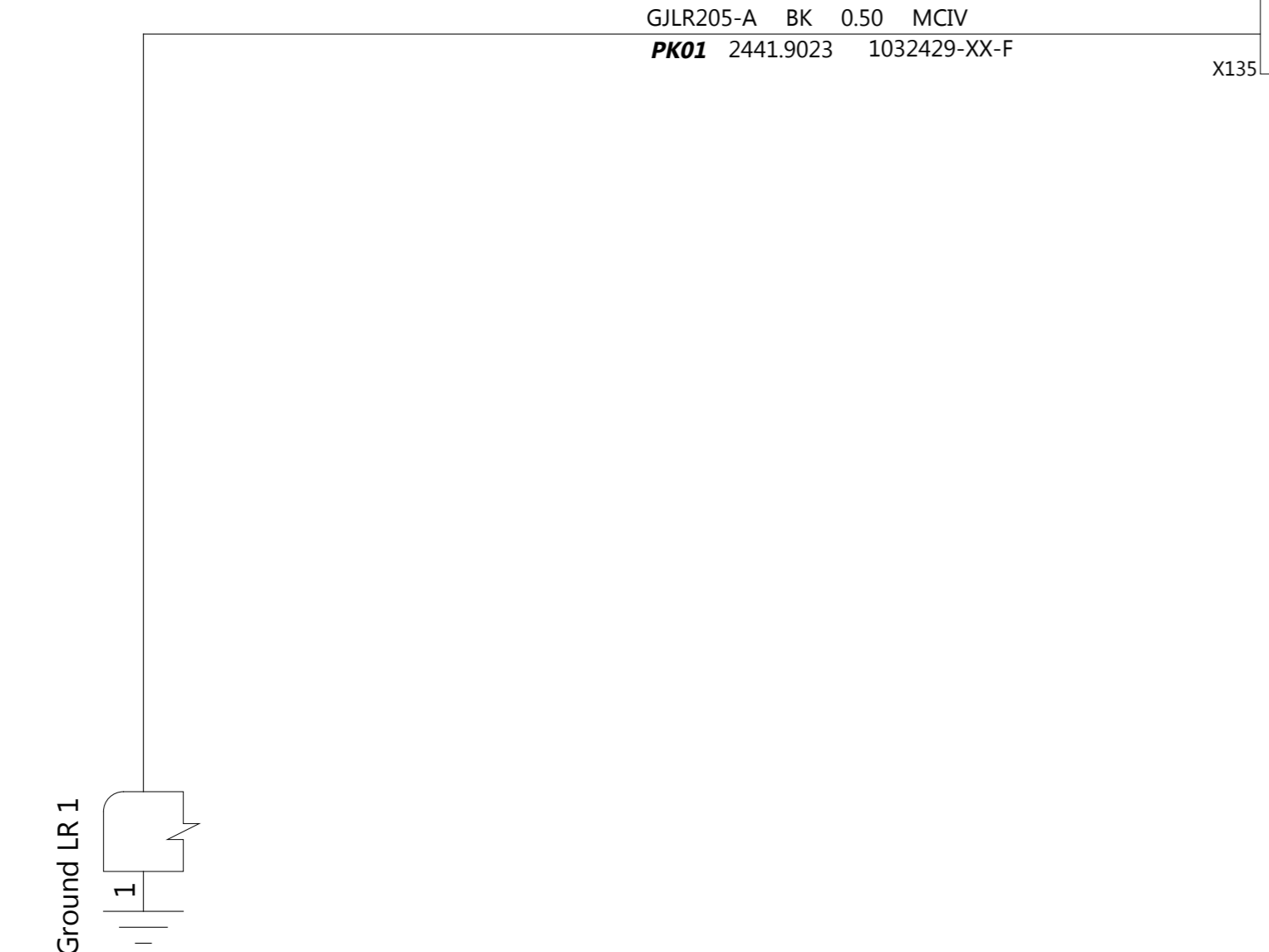
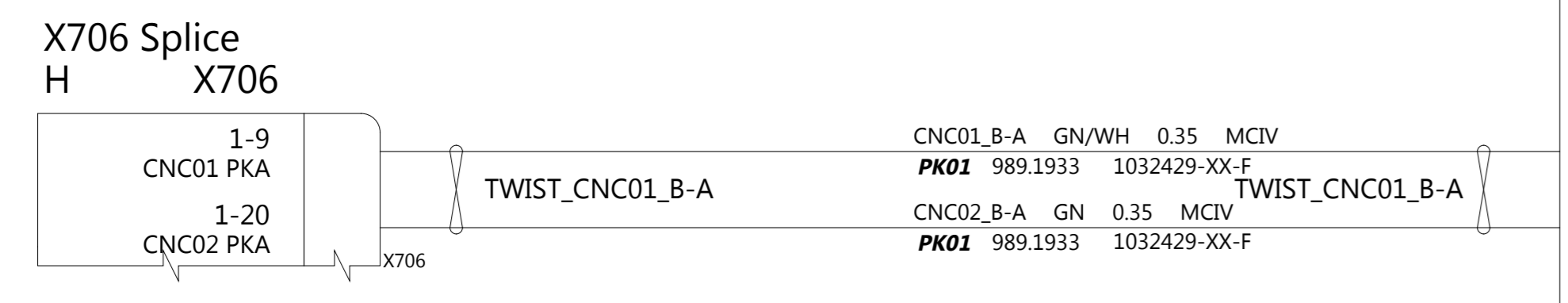
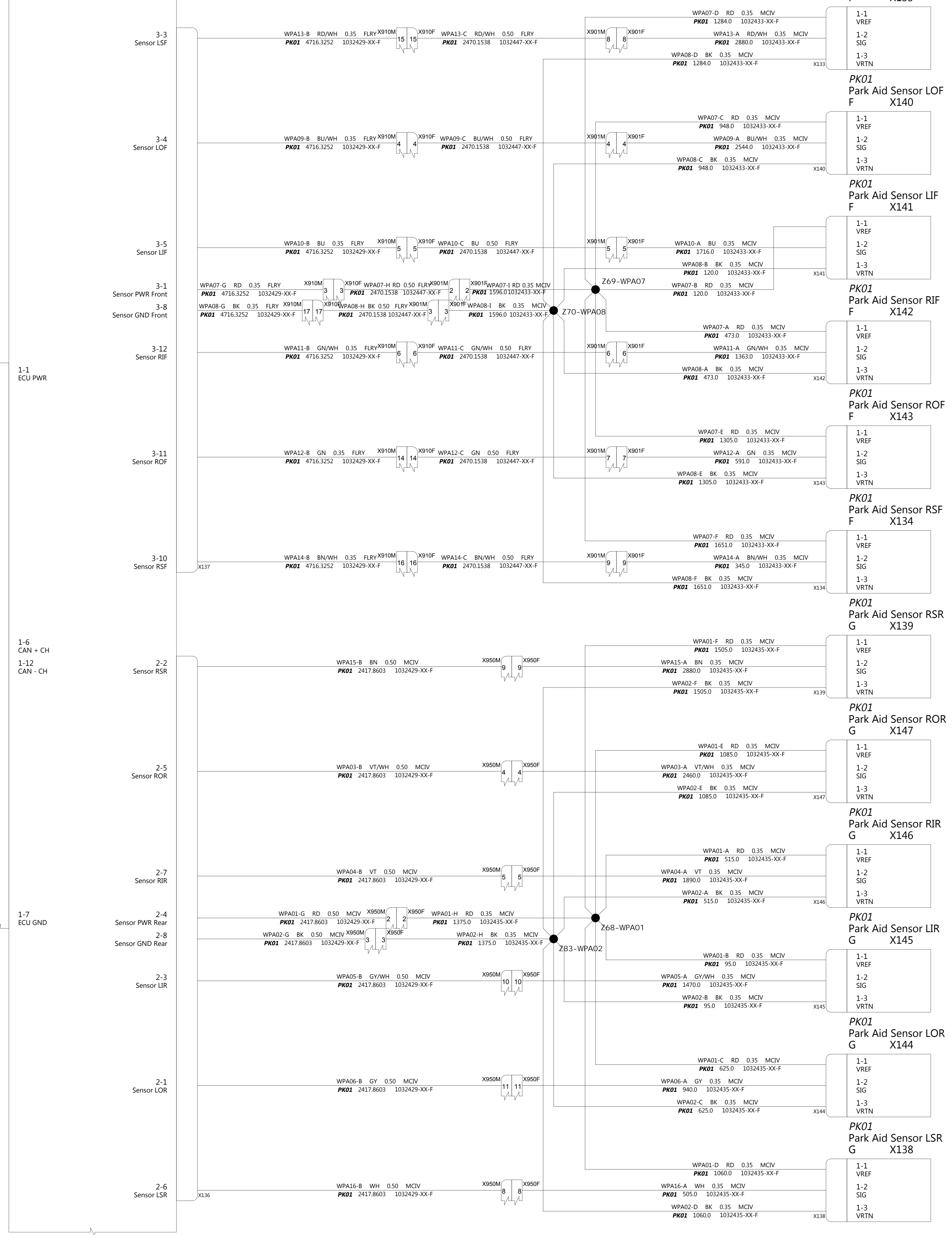


THE INFORMATION CONTAINED HEREIN IS DEEMED TO BE CONFIDENTIAL, PROPRIETARY, AND A TRADE SECRET OF TESLA MOTORS. THIS INFORMATION MAY NOT BE USED, REPRODUCED, OR DISCLOSED AS THE DIRECT OR INDIRECT BASIS FOR THE DEVELOPMENT, MANUFACTURE, OR SALE OF PROCESSES OR PRODUCTS WITHOUT THE EXPRESSED WRITTEN CONSENT OF TESLA MOTORS.

DRAWN	CHECKED	APPROVED
MATERIAL AS SPECIFIED	FINISHING AS SPECIFIED	SCALE NONE
PART NAME Mirrors - Center and Side (DV2 MCU1.5)		
PART NUMBER	REV	SHEET
	1	1 OF 1
		SIZE A0



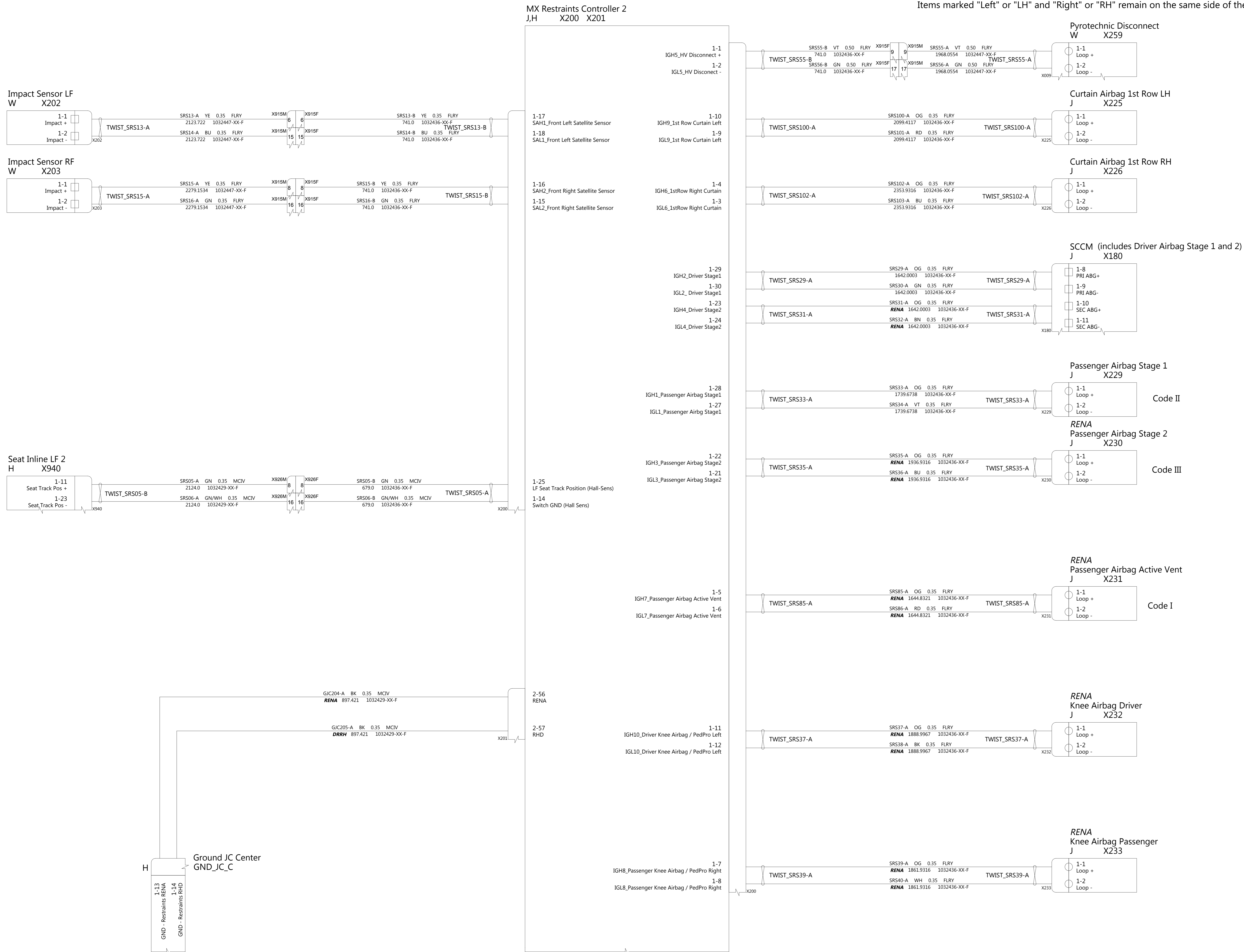
PK01
Park Aid B5.1
H X135 X136 X137



THE INFORMATION CONTAINED HEREIN IS DEEMED TO BE CONFIDENTIAL, PROPRIETARY, AND A TRADE SECRET OF TESLA MOTORS. THIS INFORMATION MAY NOT BE USED, REPRODUCED, OR DISCLOSED AS THE DIRECT OR INDIRECT BASIS FOR THE DEVELOPMENT, MANUFACTURE, OR SALE OF PROCESSES OR PRODUCTS WITHOUT THE EXPRESSED WRITTEN CONSENT OF TESLA MOTORS.

DRAWN	CHECKED	APPROVED
MATERIAL AS SPECIFIED	FINISHING AS SPECIFIED	SCALE NONE
PART NAME Parking Aids		
PART NUMBER	REV 1	SHEET 51 OF 66
		SIZE A0

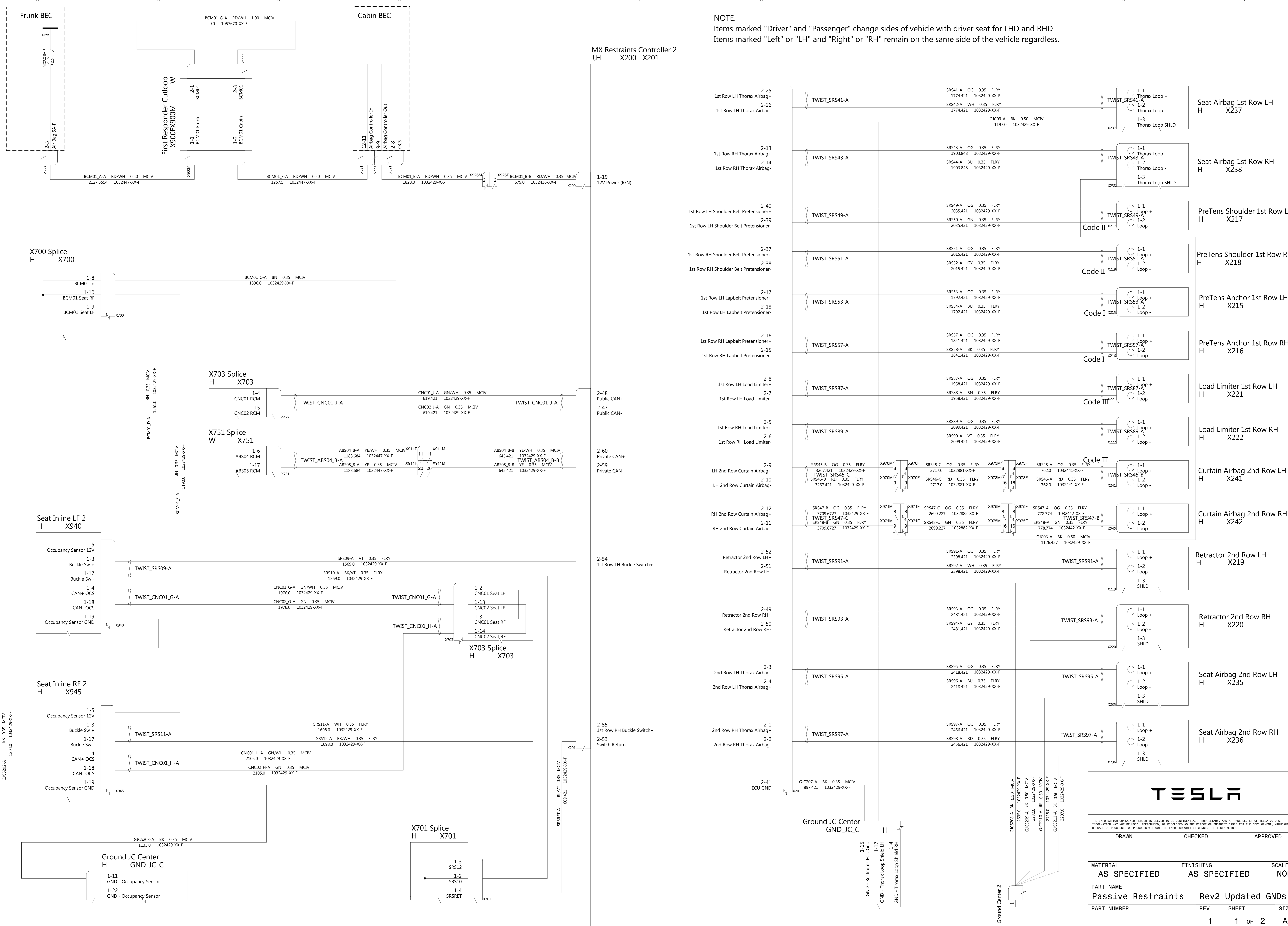
NOTE:
 Items marked "Driver" and "Passenger" change sides of vehicle with driver seat for LHD and RHD
 Items marked "Left" or "LH" and "Right" or "RH" remain on the same side of the vehicle regardless.



TESLA

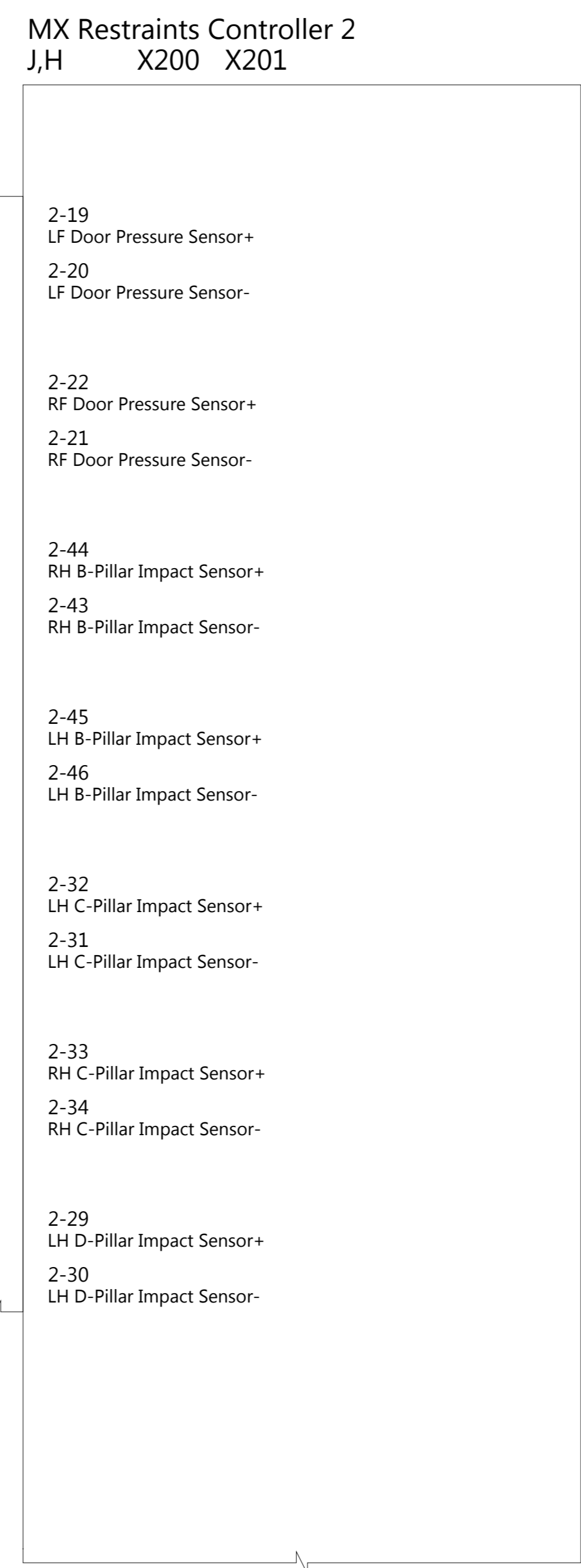
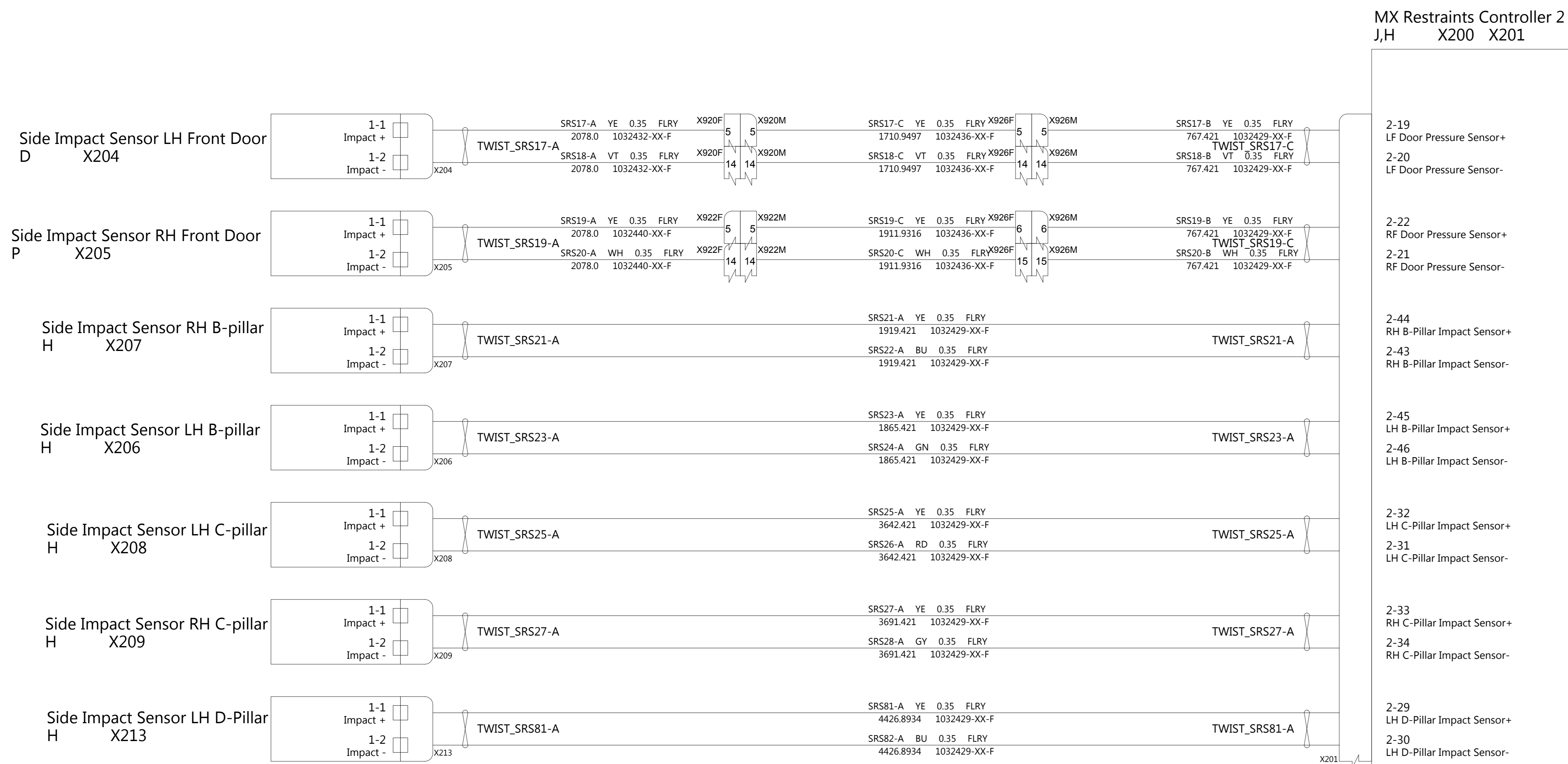
THE INFORMATION CONTAINED HEREIN IS DEEMED TO BE CONFIDENTIAL, PROPRIETARY, AND A TRADE SECRET OF TESLA MOTORS. THIS INFORMATION MAY NOT BE USED, REPRODUCED, OR DISCLOSED AS THE DIRECT OR INDIRECT BASIS FOR THE DEVELOPMENT, MANUFACTURE, OR SALE OF PROCESSES OR PRODUCTS WITHOUT THE EXPRESSED WRITTEN CONSENT OF TESLA MOTORS.

DRAWN	CHECKED	APPROVED
MATERIAL AS SPECIFIED	FINISHING AS SPECIFIED	SCALE NONE
PART NAME Passive Restraints - IP and Front		
PART NUMBER	REV	SHEET
	1	1 OF 1
		SIZE A0



NOTE:
 Items marked "Driver" and "Passenger" change sides of vehicle with driver seat for LHD and RHD
 Items marked "Left" or "LH" and "Right" or "RH" remain on the same side of the vehicle regardless.

TESLA			
THE INFORMATION CONTAINED HEREIN IS DEEMED TO BE CONFIDENTIAL, PROPRIETARY, AND A TRADE SECRET OF TESLA MOTORS. THIS INFORMATION MAY NOT BE USED, REPRODUCED, OR DISCLOSED AS THE DIRECT OR INDIRECT BASIS FOR THE DEVELOPMENT, MANUFACTURE, OR SALE OF PROCESSES OR PRODUCTS WITHOUT THE EXPRESS WRITTEN CONSENT OF TESLA MOTORS.			
DRAWN	CHECKED	APPROVED	
MATERIAL AS SPECIFIED	FINISHING AS SPECIFIED	SCALE NONE	
PART NAME Passive Restraints - Rev2 Updated GNDs			
PART NUMBER	REV	SHEET	SIZE
	1	1 OF 2	A0



TESLA

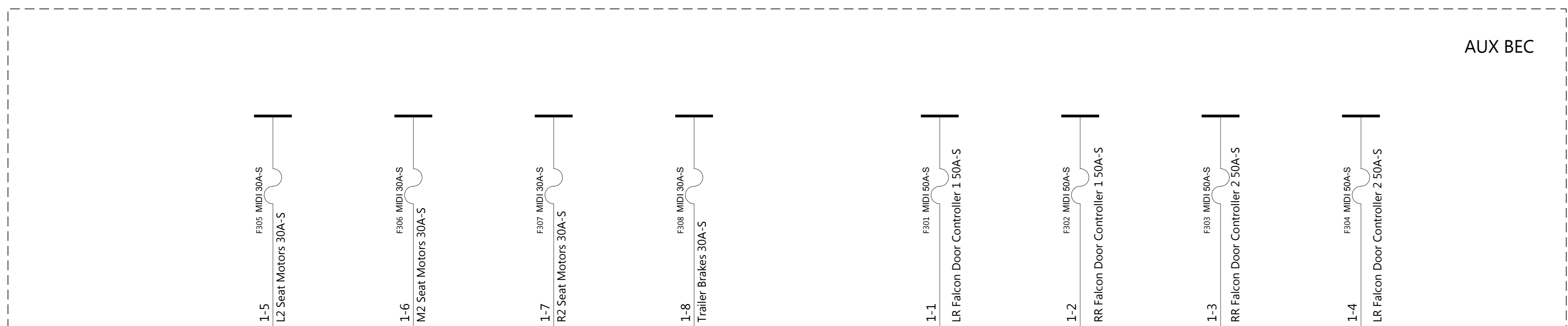
THE INFORMATION CONTAINED HEREIN IS DEEMED TO BE CONFIDENTIAL, PROPRIETARY, AND A TRADE SECRET OF TESLA MOTORS. THIS INFORMATION MAY NOT BE USED, REPRODUCED, OR DISCLOSED AS THE OBJECT OR INDIRECT BASIS FOR THE DEVELOPMENT, MANUFACTURE, OR SALE OF PROCESSES OR PRODUCTS WITHOUT THE EXPRESSED WRITTEN CONSENT OF TESLA MOTORS.

DRAWN	CHECKED	APPROVED

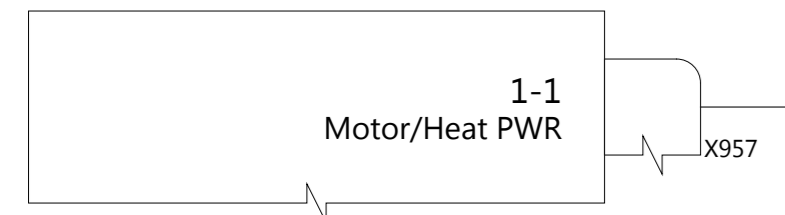
MATERIAL AS SPECIFIED	FINISHING AS SPECIFIED	SCALE NONE
--------------------------	---------------------------	---------------

PART NAME
Passive Restraints - Rev2 Updated GNDs

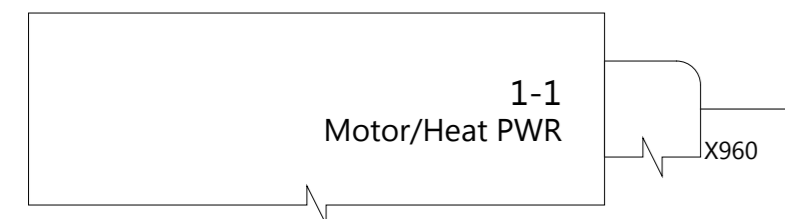
PART NUMBER	REV	SHEET	SIZE
	1	2 OF 2	A0



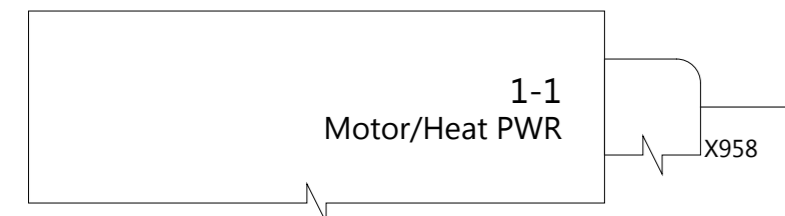
Seat 2nd Row LH
H
X957



Seat 2nd Row CEN
H
X960



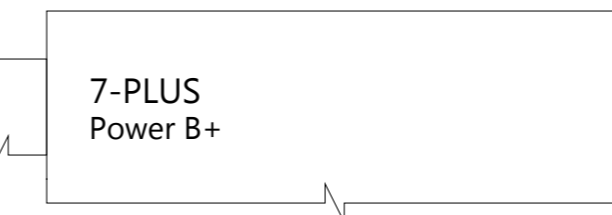
Seat 2nd Row RH
H
X958



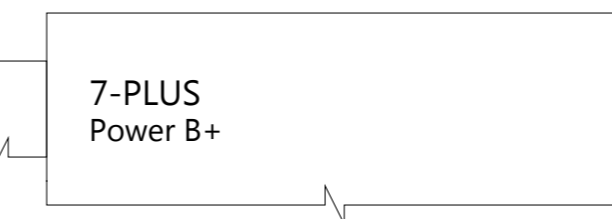
Trailer Lights Pigtail
H
X275



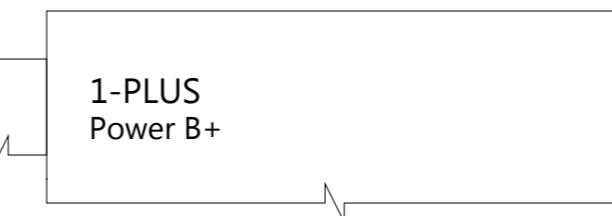
Falcon Controller Front
H
X680 X684 X670 X671 X672 X673 X681



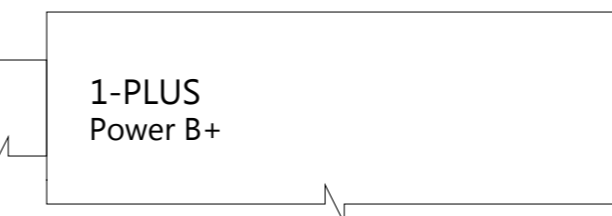
Falcon Controller Rear
H
X682 X685 X674 X675 X676 X677 X683



Falcon Controller Rear
H
X682 X685 X674 X675 X676 X677 X683

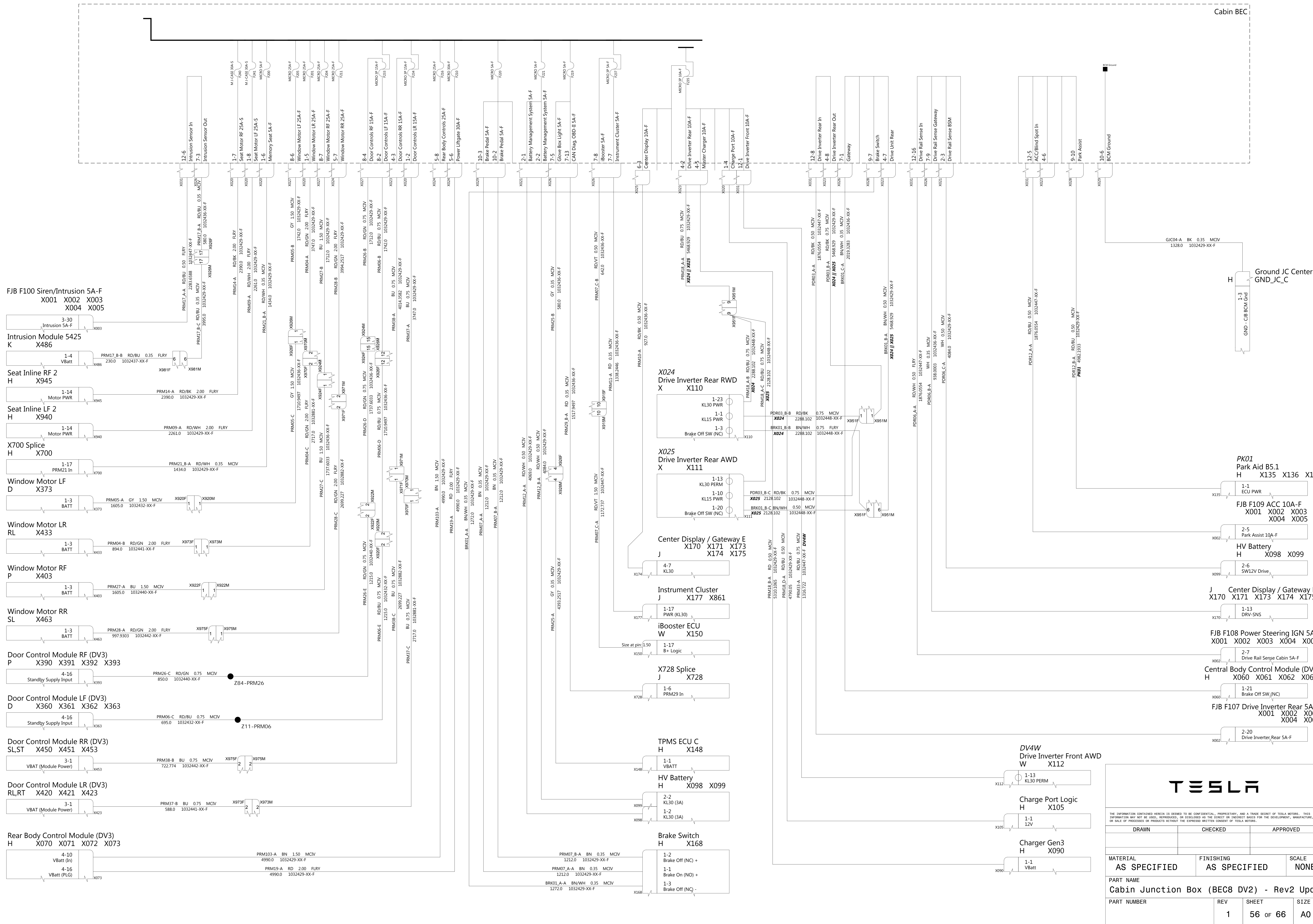


Falcon Controller Front
H
X680 X684 X670 X671 X672 X673 X681



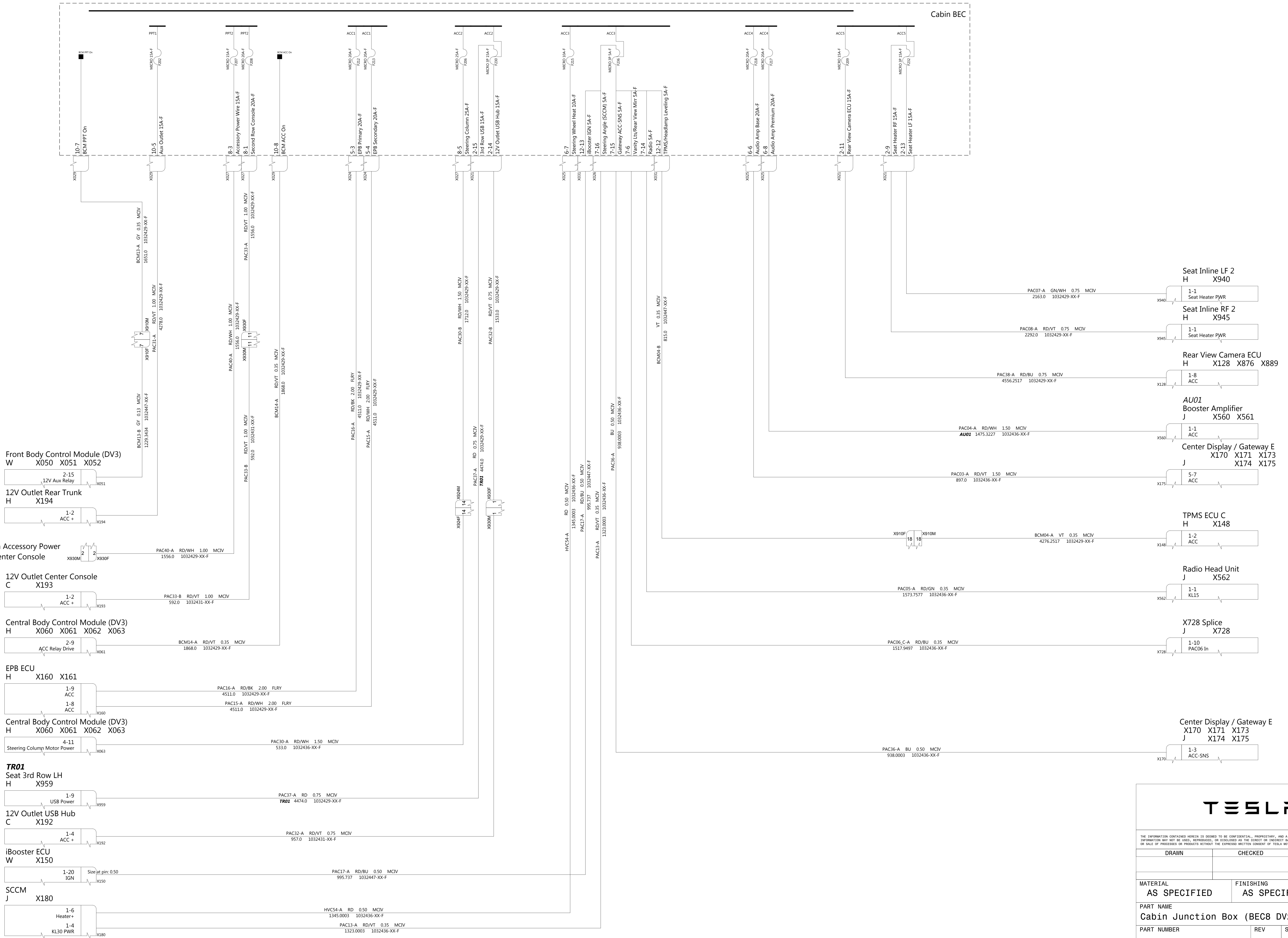
THE INFORMATION CONTAINED HEREIN IS DEEMED TO BE CONFIDENTIAL, PROPRIETARY, AND A TRADE SECRET OF TESLA MOTORS. THIS INFORMATION MAY NOT BE USED, REPRODUCED, OR DISCLOSED AS THE DIRECT OR INDIRECT BASIS FOR THE DEVELOPMENT, MANUFACTURE, OR SALE OF PROCESSES OR PRODUCTS WITHOUT THE EXPRESSED WRITTEN CONSENT OF TESLA MOTORS.

DRAWN	CHECKED	APPROVED
MATERIAL AS SPECIFIED	FINISHING AS SPECIFIED	SCALE NONE
PART NAME Rear Fuse Box		
PART NUMBER	REV	SHEET
	1	1 OF 1
		SIZE A0



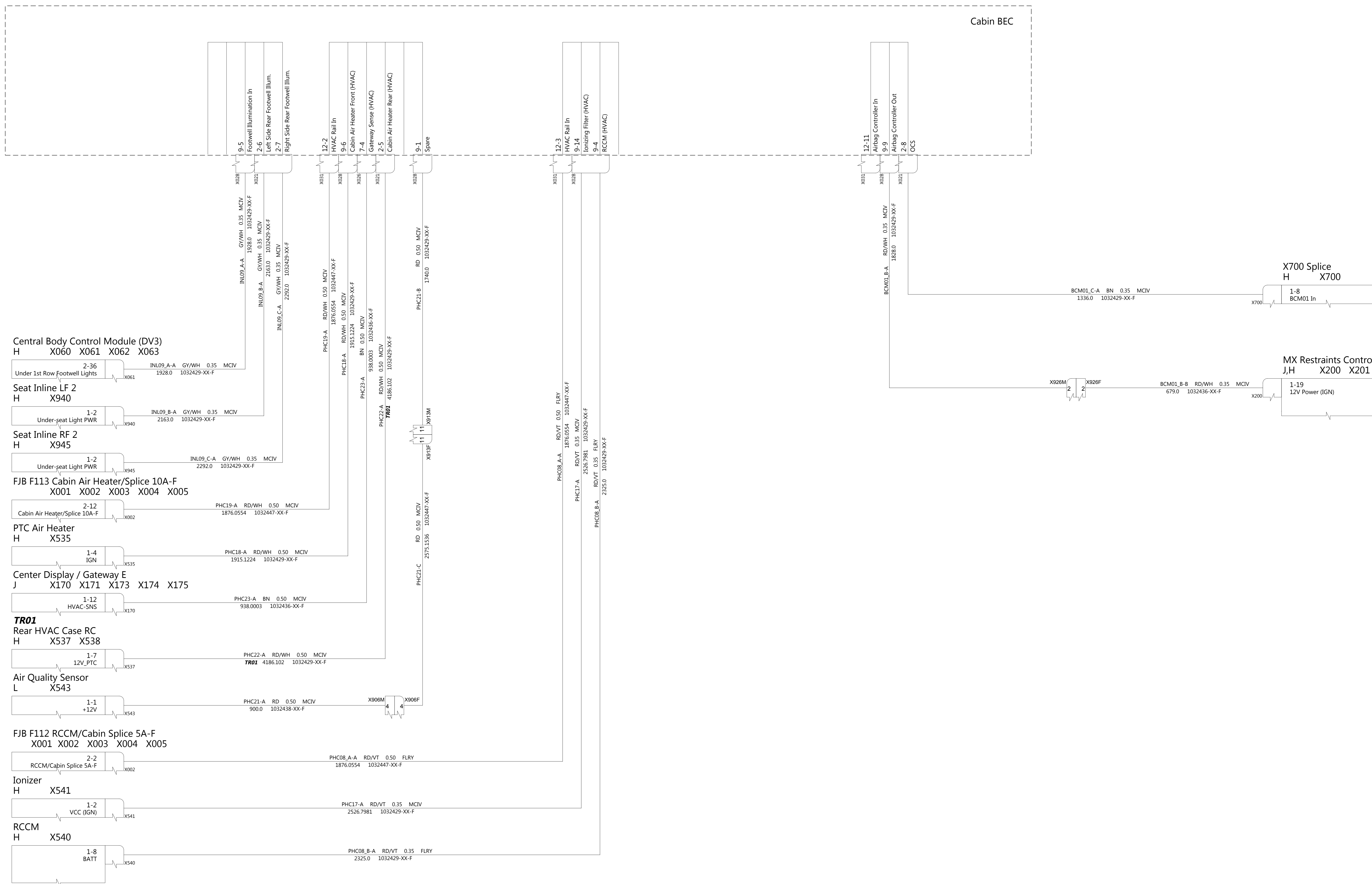
THE INFORMATION CONTAINED HEREIN IS DEEMED TO BE CONFIDENTIAL, PROPRIETARY, AND A TRADE SECRET OF TESLA MOTORS. THIS INFORMATION MAY NOT BE USED, REPRODUCED, OR DISCLOSED AS THE DIRECT OR INDIRECT BASIS FOR THE DEVELOPMENT, MANUFACTURE, OR SALE OF PROCESSES OR PRODUCTS WITHOUT THE EXPRESSED WRITTEN CONSENT OF TESLA MOTORS.

DRAWN	CHECKED	APPROVED
MATERIAL AS SPECIFIED	FINISHING AS SPECIFIED	SCALE NONE
PART NAME Cabin Junction Box (BEC8 DV2) - Rev2 Upd		
PART NUMBER	REV	SHEET
	1	56 OF 66
		SIZE A0



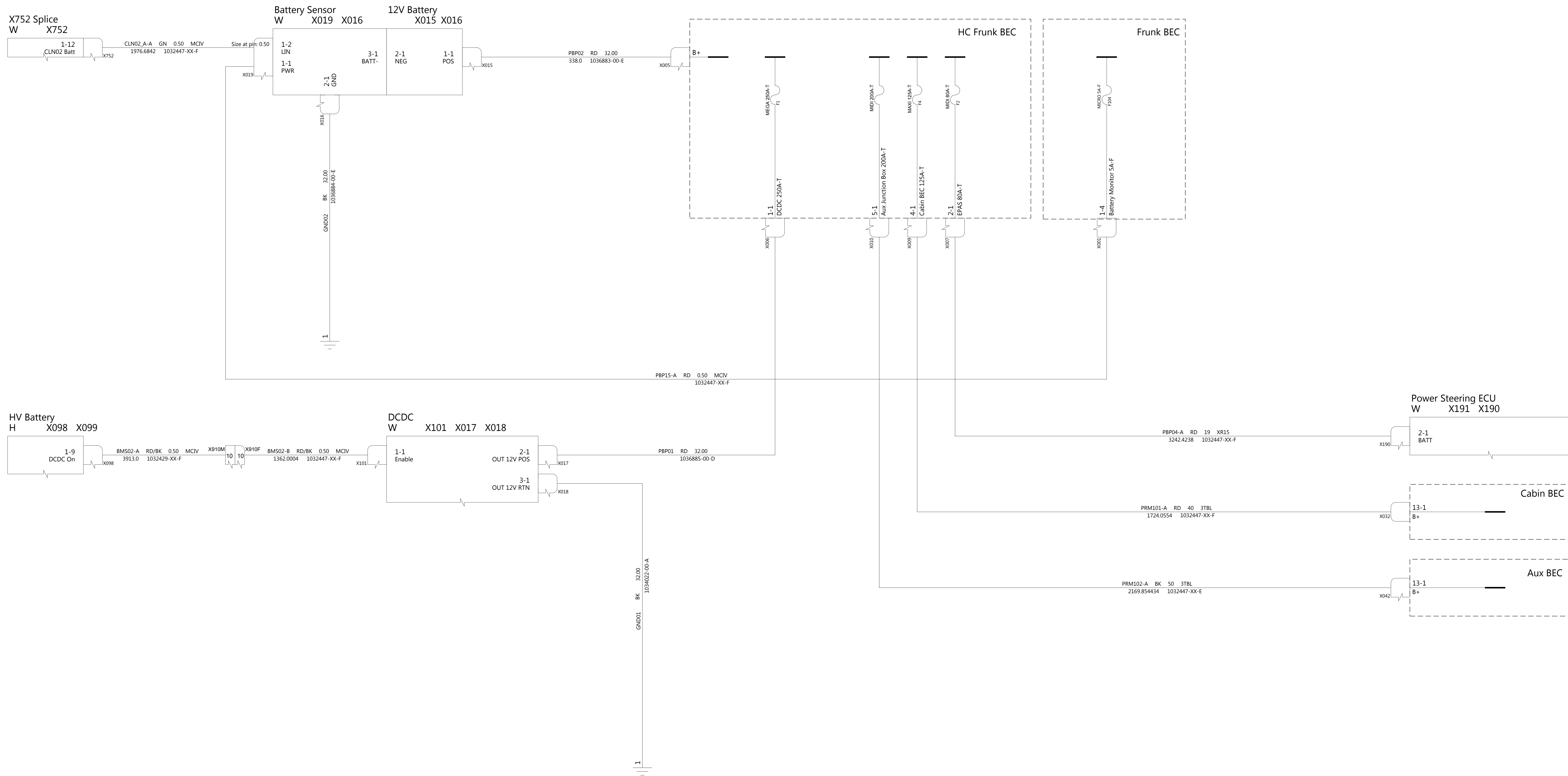
THE INFORMATION CONTAINED HEREIN IS DEEMED TO BE CONFIDENTIAL, PROPRIETARY, AND A TRADE SECRET OF TESLA MOTORS. THIS INFORMATION MAY NOT BE USED, REPRODUCED, OR DISCLOSED AS THE DIRECT OR INDIRECT BASIS FOR THE DEVELOPMENT, MANUFACTURE, OR SALE OF PROCESSES OR PRODUCTS WITHOUT THE EXPRESSED WRITTEN CONSENT OF TESLA MOTORS.

DRAWN	CHECKED	APPROVED
MATERIAL AS SPECIFIED	FINISHING AS SPECIFIED	SCALE NONE
PART NAME Cabin Junction Box (BEC8 DV2) - Rev2 Upd		
PART NUMBER	REV	SHEET
	1	2 OF 3
		SIZE A0



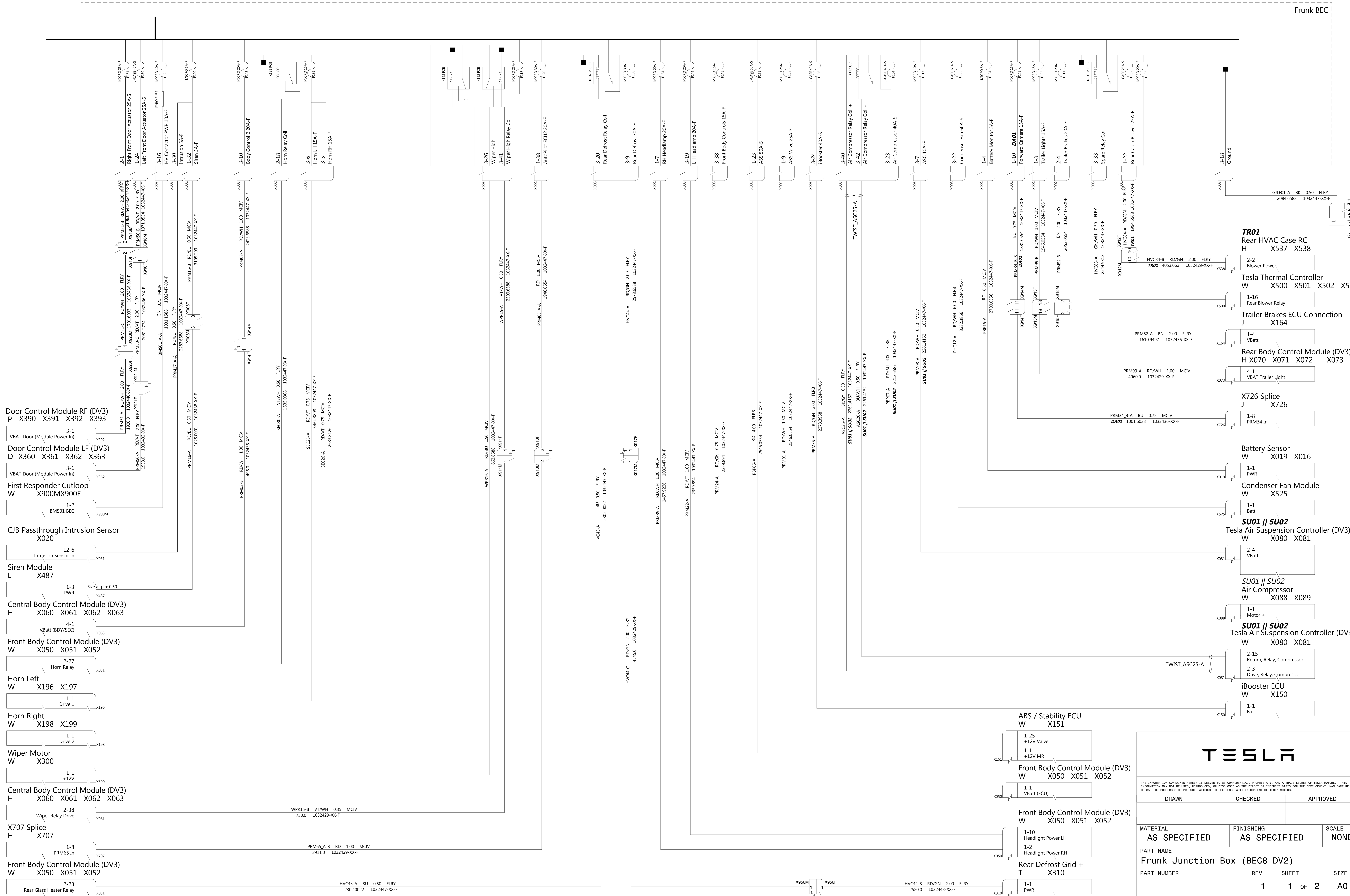
THE INFORMATION CONTAINED HEREIN IS DEEMED TO BE CONFIDENTIAL, PROPRIETARY, AND A TRADE SECRET OF TESLA MOTORS. THIS INFORMATION MAY NOT BE USED, REPRODUCED, OR DISCLOSED AS THE OBJECT OR INDIRECT BASIS FOR THE DEVELOPMENT, MANUFACTURE, OR SALE OF PROCESSES OR PRODUCTS WITHOUT THE EXPRESSED WRITTEN CONSENT OF TESLA MOTORS.

DRAWN	CHECKED	APPROVED
MATERIAL AS SPECIFIED	FINISHING AS SPECIFIED	SCALE NONE
PART NAME Cabin Junction Box (BEC8 DV2) - Rev2 Upd		
PART NUMBER	REV	SHEET
	1	3 OF 3
		SIZE A0



THE INFORMATION CONTAINED HEREIN IS DEEMED TO BE CONFIDENTIAL, PROPRIETARY, AND A TRADE SECRET OF TESLA MOTORS. THIS INFORMATION MAY NOT BE USED, REPRODUCED, OR DISCLOSED AS THE DIRECT OR INDIRECT BASIS FOR THE DEVELOPMENT, MANUFACTURE, OR SALE OF PROCESSES OR PRODUCTS WITHOUT THE EXPRESSED WRITTEN CONSENT OF TESLA MOTORS.

DRAWN		CHECKED	APPROVED
MATERIAL AS SPECIFIED		FINISHING AS SPECIFIED	SCALE NONE
PART NAME			
PART NUMBER	REV	SHEET	SIZE
	1	1 OF 1	A0

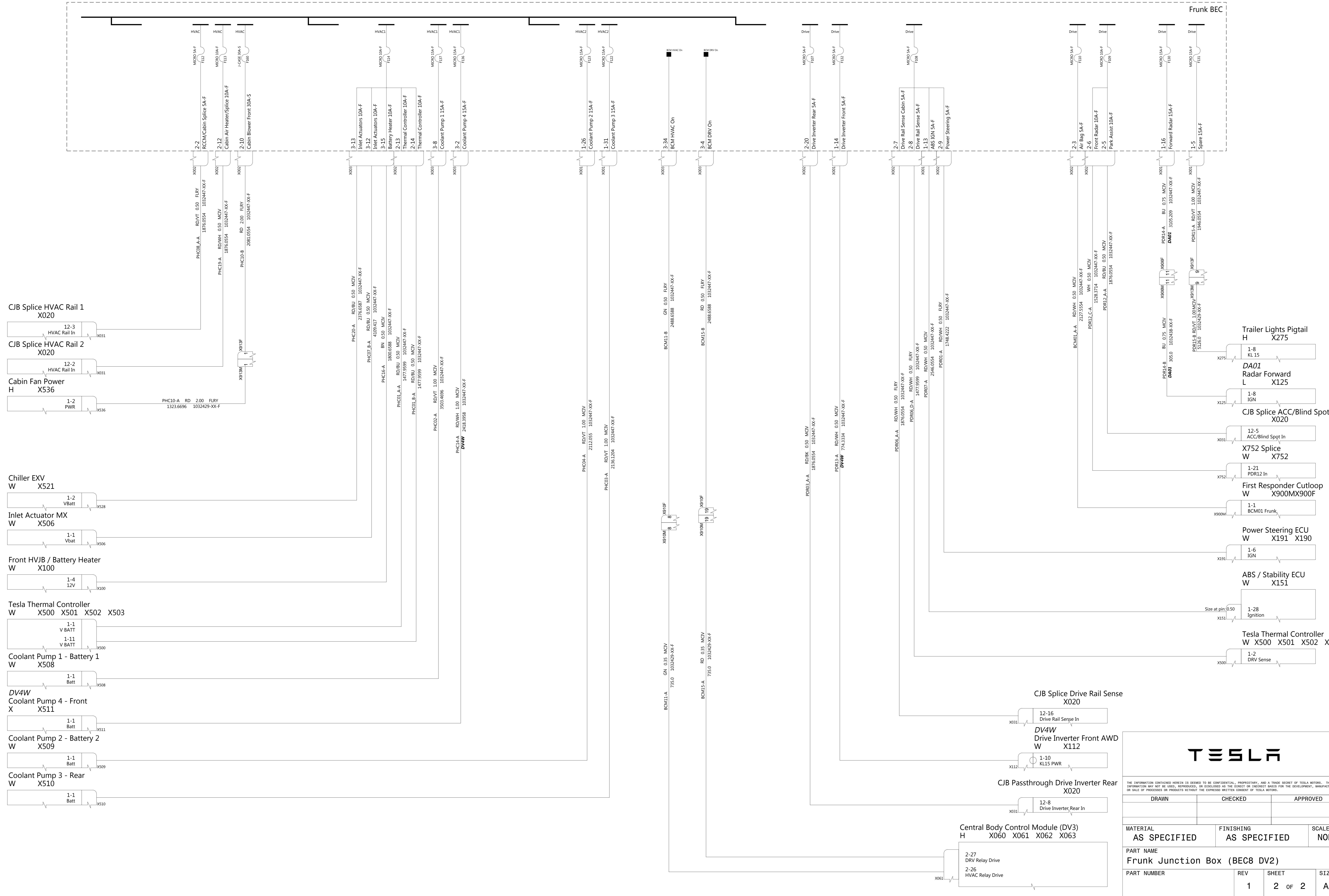


Frunk BEC



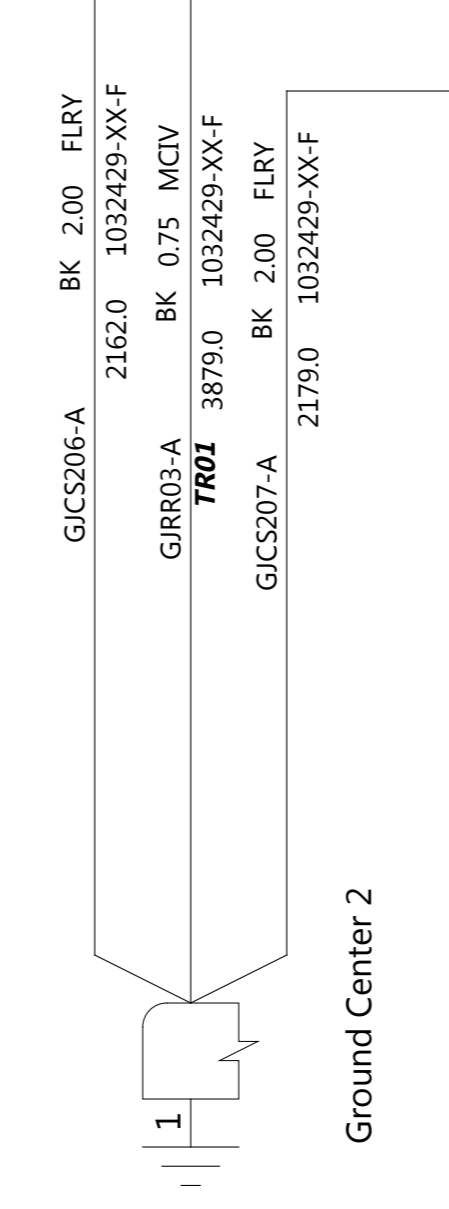
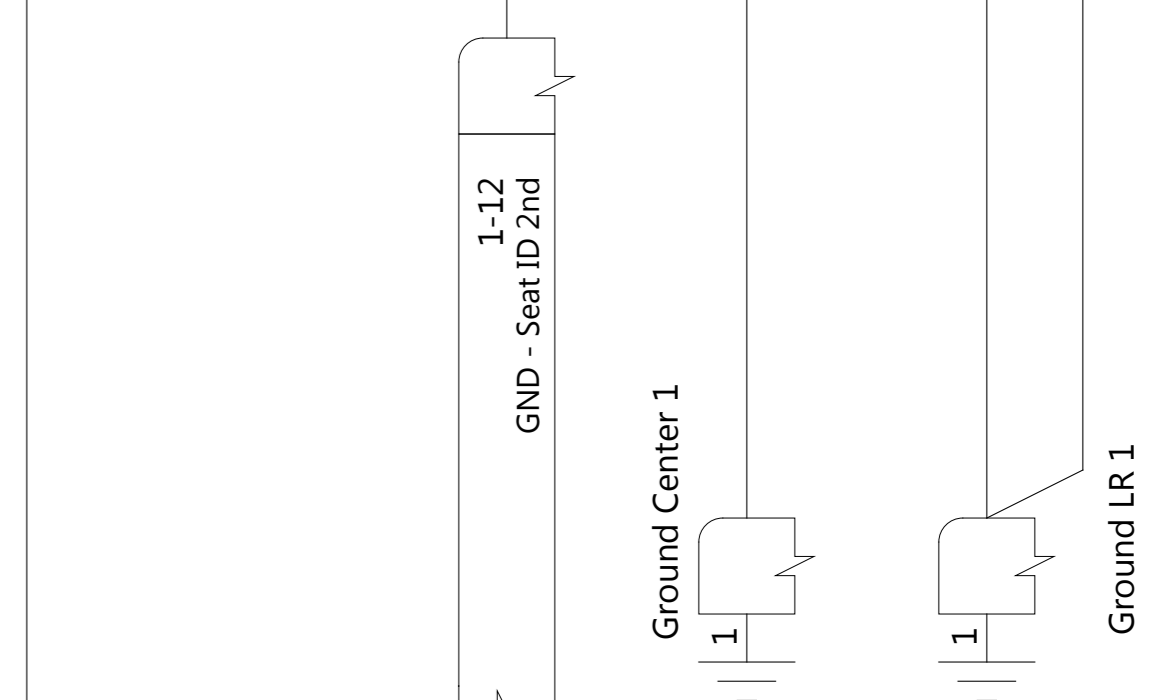
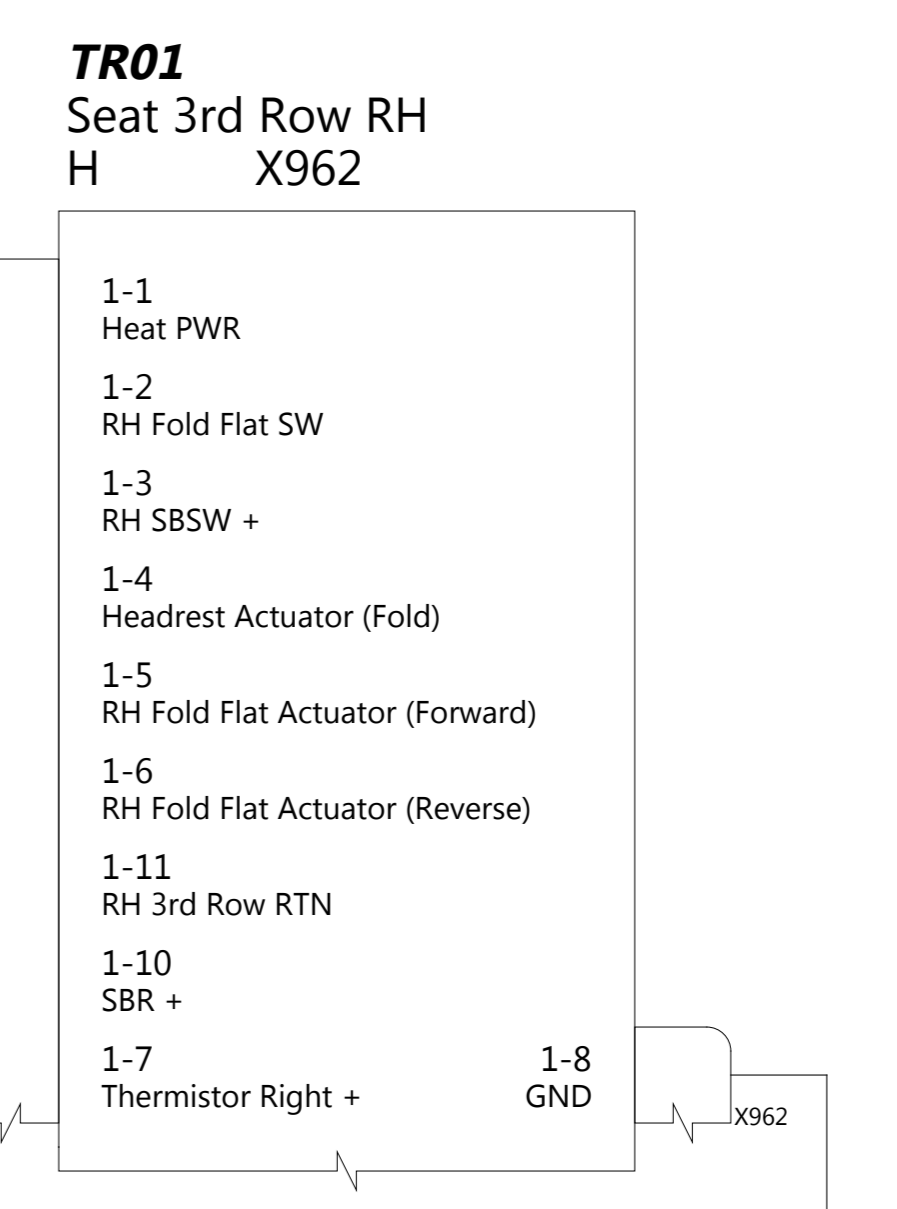
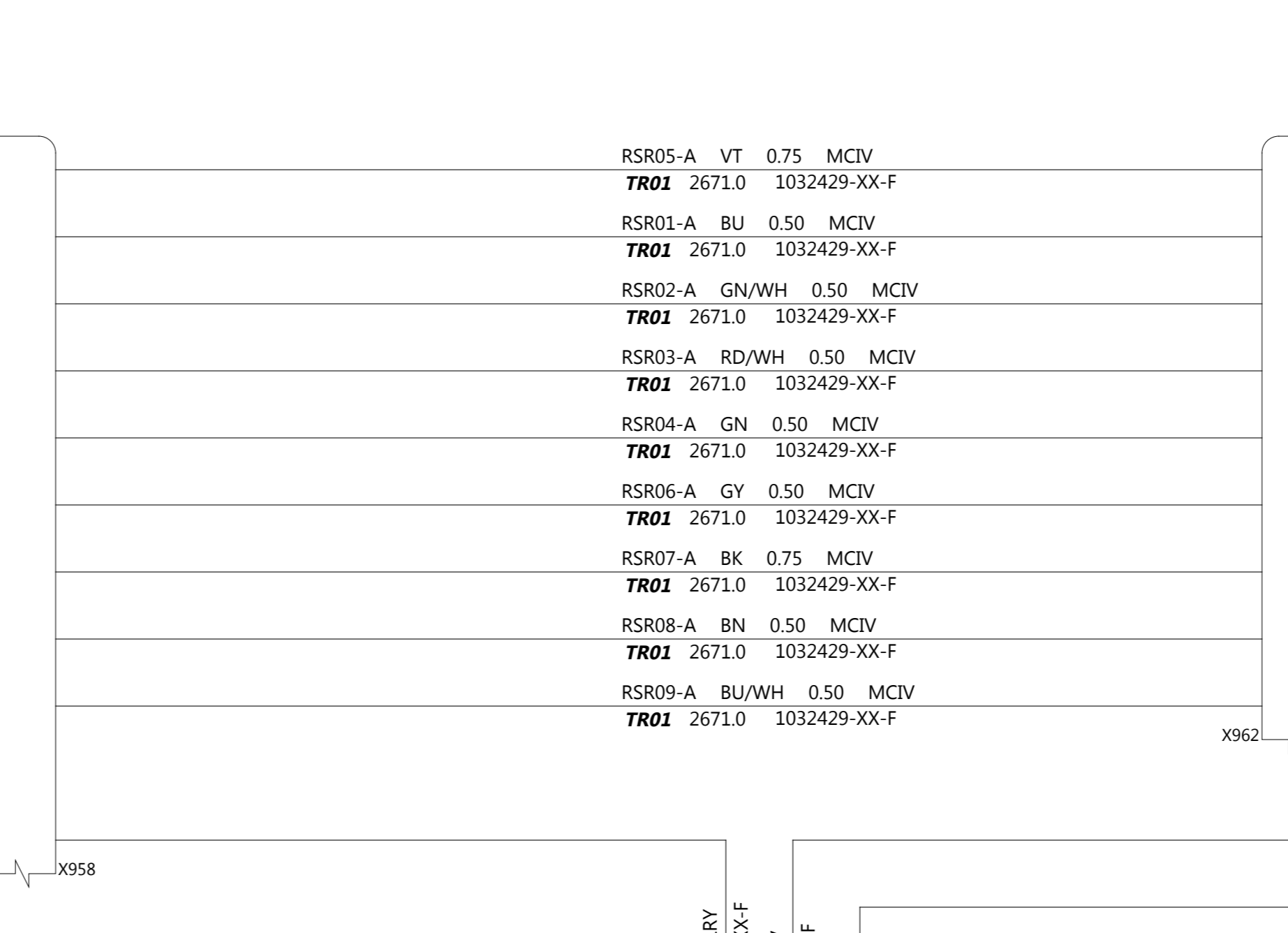
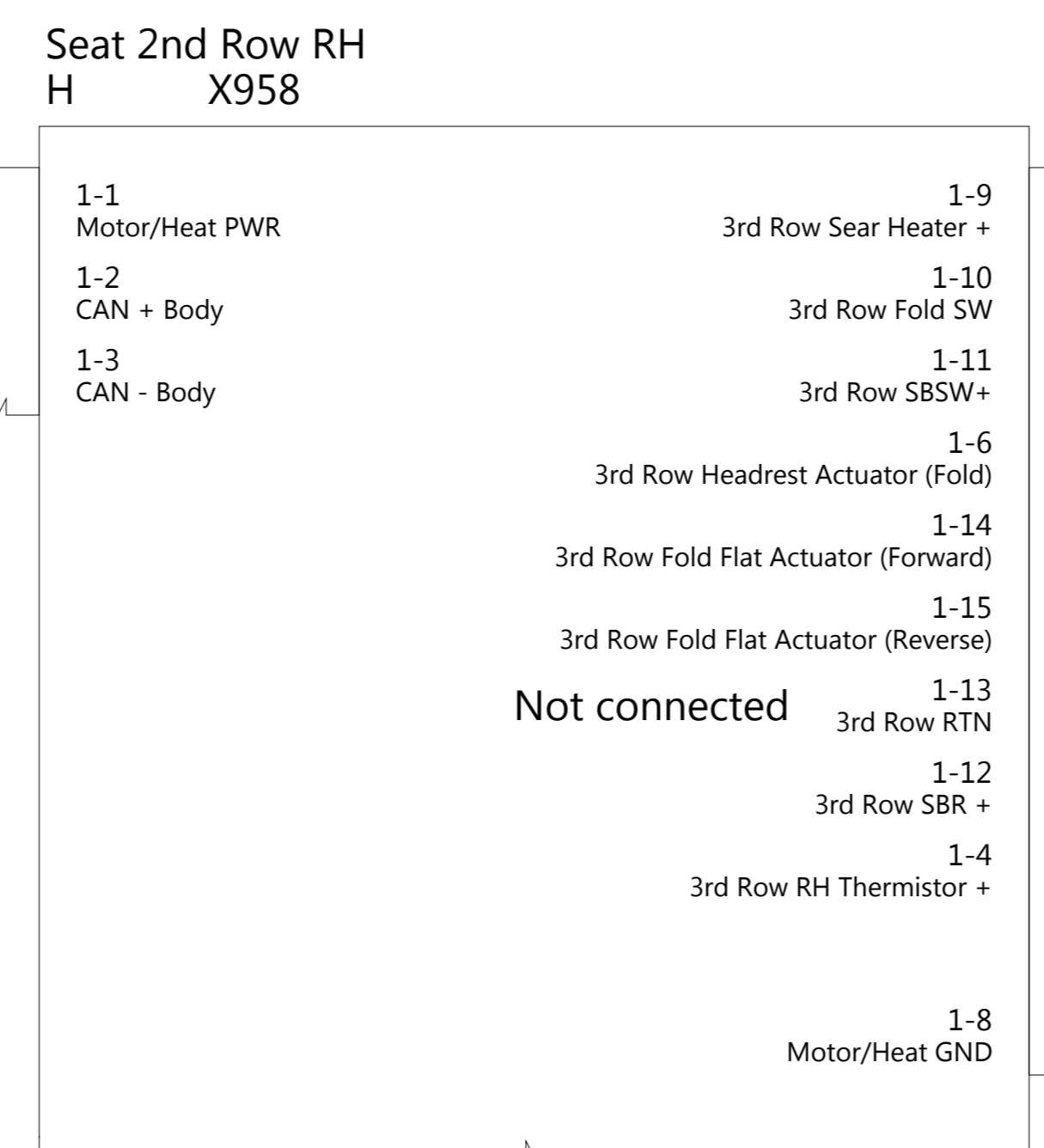
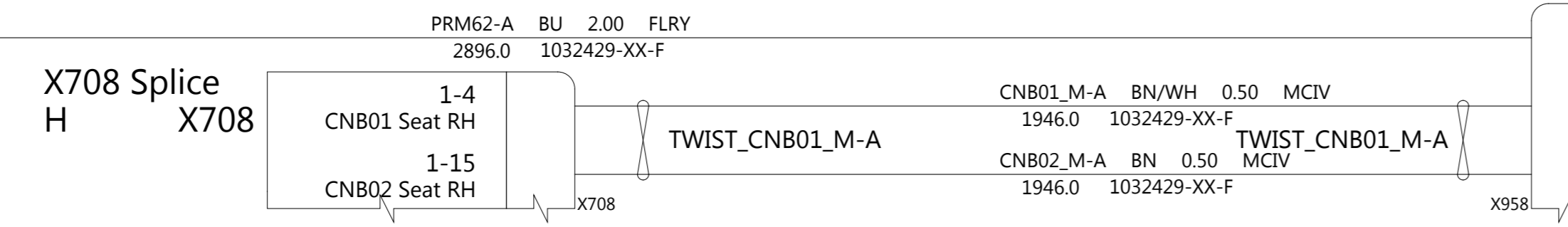
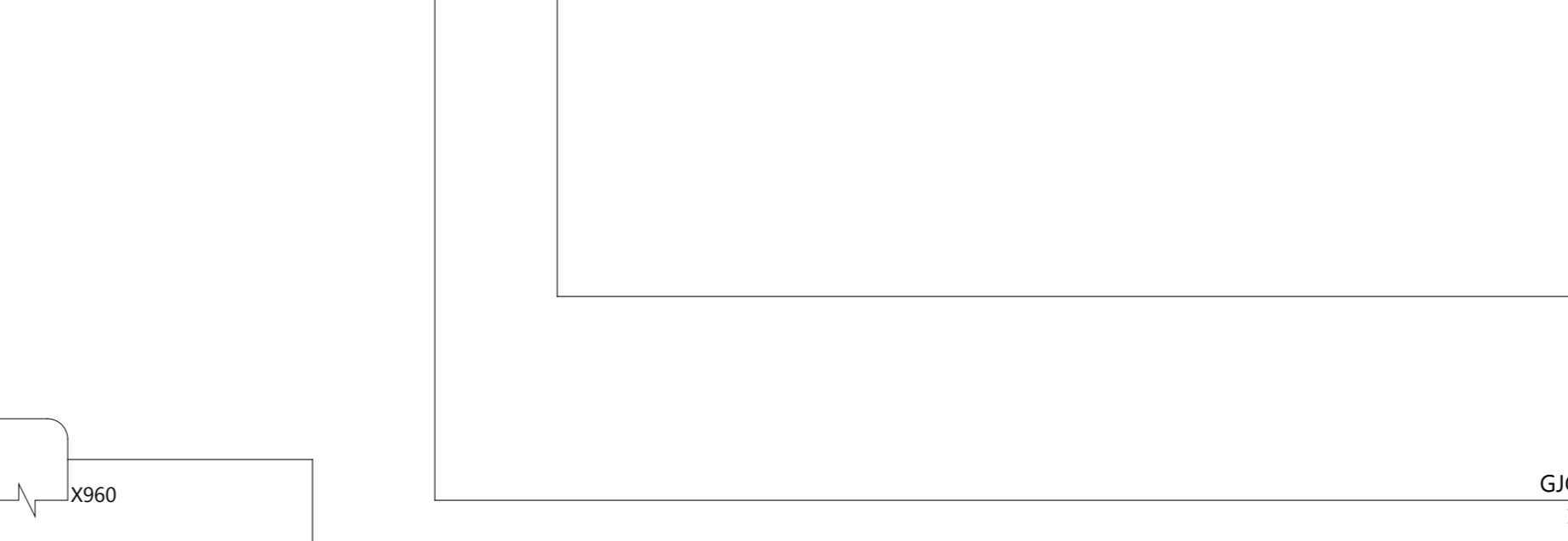
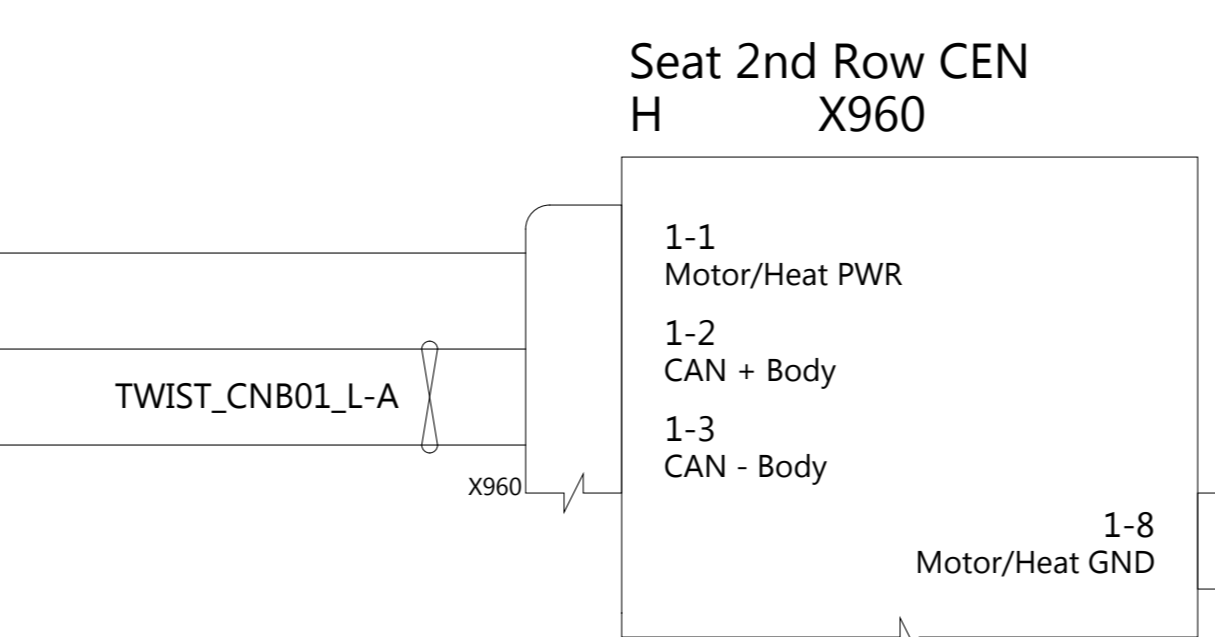
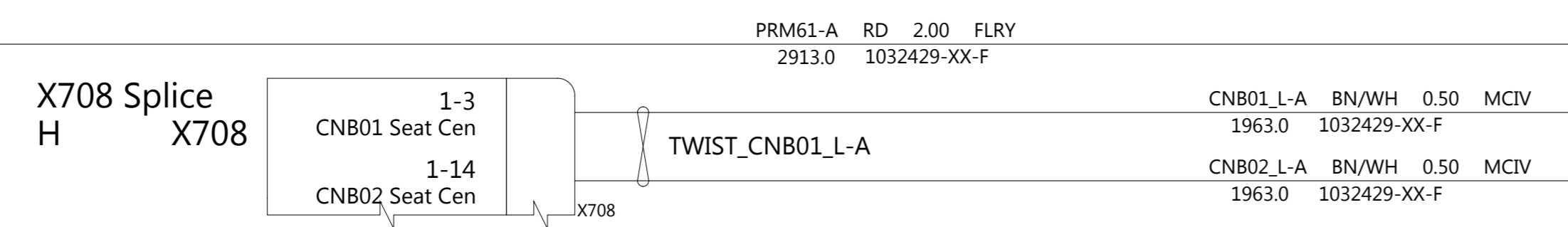
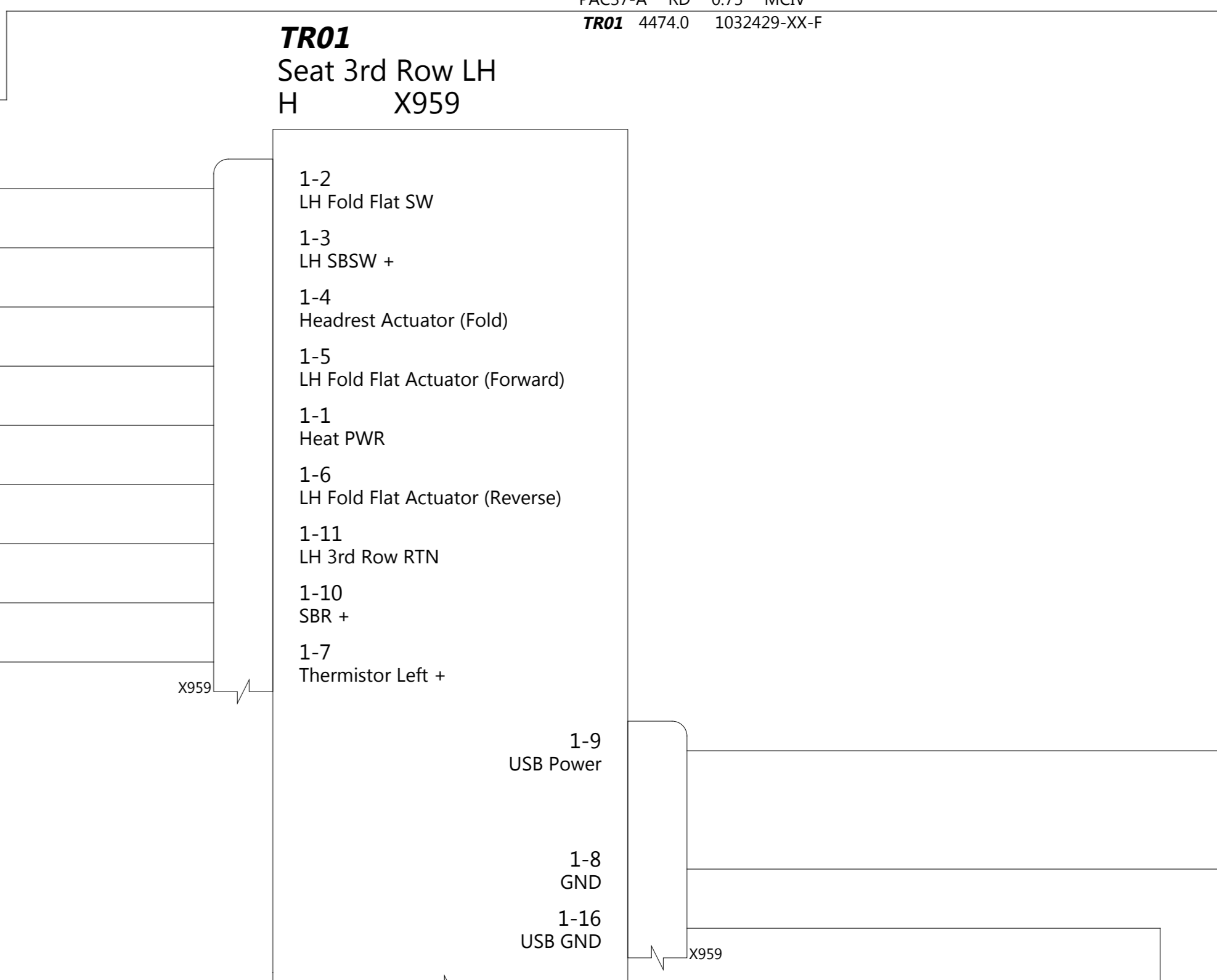
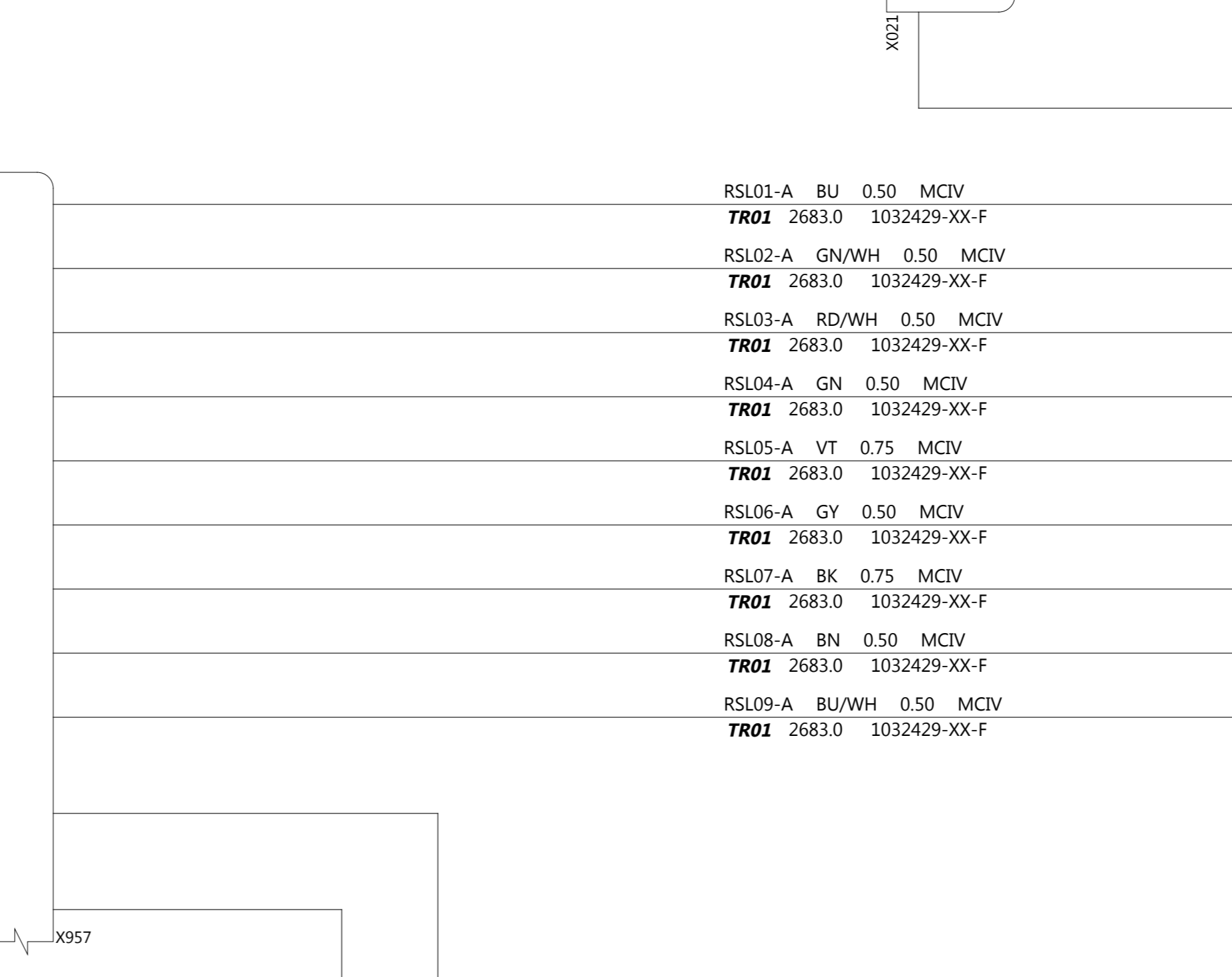
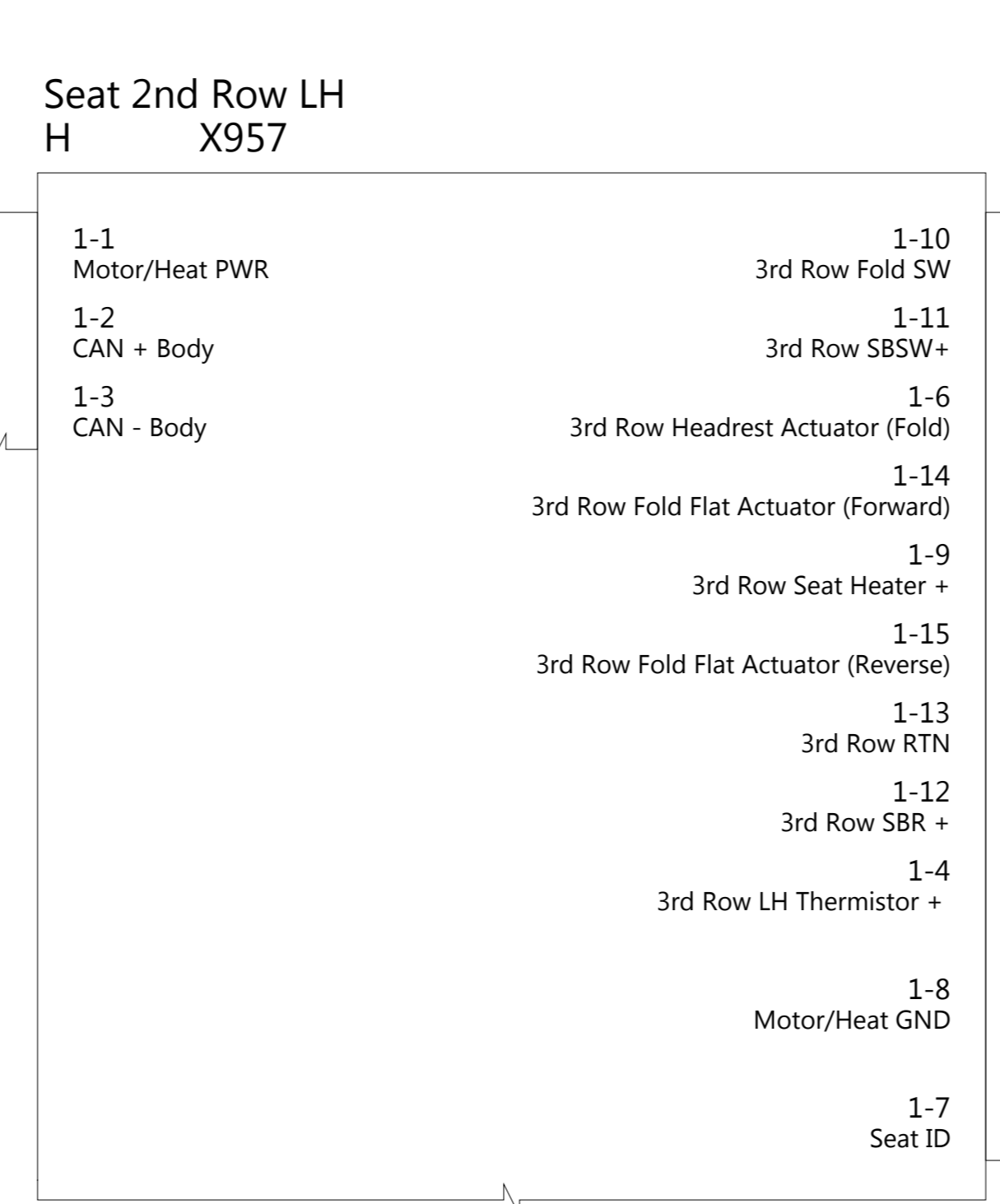
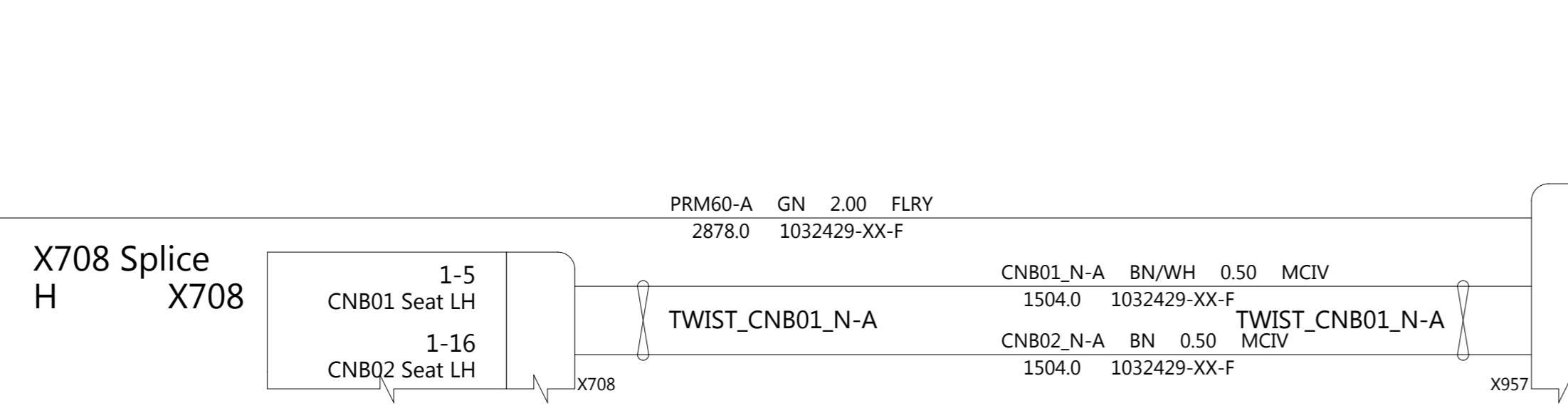
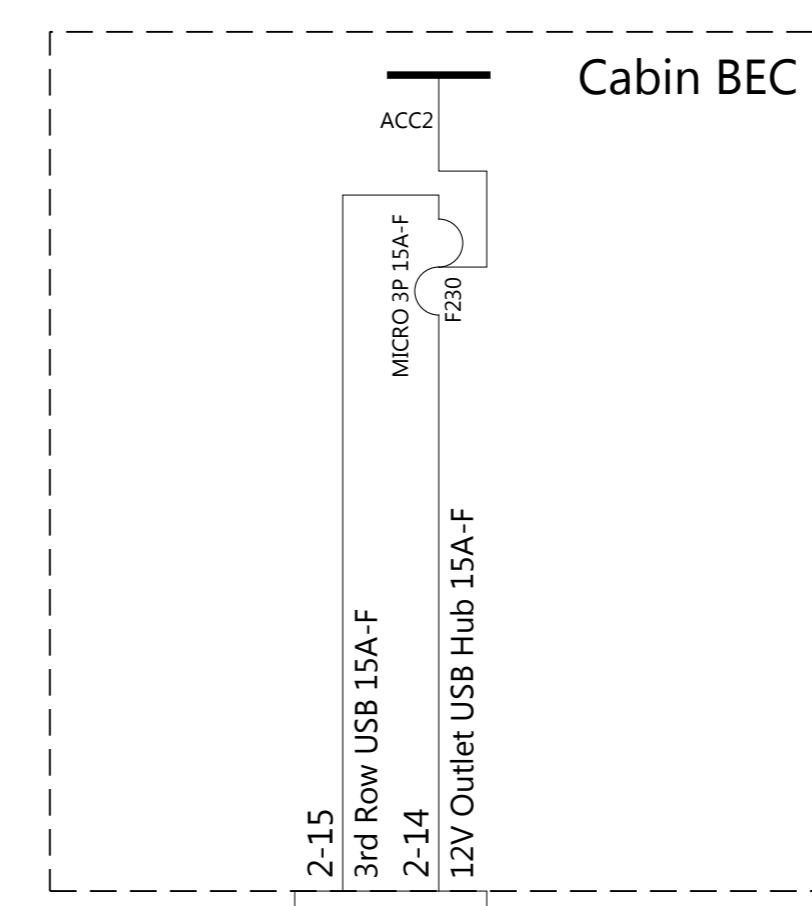
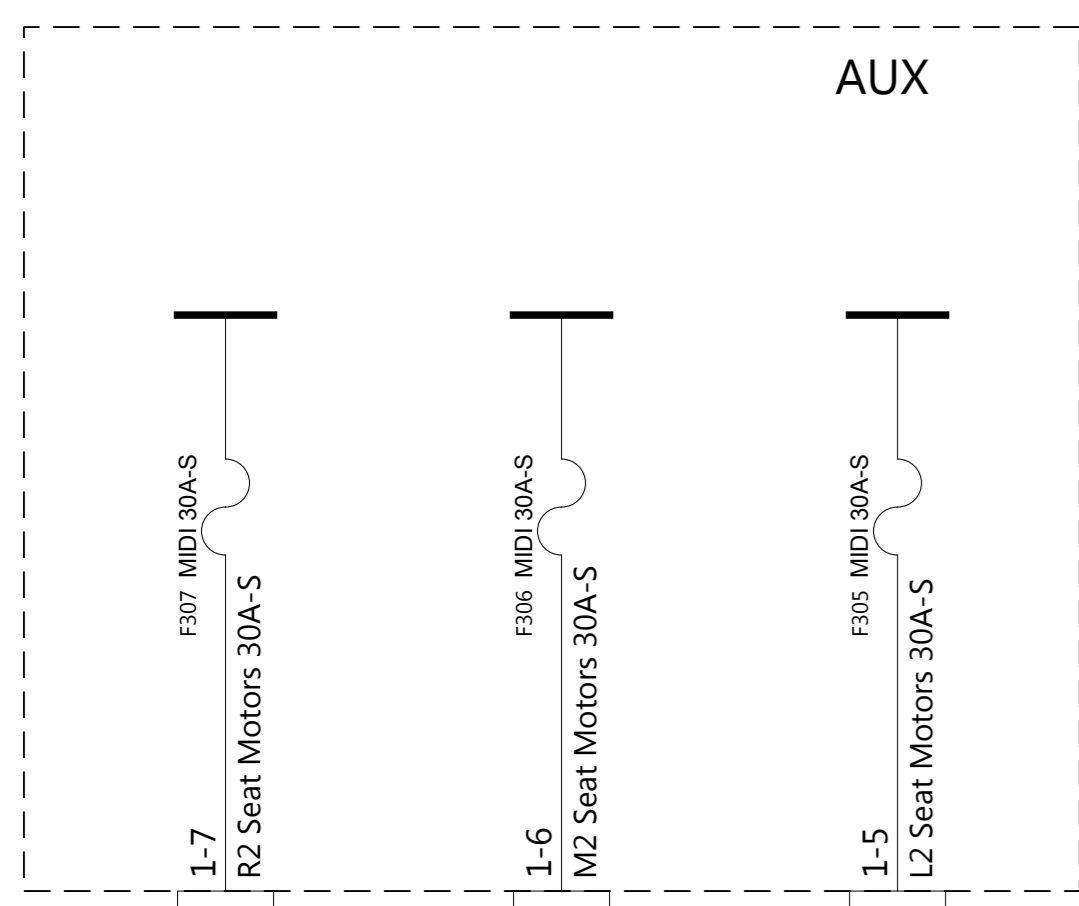
THE INFORMATION CONTAINED HEREIN IS DEEMED TO BE CONFIDENTIAL, PROPRIETARY, AND A TRADE SECRET OF TESLA MOTORS. THIS INFORMATION MAY NOT BE USED, REPRODUCED, OR DISCLOSED AS THE DIRECT OR INDIRECT BASIS FOR THE DEVELOPMENT, MANUFACTURE, OR SALE OF PROCESSES OR PRODUCTS WITHOUT THE EXPRESSED WRITTEN CONSENT OF TESLA MOTORS.

DRAWN	CHECKED	APPROVED
MATERIAL AS SPECIFIED	FINISHING AS SPECIFIED	SCALE NONE
PART NAME Frunk Junction Box (BEC8 DV2)		
PART NUMBER	REV	SHEET
	1	1 OF 2
		SIZE A0



THE INFORMATION CONTAINED HEREIN IS DEEMED TO BE CONFIDENTIAL, PROPRIETARY, AND A TRADE SECRET OF TESLA MOTORS. THIS INFORMATION MAY NOT BE USED, REPRODUCED, OR DISCLOSED AS THE DIRECT OR INDIRECT BASIS FOR THE DEVELOPMENT, MANUFACTURE, OR SALE OF PROCESSES OR PRODUCTS WITHOUT THE EXPRESSED WRITTEN CONSENT OF TESLA MOTORS.

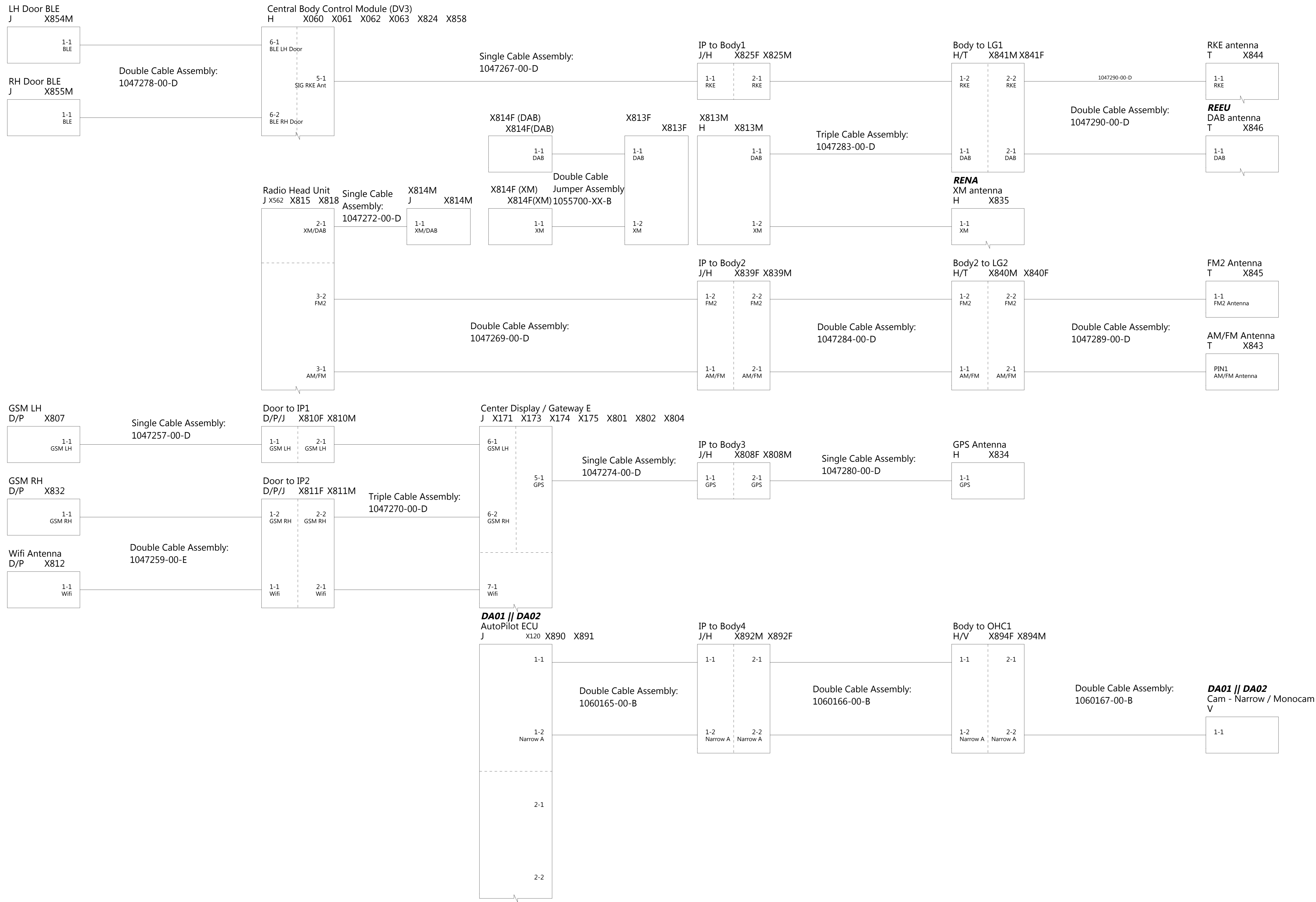
DRAWN	CHECKED	APPROVED
MATERIAL AS SPECIFIED	FINISHING AS SPECIFIED	SCALE NONE
PART NAME Frunk Junction Box (BEC8 DV2)		
PART NUMBER	REV	SHEET
	1	2 OF 2
		SIZE A0



TESLA

THE INFORMATION CONTAINED HEREIN IS DEEMED TO BE CONFIDENTIAL, PROPRIETARY, AND A TRADE SECRET OF TESLA MOTORS. THIS INFORMATION MAY NOT BE USED, REPRODUCED, OR DISCLOSED AS THE DIRECT OR INDIRECT BASIS FOR THE DEVELOPMENT, MANUFACTURE, OR SALE OF PROCESSES OR PRODUCTS WITHOUT THE EXPRESS WRITTEN CONSENT OF TESLA MOTORS.

DRAWN	CHECKED	APPROVED
MATERIAL AS SPECIFIED	FINISHING AS SPECIFIED	SCALE NONE
PART NAME Rear Seat Interface / Rear Heated Seats		
PART NUMBER	REV	SHEET
	1	1 OF 1
		SIZE A0



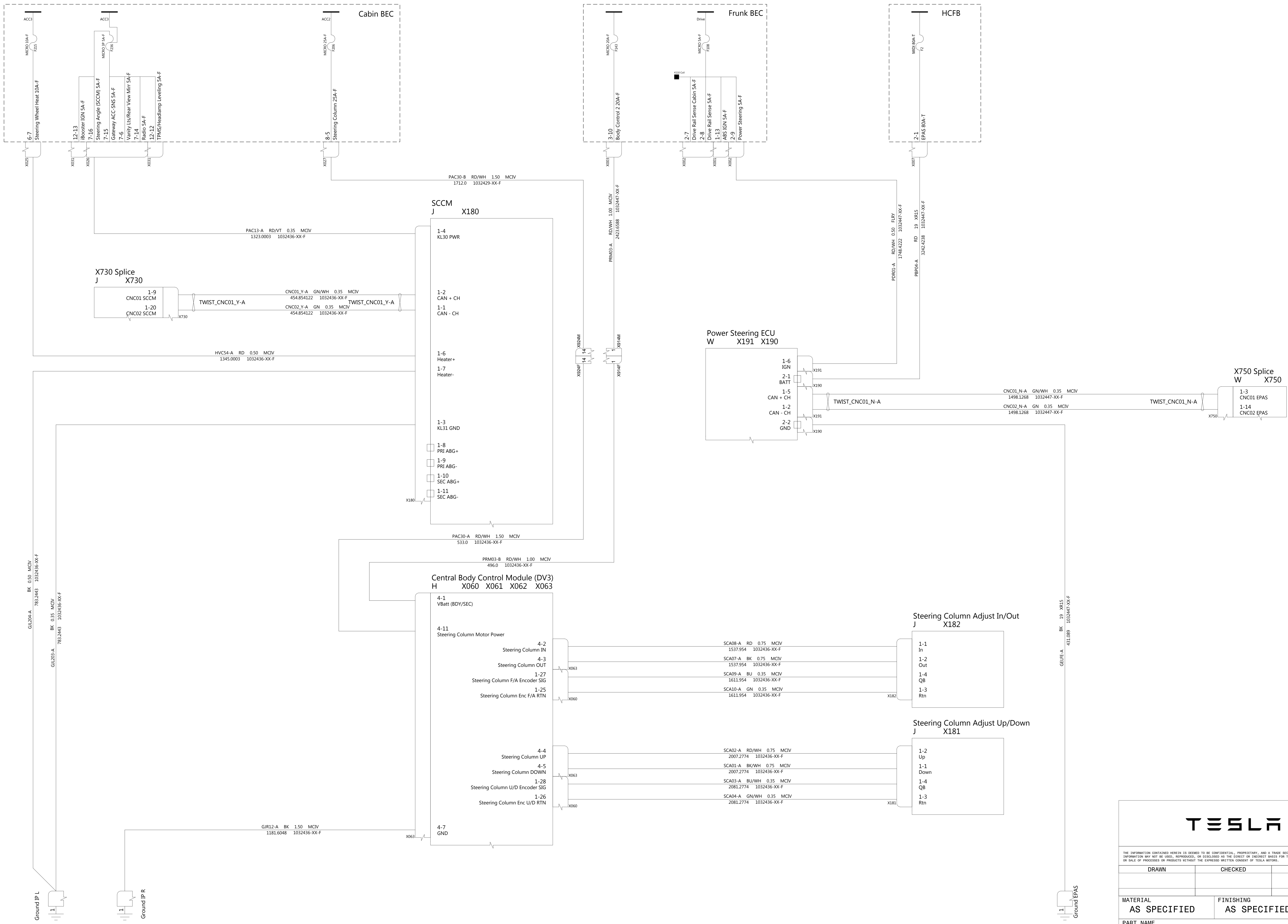
THE INFORMATION CONTAINED HEREIN IS DEEMED TO BE CONFIDENTIAL, PROPRIETARY, AND A TRADE SECRET OF TESLA MOTORS. THIS INFORMATION MAY NOT BE USED, REPRODUCED, OR DISCLOSED AS THE DIRECT OR INDIRECT BASIS FOR THE DEVELOPMENT, MANUFACTURE, OR SALE OF PROCESSES OR PRODUCTS WITHOUT THE EXPRESSED WRITTEN CONSENT OF TESLA MOTORS.

DRAWN	CHECKED	APPROVED
-------	---------	----------

MATERIAL AS SPECIFIED	FINISHING AS SPECIFIED	SCALE NONE
--------------------------	---------------------------	---------------

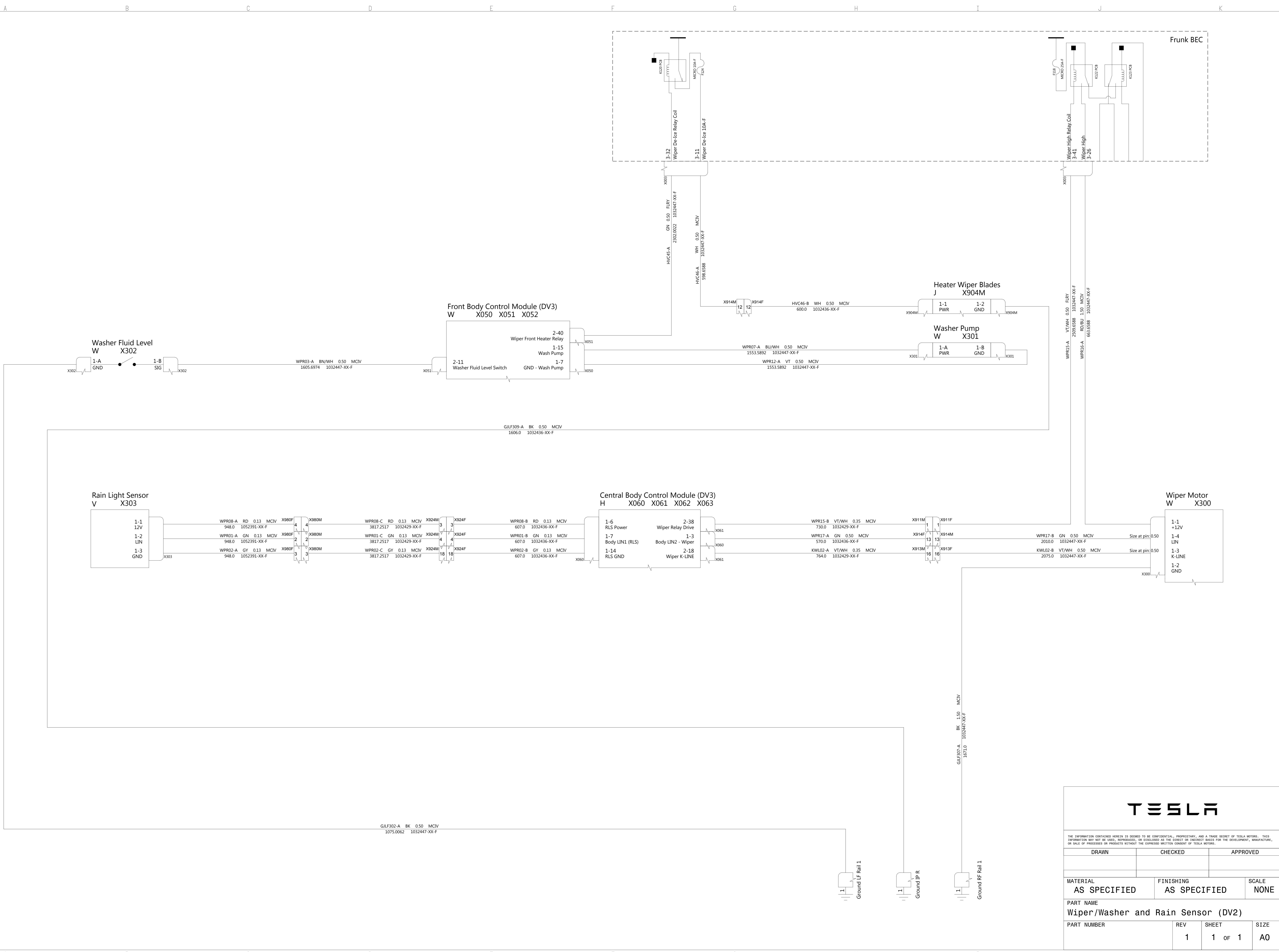
PART NAME
Coaxial Cables

PART NUMBER	REV	SHEET	SIZE
	RF C	1 OF 1	A0



THE INFORMATION CONTAINED HEREIN IS DEEMED TO BE CONFIDENTIAL, PROPRIETARY, AND A TRADE SECRET OF TESLA MOTORS. THIS INFORMATION MAY NOT BE USED, REPRODUCED, OR DISCLOSED AS THE DIRECT OR INDIRECT BASIS FOR THE DEVELOPMENT, MANUFACTURE, OR SALE OF PROCESSES OR PRODUCTS WITHOUT THE EXPRESSED WRITTEN CONSENT OF TESLA MOTORS.

DRAWN	CHECKED	APPROVED
MATERIAL AS SPECIFIED	FINISHING AS SPECIFIED	SCALE NONE
PART NAME Steering Wheel Controls / Power Steering		
PART NUMBER	REV 1	SHEET 64 OF 66
		SIZE A0



THE INFORMATION CONTAINED HEREIN IS DEEMED TO BE CONFIDENTIAL, PROPRIETARY, AND A TRADE SECRET OF TESLA MOTORS. THIS INFORMATION MAY NOT BE USED, REPRODUCED, OR DISCLOSED AS THE DIRECT OR INDIRECT BASIS FOR THE DEVELOPMENT, MANUFACTURE, OR SALE OF PROCESSES OR PRODUCTS WITHOUT THE EXPRESSED WRITTEN CONSENT OF TESLA MOTORS.

DRAWN	CHECKED	APPROVED
-------	---------	----------

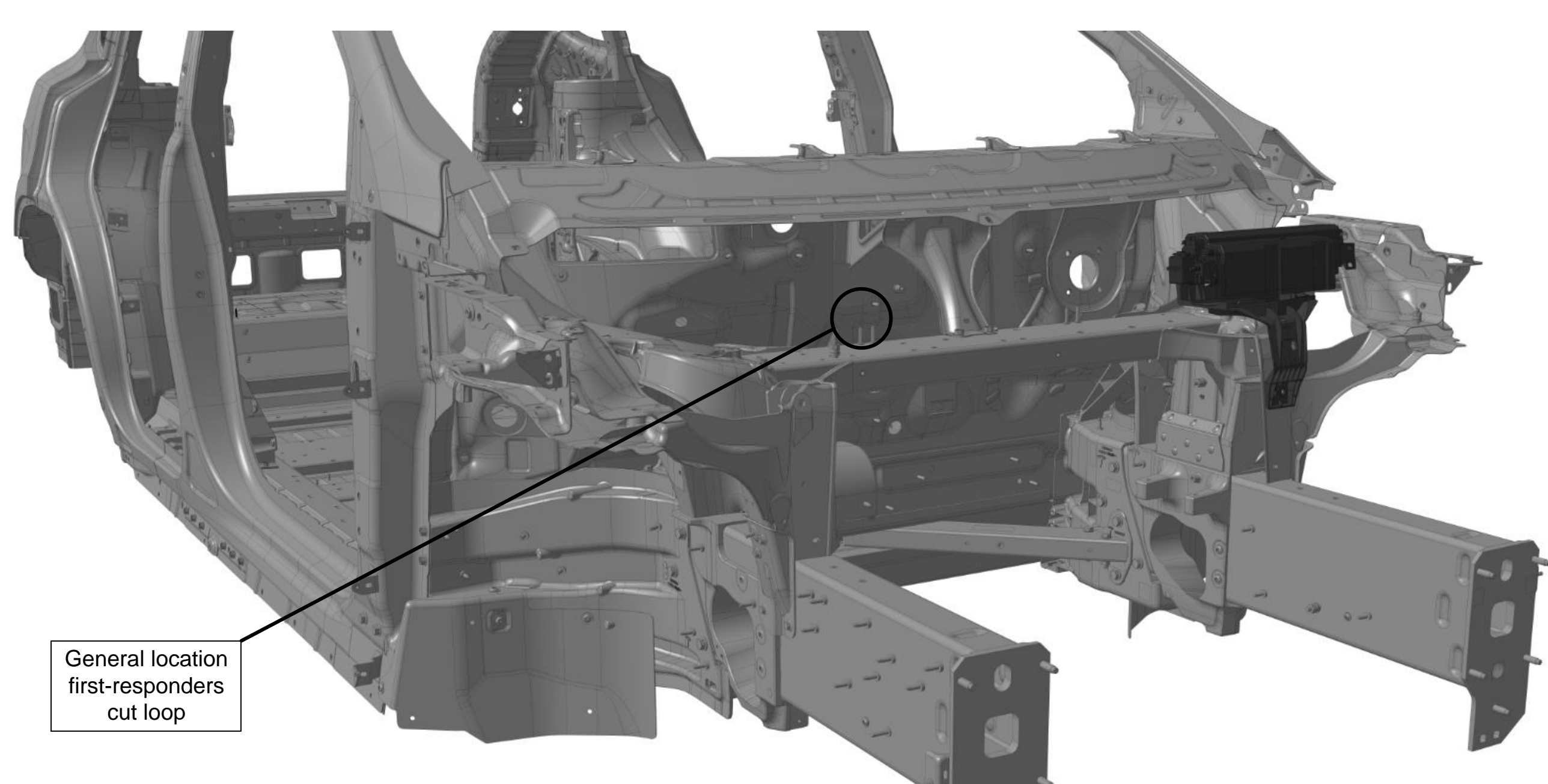
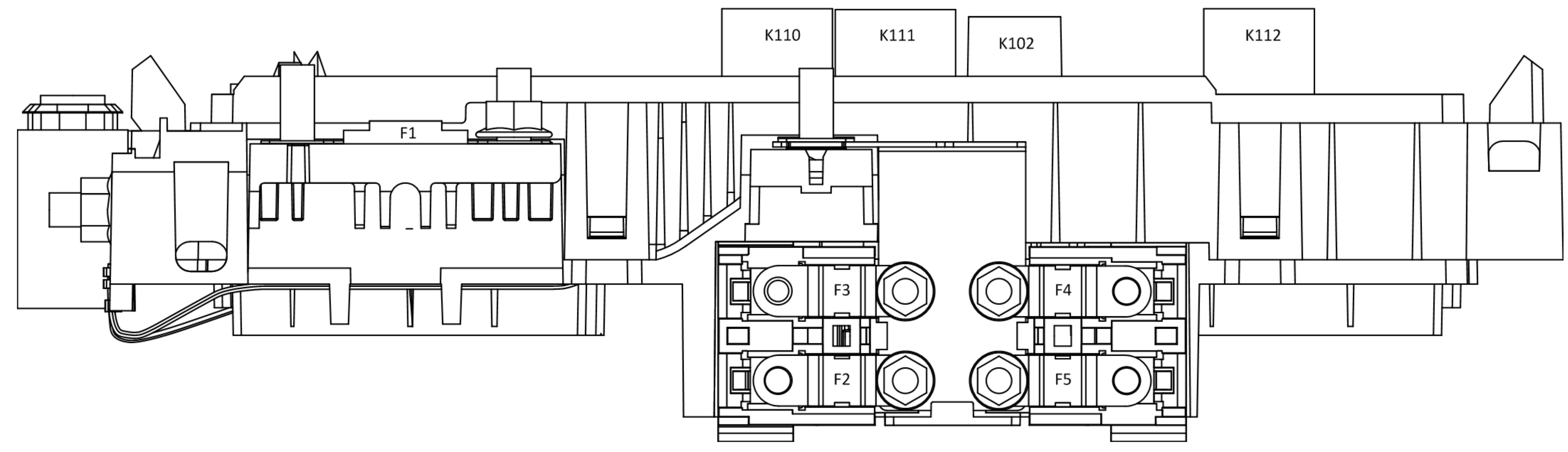
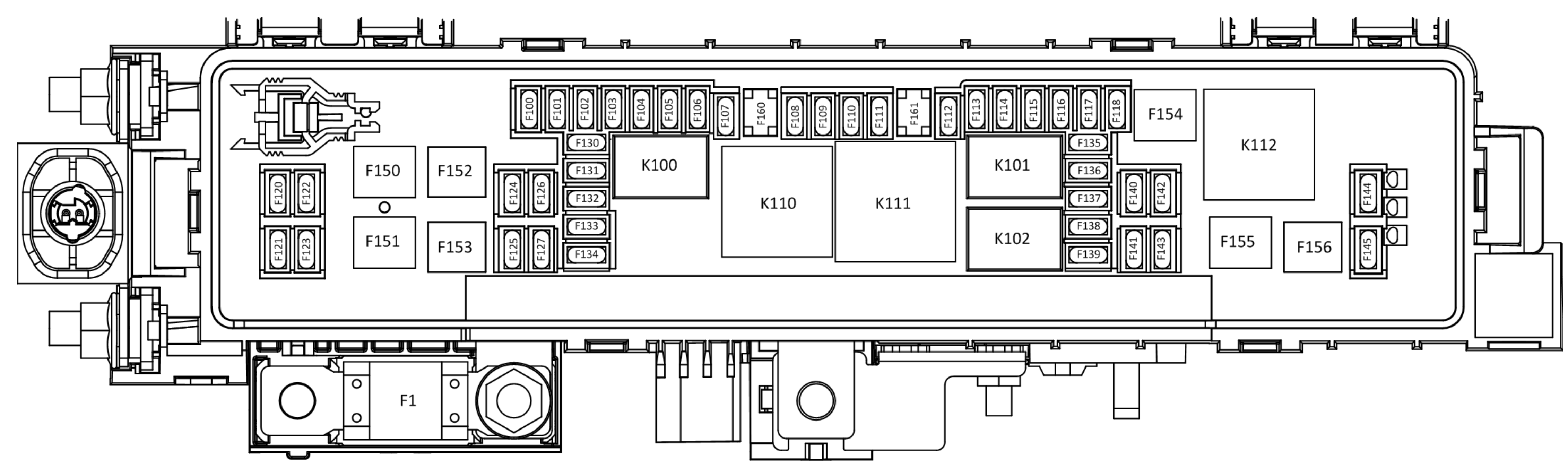
MATERIAL AS SPECIFIED	FINISHING AS SPECIFIED	SCALE NONE
--------------------------	---------------------------	---------------

PART NAME
Wiper/Washer and Rain Sensor (DV2)

PART NUMBER	REV	SHEET	SIZE
	1	1 OF 1	A0

Fuse	Value	Function
F1	MEGA - 250A	DCDC power input
F2	MIDI - 80A	Power Steering
F3		not used
F4	MIDI - 125A	Cabin BEC (fuse box)
F5	MIDI - 200A	AUX BEC (fuse box)
F100	MICRO2 - 5A	Siren and Intrusion Sensor
F101	MICRO2 - 15A	Forward Camera
F102		not used
F103	MICRO2 - 25A	ABS - Valves
F104	MICRO2 - 5A	12V Battery Monitor
F105	MICRO2 - 15A	Trailer Lights
F106		not used
F107	MICRO2 - 5A	Drive Inverter, Rear
F108	MICRO2 - 5A	IGN Sense
F109	MICRO2 - 10A	Corner Radar
F110	MICRO2 - 5A	Airbag System
F111	MICRO2 - 20A	Trailer Brakes Controller (Controller supplied by Customer)
F112	MICRO2 - 5A	Cabin Climate Controls, Front / Ionizer
F113	MICRO2 - 10A	Cabin Heater, Rear Climate Control, Air Quality Sensor
F114	MICRO2 - 10A	Thermal Controller, Battery Heater, Inlet, Chiller Valve
F115		not used
F116	MICRO2 - 10A	not used
F117	MICRO2 - 10A	Air Suspension
F118	MICRO2 - 25A	Windshield Wiper
F120	MICRO2 - 30A	Second row Seats Secondary Power - tilt
F121	MICRO2 - 5A	
F122	MICRO2 - 15A	Coolant Pump 3 (PT1)
F123	MICRO2 - 15A	Coolant Pump 2 (BA1)
F124	MICRO2 - 10A	Wiper De-ice (function TBD)
F125	MICRO2 - 10A	Contactors Power
F126		not used
F130	MICRO2 - 15A	Forward Radar
F131	MICRO2 - 15A	IGN - Trailer Connector
F132	MICRO2 - 5A	Drive Inverter, Front
F133		not used
F134	MICRO2 - 20A	Headlamp, Right
F135		not used
F136	MICRO2 - 15A	Coolant Pump 4 (PT2)
F137	MICRO2 - 15A	Coolant Pump 1 (BA1)
F138	MICRO2 - 30A	Rear Defrost Grid
F139	MICRO2 - 15A	Horns
F140		not used
F141		not used
F142		not used
F143	MICRO2 - 20A	Central Body Controller
F144	MICRO2 - 20A	Headlamp, Left
F145	MICRO2 - 15A	Front Body Controller
F150	JCASELP - 25A	Left Front Door Actuator
F151	JCASELP - 50A	ABS - Motor
F152	JCASELP - 25A	Rear Cabin Blower
F153		not used
F154	JCASELP - 40A	Air Compressor
F155	JCASELP - 60A	Condenser Fan
F156	JCASELP - 40A	iBooster / Brake Assist
F160	JCASELP - 30A	Cabin Blower, Front
F161	JCASEM - 25A	Right Front Door Actuator

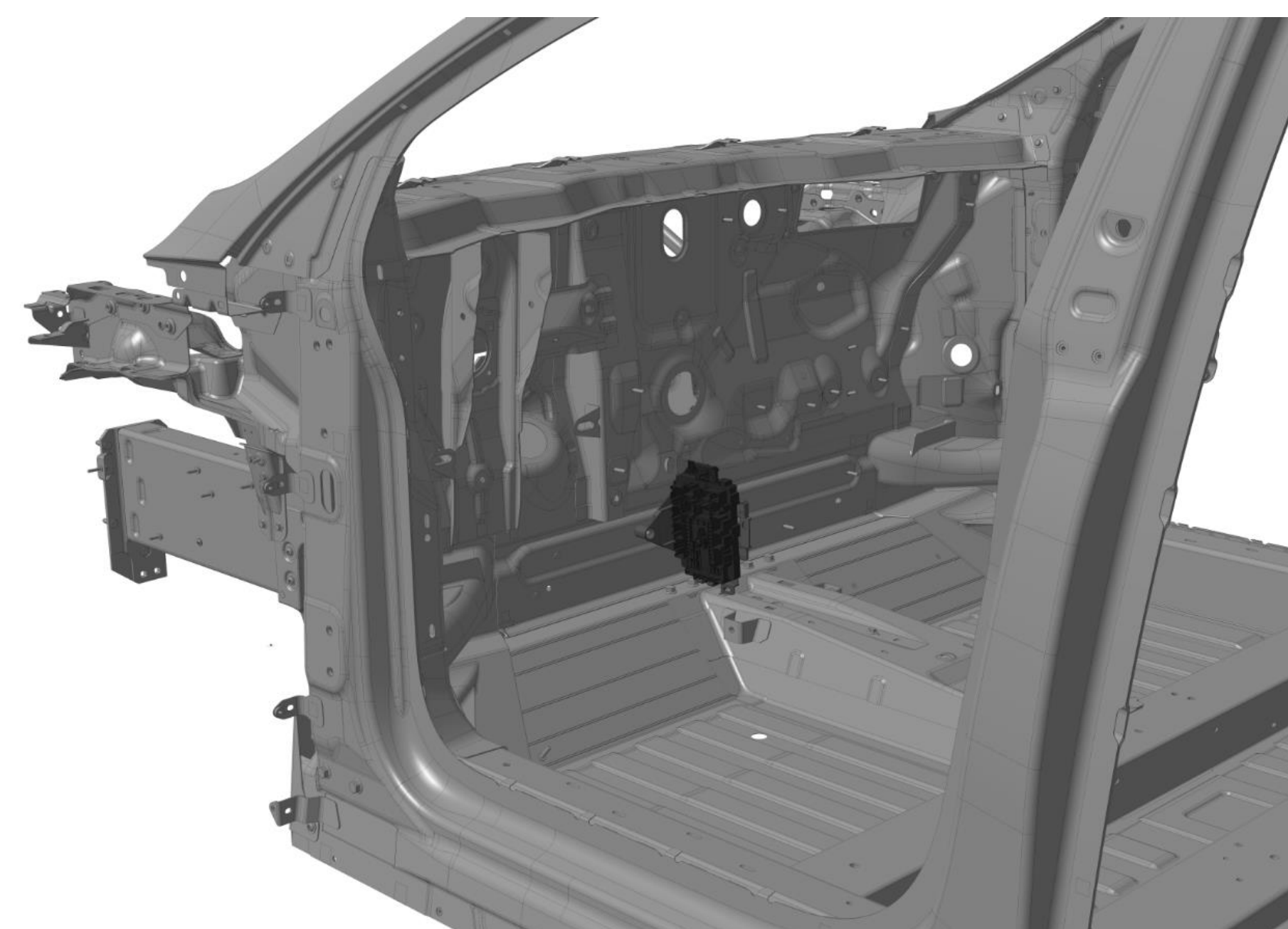
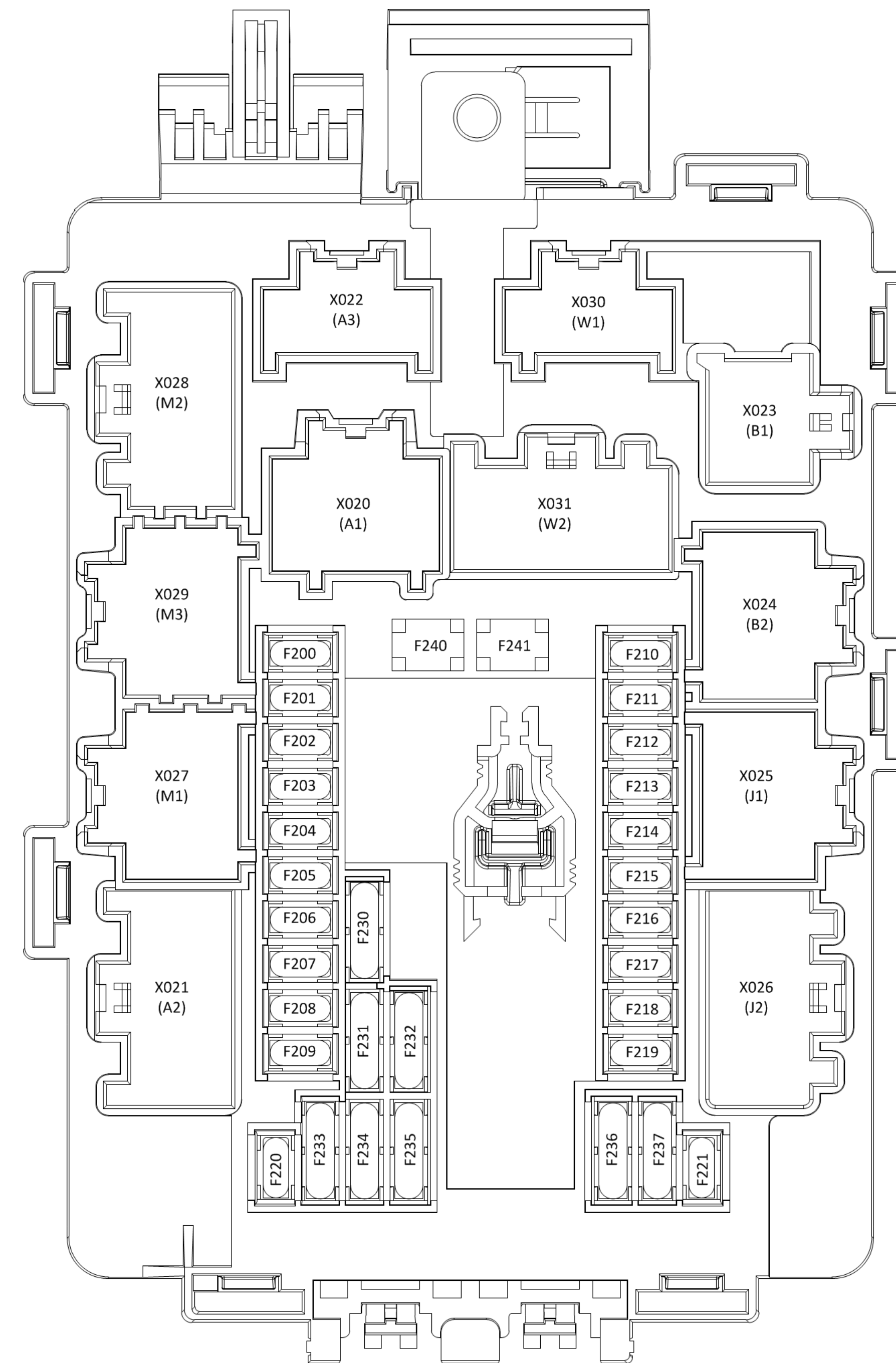
Relay	Type	Function
K100	MICRO280	Cabin Blower, Rear
K101	MICRO280	HVAC Group 1 (F114, F136, F137)
K102	MICRO280	Rear Defrost Grid
K110	ISO	IGN / Drive Power (F107-F110, F130-F132)
K111	ISO	HVAC (F112, F113, F160)
K112	ISO	Air Compressor



NAME	DATE	INTERPRET DIMENSIONS AND TOLERANCES PER ISO 1101, 128, 129	
DRAWN BY	AS SPECIFIED	AS SPECIFIED	
TESLA			
THE INFORMATION CONTAINED HEREIN IS DEEMED TO BE CONFIDENTIAL, PROPRIETARY, AND A TRADE SECRET OF TESLA MOTORS. THIS INFORMATION MAY NOT BE USED, REPRODUCED, OR DISCLOSED AS THE DIRECT OR INDIRECT BASIS FOR THE DEVELOPMENT, MANUFACTURE, OR SALE OF PROCESSES OR PRODUCTS WITHOUT THE EXPRESSED WRITTEN CONSENT OF TESLA MOTORS.			
MATERIAL AS SPECIFIED			
FINISH AS SPECIFIED		EST. WEIGHT (g): TBD	
THIRD ANGLE PROJECTION 	DIMENSIONS ARE IN MILLIMETERS TOLERANCES: ANGULAR ±0.5° OTHER: See above		SHEET SIZE B
			NONE
ITEM NAME Model X Frunk Fuse box – SOP1			
ITEM NUMBER AS SPECIFIED		REVISION 01	SHEET 1 of 1

Fuse	Value	Function
F200	MICRO2 - 5A	Seat Memory
F201	MICRO2 - 25A	Window Motor, LR
F202	MICRO2 - 15A	12V outlet, rear
F203	MICRO2 - 20A	not used
F204	MICRO2 - 25A	Window Motor, RF
F205	MICRO2 - 25A	Window Motor, LF
F206	MICRO2 - 25A	Central Body Controller - Steering Column Adjust
F207	MICRO2 - 15A	USB Hub / Center Console
F208	MICRO2 - 20A	12V Outlet, Center Console
F209	MICRO2 - 15A	Rear View Camera ECU
F210	MICRO2 - 30A	Power Liftgate
F211	MICRO2 - 25A	Window Motor, RR
F212	MICRO2 - 20A	Electric Park Brake - Primary
F213	MICRO2 - 20A	Electric Park Brake - Secondary
F214	MICRO2 - 20A	not used
F215	MICRO2 - 10A	Steering Wheel Heater
F216	MICRO2 - 25A	Rear Body Controls
F217	MICRO2 - 20A	Pemium Audio Amplifier
F218	MICRO2 - 20A	Base Audio Amplifier
F219	MICRO2 - 5A	Diagnostic Port
F220	MICRO2 - 5A	Brake on-off Switch
F221	MICRO2 - 5A	Battery Management System
F230	MICRO3 - 15A	Third Row USB (spare)
F231	MICRO3 - 15A	not used
F232	MICRO3 - 15A	Seat Heater Left Front Seat Heater Right Front
F233	MICRO3 - 15A	Door Latch Left Front Door Latch Right Front
F234	MICRO3 - 15A	Door Controls Left Rear Door Controls Right Rear
F235	MICRO3 - 10A	Charging Systems Center Display
F236	MICRO3 - 5A	SCCM, iBooster IGN ACC Sense, Rear-View Mirror, Radio, TPMS
F237	MICRO3 - 5A	iBooster Instrument Cluster
F240	JCASEM - 30A	Seat Motors, Right Front
F241	JCASEM - 30A	Seat Motors, Left Front

No serviceable relays in Cabin Fuse box



NAME		DATE	INTERPRET DIMENSIONS AND TOLERANCES PER ISO 1101, 128, 129	
DRAWN BY	AS SPECIFIED	AS SPECIFIED		
TESLA				
<small>THE INFORMATION CONTAINED HEREIN IS DEEMED TO BE CONFIDENTIAL, PROPRIETARY, AND A TRADE SECRET OF TESLA MOTORS. THIS INFORMATION MAY NOT BE USED, REPRODUCED, OR DISCLOSED AS THE DIRECT OR INDIRECT BASIS FOR THE DEVELOPMENT, MANUFACTURE, OR SALE OF PROCESSES OR PRODUCTS WITHOUT THE EXPRESSED WRITTEN CONSENT OF TESLA MOTORS.</small>				
MATERIAL AS SPECIFIED				
FINISH AS SPECIFIED			EST. WEIGHT (g): TBD	
THIRD ANGLE PROJECTION		DIMENSIONS ARE IN MILLIMETERS TOLERANCES: ANGULAR ±0.5° OTHER: See above		SHEET SIZE B
ITEM NAME Model X Cabin Fuse box – SOP1				
ITEM NUMBER AS SPECIFIED			REVISION 01	SHEET 1 of 1

1

2

3

4

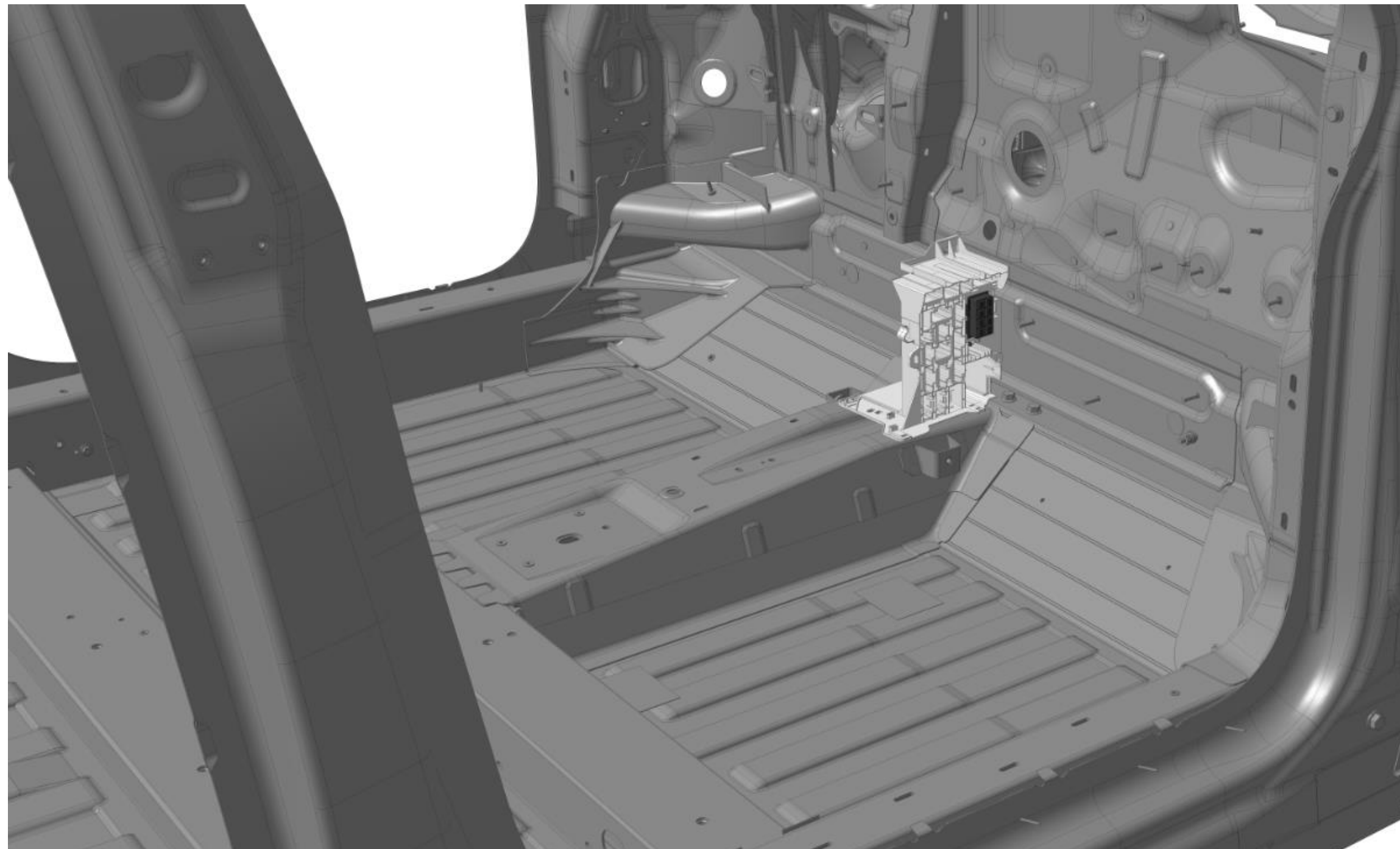
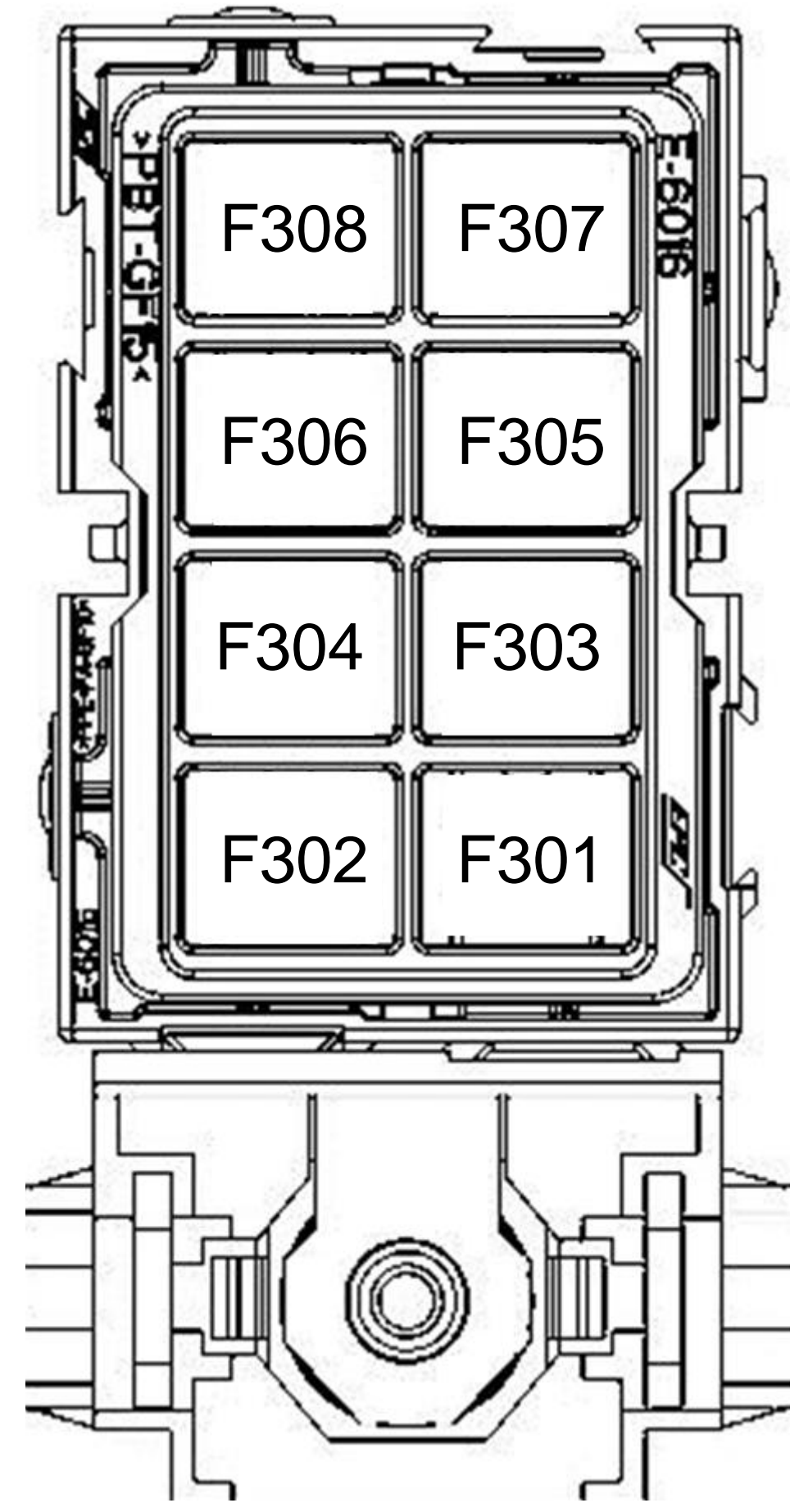
5

6

7

8

Fuse	Value	Function
F301	JCASE - 60A	Left Rear Door Actuators
F302	JCASE - 60A	Right Rear Door Actuators
F303	JCASE - 60A	Right Rear Door Actuators
F304	JCASE - 60A	Left Rear Door Actuators
F305	JCASE - 30A	Second Row Seat Power, Left
F306	JCASE - 30A	Second Row Seat Power, Middle
F307	JCASE - 30A	Second Row Seat Power, Right
F308	JCASE - 30A	Trailer Brakes Power



NAME		DATE	INTERPRET DIMENSIONS AND TOLERANCES PER ISO 1101, 128, 129	
DRAWN BY	AS SPECIFIED	AS SPECIFIED		
TESLA				
THE INFORMATION CONTAINED HEREIN IS DEEMED TO BE CONFIDENTIAL, PROPRIETARY, AND A TRADE SECRET OF TESLA MOTORS. THIS INFORMATION MAY NOT BE USED, REPRODUCED, OR DISCLOSED AS THE DIRECT OR INDIRECT BASIS FOR THE DEVELOPMENT, MANUFACTURE, OR SALE OF PROCESSES OR PRODUCTS WITHOUT THE EXPRESSED WRITTEN CONSENT OF TESLA MOTORS.				
MATERIAL AS SPECIFIED				
FINISH AS SPECIFIED			EST. WEIGHT (g): TBD	
THIRD ANGLE PROJECTION		DIMENSIONS ARE IN MILLIMETERS TOLERANCES: ANGULAR ±0.5° OTHER: See above		SHEET SIZE B
ITEM NAME Model X Aux Fuse box – SOP1				
ITEM NUMBER AS SPECIFIED			REVISION 01	SHEET 1 of 1

1

2

3

4

5

6

7

8