

Page	Description
1	Table of Contents and Legend
2	12V Outlets / USB Power
3	Air Suspension
4	Audio, Base & Premium 1/2 - MCU
5	Audio, Base & Premium 2/2 - Booster
6	CAN - BFT
7	CAN - Body
8	CAN - Chassis
9	CAN - Falcon Sensing
10	CAN - Powertrain
11	CAN - Thermal
12	Chassis (Braking and Stability) 1/2 - Braking and Stability
13	Chassis (Braking and Stability) 2/2 - Brake Switch, Park Brake
14	Diagnostics
15	Door Controls - Front Actuators
16	Door Controls - Front Left Side
17	Door Controls - Rear Left Side 1/2
18	Door Controls - Rear Left Side 2/2
19	Door Controls - Front Right Side
20	Door Controls - Rear Right Side 1/2
21	Door Controls - Rear Right Side 2/2
22	Drive Inverter
23	Driver Assistance 1 - AutoPilot ECU, Mono Cam
24	Energy System - Charger Logic Connection
25	Exterior Illumination Front
26	Exterior Illumination Rear
27	Falcon Doors 1/5- Left Struts
28	Falcon Doors 2/5- Right Struts
29	Falcon Doors 3/5- Capacitive Sensors
30	Falcon Doors 4/5- Pinch Sensors
31	Falcon Doors 5/5- Ultrasonic Sensors
32	Front Seat Interface - LHS
33	Front Seats - Internal Wiring
34	Front Seat Interface - RHS
35	Grounding - A-Pillars
36	Grounding - Frunk
37	Grounding - IP and Center 1/2 - IP
38	Grounding - IP and Center 2/2 - Center
39	Grounding - Rear Doors
40	Grounding - Rear
41	Hatch Front Actuators/Sensors
42	Hatch Rear Actuators/Sensors
43	High Voltage Interlock (HVIL)
44	Horn and Passive Entry / Security
45	HVAC - Cabin Climate and Rear Defrost
46	HVAC - Cabin Climate and Rear Defrost
47	HVAC - Powertrain Cooling - Components
48	HVAC - Powertrain Cooling - Coolant Cycle
49	Instrument Cluster / LIN
50	Interior Illumination Maplights
51	Mirrors - Center and Side
52	Parking Aids
53	Passive Restraints - IP and Front
54	Passive Restraints 1/2
55	Passive Restraints 2/2
56	Auxiliary Fuse Box
57	Cabin BEC 1/3
58	Cabin BEC 2/3
59	Cabin BEC 3/3
60	Pre-Fuse Box
61	Frunk BEC 1/2
62	Frunk BEC 2/2
63	Rear Seat Interface
64	Rear Seat Internal Wiring 2nd Row
65	Rear Seat Internal Wiring 3rd Row
66	RF Cables
67	Steering Wheel Controls / Power Steering
68	Trailer Systems
69	Wiper / Washer and Rain Sensor
70	Wiper / Washer and Rain Sensor
71	Frunk Fusebox Layout
72	Cabin Fusebox Layout
73	Auxiliary Fusebox Layout

Table 1: Abbreviations

LF	Left Front	RF	Right Front
LR	Left Rear	RR	Right Rear
LHS	Left-Hand Side	RHS	Right-Hand Side

Table 2: Harness Designators

C	Center Console	RO	RL Door Strut Harness
D	LF Door Harness	RT	RL Door Trim Harness
DT	LF Door Trim Harness	RU	RL Upper Door Harness
F	Front Fascia Harness	SL	RR Lower Door Harness
G	Rear Fascia Harness	SO	RR Door Strut Harness
H	Instrument Panel Harness	ST	RR Door Trim Harness
J	Main Body Harness	SU	RR Upper Door Harness
K	Headliner	T	Tailgate Harness
L	Front End Module	V	Overhead Console Harness
P	RF Door Harness	W	Frunk Harness
PT	RF Door Trim Harness	X	Rear Subframe Harness
RL	LR Lower Door Harness		

Table 3: Wire Color Designators

BK	Black	OG	Orange
BN	Brown	RD	Red
BU	Blue	VT	Violet (Purple)
GN	Green	WH	White
GY	Gray	YE	Yellow

Striped wires are indicated by base-color code "/" then stripe color code.

"BK/WH" indicates a black wire with a white stripe.

Table 4: Wire Type Designators

FLRY	Thin wall 105C rated, regular stranded PVC insulates cables [FLRY-A]
FLRB	Thin wall 105C rated, bunched conductor PVC insulates cables [FLRY-B]
MCIV	Thin wall 105C rated, compressed conductor PVC (halogen free) insulated cables
XR15	Thin wall 150C rated, cross-linked polyolefin, high flexible cable

General Notes:

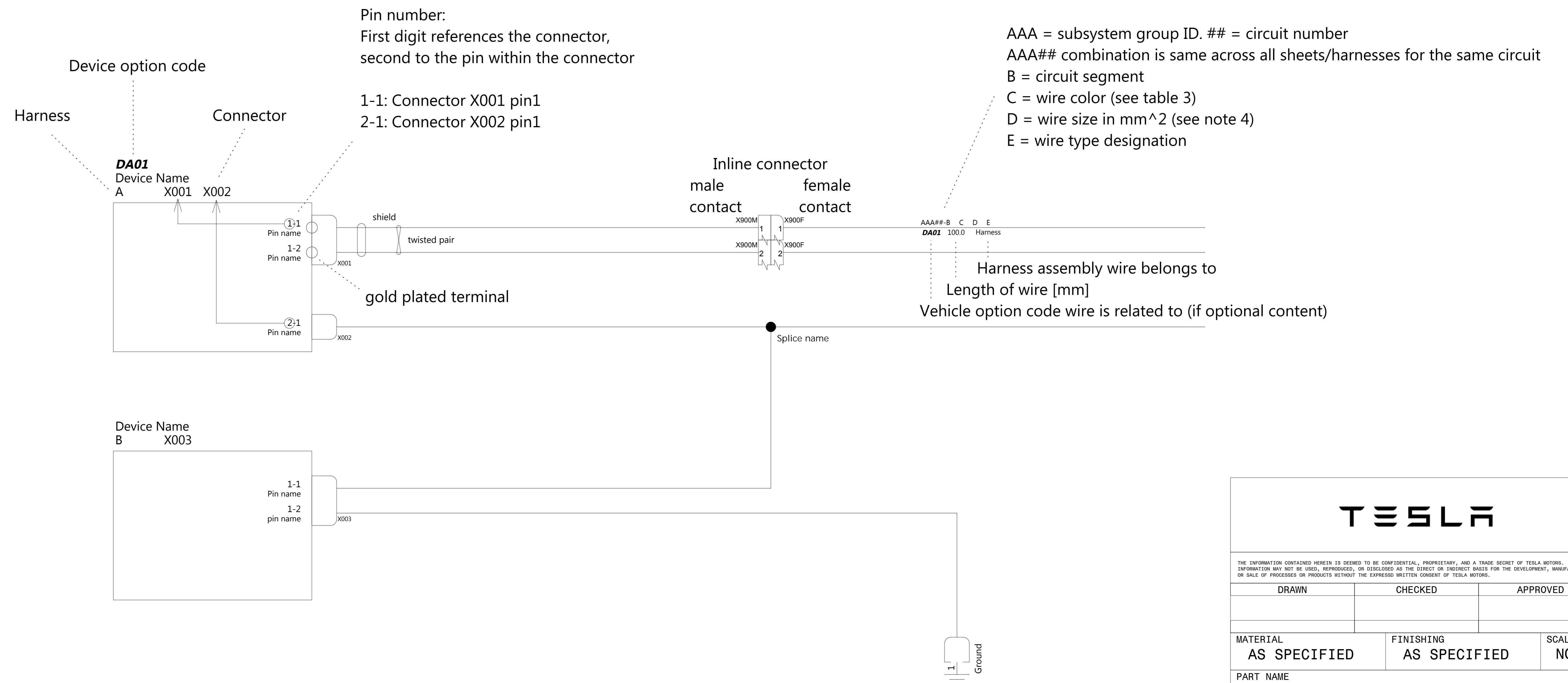
- Switches [Relays] are shown in their inactive [de-energized] state.
- Splices may be split across pages for visual clarity with respect to the function displayed on the particular page.
- Some connectors are split across multiple pages for clarity.  
There is no overall reference in this document for the signals routed to a specific connector.
- Wire sizes are specified in mm<sup>2</sup> cross-sectional area (CSA) per SAE 1127/8
- Wire Specification: 60V, thin-wall PVC (ISO type or equivalent).  
Default wire type to be rated 60VDC/25VAC and -40C to 105C operating temperature.  
See DIN 13602 or ISO 6722 for detailed specifications.

- Unless otherwise specified at the device pins, terminal plating is to be Tin or Pre-Tin

**TERMINAL PLATING**

- GOLD TERMINAL NECESSARY
- SILVER PLATING NECESSARY

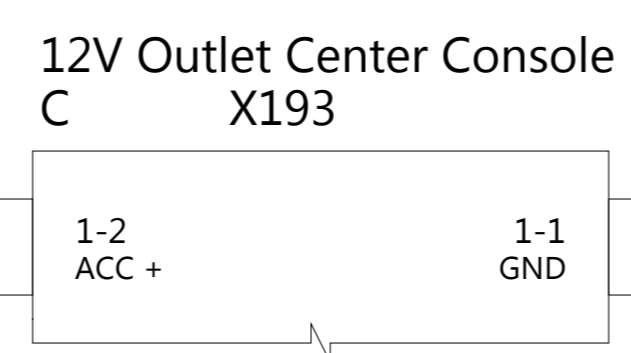
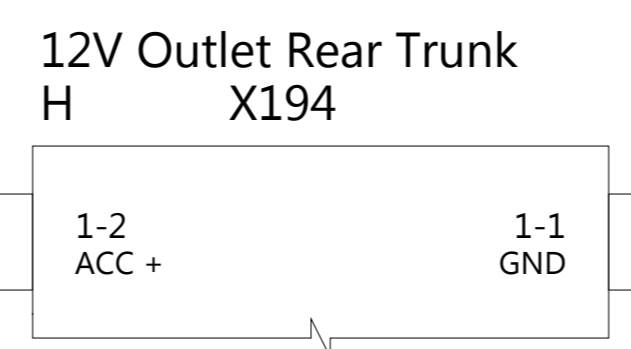
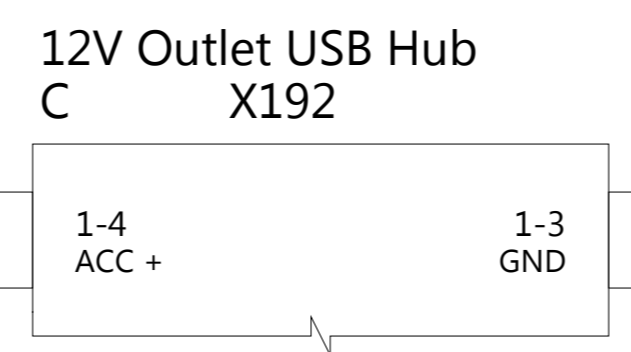
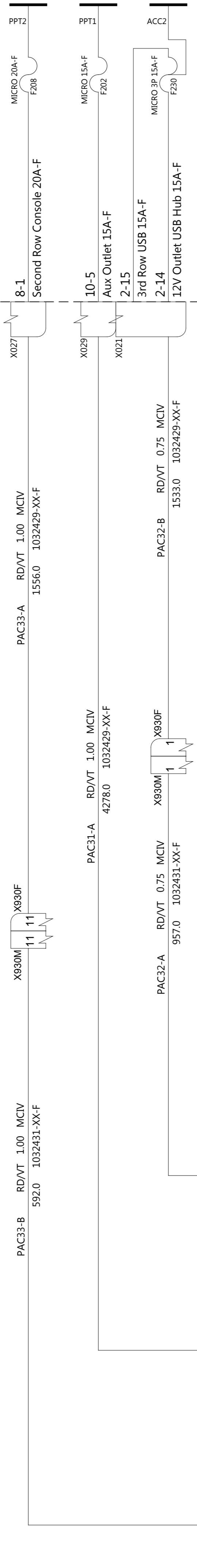
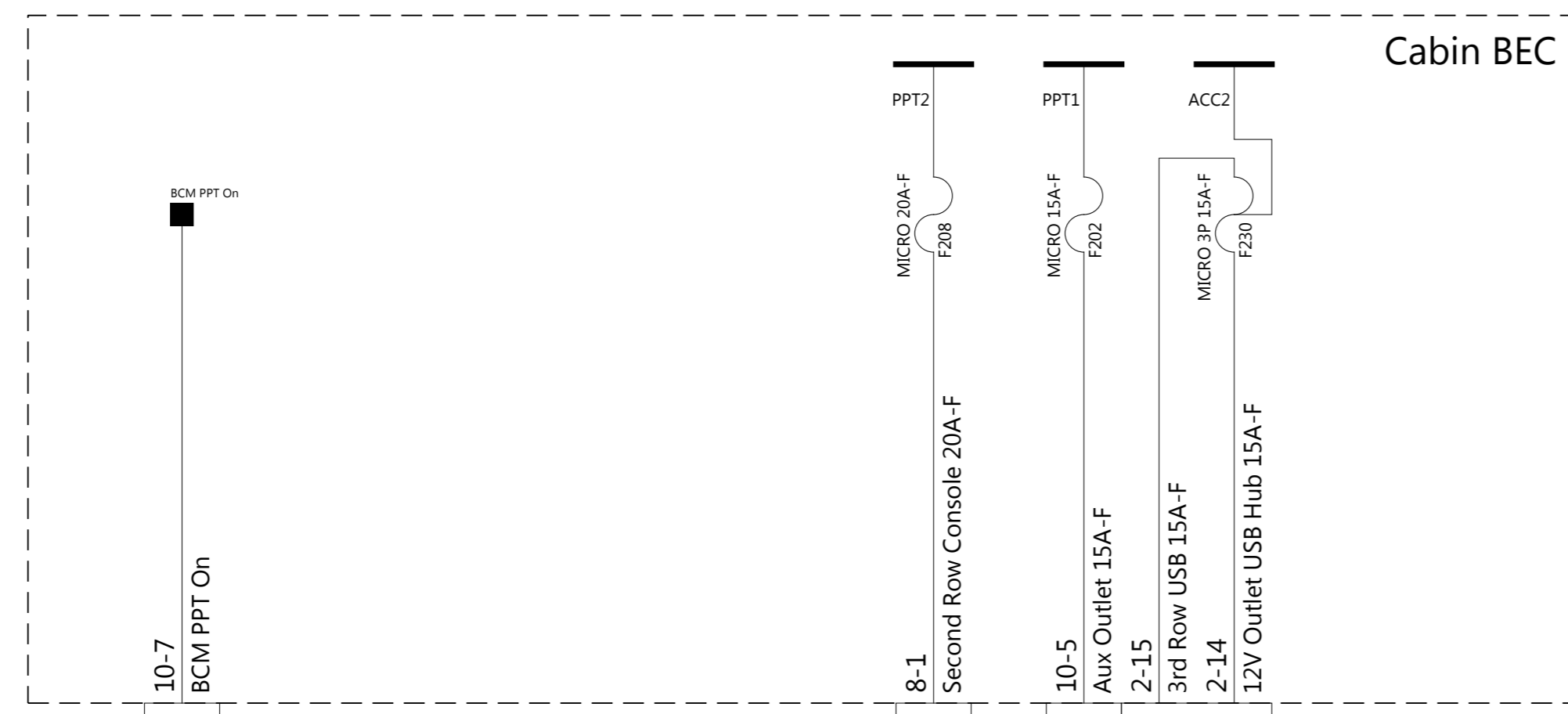
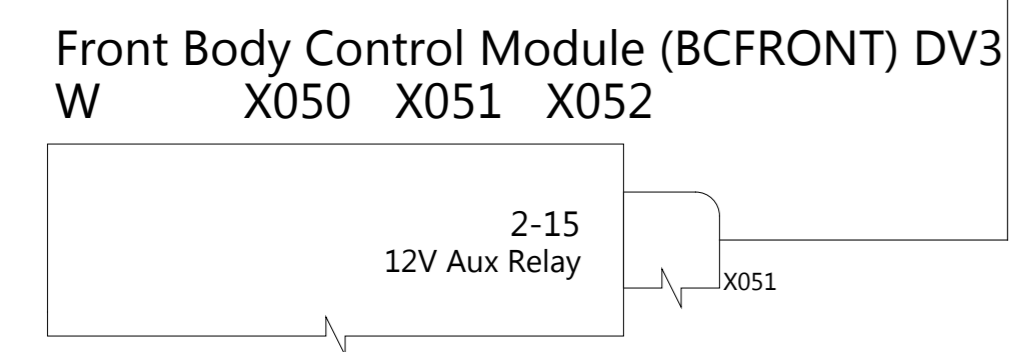
- Inline connector gender specification is based on the terminal type.  
Inline connectors with "M" suffix have male, tab or pin terminals  
Inline connectors with "F" suffix have female, receptacle or socket terminals



**TESLA**

THE INFORMATION CONTAINED HEREIN IS DEEMED TO BE CONFIDENTIAL, PROPRIETARY, AND A TRADE SECRET OF TESLA MOTORS. THIS INFORMATION MAY NOT BE USED, REPRODUCED, OR DISCLOSED AS THE DIRECT OR INDIRECT BASIS FOR THE DEVELOPMENT, MANUFACTURE, OR SALE OF PROCESSES OR PRODUCTS WITHOUT THE EXPRESSED WRITTEN CONSENT OF TESLA MOTORS.

DRAWN	CHECKED	APPROVED
MATERIAL AS SPECIFIED	FINISHING AS SPECIFIED	SCALE NONE
PART NAME Table of Contents - Model X GLVL		
PART NUMBER	REV	SHEET
	2	1 OF 1
		SIZE
		A0



Ground LR 1

Ground Center 1

**TESLA**

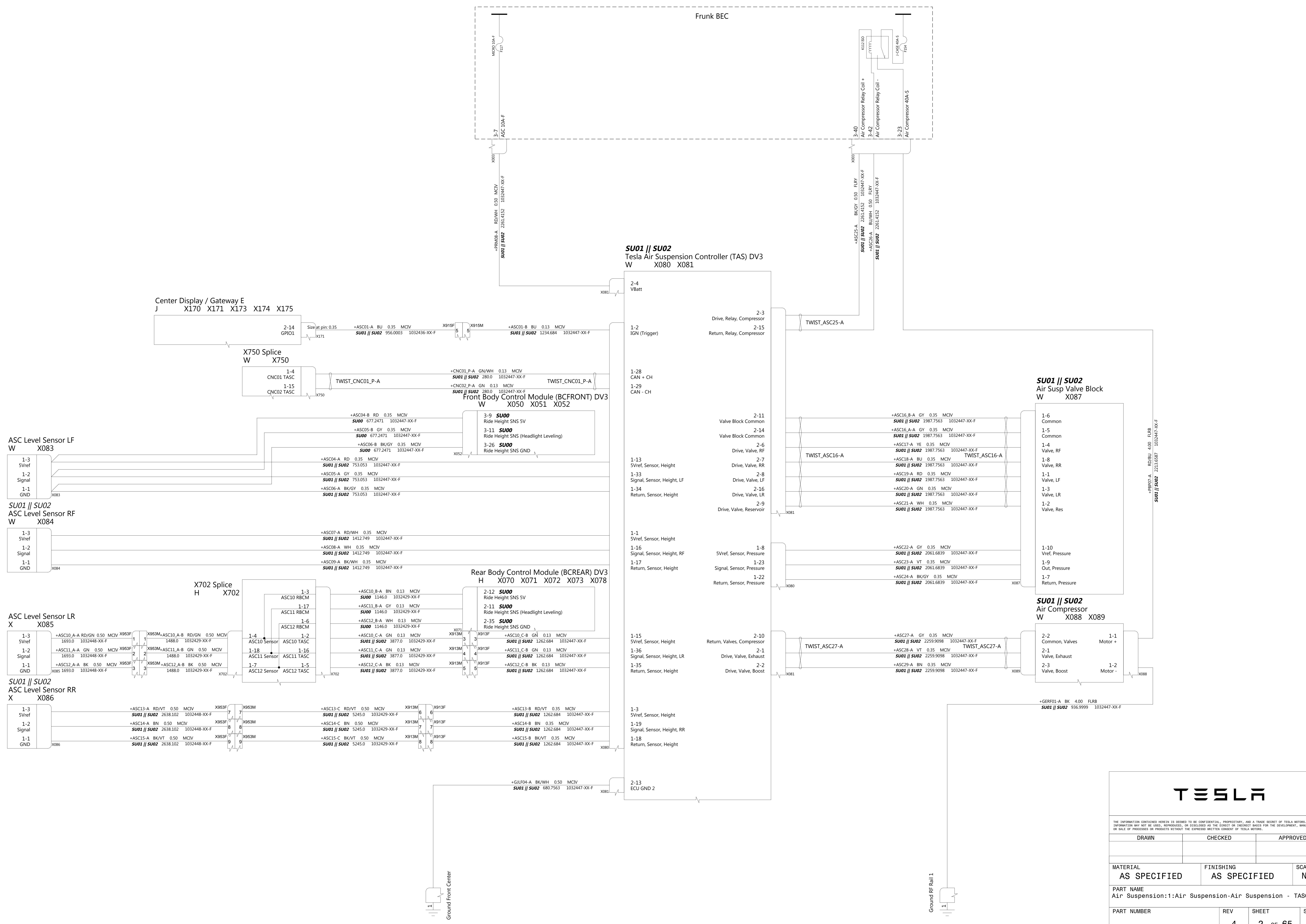
THE INFORMATION CONTAINED HEREIN IS DEEMED TO BE CONFIDENTIAL, PROPRIETARY, AND A TRADE SECRET OF TESLA MOTORS. THIS INFORMATION MAY NOT BE USED, REPRODUCED, OR DISCLOSED AS THE DIRECT OR INDIRECT BASIS FOR THE DEVELOPMENT, MANUFACTURE, OR SALE OF PROCESSES OR PRODUCTS WITHOUT THE EXPRESSED WRITTEN CONSENT OF TESLA MOTORS.

DRAWN	CHECKED	APPROVED
-------	---------	----------

MATERIAL AS SPECIFIED	FINISHING AS SPECIFIED	SCALE NONE
--------------------------	---------------------------	---------------

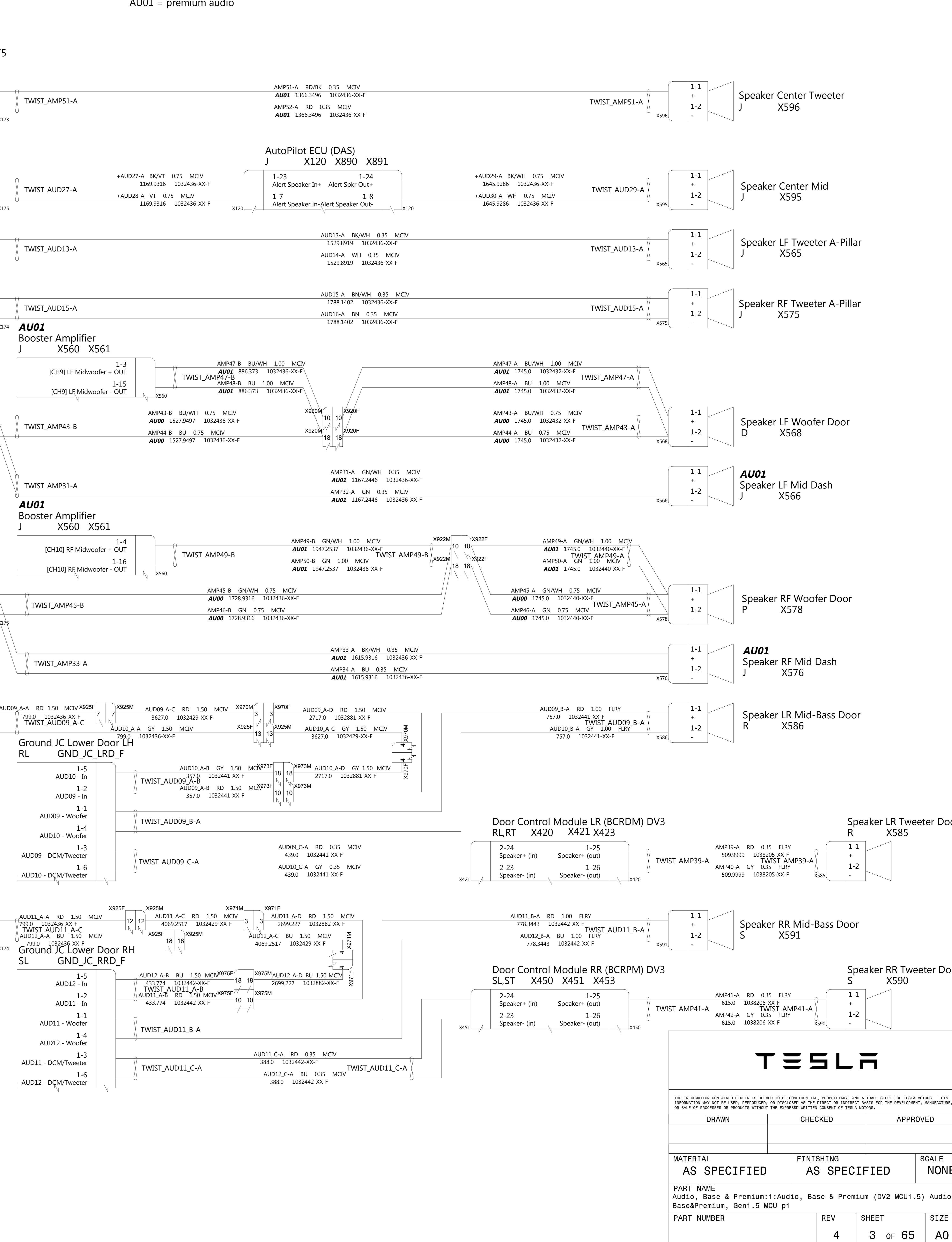
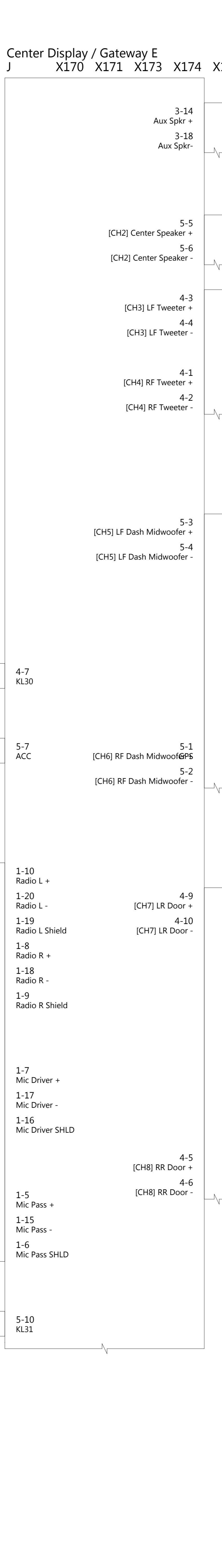
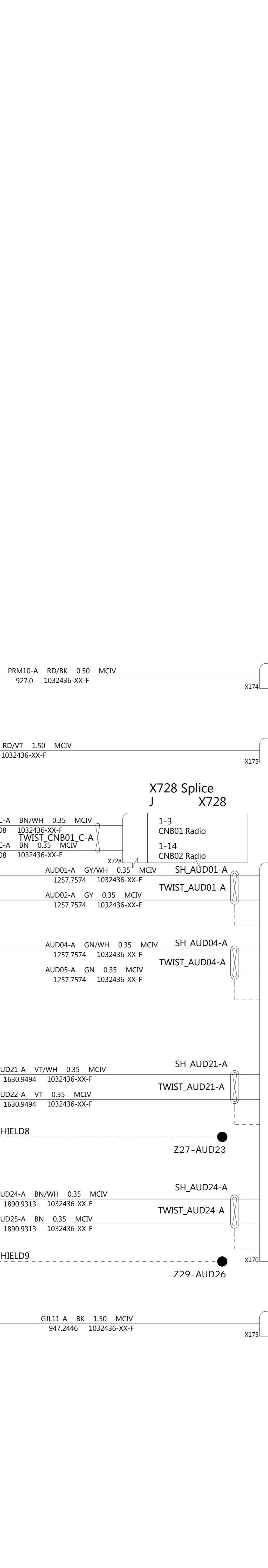
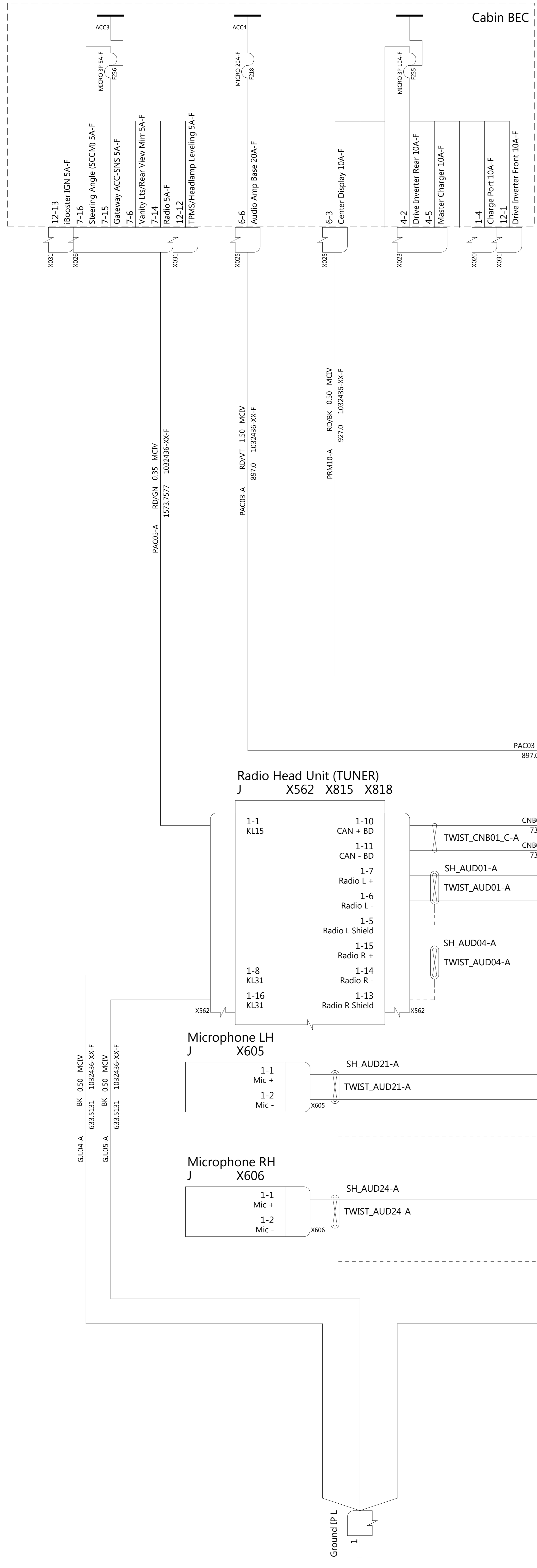
PART NAME  
**12V Outlets:1:12V Outlets-12V Outlets**

PART NUMBER	REV	SHEET	SIZE
	4	1 OF 65	A0

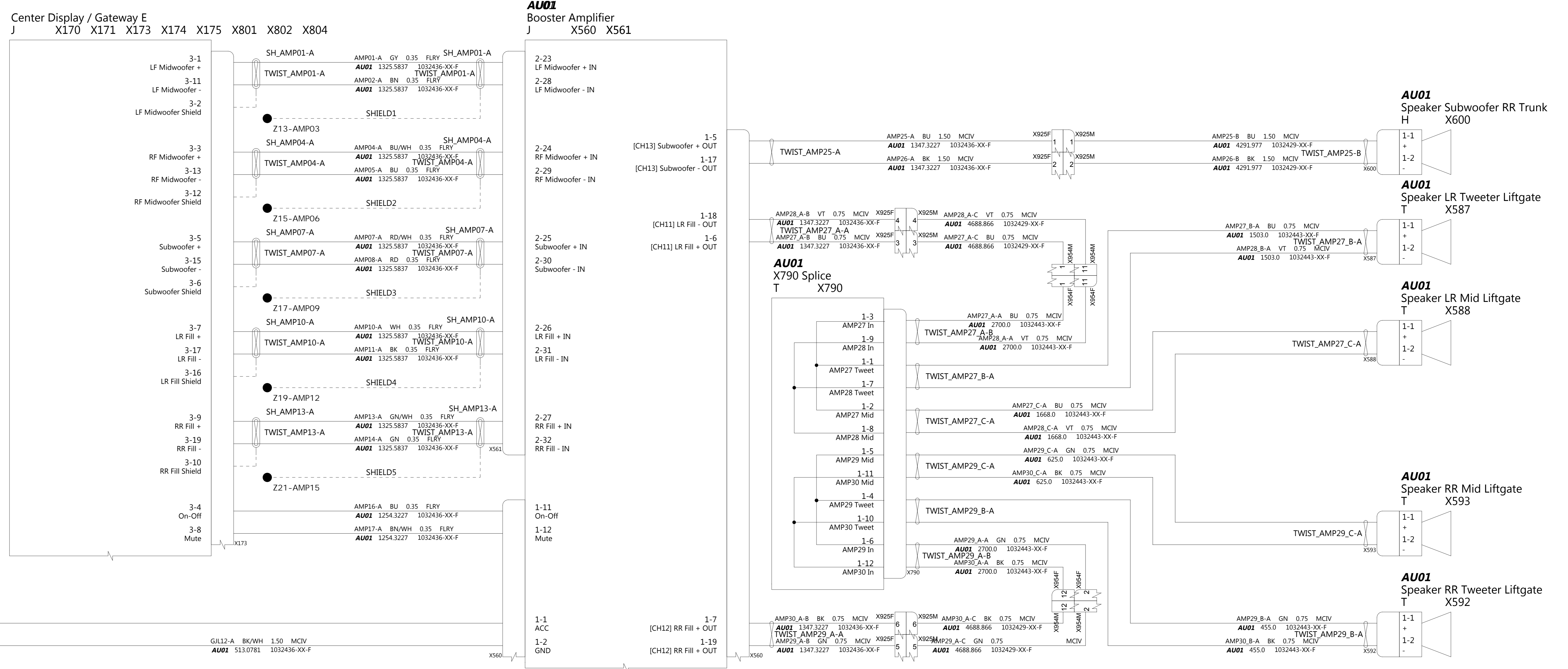
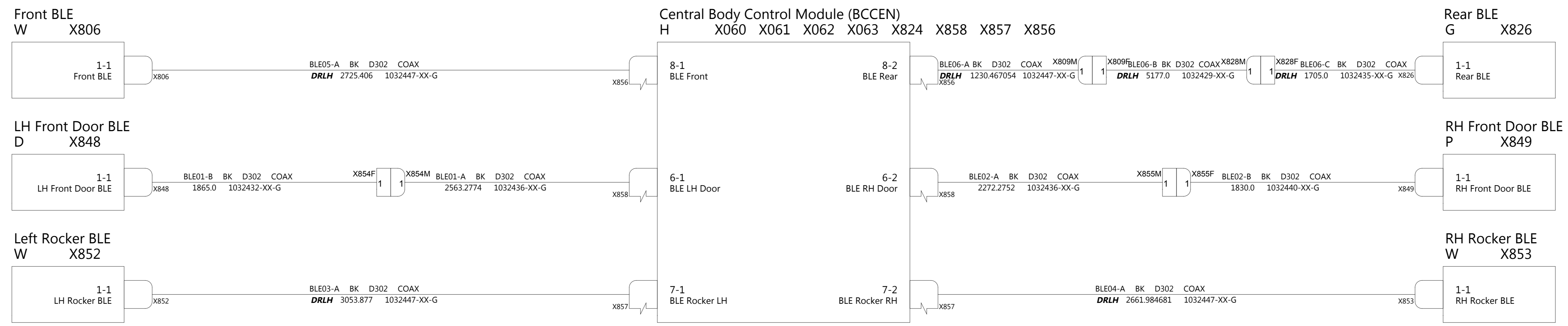
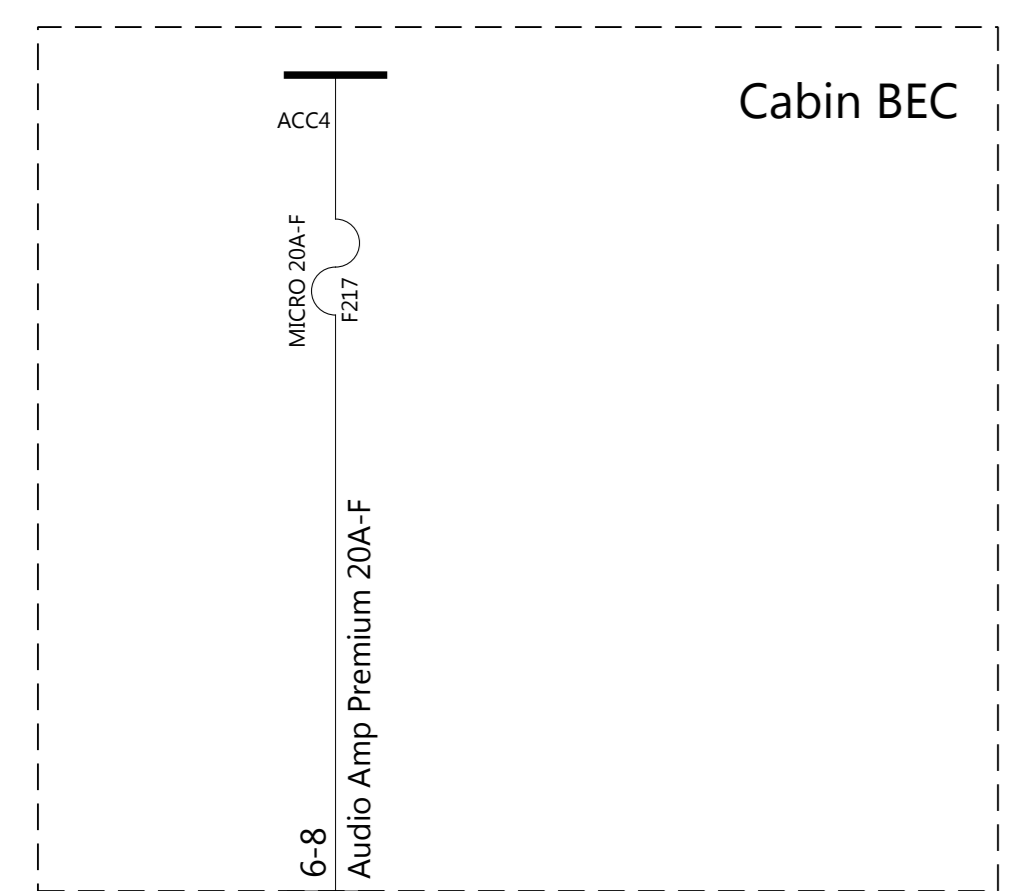


THE INFORMATION CONTAINED HEREIN IS DEEMED TO BE CONFIDENTIAL, PROPRIETARY, AND A TRADE SECRET OF TESLA MOTORS. THIS INFORMATION MAY NOT BE USED, REPRODUCED, OR DISCLOSED AS THE DIRECT OR INDIRECT BASIS FOR THE DEVELOPMENT, MANUFACTURE, OR SALE OF PROCESSES OR PRODUCTS WITHOUT THE EXPRESSED WRITTEN CONSENT OF TESLA MOTORS.

DRAWN	CHECKED	APPROVED
MATERIAL AS SPECIFIED	FINISHING AS SPECIFIED	SCALE NONE
PART NAME Air Suspension:1:Air Suspension-Air Suspension - TASC DV3		
PART NUMBER	REV	SHEET
	4	2 OF 65
		SIZE A0



<b>TESLA</b>			
THE INFORMATION CONTAINED HEREIN IS DEEMED TO BE CONFIDENTIAL, PROPRIETARY, AND A TRADE SECRET OF TESLA MOTORS. THIS INFORMATION MAY NOT BE USED, REPRODUCED, OR DISCLOSED AS THE DIRECT OR INDIRECT BASIS FOR THE DEVELOPMENT, MANUFACTURE, OR SALE OF PROCESSES OR PRODUCTS WITHOUT THE EXPRESSED WRITTEN CONSENT OF TESLA MOTORS.			
DRAWN	CHECKED	APPROVED	
MATERIAL AS SPECIFIED	FINISHING AS SPECIFIED	SCALE NONE	
PART NAME Audio, Base & Premium:::Audio, Base & Premium (DV2 MCU1.5)-Audio, Base&Premium, Gen1.5 MCU p1			
PART NUMBER	REV 4	SHEET 3 OF 65	SIZE A0



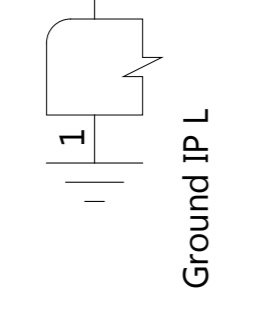
THE INFORMATION CONTAINED HEREIN IS DEEMED TO BE CONFIDENTIAL, PROPRIETARY, AND A TRADE SECRET OF TESLA MOTORS. THIS INFORMATION MAY NOT BE USED, REPRODUCED, OR DISCLOSED AS THE DIRECT OR INDIRECT BASIS FOR THE DEVELOPMENT, MANUFACTURE, OR SALE OF PRODUCTS OR PRODUCTS WITHOUT THE EXPRESS WRITTEN CONSENT OF TESLA MOTORS.

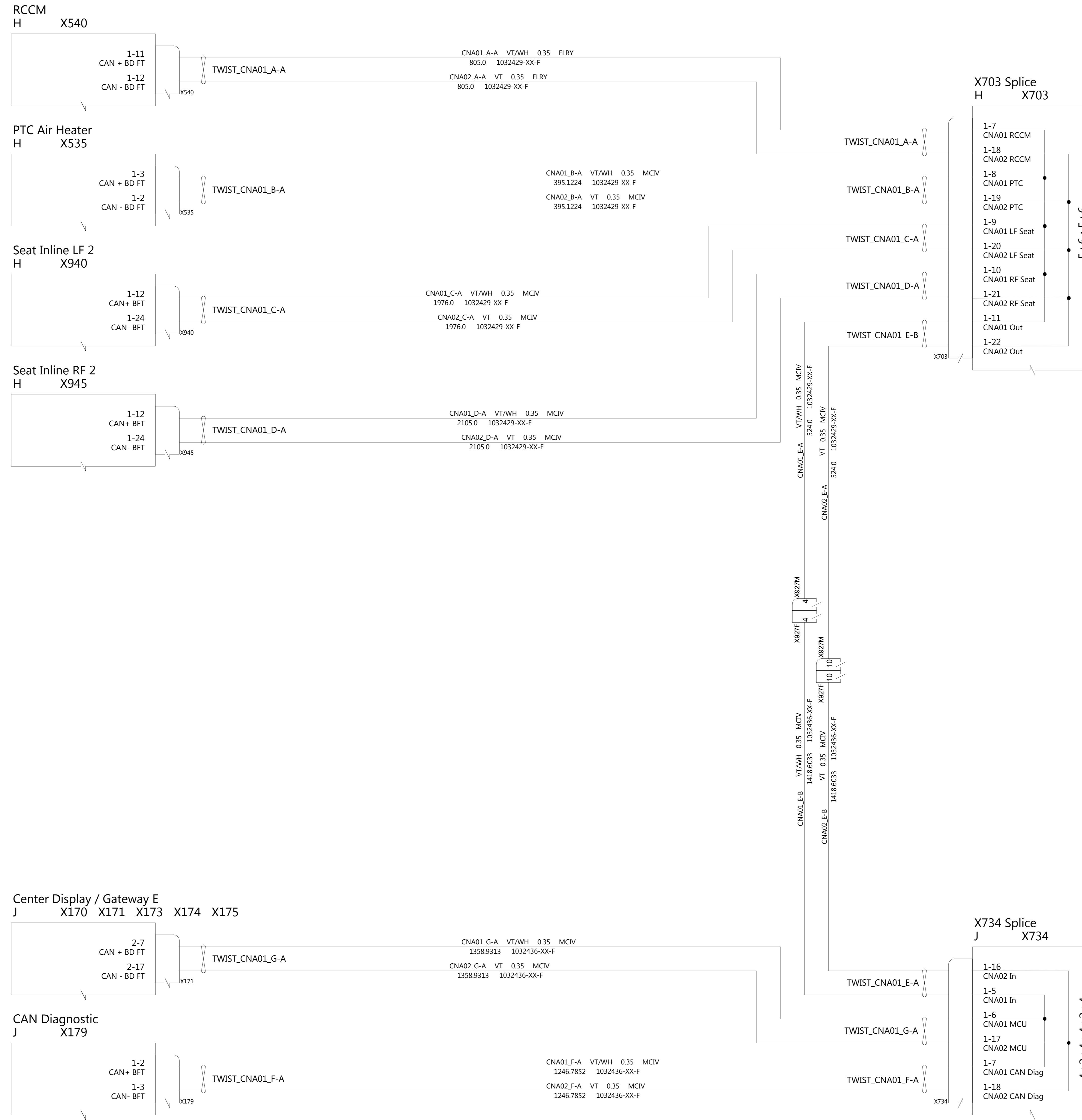
DRAWN	CHECKED	APPROVED
-------	---------	----------

MATERIAL AS SPECIFIED	FINISHING AS SPECIFIED	SCALE NONE
-----------------------	------------------------	------------

PART NAME  
Audio, Base & Premium:1:Audio, Base & Premium (DV2 MCU1.5)-Audio, Base&Premium, Gen1.5 MCU p2

PART NUMBER	REV	SHEET	SIZE
	4	4 OF 65	A0



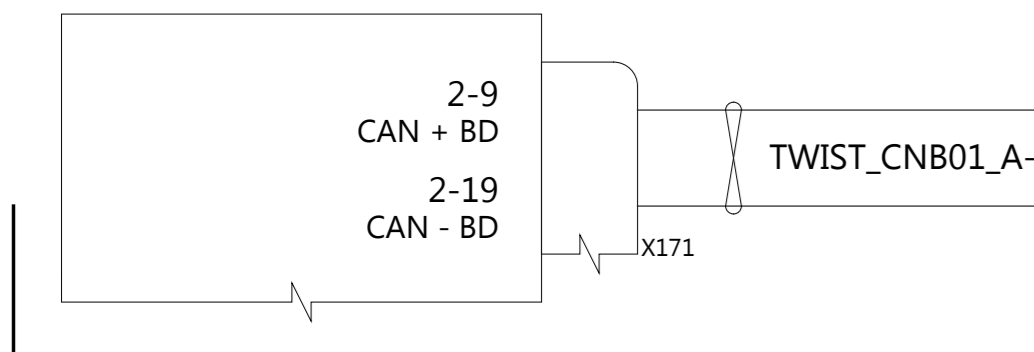


**TESLA**

THE INFORMATION CONTAINED HEREIN IS DEEMED TO BE CONFIDENTIAL, PROPRIETARY, AND A TRADE SECRET OF TESLA MOTORS. THIS INFORMATION MAY NOT BE USED, REPRODUCED, OR DISCLOSED AS THE DIRECT OR INDIRECT BASIS FOR THE DEVELOPMENT, MANUFACTURE, OR SALE OF PROCESSES OR PRODUCTS WITHOUT THE EXPRESSED WRITTEN CONSENT OF TESLA MOTORS.

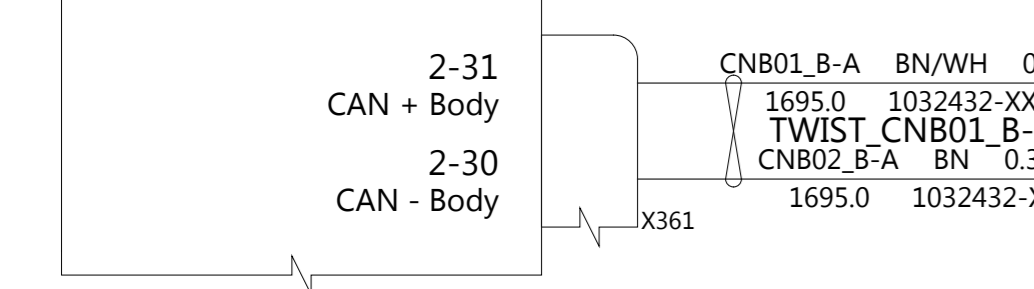
DRAWN	CHECKED	APPROVED
MATERIAL AS SPECIFIED	FINISHING AS SPECIFIED	SCALE NONE
PART NAME CAN Body FT:1:Body Fault Tolerant CAN Network - Rev2 Updated CAN-CAN Body FT (MCU1.5)		
PART NUMBER	REV 4	SHEET 5 OF 65
		SIZE A0

**Center Display / Gateway E**  
**J X170 X171 X173 X174 X175**

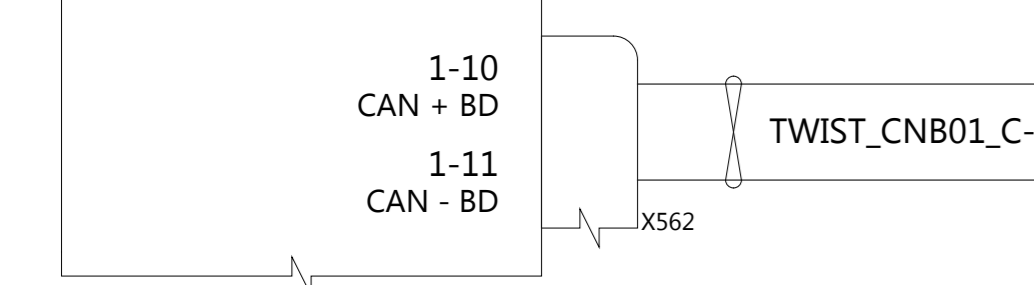


**Termination**

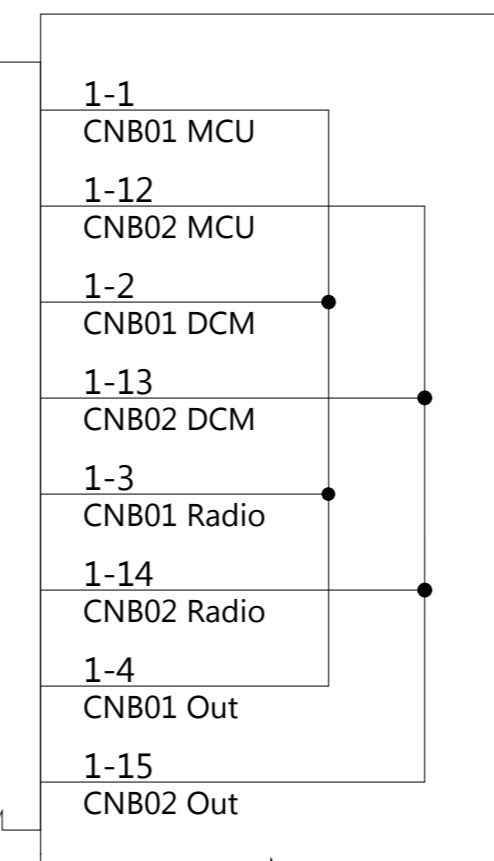
**Door Control Module LF (BCFDM) DV3**  
**D X360 X361 X362 X363**



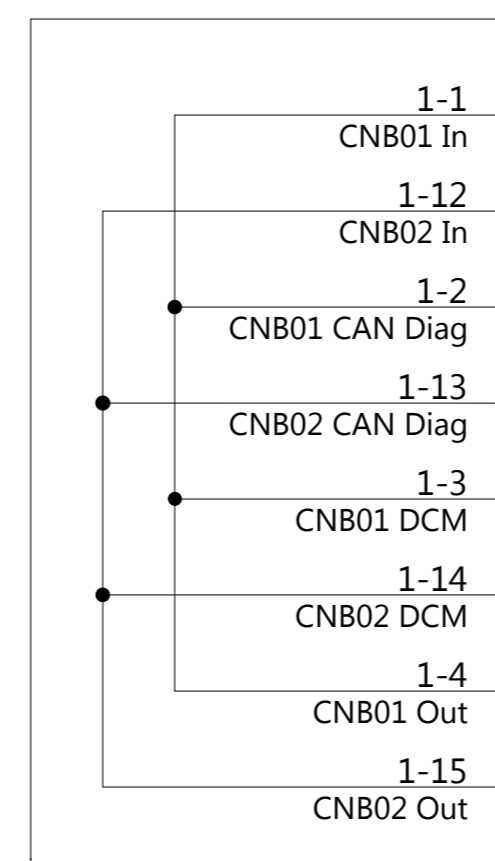
**Radio Head Unit (TUNER) J**  
**X562**



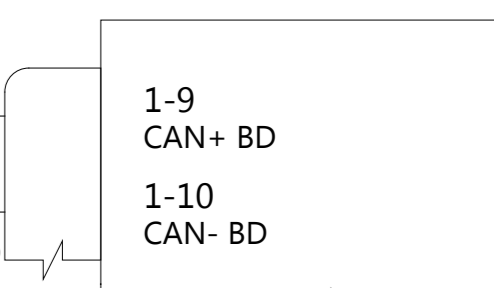
**X728 Splice J**  
**X728**



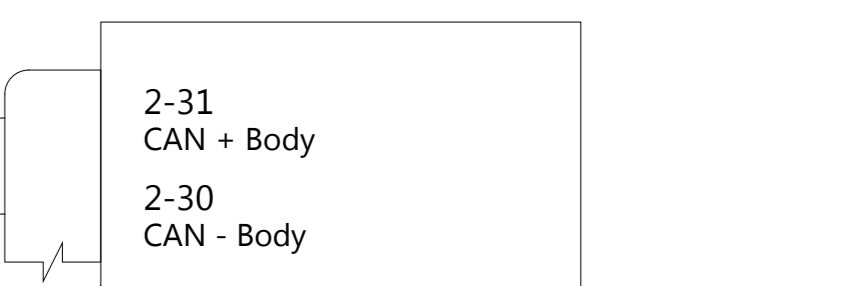
**X734 Splice J**  
**X734**



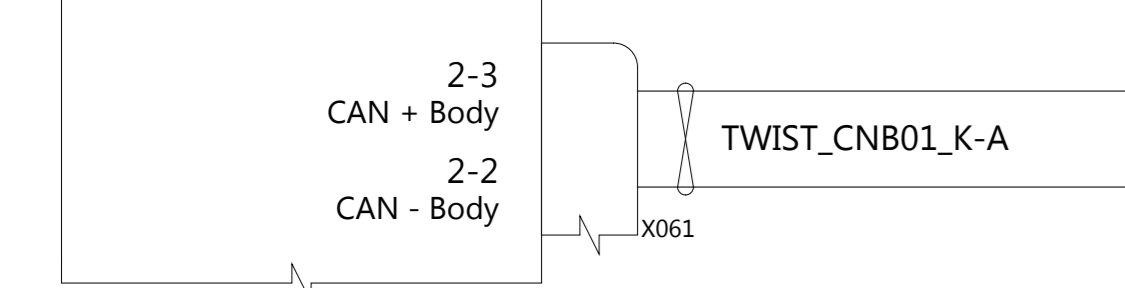
**CAN Diagnostic J**  
**X179**



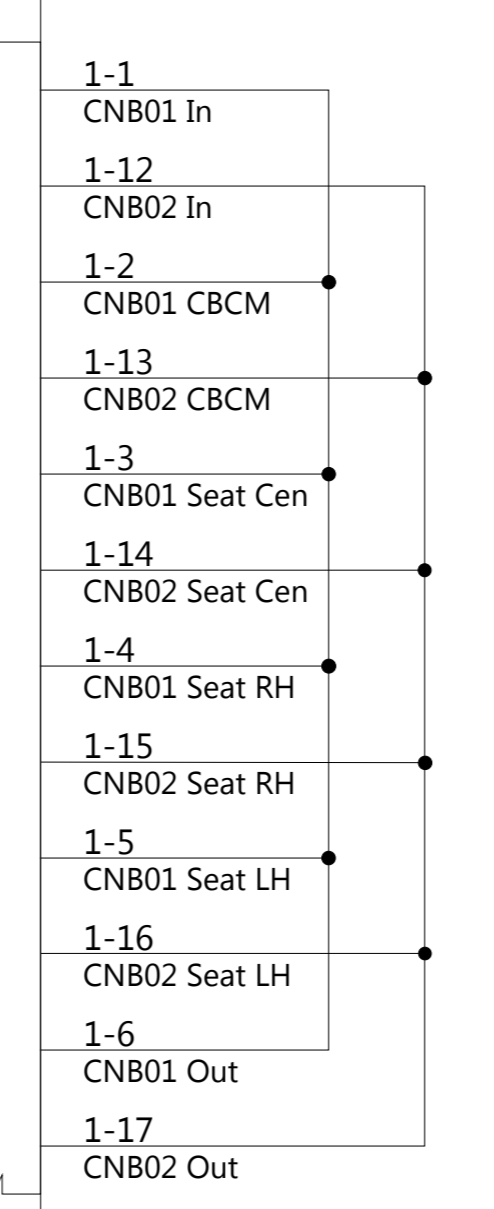
**Door Control Module RF (BCFPM) DV3**  
**P X390 X391 X392 X393**



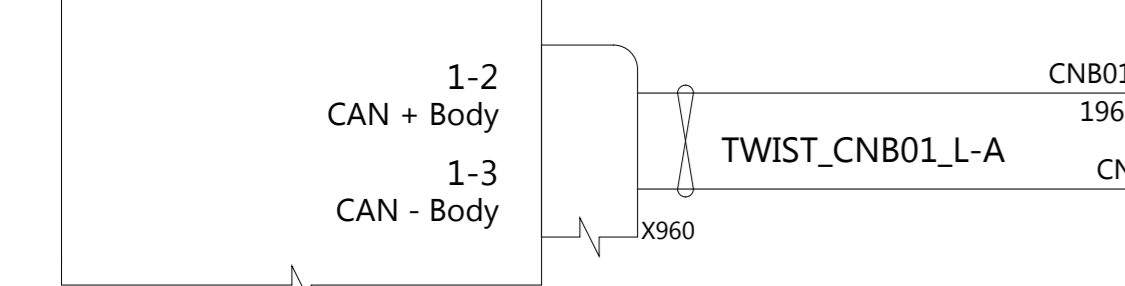
**Central Body Control Module (BCCEN) DV3**  
**H X060 X061 X062 X063 X824 X858**



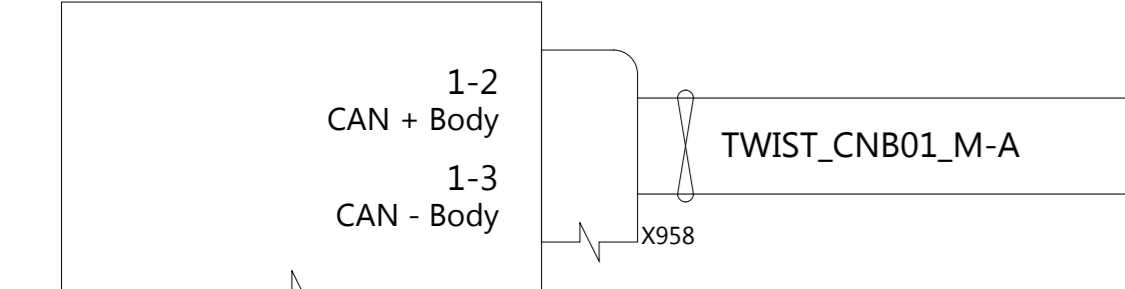
**X708 Splice H**  
**X708**



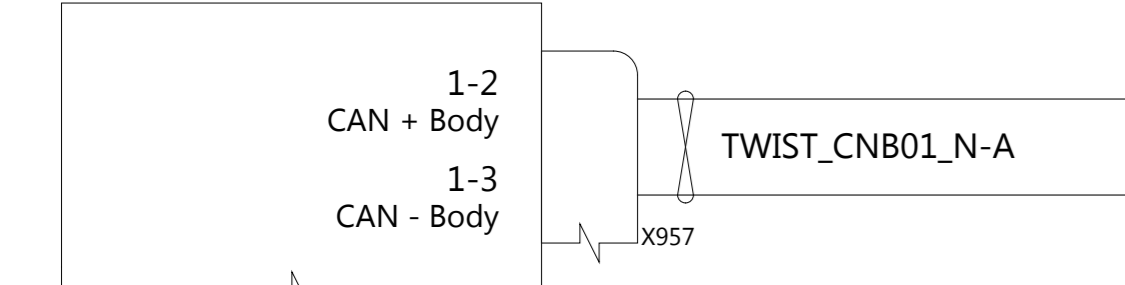
**Seat 2nd Row CEN H**  
**X960**



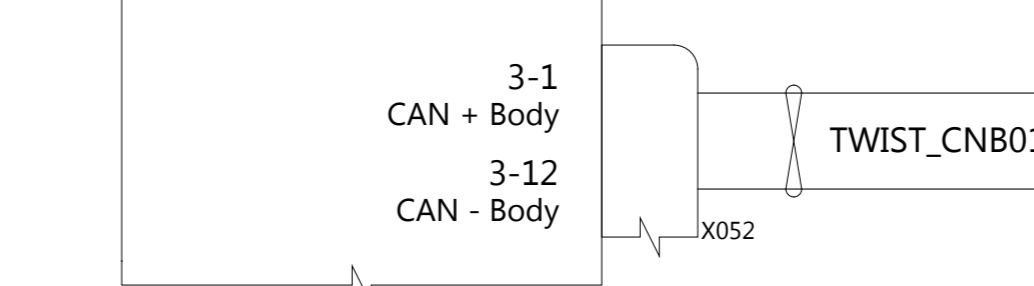
**Seat 2nd Row RH H**  
**X958**



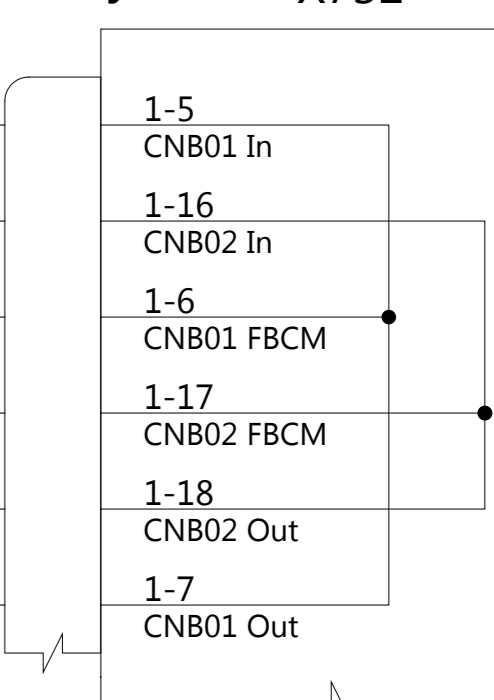
**Seat 2nd Row LH H**  
**X957**



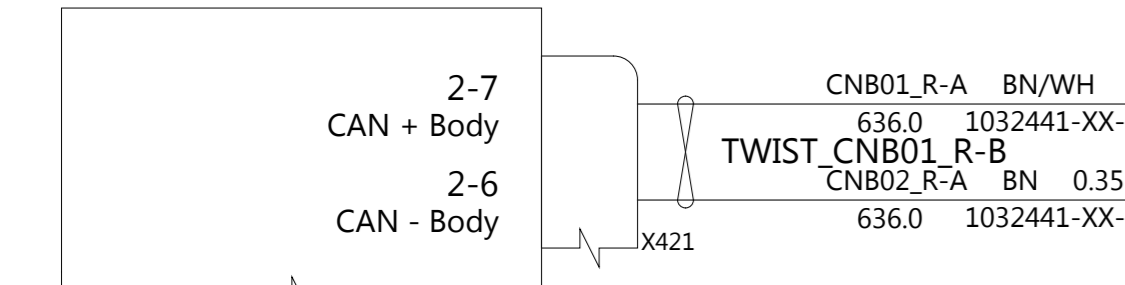
**Front Body Control Module (BCFRONT) DV3**  
**W X050 X051 X052**



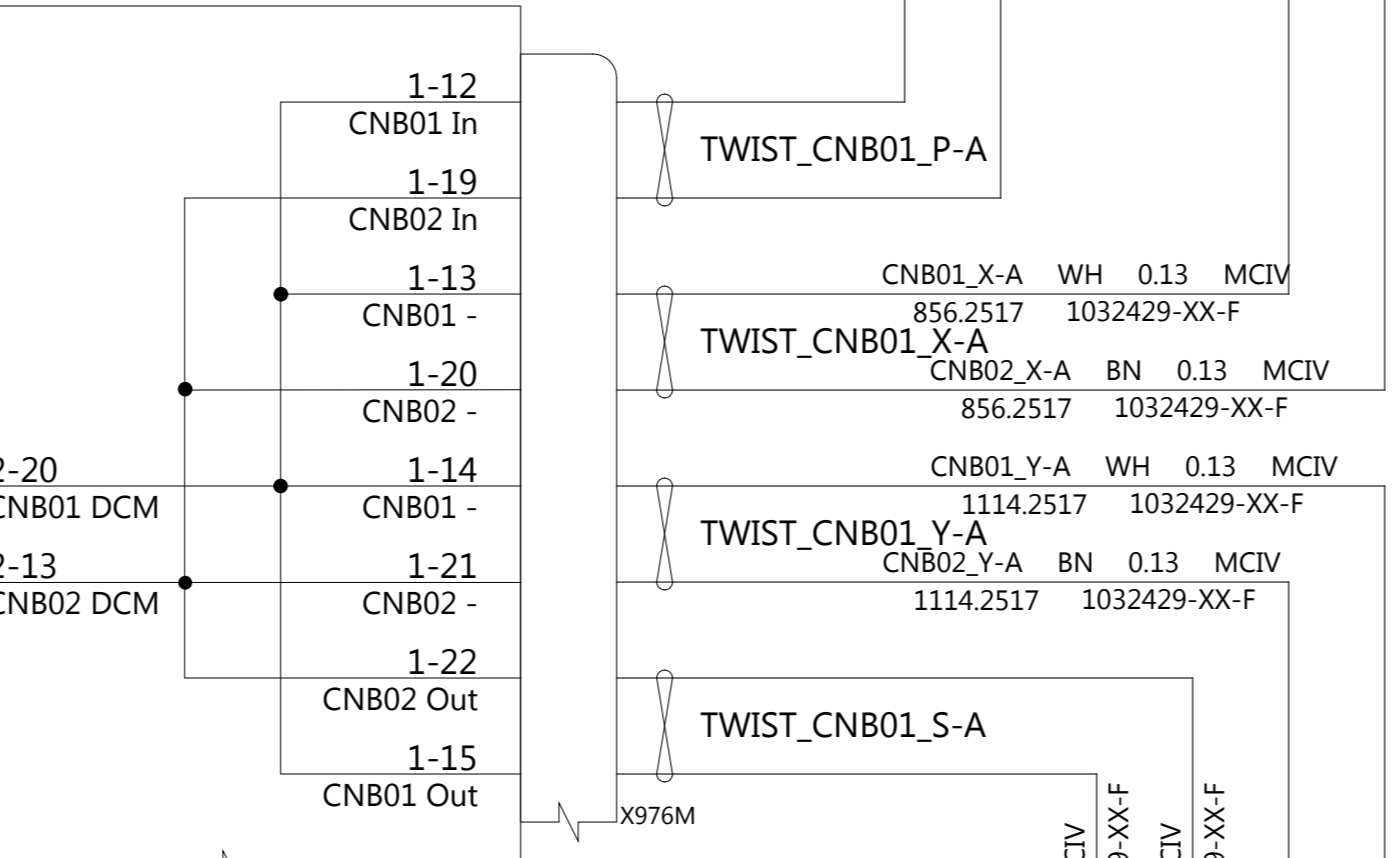
**X732 Splice J**  
**X732**



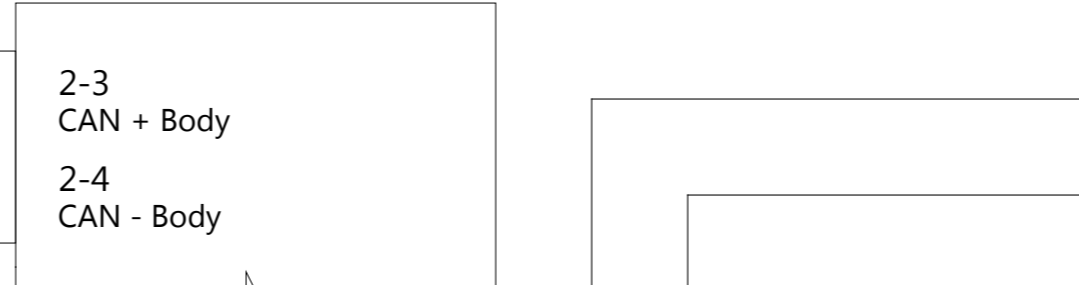
**Door Control Module LR (BCRDM) DV3**  
**RL,RT X420 X421 X423**



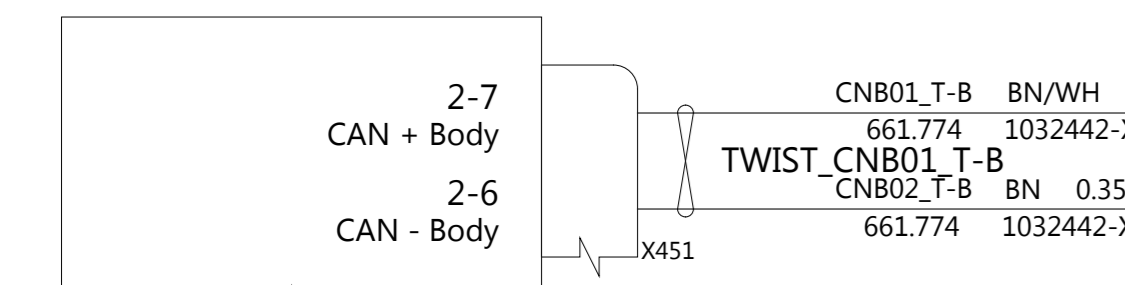
**X976 Inline Splice H, RU X976MX976F**



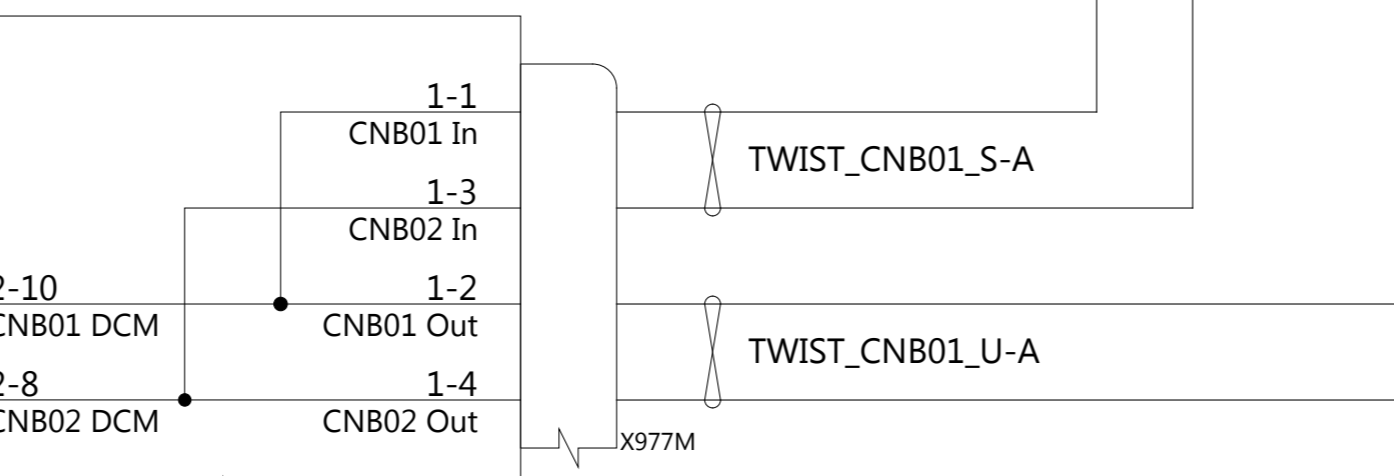
**Falcon Controller Front (BCFALCD) H**  
**X680 X684 X670 X671 X672 X673**



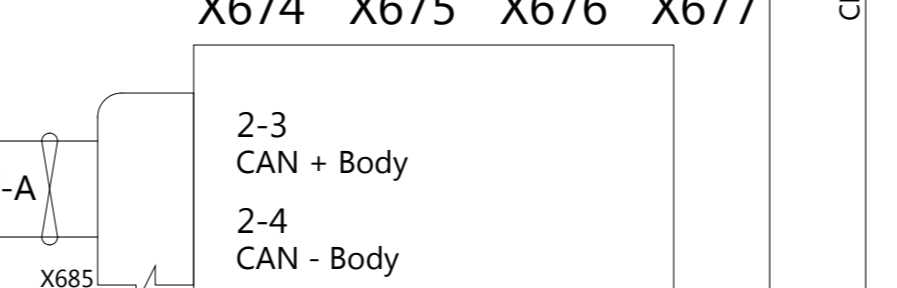
**Door Control Module RR (BCRPM) DV3**  
**SL,ST X450 X451 X453**



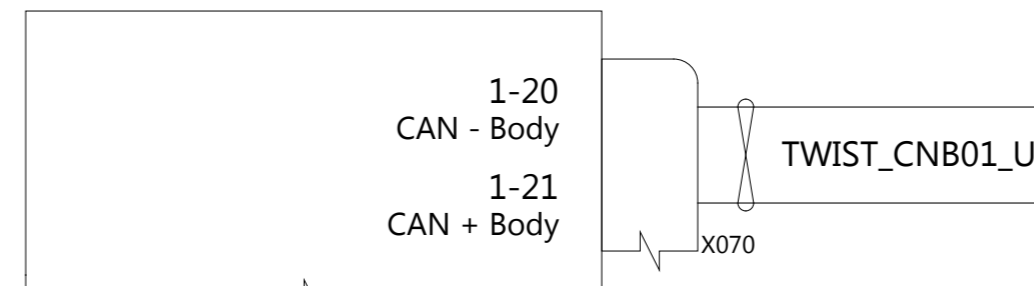
**X977 Inline Splice H, SU X977MX977F**



**Falcon Controller Rear (BCFALCP) H**  
**X682 X685 X674 X675 X676 X677**



**Rear Body Control Module (BCREAR) DV3**  
**H X070 X071 X072 X073 X078**

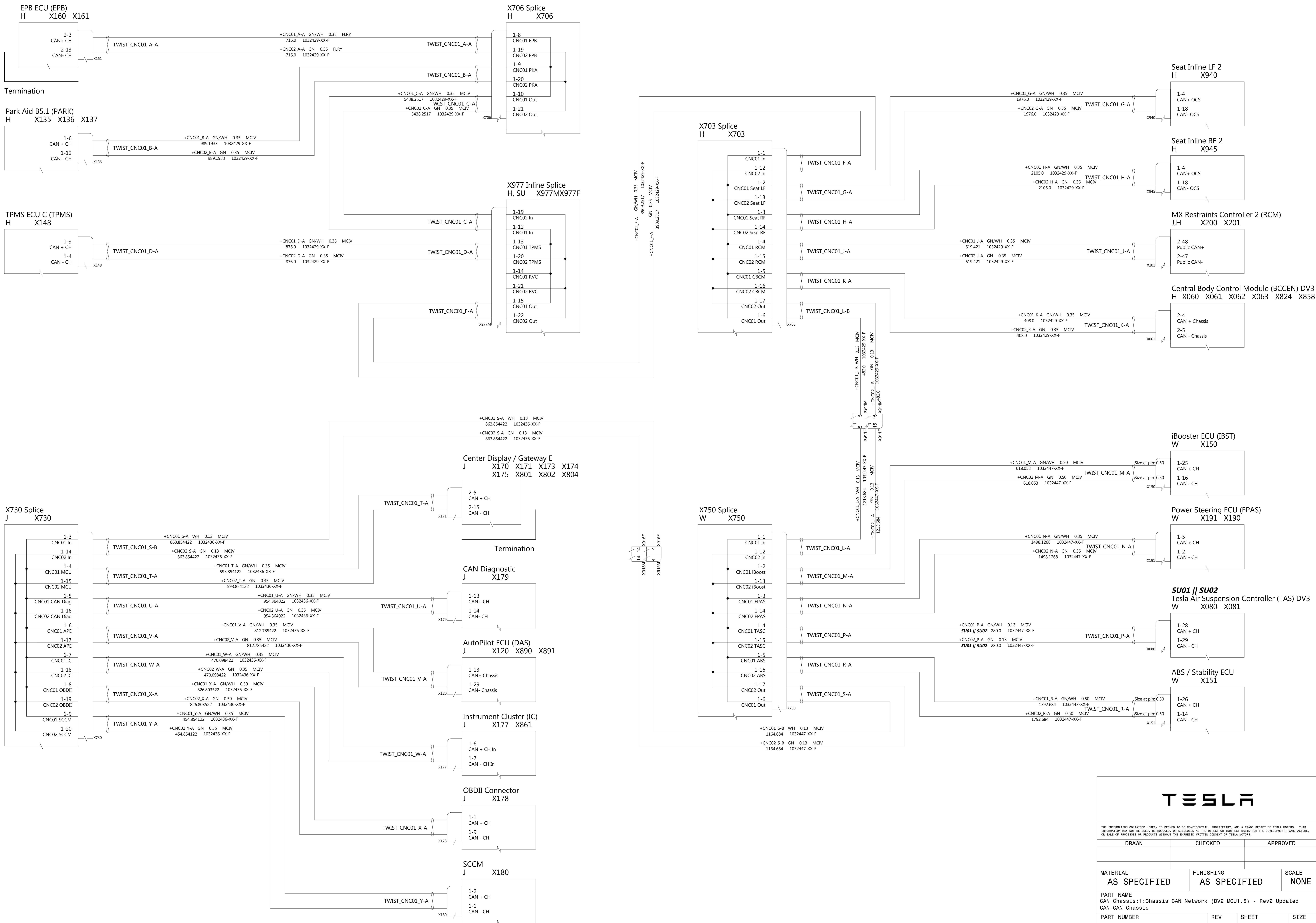


**Termination**



THE INFORMATION CONTAINED HEREIN IS DEEMED TO BE CONFIDENTIAL, PROPRIETARY, AND A TRADE SECRET OF TESLA MOTORS. THIS INFORMATION MAY NOT BE USED, REPRODUCED, OR DISCLOSED AS THE DIRECT OR INDIRECT BASIS FOR THE DEVELOPMENT, MANUFACTURE, OR SALE OF PROCESSES OR PRODUCTS WITHOUT THE EXPRESSED WRITTEN CONSENT OF TESLA MOTORS.

DRAWN	CHECKED	APPROVED
MATERIAL AS SPECIFIED	FINISHING AS SPECIFIED	SCALE NONE
PART NAME CAN Body:1:Body CAN Network-CAN Body		
PART NUMBER	REV 4	SHEET 6 OF 65
		SIZE A0



THE INFORMATION CONTAINED HEREIN IS DEEMED TO BE CONFIDENTIAL, PROPRIETARY, AND A TRADE SECRET OF TESLA MOTORS. THIS INFORMATION MAY NOT BE USED, REPRODUCED, OR DISCLOSED AS THE DIRECT OR INDIRECT BASIS FOR THE DEVELOPMENT, MANUFACTURE, OR SALE OF PROCESSES OR PRODUCTS WITHOUT THE EXPRESSED WRITTEN CONSENT OF TESLA MOTORS.

DRAWN	CHECKED	APPROVED

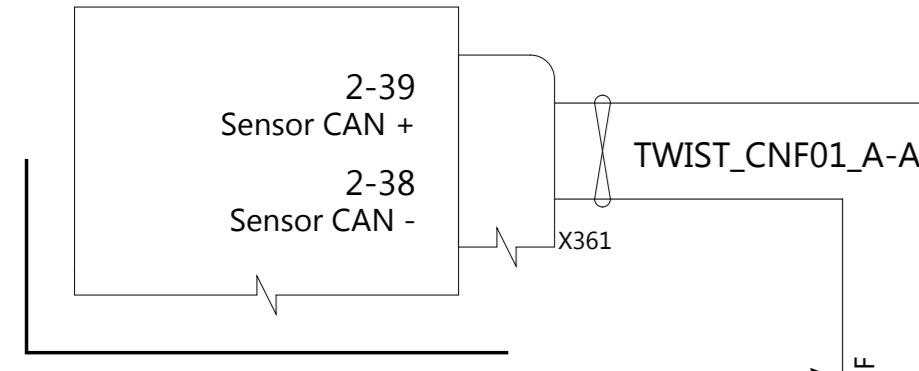
MATERIAL AS SPECIFIED	FINISHING AS SPECIFIED	SCALE NONE

PART NAME  
CAN Chassis:1:Chassis CAN Network (DV2 MCU1.5) - Rev2 Updated

PART NUMBER	REV	SHEET	SIZE
	4	7 OF 65	A0

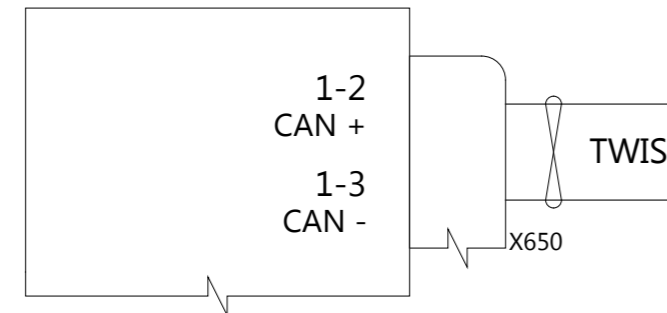


Door Control Module LF (BCFDM) DV3  
D X360 X361 X362 X363



Termination

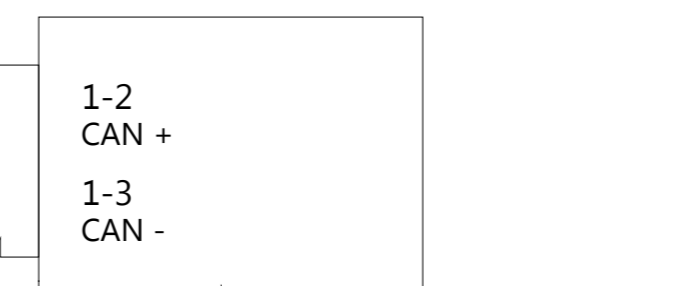
Capacitive Sensor Upper - LR  
RU X650



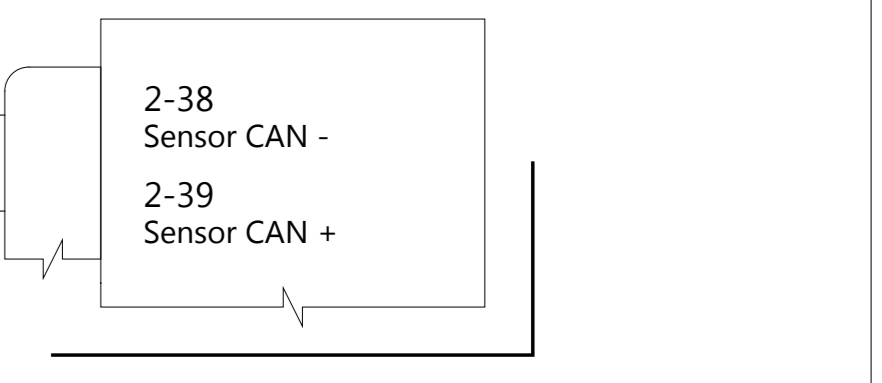
Ultrasonic Sensor ECU LR Door Valeo (SNSUS)  
RL X446 X447



Capacitive Sensor Lower - LR  
RL X652

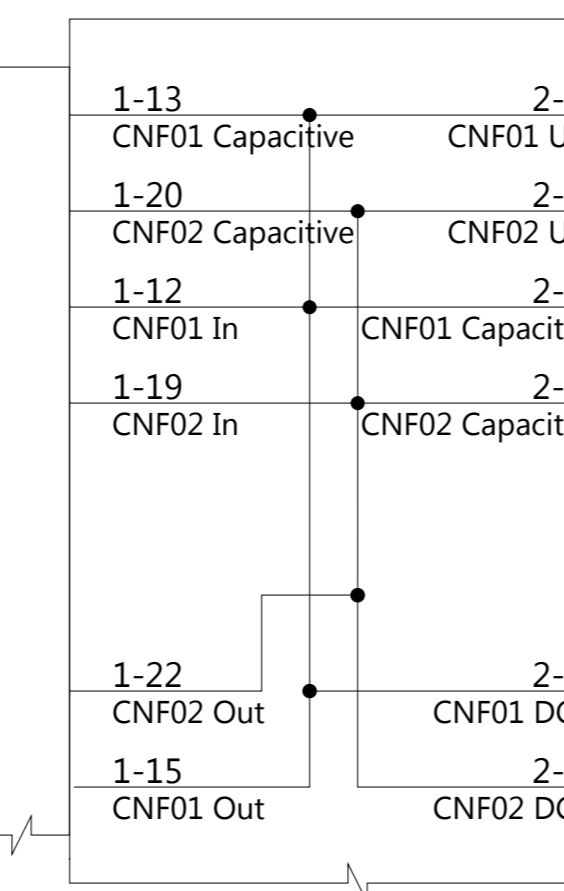


Door Control Module RF (BCFPM) DV3  
P X390 X391 X392 X393



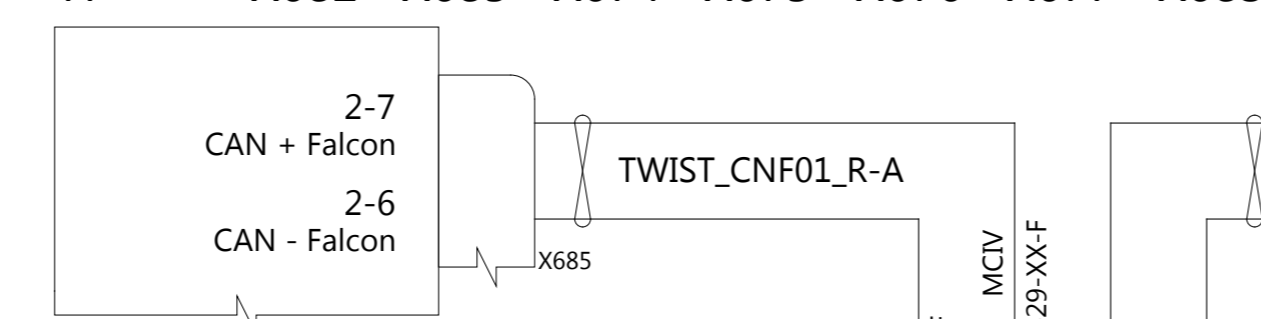
Termination

X972 Inline Splice  
RU,RL X972MX972F

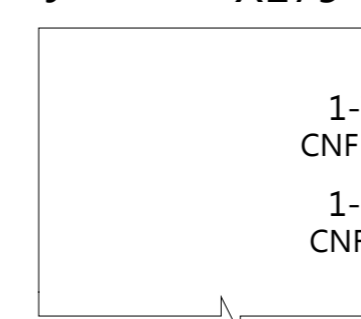


2+2+3+2+2; 4+3+4

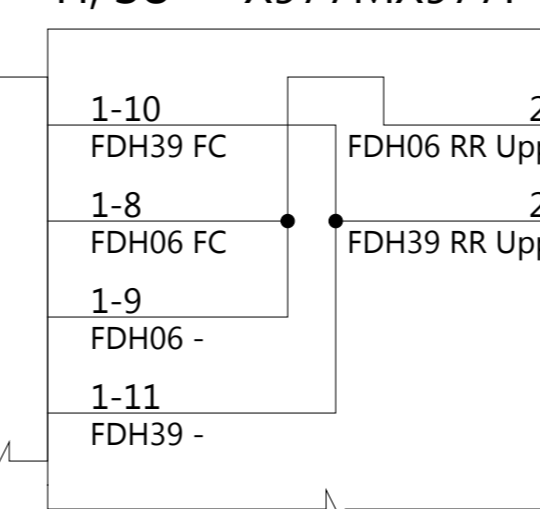
Falcon Controller Rear (BCFALCP)  
H X682 X685 X674 X675 X676 X677 X683



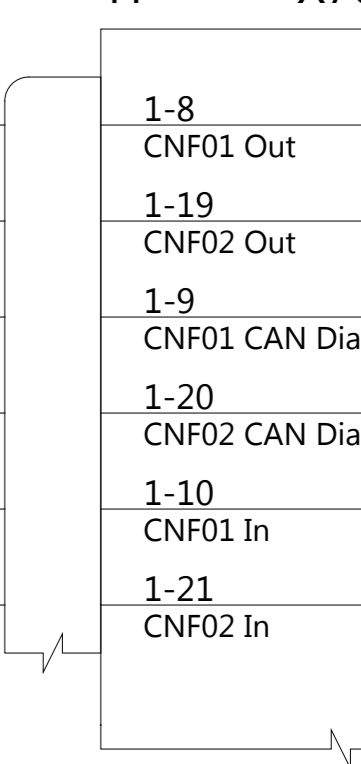
CAN Diagnostic  
J X179



X977 Inline Splice  
H, SU X977MX977F



X701 Splice  
H X701



4+3+4; 4+3+4

CNF01\_C.A GY/WH 0.35 MCV  
2666.0 1032881-XX-F

CNF02\_C.A GY/WH 0.35 MCV  
2666.0 1032881-XX-F

CNF01\_A.A GY/WH 0.35 MCV  
1695.0 1032441-XX-F

CNF02\_A.A GY/WH 0.35 MCV  
1695.0 1032441-XX-F

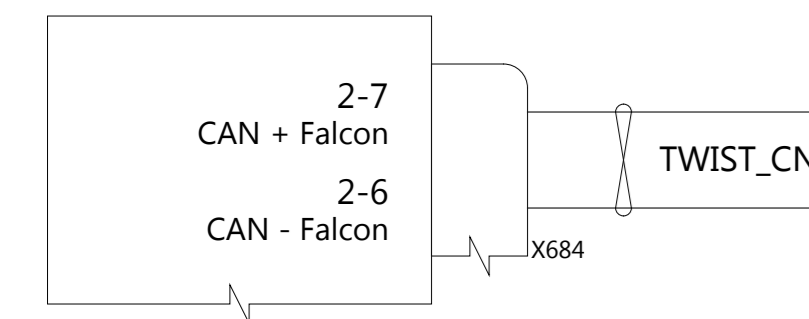
CNF01\_B.A GY/WH 0.35 MCV  
3837.0 1032429-XX-F

CNF02\_B.A GY/WH 0.35 MCV  
3837.0 1032429-XX-F

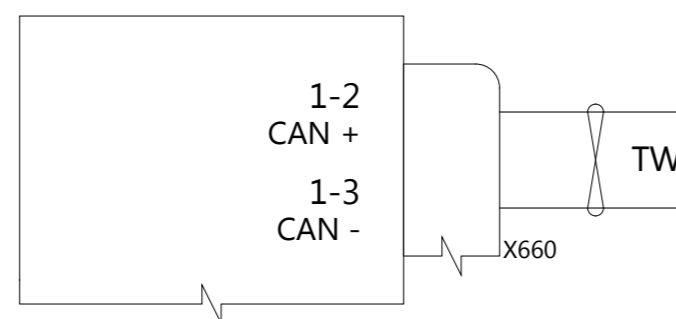
CNF01\_P.A GY/WH 0.35 FLY  
2866.0 1032882-XX-F

CNF02\_P.A GY/WH 0.35 FLY  
2866.0 1032882-XX-F

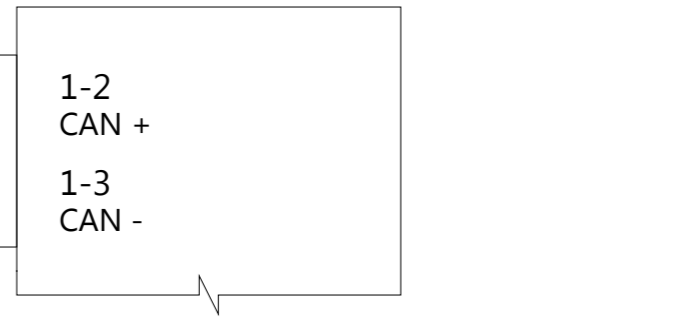
Falcon Controller Front (BCFALCD)  
H X680 X684 X670  
X671 X672 X673 X681



Capacitive Sensor Upper - RR  
SU X660



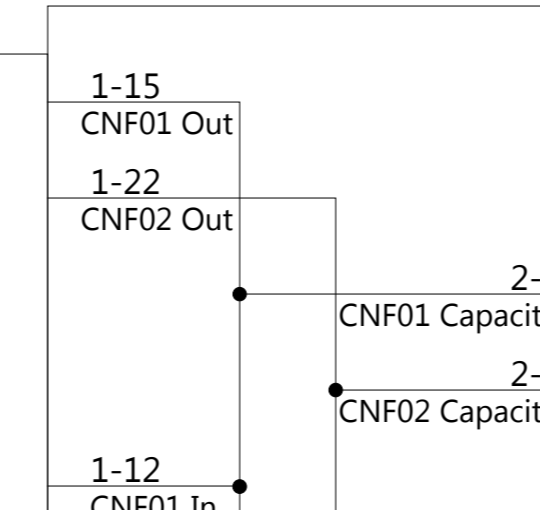
Capacitive Sensor Lower - RR  
SL X662



Door Control Module RR (BCRPM) DV3  
SL,ST X450 X451 X453



X974 Inline Splice  
SU,SL X974MX974F



2+2+3+2+2; 4+3+4

TESLA

THE INFORMATION CONTAINED HEREIN IS DEEMED TO BE CONFIDENTIAL, PROPRIETARY, AND A TRADE SECRET OF TESLA MOTORS. THIS INFORMATION MAY NOT BE USED, REPRODUCED, OR DISCLOSED AS THE DIRECT OR INDIRECT BASIS FOR THE DEVELOPMENT, MANUFACTURE, OR SALE OF PROCESSES OR PRODUCTS WITHOUT THE EXPRESSED WRITTEN CONSENT OF TESLA MOTORS.

DRAWN	CHECKED	APPROVED
-------	---------	----------

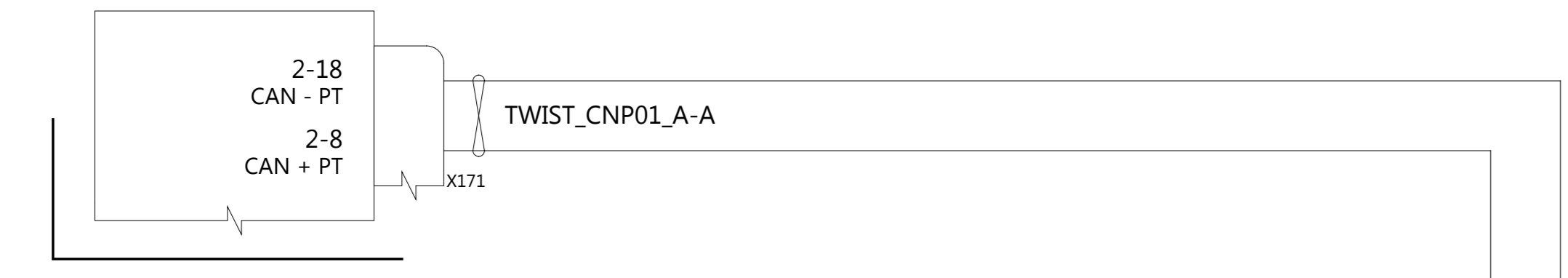
MATERIAL AS SPECIFIED	FINISHING AS SPECIFIED	SCALE NONE
--------------------------	---------------------------	---------------

PART NAME  
CAN Falcon:2:Falcon Sensing-CAN Falcon

PART NUMBER	REV	SHEET	SIZE
-------------	-----	-------	------

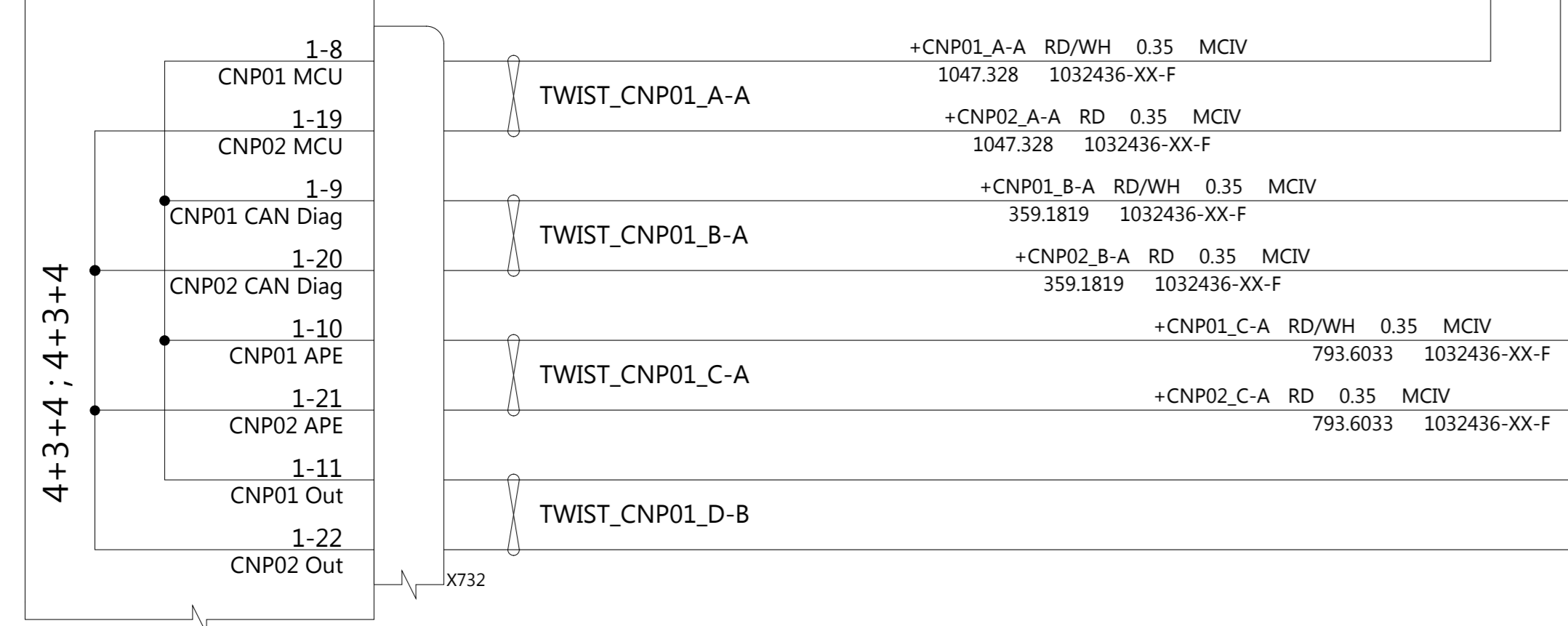
	4	8 OF 65	A0
--	---	---------	----

Center Display / Gateway E  
J X170 X171 X173 X174 X175

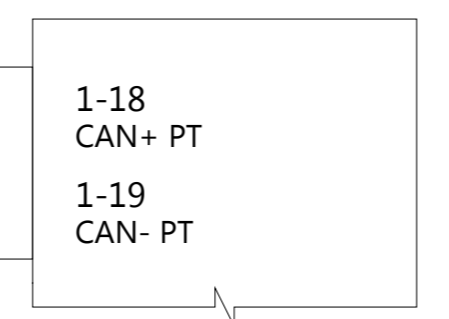


Termination

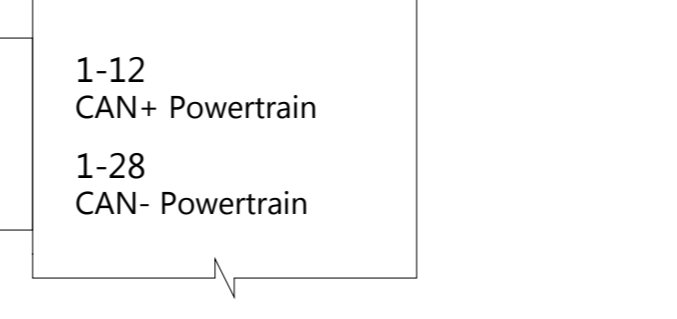
X732 Splice  
J X732



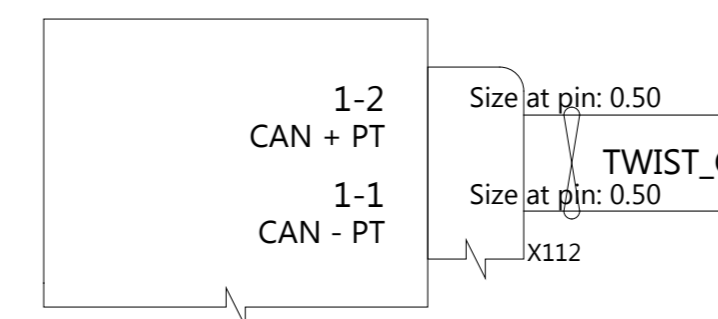
CAN Diagnostic  
J X179



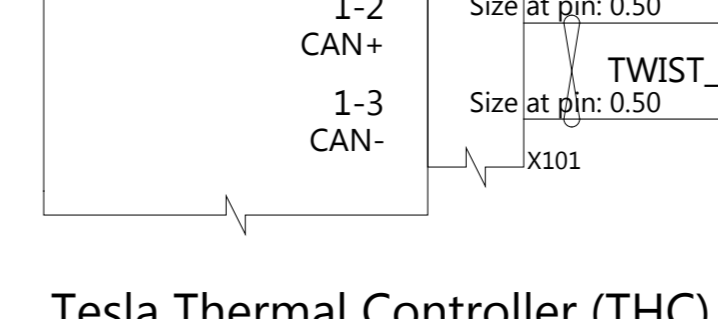
AutoPilot ECU (DAS)  
J X120 X890 X891



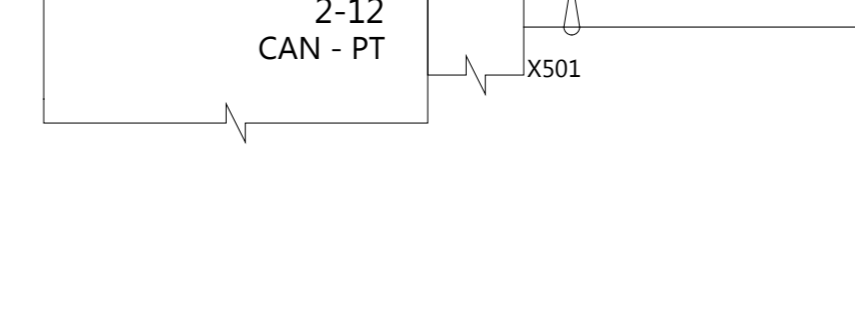
DV4W  
Drive Inverter (DI) Front AWD  
W X112



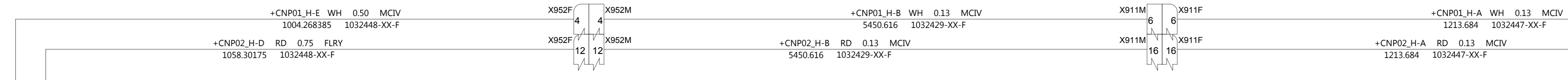
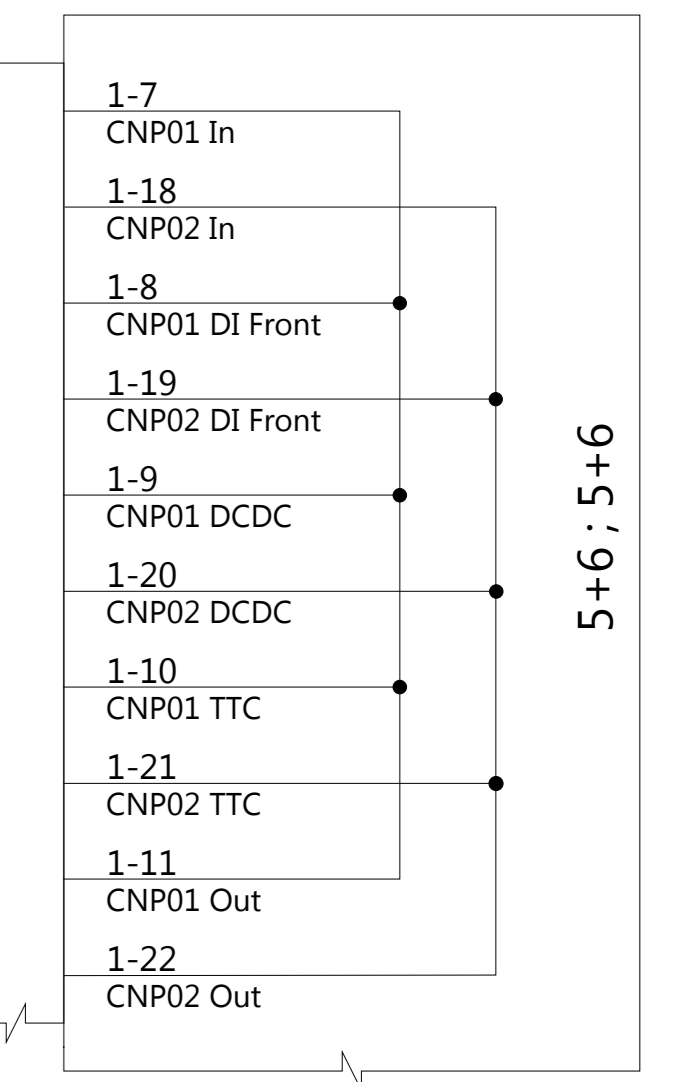
DCDC  
W X101 X017 X018



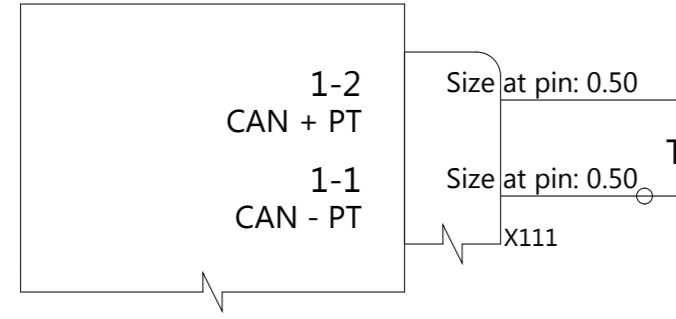
Tesla Thermal Controller (THC)  
W X500 X501 X502 X503



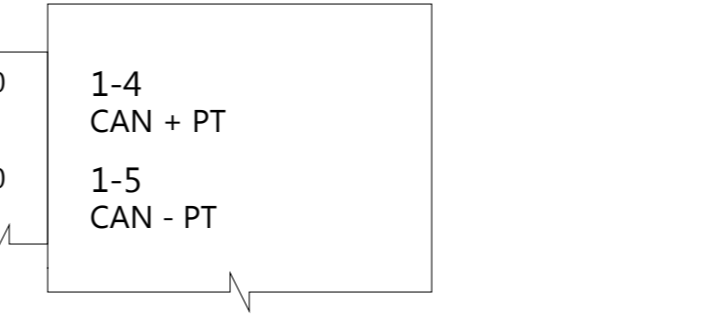
X750 Splice  
W X750



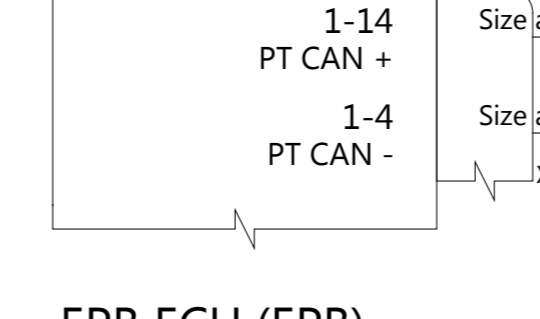
X025  
Drive Inverter (DI) Rear AWD  
X X111



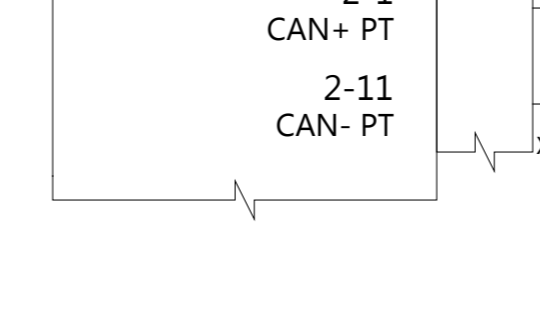
X024  
Drive Inverter (DI) Rear RWD  
X X110



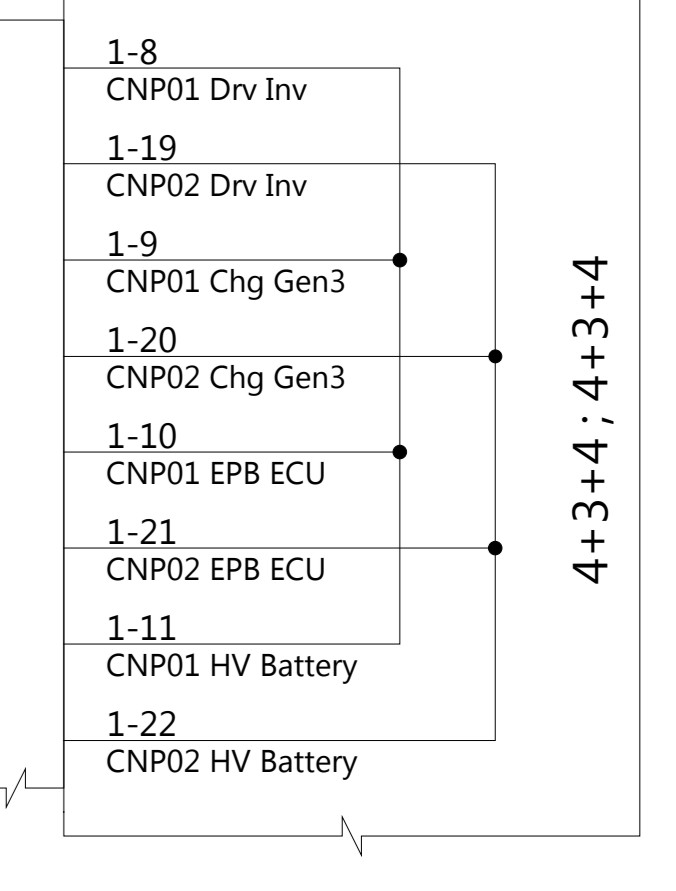
Charger Gen3 (CHG)  
H X090



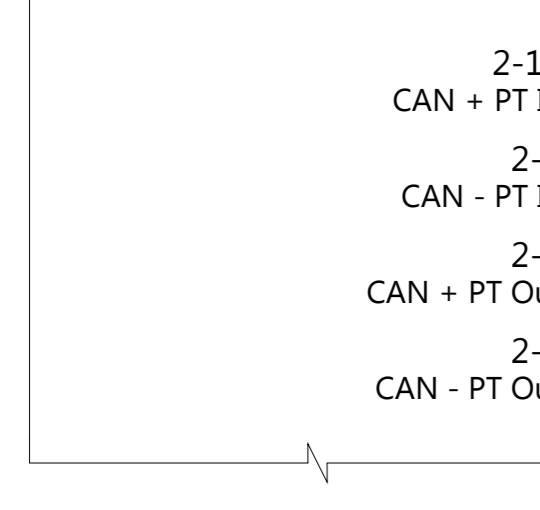
EPB ECU (EPB)  
H X160 X161



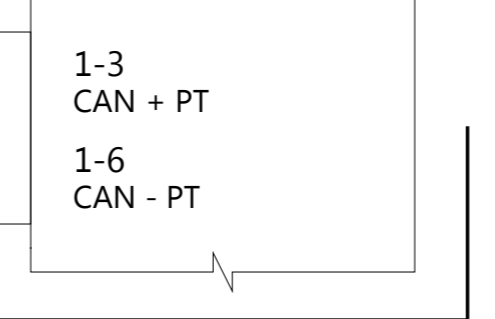
X702 Splice  
H X702



HV Battery  
H X098 X099



Charge Port Logic  
H X105

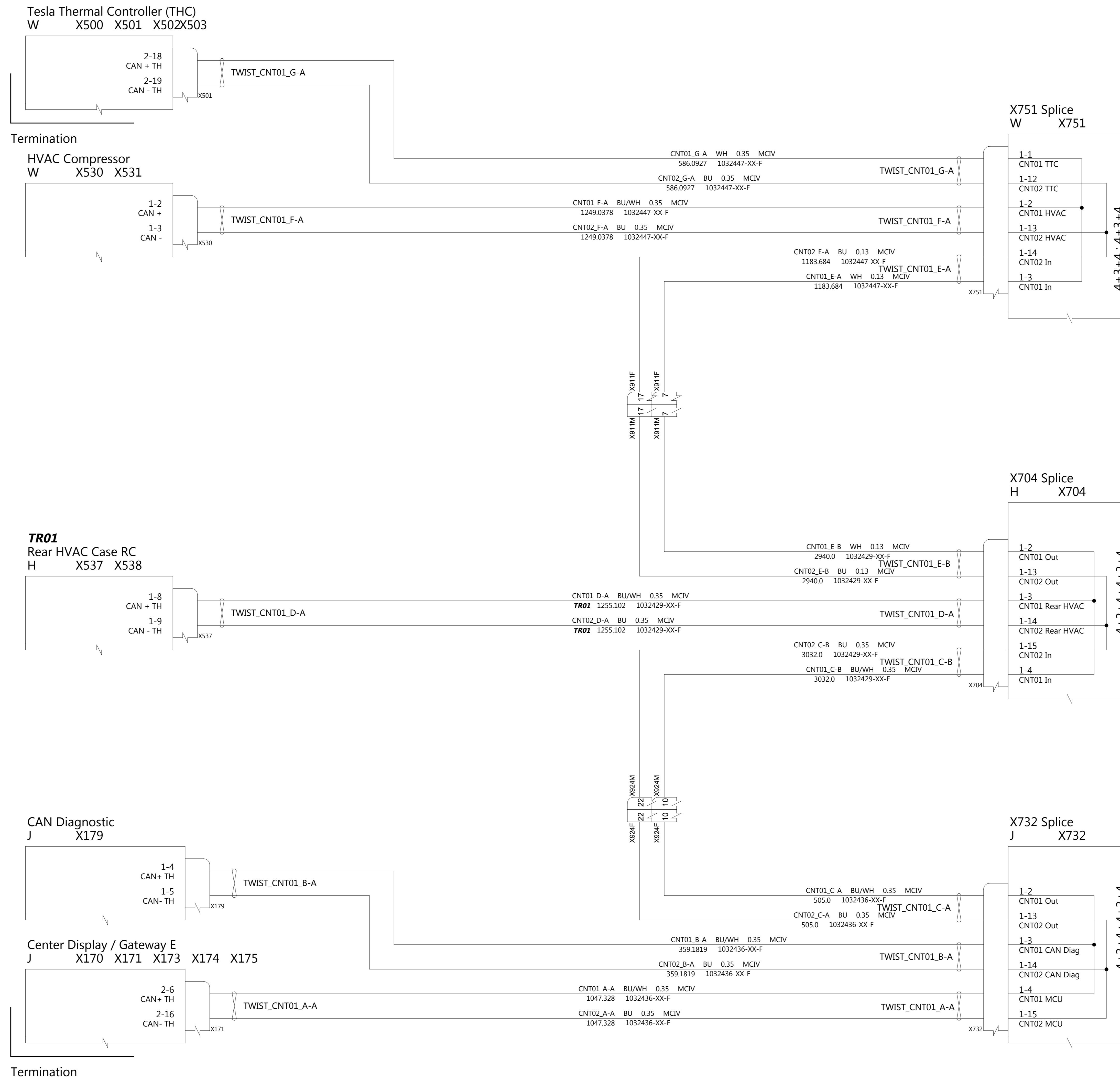


Termination



THE INFORMATION CONTAINED HEREIN IS DEEMED TO BE CONFIDENTIAL, PROPRIETARY, AND A TRADE SECRET OF TESLA MOTORS. THIS INFORMATION MAY NOT BE USED, REPRODUCED, OR DISCLOSED AS THE DIRECT OR INDIRECT BASIS FOR THE DEVELOPMENT, MANUFACTURE, OR SALE OF PROCESSES OR PRODUCTS WITHOUT THE EXPRESSED WRITTEN CONSENT OF TESLA MOTORS.

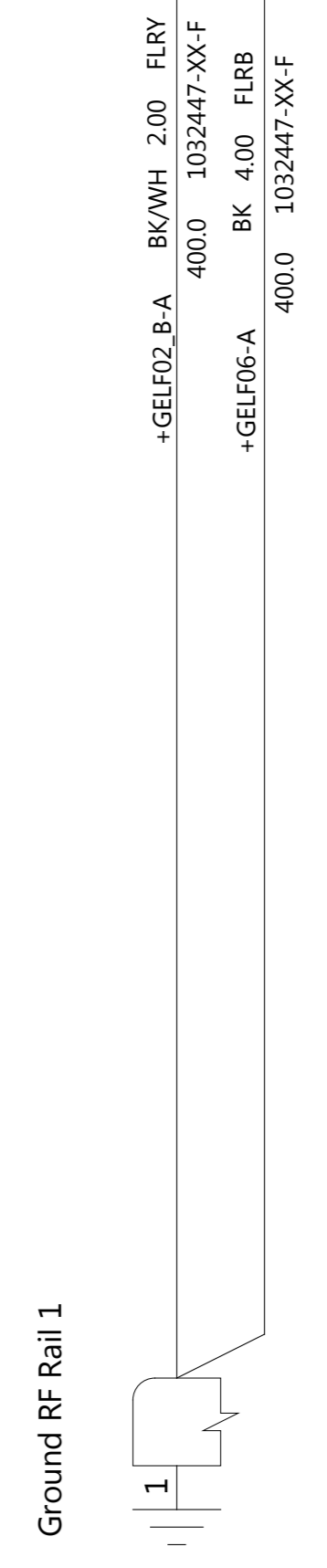
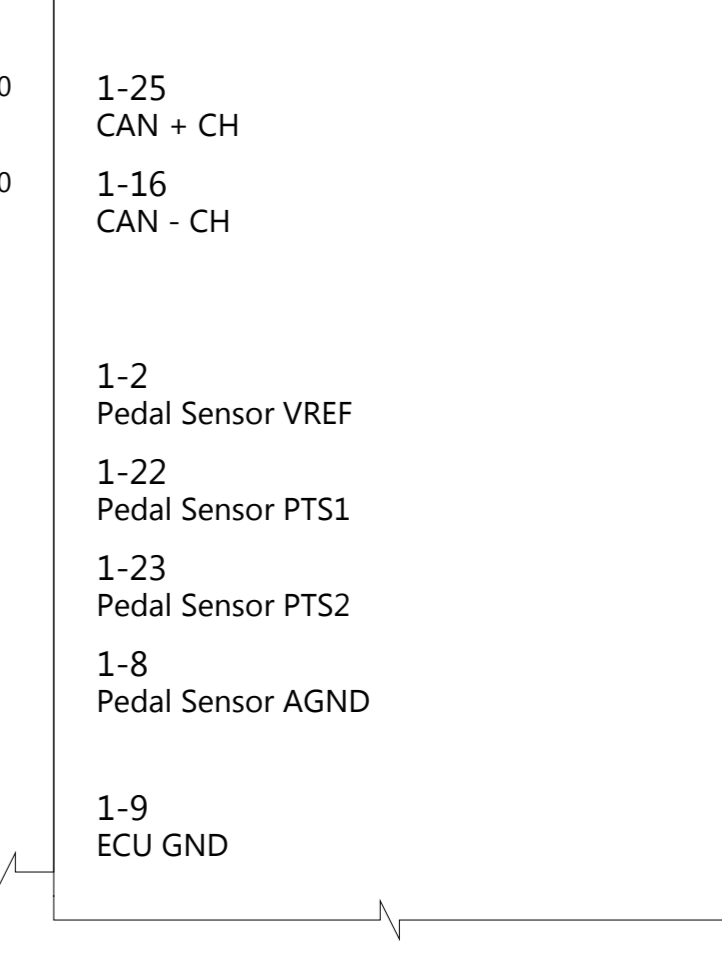
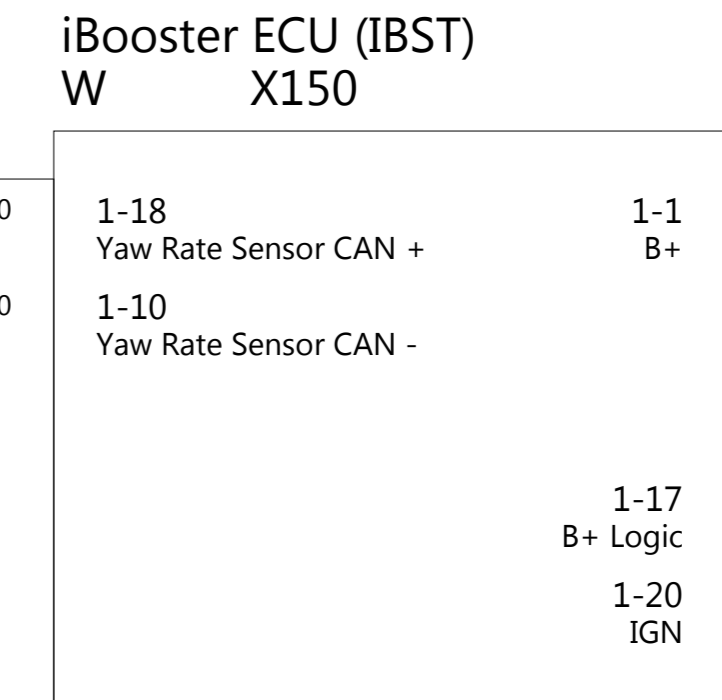
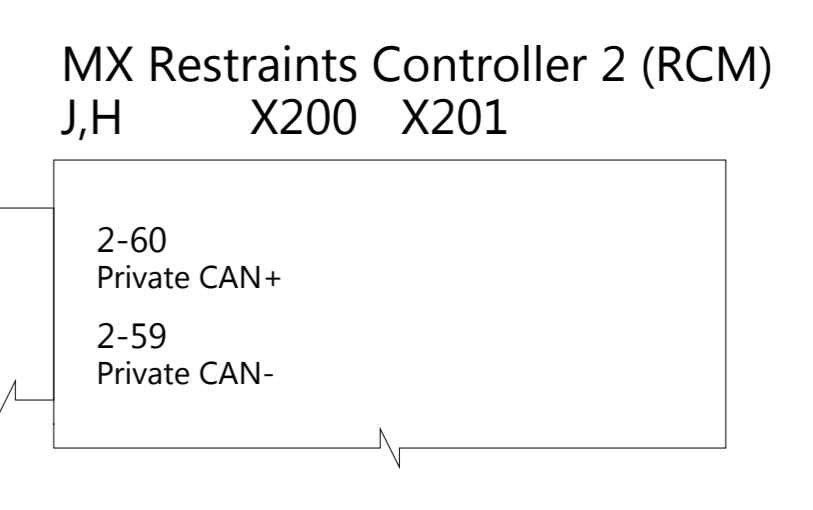
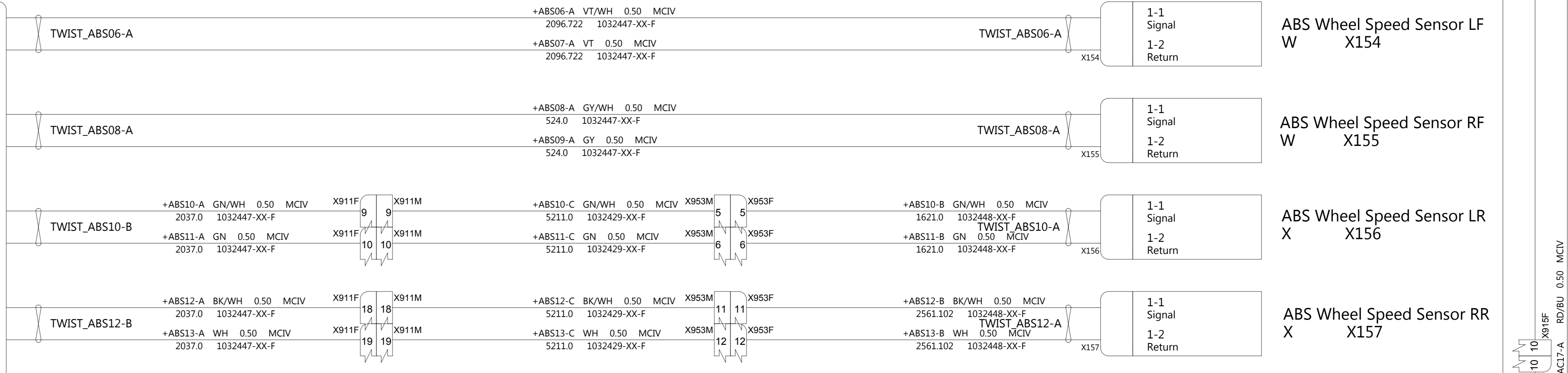
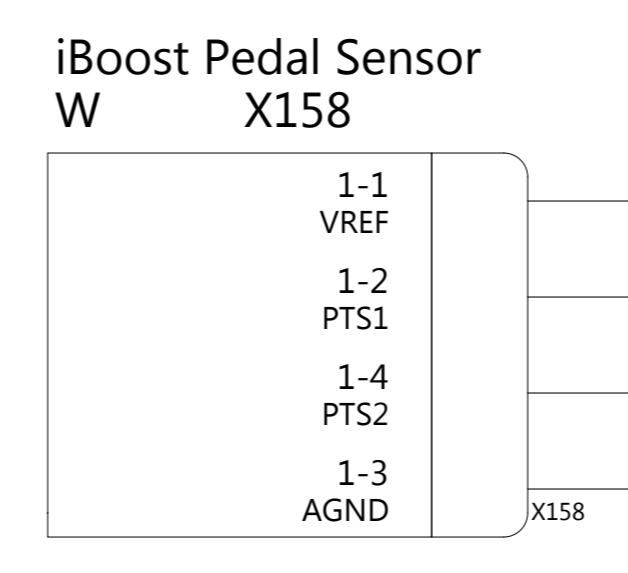
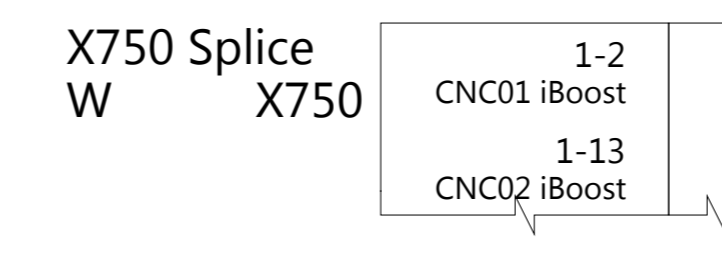
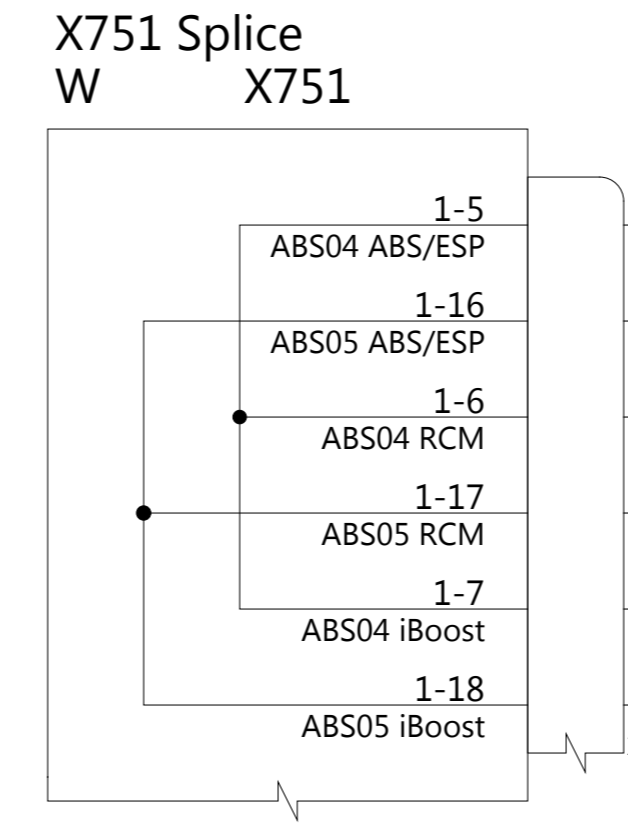
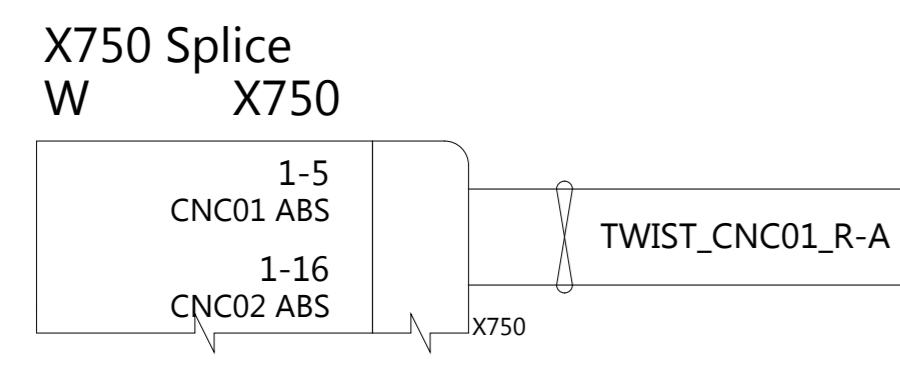
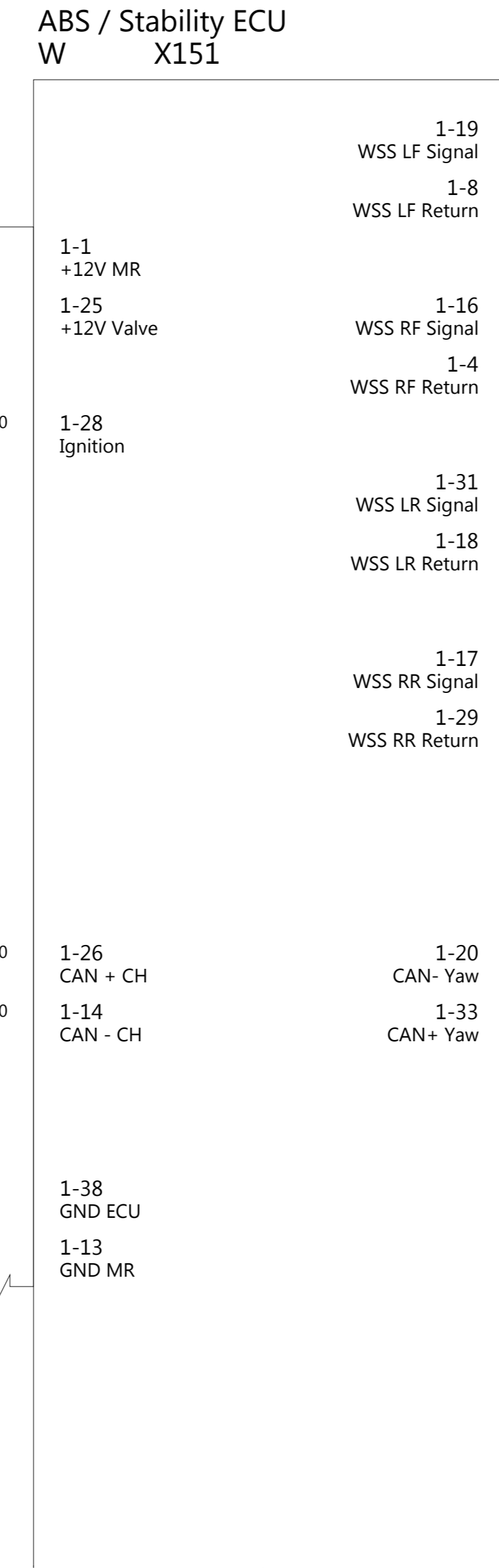
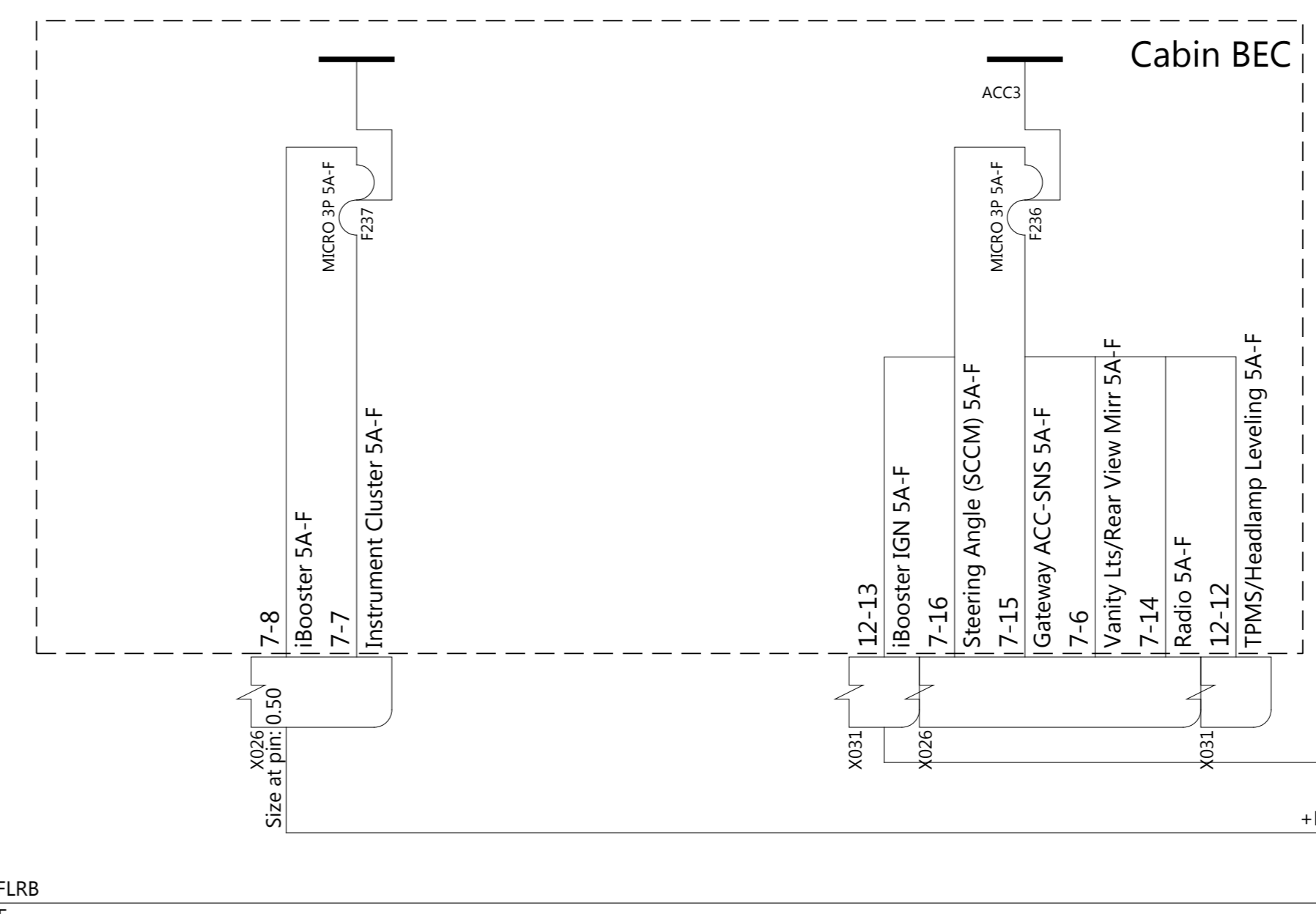
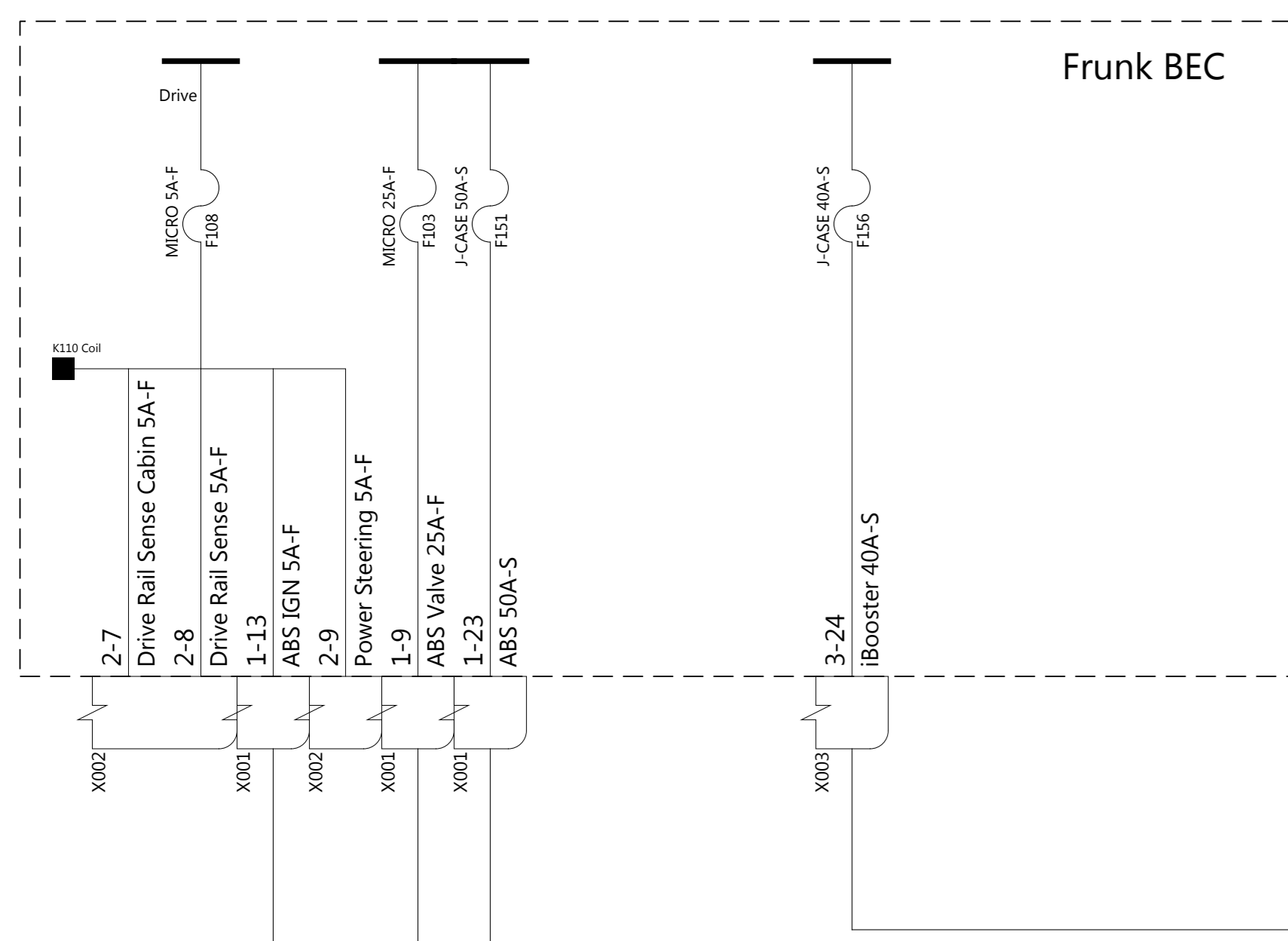
DRAWN	CHECKED	APPROVED
MATERIAL AS SPECIFIED	FINISHING AS SPECIFIED	SCALE NONE
PART NAME CAN Powertrain:1:Powertrain CAN Network (MCU1.5) - Rev2 Updated CAN-CAN Powertrain		
PART NUMBER	REV	SHEET
	4	9 OF 65
		SIZE A0



**TESLA**

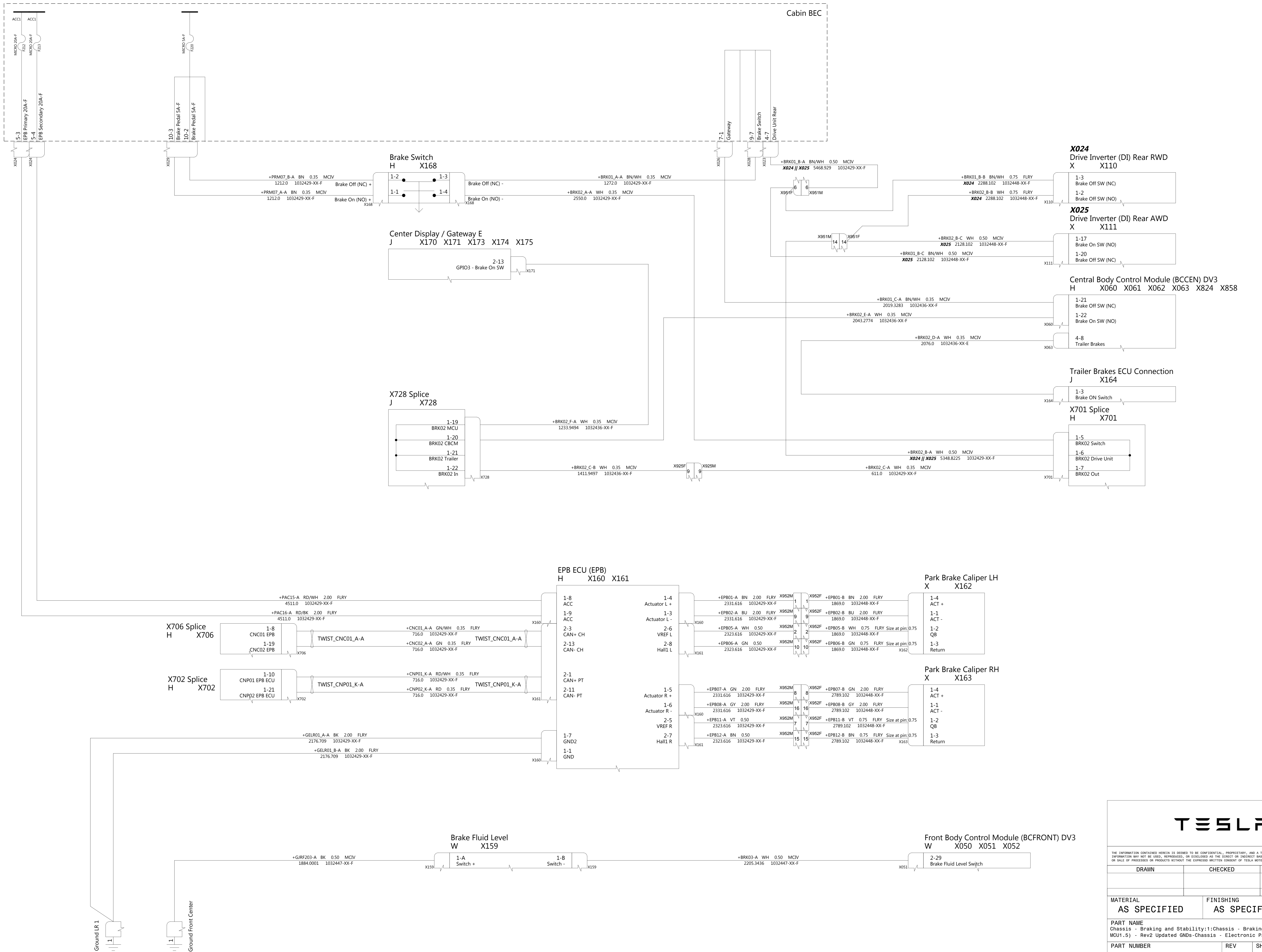
THE INFORMATION CONTAINED HEREIN IS DEEMED TO BE CONFIDENTIAL, PROPRIETARY, AND A TRADE SECRET OF TESLA MOTORS. THIS INFORMATION MAY NOT BE USED, REPRODUCED, OR DISCLOSED AS THE DIRECT OR INDIRECT BASIS FOR THE DEVELOPMENT, MANUFACTURE, OR SALE OF PROCESSES OR PRODUCTS WITHOUT THE EXPRESSED WRITTEN CONSENT OF TESLA MOTORS.

DRAWN	CHECKED	APPROVED
MATERIAL AS SPECIFIED	FINISHING AS SPECIFIED	SCALE NONE
PART NAME CAN Thermal:1:CAN Thermal (MCU1.5)-CAN Thermal		
PART NUMBER	REV	SHEET
	4	10 of 65
		SIZE A0



THE INFORMATION CONTAINED HEREIN IS DEEMED TO BE CONFIDENTIAL, PROPRIETARY, AND A TRADE SECRET OF TESLA MOTORS. THIS INFORMATION MAY NOT BE USED, REPRODUCED, OR DISCLOSED AS THE DIRECT OR INDIRECT BASIS FOR THE DEVELOPMENT, MANUFACTURE, OR SALE OF PRODUCTS OR SERVICES WITHOUT THE EXPRESSED WRITTEN CONSENT OF TESLA MOTORS.

DRAWN	CHECKED	APPROVED
MATERIAL AS SPECIFIED	FINISHING AS SPECIFIED	SCALE NONE
PART NAME Chassis - Braking and Stability:1:Chassis - Braking and Stability (DV2 MCU1.5) - Rev2 Updated GNDs-Chassis - Braking and Stability		
PART NUMBER	REV	SHEET
	4	11 OF 65
		SIZE A0



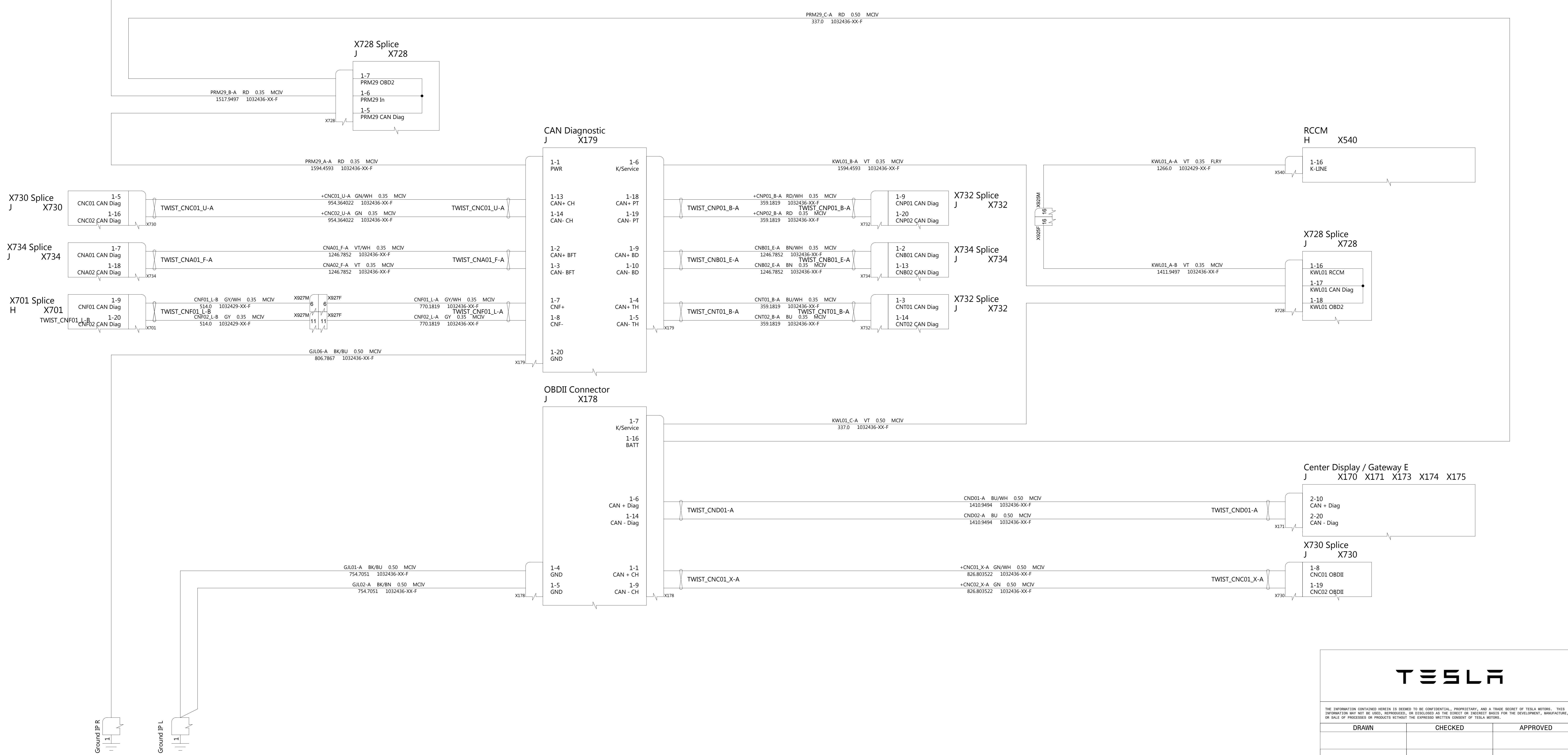
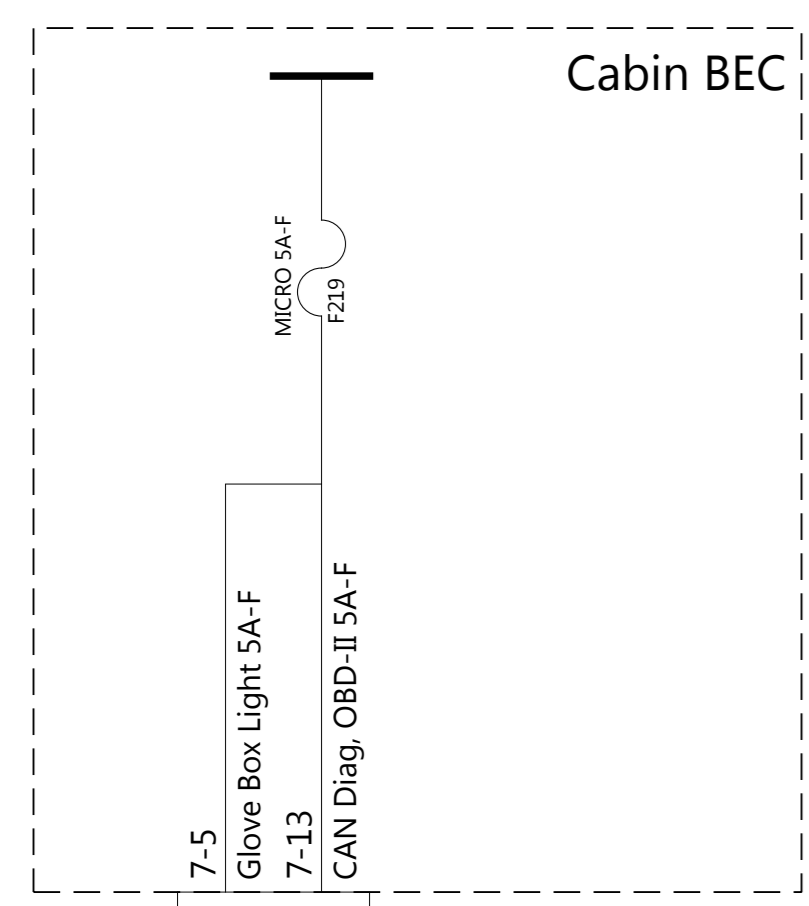
THE INFORMATION CONTAINED HEREIN IS DEEMED TO BE CONFIDENTIAL, PROPRIETARY, AND A TRADE SECRET OF TESLA MOTORS. THIS INFORMATION MAY NOT BE USED, REPRODUCED, OR DISCLOSED AS THE DIRECT OR INDIRECT BASIS FOR THE DEVELOPMENT, MANUFACTURE, OR SALE OF PROCESSES OR PRODUCTS WITHOUT THE EXPRESSED WRITTEN CONSENT OF TESLA MOTORS.

DRAWN	CHECKED	APPROVED

MATERIAL	FINISHING	SCALE
AS SPECIFIED	AS SPECIFIED	NONE

PART NAME  
Chassis - Braking and Stability:1:Chassis - Braking and Stability (DV2  
MCU1.5) - Rev2 Updated GNDs-Chassis - Electronic Park Brake + Brake Pedal

PART NUMBER	REV	SHEET	SIZE
	4	12 OF 65	A0



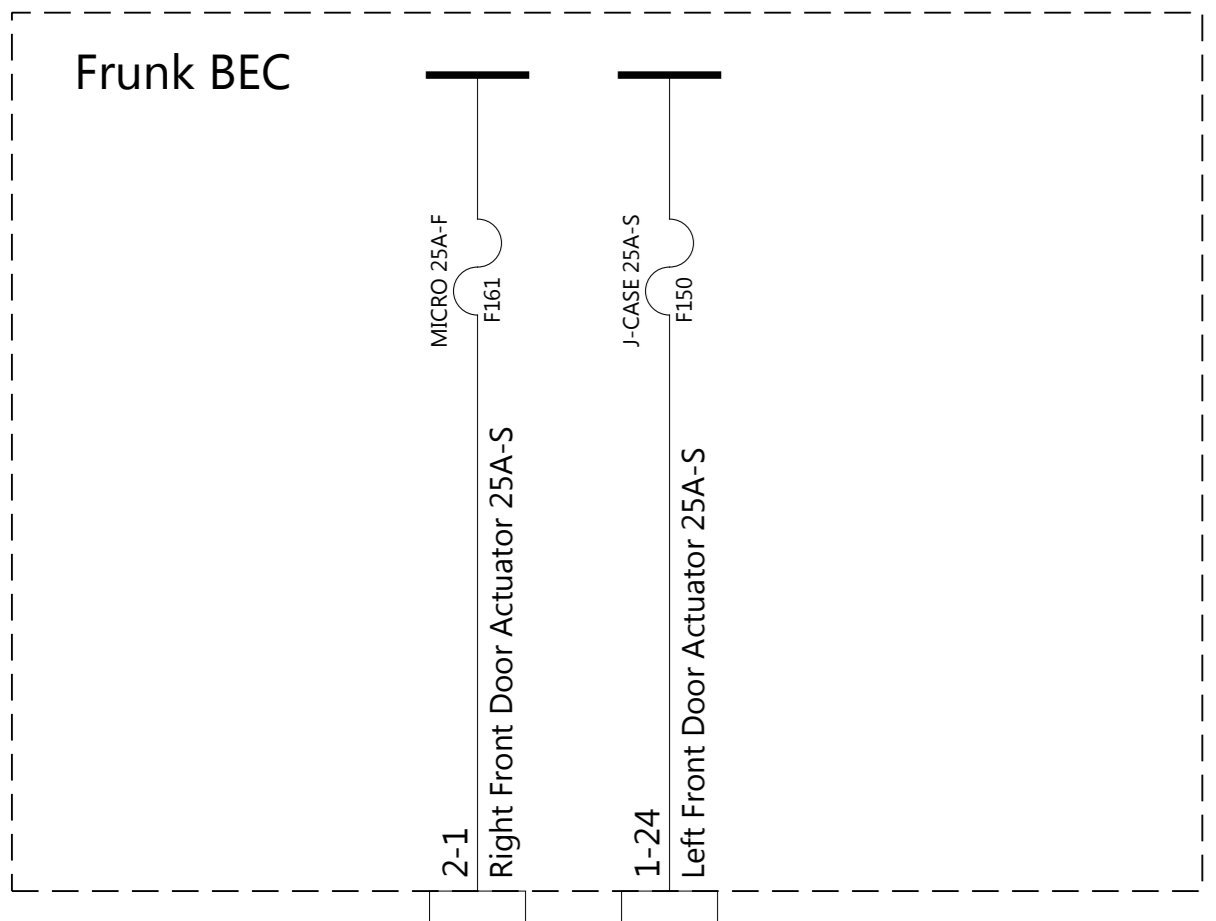
THE INFORMATION CONTAINED HEREIN IS DEEMED TO BE CONFIDENTIAL, PROPRIETARY, AND A TRADE SECRET OF TESLA MOTORS. THIS INFORMATION MAY NOT BE USED, REPRODUCED, OR DISCLOSED AS THE OBJECT OR INDIRECT BASIS FOR THE DEVELOPMENT, MANUFACTURE, OR SALE OF PROCESSES OR PRODUCTS WITHOUT THE EXPRESS WRITTEN CONSENT OF TESLA MOTORS.

DRAWN	CHECKED	APPROVED
-------	---------	----------

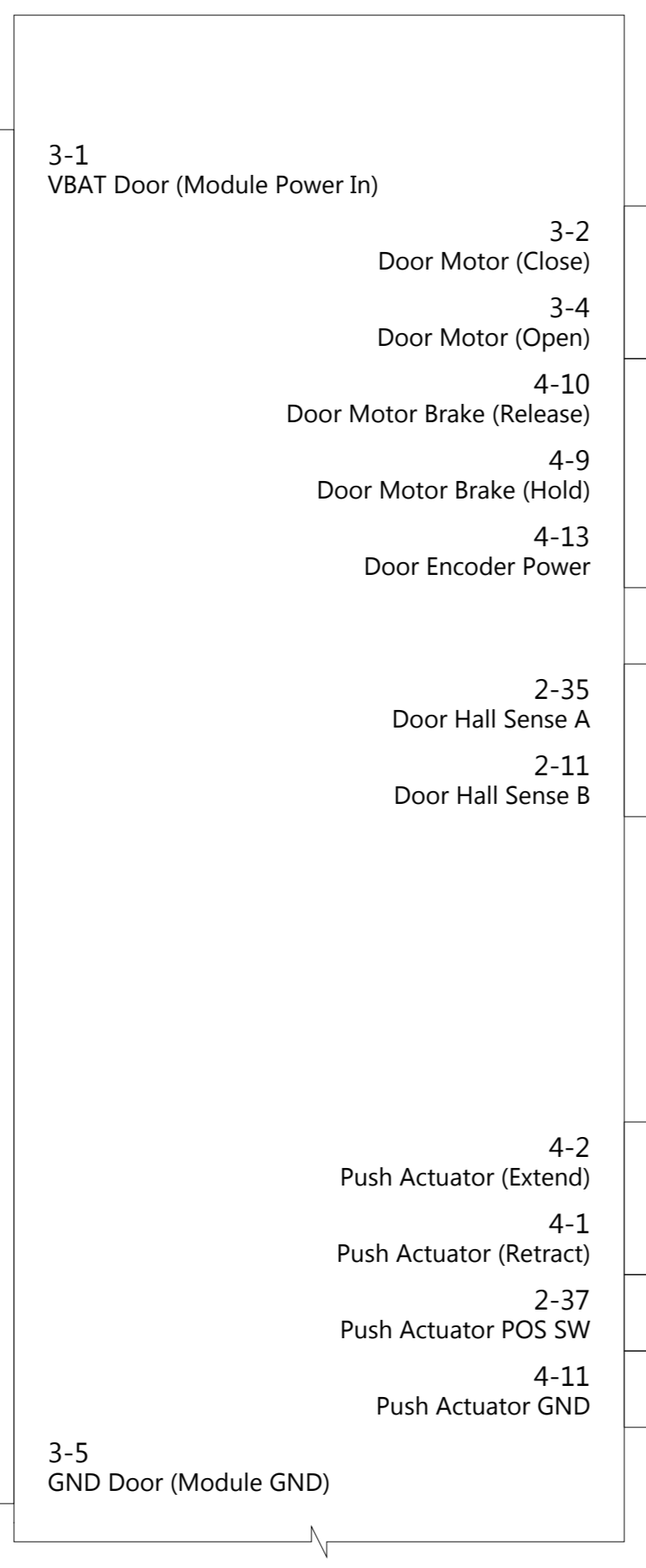
MATERIAL AS SPECIFIED	FINISHING AS SPECIFIED	SCALE NONE
--------------------------	---------------------------	---------------

PART NAME  
Diagnostics:1:Diagnosics MCU1.5 - Rev2 Updated Diag  
Pinout-Diagnostics

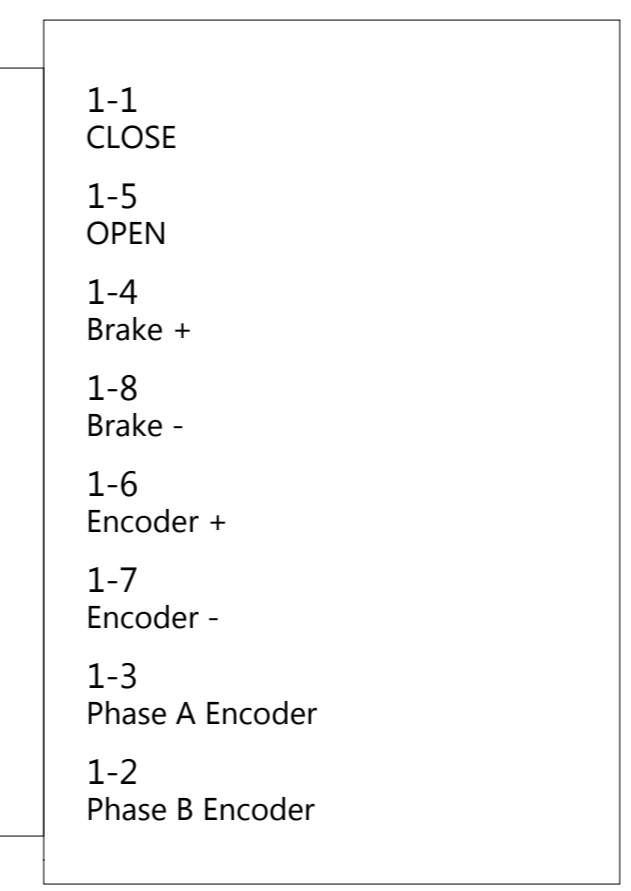
PART NUMBER	REV	SHEET	SIZE
	4	13 of 65	A0



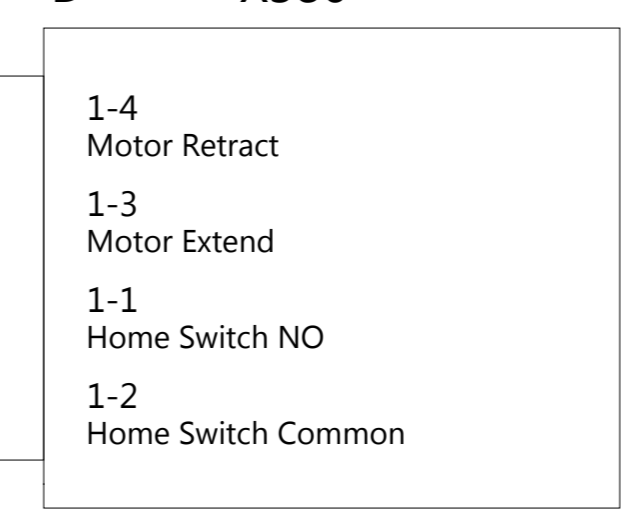
**Door Control Module LF (BCFDM) DV3**  
D X360 X361 X362 X363



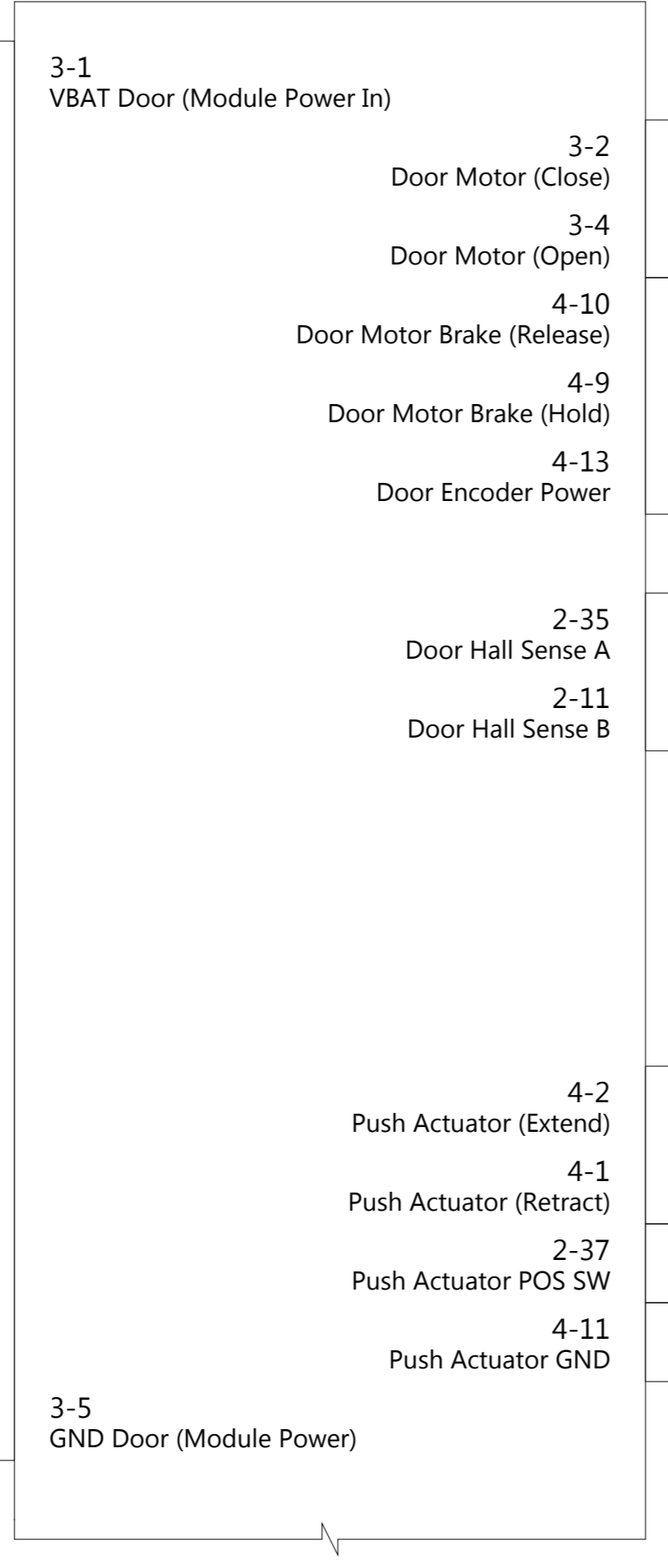
**Power Door Drive Unit LF D**  
X385



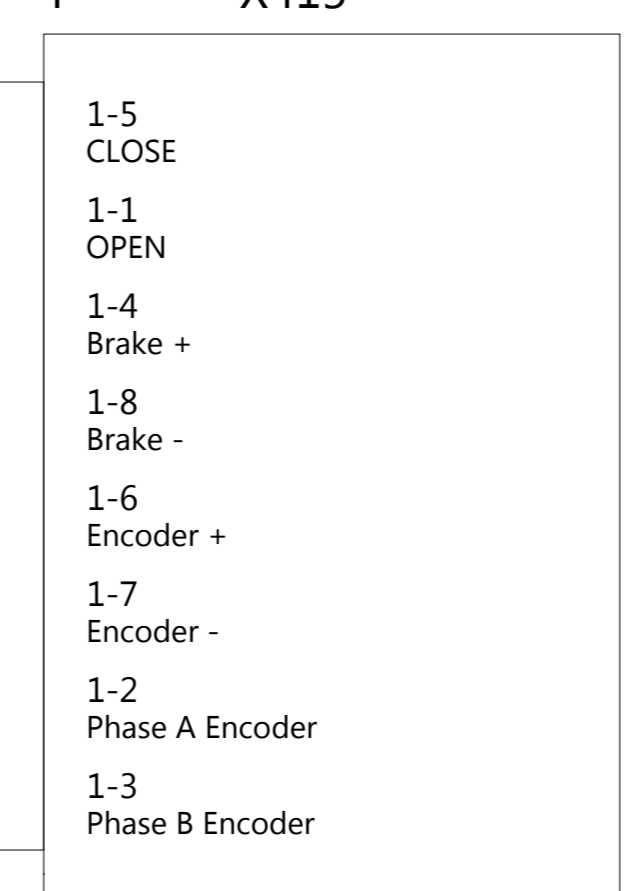
**Power Door Push-Open LF D**  
X386



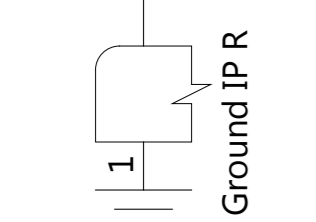
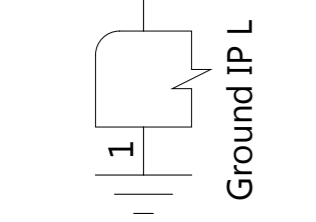
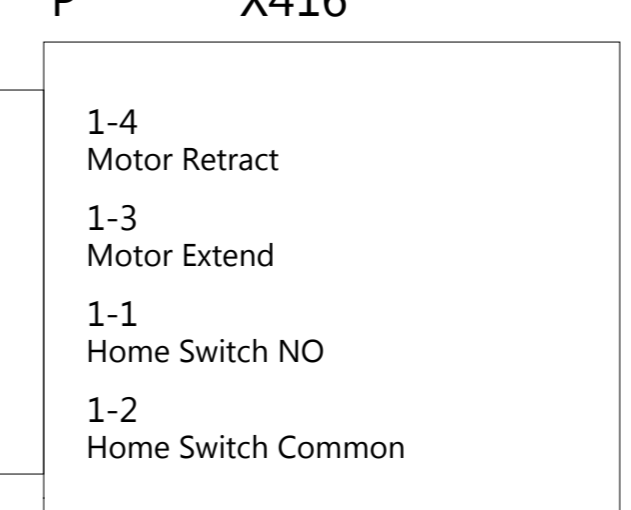
**Door Control Module RF (BCFPM) DV3**  
P X390 X391 X392 X393



**Power Door Drive Unit RF P**  
X415

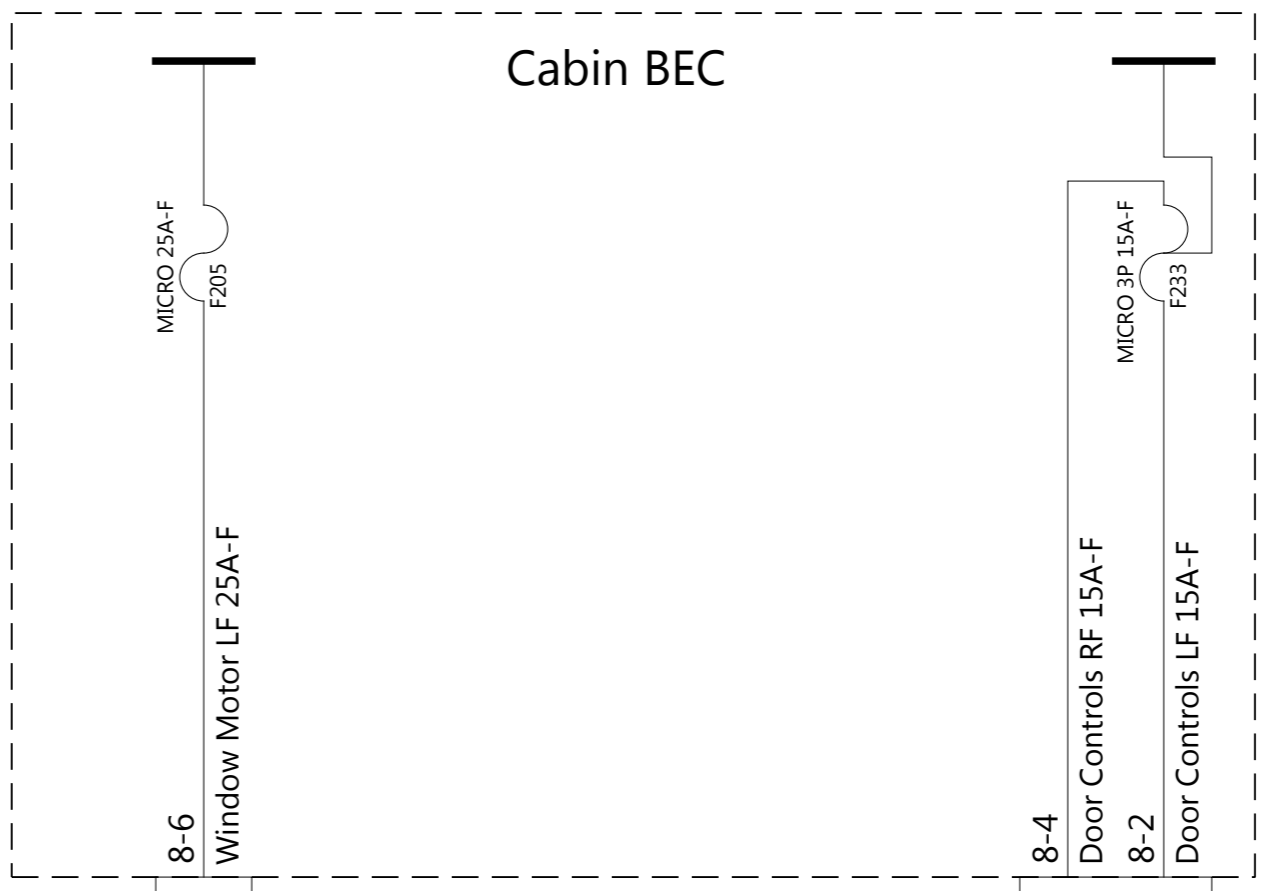
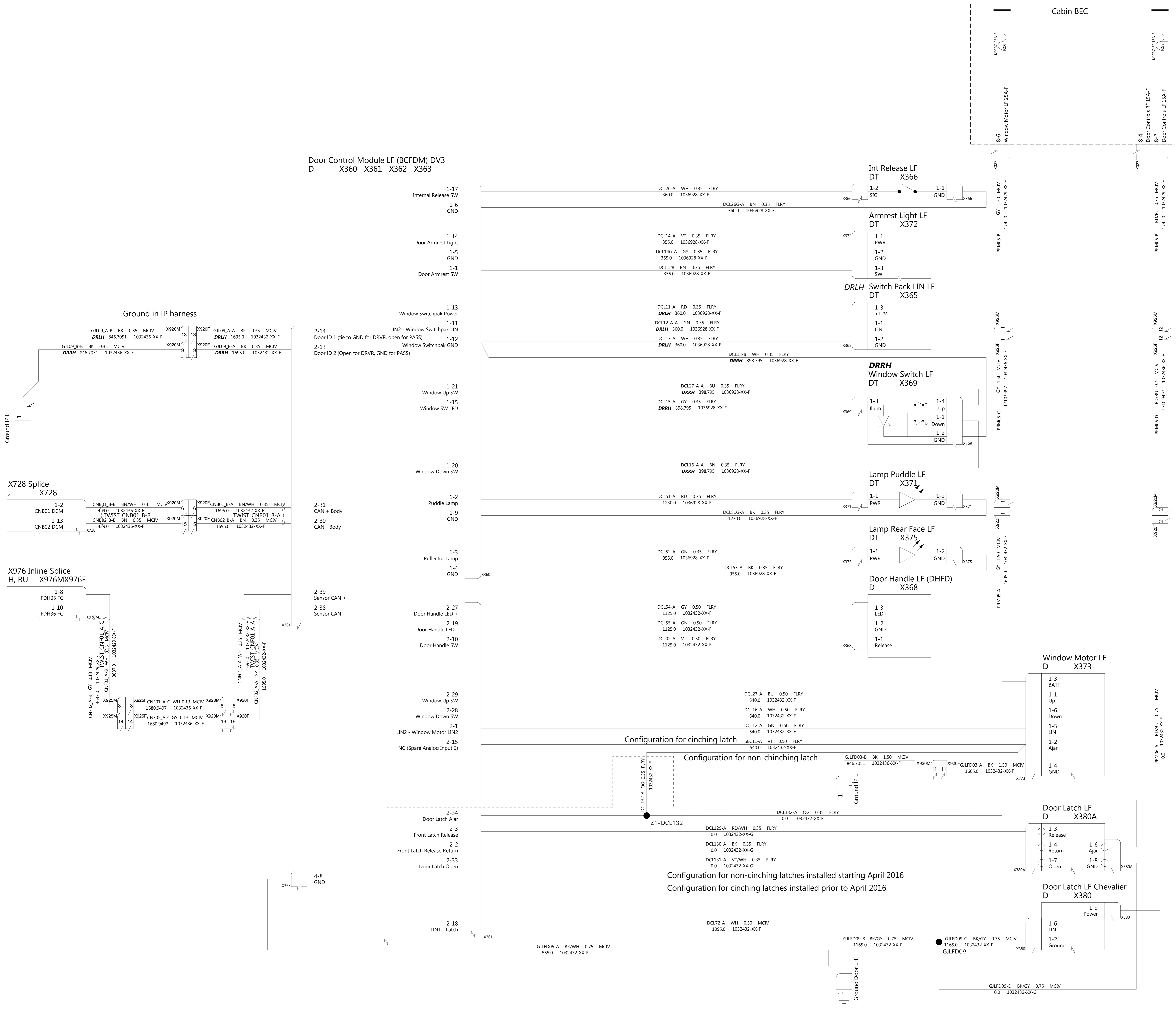


**Power Door Push-Open RF P**  
X416



THE INFORMATION CONTAINED HEREIN IS DEEMED TO BE CONFIDENTIAL, PROPRIETARY, AND A TRADE SECRET OF TESLA MOTORS. THIS INFORMATION MAY NOT BE USED, REPRODUCED, OR DISCLOSED AS THE DIRECT OR INDIRECT BASIS FOR THE DEVELOPMENT, MANUFACTURE, OR SALE OF PROCESSES OR PRODUCTS WITHOUT THE EXPRESSED WRITTEN CONSENT OF TESLA MOTORS.

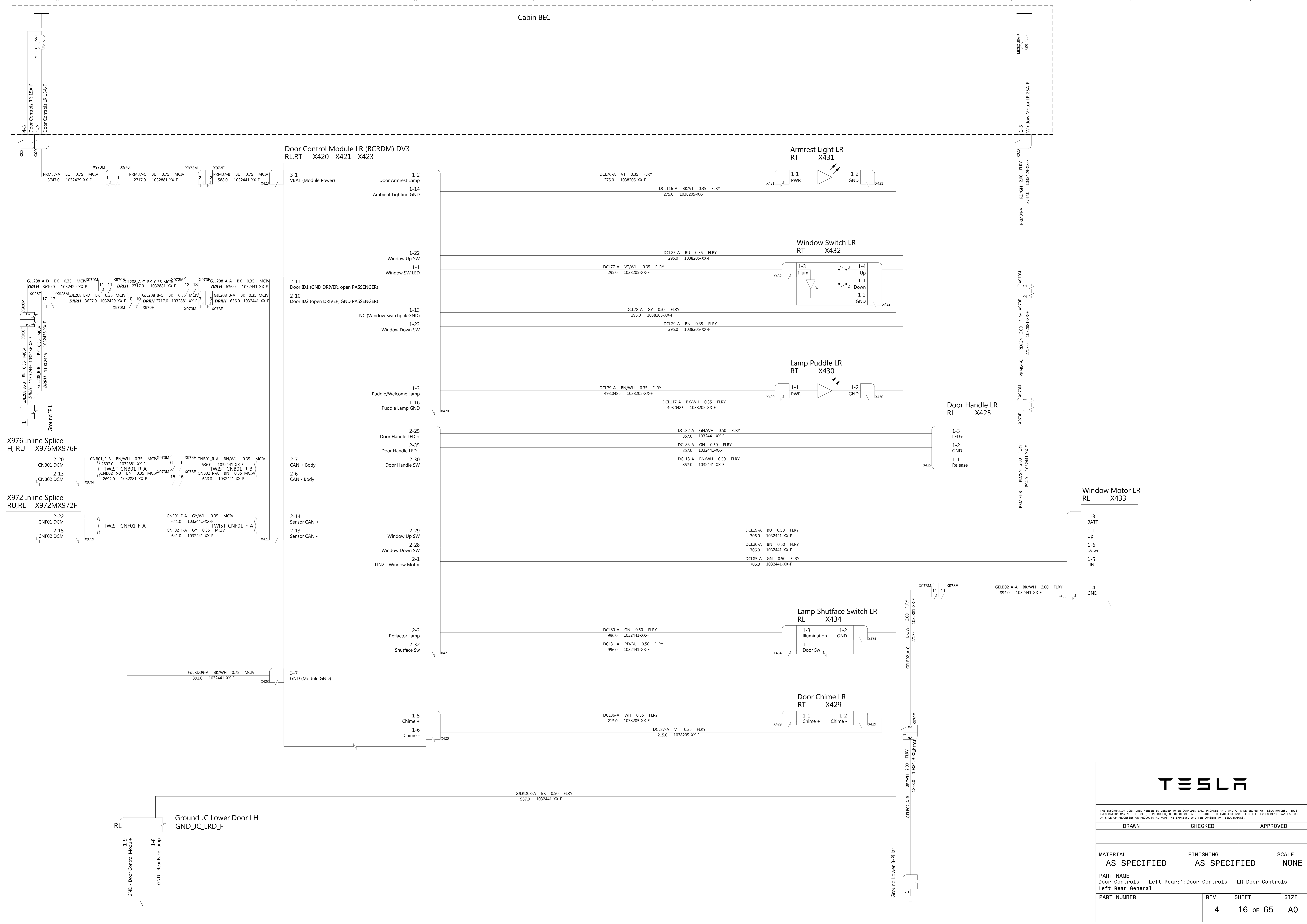
DRAWN	CHECKED	APPROVED
MATERIAL AS SPECIFIED	FINISHING AS SPECIFIED	SCALE NONE
PART NAME Door Controls - Front Actuators:1:Door Controls - Front Actuators-Door Controls - Front Actuators		
PART NUMBER	REV	SHEET
	4	14 of 65
		SIZE A0



<b>TESLA</b>			
THE INFORMATION CONTAINED HEREIN IS DEEMED TO BE CONFIDENTIAL, PROPRIETARY, AND A TRADE SECRET OF TESLA MOTORS. THIS INFORMATION MAY NOT BE USED, REPRODUCED, OR DISCLOSED AS THE DIRECT OR INDIRECT BASIS FOR THE DEVELOPMENT, MANUFACTURE, OR SALE OF PROCESSES OR PRODUCTS WITHOUT THE EXPRESSED WRITTEN CONSENT OF TESLA MOTORS.			
DRAWN	CHECKED	APPROVED	
MATERIAL AS SPECIFIED	FINISHING AS SPECIFIED	SCALE NONE	
PART NAME Door Controls - Left Front:::Door Controls - LF (DV3)-Door Controls - Left Front			
PART NUMBER	REV	SHEET	SIZE
	4	15 OF 65	A0

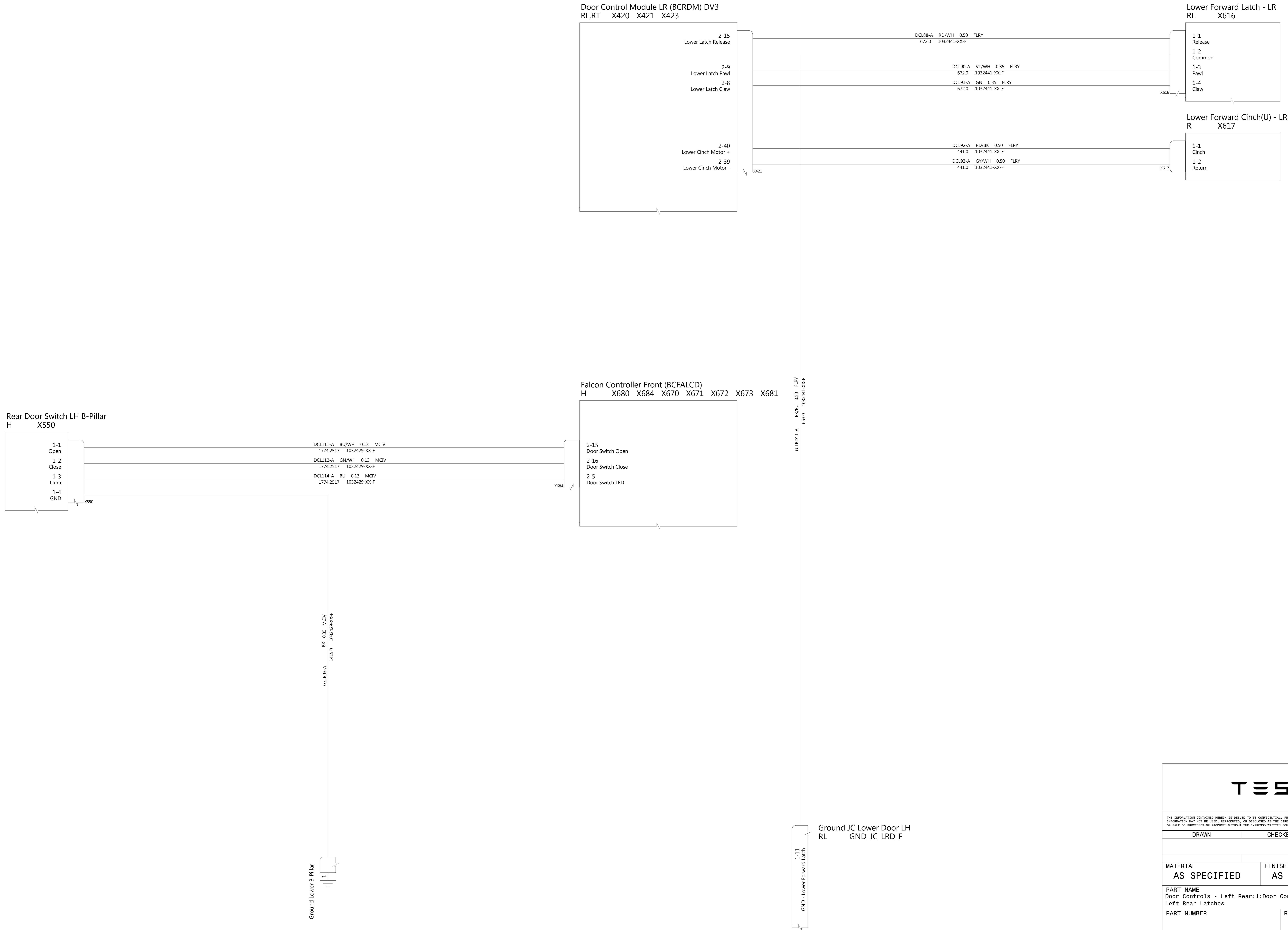


Cabin BEC



THE INFORMATION CONTAINED HEREIN IS DEEMED TO BE CONFIDENTIAL, PROPRIETARY, AND A TRADE SECRET OF TESLA MOTORS. THIS INFORMATION MAY NOT BE USED, REPRODUCED, OR DISCLOSED AS THE DIRECT OR INDIRECT BASIS FOR THE DEVELOPMENT, MANUFACTURE, OR SALE OF PROCESSES OR PRODUCTS WITHOUT THE EXPRESSED WRITTEN CONSENT OF TESLA MOTORS.

DRAWN	CHECKED	APPROVED
MATERIAL AS SPECIFIED	FINISHING AS SPECIFIED	SCALE NONE
PART NAME Door Controls - Left Rear:1:Door Controls - LR-Door Controls - Left Rear General		
PART NUMBER	REV	SHEET SIZE
	4	16 OF 65 A0



**TESLA**

THE INFORMATION CONTAINED HEREIN IS DEEMED TO BE CONFIDENTIAL, PROPRIETARY, AND A TRADE SECRET OF TESLA MOTORS. THIS INFORMATION MAY NOT BE USED, REPRODUCED, OR DISCLOSED AS THE DIRECT OR INDIRECT BASIS FOR THE DEVELOPMENT, MANUFACTURE, OR SALE OF PROCESSES OR PRODUCTS WITHOUT THE EXPRESSED WRITTEN CONSENT OF TESLA MOTORS.

DRAWN	CHECKED	APPROVED

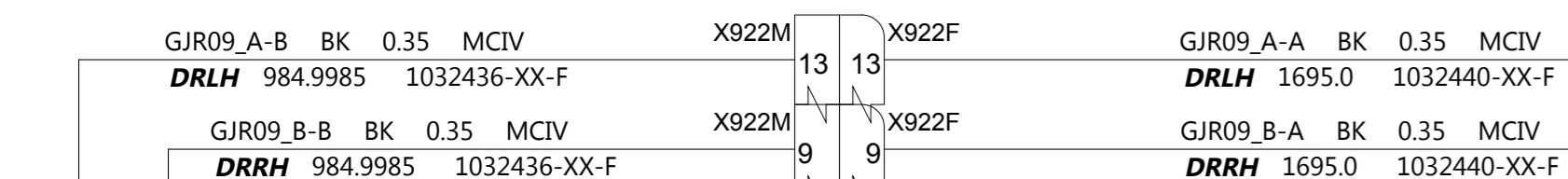
MATERIAL AS SPECIFIED	FINISHING AS SPECIFIED	SCALE NONE
--------------------------	---------------------------	---------------

PART NAME  
Door Controls - Left Rear:1:Door Controls - LR-Door Controls - Left Rear Latches

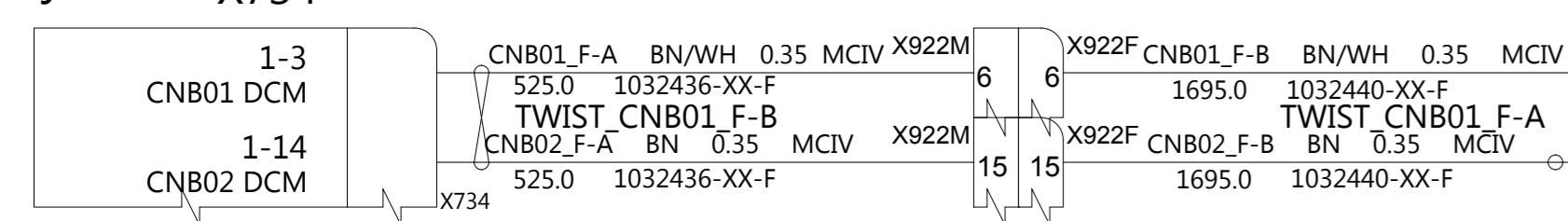
PART NUMBER	REV	SHEET	SIZE
	4	17 OF 65	A0

Door Control Module RF (BCFPM) DV3  
P X390 X391 X392 X393

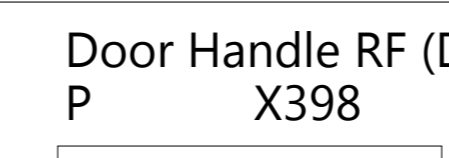
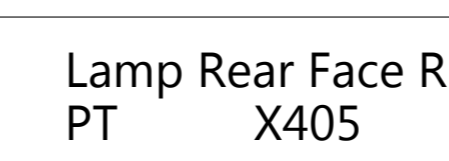
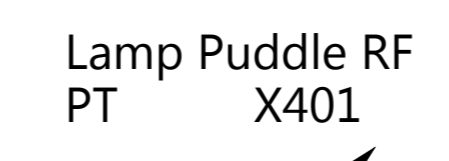
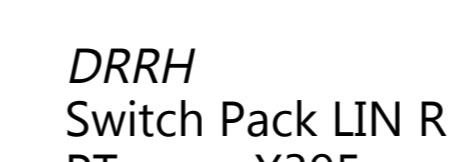
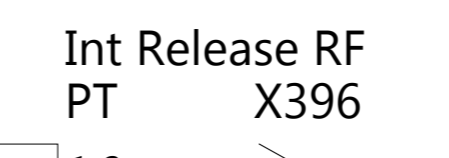
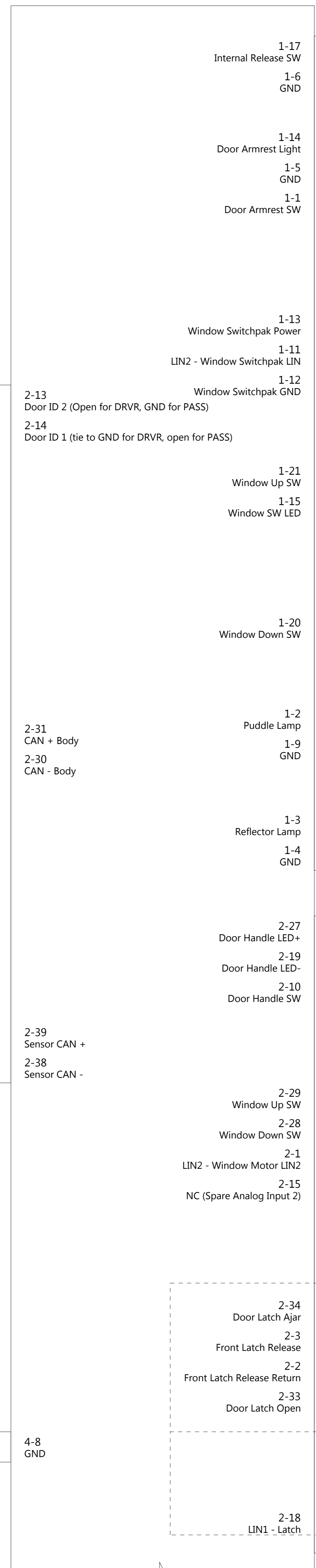
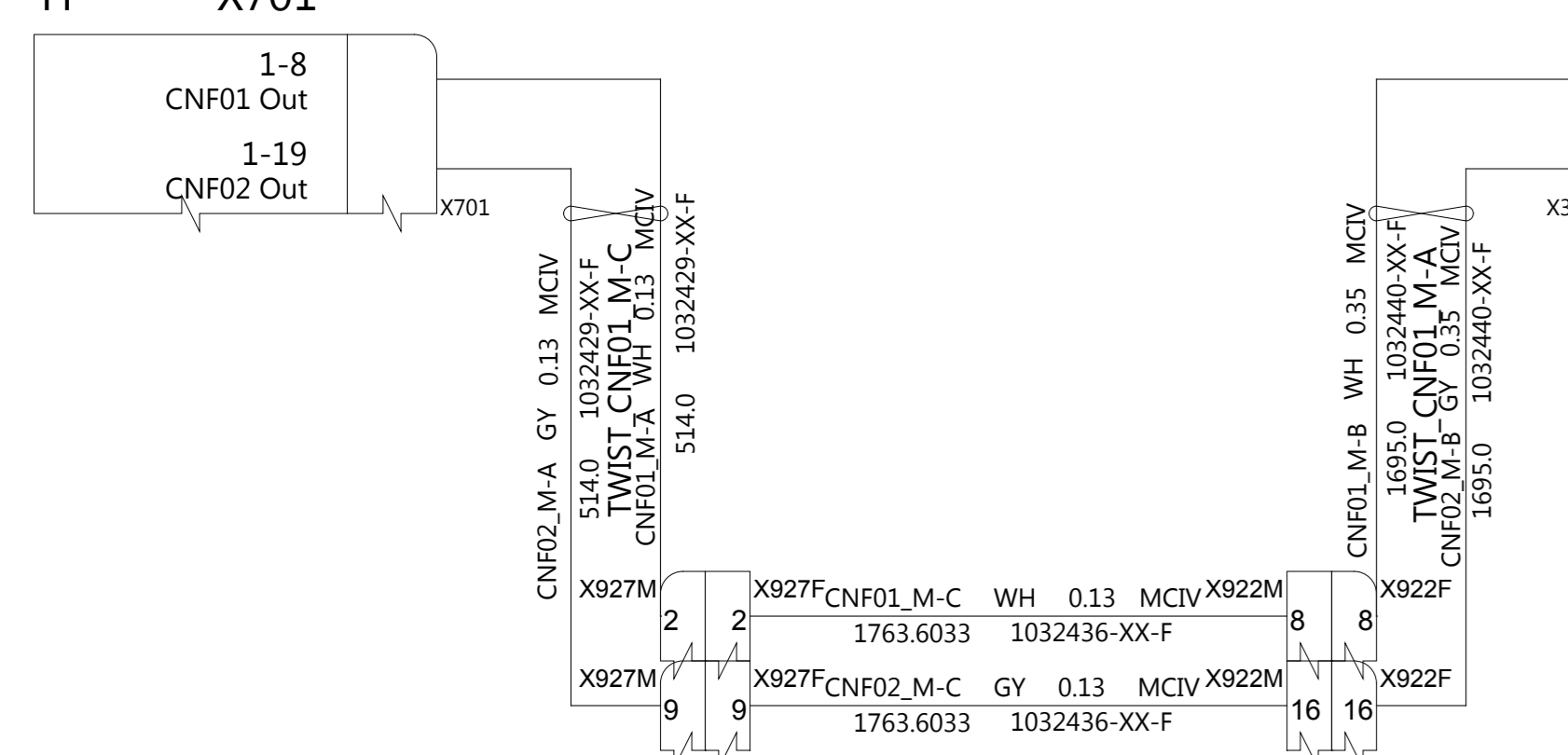
Ground in IP harness



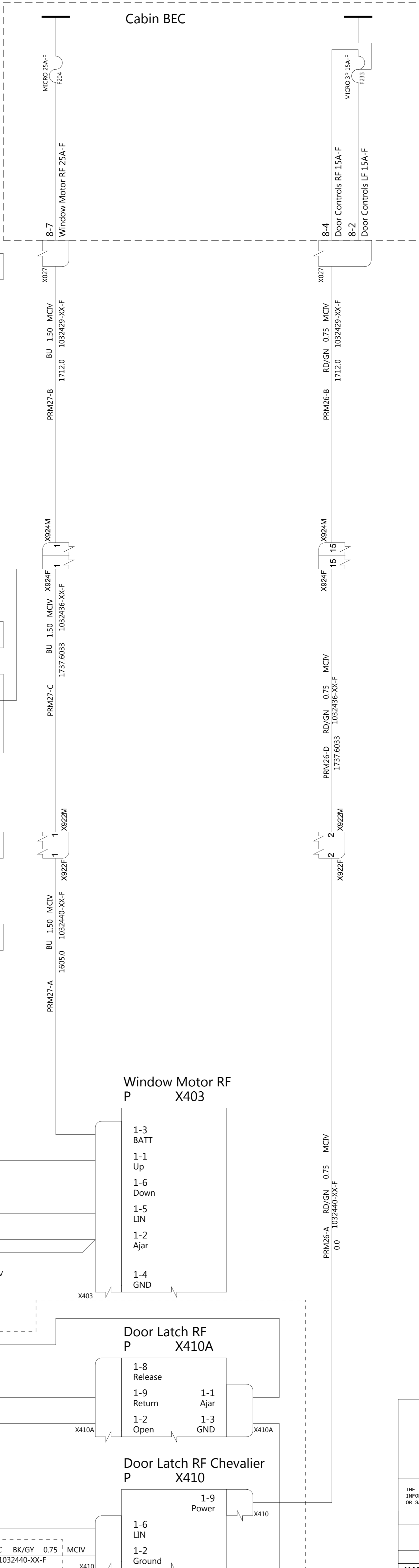
X734 Splice  
J X734



X701 Splice  
H X701



Cabin BEC



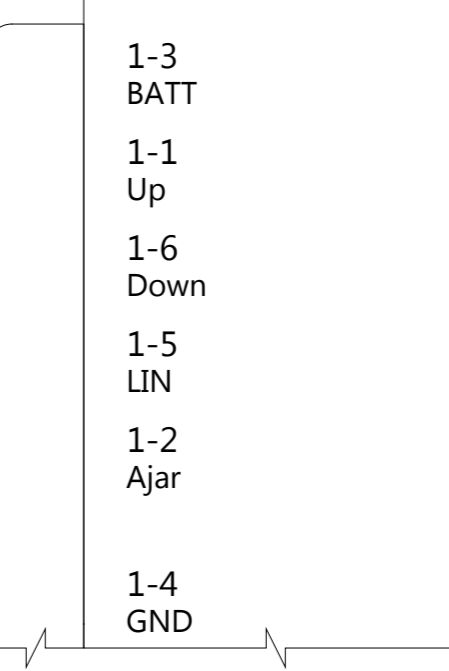
Configuration for cinching latch

Configuration for non-cinching latch

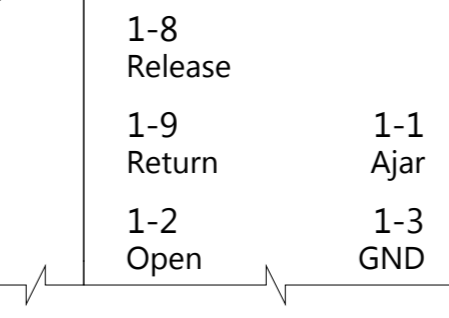


Configuration for non-cinching latches installed starting April 2016  
Configuration for cinching latches installed prior to April 2016

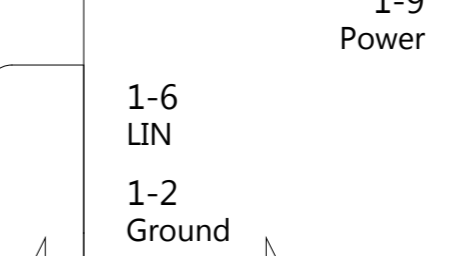
Window Motor RF  
P X403



Door Latch RF  
P X410A



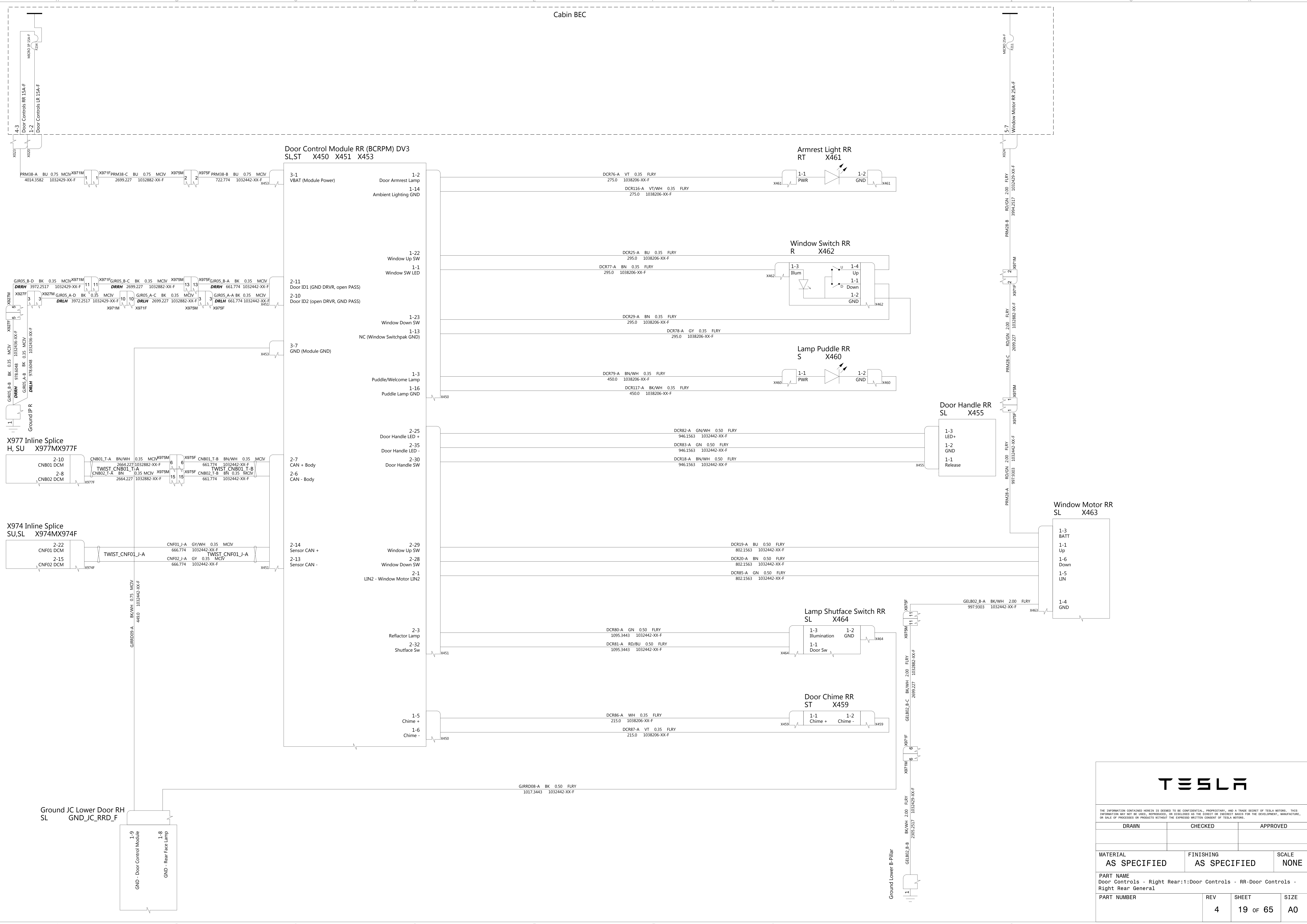
Door Latch RF Chevalier  
P X410



THE INFORMATION CONTAINED HEREIN IS DEEMED TO BE CONFIDENTIAL, PROPRIETARY, AND A TRADE SECRET OF TESLA MOTORS. THIS INFORMATION MAY NOT BE USED, REPRODUCED, OR DISCLOSED AS THE DIRECT OR INDIRECT BASIS FOR THE DEVELOPMENT, MANUFACTURE, OR SALE OF PROCESSES OR PRODUCTS WITHOUT THE EXPRESSED WRITTEN CONSENT OF TESLA MOTORS.

DRAWN	CHECKED	APPROVED
MATERIAL AS SPECIFIED	FINISHING AS SPECIFIED	SCALE NONE
PART NAME Door Controls - Right Front:1:Door Controls - RF (DV3)-Door Controls - Right Front		
PART NUMBER	REV	SHEET
	4	18 of 65
		SIZE A0

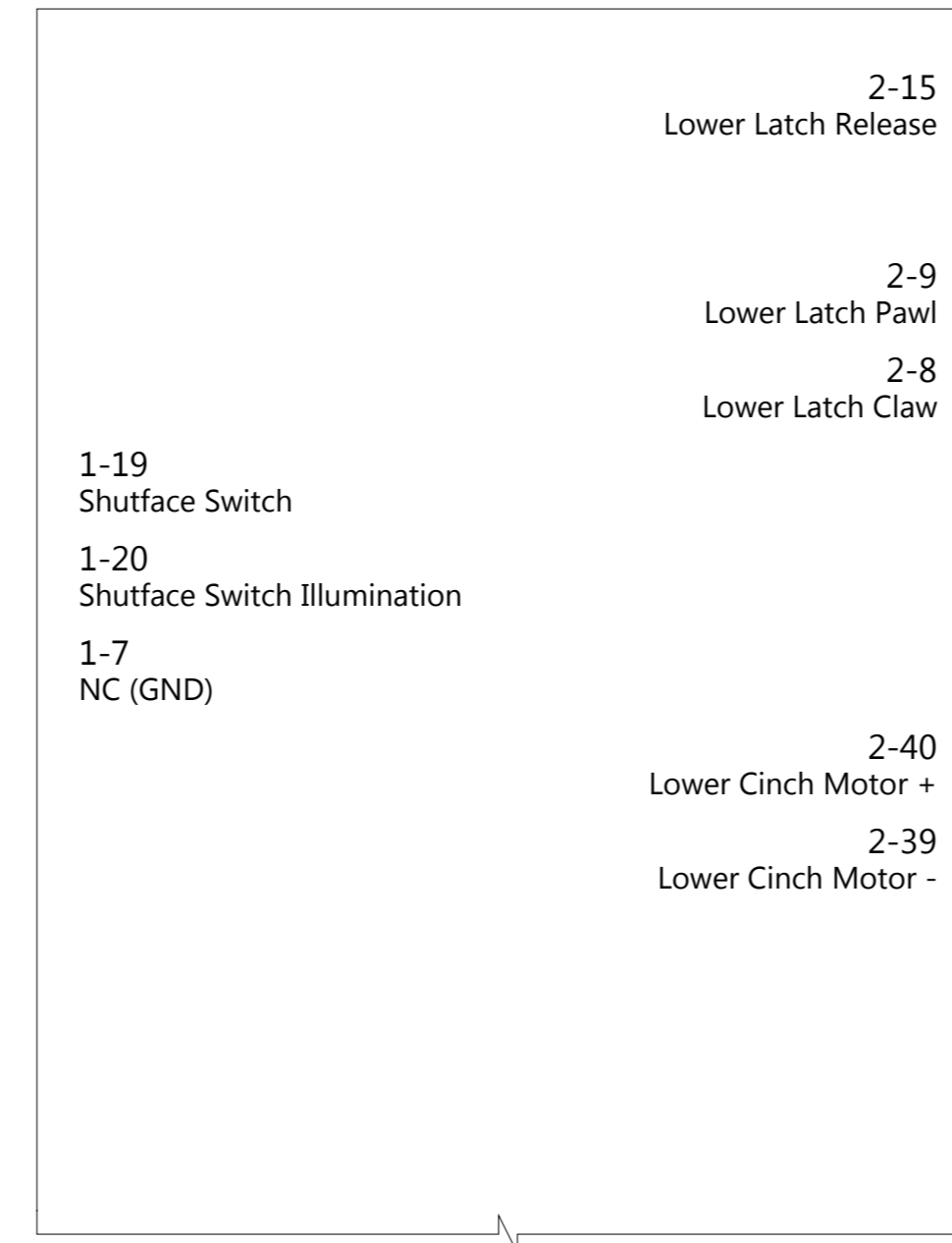
Cabin BEC



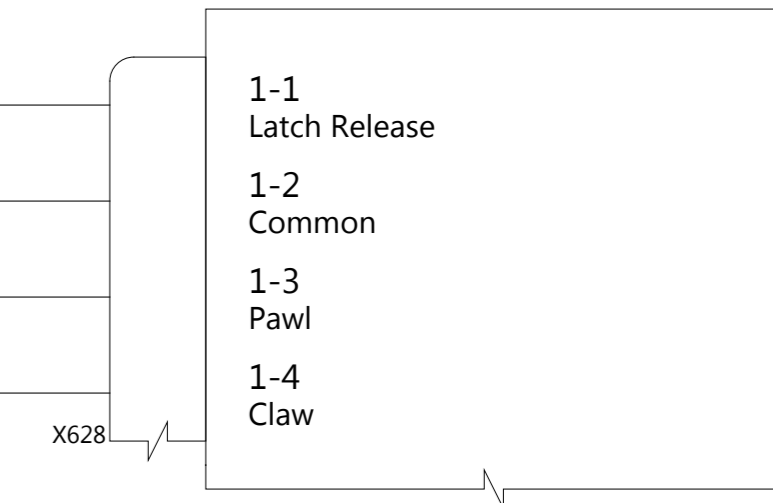
THE INFORMATION CONTAINED HEREIN IS DEEMED TO BE CONFIDENTIAL, PROPRIETARY, AND A TRADE SECRET OF TESLA MOTORS. THIS INFORMATION MAY NOT BE USED, REPRODUCED, OR DISCLOSED AS THE DIRECT OR INDIRECT BASIS FOR THE DEVELOPMENT, MANUFACTURE, OR SALE OF PROCESSES OR PRODUCTS WITHOUT THE EXPRESSED WRITTEN CONSENT OF TESLA MOTORS.

DRAWN	CHECKED	APPROVED
MATERIAL AS SPECIFIED	FINISHING AS SPECIFIED	SCALE NONE
PART NAME Door Controls - Right Rear:1:Door Controls - RR-Door Controls - Right Rear General		
PART NUMBER	REV 4	SHEET 19 OF 65
		SIZE A0

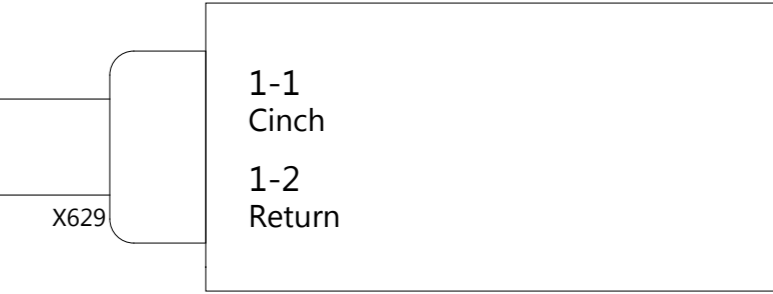
Door Control Module RR (BCRPM) DV3  
SL,ST X450 X451 X453



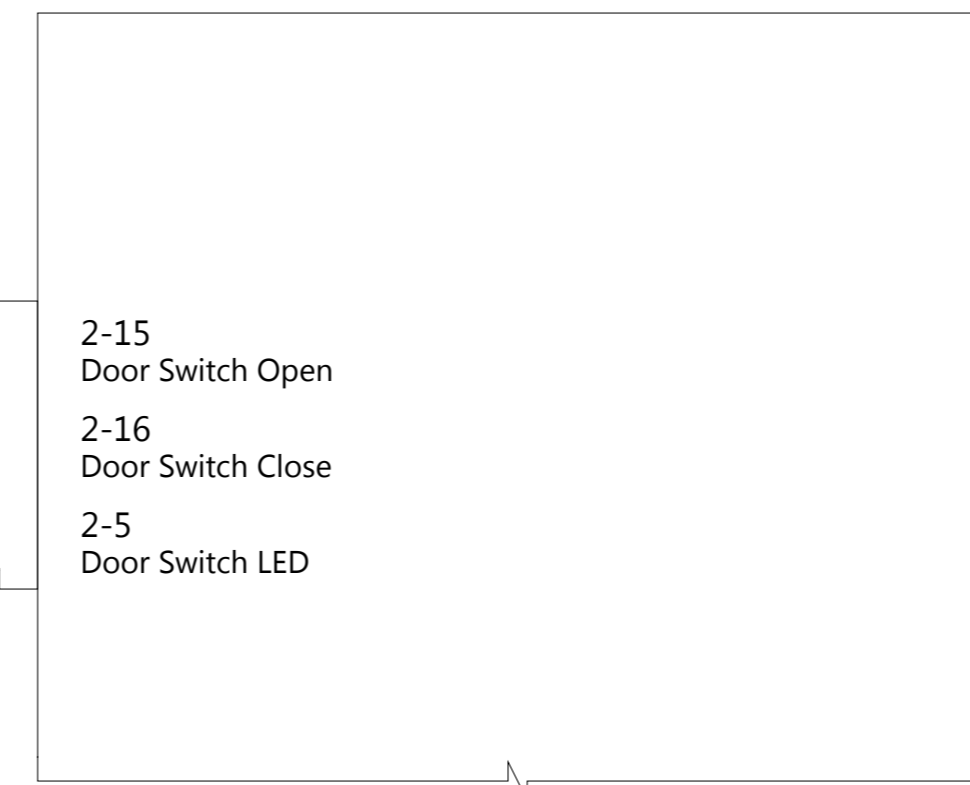
Lower Forward Latch - RR  
RL X628



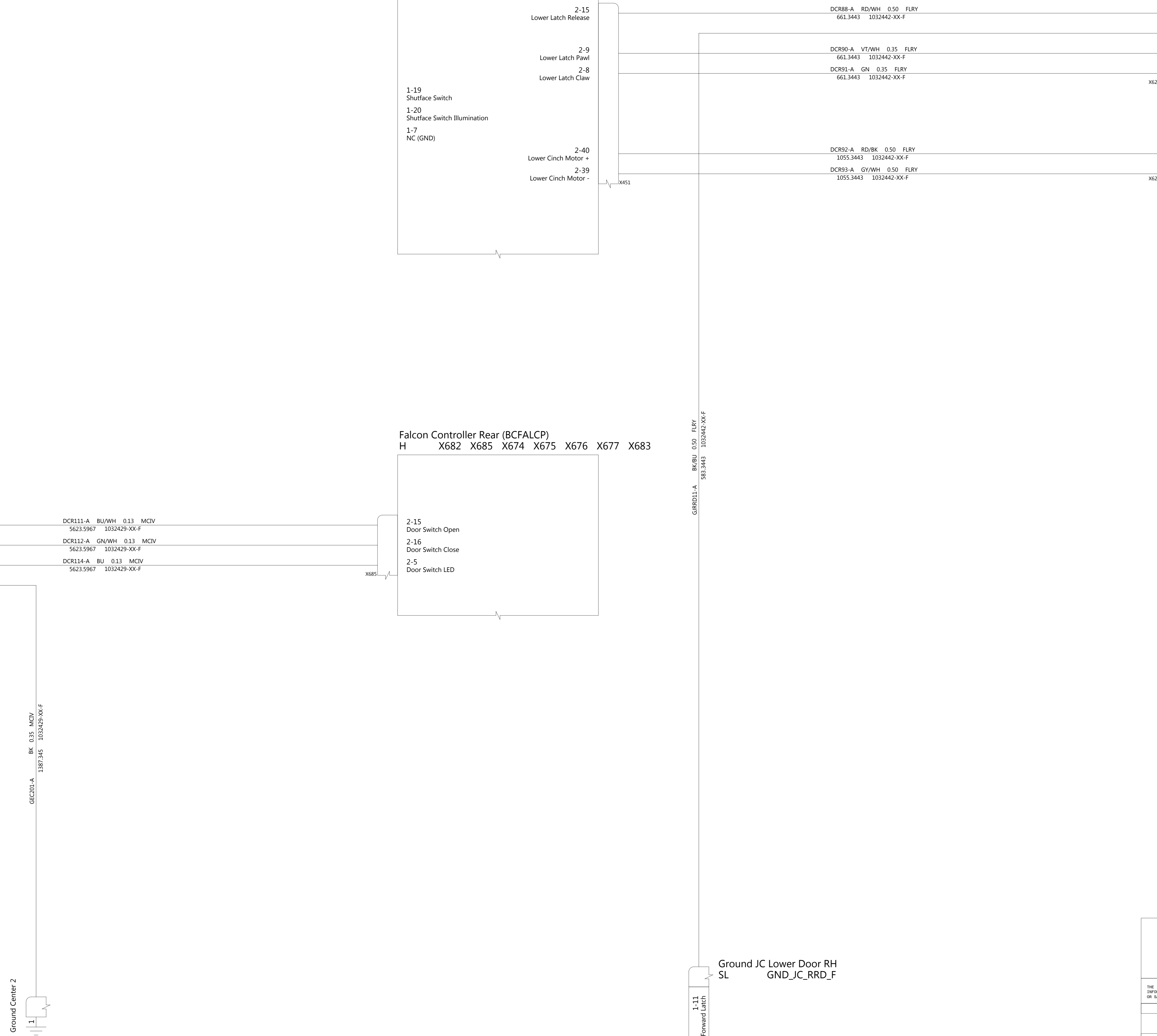
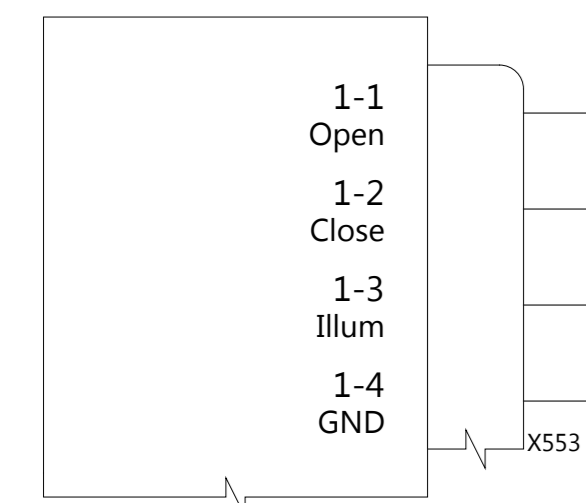
Lower Forward Cinch(U) - RR  
SL X629



Falcon Controller Rear (BCFALCP)  
H X682 X685 X674 X675 X676 X677 X683



Rear Door Switch RH B-Pillar  
H X553



TESLA

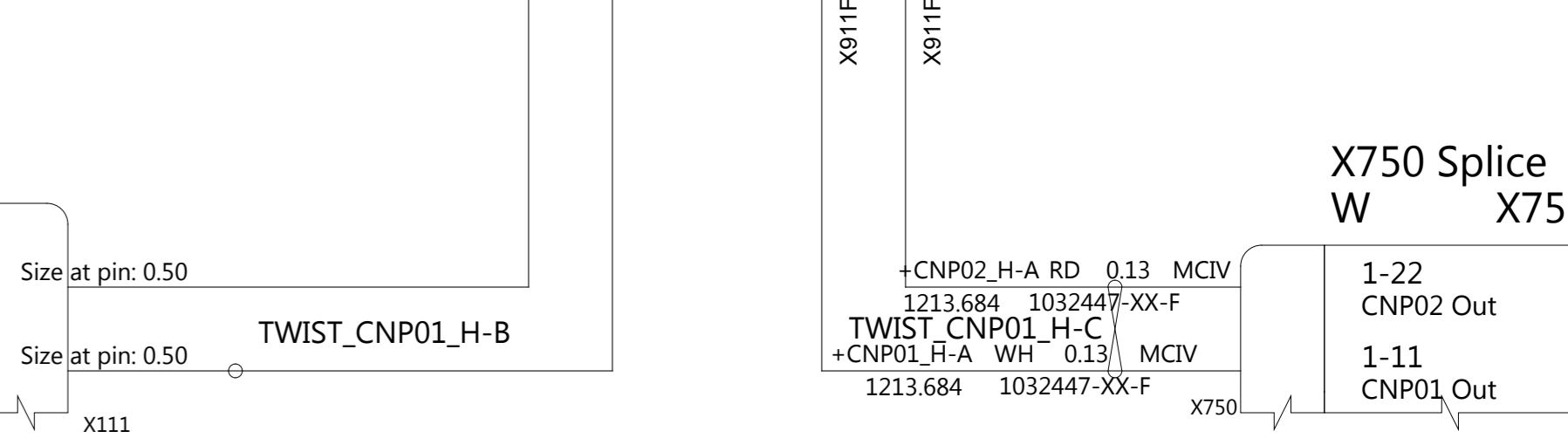
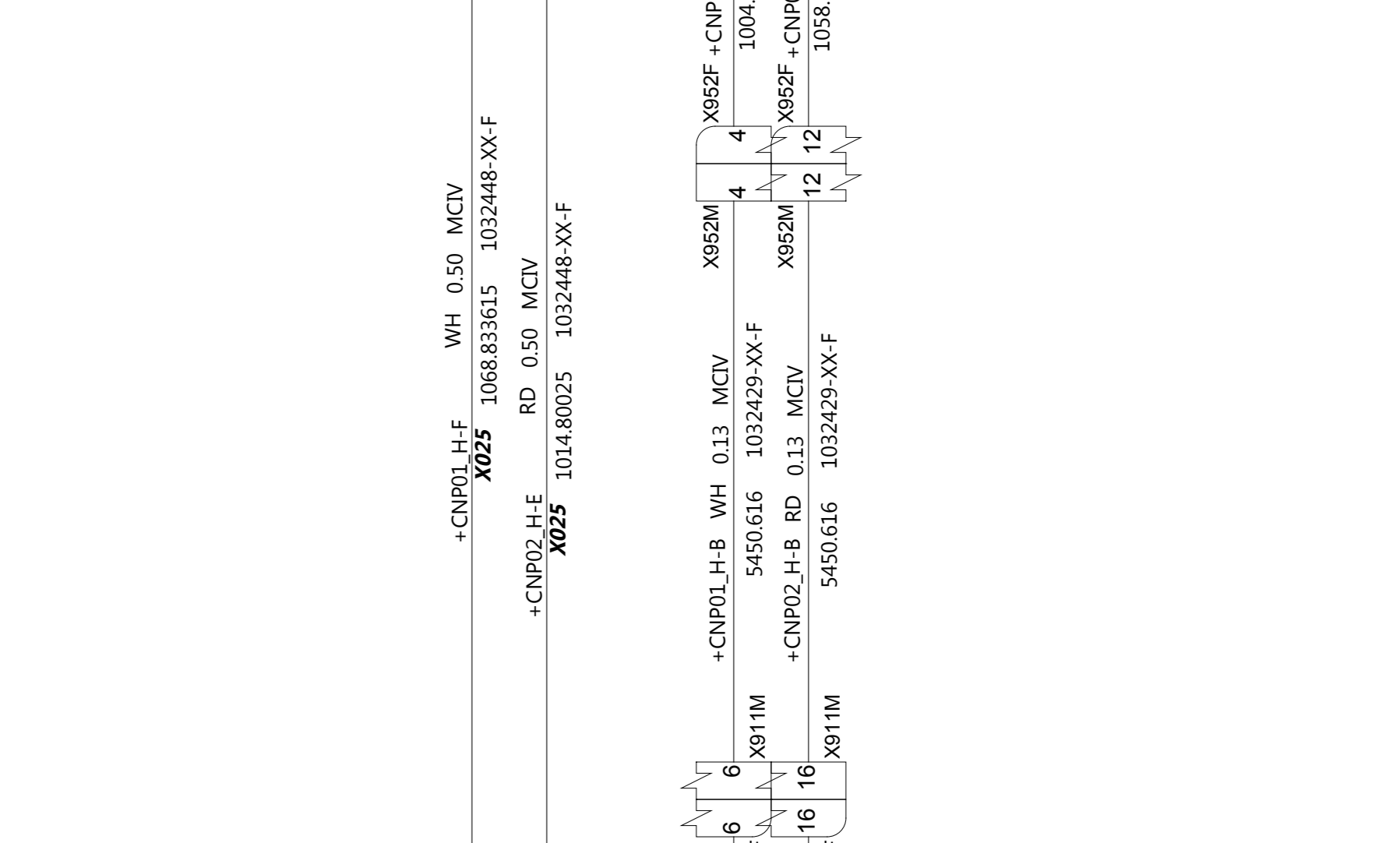
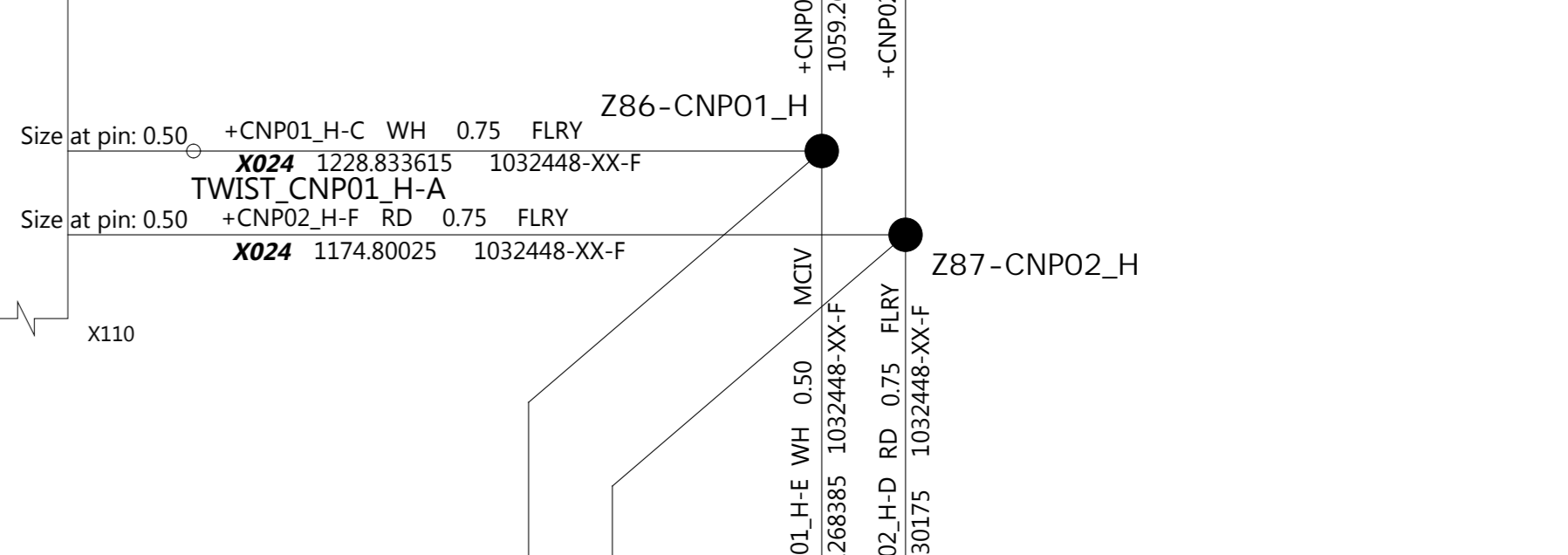
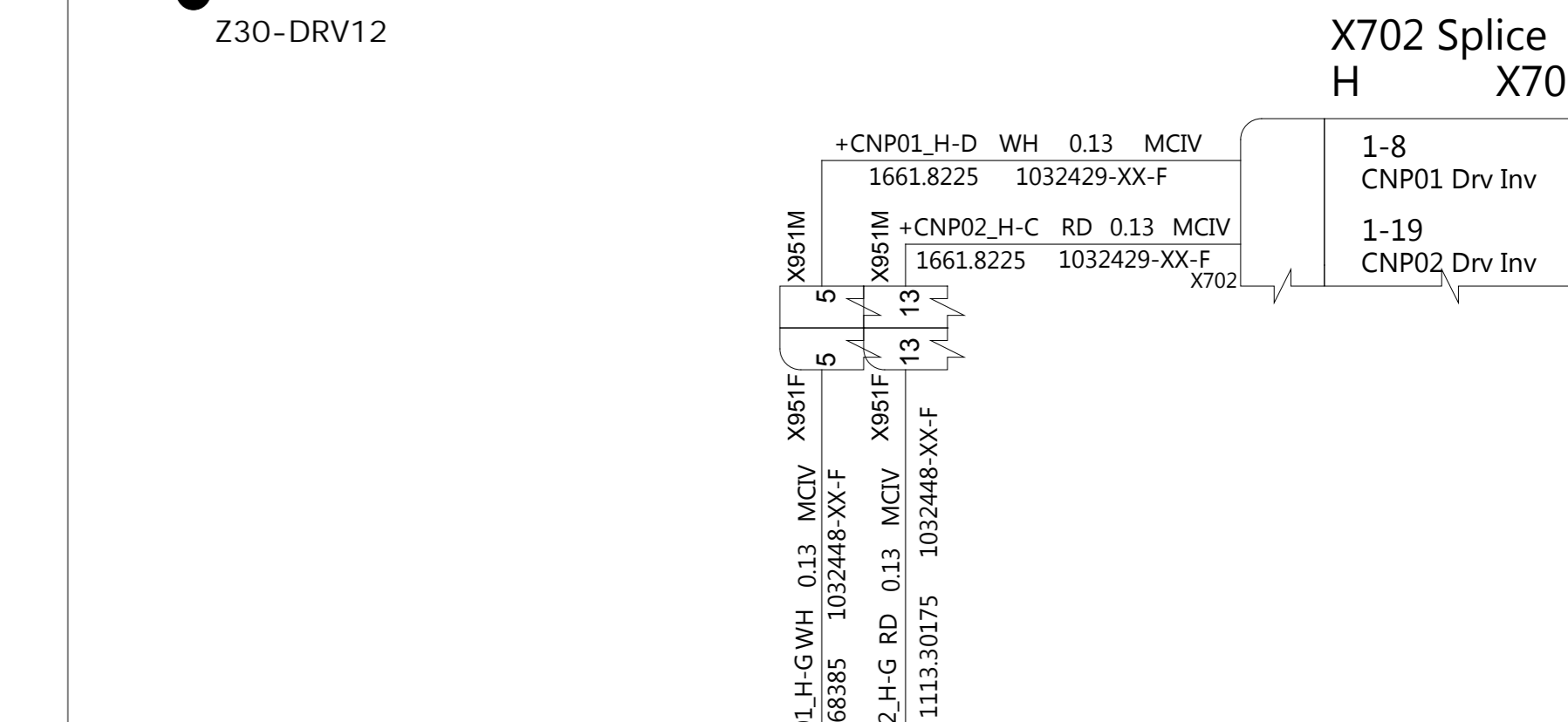
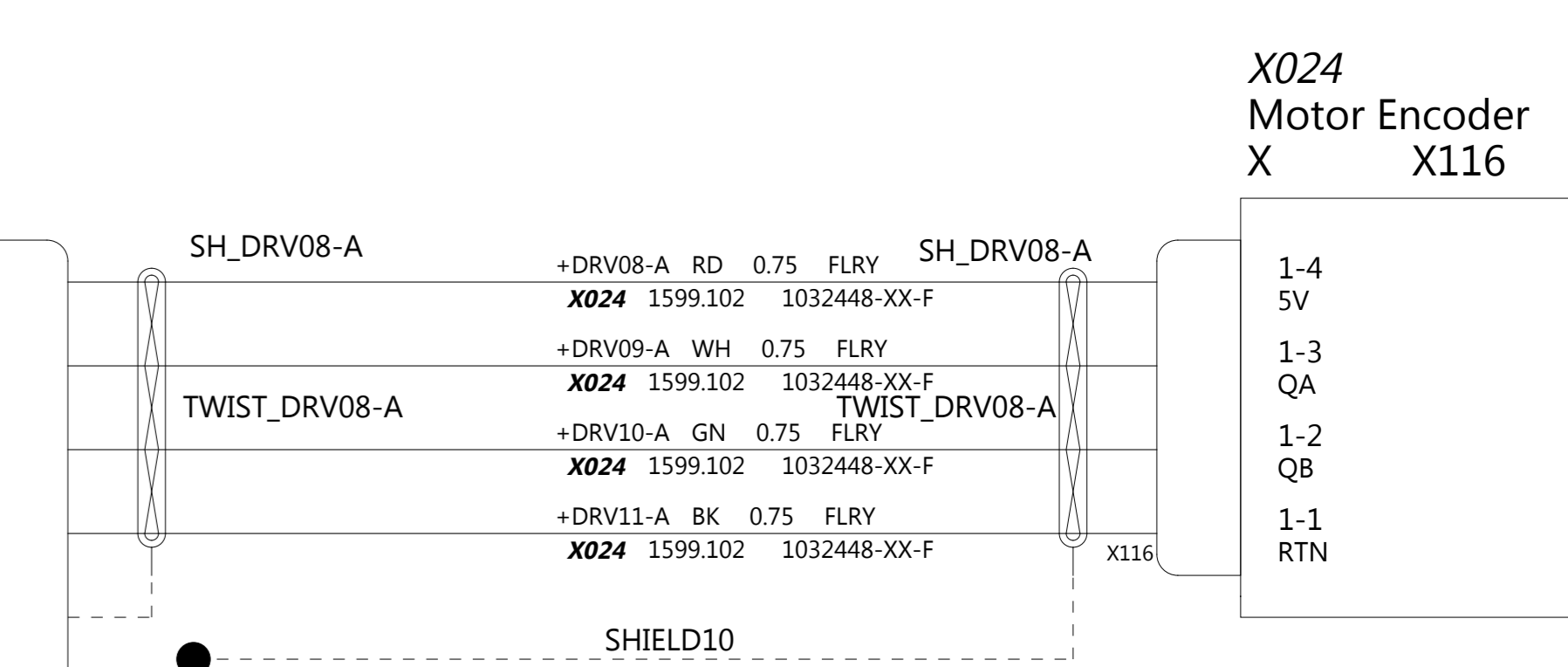
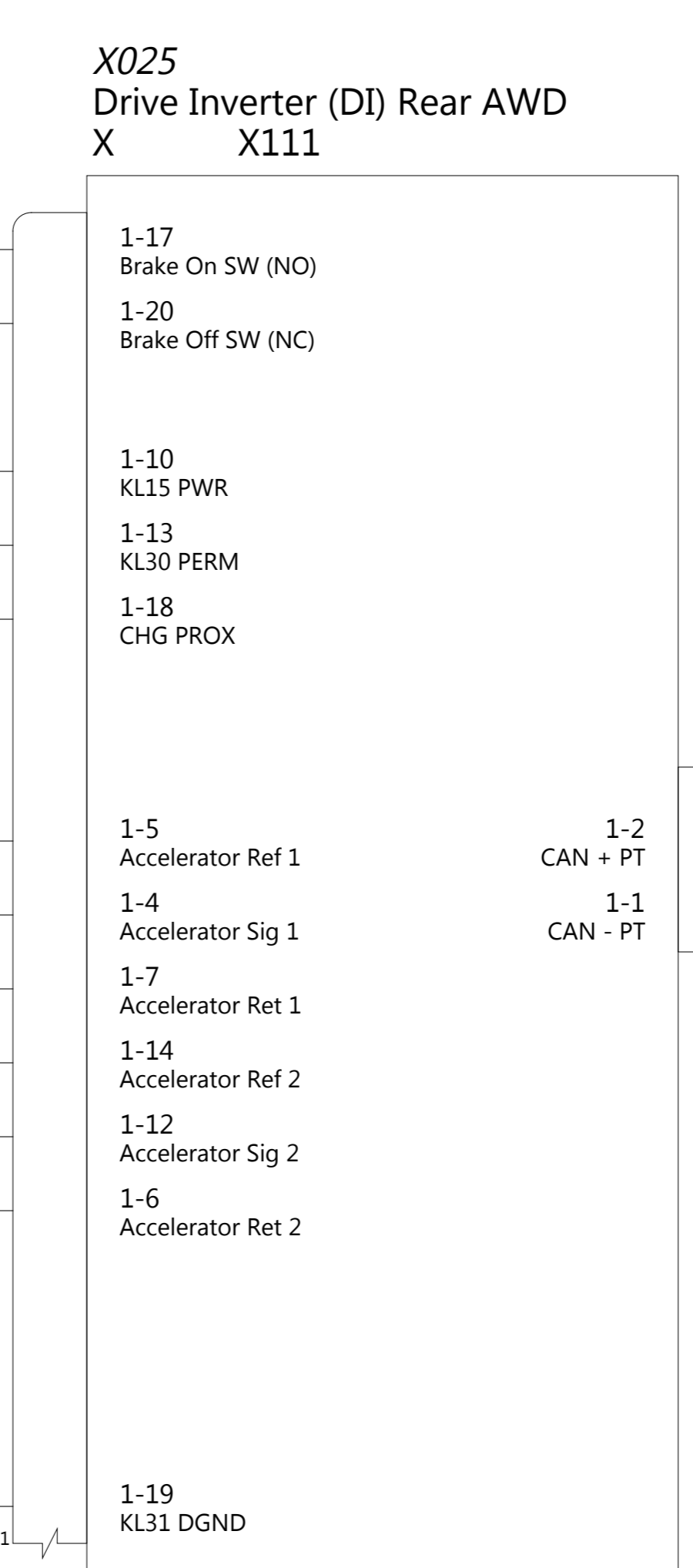
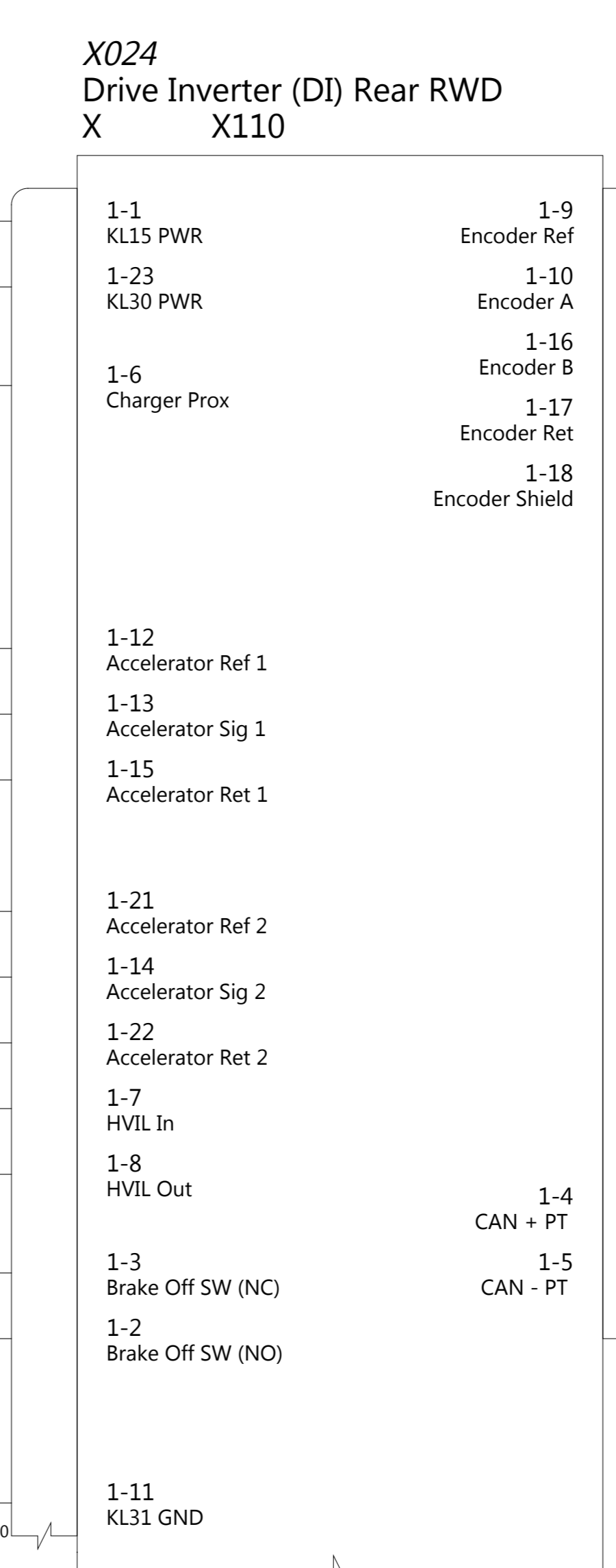
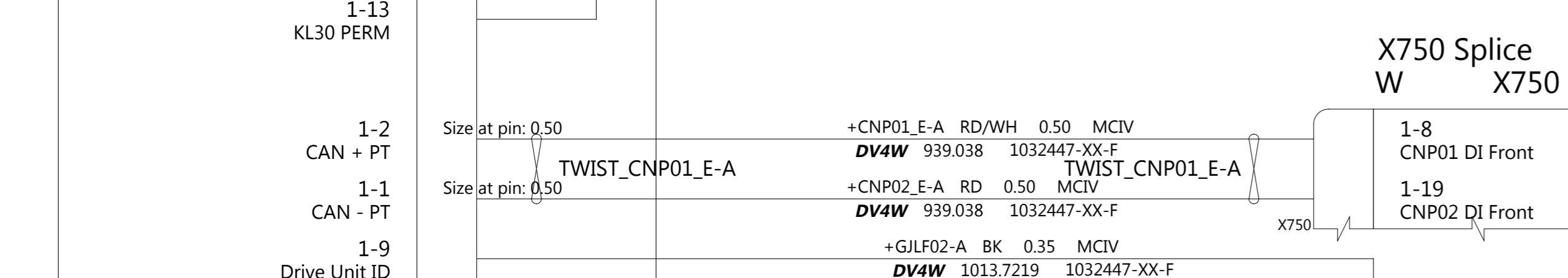
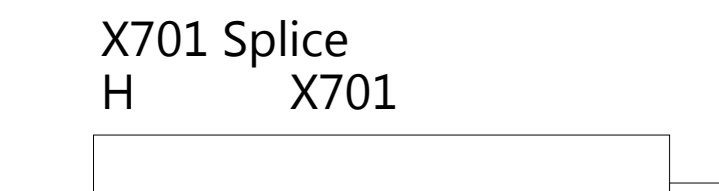
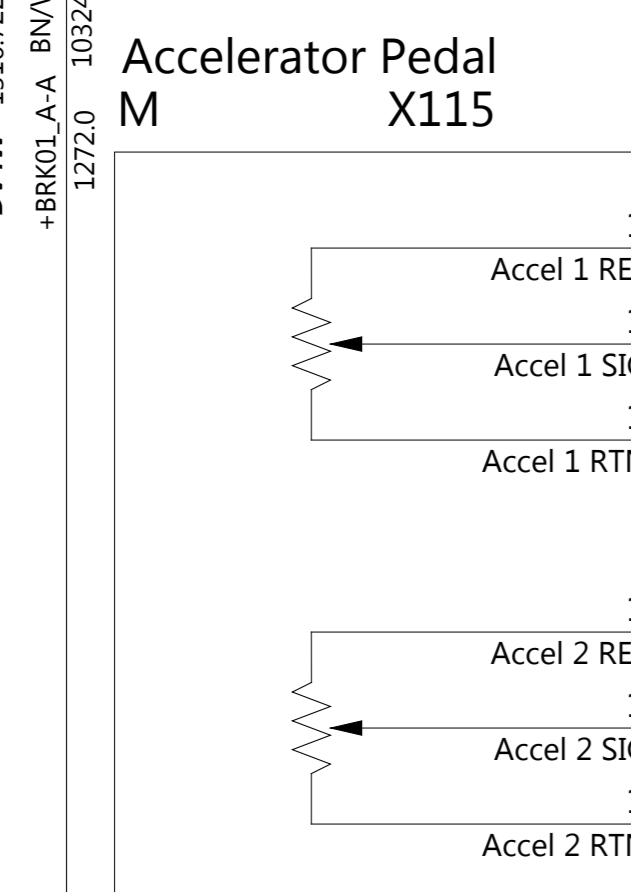
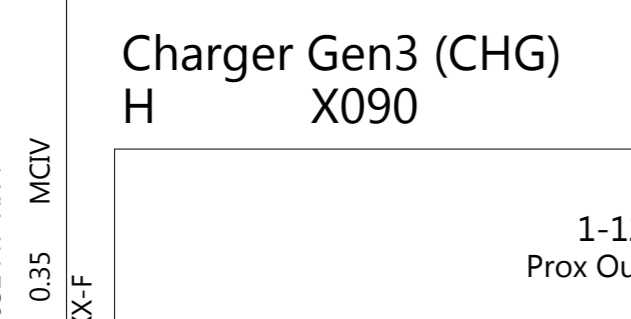
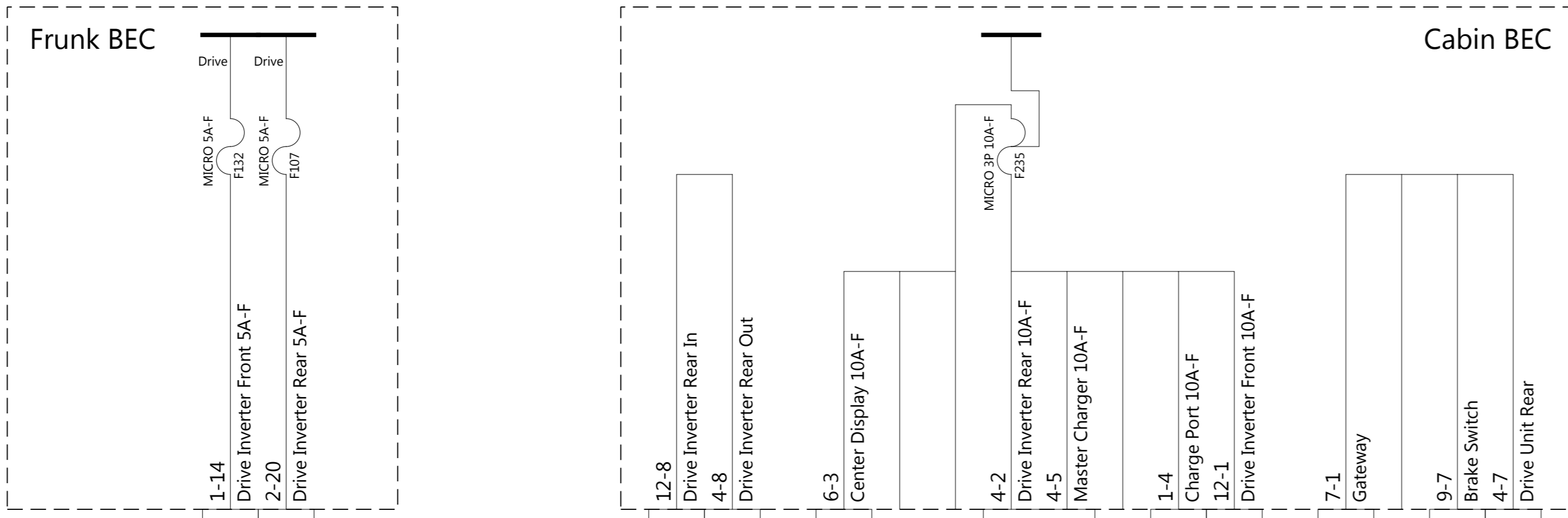
THE INFORMATION CONTAINED HEREIN IS DEEMED TO BE CONFIDENTIAL, PROPRIETARY, AND A TRADE SECRET OF TESLA MOTORS. THIS INFORMATION MAY NOT BE USED, REPRODUCED, OR DISCLOSED AS THE DIRECT OR INDIRECT BASIS FOR THE DEVELOPMENT, MANUFACTURE, OR SALE OF PROCESSES OR PRODUCTS WITHOUT THE EXPRESSED WRITTEN CONSENT OF TESLA MOTORS.

DRAWN	CHECKED	APPROVED

MATERIAL AS SPECIFIED	FINISHING AS SPECIFIED	SCALE NONE
--------------------------	---------------------------	---------------

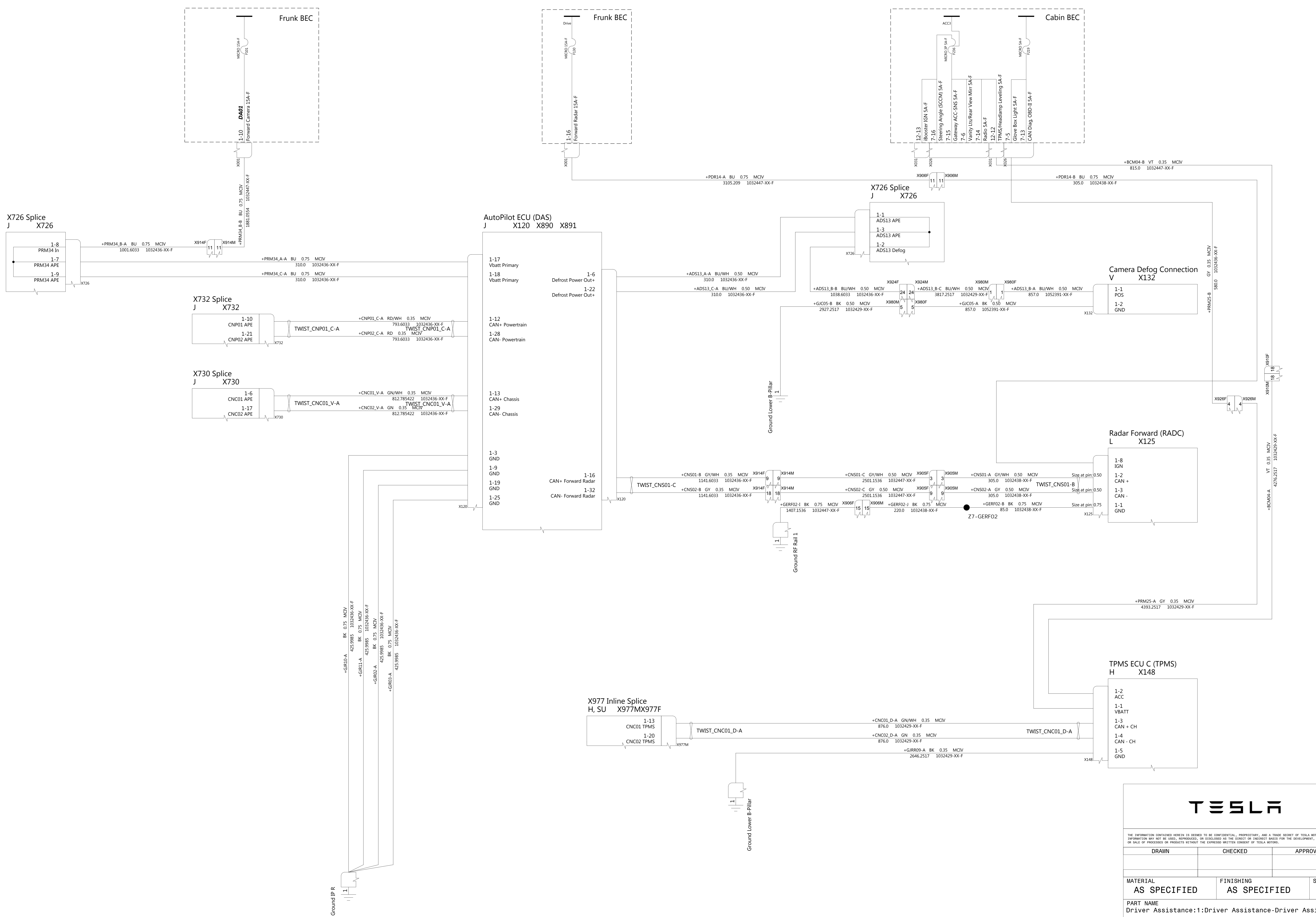
PART NAME  
Door Controls - Right Rear:1:Door Controls - RR-Door Controls - Right Rear Latches

PART NUMBER	REV	SHEET	SIZE
	4	20 OF 65	A0



THE INFORMATION CONTAINED HEREIN IS DEEMED TO BE CONFIDENTIAL, PROPRIETARY, AND A TRADE SECRET OF TESLA MOTORS. THIS INFORMATION MAY NOT BE USED, REPRODUCED, OR DISCLOSED AS THE DIRECT OR INDIRECT BASIS FOR THE DEVELOPMENT, MANUFACTURE, OR SALE OF PROCESSES OR PRODUCTS WITHOUT THE EXPRESSED WRITTEN CONSENT OF TESLA MOTORS.

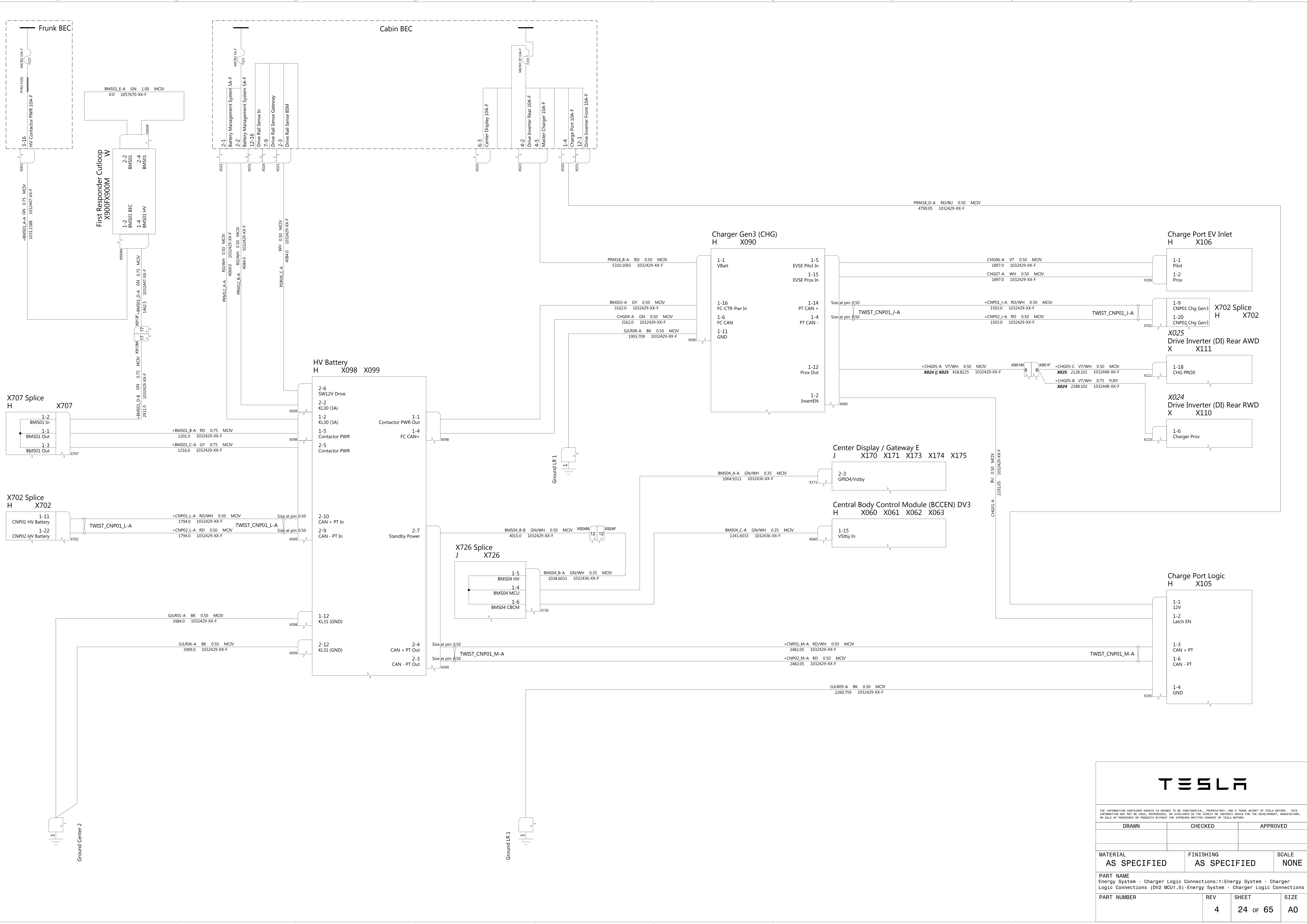
DRAWN	CHECKED	APPROVED
MATERIAL AS SPECIFIED	FINISHING AS SPECIFIED	SCALE NONE
PART NAME Drive Inverter (:1:Drive Inverter (DV2) - Rev2 Updated GNDs-Drive Inverter		
PART NUMBER	REV	SHEET
	4	21 of 65
		SIZE
		A0



**TESLA**

THE INFORMATION CONTAINED HEREIN IS DEEMED TO BE CONFIDENTIAL, PROPRIETARY, AND A TRADE SECRET OF TESLA MOTORS. THIS INFORMATION MAY NOT BE USED, REPRODUCED, OR DISCLOSED AS THE OBJECT OR INDIRECT BASIS FOR THE DEVELOPMENT, MANUFACTURE, OR SALE OF PROCESSES OR PRODUCTS WITHOUT THE EXPRESS WRITTEN CONSENT OF TESLA MOTORS.

DRAWN	CHECKED	APPROVED
MATERIAL AS SPECIFIED	FINISHING AS SPECIFIED	SCALE NONE
PART NAME Driver Assistance:1:Driver Assistance-Driver Assistance		
PART NUMBER	REV	SHEET
	4	22 of 65
		SIZE A0



THE INFORMATION CONTAINED HEREIN IS DEEMED TO BE CONFIDENTIAL, PROPRIETARY, AND A TRADE SECRET OF TESLA MOTORS. THIS INFORMATION MAY NOT BE USED, REPRODUCED, OR DISCLOSED AS THE DIRECT OR INDIRECT BASIS FOR THE DEVELOPMENT, MANUFACTURE, OR SALE OF PROCESSES OR PRODUCTS WITHOUT THE EXPRESSED WRITTEN CONSENT OF TESLA MOTORS.

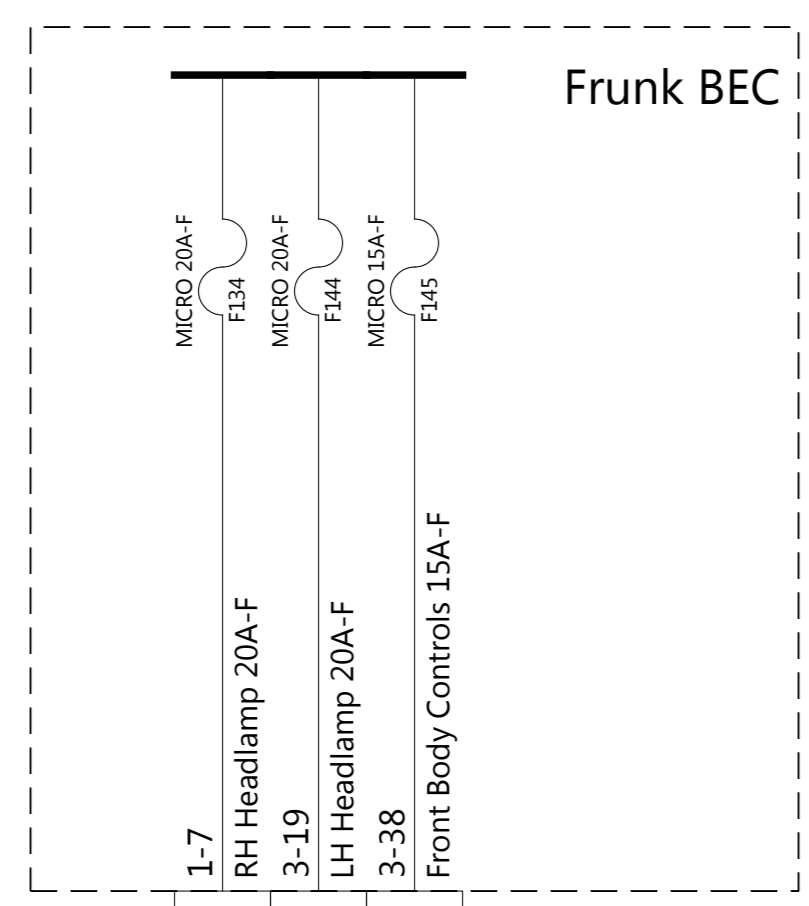
DRAWN	CHECKED	APPROVED

MATERIAL AS SPECIFIED	FINISHING AS SPECIFIED	SCALE NONE

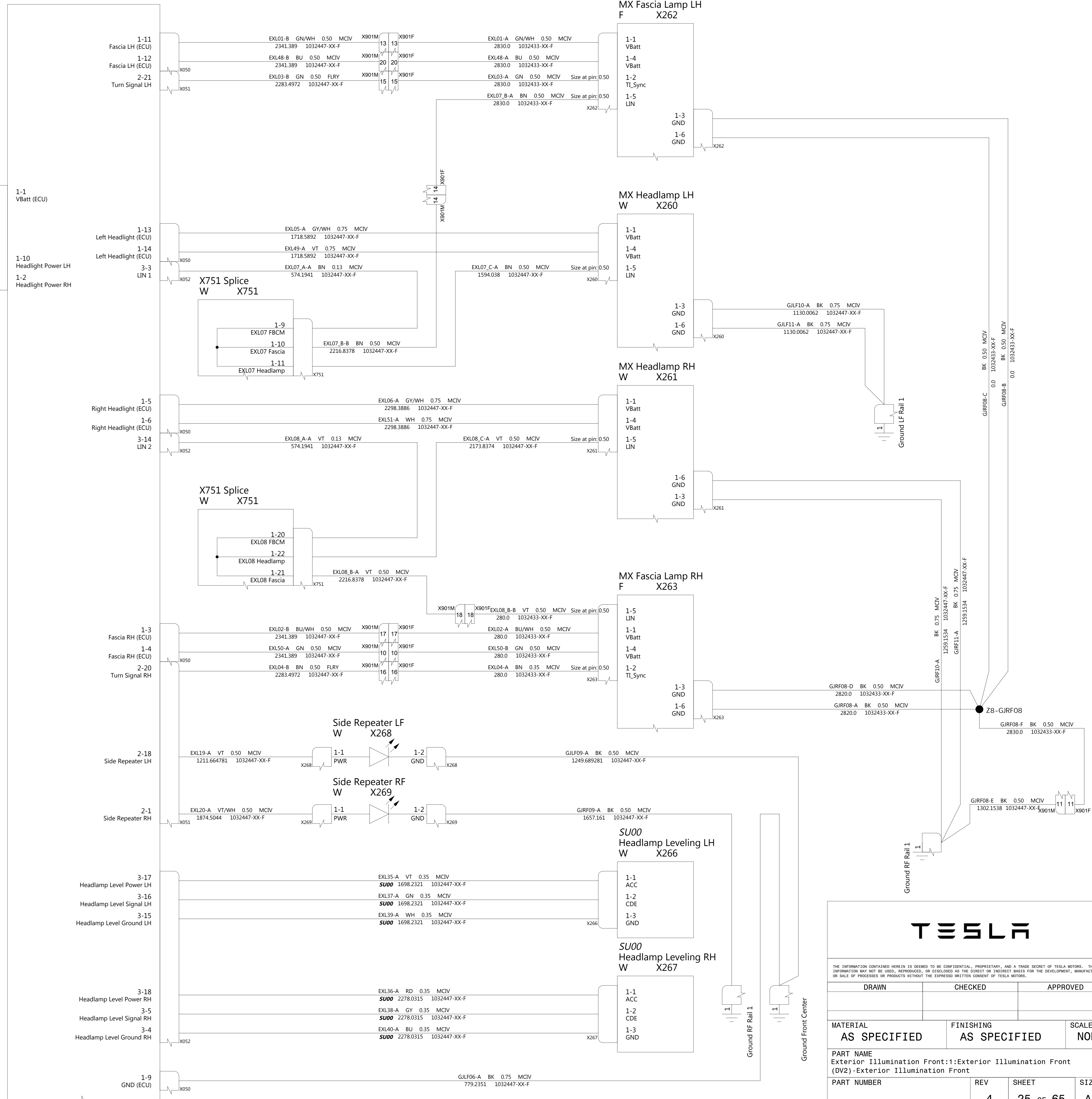
PART NAME  
Energy System - Charger Logic Connections (DV2 MCU1.5)-Energy System - Charger Logic Connections

PART NUMBER	REV	SHEET	SIZE
	4	24 OF 65	A0

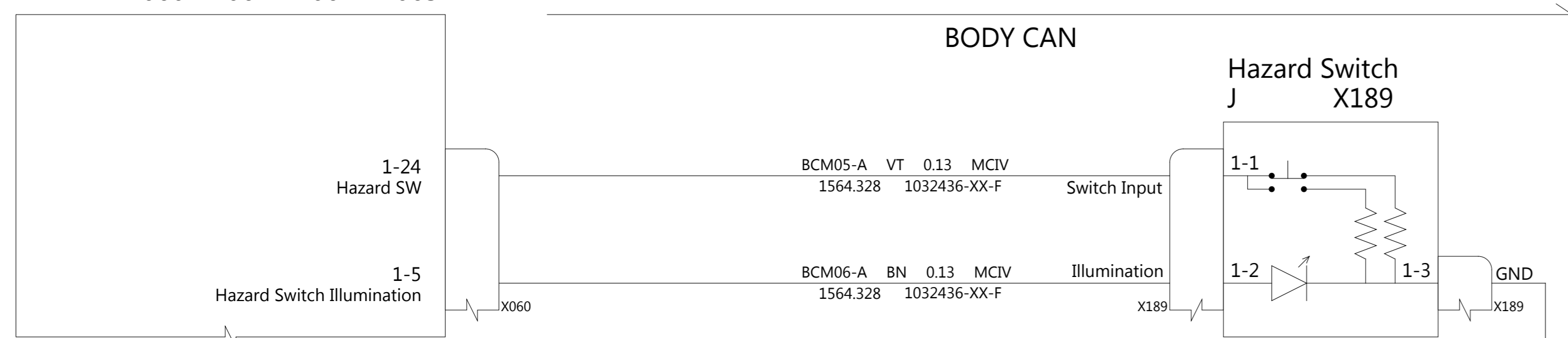




Front Body Control Module (BCFRONT) DV3  
W X050 X051 X052



Central Body Control Module (BCCEN) DV3  
H X060 X061 X062 X063

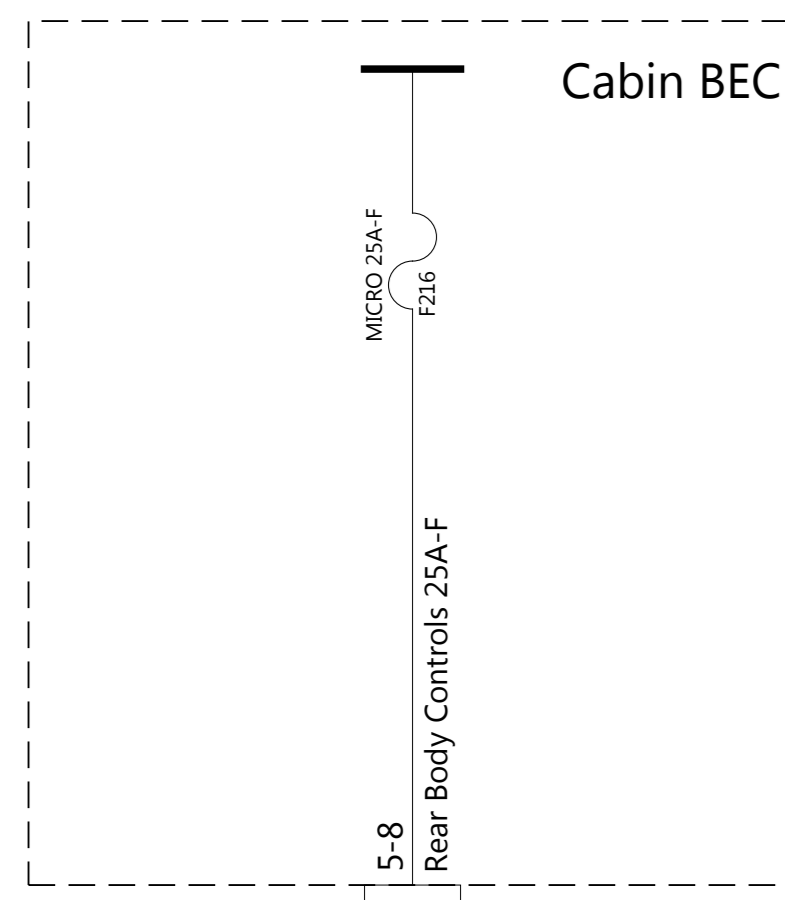
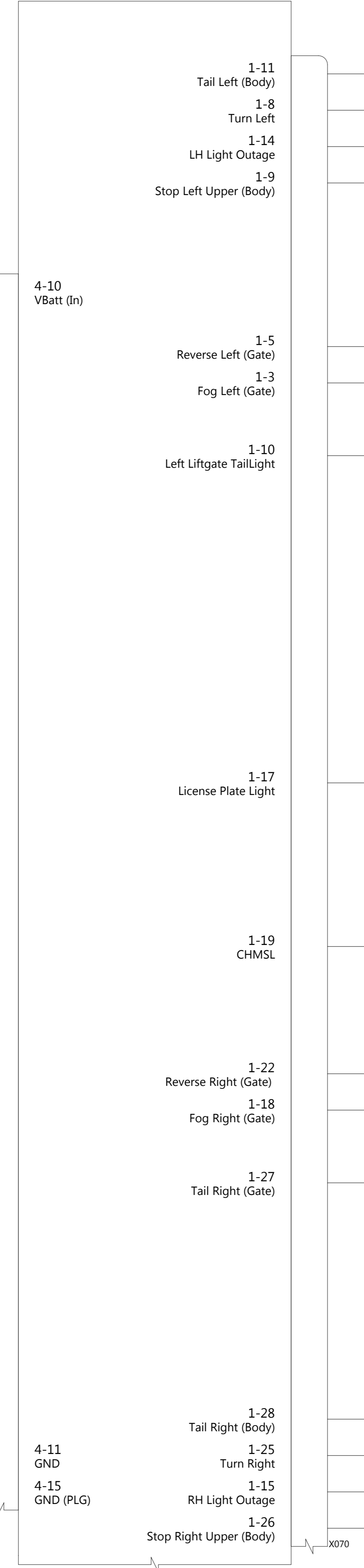


BODY CAN

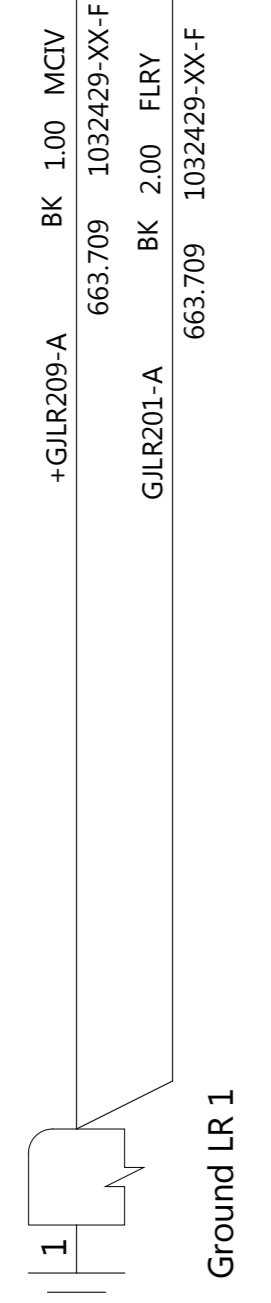


<b>TESLA</b>			
THE INFORMATION CONTAINED HEREIN IS DEEMED TO BE CONFIDENTIAL, PROPRIETARY, AND A TRADE SECRET OF TESLA MOTORS. THIS INFORMATION MAY NOT BE USED, REPRODUCED, OR DISCLOSED AS THE DIRECT OR INDIRECT BASIS FOR THE DEVELOPMENT, MANUFACTURE, OR SALE OF PROCESSES OR PRODUCTS WITHOUT THE EXPRESS WRITTEN CONSENT OF TESLA MOTORS.			
DRAWN	CHECKED	APPROVED	
MATERIAL AS SPECIFIED	FINISHING AS SPECIFIED	SCALE NONE	
PART NAME Exterior Illumination Front:1:Exterior Illumination Front (DV2)-Exterior Illumination Front			
PART NUMBER	REV	SHEET	SIZE
	4	25 OF 65	A0

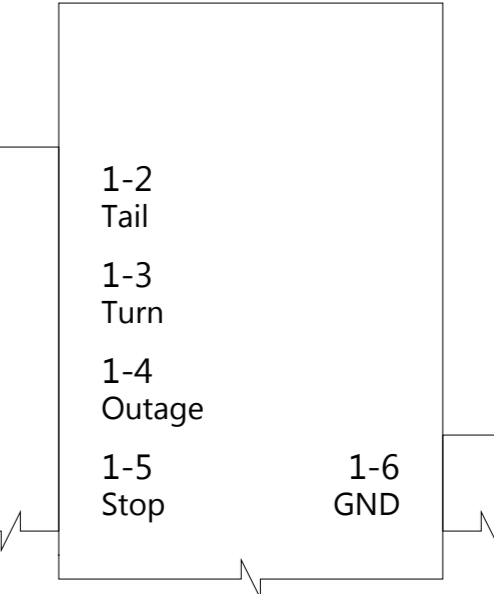
Rear Body Control Module (BCREAR) DV3  
 H X070 X071 X072 X073 X078



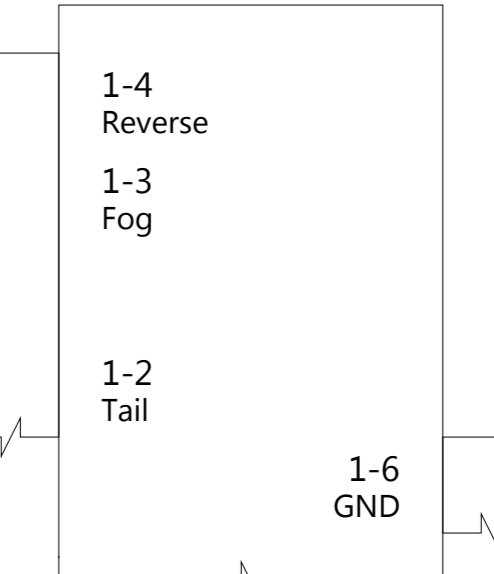
PRM103-A BN 1.50 MCV  
 4990.0 1032429-XX-F



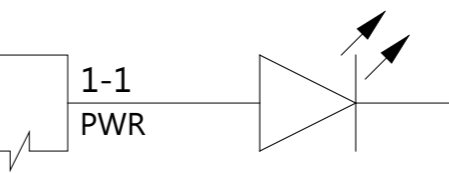
Tail Lamp Body LH  
 H X270



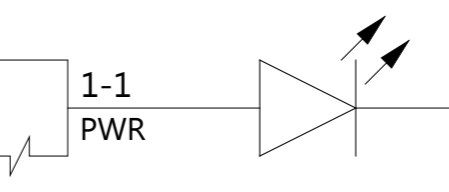
Tail Lamp Gate LH  
 T X271



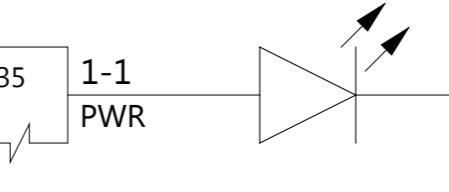
License Lamp RH  
 T X278



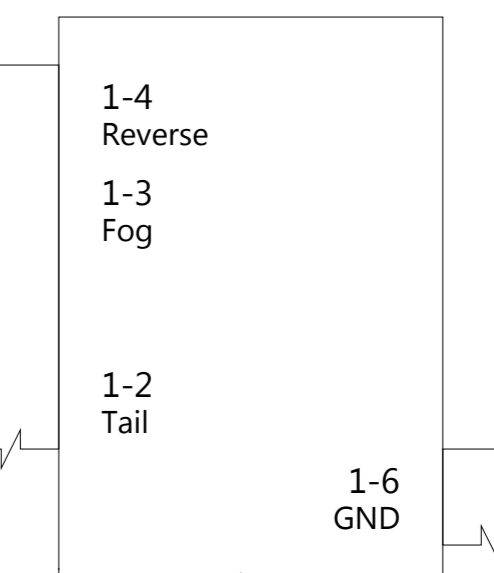
License Lamp LH  
 T X279



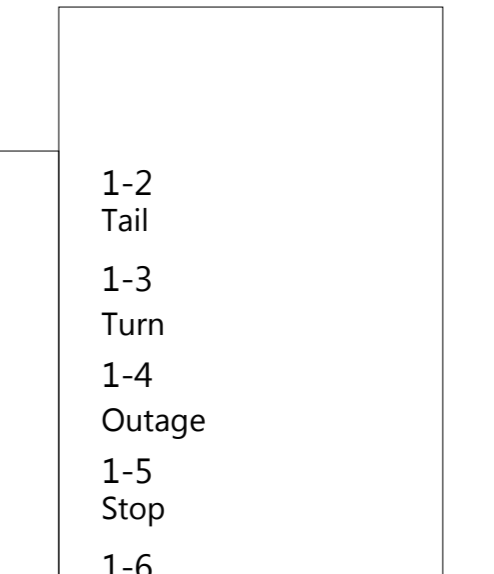
CHMSL  
 T X274



Tail Lamp Gate RH  
 T X273



Tail Lamp Body RH  
 H X272



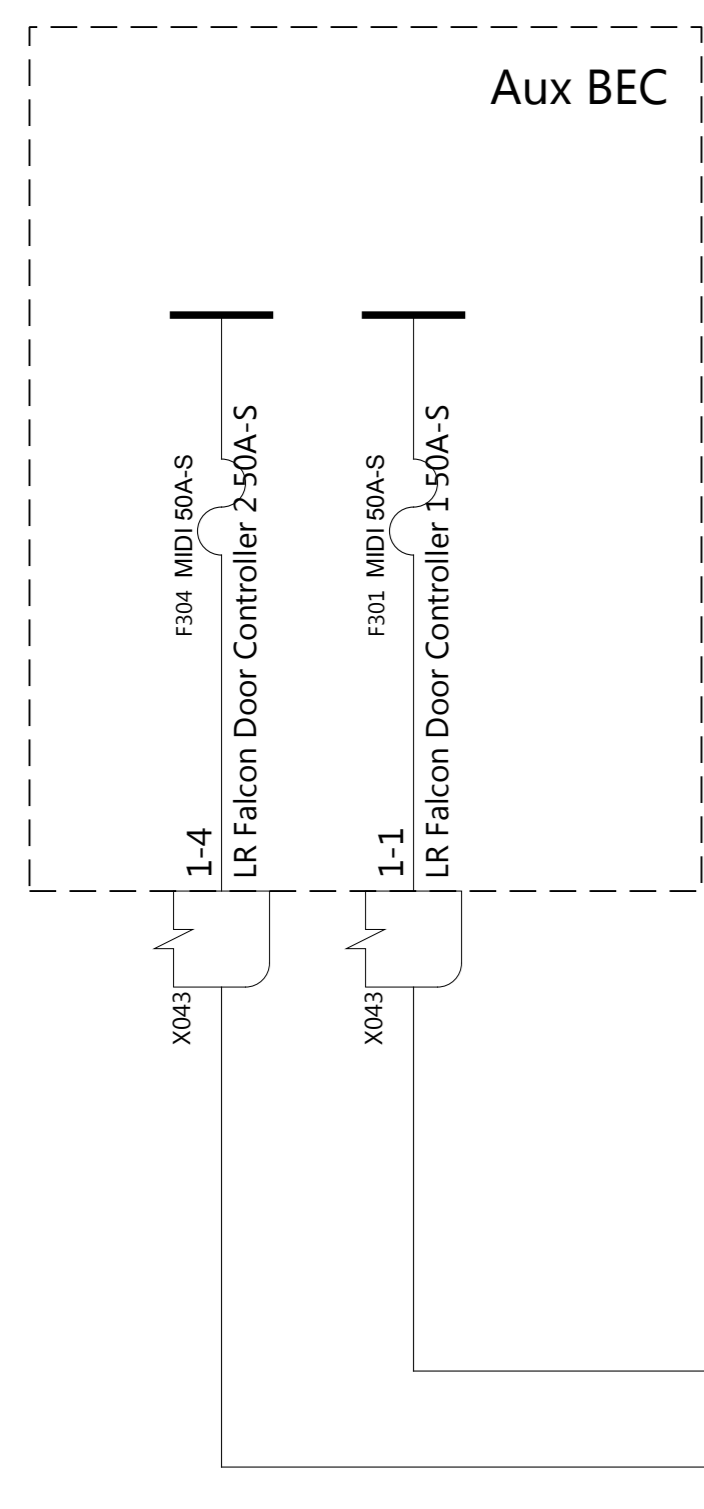
GILR12-A BK 0.50 MCV  
 1452.0 1032429-XX-F

G801 and G802 stack on grounding point  
 at center of liftgate inner panel



THE INFORMATION CONTAINED HEREIN IS DEEMED TO BE CONFIDENTIAL, PROPRIETARY, AND A TRADE SECRET OF TESLA MOTORS. THIS INFORMATION MAY NOT BE USED, REPRODUCED, OR DISCLOSED AS THE OBJECT OR INSTRUMENT BASIS FOR THE DEVELOPMENT, MANUFACTURE, OR SALE OF PROCESSES OR PRODUCTS WITHOUT THE EXPRESSED WRITTEN CONSENT OF TESLA MOTORS.

DRAWN	CHECKED	APPROVED
MATERIAL AS SPECIFIED	FINISHING AS SPECIFIED	SCALE NONE
PART NAME Exterior Illumination Rear:::Exterior Illumination Rear (DV2)-Exterior Illumination Rear		
PART NUMBER	REV 4	SHEET 26 OF 65
		SIZE A0



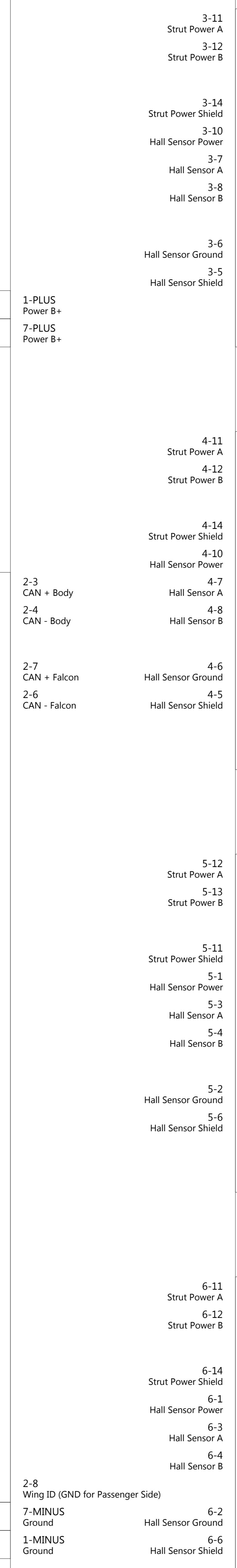
Falcon Controller Front (BCFALCD)  
H X680 X684 X670 X671 X672 X673 X681

Falcon Strut Left LF  
RU X690

Falcon Strut Left LR  
RU X691

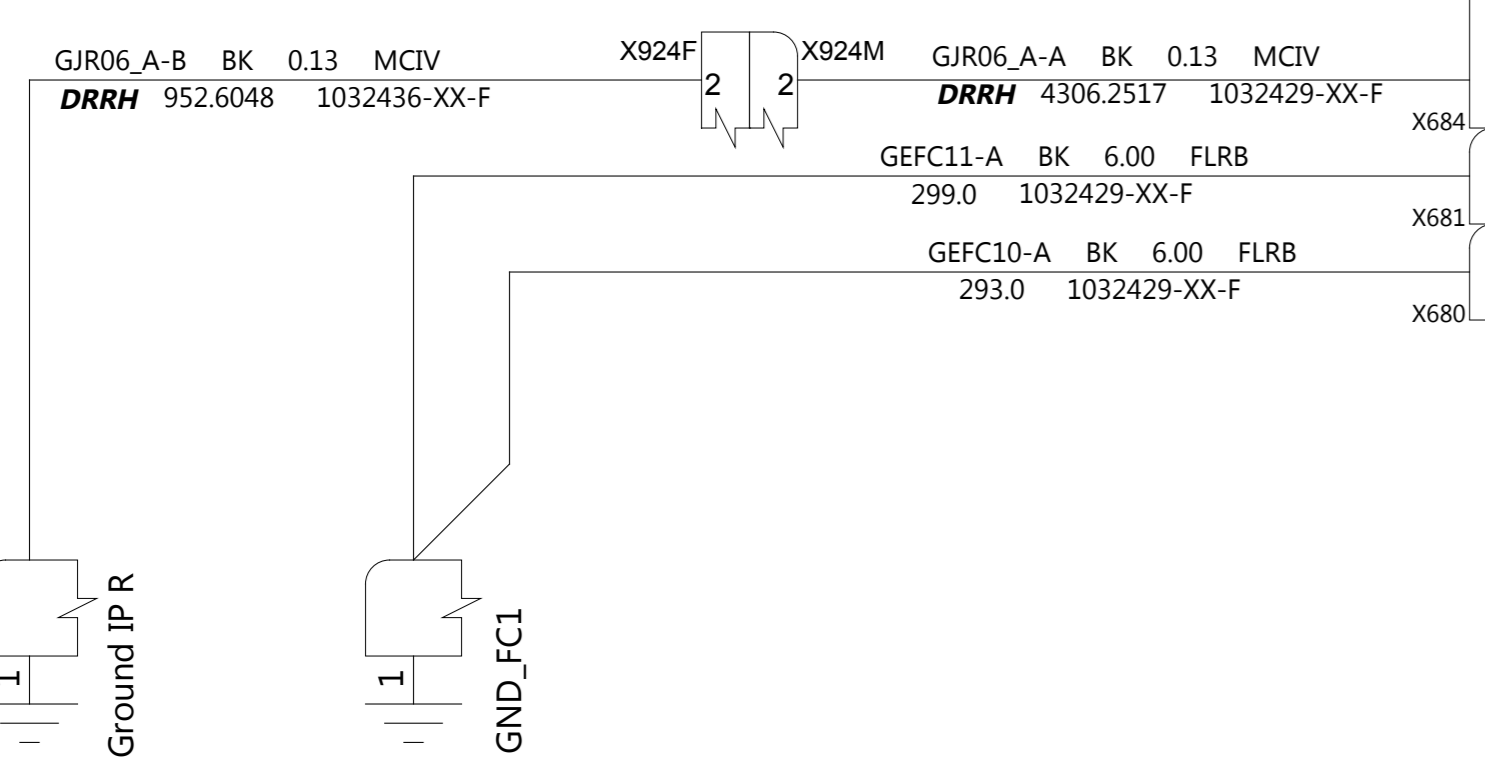
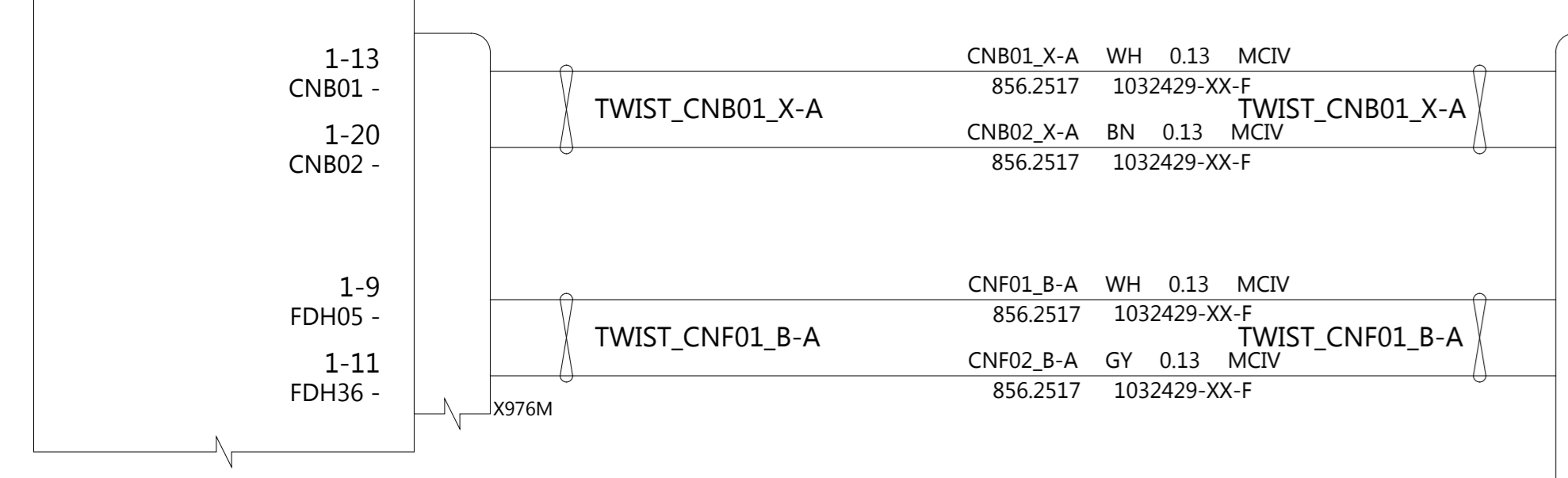
Falcon Strut Left UR  
RU X692

Falcon Strut Left UF  
RU X693



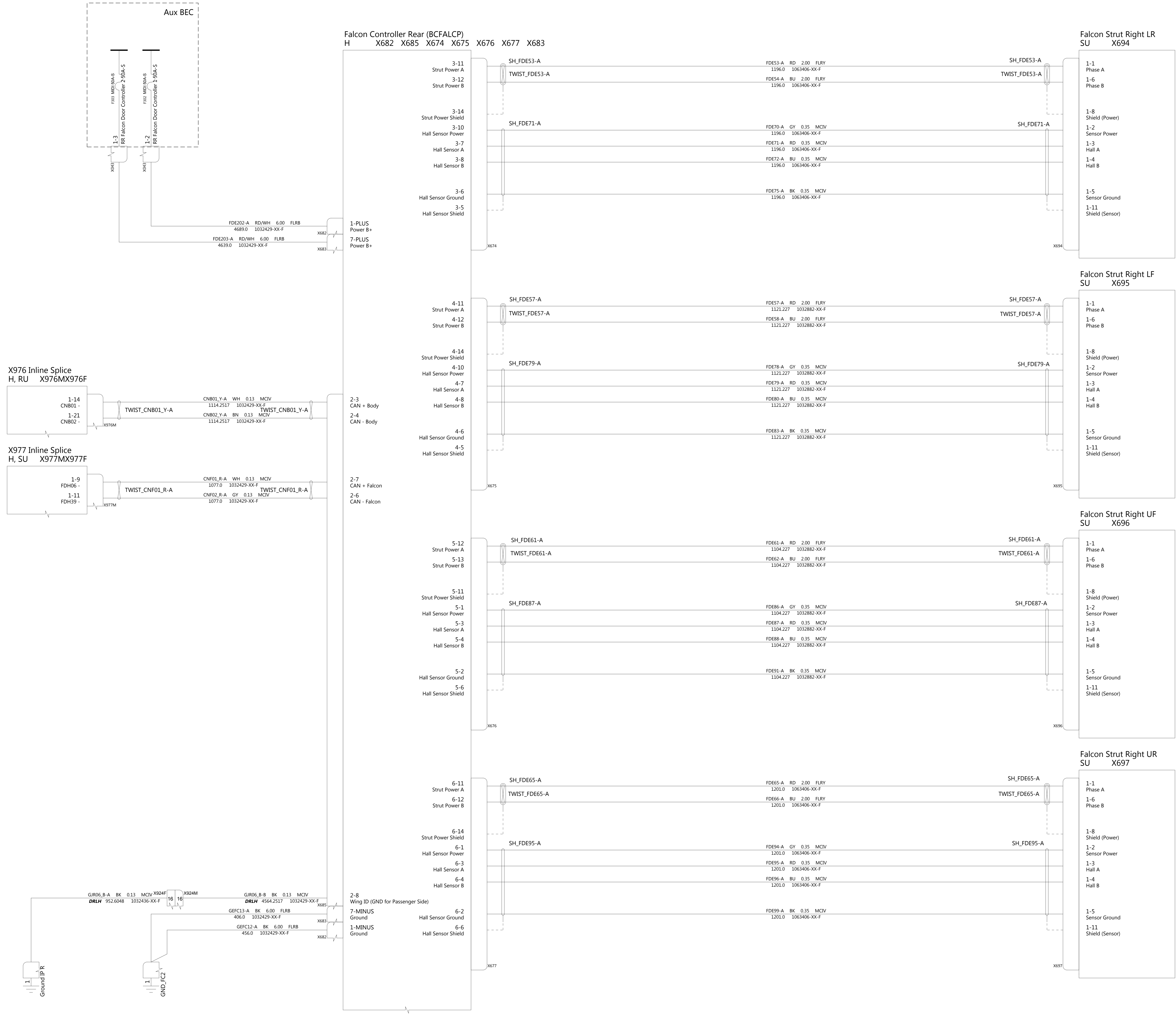
Terminal	Wire Label	Wire Color	Wire Gauge	Wire Type	Wire Part Number	Wire Description
3-11	SH_FDE01-A	RD	2.00	FLRY	FDE01-A	Strut Power A
3-12	TWIST_FDE01-A	RD	2.00	FLRY	FDE02-A	Strut Power B
3-14	SH_FDE22-A	GY	0.35	MCIV	FDE21-A	Strut Power Shield
3-10	FDE22-A	RD	0.35	MCIV	FDE22-A	Hall Sensor Power
3-7	FDE23-A	RD	0.35	MCIV	FDE23-A	Hall Sensor A
3-8	FDE23-A	BU	0.35	MCIV	FDE23-A	Hall Sensor B
3-6	FDE26-A	BK	0.35	MCIV	FDE26-A	Hall Sensor Ground
3-5	FDE26-A	BK	0.35	MCIV	FDE26-A	Hall Sensor Shield
4-11	SH_FDE05-A	RD	2.00	FLRY	FDE05-A	Strut Power A
4-12	TWIST_FDE05-A	RD	2.00	FLRY	FDE06-A	Strut Power B
4-14	SH_FDE30-A	GY	0.35	MCIV	FDE29-A	Strut Power Shield
4-10	FDE30-A	RD	0.35	MCIV	FDE30-A	Hall Sensor A
4-7	FDE31-A	RD	0.35	MCIV	FDE31-A	Hall Sensor A
4-8	FDE31-A	BU	0.35	MCIV	FDE31-A	Hall Sensor B
4-6	FDE34-A	BK	0.35	MCIV	FDE34-A	Hall Sensor Ground
4-5	FDE34-A	BK	0.35	MCIV	FDE34-A	Hall Sensor Shield
5-12	SH_FDE09-A	RD	2.00	FLRY	FDE09-A	Strut Power A
5-13	TWIST_FDE09-A	RD	2.00	FLRY	FDE10-A	Strut Power B
5-11	SH_FDE38-A	GY	0.35	MCIV	FDE37-A	Strut Power Shield
5-1	FDE38-A	RD	0.35	MCIV	FDE38-A	Hall Sensor Power
5-3	FDE39-A	RD	0.35	MCIV	FDE39-A	Hall Sensor A
5-4	FDE39-A	BU	0.35	MCIV	FDE39-A	Hall Sensor B
5-2	FDE42-A	BK	0.35	MCIV	FDE42-A	Hall Sensor Ground
5-6	FDE42-A	BK	0.35	MCIV	FDE42-A	Hall Sensor Shield
6-11	SH_FDE13-A	RD	2.00	FLRY	FDE13-A	Strut Power A
6-12	TWIST_FDE13-A	RD	2.00	FLRY	FDE14-A	Strut Power B
6-14	SH_FDE46-A	GY	0.35	MCIV	FDE45-A	Strut Power Shield
6-1	FDE46-A	RD	0.35	MCIV	FDE46-A	Hall Sensor Power
6-3	FDE47-A	RD	0.35	MCIV	FDE47-A	Hall Sensor A
6-4	FDE47-A	BU	0.35	MCIV	FDE47-A	Hall Sensor B
6-2	FDE50-A	BK	0.35	MCIV	FDE50-A	Hall Sensor Ground
6-6	FDE50-A	BK	0.35	MCIV	FDE50-A	Hall Sensor Shield

X976 Inline Splice  
H, RU X976MX976F

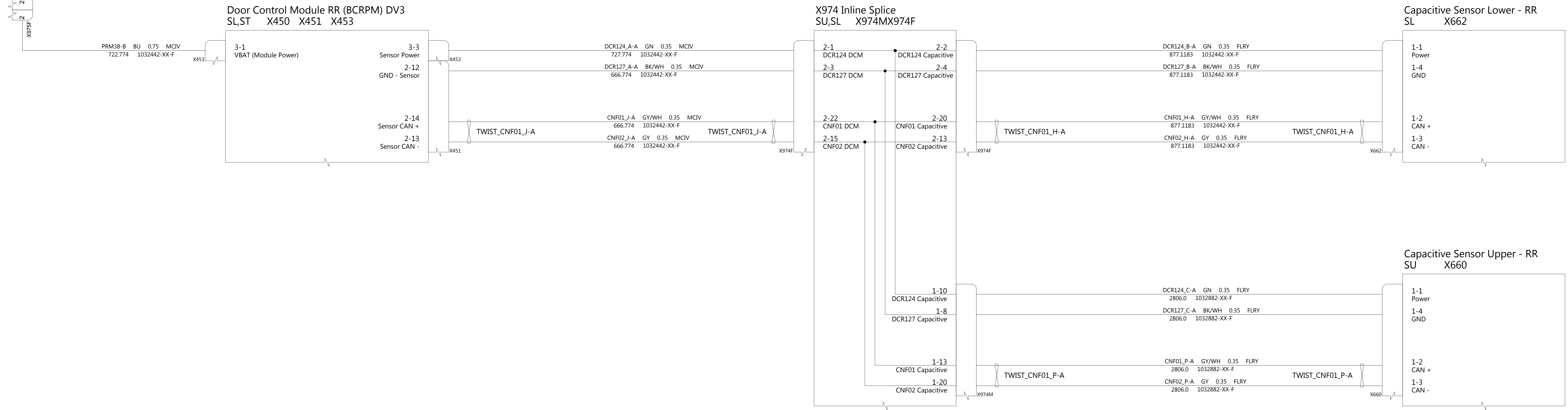
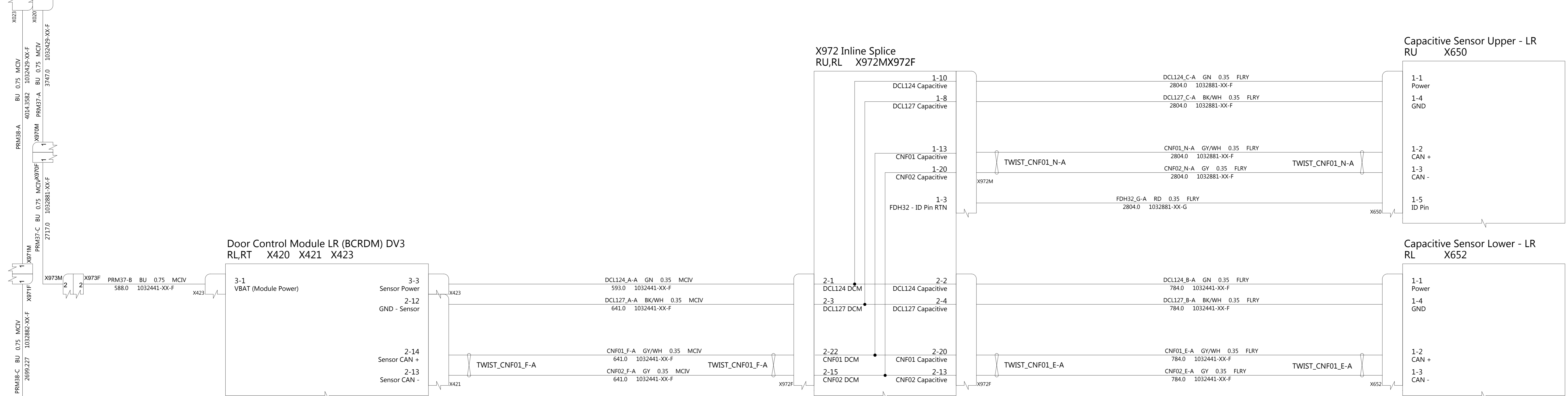
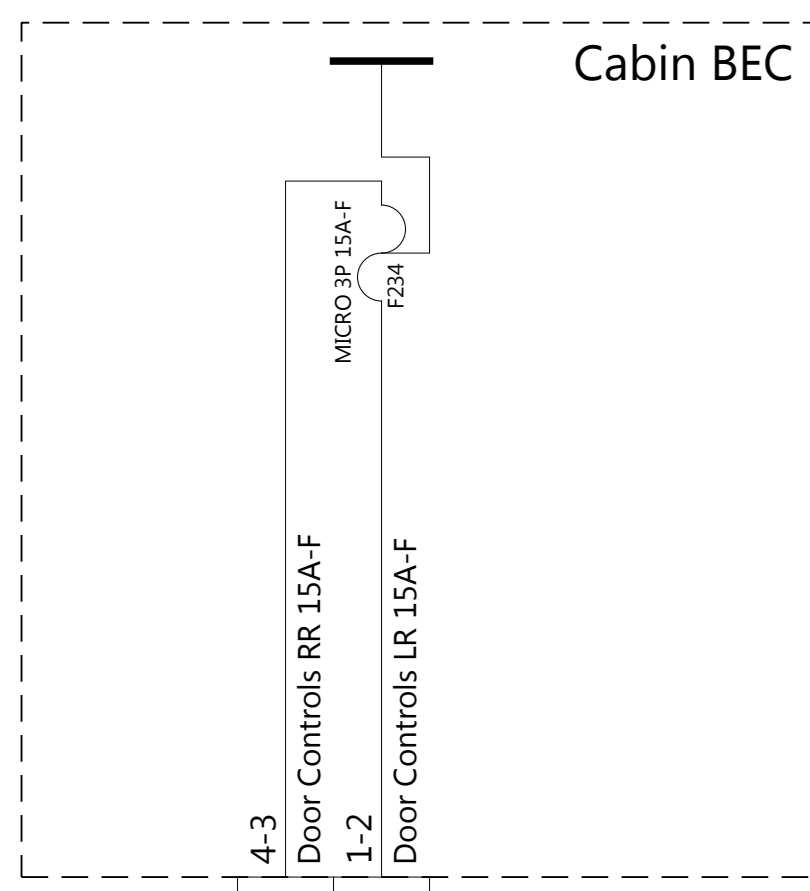


THE INFORMATION CONTAINED HEREIN IS DEEMED TO BE CONFIDENTIAL, PROPRIETARY, AND A TRADE SECRET OF TESLA MOTORS. THIS INFORMATION MAY NOT BE USED, REPRODUCED, OR DISCLOSED AS THE DIRECT OR INDIRECT BASIS FOR THE DEVELOPMENT, MANUFACTURE, OR SALE OF PROCESSES OR PRODUCTS WITHOUT THE EXPRESSED WRITTEN CONSENT OF TESLA MOTORS.

DRAWN	CHECKED	APPROVED
MATERIAL AS SPECIFIED	FINISHING AS SPECIFIED	SCALE NONE
PART NAME Falcon Doors:2:Falcon Doors (EM) + SNS CAN-Falcon Doors - Electric Left		
PART NUMBER	REV 4	SHEET 27 OF 65
		SIZE A0



<b>TESLA</b>			
THE INFORMATION CONTAINED HEREIN IS DEEMED TO BE CONFIDENTIAL, PROPRIETARY, AND A TRADE SECRET OF TESLA MOTORS. THIS INFORMATION MAY NOT BE USED, REPRODUCED, OR DISCLOSED AS THE DIRECT OR INDIRECT BASIS FOR THE DEVELOPMENT, MANUFACTURE, OR SALE OF PROCESSES OR PRODUCTS WITHOUT THE EXPRESSED WRITTEN CONSENT OF TESLA MOTORS.			
DRAWN	CHECKED	APPROVED	
MATERIAL AS SPECIFIED	FINISHING AS SPECIFIED	SCALE NONE	
PART NAME Falcon Doors:2:Falcon Doors (EM) + SNS CAN-Falcon Doors - Electric Right			
PART NUMBER	REV 4	SHEET 28 OF 65	SIZE A0



THE INFORMATION CONTAINED HEREIN IS DEEMED TO BE CONFIDENTIAL, PROPRIETARY, AND A TRADE SECRET OF TESLA MOTORS. THIS INFORMATION MAY NOT BE USED, REPRODUCED, OR DISCLOSED AS THE DIRECT OR INDIRECT BASIS FOR THE DEVELOPMENT, MANUFACTURE, OR SALE OF PROCESSES OR PRODUCTS WITHOUT THE EXPRESSED WRITTEN CONSENT OF TESLA MOTORS.

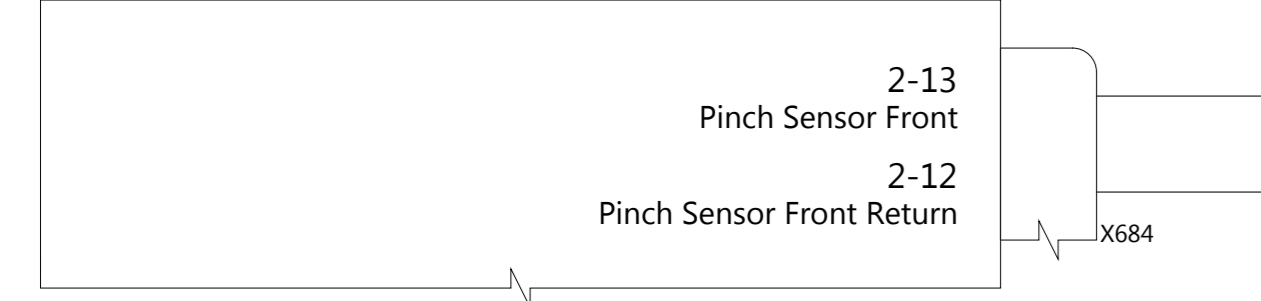
DRAWN	CHECKED	APPROVED
-------	---------	----------

MATERIAL AS SPECIFIED	FINISHING AS SPECIFIED	SCALE NONE
--------------------------	---------------------------	---------------

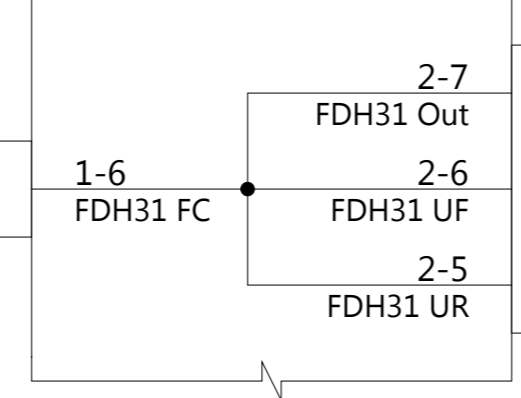
PART NAME  
Falcon Doors:2:Falcon Doors (EM) + SNS CAN-Falcon Doors - Obstacle Sensors

PART NUMBER	REV	SHEET	SIZE
	4	29 OF 65	A0

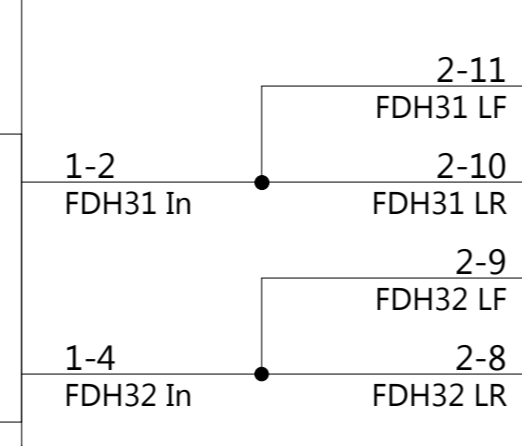
Falcon Controller Front (BCFALCD)  
H X680 X684 X670 X671 X672 X673 X681



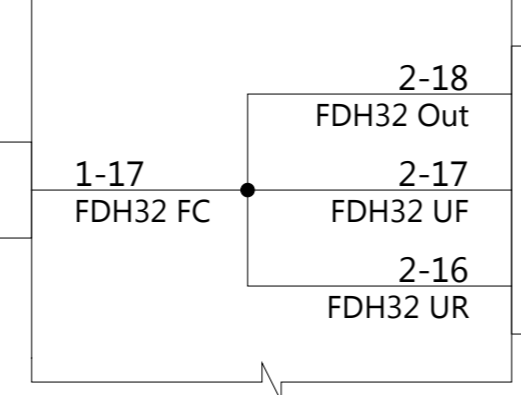
X976 Inline Splice  
H, RU X976MX976F



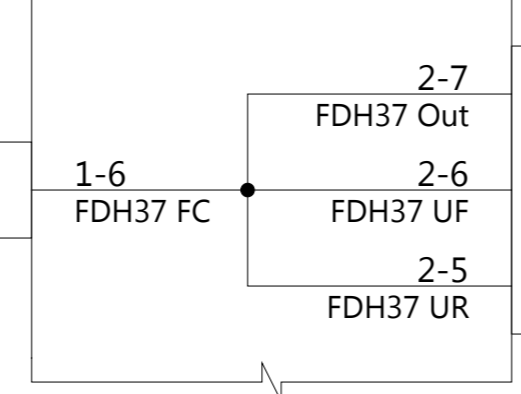
X972 Inline Splice  
RU, RL X972MX972F



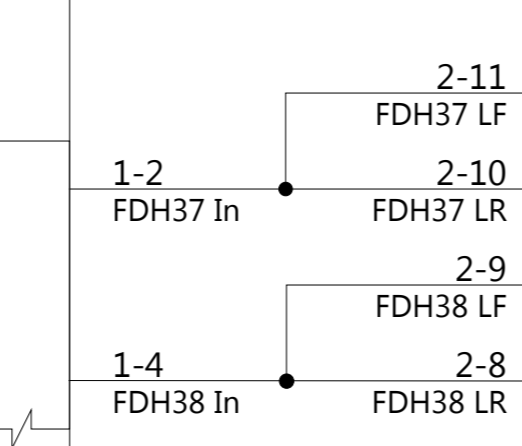
X976 Inline Splice  
H, RU X976MX976F



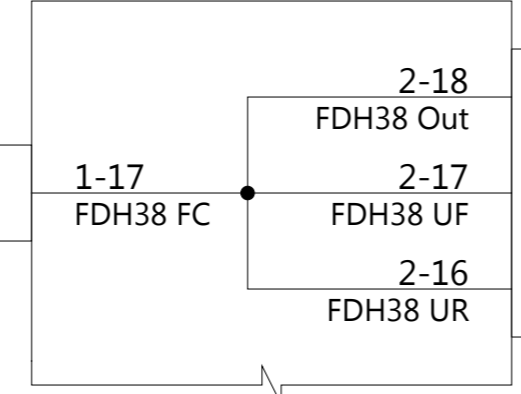
X977 Inline Splice  
H, SU X977MX977F



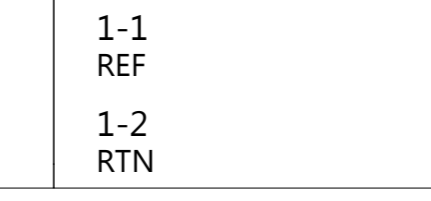
X974 Inline Splice  
SU, SL X974MX974F



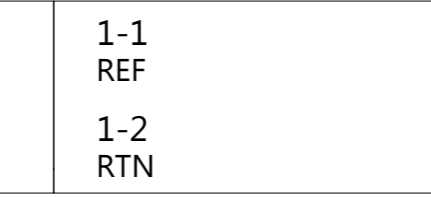
X977 Inline Splice  
H, SU X977MX977F



Pinch Sensor 3 LR - Lower Forward  
RU X439



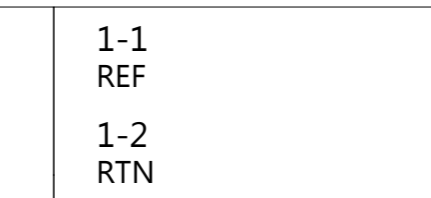
Pinch Sensor 4 LR - Lower Rear  
RU X440



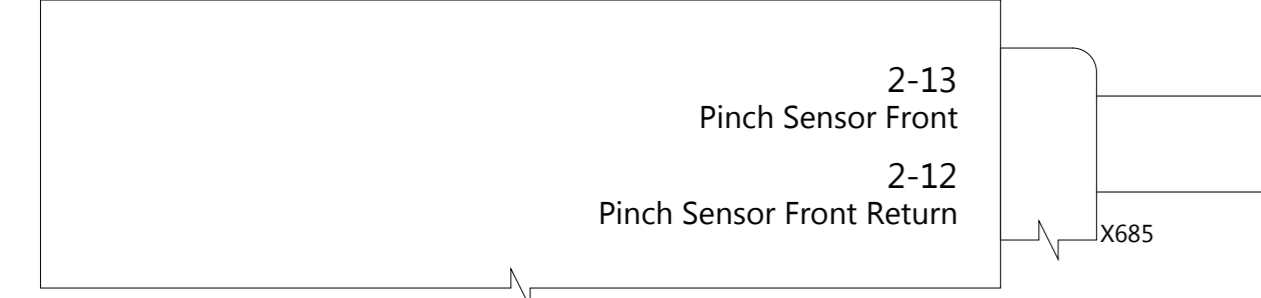
Pinch Sensor 3 RR - Lower Forward  
SU X469



Pinch Sensor 4 RR - Lower Rear  
SU X470



Falcon Controller Rear (BCFALCP)  
H X682 X685 X674 X675 X676 X677 X683



**TESLA**

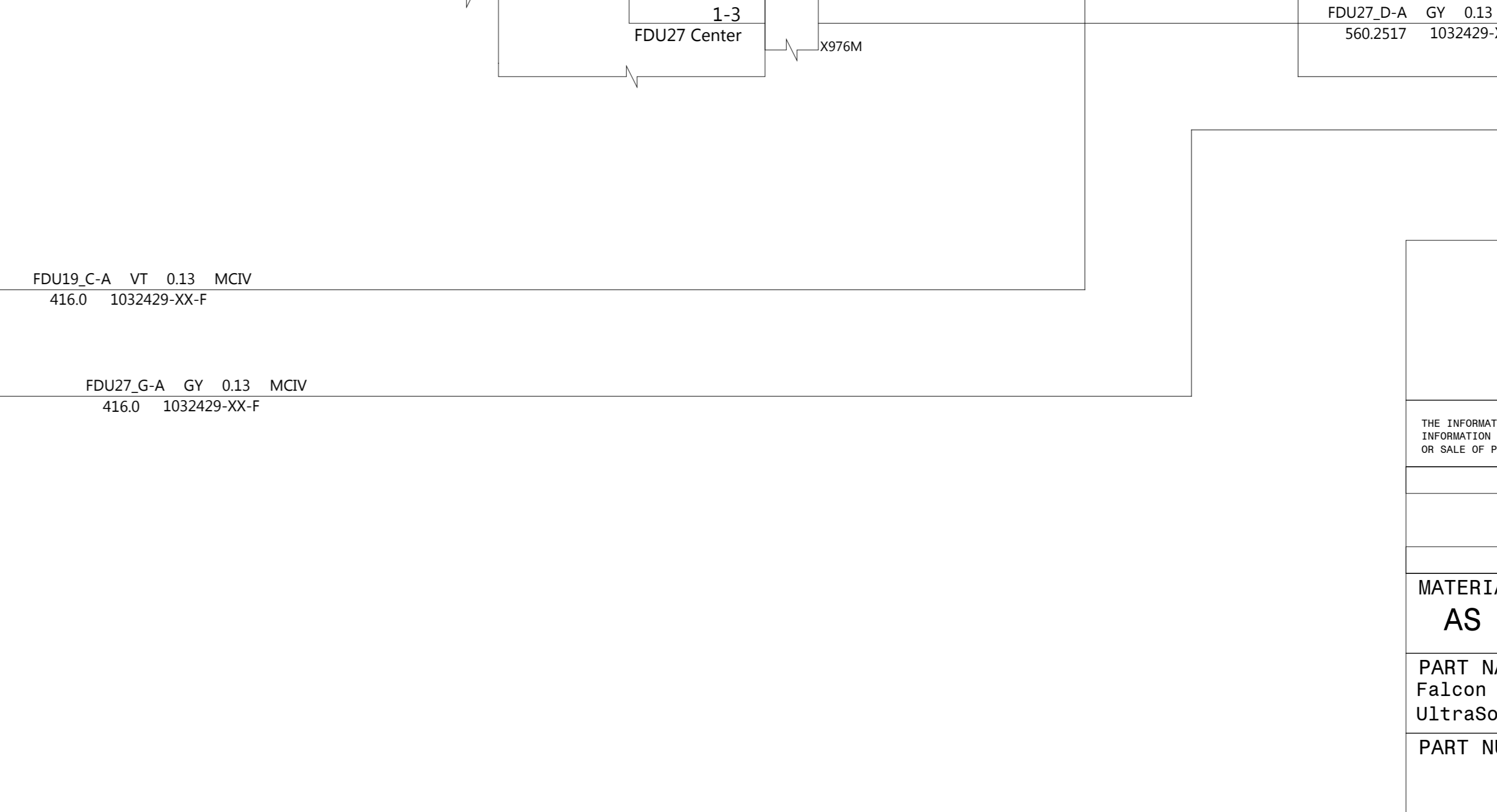
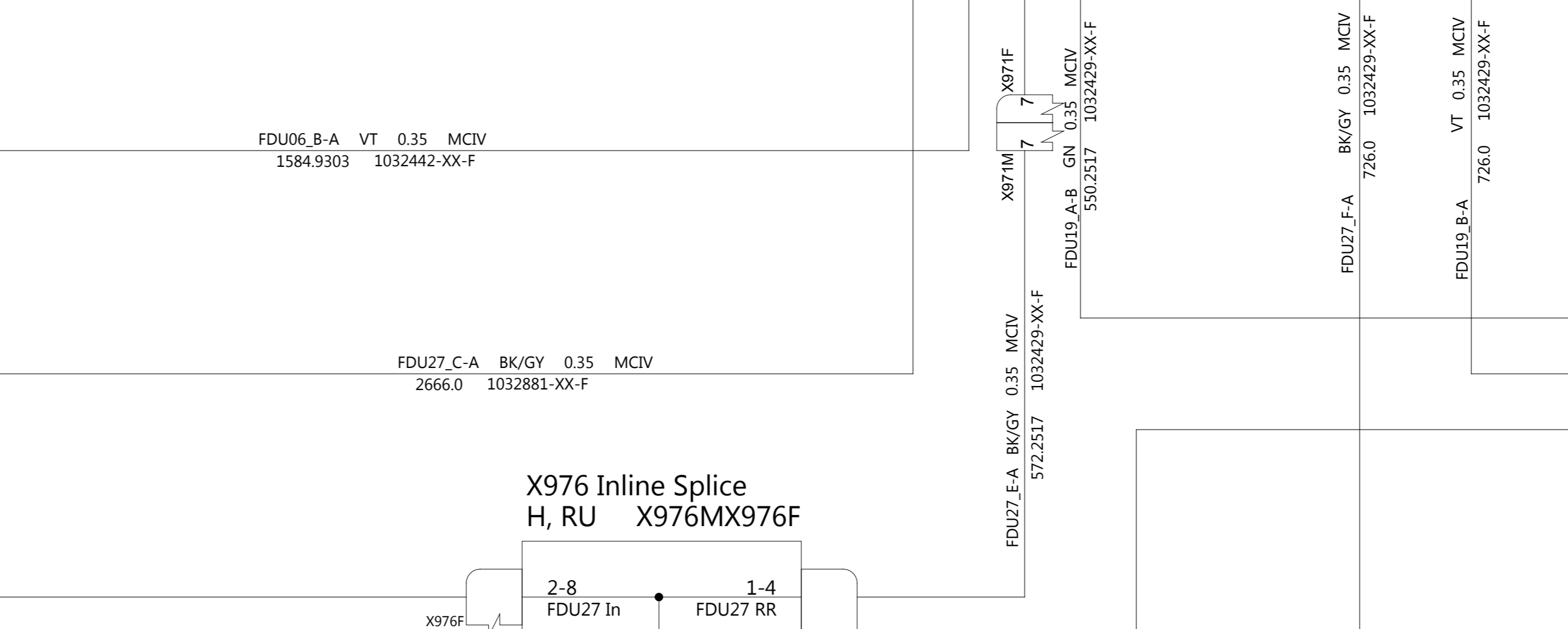
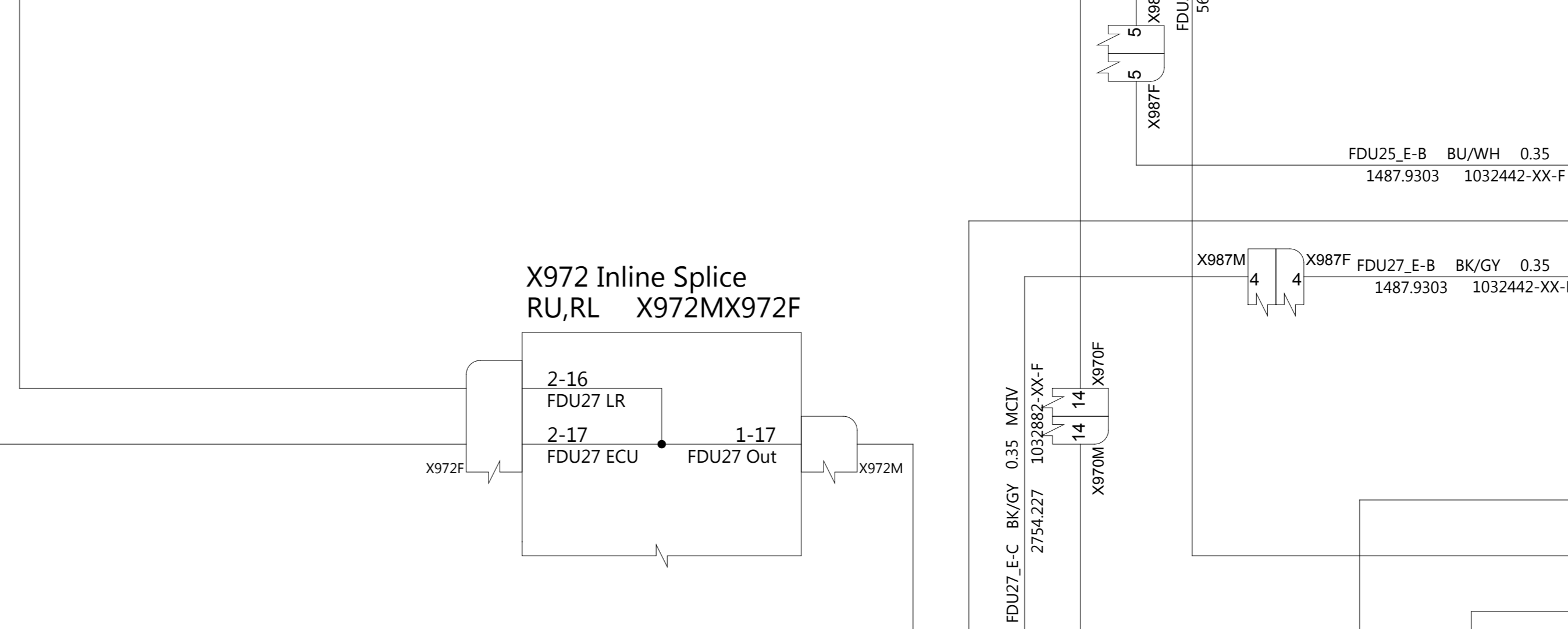
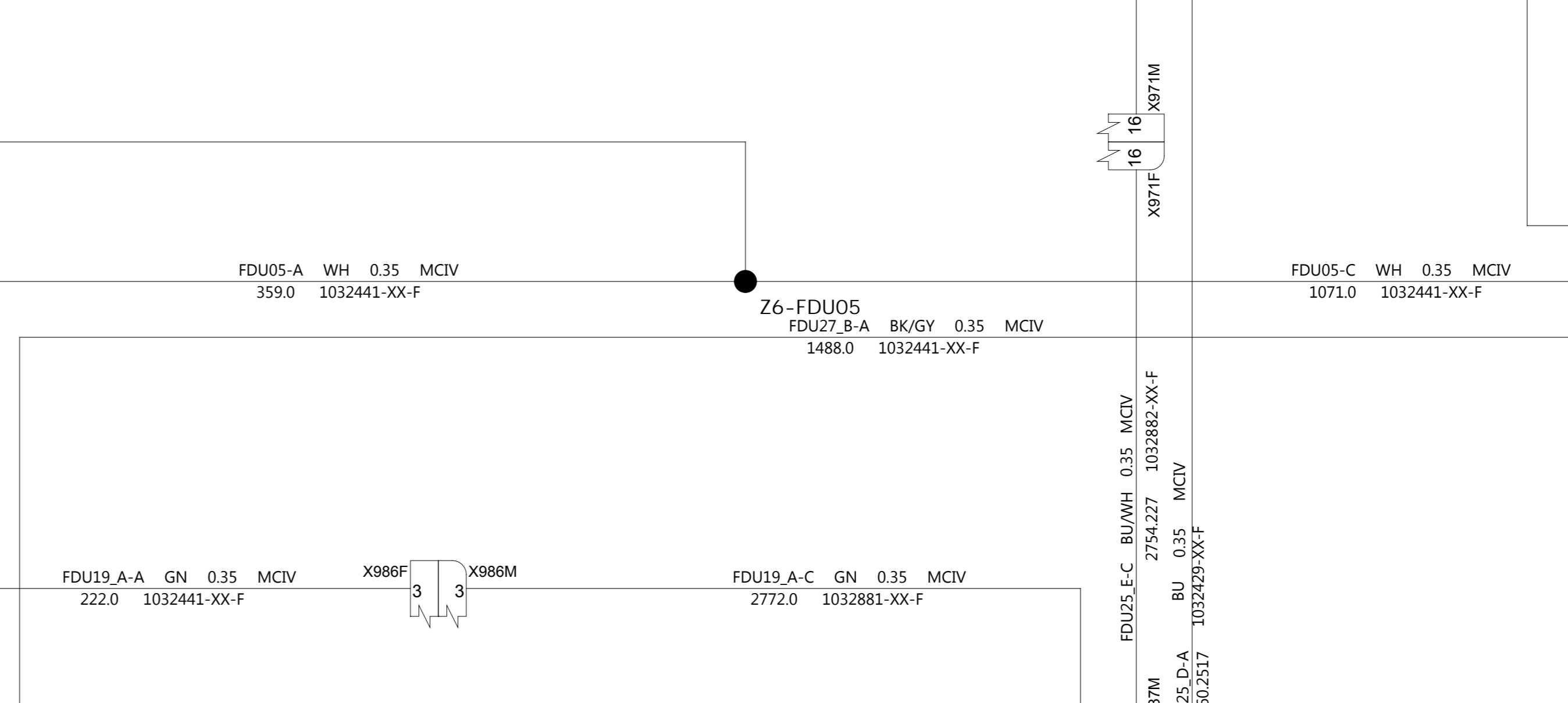
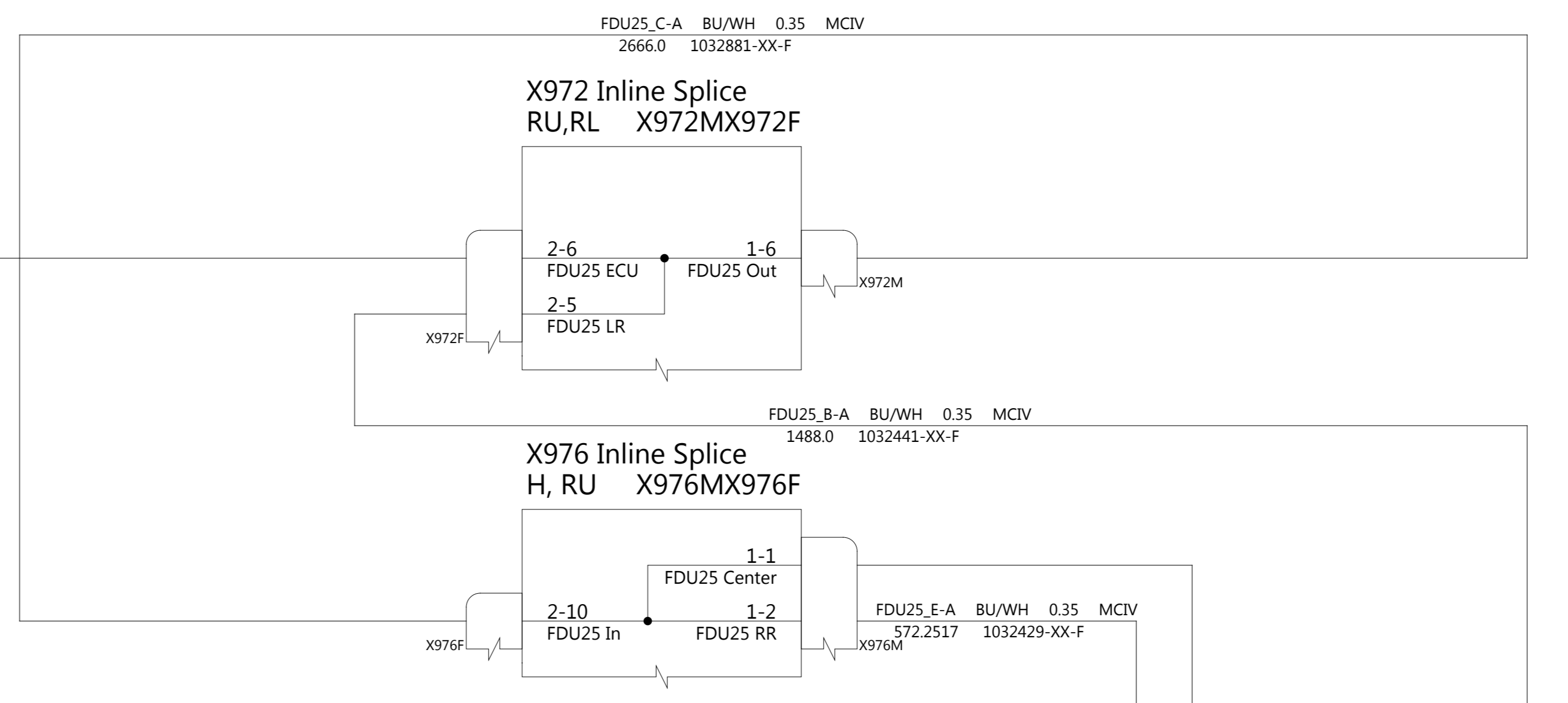
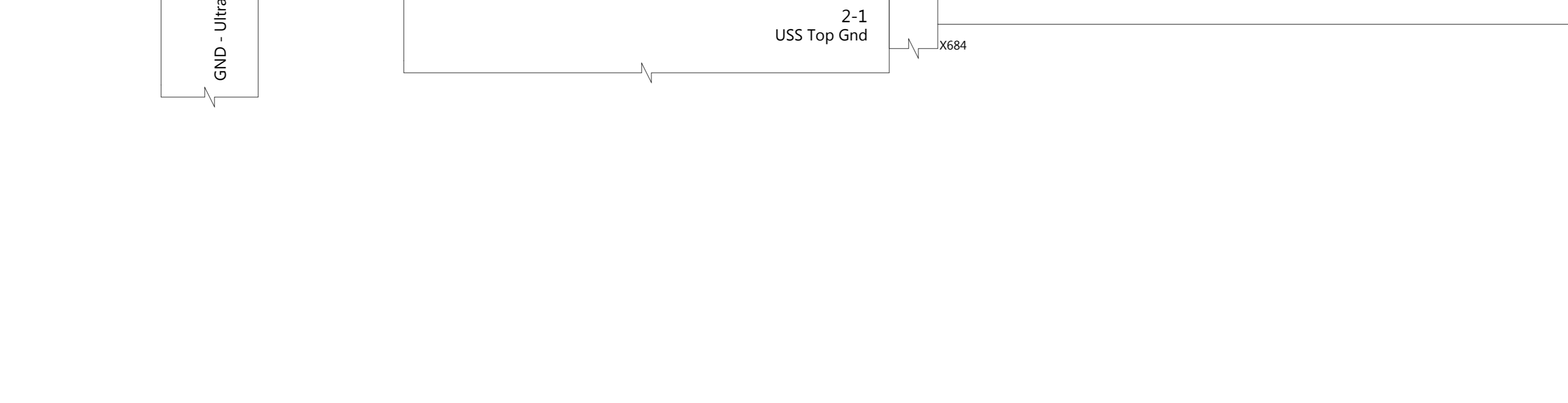
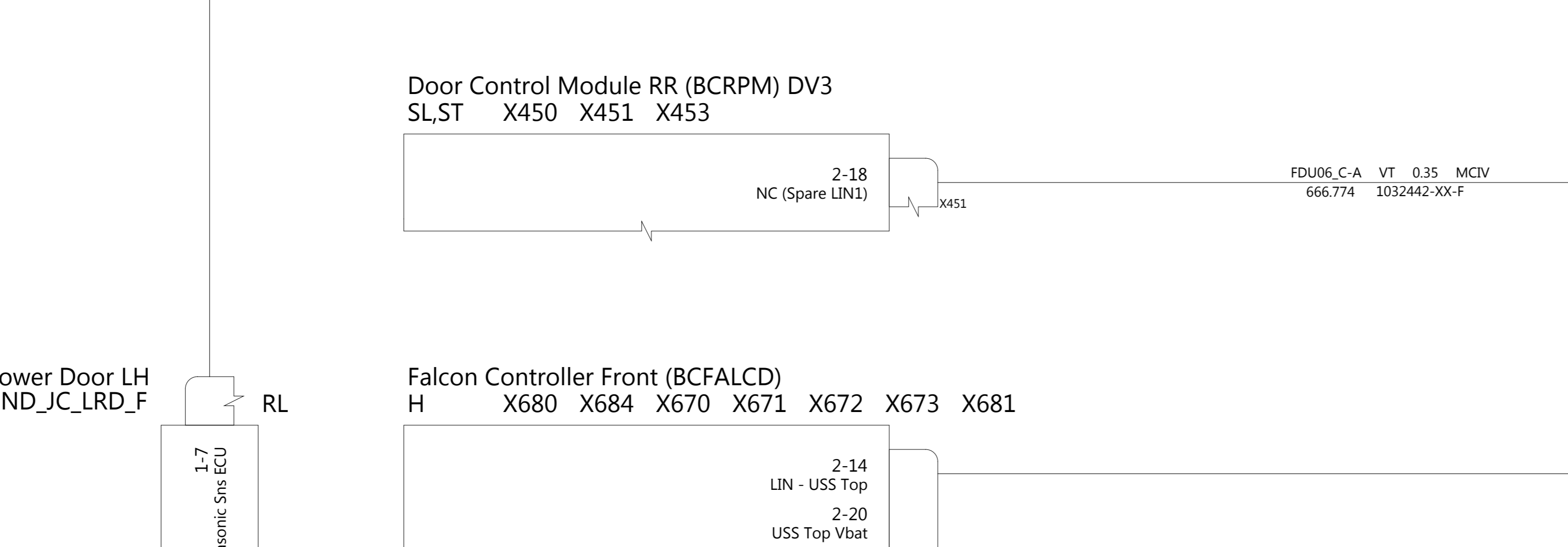
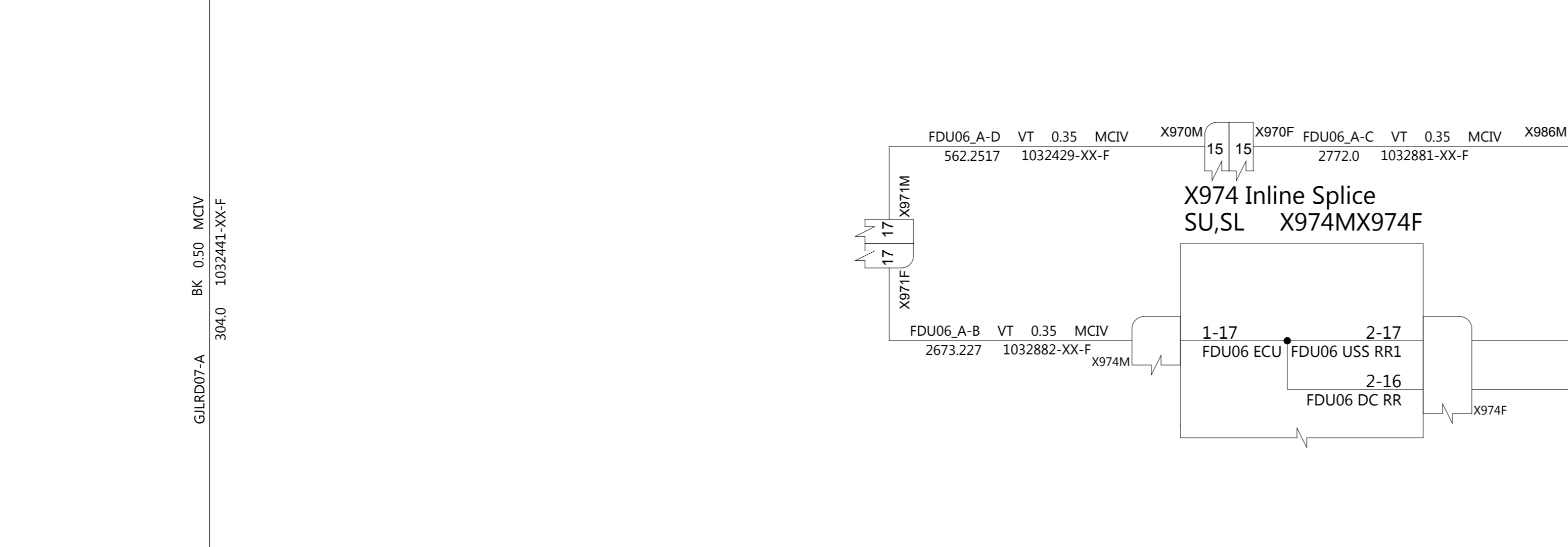
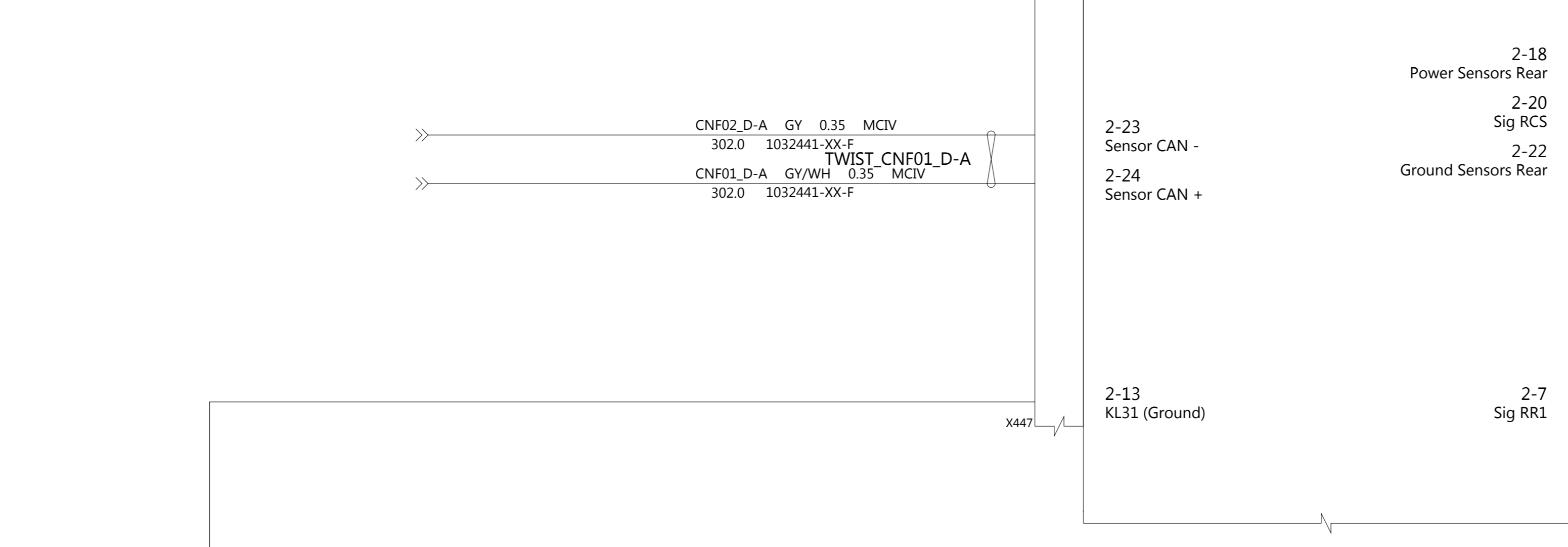
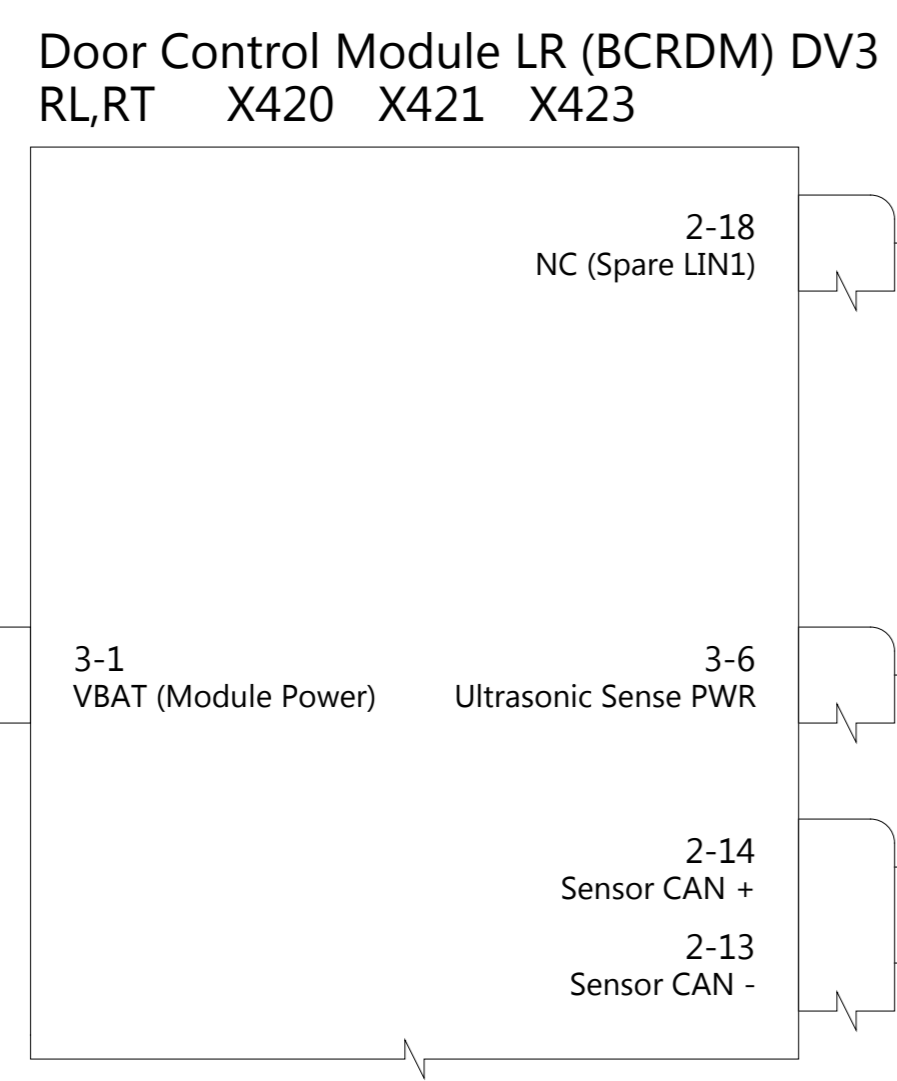
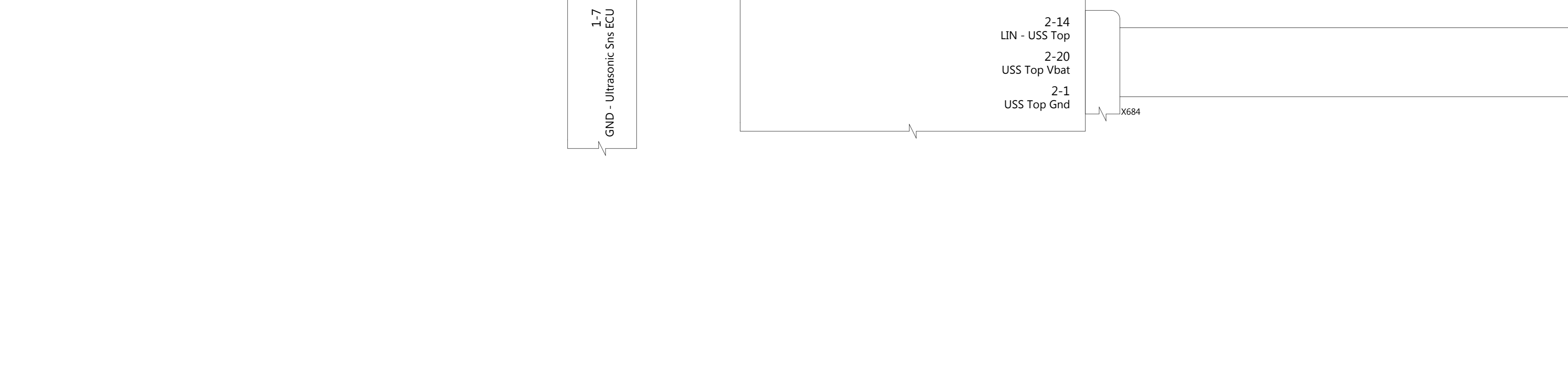
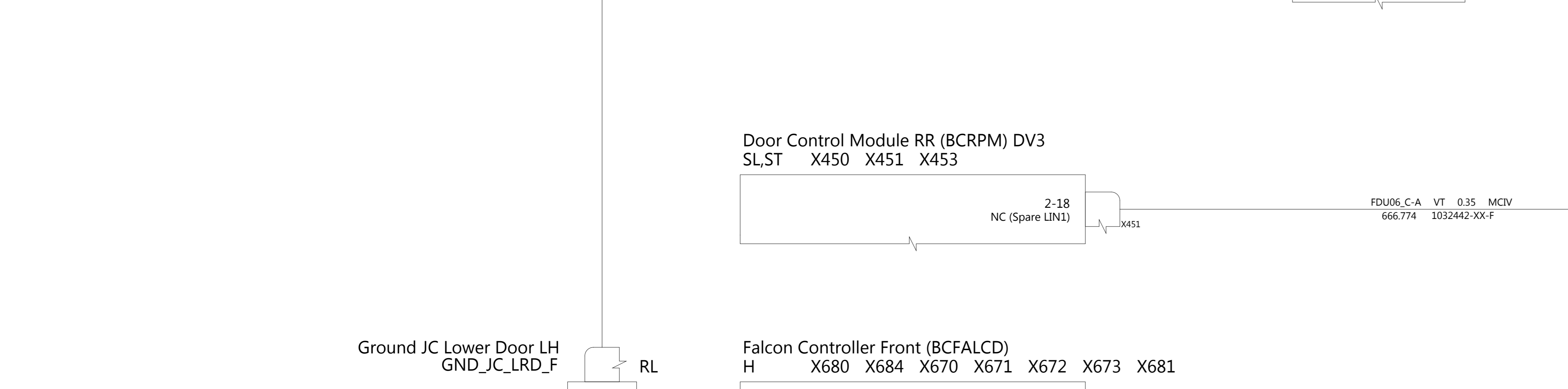
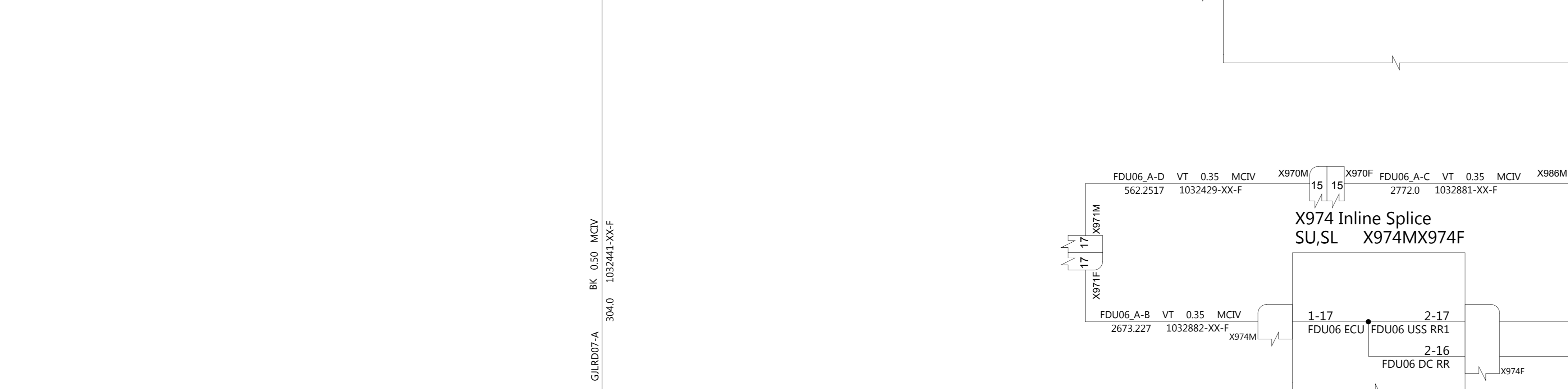
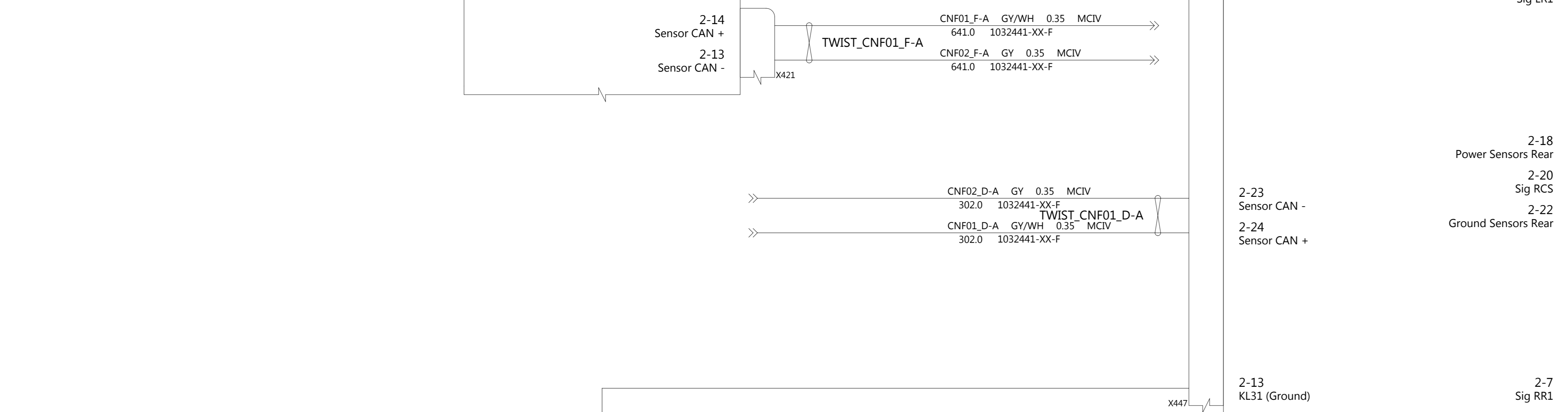
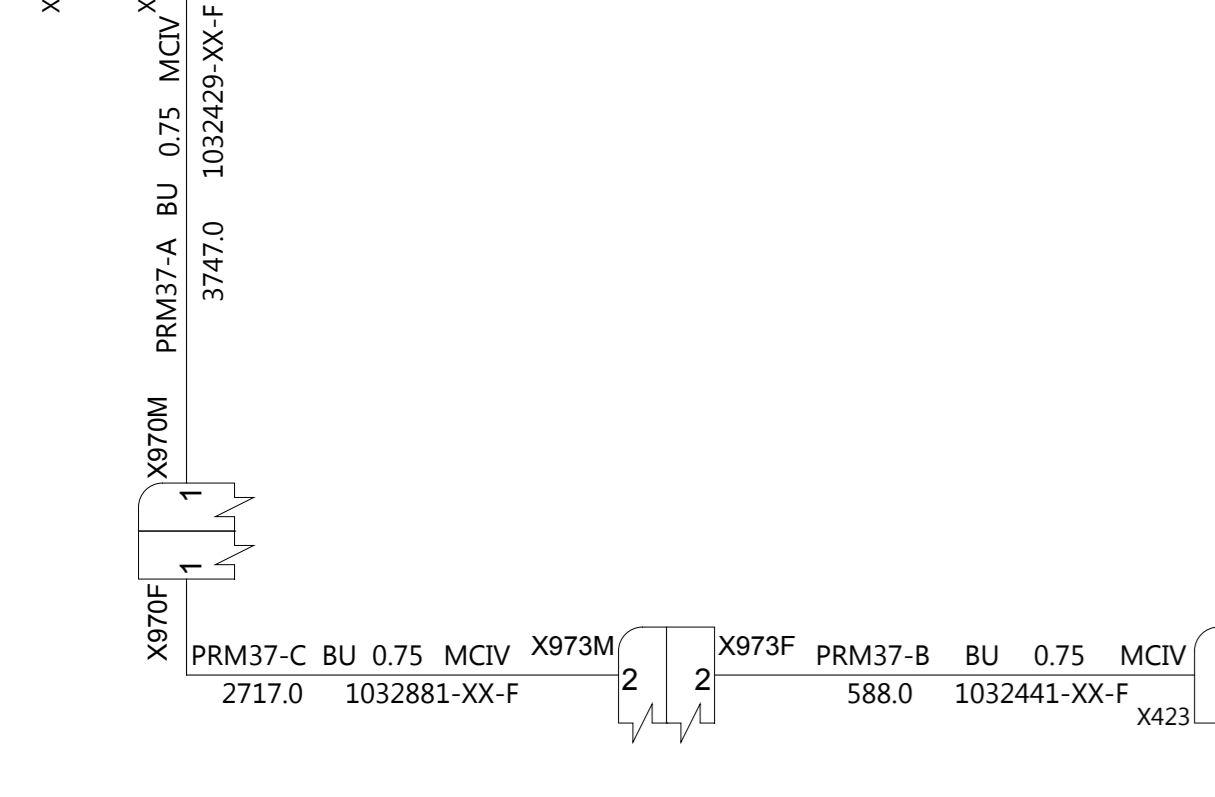
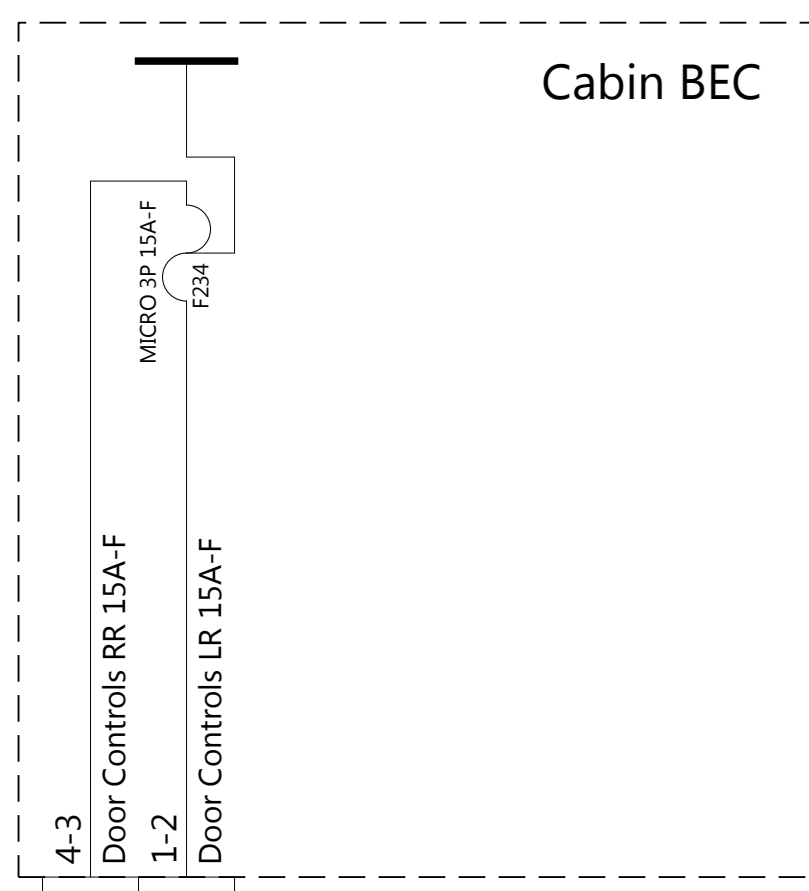
THE INFORMATION CONTAINED HEREIN IS DEEMED TO BE CONFIDENTIAL, PROPRIETARY, AND A TRADE SECRET OF TESLA MOTORS. THIS INFORMATION MAY NOT BE USED, REPRODUCED, OR DISCLOSED AS THE OBJECT OR INDIRECT BASIS FOR THE DEVELOPMENT, MANUFACTURE, OR SALE OF PROCESSES OR PRODUCTS WITHOUT THE EXPRESSED WRITTEN CONSENT OF TESLA MOTORS.

DRAWN	CHECKED	APPROVED
-------	---------	----------

MATERIAL AS SPECIFIED	FINISHING AS SPECIFIED	SCALE NONE
--------------------------	---------------------------	---------------

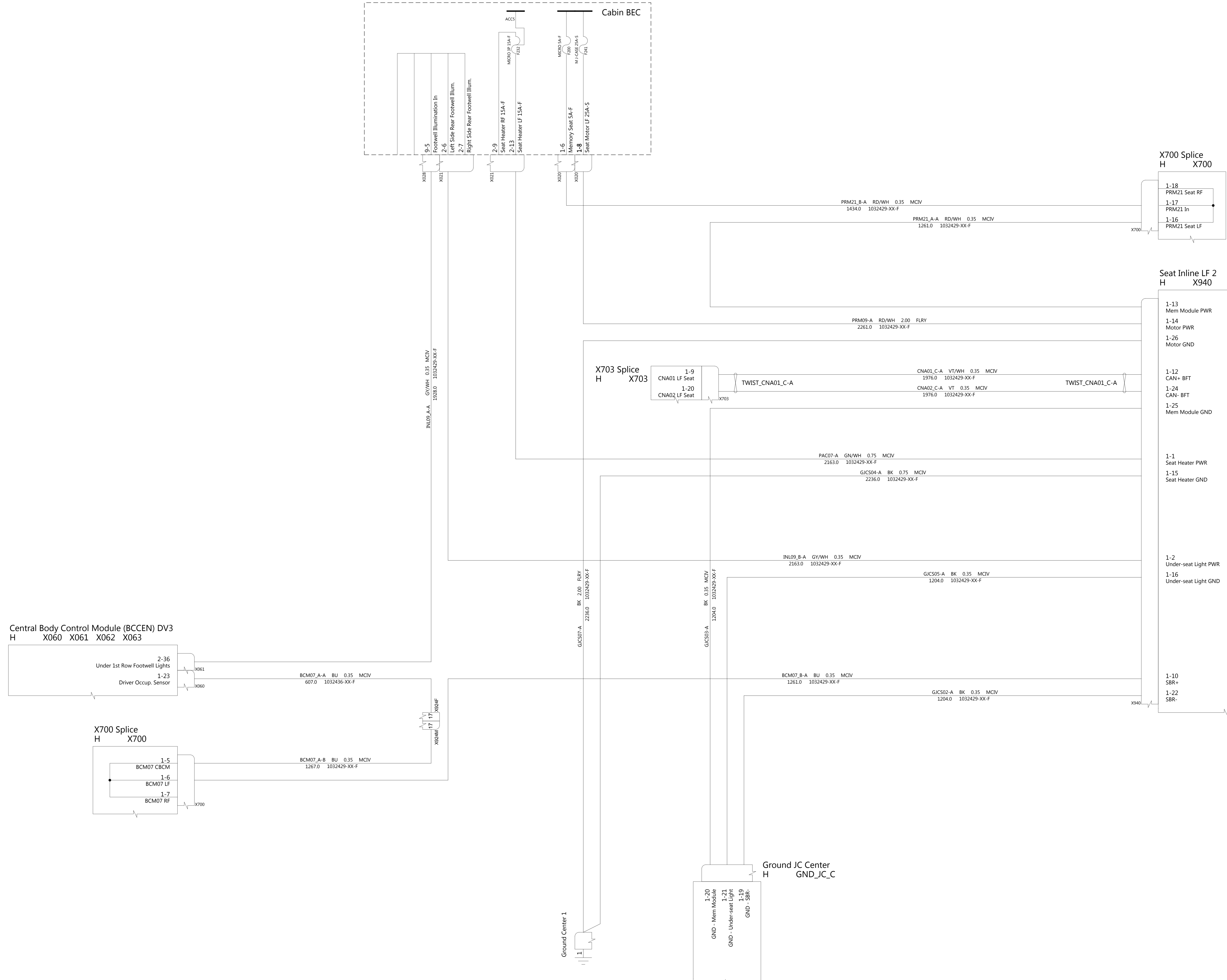
PART NAME  
Falcon Doors:2:Falcon Doors (EM) + SNS CAN-Falcon Doors - Pinch Sensors

PART NUMBER	REV	SHEET	SIZE
	4	30 OF 65	A0



THE INFORMATION CONTAINED HEREIN IS DEEMED TO BE CONFIDENTIAL, PROPRIETARY, AND A TRADE SECRET OF TESLA MOTORS. THIS INFORMATION MAY NOT BE USED, REPRODUCED, OR DISCLOSED AS THE DIRECT OR INDIRECT BASIS FOR THE DEVELOPMENT, MANUFACTURE, OR SALE OF PROCESSES OR PRODUCTS WITHOUT THE EXPRESS WRITTEN CONSENT OF TESLA MOTORS.

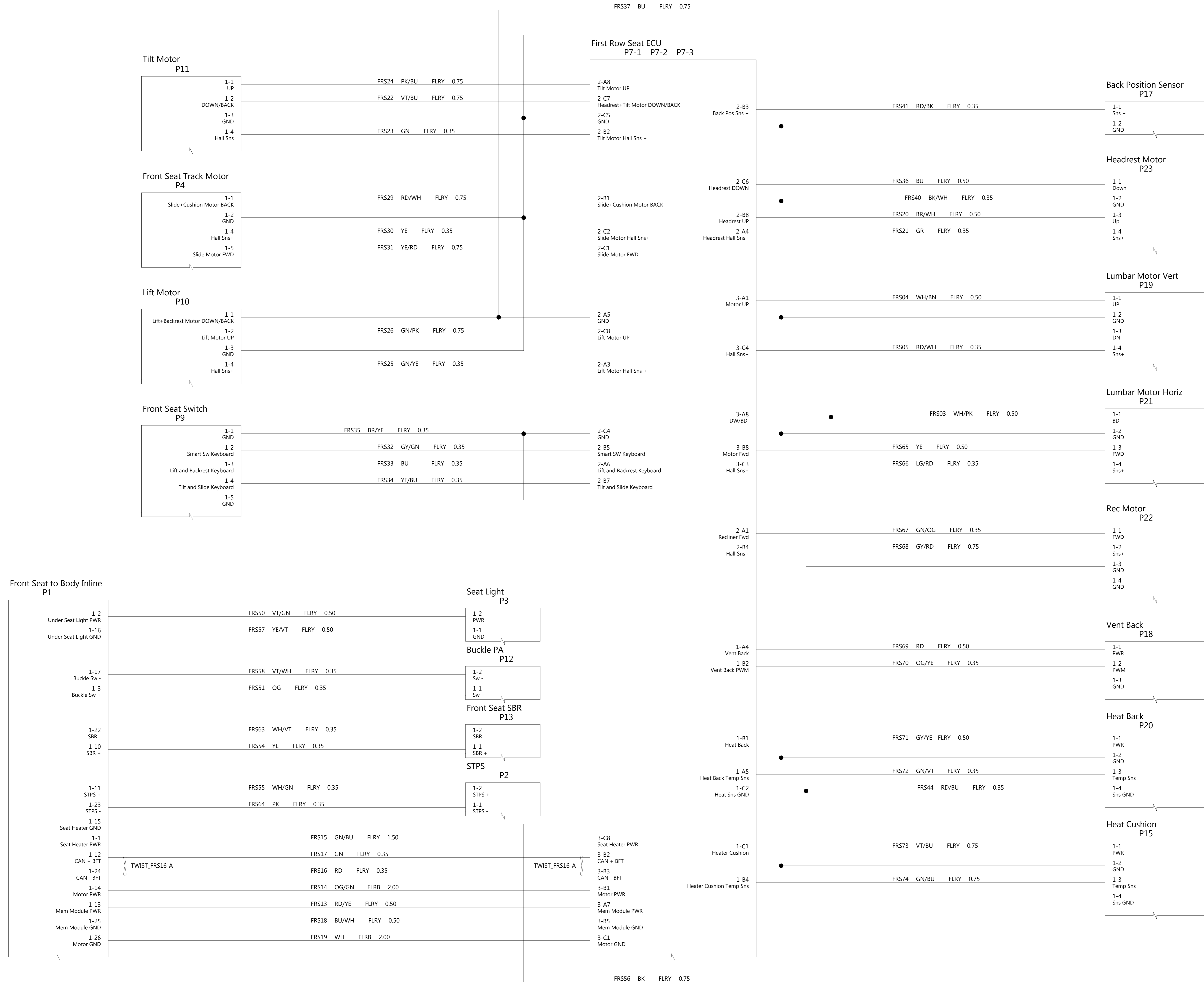
DRAWN	CHECKED	APPROVED
MATERIAL AS SPECIFIED	FINISHING AS SPECIFIED	SCALE NONE
PART NAME Falcon Doors:2:Falcon Doors (EM) + SNS CAN-Falcon Doors - UltraSonics		
PART NUMBER	REV 4	SHEET 31 OF 65
		SIZE A0



THE INFORMATION CONTAINED HEREIN IS DEEMED TO BE CONFIDENTIAL, PROPRIETARY, AND A TRADE SECRET OF TESLA MOTORS. THIS INFORMATION MAY NOT BE USED, REPRODUCED, OR DISCLOSED AS THE DIRECT OR INDIRECT BASIS FOR THE DEVELOPMENT, MANUFACTURE, OR SALE OF PROCESSES OR PRODUCTS WITHOUT THE EXPRESSED WRITTEN CONSENT OF TESLA MOTORS.

DRAWN	CHECKED	APPROVED
MATERIAL AS SPECIFIED	FINISHING AS SPECIFIED	SCALE NONE
PART NAME Front Seat Interface LHS:1:Front Seat Interface LHS (DV2) MCU1.5)-Front Seat Interface LHS		
PART NUMBER	REV 4	SHEET 32 OF 65
		SIZE A0

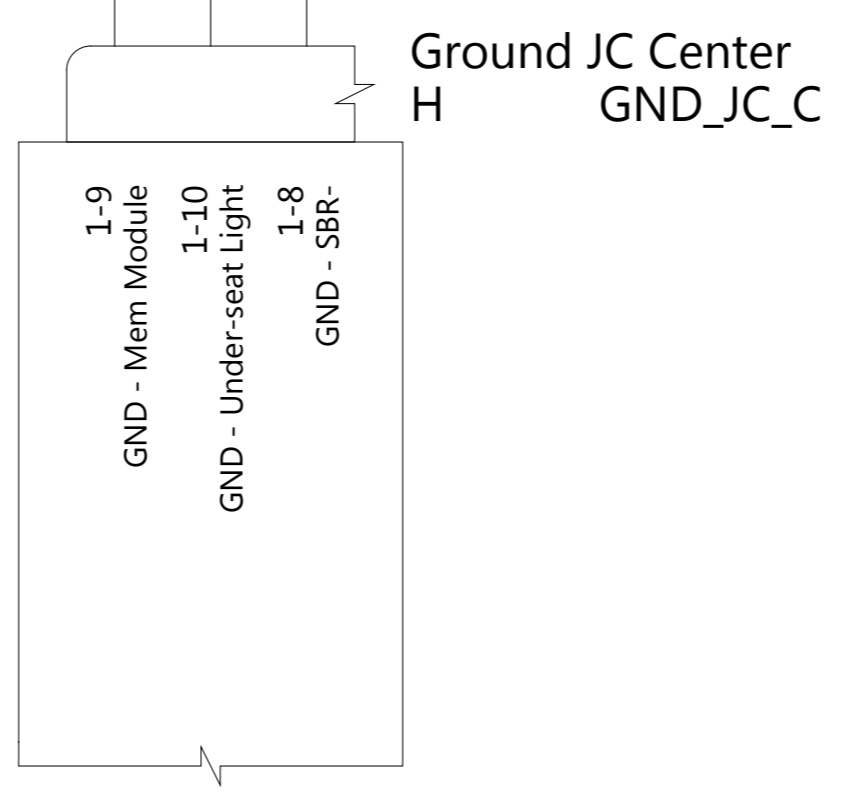
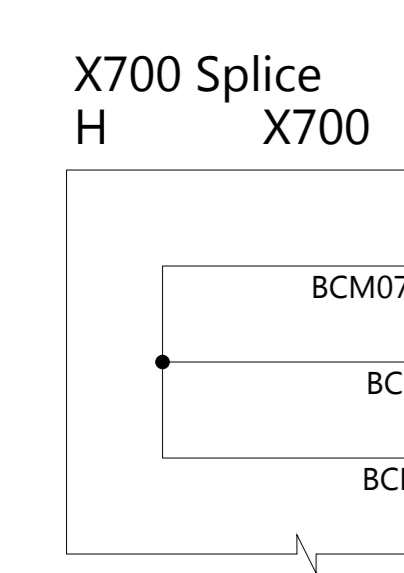
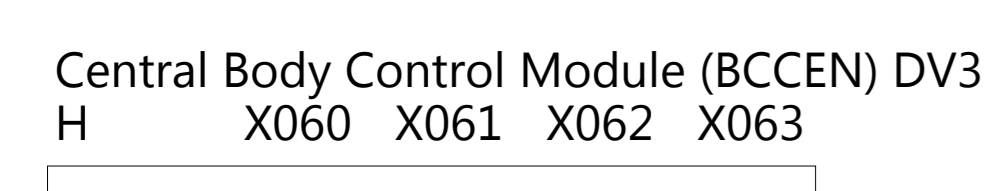
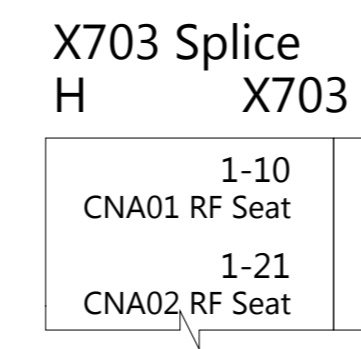
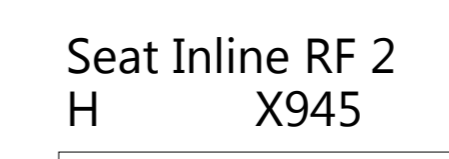
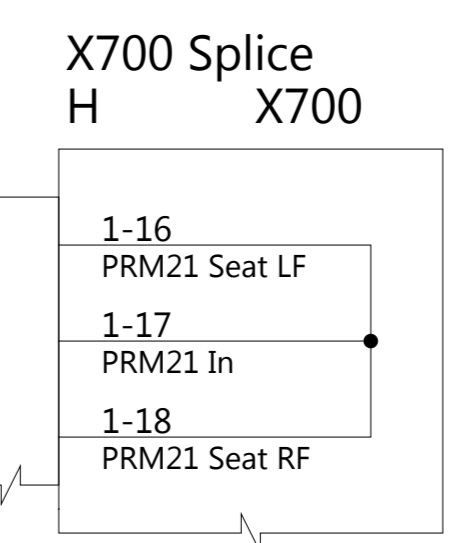
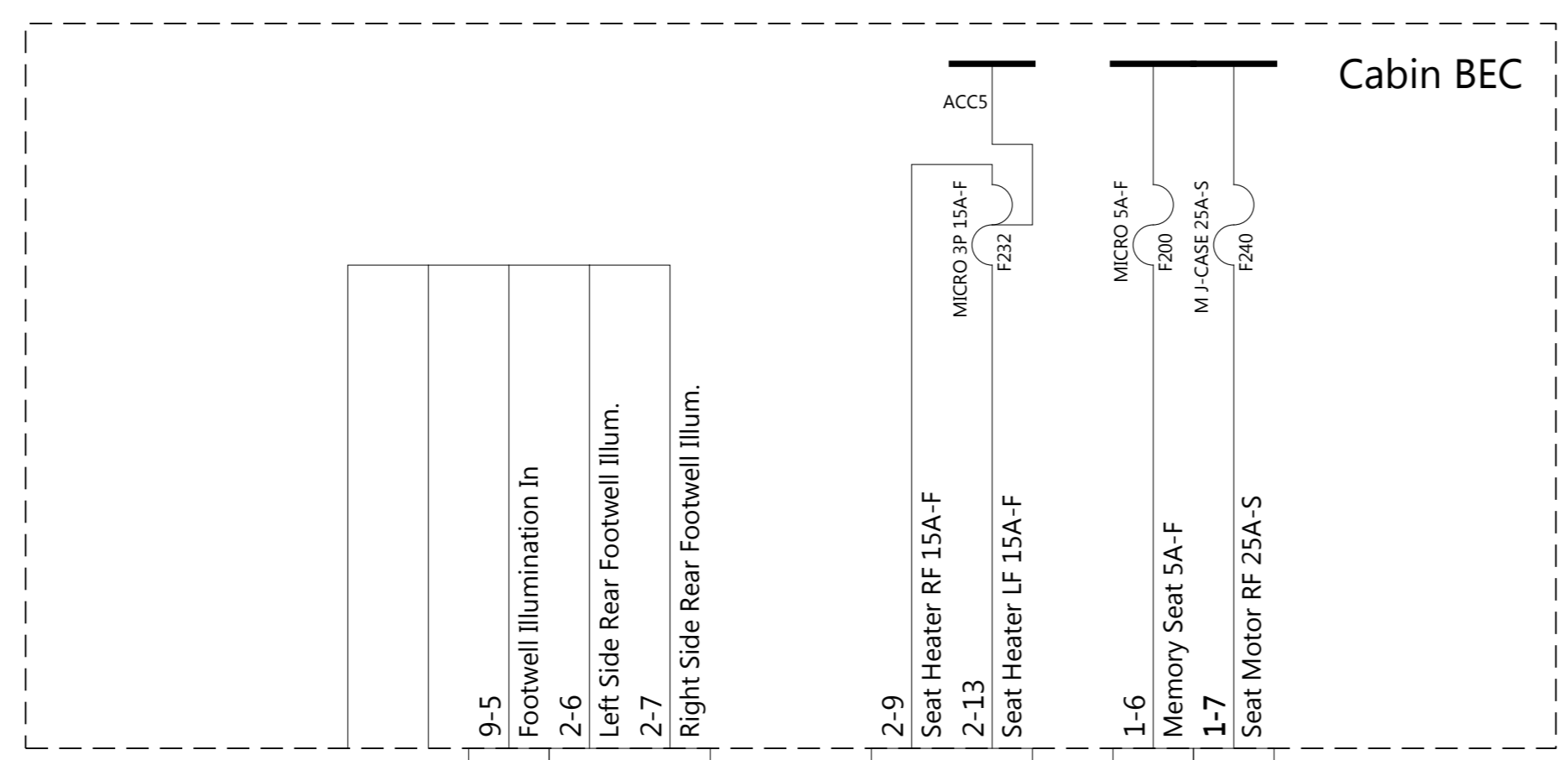




**TESLA**

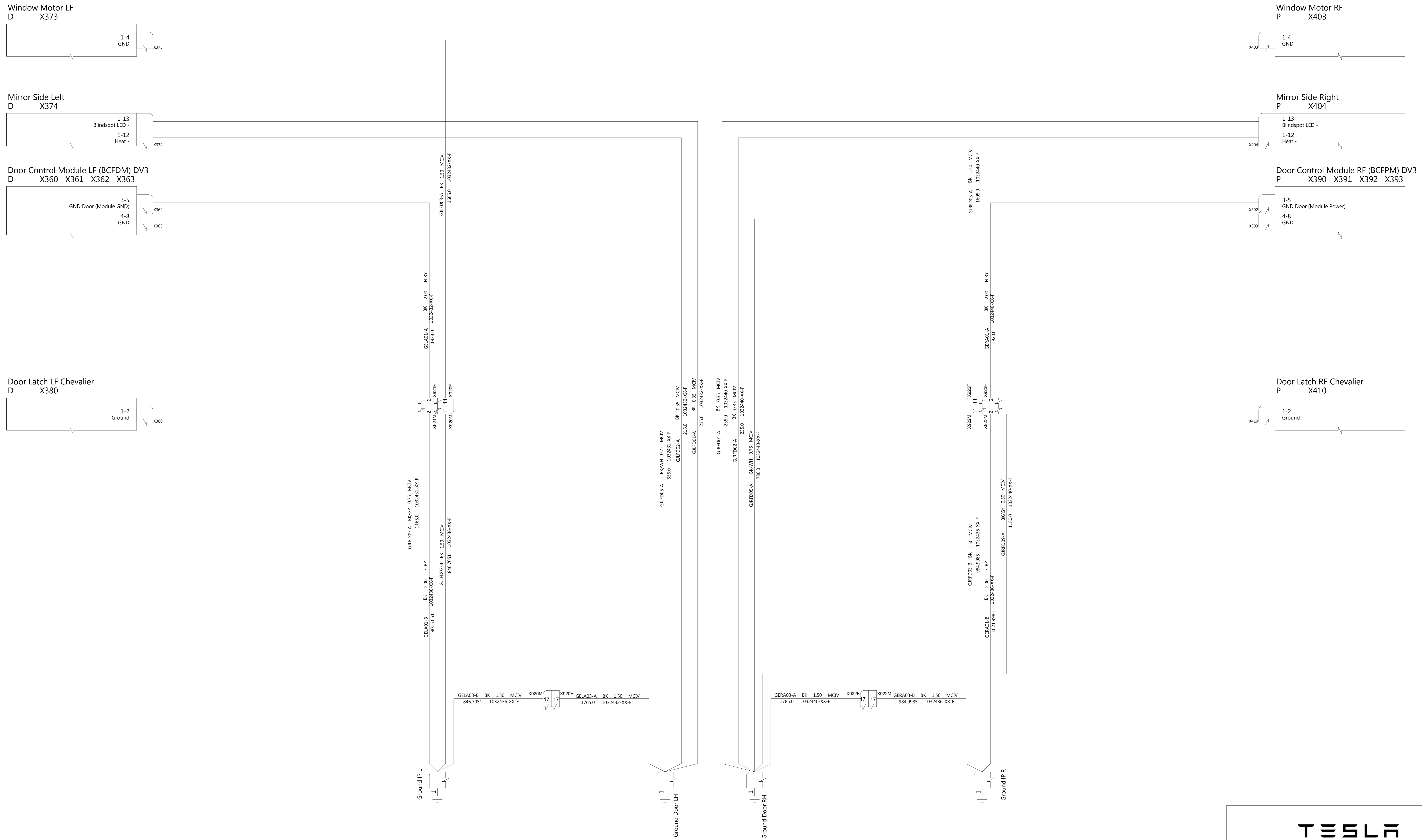
THE INFORMATION CONTAINED HEREIN IS DESIGNED TO BE CONFIDENTIAL, PROPRIETARY, AND A TRADE SECRET OF TESLA MOTORS. THIS INFORMATION MAY NOT BE USED, REPRODUCED, OR DISCLOSED AS THE OBJECT OR SUBJECT MATTER FOR THE DEVELOPMENT, MANUFACTURE, OR SALE OF PROCESSES OR PRODUCTS WITHOUT THE EXPRESS WRITTEN CONSENT OF TESLA MOTORS.

DRAWN	CHECKED	APPROVED
MATERIAL <b>AS SPECIFIED</b>	FINISHING <b>AS SPECIFIED</b>	SCALE <b>NONE</b>
PART NAME Front Seat Interface LHS - Internal Wiring for both Fr Seats		
PART NUMBER	REV <b>1</b>	SHEET <b>2 OF 2</b>
		SIZE <b>A0</b>



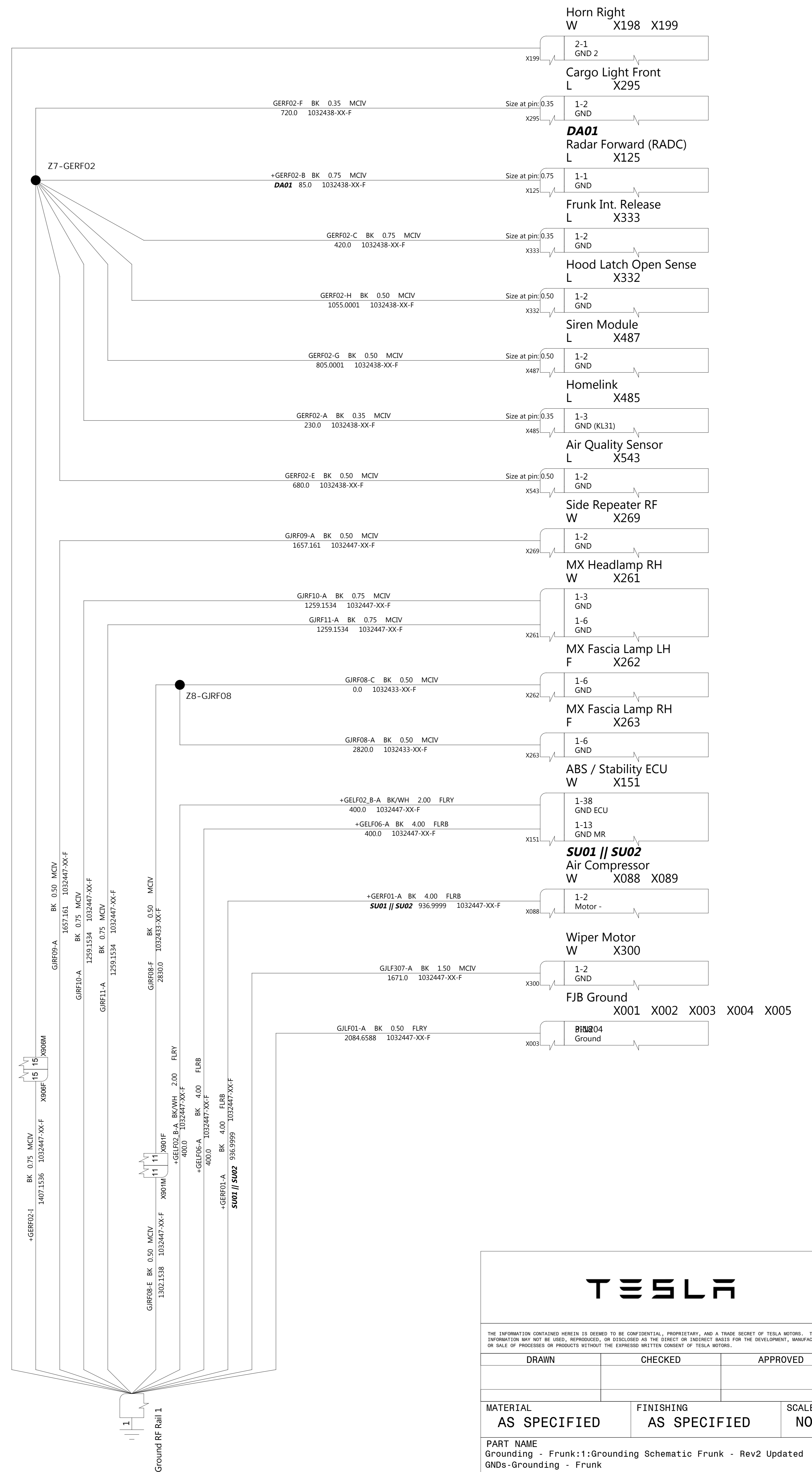
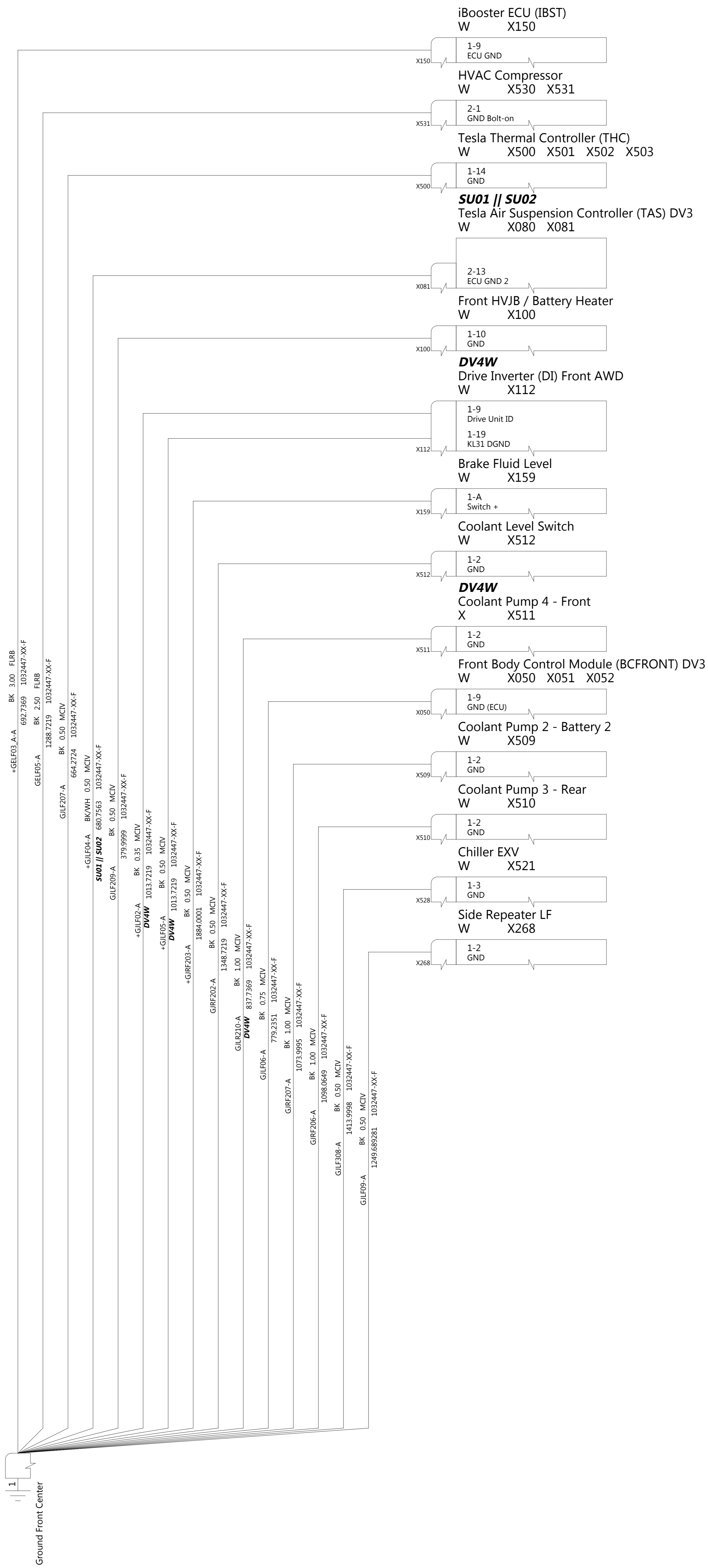
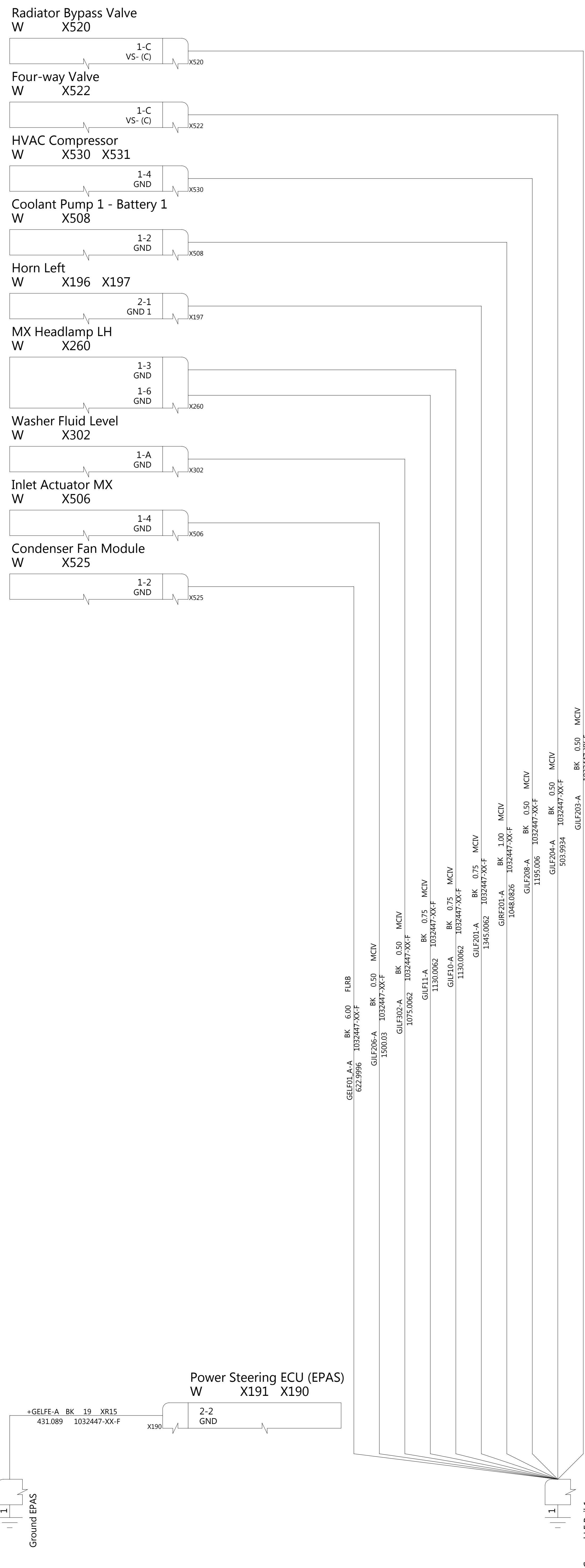
THE INFORMATION CONTAINED HEREIN IS DEEMED TO BE CONFIDENTIAL, PROPRIETARY, AND A TRADE SECRET OF TESLA MOTORS. THIS INFORMATION MAY NOT BE USED, REPRODUCED, OR DISCLOSED AS THE DIRECT OR INDIRECT BASIS FOR THE DEVELOPMENT, MANUFACTURE, OR SALE OF PROCESSES OR PRODUCTS WITHOUT THE EXPRESSED WRITTEN CONSENT OF TESLA MOTORS.

DRAWN	CHECKED	APPROVED
MATERIAL AS SPECIFIED	FINISHING AS SPECIFIED	SCALE NONE
PART NAME Front Seat Interface RHS:1:Front Seat Interface RHS (DV2 MCU1.5)-Front Seat Interface RHS		
PART NUMBER	REV 4	SHEET 33 OF 65
		SIZE A0



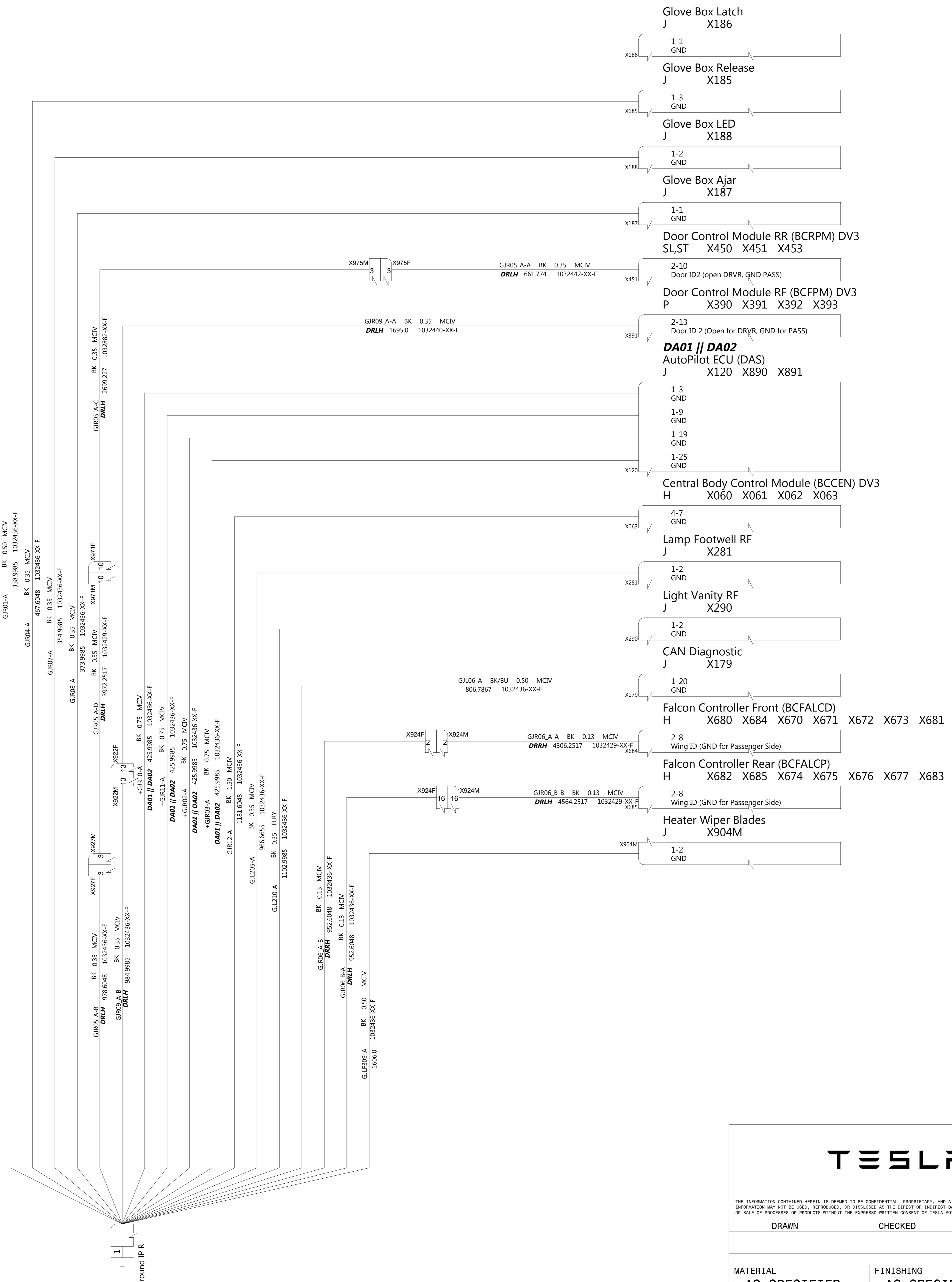
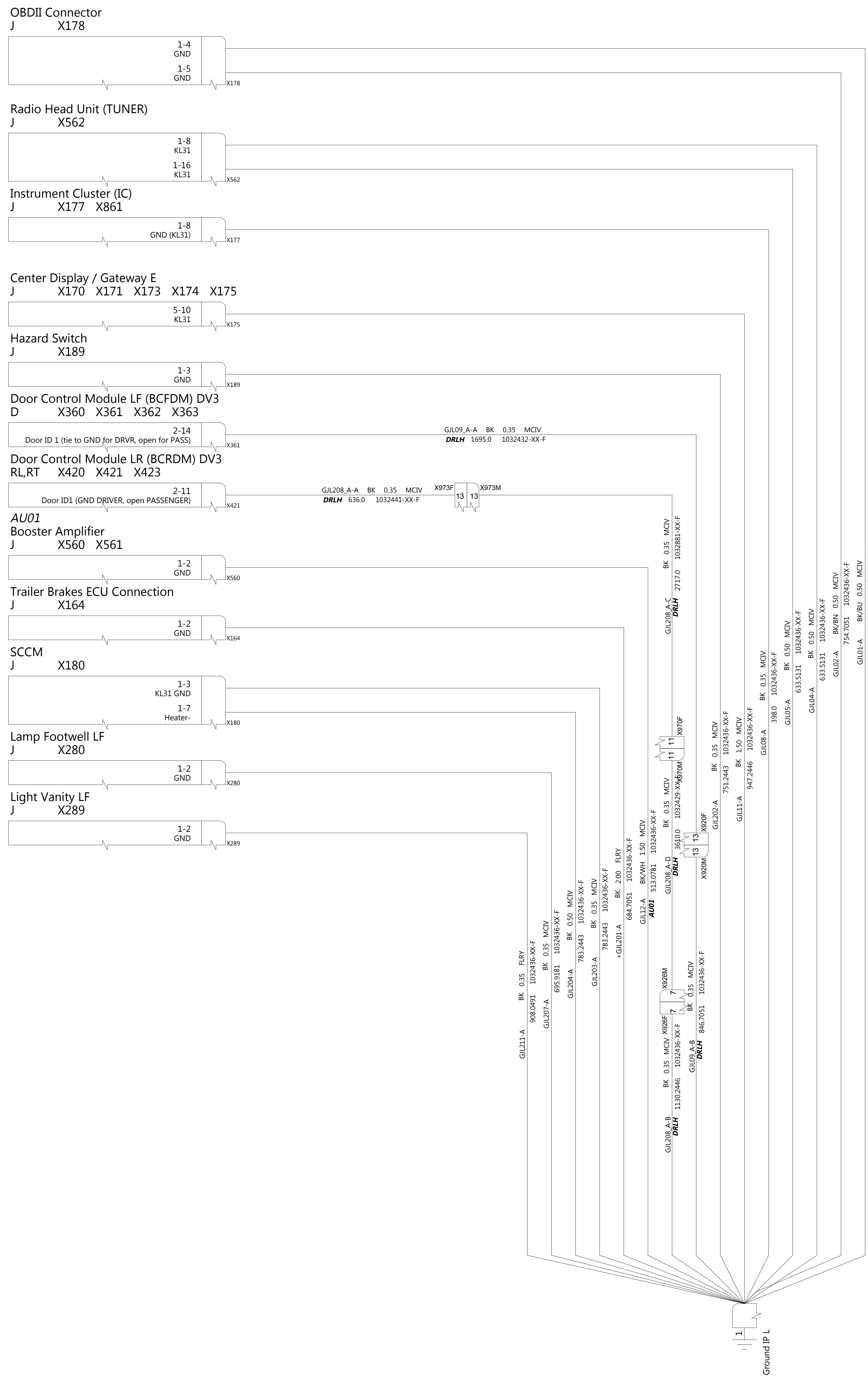
THE INFORMATION CONTAINED HEREIN IS DEEMED TO BE CONFIDENTIAL, PROPRIETARY, AND A TRADE SECRET OF TESLA MOTORS. THIS INFORMATION MAY NOT BE USED, REPRODUCED, OR DISCLOSED AS THE DIRECT OR INDIRECT BASIS FOR THE DEVELOPMENT, MANUFACTURE, OR SALE OF PROCESSES OR PRODUCTS WITHOUT THE EXPRESSED WRITTEN CONSENT OF TESLA MOTORS.

DRAWN	CHECKED	APPROVED
MATERIAL AS SPECIFIED	FINISHING AS SPECIFIED	SCALE NONE
PART NAME Grounding - A-Pillars:1:Grounding schematic for A-Pillar grounds-Grounding - A-Pillars		
PART NUMBER	REV 4	SHEET 34 OF 65
		SIZE A0



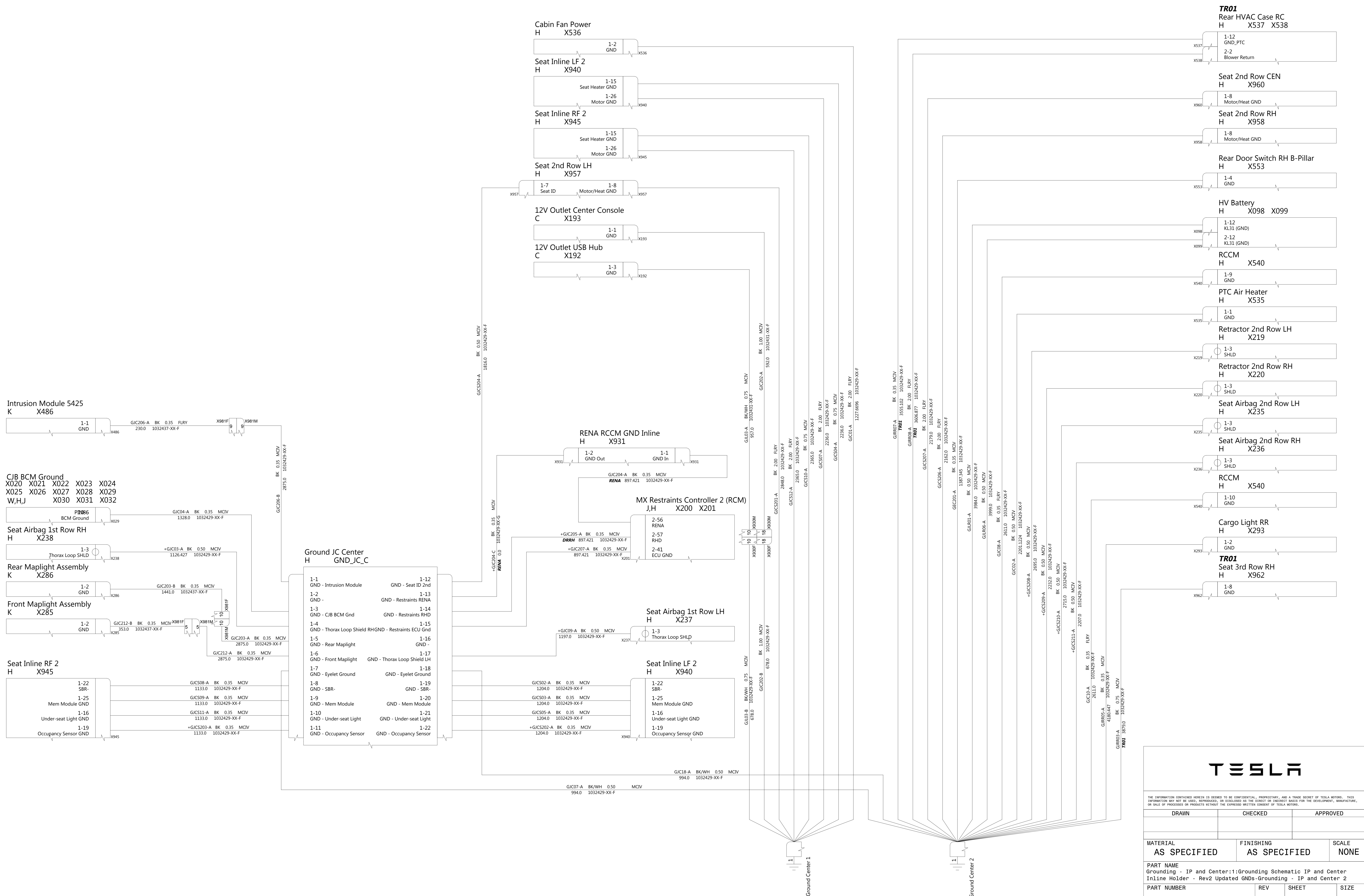
THE INFORMATION CONTAINED HEREIN IS DEEMED TO BE CONFIDENTIAL, PROPRIETARY, AND A TRADE SECRET OF TESLA MOTORS. THIS INFORMATION MAY NOT BE USED, REPRODUCED, OR DISCLOSED AS THE DIRECT OR INDIRECT BASIS FOR THE DEVELOPMENT, MANUFACTURE, OR SALE OF PROCESSES OR PRODUCTS WITHOUT THE EXPRESS WRITTEN CONSENT OF TESLA MOTORS.

DRAWN	CHECKED	APPROVED
MATERIAL AS SPECIFIED	FINISHING AS SPECIFIED	SCALE NONE
PART NAME Grounding - Frunk:1:Grounding Schematic Frunk - Rev2 Updated		
GNDs-Grounding - Frunk		
PART NUMBER	REV	SHEET
	4	35 OF 65
		SIZE
		A0



THE INFORMATION CONTAINED HEREIN IS DEEMED TO BE CONFIDENTIAL, PROPRIETARY, AND A TRADE SECRET OF TESLA MOTORS. THIS INFORMATION MAY NOT BE USED, REPRODUCED, OR DISCLOSED AS THE DIRECT OR INDIRECT BASIS FOR THE DEVELOPMENT, MANUFACTURE, OR SALE OF PROCESSES OR PRODUCTS WITHOUT THE EXPRESS WRITTEN CONSENT OF TESLA MOTORS.

DRAWN	CHECKED	APPROVED
MATERIAL AS SPECIFIED	FINISHING AS SPECIFIED	SCALE NONE
PART NAME Grounding - IP and Center:1:Grounding Schematic IP and Center Inline Holder - Rev2 Updated GNDS-Grounding - IP and Center		
PART NUMBER	REV	SHEET
	4	36 of 65
		SIZE
		A0



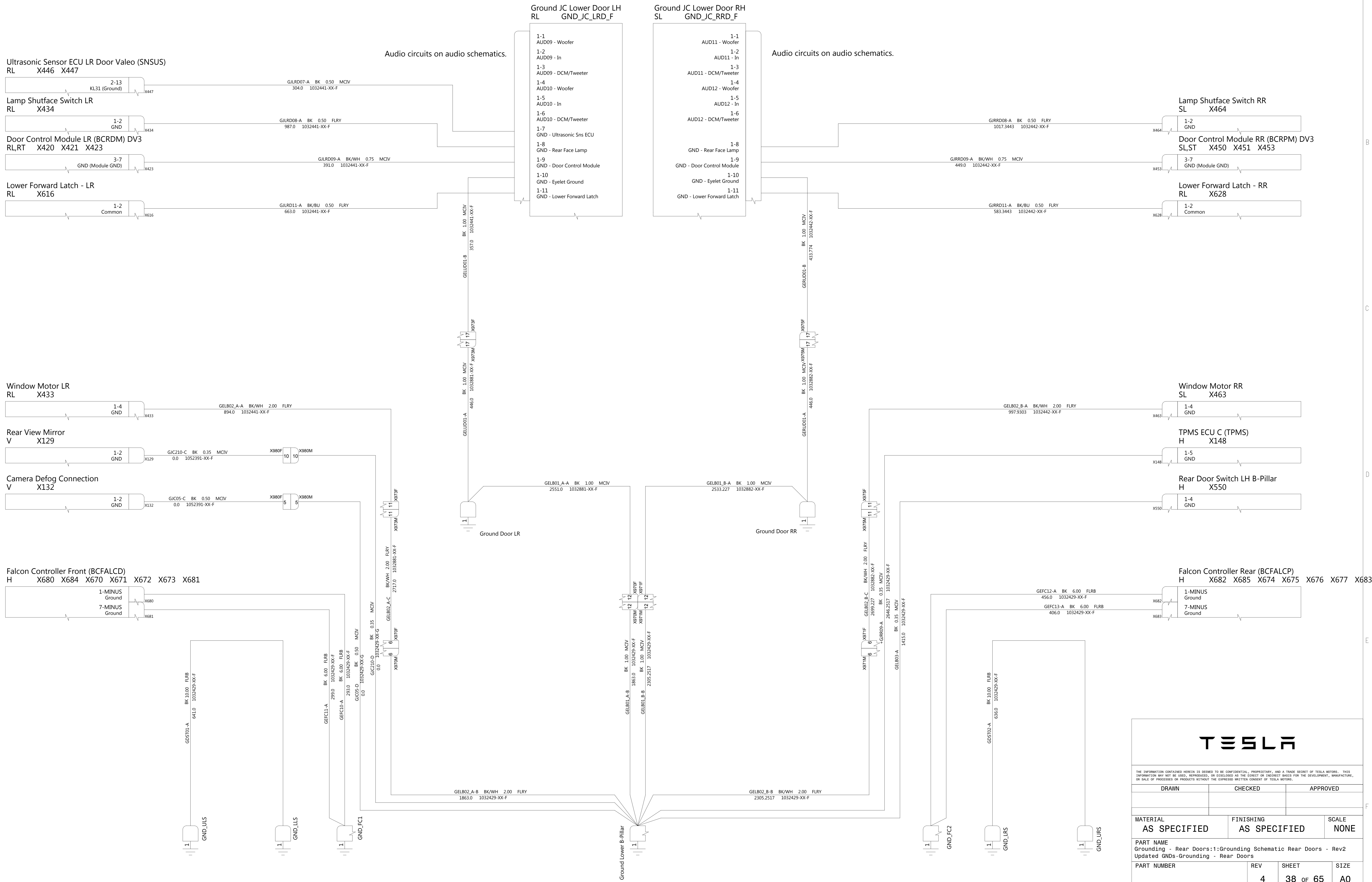
THE INFORMATION CONTAINED HEREIN IS DEEMED TO BE CONFIDENTIAL, PROPRIETARY, AND A TRADE SECRET OF TESLA MOTORS. THIS INFORMATION MAY NOT BE USED, REPRODUCED, OR DISCLOSED AS THE DIRECT OR INDIRECT BASIS FOR THE DEVELOPMENT, MANUFACTURE, OR SALE OF PROCESSES OR PRODUCTS WITHOUT THE EXPRESSED WRITTEN CONSENT OF TESLA MOTORS.

DRAWN	CHECKED	APPROVED
-------	---------	----------

MATERIAL AS SPECIFIED	FINISHING AS SPECIFIED	SCALE NONE
--------------------------	---------------------------	---------------

PART NAME  
Grounding - IP and Center:1:Grounding Schematic IP and Center  
Inline Holder - Rev2 Updated GNDs-Grounding - IP and Center 2

PART NUMBER	REV	SHEET	SIZE
	4	37 OF 65	A0



Ground JC Lower Door LH  
RL GND\_JC\_LRD\_F

Ground JC Lower Door RH  
SL GND\_JC\_RRD\_F

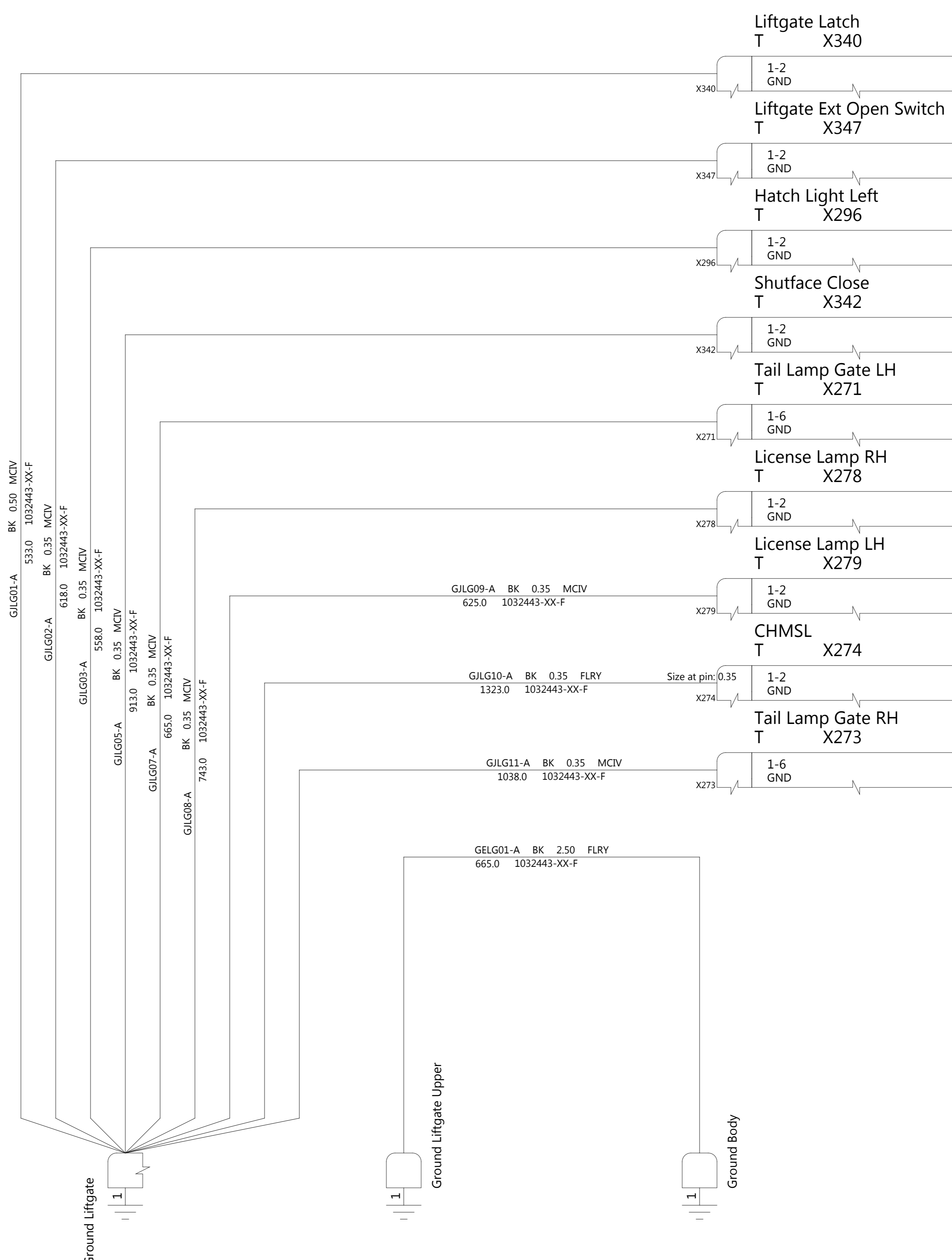
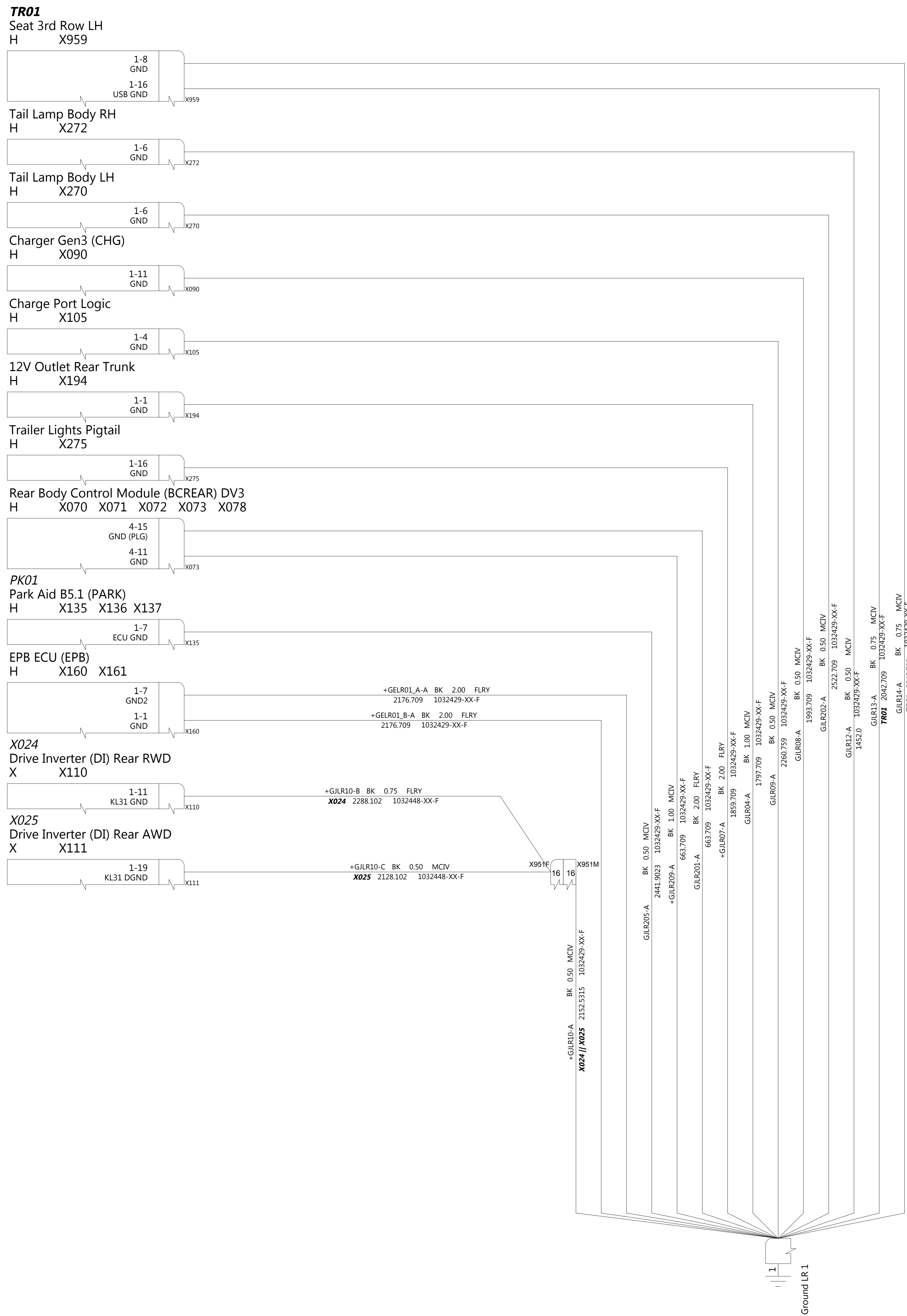
Audio circuits on audio schematics.

Audio circuits on audio schematics.

**TESLA**

THE INFORMATION CONTAINED HEREIN IS DEEMED TO BE CONFIDENTIAL, PROPRIETARY, AND A TRADE SECRET OF TESLA MOTORS. THIS INFORMATION MAY NOT BE USED, REPRODUCED, OR DISCLOSED AS THE DIRECT OR INDIRECT BASIS FOR THE DEVELOPMENT, MANUFACTURE, OR SALE OF PROCESSES OR PRODUCTS WITHOUT THE EXPRESS WRITTEN CONSENT OF TESLA MOTORS.

DRAWN	CHECKED	APPROVED
MATERIAL <b>AS SPECIFIED</b>	FINISHING <b>AS SPECIFIED</b>	SCALE <b>NONE</b>
PART NAME Grounding - Rear Doors:1:Grounding Schematic Rear Doors - Rev2 Updated GNDS-Grounding - Rear Doors		
PART NUMBER	REV <b>4</b>	SHEET <b>38 OF 65</b>
		SIZE <b>A0</b>



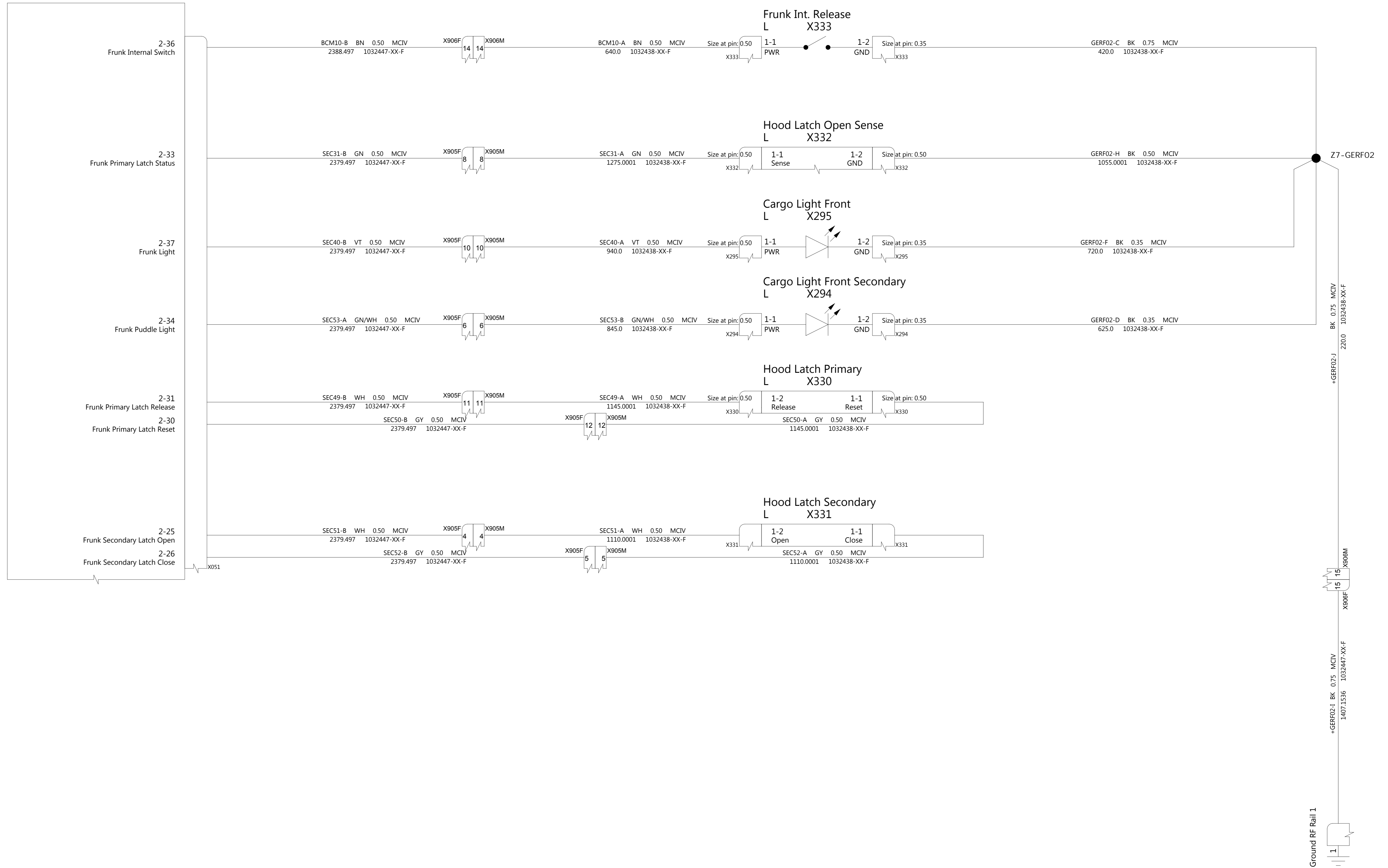
**TESLA**

THE INFORMATION CONTAINED HEREIN IS DEEMED TO BE CONFIDENTIAL, PROPRIETARY, AND A TRADE SECRET OF TESLA MOTORS. THIS INFORMATION MAY NOT BE USED, REPRODUCED, OR DISCLOSED AS THE DIRECT OR INDIRECT BASIS FOR THE DEVELOPMENT, MANUFACTURE, OR SALE OF PROCESSES OR PRODUCTS WITHOUT THE EXPRESS WRITTEN CONSENT OF TESLA MOTORS.

DRAWN	CHECKED	APPROVED
MATERIAL AS SPECIFIED	FINISHING AS SPECIFIED	SCALE NONE
PART NAME Grounding - Rear:1:Grounding Schematic Rear Corners and Liftgate - Rev2 Updated GNDs-Grounding - Rear		
PART NUMBER	REV 4	SHEET 39 OF 65
		SIZE A0



Front Body Control Module (BCFRONT) DV3  
W X050 X051 X052



THE INFORMATION CONTAINED HEREIN IS DEEMED TO BE CONFIDENTIAL, PROPRIETARY, AND A TRADE SECRET OF TESLA MOTORS. THIS INFORMATION MAY NOT BE USED, REPRODUCED, OR DISCLOSED AS THE DIRECT OR INDIRECT BASIS FOR THE DEVELOPMENT, MANUFACTURE, OR SALE OF PROCESSES OR PRODUCTS WITHOUT THE EXPRESSED WRITTEN CONSENT OF TESLA MOTORS.

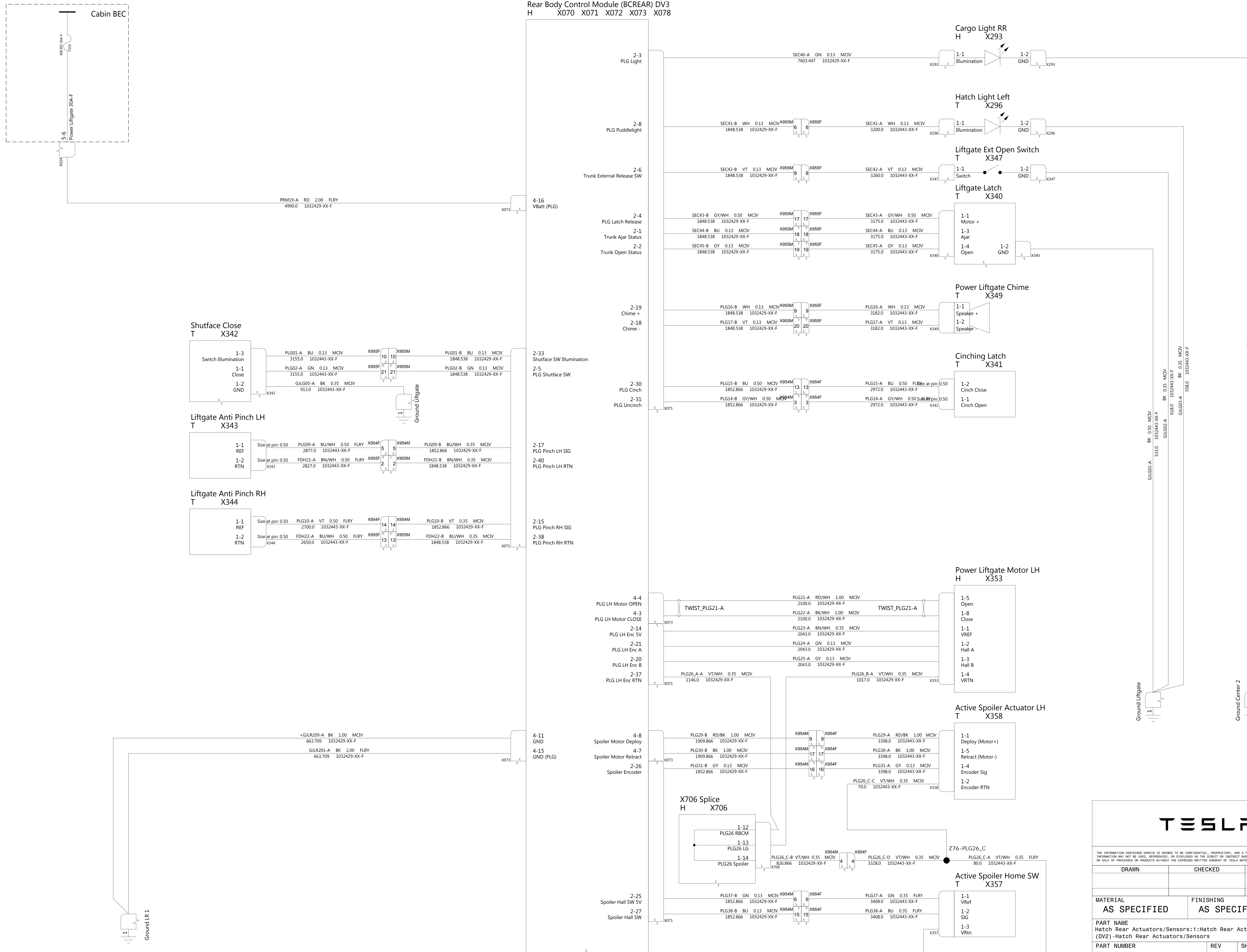
DRAWN	CHECKED	APPROVED
-------	---------	----------

MATERIAL AS SPECIFIED	FINISHING AS SPECIFIED	SCALE NONE
--------------------------	---------------------------	---------------

PART NAME  
Hatch Front Actuators/Sensors:1:Hatch Front Actuators / Sensors (DV2)-Hatch Front Actuators/Sensors

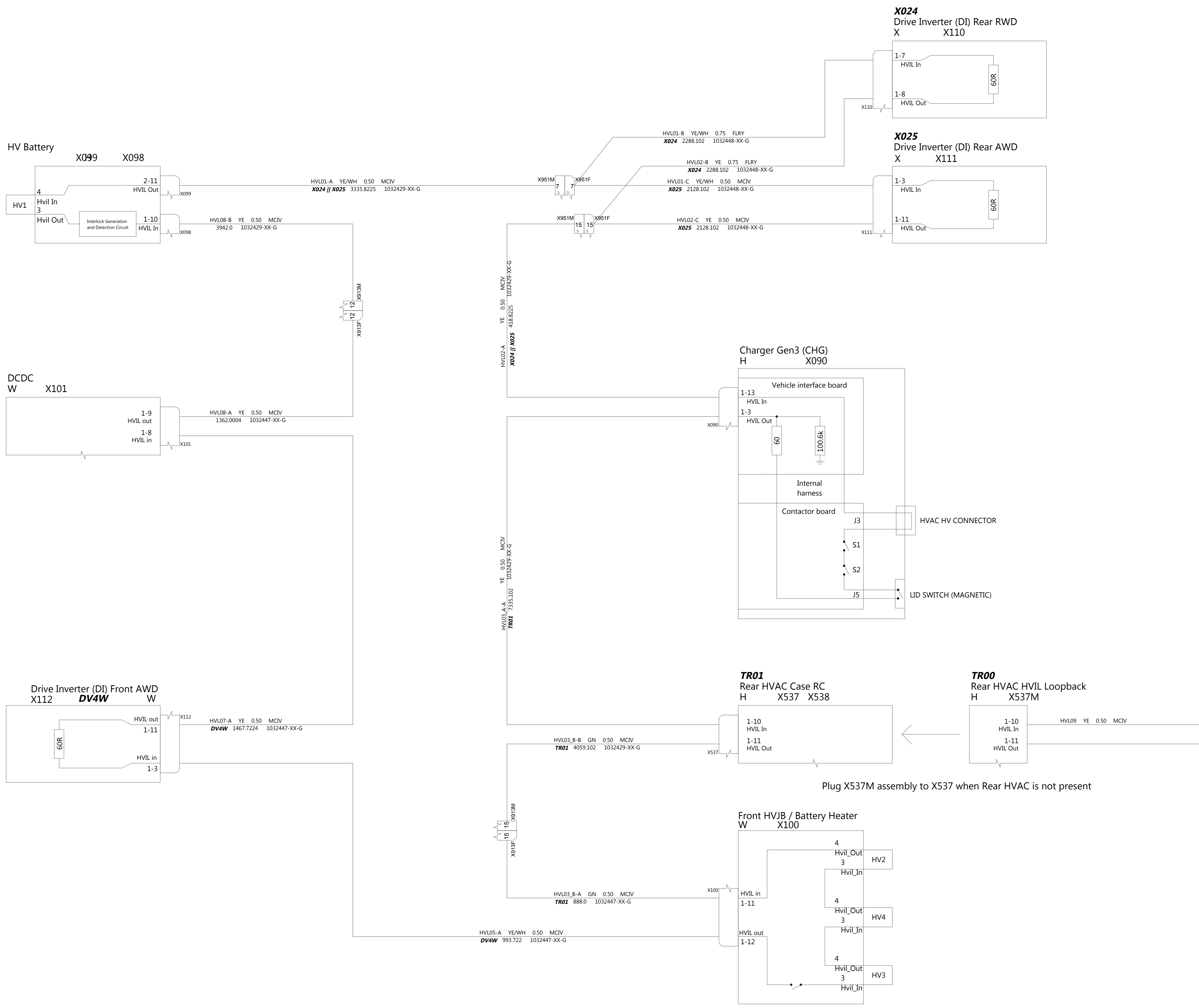
PART NUMBER	REV	SHEET	SIZE
	4	40 OF 65	A0

Rear Body Control Module (BCREAR) DV3  
H X070 X071 X072 X073 X078



THE INFORMATION CONTAINED HEREIN IS DEEMED TO BE CONFIDENTIAL, PROPRIETARY, AND A TRADE SECRET OF TESLA MOTORS. THIS INFORMATION MAY NOT BE USED, REPRODUCED, OR DISCLOSED AS THE DIRECT OR INDIRECT BASIS FOR THE DEVELOPMENT, MANUFACTURE, OR SALE OF PROCESSES OR PRODUCTS WITHOUT THE EXPRESS WRITTEN CONSENT OF TESLA MOTORS.

DRAWN	CHECKED	APPROVED
MATERIAL AS SPECIFIED	FINISHING AS SPECIFIED	SCALE NONE
PART NAME Hatch Rear Actuators/Sensors:1:Hatch Rear Actuators/Sensors (DV2)-Hatch Rear Actuators/Sensors		
PART NUMBER	REV 4	SHEET 41 OF 65
		SIZE A0



Plug X537M assembly to X537 when Rear HVAC is not present



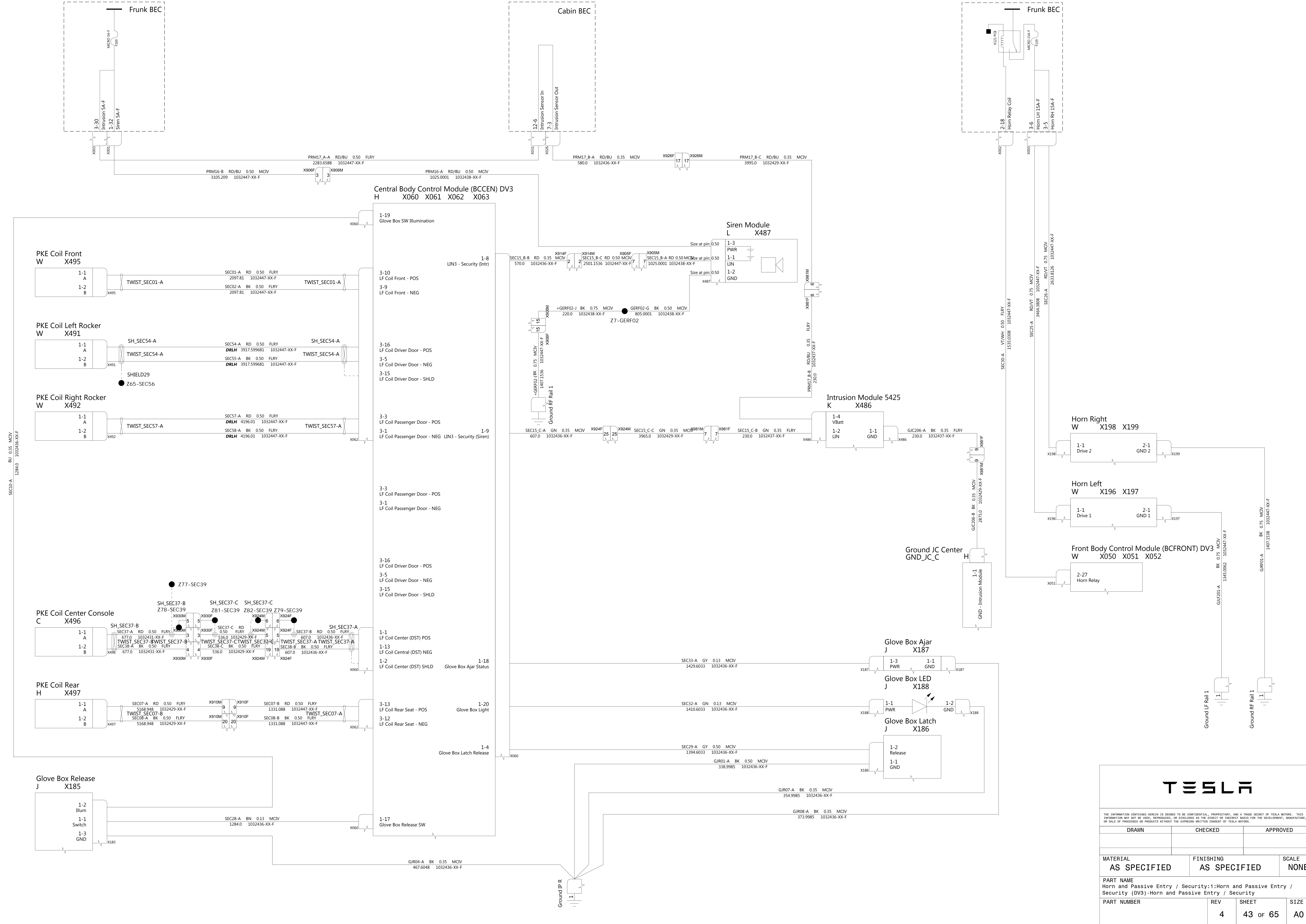
THE INFORMATION CONTAINED HEREIN IS DEEMED TO BE CONFIDENTIAL, PROPRIETARY, AND A TRADE SECRET OF TESLA MOTORS. THIS INFORMATION MAY NOT BE USED, REPRODUCED, OR DISCLOSED AS THE OBJECT OR SUBJECT MATTER FOR THE DEVELOPMENT, MANUFACTURE, OR SALE OF PROCESSES OR PRODUCTS WITHOUT THE EXPRESS WRITTEN CONSENT OF TESLA MOTORS.

DRAWN	CHECKED	APPROVED
-------	---------	----------

MATERIAL AS SPECIFIED	FINISHING AS SPECIFIED	SCALE NONE
--------------------------	---------------------------	---------------

PART NAME  
High Voltage Interlock (HVIL):1:High Voltage Interlock (HVIL)-High Voltage Interlock (HVIL)

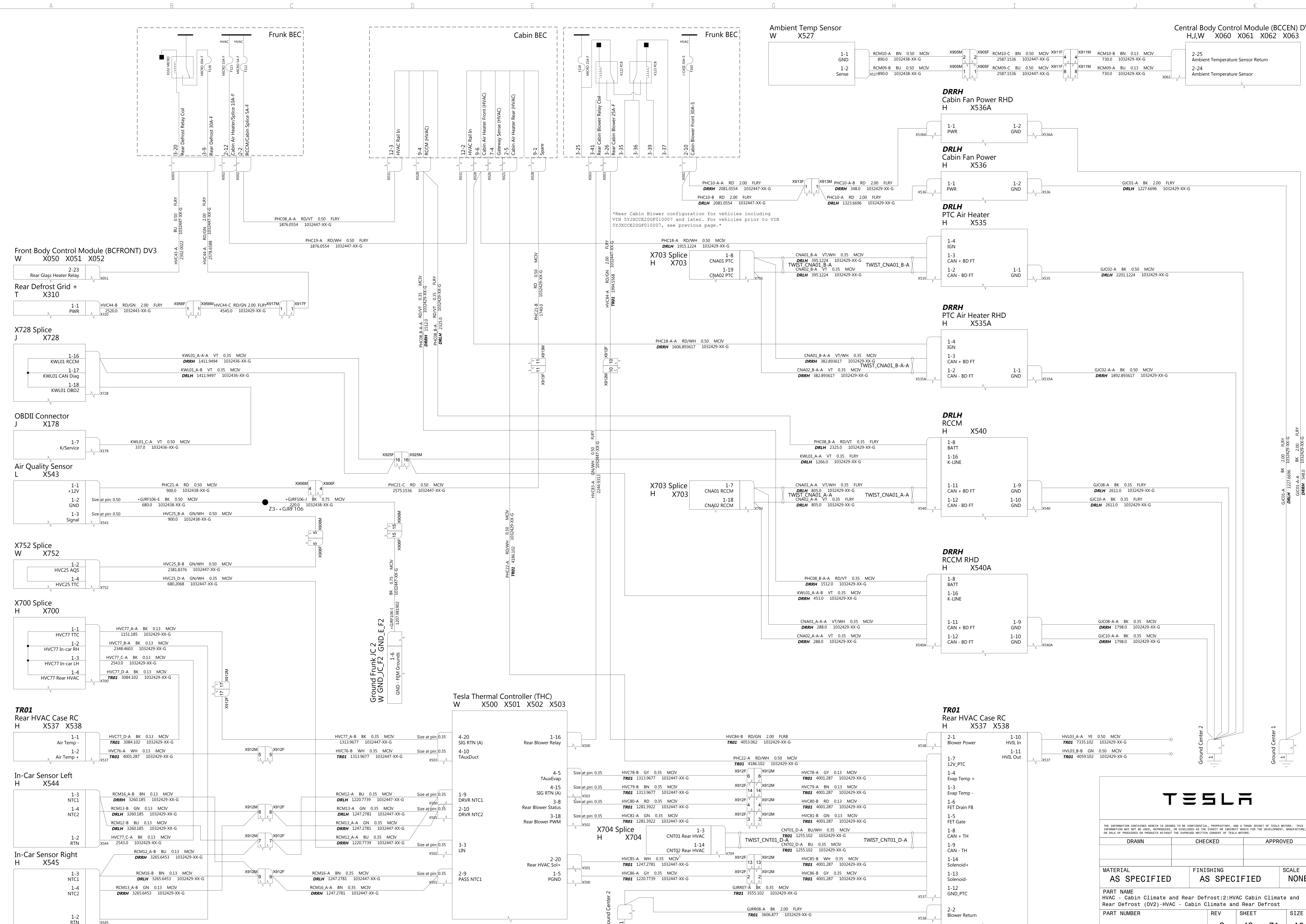
PART NUMBER	REV 2	SHEET 46 OF 71	SIZE A0
-------------	----------	-------------------	------------



THE INFORMATION CONTAINED HEREIN IS DEEMED TO BE CONFIDENTIAL, PROPRIETARY, AND A TRADE SECRET OF TESLA MOTORS. THIS INFORMATION MAY NOT BE USED, REPRODUCED, OR DISCLOSED AS THE DIRECT OR INDIRECT BASIS FOR THE DEVELOPMENT, MANUFACTURE, OR SALE OF PROCESSES OR PRODUCTS WITHOUT THE EXPRESSED WRITTEN CONSENT OF TESLA MOTORS.

DRAWN	CHECKED	APPROVED
MATERIAL AS SPECIFIED	FINISHING AS SPECIFIED	SCALE NONE
PART NAME Horn and Passive Entry / Security:1:Horn and Passive Entry / Security (DV3)-Horn and Passive Entry / Security		
PART NUMBER	REV	SHEET
	4	43 OF 65
		SIZE A0



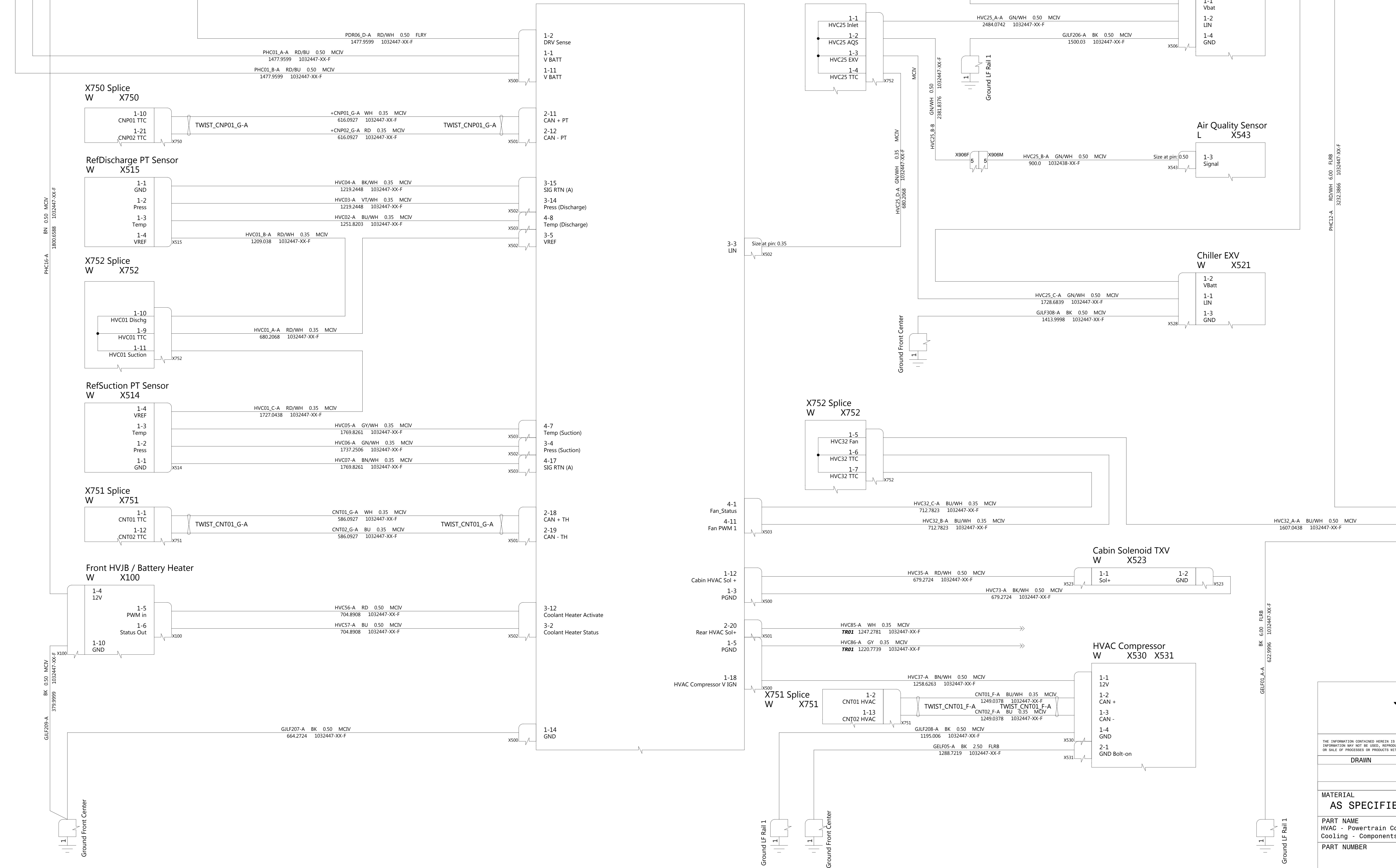


DRAWN			CHECKED			APPROVED		
MATERIAL AS SPECIFIED			FINISHING AS SPECIFIED			SCALE NONE		
PART NAME HVAC - Cabin Climate and Rear Defrost:2:HVAC Cabin Climate and Rear Defrost (DV2) - HVAC - Cabin Climate and Rear Defrost								
PART NUMBER			REV		SHEET		SIZE	
			2		49 OF 71		A0	

Frunk BEC



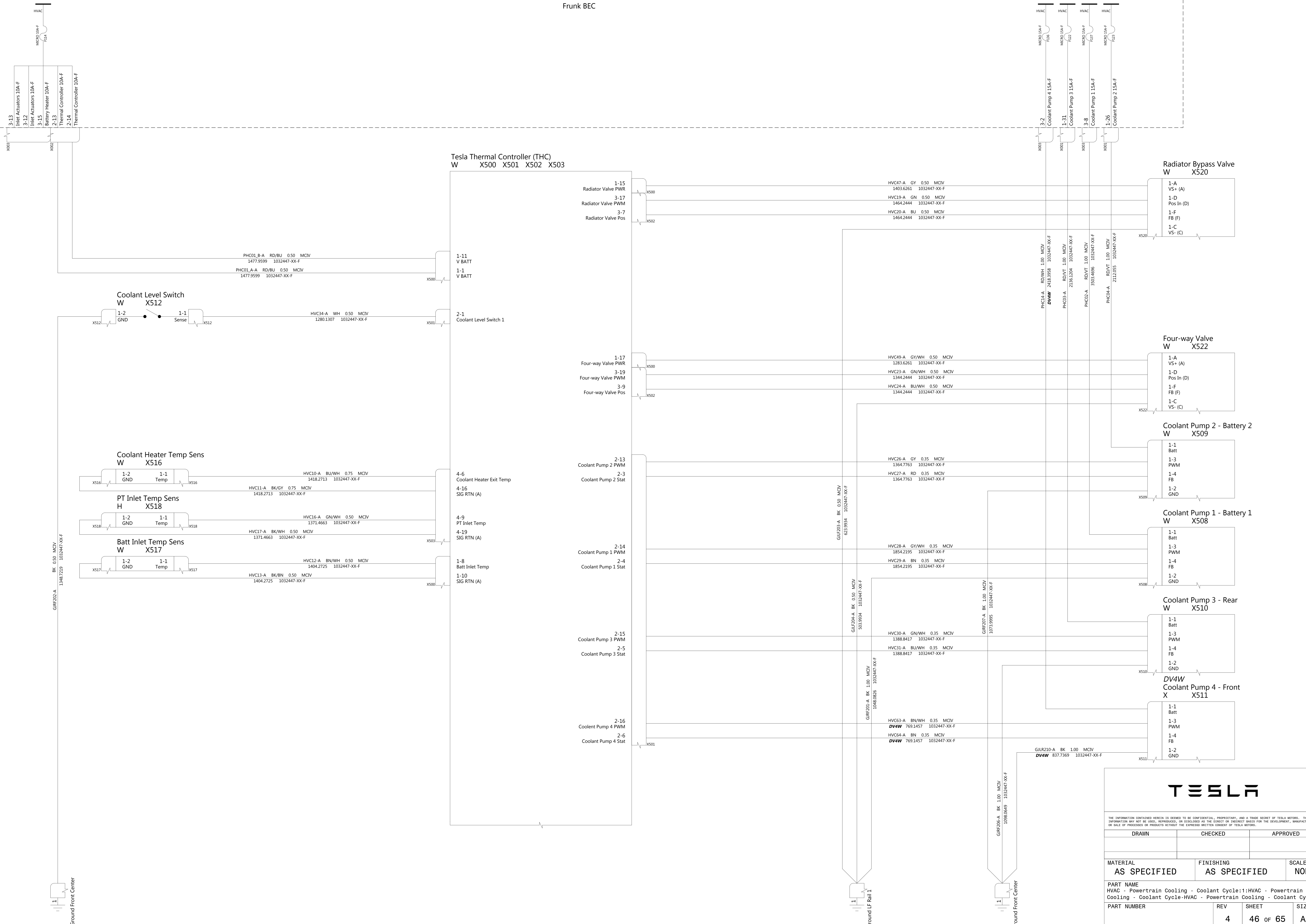
Tesla Thermal Controller (THC)  
W X500 X501 X502 X503



THE INFORMATION CONTAINED HEREIN IS DEEMED TO BE CONFIDENTIAL, PROPRIETARY, AND A TRADE SECRET OF TESLA MOTORS. THIS INFORMATION MAY NOT BE USED, REPRODUCED, OR DISCLOSED AS THE DIRECT OR INDIRECT BASIS FOR THE DEVELOPMENT, MANUFACTURE, OR SALE OF PROCESSES OR PRODUCTS WITHOUT THE EXPRESSED WRITTEN CONSENT OF TESLA MOTORS.

DRAWN	CHECKED	APPROVED
MATERIAL AS SPECIFIED	FINISHING AS SPECIFIED	SCALE NONE
PART NAME HVAC - Powertrain Cooling - Components:1:HVAC - Powertrain Cooling - Components:HVAC - Powertrain Cooling Components		
PART NUMBER	REV	SHEET
	4	45 OF 65
		SIZE A0

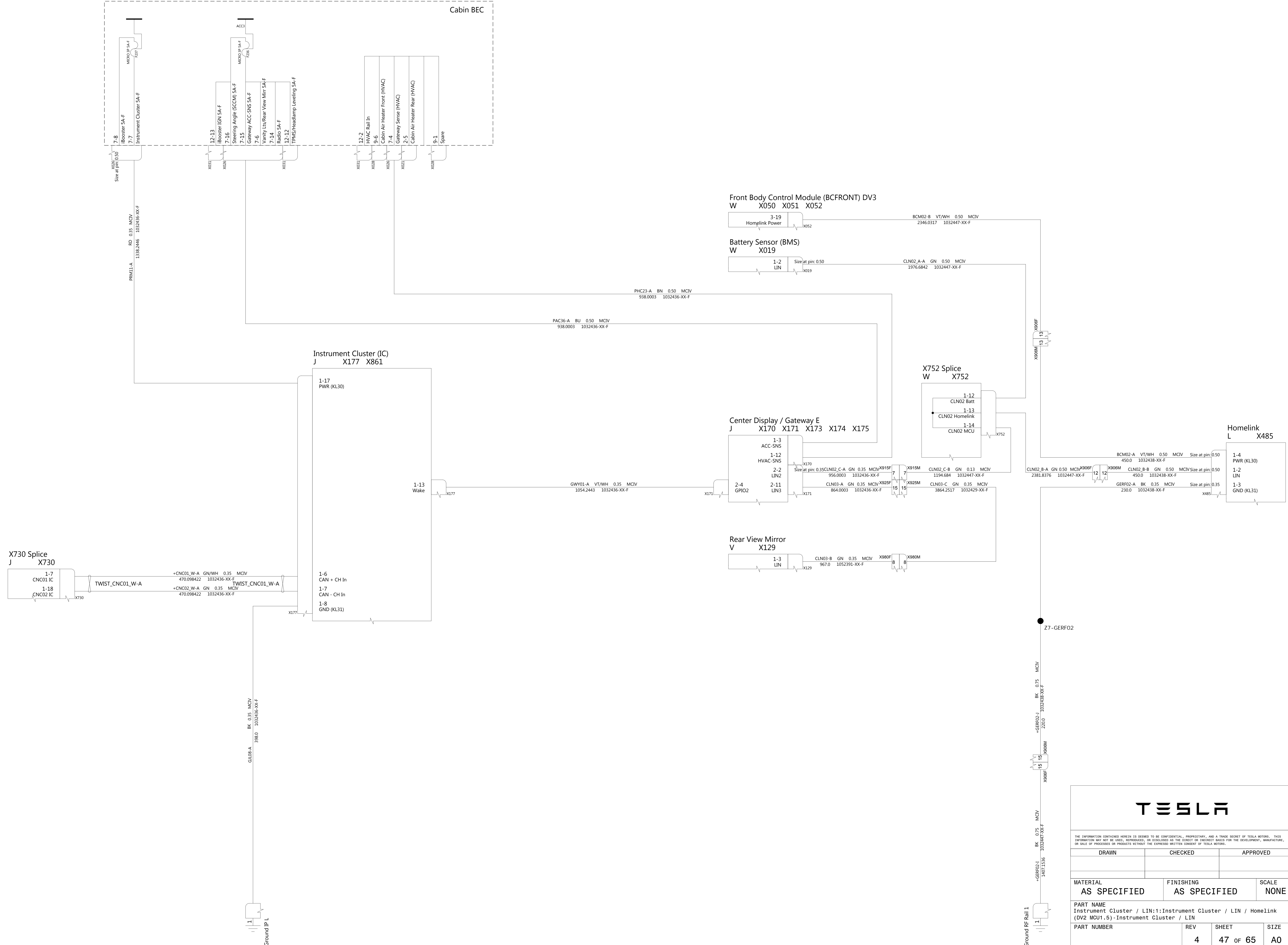
Frunk BEC



THE INFORMATION CONTAINED HEREIN IS DEEMED TO BE CONFIDENTIAL, PROPRIETARY, AND A TRADE SECRET OF TESLA MOTORS. THIS INFORMATION MAY NOT BE USED, REPRODUCED, OR DISCLOSED AS THE DIRECT OR INDIRECT BASIS FOR THE DEVELOPMENT, MANUFACTURE, OR SALE OF PROCESSES OR PRODUCTS WITHOUT THE EXPRESSED WRITTEN CONSENT OF TESLA MOTORS.

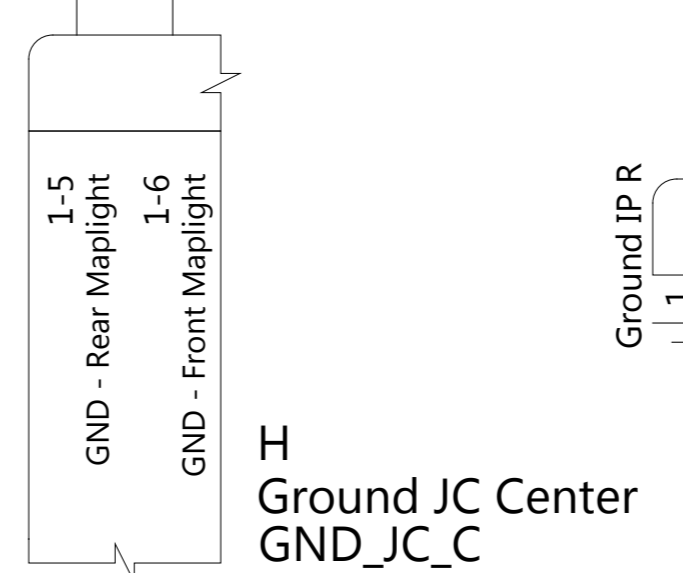
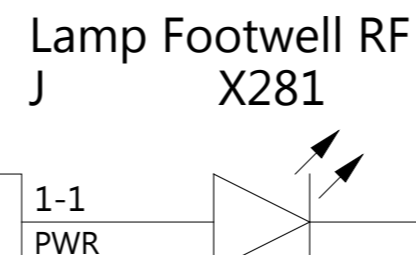
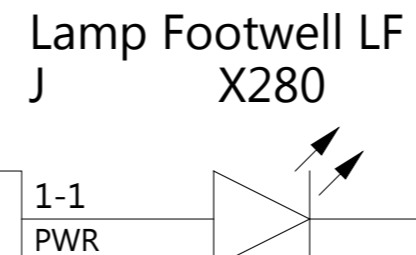
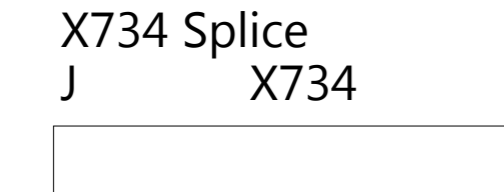
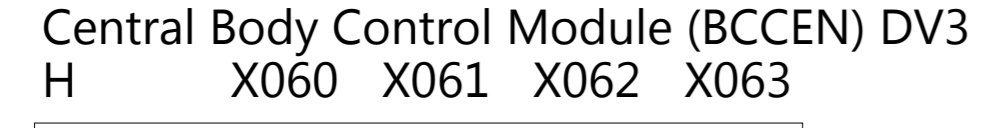
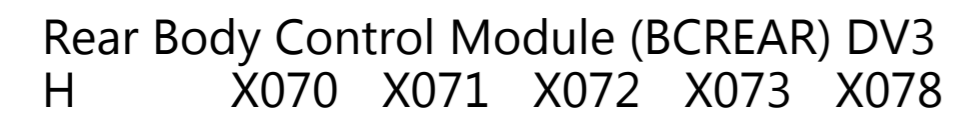
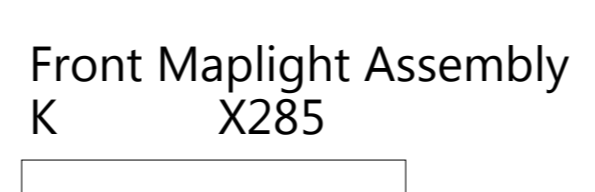
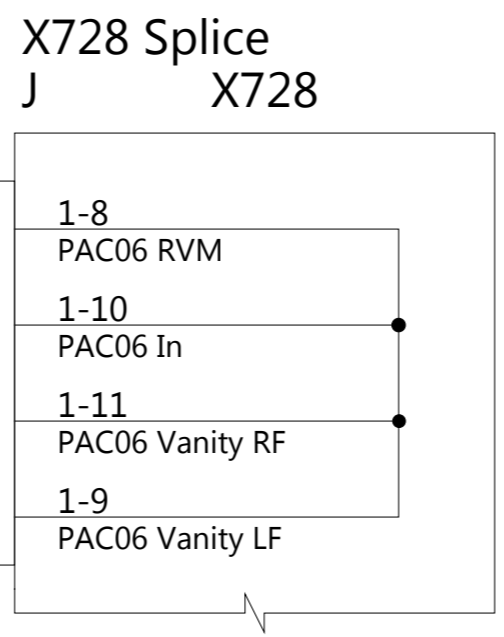
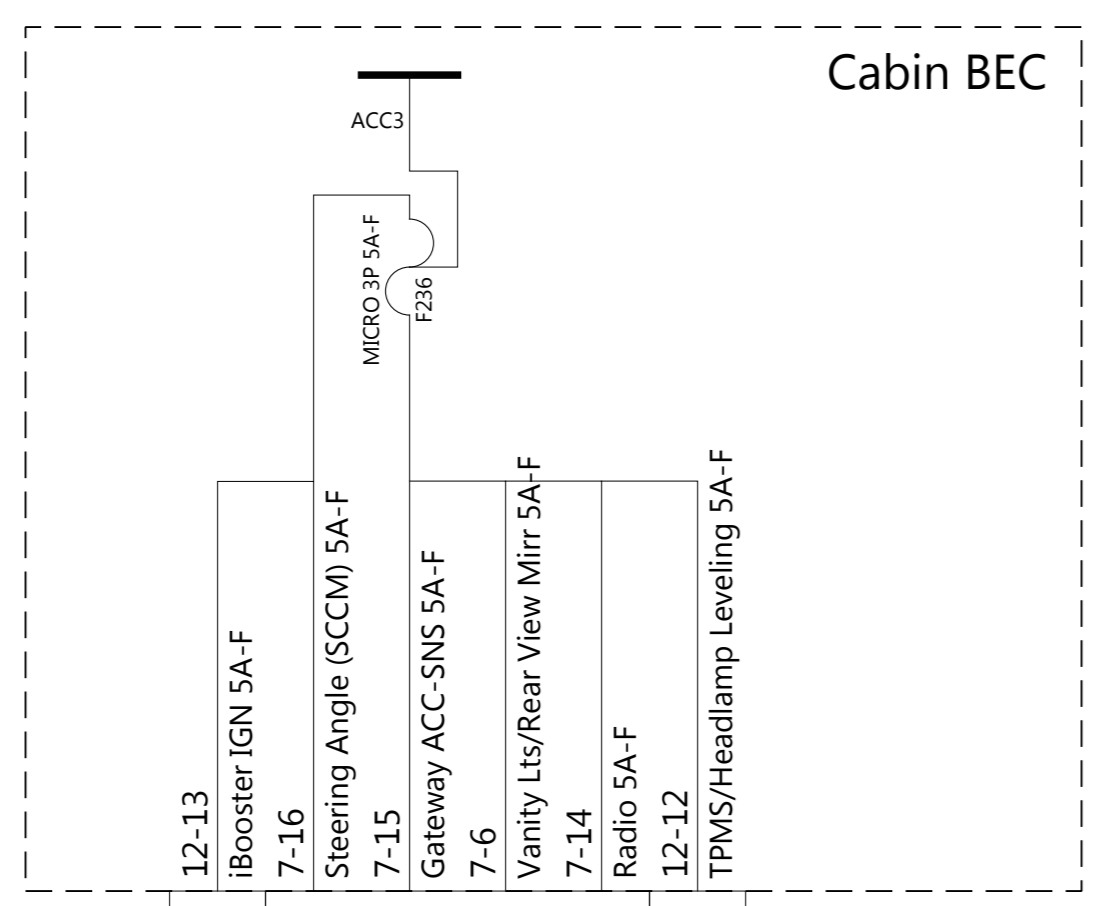
DRAWN	CHECKED	APPROVED
MATERIAL AS SPECIFIED	FINISHING AS SPECIFIED	SCALE NONE
PART NAME HVAC - Powertrain Cooling - Coolant Cycle:1:HVAC - Powertrain Cooling - Coolant Cycle:HVAC - Powertrain Cooling - Coolant Cycle		
PART NUMBER	REV	SHEET
	4	46 OF 65
		SIZE
		A0





THE INFORMATION CONTAINED HEREIN IS DEEMED TO BE CONFIDENTIAL, PROPRIETARY, AND A TRADE SECRET OF TESLA MOTORS. THIS INFORMATION MAY NOT BE USED, REPRODUCED, OR DISCLOSED AS THE DIRECT OR INDIRECT BASIS FOR THE DEVELOPMENT, MANUFACTURE, OR SALE OF PROCESSES OR PRODUCTS WITHOUT THE EXPRESSED WRITTEN CONSENT OF TESLA MOTORS.

DRAWN	CHECKED	APPROVED
MATERIAL AS SPECIFIED	FINISHING AS SPECIFIED	SCALE NONE
PART NAME Instrument Cluster / LIN:1:Instrument Cluster / LIN / Homelink (DV2 MCU1.5)-Instrument Cluster / LIN		
PART NUMBER	REV	SHEET
	4	47 OF 65
		SIZE A0



**TESLA**

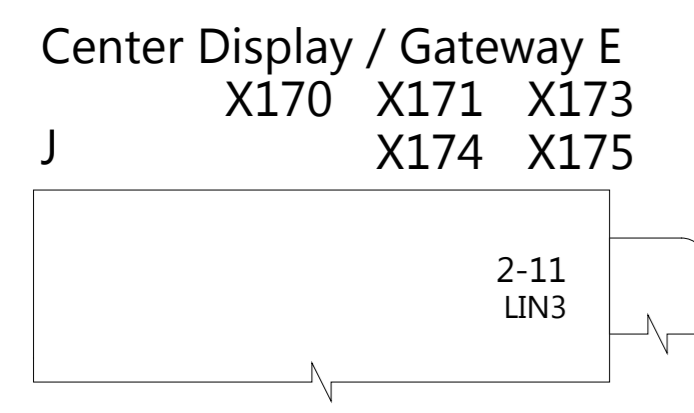
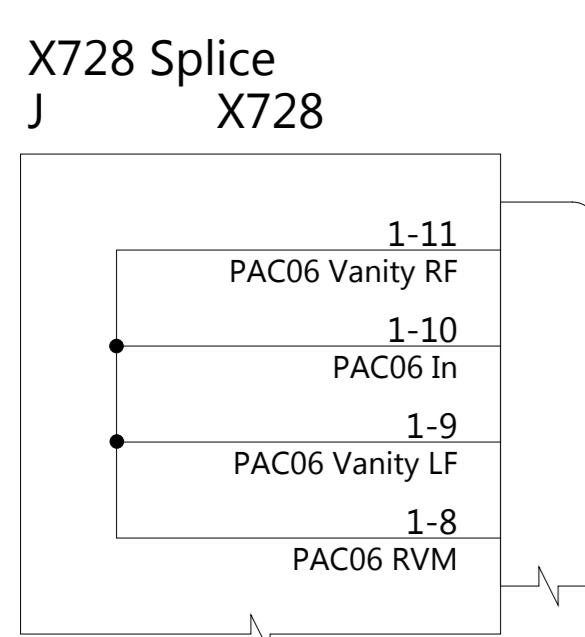
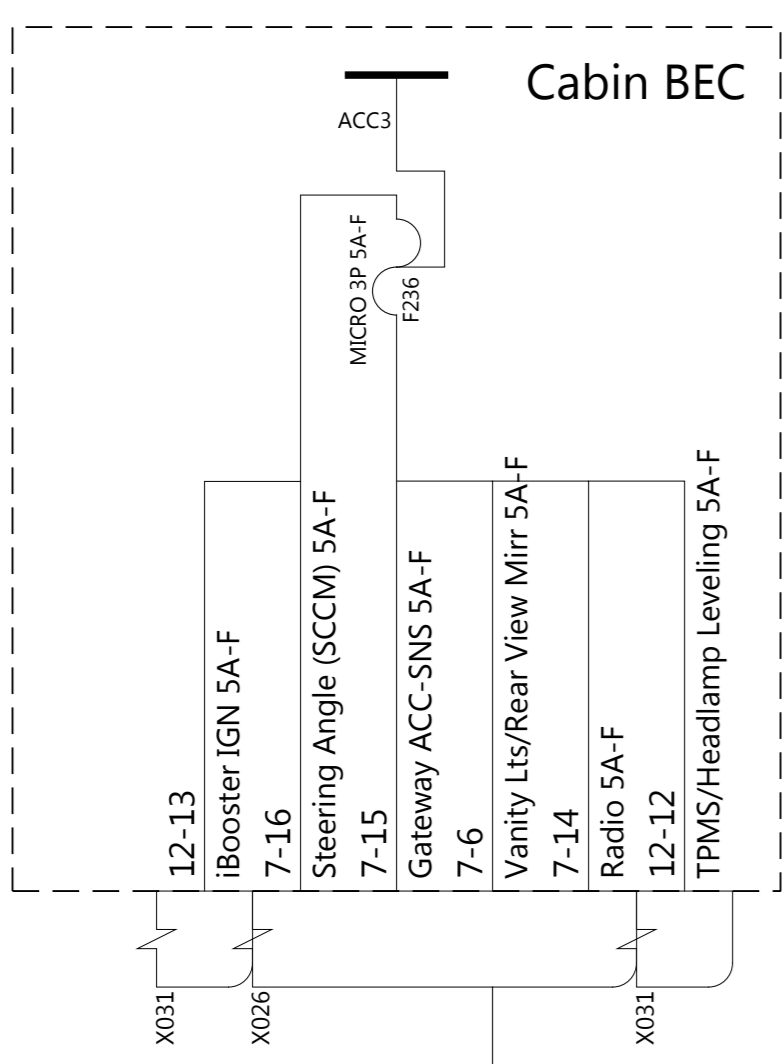
THE INFORMATION CONTAINED HEREIN IS DEEMED TO BE CONFIDENTIAL, PROPRIETARY, AND A TRADE SECRET OF TESLA MOTORS. THIS INFORMATION MAY NOT BE USED, REPRODUCED, OR DISCLOSED AS THE DIRECT OR INDIRECT BASIS FOR THE DEVELOPMENT, MANUFACTURE, OR SALE OF PROCESSES OR PRODUCTS WITHOUT THE EXPRESSED WRITTEN CONSENT OF TESLA MOTORS.

DRAWN	CHECKED	APPROVED
-------	---------	----------

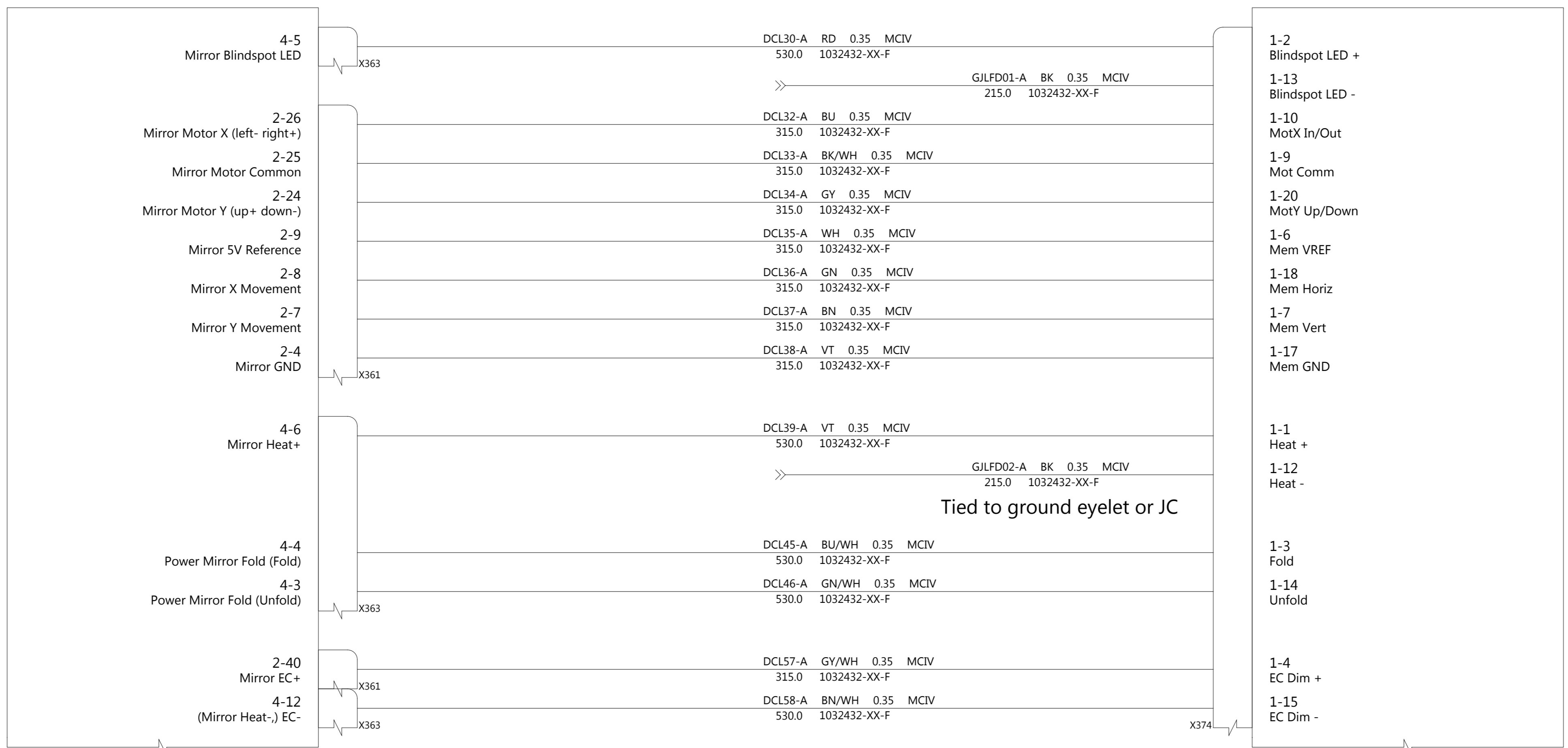
MATERIAL AS SPECIFIED	FINISHING AS SPECIFIED	SCALE NONE
--------------------------	---------------------------	---------------

PART NAME  
Interior Illumination Maplights:1:Interior Illumination Maplights (DV2)-Interior Illumination Maplights

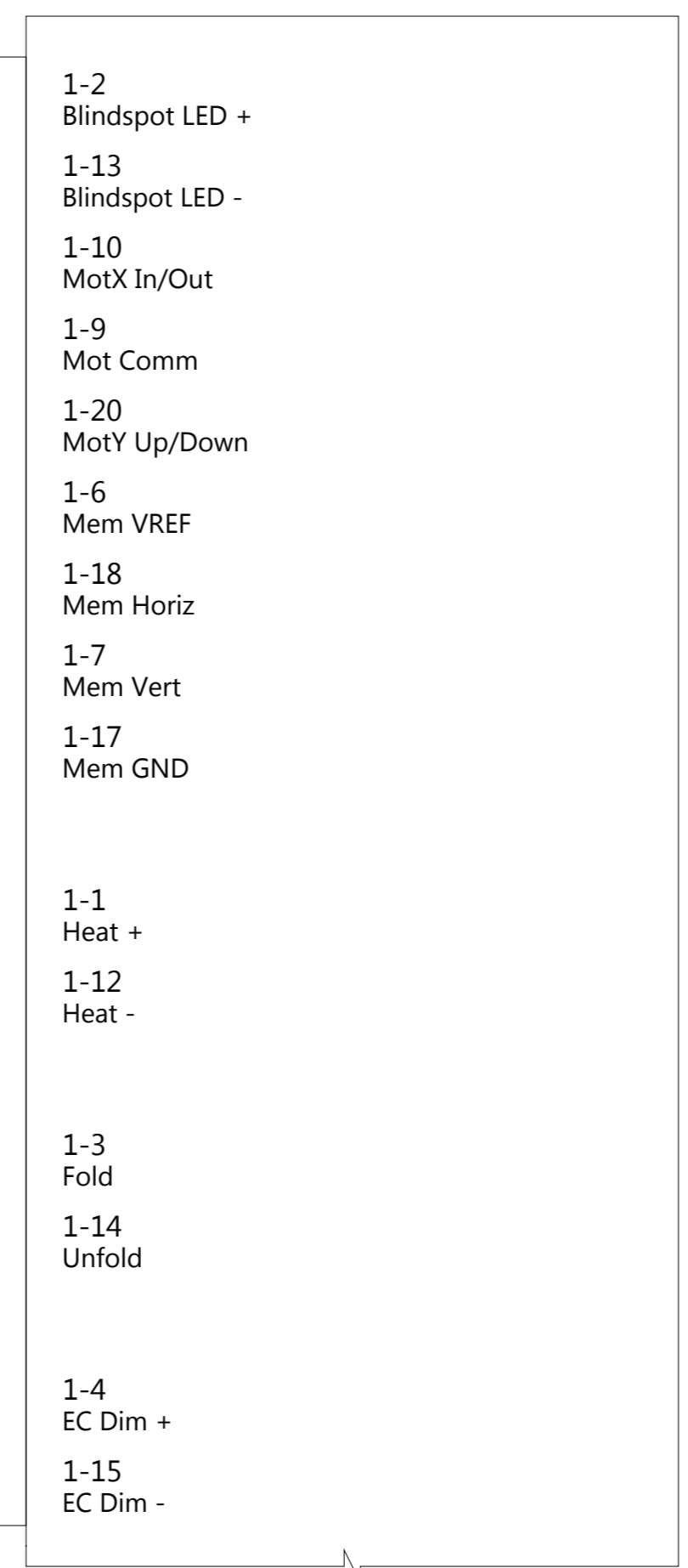
PART NUMBER	REV	SHEET	SIZE
	4	48 OF 65	A0



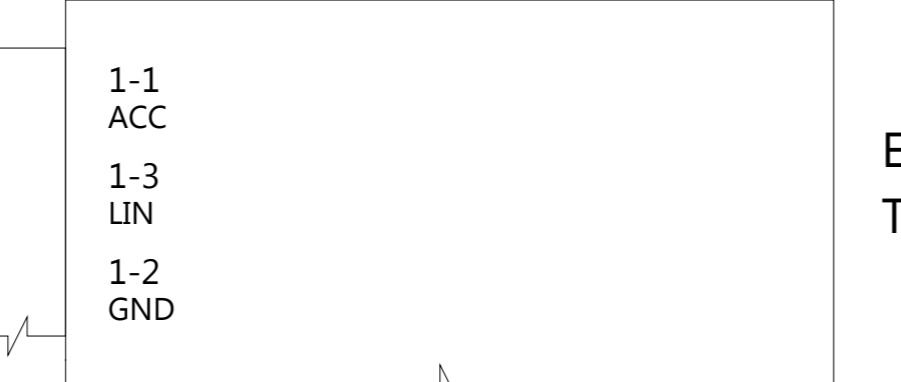
**Door Control Module LF (BCFDM) DV3**  
D X360 X361 X362 X363



**Mirror Side Left**  
D X374

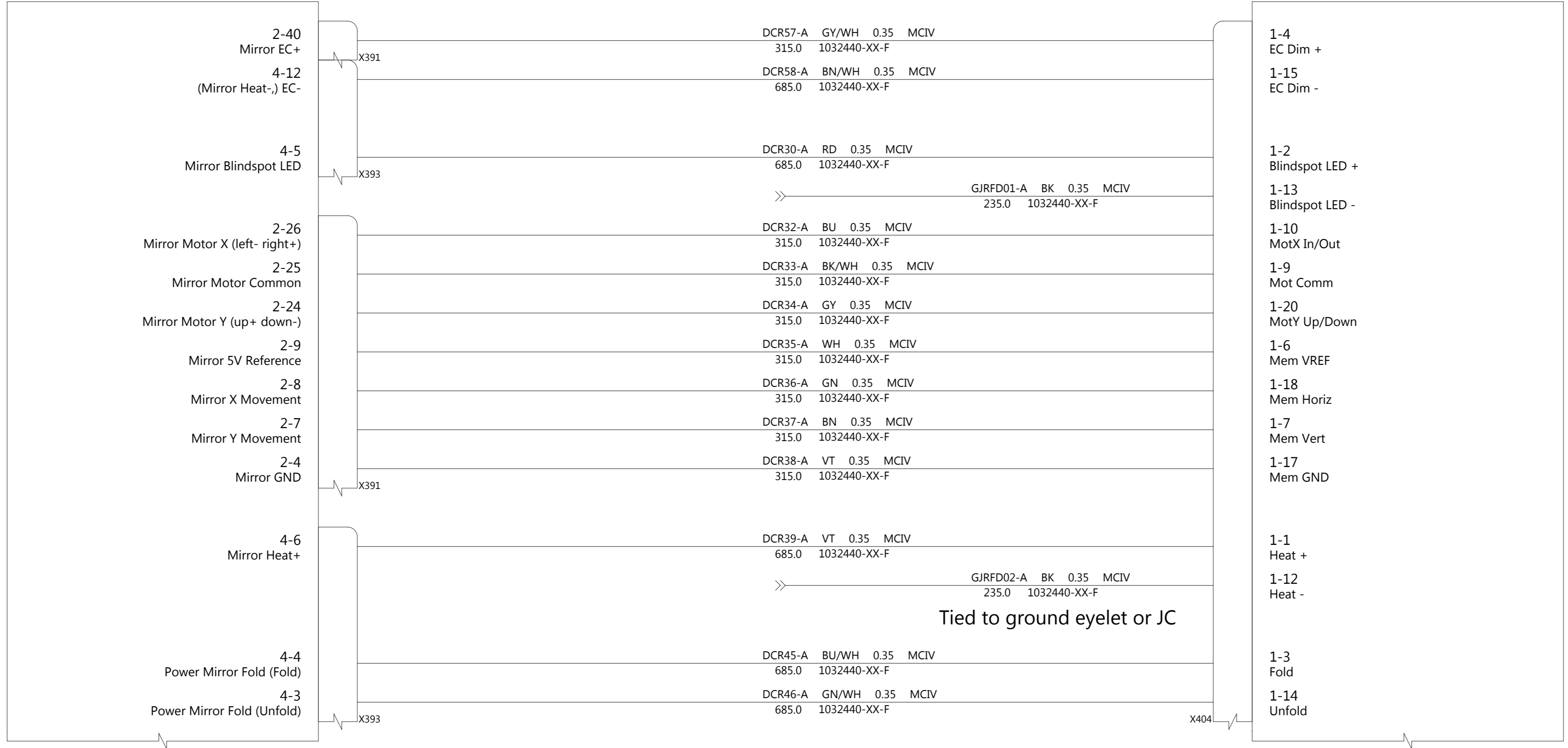


**Rear View Mirror**  
V X129

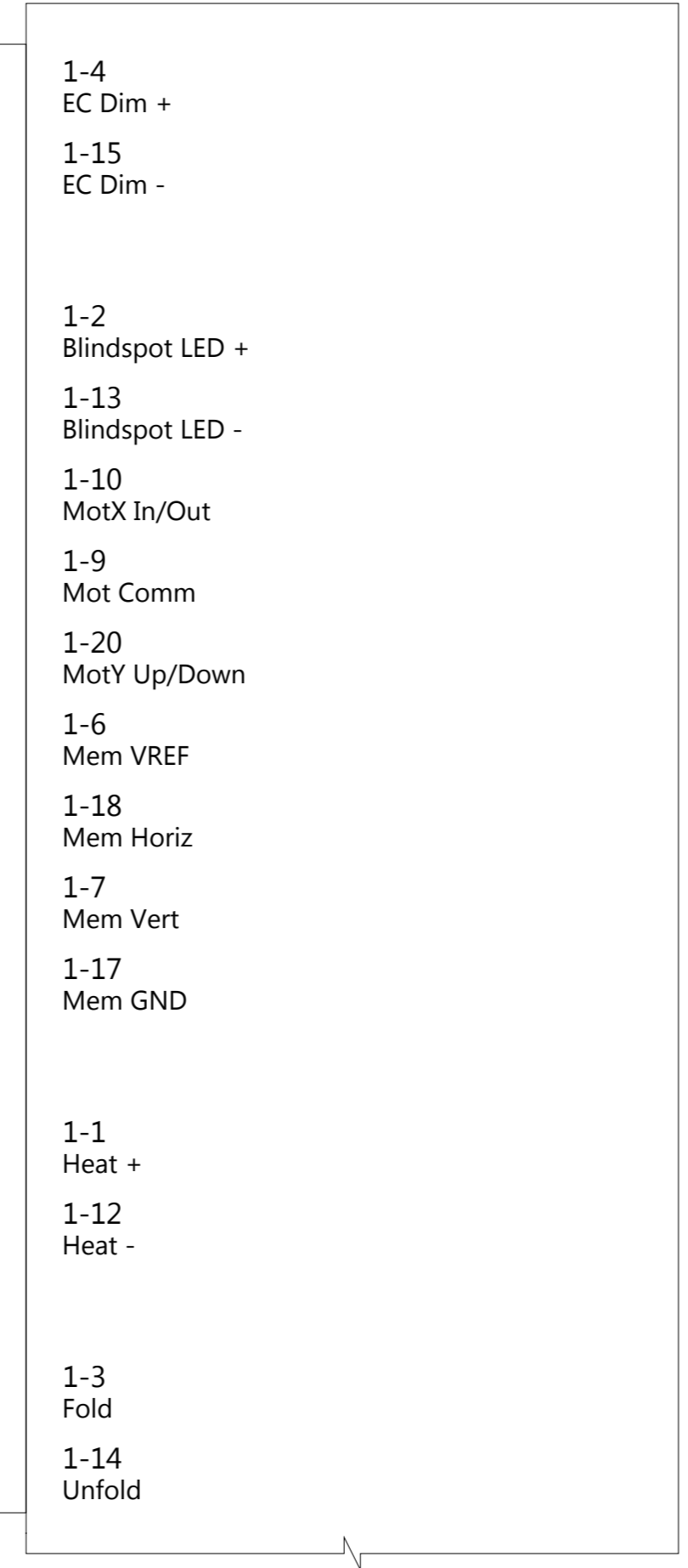


EC dimming command via LIN from RVM to Gateway. Then over Body CAN to Door Control Modules

**Door Control Module RF (BCFPM) DV3**  
P X390 X391 X392 X393

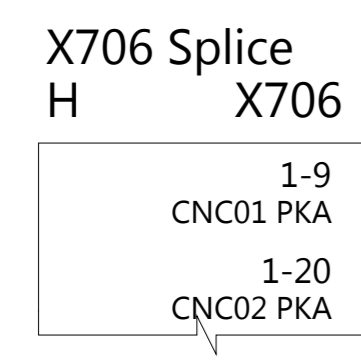
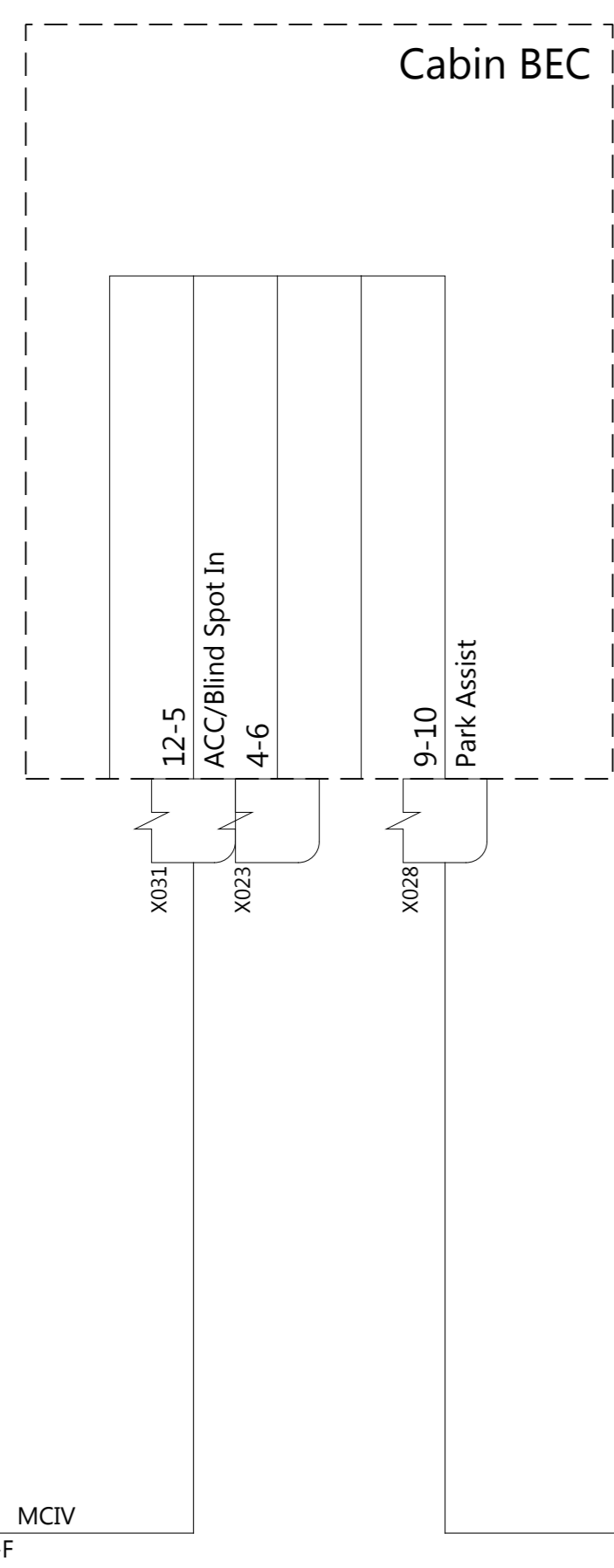
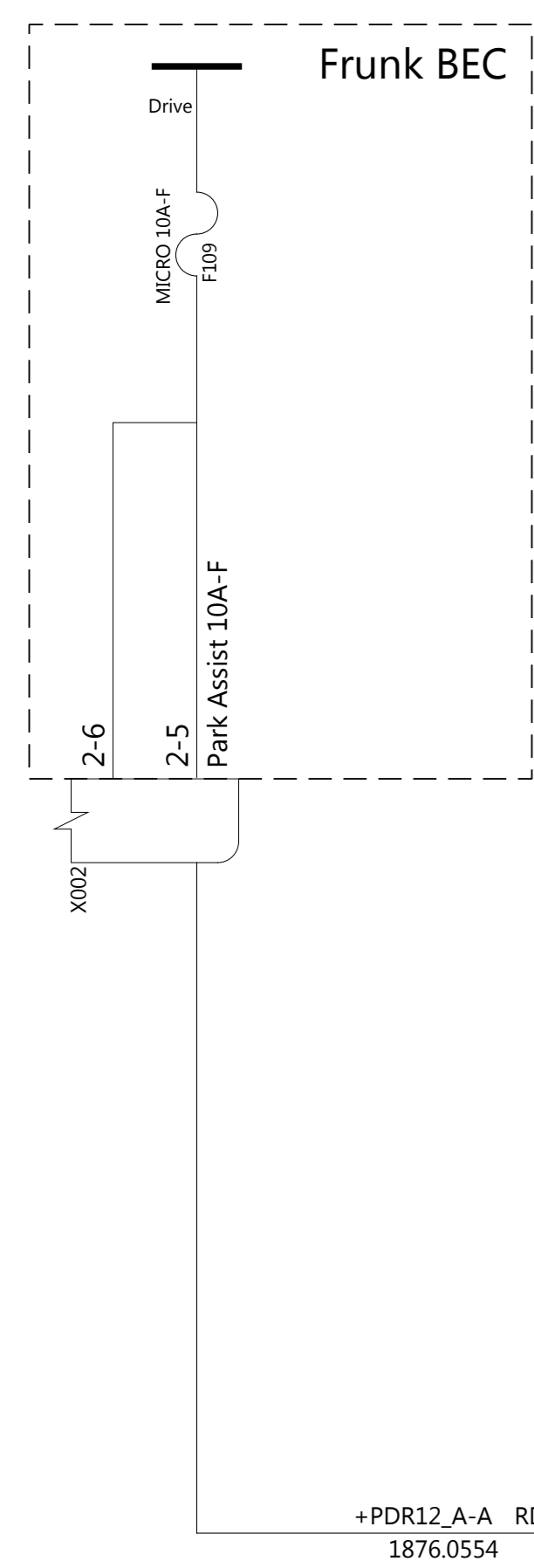


**Mirror Side Right**  
P X404

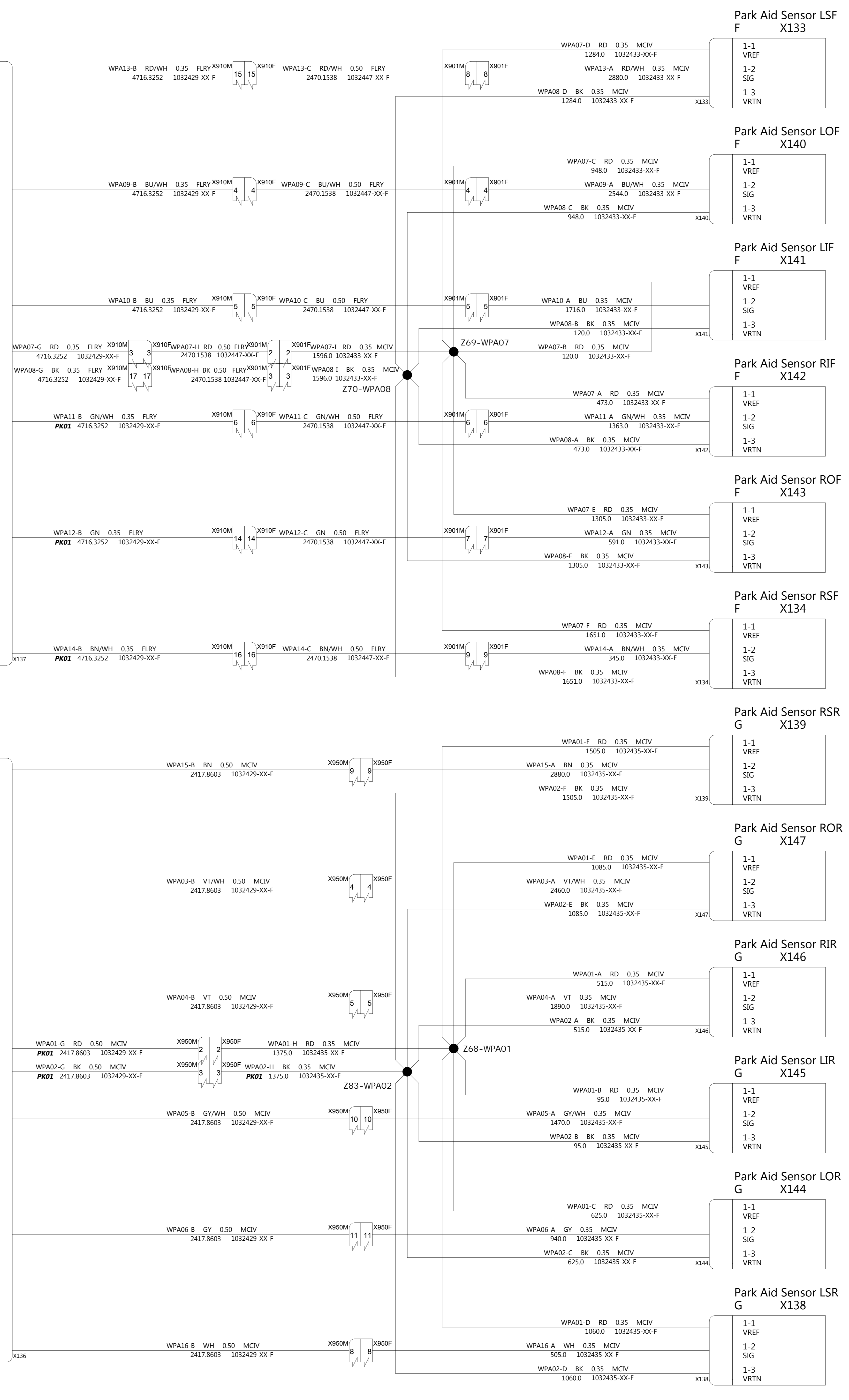
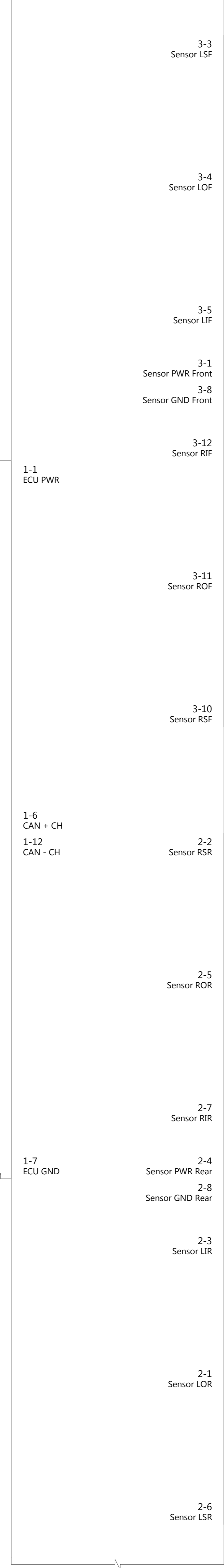


DRAWN			CHECKED			APPROVED		
MATERIAL AS SPECIFIED			FINISHING AS SPECIFIED			SCALE NONE		

PART NAME			
Mirrors - Center and Side:1:Mirrors - Center and Side (DV2 MCU1.5)-Mirrors - Center and Side			
PART NUMBER	REV	SHEET	SIZE
	4	49 of 65	A0



Park Aid B5.1 (PARK)  
H X135 X136 X137

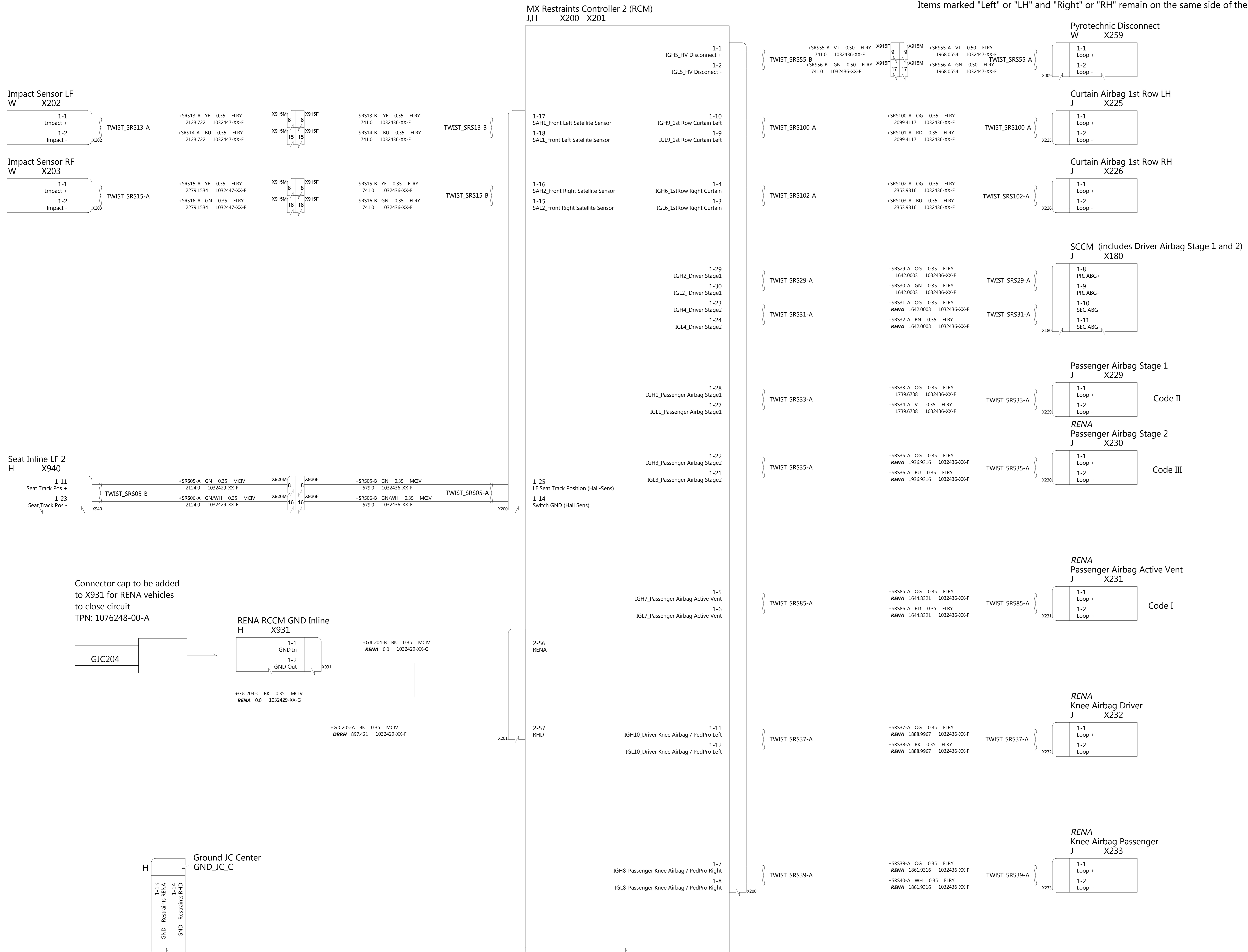


**TESLA**

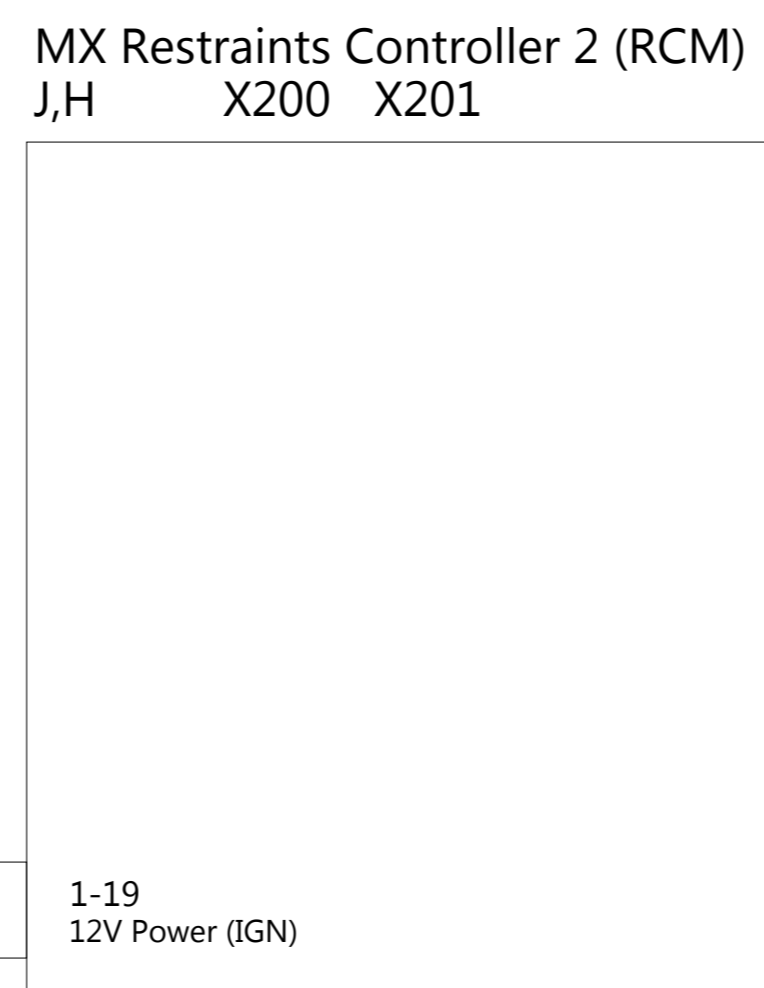
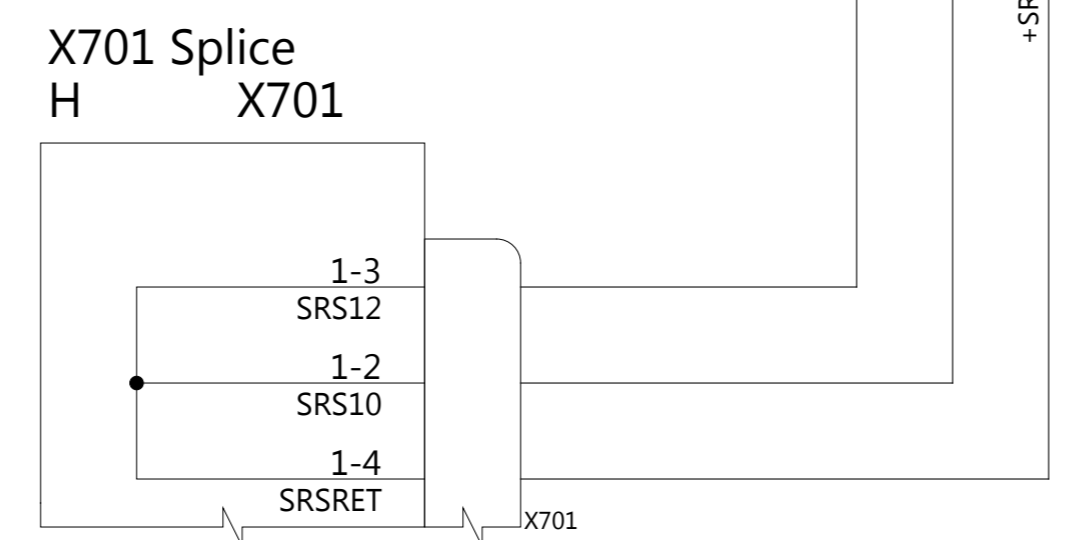
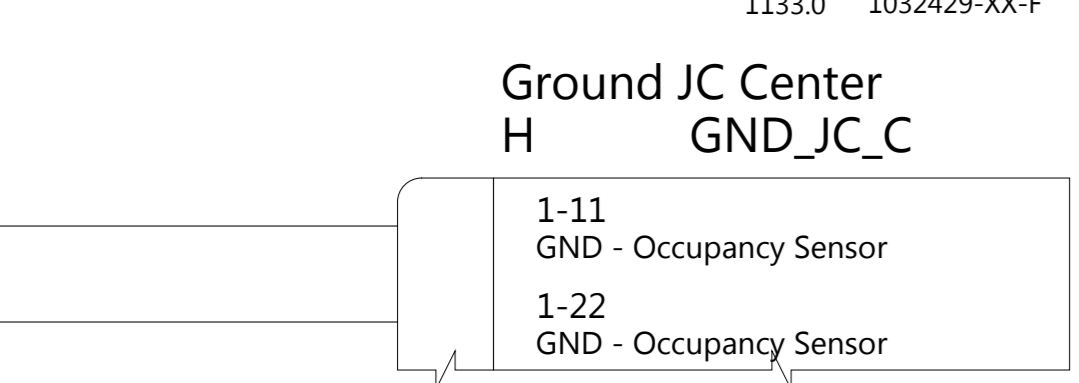
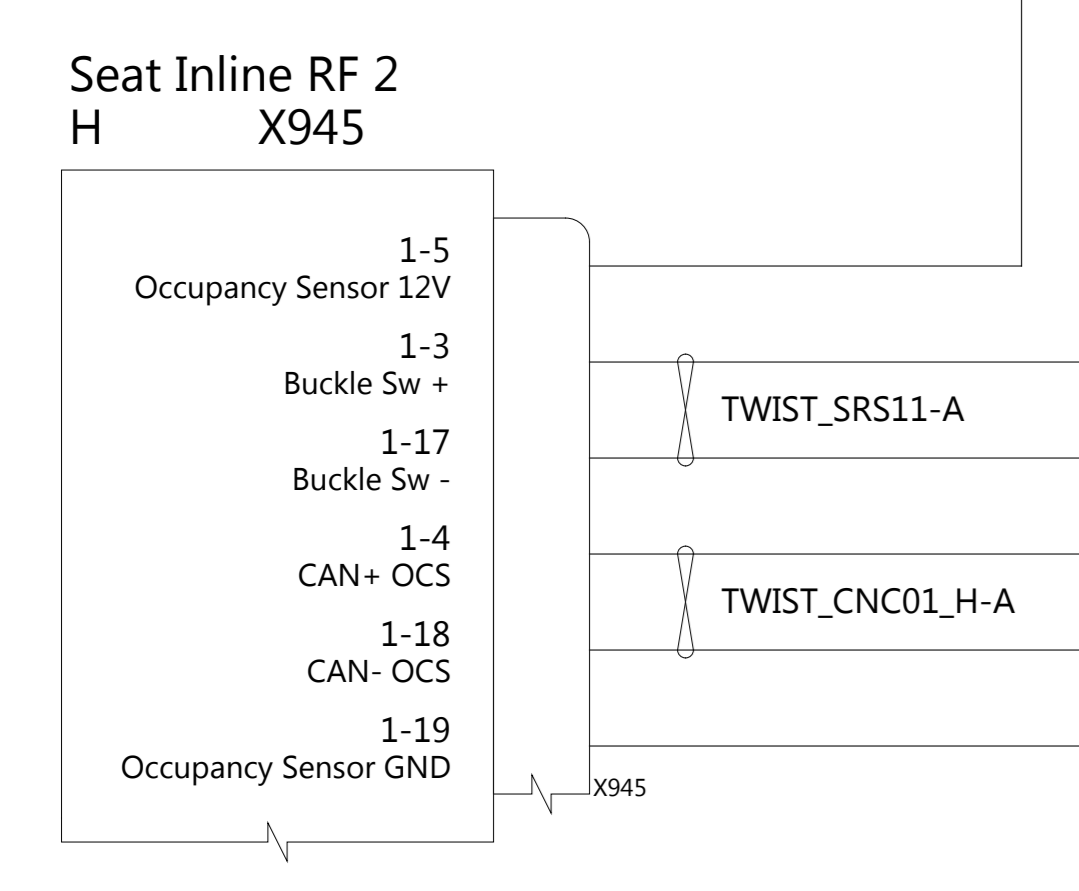
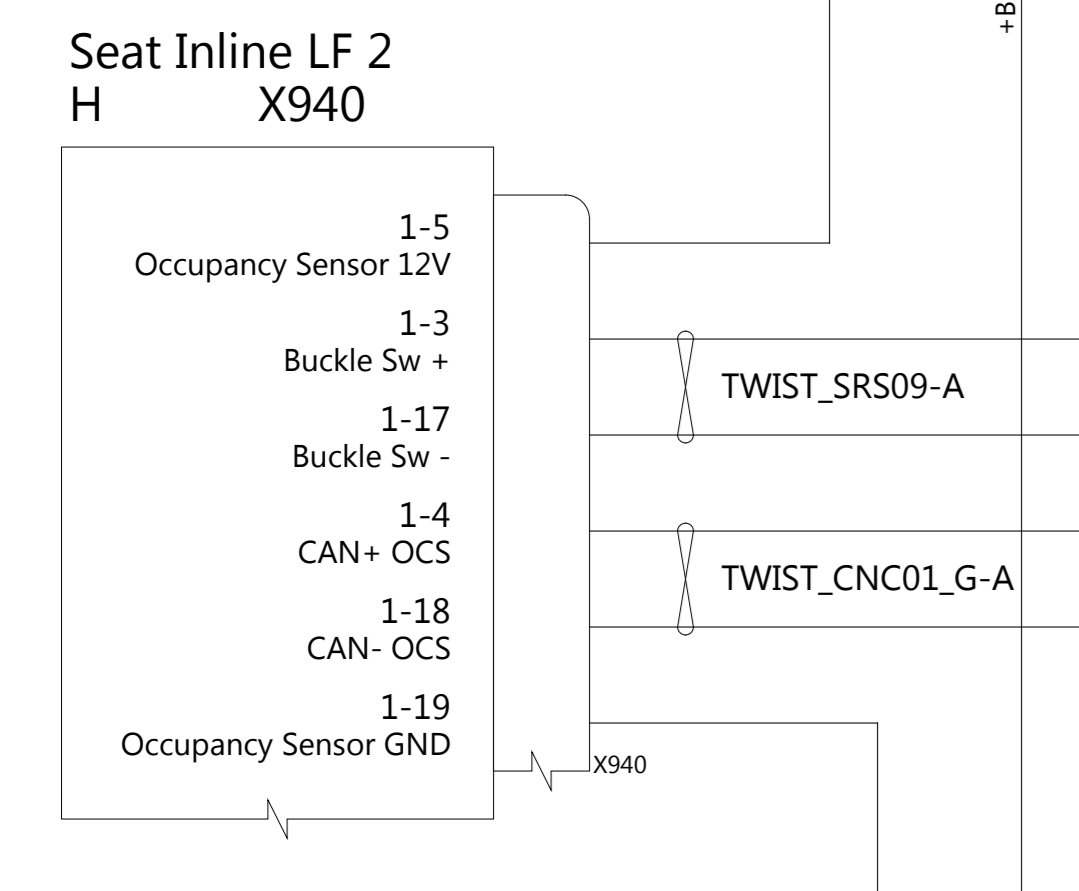
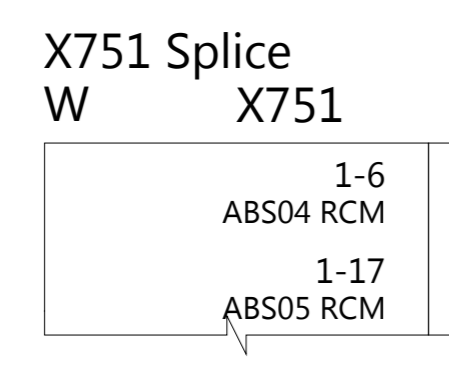
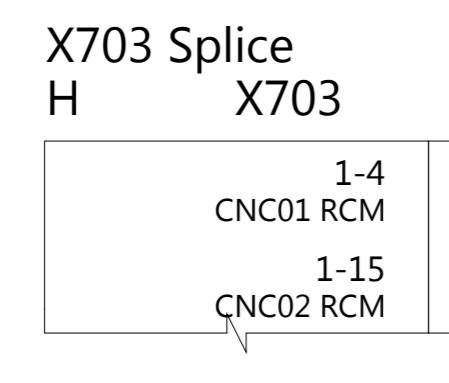
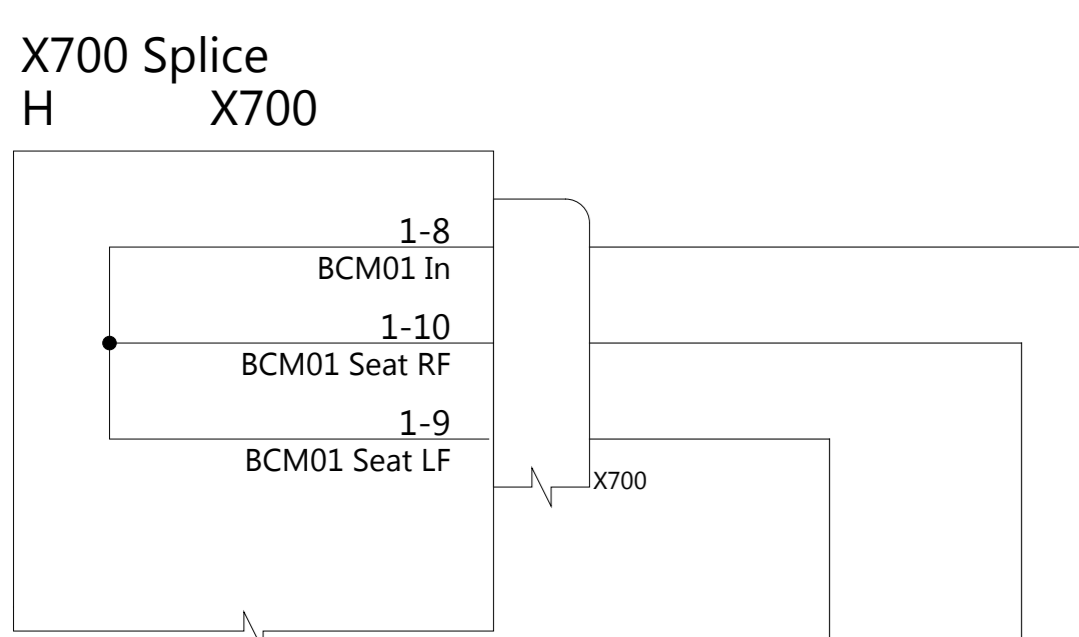
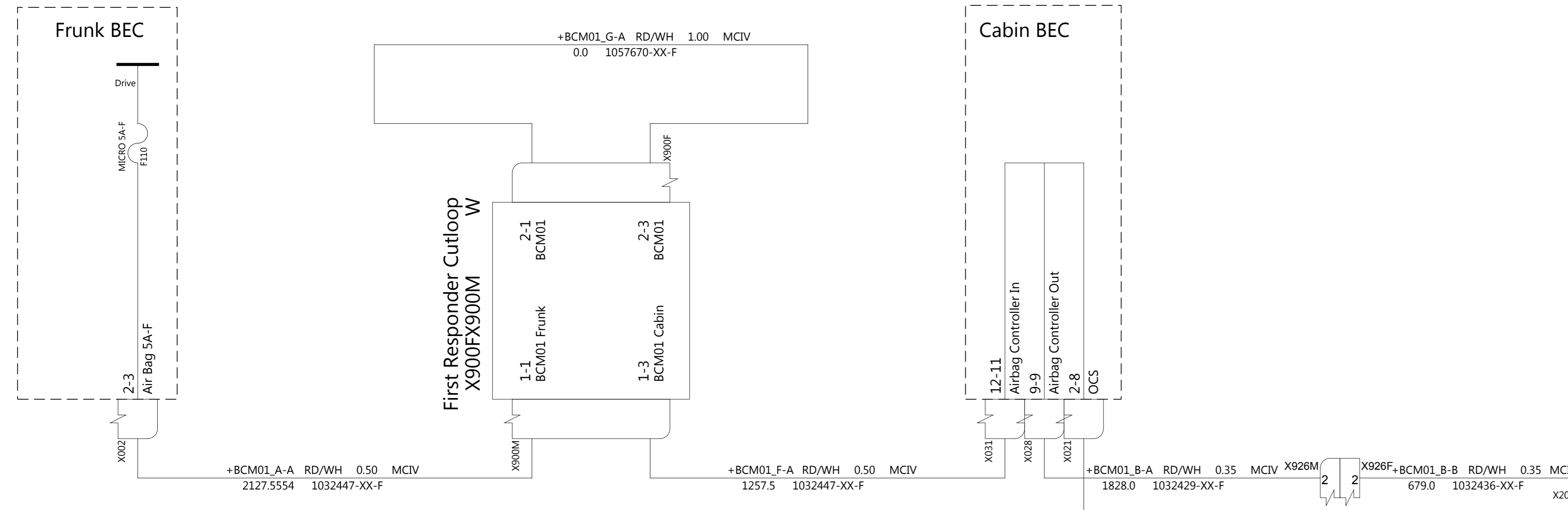
THE INFORMATION CONTAINED HEREIN IS DEEMED TO BE CONFIDENTIAL, PROPRIETARY, AND A TRADE SECRET OF TESLA MOTORS. THIS INFORMATION MAY NOT BE USED, REPRODUCED, OR DISCLOSED AS THE DIRECT OR INDIRECT BASIS FOR THE DEVELOPMENT, MANUFACTURE, OR SALE OF PROCESSES OR PRODUCTS WITHOUT THE EXPRESS WRITTEN CONSENT OF TESLA MOTORS.

DRAWN	CHECKED	APPROVED
MATERIAL AS SPECIFIED	FINISHING AS SPECIFIED	SCALE NONE
PART NAME Parking Aids:1:Parkings Aids-Parkings Aids - Bosch 5.1		
PART NUMBER	REV	SHEET
	4	50 OF 65
		SIZE A0

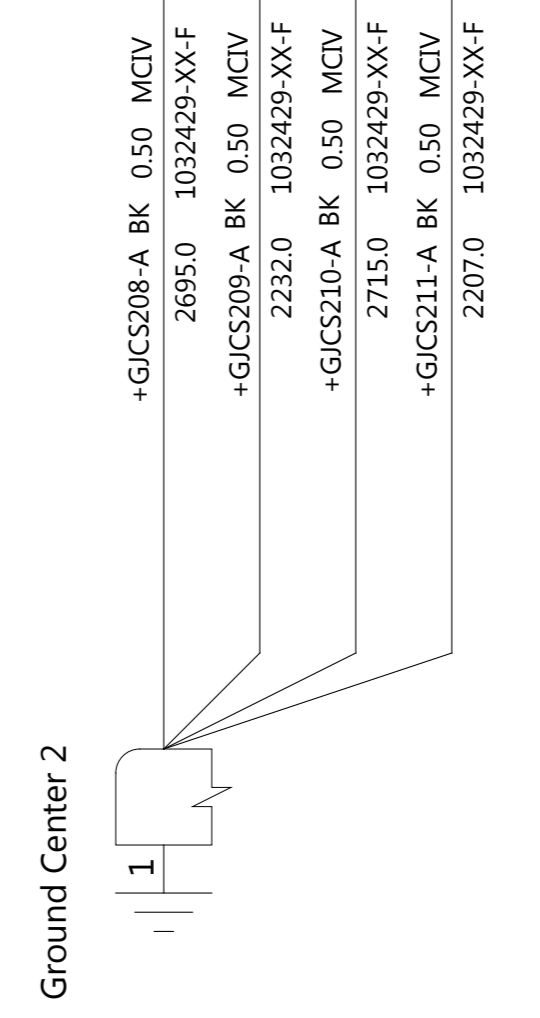
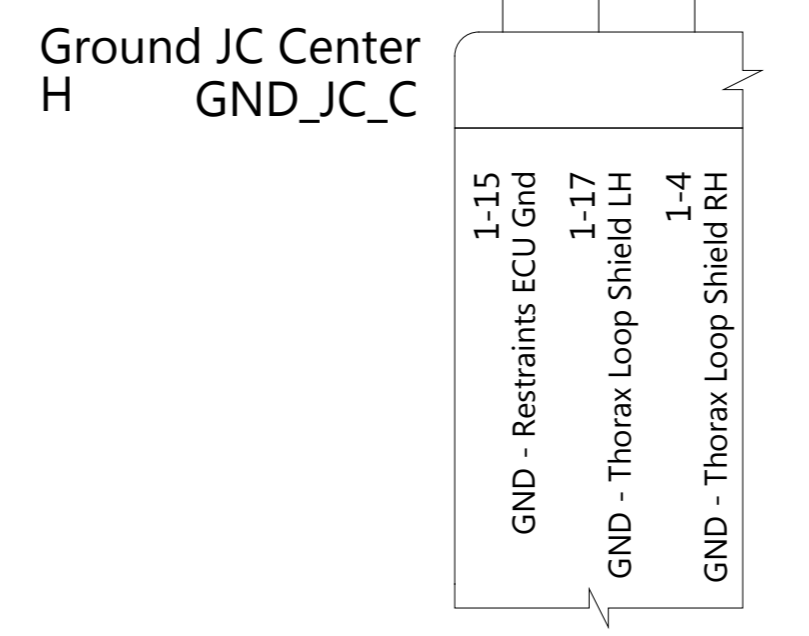
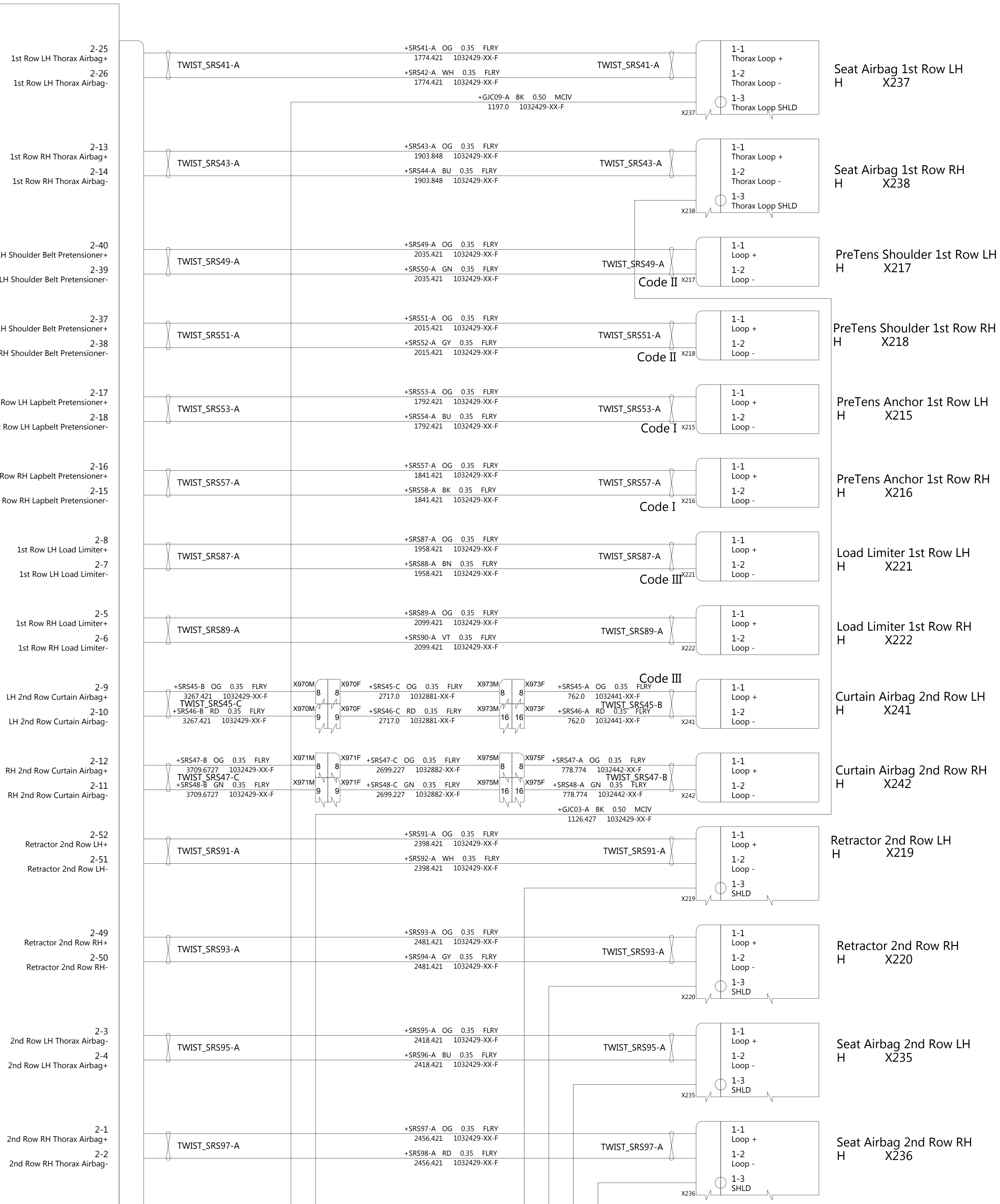
NOTE:  
 Items marked "Driver" and "Passenger" change sides of vehicle with driver seat for LHD and RHD  
 Items marked "Left" or "LH" and "Right" or "RH" remain on the same side of the vehicle regardless.



<b>TESLA</b>			
<small>THE INFORMATION CONTAINED HEREIN IS DEEMED TO BE CONFIDENTIAL, PROPRIETARY, AND A TRADE SECRET OF TESLA MOTORS. THIS INFORMATION MAY NOT BE USED, REPRODUCED, OR DISCLOSED AS THE DIRECT OR INDIRECT BASIS FOR THE DEVELOPMENT, MANUFACTURE, OR SALE OF PROCESSES OR PRODUCTS WITHOUT THE EXPRESSED WRITTEN CONSENT OF TESLA MOTORS.</small>			
DRAWN	CHECKED	APPROVED	
MATERIAL AS SPECIFIED		FINISHING AS SPECIFIED	SCALE NONE
PART NAME Passive Restraints - IP and Front:1:Passive Restraints - IP and Front-Passive Restraints - IP and Front			
PART NUMBER	REV	SHEET	SIZE
	4	51 OF 65	A0

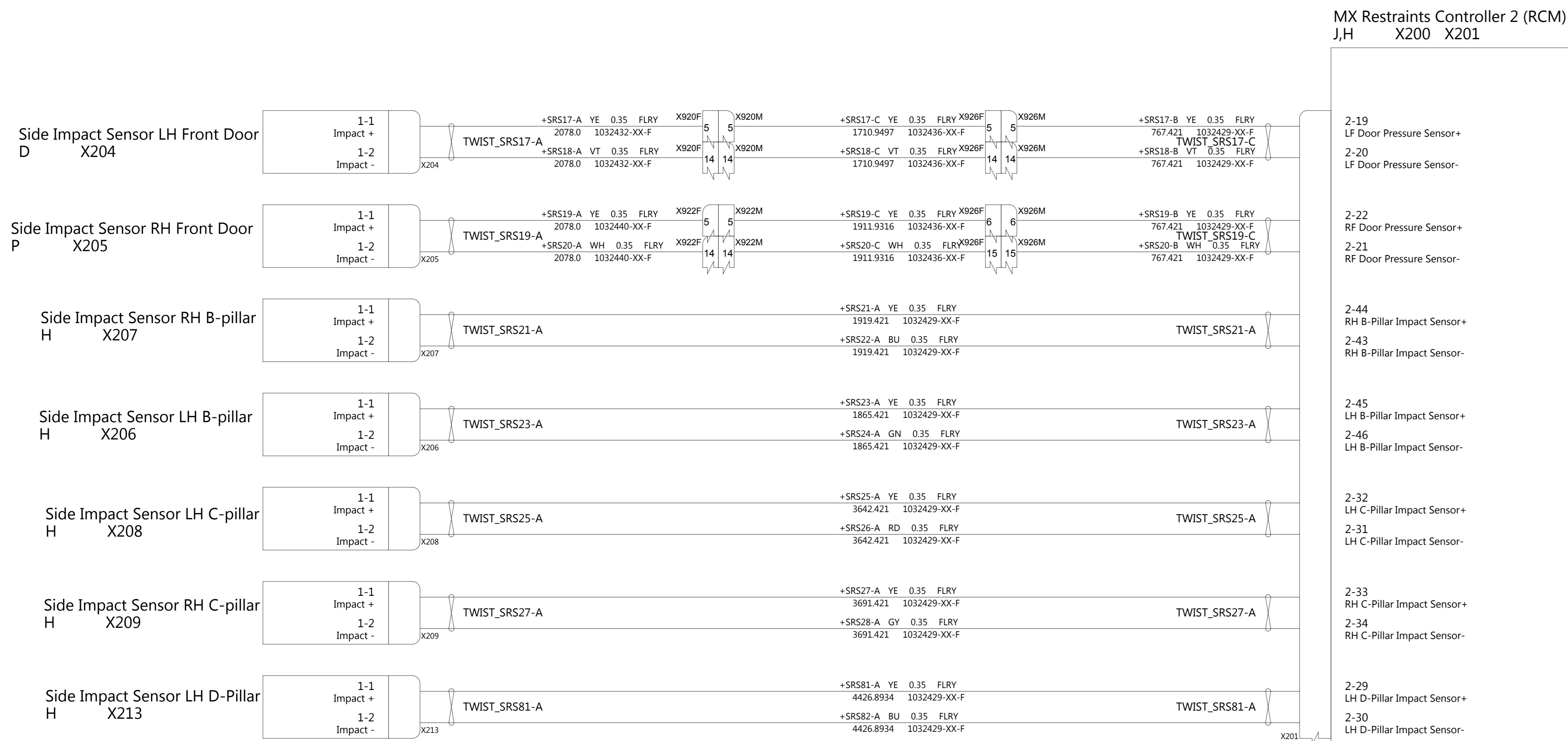


NOTE:  
 Items marked "Driver" and "Passenger" change sides of vehicle with driver seat for LHD and RHD  
 Items marked "Left" or "LH" and "Right" or "RH" remain on the same side of the vehicle regardless.



THE INFORMATION CONTAINED HEREIN IS DEEMED TO BE CONFIDENTIAL, PROPRIETARY, AND A TRADE SECRET OF TESLA MOTORS. THIS INFORMATION MAY NOT BE USED, REPRODUCED, OR DISCLOSED AS THE DIRECT OR INDIRECT BASIS FOR THE DEVELOPMENT, MANUFACTURE, OR SALE OF PROCESSES OR PRODUCTS WITHOUT THE EXPRESSED WRITTEN CONSENT OF TESLA MOTORS.

DRAWN	CHECKED	APPROVED
MATERIAL AS SPECIFIED	FINISHING AS SPECIFIED	SCALE NONE
PART NAME Passive Restraints:1:Passive Restraints - Rev2 Updated GNDs-Passive Restraints		
PART NUMBER	REV	SHEET
	4	52 OF 65
		SIZE
		A0



**TESLA**

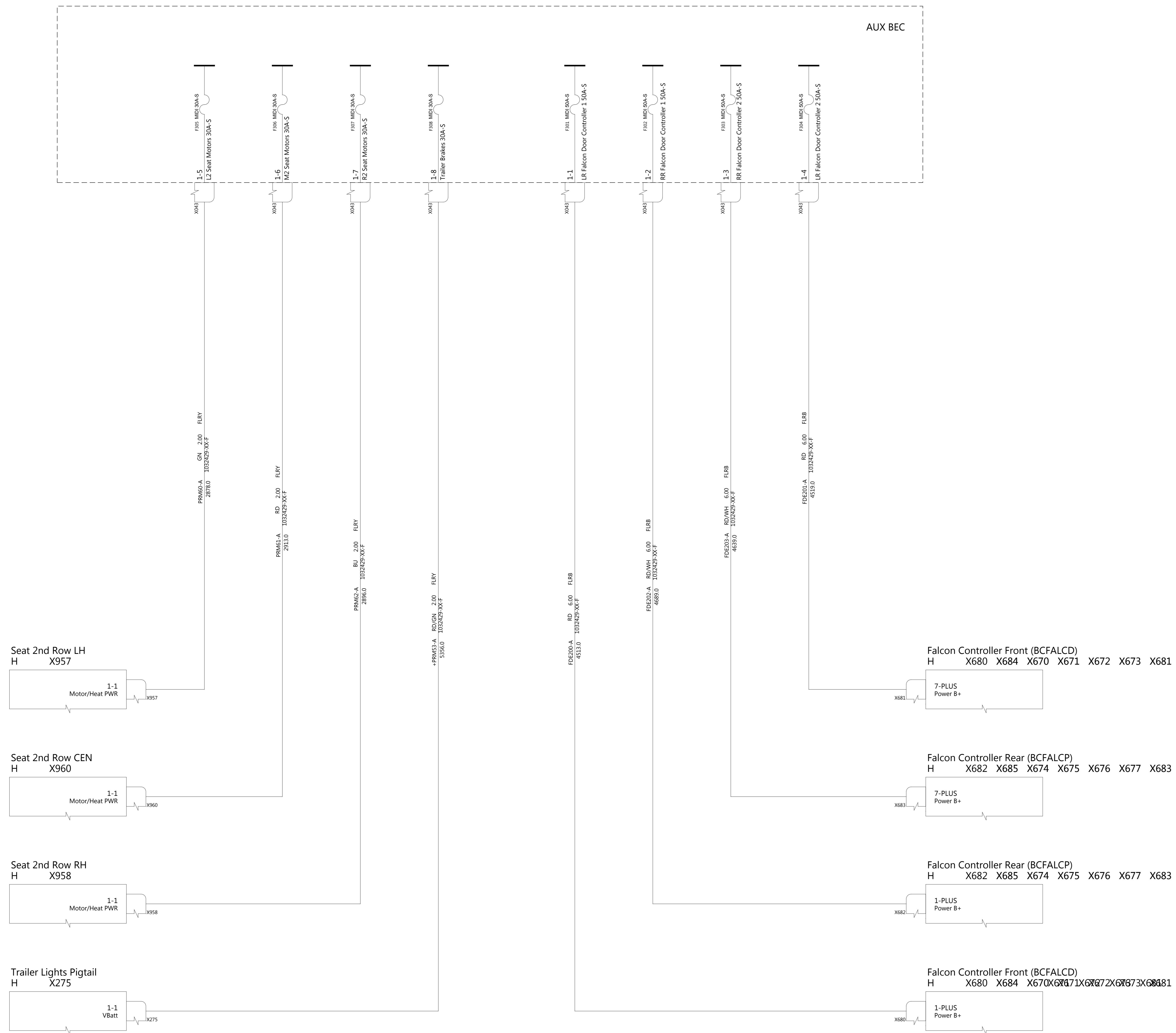
THE INFORMATION CONTAINED HEREIN IS DEEMED TO BE CONFIDENTIAL, PROPRIETARY, AND A TRADE SECRET OF TESLA MOTORS. THIS INFORMATION MAY NOT BE USED, REPRODUCED, OR DISCLOSED AS THE OBJECT OR INDIRECT BASIS FOR THE DEVELOPMENT, MANUFACTURE, OR SALE OF PROCESSES OR PRODUCTS WITHOUT THE EXPRESSED WRITTEN CONSENT OF TESLA MOTORS.

DRAWN	CHECKED	APPROVED

MATERIAL AS SPECIFIED	FINISHING AS SPECIFIED	SCALE NONE
--------------------------	---------------------------	---------------

PART NAME  
Passive Restraints:1:Passive Restraints - Rev2 Updated  
GNDs-Passive Restraints p2

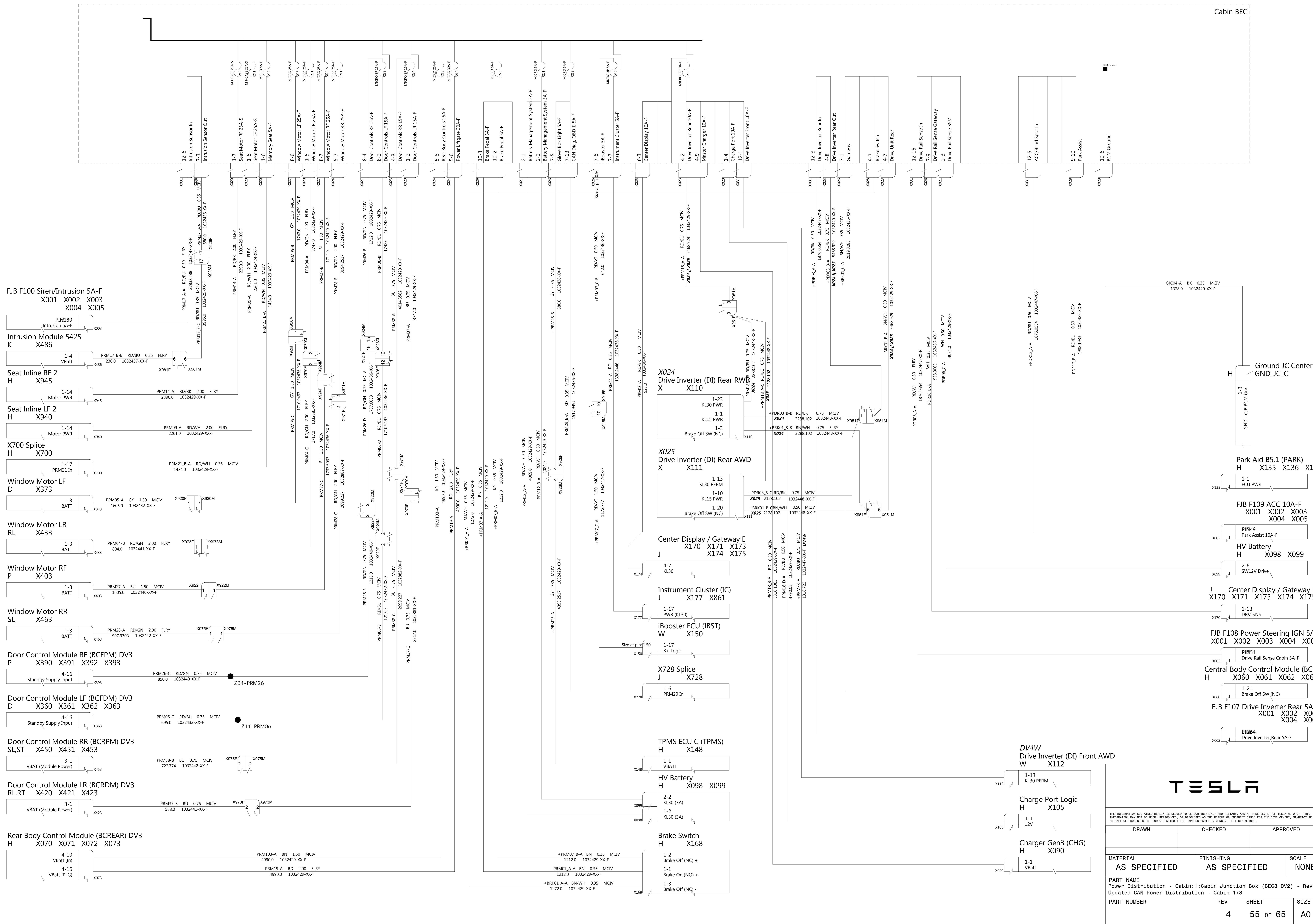
PART NUMBER	REV	SHEET	SIZE
	4	53 of 65	A0



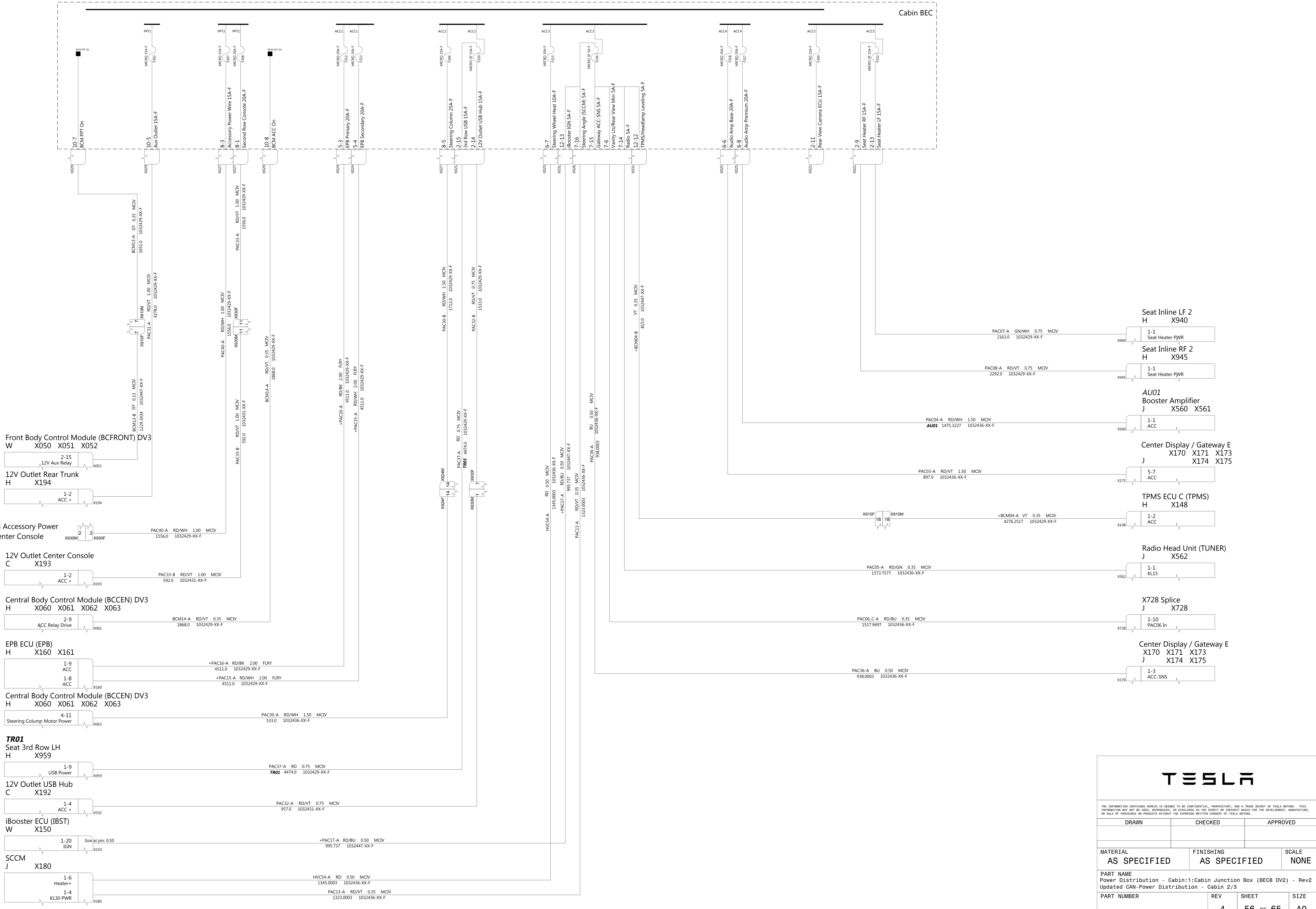
THE INFORMATION CONTAINED HEREIN IS DEEMED TO BE CONFIDENTIAL, PROPRIETARY, AND A TRADE SECRET OF TESLA MOTORS. THIS INFORMATION MAY NOT BE USED, REPRODUCED, OR DISCLOSED AS THE DIRECT OR INDIRECT BASIS FOR THE DEVELOPMENT, MANUFACTURE, OR SALE OF PROCESSES OR PRODUCTS WITHOUT THE EXPRESSED WRITTEN CONSENT OF TESLA MOTORS.

DRAWN	CHECKED	APPROVED
MATERIAL AS SPECIFIED	FINISHING AS SPECIFIED	SCALE NONE
PART NAME Power Distribution - Auxiliary Fuse Box		
PART NUMBER	REV	SHEET
	4	54 of 65
		SIZE A0

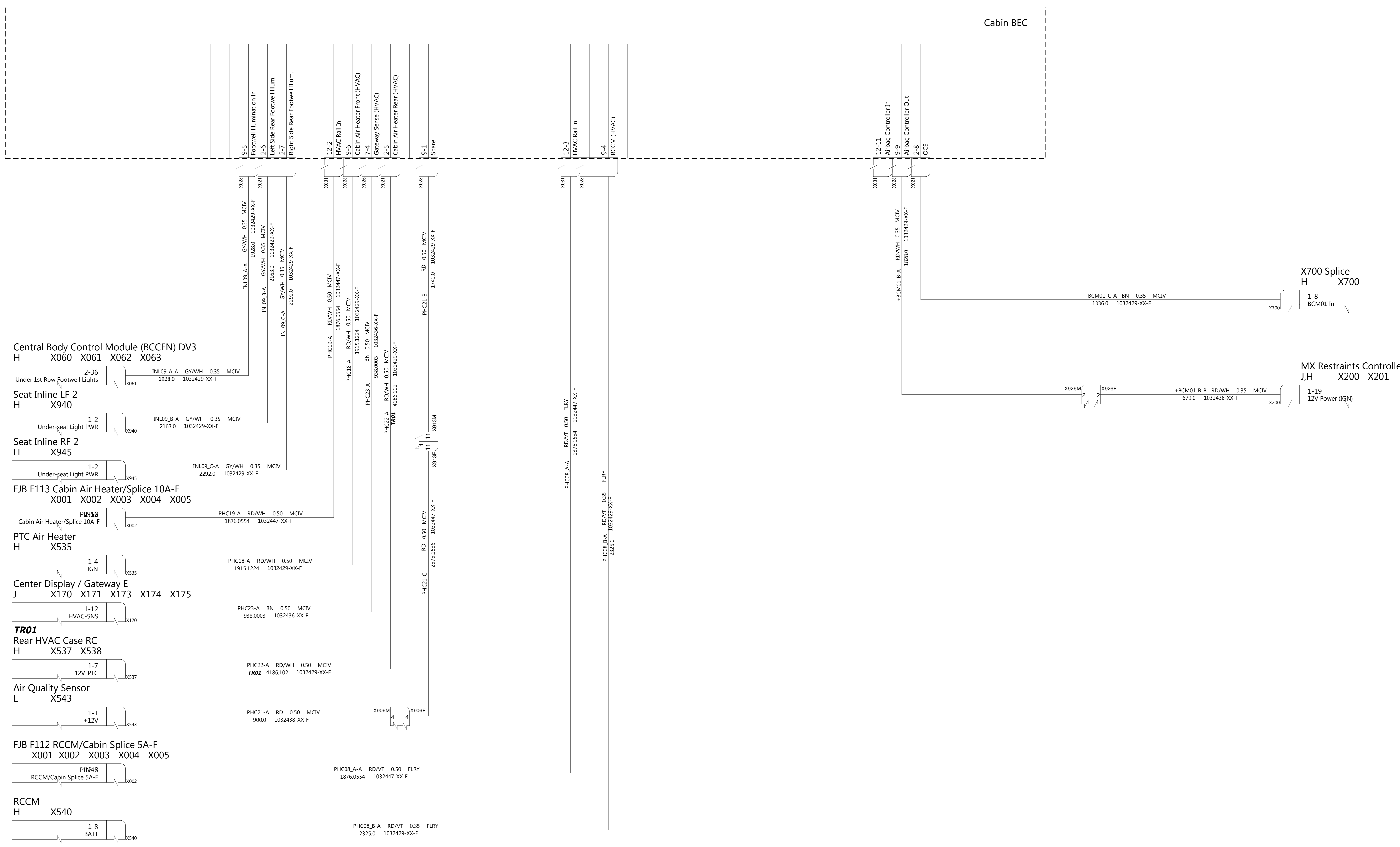




DRAWN				CHECKED		APPROVED	
MATERIAL AS SPECIFIED		FINISHING AS SPECIFIED		SCALE NONE			
PART NAME Power Distribution - Cabin:1:Cabin Junction Box (BEC8 DV2) - Rev2 Updated CAN-Power Distribution - Cabin 1/3							
PART NUMBER		REV	SHEET	SIZE			
		4	55 OF 65	A0			



DRAWN				CHECKED				APPROVED			
MATERIAL AS SPECIFIED				FINISHING AS SPECIFIED				SCALE NONE			
PART NAME Power Distribution - Cabin:1:Cabin Junction Box (BEC8 DV2) - Rev2 Updated CAN-Power Distribution - Cabin 2/3											
PART NUMBER			REV			SHEET			SIZE		
			4			56 OF 65			A0		



THE INFORMATION CONTAINED HEREIN IS DEEMED TO BE CONFIDENTIAL, PROPRIETARY, AND A TRADE SECRET OF TESLA MOTORS. THIS INFORMATION MAY NOT BE USED, REPRODUCED, OR DISCLOSED AS THE DIRECT OR INDIRECT BASIS FOR THE DEVELOPMENT, MANUFACTURE, OR SALE OF PROCESSES OR PRODUCTS WITHOUT THE EXPRESSED WRITTEN CONSENT OF TESLA MOTORS.

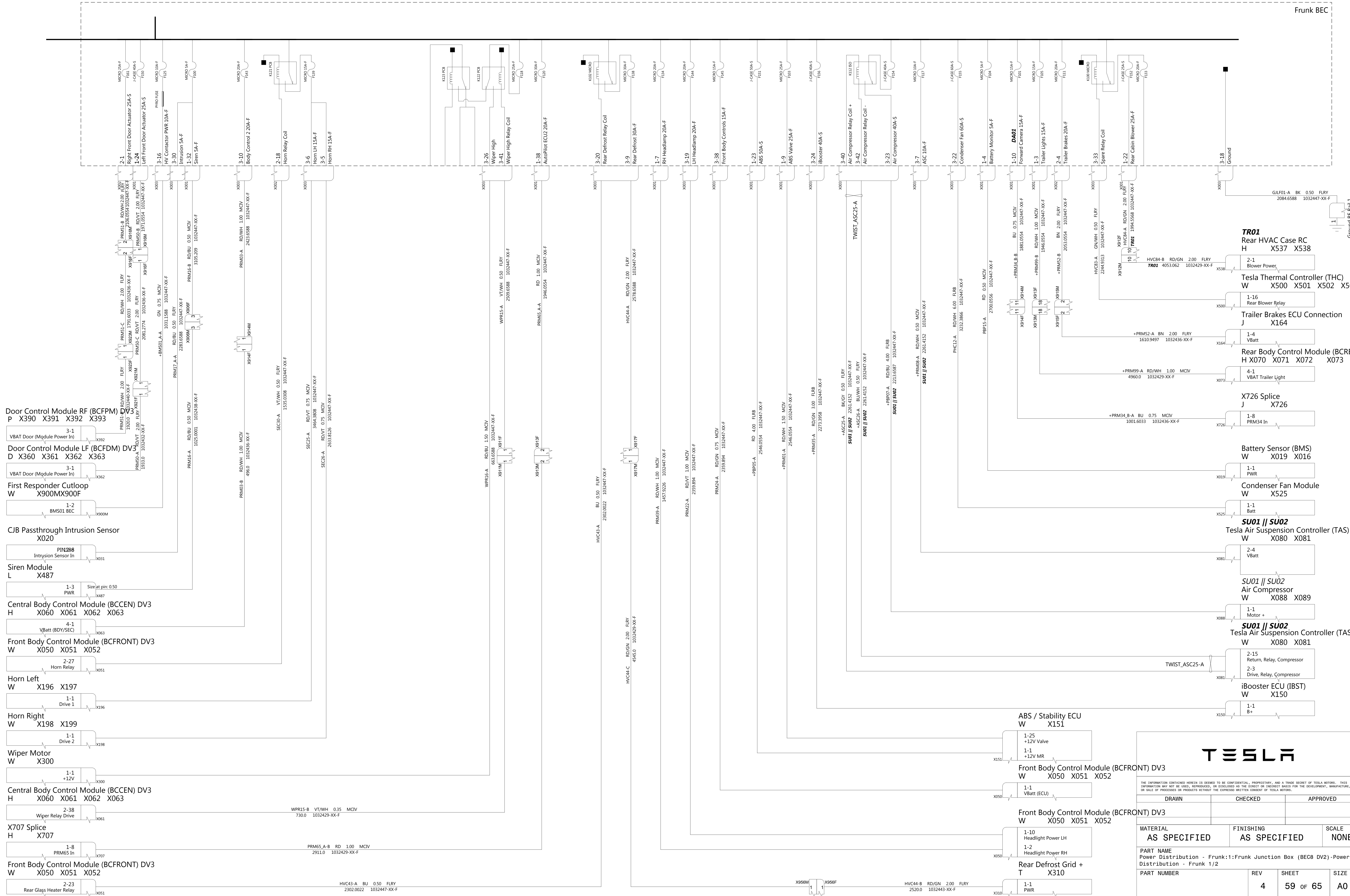
DRAWN	CHECKED	APPROVED
-------	---------	----------

MATERIAL AS SPECIFIED	FINISHING AS SPECIFIED	SCALE NONE
--------------------------	---------------------------	---------------

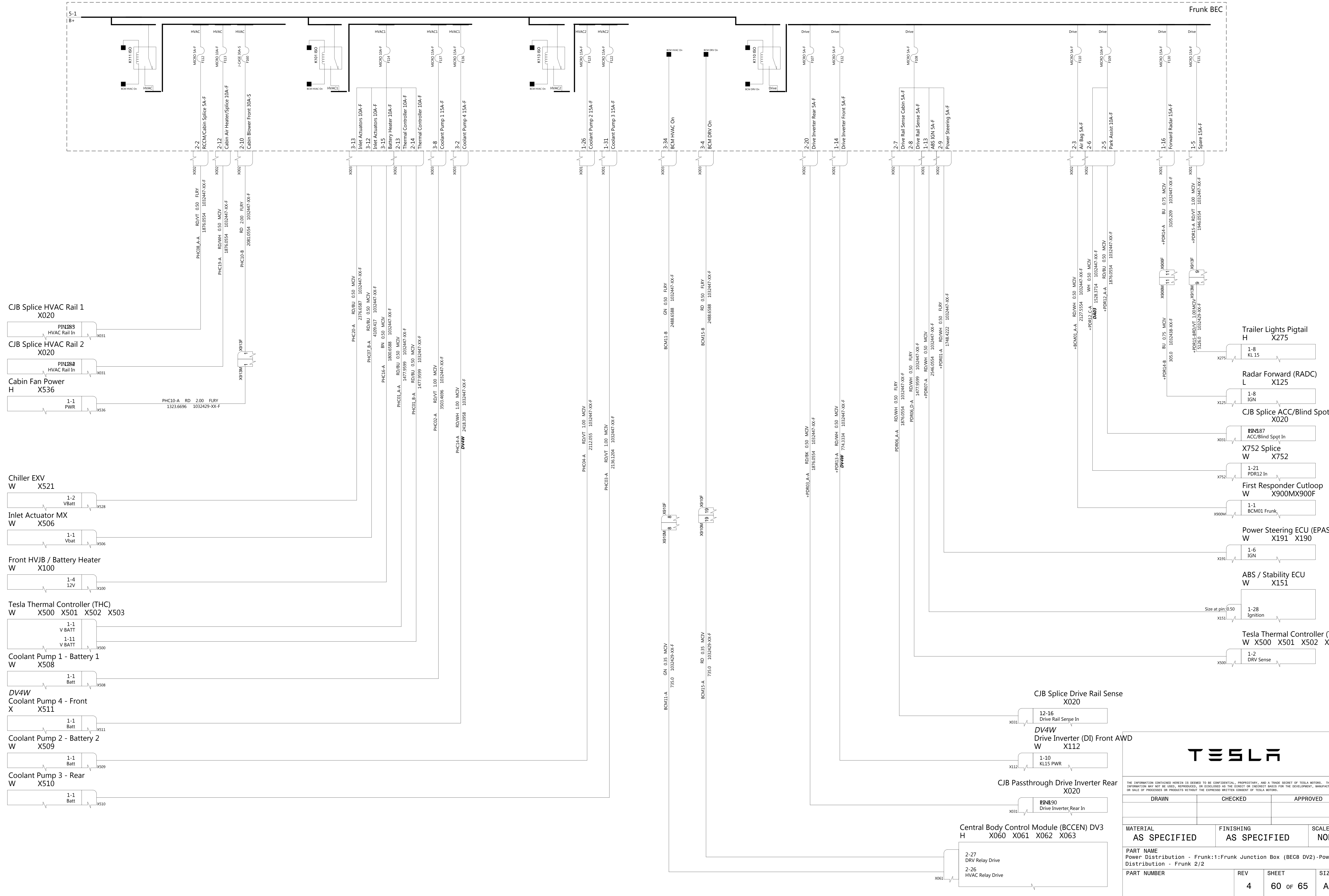
PART NAME  
Power Distribution - Cabin:1:Cabin Junction Box (BEC8 DV2) - Rev2  
Updated CAN-Power Distribution - Cabin 3/3

PART NUMBER	REV	SHEET	SIZE
	4	57 OF 65	A0



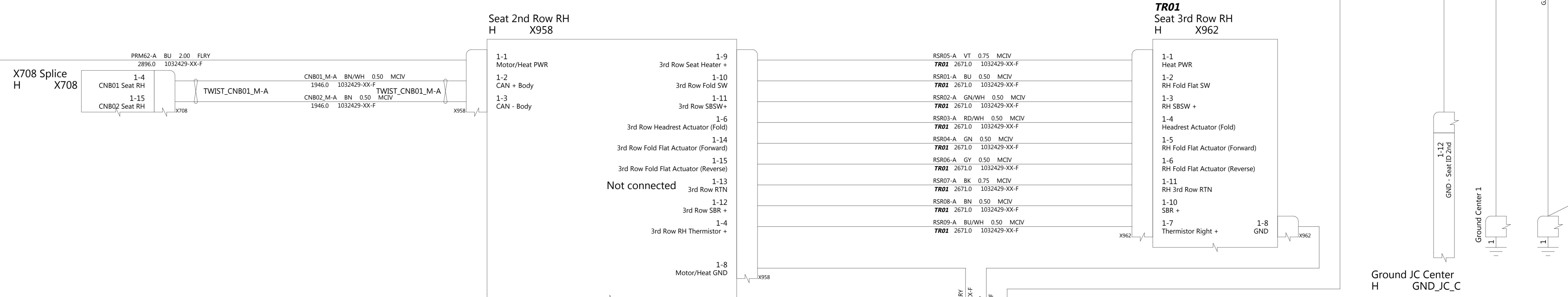
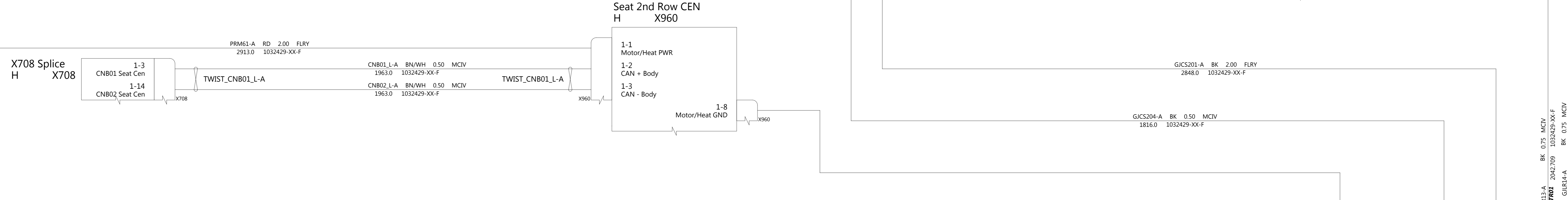
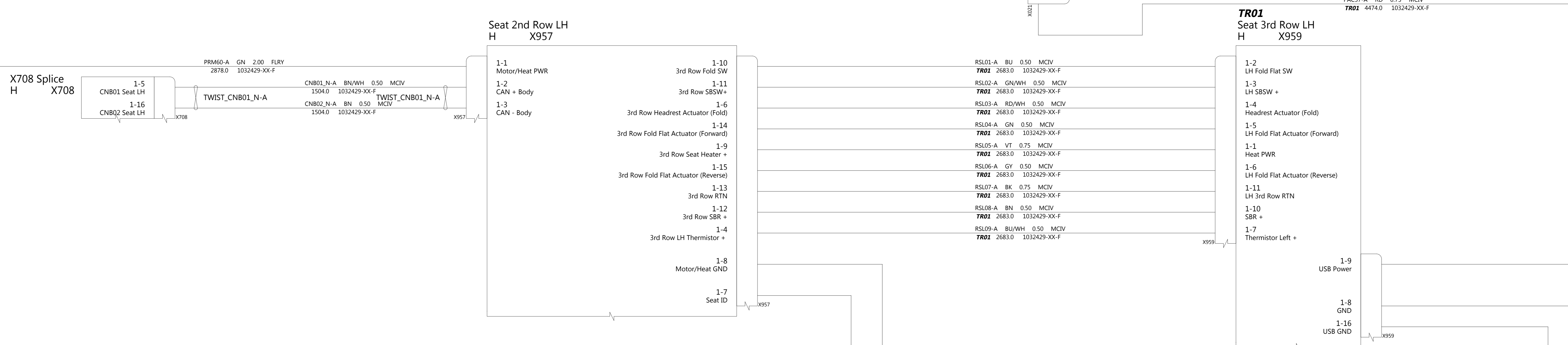
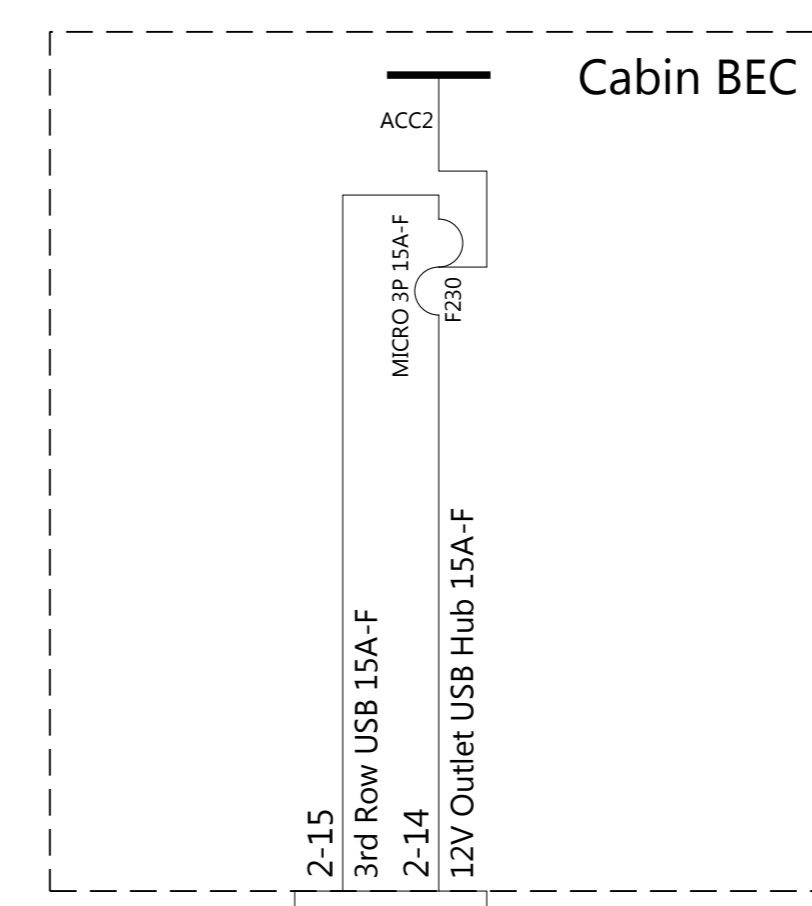
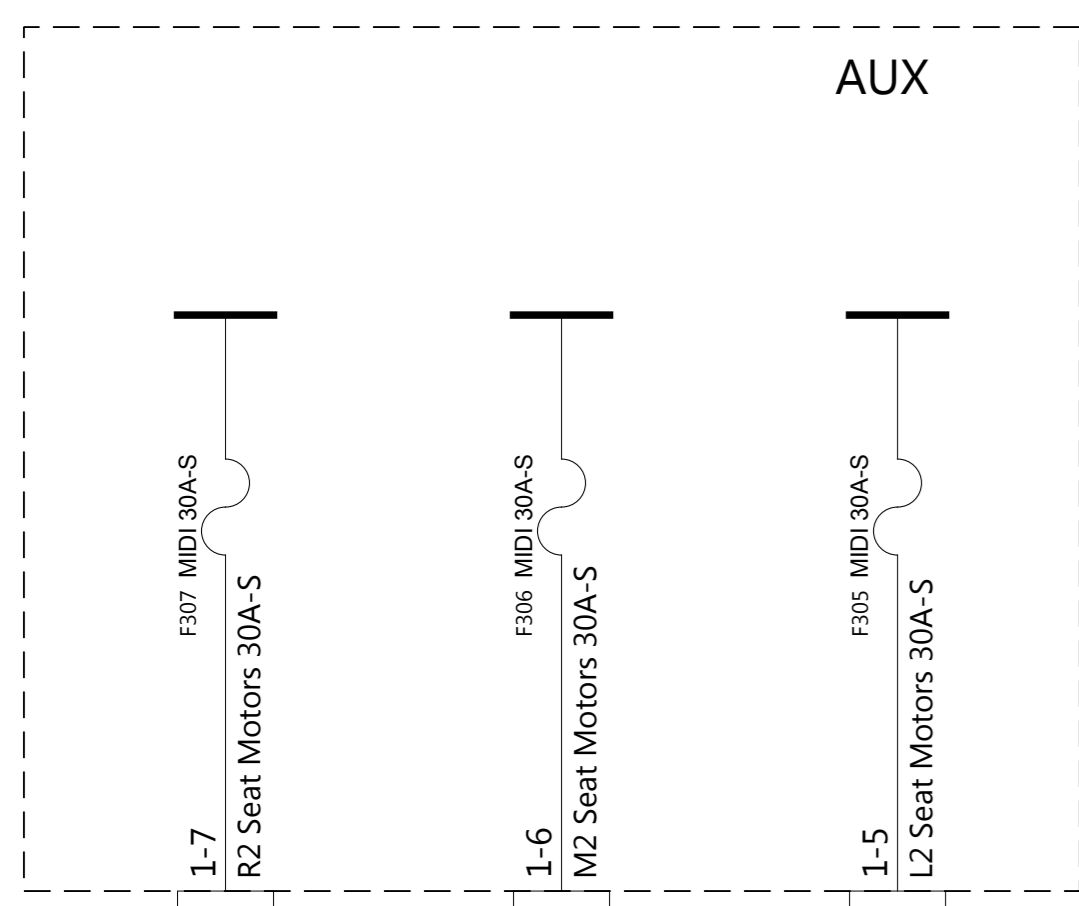


DRAWN			CHECKED			APPROVED		
MATERIAL AS SPECIFIED			FINISHING AS SPECIFIED			SCALE NONE		
PART NAME Power Distribution - Frunk:::Frunk Junction Box (BE2) -Power Distribution - Frunk 1/2								
PART NUMBER			REV		SHEET		SIZE	
			4		59 OF 65		A0	



THE INFORMATION CONTAINED HEREIN IS DEEMED TO BE CONFIDENTIAL, PROPRIETARY, AND A TRADE SECRET OF TESLA MOTORS. THIS INFORMATION MAY NOT BE USED, REPRODUCED, OR DISCLOSED AS THE DIRECT OR INDIRECT BASIS FOR THE DEVELOPMENT, MANUFACTURE, OR SALE OF PRODUCTS OR SERVICES WITHOUT THE EXPRESS WRITTEN CONSENT OF TESLA MOTORS.

DRAWN	CHECKED	APPROVED
MATERIAL AS SPECIFIED	FINISHING AS SPECIFIED	SCALE NONE
PART NAME Power Distribution - Frunk:1:Frunk Junction Box (BECB DV2)-Power Distribution - Frunk 2/2		
PART NUMBER	REV	SHEET
	4	60 OF 65
		SIZE
		A0



**TESLA**

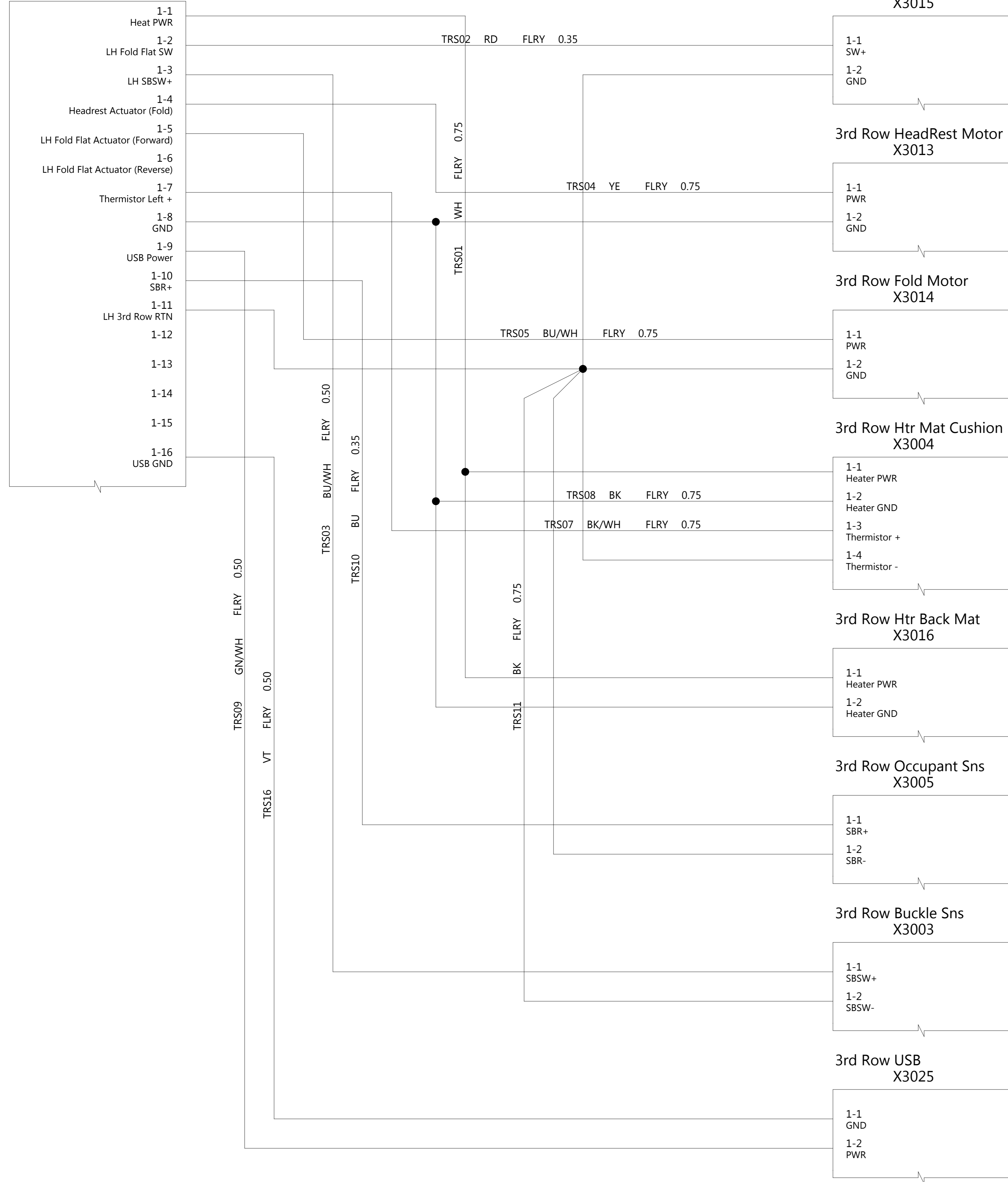
THE INFORMATION CONTAINED HEREIN IS DEEMED TO BE CONFIDENTIAL, PROPRIETARY, AND A TRADE SECRET OF TESLA MOTORS. THIS INFORMATION MAY NOT BE USED, REPRODUCED, OR DISCLOSED AS THE DIRECT OR INDIRECT BASIS FOR THE DEVELOPMENT, MANUFACTURE, OR SALE OF PROCESSES OR PRODUCTS WITHOUT THE EXPRESS WRITTEN CONSENT OF TESLA MOTORS.

DRAWN	CHECKED	APPROVED
MATERIAL AS SPECIFIED	FINISHING AS SPECIFIED	SCALE NONE
PART NAME Rear Seat Interface:1:Rear Seat Interface / Rear Heated Seats (MCU1.5)-Rear Seat Interface		
PART NUMBER	REV 4	SHEET 61 OF 65
		SIZE A0





Seat to Body Inline 3rd Row  
X3001



**TESLA**

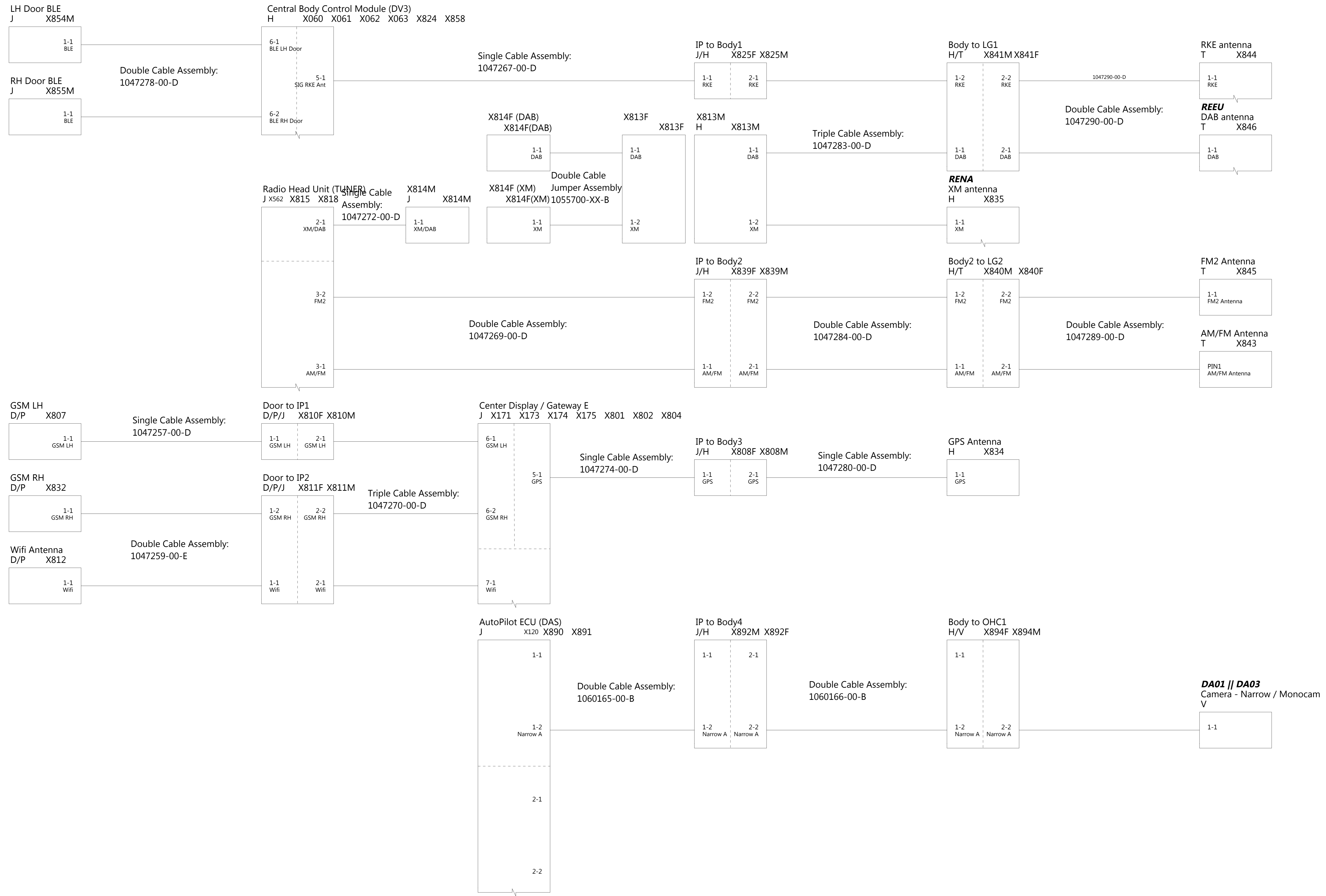
THE INFORMATION CONTAINED HEREIN IS DESIGNED TO BE CONFIDENTIAL, PROPRIETARY, AND A TRADE SECRET OF TESLA MOTORS. THIS INFORMATION MAY NOT BE USED, REPRODUCED, OR DISCLOSED TO THE GUEST OR PROJECT BACKS FOR THE DEVELOPMENT, MANUFACTURE, OR SALE OF PROCESSES OR PRODUCTS WITHOUT THE EXPRESS WRITTEN CONSENT OF TESLA MOTORS.

DRAWN	CHECKED	APPROVED

MATERIAL AS SPECIFIED	FINISHING AS SPECIFIED	SCALE NONE
--------------------------	---------------------------	---------------

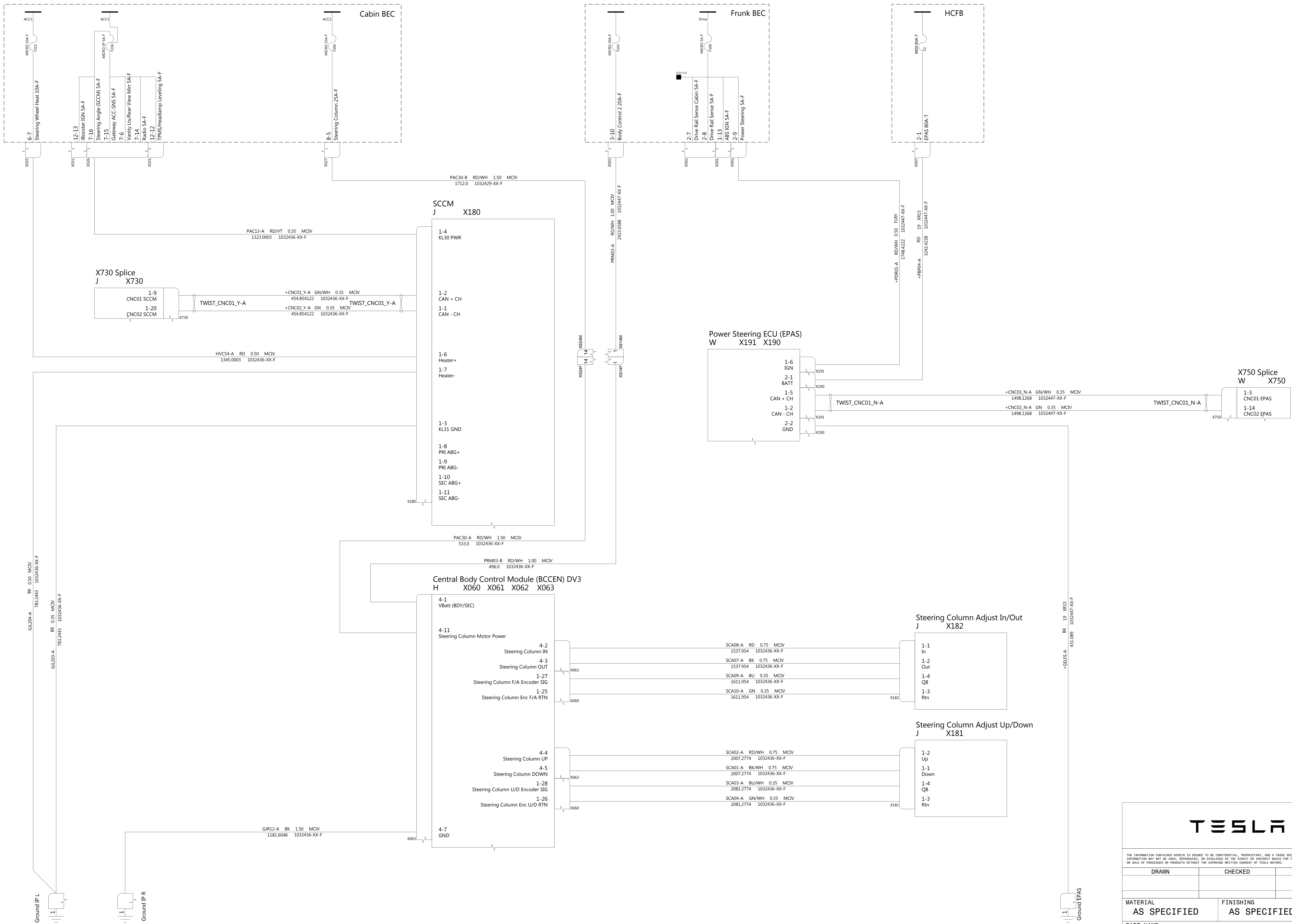
PART NAME  
Rear Seat Interface P4 - Third Row Seat Internal Wiring

PART NUMBER	REV	SHEET	SIZE
	1	4 OF 4	A0



THE INFORMATION CONTAINED HEREIN IS DEEMED TO BE CONFIDENTIAL, PROPRIETARY, AND A TRADE SECRET OF TESLA MOTORS. THIS INFORMATION MAY NOT BE USED, REPRODUCED, OR DISCLOSED AS THE DIRECT OR INDIRECT BASIS FOR THE DEVELOPMENT, MANUFACTURE, OR SALE OF PROCESSES OR PRODUCTS WITHOUT THE EXPRESSED WRITTEN CONSENT OF TESLA MOTORS.

DRAWN		CHECKED	APPROVED
MATERIAL AS SPECIFIED		FINISHING AS SPECIFIED	SCALE NONE
PART NAME RF Cables:RF Cables:Coaxial Cables-RF Cables			
PART NUMBER	REV	SHEET	SIZE
	4	62 OF 65	A0



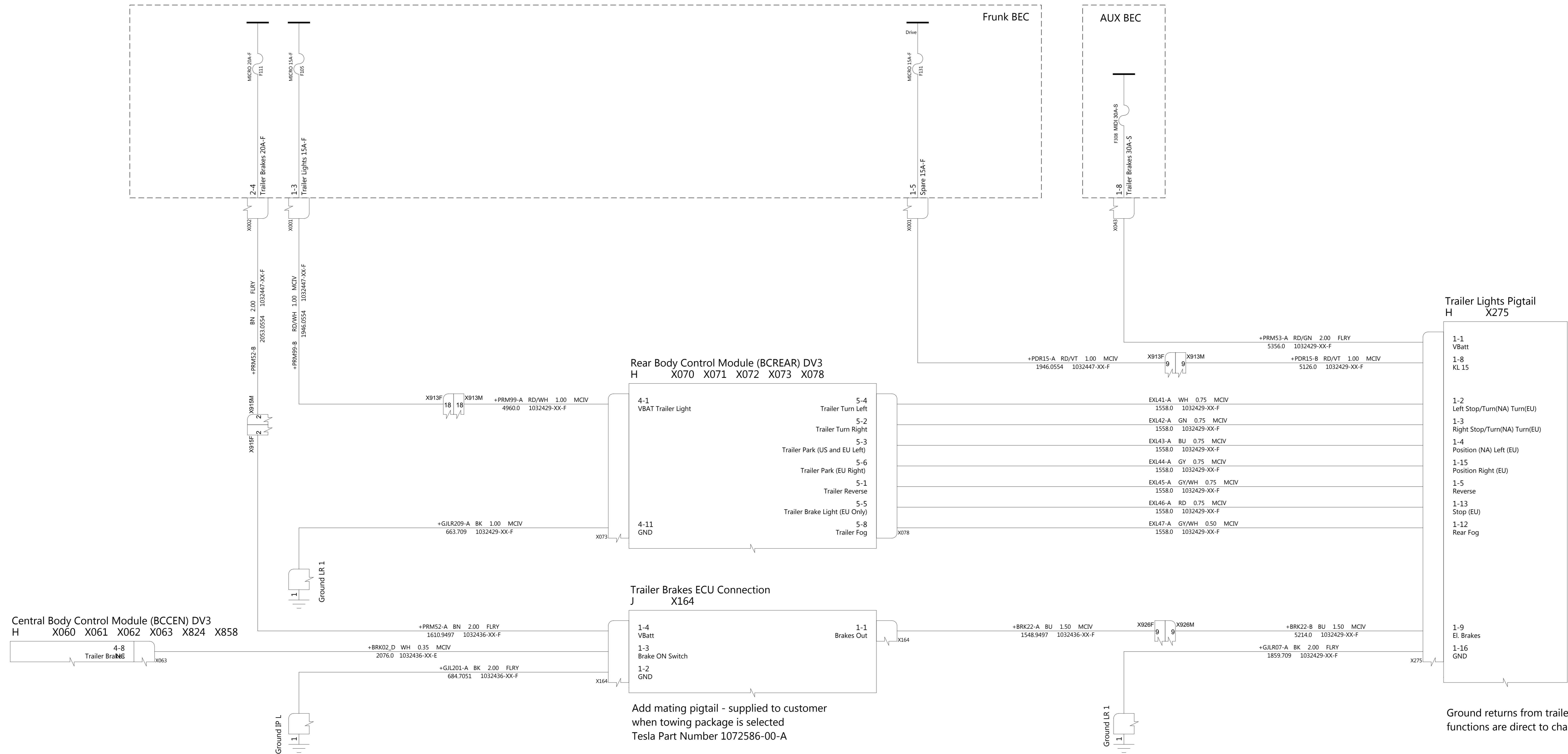
THE INFORMATION CONTAINED HEREIN IS DEEMED TO BE CONFIDENTIAL, PROPRIETARY, AND A TRADE SECRET OF TESLA MOTORS. THIS INFORMATION MAY NOT BE USED, REPRODUCED, OR DISCLOSED AS THE DIRECT OR INDIRECT BASIS FOR THE DEVELOPMENT, MANUFACTURE, OR SALE OF PROCESSES OR PRODUCTS WITHOUT THE EXPRESSED WRITTEN CONSENT OF TESLA MOTORS.

DRAWN	CHECKED	APPROVED
-------	---------	----------

MATERIAL AS SPECIFIED	FINISHING AS SPECIFIED	SCALE NONE
--------------------------	---------------------------	---------------

PART NAME  
Steering:1:Steering Wheel Controls / Power Steering (DV2) - Rev2  
Updated GNDs-Steering

PART NUMBER	REV	SHEET	SIZE
	4	63 OF 65	A0



Rear Body Control Module (BCREAR) DV3  
H X070 X071 X072 X073 X078

Trailer Brakes ECU Connection  
J X164

Add mating pigtail - supplied to customer  
when towing package is selected  
Tesla Part Number 1072586-00-A

Trailer Lights Pigtail  
H X275

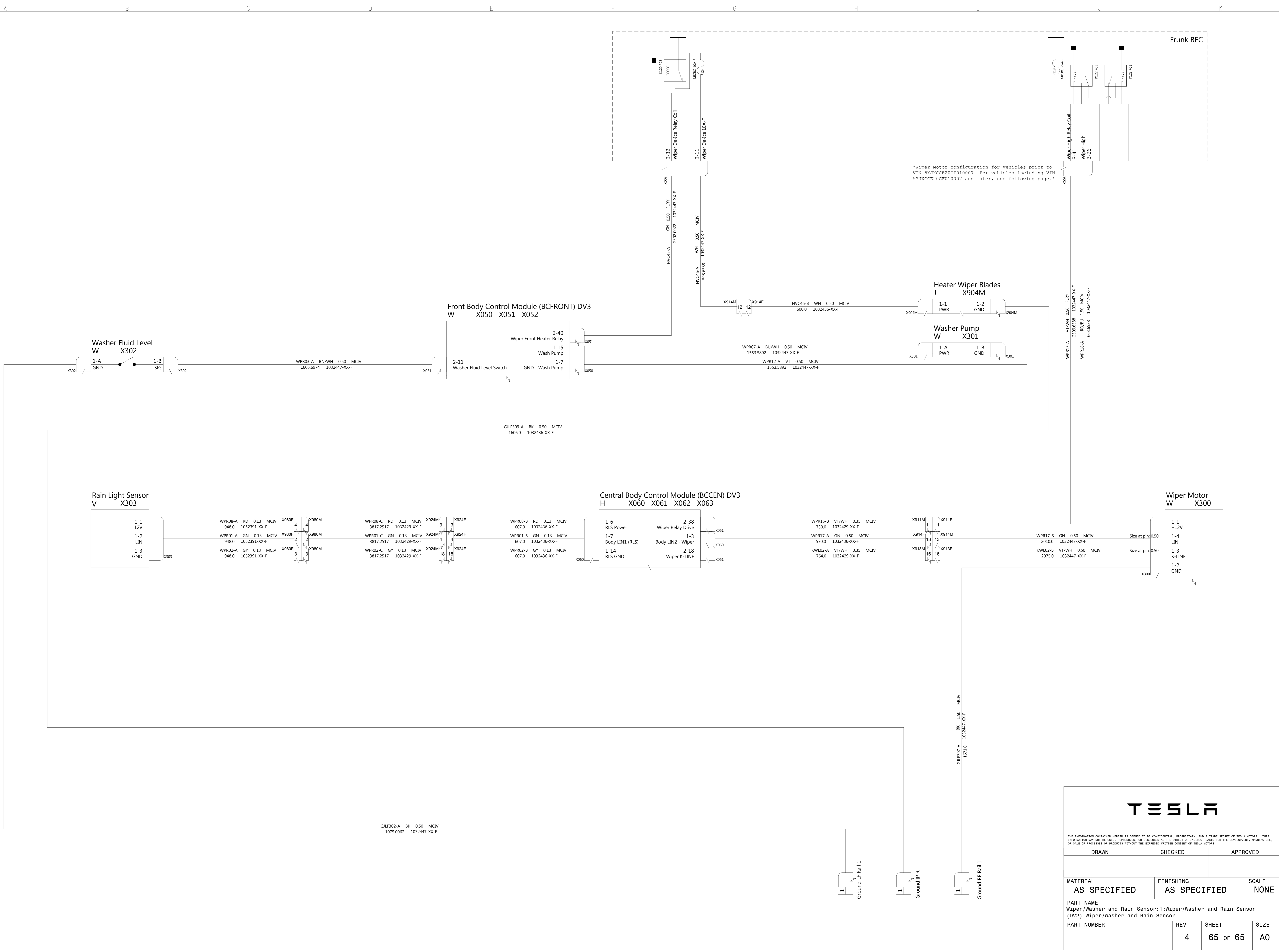
- 1-1 VBatt
- 1-8 KL 15
- 1-2 Left Stop/Turn(NA) Turn(EU)
- 1-3 Right Stop/Turn(NA) Turn(EU)
- 1-4 Position (NA) Left (EU)
- 1-15 Position Right (EU)
- 1-5 Reverse
- 1-13 Stop (EU)
- 1-12 Rear Fog
- 1-9 El Brakes
- 1-16 GND

Ground returns from trailer  
functions are direct to chassis



THE INFORMATION CONTAINED HEREIN IS DEEMED TO BE CONFIDENTIAL, PROPRIETARY, AND A TRADE SECRET OF TESLA MOTORS. THIS INFORMATION MAY NOT BE USED, REPRODUCED, OR DISCLOSED AS THE DIRECT OR INDIRECT BASIS FOR THE DEVELOPMENT, MANUFACTURE, OR SALE OF PROCESSES OR PRODUCTS WITHOUT THE EXPRESSED WRITTEN CONSENT OF TESLA MOTORS.

DRAWN	CHECKED	APPROVED
MATERIAL AS SPECIFIED	FINISHING AS SPECIFIED	SCALE NONE
PART NAME Trailer Systems:1:Trailer Systems (DV2)-Trailer Systems		
PART NUMBER	REV	SHEET
	4	64 OF 65
		SIZE A0



\*Wiper Motor configuration for vehicles prior to VIN 5YJXCCE20GF010007. For vehicles including VIN 5YJXCCE20GF010007 and later, see following page.\*



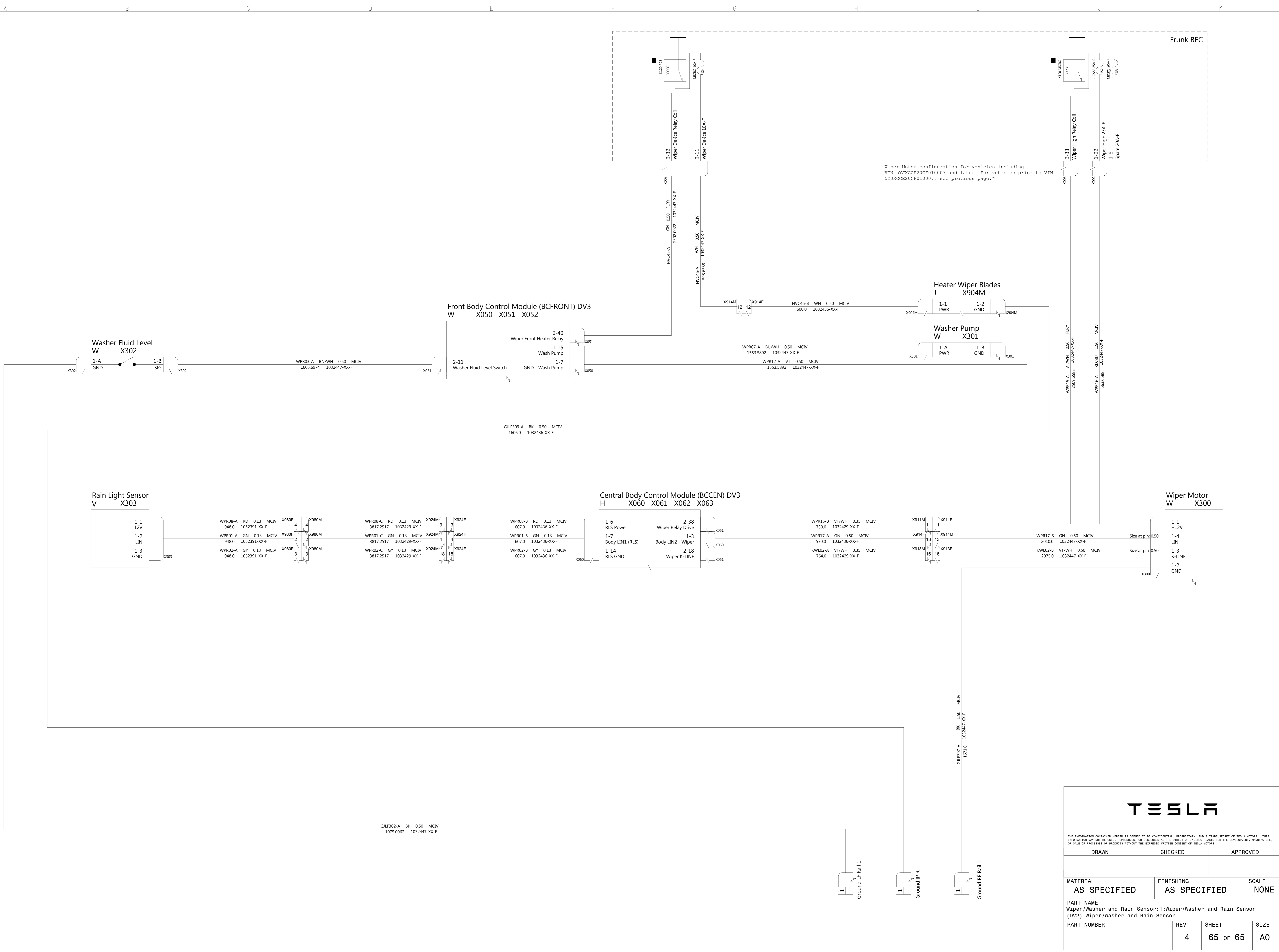
THE INFORMATION CONTAINED HEREIN IS DEEMED TO BE CONFIDENTIAL, PROPRIETARY, AND A TRADE SECRET OF TESLA MOTORS. THIS INFORMATION MAY NOT BE USED, REPRODUCED, OR DISCLOSED AS THE DIRECT OR INDIRECT BASIS FOR THE DEVELOPMENT, MANUFACTURE, OR SALE OF PROCESSES OR PRODUCTS WITHOUT THE EXPRESSED WRITTEN CONSENT OF TESLA MOTORS.

DRAWN	CHECKED	APPROVED
-------	---------	----------

MATERIAL AS SPECIFIED	FINISHING AS SPECIFIED	SCALE NONE
--------------------------	---------------------------	---------------

PART NAME  
Wiper/Washer and Rain Sensor:1:Wiper/Washer and Rain Sensor (DV2) -Wiper/Washer and Rain Sensor

PART NUMBER	REV	SHEET	SIZE
	4	65 OF 65	A0

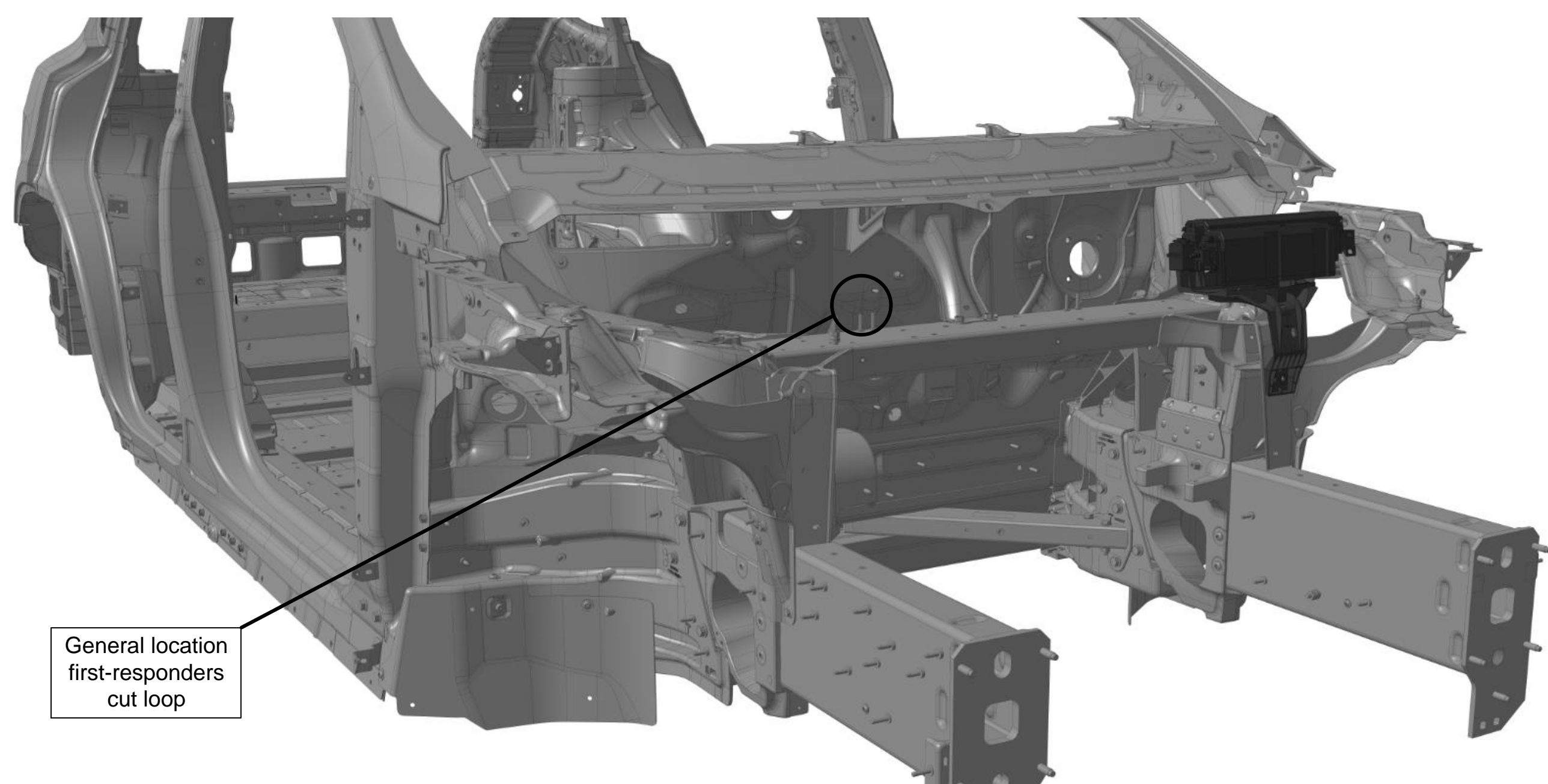
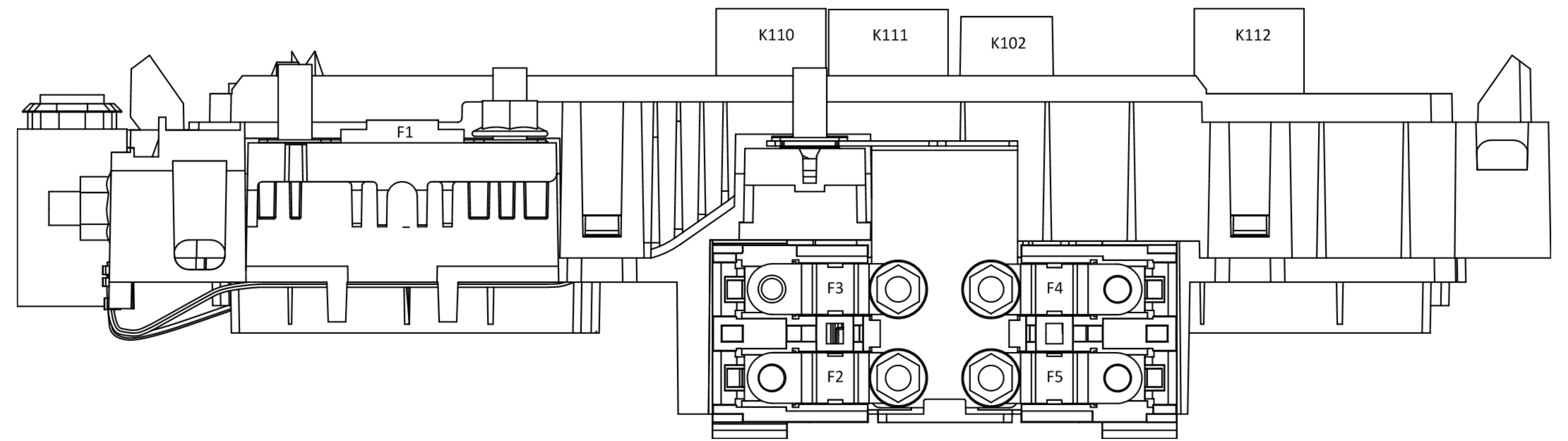
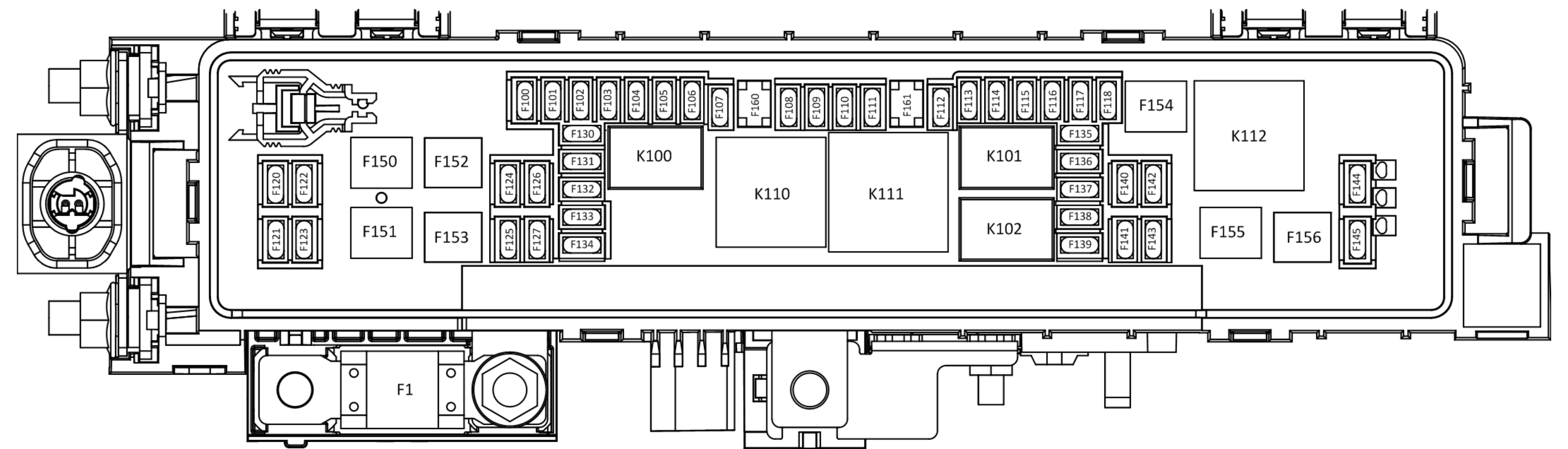


THE INFORMATION CONTAINED HEREIN IS DEEMED TO BE CONFIDENTIAL, PROPRIETARY, AND A TRADE SECRET OF TESLA MOTORS. THIS INFORMATION MAY NOT BE USED, REPRODUCED, OR DISCLOSED AS THE DIRECT OR INDIRECT BASIS FOR THE DEVELOPMENT, MANUFACTURE, OR SALE OF PROCESSES OR PRODUCTS WITHOUT THE EXPRESSED WRITTEN CONSENT OF TESLA MOTORS.

DRAWN	CHECKED	APPROVED
MATERIAL AS SPECIFIED	FINISHING AS SPECIFIED	SCALE NONE
PART NAME Wiper/Washer and Rain Sensor:1:Wiper/Washer and Rain Sensor (DV2) - Wiper/Washer and Rain Sensor		
PART NUMBER	REV 4	SHEET 65 OF 65
		SIZE A0

Fuse	Value	Function
F1	MEGA - 250A	DCDC power input
F2	MIDI - 80A	Power Steering
F3		not used
F4	MIDI - 125A	Cabin BEC (fuse box)
F5	MIDI - 200A	AUX BEC (fuse box)
F100	MICRO2 - 5A	Siren and Intrusion Sensor
F101	MICRO2 - 15A	Forward Camera
F102		not used
F103	MICRO2 - 25A	ABS - Valves
F104	MICRO2 - 5A	12V Battery Monitor
F105	MICRO2 - 15A	Trailer Lights
F106		not used
F107	MICRO2 - 5A	Drive Inverter, Rear
F108	MICRO2 - 5A	IGN Sense
F109	MICRO2 - 10A	
F110	MICRO2 - 5A	Airbag System
F111	MICRO2 - 20A	Trailer Brakes Controller (Controller supplied by Customer)
F112	MICRO2 - 5A	Cabin Climate Controls, Front / Ionizer
F113	MICRO2 - 10A	Cabin Heater, Rear Climate Control, Air Quality Sensor
F114	MICRO2 - 10A	Thermal Controller, Battery Heater, Inlet, Chiller Valve
F115		not used
F116	MICRO2 - 10A	not used
F117	MICRO2 - 10A	Air Suspension
F118	MICRO2 - 25A	Windshield Wiper
F120	MICRO2 - 30A	Second row Seats Secondary Power - tilt
F121	MICRO2 - 5A	
F122	MICRO2 - 15A	Coolant Pump 3 (PT1)
F123	MICRO2 - 15A	Coolant Pump 2 (BA1)
F124	MICRO2 - 10A	Wiper De-ice (function TBD)
F125	MICRO2 - 10A	Contactors Power
F126		not used
F130	MICRO2 - 15A	Forward Radar
F131	MICRO2 - 15A	IGN - Trailer Connector
F132	MICRO2 - 5A	Drive Inverter, Front
F133		not used
F134	MICRO2 - 20A	Headlamp, Right
F135		not used
F136	MICRO2 - 15A	Coolant Pump 4 (PT2)
F137	MICRO2 - 15A	Coolant Pump 1 (BA1)
F138	MICRO2 - 30A	Rear Defrost Grid
F139	MICRO2 - 15A	Horns
F140		not used
F141		not used
F142		not used
F143	MICRO2 - 20A	Central Body Controller
F144	MICRO2 - 20A	Headlamp, Left
F145	MICRO2 - 15A	Front Body Controller
F150	JCASELP - 25A	Left Front Door Actuator
F151	JCASELP - 50A	ABS - Motor
F152	JCASELP - 25A	Rear Cabin Blower
F153		not used
F154	JCASELP - 40A	Air Compressor
F155	JCASELP - 60A	Condenser Fan
F156	JCASELP - 40A	iBooster / Brake Assist
F160	JCASELP - 30A	Cabin Blower, Front
F161	JCASEM - 25A	Right Front Door Actuator

Relay	Type	Function
K100	MICRO280	Cabin Blower, Rear
K101	MICRO280	HVAC Group 1 (F114, F136, F137)
K102	MICRO280	Rear Defrost Grid
K110	ISO	IGN / Drive Power (F107-F110, F130-F132)
K111	ISO	HVAC (F112, F113, F160)
K112	ISO	Air Compressor



NAME	DATE	INTERPRET DIMENSIONS AND TOLERANCES PER ISO 1101, 128, 129	
DRAWN BY	AS SPECIFIED	AS SPECIFIED	
<b>TESLA</b>			
THE INFORMATION CONTAINED HEREIN IS DEEMED TO BE CONFIDENTIAL, PROPRIETARY, AND A TRADE SECRET OF TESLA MOTORS. THIS INFORMATION MAY NOT BE USED, REPRODUCED, OR DISCLOSED AS THE DIRECT OR INDIRECT BASIS FOR THE DEVELOPMENT, MANUFACTURE, OR SALE OF PROCESSES OR PRODUCTS WITHOUT THE EXPRESSED WRITTEN CONSENT OF TESLA MOTORS.			
MATERIAL AS SPECIFIED			
FINISH AS SPECIFIED		EST. WEIGHT (g): TBD	
THIRD ANGLE PROJECTION 	DIMENSIONS ARE IN MILLIMETERS TOLERANCES: ANGULAR ±0.5° OTHER: See above		SHEET SIZE B
			NONE
ITEM NAME Model X Frunk Fuse box – SOP1			
ITEM NUMBER AS SPECIFIED		REVISION 01	SHEET 1 of 1

1

2

3

4

5

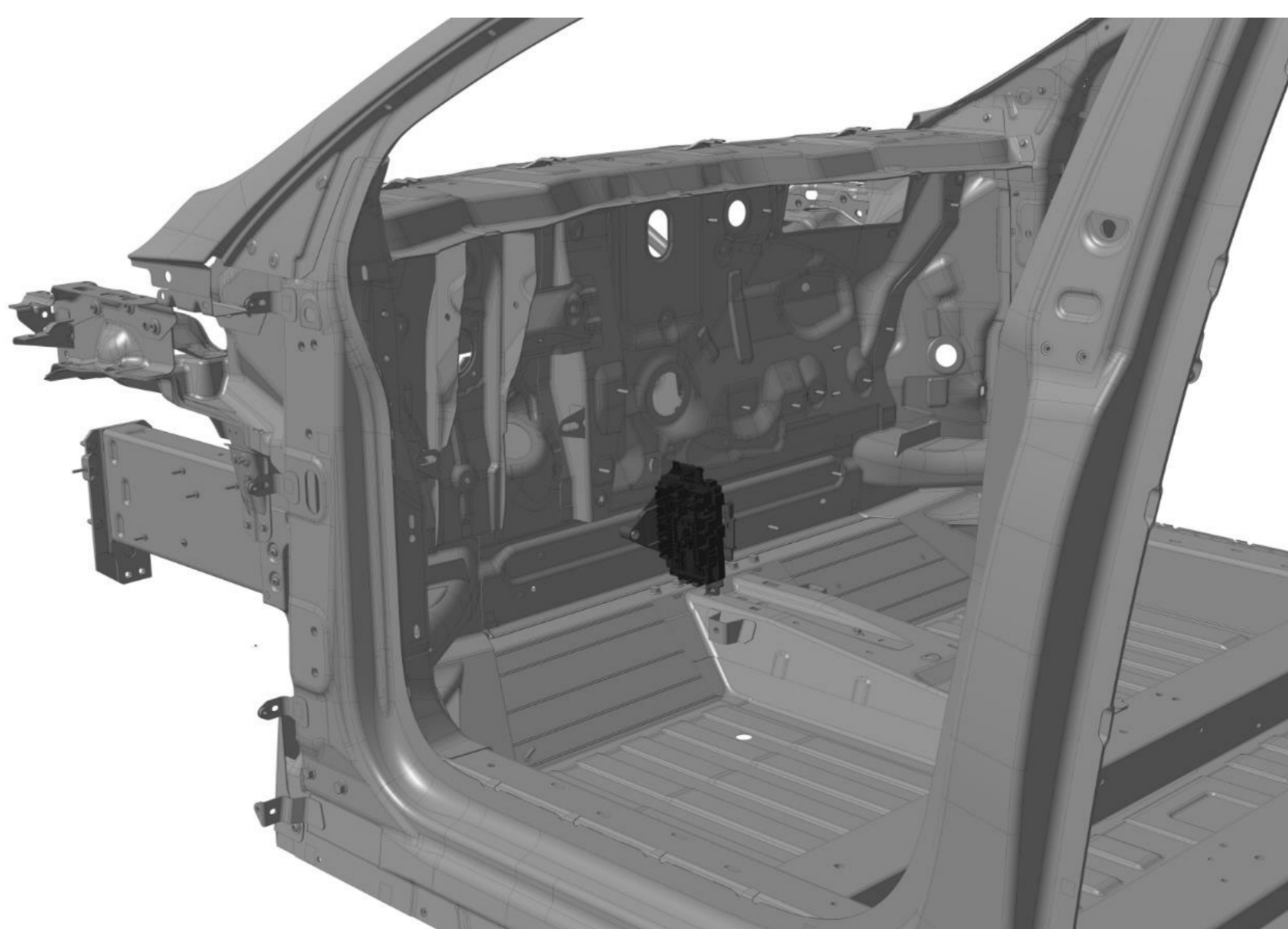
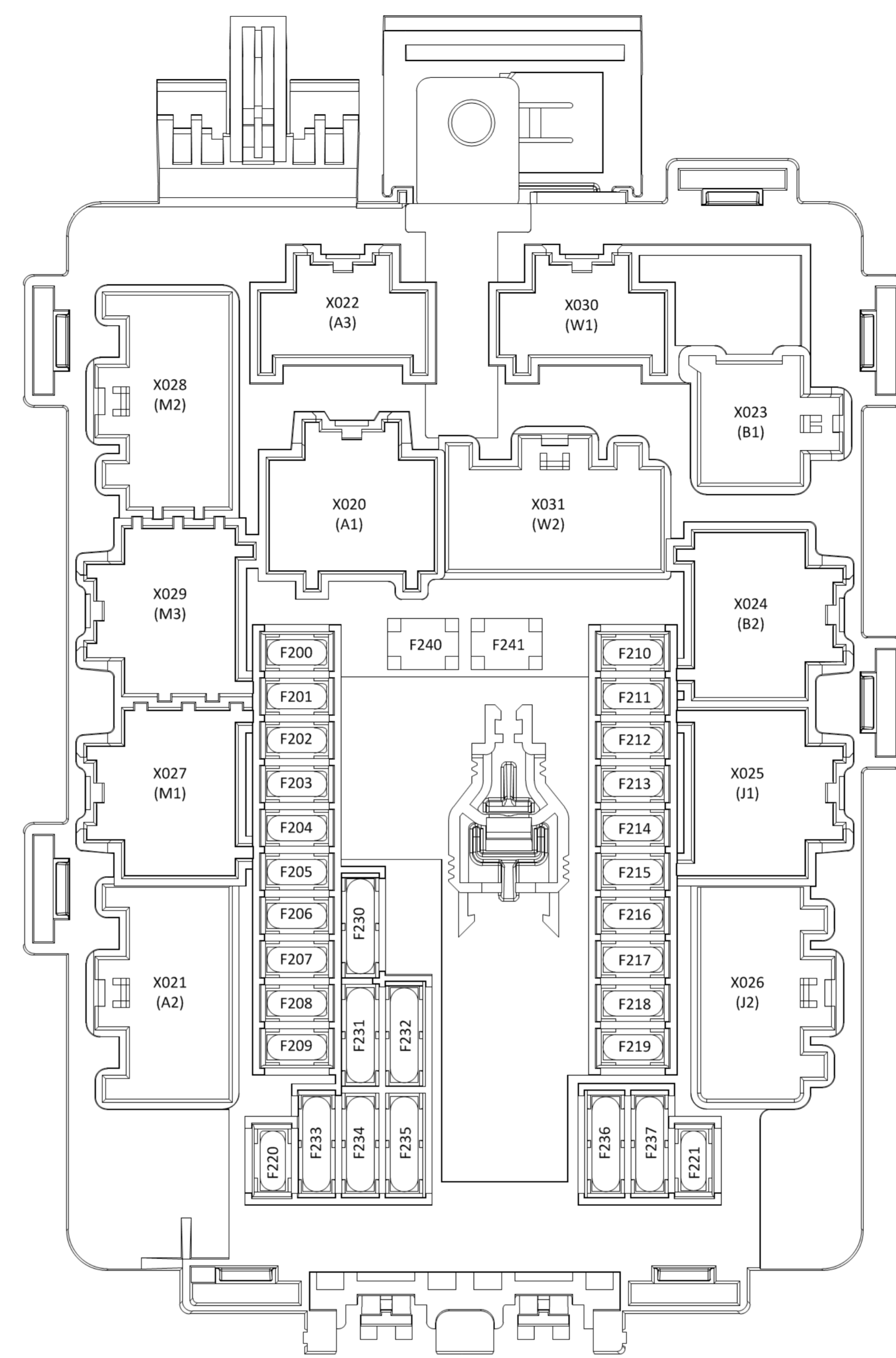
6

7

8

Fuse	Value	Function
F200	MICRO2 - 5A	Seat Memory
F201	MICRO2 - 25A	Window Motor, LR
F202	MICRO2 - 15A	12V outlet, rear
F203	MICRO2 - 20A	not used
F204	MICRO2 - 25A	Window Motor, RF
F205	MICRO2 - 25A	Window Motor, LF
F206	MICRO2 - 25A	Central Body Controller - Steering Column Adjust
F207	MICRO2 - 15A	USB Hub / Center Console
F208	MICRO2 - 20A	12V Outlet, Center Console
F209	MICRO2 - 15A	Rear View Camera ECU
F210	MICRO2 - 30A	Power Liftgate
F211	MICRO2 - 25A	Window Motor, RR
F212	MICRO2 - 20A	Electric Park Brake - Primary
F213	MICRO2 - 20A	Electric Park Brake - Secondary
F214	MICRO2 - 20A	not used
F215	MICRO2 - 10A	Steering Wheel Heater
F216	MICRO2 - 25A	Rear Body Controls
F217	MICRO2 - 20A	Pemium Audio Amplifier
F218	MICRO2 - 20A	Base Audio Amplifier
F219	MICRO2 - 5A	Diagnostic Port
F220	MICRO2 - 5A	Brake on-off Switch
F221	MICRO2 - 5A	Battery Management System
F230	MICRO3 - 15A	Third Row USB (spare)
F231	MICRO3 - 15A	not used
F232	MICRO3 - 15A	Seat Heater Left Front Seat Heater Right Front
F233	MICRO3 - 15A	Door Latch Left Front Door Latch Right Front
F234	MICRO3 - 15A	Door Controls Left Rear Door Controls Right Rear
F235	MICRO3 - 10A	Charging Systems Center Display
F236	MICRO3 - 5A	SCCM, iBooster IGN ACC Sense, Rear-View Mirror, Radio, TPMS
F237	MICRO3 - 5A	iBooster Instrument Cluster
F240	JCASEM - 25A	Seat Motors, Right Front
F241	JCASEM - 25A	Seat Motors, Left Front

No serviceable relays in Cabin Fuse box



NAME		DATE		INTERPRET DIMENSIONS AND TOLERANCES PER ISO 1101, 128, 129	
DRAWN BY	AS SPECIFIED	AS SPECIFIED	AS SPECIFIED	AS SPECIFIED	AS SPECIFIED
<b>TESLA</b>					
THE INFORMATION CONTAINED HEREIN IS DEEMED TO BE CONFIDENTIAL, PROPRIETARY, AND A TRADE SECRET OF TESLA MOTORS. THIS INFORMATION MAY NOT BE USED, REPRODUCED, OR DISCLOSED AS THE DIRECT OR INDIRECT BASIS FOR THE DEVELOPMENT, MANUFACTURE, OR SALE OF PROCESSES OR PRODUCTS WITHOUT THE EXPRESSED WRITTEN CONSENT OF TESLA MOTORS.					
MATERIAL AS SPECIFIED					
FINISH AS SPECIFIED				EST. WEIGHT (g): TBD	
		DIMENSIONS ARE IN MILLIMETERS TOLERANCES: ANGULAR ±0.5° OTHER: See above		SCALE	SHEET SIZE
				NONE	B
ITEM NAME Model X Cabin Fuse box – SOP1					
ITEM NUMBER AS SPECIFIED				REVISION 01	SHEET 1 of 1

1

2

3

4

5

6

7

8



1

2

3

4

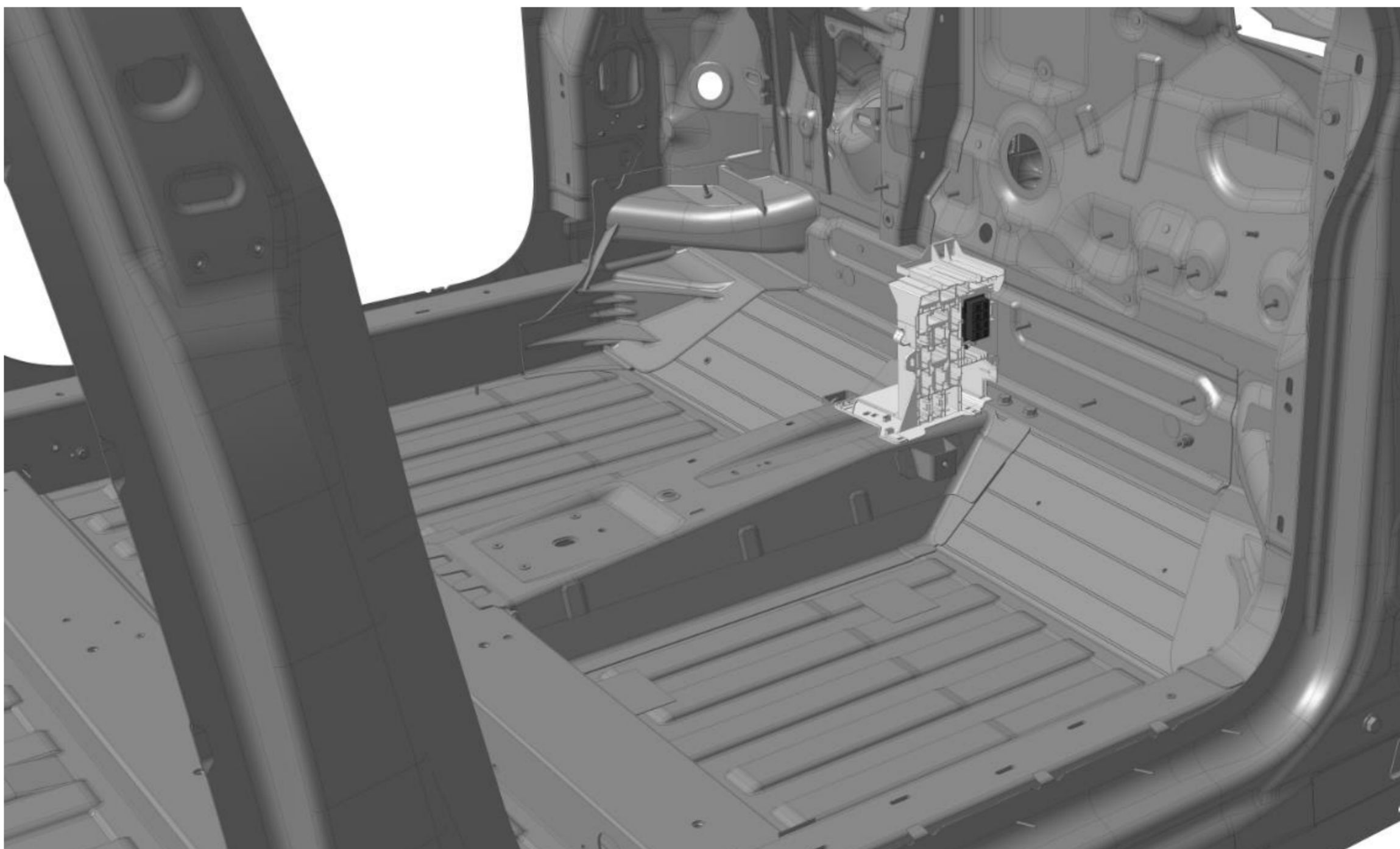
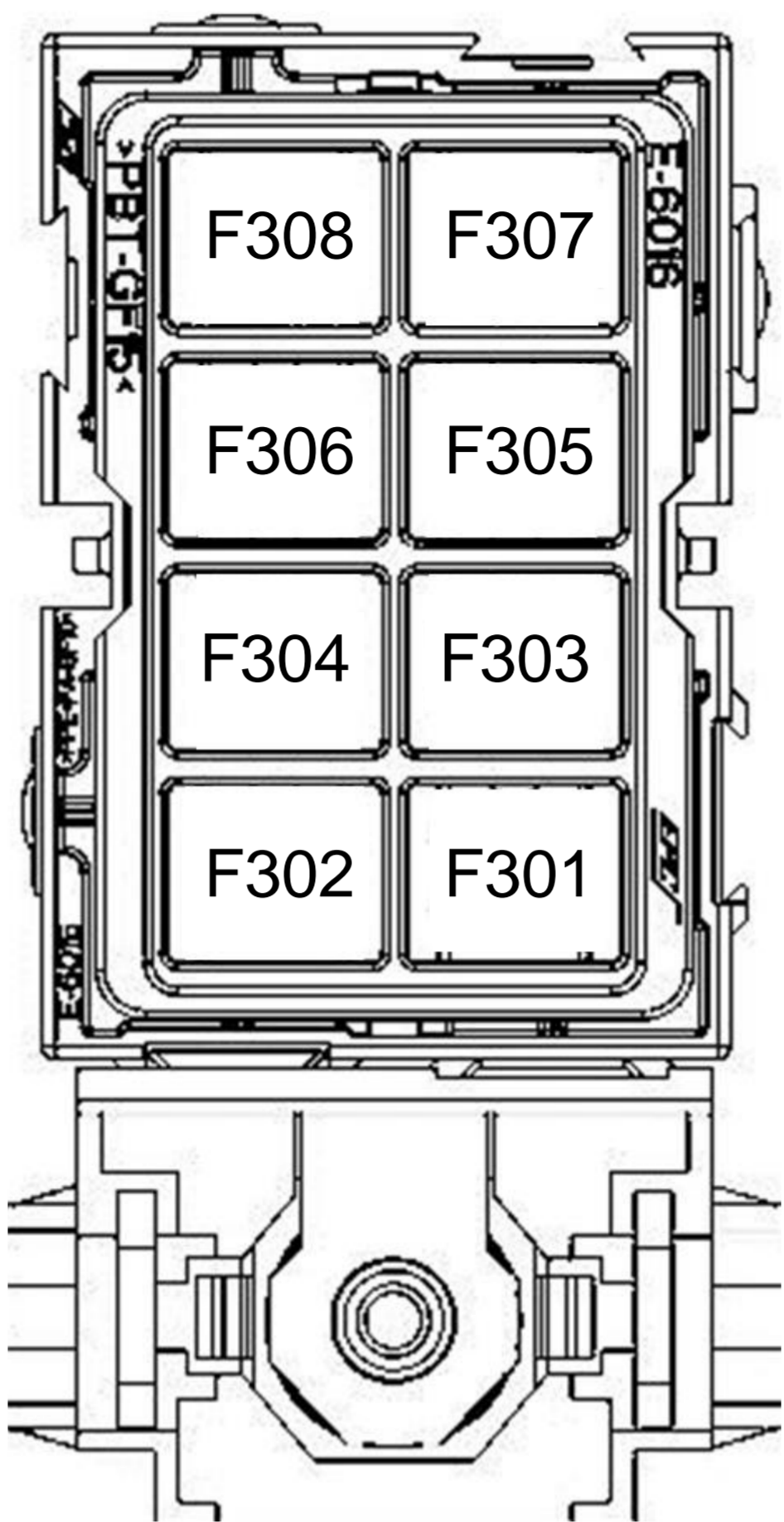
5

6

7

8

Fuse	Value	Function
F301	JCASE - 50A	Left Rear Door Actuators
F302	JCASE - 50A	Right Rear Door Actuators
F303	JCASE - 50A	Right Rear Door Actuators
F304	JCASE - 50A	Left Rear Door Actuators
F305	JCASE - 30A	Second Row Seat Power, Left
F306	JCASE - 30A	Second Row Seat Power, Middle
F307	JCASE - 30A	Second Row Seat Power, Right
F308	JCASE - 30A	Trailer Brakes Power



NAME		DATE		INTERPRET DIMENSIONS AND TOLERANCES PER ISO 1101, 128, 129	
DRAWN BY	AS SPECIFIED	AS SPECIFIED	AS SPECIFIED		
<b>TESLA</b>					
<small>THE INFORMATION CONTAINED HEREIN IS DEEMED TO BE CONFIDENTIAL, PROPRIETARY, AND A TRADE SECRET OF TESLA MOTORS. THIS INFORMATION MAY NOT BE USED, REPRODUCED, OR DISCLOSED AS THE DIRECT OR INDIRECT BASIS FOR THE DEVELOPMENT, MANUFACTURE, OR SALE OF PROCESSES OR PRODUCTS WITHOUT THE EXPRESSED WRITTEN CONSENT OF TESLA MOTORS.</small>					
MATERIAL AS SPECIFIED					
FINISH AS SPECIFIED				EST. WEIGHT (g): TBD	
		DIMENSIONS ARE IN MILLIMETERS TOLERANCES: ANGULAR ±0.5° OTHER: See above		SCALE	SHEET SIZE
				NONE	B
ITEM NAME Model X Aux Fuse box – SOP1					
ITEM NUMBER AS SPECIFIED				REVISION 01	SHEET 1 of 1

1

2

3

4

5

6

7

8