

Page	Description
1	Table of Contents and Legend
2	12V Outlets / USB Power
3	Air Suspension
4	Audio, Base & Premium 1/2 - MCU
5	Audio, Base & Premium 2/2 - Booster
6	CAN - ABS
7	CAN - BFT
8	CAN - Body
9	CAN - Chassis
10	CAN - Falcon Sensing
11	CAN - Powertrain
12	CAN - Thermal
13	Chassis (Braking and Stability) 1/2 - Braking and Stability
14	Chassis (Braking and Stability) 2/2 - Brake Switch, Park Brake
15	Diagnostics
16	Door Controls - Front Actuators
17	Door Controls - Front Left Side
18	Door Controls - Rear Left Side 1/2
19	Door Controls - Rear Left Side 2/2
20	Door Controls - Front Right Side
21	Door Controls - Rear Right Side 1/2
22	Door Controls - Rear Right Side 2/2
23	Drive Inverter
24	Drive Inverter - RHD
25	Driver Assistance (1/2) - AutoPilot ECU
26	Driver Assistance (2/2) - AutoPilot Data Cables
27	Energy System - Charger Logic Connections
28	Exterior Illumination Front
29	Exterior Illumination Rear
30	Falcon Doors 1/5- Left Struts
31	Falcon Doors 2/5- Right Struts
32	Falcon Doors 3/5- Capacitive Sensors
33	Falcon Doors 4/5- Pinch Sensors
34	Falcon Doors 5/5- Ultrasonic Sensors
35	Front Seat Interface - LHS
36	Front Seats - Internal Wiring
37	Front Seat Interface - RHS
38	Grounding - Frunk
39	Grounding - A-Pillars
40	Grounding - IP and Center 1/2 - IP
41	Grounding - IP and Center 2/2 - Center
42	Grounding - Rear Doors
43	Grounding - Rear
44	Hatch Front Actuators/Sensors
45	Hatch Rear Actuators/Sensors
46	High Voltage Interlock (HVIL)
47	Horn and Passive Entry / Security 1/2
48	Horn and Passive Entry / Security 2/2
49	HVAC - Cabin Climate and Rear Defrost
50	HVAC - Internal Case Wiring
51	HVAC - Powertrain Cooling - Components
52	HVAC - Powertrain Cooling - Coolant Cycle
53	Instrument Cluster / LIN
54	Interior Illumination Maplights
55	Mirrors - Center and Side
56	Parking Aids
57	Passive Restraints - IP and Front
58	Passive Restraints 1/2
59	Passive Restraints 2/2
60	Auxiliary Fuse Box
61	Cabin BEC 1/3
62	Cabin BEC 2/3
63	Cabin BEC 3/3
64	E-Fuse
65	Frunk BEC 1/2
66	Frunk BEC 2/2
67	Rear Seat Interface
68	Rear Seat Internal Wiring - 2nd Row Monopost
69	Rear Seat Internal Wiring - 2nd Row 60-40
70	Rear Seat Internal Wiring - 3rd Row
71	RF Cables
72	Steering Wheel Controls / Power Steering
73	Trailer Systems
74	Wiper / Washer and HVAC Sensor
75	Frunk Fusebox Layout
76	Cabin Fusebox Layout
77	Auxiliary Fusebox Layout
78	E-Fuse Layout

Table 1: Abbreviations

LF	Left Front	RF	Right Front
LR	Left Rear	RR	Right Rear
LHS	Left-Hand Side	RHS	Right-Hand Side

Table 2: Harness Designators

C	Center Console	RO	LR Door Strut Harness
D	LF Door Harness	RT	LR Door Trim Harness
DT	LF Door Trim Harness	RU	LR Upper Door Harness
F	Front Fascia Harness	SL	RR Lower Door Harness
G	Rear Fascia Harness	SO	RR Door Strut Harness
H	Main Body Harness	ST	RR Door Trim Harness
J	Instrument Panel Harness	SU	RR Upper Door Harness
K	Headliner	T	Tailgate Harness
L	Front End Module	V	Overhead Console Harness
P	RF Door Harness	W	Frunk Harness
PT	RF Door Trim Harness	X	Rear Subframe Harness
RL	LR Lower Door Harness		

Table 3: Wire Color Designators

BK	Black	OG	Orange
BN	Brown	RD	Red
BU	Blue	VT	Violet (Purple)
GN	Green	WH	White
GY	Gray	YE	Yellow

Striped wires are indicated by base-color code "/" then stripe color code.
 "BK/WH" indicates a black wire with a white stripe.

Table 4: Wire Type Designators

FLRY	Thin wall 105C rated, regular stranded PVC insulates cables [FLRY-A]
FLRB	Thin wall 105C rated, bunched conductor PVC insulates cables [FLRY-B]
MCIV	Thin wall 105C rated, compressed conductor PVC (halogen free) insulated cables
F91X	Thin wall 150C rated, cross-linked polyethylene, high flexible cable

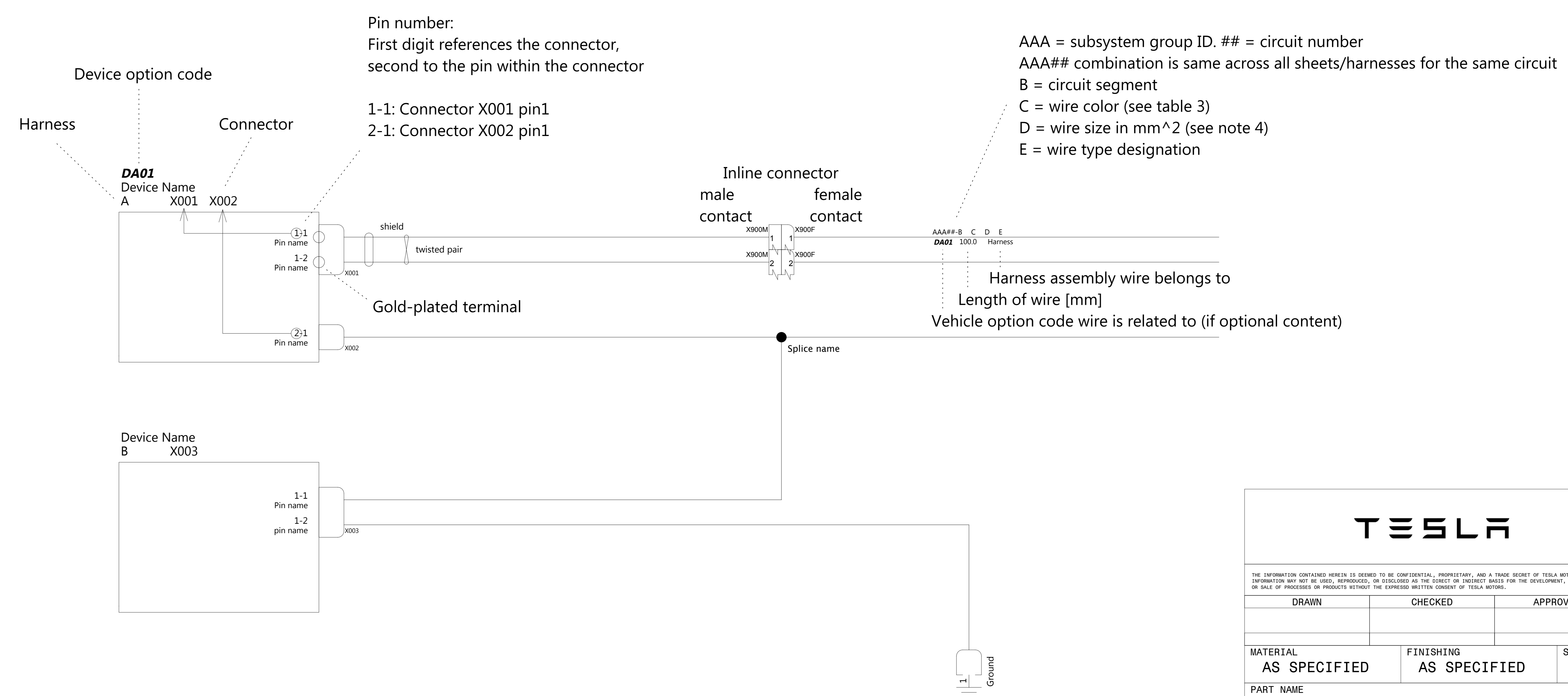
General Notes:

- Switches [Relays] are shown in their inactive [de-energized] state.
- Splices may be split across pages for visual clarity with respect to the function displayed on the particular page.
- Some connectors are split across multiple pages for clarity.
There is no overall reference in this document for the signals routed to a specific connector.
- Wire sizes are specified in mm² cross-sectional area (CSA) per SAE 1127/8
- Wire Specification: 60V, thin-wall PVC (ISO type or equivalent).
Default wire type to be rated 60VDC/25VAC and -40C to 105C operating temperature.
See DIN 13602 or ISO 6722 for detailed specifications.
- Unless otherwise specified at the device pins, terminal plating is to be Tin or Pre-Tin

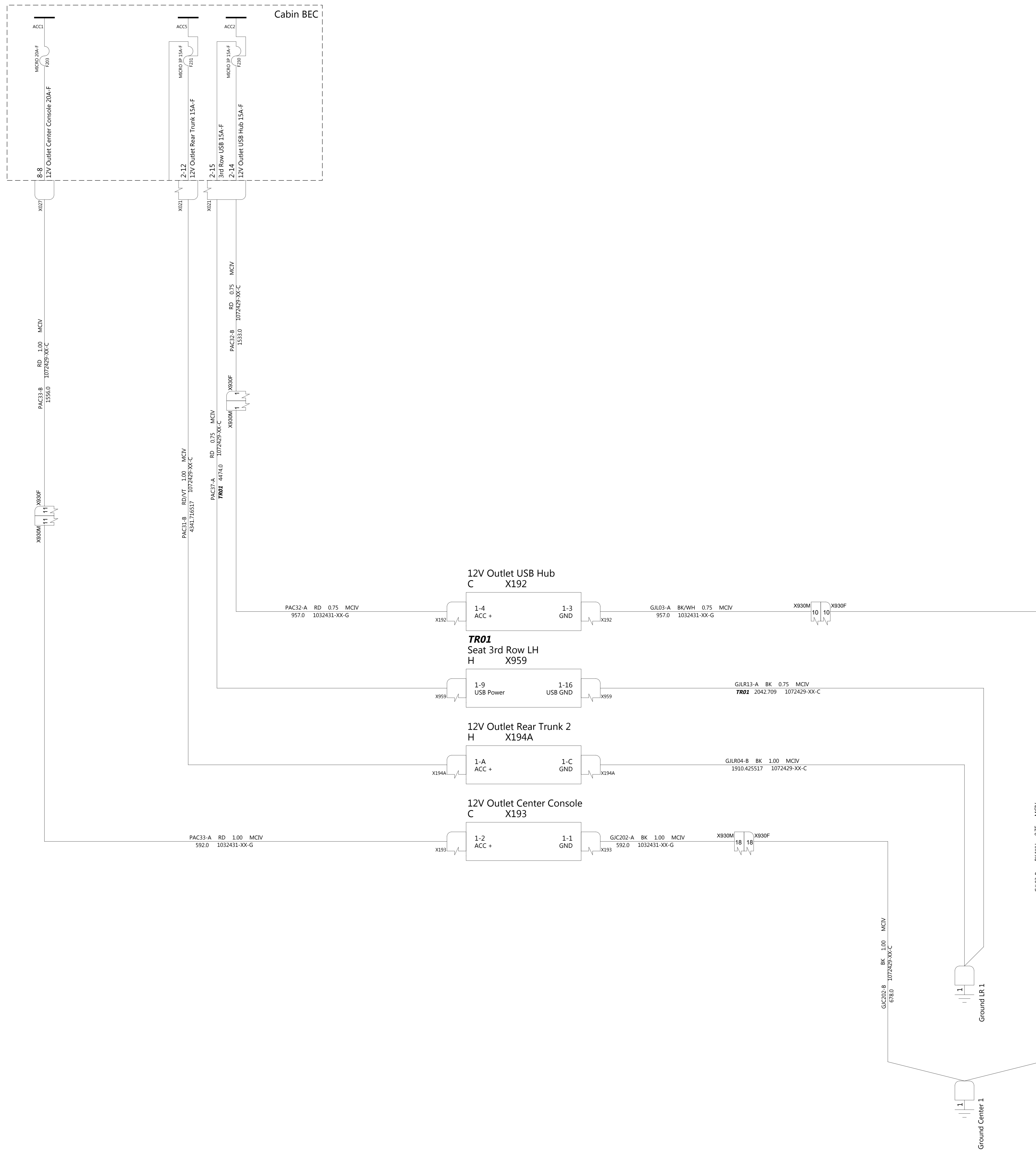
TERMINAL PLATING

- GOLD TERMINAL NECESSARY
- SILVER PLATING NECESSARY

- Inline connector gender specification is based on the terminal type.
Inline connectors with "M" suffix have male tab or pin terminals
Inline connectors with "F" suffix have female receptacle or socket terminals



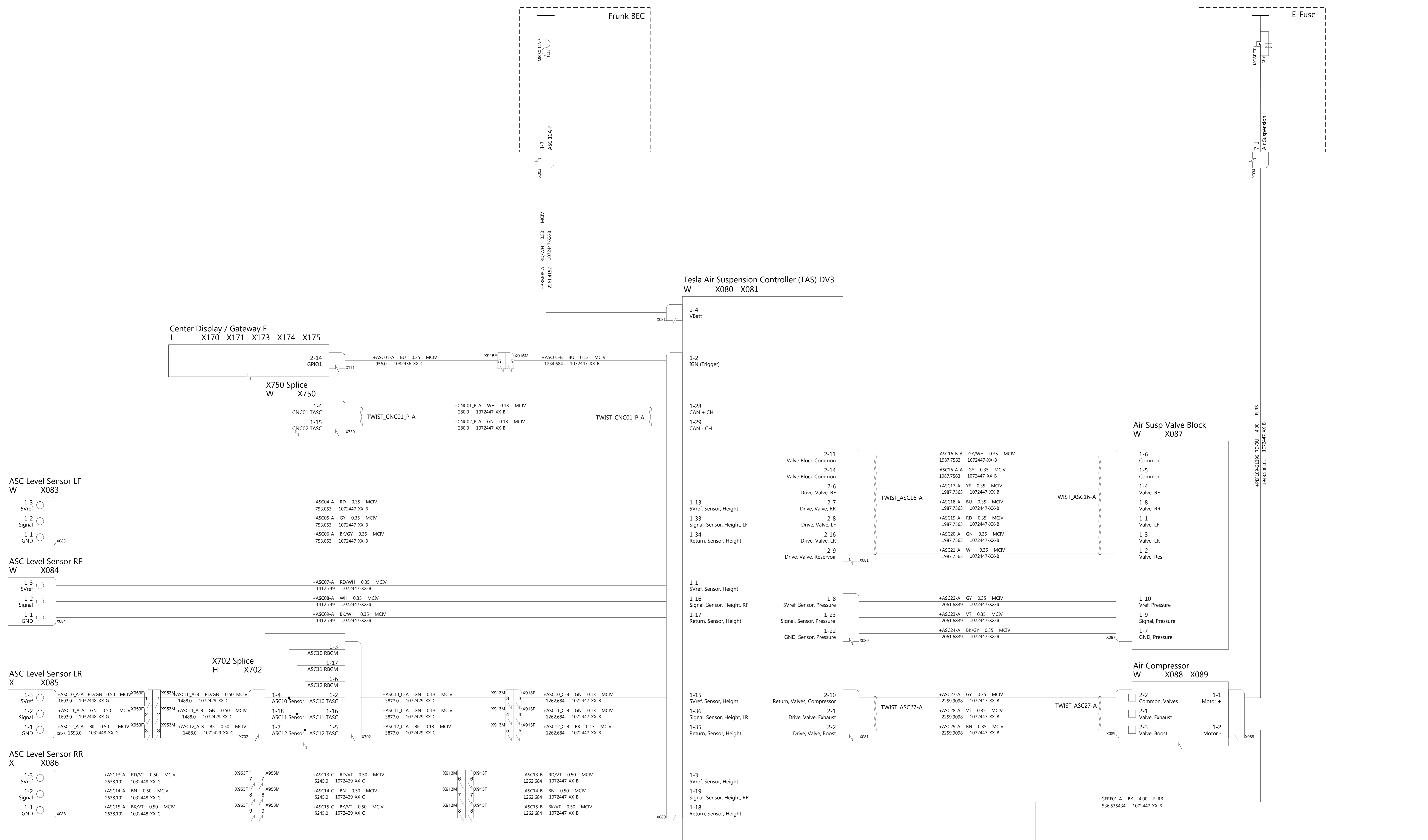
<small>THE INFORMATION CONTAINED HEREIN IS DEEMED TO BE CONFIDENTIAL, PROPRIETARY, AND A TRADE SECRET OF TESLA MOTORS. THIS INFORMATION MAY NOT BE USED, REPRODUCED, OR DISCLOSED TO THE PUBLIC OR TO ANY OTHER ENTITY FOR THE DEVELOPMENT, MANUFACTURE, OR SALE OF PROCESSES OR PRODUCTS WITHOUT THE EXPRESS WRITTEN CONSENT OF TESLA MOTORS.</small>			
DRAWN	CHECKED	APPROVED	
MATERIAL	FINISHING	SCALE	
AS SPECIFIED	AS SPECIFIED	NONE	
PART NAME			
Table of Contents - Model X JLV L HW 2.5			
PART NUMBER	REV	SHEET	SIZE
	6	1 OF 1	A0



TESLA

THE INFORMATION CONTAINED HEREIN IS DEEMED TO BE CONFIDENTIAL, PROPRIETARY, AND A TRADE SECRET OF TESLA MOTORS. THIS INFORMATION MAY NOT BE USED, REPRODUCED, OR DISCLOSED AS THE DIRECT OR INDIRECT BASIS FOR THE DEVELOPMENT, MANUFACTURE, OR SALE OF PROCESSES OR PRODUCTS WITHOUT THE EXPRESSED WRITTEN CONSENT OF TESLA MOTORS.

DRAWN	CHECKED	APPROVED
MATERIAL AS SPECIFIED	FINISHING AS SPECIFIED	SCALE NONE
PART NAME 12V Outlets		
PART NUMBER	REV	SHEET
	2	1 OF 1
		SIZE A0



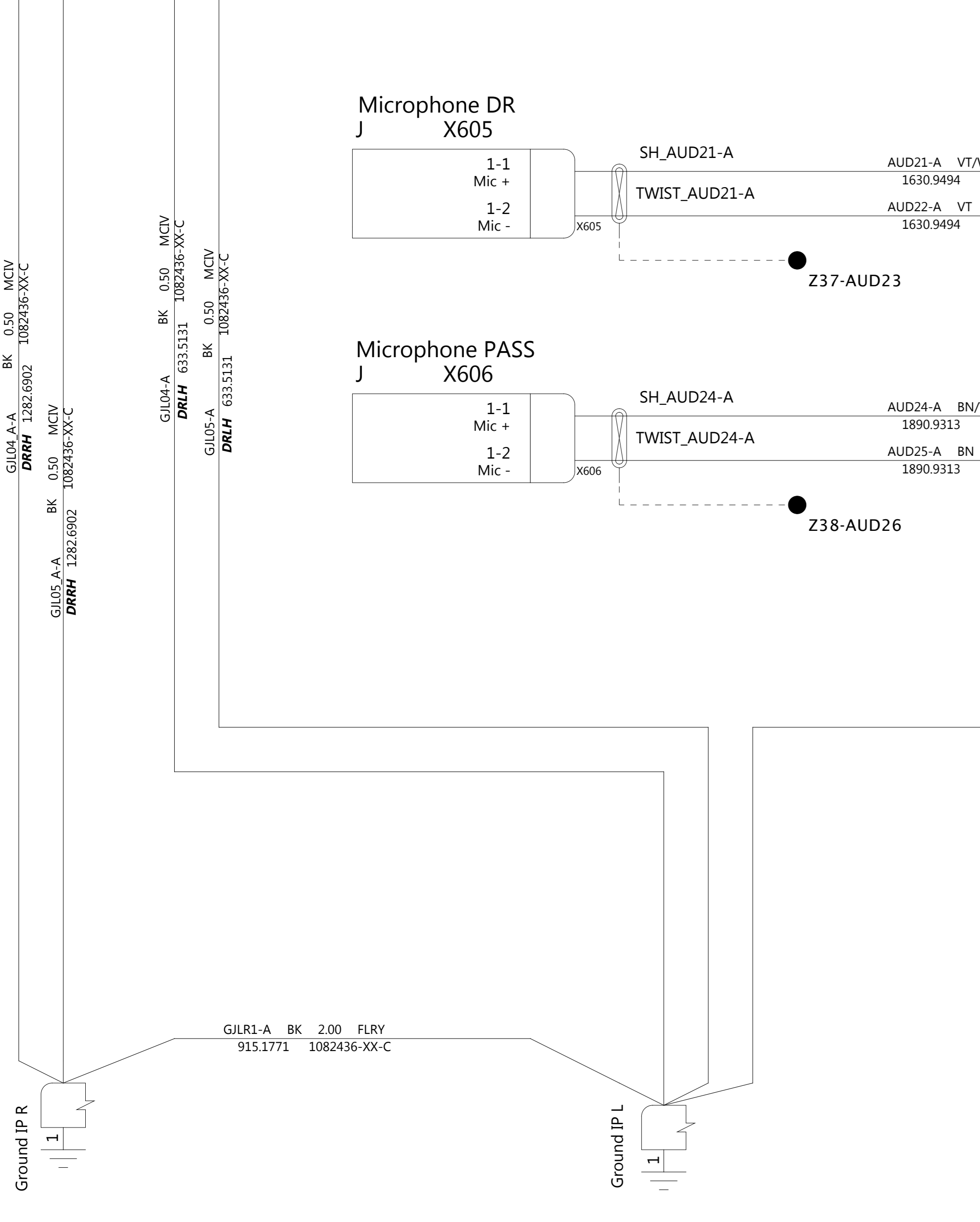
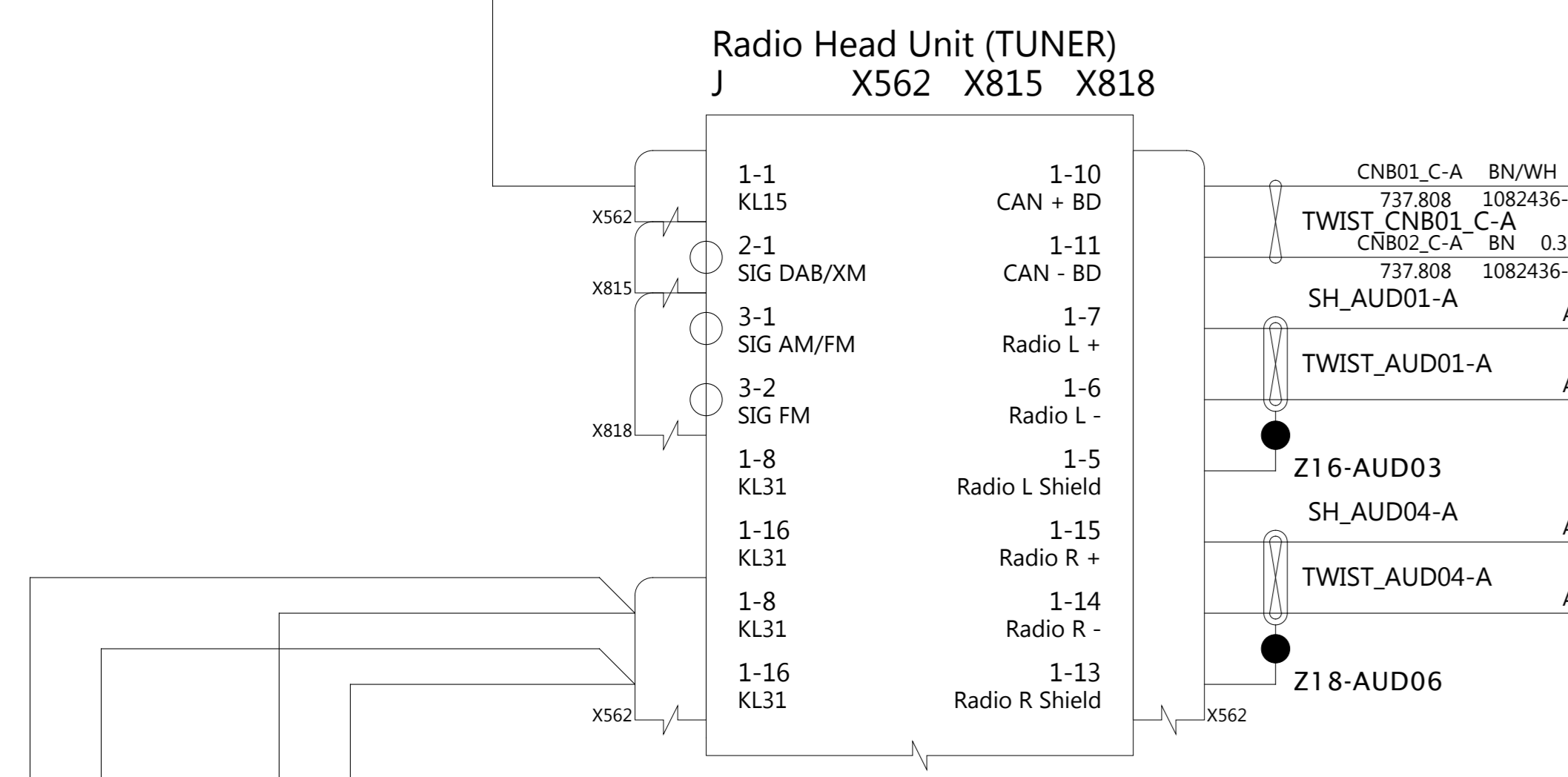
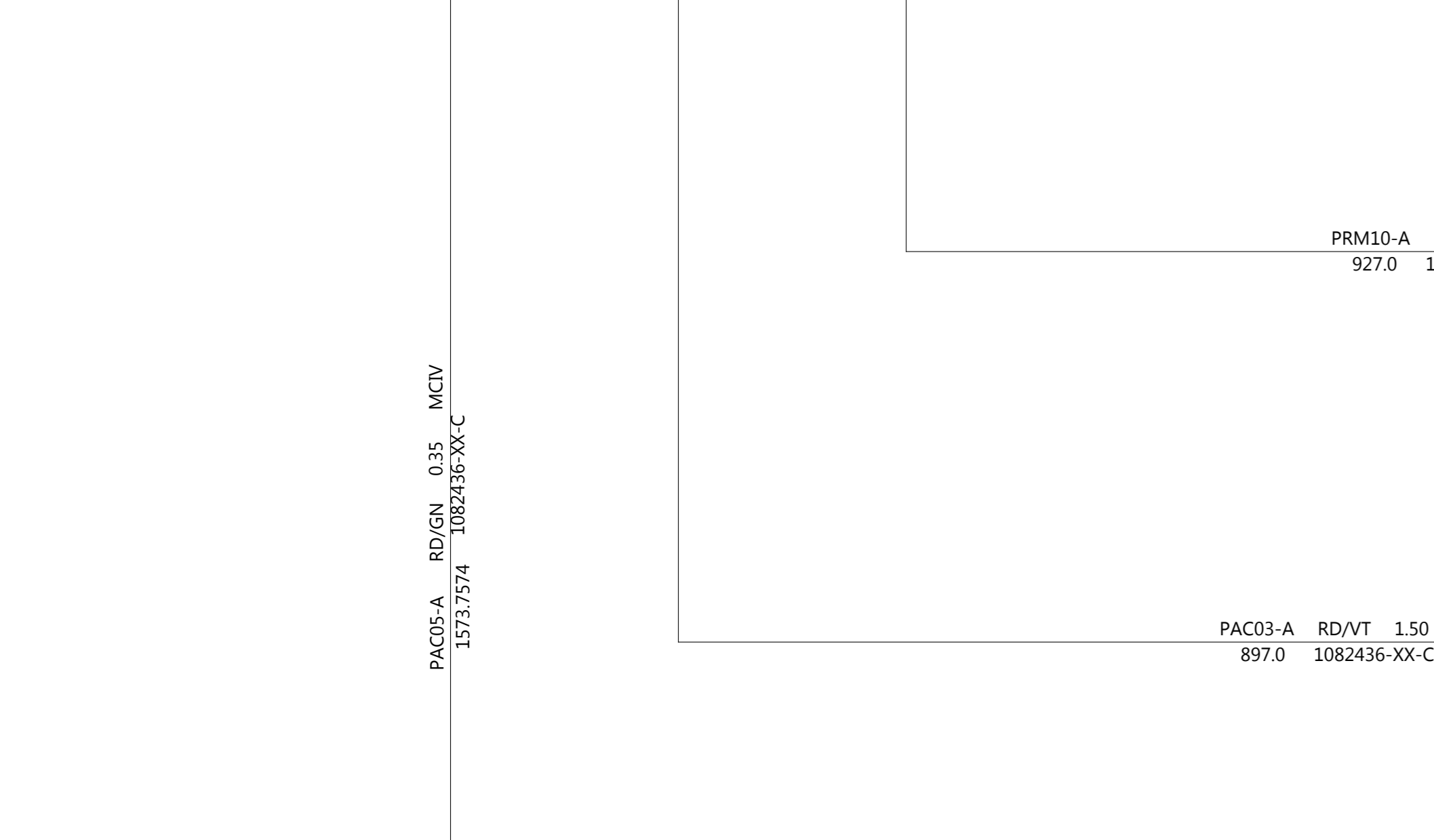
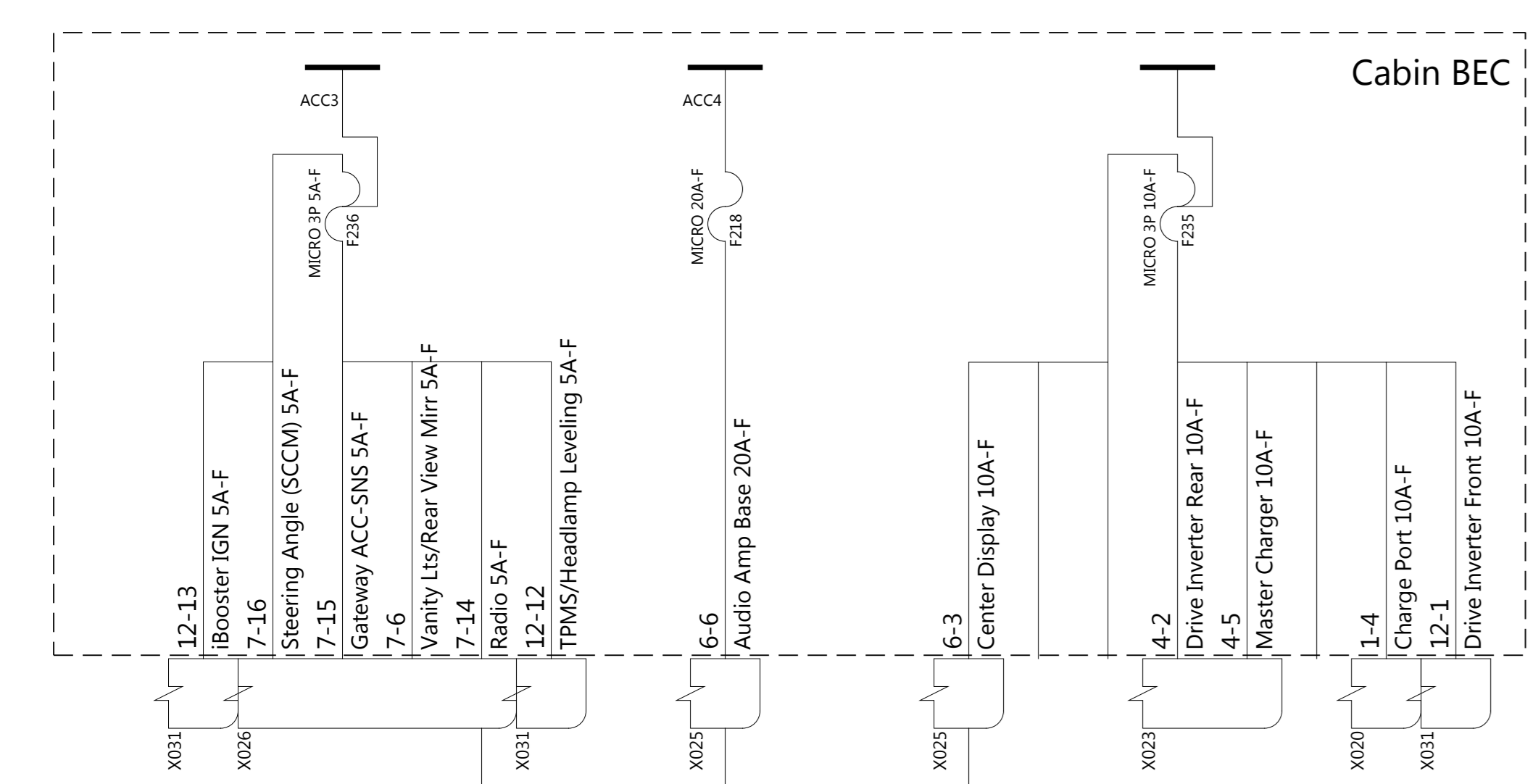
THE INFORMATION CONTAINED HEREIN IS DEEMED TO BE CONFIDENTIAL, PROPRIETARY, AND A TRADE SECRET OF TESLA MOTORS. THIS INFORMATION MAY NOT BE USED, REPRODUCED, OR DISCLOSED AS THE DIRECT OR INDIRECT BASIS FOR THE DEVELOPMENT, MANUFACTURE, OR SALE OF PROCESSES OR PRODUCTS WITHOUT THE EXPRESSED WRITTEN CONSENT OF TESLA MOTORS.

DRAWN	CHECKED	APPROVED

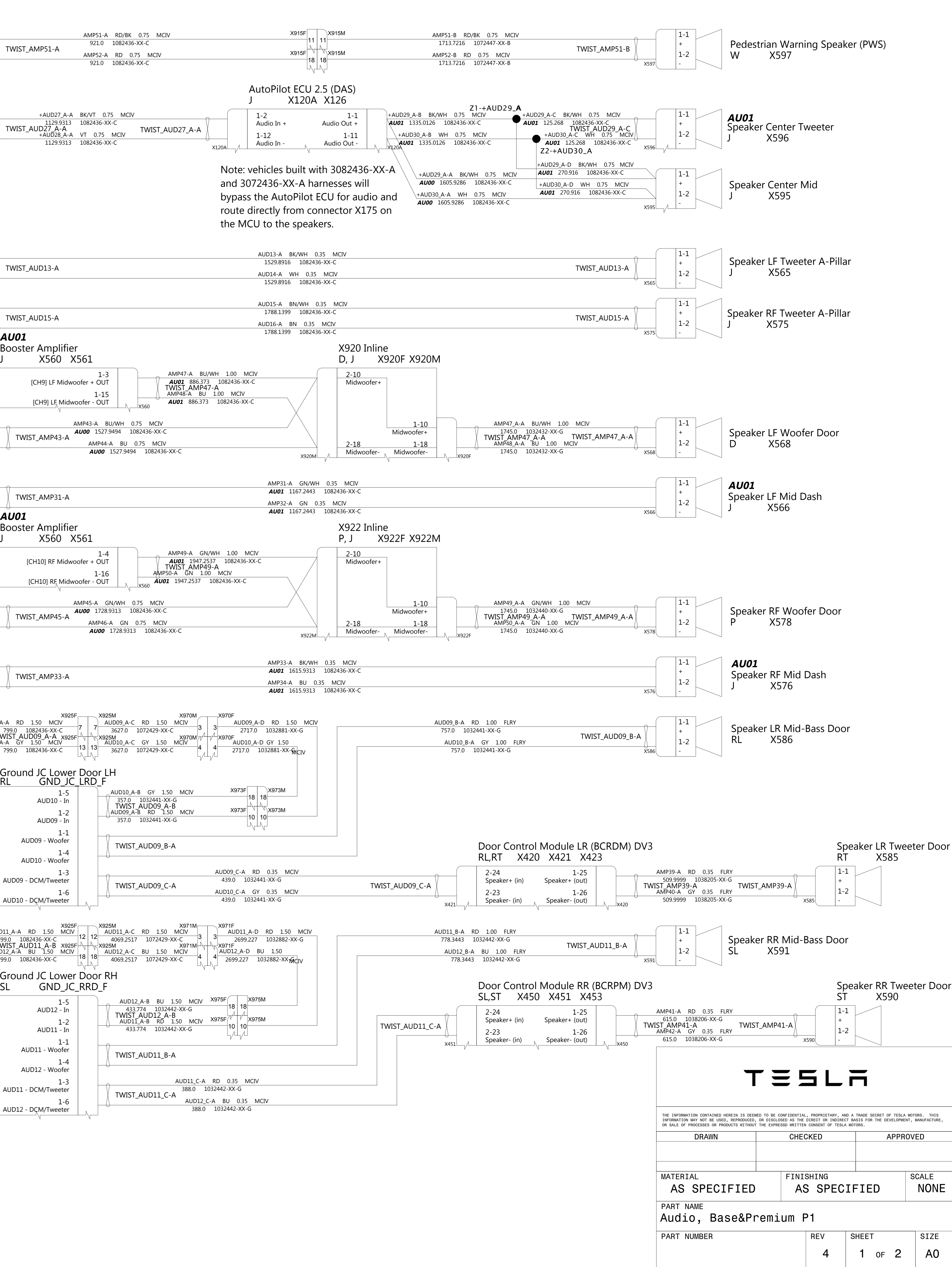
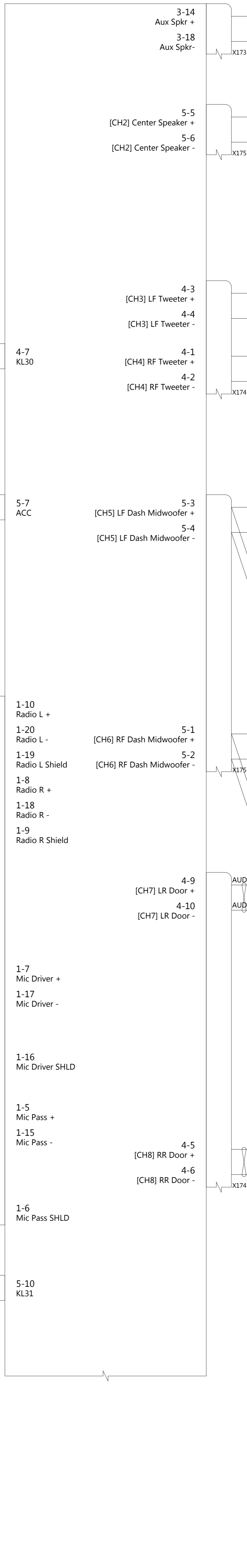
MATERIAL	FINISHING	SCALE
AS SPECIFIED	AS SPECIFIED	NONE

PART NAME
Air Suspension - TASC

PART NUMBER	REV	SHEET	SIZE
	3	1 OF 1	A0

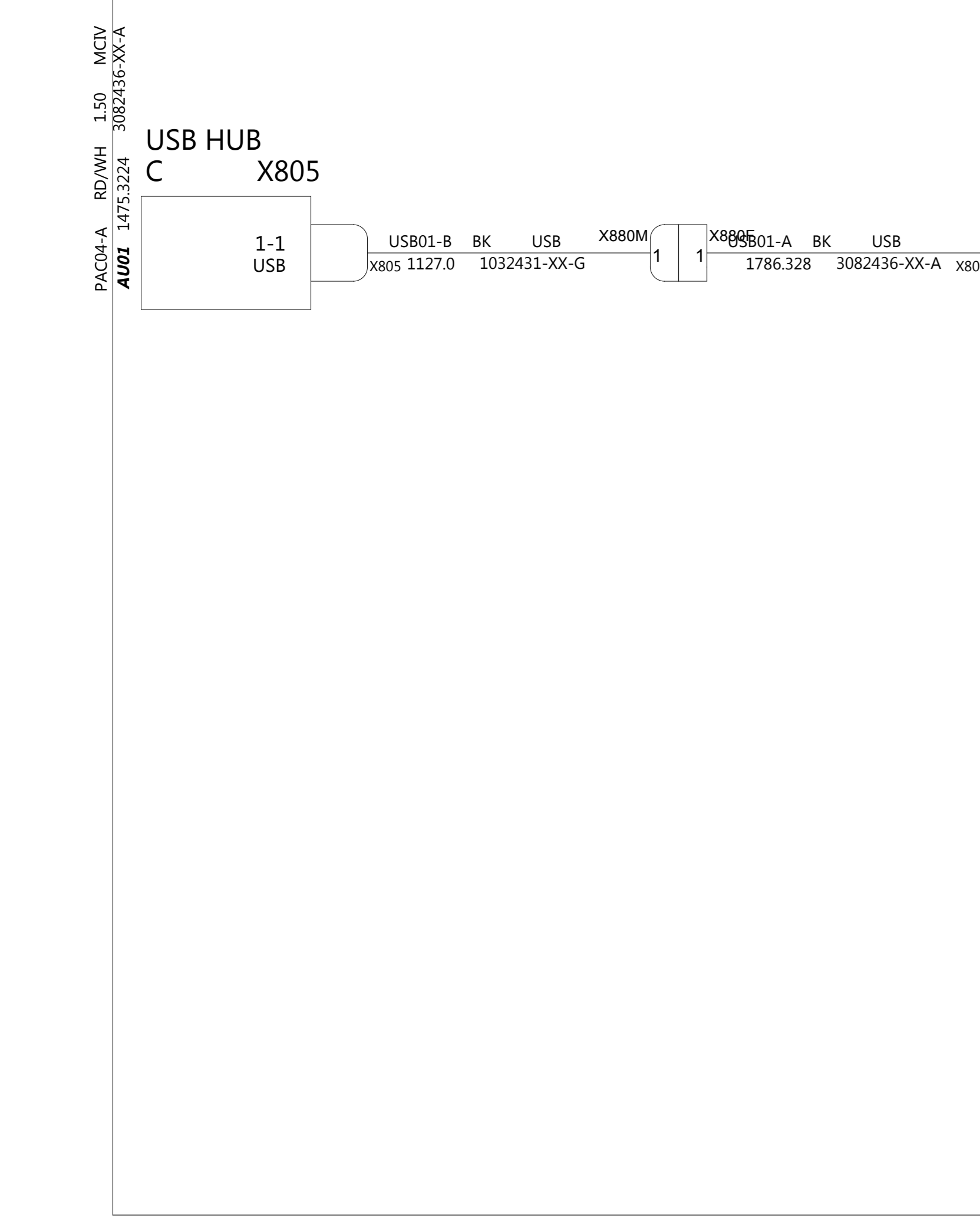
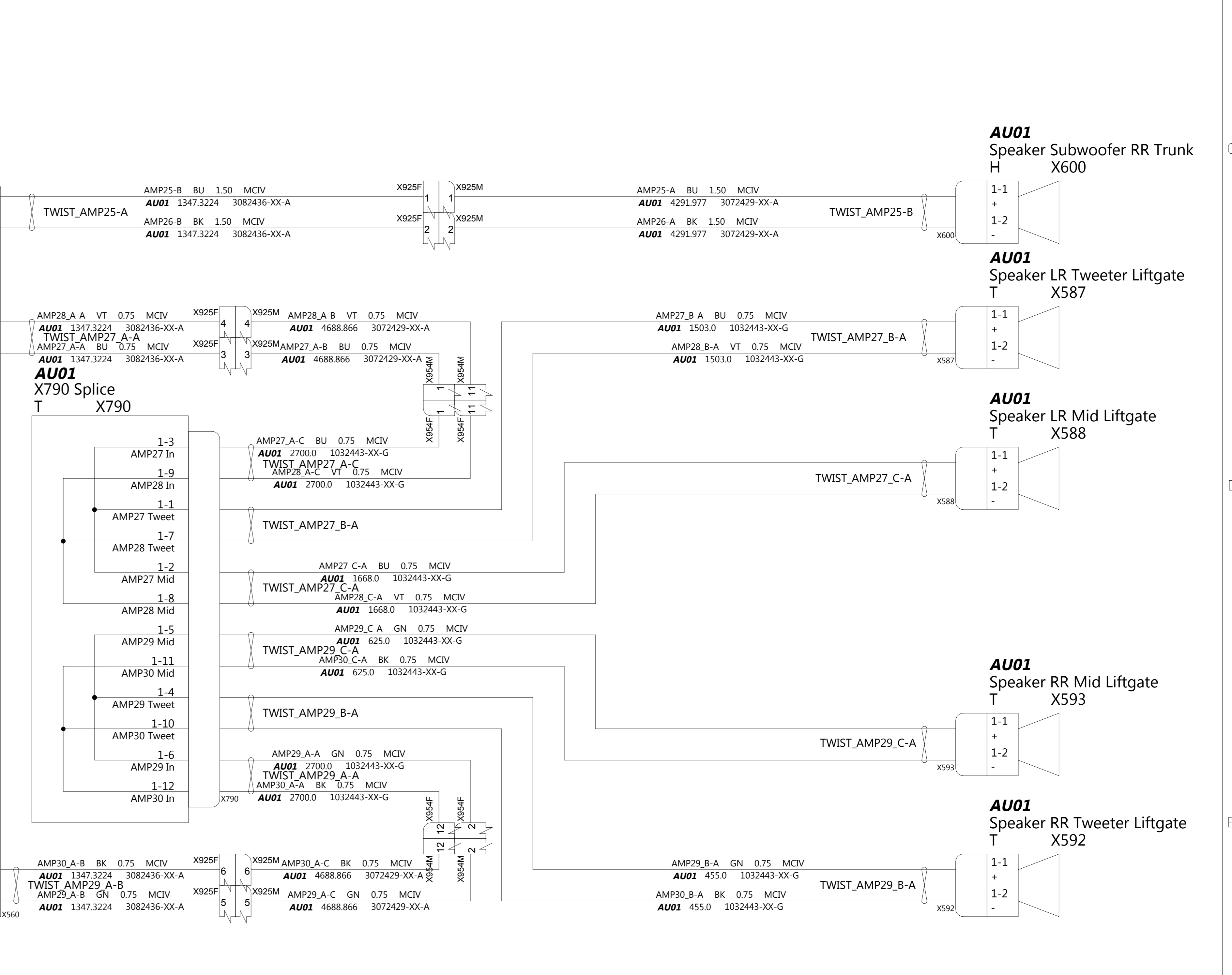
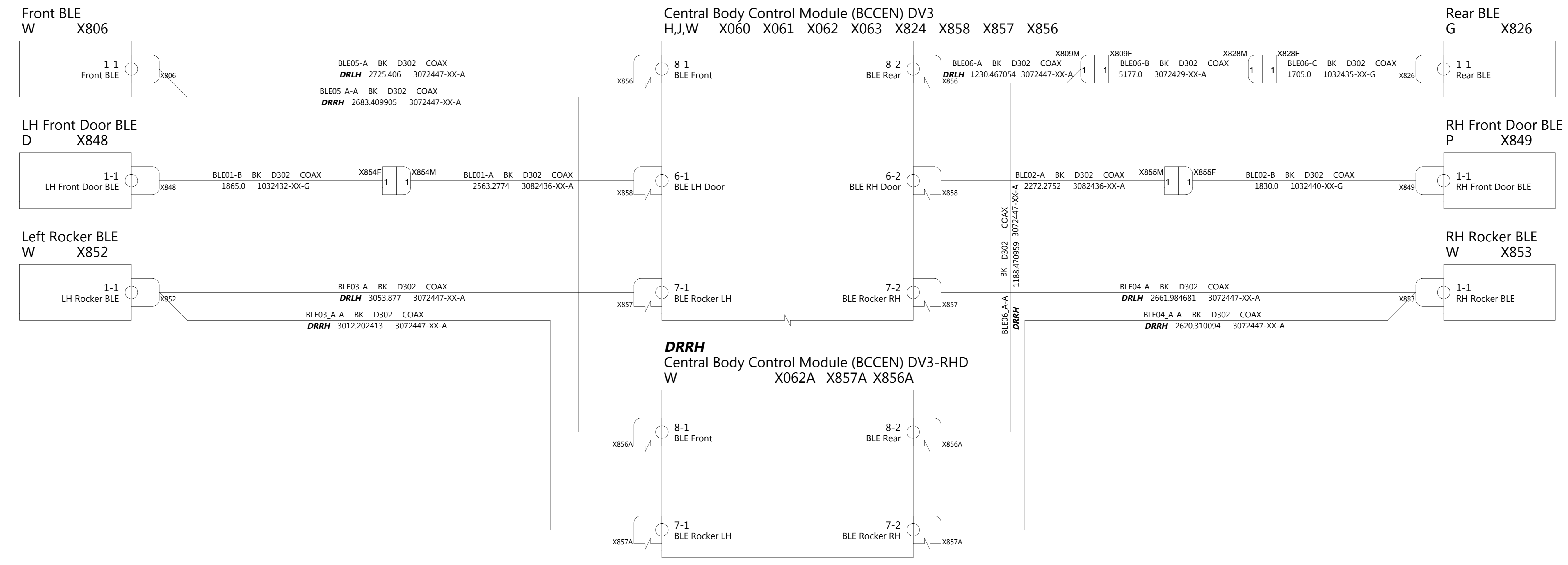
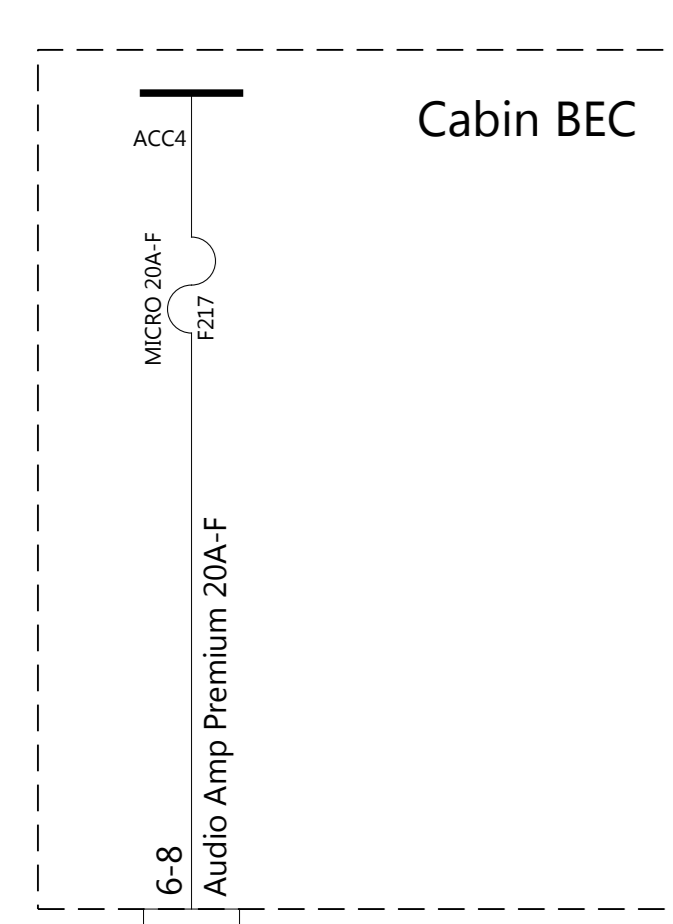


Center Display / Gateway E
X170 X171 X173 X174 X175



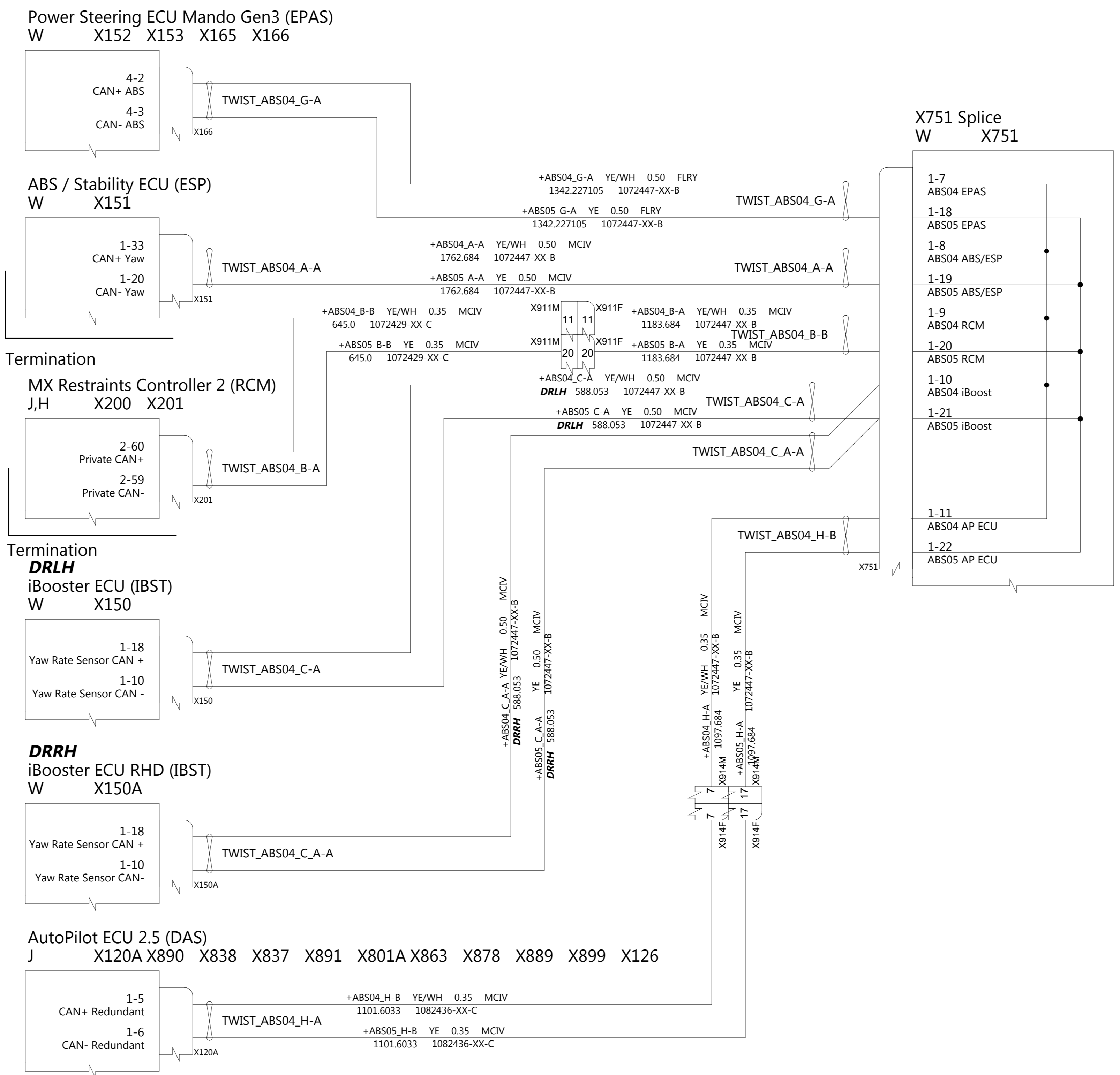
THE INFORMATION CONTAINED HEREIN IS DEEMED TO BE CONFIDENTIAL, PROPRIETARY, AND A TRADE SECRET OF TESLA MOTORS. THIS INFORMATION MAY NOT BE USED, REPRODUCED, OR DISCLOSED AS THE DIRECT OR INDIRECT BASIS FOR THE DEVELOPMENT, MANUFACTURE, OR SALE OF PRODUCTS OR SERVICES WITHOUT THE EXPRESSED WRITTEN CONSENT OF TESLA MOTORS.

DRAWN	CHECKED	APPROVED
MATERIAL AS SPECIFIED	FINISHING AS SPECIFIED	SCALE NONE
PART NAME Audio, Base&Premium P1		
PART NUMBER	REV	SHEET
	4	1 OF 2
		SIZE A0



THE INFORMATION CONTAINED HEREIN IS DEEMED TO BE CONFIDENTIAL, PROPRIETARY, AND A TRADE SECRET OF TESLA MOTORS. THIS INFORMATION MAY NOT BE USED, REPRODUCED, OR DISCLOSED AS THE OBJECT OR INSTRUMENT BASIS FOR THE DEVELOPMENT, MANUFACTURE, OR SALE OF PROCESSES OR PRODUCTS WITHOUT THE EXPRESSED WRITTEN CONSENT OF TESLA MOTORS.

DRAWN	CHECKED	APPROVED
MATERIAL AS SPECIFIED	FINISHING AS SPECIFIED	SCALE NONE
PART NAME Audio, Base&Premium P2		
PART NUMBER	REV	SHEET
	5	2 OF 2
		SIZE A0



TESLA

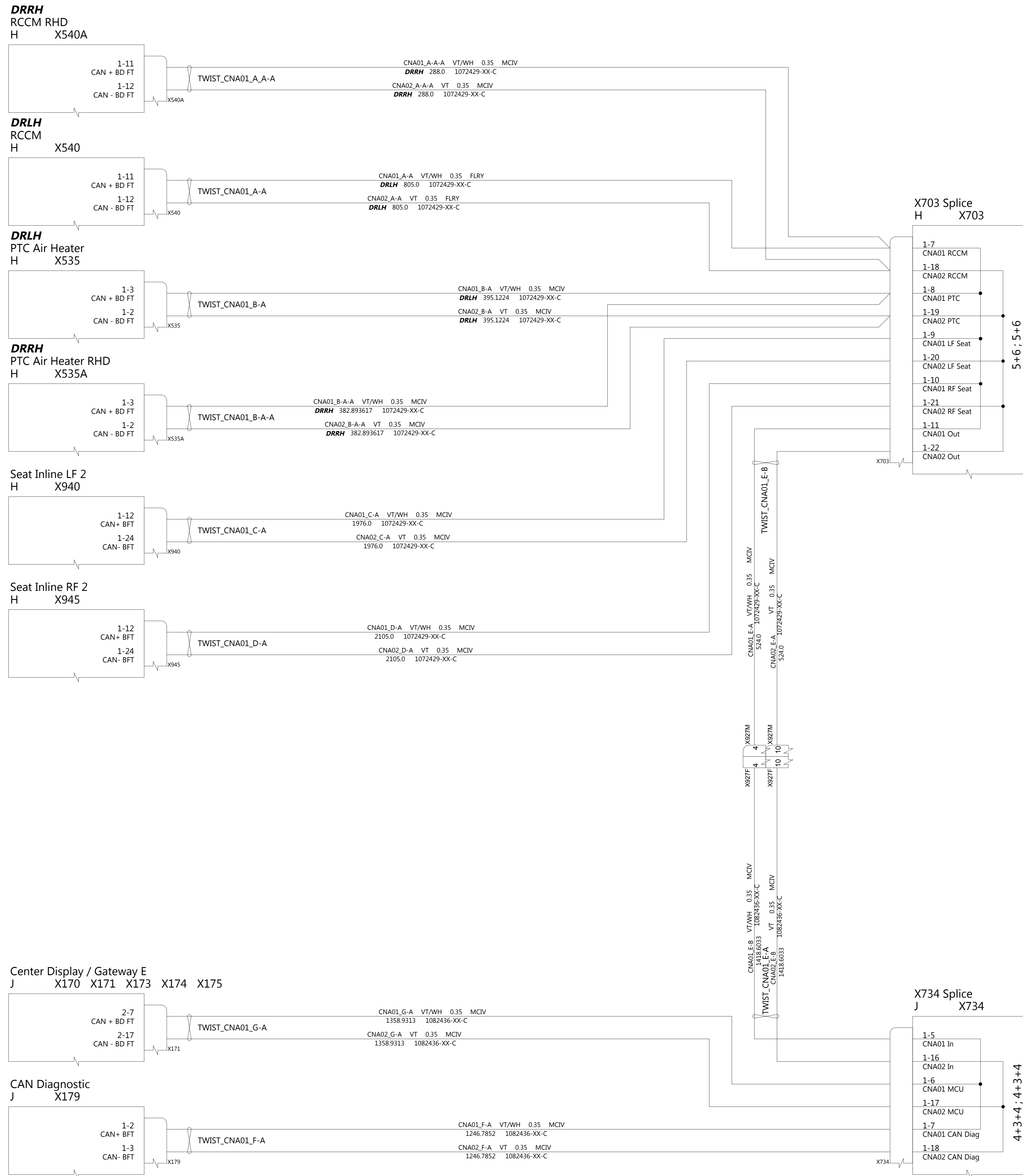
THE INFORMATION CONTAINED HEREIN IS DEEMED TO BE CONFIDENTIAL, PROPRIETARY, AND A TRADE SECRET OF TESLA MOTORS. THIS INFORMATION MAY NOT BE USED, REPRODUCED, OR DISCLOSED AS THE DIRECT OR INDIRECT BASIS FOR THE DEVELOPMENT, MANUFACTURE, OR SALE OF PRODUCTS OR SERVICES WITHOUT THE EXPRESSED WRITTEN CONSENT OF TESLA MOTORS.

DRAWN	CHECKED	APPROVED
-------	---------	----------

MATERIAL AS SPECIFIED	FINISHING AS SPECIFIED	SCALE NONE
--------------------------	---------------------------	---------------

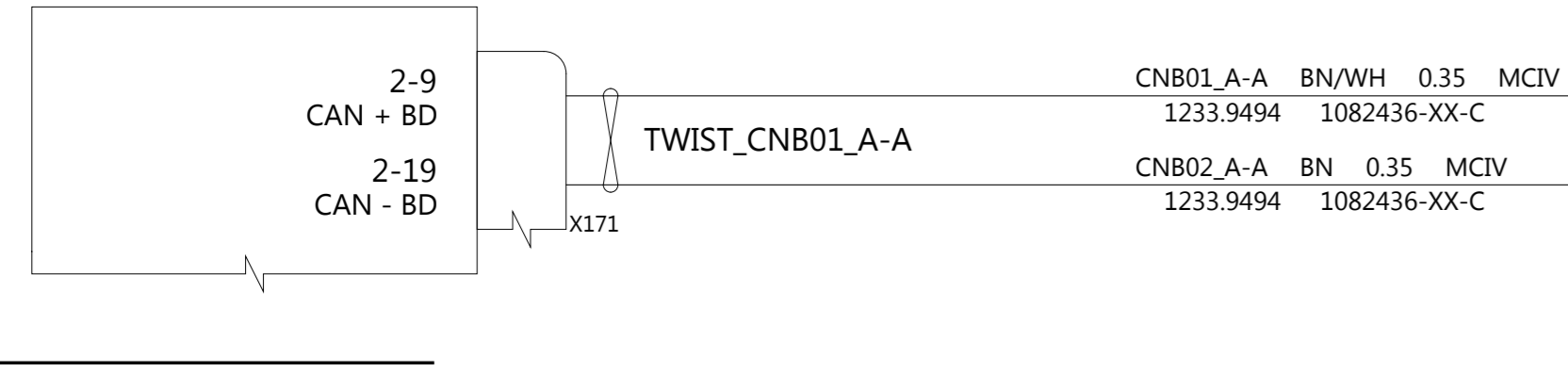
PART NAME
CAN ABS

PART NUMBER	REV	SHEET	SIZE
	2	1 OF 1	A0



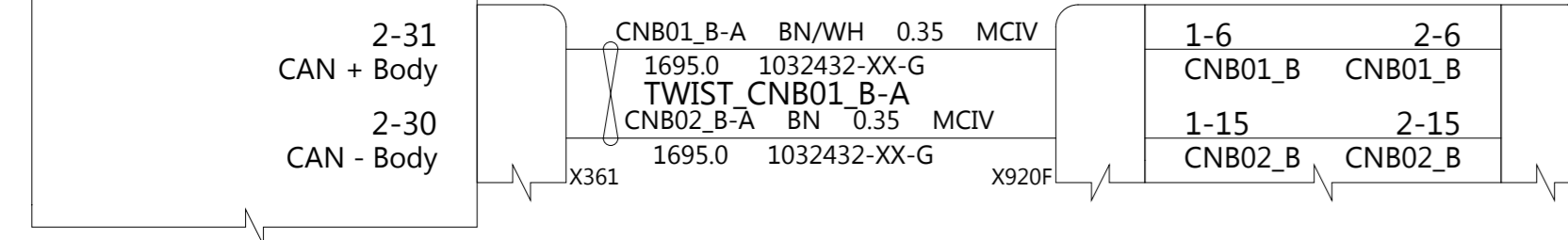
TESLA			
THE INFORMATION CONTAINED HEREIN IS DEEMED TO BE CONFIDENTIAL, PROPRIETARY, AND A TRADE SECRET OF TESLA MOTORS. THIS INFORMATION MAY NOT BE USED, REPRODUCED, OR DISCLOSED AS THE DIRECT OR INDIRECT BASIS FOR THE DEVELOPMENT, MANUFACTURE, OR SALE OF PROCESSES OR PRODUCTS WITHOUT THE EXPRESS WRITTEN CONSENT OF TESLA MOTORS.			
DRAWN	CHECKED	APPROVED	
MATERIAL AS SPECIFIED		FINISHING AS SPECIFIED	SCALE NONE
PART NAME CAN Body FT			
PART NUMBER	REV 1	SHEET 1 OF 1	SIZE AO

Center Display / Gateway E
J X170 X171 X173 X174 X175

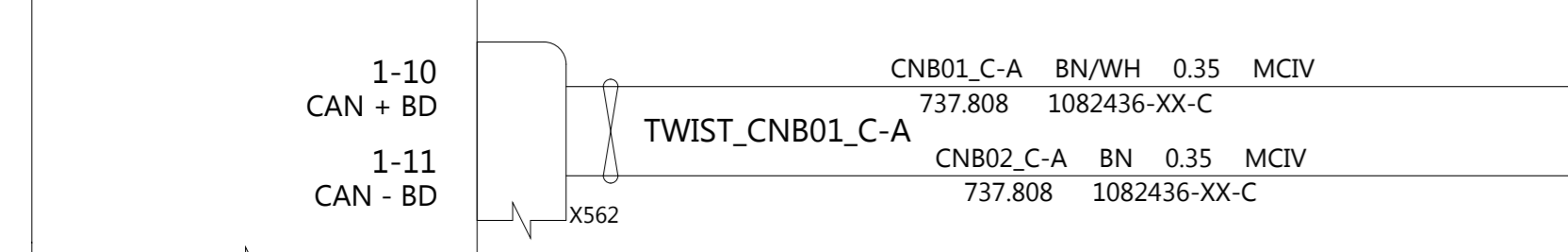


Termination

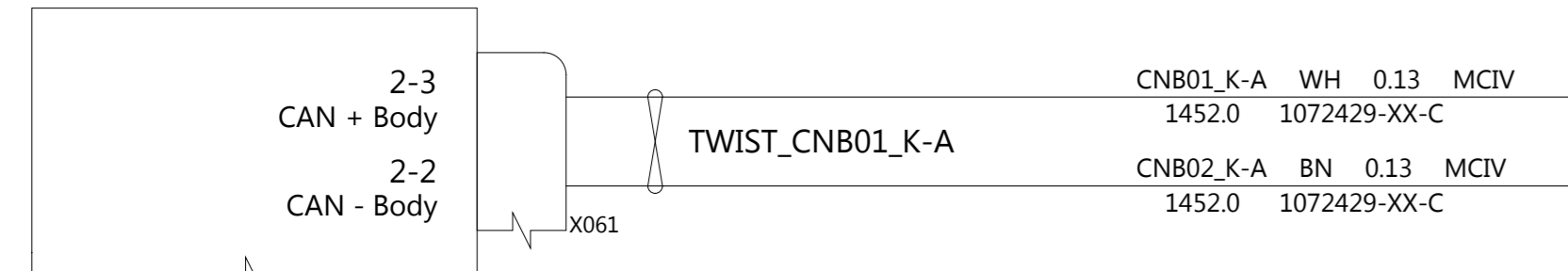
Door Control Module LF (BCFDM) DV3
D X360 X361 X362 X363



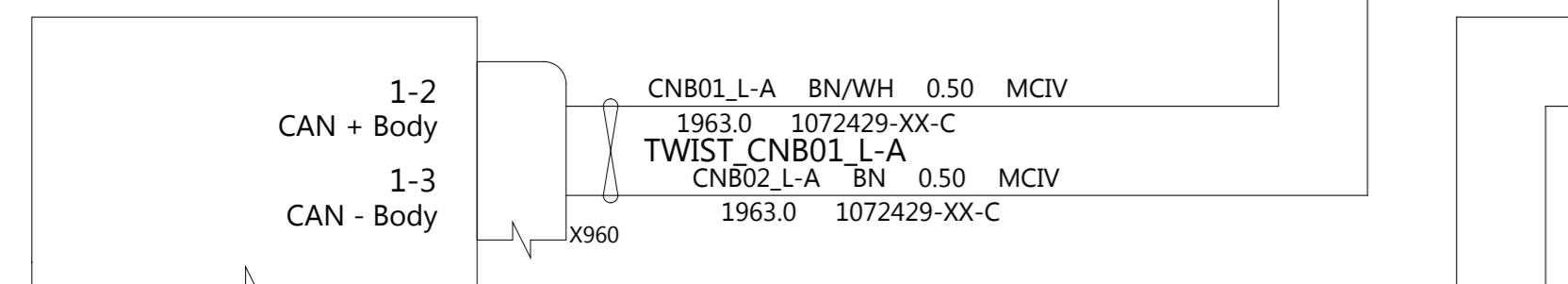
Radio Head Unit (TUNER)
J X562



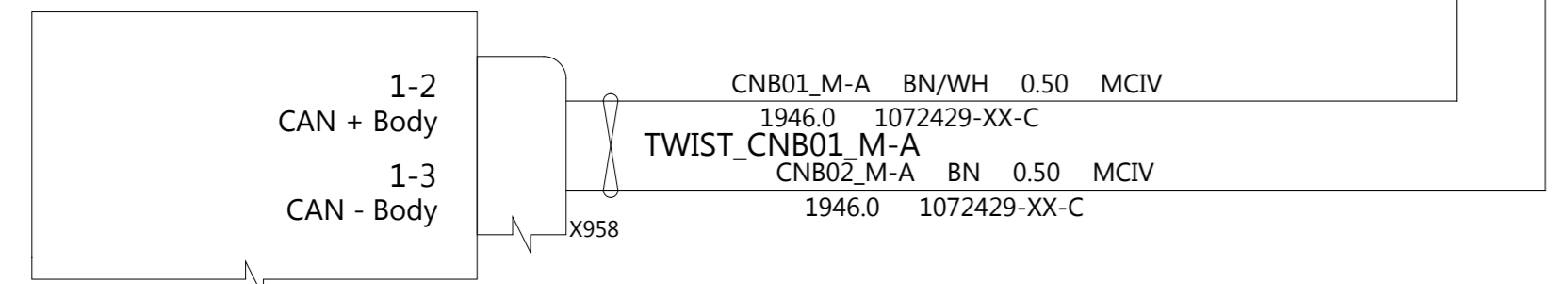
Central Body Control Module (BCCEN) DV3
H,J,W X060 X061 X062 X063 X824 X858



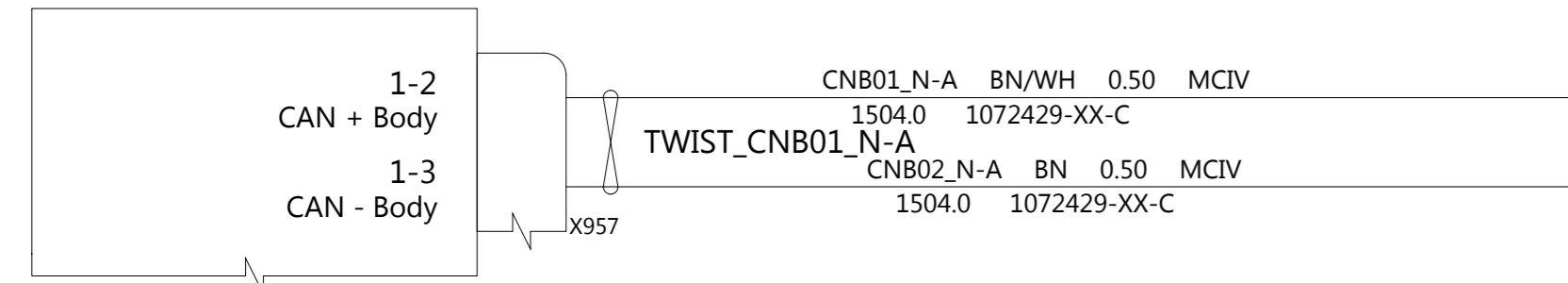
Seat 2nd Row CEN
H X960



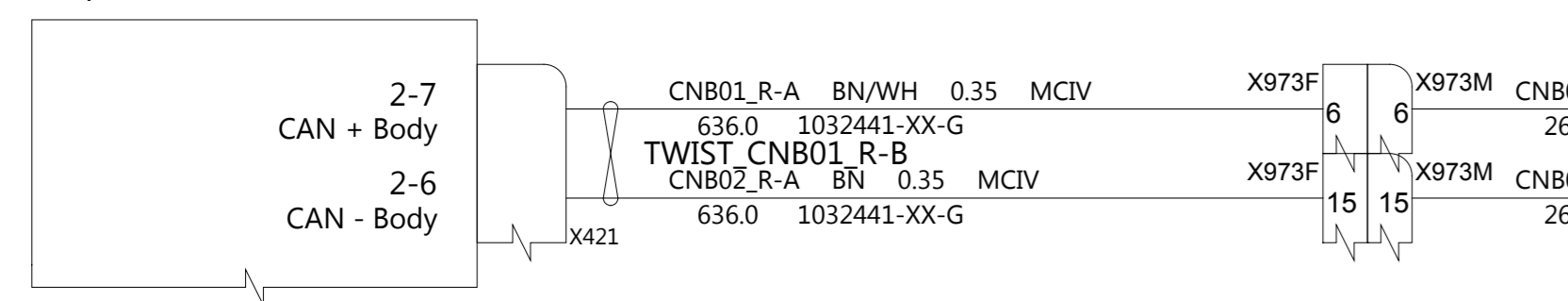
Seat 2nd Row RH
H X958



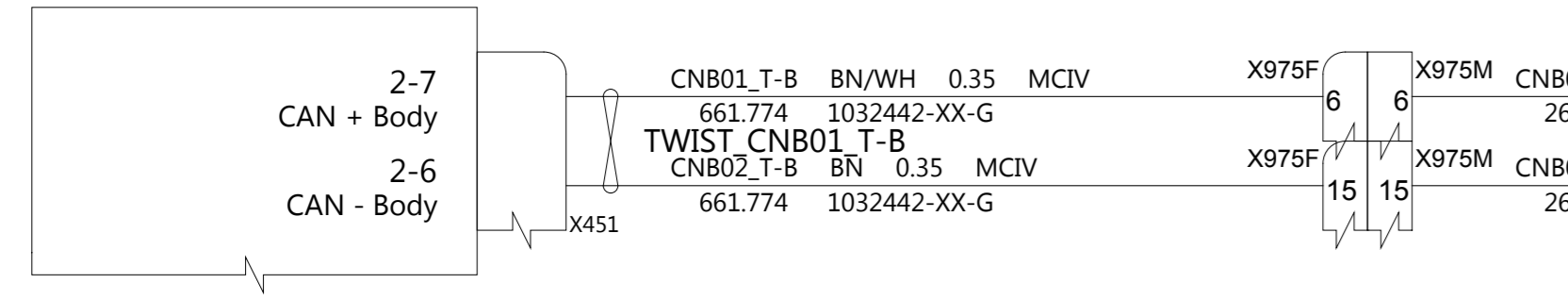
Seat 2nd Row LH
H X957



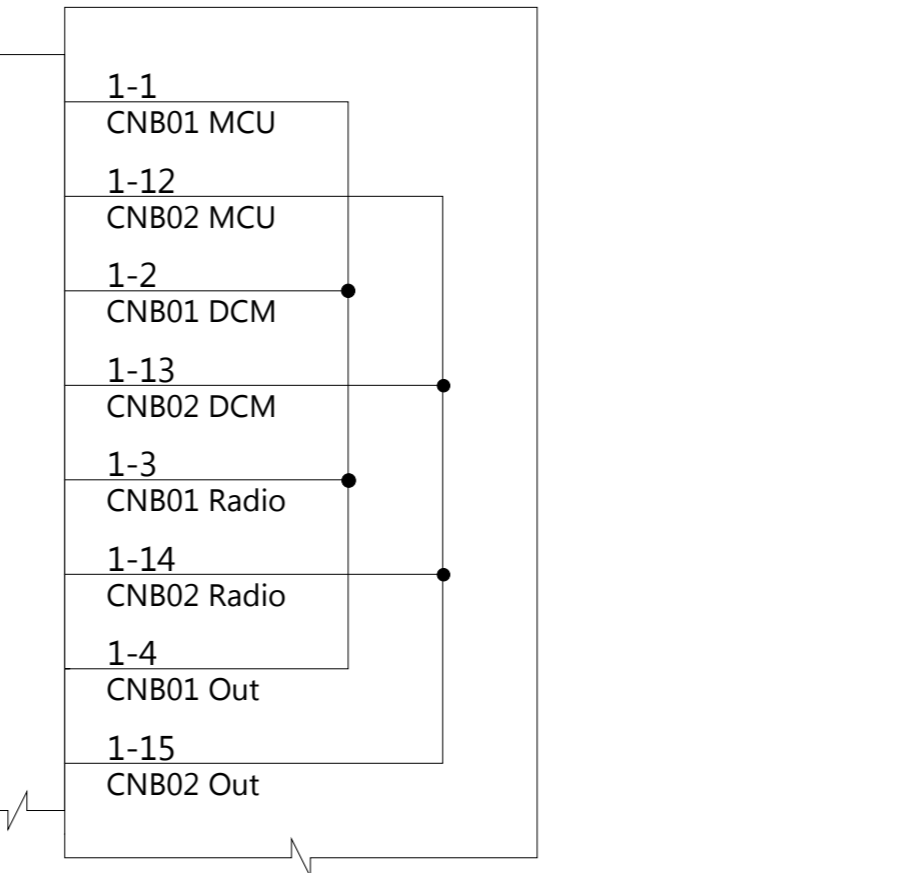
Door Control Module LR (BCRDM) DV3
RL,RT X420 X421 X423



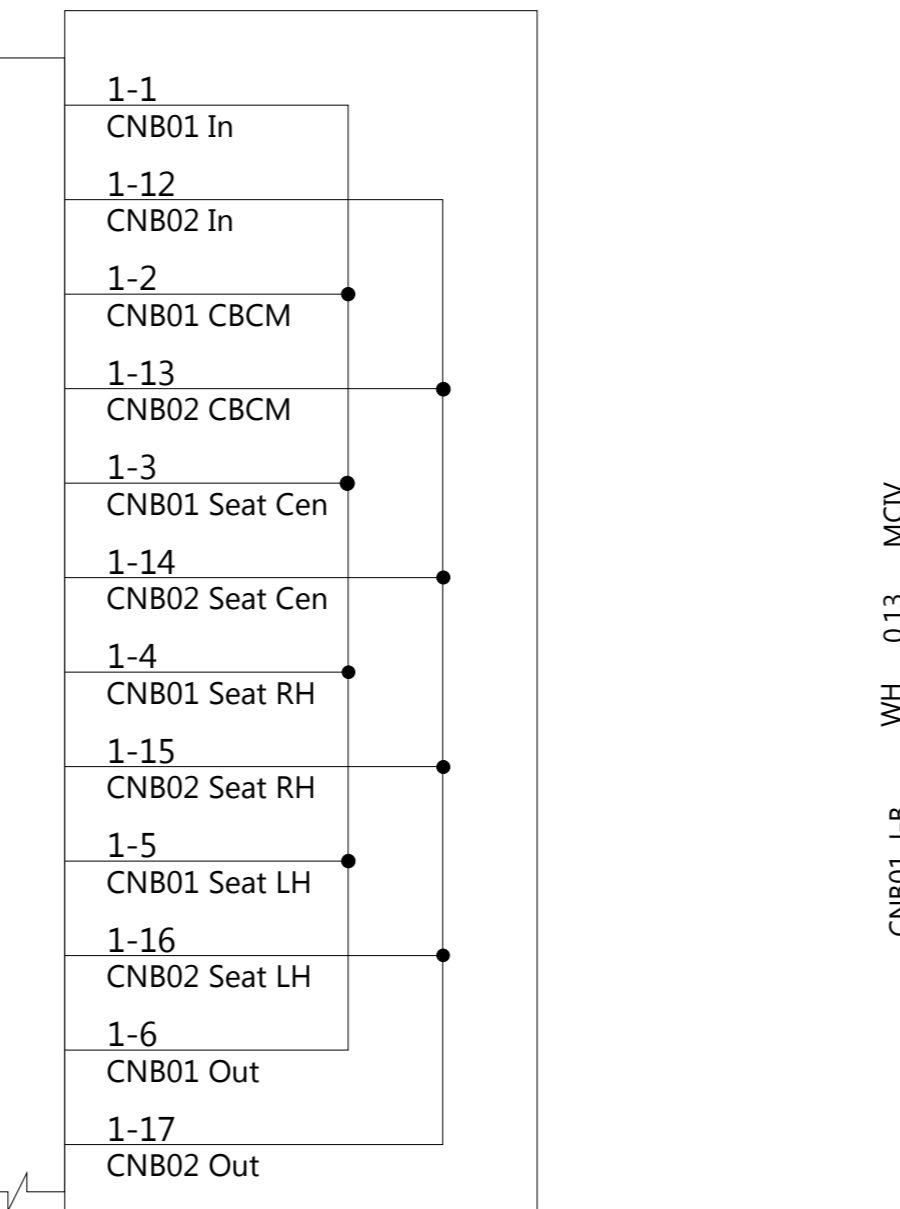
Door Control Module RR (BCRPM) DV3
SL,ST X450 X451 X453



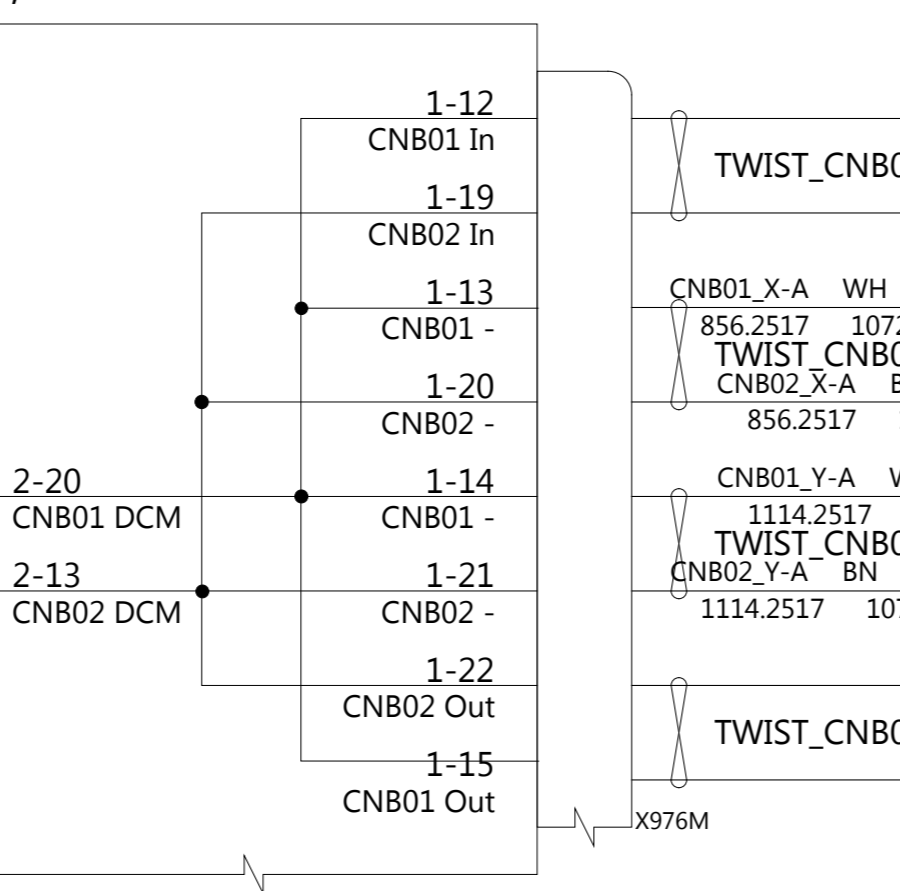
X728 Splice
J X728



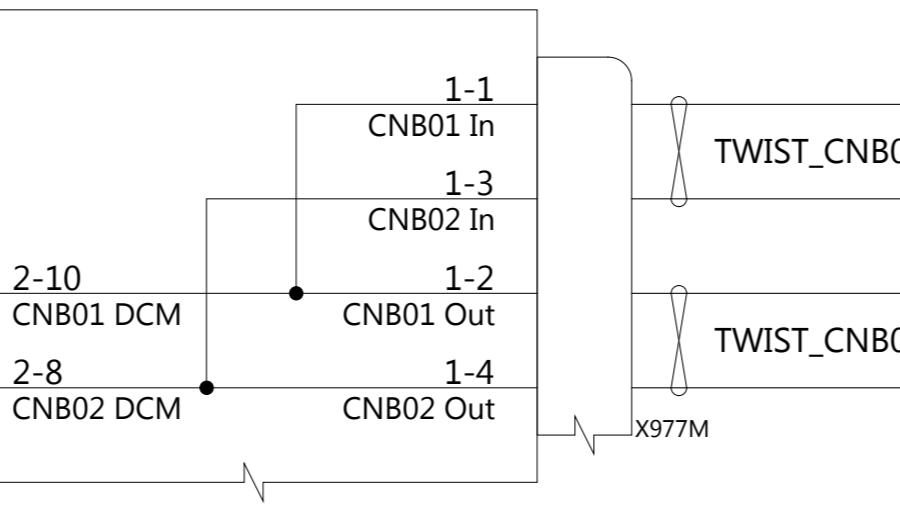
X708 Splice
H X708



X976 Inline Splice
H, RU X976MX976F



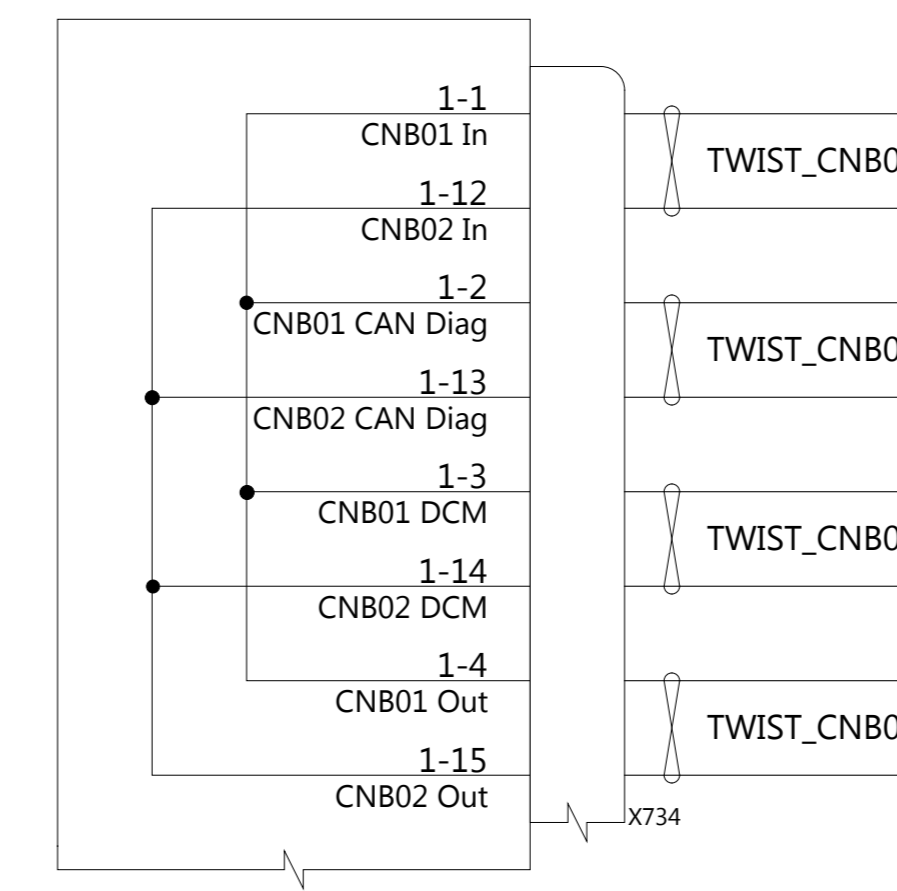
X977 Inline Splice
H, SU X977MX977F



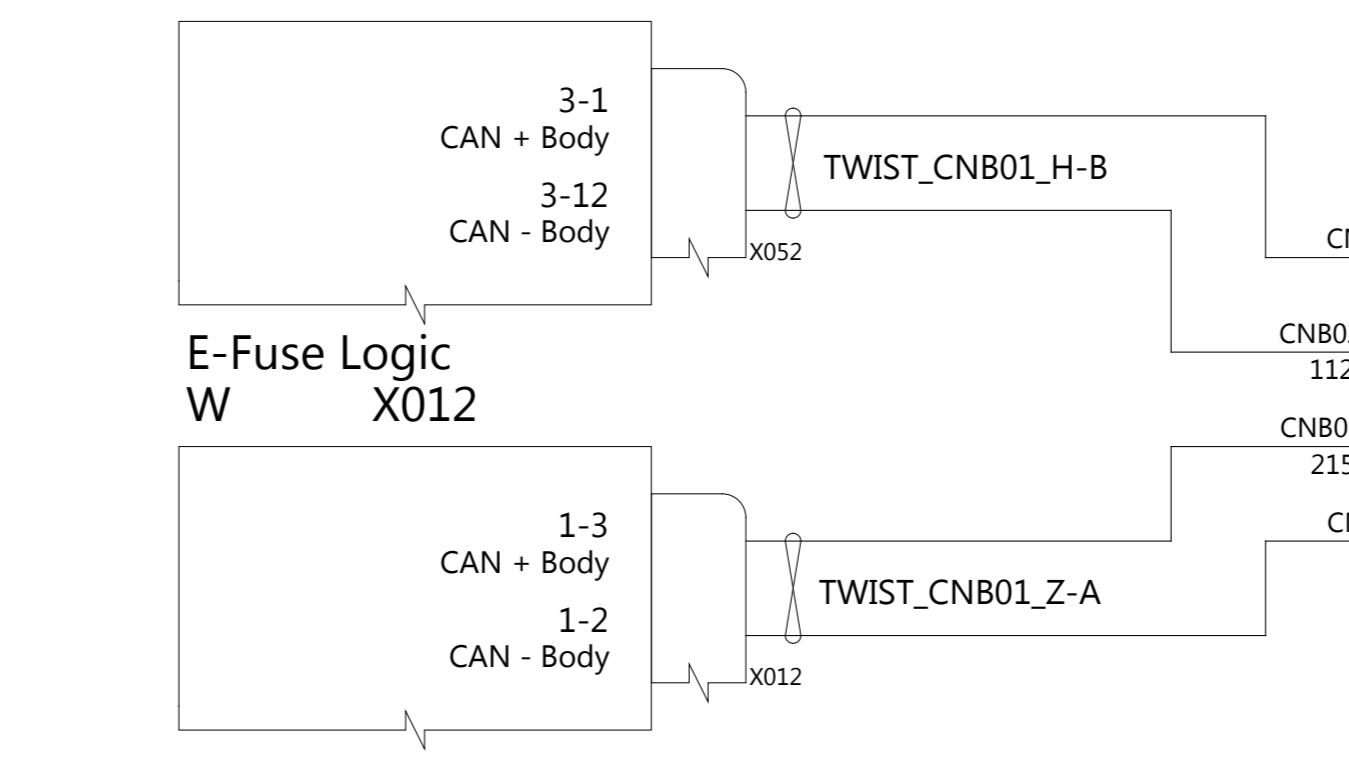
CNB02_D-A BN 0.13 MCV
1666.8807 1082436-XX-C

CNB02_D-A WH 0.13 MCV
1666.8807 1082436-XX-C

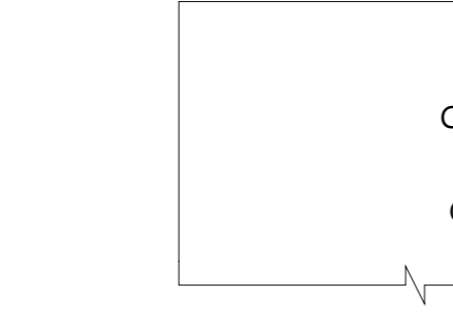
X734 Splice
J X734



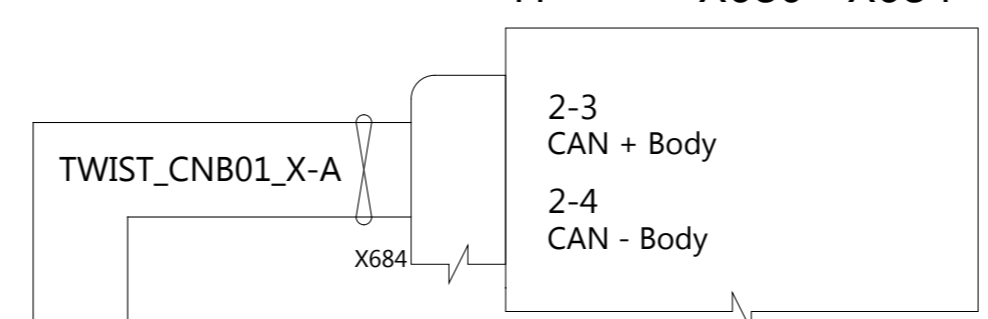
Front Body Control Module (BCFRONT) DV3
W X050 X051 X052



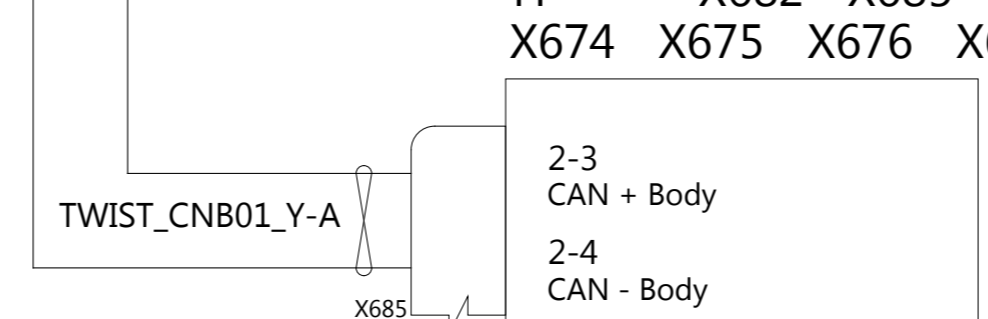
E-Fuse Logic
W X012



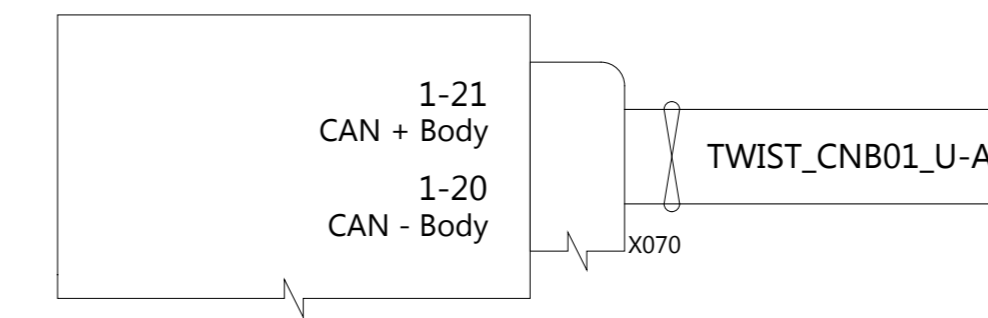
Falcon Controller Front
H X680 X684 X670 X671 X672 X673



Falcon Controller Rear
H X682 X685 X674 X675 X676 X677

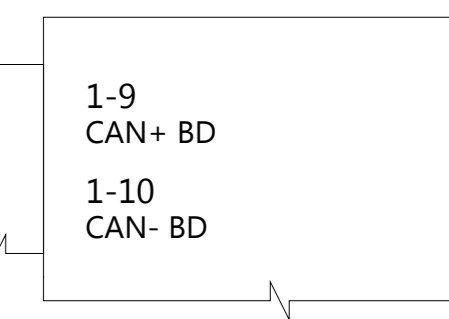


Rear Body Control Module (BCREAR) DV3
H X070 X071 X072 X073 X078

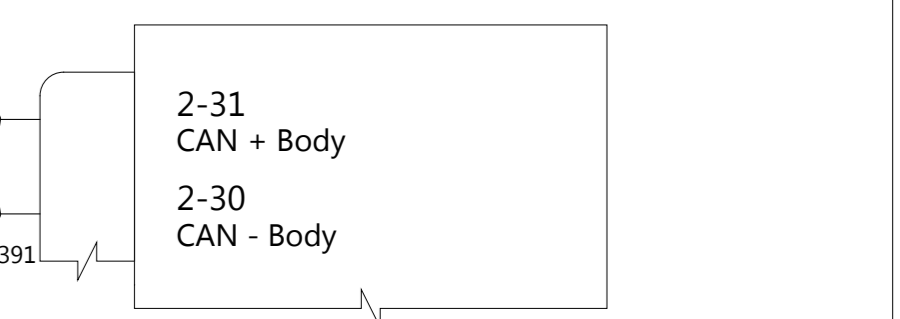


Termination

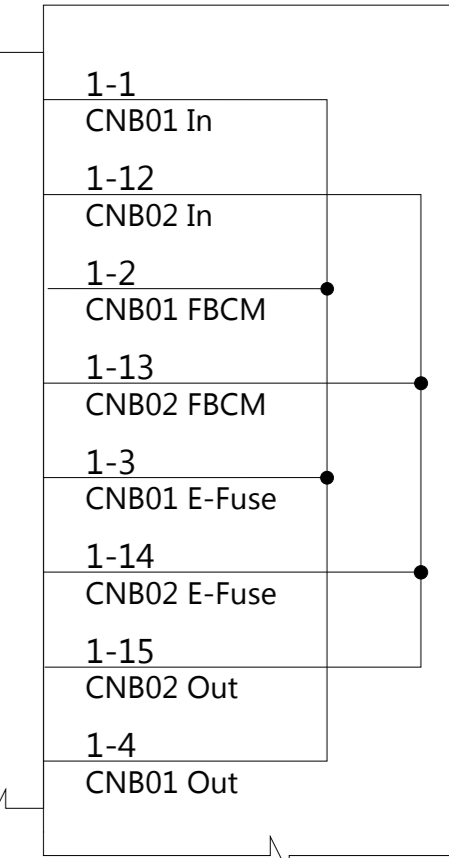
CAN Diagnostic
J X179



Door Control Module RF (BCFPM) DV3
P X390 X391 X392 X393

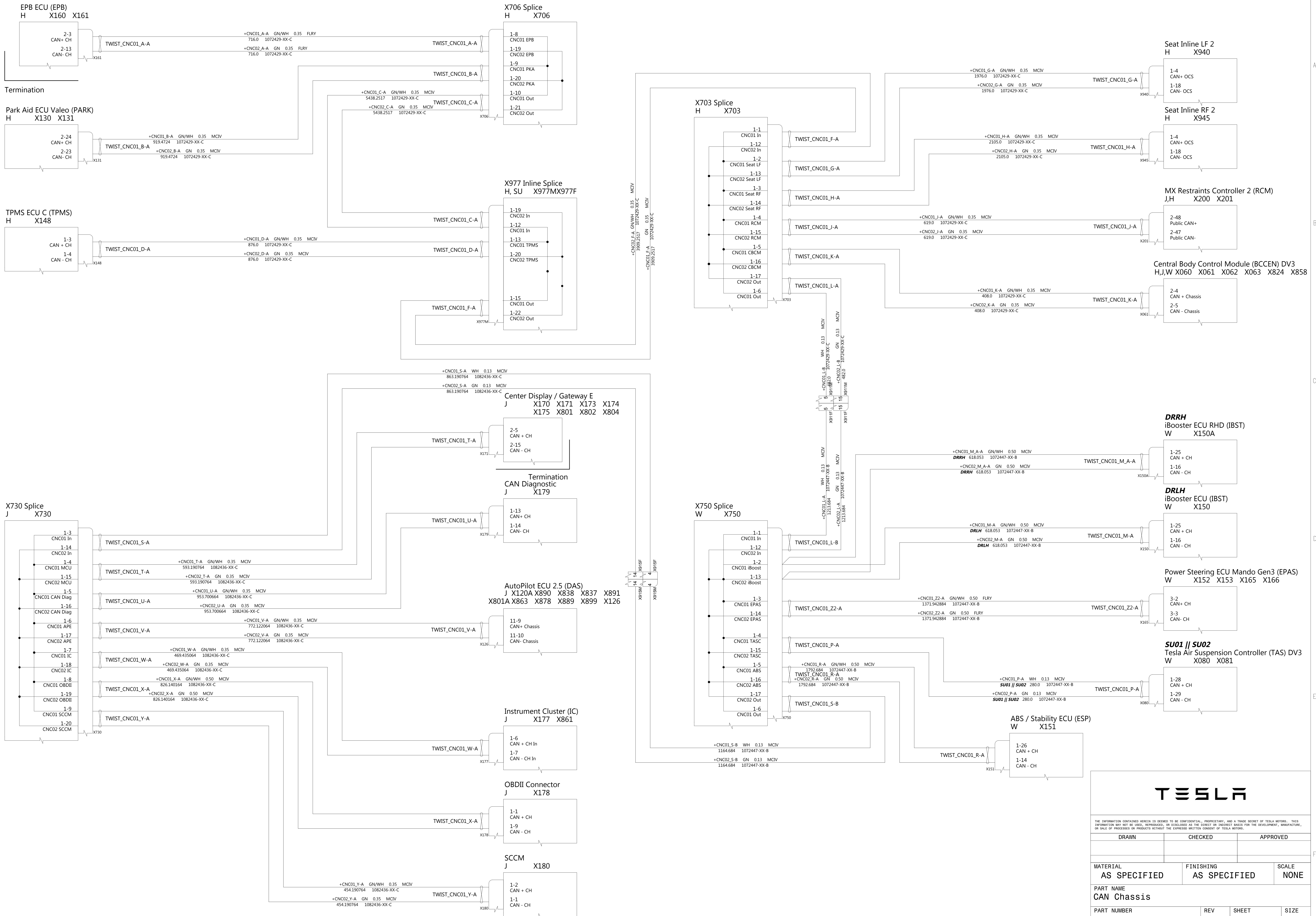


X732 Splice
J X732



THE INFORMATION CONTAINED HEREIN IS DEEMED TO BE CONFIDENTIAL, PROPRIETARY, AND A TRADE SECRET OF TESLA MOTORS. THIS INFORMATION MAY NOT BE USED, REPRODUCED, OR DISCLOSED AS THE DIRECT OR INDIRECT BASIS FOR THE DEVELOPMENT, MANUFACTURE, OR SALE OF PROCESSES OR PRODUCTS WITHOUT THE EXPRESS WRITTEN CONSENT OF TESLA MOTORS.

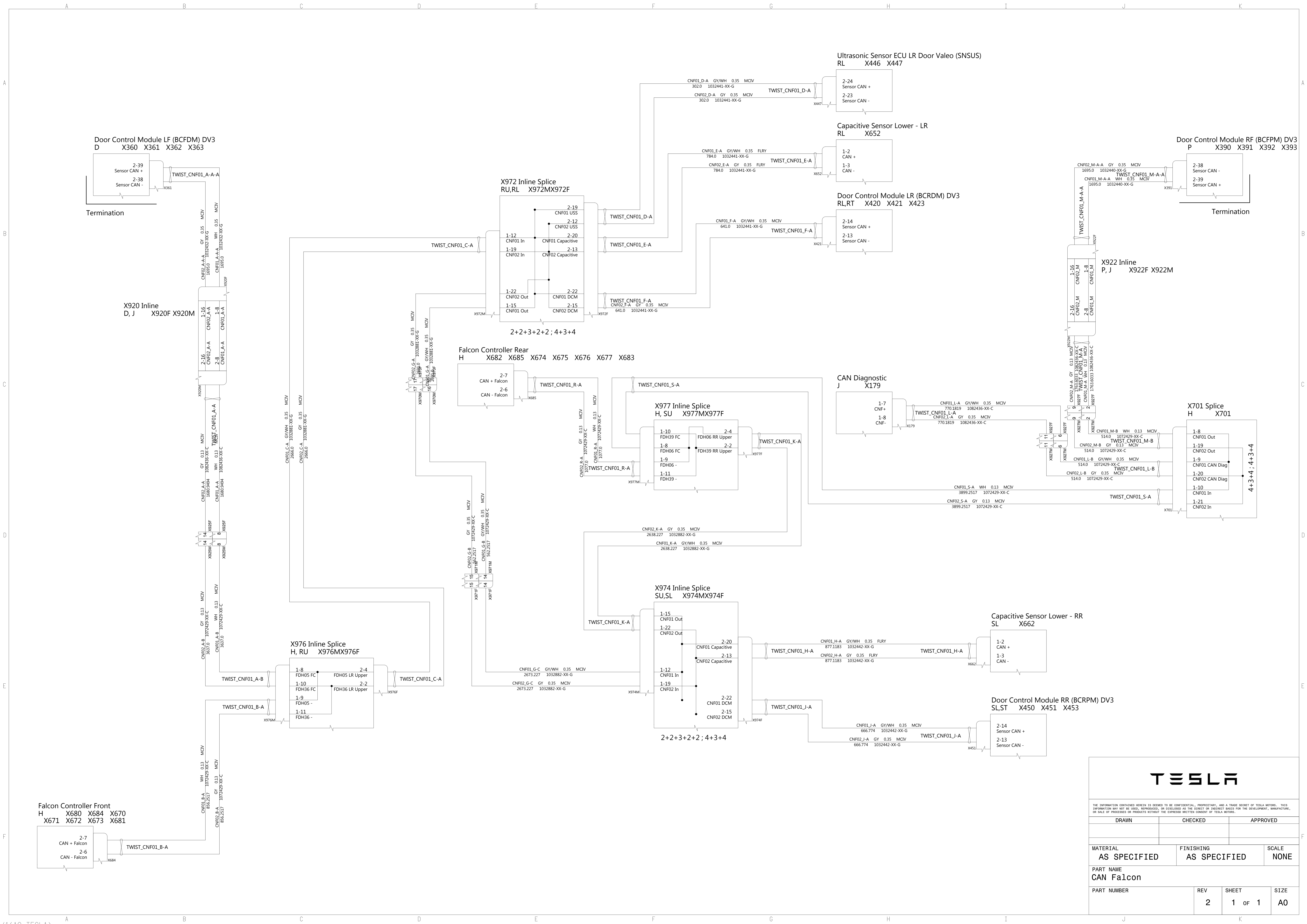
DRAWN		CHECKED		APPROVED	
MATERIAL AS SPECIFIED		FINISHING AS SPECIFIED		SCALE NONE	
PART NAME CAN Body					
PART NUMBER		REV 2	SHEET 1 of 1	SIZE AO	



TESLA

THE INFORMATION CONTAINED HEREIN IS DEEMED TO BE CONFIDENTIAL, PROPRIETARY, AND A TRADE SECRET OF TESLA MOTORS. THIS INFORMATION MAY NOT BE USED, REPRODUCED, OR DISCLOSED AS THE DIRECT OR INDIRECT BASIS FOR THE DEVELOPMENT, MANUFACTURE, OR SALE OF PROCESSES OR PRODUCTS WITHOUT THE EXPRESSED WRITTEN CONSENT OF TESLA MOTORS.

DRAWN	CHECKED	APPROVED
MATERIAL AS SPECIFIED	FINISHING AS SPECIFIED	SCALE NONE
PART NAME CAN Chassis		
PART NUMBER	REV 2	SHEET 1 of 1
	SIZE AO	



TESLA		
THE INFORMATION CONTAINED HEREIN IS DEEMED TO BE CONFIDENTIAL, PROPRIETARY, AND A TRADE SECRET OF TESLA MOTORS. THIS INFORMATION MAY NOT BE USED, REPRODUCED, OR DISCLOSED AS THE DIRECT OR INDIRECT BASIS FOR THE DEVELOPMENT, MANUFACTURE, OR SALE OF PROCESSES OR PRODUCTS WITHOUT THE EXPRESS WRITTEN CONSENT OF TESLA MOTORS.		
DRAWN	CHECKED	APPROVED
MATERIAL AS SPECIFIED	FINISHING AS SPECIFIED	SCALE NONE
PART NAME CAN Falcon		
PART NUMBER	REV 2	SHEET 1 of 1
		SIZE AO

Center Display / Gateway E
J X170 X171 X173 X174 X175

CAN Diagnostic
J X179

X750 Splice
W X750

Termination

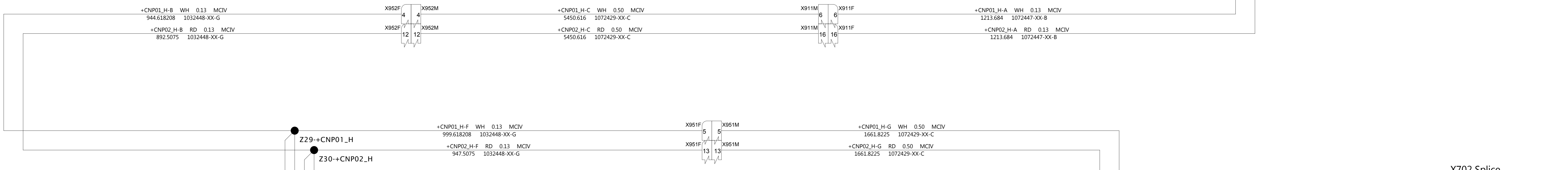
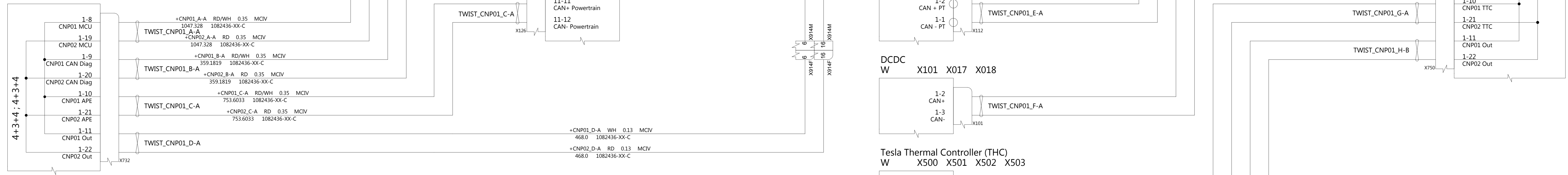
X732 Splice
J X732

AutoPilot ECU 2.5 (DAS)
J X120A X890 X838 X837 X891 X801A
X863 X878 X889 X899 X126

Drive Inverter (DI) Front
W

DCDC
W X101 X017 X018

Tesla Thermal Controller (THC)
W X500 X501 X502 X503



X025
Drive Inverter (DI) Rear - SDU
X

X024
Drive Inverter (DI) Rear - LDU
X

X702 Splice
H X702



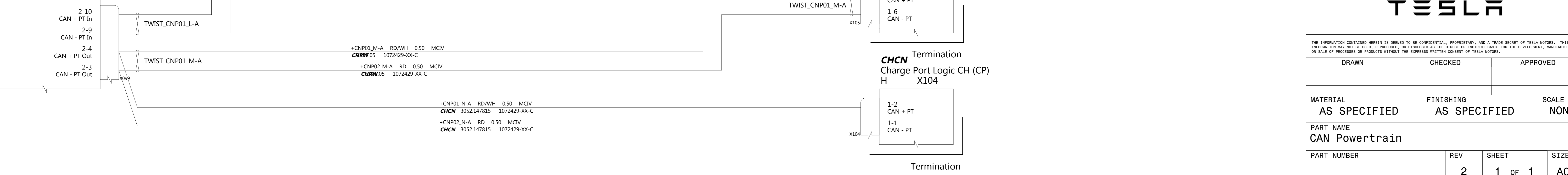
Charge Gen3 (CHG)
H

EPB ECU (EPB)
H X160 X161

HV Battery
H X099

Charge Port Logic (CP)
H X105

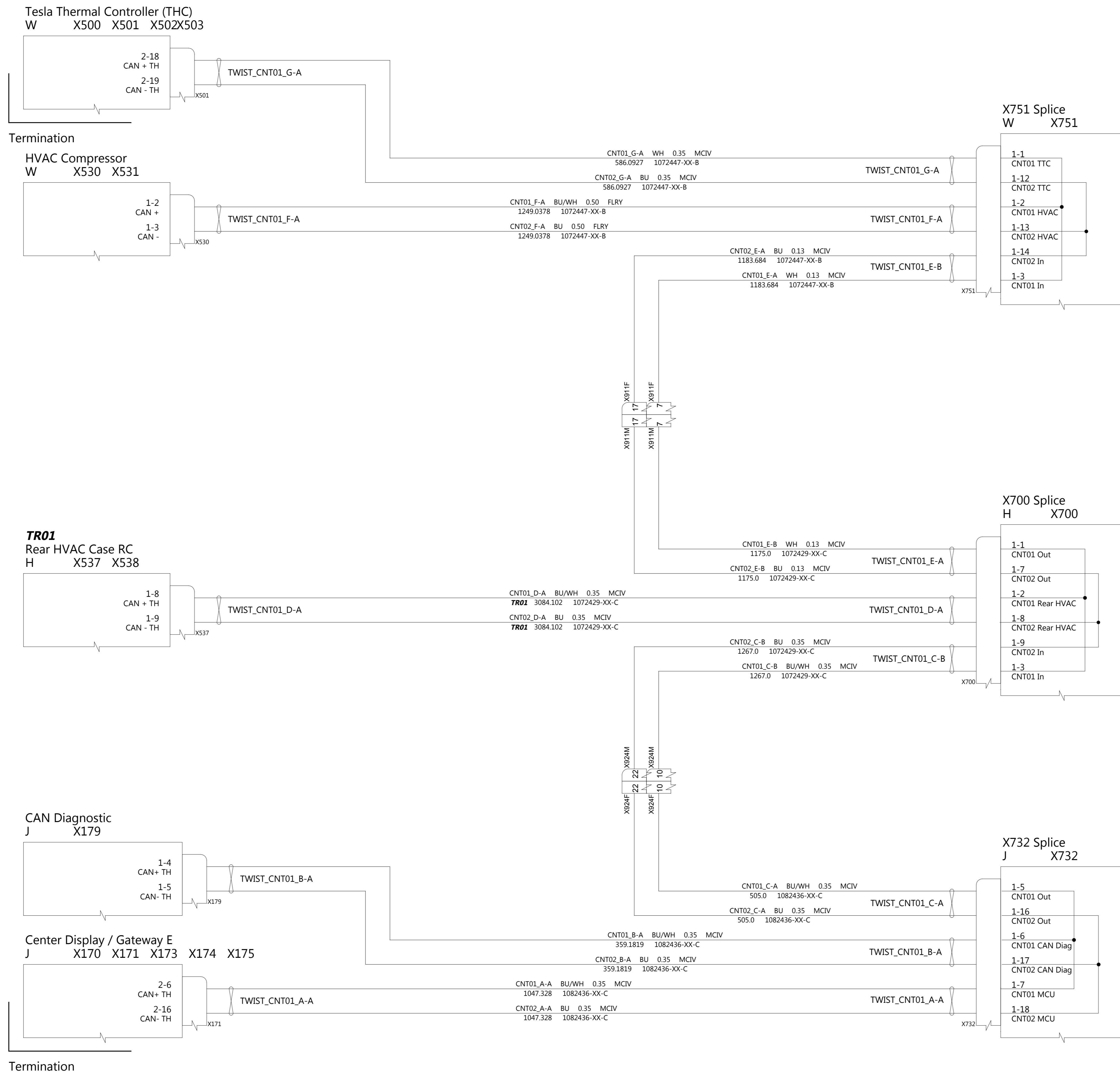
CHCN Termination
Charge Port Logic CH (CP)
H X104



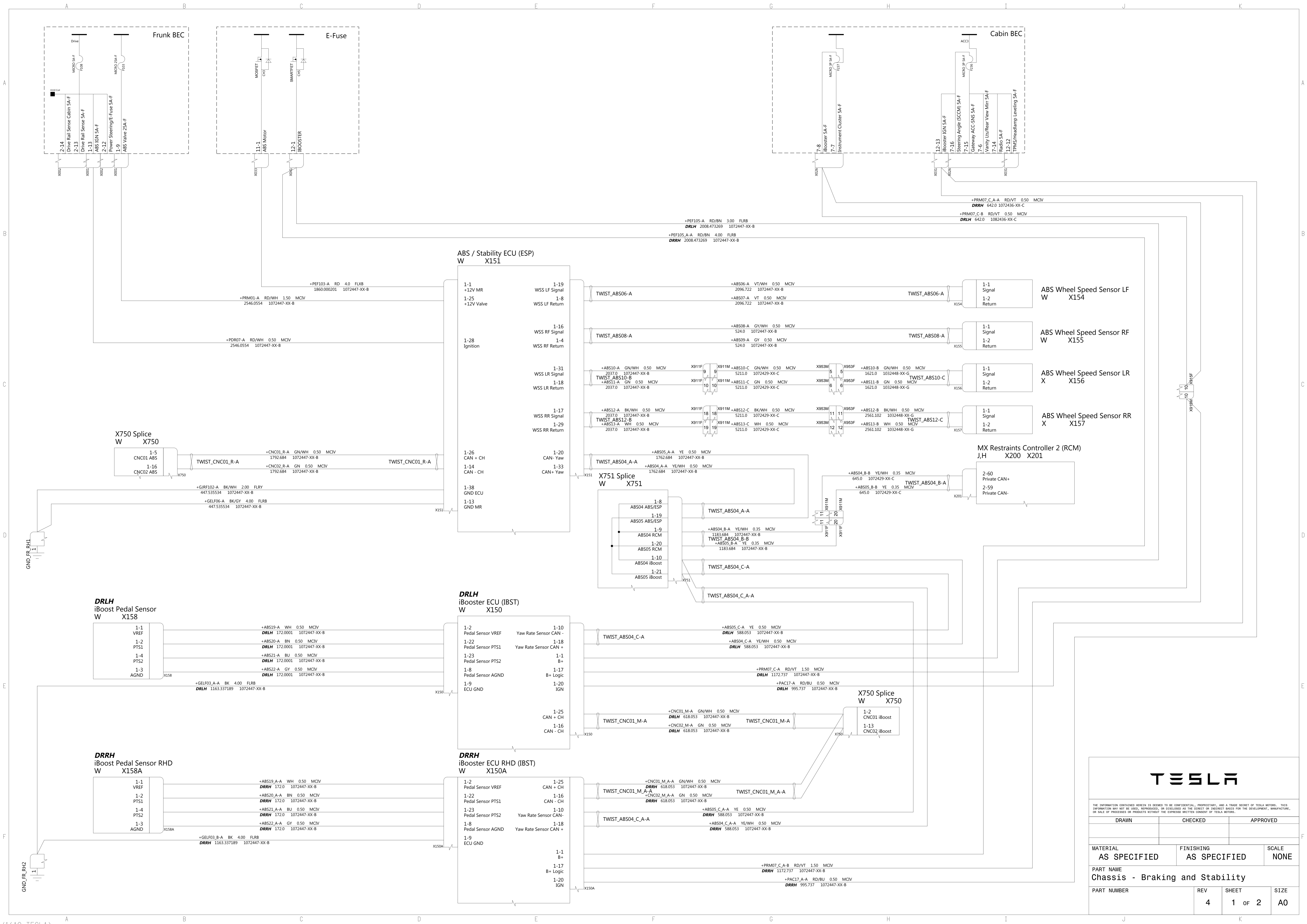
TESLA

THE INFORMATION CONTAINED HEREIN IS DEEMED TO BE CONFIDENTIAL, PROPRIETARY, AND A TRADE SECRET OF TESLA MOTORS. THIS INFORMATION MAY NOT BE USED, REPRODUCED, OR DISCLOSED AS THE DIRECT OR INDIRECT BASIS FOR THE DEVELOPMENT, MANUFACTURE, OR SALE OF PROCESSES OR PRODUCTS WITHOUT THE EXPRESS WRITTEN CONSENT OF TESLA MOTORS.

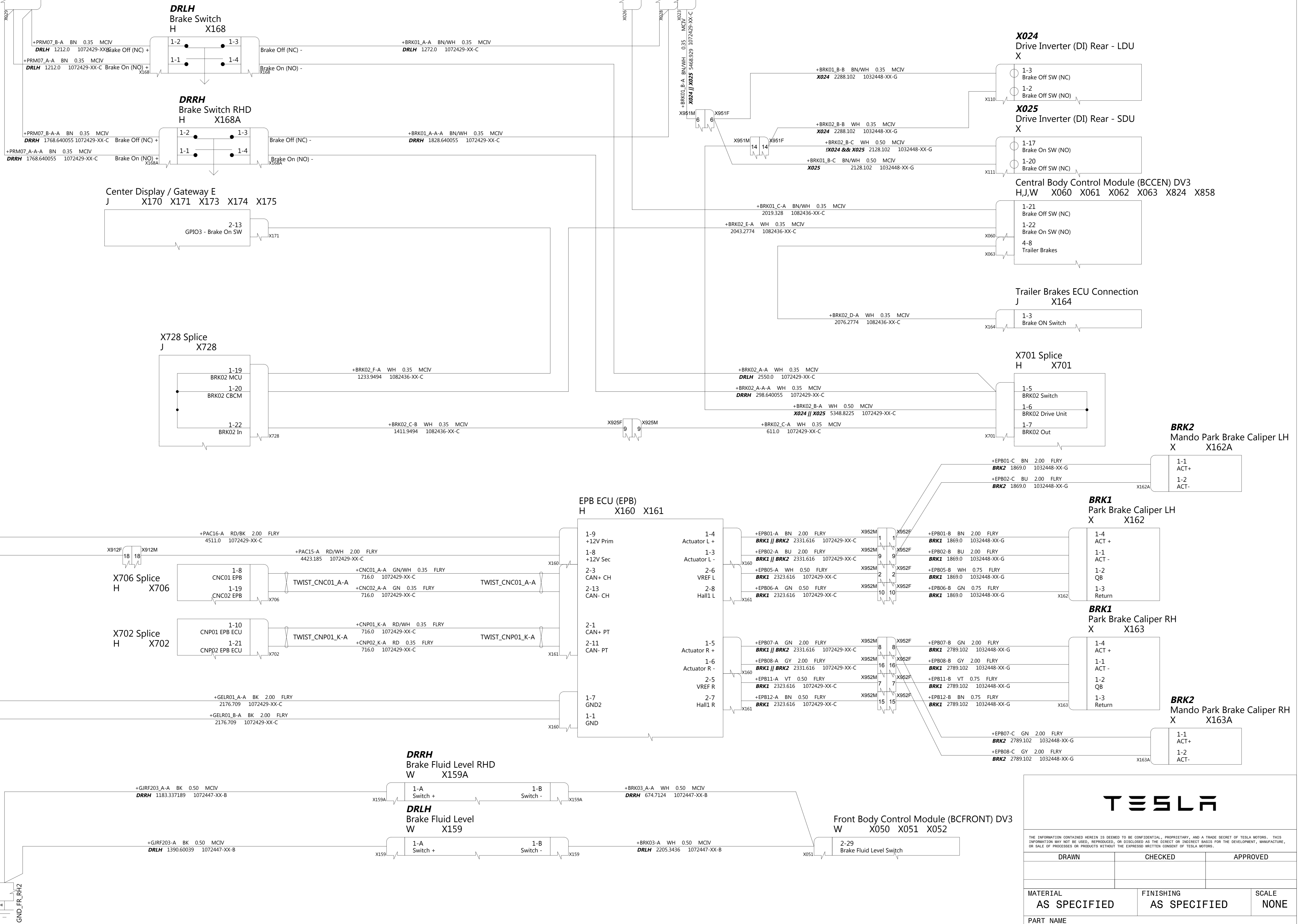
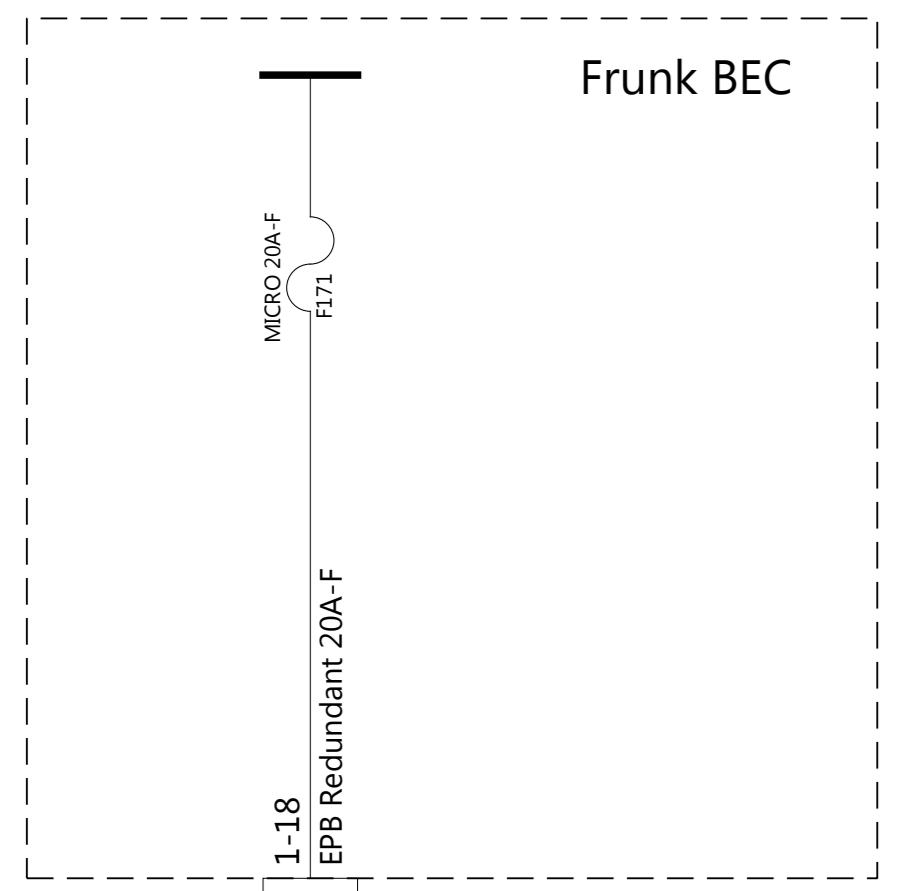
DRAWN	CHECKED	APPROVED
MATERIAL AS SPECIFIED	FINISHING AS SPECIFIED	SCALE NONE
PART NAME CAN Powertrain		
PART NUMBER	REV 2	SHEET 1 of 1
		SIZE AO



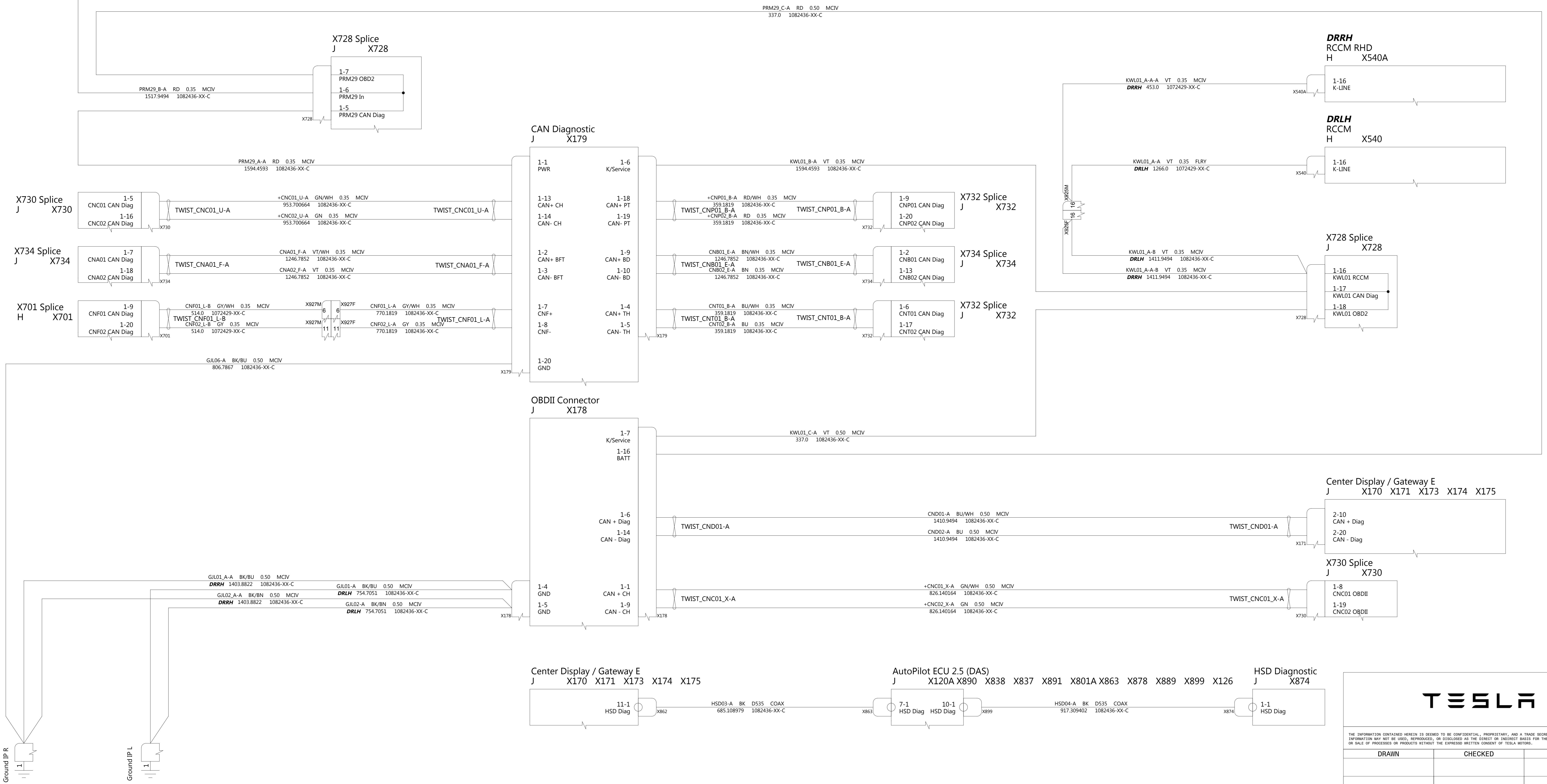
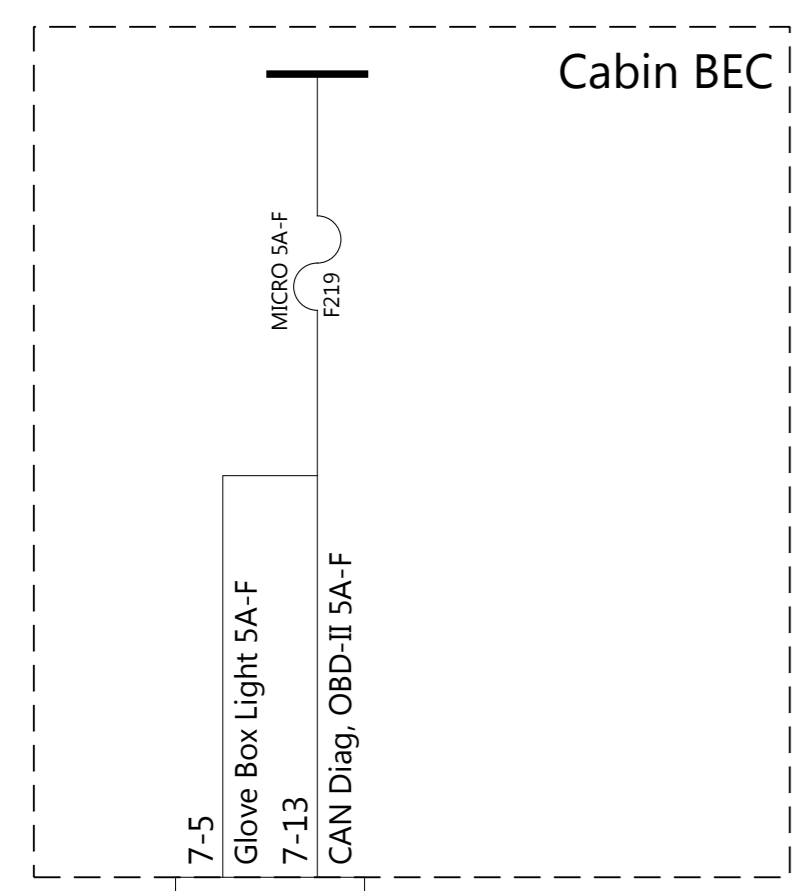
TESLA			
THE INFORMATION CONTAINED HEREIN IS DEEMED TO BE CONFIDENTIAL, PROPRIETARY, AND A TRADE SECRET OF TESLA MOTORS. THIS INFORMATION MAY NOT BE USED, REPRODUCED, OR DISCLOSED AS THE DIRECT OR INDIRECT BASIS FOR THE DEVELOPMENT, MANUFACTURE, OR SALE OF PROCESSES OR PRODUCTS WITHOUT THE EXPRESS WRITTEN CONSENT OF TESLA MOTORS.			
DRAWN	CHECKED	APPROVED	
MATERIAL AS SPECIFIED	FINISHING AS SPECIFIED	SCALE NONE	
PART NAME CAN Thermal			
PART NUMBER	REV 2	SHEET 1 OF 1	SIZE AO



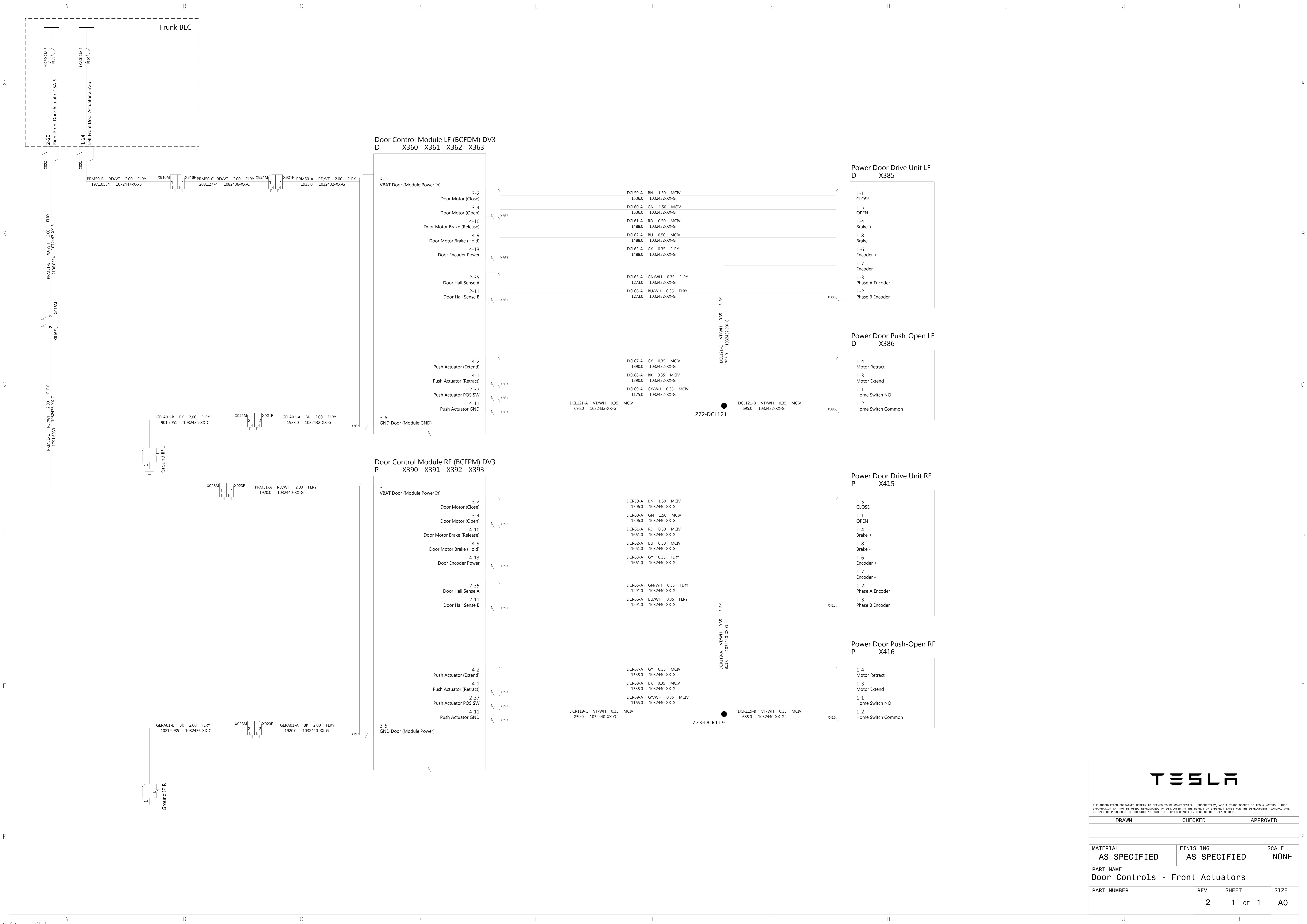
TESLA			
THE INFORMATION CONTAINED HEREIN IS DEEMED TO BE CONFIDENTIAL, PROPRIETARY, AND A TRADE SECRET OF TESLA MOTORS. THIS INFORMATION MAY NOT BE USED, REPRODUCED, OR DISCLOSED AS THE DIRECT OR INDIRECT BASIS FOR THE DEVELOPMENT, MANUFACTURE, OR SALE OF PROCESSES OR PRODUCTS WITHOUT THE EXPRESS WRITTEN CONSENT OF TESLA MOTORS.			
DRAWN	CHECKED	APPROVED	
MATERIAL AS SPECIFIED	FINISHING AS SPECIFIED	SCALE NONE	
PART NAME Chassis - Braking and Stability			
PART NUMBER	REV 4	SHEET 1 of 2	SIZE AO



TESLA		
THE INFORMATION CONTAINED HEREIN IS DEEMED TO BE CONFIDENTIAL, PROPRIETARY, AND A TRADE SECRET OF TESLA MOTORS. THIS INFORMATION MAY NOT BE USED, REPRODUCED, OR DISCLOSED AS THE DIRECT OR INDIRECT BASIS FOR THE DEVELOPMENT, MANUFACTURE, OR SALE OF PROCESSES OR PRODUCTS WITHOUT THE EXPRESSED WRITTEN CONSENT OF TESLA MOTORS.		
DRAWN	CHECKED	APPROVED
MATERIAL AS SPECIFIED	FINISHING AS SPECIFIED	SCALE NONE
PART NAME Chassis - Electronic Park Brake + Brake Pedal		
PART NUMBER	REV 4	SHEET 2 OF 2
		SIZE AO



TESLA			
THE INFORMATION CONTAINED HEREIN IS DEEMED TO BE CONFIDENTIAL, PROPRIETARY, AND A TRADE SECRET OF TESLA MOTORS. THIS INFORMATION MAY NOT BE USED, REPRODUCED, OR DISCLOSED AS THE DIRECT OR INDIRECT BASIS FOR THE DEVELOPMENT, MANUFACTURE, OR SALE OF PROCESSES OR PRODUCTS WITHOUT THE EXPRESS WRITTEN CONSENT OF TESLA MOTORS.			
DRAWN	CHECKED	APPROVED	
MATERIAL AS SPECIFIED	FINISHING AS SPECIFIED	SCALE NONE	
PART NAME Diagnostics			
PART NUMBER	REV 2	SHEET 1 of 1	SIZE AO



THE INFORMATION CONTAINED HEREIN IS DEEMED TO BE CONFIDENTIAL, PROPRIETARY, AND A TRADE SECRET OF TESLA MOTORS. THIS INFORMATION MAY NOT BE USED, REPRODUCED, OR DISCLOSED AS THE DIRECT OR INDIRECT BASIS FOR THE DEVELOPMENT, MANUFACTURE, OR SALE OF PROCESSES OR PRODUCTS WITHOUT THE EXPRESS WRITTEN CONSENT OF TESLA MOTORS.

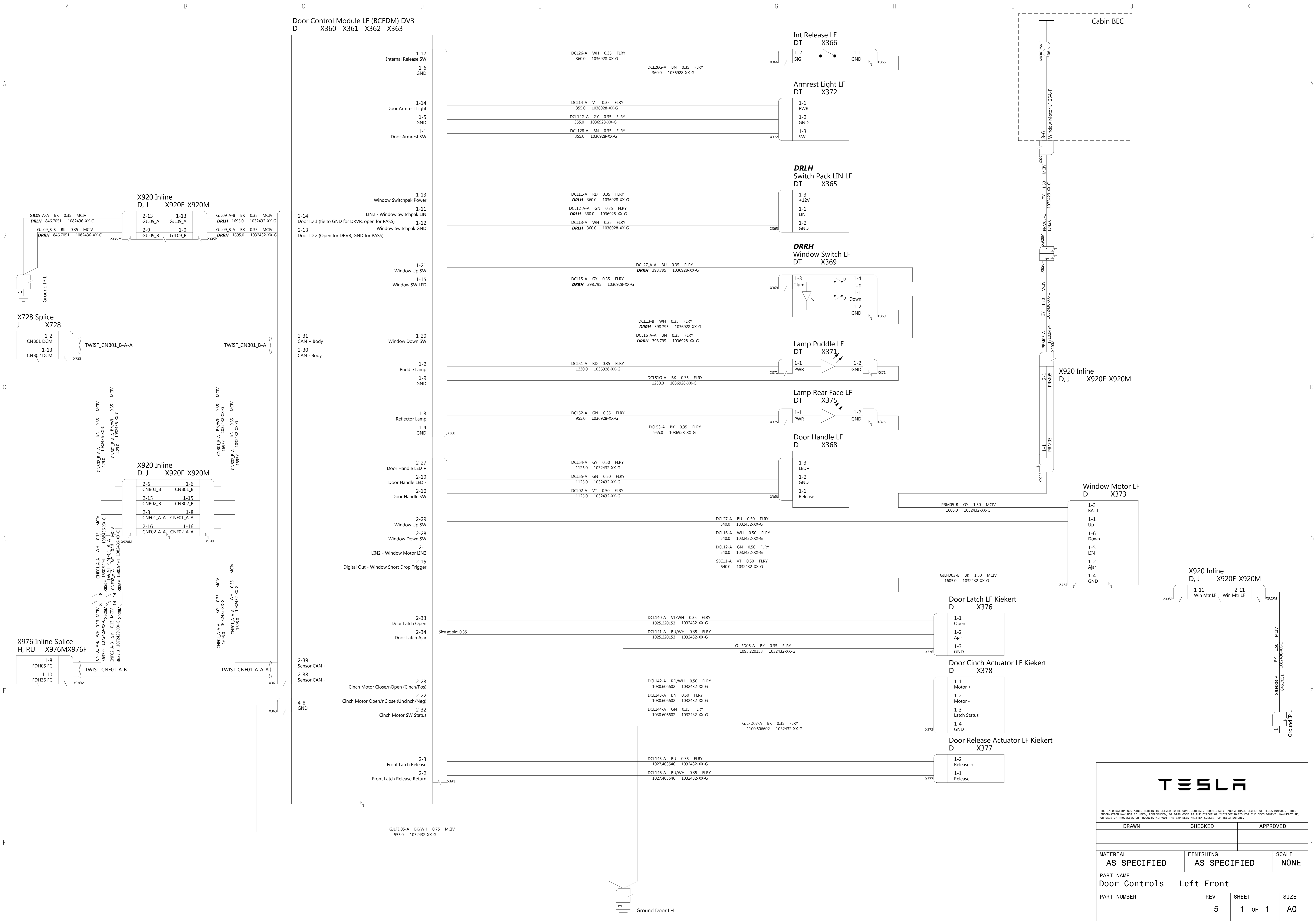
DRAWN	CHECKED	APPROVED

MATERIAL	FINISHING	SCALE
AS SPECIFIED	AS SPECIFIED	NONE

PART NAME
Door Controls - Front Actuators

PART NUMBER	REV	SHEET	SIZE
	2	1 of 1	AO

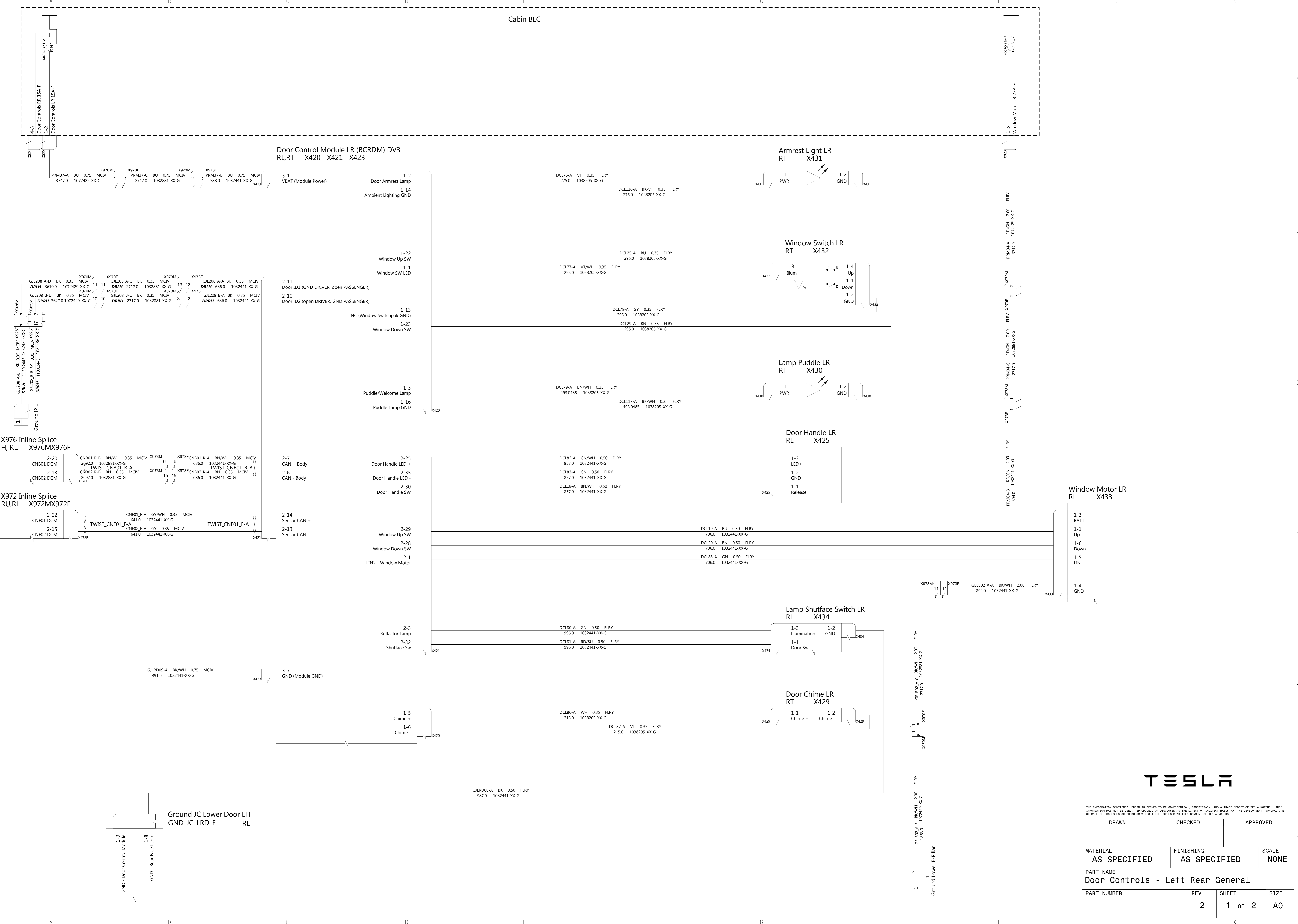
Door Control Module LF (BCFDM) DV3
D X360 X361 X362 X363



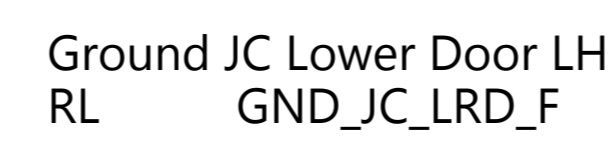
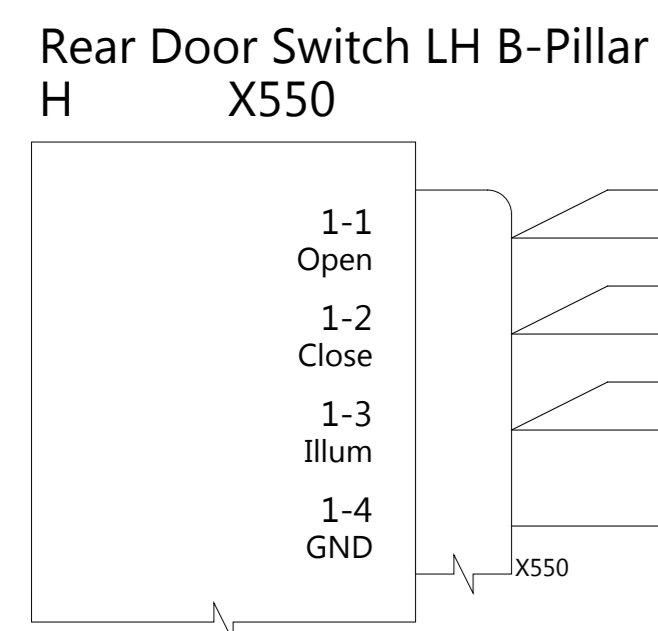
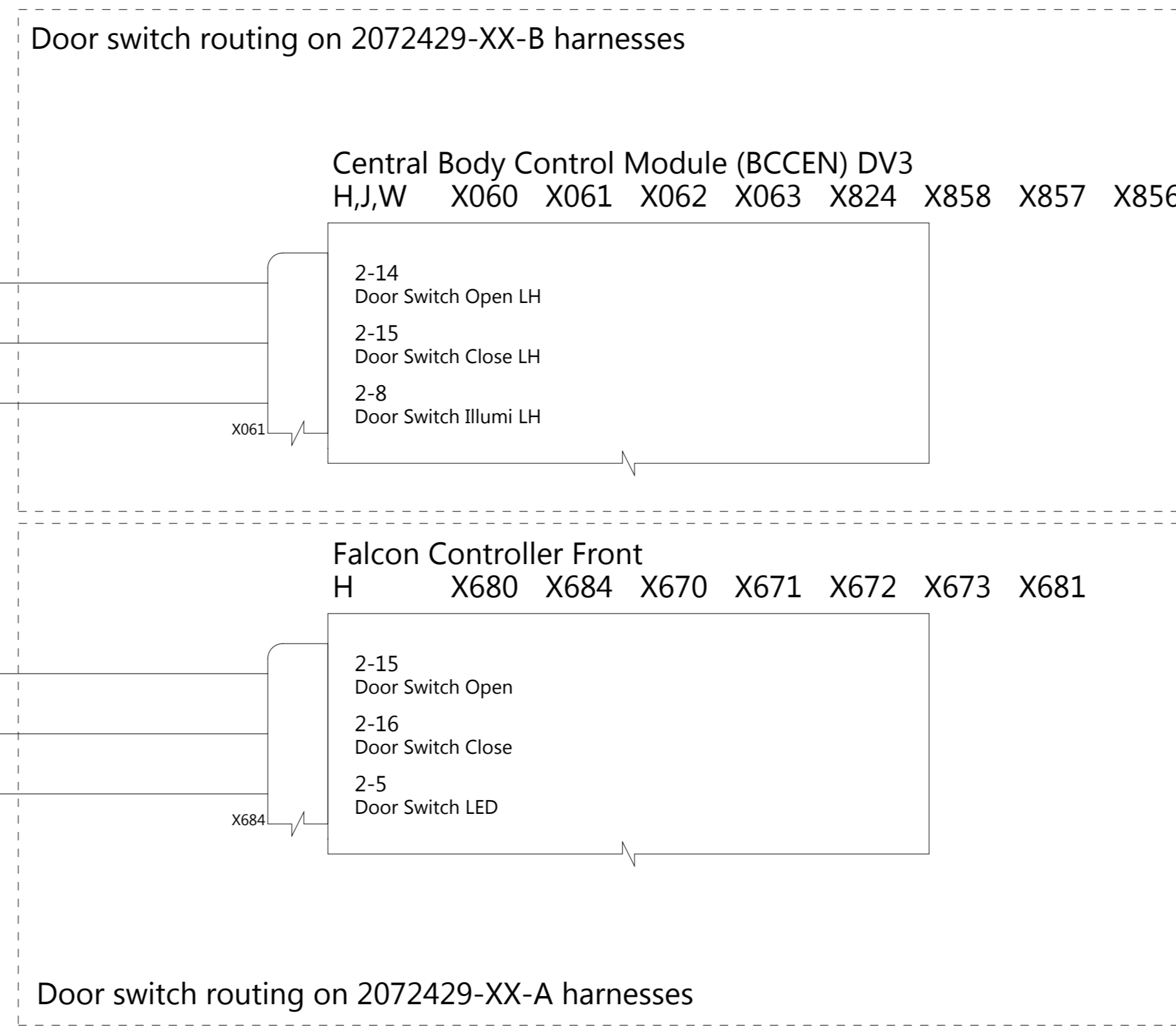
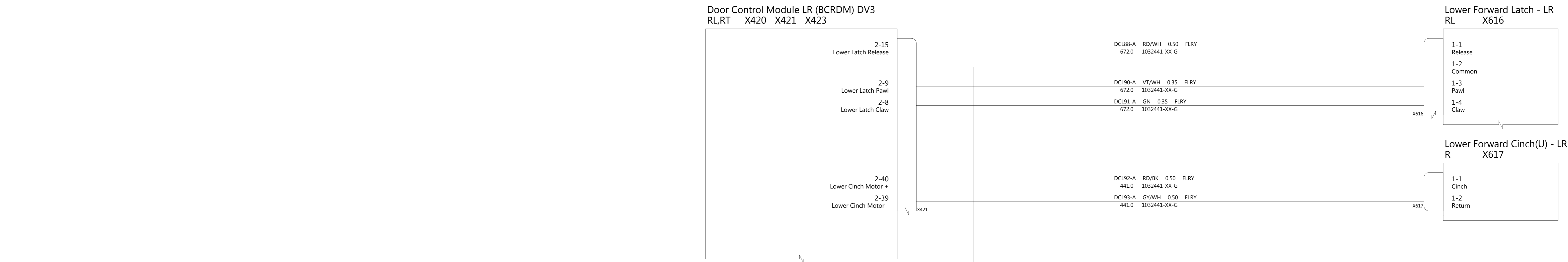
TESLA			
THE INFORMATION CONTAINED HEREIN IS DEEMED TO BE CONFIDENTIAL, PROPRIETARY, AND A TRADE SECRET OF TESLA MOTORS. THIS INFORMATION MAY NOT BE USED, REPRODUCED, OR DISCLOSED AS THE DIRECT OR INDIRECT BASIS FOR THE DEVELOPMENT, MANUFACTURE, OR SALE OF PROCESSES OR PRODUCTS WITHOUT THE EXPRESS WRITTEN CONSENT OF TESLA MOTORS.			
DRAWN	CHECKED	APPROVED	
MATERIAL AS SPECIFIED	FINISHING AS SPECIFIED	SCALE NONE	
PART NAME Door Controls - Left Front			
PART NUMBER	REV 5	SHEET 1 of 1	SIZE AO

Cabin BEC

Door Control Module LR (BCRDM) DV3
RL,RT X420 X421 X423



TESLA		
THE INFORMATION CONTAINED HEREIN IS DEEMED TO BE CONFIDENTIAL, PROPRIETARY, AND A TRADE SECRET OF TESLA MOTORS. THIS INFORMATION MAY NOT BE USED, REPRODUCED, OR DISCLOSED AS THE DIRECT OR INDIRECT BASIS FOR THE DEVELOPMENT, MANUFACTURE, OR SALE OF PROCESSES OR PRODUCTS WITHOUT THE EXPRESS WRITTEN CONSENT OF TESLA MOTORS.		
DRAWN	CHECKED	APPROVED
MATERIAL AS SPECIFIED	FINISHING AS SPECIFIED	SCALE NONE
PART NAME Door Controls - Left Rear General		
PART NUMBER	REV 2	SHEET 1 of 2
		SIZE AO



TESLA

THE INFORMATION CONTAINED HEREIN IS DEEMED TO BE CONFIDENTIAL, PROPRIETARY, AND A TRADE SECRET OF TESLA MOTORS. THIS INFORMATION MAY NOT BE USED, REPRODUCED, OR DISCLOSED AS THE DIRECT OR INDIRECT BASIS FOR THE DEVELOPMENT, MANUFACTURE, OR SALE OF PROCESSES OR PRODUCTS WITHOUT THE EXPRESSED WRITTEN CONSENT OF TESLA MOTORS.

DRAWN	CHECKED	APPROVED

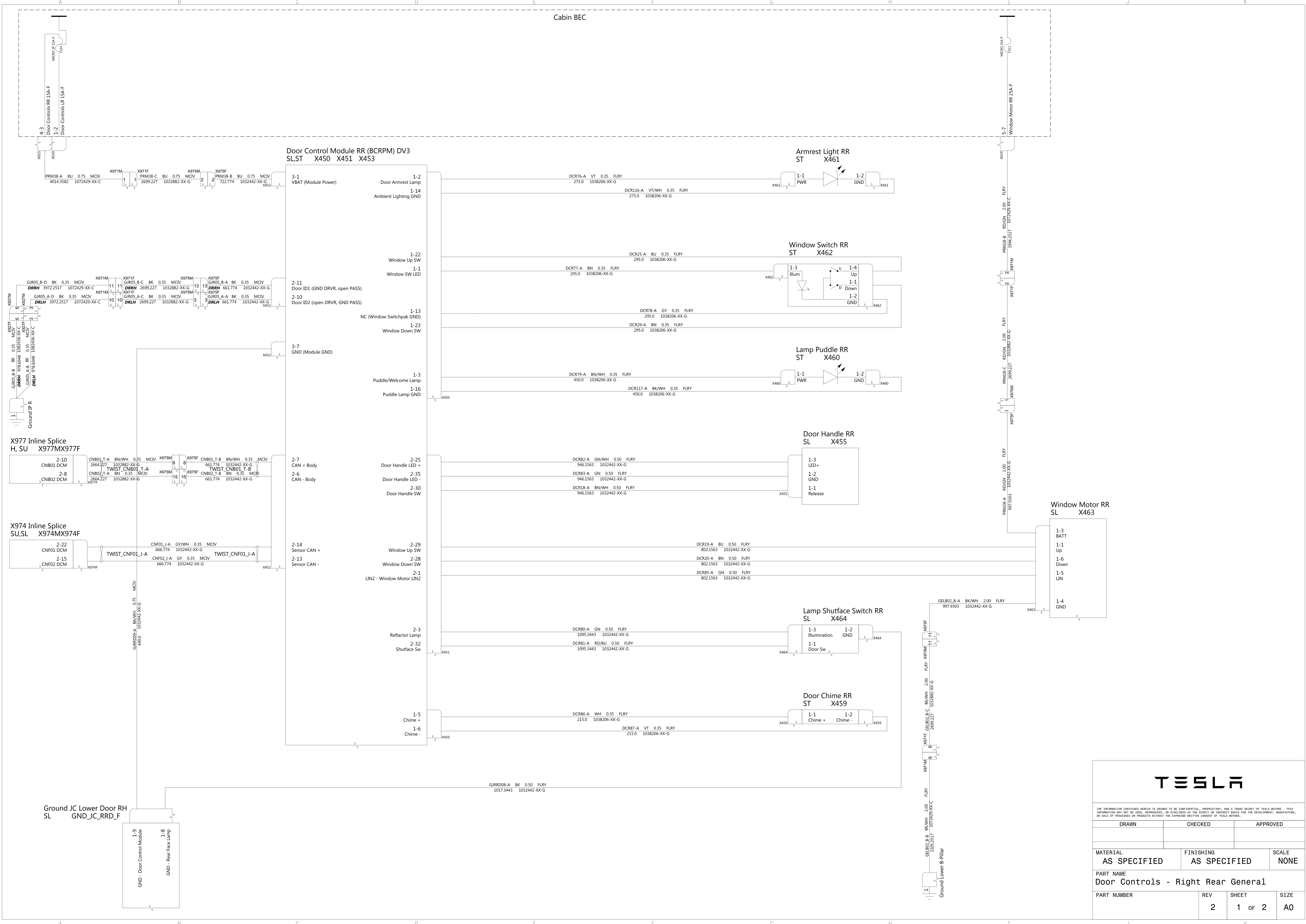
MATERIAL AS SPECIFIED	FINISHING AS SPECIFIED	SCALE NONE
--------------------------	---------------------------	---------------

PART NAME
Door Controls - Left Rear Latches

PART NUMBER	REV	SHEET	SIZE
	2	2 OF 2	A0

Cabin BEC

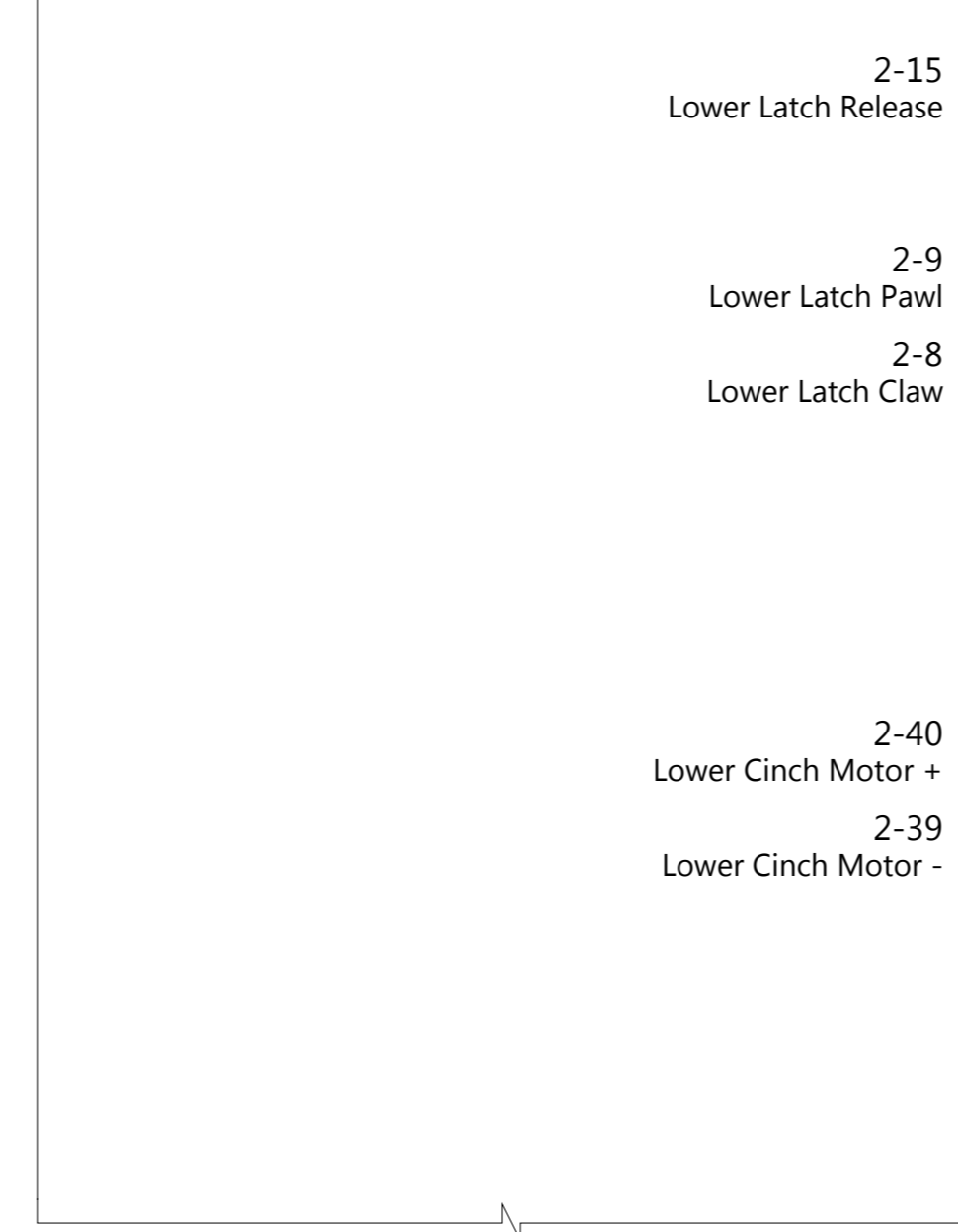
Door Control Module RR (BCRPM) DV3
SL,ST X450 X451 X453



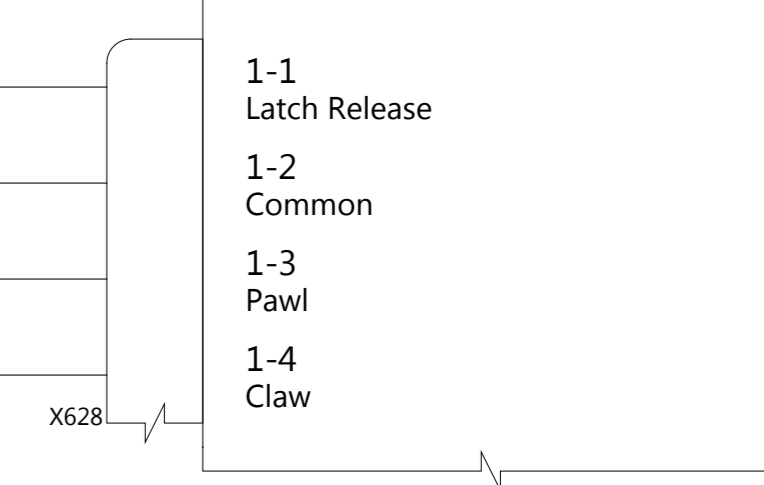
THE INFORMATION CONTAINED HEREIN IS DEEMED TO BE CONFIDENTIAL, PROPRIETARY, AND A TRADE SECRET OF TESLA MOTORS. THIS INFORMATION MAY NOT BE USED, REPRODUCED, OR DISCLOSED AS THE DIRECT OR INDIRECT BASIS FOR THE DEVELOPMENT, MANUFACTURE, OR SALE OF PROCESSES OR PRODUCTS WITHOUT THE EXPRESS WRITTEN CONSENT OF TESLA MOTORS.

DRAWN	CHECKED	APPROVED
MATERIAL AS SPECIFIED	FINISHING AS SPECIFIED	SCALE NONE
PART NAME Door Controls - Right Rear General		
PART NUMBER	REV 2	SHEET 1 of 2
		SIZE AO

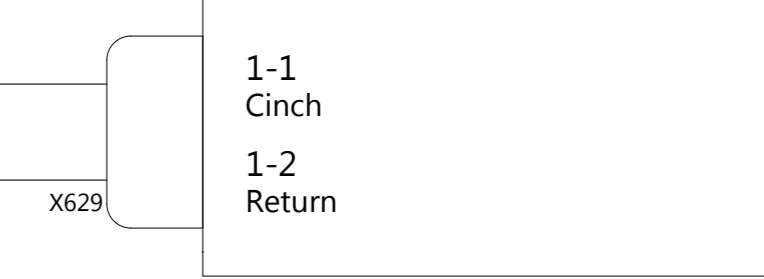
Door Control Module RR (BCRPM) DV3
SL,ST X450 X451 X453



Lower Forward Latch - RR
RL X628



Lower Forward Cinch(U) - RR
SL X629



DCR88-A RD/WH 0.50 FLY
661.3443 1032442-XX-G

DCR90-A VT/WH 0.35 FLY
661.3443 1032442-XX-G

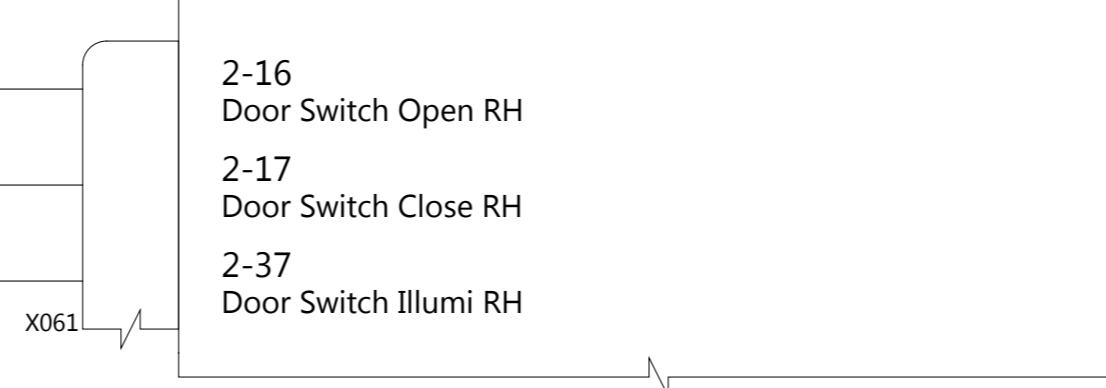
DCR91-A GN 0.35 FLY
661.3443 1032442-XX-G

DCR92-A RD/BK 0.50 FLY
1055.3443 1032442-XX-G

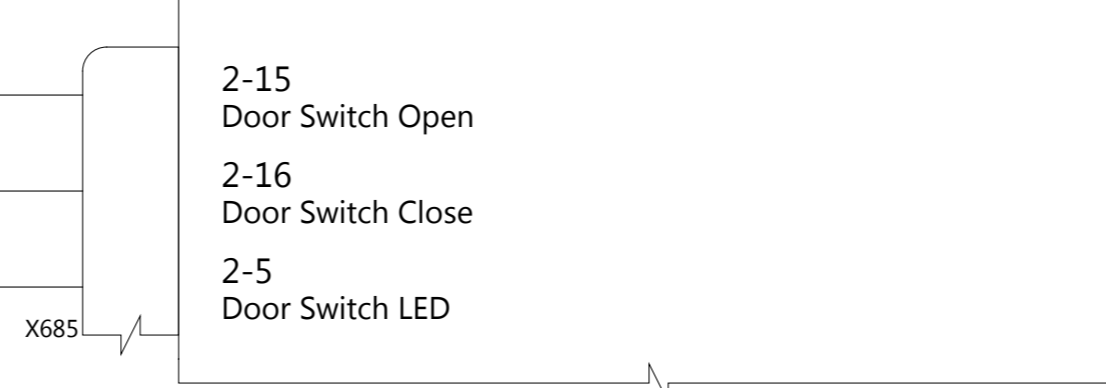
DCR93-A GY/WH 0.50 FLY
1055.3443 1032442-XX-G

Door switch routing on 2072439-XX-B harnesses

Central Body Control Module (BCCEN) DV3
H,J,W X060 X061 X062 X063 X824 X858 X857 X856

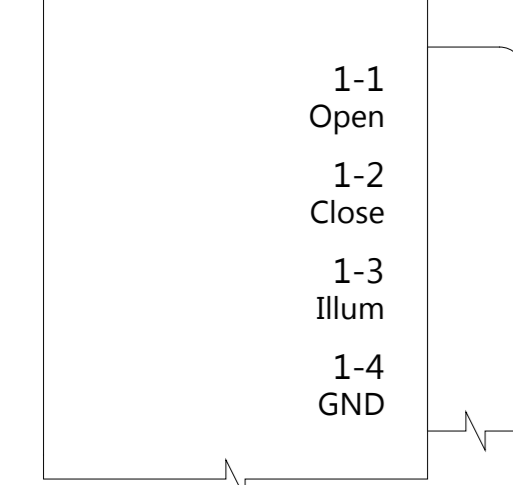


Falcon Controller Rear
H X682 X685 X674 X675 X676 X677 X683



Door switch routing on 2072429-XX-A harnesses

Rear Door Switch RH B-Pillar
H X553



DCR111-A GY 0.13 MCV
2072429-XX-B

DCR112-A VT 0.13 MCV
2072429-XX-B

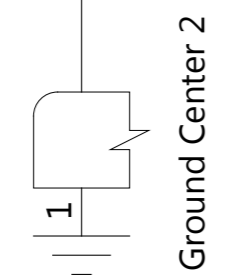
DCR114-A BU 0.13 MCV
2072429-XX-B

DCR111-A WH 0.13 MCV
5623.5967 2072429-XX-A

DCR112-A GN 0.13 MCV
5623.5967 2072429-XX-A

DCR114-A BU 0.13 MCV
5623.5967 2072429-XX-A

GECC01-A BK 0.35 MCV
1387.345 2072429-XX-A



GBR0011-A BK/BU 0.50 FLY
1032442-XX-G
583.3443

Ground JC Lower Door RH

GND_JC_RRD_F



TESLA

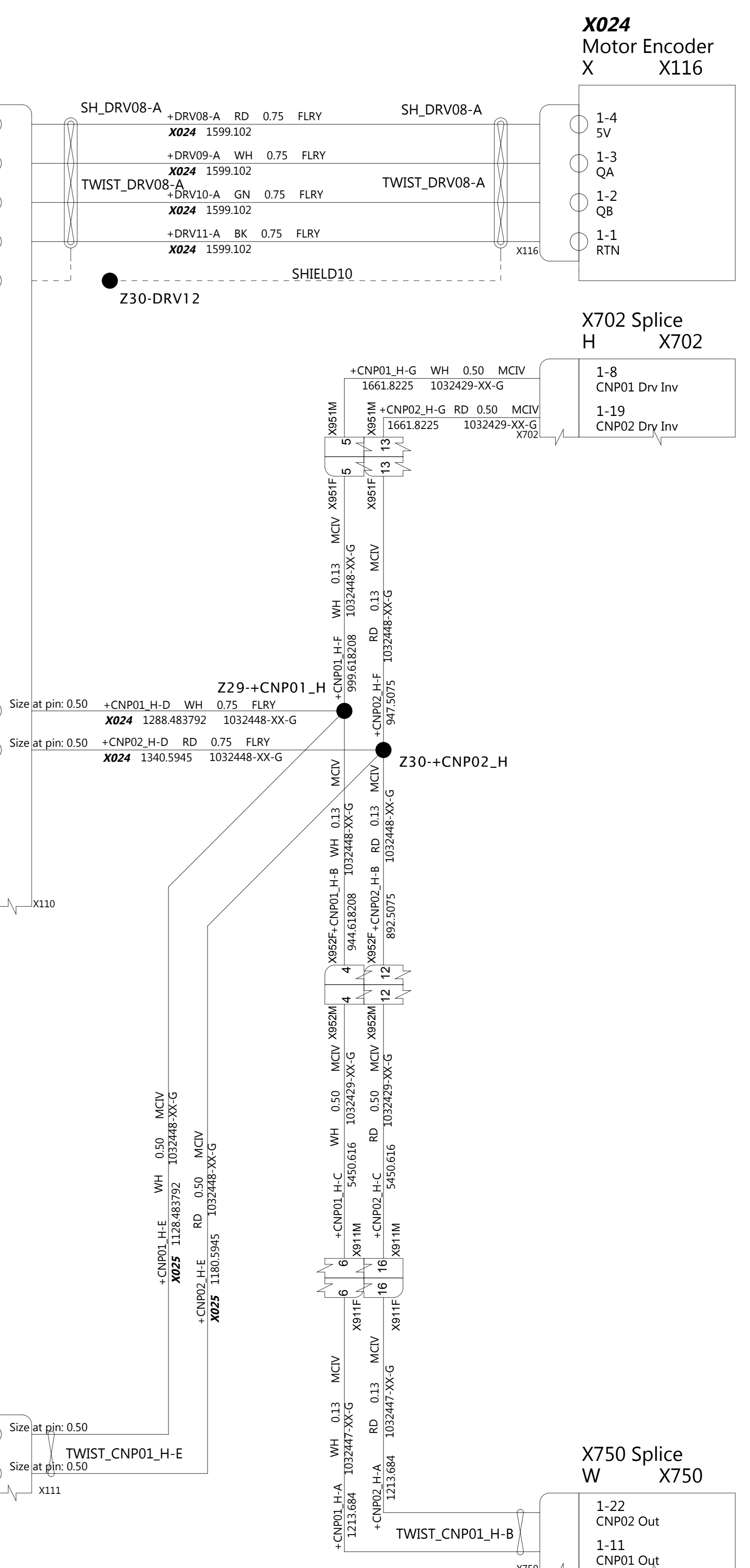
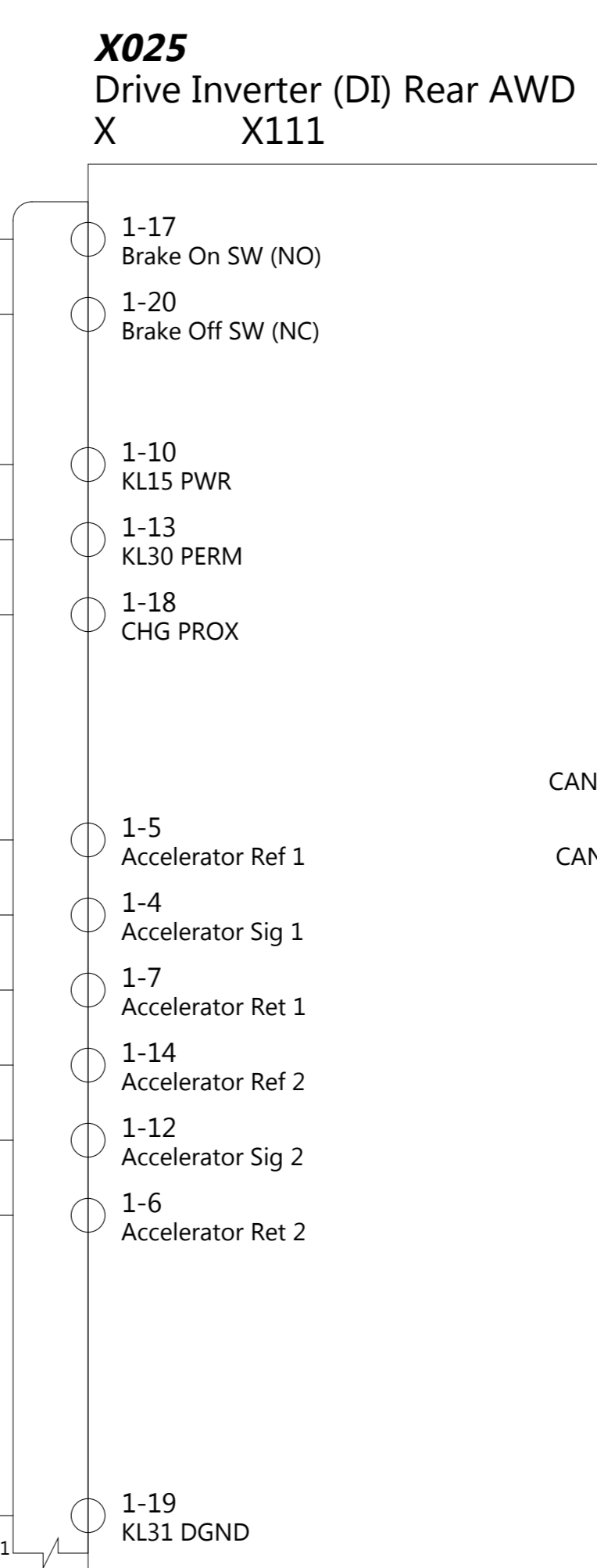
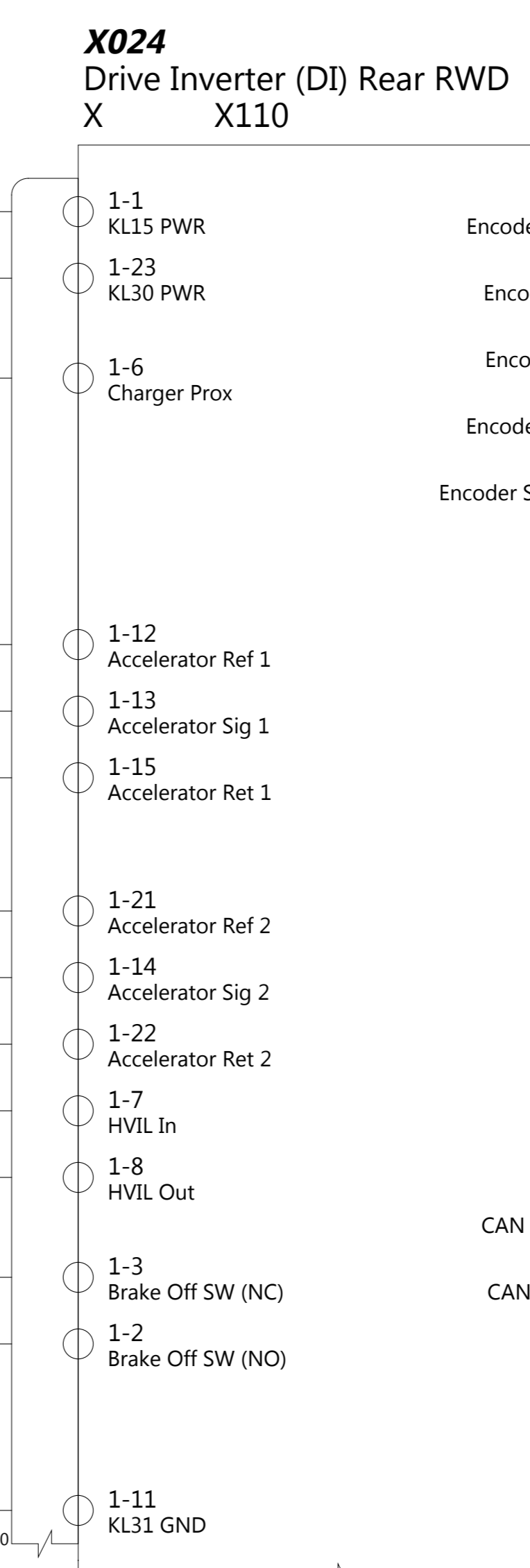
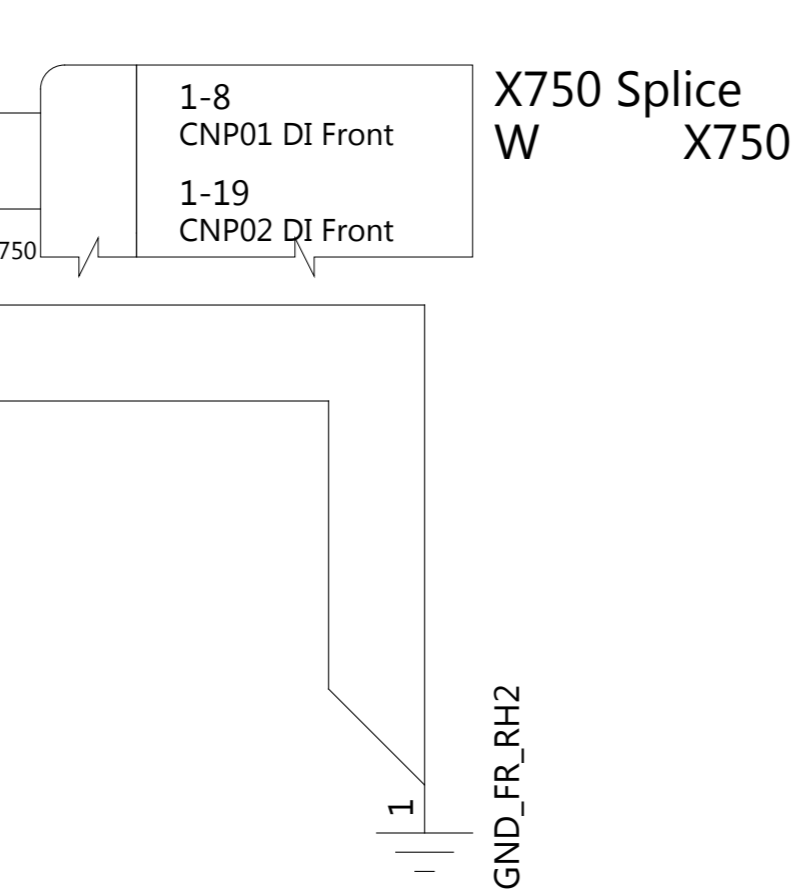
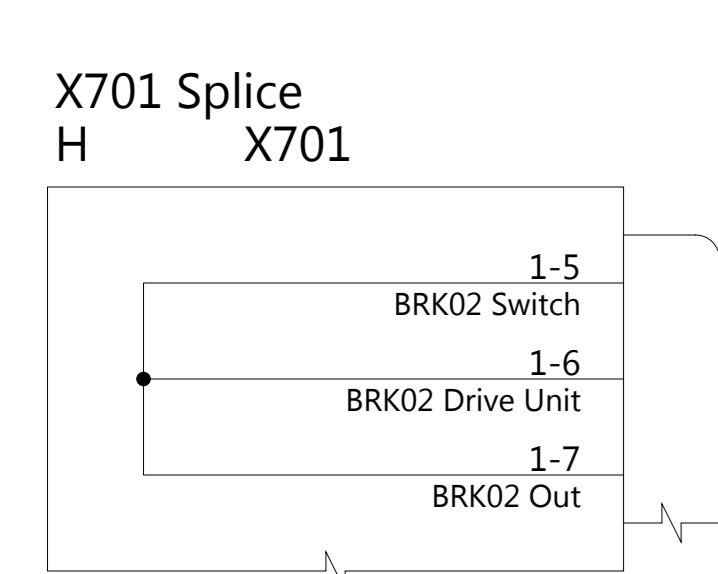
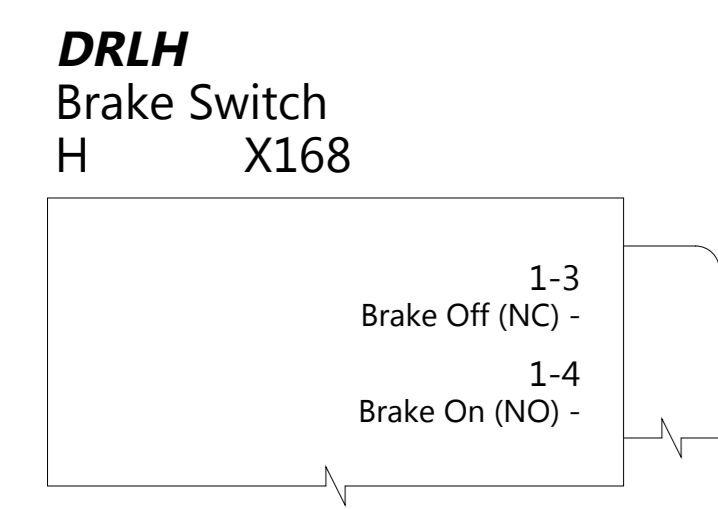
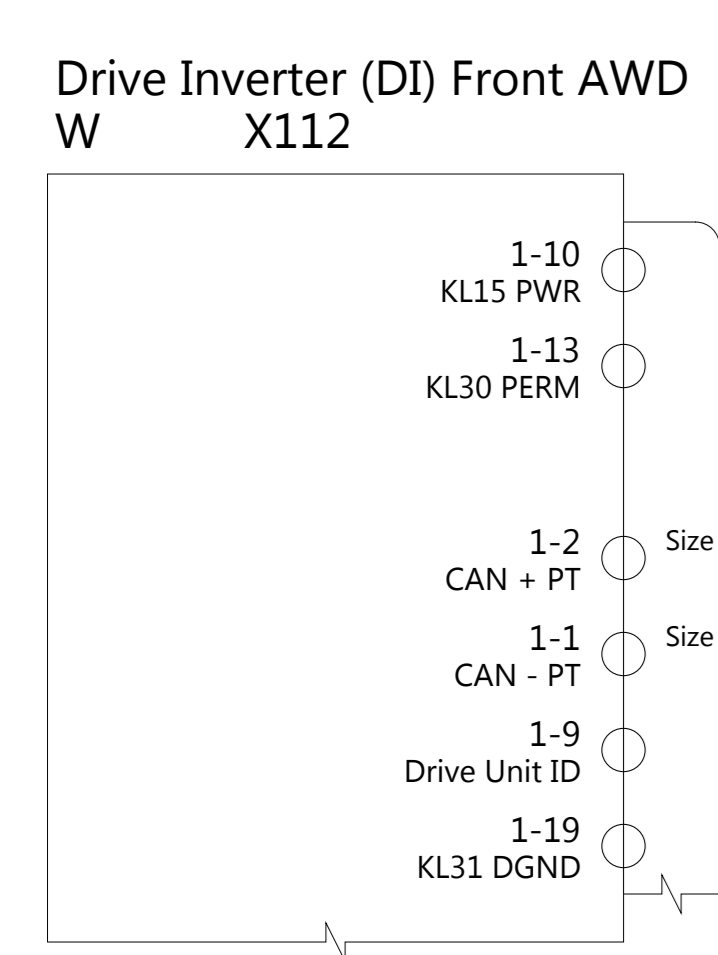
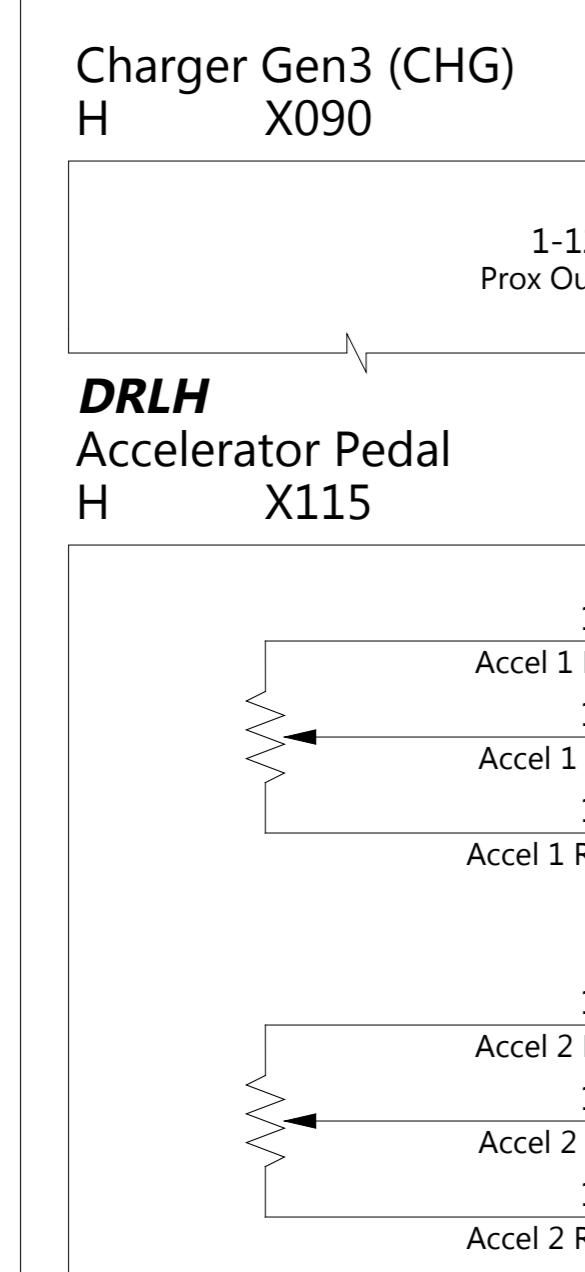
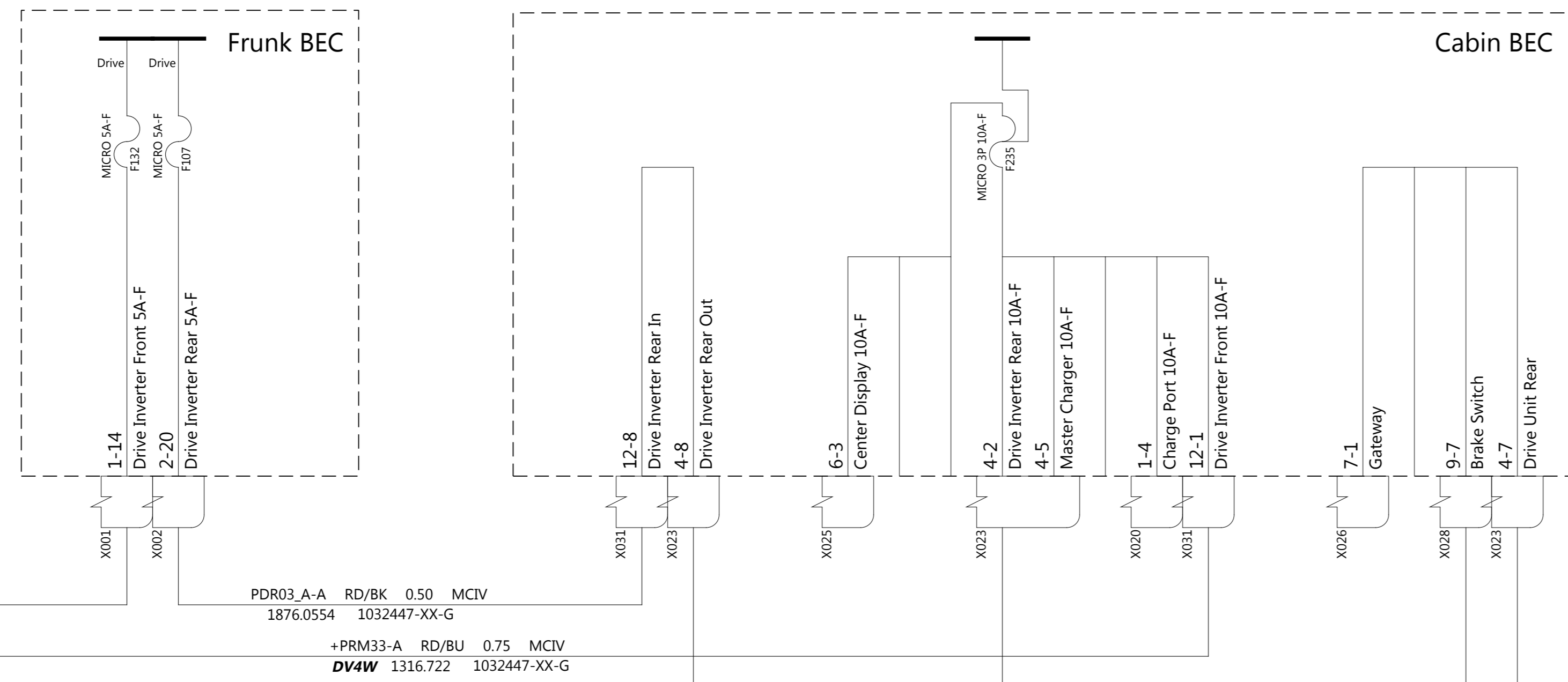
THE INFORMATION CONTAINED HEREIN IS DEEMED TO BE CONFIDENTIAL, PROPRIETARY, AND A TRADE SECRET OF TESLA MOTORS. THIS INFORMATION MAY NOT BE USED, REPRODUCED, OR DISCLOSED AS THE DIRECT OR INDIRECT BASIS FOR THE DEVELOPMENT, MANUFACTURE, OR SALE OF PROCESSES OR PRODUCTS WITHOUT THE EXPRESSED WRITTEN CONSENT OF TESLA MOTORS.

DRAWN	CHECKED	APPROVED
-------	---------	----------

MATERIAL AS SPECIFIED	FINISHING AS SPECIFIED	SCALE NONE
--------------------------	---------------------------	---------------

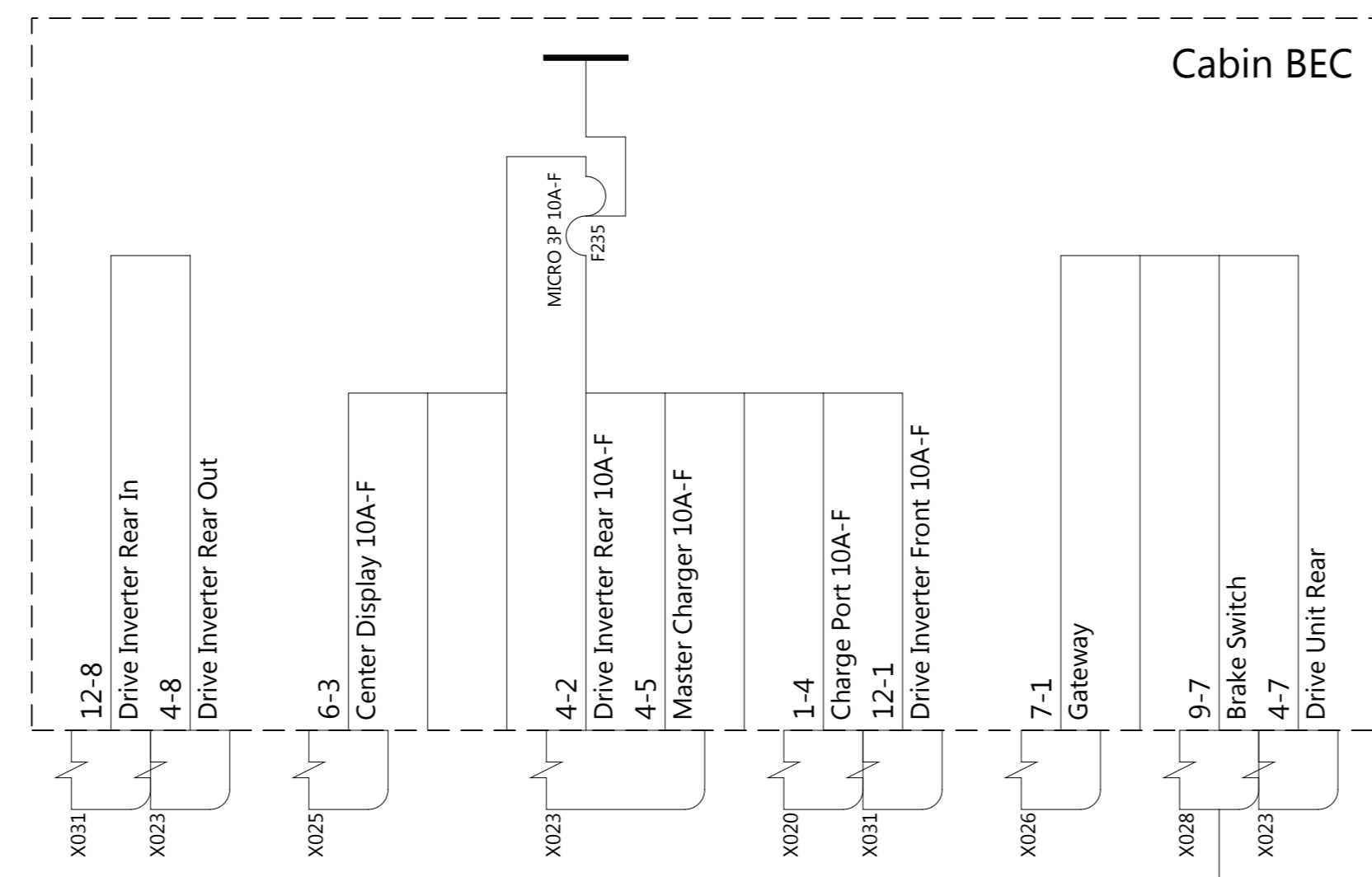
PART NAME
Door Controls - Right Rear Latches

PART NUMBER	REV	SHEET	SIZE
	2	2 OF 2	A0

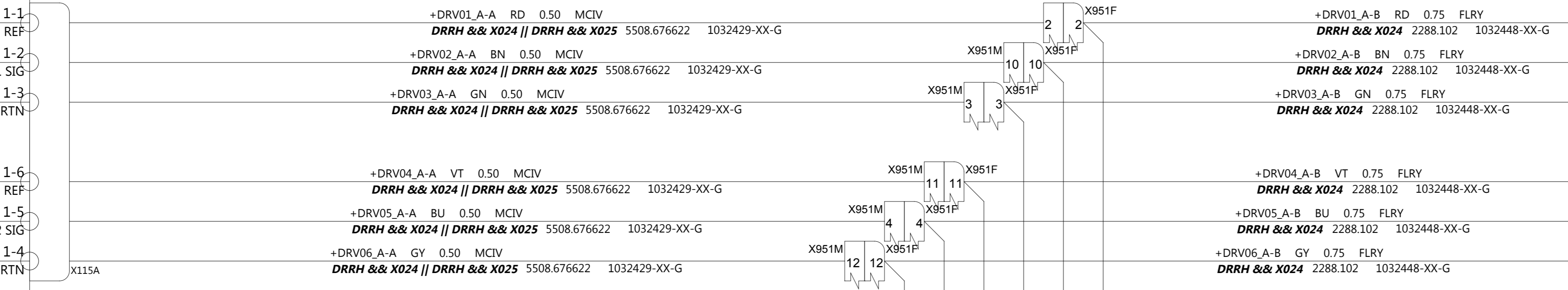
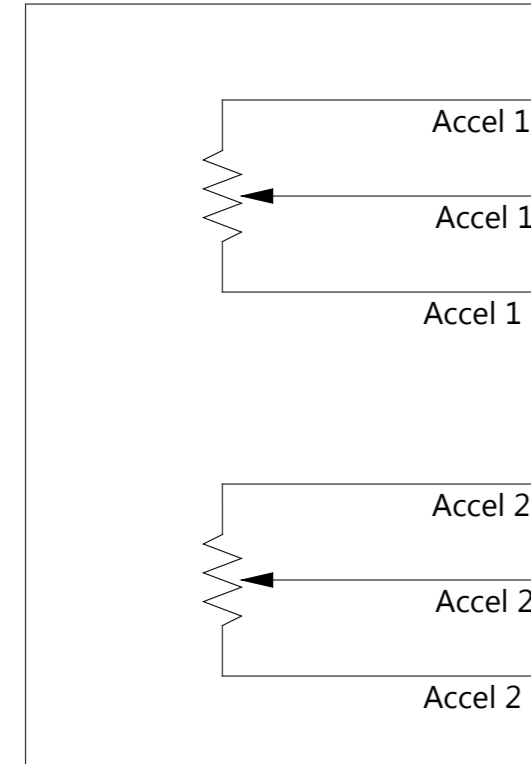


THE INFORMATION CONTAINED HEREIN IS DEEMED TO BE CONFIDENTIAL, PROPRIETARY, AND A TRADE SECRET OF TESLA MOTORS. THIS INFORMATION MAY NOT BE USED, REPRODUCED, OR DISCLOSED AS THE DIRECT OR INDIRECT BASIS FOR THE DEVELOPMENT, MANUFACTURE, OR SALE OF PROCESSES OR PRODUCTS WITHOUT THE EXPRESS WRITTEN CONSENT OF TESLA MOTORS.

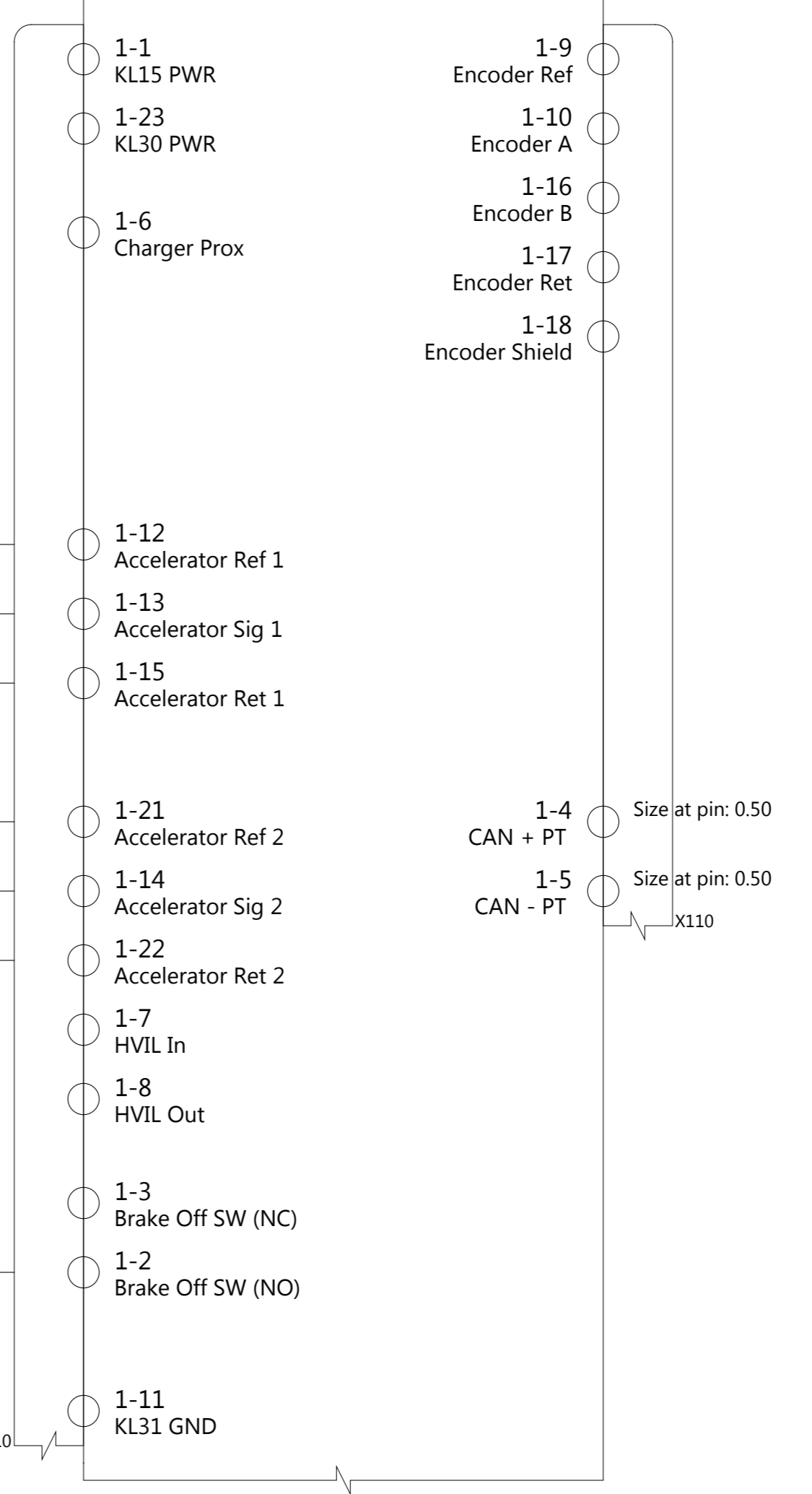
DRAWN	CHECKED	APPROVED
MATERIAL AS SPECIFIED	FINISHING AS SPECIFIED	SCALE NONE
PART NAME Drive Inverter:2:Drive Inverter (DV2)-Drive Inverter		
PART NUMBER	REV	SHEET
	2	22 OF 71
		SIZE A0



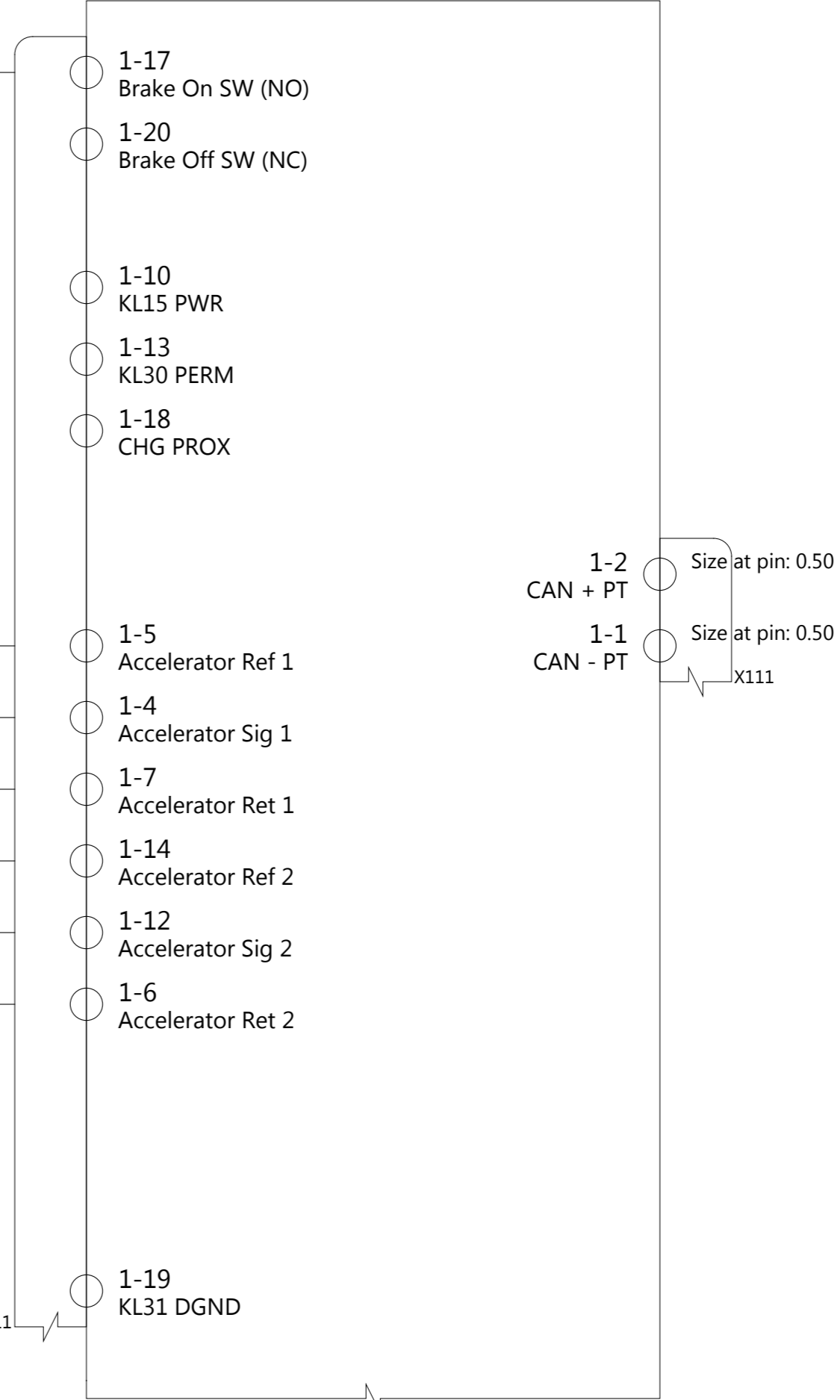
DRRH
Accelerator Pedal RHD
H X115A



X024
Drive Inverter (DI) Rear RWD
X X110



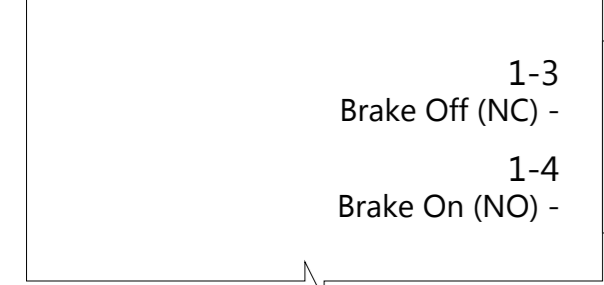
X025
Drive Inverter (DI) Rear AWD
X X111



+BRK02 A-A WH 0.35 MCV
298.640055 1032429-XX-G

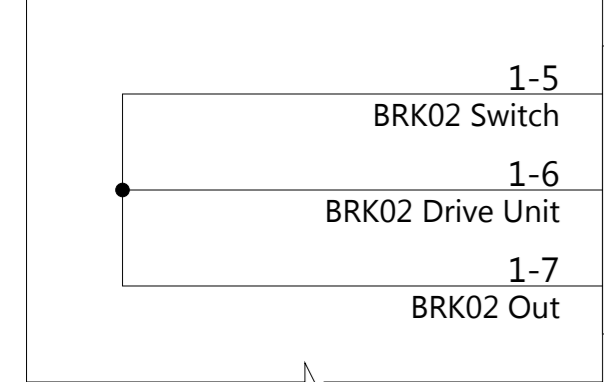
+BRK02 B-A WH 0.50 MCV
X024 // X025 5348.8235 1032429-XX-G

DRRH
Brake Switch RHD
H X168A



+BRK02 A-A-A WH 0.35 MCV
298.640055 1032429-XX-G

X701 Splice
H X701



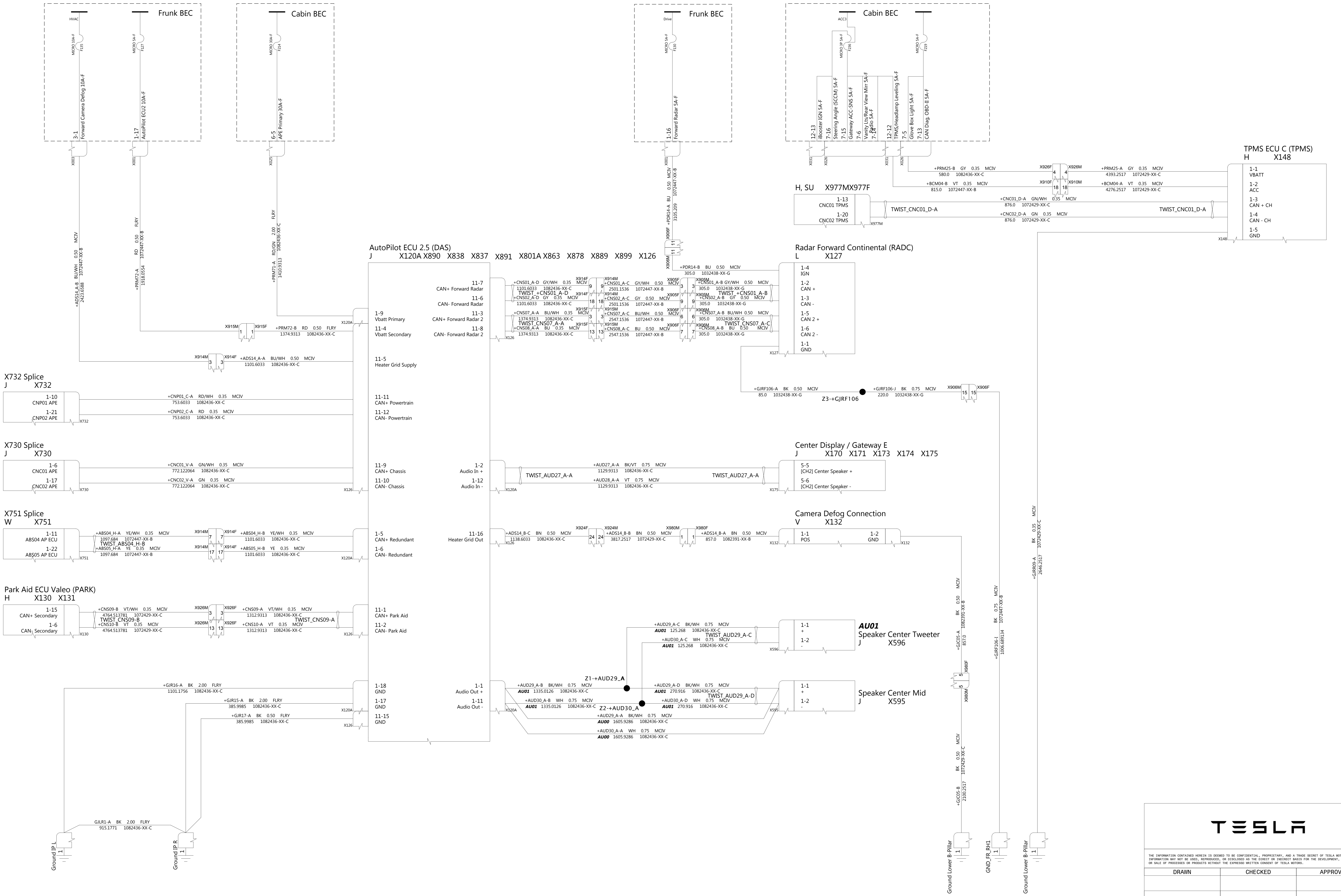
THE INFORMATION CONTAINED HEREIN IS DEEMED TO BE CONFIDENTIAL, PROPRIETARY, AND A TRADE SECRET OF TESLA MOTORS. THIS INFORMATION MAY NOT BE USED, REPRODUCED, OR DISCLOSED TO THE EXTENT OR IN MANNER THAT WOULD BE DETRIMENTAL TO THE INTERESTS OF TESLA MOTORS.

DRAWN	CHECKED	APPROVED

MATERIAL	FINISHING	SCALE
AS SPECIFIED	AS SPECIFIED	NONE

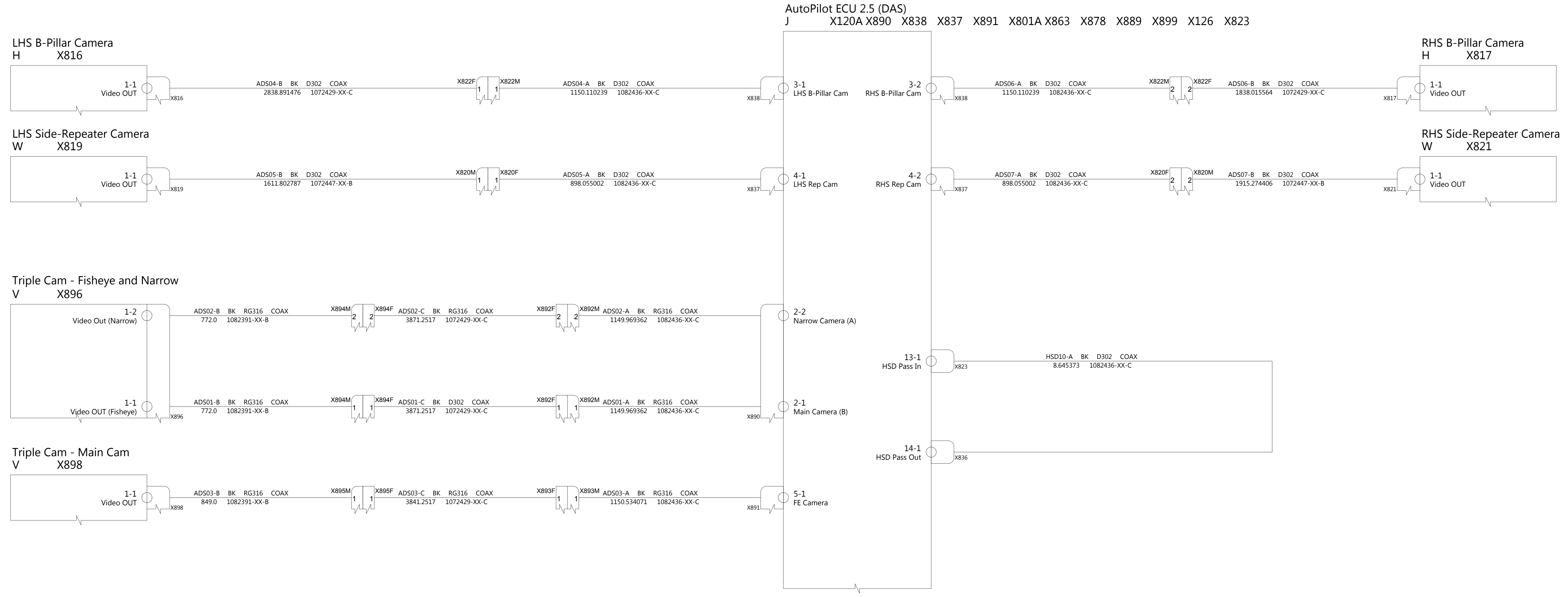
PART NAME
Drive Inverter:2:Drive Inverter (DV2)-Drive Inverter P2 - RHD

PART NUMBER	REV	SHEET	SIZE
	1	23 OF 71	A0



THE INFORMATION CONTAINED HEREIN IS DEEMED TO BE CONFIDENTIAL, PROPRIETARY, AND A TRADE SECRET OF TESLA MOTORS. THIS INFORMATION MAY NOT BE USED, REPRODUCED, OR DISCLOSED AS THE OBJECT OR INSTRUMENT BASIS FOR THE DEVELOPMENT, MANUFACTURE, OR SALE OF PRODUCTS OR PRODUCTS WITHOUT THE EXPRESS WRITTEN CONSENT OF TESLA MOTORS.

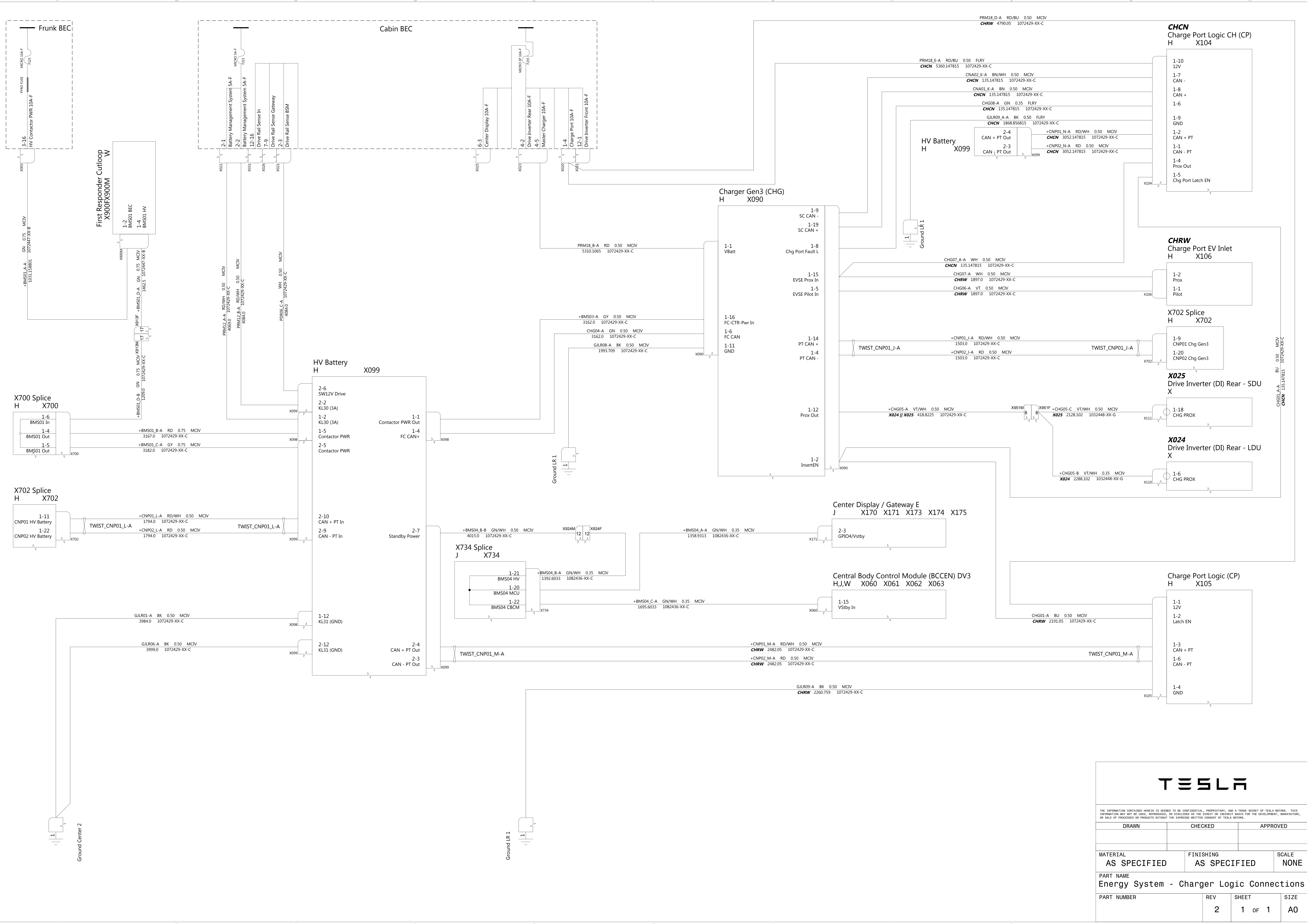
DRAWN	CHECKED	APPROVED
MATERIAL AS SPECIFIED	FINISHING AS SPECIFIED	SCALE NONE
PART NAME Driver Assistance p1		
PART NUMBER	REV	SHEET
	6	1 OF 2
		SCALE A0



TESLA

THE INFORMATION CONTAINED HEREIN IS DEEMED TO BE CONFIDENTIAL, PROPRIETARY, AND A TRADE SECRET OF TESLA MOTORS. THIS INFORMATION MAY NOT BE USED, REPRODUCED, OR DISCLOSED AS THE DIRECT OR INDIRECT BASIS FOR THE DEVELOPMENT, MANUFACTURE, OR SALE OF PROCESSES OR PRODUCTS WITHOUT THE EXPRESS WRITTEN CONSENT OF TESLA MOTORS.

DRAWN		CHECKED		APPROVED	
MATERIAL AS SPECIFIED		FINISHING AS SPECIFIED		SCALE NONE	
PART NAME Driver Assistance p2					
PART NUMBER		REV 6	SHEET 2 OF 2	SIZE A0	



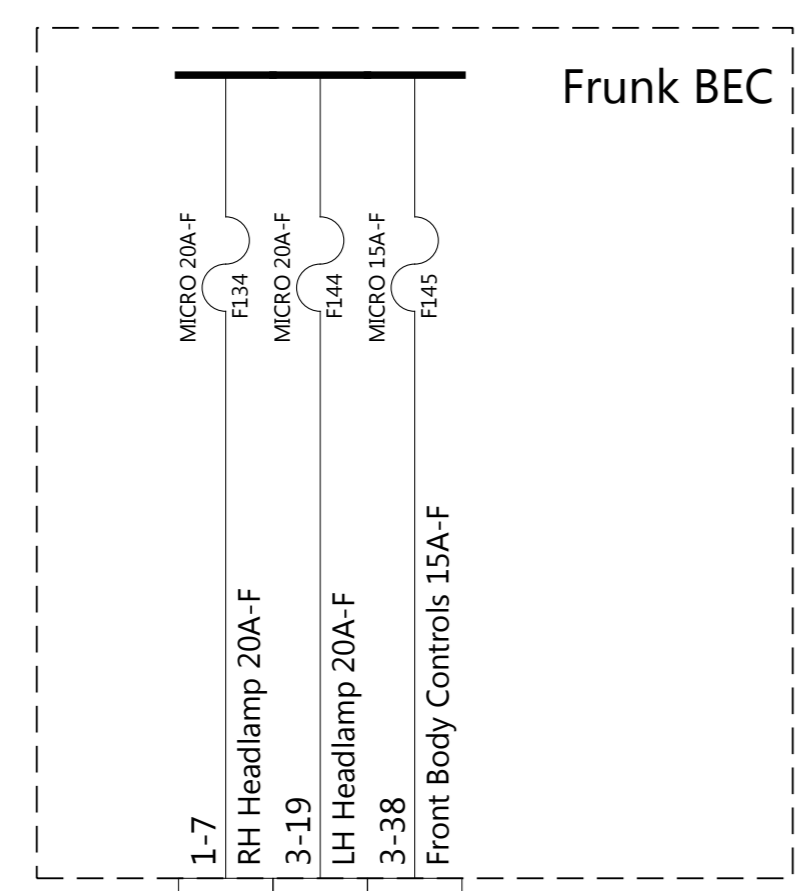
THE INFORMATION CONTAINED HEREIN IS DEEMED TO BE CONFIDENTIAL, PROPRIETARY, AND A TRADE SECRET OF TESLA MOTORS. THIS INFORMATION MAY NOT BE USED, REPRODUCED, OR DISCLOSED AS THE DIRECT OR INDIRECT BASIS FOR THE DEVELOPMENT, MANUFACTURE, OR SALE OF PRODUCTS OR SERVICES WITHOUT THE EXPRESS WRITTEN CONSENT OF TESLA MOTORS.

DRAWN	CHECKED	APPROVED

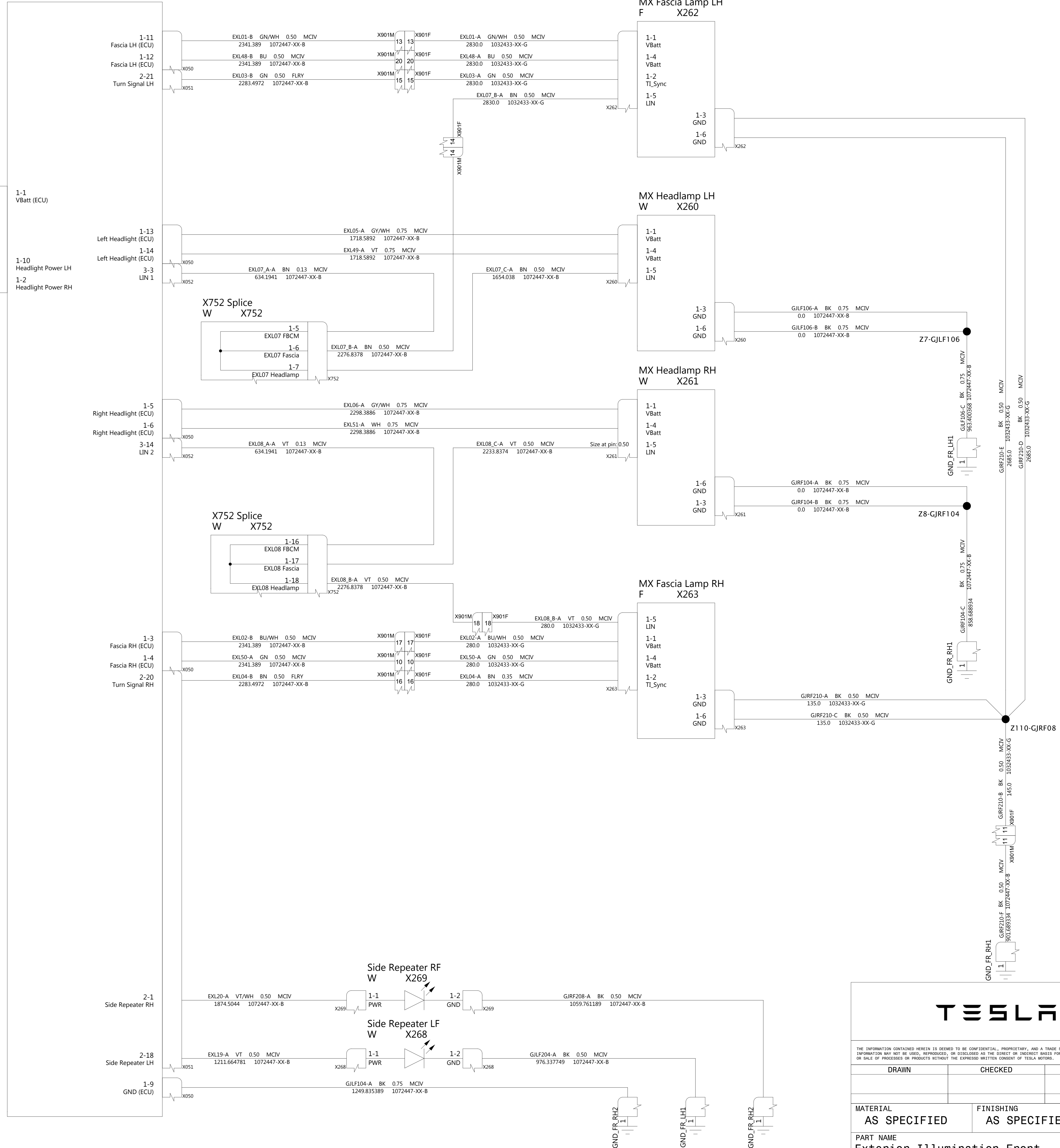
MATERIAL	FINISHING	SCALE
AS SPECIFIED	AS SPECIFIED	NONE

PART NAME
Energy System - Charger Logic Connections

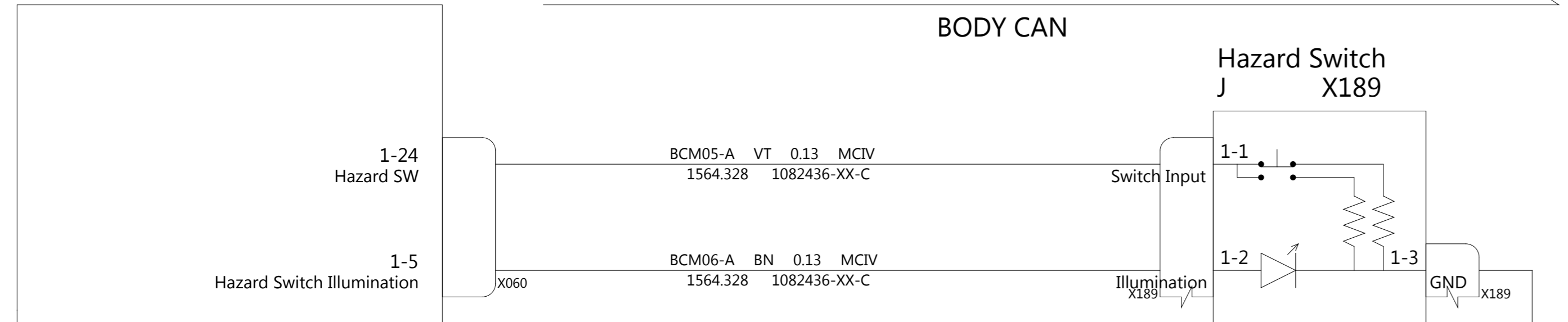
PART NUMBER	REV	SHEET	SIZE
	2	1 OF 1	A0



Front Body Control Module (BCFRONT) DV3
W X050 X051 X052



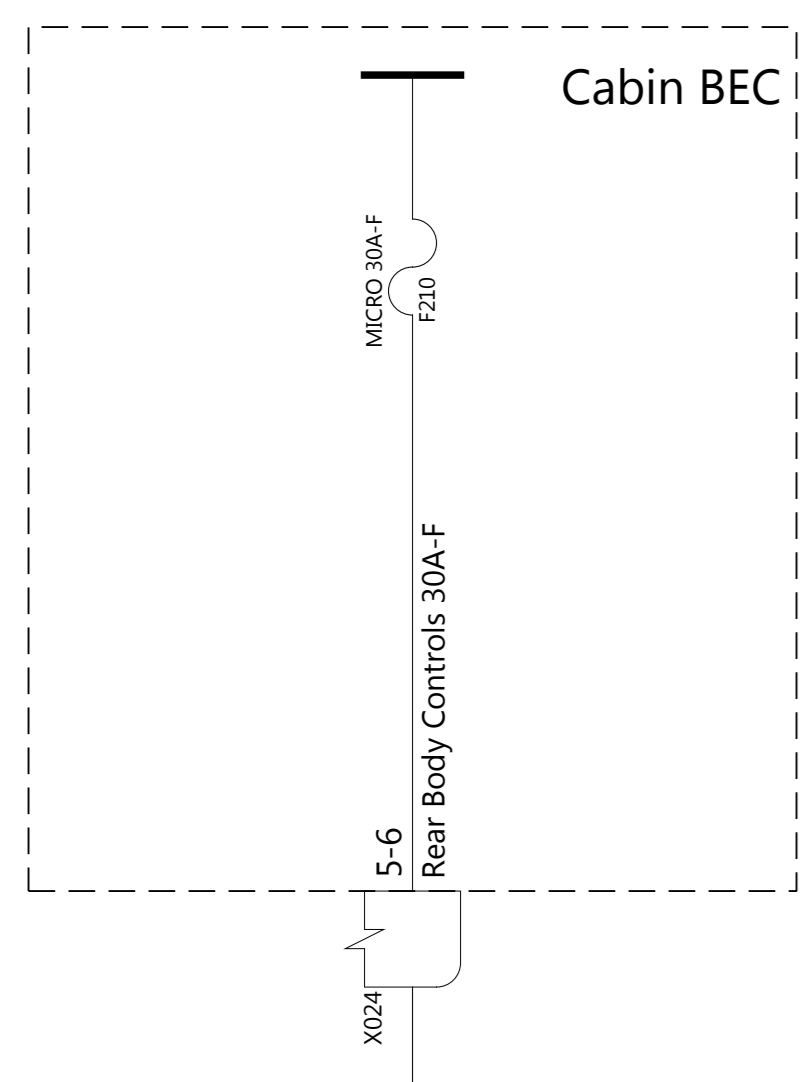
Central Body Control Module (BCCEN) DV3
H,J,W X060 X061 X062 X063



TESLA

THE INFORMATION CONTAINED HEREIN IS DEEMED TO BE CONFIDENTIAL, PROPRIETARY, AND A TRADE SECRET OF TESLA MOTORS. THIS INFORMATION MAY NOT BE USED, REPRODUCED, OR DISCLOSED AS THE DIRECT OR INDIRECT BASIS FOR THE DEVELOPMENT, MANUFACTURE, OR SALE OF PROCESSES OR PRODUCTS WITHOUT THE EXPRESS WRITTEN CONSENT OF TESLA MOTORS.

DRAWN	CHECKED	APPROVED
MATERIAL AS SPECIFIED	FINISHING AS SPECIFIED	SCALE NONE
PART NAME Exterior Illumination Front		
PART NUMBER	REV 3	SHEET 1 of 1
		SIZE AO



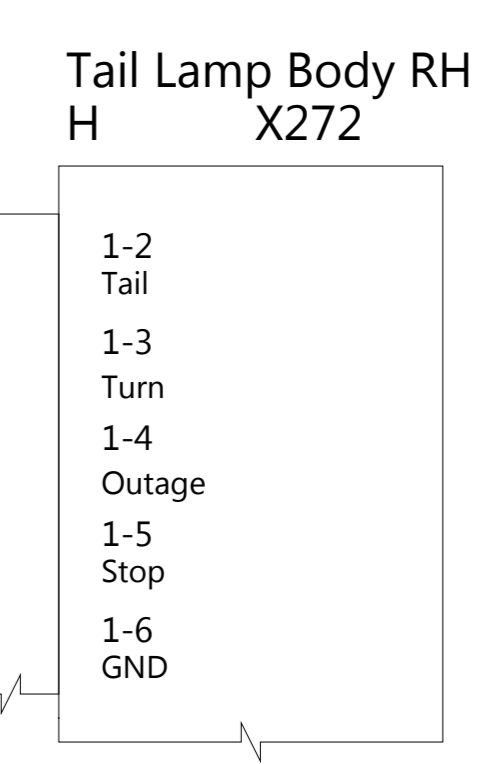
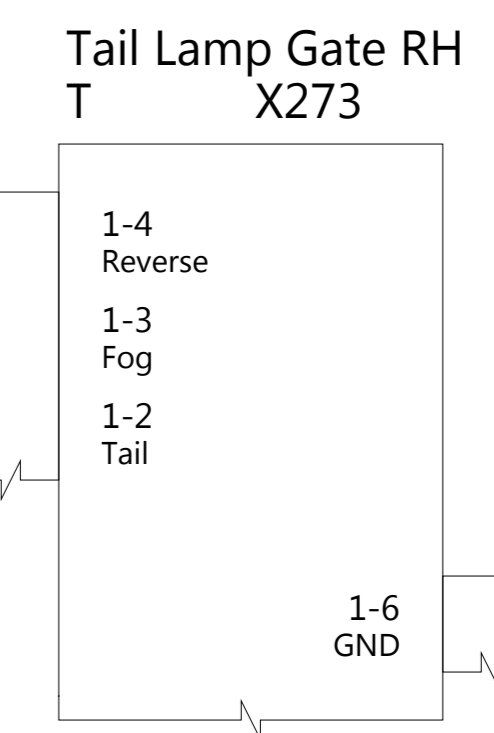
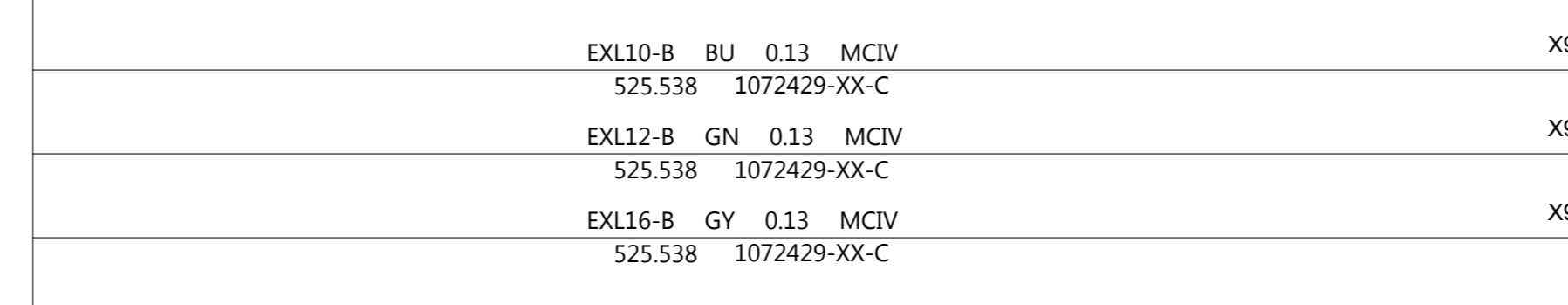
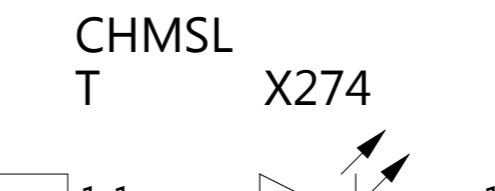
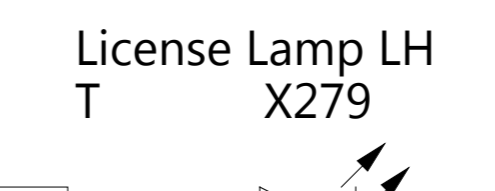
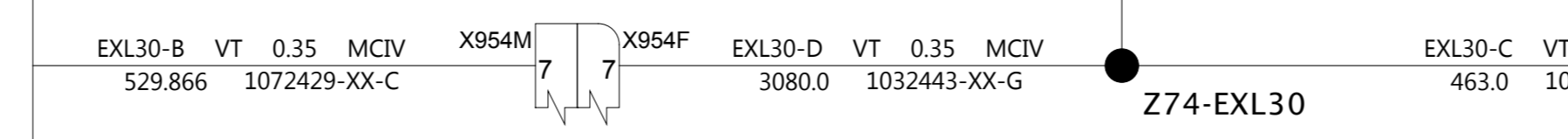
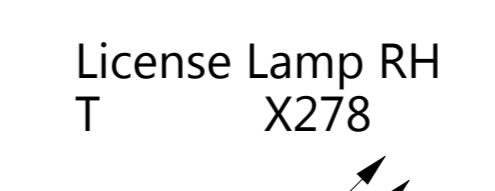
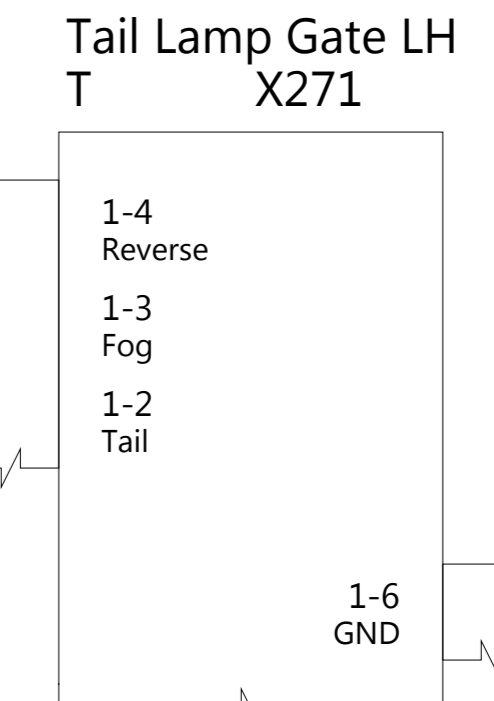
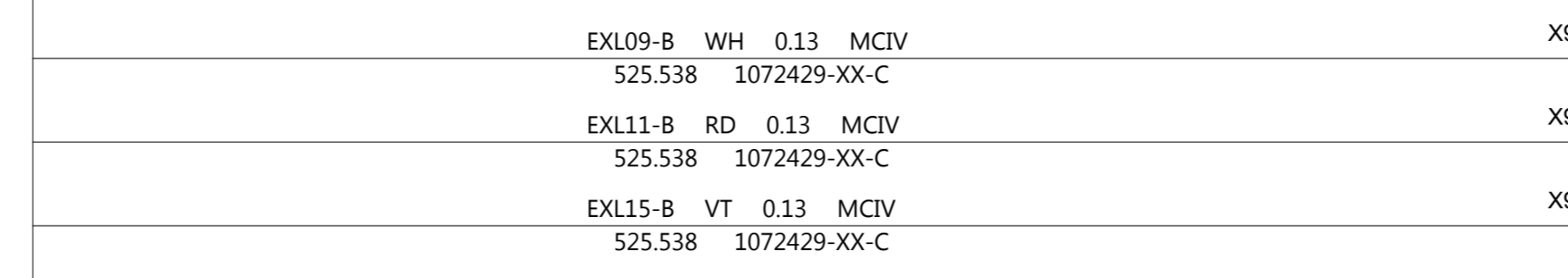
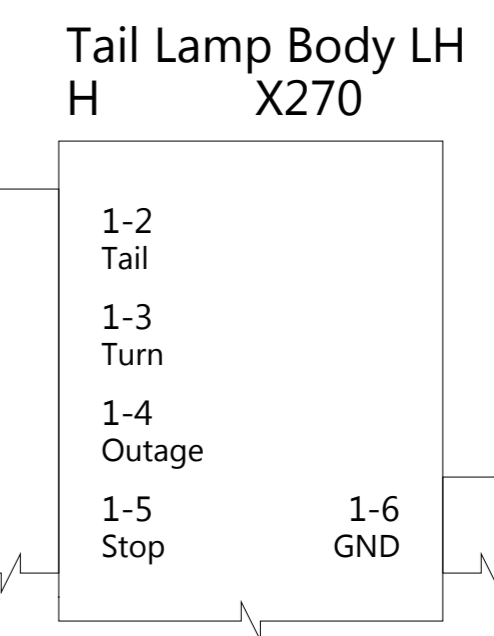
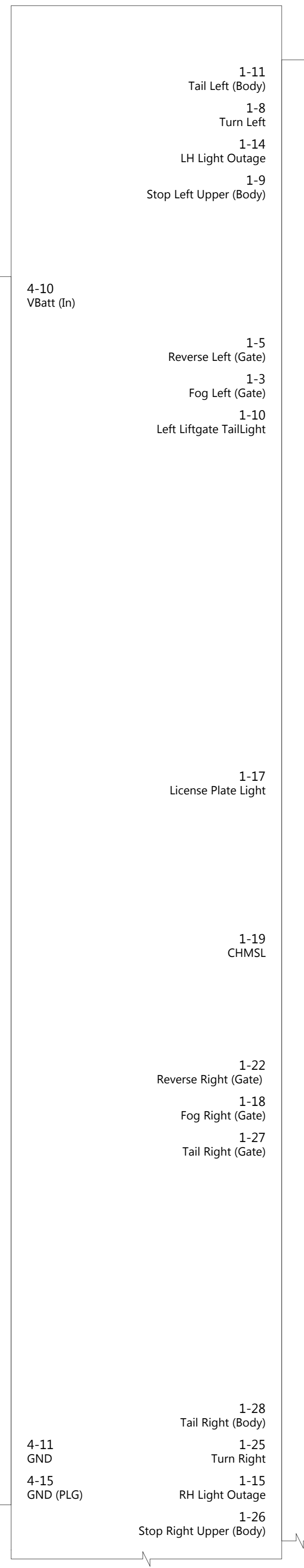
Rear Body Control Module (BCREAR) DV3
H X070 X071 X072 X073 X078

PRM103-A BN 150 MCV
4479.0 1072429-XX-C

+GILR209-A BK 1.00 MCV
2144.709 1072429-XX-C

GILR205-A BK 2.00 FLYR
2144.709 1072429-XX-C

Ground LR 1



GILR12-A BK 0.50 MCV
1452.0 1072429-XX-C

GILR205-A BK 0.50 MCV
2144.709 1072429-XX-C

Ground LR 1



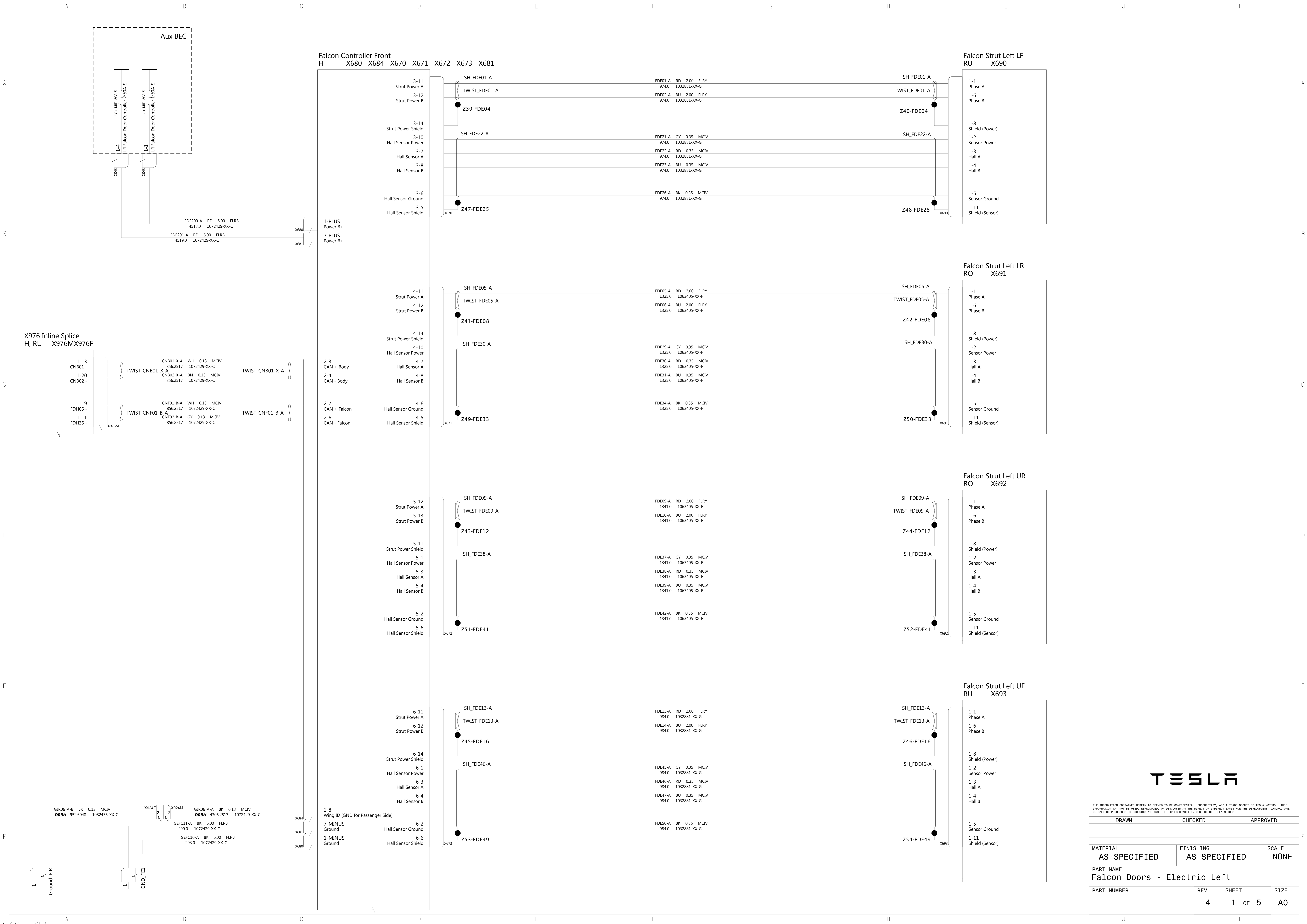
THE INFORMATION CONTAINED HEREIN IS DEEMED TO BE CONFIDENTIAL, PROPRIETARY, AND A TRADE SECRET OF TESLA MOTORS. THIS INFORMATION MAY NOT BE USED, REPRODUCED, OR DISCLOSED AS THE OBJECT OR INDIRECT BASIS FOR THE DEVELOPMENT, MANUFACTURE, OR SALE OF PROCESSES OR PRODUCTS WITHOUT THE EXPRESSED WRITTEN CONSENT OF TESLA MOTORS.

DRAWN	CHECKED	APPROVED
-------	---------	----------

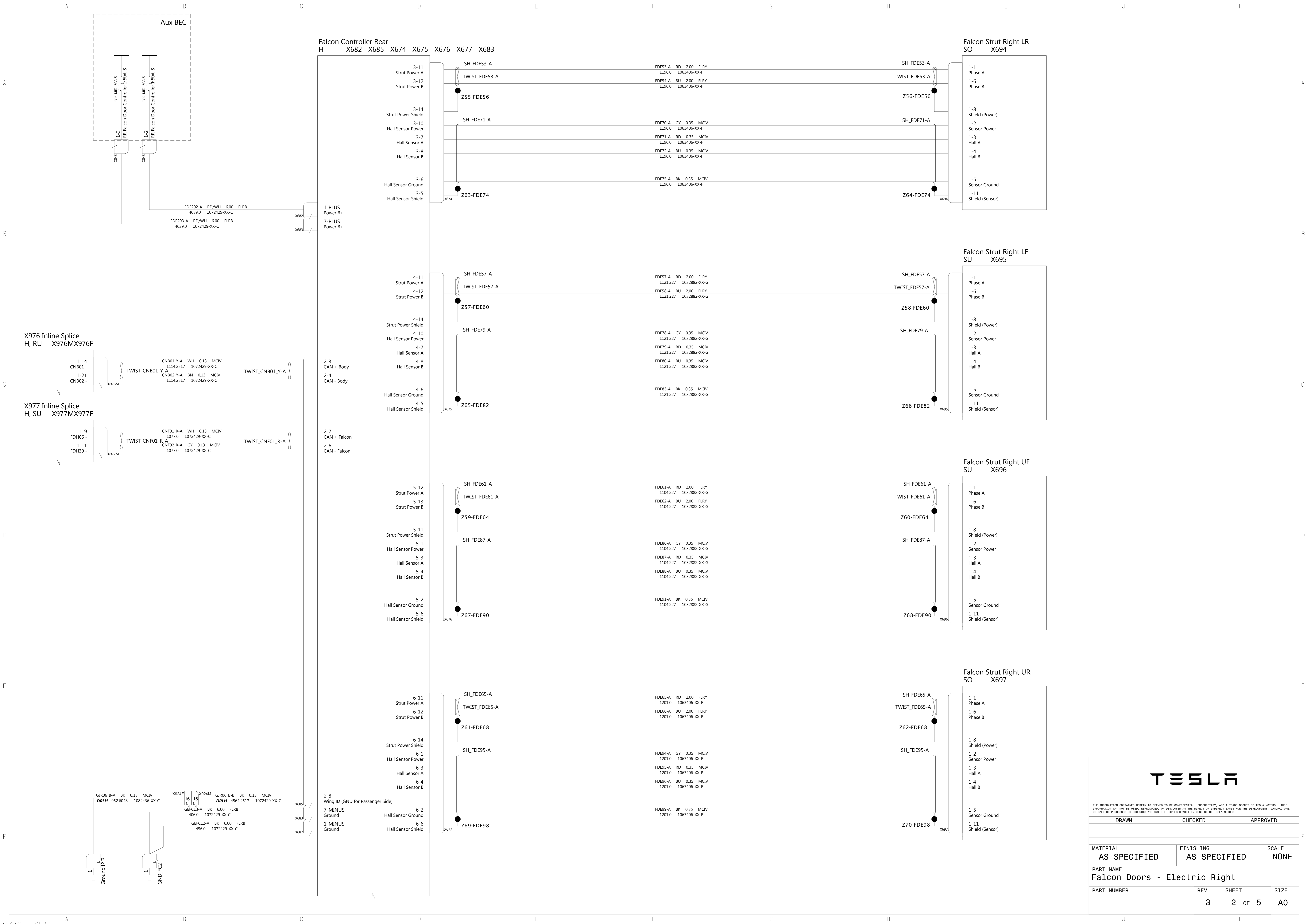
MATERIAL AS SPECIFIED	FINISHING AS SPECIFIED	SCALE NONE
--------------------------	---------------------------	---------------

PART NAME
Exterior Illumination Rear

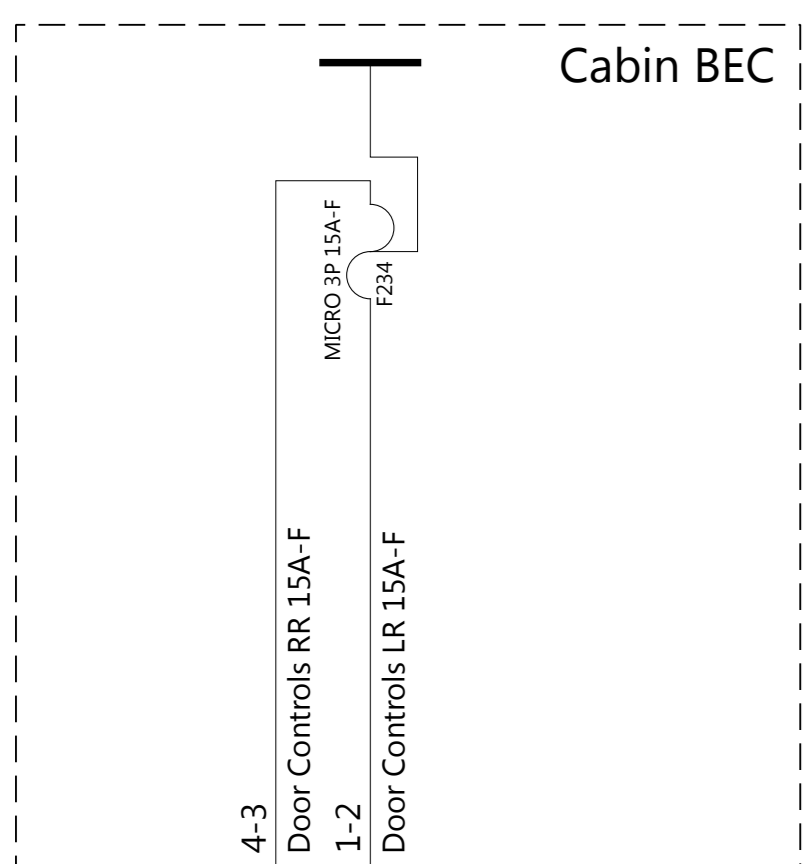
PART NUMBER	REV	SHEET	SIZE
	1	1 OF 1	A0



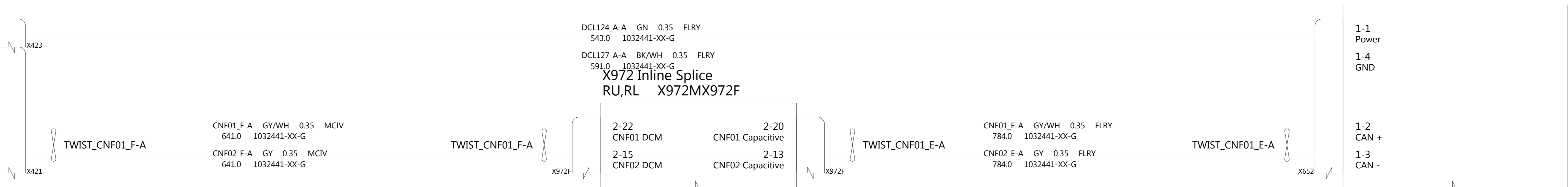
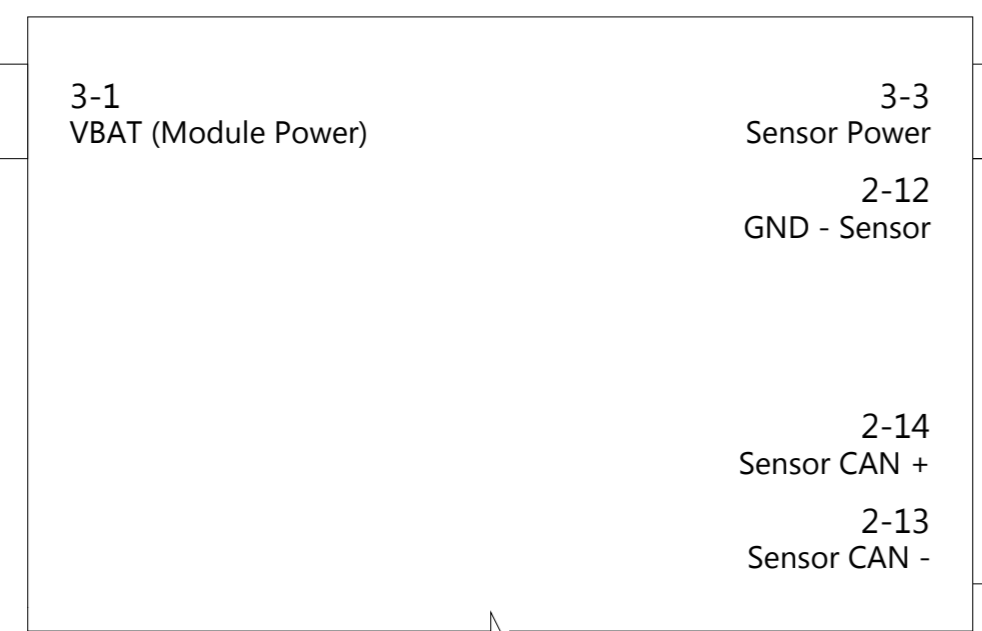
TESLA			
THE INFORMATION CONTAINED HEREIN IS DEEMED TO BE CONFIDENTIAL, PROPRIETARY, AND A TRADE SECRET OF TESLA MOTORS. THIS INFORMATION MAY NOT BE USED, REPRODUCED, OR DISCLOSED AS THE DIRECT OR INDIRECT BASIS FOR THE DEVELOPMENT, MANUFACTURE, OR SALE OF PROCESSES OR PRODUCTS WITHOUT THE EXPRESS WRITTEN CONSENT OF TESLA MOTORS.			
DRAWN	CHECKED	APPROVED	
MATERIAL AS SPECIFIED	FINISHING AS SPECIFIED	SCALE NONE	
PART NAME Falcon Doors - Electric Left			
PART NUMBER	REV 4	SHEET 1 of 5	SIZE AO



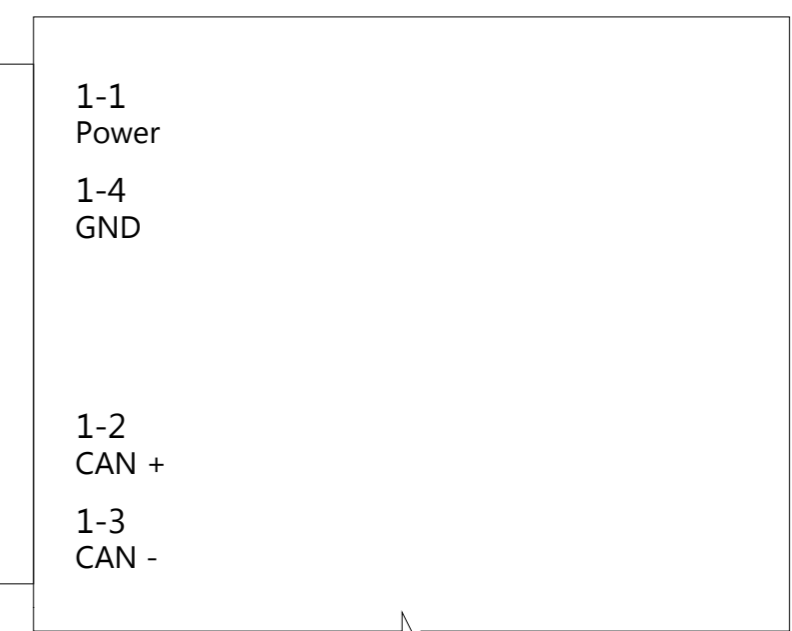
TESLA			
THE INFORMATION CONTAINED HEREIN IS DEEMED TO BE CONFIDENTIAL, PROPRIETARY, AND A TRADE SECRET OF TESLA MOTORS. THIS INFORMATION MAY NOT BE USED, REPRODUCED, OR DISCLOSED AS THE DIRECT OR INDIRECT BASIS FOR THE DEVELOPMENT, MANUFACTURE, OR SALE OF PROCESSES OR PRODUCTS WITHOUT THE EXPRESS WRITTEN CONSENT OF TESLA MOTORS.			
DRAWN	CHECKED	APPROVED	
MATERIAL AS SPECIFIED	FINISHING AS SPECIFIED	SCALE NONE	
PART NAME Falcon Doors - Electric Right			
PART NUMBER	REV 3	SHEET 2 of 5	SIZE A0



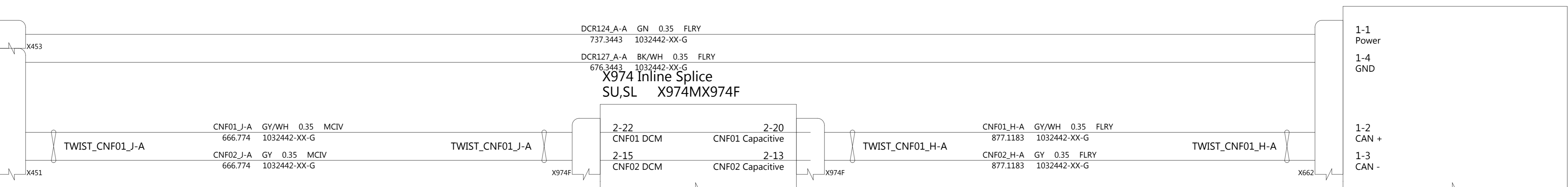
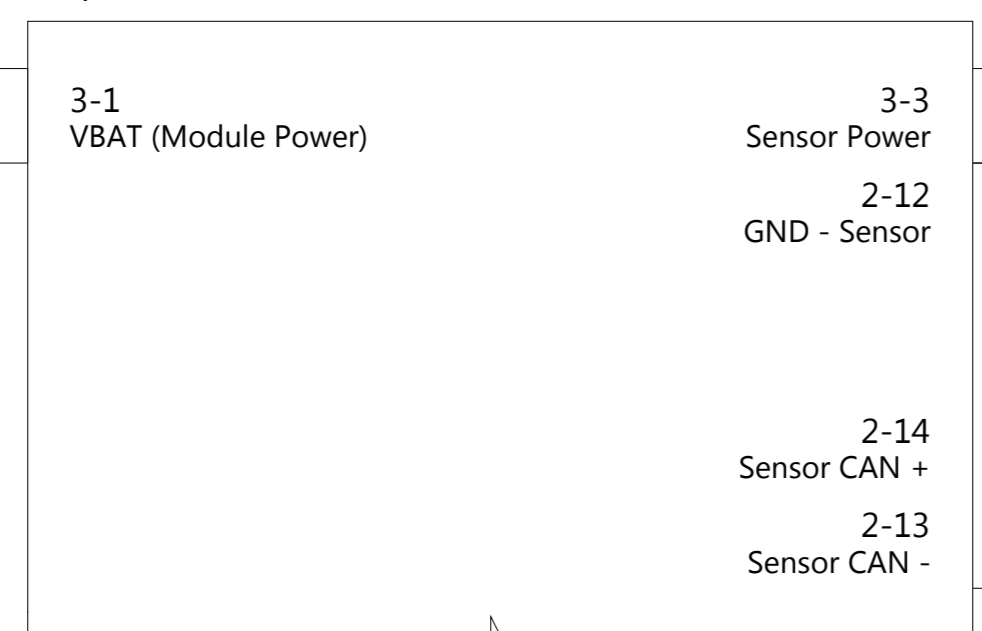
Door Control Module LR (BCRDM) DV3
RL,RT X420 X421 X423



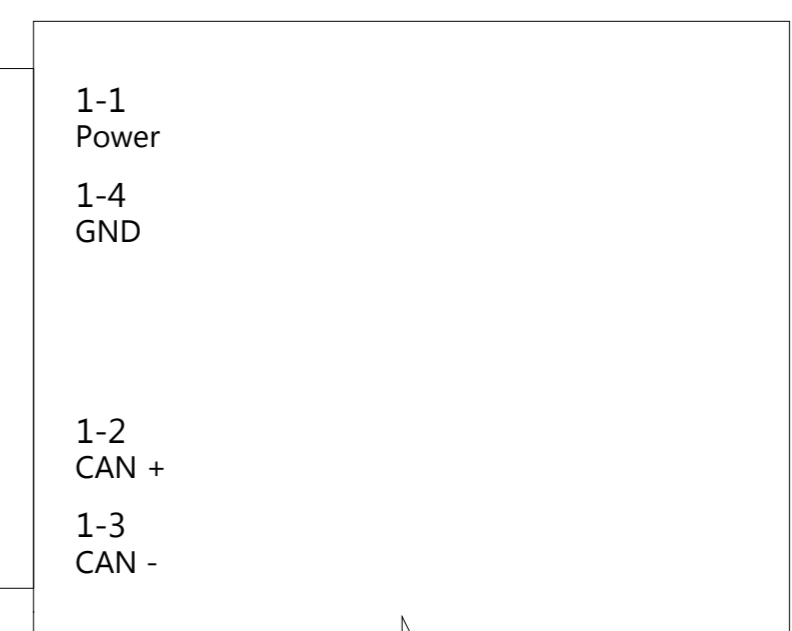
Capacitive Sensor Lower - RL
RL X652



Door Control Module RR (BCRPM) DV3
SL,ST X450 X451 X453

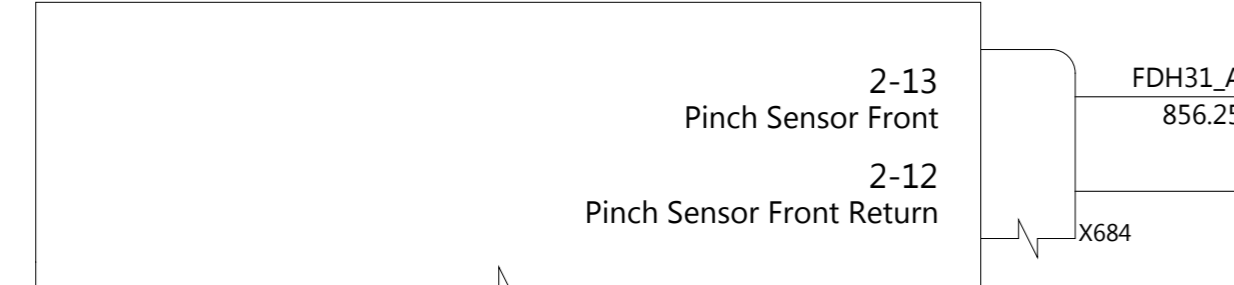


Capacitive Sensor Lower - RR
SL X662

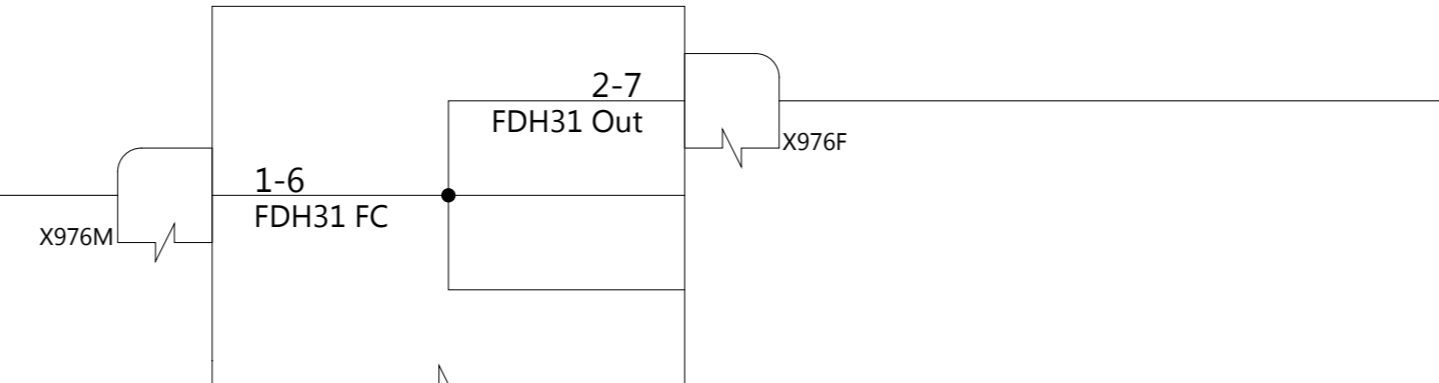


DRAWN				CHECKED		APPROVED	
MATERIAL AS SPECIFIED		FINISHING AS SPECIFIED		SCALE NONE		PART NAME Falcon Doors - Obstacle Sensors	
PART NUMBER			REV 4	SHEET 3 OF 5	SIZE AO		

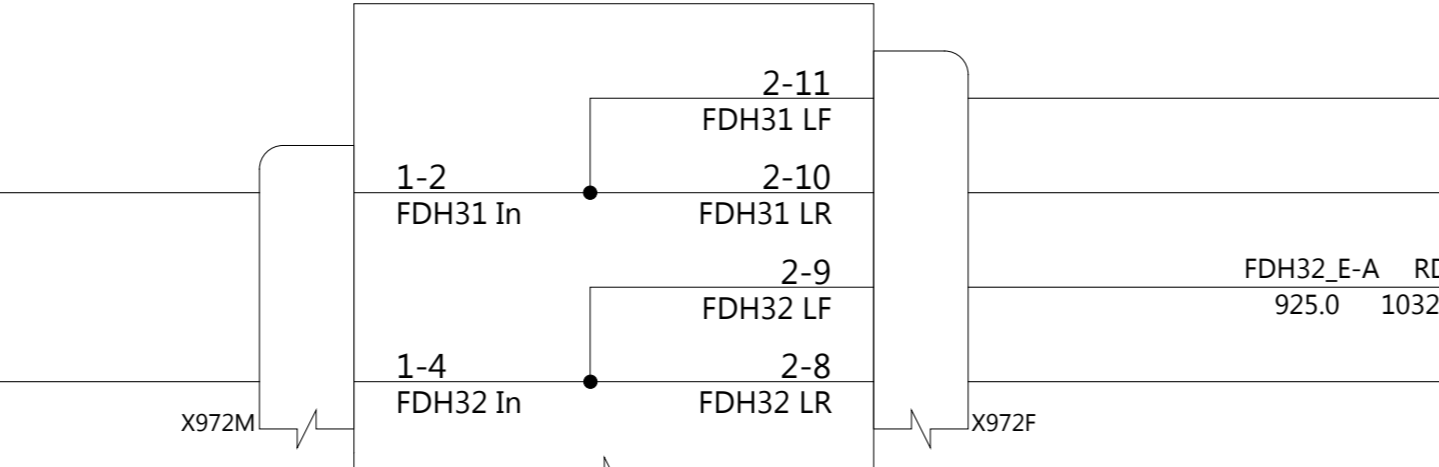
Falcon Controller Front
H X680 X684 X670 X671 X672 X673 X681



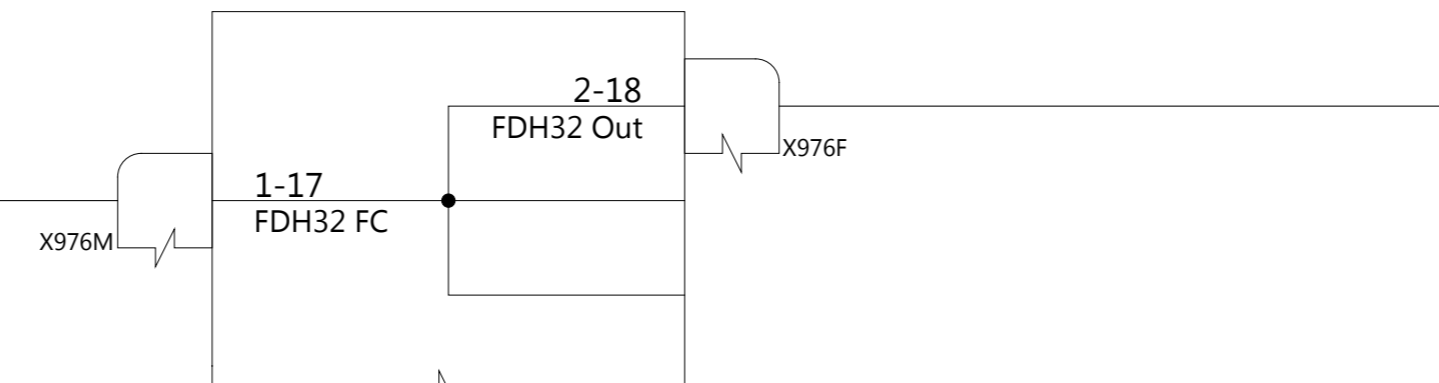
X976 Inline Splice
H, RU X976MX976F



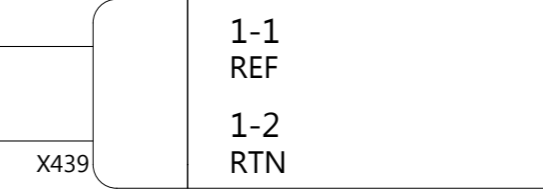
X972 Inline Splice
RU,RL X972MX972F



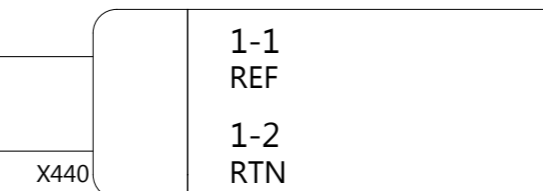
X976 Inline Splice
H, RU X976MX976F



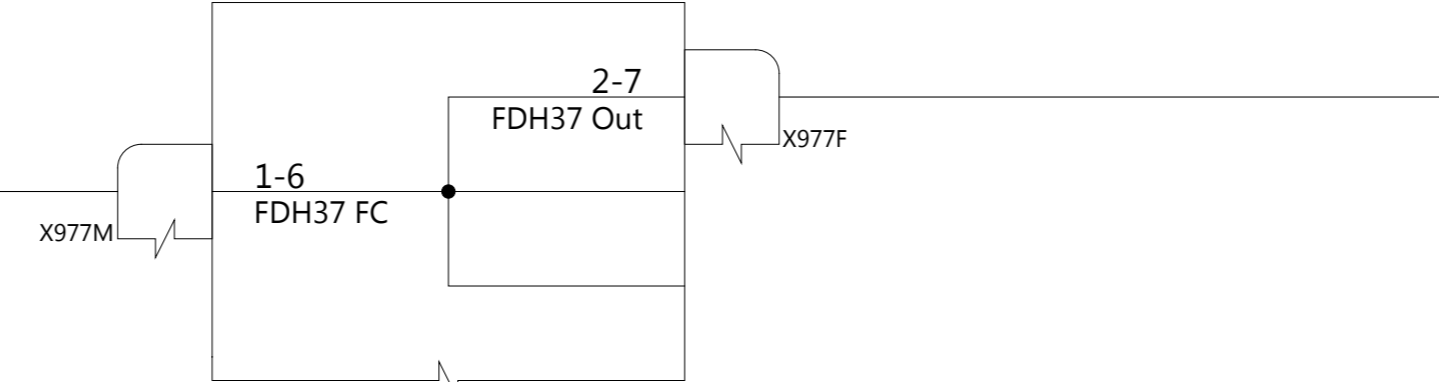
Pinch Sensor 3 LR - Lower Forward
RU X439



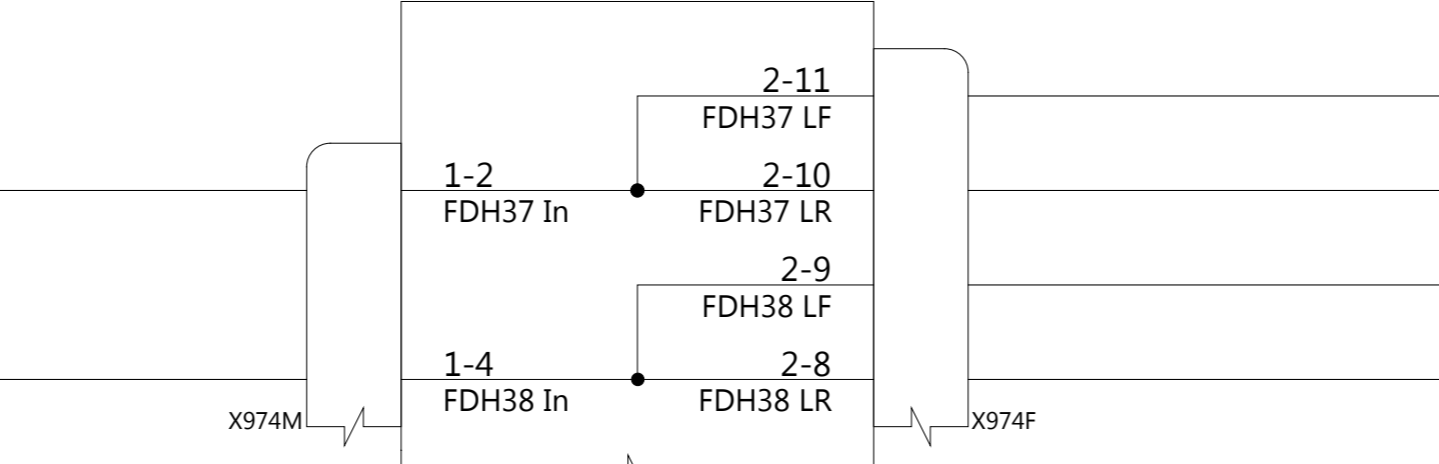
Pinch Sensor 4 LR - Lower Rear
RU X440



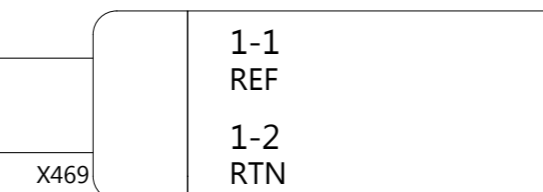
X977 Inline Splice
H, SU X977MX977F



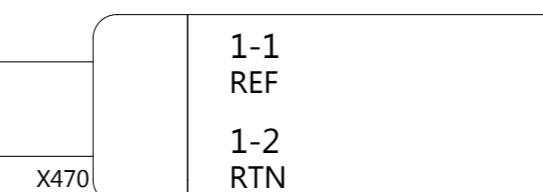
X974 Inline Splice
SU,SL X974MX974F



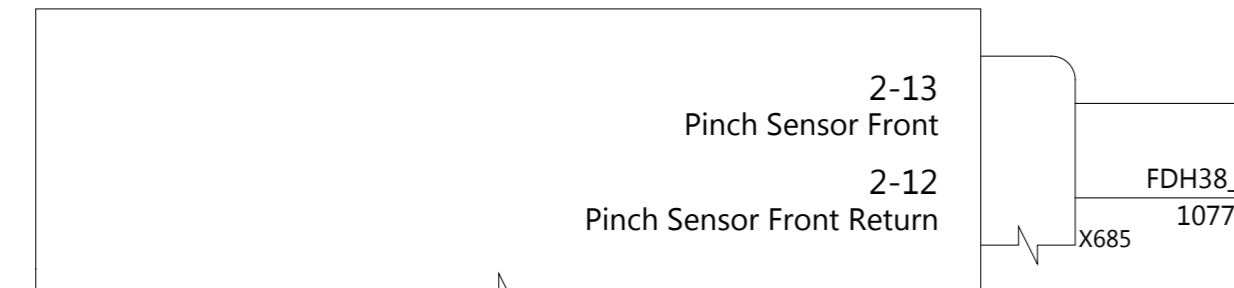
Pinch Sensor 3 RR - Lower Forward
SU X469



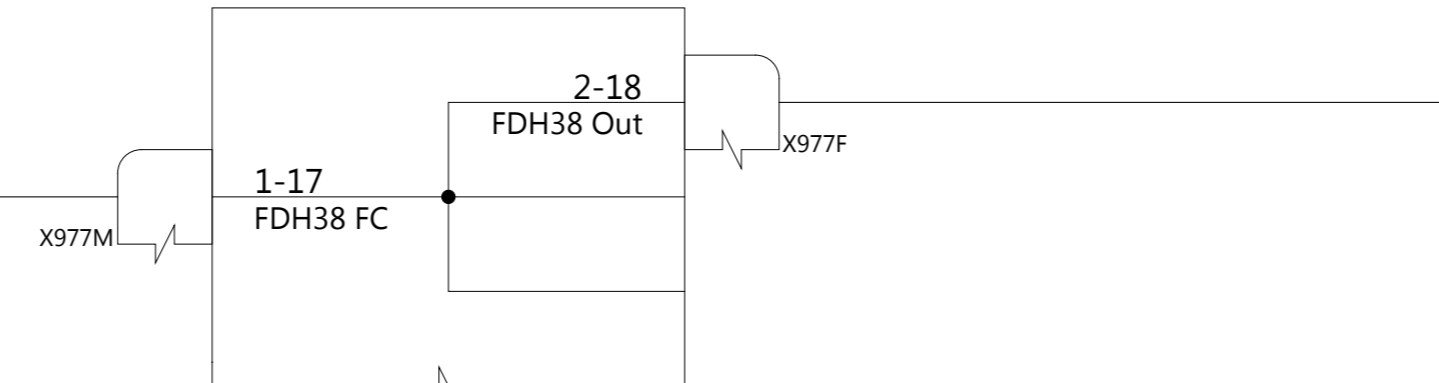
Pinch Sensor 4 RR - Lower Rear
SU X470



Falcon Controller Rear
H X682 X685 X674 X675 X676 X677 X683



X977 Inline Splice
H, SU X977MX977F



TESLA

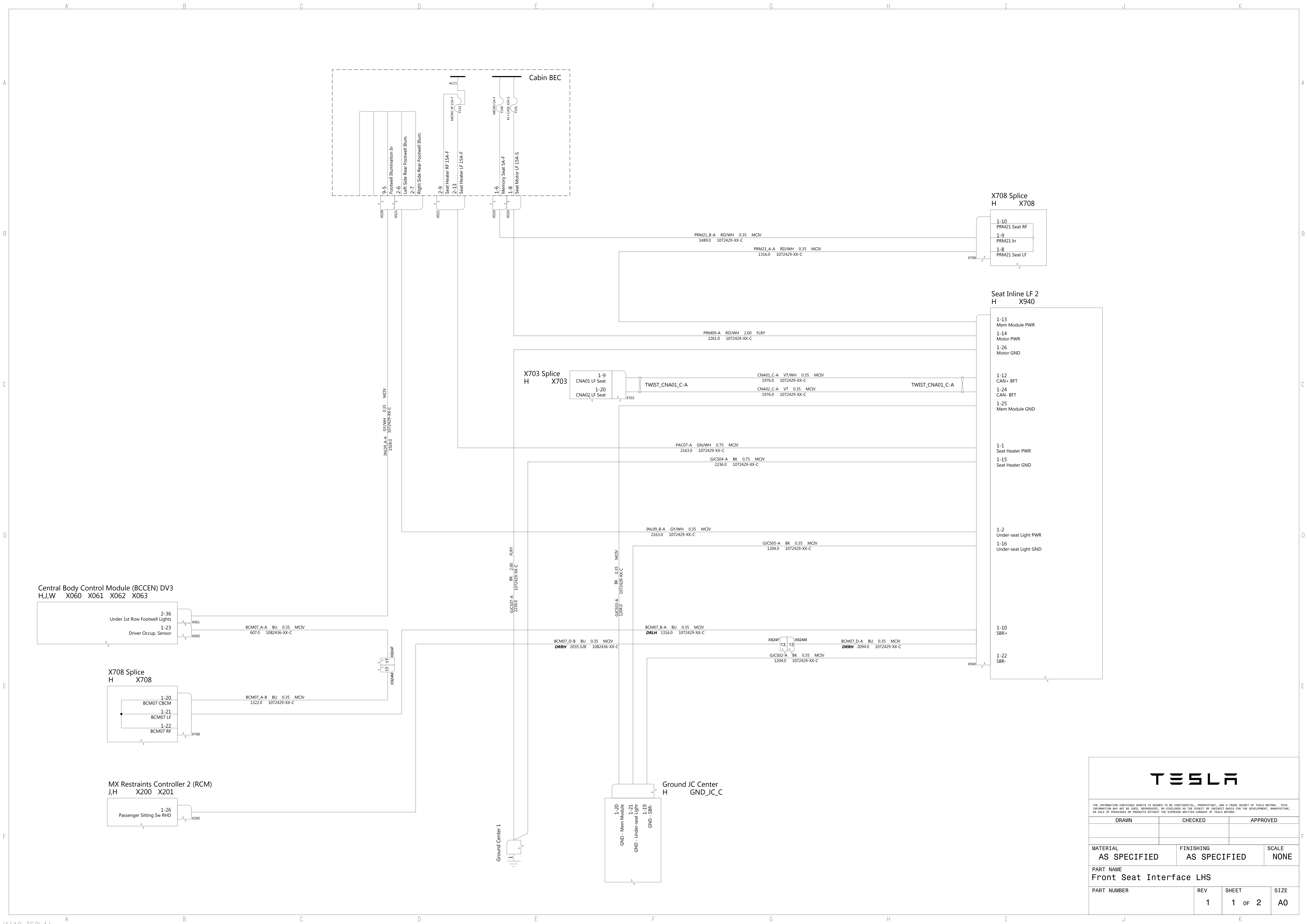
THE INFORMATION CONTAINED HEREIN IS DEEMED TO BE CONFIDENTIAL, PROPRIETARY, AND A TRADE SECRET OF TESLA MOTORS. THIS INFORMATION MAY NOT BE USED, REPRODUCED, OR DISCLOSED AS THE DIRECT OR INDIRECT BASIS FOR THE DEVELOPMENT, MANUFACTURE, OR SALE OF PROCESSES OR PRODUCTS WITHOUT THE EXPRESS WRITTEN CONSENT OF TESLA MOTORS.

DRAWN	CHECKED	APPROVED

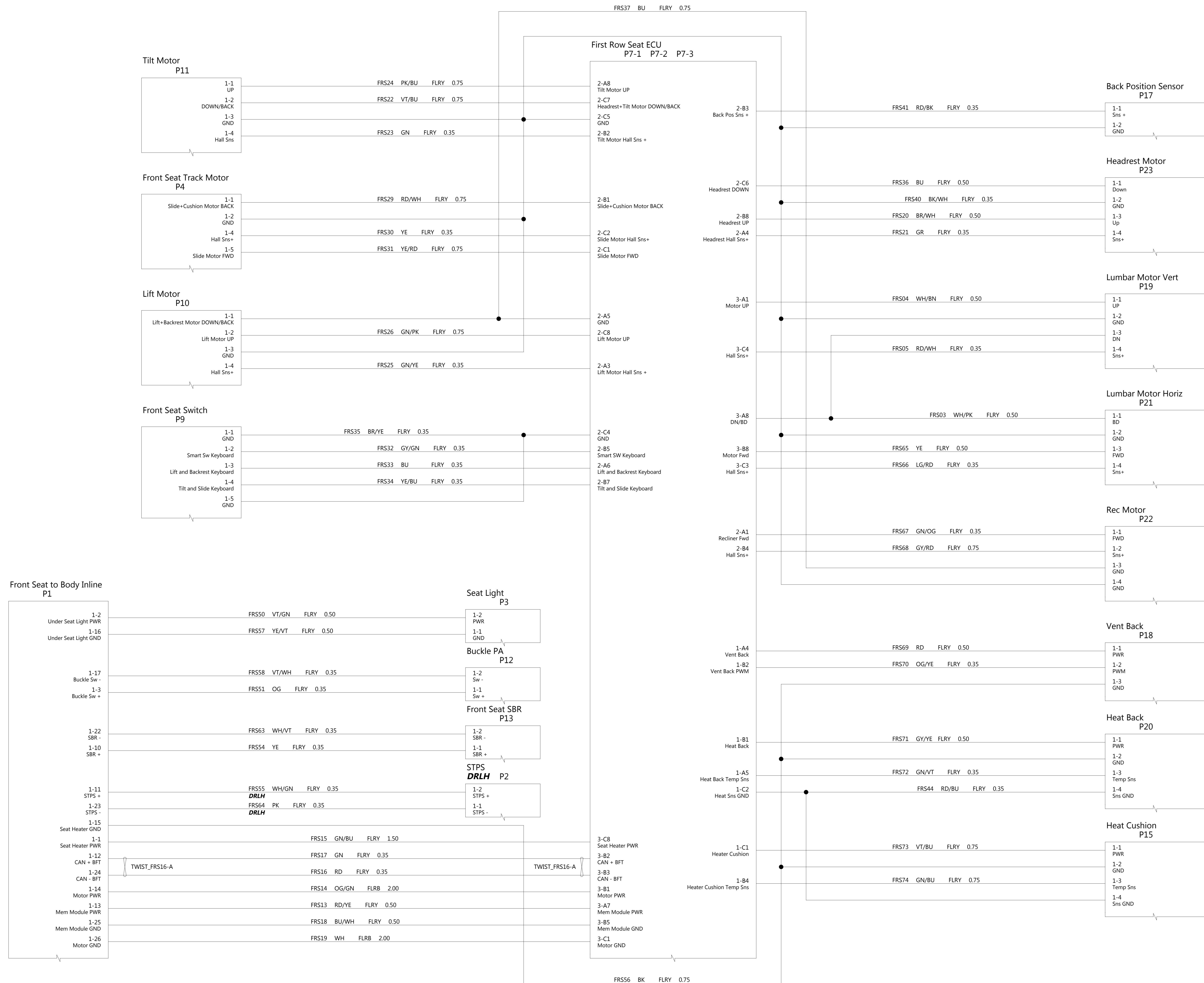
MATERIAL AS SPECIFIED	FINISHING AS SPECIFIED	SCALE NONE
--------------------------	---------------------------	---------------

PART NAME
Falcon Doors - Pinch Sensors

PART NUMBER	REV 3	SHEET 4 of 5	SIZE A0
-------------	----------	-----------------	------------



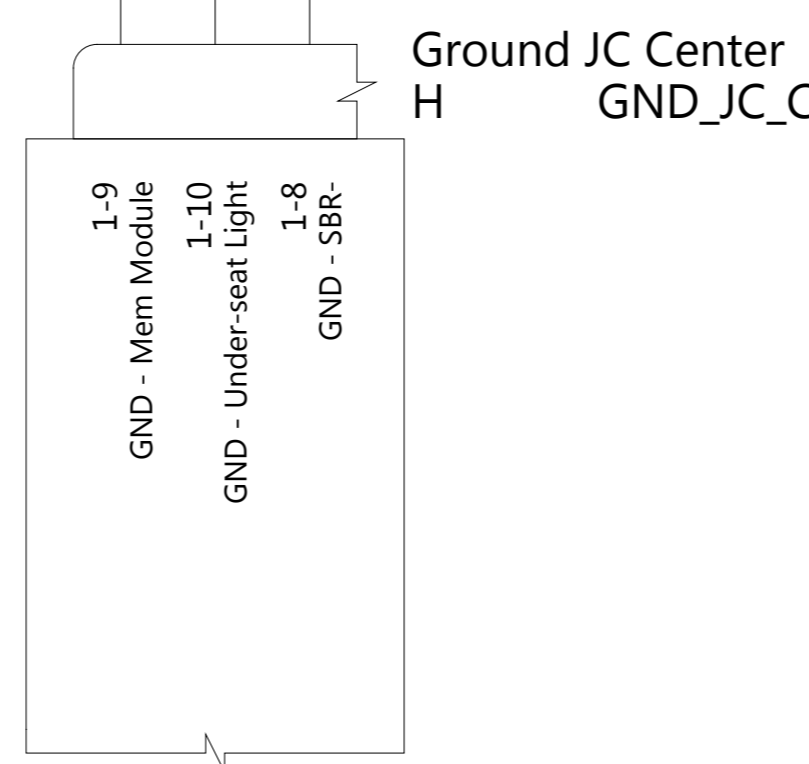
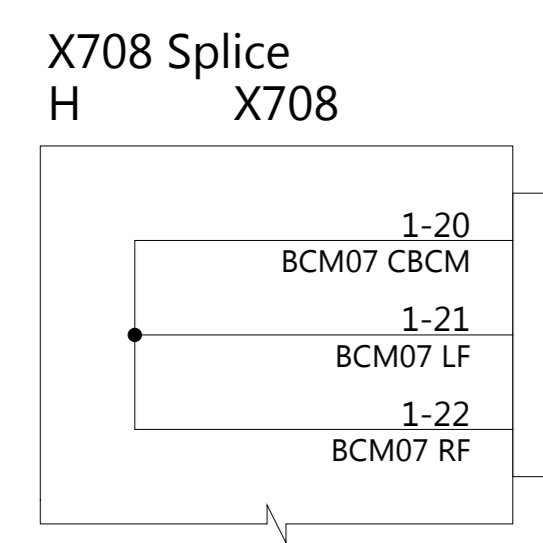
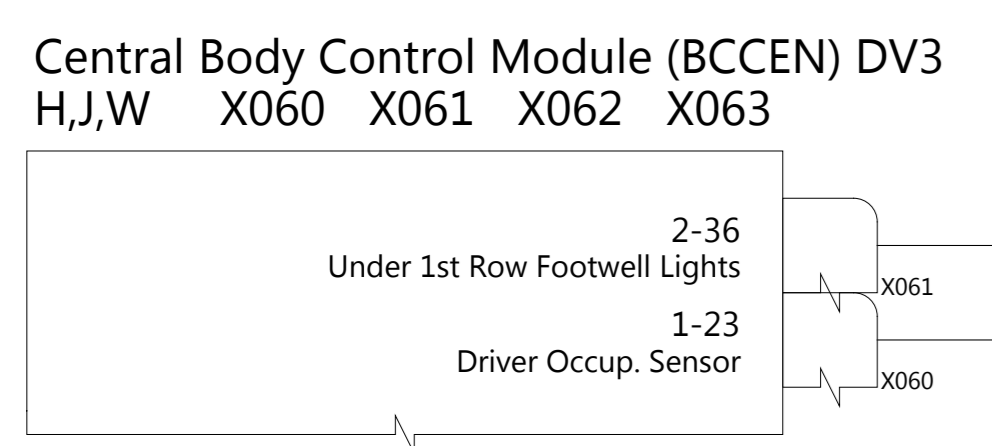
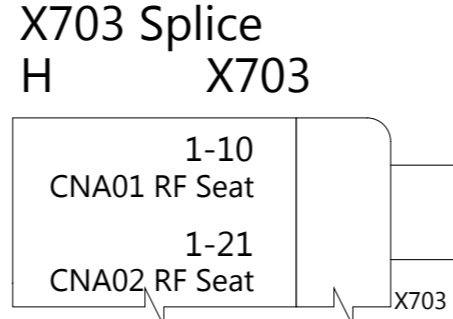
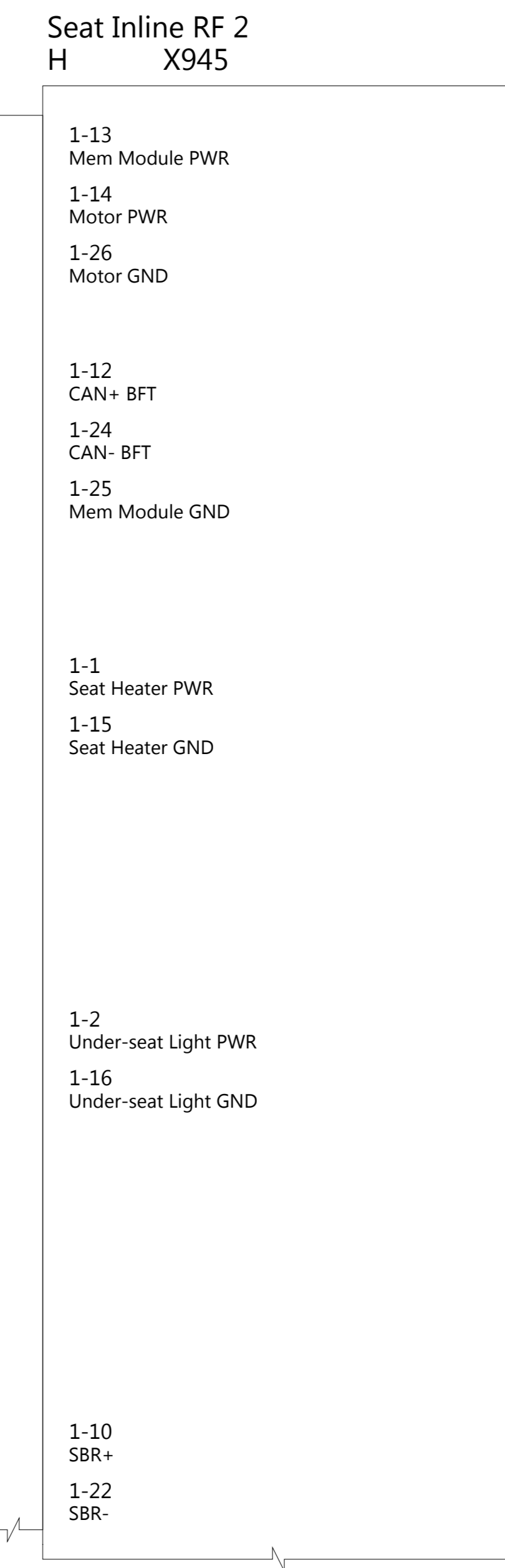
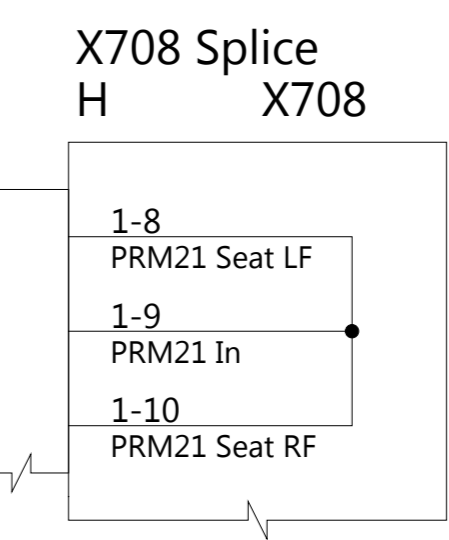
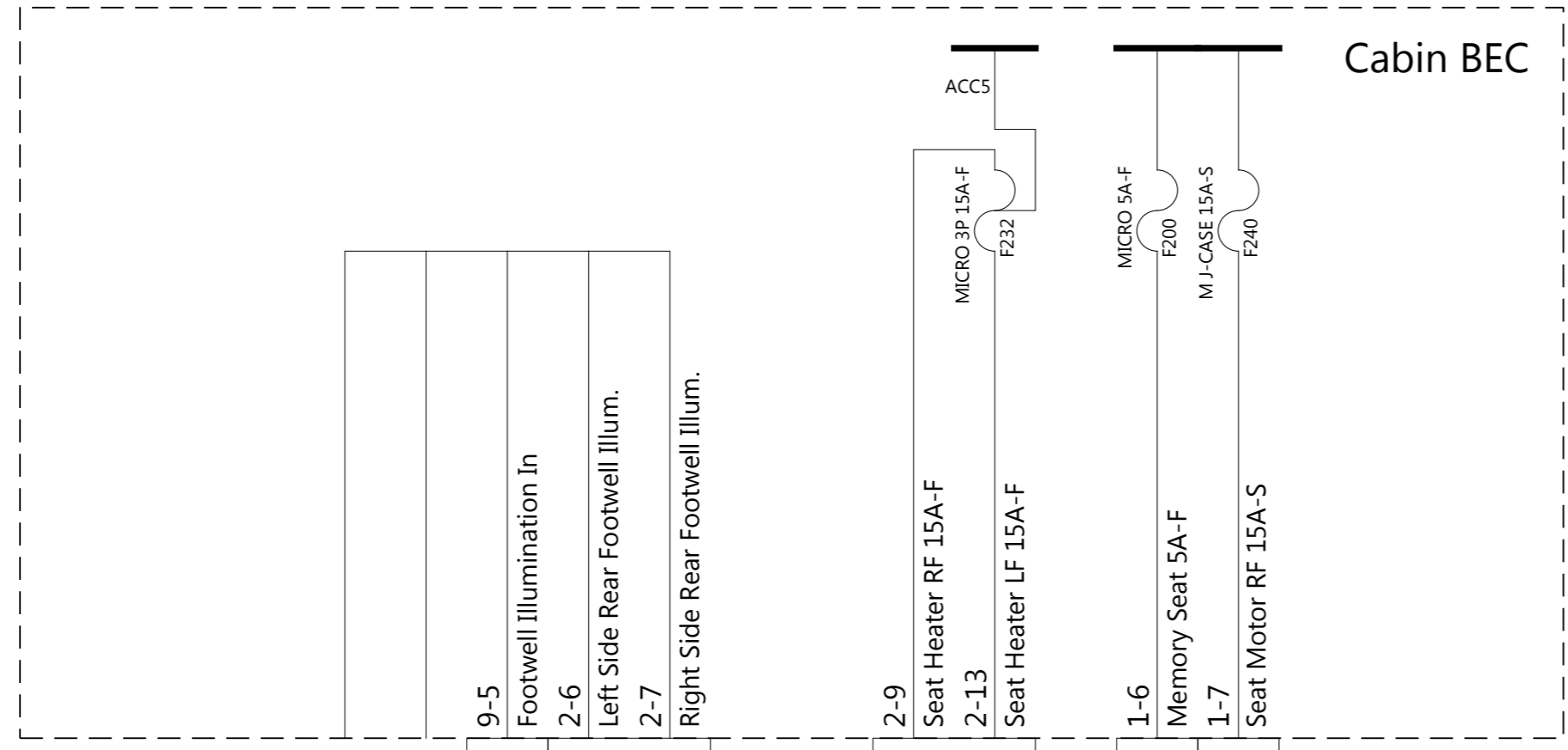
TESLA			
THE INFORMATION CONTAINED HEREIN IS DEEMED TO BE CONFIDENTIAL, PROPRIETARY, AND A TRADE SECRET OF TESLA MOTORS. THIS INFORMATION MAY NOT BE USED, REPRODUCED, OR DISCLOSED AS THE DIRECT OR INDIRECT BASIS FOR THE DEVELOPMENT, MANUFACTURE, OR SALE OF PROCESSES OR PRODUCTS WITHOUT THE EXPRESS WRITTEN CONSENT OF TESLA MOTORS.			
DRAWN	CHECKED	APPROVED	
MATERIAL AS SPECIFIED	FINISHING AS SPECIFIED	SCALE NONE	
PART NAME Front Seat Interface LHS			
PART NUMBER	REV 1	SHEET 1 of 2	SIZE AO



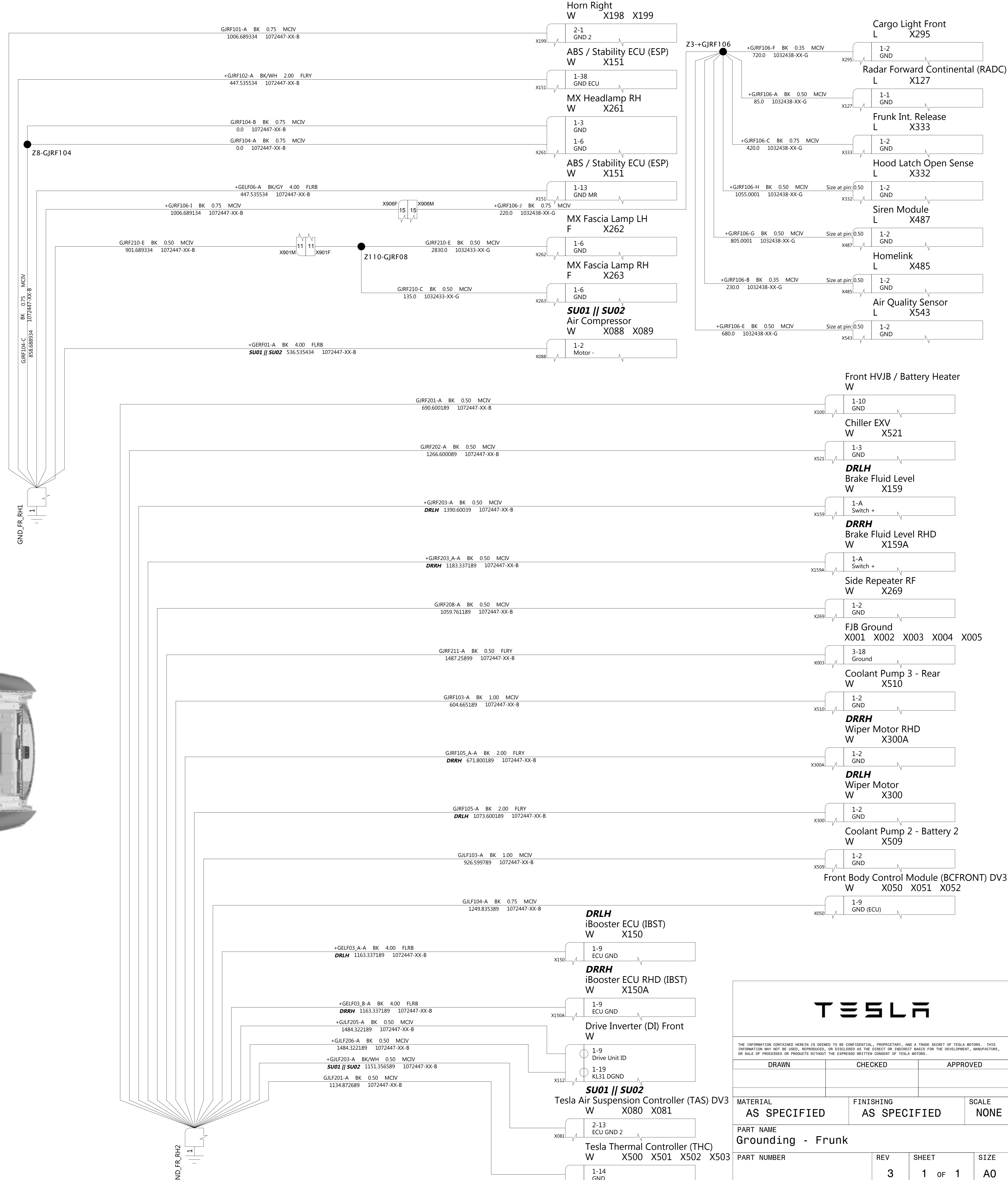
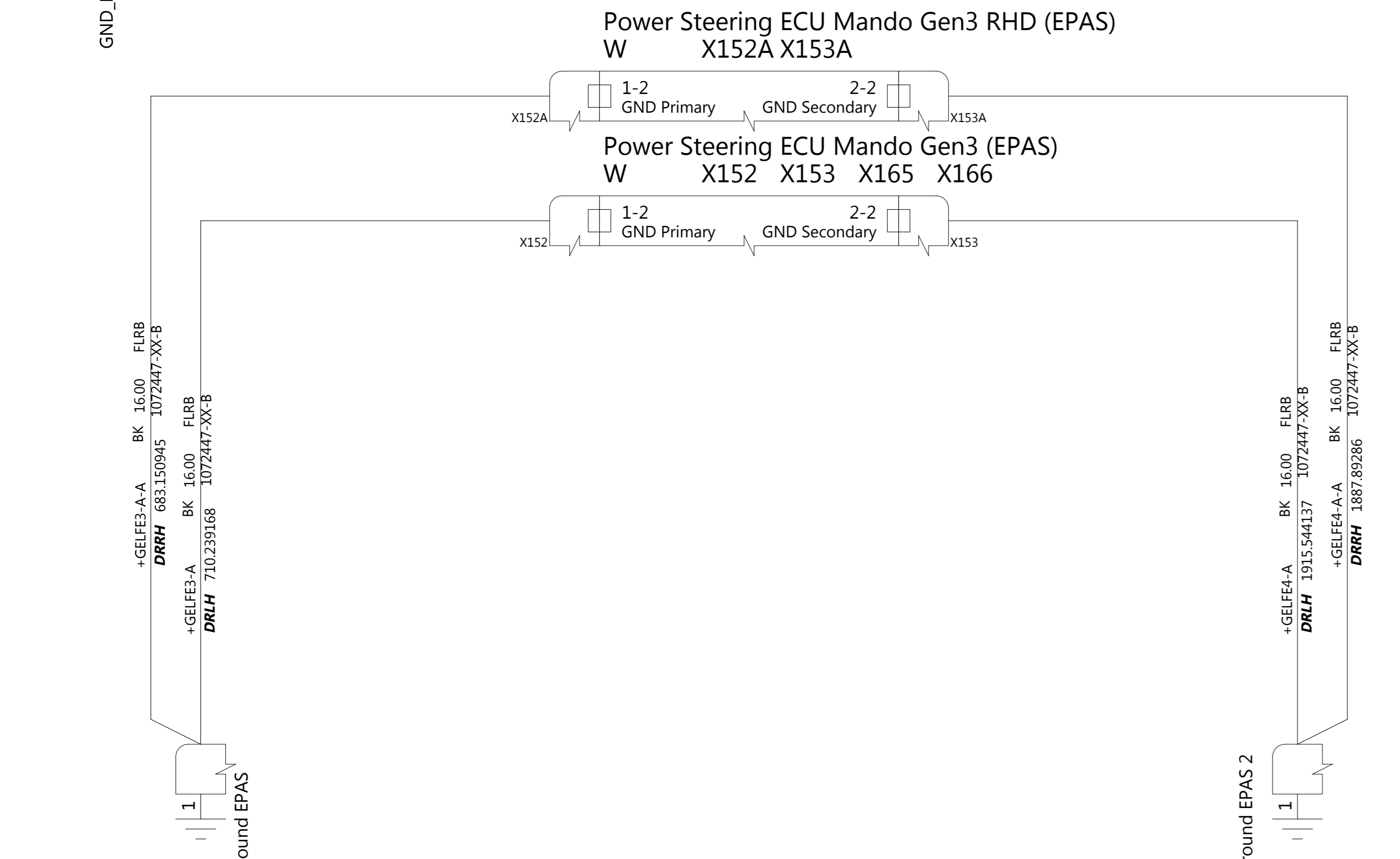
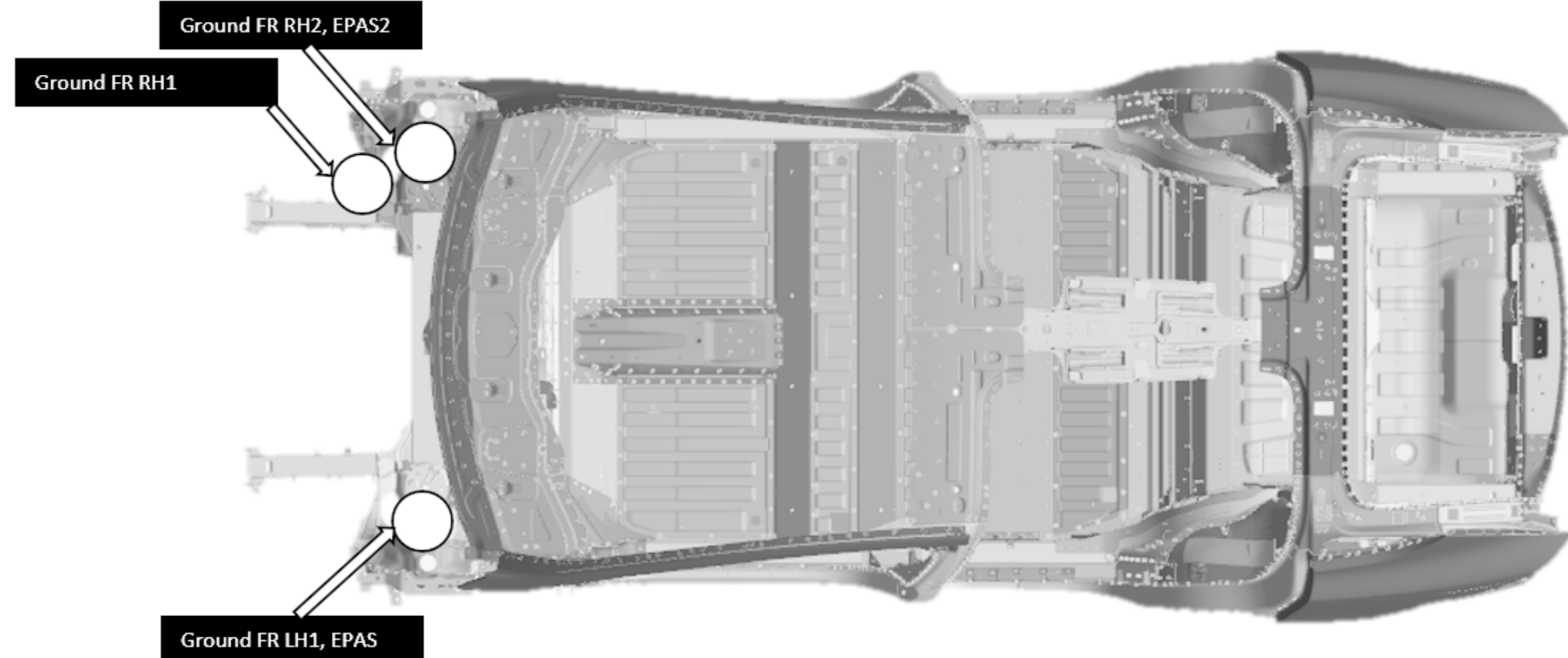
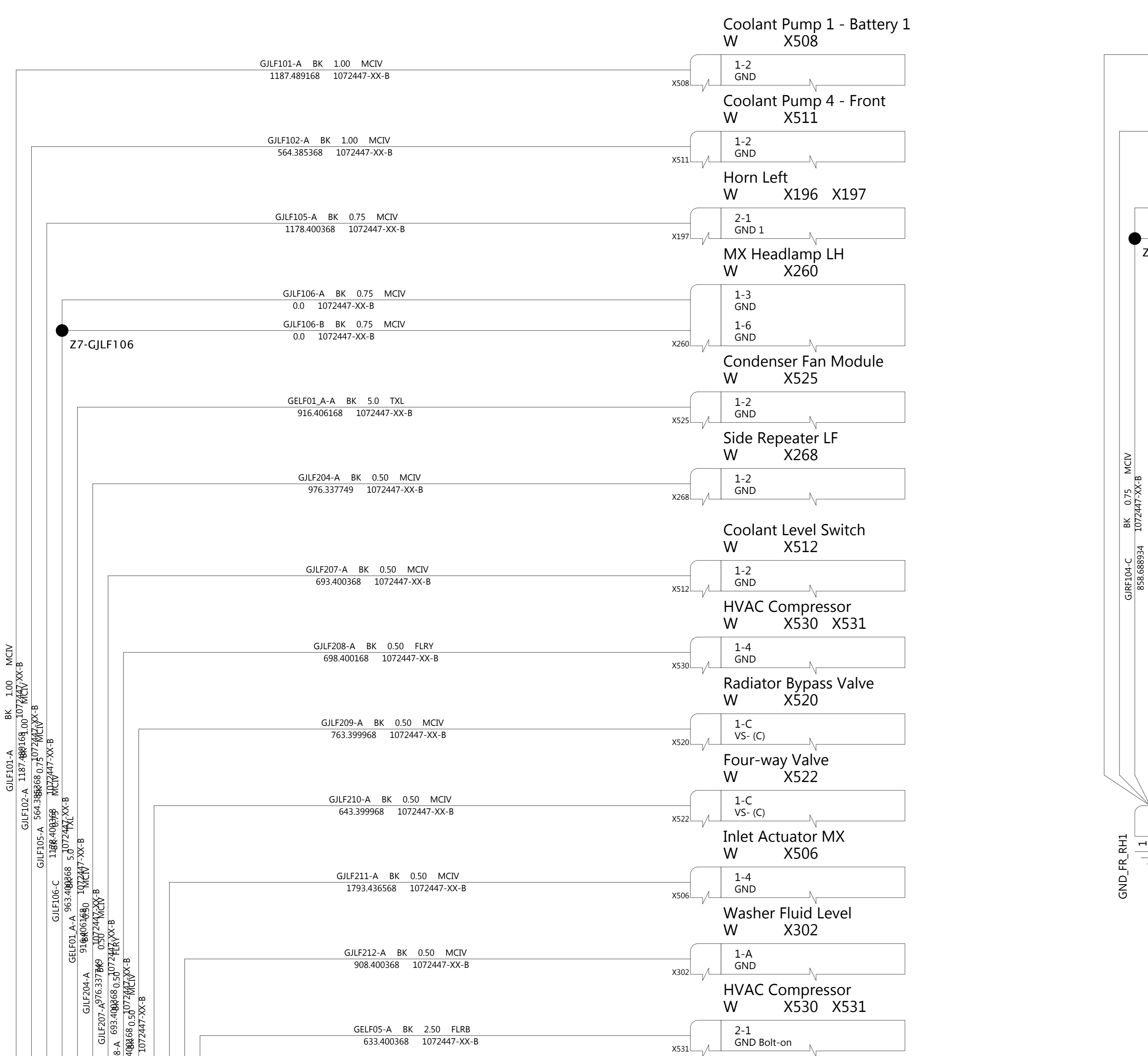
TESLA

THE INFORMATION CONTAINED HEREIN IS DESIGNED TO BE CONFIDENTIAL, PROPRIETARY, AND A TRADE SECRET OF TESLA MOTORS. THIS INFORMATION MAY NOT BE USED, REPRODUCED, OR DISCLOSED AS THE OBJECT OR SUBJECT MATTER FOR THE DEVELOPMENT, MANUFACTURE, OR SALE OF PROCESSES OR PRODUCTS WITHOUT THE EXPRESS WRITTEN CONSENT OF TESLA MOTORS.

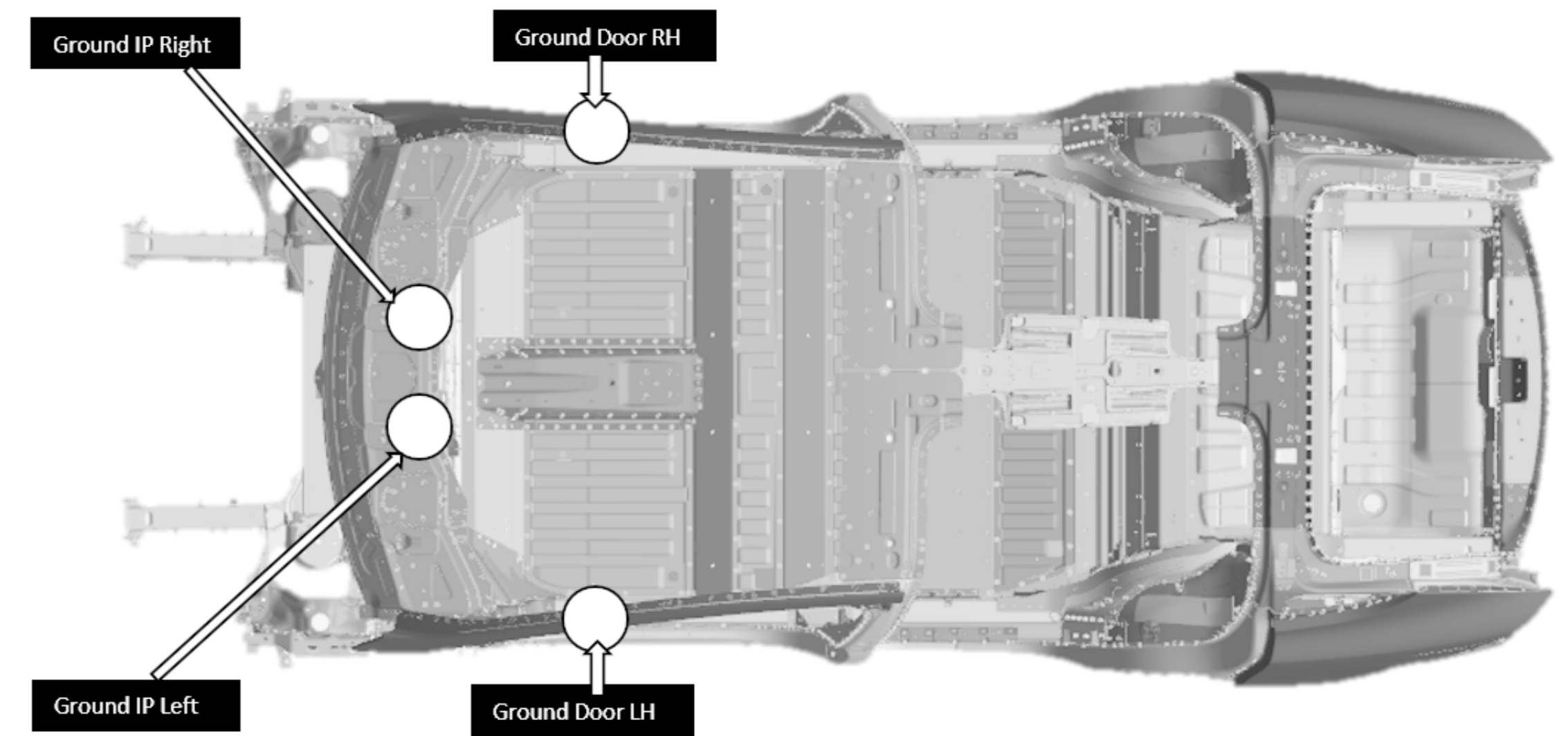
DRAWN	CHECKED	APPROVED
MATERIAL AS SPECIFIED	FINISHING AS SPECIFIED	SCALE NONE
PART NAME Front Seat Interface LHS - Internal Wiring for both Fr Seats		
PART NUMBER	REV 1	SHEET 2 OF 2
		SIZE A0



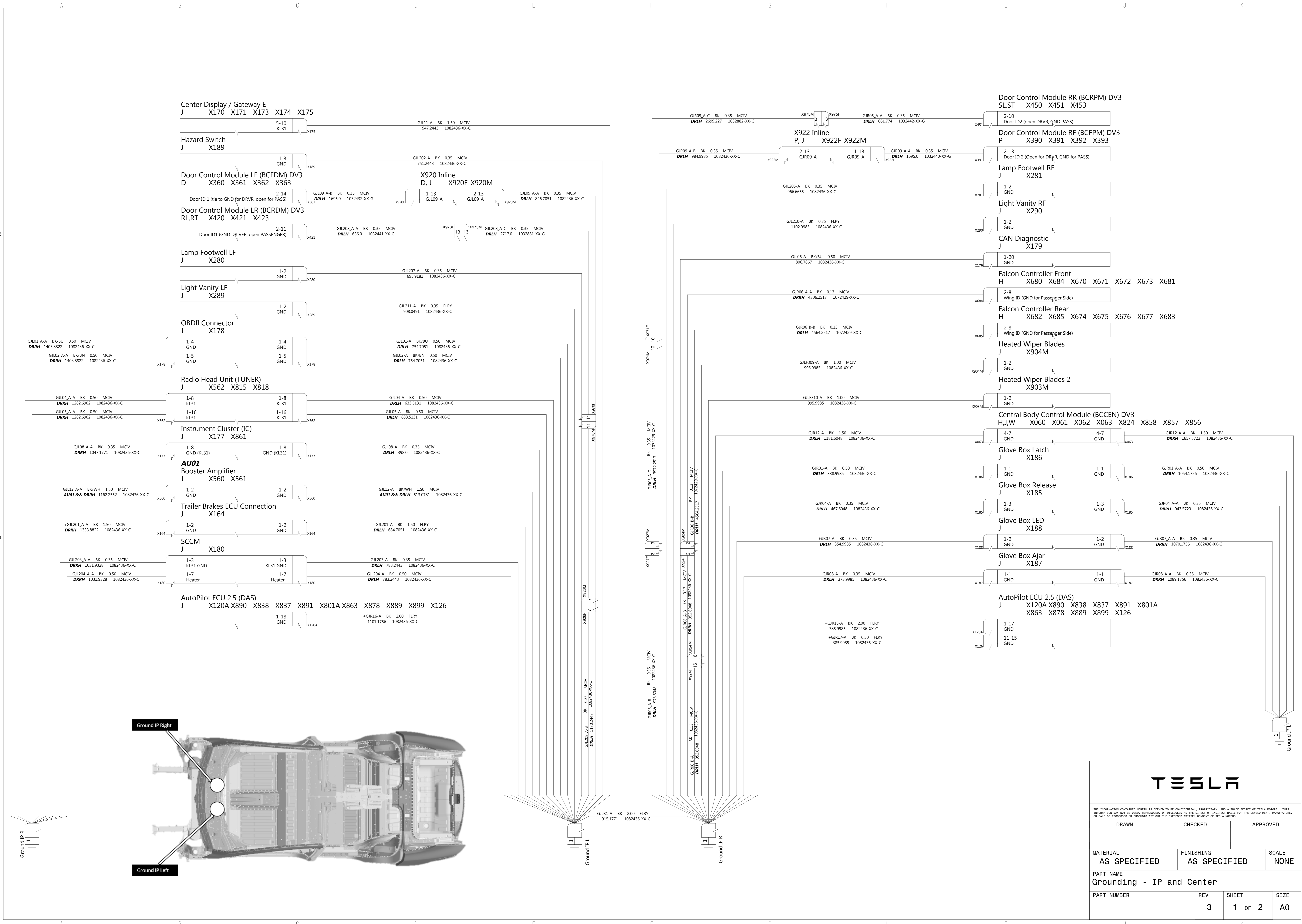
TESLA			
THE INFORMATION CONTAINED HEREIN IS DEEMED TO BE CONFIDENTIAL, PROPRIETARY, AND A TRADE SECRET OF TESLA MOTORS. THIS INFORMATION MAY NOT BE USED, REPRODUCED, OR DISCLOSED AS THE DIRECT OR INDIRECT BASIS FOR THE DEVELOPMENT, MANUFACTURE, OR SALE OF PROCESSES OR PRODUCTS WITHOUT THE EXPRESS WRITTEN CONSENT OF TESLA MOTORS.			
DRAWN	CHECKED	APPROVED	
MATERIAL AS SPECIFIED	FINISHING AS SPECIFIED	SCALE NONE	
PART NAME Front Seat Interface RHS:1:Front Seat Interface RHS-Front Seat Interface RHS			
PART NUMBER	REV 1	SHEET 1 of 1	SIZE AO



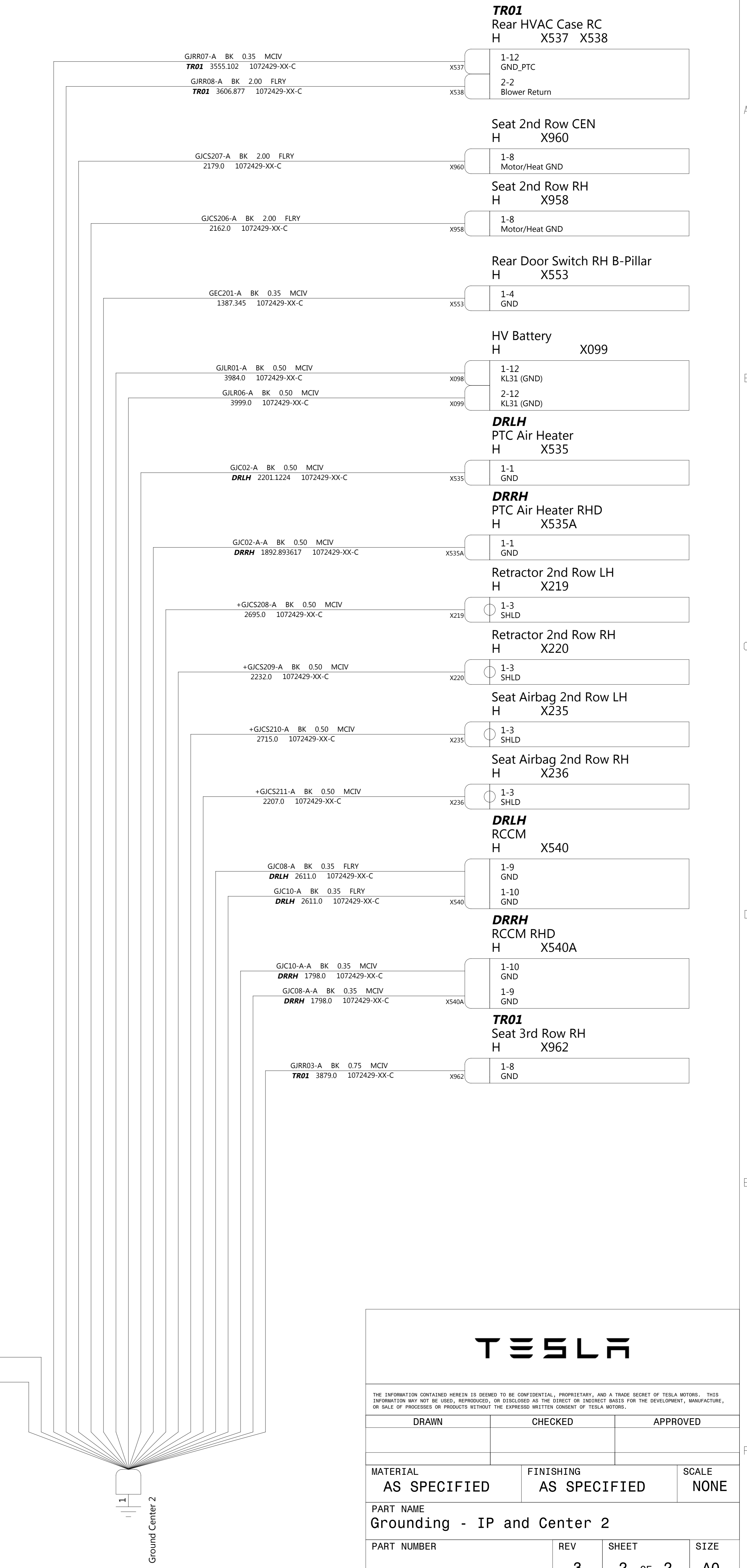
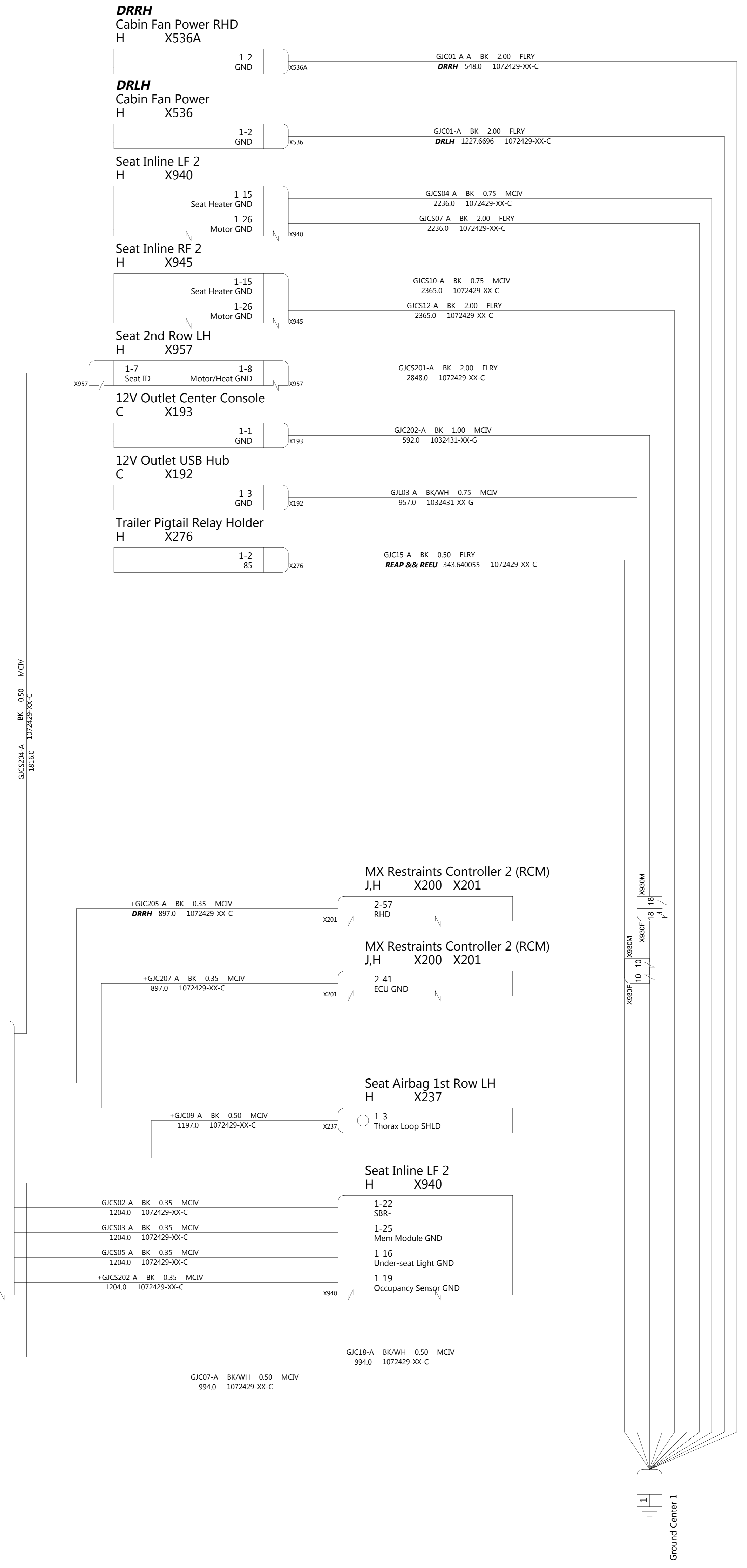
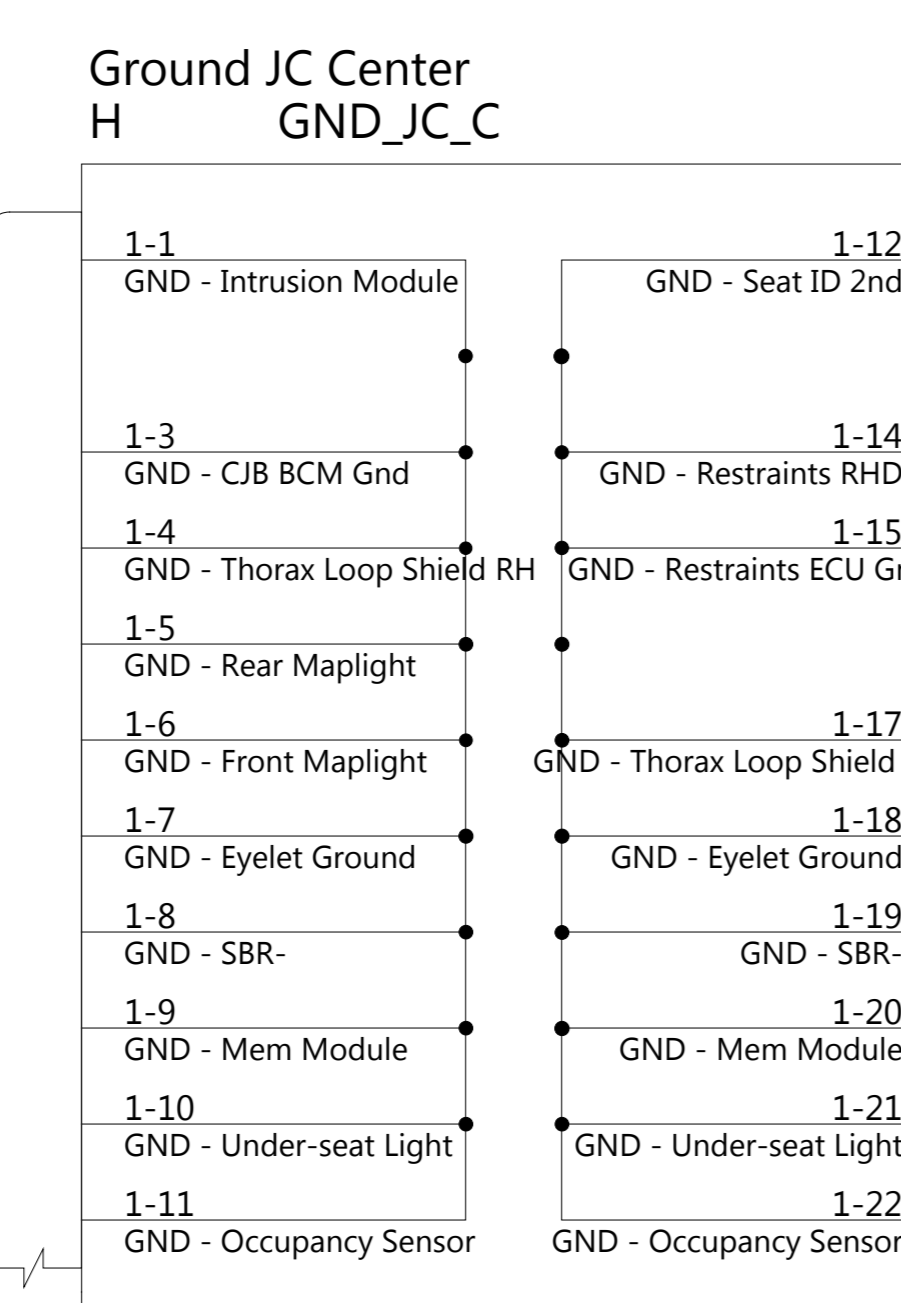
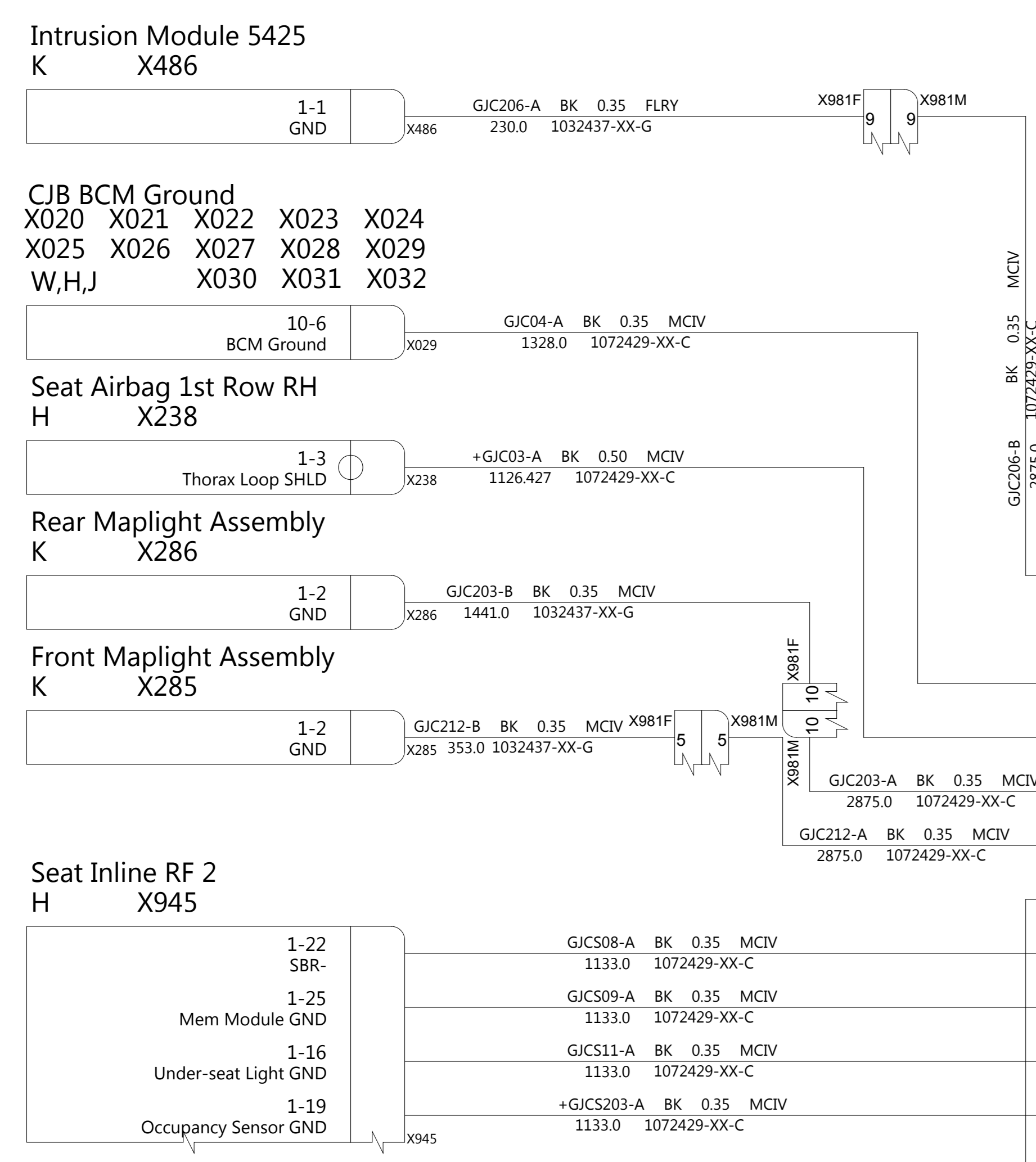
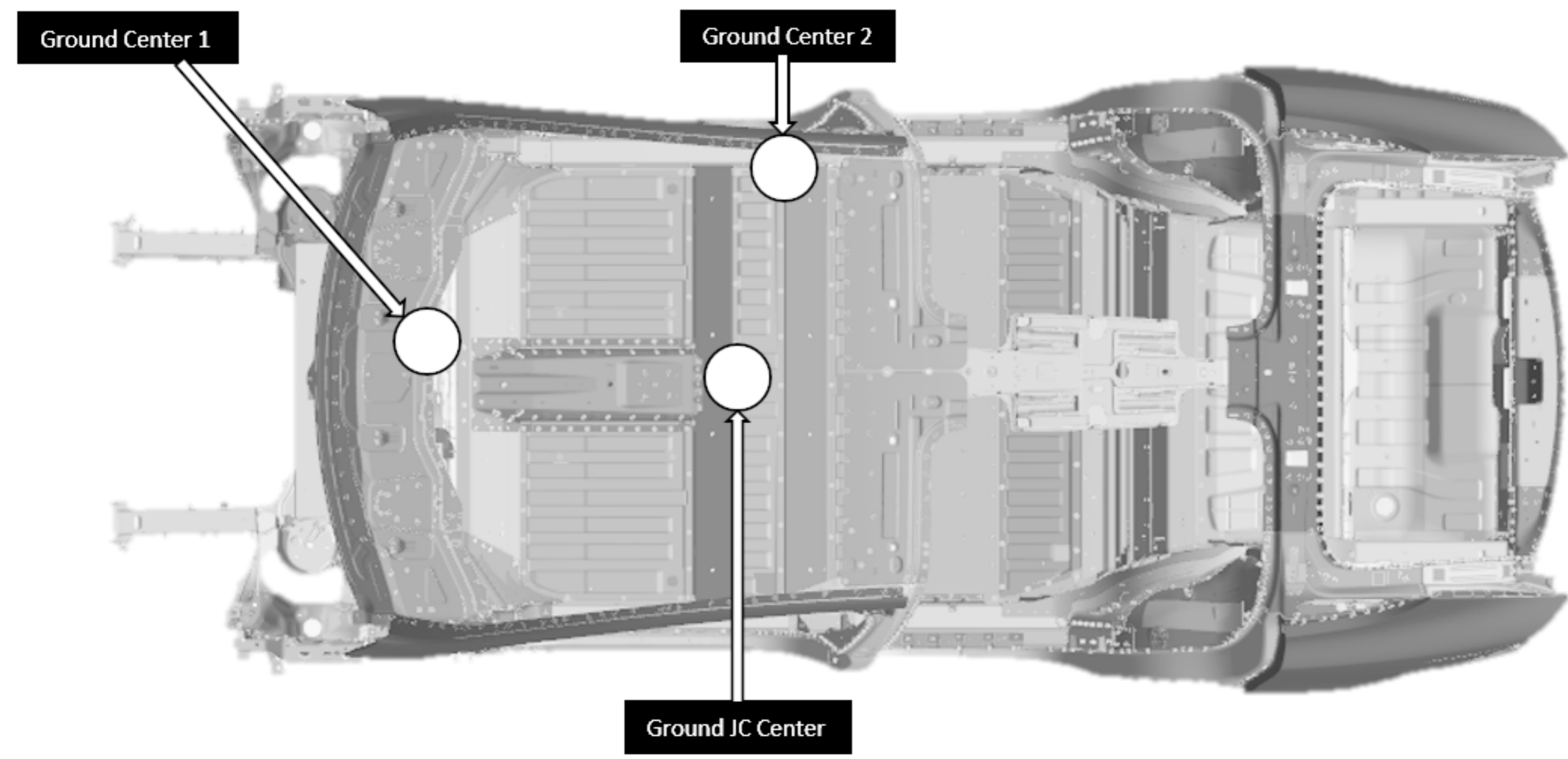
TESLA			
THE INFORMATION CONTAINED HEREIN IS DEEMED TO BE CONFIDENTIAL, PROPRIETARY, AND A TRADE SECRET OF TESLA MOTORS. THIS INFORMATION MAY NOT BE USED, REPRODUCED, OR DISCLOSED AS THE DIRECT OR INDIRECT BASIS FOR THE DEVELOPMENT, MANUFACTURE, OR SALE OF PROCESSES OR PRODUCTS WITHOUT THE EXPRESSED WRITTEN CONSENT OF TESLA MOTORS.			
DRAWN	CHECKED	APPROVED	
MATERIAL AS SPECIFIED	FINISHING AS SPECIFIED	SCALE NONE	
PART NAME Grounding - Frunk			
PART NUMBER	REV	SHEET	SIZE
	3	1 OF 1	A0



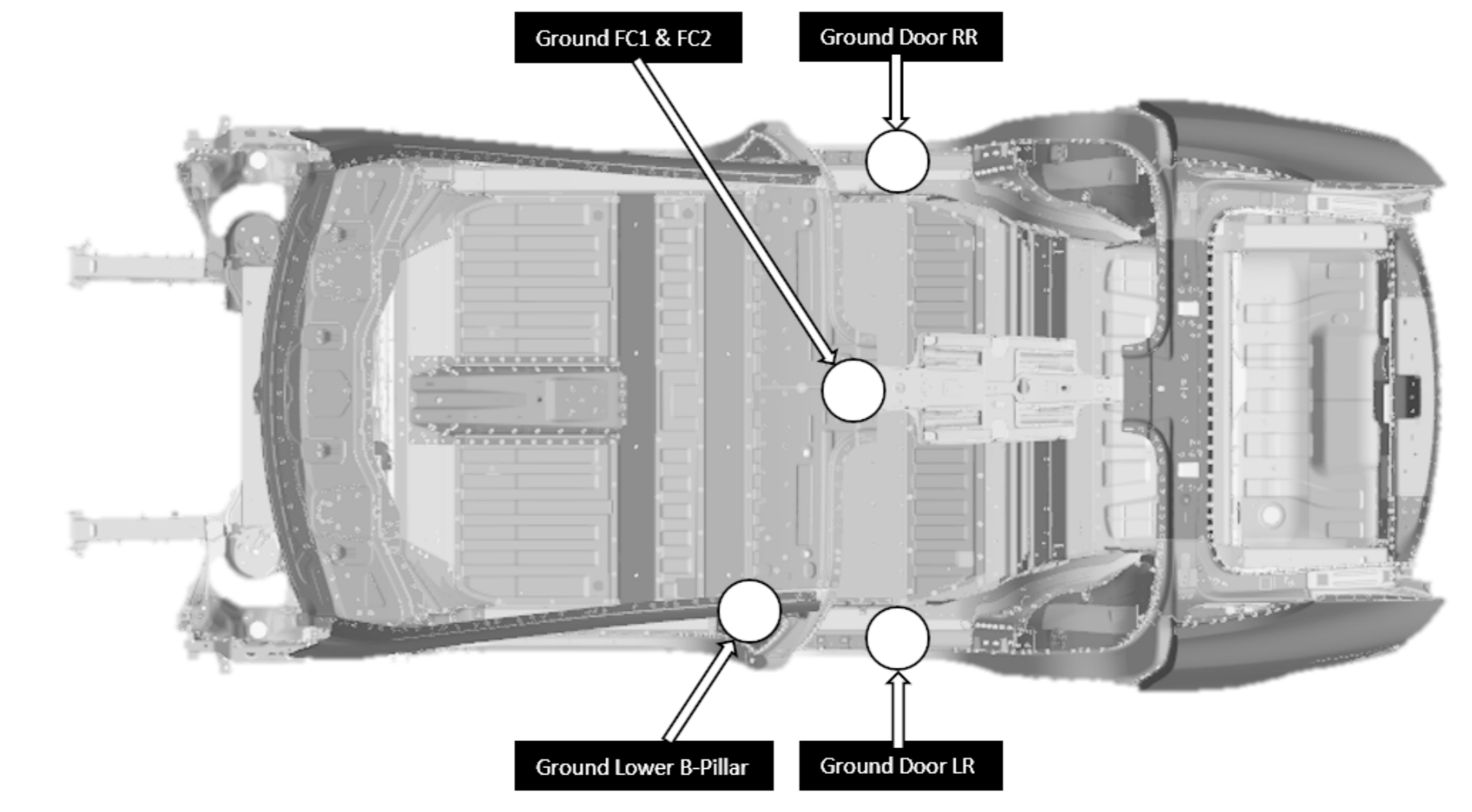
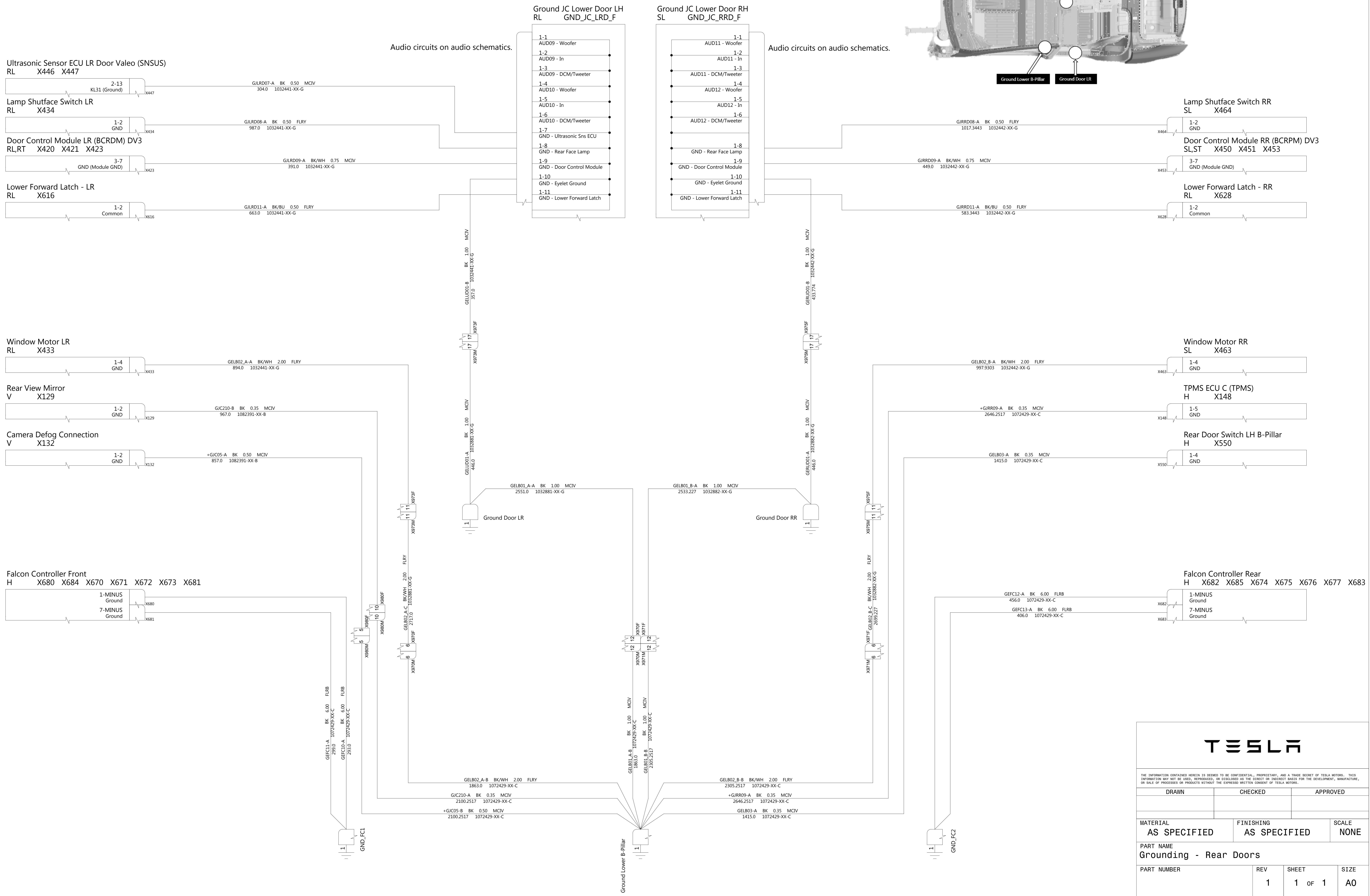
TESLA					
THE INFORMATION CONTAINED HEREIN IS DEEMED TO BE CONFIDENTIAL, PROPRIETARY, AND A TRADE SECRET OF TESLA MOTORS. THIS INFORMATION MAY NOT BE USED, REPRODUCED, OR DISCLOSED AS THE DIRECT OR INDIRECT BASIS FOR THE DEVELOPMENT, MANUFACTURE, OR SALE OF PROCESSES OR PRODUCTS WITHOUT THE EXPRESS WRITTEN CONSENT OF TESLA MOTORS.					
DRAWN		CHECKED		APPROVED	
MATERIAL AS SPECIFIED		FINISHING AS SPECIFIED		SCALE NONE	
PART NAME Grounding - A-Pillars					
PART NUMBER			REV 1	SHEET 1 of 1	SIZE AO



TESLA		
THE INFORMATION CONTAINED HEREIN IS DEEMED TO BE CONFIDENTIAL, PROPRIETARY, AND A TRADE SECRET OF TESLA MOTORS. THIS INFORMATION MAY NOT BE USED, REPRODUCED, OR DISCLOSED AS THE DIRECT OR INDIRECT BASIS FOR THE DEVELOPMENT, MANUFACTURE, OR SALE OF PROCESSES OR PRODUCTS WITHOUT THE EXPRESS WRITTEN CONSENT OF TESLA MOTORS.		
DRAWN	CHECKED	APPROVED
MATERIAL AS SPECIFIED	FINISHING AS SPECIFIED	SCALE NONE
PART NAME Grounding - IP and Center		
PART NUMBER	REV 3	SHEET 1 of 2
	SIZE AO	



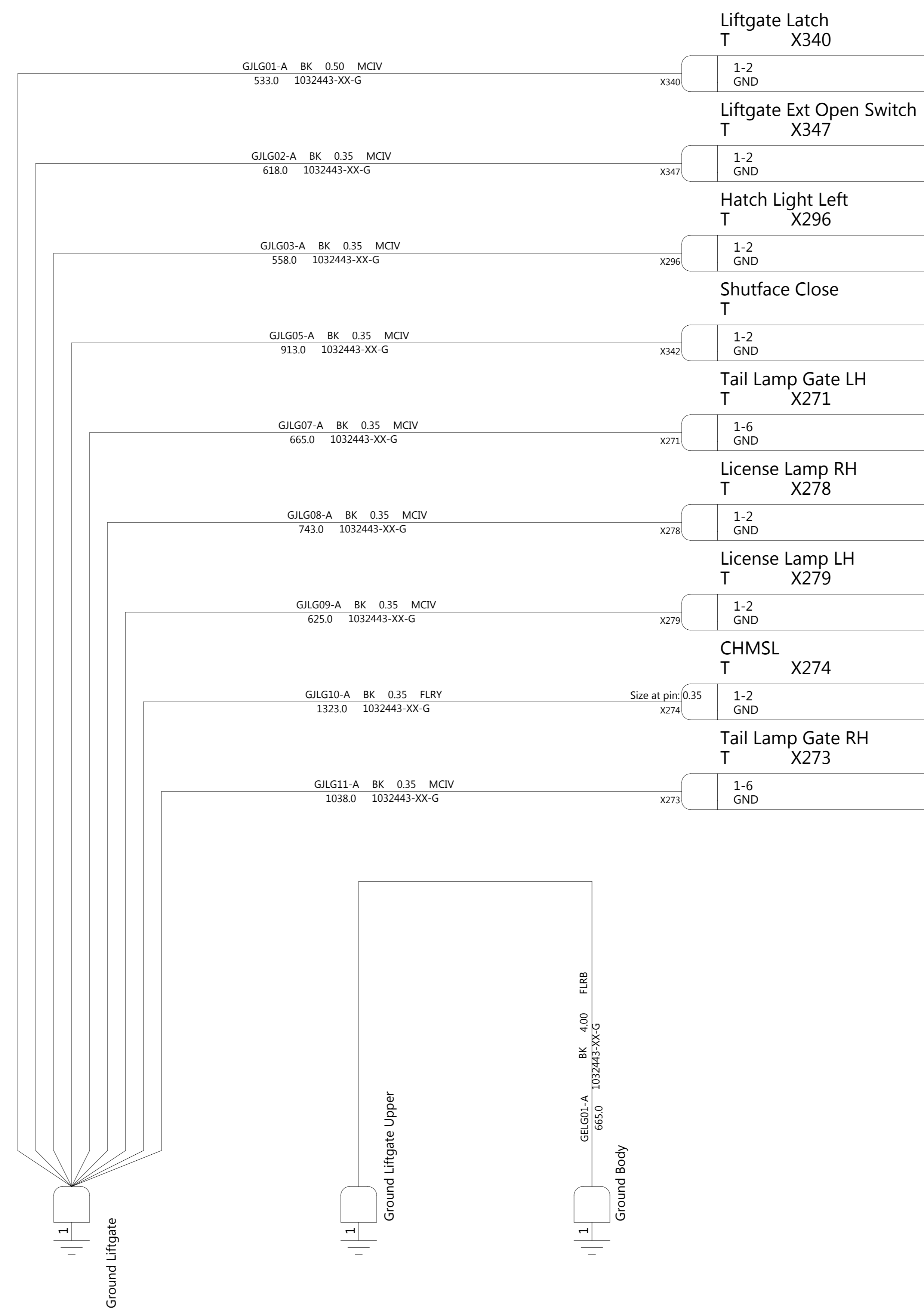
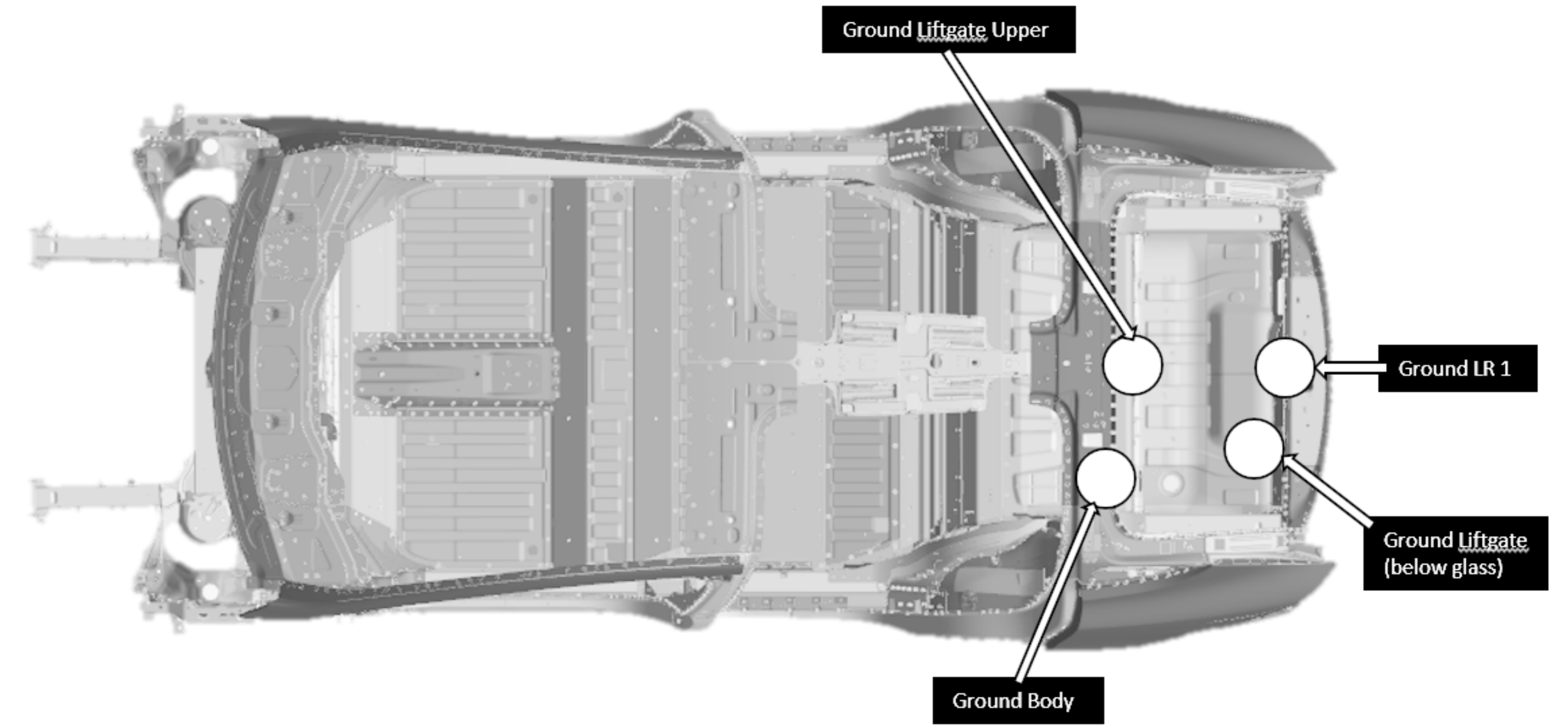
TESLA			
THE INFORMATION CONTAINED HEREIN IS DEEMED TO BE CONFIDENTIAL, PROPRIETARY, AND A TRADE SECRET OF TESLA MOTORS. THIS INFORMATION MAY NOT BE USED, REPRODUCED, OR DISCLOSED AS THE DIRECT OR INDIRECT BASIS FOR THE DEVELOPMENT, MANUFACTURE, OR SALE OF PROCESSES OR PRODUCTS WITHOUT THE EXPRESSED WRITTEN CONSENT OF TESLA MOTORS.			
DRAWN	CHECKED	APPROVED	
MATERIAL AS SPECIFIED		FINISHING AS SPECIFIED	SCALE NONE
PART NAME Grounding - IP and Center 2			
PART NUMBER	REV	SHEET	SIZE
	3	2 OF 2	A0



- Ground JC Lower Door LH
RL
GND_JC_LRD_F
- 1-1 AUD09 - Woofer
 - 1-2 AUD09 - In
 - 1-3 AUD09 - DCM/Tweeter
 - 1-4 AUD10 - Woofer
 - 1-5 AUD10 - In
 - 1-6 AUD10 - DCM/Tweeter
 - 1-7 GND - Ultrasonic Sns ECU
 - 1-8 GND - Rear Face Lamp
 - 1-9 GND - Door Control Module
 - 1-10 GND - Eyelet Ground
 - 1-11 GND - Lower Forward Latch

- Ground JC Lower Door RH
SL
GND_JC_RRD_F
- 1-1 AUD11 - Woofer
 - 1-2 AUD11 - In
 - 1-3 AUD11 - DCM/Tweeter
 - 1-4 AUD12 - Woofer
 - 1-5 AUD12 - In
 - 1-6 AUD12 - DCM/Tweeter
 - 1-8 GND - Rear Face Lamp
 - 1-9 GND - Door Control Module
 - 1-10 GND - Eyelet Ground
 - 1-11 GND - Lower Forward Latch

TESLA			
THE INFORMATION CONTAINED HEREIN IS DEEMED TO BE CONFIDENTIAL, PROPRIETARY, AND A TRADE SECRET OF TESLA MOTORS. THIS INFORMATION MAY NOT BE USED, REPRODUCED, OR DISCLOSED AS THE DIRECT OR INDIRECT BASIS FOR THE DEVELOPMENT, MANUFACTURE, OR SALE OF PROCESSES OR PRODUCTS WITHOUT THE EXPRESS WRITTEN CONSENT OF TESLA MOTORS.			
DRAWN	CHECKED	APPROVED	
MATERIAL AS SPECIFIED	FINISHING AS SPECIFIED	SCALE NONE	
PART NAME Grounding - Rear Doors			
PART NUMBER	REV 1	SHEET 1 of 1	SIZE AO

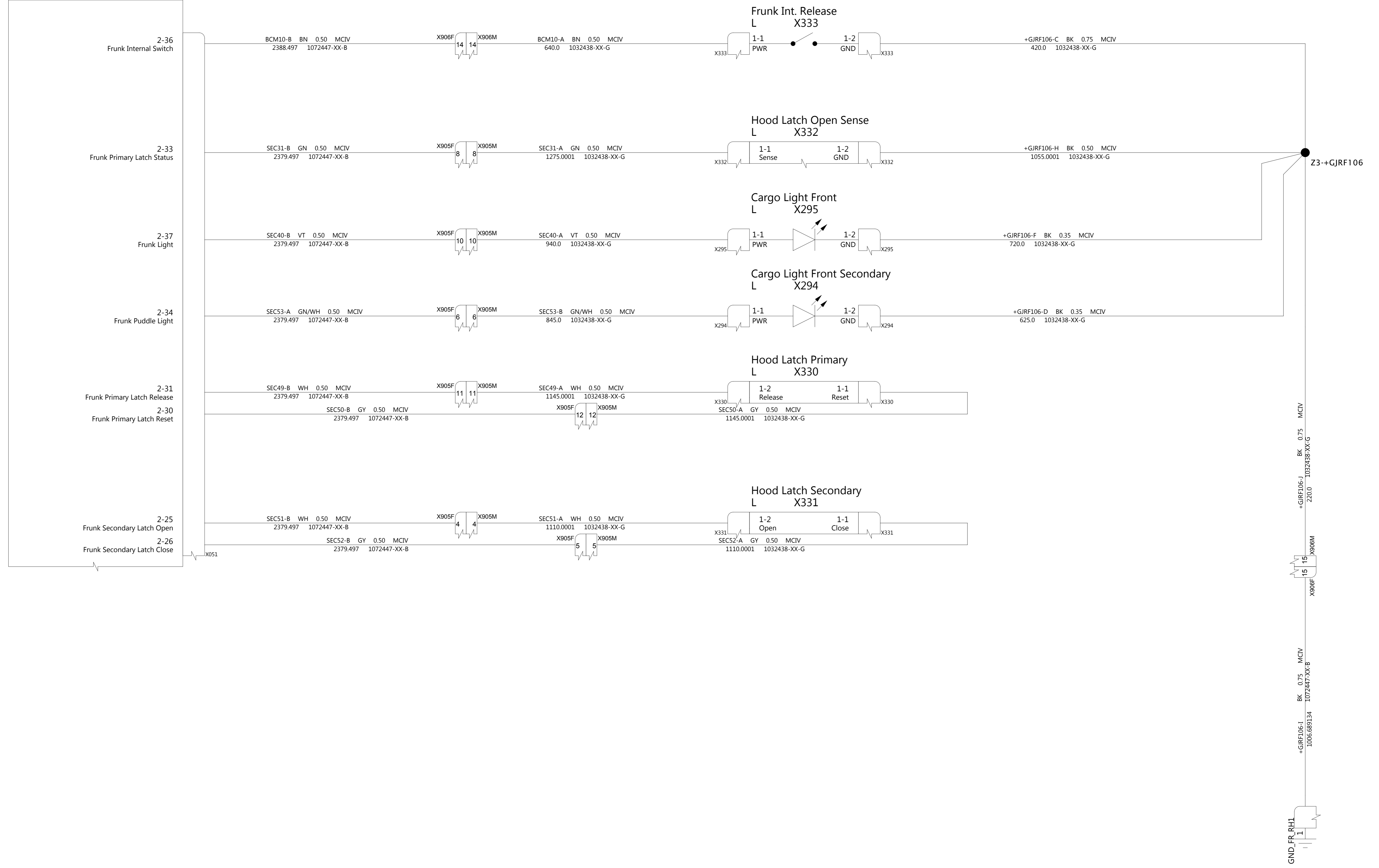


TESLA

THE INFORMATION CONTAINED HEREIN IS DEEMED TO BE CONFIDENTIAL, PROPRIETARY, AND A TRADE SECRET OF TESLA MOTORS. THIS INFORMATION MAY NOT BE USED, REPRODUCED, OR DISCLOSED AS THE DIRECT OR INDIRECT BASIS FOR THE DEVELOPMENT, MANUFACTURE, OR SALE OF PROCESSES OR PRODUCTS WITHOUT THE EXPRESSED WRITTEN CONSENT OF TESLA MOTORS.

DRAWN	CHECKED	APPROVED
MATERIAL AS SPECIFIED	FINISHING AS SPECIFIED	SCALE NONE
PART NAME Grounding - Rear		
PART NUMBER	REV	SHEET
	2	1 OF 1
		SIZE A0

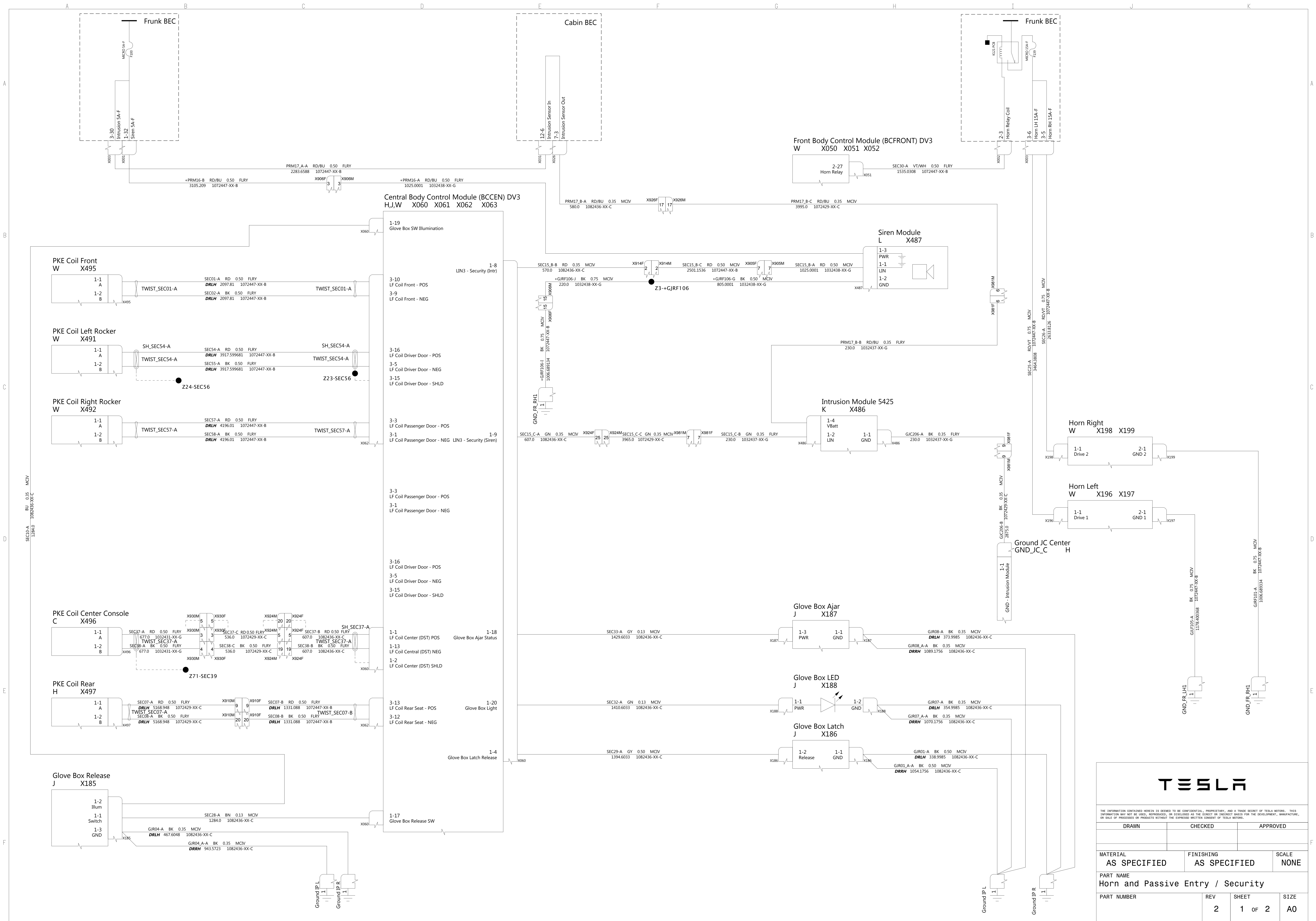
Front Body Control Module (BCFRONT) DV3
W X050 X051 X052



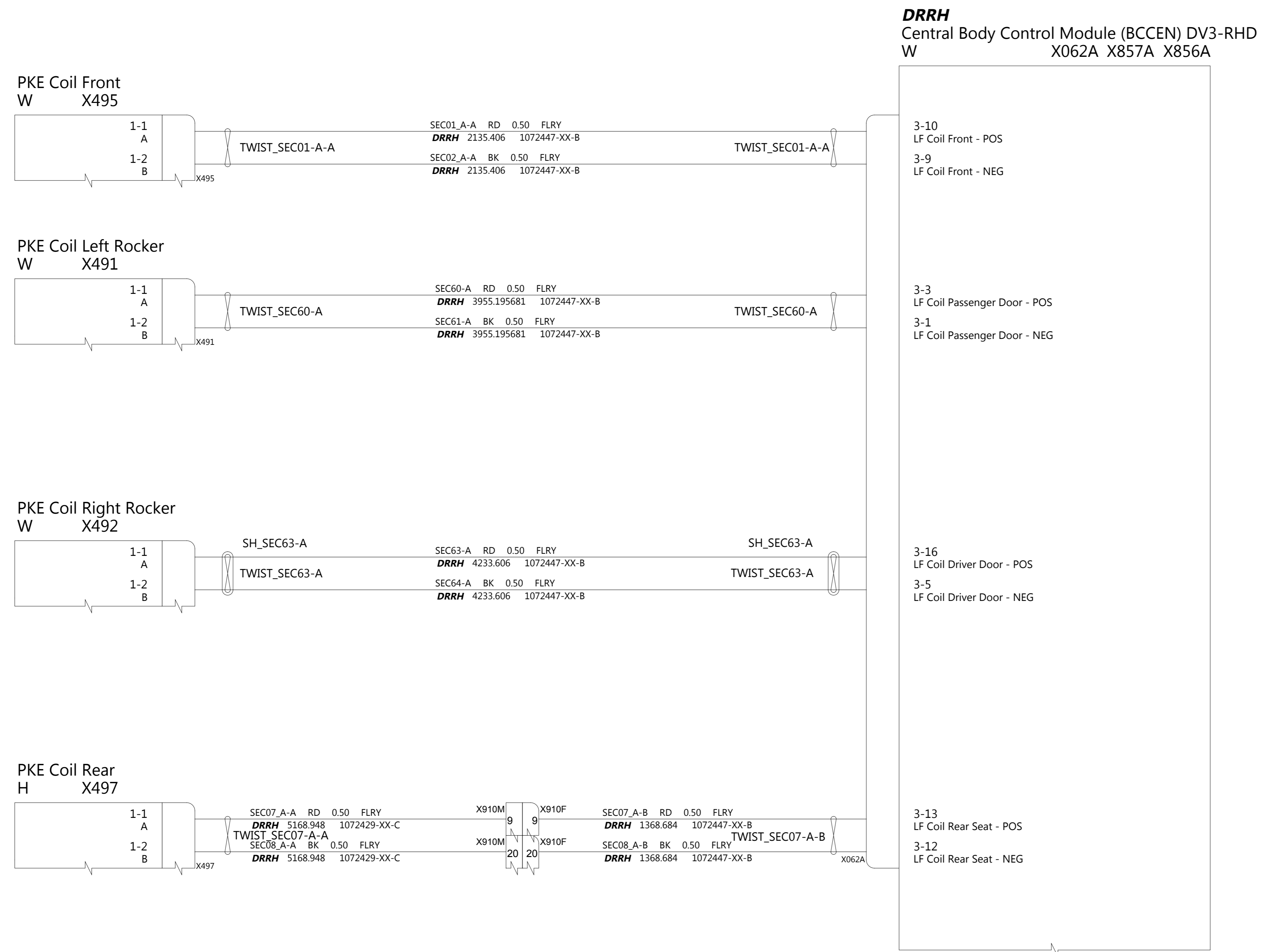
TESLA

THE INFORMATION CONTAINED HEREIN IS DEEMED TO BE CONFIDENTIAL, PROPRIETARY, AND A TRADE SECRET OF TESLA MOTORS. THIS INFORMATION MAY NOT BE USED, REPRODUCED, OR DISCLOSED AS THE DIRECT OR INDIRECT BASIS FOR THE DEVELOPMENT, MANUFACTURE, OR SALE OF PROCESSES OR PRODUCTS WITHOUT THE EXPRESS WRITTEN CONSENT OF TESLA MOTORS.

DRAWN	CHECKED	APPROVED
MATERIAL AS SPECIFIED	FINISHING AS SPECIFIED	SCALE NONE
PART NAME Hatch Front Actuators/Sensors		
PART NUMBER	REV 2	SHEET 1 of 1
		SIZE A0



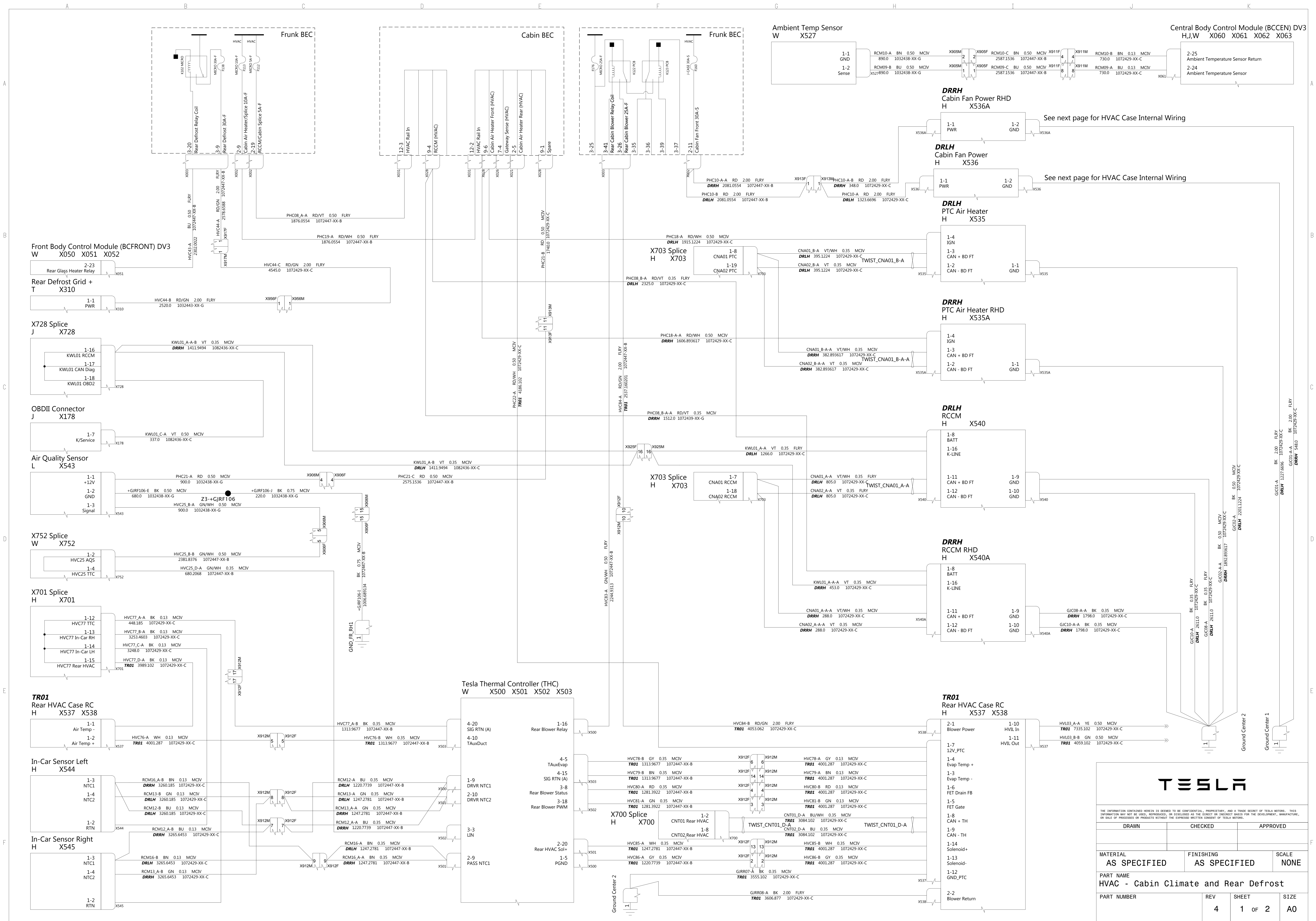
TESLA		
THE INFORMATION CONTAINED HEREIN IS DEEMED TO BE CONFIDENTIAL, PROPRIETARY, AND A TRADE SECRET OF TESLA MOTORS. THIS INFORMATION MAY NOT BE USED, REPRODUCED, OR DISCLOSED AS THE DIRECT OR INDIRECT BASIS FOR THE DEVELOPMENT, MANUFACTURE, OR SALE OF PROCESSES OR PRODUCTS WITHOUT THE EXPRESS WRITTEN CONSENT OF TESLA MOTORS.		
DRAWN	CHECKED	APPROVED
MATERIAL AS SPECIFIED	FINISHING AS SPECIFIED	SCALE NONE
PART NAME Horn and Passive Entry / Security		
PART NUMBER	REV 2	SHEET 1 of 2
		SIZE AO



TESLA

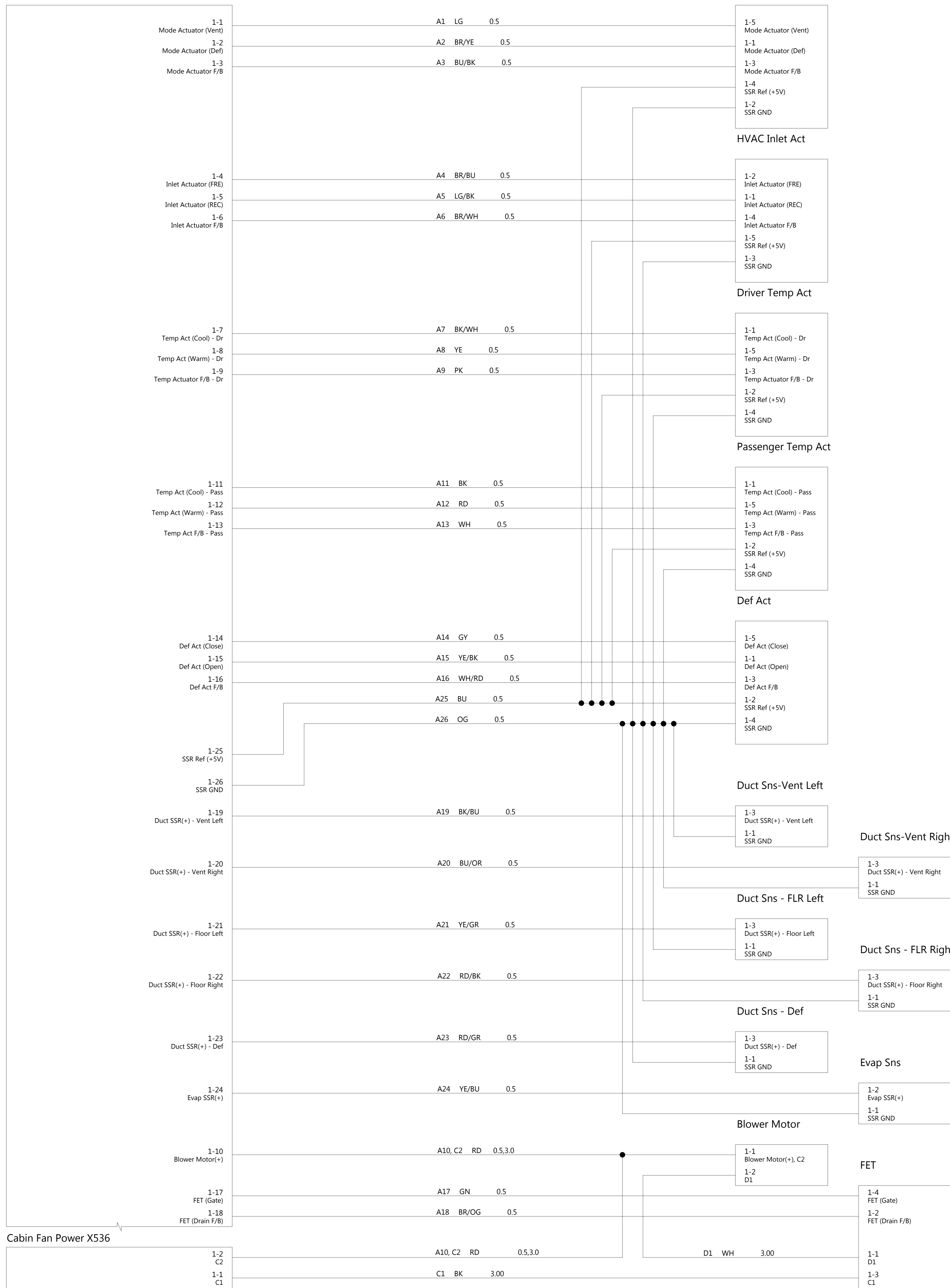
THE INFORMATION CONTAINED HEREIN IS DEEMED TO BE CONFIDENTIAL, PROPRIETARY, AND A TRADE SECRET OF TESLA MOTORS. THIS INFORMATION MAY NOT BE USED, REPRODUCED, OR DISCLOSED AS THE DIRECT OR INDIRECT BASIS FOR THE DEVELOPMENT, MANUFACTURE, OR SALE OF PROCESSES OR PRODUCTS WITHOUT THE EXPRESS WRITTEN CONSENT OF TESLA MOTORS.

DRAWN	CHECKED	APPROVED
MATERIAL AS SPECIFIED		FINISHING AS SPECIFIED
PART NAME Horn and Passive Entry / Security p2		SCALE NONE
PART NUMBER	REV 2	SHEET 2 OF 2
		SIZE A0



TESLA		
THE INFORMATION CONTAINED HEREIN IS DEEMED TO BE CONFIDENTIAL, PROPRIETARY, AND A TRADE SECRET OF TESLA MOTORS. THIS INFORMATION MAY NOT BE USED, REPRODUCED, OR DISCLOSED AS THE DIRECT OR INDIRECT BASIS FOR THE DEVELOPMENT, MANUFACTURE, OR SALE OF PROCESSES OR PRODUCTS WITHOUT THE EXPRESS WRITTEN CONSENT OF TESLA MOTORS.		
DRAWN	CHECKED	APPROVED
MATERIAL AS SPECIFIED	FINISHING AS SPECIFIED	SCALE NONE
PART NAME HVAC - Cabin Climate and Rear Defrost		
PART NUMBER	REV	SHEET
	4	1 of 2
		SIZE AO

HVAC Case Internal Wiring



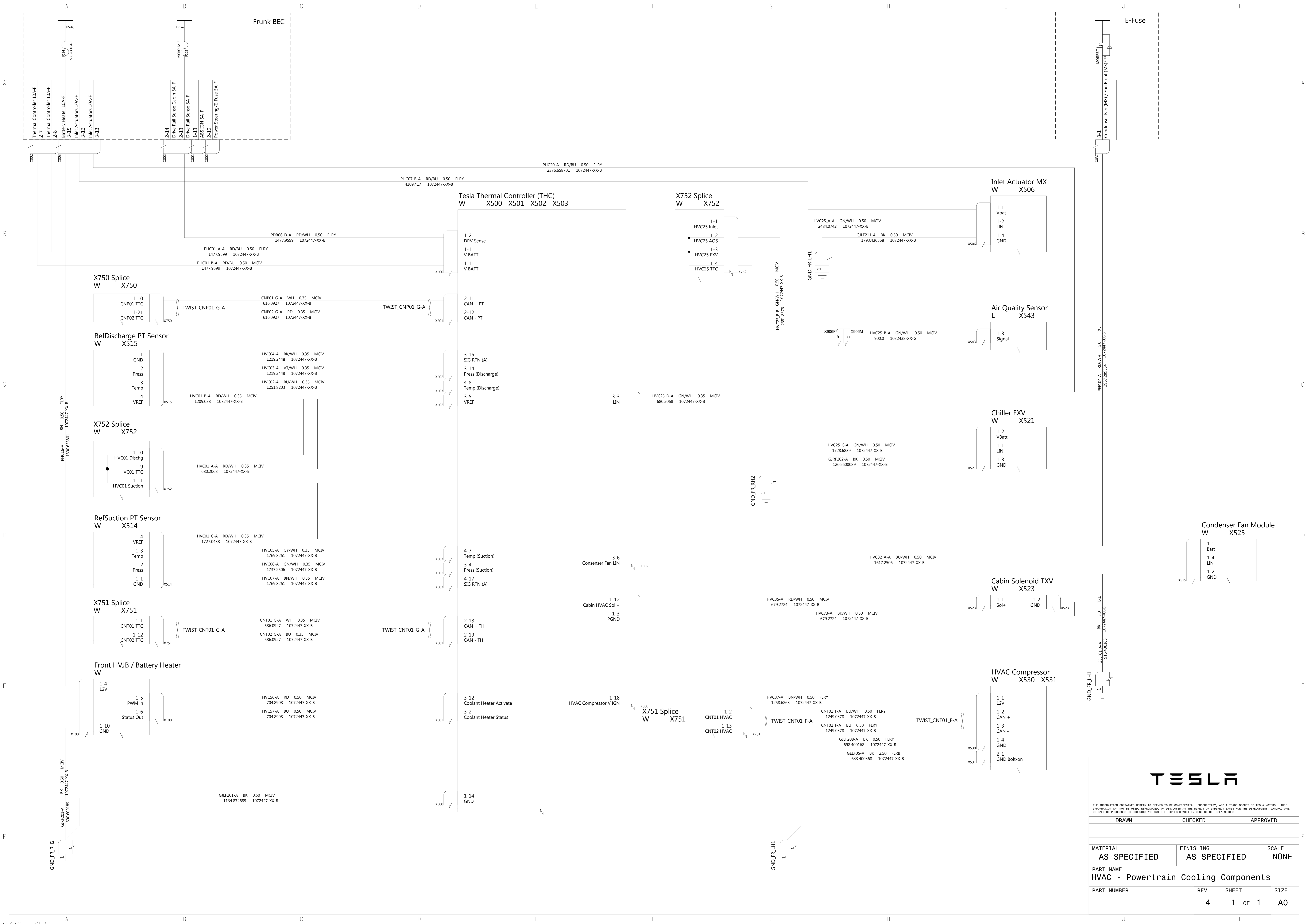
THE INFORMATION CONTAINED HEREIN IS DESIGNED TO BE CONFIDENTIAL, PROPRIETARY, AND A TRADE SECRET OF TESLA MOTORS. THIS INFORMATION MAY NOT BE USED, REPRODUCED, OR DISCLOSED AS THE OBJECT OR SUBJECT MATTER FOR THE DEVELOPMENT, MANUFACTURE, OR SALE OF PROCESSES OR PRODUCTS WITHOUT THE EXPRESS WRITTEN CONSENT OF TESLA MOTORS.

DRAWN	CHECKED	APPROVED
-------	---------	----------

MATERIAL AS SPECIFIED	FINISHING AS SPECIFIED	SCALE NONE
--------------------------	---------------------------	---------------

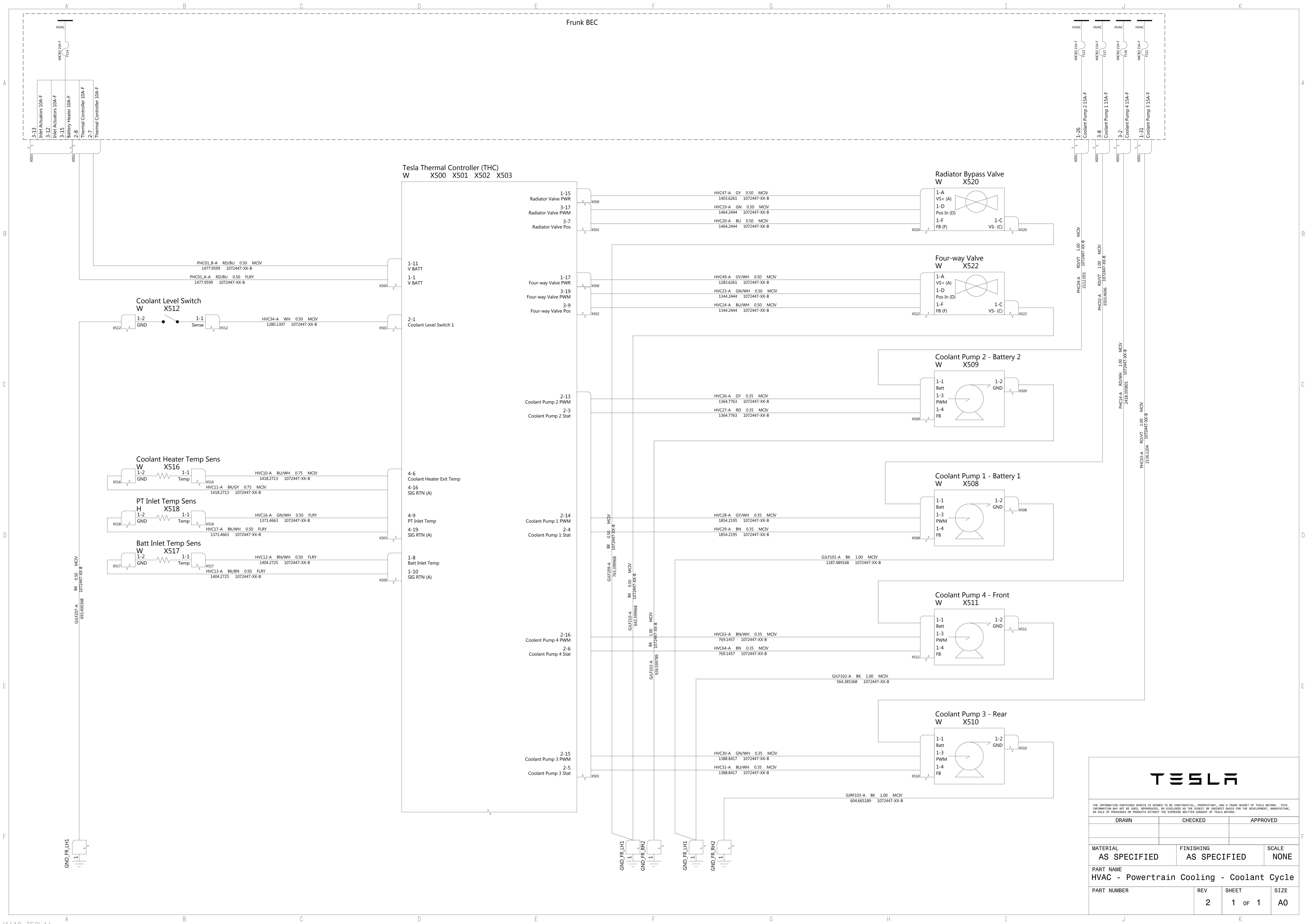
PART NAME
HVAC - Cabin Climate and Rear Defrost P2

PART NUMBER	REV	SHEET	SIZE
	4	2 OF 2	A0

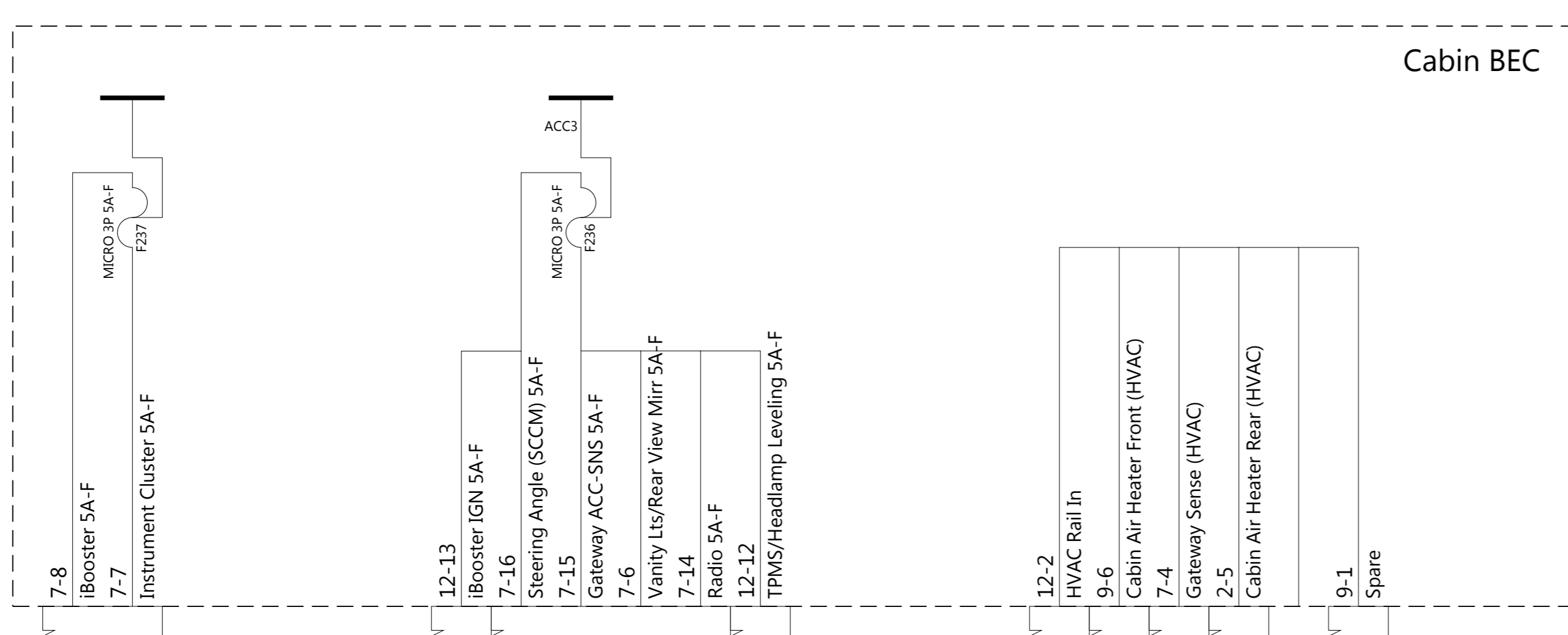


TESLA			
THE INFORMATION CONTAINED HEREIN IS DEEMED TO BE CONFIDENTIAL, PROPRIETARY, AND A TRADE SECRET OF TESLA MOTORS. THIS INFORMATION MAY NOT BE USED, REPRODUCED, OR DISCLOSED AS THE DIRECT OR INDIRECT BASIS FOR THE DEVELOPMENT, MANUFACTURE, OR SALE OF PROCESSES OR PRODUCTS WITHOUT THE EXPRESS WRITTEN CONSENT OF TESLA MOTORS.			
DRAWN	CHECKED	APPROVED	
MATERIAL AS SPECIFIED	FINISHING AS SPECIFIED	SCALE NONE	
PART NAME HVAC - Powertrain Cooling Components			
PART NUMBER	REV 4	SHEET 1 of 1	SIZE AO

Frunk BEC



TESLA			
THE INFORMATION CONTAINED HEREIN IS DEEMED TO BE CONFIDENTIAL, PROPRIETARY, AND A TRADE SECRET OF TESLA MOTORS. THIS INFORMATION MAY NOT BE USED, REPRODUCED, OR DISCLOSED AS THE DIRECT OR INDIRECT BASIS FOR THE DEVELOPMENT, MANUFACTURE, OR SALE OF PROCESSES OR PRODUCTS WITHOUT THE EXPRESS WRITTEN CONSENT OF TESLA MOTORS.			
DRAWN	CHECKED	APPROVED	
MATERIAL AS SPECIFIED	FINISHING AS SPECIFIED	SCALE NONE	
PART NAME HVAC - Powertrain Cooling - Coolant Cycle			
PART NUMBER	REV 2	SHEET 1 of 1	SIZE AO



Front Body Control Module (BCFRONT) DV3
W X050 X051 X052

Instrument Cluster (IC)
J X177 X861

Center Display / Gateway E
J X170 X171 X173 X174 X175

Homelink
L X485

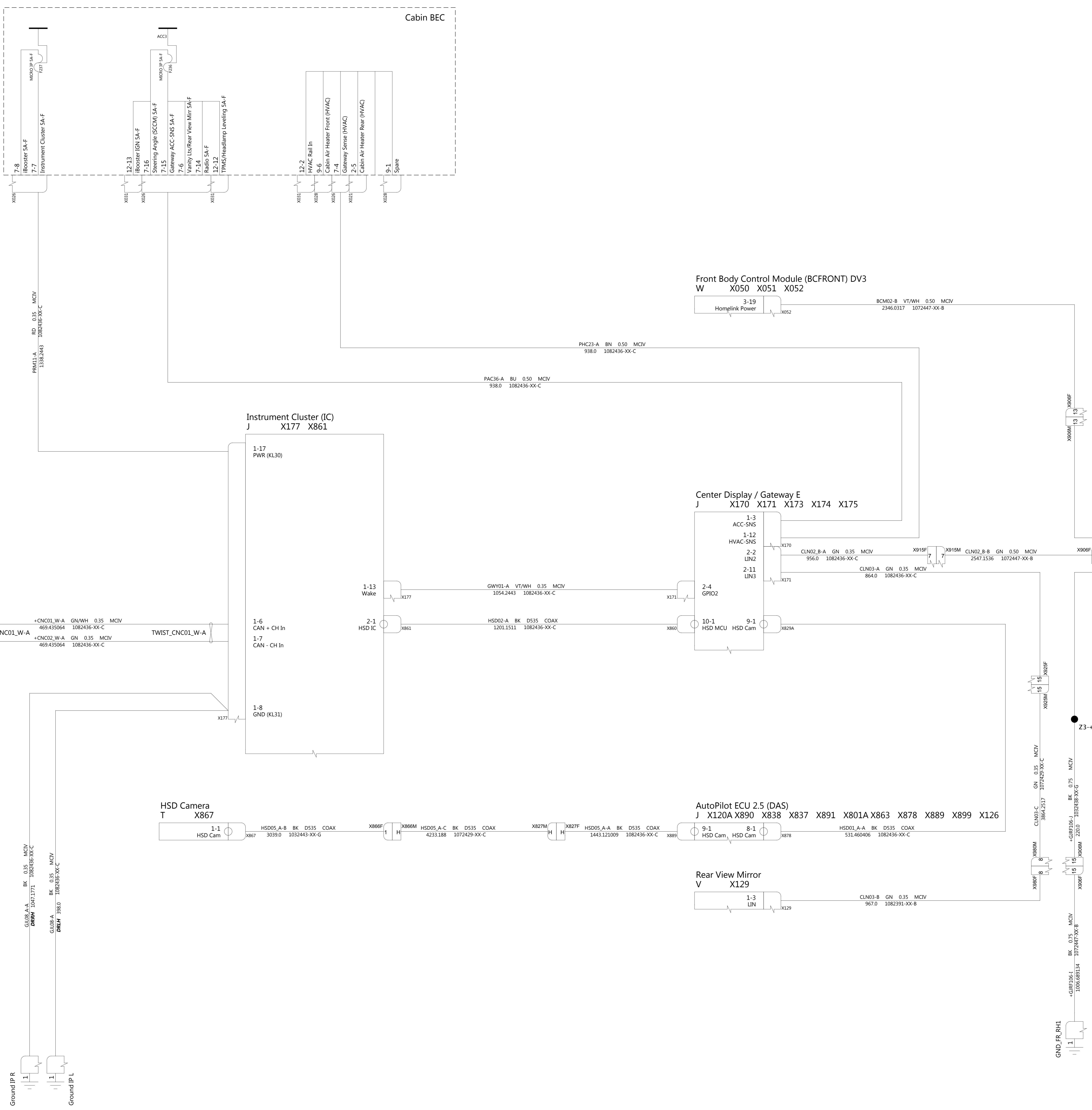
X730 Splice
J X730

HSD Camera
T X867

AutoPilot ECU 2.5 (DAS)
J X120A X890 X838 X837 X891 X801A X863 X878 X889 X899 X126

Rear View Mirror
V X129

Note:
Homelink VOpt1/VOpt2: Connector X485A
Homelink II/IV: Connector X485



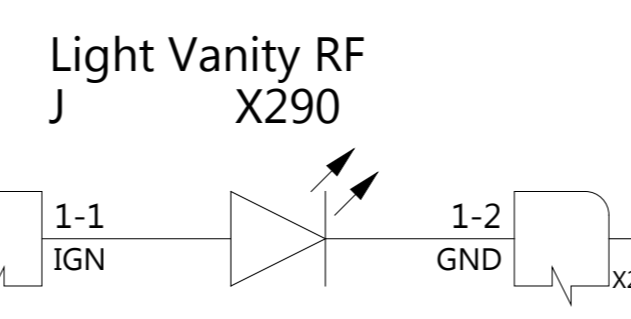
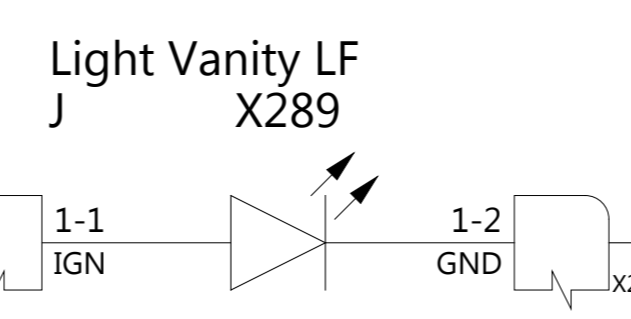
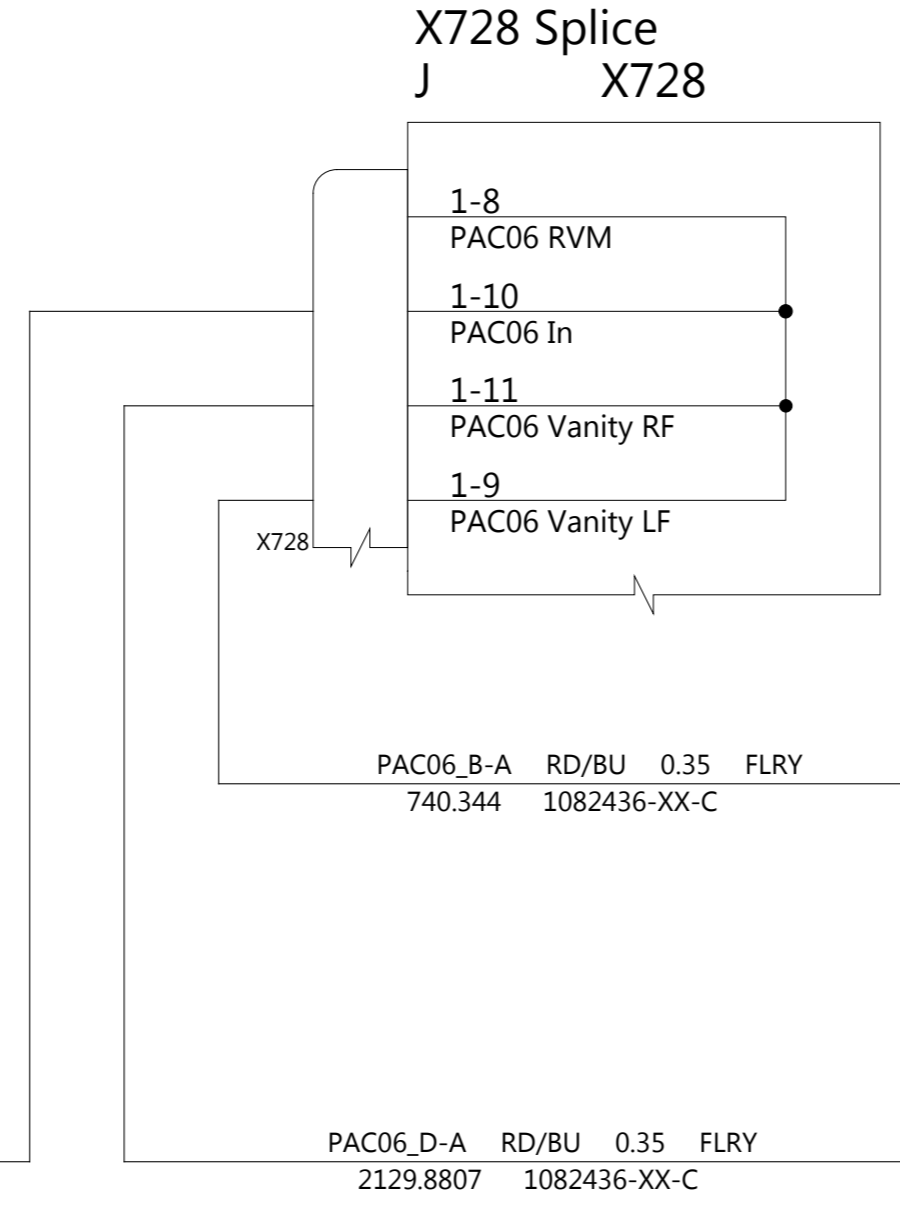
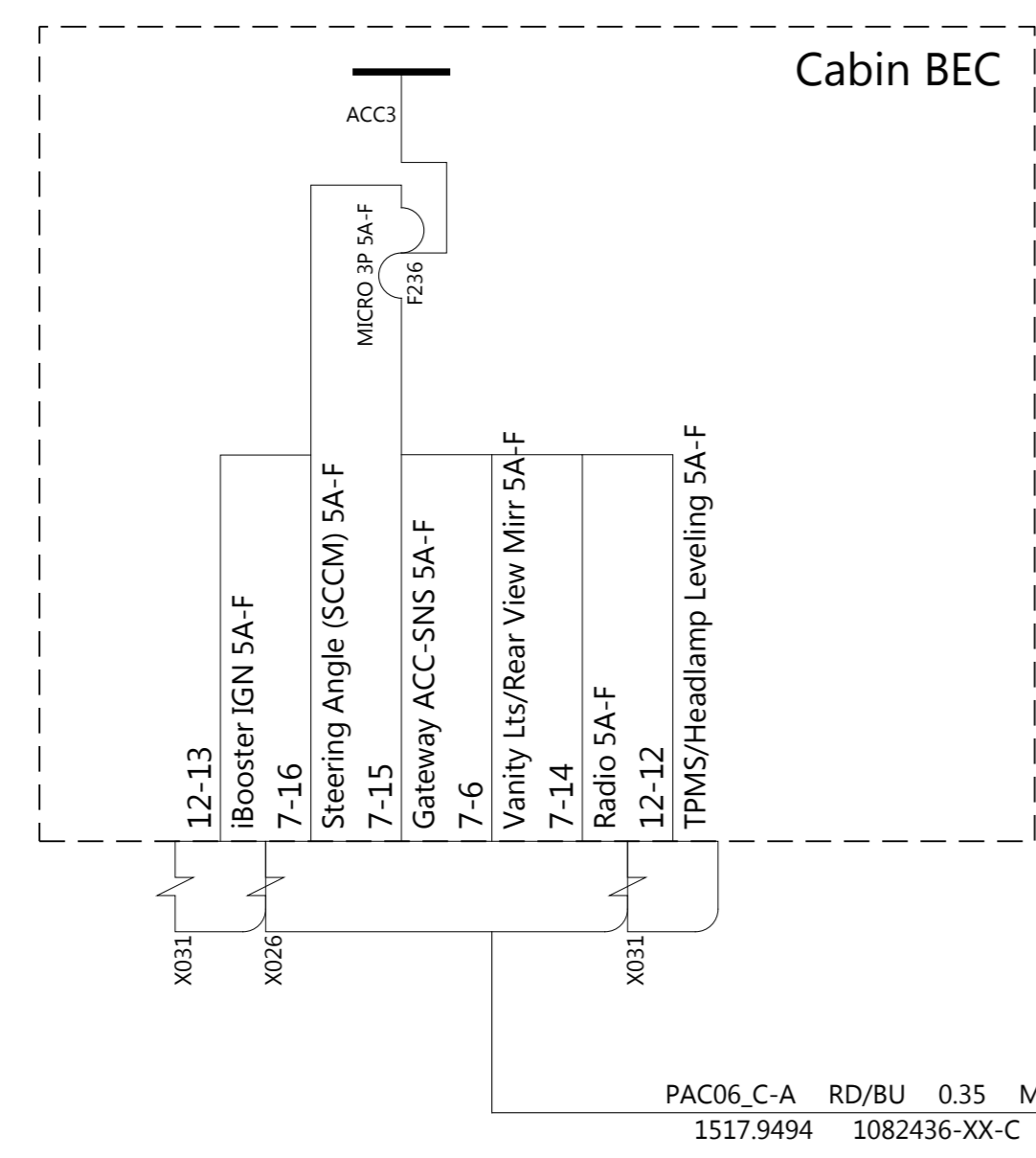
THE INFORMATION CONTAINED HEREIN IS DEEMED TO BE CONFIDENTIAL, PROPRIETARY, AND A TRADE SECRET OF TESLA MOTORS. THIS INFORMATION MAY NOT BE USED, REPRODUCED, OR DISCLOSED AS THE DIRECT OR INDIRECT BASIS FOR THE DEVELOPMENT, MANUFACTURE, OR SALE OF PROCESSES OR PRODUCTS WITHOUT THE EXPRESSED WRITTEN CONSENT OF TESLA MOTORS.

DRAWN	CHECKED	APPROVED
-------	---------	----------

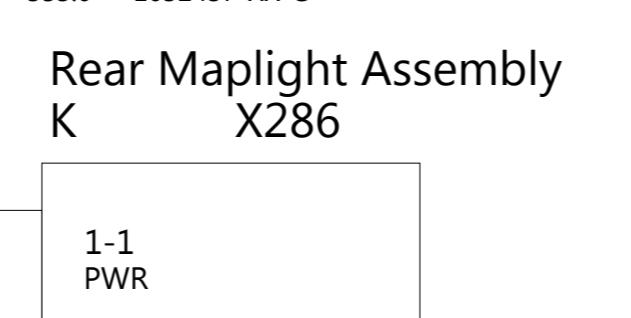
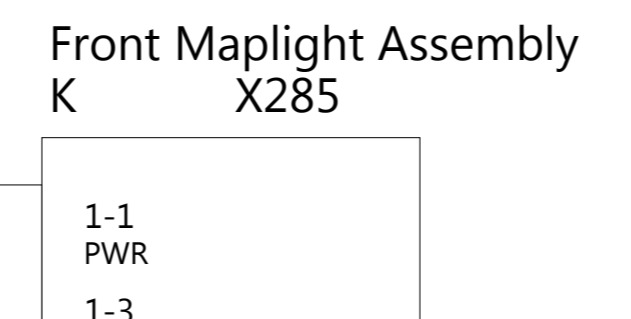
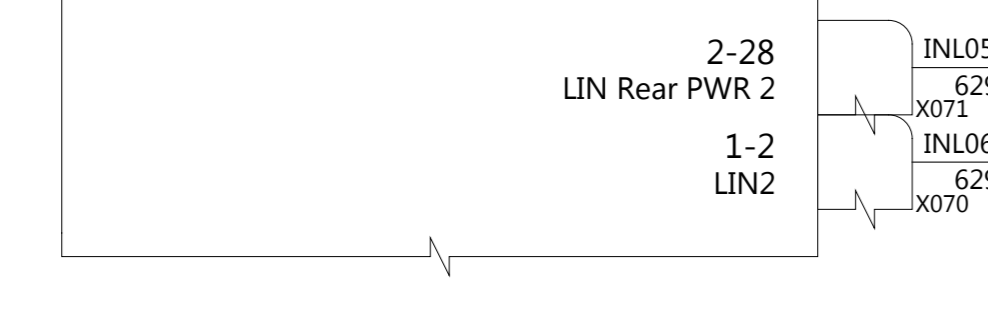
MATERIAL AS SPECIFIED	FINISHING AS SPECIFIED	SCALE NONE
--------------------------	---------------------------	---------------

PART NAME
Instrument Cluster / LIN

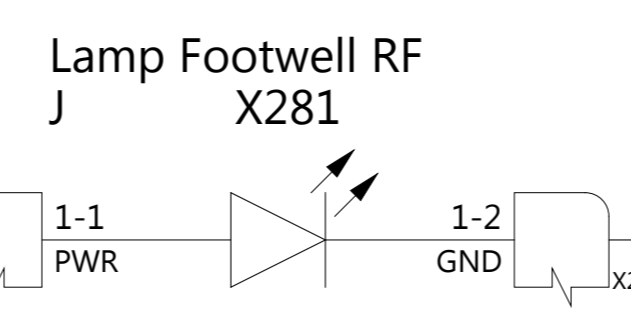
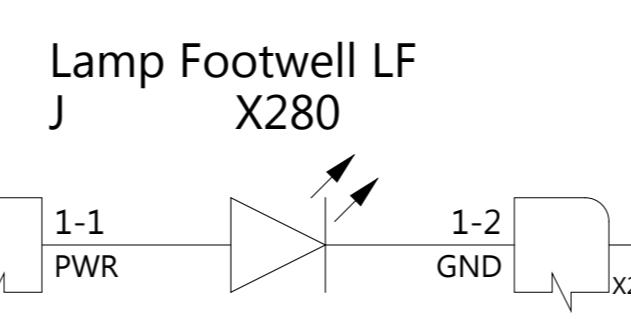
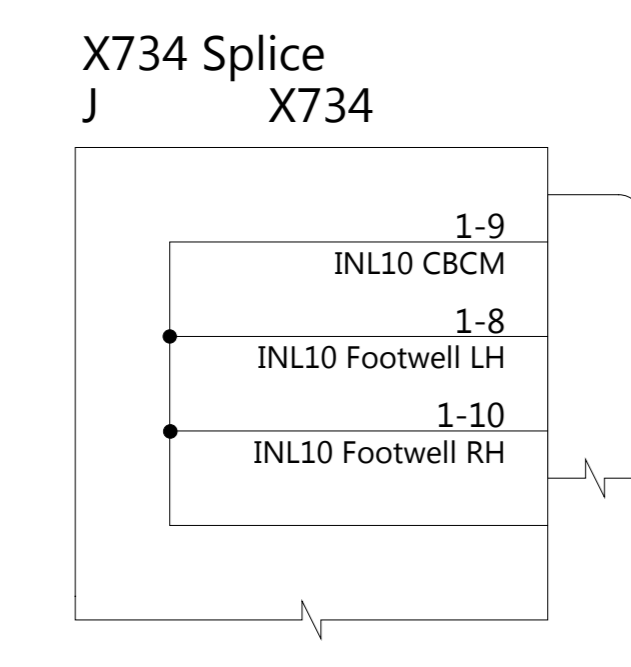
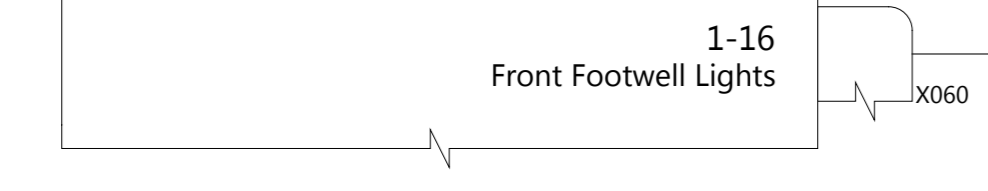
PART NUMBER	REV	SHEET	SIZE
	4	1 OF 1	A0



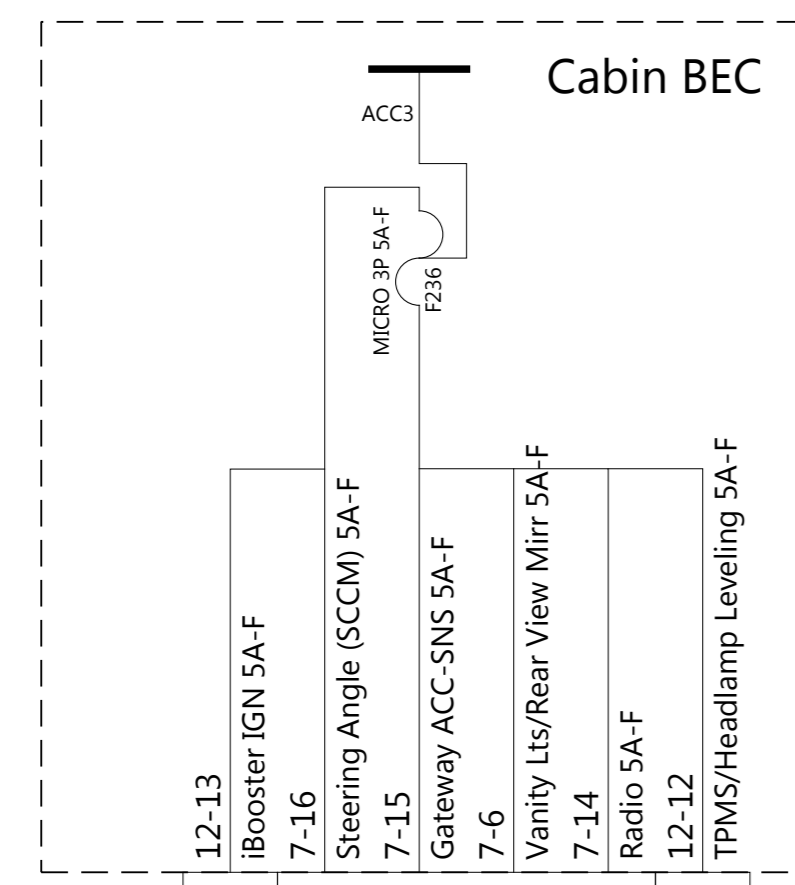
Rear Body Control Module (BCREAR) DV3
H X070 X071 X072 X073 X078



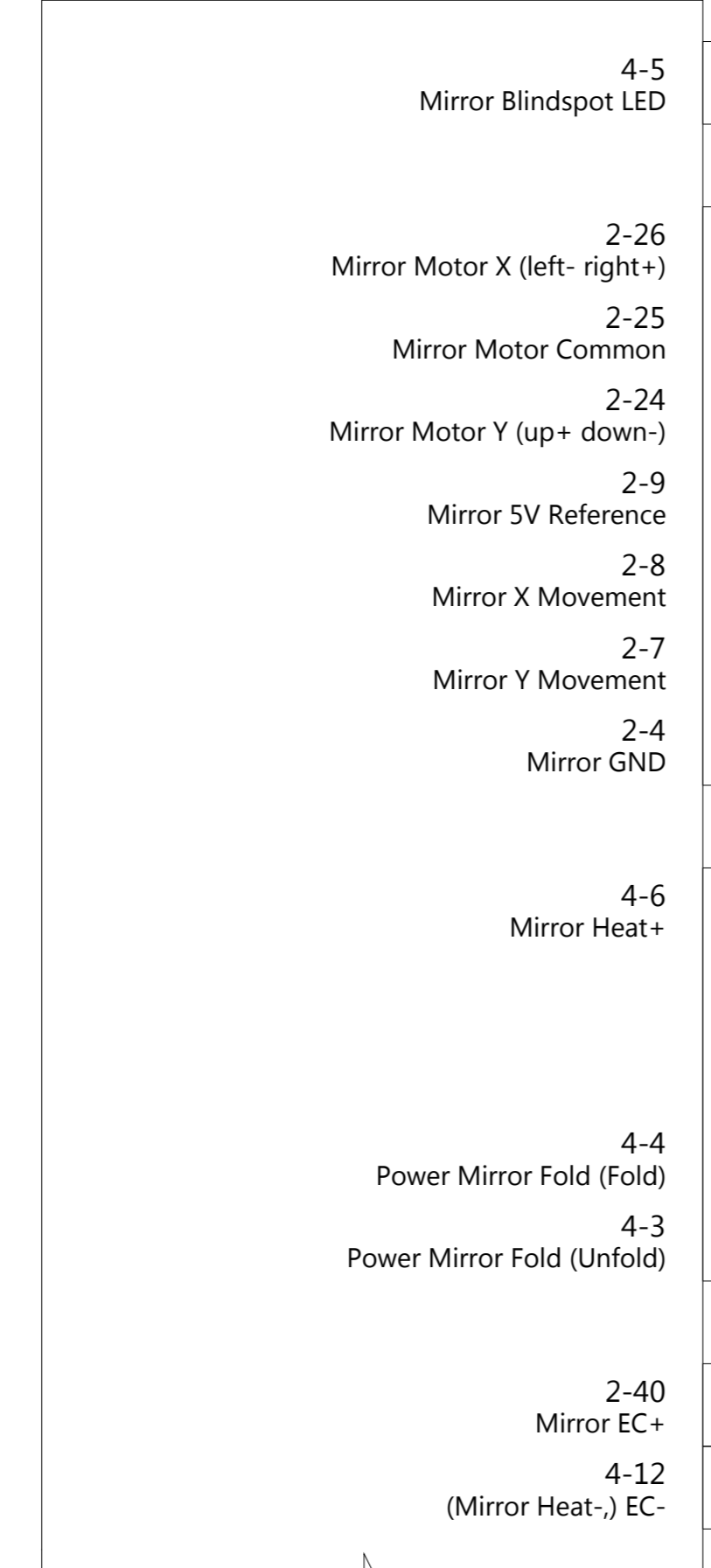
Central Body Control Module (BCCEN) DV3
H,J,W X060 X061 X062 X063



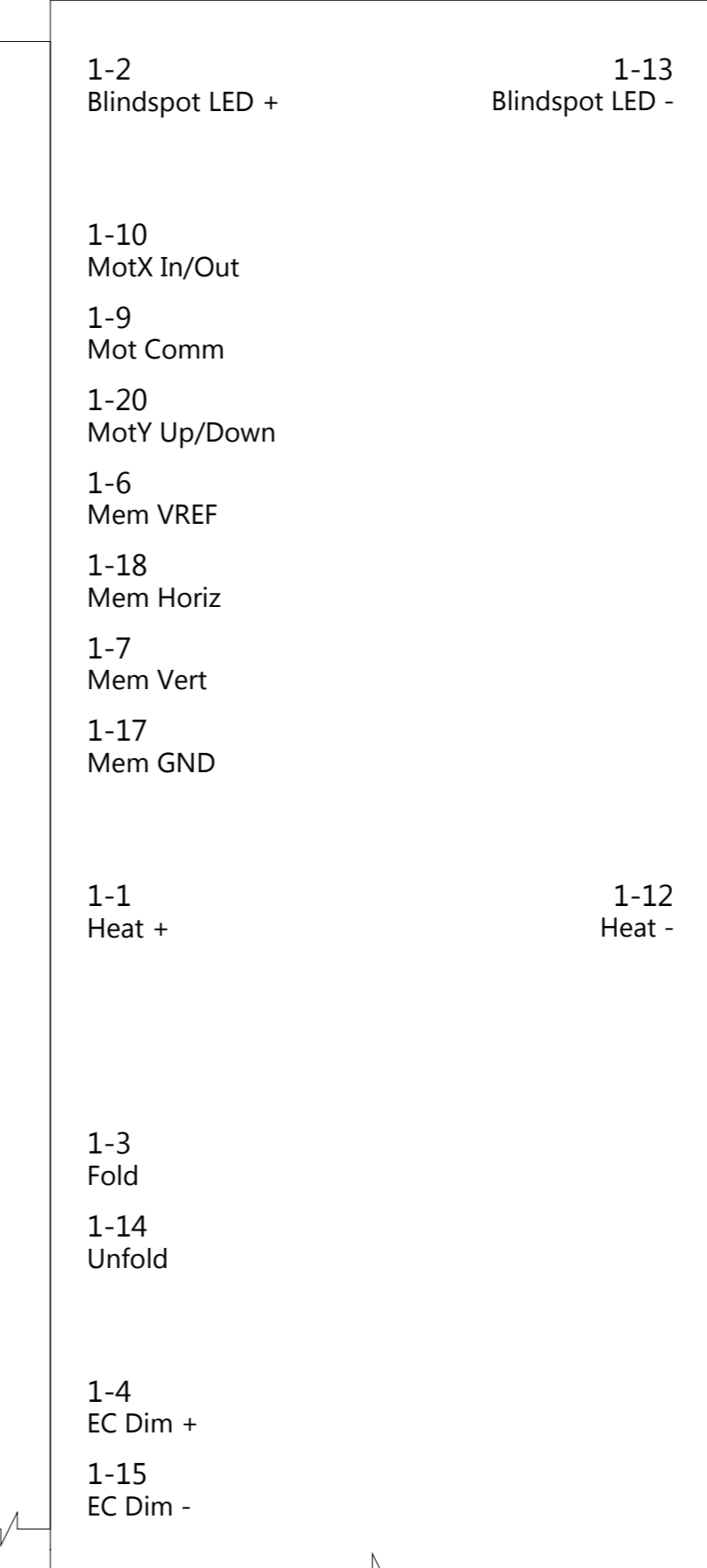
TESLA			
THE INFORMATION CONTAINED HEREIN IS DEEMED TO BE CONFIDENTIAL, PROPRIETARY, AND A TRADE SECRET OF TESLA MOTORS. THIS INFORMATION MAY NOT BE USED, REPRODUCED, OR DISCLOSED AS THE DIRECT OR INDIRECT BASIS FOR THE DEVELOPMENT, MANUFACTURE, OR SALE OF PROCESSES OR PRODUCTS WITHOUT THE EXPRESS WRITTEN CONSENT OF TESLA MOTORS.			
DRAWN	CHECKED	APPROVED	
MATERIAL AS SPECIFIED	FINISHING AS SPECIFIED	SCALE NONE	
PART NAME Interior Illumination Maplights			
PART NUMBER	REV 1	SHEET 1 of 1	SIZE AO



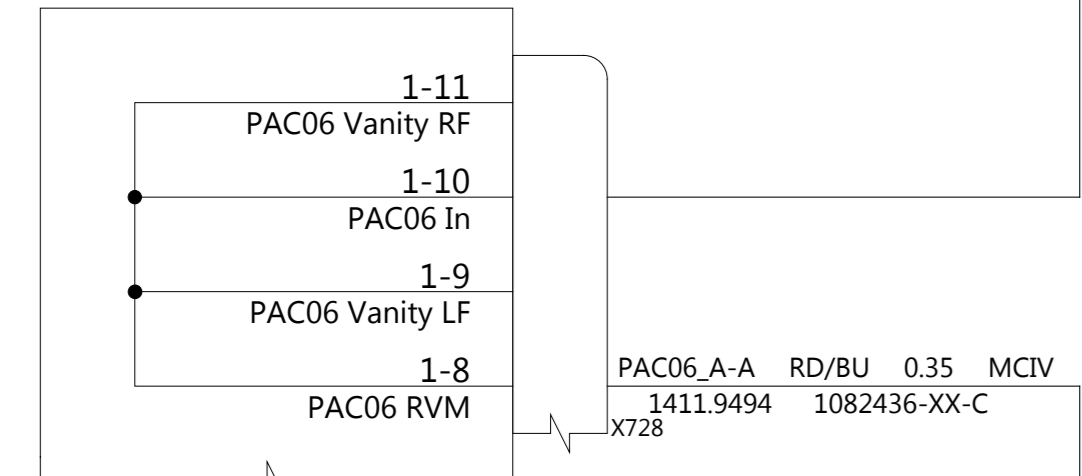
Door Control Module LF (BCFDM) DV3
D X360 X361 X362 X363



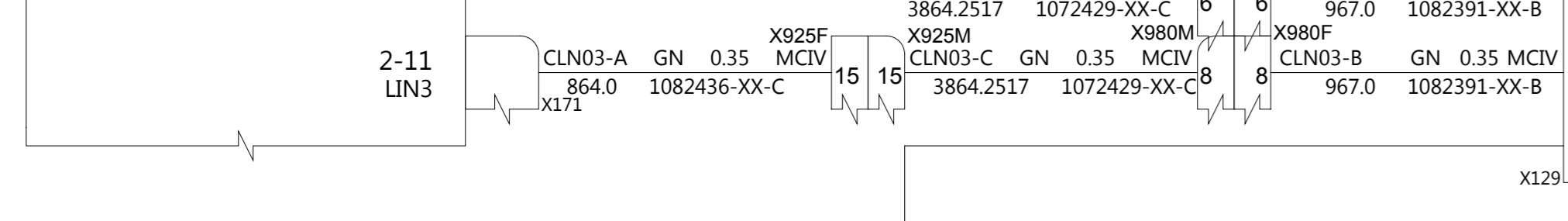
Mirror Side Left
D X374



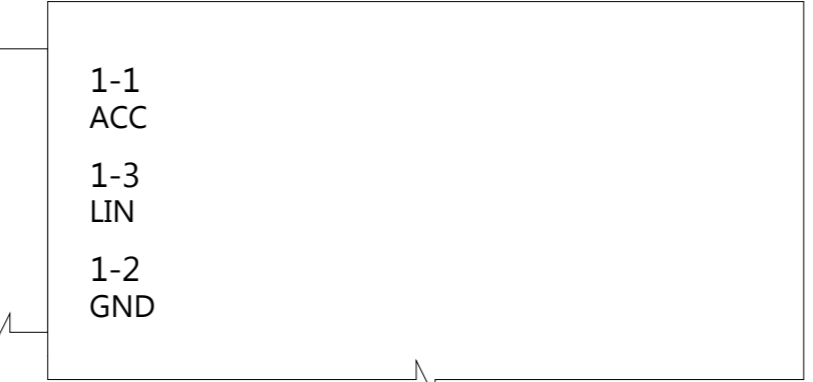
X728 Splice
J X728



Center Display / Gateway E
J X170 X171 X173 X174 X175

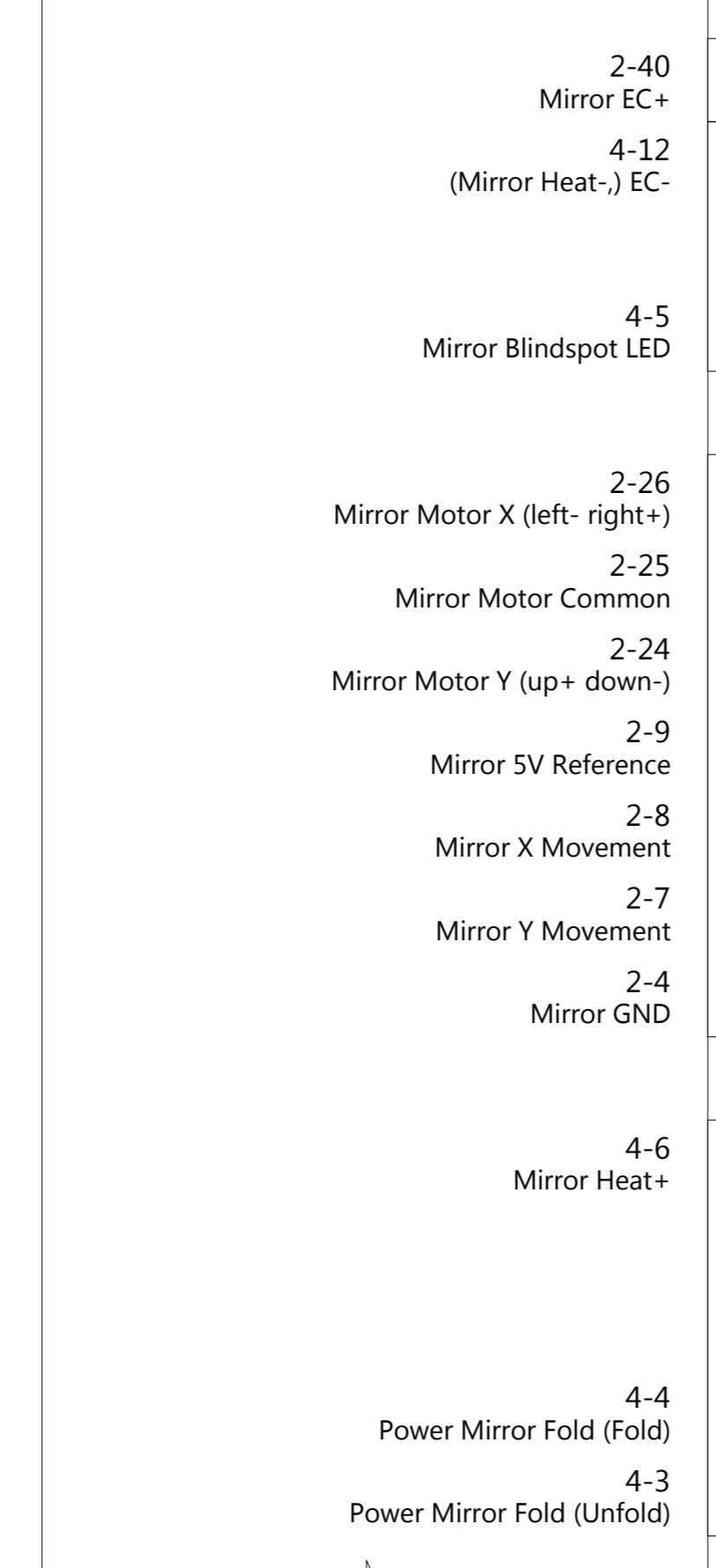


Rear View Mirror
V X129

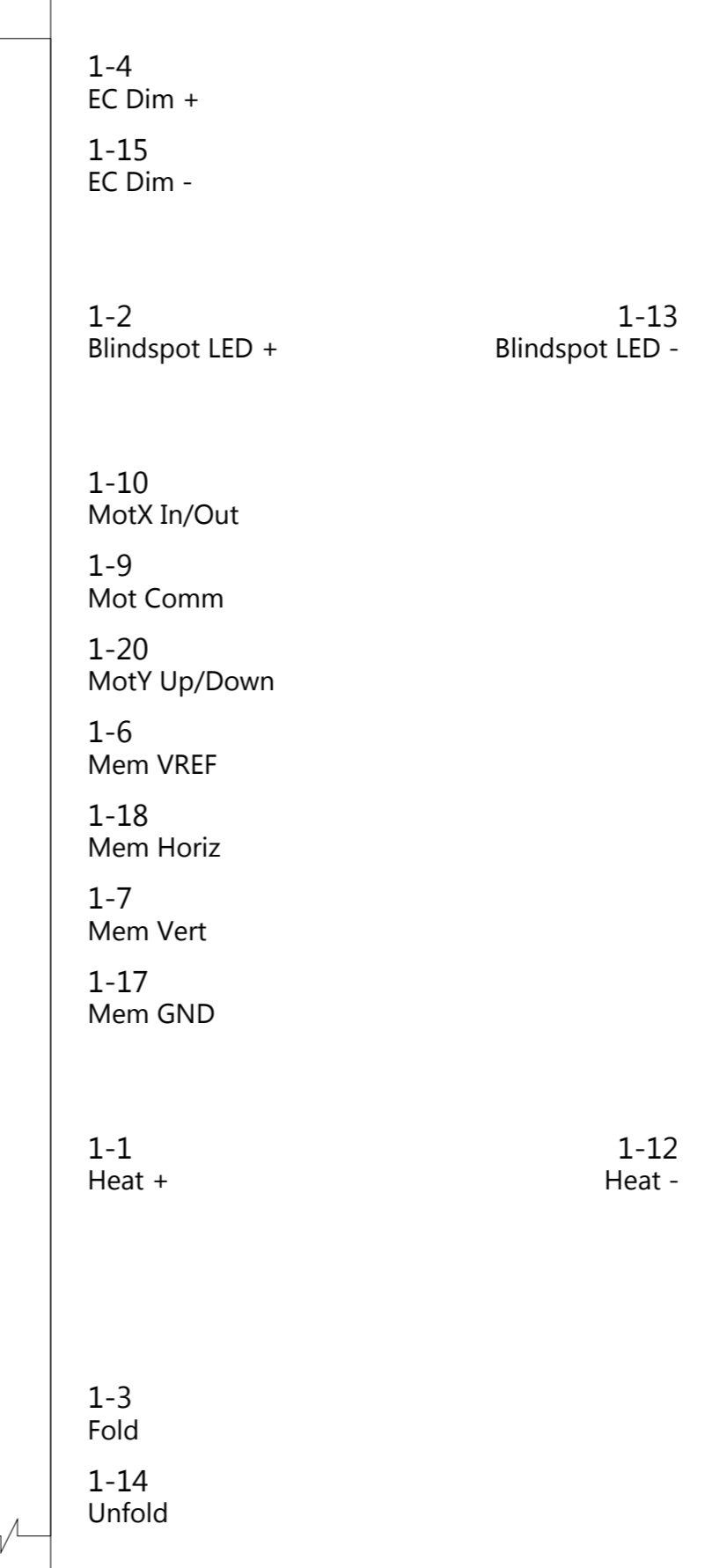


EC dimming command via LIN from RVM to Gateway.
Then over Body CAN to Door Control Modules

Door Control Module RF (BCFPM) DV3
P X390 X391 X392 X393



Mirror Side Right
P X404



Ground Lower B-Pillar

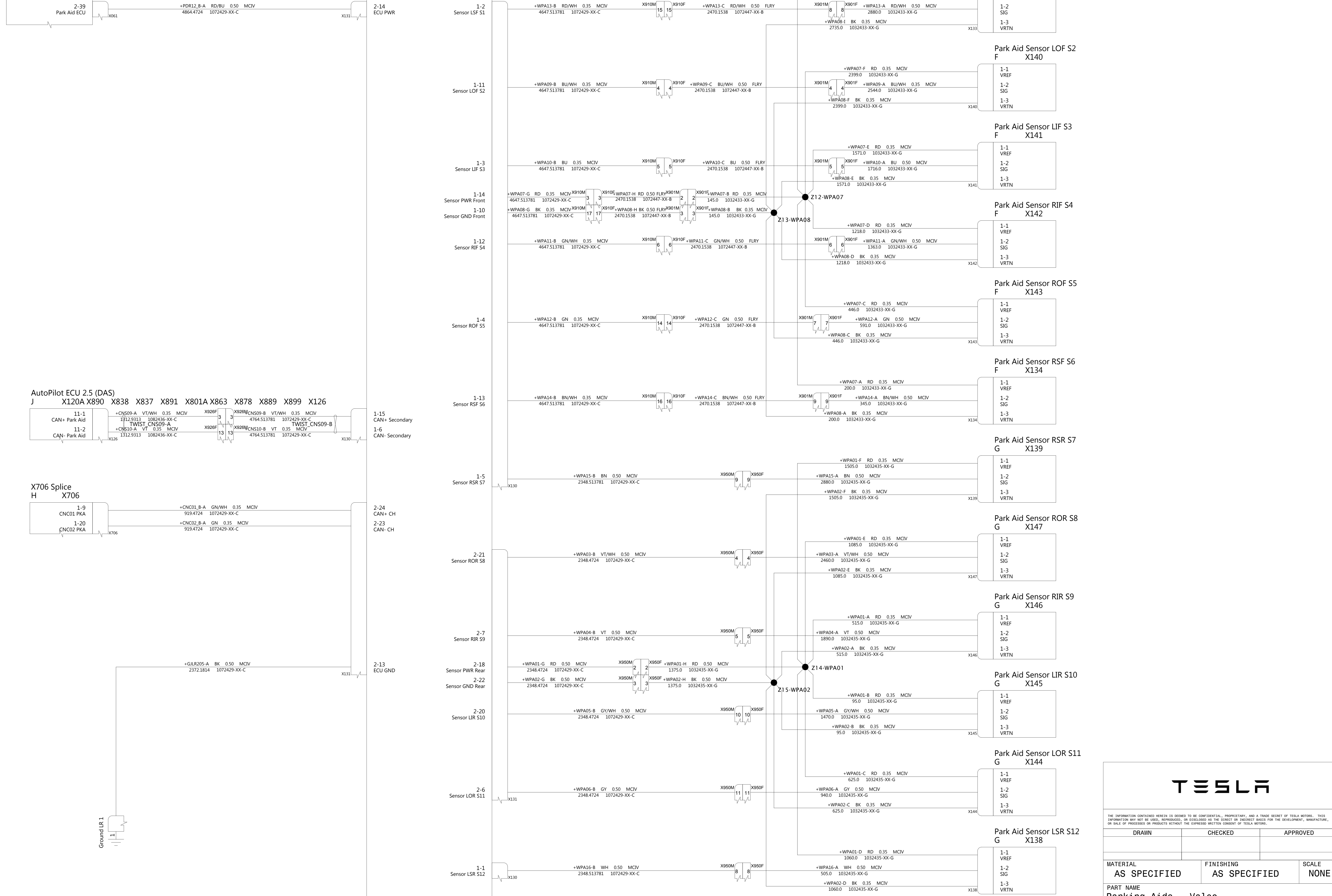
Ground Door LH

Ground Door RH

TESLA					
THE INFORMATION CONTAINED HEREIN IS DEEMED TO BE CONFIDENTIAL, PROPRIETARY, AND A TRADE SECRET OF TESLA MOTORS. THIS INFORMATION MAY NOT BE USED, REPRODUCED, OR DISCLOSED AS THE DIRECT OR INDIRECT BASIS FOR THE DEVELOPMENT, MANUFACTURE, OR SALE OF PROCESSES OR PRODUCTS WITHOUT THE EXPRESS WRITTEN CONSENT OF TESLA MOTORS.					
DRAWN		CHECKED		APPROVED	
MATERIAL AS SPECIFIED		FINISHING AS SPECIFIED		SCALE NONE	
PART NAME Mirrors - Center and Side					
PART NUMBER		REV	SHEET	SIZE	
		2	1 of 1	AO	

Central Body Control Module (BCCEN) DV3
H,J,W X060 X061 X062 X063 X824 X858 X857 X856

Park Aid ECU Valeo (PARK)
H X130 X131

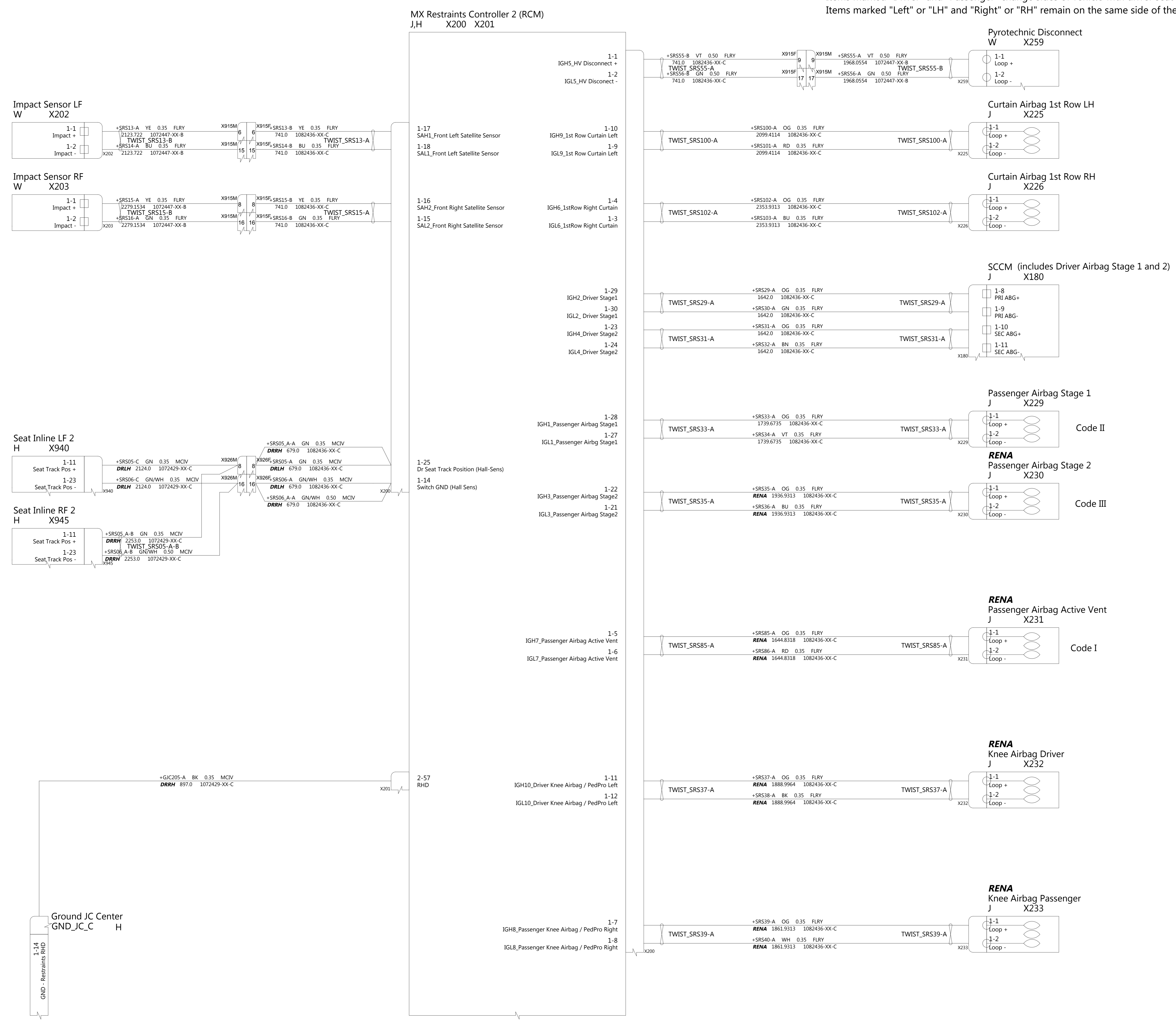


TESLA

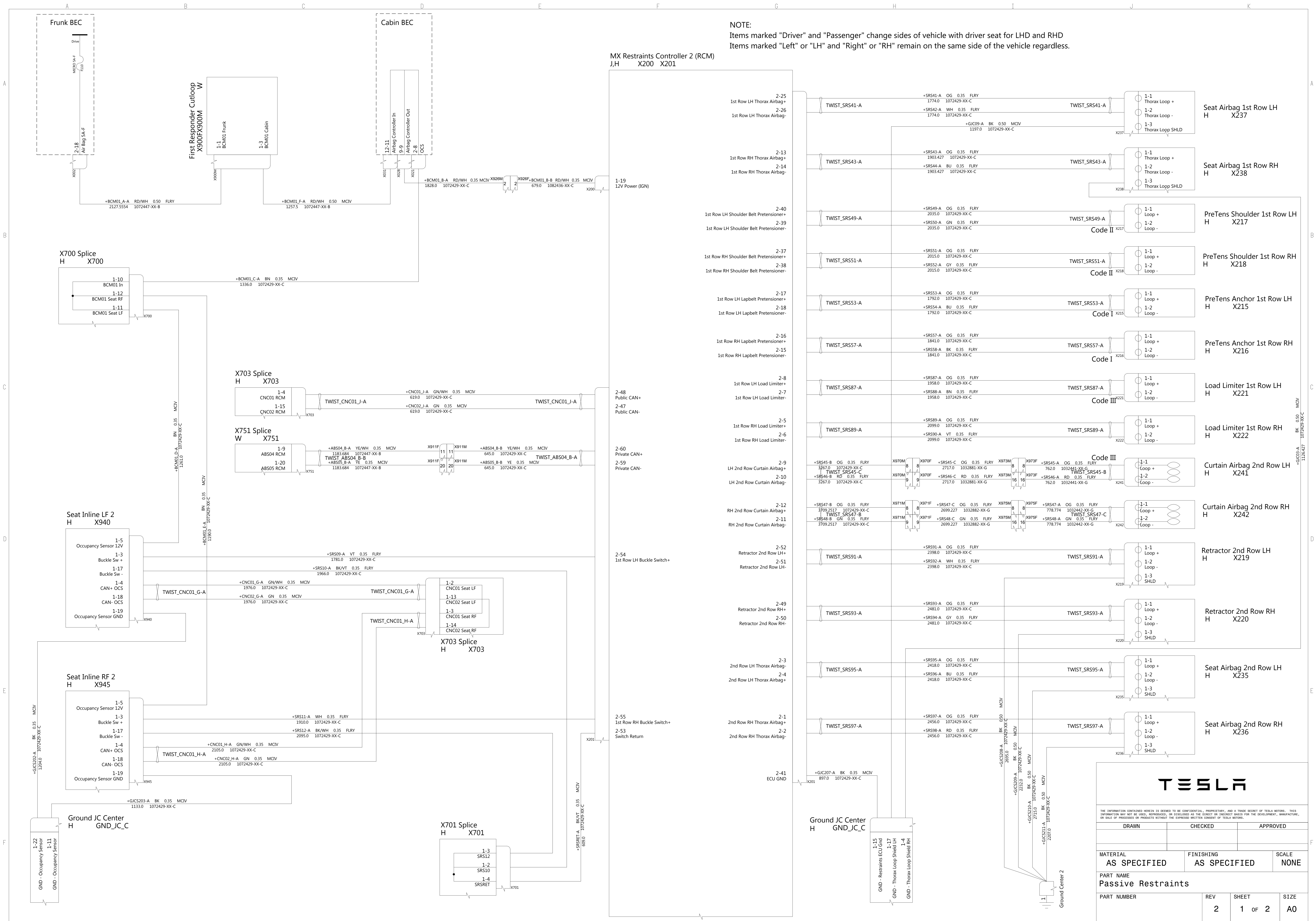
THE INFORMATION CONTAINED HEREIN IS DEEMED TO BE CONFIDENTIAL, PROPRIETARY, AND A TRADE SECRET OF TESLA MOTORS. THIS INFORMATION MAY NOT BE USED, REPRODUCED, OR DISCLOSED AS THE DIRECT OR INDIRECT BASIS FOR THE DEVELOPMENT, MANUFACTURE, OR SALE OF PROCESSES OR PRODUCTS WITHOUT THE EXPRESS WRITTEN CONSENT OF TESLA MOTORS.

DRAWN	CHECKED	APPROVED
MATERIAL AS SPECIFIED	FINISHING AS SPECIFIED	SCALE NONE
PART NAME Parking Aids - Valeo		
PART NUMBER	REV 5	SHEET 1 of 1
		SIZE AO

NOTE:
 Items marked "Driver" and "Passenger" change sides of vehicle with driver seat for LHD and RHD
 Items marked "Left" or "LH" and "Right" or "RH" remain on the same side of the vehicle regardless.

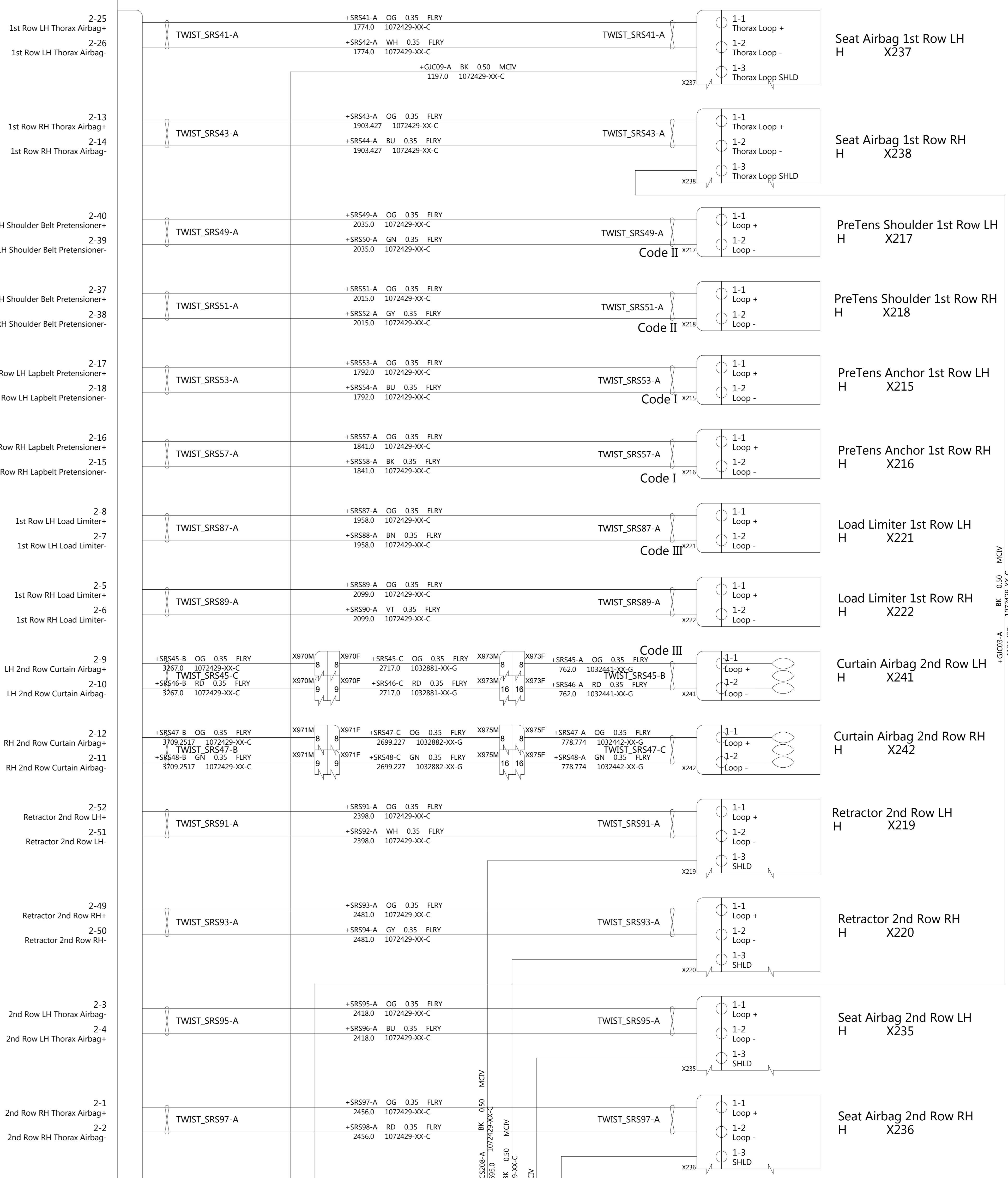


TESLA			
THE INFORMATION CONTAINED HEREIN IS DEEMED TO BE CONFIDENTIAL, PROPRIETARY, AND A TRADE SECRET OF TESLA MOTORS. THIS INFORMATION MAY NOT BE USED, REPRODUCED, OR DISCLOSED AS THE DIRECT OR INDIRECT BASIS FOR THE DEVELOPMENT, MANUFACTURE, OR SALE OF PROCESSES OR PRODUCTS WITHOUT THE EXPRESS WRITTEN CONSENT OF TESLA MOTORS.			
DRAWN	CHECKED	APPROVED	
MATERIAL AS SPECIFIED	FINISHING AS SPECIFIED	SCALE NONE	
PART NAME Passive Restraints - IP and Front			
PART NUMBER	REV 2	SHEET 1 of 1	SIZE AO



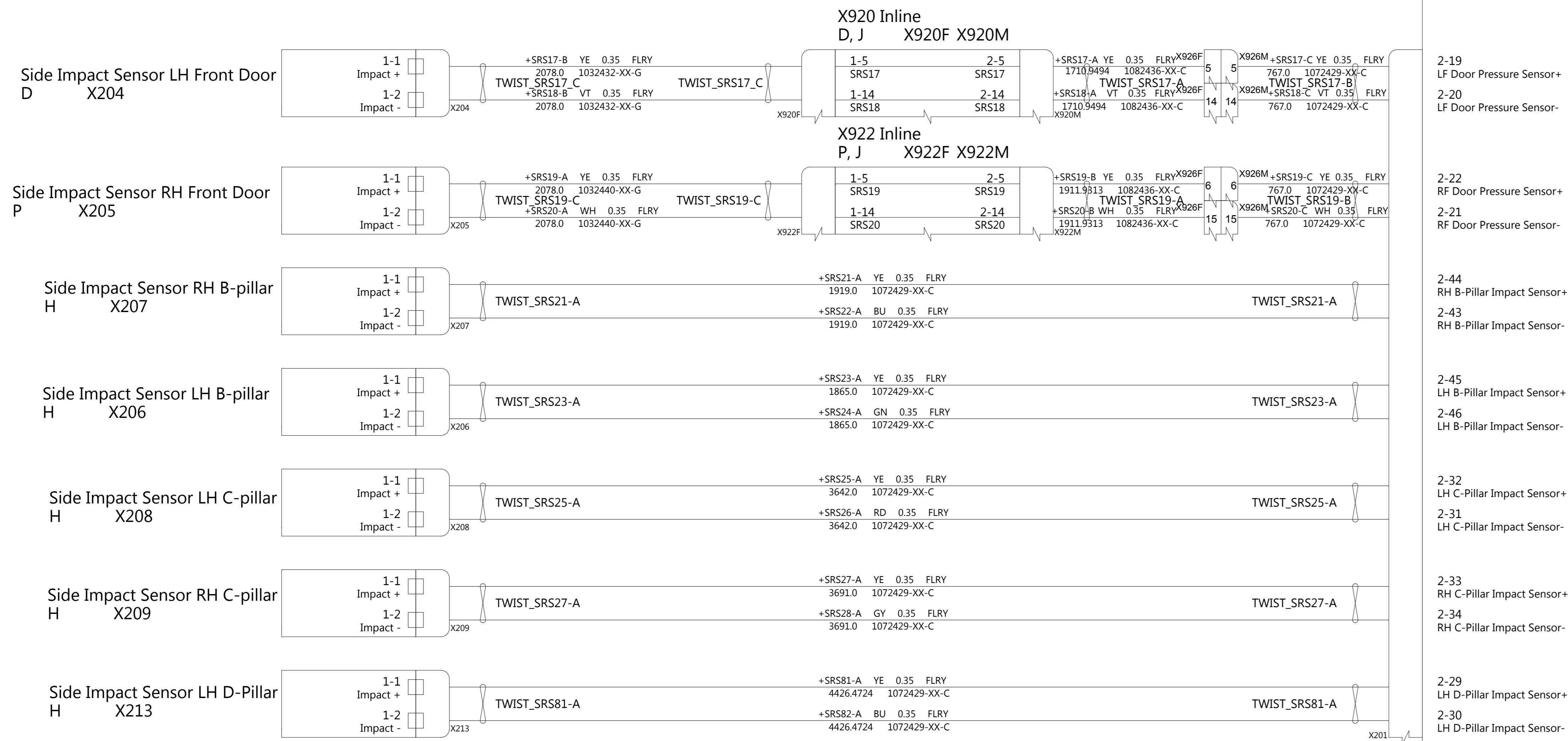
NOTE:
 Items marked "Driver" and "Passenger" change sides of vehicle with driver seat for LHD and RHD
 Items marked "Left" or "LH" and "Right" or "RH" remain on the same side of the vehicle regardless.

MX Restraints Controller 2 (RCM)
 J,H X200 X201



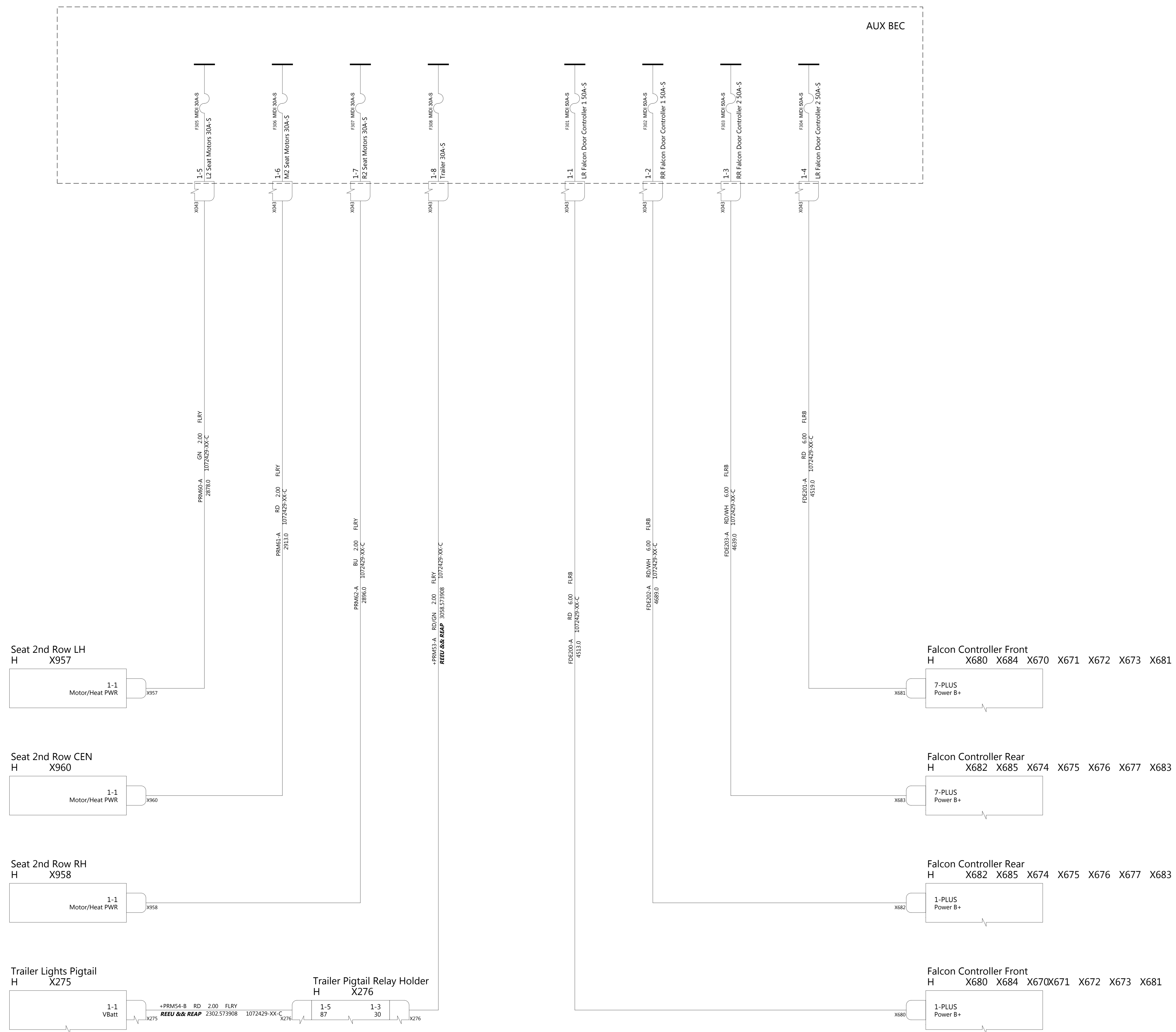
TESLA		
THE INFORMATION CONTAINED HEREIN IS DEEMED TO BE CONFIDENTIAL, PROPRIETARY, AND A TRADE SECRET OF TESLA MOTORS. THIS INFORMATION MAY NOT BE USED, REPRODUCED, OR DISCLOSED AS THE DIRECT OR INDIRECT BASIS FOR THE DEVELOPMENT, MANUFACTURE, OR SALE OF PROCESSOR OR PRODUCTS WITHOUT THE EXPRESS WRITTEN CONSENT OF TESLA MOTORS.		
DRAWN	CHECKED	APPROVED
MATERIAL AS SPECIFIED	FINISHING AS SPECIFIED	SCALE NONE
PART NAME Passive Restraints		
PART NUMBER	REV	SHEET
	2	1 of 2
		SIZE AO

MX Restraints Controller 2 (RCM)
J,H X200 X201



THE INFORMATION CONTAINED HEREIN IS DEEMED TO BE CONFIDENTIAL, PROPRIETARY, AND A TRADE SECRET OF TESLA MOTORS. THIS INFORMATION MAY NOT BE USED, REPRODUCED, OR DISCLOSED AS THE DIRECT OR INDIRECT BASIS FOR THE DEVELOPMENT, MANUFACTURE, OR SALE OF PROCESSES OR PRODUCTS WITHOUT THE EXPRESS WRITTEN CONSENT OF TESLA MOTORS.

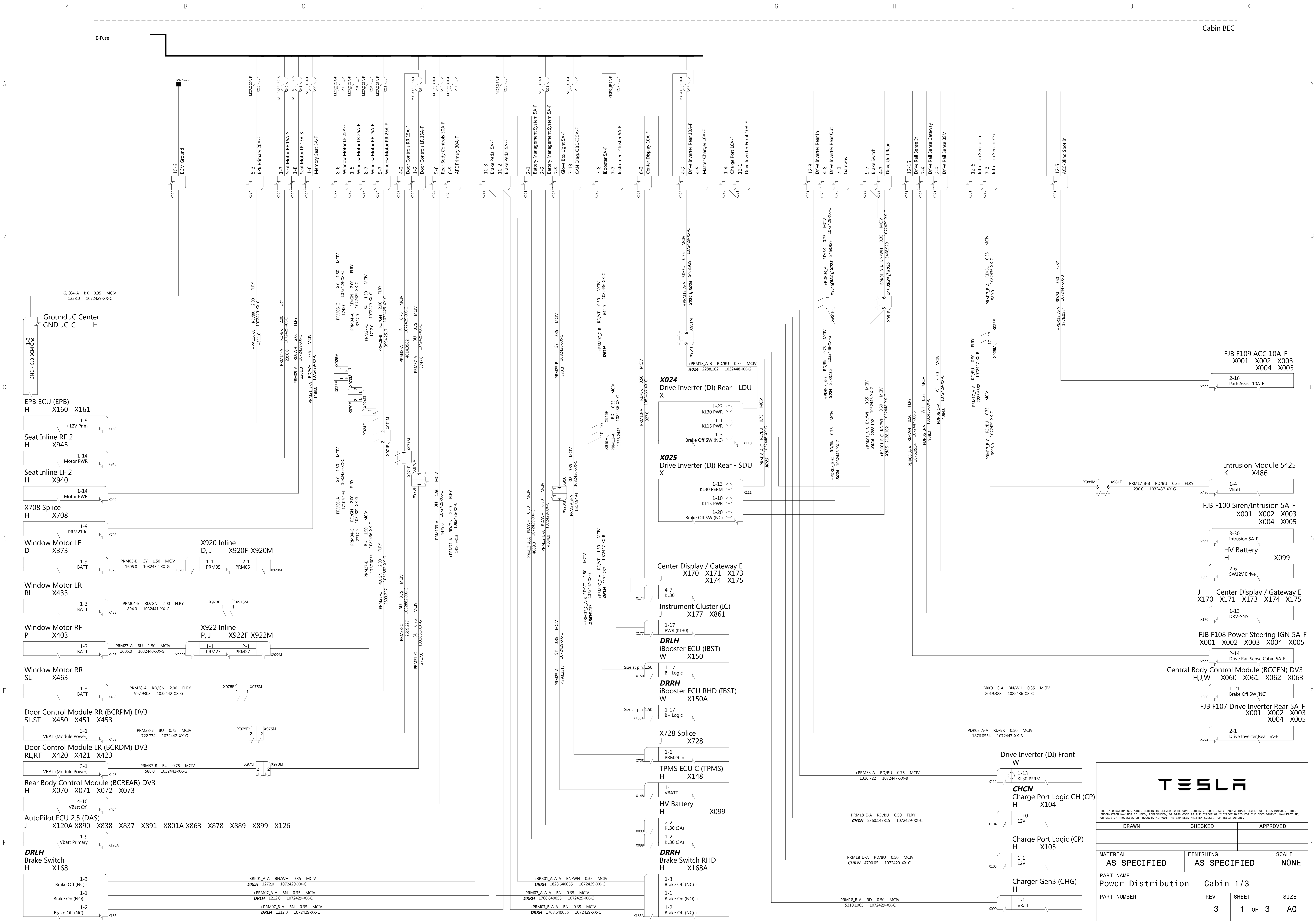
DRAWN	CHECKED	APPROVED
MATERIAL AS SPECIFIED	FINISHING AS SPECIFIED	SCALE NONE
PART NAME Passive Restraints p2		
PART NUMBER	REV 2	SHEET 2 OF 2
		SIZE AO



TESLA

THE INFORMATION CONTAINED HEREIN IS DEEMED TO BE CONFIDENTIAL, PROPRIETARY, AND A TRADE SECRET OF TESLA MOTORS. THIS INFORMATION MAY NOT BE USED, REPRODUCED, OR DISCLOSED AS THE DIRECT OR INDIRECT BASIS FOR THE DEVELOPMENT, MANUFACTURE, OR SALE OF PROCESSES OR PRODUCTS WITHOUT THE EXPRESSED WRITTEN CONSENT OF TESLA MOTORS.

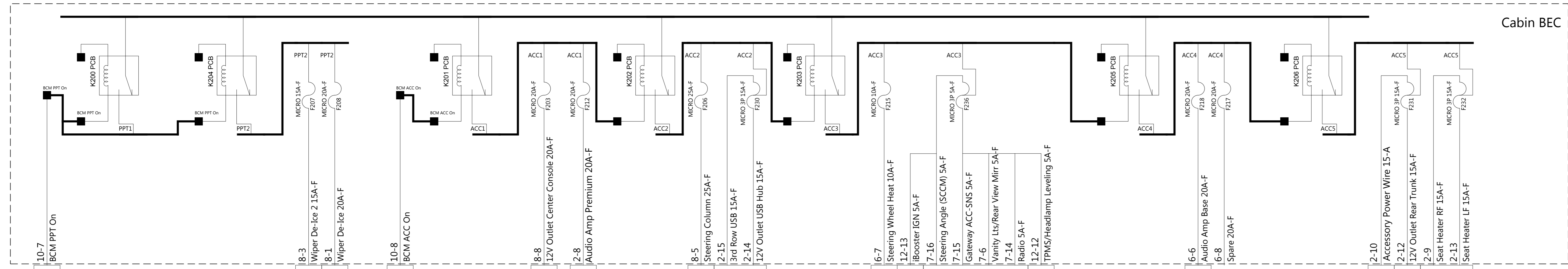
DRAWN	CHECKED	APPROVED
MATERIAL AS SPECIFIED	FINISHING AS SPECIFIED	SCALE NONE
PART NAME Power Distribution - Aux		
PART NUMBER	REV	SHEET
	1	1 OF 1
		SIZE A0



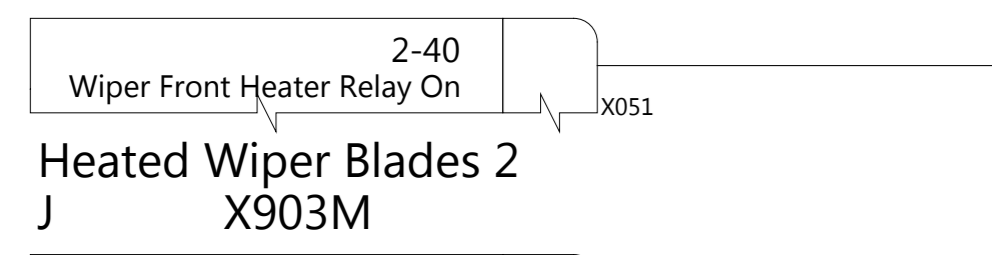
TESLA

THE INFORMATION CONTAINED HEREIN IS DEEMED TO BE CONFIDENTIAL, PROPRIETARY, AND A TRADE SECRET OF TESLA MOTORS. THIS INFORMATION MAY NOT BE USED, REPRODUCED, OR DISCLOSED AS THE DIRECT OR INDIRECT BASIS FOR THE DEVELOPMENT, MANUFACTURE, OR SALE OF PROCESSES OR PRODUCTS WITHOUT THE EXPRESS WRITTEN CONSENT OF TESLA MOTORS.

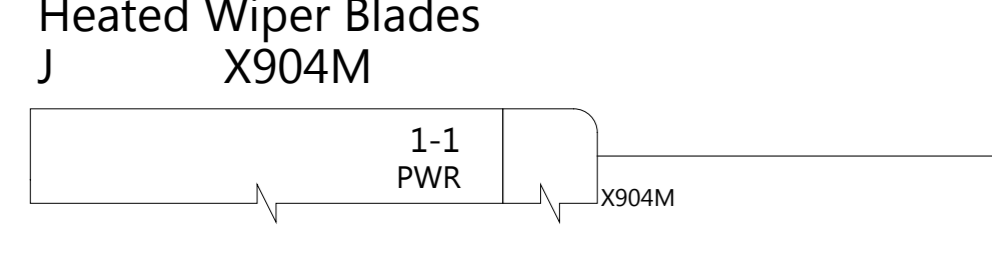
DRAWN	CHECKED	APPROVED
MATERIAL	FINISHING	SCALE
AS SPECIFIED	AS SPECIFIED	NONE
PART NAME		
Power Distribution - Cabin 1/3		
PART NUMBER	REV	SHEET
	3	1 of 3
SIZE		AO



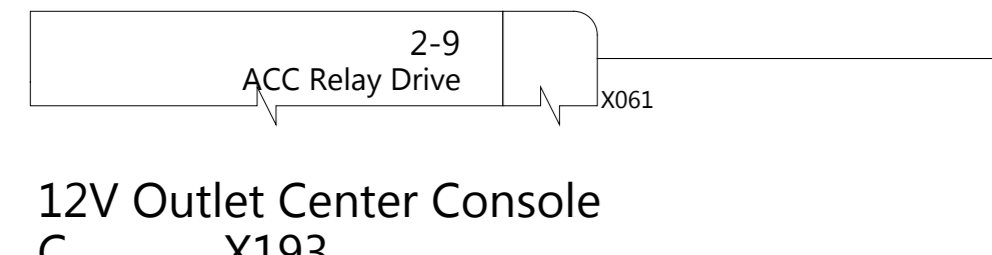
Front Body Control Module (BCFRONT) DV3
W X050 X051 X052



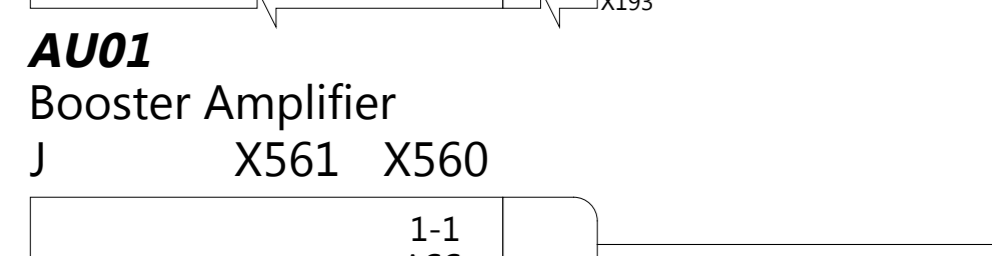
Heated Wiper Blades 2
J X903M



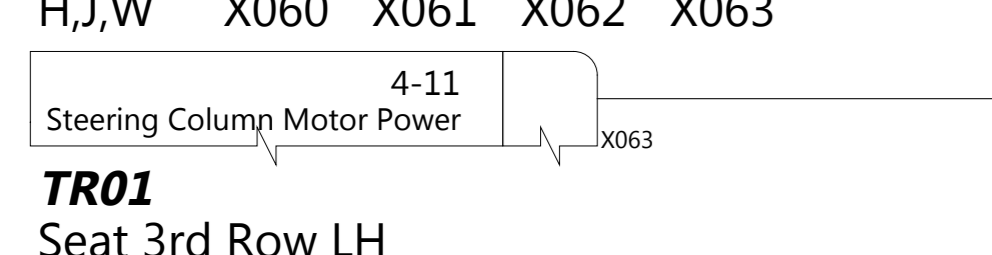
Heated Wiper Blades
J X904M



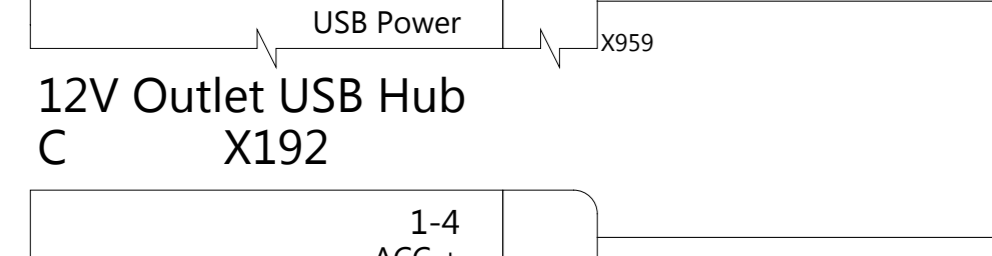
Central Body Control Module (BCCEN) DV3
H,J,W X060 X061 X062 X063



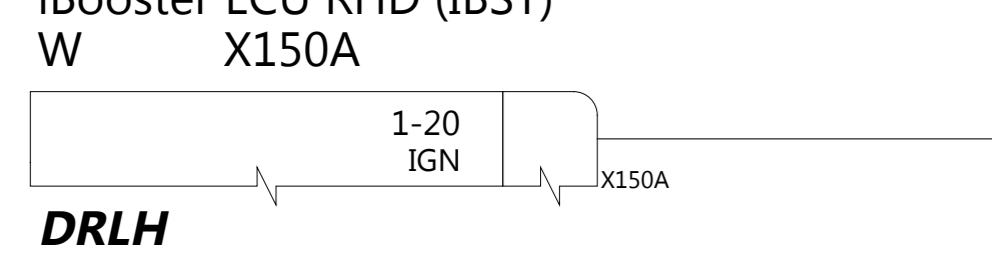
12V Outlet Center Console
C X193



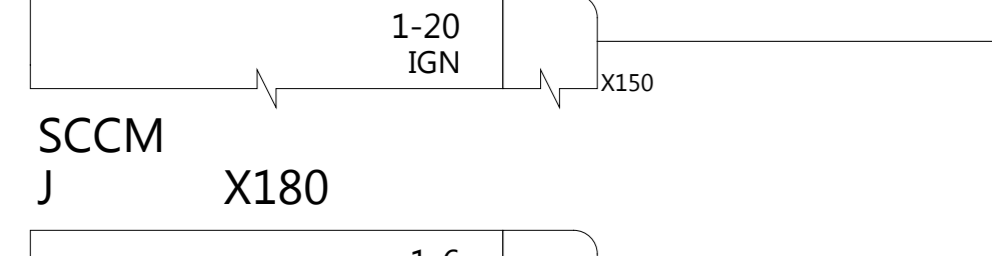
AU01
Booster Amplifier
J X561 X560



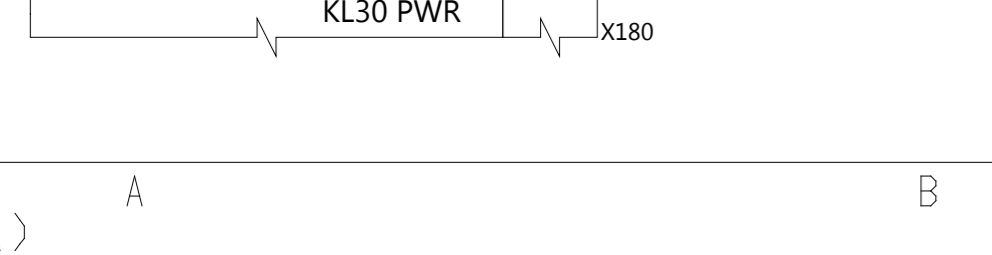
Central Body Control Module (BCCEN) DV3
H,J,W X060 X061 X062 X063



TR01
Seat 3rd Row LH
H X959



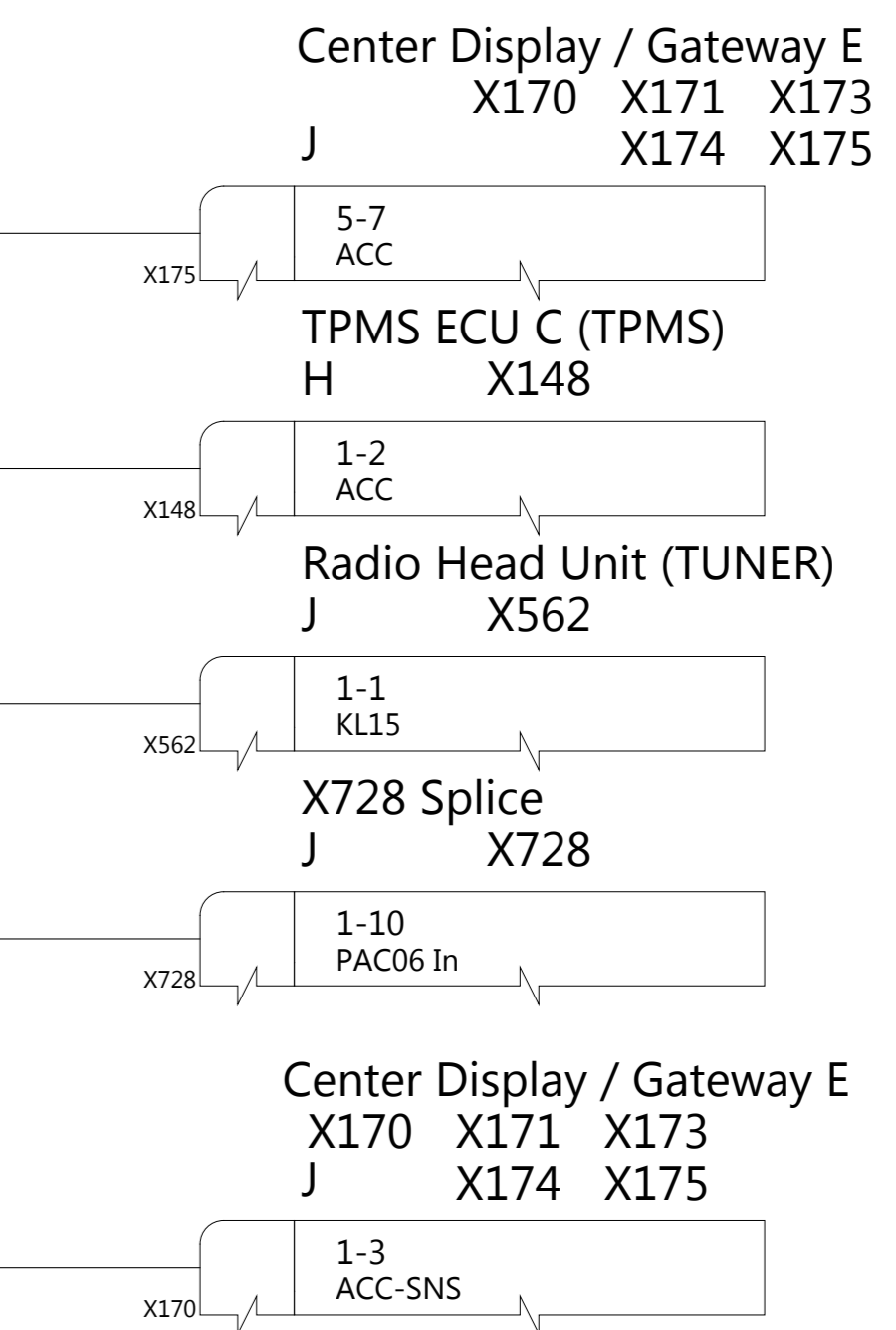
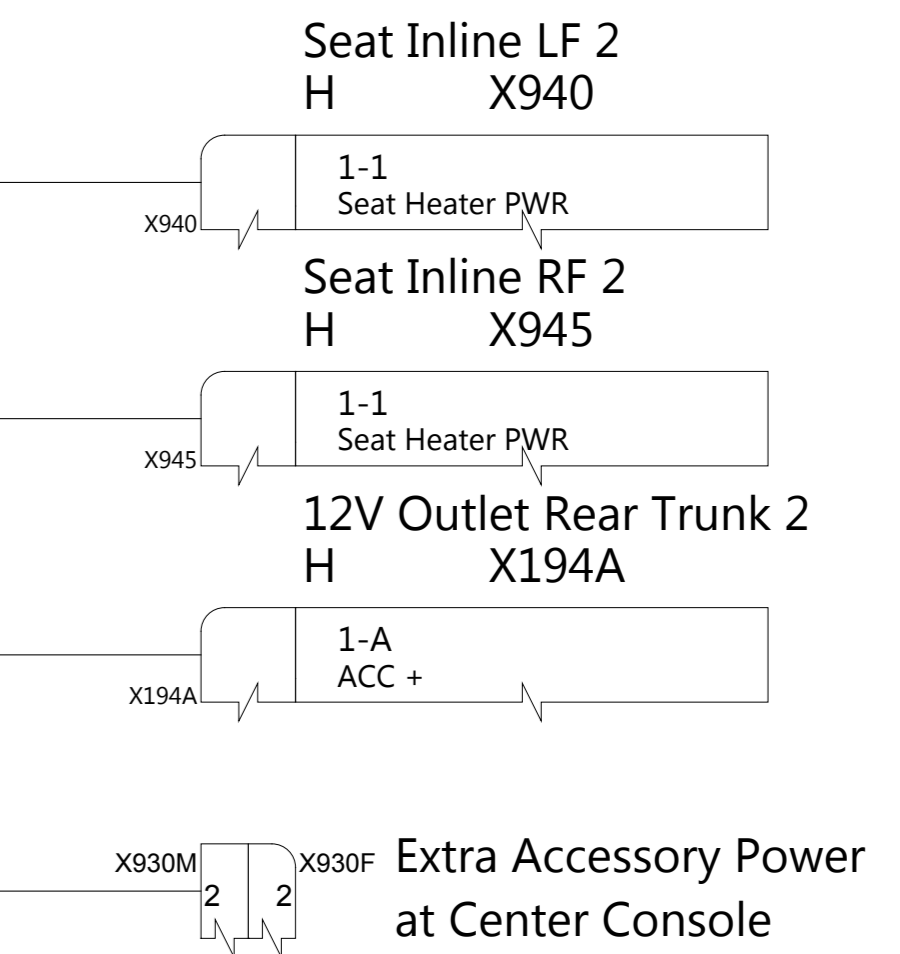
12V Outlet USB Hub
C X192



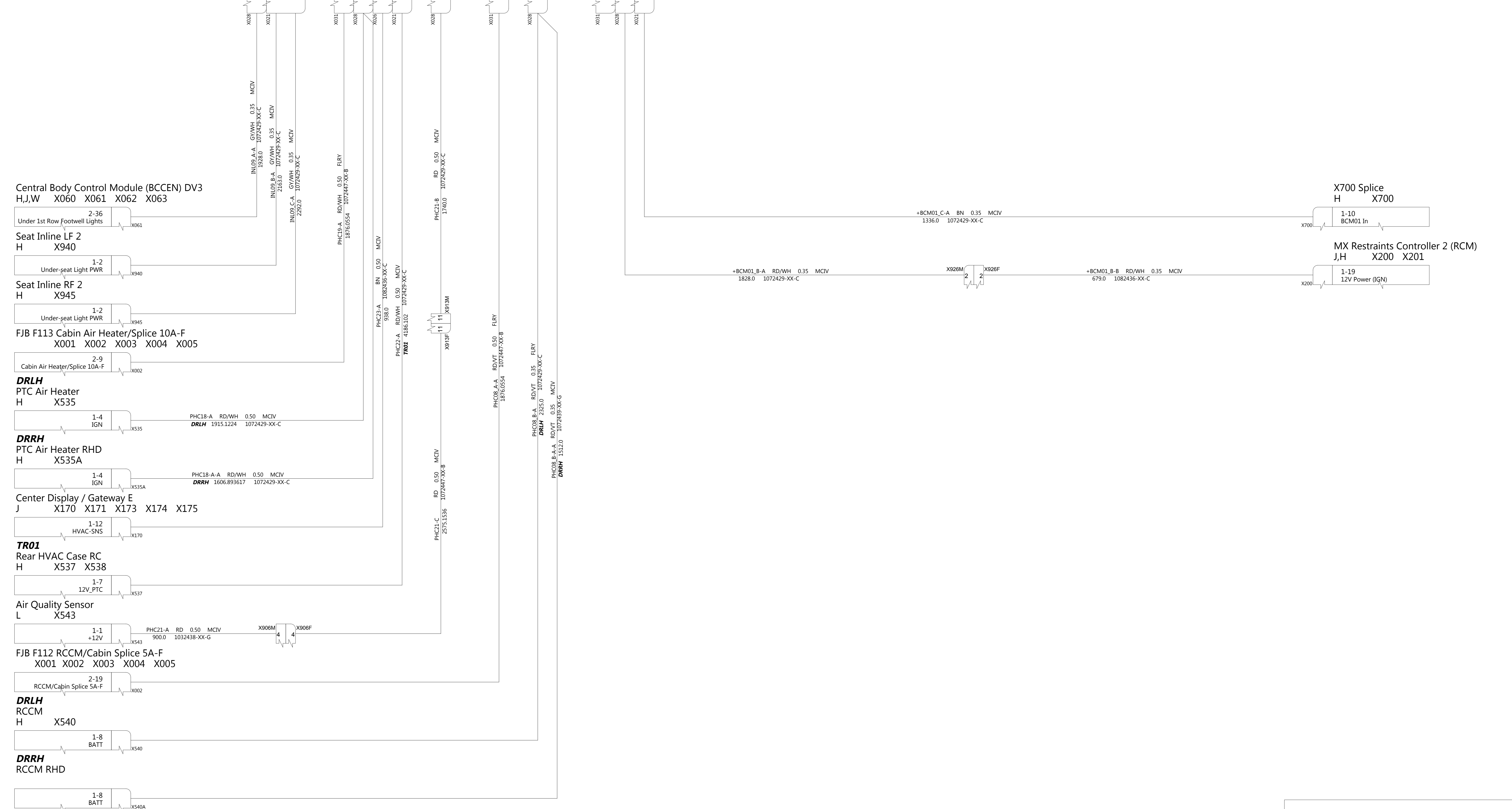
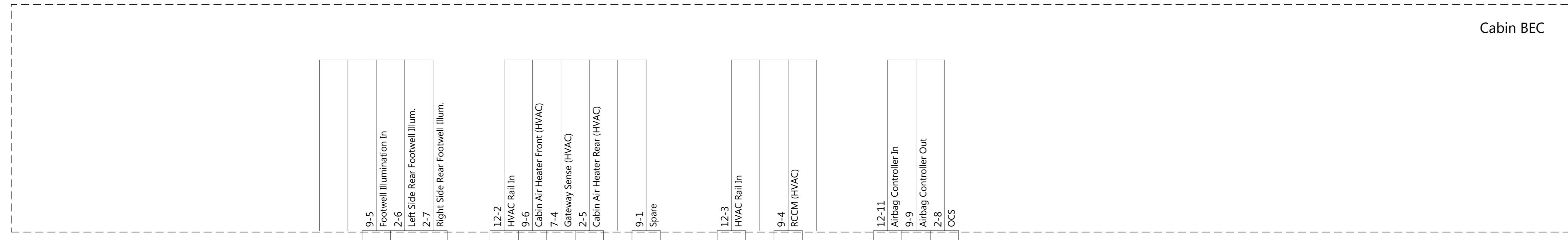
DRRH
iBooster ECU RHD (IBST)
W X150A

DRLH
iBooster ECU (IBST)
W X150

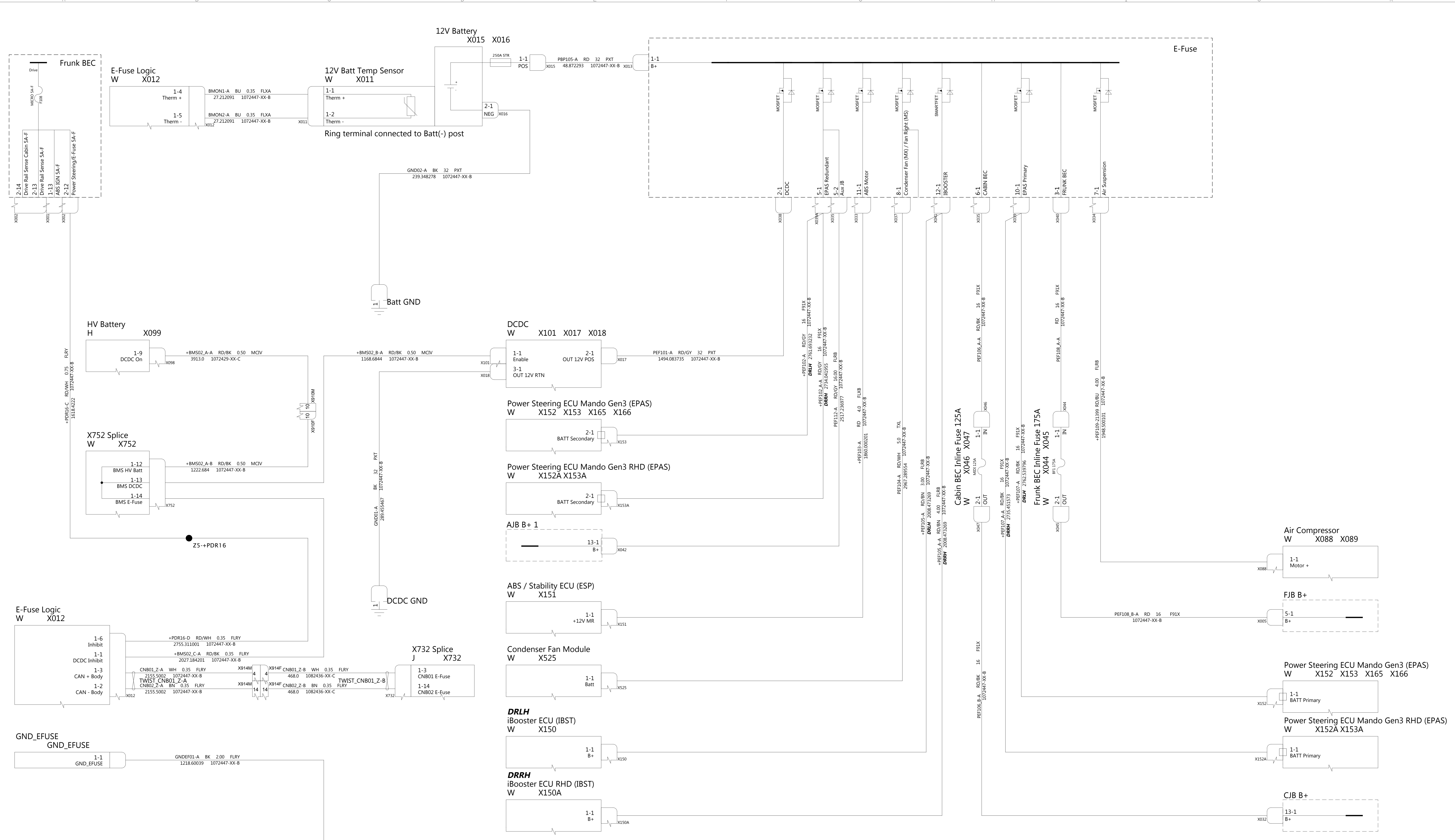
SCCM
J X180



TESLA		
THE INFORMATION CONTAINED HEREIN IS DEEMED TO BE CONFIDENTIAL, PROPRIETARY, AND A TRADE SECRET OF TESLA MOTORS. THIS INFORMATION MAY NOT BE USED, REPRODUCED, OR DISCLOSED AS THE DIRECT OR INDIRECT BASIS FOR THE DEVELOPMENT, MANUFACTURE, OR SALE OF PROCESSES OR PRODUCTS WITHOUT THE EXPRESS WRITTEN CONSENT OF TESLA MOTORS.		
DRAWN	CHECKED	APPROVED
MATERIAL AS SPECIFIED	FINISHING AS SPECIFIED	SCALE NONE
PART NAME Power Distribution - Cabin 2/3		
PART NUMBER	REV	SHEET
	3	2 of 3
		SIZE AO



TESLA			
<small>THE INFORMATION CONTAINED HEREIN IS DEEMED TO BE CONFIDENTIAL, PROPRIETARY, AND A TRADE SECRET OF TESLA MOTORS. THIS INFORMATION MAY NOT BE USED, REPRODUCED, OR DISCLOSED AS THE DIRECT OR INDIRECT BASIS FOR THE DEVELOPMENT, MANUFACTURE, OR SALE OF PROCESSES OR PRODUCTS WITHOUT THE EXPRESS WRITTEN CONSENT OF TESLA MOTORS.</small>			
DRAWN	CHECKED	APPROVED	
MATERIAL AS SPECIFIED		FINISHING AS SPECIFIED	SCALE NONE
PART NAME Power Distribution - Cabin 3/3			
PART NUMBER	REV 3	SHEET 3 OF 3	SIZE AO



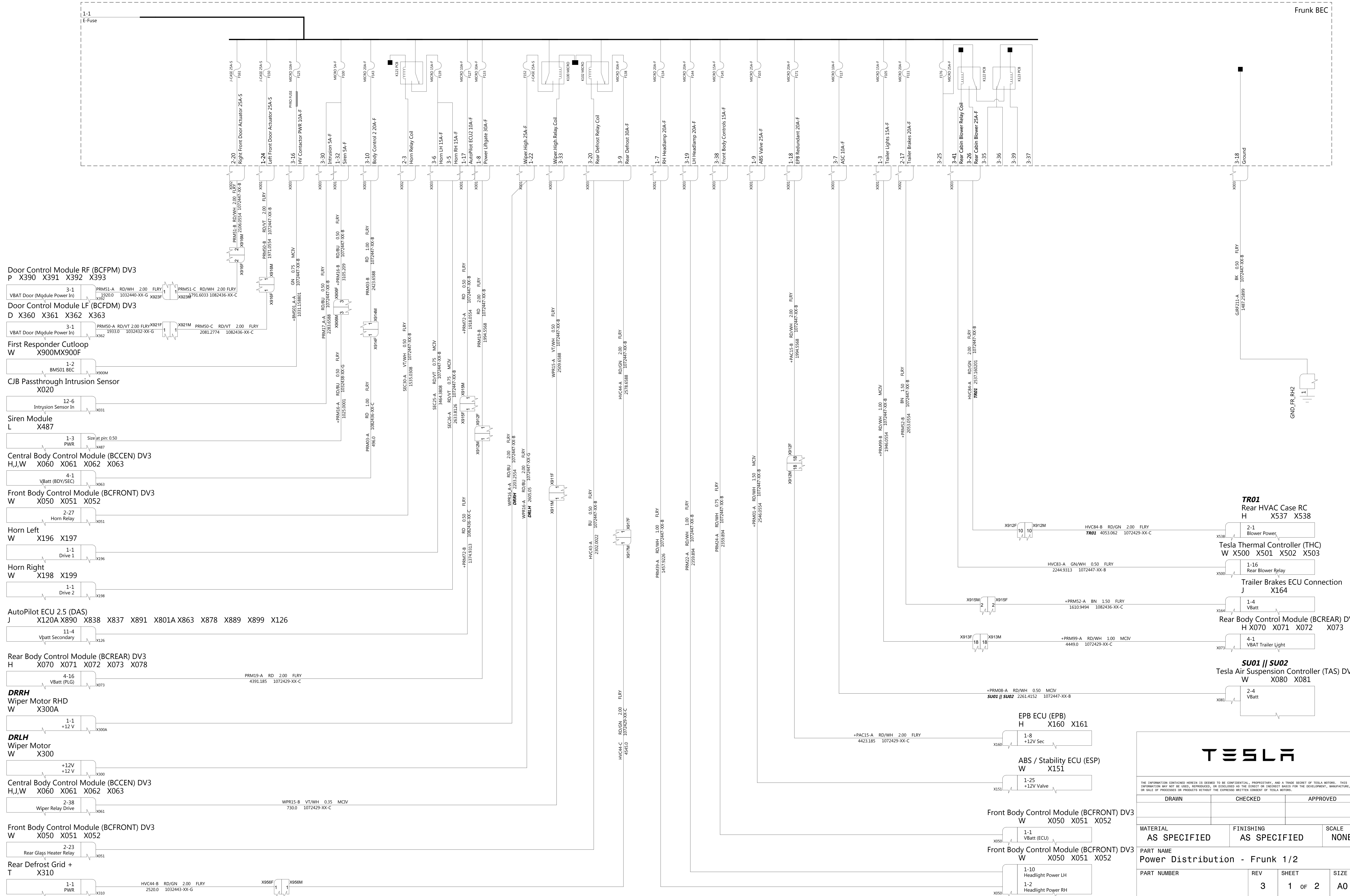
THE INFORMATION CONTAINED HEREIN IS DEEMED TO BE CONFIDENTIAL, PROPRIETARY, AND A TRADE SECRET OF TESLA MOTORS. THIS INFORMATION MAY NOT BE USED, REPRODUCED, OR DISCLOSED AS THE DIRECT OR INDIRECT BASIS FOR THE DEVELOPMENT, MANUFACTURE, OR SALE OF PROCESSES OR PRODUCTS WITHOUT THE EXPRESSED WRITTEN CONSENT OF TESLA MOTORS.

DRAWN	CHECKED	APPROVED
-------	---------	----------

MATERIAL AS SPECIFIED	FINISHING AS SPECIFIED	SCALE NONE
--------------------------	---------------------------	---------------

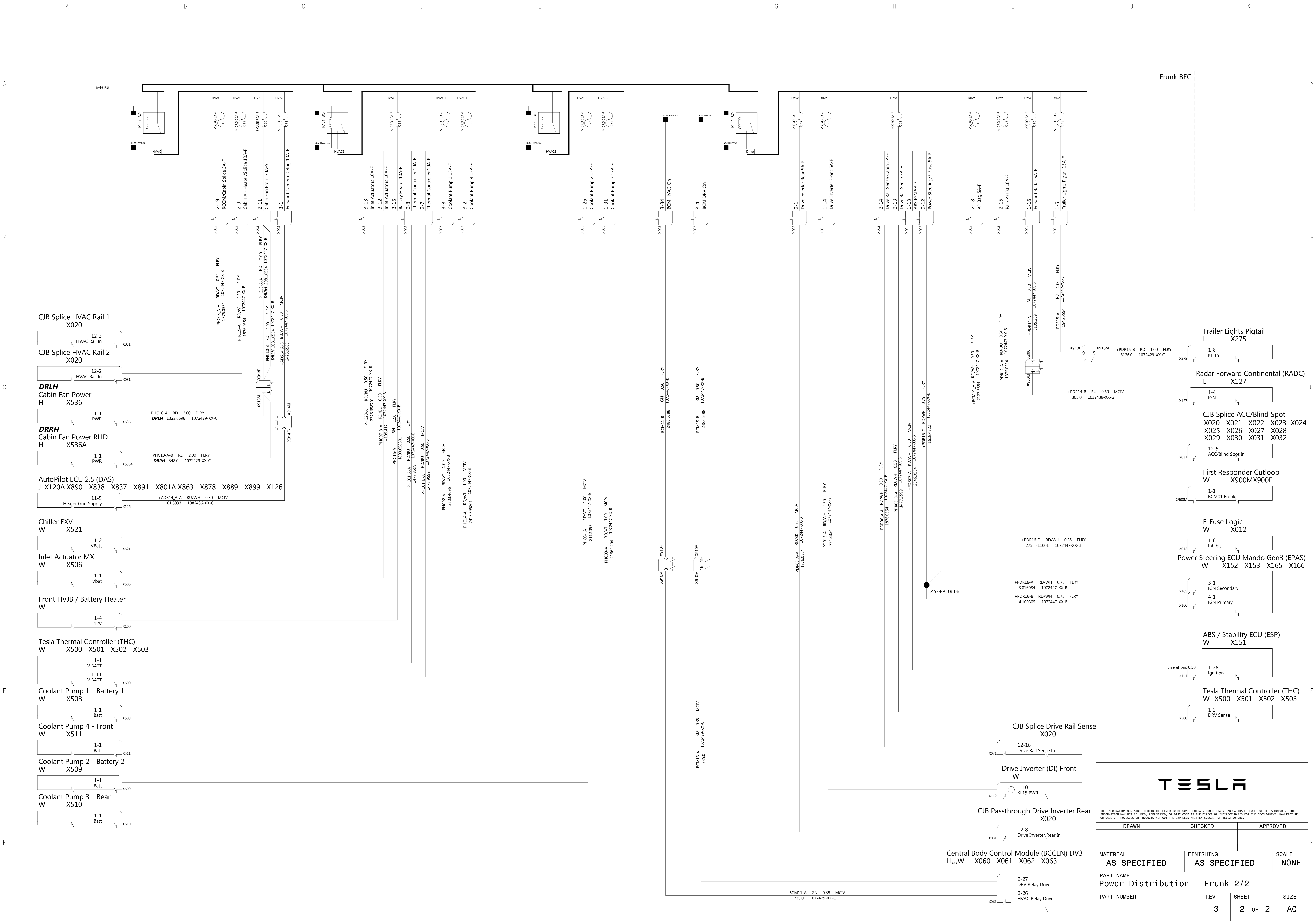
PART NAME
Power Distribution - E-Fuse

PART NUMBER	REV	SHEET	SIZE
	1	1 OF 1	A0



THE INFORMATION CONTAINED HEREIN IS DEEMED TO BE CONFIDENTIAL, PROPRIETARY, AND A TRADE SECRET OF TESLA MOTORS. THIS INFORMATION MAY NOT BE USED, REPRODUCED, OR DISCLOSED AS THE DIRECT OR INDIRECT BASIS FOR THE DEVELOPMENT, MANUFACTURE, OR SALE OF PROCESSES OR PRODUCTS WITHOUT THE EXPRESSED WRITTEN CONSENT OF TESLA MOTORS.

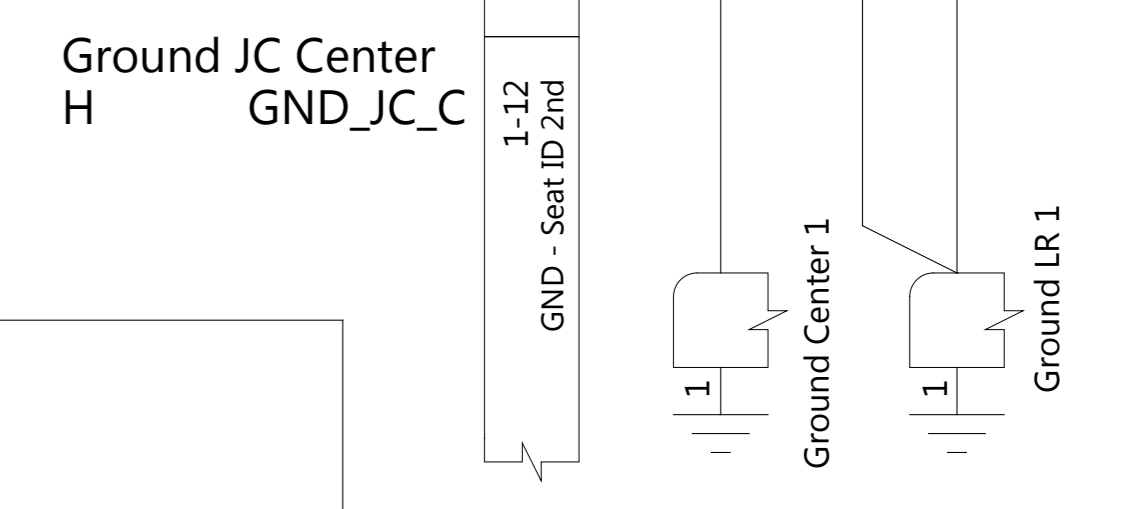
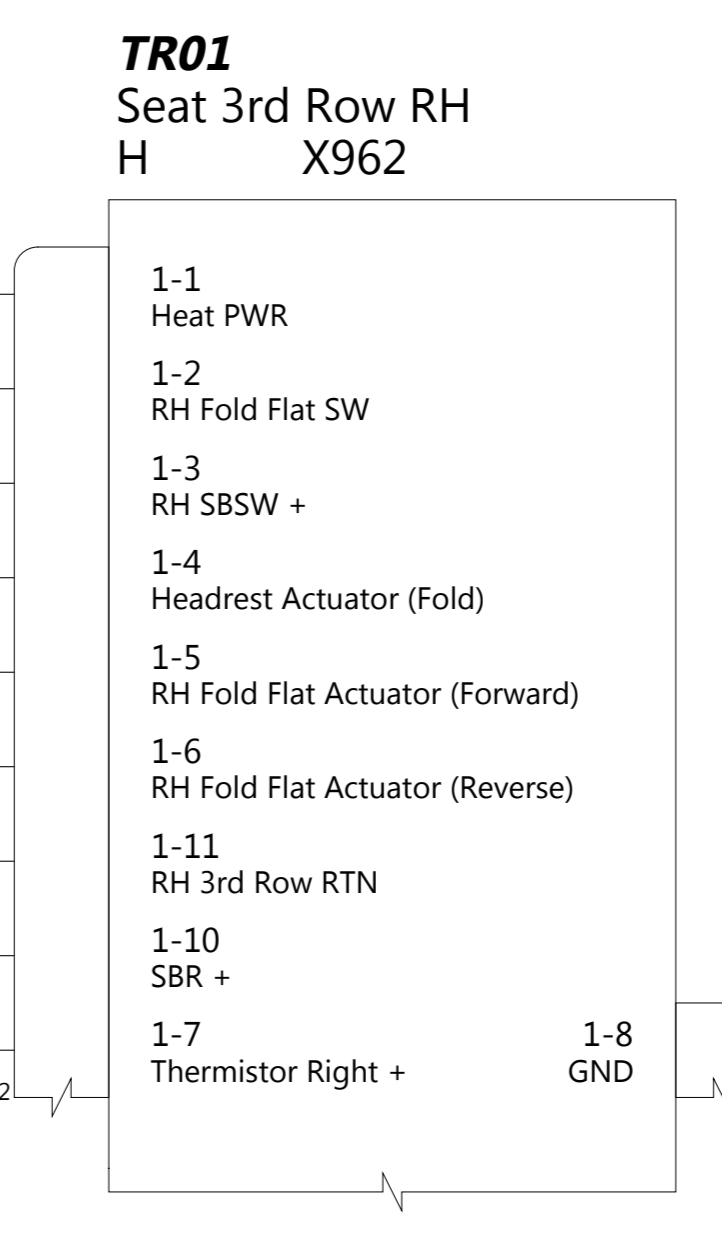
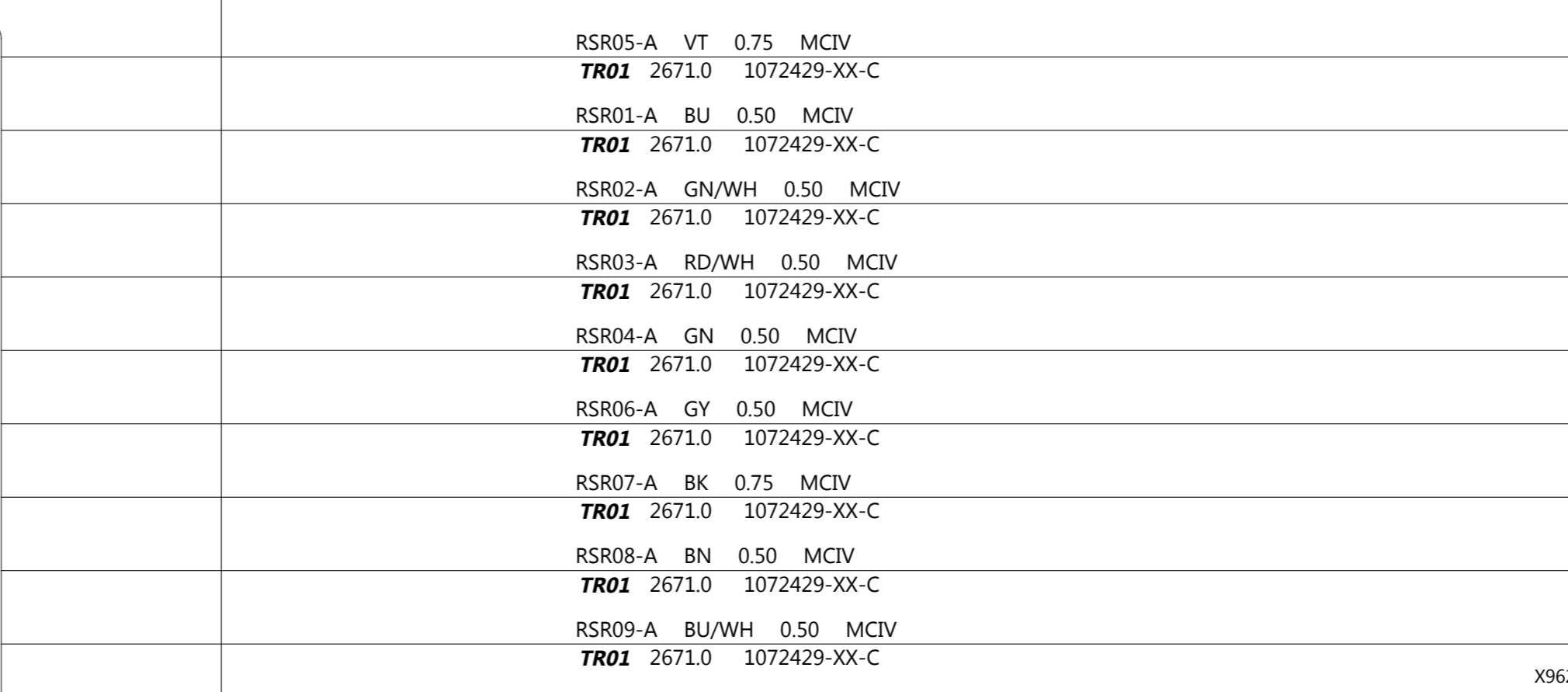
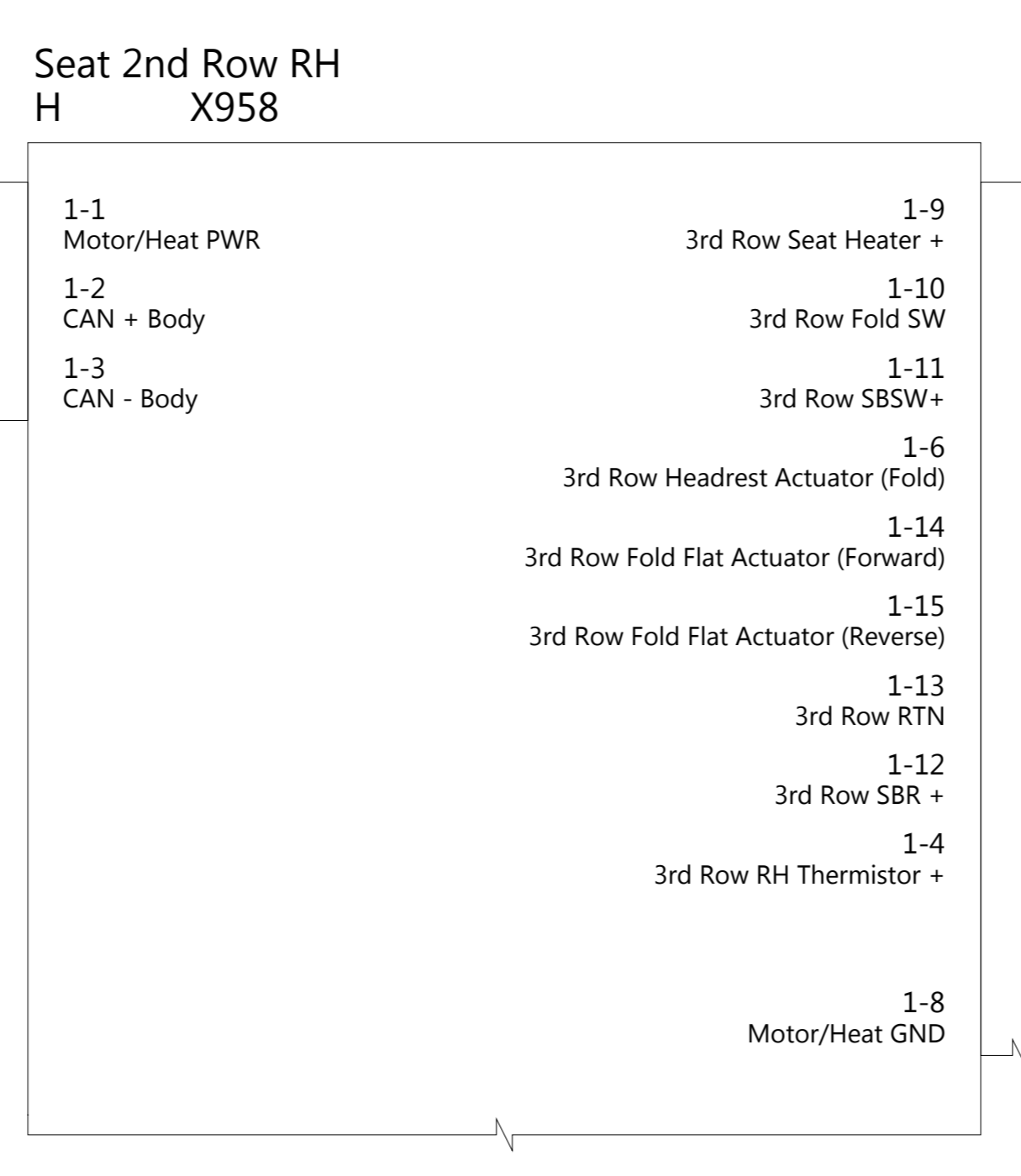
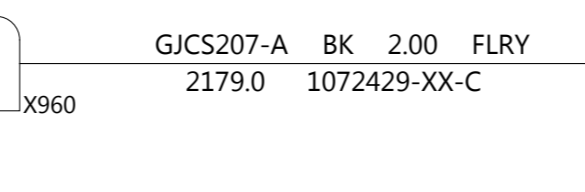
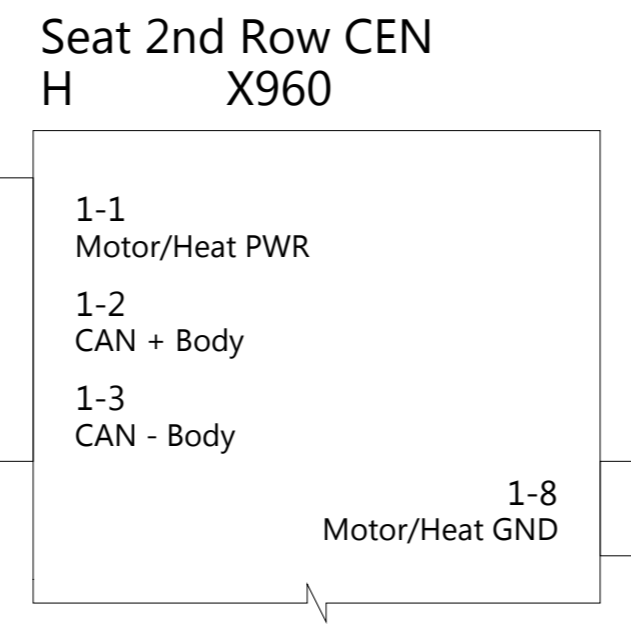
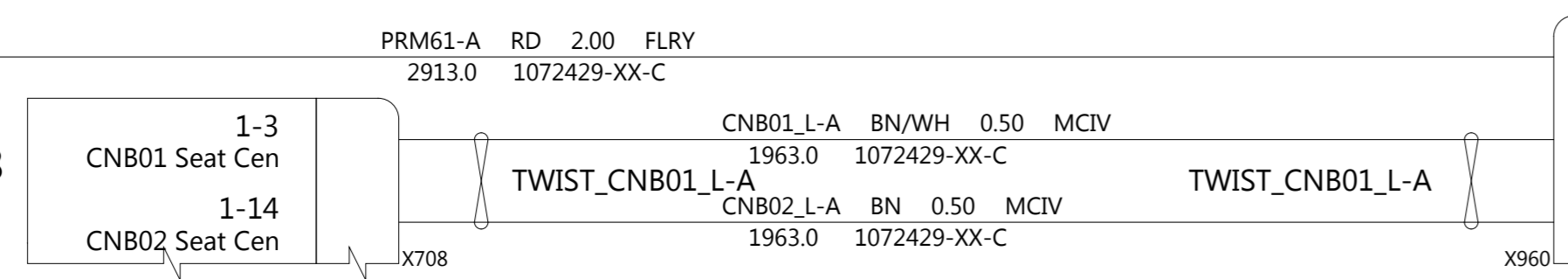
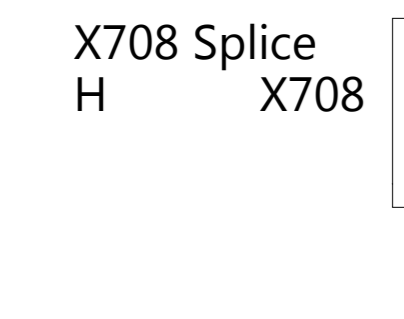
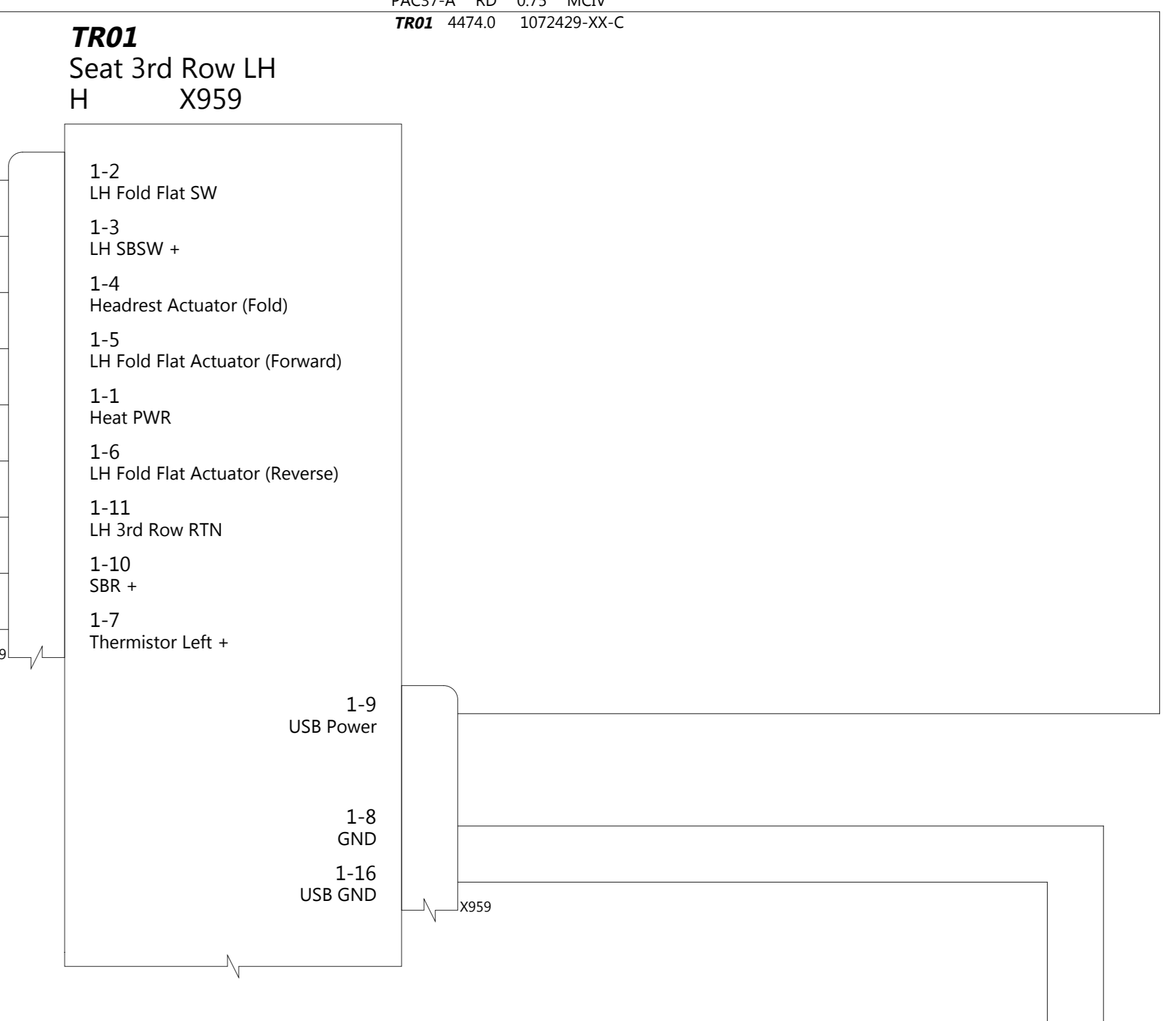
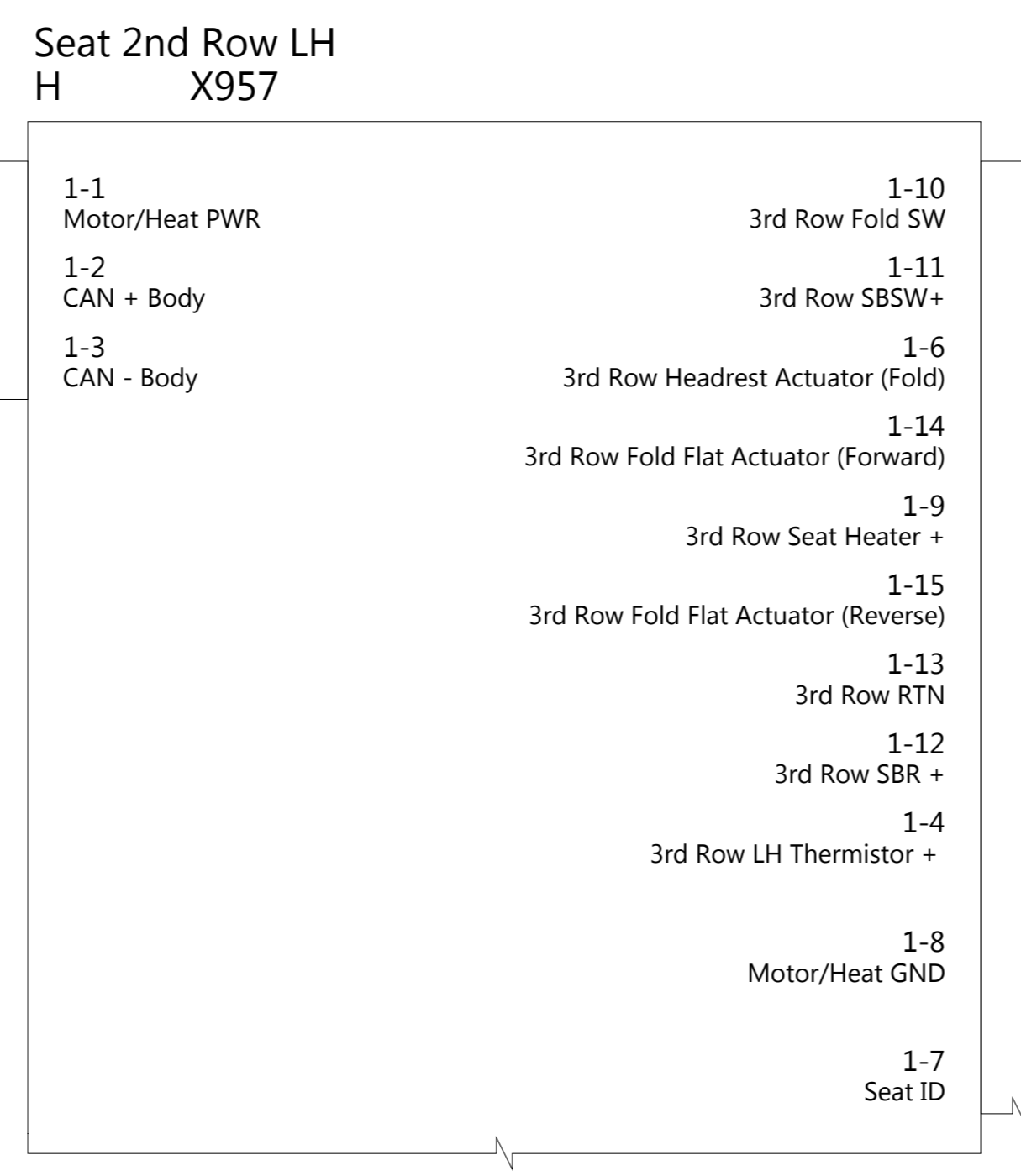
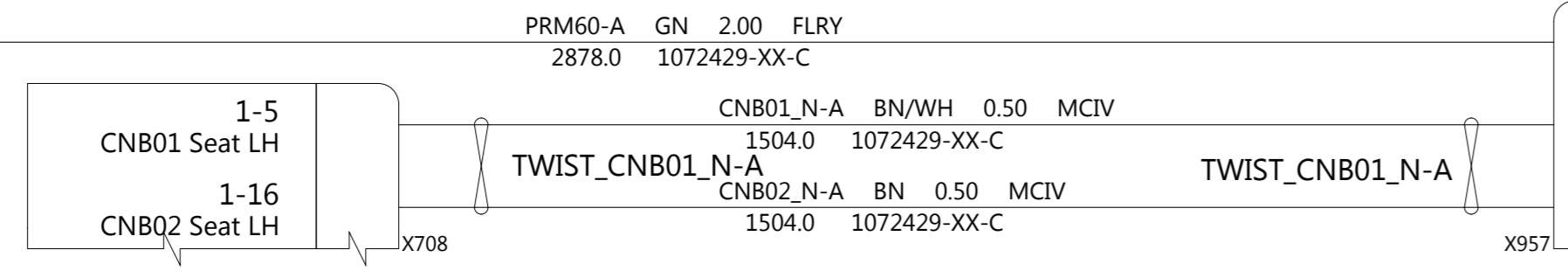
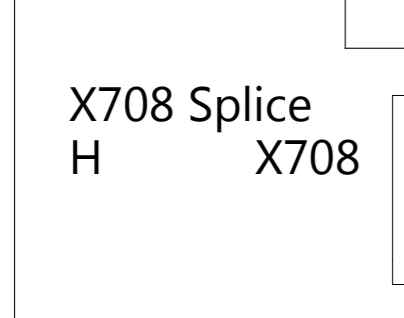
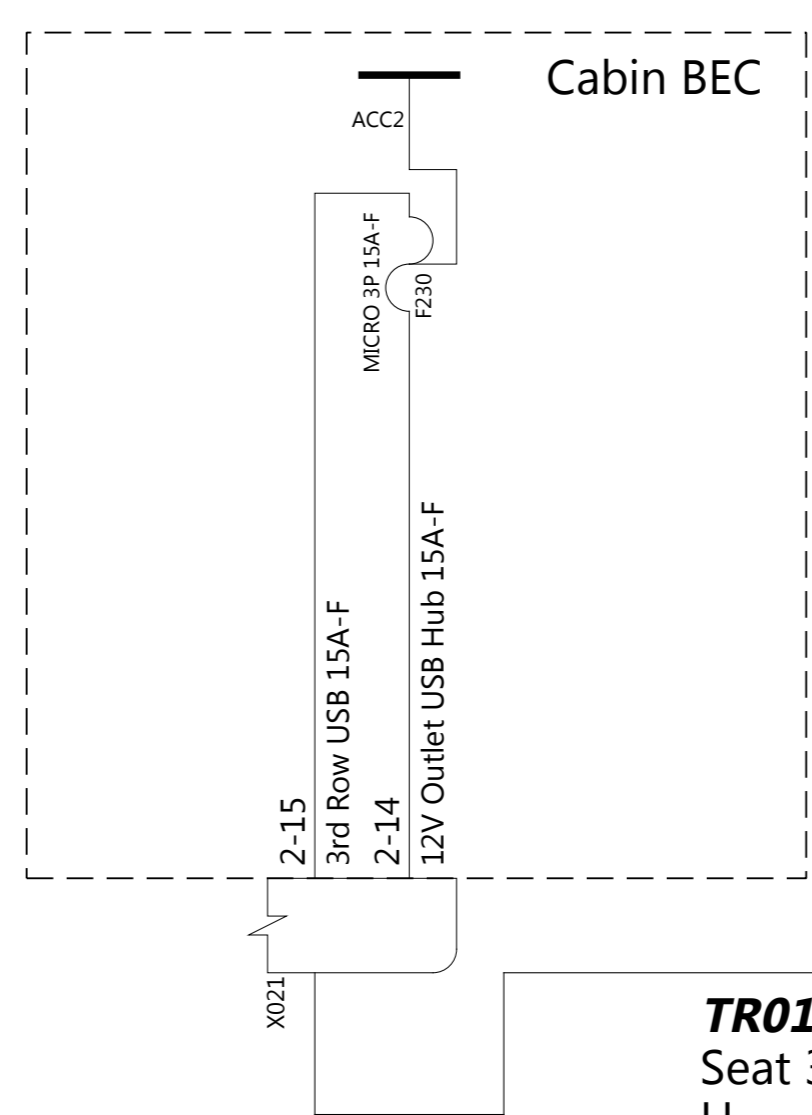
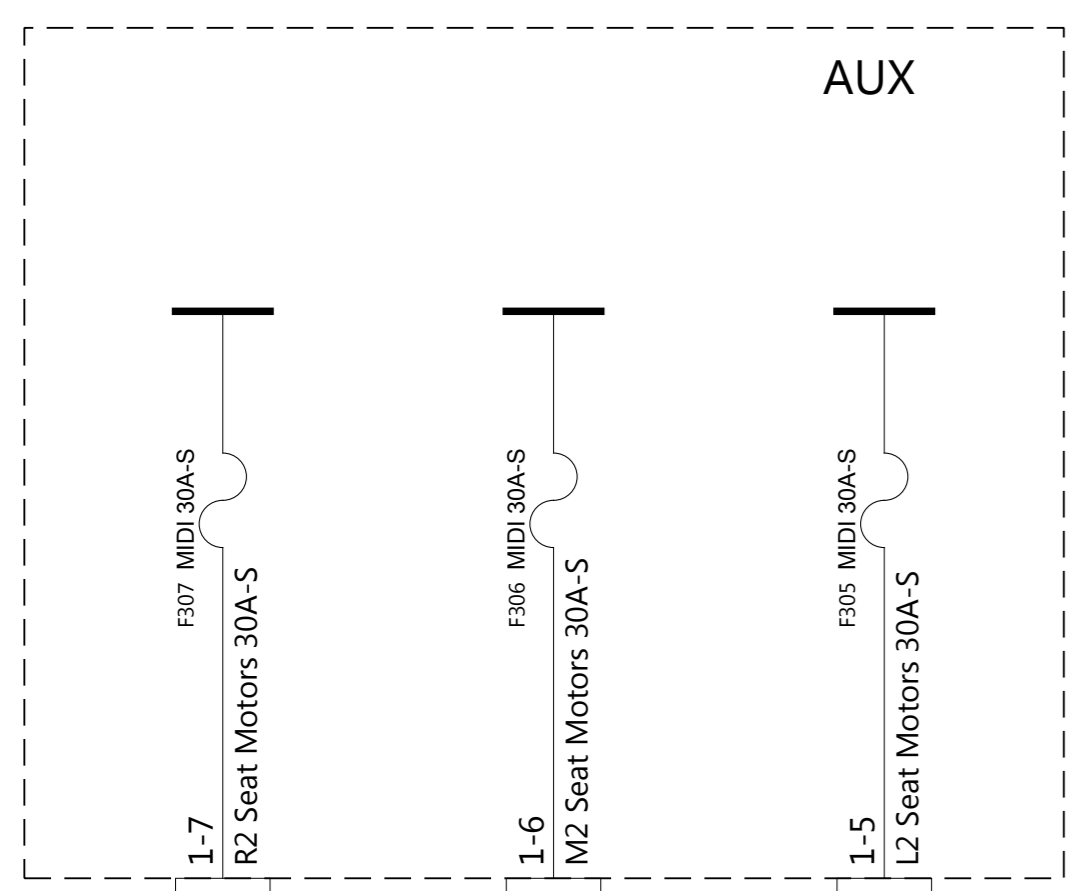
DRAWN	CHECKED	APPROVED
MATERIAL AS SPECIFIED	FINISHING AS SPECIFIED	SCALE NONE
PART NAME Power Distribution - Frunk 1/2		
PART NUMBER	REV	SHEET
	3	1 OF 2
		SIZE A0



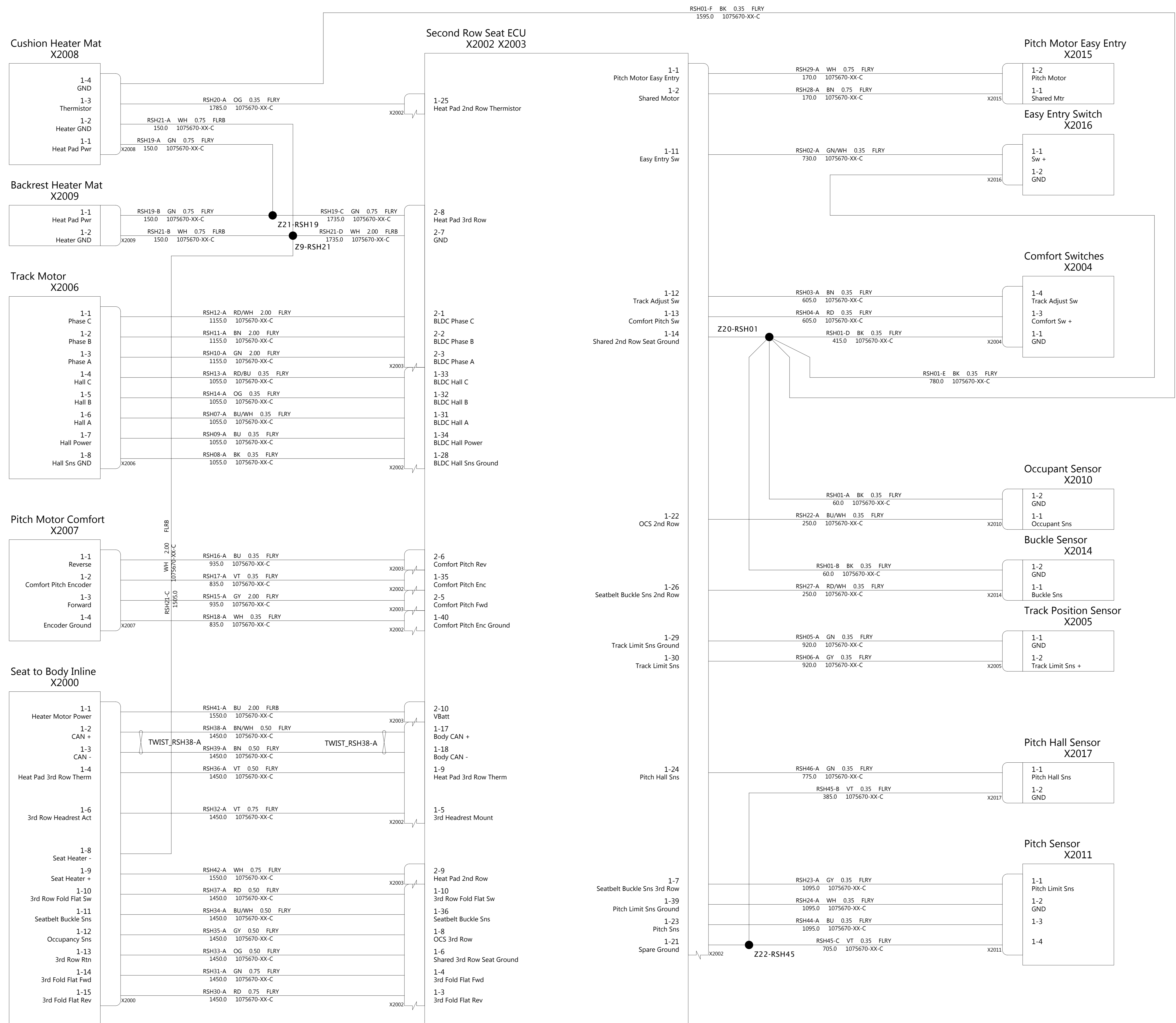
- CJB Splice HVAC Rail 1 X020
- CJB Splice HVAC Rail 2 X020
- DRLH Cabin Fan Power H X536
- DRRH Cabin Fan Power RHD H X536A
- AutoPilot ECU 2.5 (DAS) J X120A X890 X838 X837 X891 X801A X863 X878 X889 X899 X126
- Chiller EXV W X521
- Inlet Actuator MX W X506
- Front HVJB / Battery Heater W X100
- Tesla Thermal Controller (THC) W X500 X501 X502 X503
- Coolant Pump 1 - Battery 1 W X508
- Coolant Pump 4 - Front W X511
- Coolant Pump 2 - Battery 2 W X509
- Coolant Pump 3 - Rear W X510

- Trailer Lights Pigtail H X275
- Radar Forward Continental (RADCL) L X127
- CJB Splice ACC/Blind Spot X020 X021 X022 X023 X024 X025 X026 X027 X028 X029 X030 X031 X032
- First Responder Cutloop W X900MX900F
- E-Fuse Logic W X012
- Power Steering ECU Mando Gen3 (EPAS) W X152 X153 X165 X166
- ABS / Stability ECU (ESP) W X151
- Tesla Thermal Controller (THC) W X500 X501 X502 X503
- CJB Splice Drive Rail Sense X020
- Drive Inverter (DI) Front W X112
- CJB Passthrough Drive Inverter Rear X020
- Central Body Control Module (BCCEN) DV3 H,J,W X060 X061 X062 X063

TESLA			
THE INFORMATION CONTAINED HEREIN IS DEEMED TO BE CONFIDENTIAL, PROPRIETARY, AND A TRADE SECRET OF TESLA MOTORS. THIS INFORMATION MAY NOT BE USED, REPRODUCED, OR DISCLOSED AS THE DIRECT OR INDIRECT BASIS FOR THE DEVELOPMENT, MANUFACTURE, OR SALE OF PROCESSES OR PRODUCTS WITHOUT THE EXPRESS WRITTEN CONSENT OF TESLA MOTORS.			
DRAWN		CHECKED	
APPROVED			
MATERIAL	FINISHING	SCALE	
AS SPECIFIED	AS SPECIFIED	NONE	
PART NAME			
Power Distribution - Frunk 2/2			
PART NUMBER	REV	SHEET	SIZE
	3	2 OF 2	A0



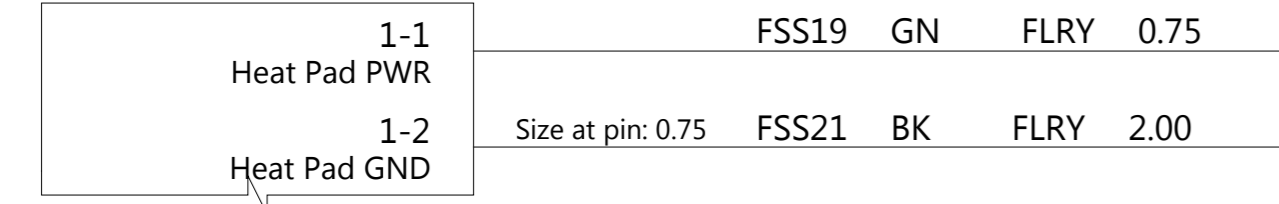
TESLA			
THE INFORMATION CONTAINED HEREIN IS DEEMED TO BE CONFIDENTIAL, PROPRIETARY, AND A TRADE SECRET OF TESLA MOTORS. THIS INFORMATION MAY NOT BE USED, REPRODUCED, OR DISCLOSED AS THE DIRECT OR INDIRECT BASIS FOR THE DEVELOPMENT, MANUFACTURE, OR SALE OF PROCESSES OR PRODUCTS WITHOUT THE EXPRESS WRITTEN CONSENT OF TESLA MOTORS.			
DRAWN	CHECKED	APPROVED	
MATERIAL AS SPECIFIED	FINISHING AS SPECIFIED	SCALE NONE	
PART NAME Rear Seat Interface			
PART NUMBER	REV 2	SHEET 1 OF 4	SIZE AO



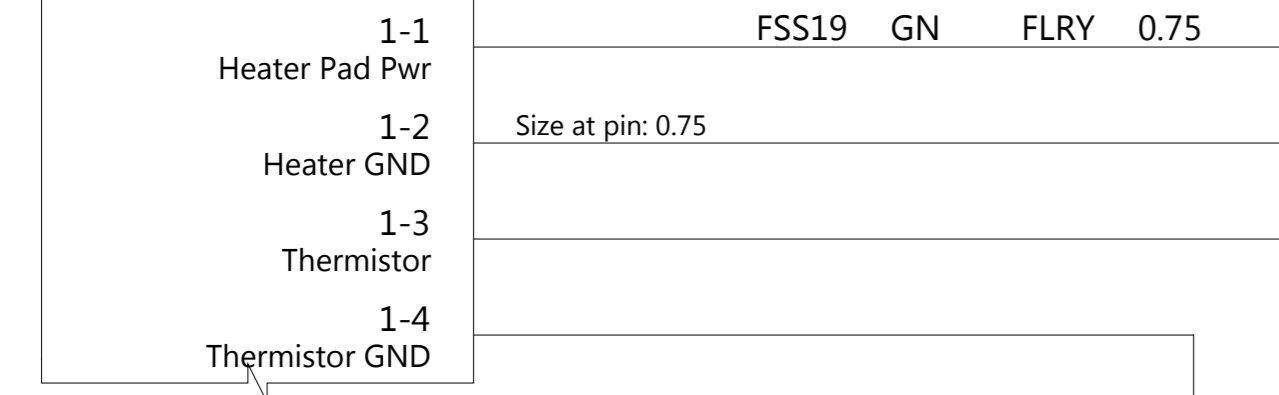
TESLA			
THE INFORMATION CONTAINED HEREIN IS DEEMED TO BE CONFIDENTIAL, PROPRIETARY, AND A TRADE SECRET OF TESLA MOTORS. THIS INFORMATION MAY NOT BE USED, REPRODUCED, OR DISCLOSED AS THE DIRECT OR INDIRECT BASIS FOR THE DEVELOPMENT, MANUFACTURE, OR SALE OF PROCESSES OR PRODUCTS WITHOUT THE EXPRESS WRITTEN CONSENT OF TESLA MOTORS.			
DRAWN	CHECKED	APPROVED	
MATERIAL AS SPECIFIED	FINISHING AS SPECIFIED	SCALE NONE	
PART NAME Rear Seat Interface P2 - Monopost Seats			
PART NUMBER	REV 2	SHEET 2 OF 4	SIZE AO

SR55 - 5 Seater
 SR75 - 7 Seater
 FF40 - 40 Controller
 FF60 - 60 Controller

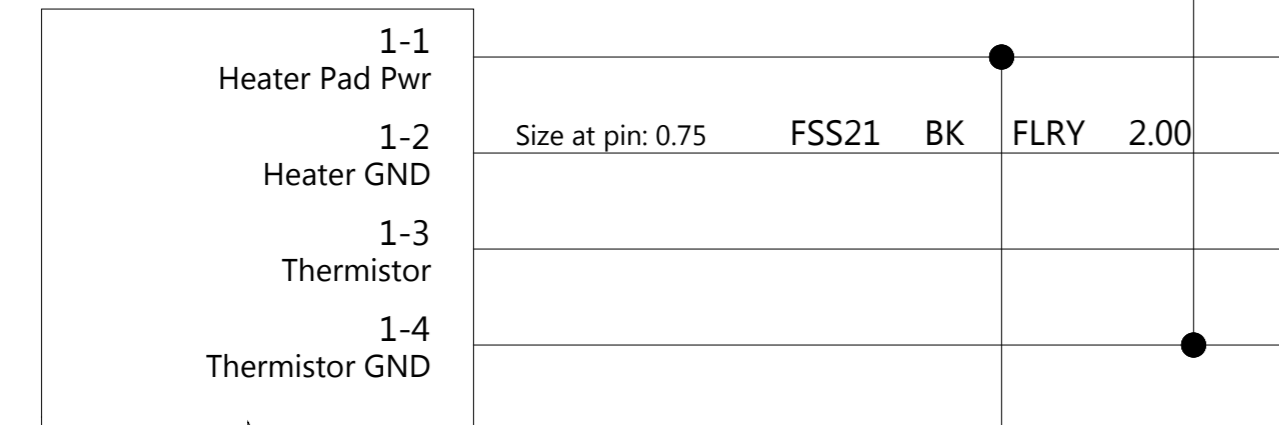
Backrest Heater Mat L-R
 X2009A



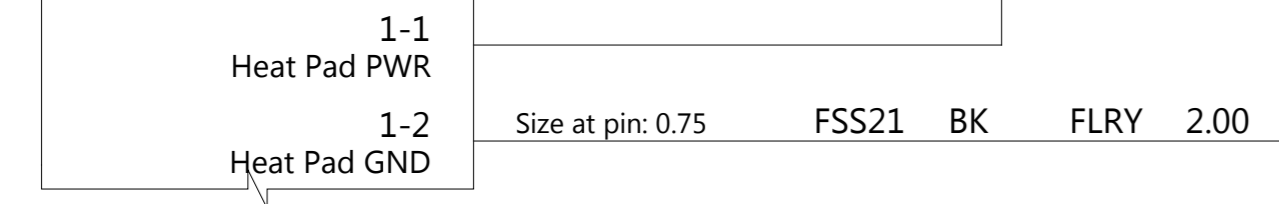
Cushion Htr Mat L-R
 X2008A



FF60
 Cushion Htr Mat C
 X2048A



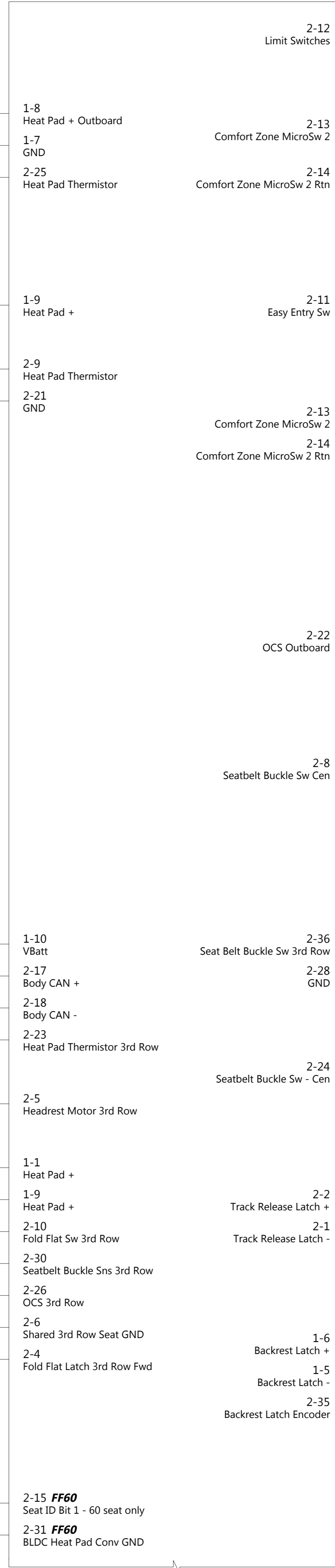
FF60
 Backrest Heater Mat C
 X2049A



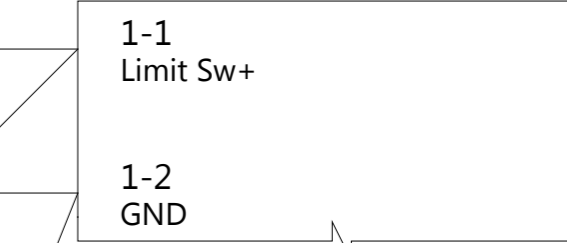
Seat to Body Inline 60-40
 X2000A



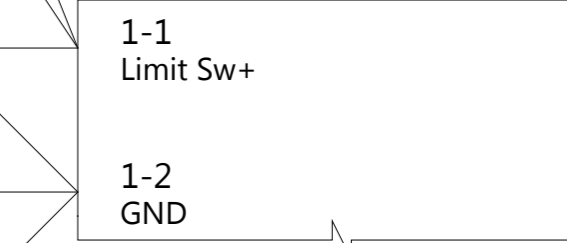
Second Row Seat ECU 60/40
 X2002A X2003A



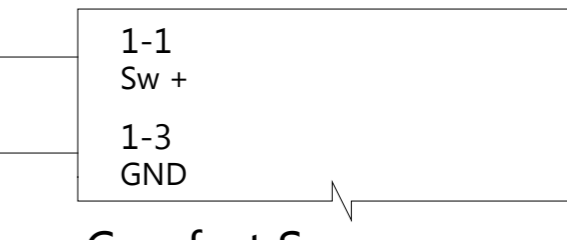
Limit Switch 1
 X2051A



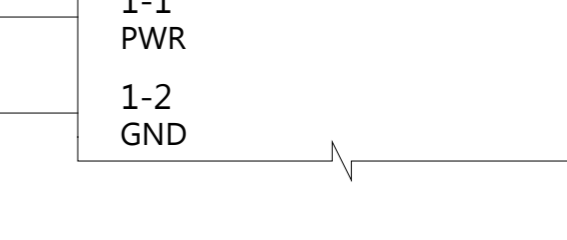
Limit Switch 2
 X2011A



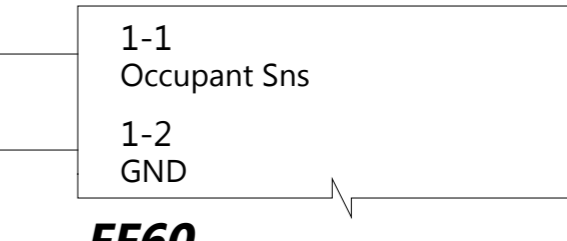
Easy Entry Sw
 X2016A



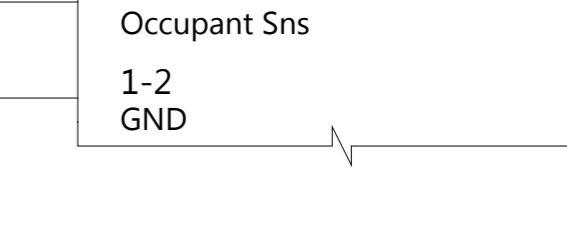
Comfort Sw
 X2020B



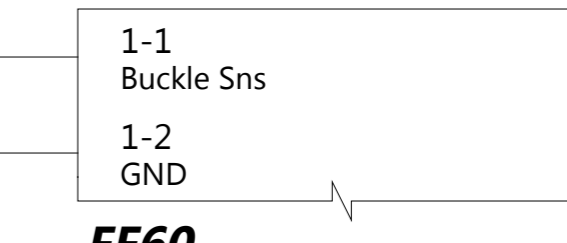
Occupant Sns Outboard
 X2010A



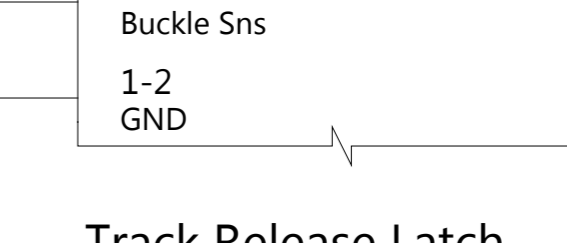
FF60
 Occupant Sns Center
 X2050A



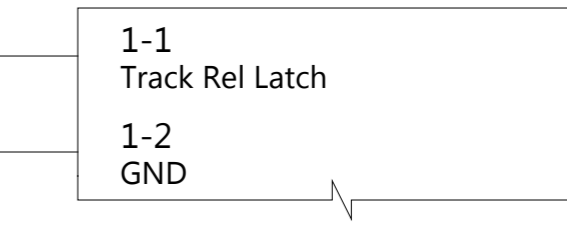
Buckle Sns
 X2014A



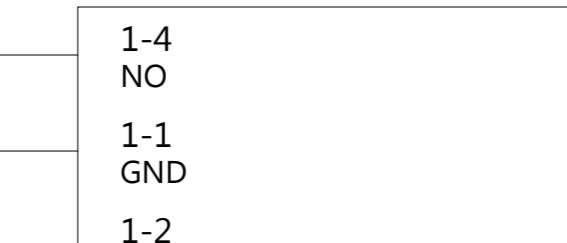
FF60
 Buckle Sns Center
 X2054A



Track Release Latch
 X2018A



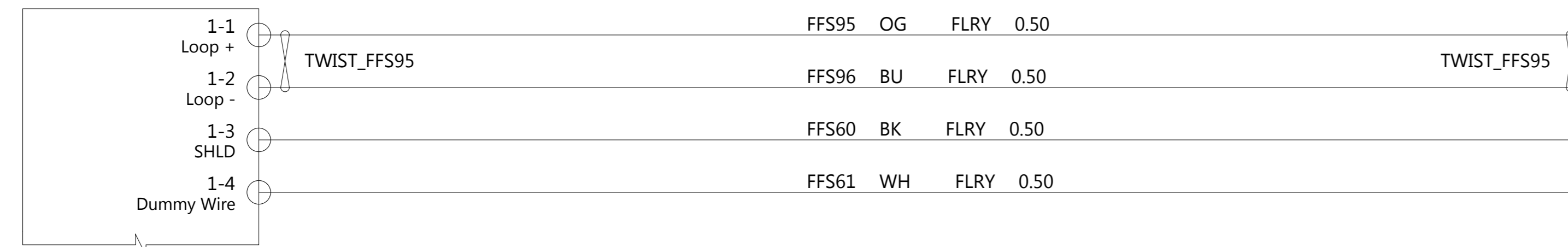
Backrest Release Latch
 X2019A



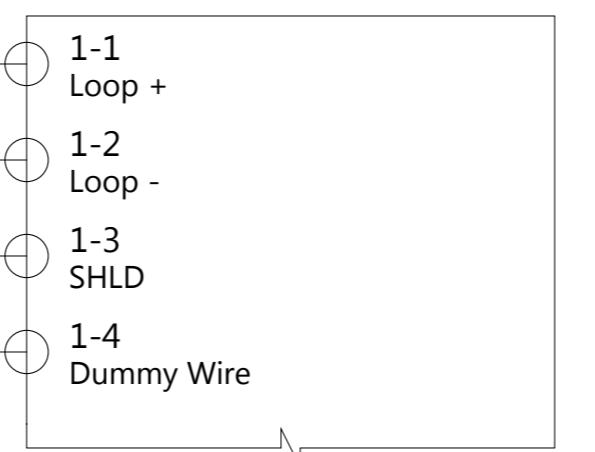
Backrest Release Latch 2
 X2019B



Seat Airbag 2nd Row Inline
 X2018B



Seat Airbag Jumper Inline
 X2018C



TESLA

THE INFORMATION CONTAINED HEREIN IS DEEMED TO BE CONFIDENTIAL, PROPRIETARY, AND A TRADE SECRET OF TESLA MOTORS. THIS INFORMATION MAY NOT BE USED, REPRODUCED, OR DISCLOSED TO THE EXTENT OR IN CONNECTION WITH THE DEVELOPMENT, MANUFACTURE, OR SALE OF PROCESSES OR PRODUCTS WITHOUT THE EXPRESS WRITTEN CONSENT OF TESLA MOTORS.

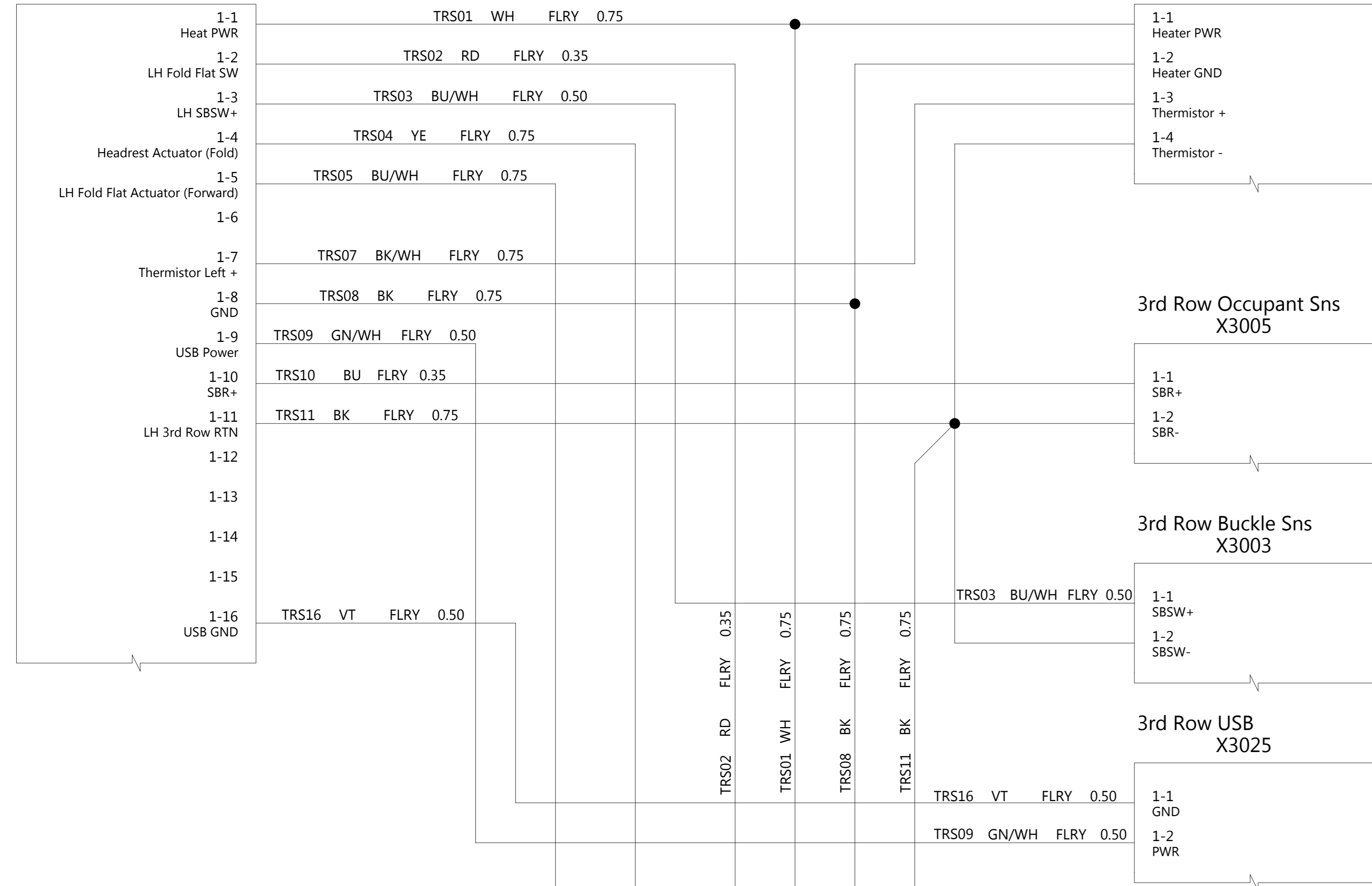
DRAWN CHECKED APPROVED

MATERIAL AS SPECIFIED FINISHING AS SPECIFIED SCALE NONE

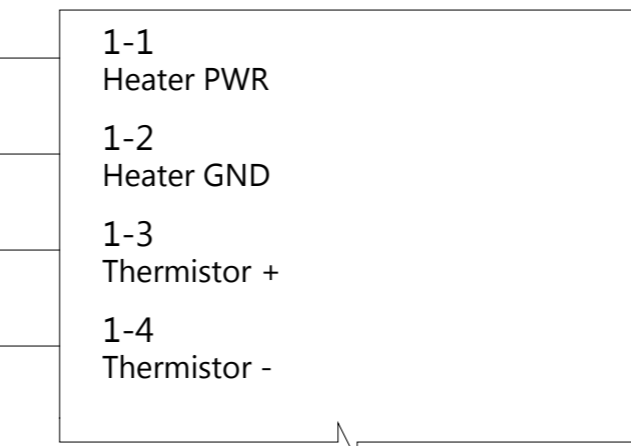
PART NAME
 Rear Seat Interface P3 - 60/40 fold

PART NUMBER REV SHEET SIZE
 2 3 OF 4 A0

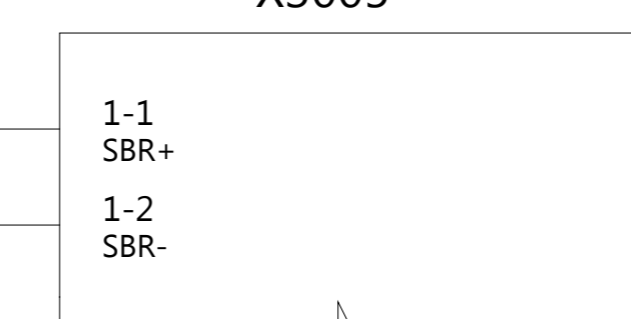
Seat to Body Inline 3rd Row
X3001



3rd Row Htr Mat Cushion
X3004



3rd Row Occupant Sns
X3005



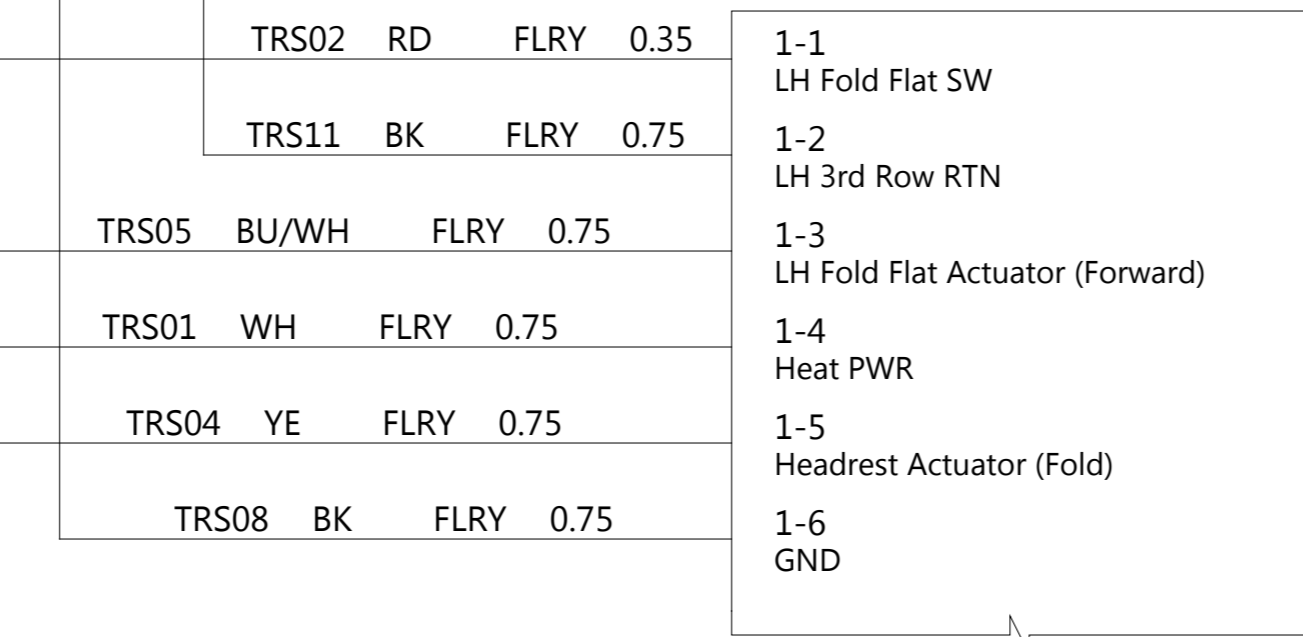
3rd Row Buckle Sns
X3003



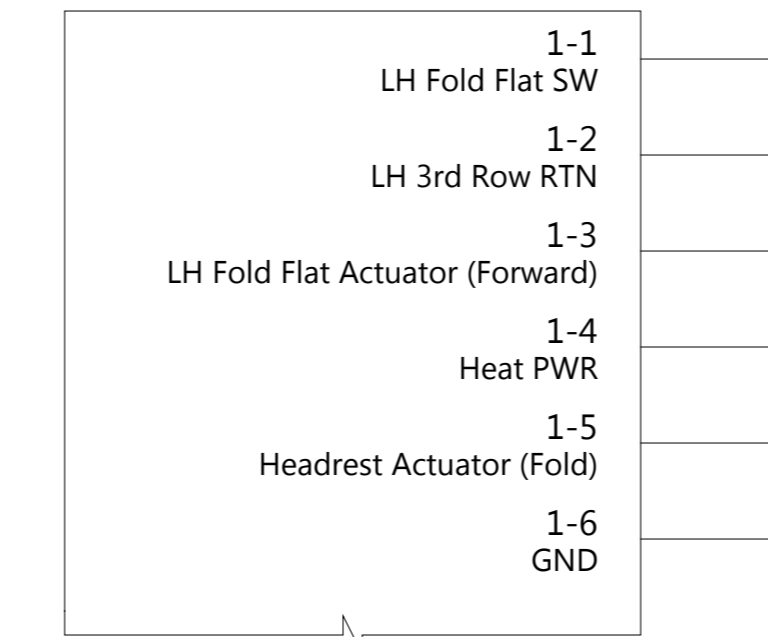
3rd Row USB
X3025



Seat 3R Cushion to Back Inline 1
P3008



Seat 3R Cushion to Back Inline 2
P3012



3rd Row Seat Sw
X3015



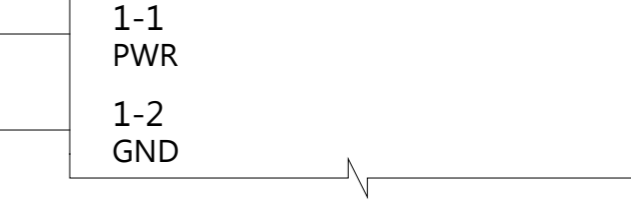
3rd Row Htr Back Mat
X3016



3rd Row Fold Motor
X3014



3rd Row HeadRest Motor
X3013



THE INFORMATION CONTAINED HEREIN IS DEEMED TO BE CONFIDENTIAL, PROPRIETARY, AND A TRADE SECRET OF TESLA MOTORS. THIS INFORMATION MAY NOT BE USED, REPRODUCED, OR DISCLOSED TO THE DIRECT OR INDIRECT BACKS FOR THE DEVELOPMENT, MANUFACTURE, OR SALE OF PROCESSES OR PRODUCTS WITHOUT THE EXPRESS WRITTEN CONSENT OF TESLA MOTORS.

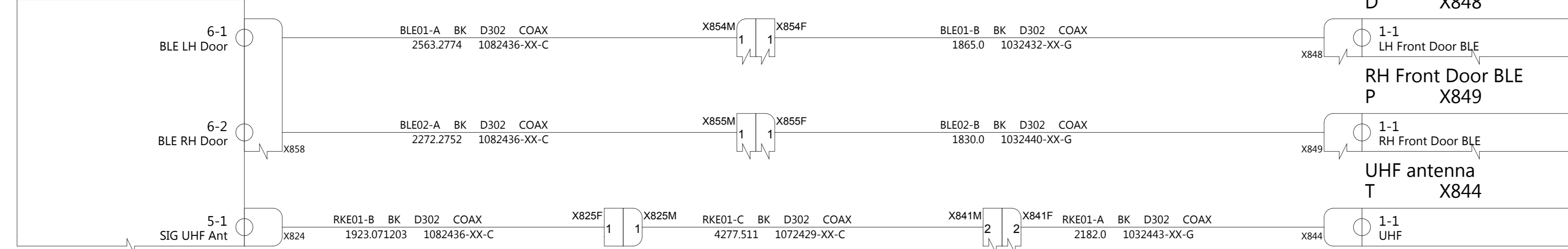
DRAWN	CHECKED	APPROVED
-------	---------	----------

MATERIAL AS SPECIFIED	FINISHING AS SPECIFIED	SCALE NONE
--------------------------	---------------------------	---------------

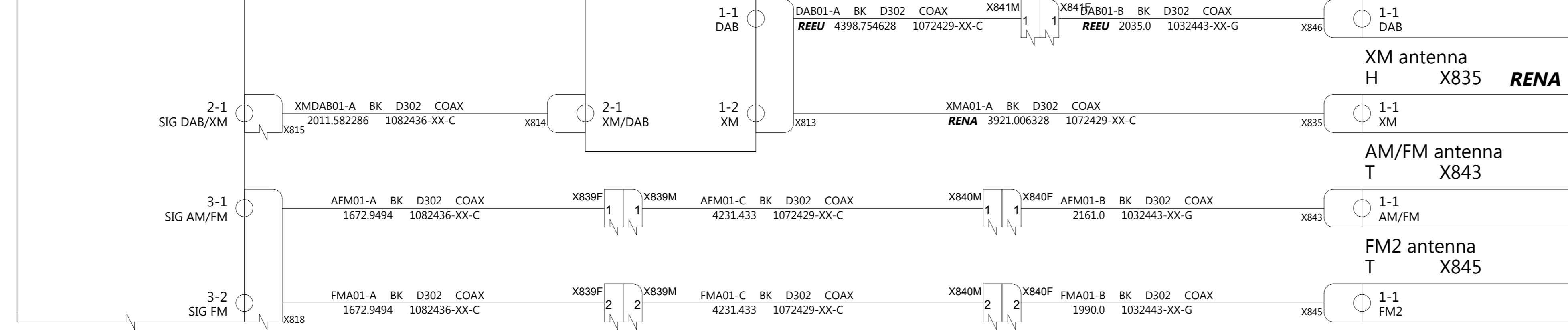
PART NAME
Rear Seat Interface P4 - Third Row Seat Interl Wiring

PART NUMBER	REV	SHEET	SIZE
	2	4 OF 4	A0

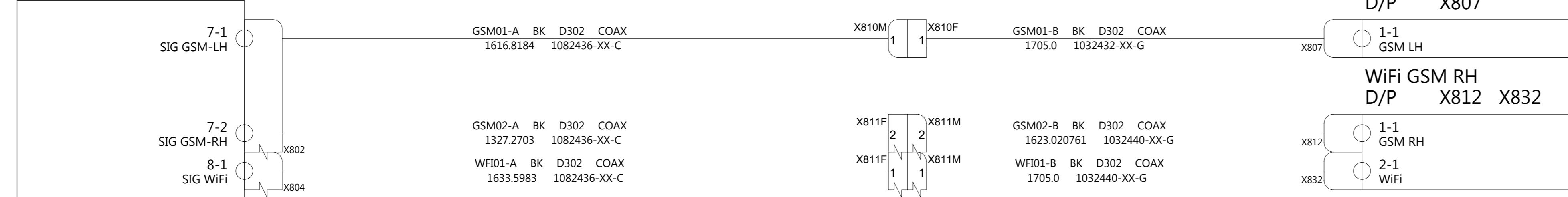
Central Body Control Module (BCCEN) DV3
H,J,W X060 X061 X062 X063 X824 X858 X857 X856



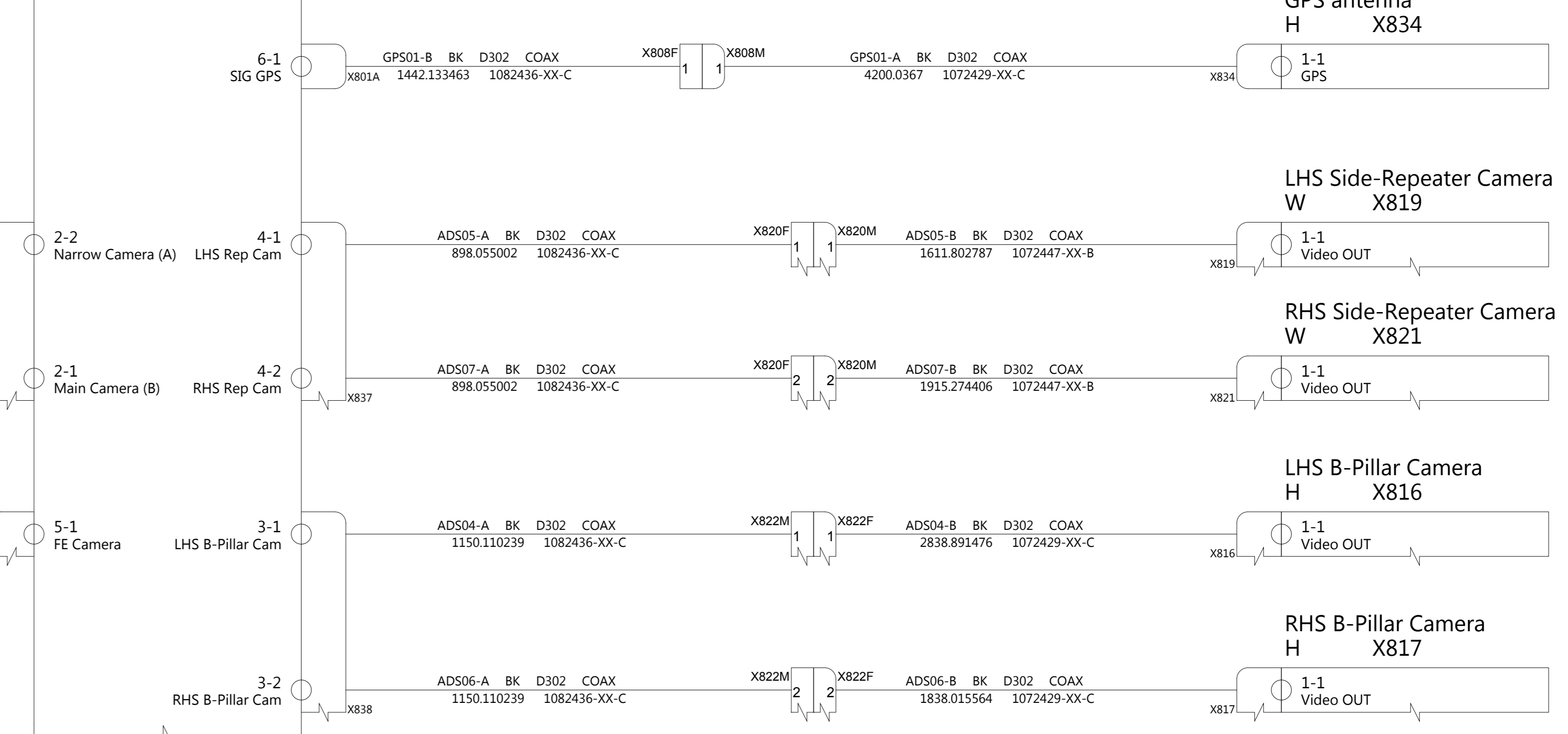
Radio Head Unit (TUNER)
J X562 X815 X818



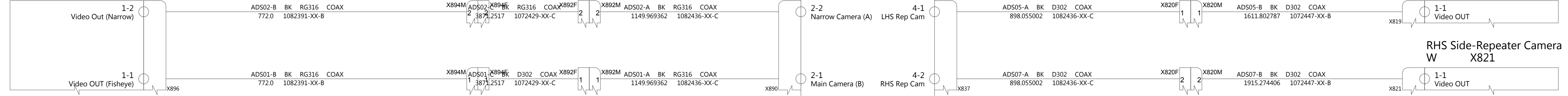
Center Display / Gateway E
J X170 X171 X173 X174 X175 X801 X802 X804 X829A X860 X862 X803 X862A



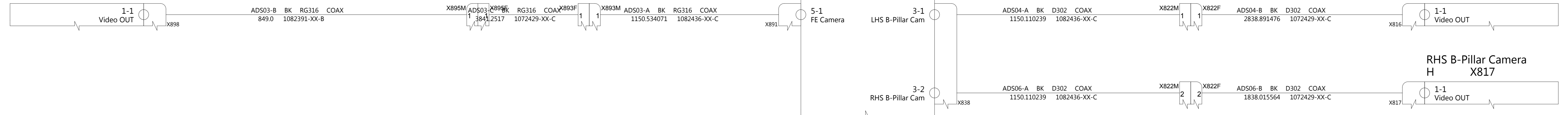
AutoPilot ECU 2.5 (DAS)
J X120A X890 X838 X837 X891 X801A X863 X878 X889 X899 X126



Triple Cam - Fisheye and Narrow
V X896



Triple Cam - Main Cam
V X898



TESLA

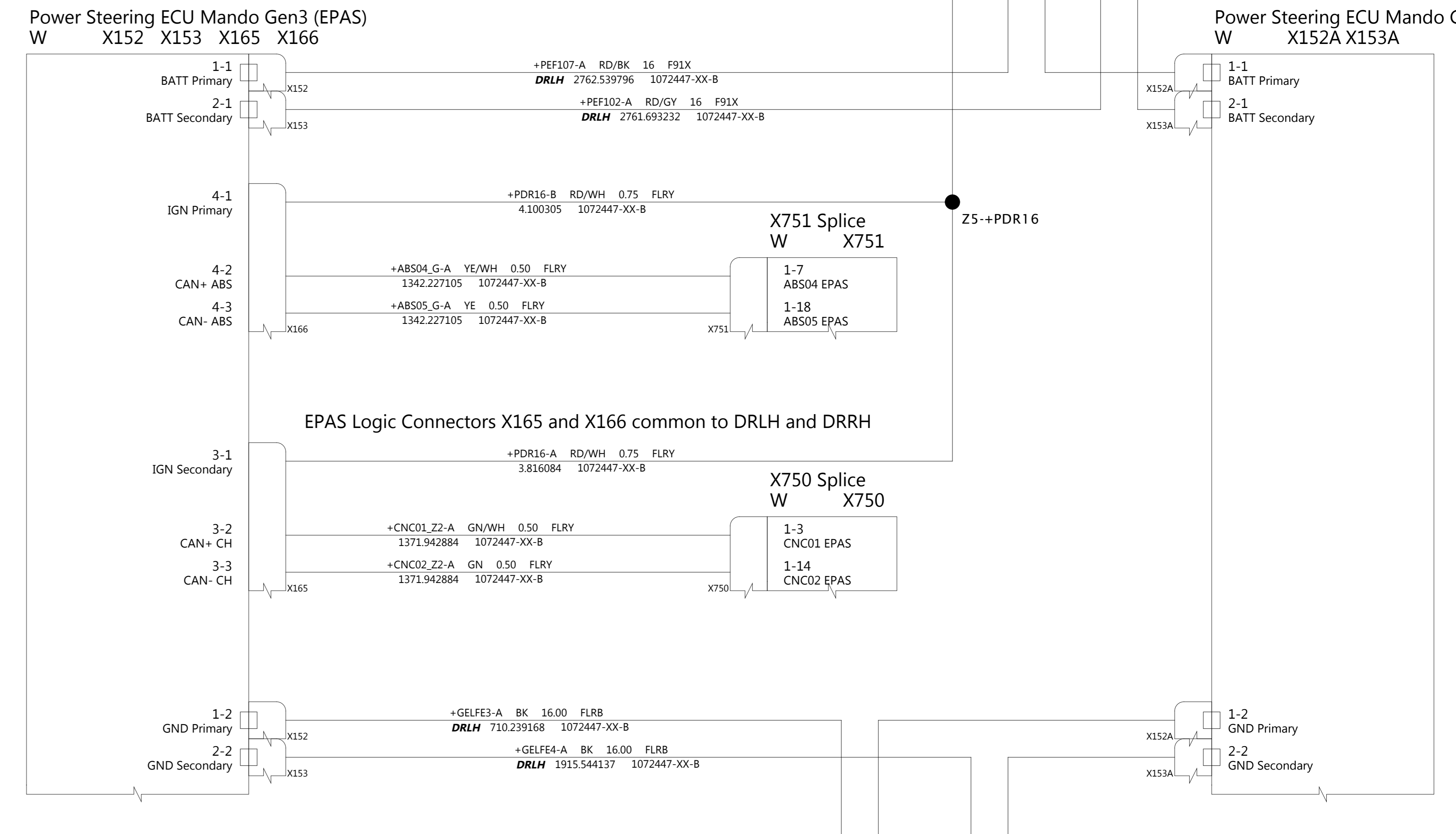
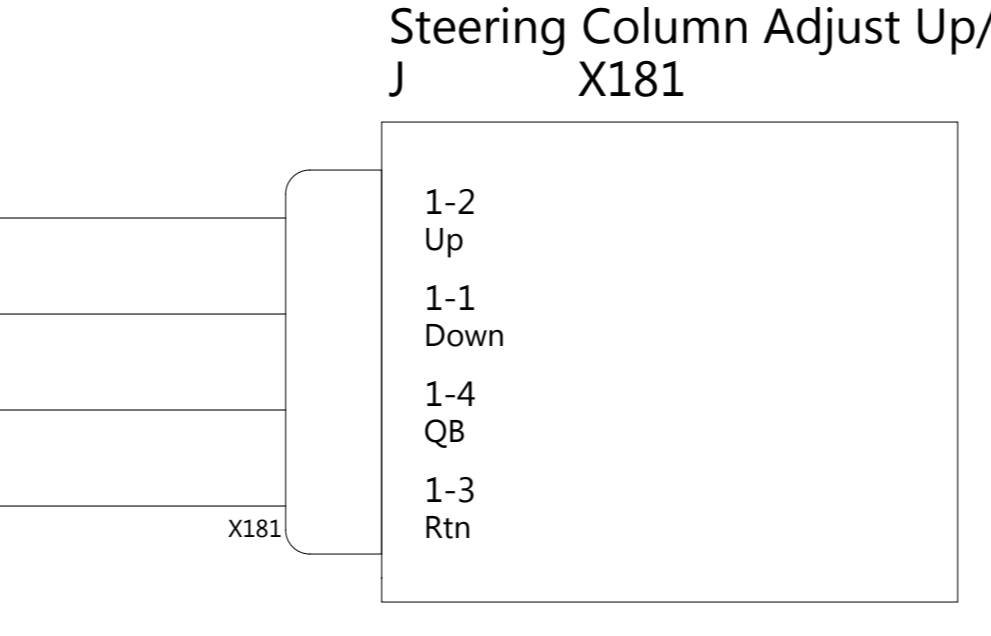
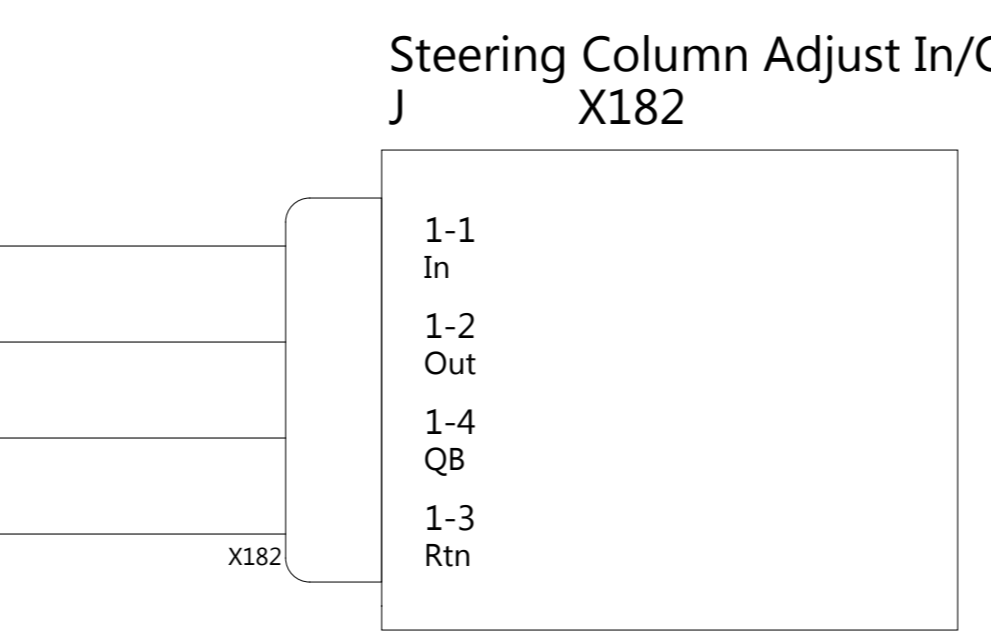
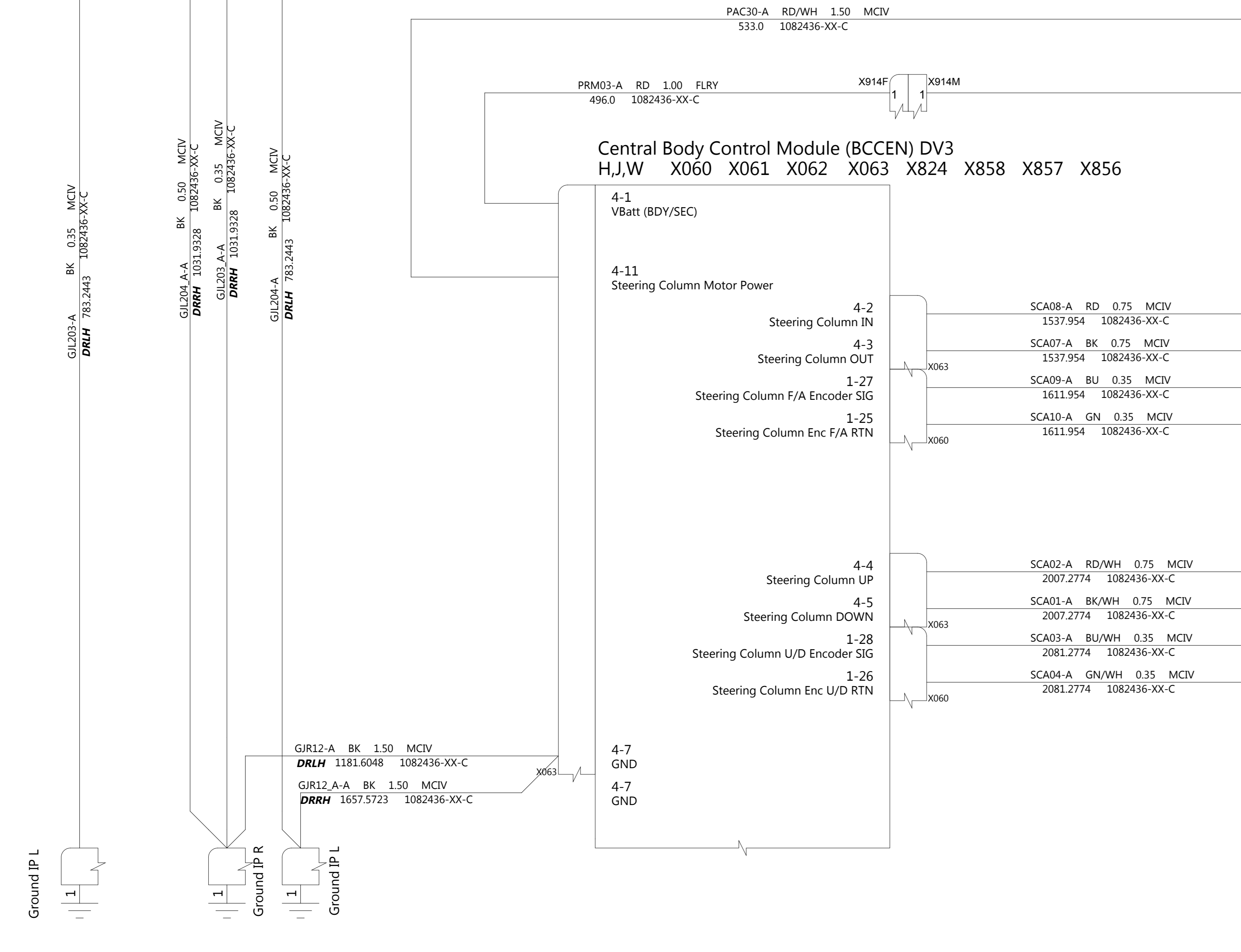
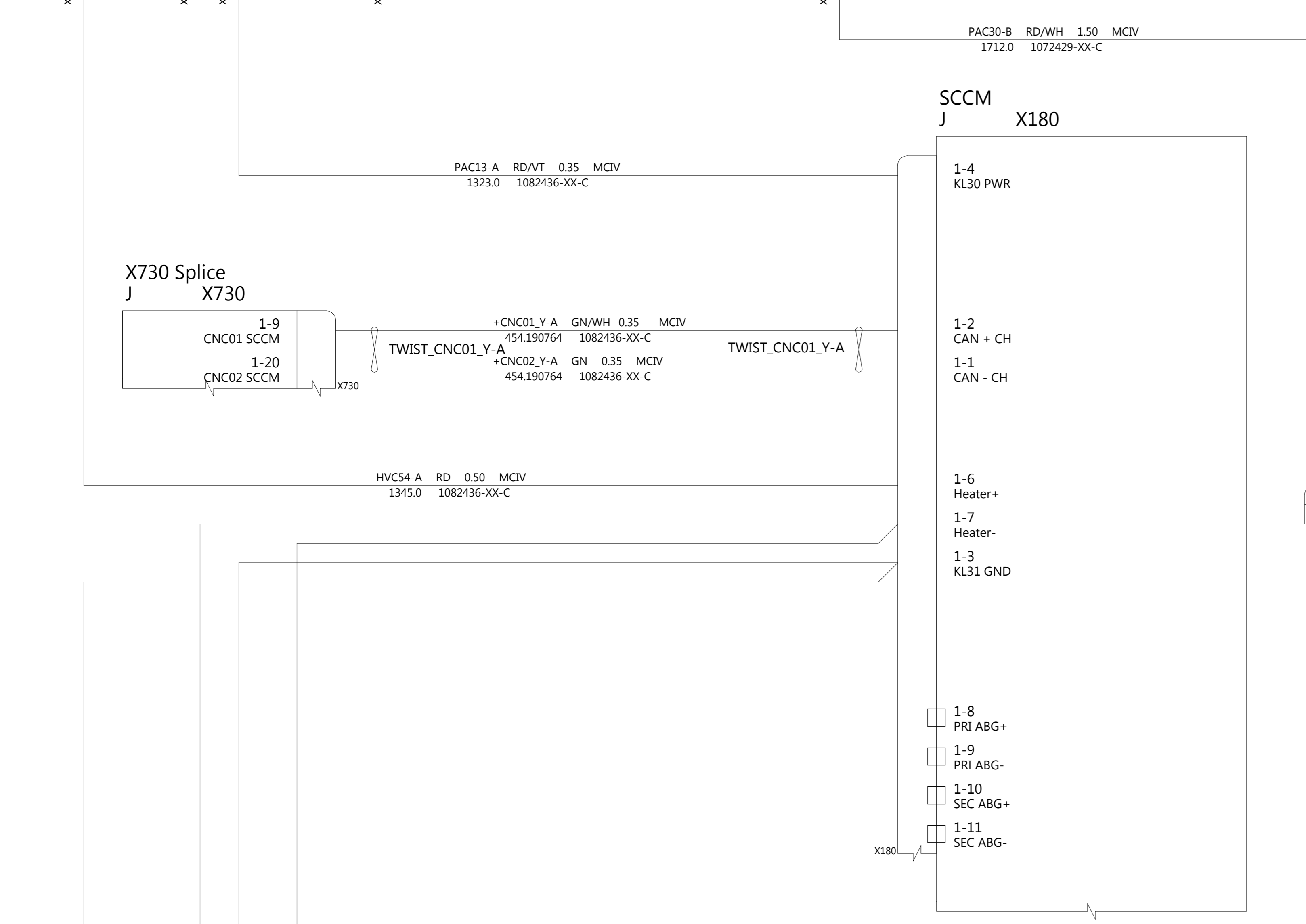
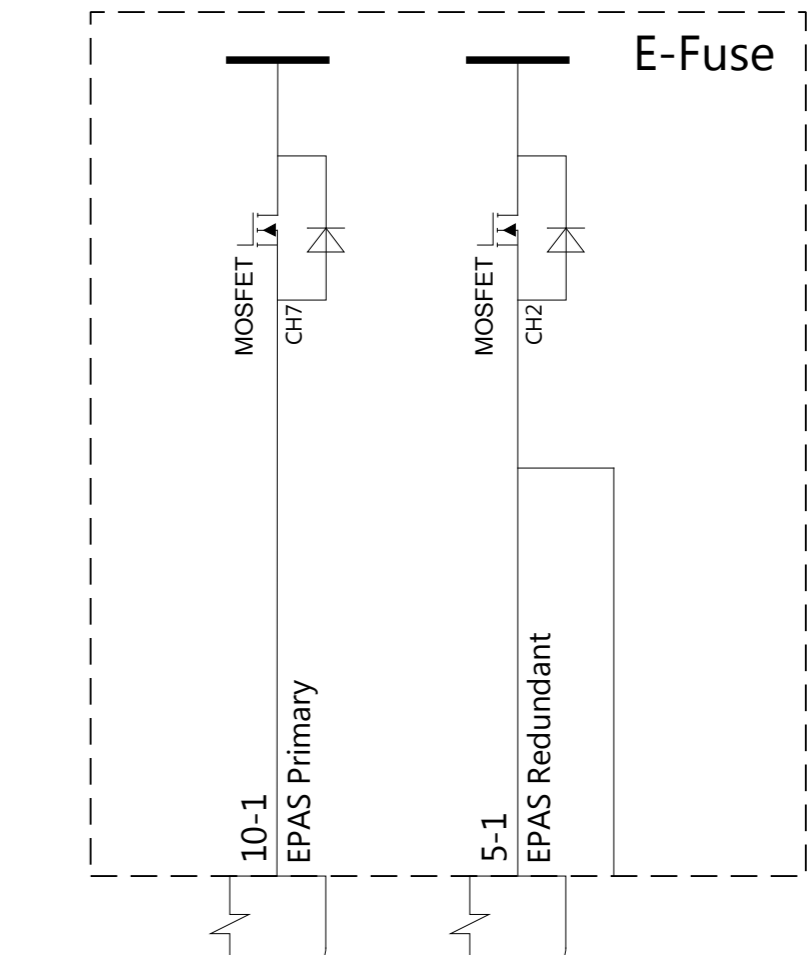
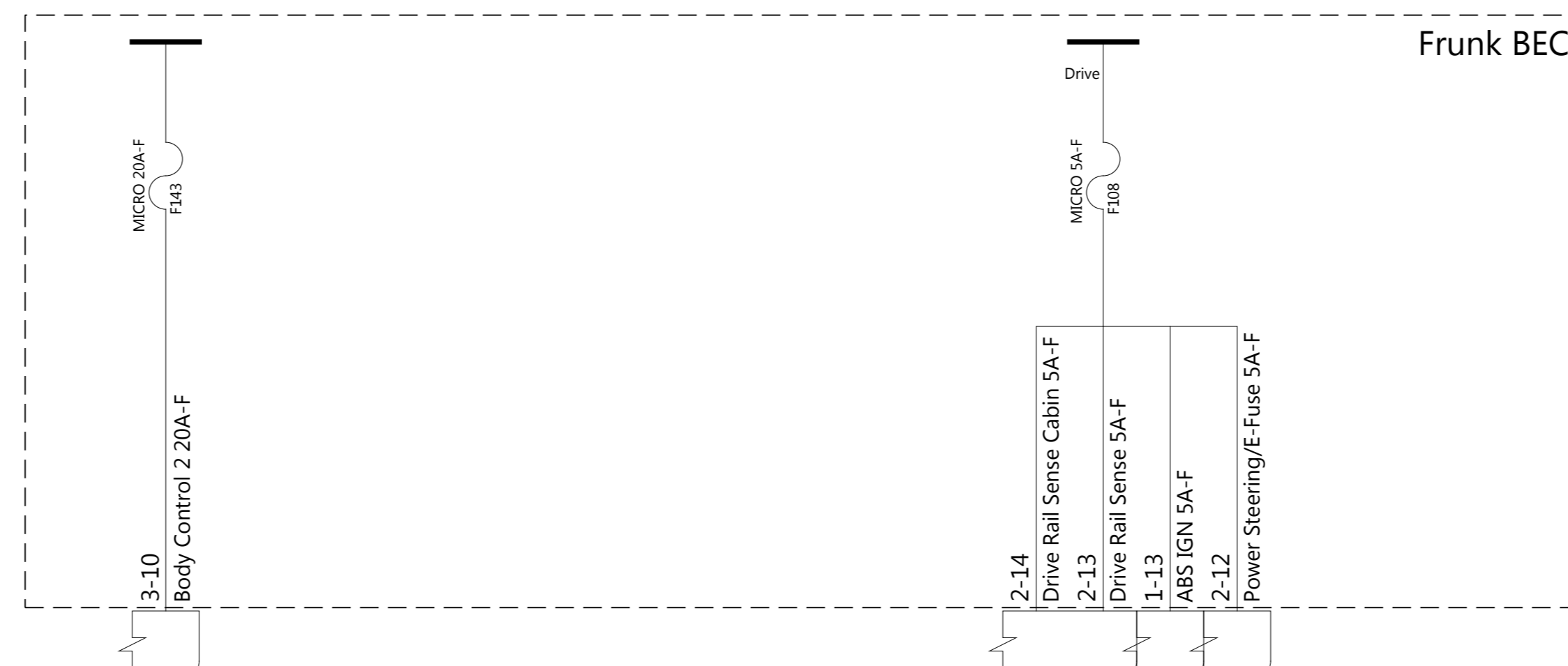
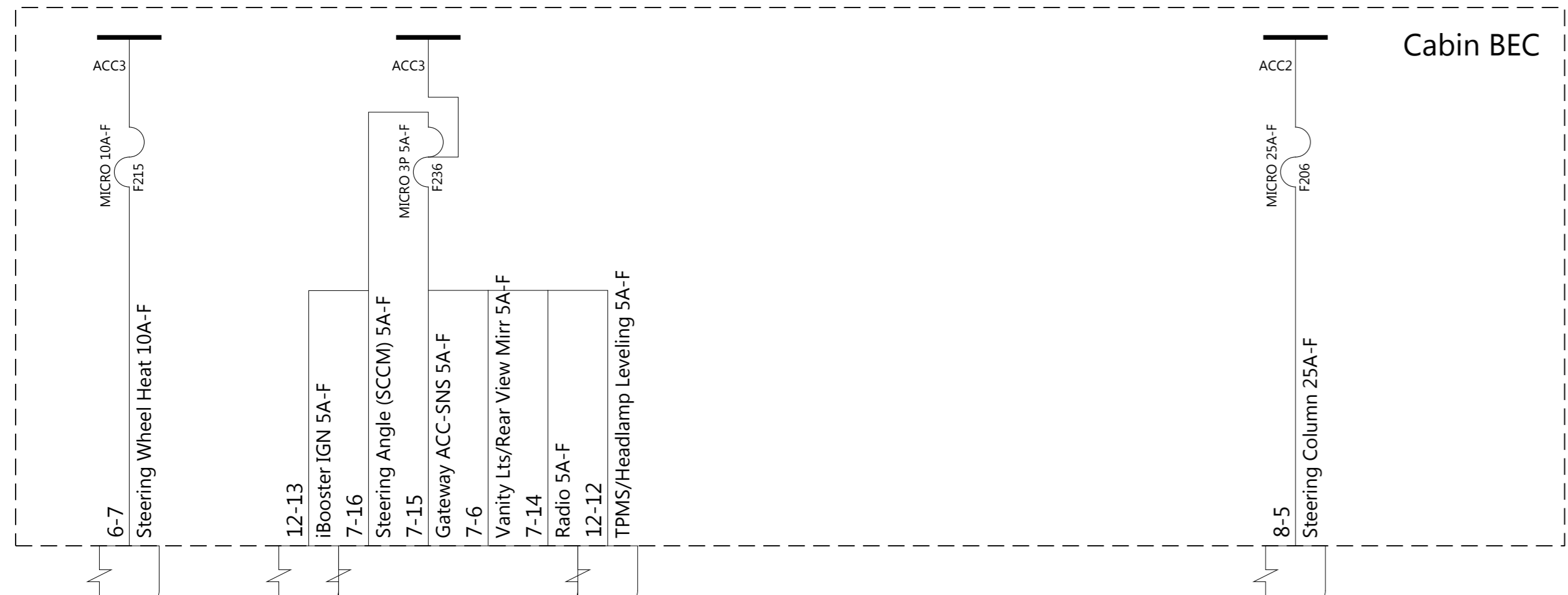
THE INFORMATION CONTAINED HEREIN IS DEEMED TO BE CONFIDENTIAL, PROPRIETARY, AND A TRADE SECRET OF TESLA MOTORS. THIS INFORMATION MAY NOT BE USED, REPRODUCED, OR DISCLOSED AS THE DIRECT OR INDIRECT BASIS FOR THE DEVELOPMENT, MANUFACTURE, OR SALE OF PROCESSES OR PRODUCTS WITHOUT THE EXPRESS WRITTEN CONSENT OF TESLA MOTORS.

DRAWN	CHECKED	APPROVED
-------	---------	----------

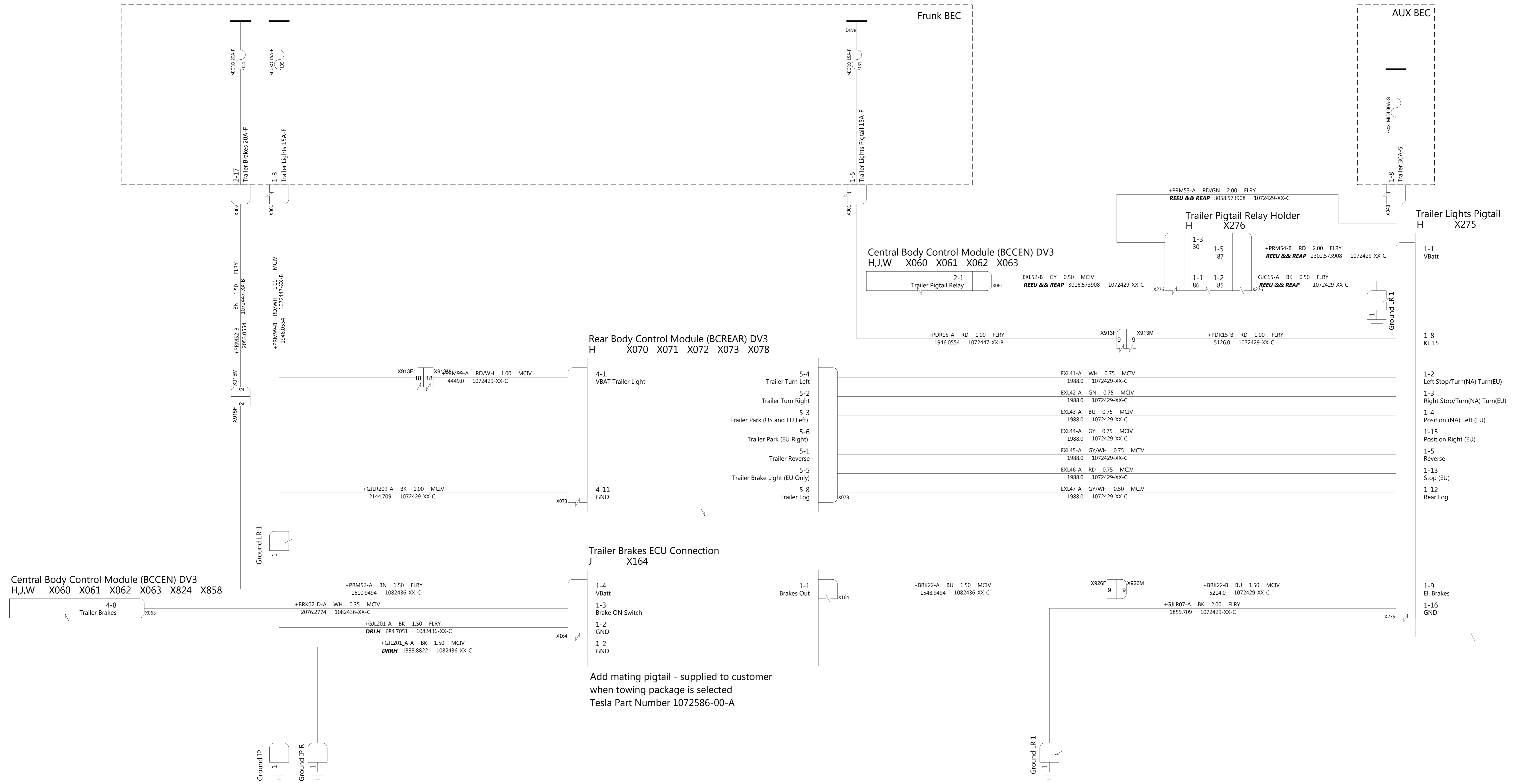
MATERIAL AS SPECIFIED	FINISHING AS SPECIFIED	SCALE NONE
--------------------------	---------------------------	---------------

PART NAME
RF Cables

PART NUMBER	REV RF C	SHEET 1 of 1	SIZE AO
-------------	-------------	-----------------	------------



TESLA			
THE INFORMATION CONTAINED HEREIN IS DEEMED TO BE CONFIDENTIAL, PROPRIETARY, AND A TRADE SECRET OF TESLA MOTORS. THIS INFORMATION MAY NOT BE USED, REPRODUCED, OR DISCLOSED AS THE DIRECT OR INDIRECT BASIS FOR THE DEVELOPMENT, MANUFACTURE, OR SALE OF PROCESSES OR PRODUCTS WITHOUT THE EXPRESSED WRITTEN CONSENT OF TESLA MOTORS.			
DRAWN	CHECKED	APPROVED	
MATERIAL AS SPECIFIED	FINISHING AS SPECIFIED	SCALE NONE	
PART NAME Steering			
PART NUMBER	REV	SHEET	SIZE
	3	1 OF 1	A0



TESLA

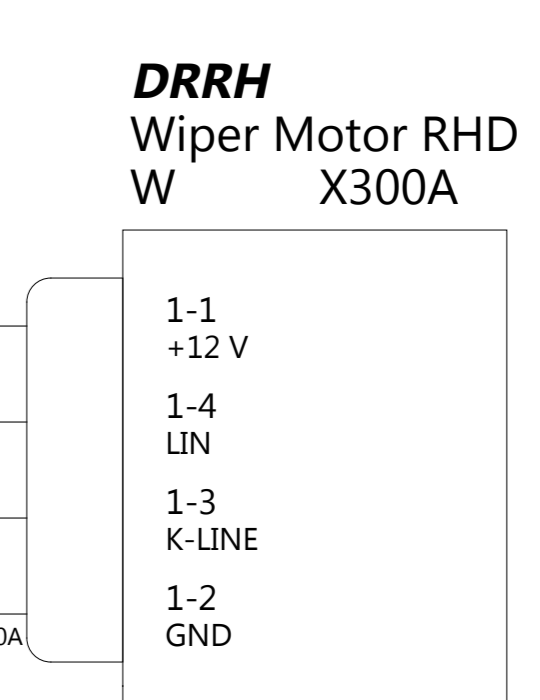
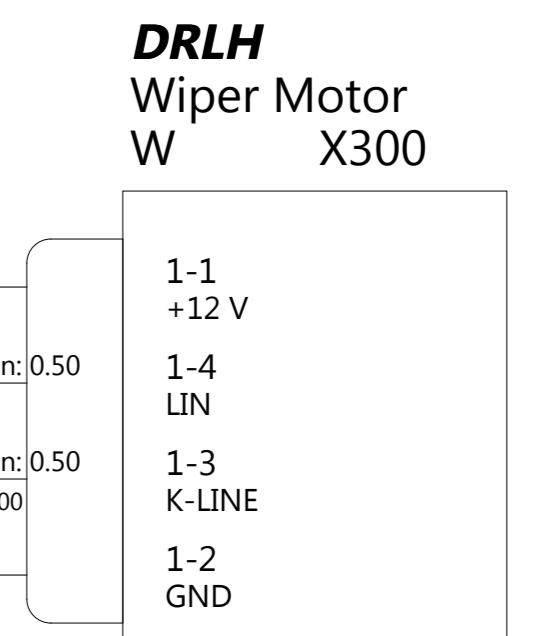
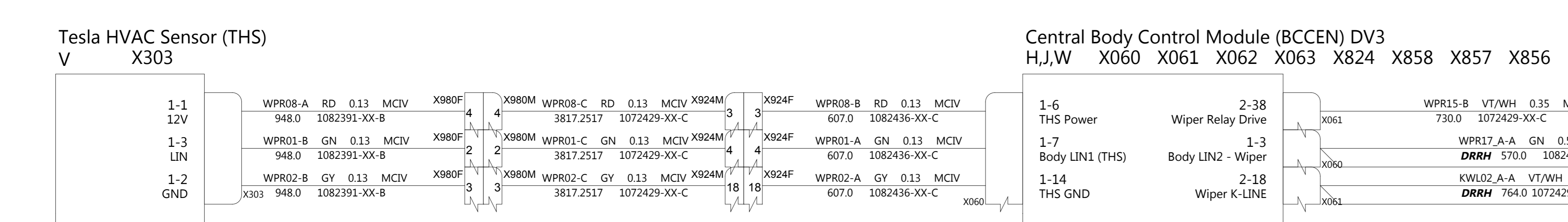
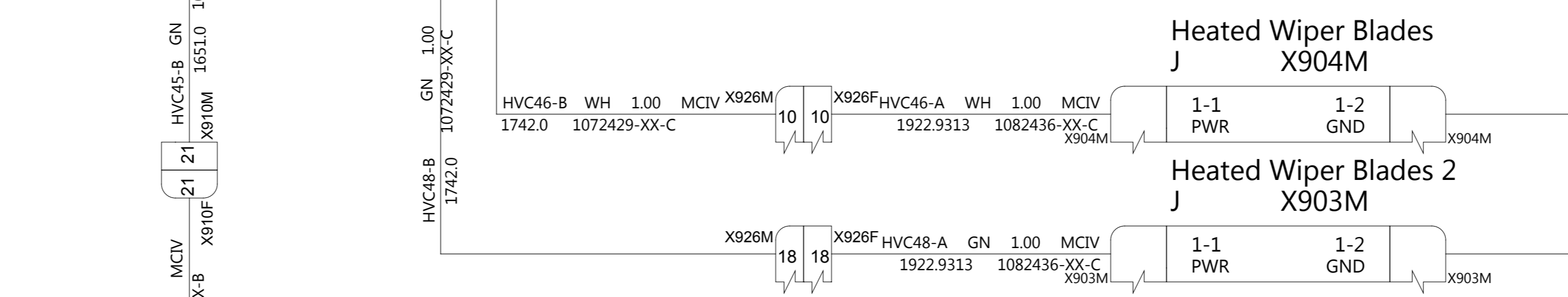
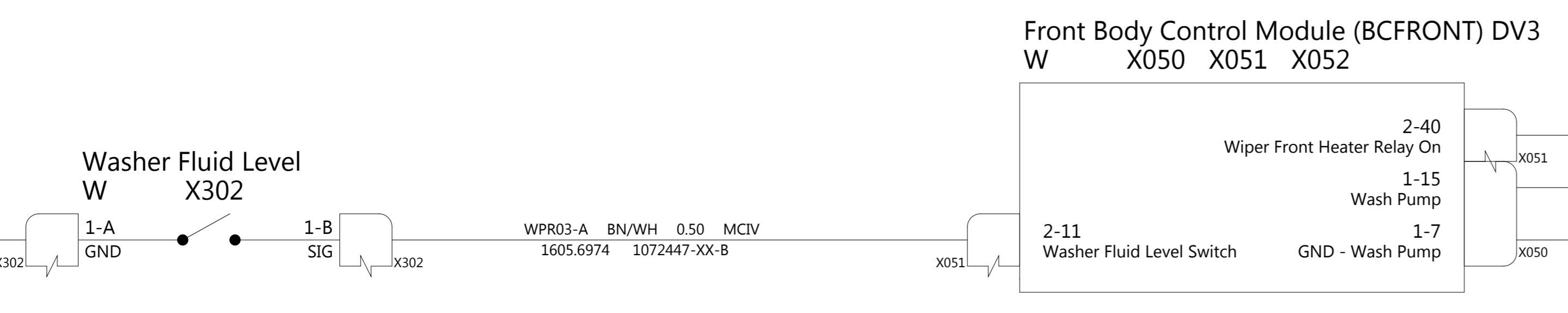
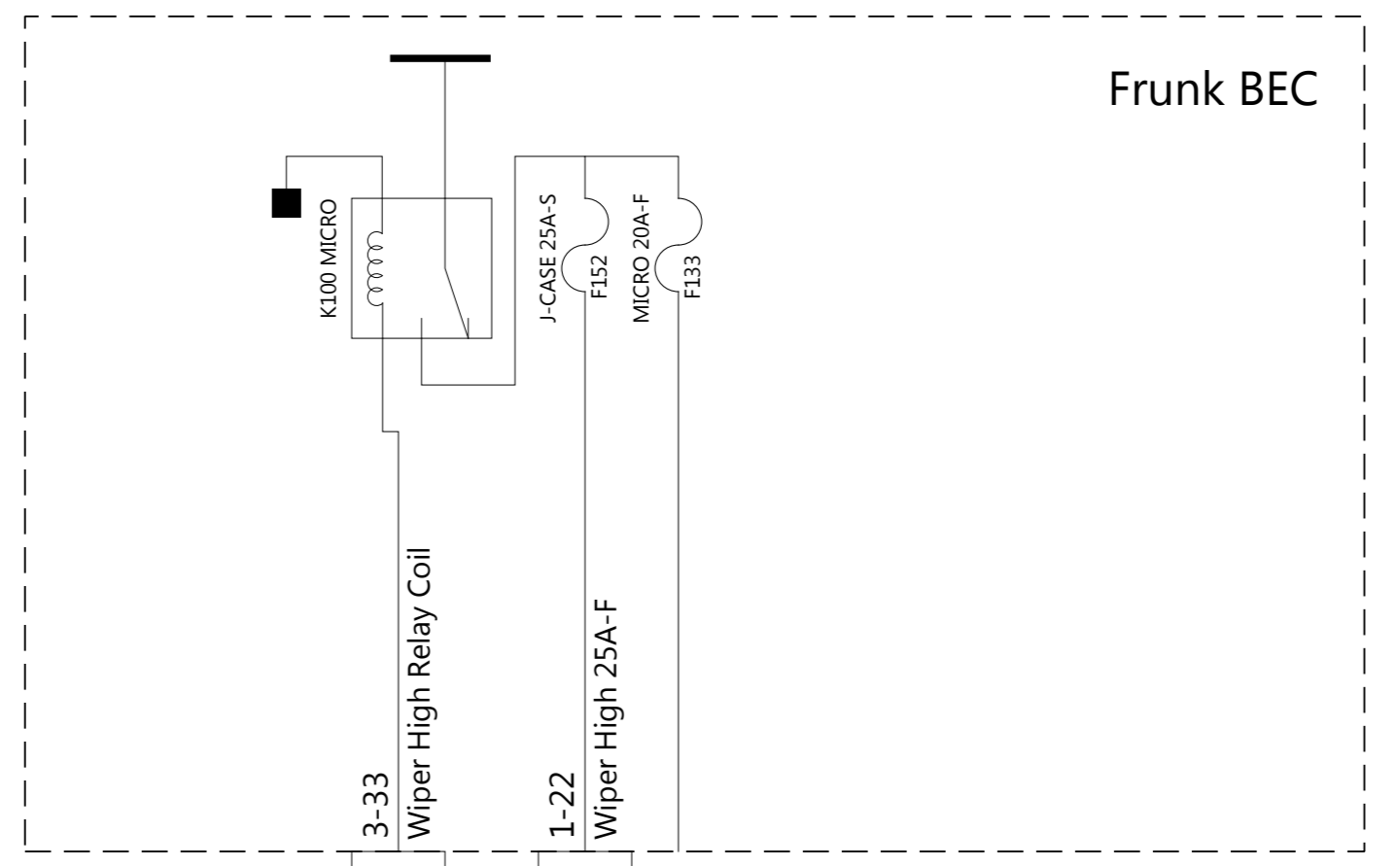
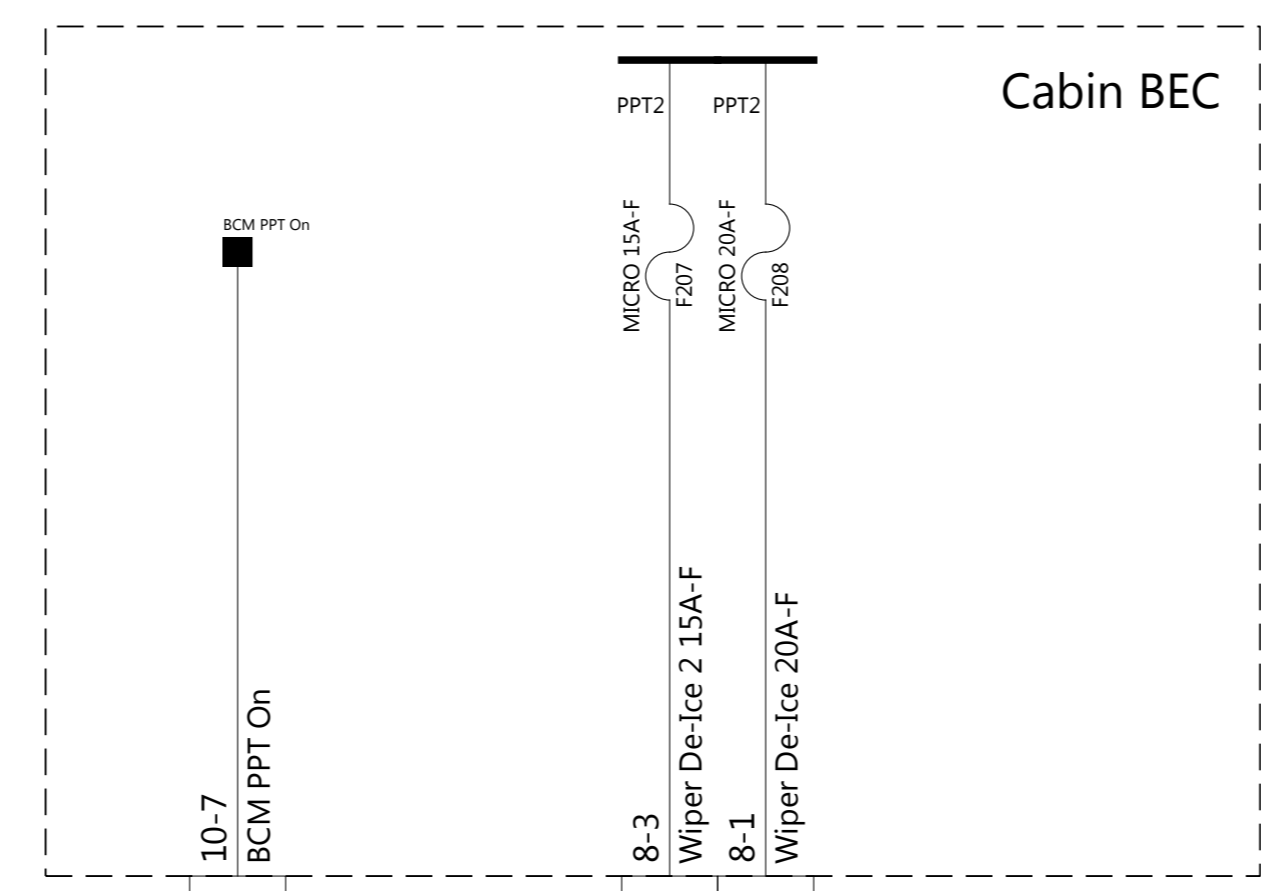
THE INFORMATION CONTAINED HEREIN IS DEEMED TO BE CONFIDENTIAL, PROPRIETARY, AND A TRADE SECRET OF TESLA MOTORS. THIS INFORMATION MAY NOT BE USED, REPRODUCED, OR DISCLOSED AS THE DIRECT OR INDIRECT BASIS FOR THE DEVELOPMENT, MANUFACTURE, OR SALE OF PROCESSES OR PRODUCTS WITHOUT THE EXPRESSED WRITTEN CONSENT OF TESLA MOTORS.

DRAWN	CHECKED	APPROVED
-------	---------	----------

MATERIAL AS SPECIFIED	FINISHING AS SPECIFIED	SCALE NONE
--------------------------	---------------------------	---------------

PART NAME
Trailer Systems

PART NUMBER	REV	SHEET	SIZE
	2	1 OF 1	A0



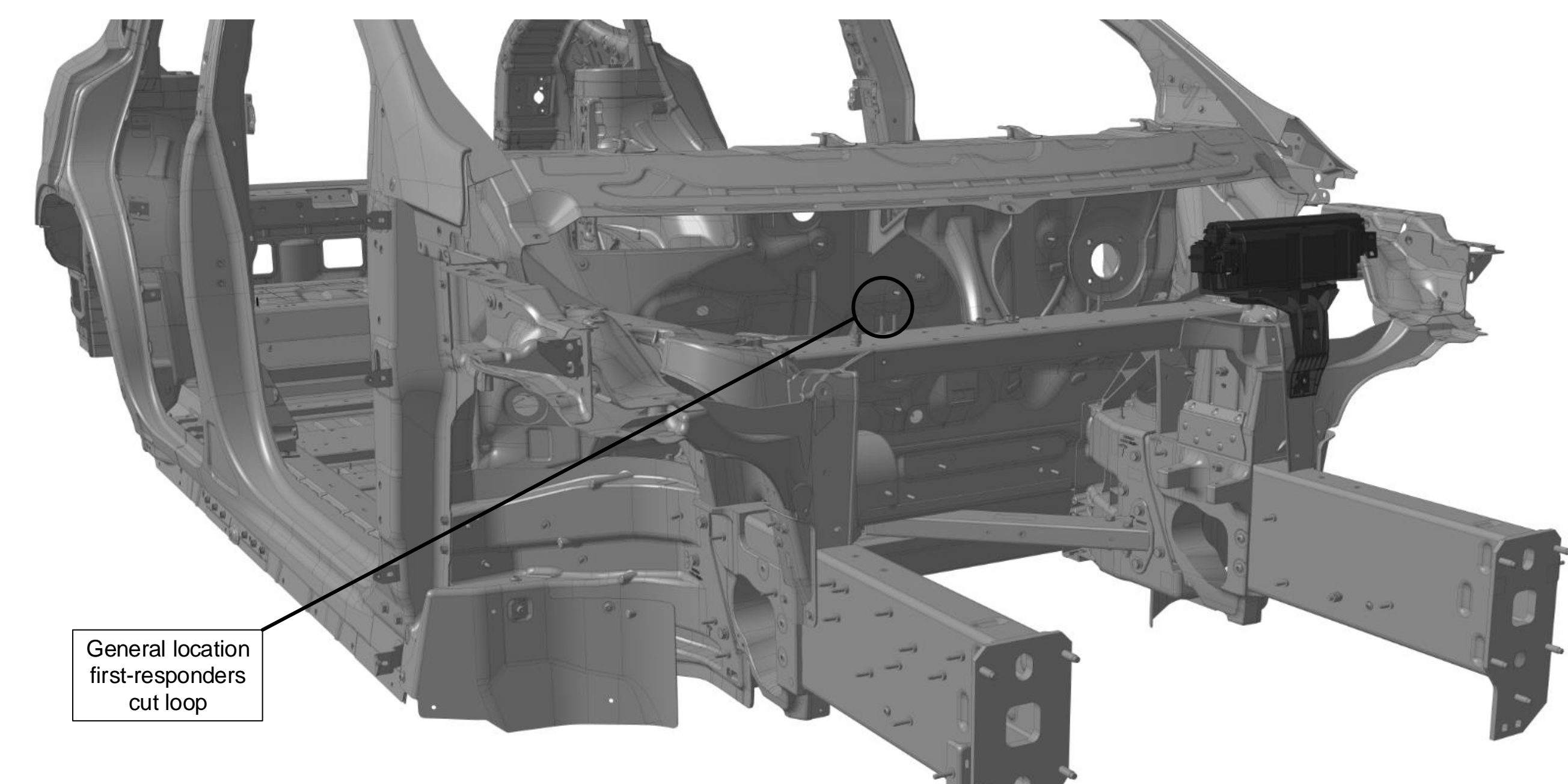
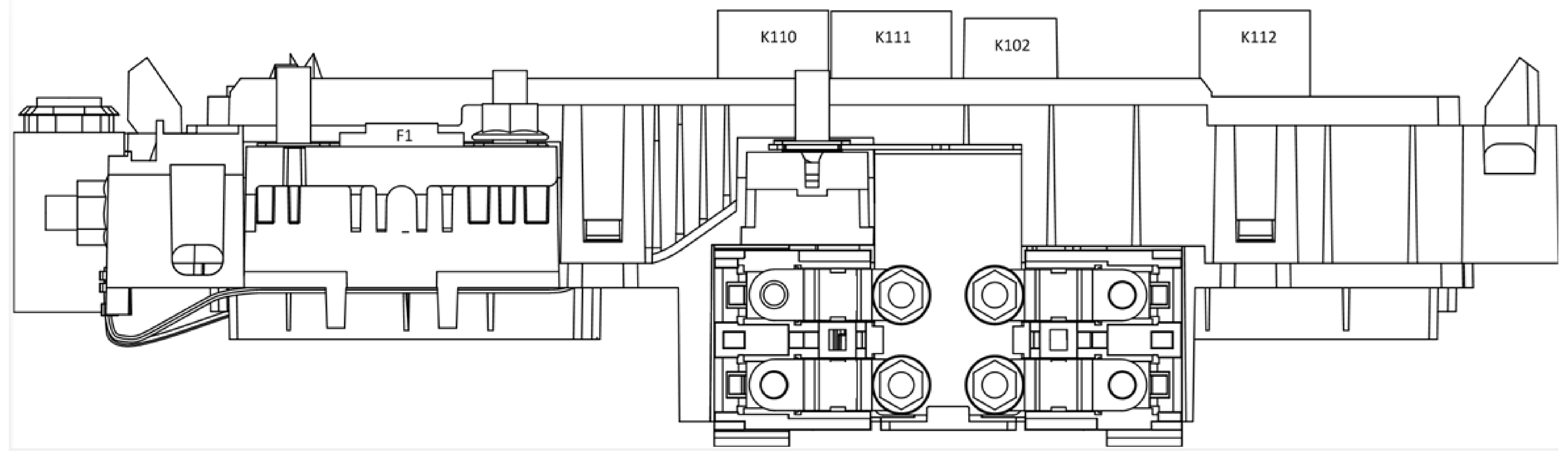
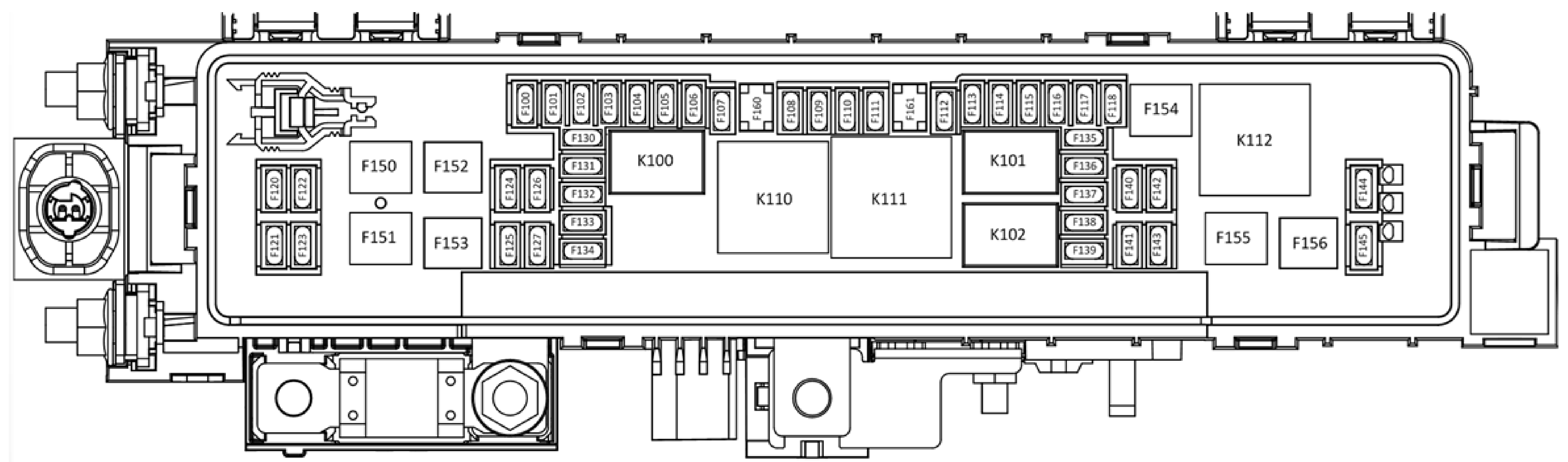
TESLA

THE INFORMATION CONTAINED HEREIN IS DEEMED TO BE CONFIDENTIAL, PROPRIETARY, AND A TRADE SECRET OF TESLA MOTORS. THIS INFORMATION MAY NOT BE USED, REPRODUCED, OR DISCLOSED AS THE OBJECT OR INSTRUMENT BASIS FOR THE DEVELOPMENT, MANUFACTURE, OR SALE OF PROCESSES OR PRODUCTS WITHOUT THE EXPRESSED WRITTEN CONSENT OF TESLA MOTORS.

DRAWN	CHECKED	APPROVED
MATERIAL AS SPECIFIED	FINISHING AS SPECIFIED	SCALE NONE
PART NAME Wiper/Washer and HVAC Sensor		
PART NUMBER	REV	SHEET
	5	1 OF 1
		SIZE A0

Fuse	Value	Function
F100	MICRO2 - 5A	Siren and Intrusion Sensor
F101	MICRO2 - 15A	not used
F102		not used
F103	MICRO2 - 25A	ABS - Valves
F104		not used
F105	MICRO2 - 15A	Trailer Lights
F106		not used
F107	MICRO2 - 5A	Drive Inverter, Rear
F108	MICRO2 - 5A	IGN Sense
F109	MICRO2 - 10A	not used
F110	MICRO2 - 5A	Airbag System
F111	MICRO2 - 20A	Trailer Brakes Controller (Controller supplied by Customer)
F112	MICRO2 - 5A	Cabin Climate Controls, Front
F113	MICRO2 - 10A	Cabin Heater, Rear Climate Control, Air Quality Sensor
F114	MICRO2 - 10A	Termal Controller, Battery Heater, Inlet, Chiller Valve
F115		not used
F116		not used
F117	MICRO2 - 10A	Air Suspension
F118	MICRO2 - 25A	not used
F120	MICRO2 - 15A	not used
F121	MICRO2 - 5A	not used
F122	MICRO2 - 15A	Coolant Pump 3 (PT1)
F123	MICRO2 - 15A	Coolant Pump 2 (BA1)
F124	MICRO2 - 10A	not used
F125	MICRO2 - 10A	Contactor Power
F126		not used
F127	MICRO2 - 5A	AutoPilot ECU 2.5
F130	MICRO2 - 15A	Forward Radar
F131	MICRO2 - 15A	IGN - Trailer Connector
F132	MICRO2 - 5A	Drive Inverter, Front
F133	MICRO2 - 30A	Power Liftgate
F134	MICRO2 - 20A	Headlamp, Right
F135	MICRO2 - 10A	Forward Camera Defog
F136	MICRO2 - 15A	Coolant Pump 4 (PT2)
F137	MICRO2 - 15A	Coolant Pump 1 (BA1)
F138	MICRO2 - 30A	Rear Defrost Grid
F139	MICRO2 - 15A	Horns
F140		not used
F141		not used
F142		not used
F143	MICRO2 - 20A	Central Body Controller
F144	MICRO2 - 20A	Headlamp, Left
F145	MICRO2 - 15A	Front Body Controller
F150	JCASELP - 25A	Left Front Door Actuator
F151		not used
F152	JCASELP - 25A	Rear Cabin Blower
F153		not used
F154		not used
F155		not used
F156		not used
F160	JCASELP - 30A	Cabin Blower, Front
F161	JCASEM - 25A	Right Front Door Actuator

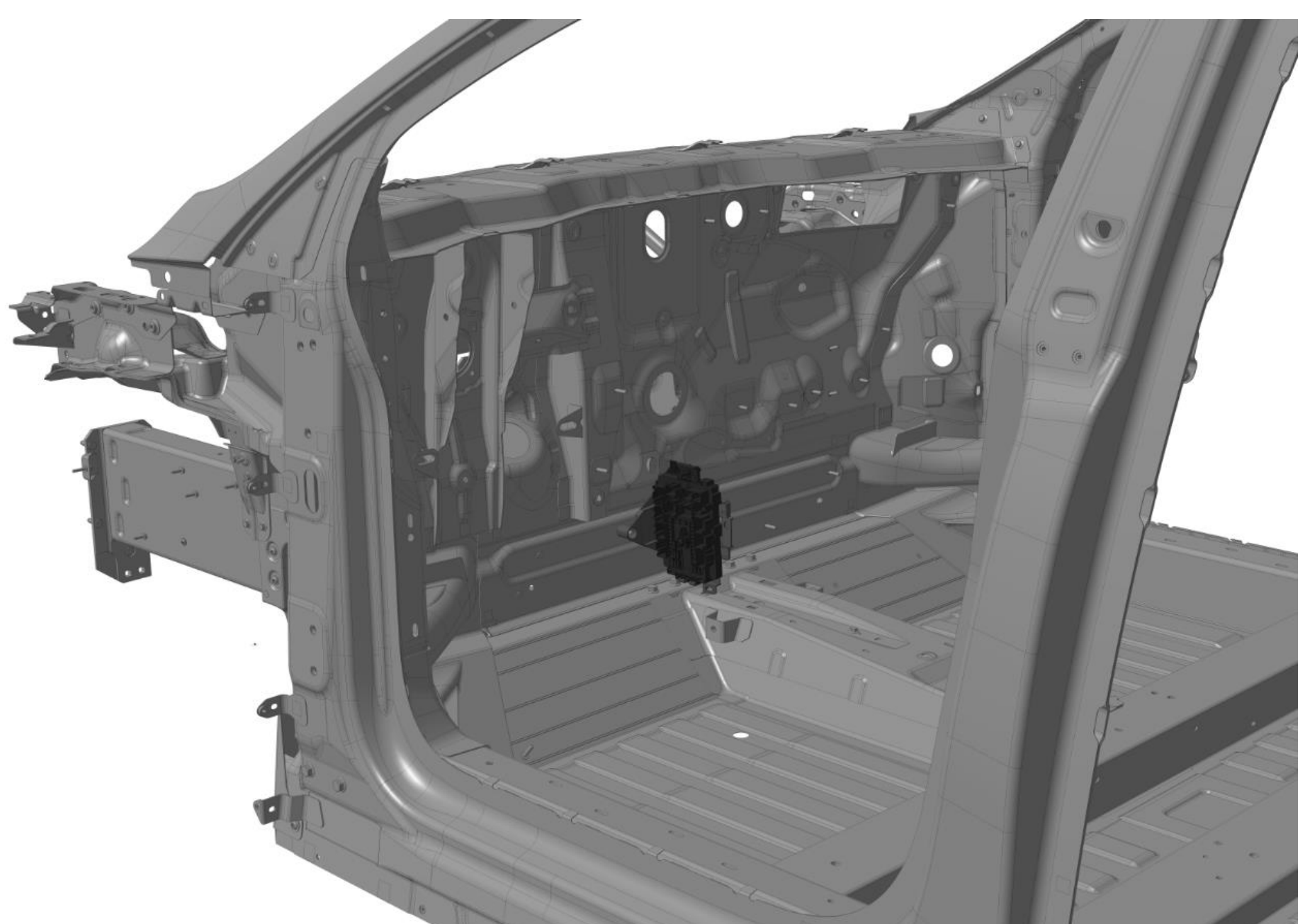
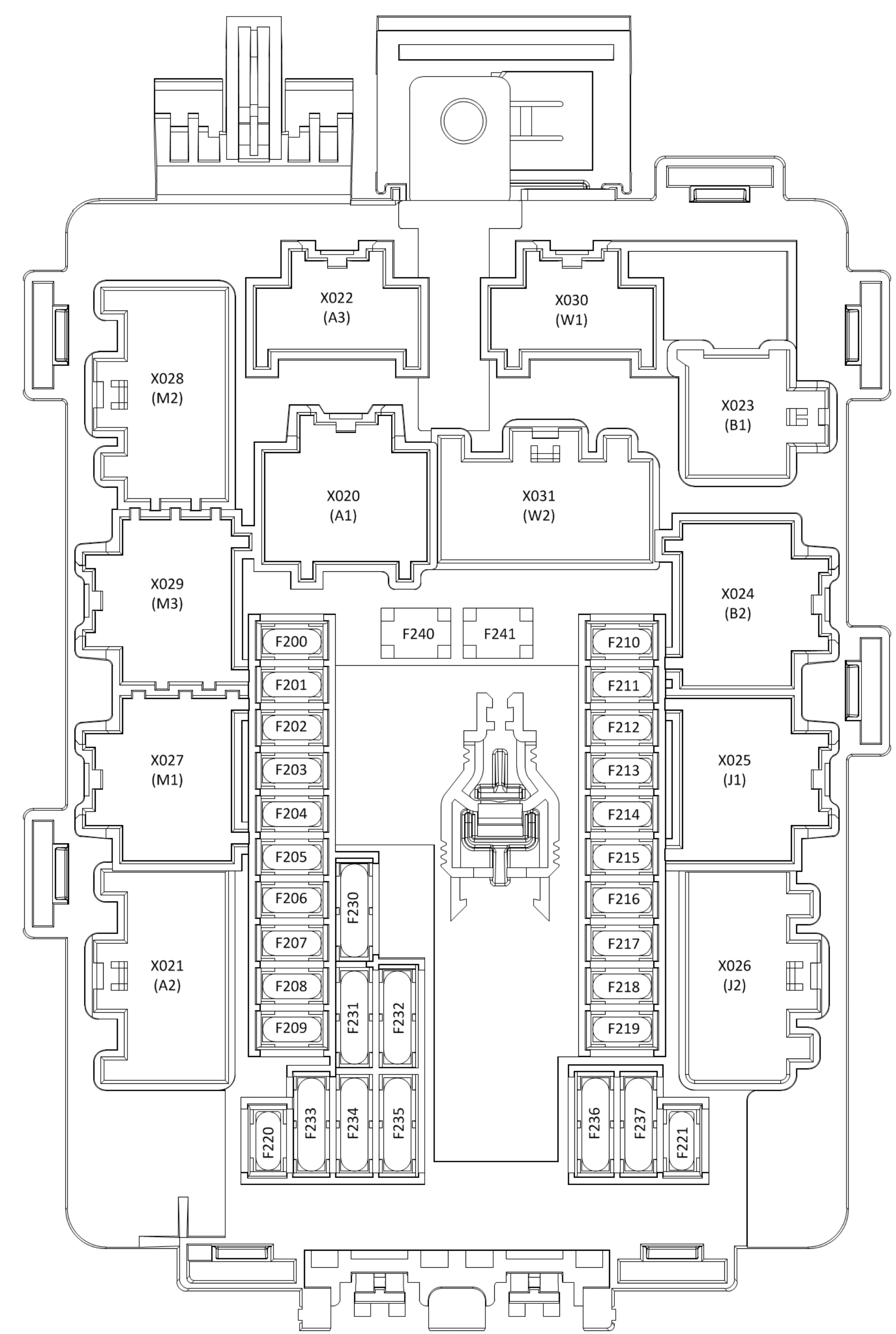
Relay	Type	Function
K100	MICRO280	Windshield Wiper
K101	MICRO280	HVAC Group 1 (F114, F136, F137)
K102	MICRO280	Rear Defrost Grid
K110	ISO	IGN / Drive Power (F107-F110, F130-F132)
K111	ISO	HVAC (F112, F113, F160)
K112	ISO	not used



NAME		DATE		INTERPRET DIMENSIONS AND TOLERANCES PER ISO 1101, 128, 129	
DRAWN BY	AS SPECIFIED	AS SPECIFIED	AS SPECIFIED	AS SPECIFIED	AS SPECIFIED
TESLA					
THE INFORMATION CONTAINED HEREIN IS DEEMED TO BE CONFIDENTIAL, PROPRIETARY, AND A TRADE SECRET OF TESLA MOTORS. THIS INFORMATION MAY NOT BE USED, REPRODUCED, OR DISCLOSED AS THE DIRECT OR INDIRECT BASIS FOR THE DEVELOPMENT, MANUFACTURE, OR SALE OF PROCESSES OR PRODUCTS WITHOUT THE EXPRESSED WRITTEN CONSENT OF TESLA MOTORS.					
MATERIAL AS SPECIFIED					
FINISH AS SPECIFIED				EST. WEIGHT (g): TBD	
THIRD ANGLE PROJECTION		DIMENSIONS ARE IN MILLIMETERS		SCALE	SHEET SIZE
		TOLERANCES: ANGULAR ±0.5° OTHER: See above		NONE	B
ITEM NAME Model X Frunk Fuse box – SOP1					
ITEM NUMBER AS SPECIFIED				REVISION 01	SHEET 1 of 1

Fuse	Value	Function
F200	MICRO2 - 5A	Seat Memory
F201	MICRO2 - 25A	Window Motor, LR
F202	MICRO2 - 15A	not used
F203	MICRO2 - 20A	12V Outlet Center Console
F204	MICRO2 - 25A	Window Motor, RF
F205	MICRO2 - 25A	Window Motor, LF
F206	MICRO2 - 25A	Central Body Controller - Steering Column Adjust
F207	MICRO2 - 15A	Wiper De-Ice
F208	MICRO2 - 20A	Wiper De-Ice
F209	MICRO2 - 15A	not used
F210	MICRO2 - 30A	Power Liftgate
F211	MICRO2 - 25A	Window Motor, RR
F212	MICRO2 - 20A	not used
F213	MICRO2 - 20A	not used
F214	MICRO2 - 30A	AutoPilot ECU Primary
F215	MICRO2 - 10A	Steering Wheel Heater
F216	MICRO2 - 25A	Electric Park Brake (Primary)
F217	MICRO2 - 20A	Premium Audio Amplifier
F218	MICRO2 - 20A	Base Audio Amplifier
F219	MICRO2 - 5A	Diagnostic Port
F220	MICRO2 - 5A	Brake on-off Switch
F221	MICRO2 - 5A	Battery Management System
F230	MICRO3 - 15A	Third Row USB 12V Outlet USB Hub
F231	MICRO3 - 15A	Accessory Power 12V Outlet Rear Trunk
F232	MICRO3 - 15A	Seat Heater Left Front Seat Heater Right Front
F233	MICRO3 - 15A	not used
F234	MICRO3 - 15A	Door Controls Left Rear Door Controls Right Rear
F235	MICRO3 - 10A	Charging Systems Center Display
F236	MICRO3 - 5A	SCCM, iBooster IGN ACC Sense, Rear-View Mirror, Radio, TPMS
F237	MICRO3 - 5A	iBooster Instrument Cluster
F240	JCASEM - 15A	Seat Motors, Right Front
F241	JCASEM - 15A	Seat Motors, Left Front

No serviceable relays in Cabin Fuse box



NAME		DATE	INTERPRET DIMENSIONS AND TOLERANCES PER ISO 1101, 128, 129	
DRAWN BY	AS SPECIFIED	AS SPECIFIED		
TESLA				
THE INFORMATION CONTAINED HEREIN IS DEEMED TO BE CONFIDENTIAL, PROPRIETARY, AND A TRADE SECRET OF TESLA MOTORS. THIS INFORMATION MAY NOT BE USED, REPRODUCED, OR DISCLOSED AS THE DIRECT OR INDIRECT BASIS FOR THE DEVELOPMENT, MANUFACTURE, OR SALE OF PROCESSES OR PRODUCTS WITHOUT THE EXPRESSED WRITTEN CONSENT OF TESLA MOTORS.				
MATERIAL AS SPECIFIED				
FINISH AS SPECIFIED			EST. WEIGHT (g): TBD	
THIRD ANGLE PROJECTION 		DIMENSIONS ARE IN MILLIMETERS TOLERANCES: ANGULAR ±0.5° OTHER: See above		SCALE NONE
SHEET SIZE B				
ITEM NAME Model X Cabin Fuse box – SOP1				
ITEM NUMBER AS SPECIFIED			REVISION 01	SHEET 1 of 1

1

2

3

4

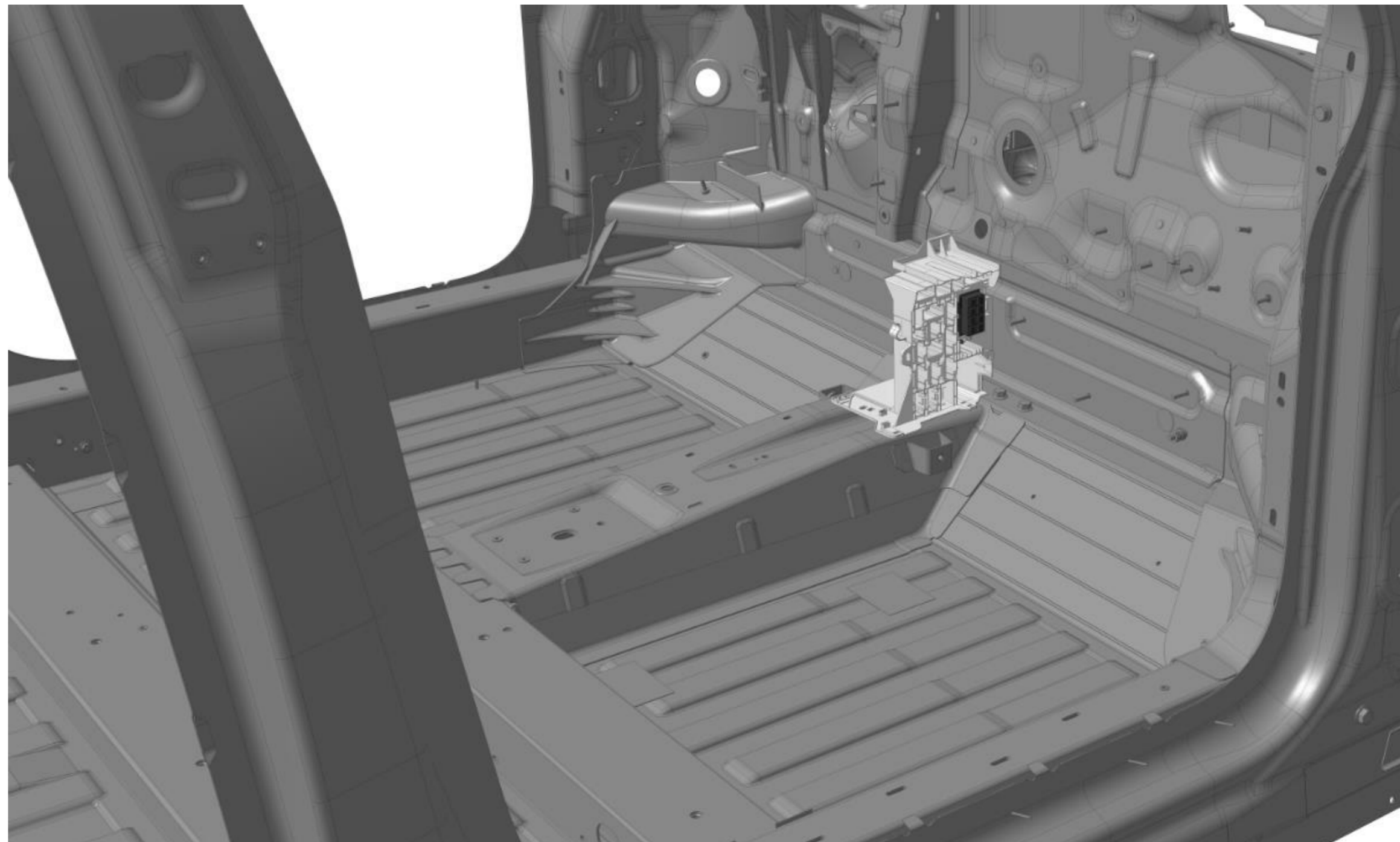
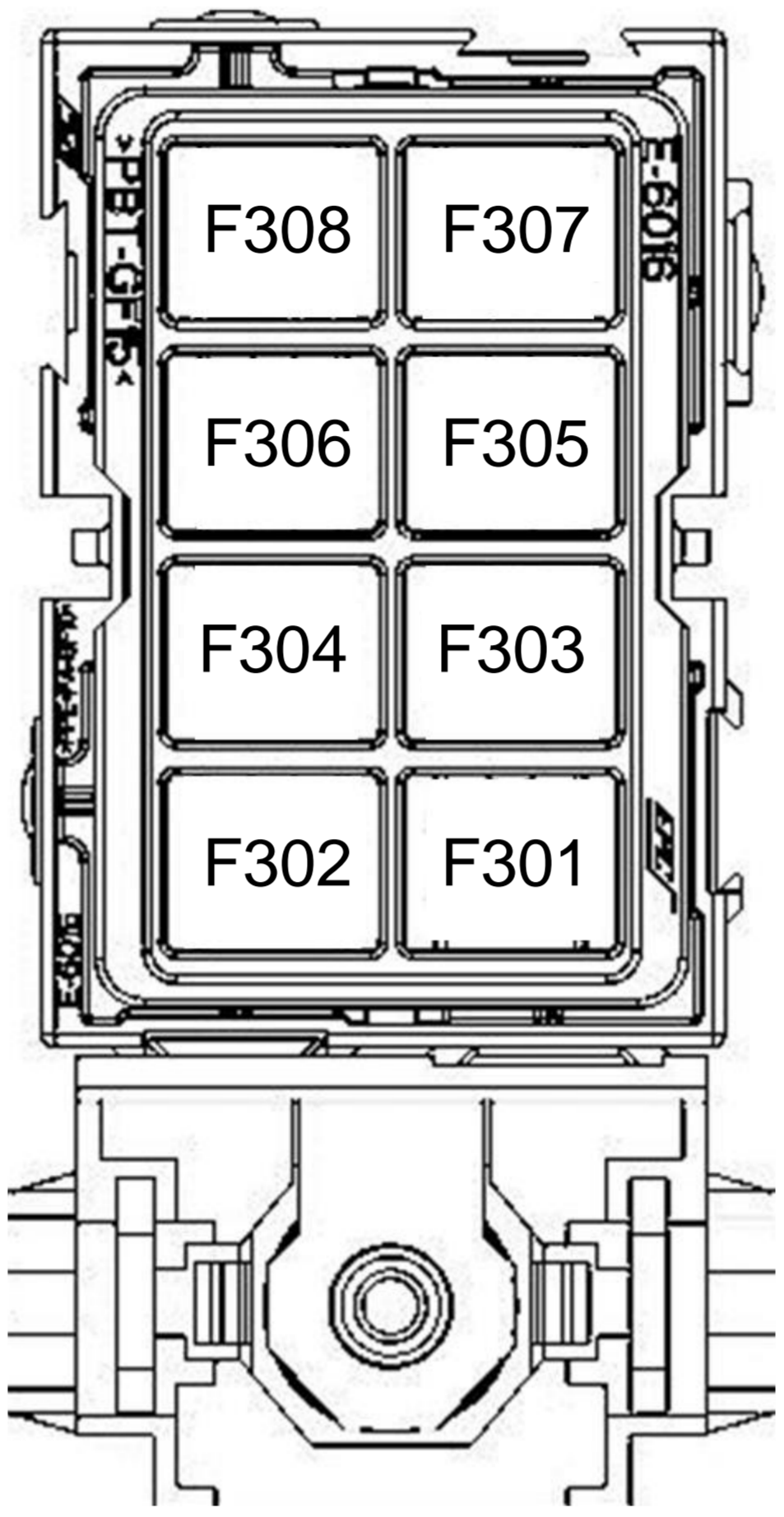
5

6

7

8

Fuse	Value	Function
F301	JCASE - 50A	Left Rear Door Actuators
F302	JCASE - 50A	Right Rear Door Actuators
F303	JCASE - 50A	Right Rear Door Actuators
F304	JCASE - 50A	Left Rear Door Actuators
F305	JCASE - 30A	Second Row Seat Power, Left
F306	JCASE - 30A	Second Row Seat Power, Middle
F307	JCASE - 30A	Second Row Seat Power, Right
F308	JCASE - 30A	Trailer Brakes Power



NAME		DATE		INTERPRET DIMENSIONS AND TOLERANCES PER ISO 1101, 128, 129	
DRAWN BY	AS SPECIFIED	AS SPECIFIED	AS SPECIFIED		
TESLA					
THE INFORMATION CONTAINED HEREIN IS DEEMED TO BE CONFIDENTIAL, PROPRIETARY, AND A TRADE SECRET OF TESLA MOTORS. THIS INFORMATION MAY NOT BE USED, REPRODUCED, OR DISCLOSED AS THE DIRECT OR INDIRECT BASIS FOR THE DEVELOPMENT, MANUFACTURE, OR SALE OF PROCESSES OR PRODUCTS WITHOUT THE EXPRESSED WRITTEN CONSENT OF TESLA MOTORS.					
MATERIAL AS SPECIFIED					
FINISH AS SPECIFIED				EST. WEIGHT (g): TBD	
THIRD ANGLE PROJECTION 		DIMENSIONS ARE IN MILLIMETERS TOLERANCES: ANGULAR ±0.5° OTHER: See above		SCALE NONE	SHEET SIZE B
ITEM NAME Model X Aux Fuse box – SOP1					
ITEM NUMBER AS SPECIFIED				REVISION 01	SHEET 1 of 1

1

2

3

4

5

6

7

8

1

2

3

4

5

6

7

8

Air Suspension Compressor

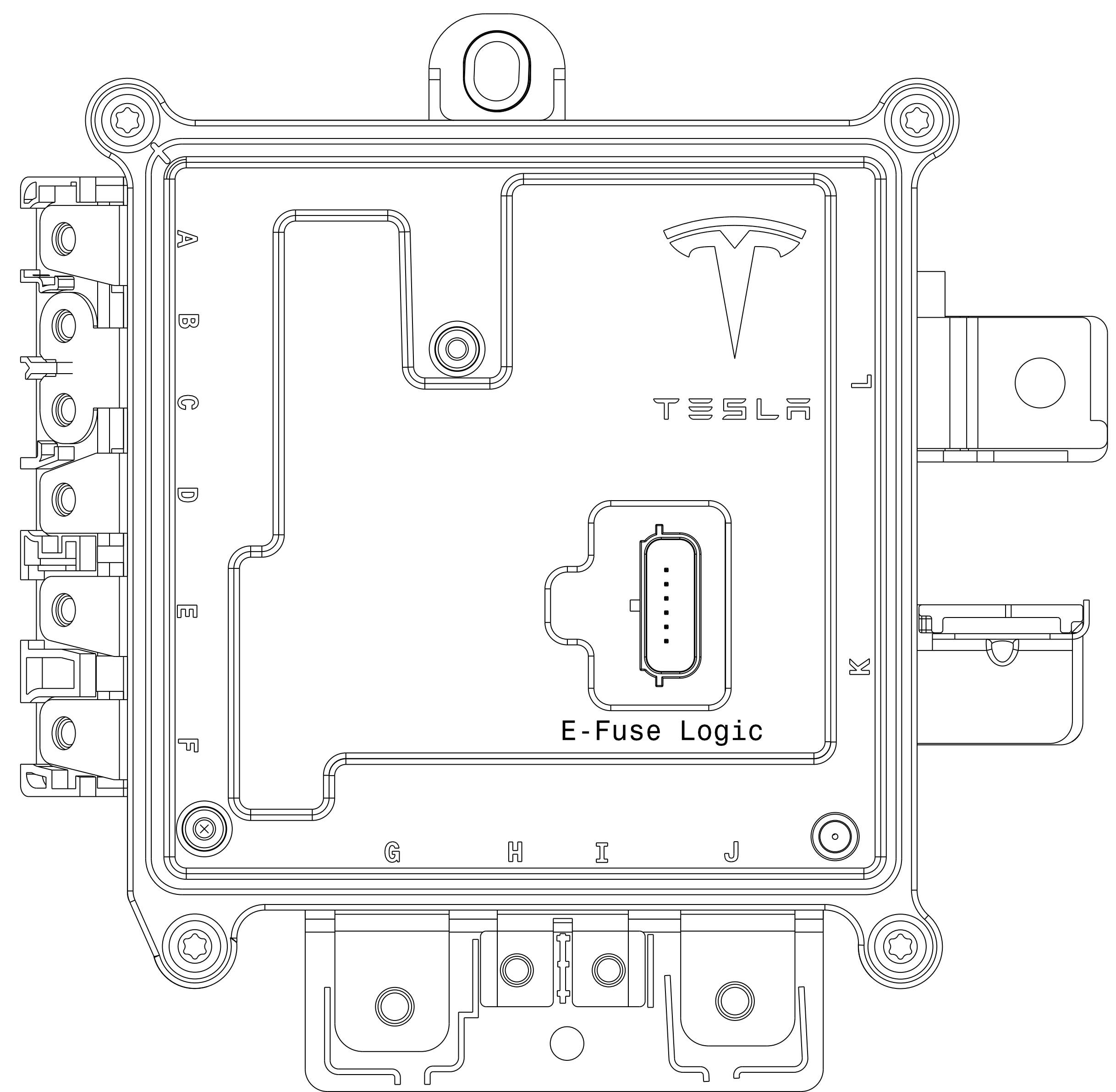
Condenser Fan (MS and MX)

Condenser Fan (MS only)

EPAS Primary

ABS Motor

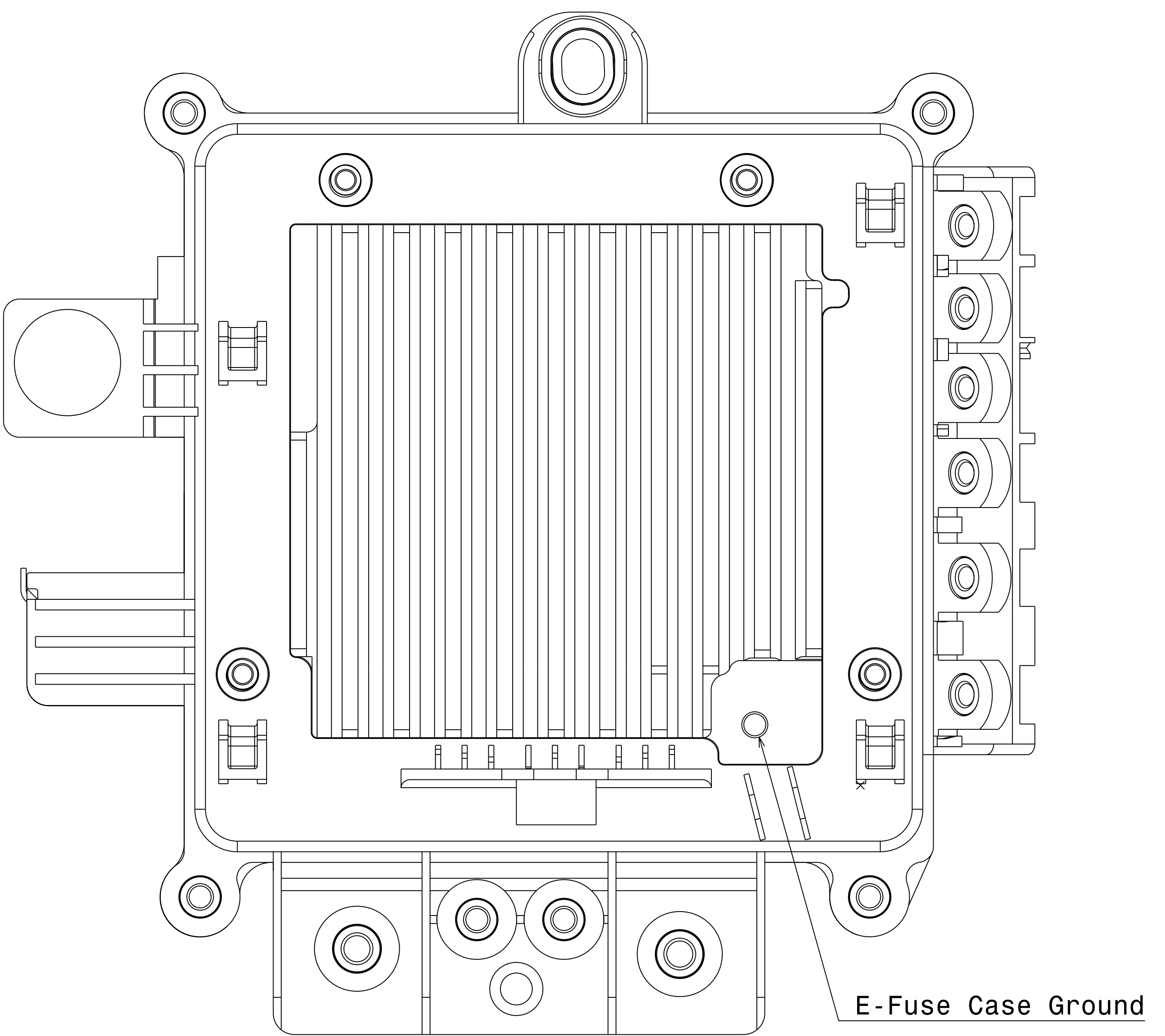
iBooster



12V Batt+

DCDC

Cabin BEC EPAS Secondary MX Aux Fusebox Frunk BEC



E-Fuse Case Ground

Designator	Label	Bolt	Torque (N-m)	Function
X013	L	M6	6	12V Batt +
X033	E	M5	4	ABS Motor
X034	A	M5	4	Air Suspension Compressor
X035	I	M5	5	MX Aux Fusebox
X036	G	M6	5	Cabin BEC
X037	B	M5	4	Condenser Fan
X038	K	M6	6	DCDC
X039	D	M5	4	EPAS Primary
X039A	I	M5	5	EPAS Secondary
X040	J	M6	5	Frunk BEC
X041	F	M5	4	iBooster
GND_EFUSE		M5	4	E-Fuse Case Ground

NAME		DATE	INTERPRET DIMENSIONS AND TOLERANCES PER ISO 1101, 128, 129	
DRAWN BY	AS SPECIFIED	AS SPECIFIED		
TESLA				
<small>THE INFORMATION CONTAINED HEREIN IS DEEMED TO BE CONFIDENTIAL, PROPRIETARY, AND A TRADE SECRET OF TESLA MOTORS. THIS INFORMATION MAY NOT BE USED, REPRODUCED, OR DISCLOSED AS THE DIRECT OR INDIRECT BASIS FOR THE DEVELOPMENT, MANUFACTURE, OR SALE OF PROCESSES OR PRODUCTS WITHOUT THE EXPRESSED WRITTEN CONSENT OF TESLA MOTORS.</small>				
MATERIAL AS SPECIFIED			EST. WEIGHT (g): TBD	
FINISH AS SPECIFIED			SCALE NONE	SHEET SIZE B
THIRD ANGLE PROJECTION		DIMENSIONS ARE IN MILLIMETERS TOLERANCES: ANGULAR ±0.5° OTHER: See above		
ITEM NAME Model X E-Fuse – SOP1				
ITEM NUMBER AS SPECIFIED			REVISION 01	SHEET 1 of 1

1

2

3

4

5

6

7

8