



Installation of Updated Defrost Grille, Europe

Classification	Repair Bulletin	Section/Group	14 - Instrument Panel & Pedals	Country/Region	Europe
Year	2013	Model	Model S	Version	All

Bulletin Classification: This repair bulletin provides instructions and guidelines for a noted condition or a customer concern. The information provided can address a broad range of known or perceived issues with the operation of Tesla vehicles. This bulletin might not be VIN-specific. These instructions assume knowledge of motor vehicle and high voltage electrical component repairs, and should only be executed by trained professionals. Tesla Motors assumes no liability for injury or property damage due to a failure to properly follow these instructions or repairs attempted by unqualified individuals.

This Service Bulletin supersedes SB-13-14-004 R1, dated 22-Jan-2014. Each content change is marked by a vertical line in the left margin. Discard the previous version and replace it with this one.

Condition

Some vehicles were shipped to Europe with the standard version of the defrost mesh grille. Although this grille promptly defrosts the windshield and is in full compliance with ECE requirements, the updated grille improves windshield clearing performance in the edges near the LH and RH A-Pillars.

Correction

Upon customer complaint, replace the defrost mesh grille with the updated part (Figure 1).

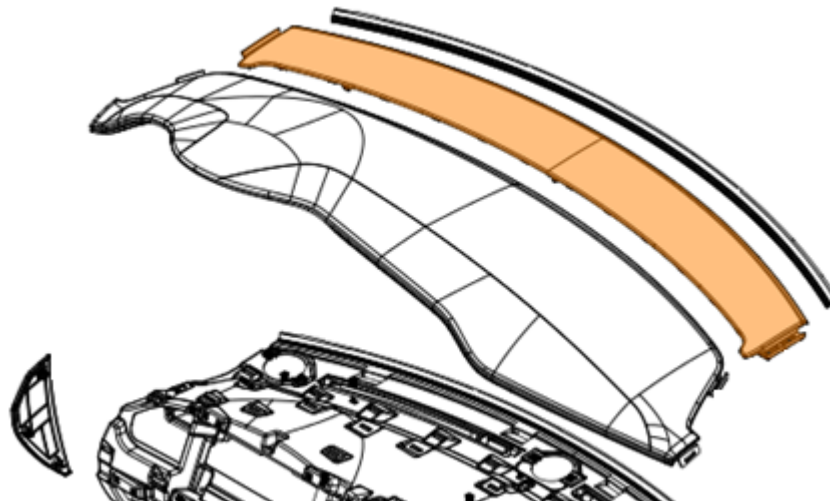


Figure 1

Required Part(s):	Part Number	Description	Quantity
	1023272-00-A	DEFROSTER BEZEL OUTLET LH	1
	1023273-00-A	DEFROSTER BEZEL OUTLET RH	1
	1023274-00-A	DEFROSTER BEZEL BRIDGE	6
	1009344-00-A	SCR PT TRX WSHR M4X1.46-12 ZNBLUE	6
	1023745-00-A	LASER CUT MESH GRILLE DEFROST	1
	1007167-00-B	SEAL MESH DEFROST	2

These part numbers were current at the time of publication. Use the revisions listed or later, unless otherwise specified in the Parts Manual.

Correction Description	Correction	Time
Vehicle Inspection, Parts Already Upgraded	S011314004	0.1
Replace Defrost Mesh Grille	S021314004	1.8

Procedure

1. Inspect the defrost mesh grille that is inside the vehicle. If the grille has vents that direct air toward the A-Pillars (Figure 2), then the new grille is already installed and no more work is needed.

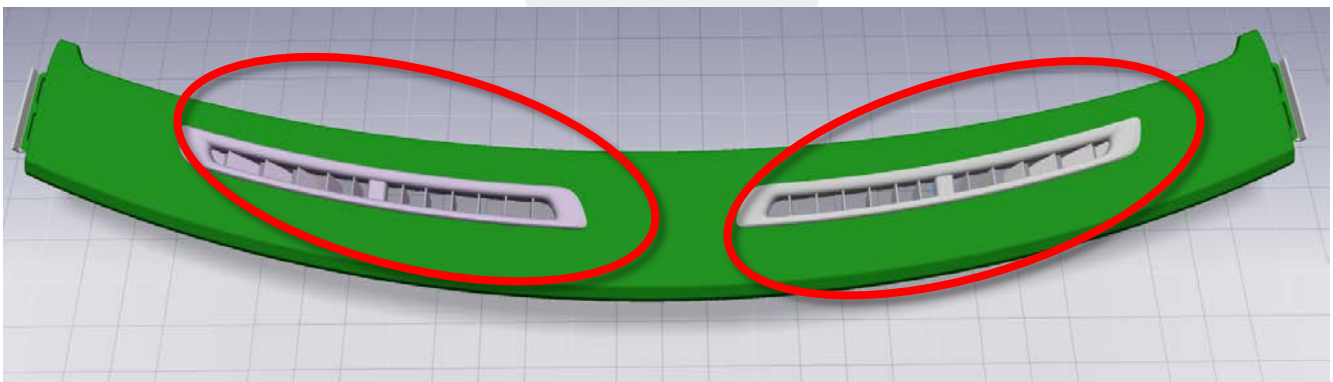


Figure 2

2. Place a fender cover, towel, or other soft material on a workbench.
3. Position the new grille upside down onto the workbench.

4. Inspect the underside of the new defrost mesh grille. If the risers on each side of the 4 retaining clips are covered with foam tape, skip to the next step. If not, cover each of the 8 risers with foam tape (Figures 3 and 4).



Figure 3

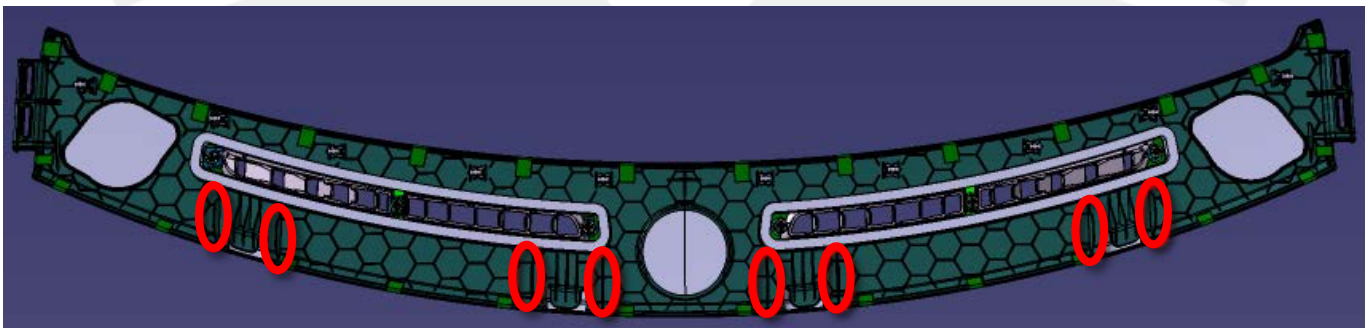


Figure 4

5. Turn the grille over so that the top side faces up.
6. Insert the RH bezel into the RH cutout of the grille (Figure 5).



Figure 5

7. While holding the bezel in place, turn the grille over so that it is upside down with the metal trim clips facing forward.

8. Position a bezel bridge over the hole on the inboard side of the bezel. Screw the bezel bridge into the bezel (torque 2 Nm).

NOTE: It might be necessary to angle the bezel bridge in order to make it fit securely (Figure 6).



Figure 6

9. Repeat step 8 for the holes in the center and outboard size of the bezel.
10. Ensure that the bezel is seated firmly in the new grille.
11. Remove the adhesive backing from one of the foam seals. Secure the seal around the cutout in the grille (Figure 7). Ensure that the seal covers the edges of the bezel bridges (Figure 8).

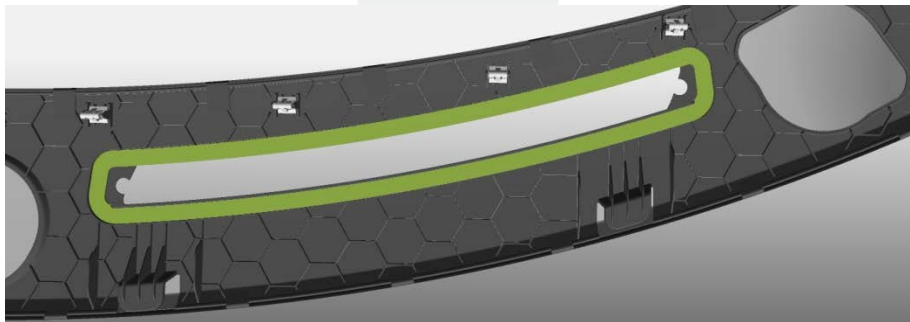


Figure 7 (Shown with bezel and spacers removed for clarity)

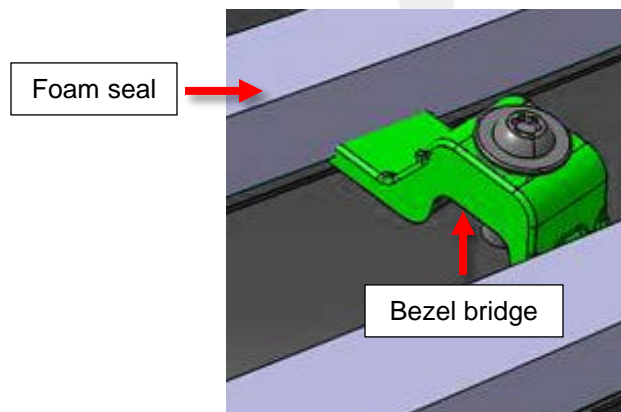


Figure 8 (Shown with bezel removed for clarity)

12. Repeat steps 5–11 for the LH bezel.

NOTE: The new defrost grille is now fully assembled.

13. Remove the old defrost grille from the vehicle (refer to the “Remove” section of Service Manual procedure 14054702).

14. Install the new defrost grille (refer to the “Installation” section of Service Manual procedure 14054702).

NOTE: Ensure that the passenger airbag is properly reconnected when reinstalling the top pad (refer to the “Installation” section of Service Manual procedure 14054801).

Affected VIN(s) This information is for reference purposes only. This list is not intended to be the sole information source for updates.

5YJSA2DN7DFP13878	5YJSA2CN8DFP15057	5YJSA2DP6DFS14345
5YJSA2CP2DFP14150	5YJSA2CNXDFP15058	5YJSA2DPXDFS14347
5YJSA2DP5DFP14321	5YJSA2CG8DFP15061	5YJSA2DN3DFS14351
5YJSA2DN4DFP14342	5YJSA2DP2DFP15071	5YJSA2DP6DFS14751
5YJSA2DP3DFP14348	5YJSA2DN8DFP15073	5YJSA2DPXDFS14753
5YJSA2DP0DFP14548	5YJSA2CNXDFP15075	5YJSA2DP1DFS14754
5YJSA2DN9DFP14868	5YJSA2CN0DFP15084	5YJSA2DP9DFS14758
5YJSA2DPXDFP14959	5YJSA2CN8DFP15091	5YJSA2DP0DFS14762
5YJSA2CP0DFP14969	5YJSA2DPXDFP15108	5YJSA2DP8DFS14766
5YJSA2CN8DFP14975	5YJSA2DN0DFP15116	5YJSA2DPXDFS14767
5YJSA2CN3DFP14978	5YJSA2CP0DFP15118	5YJSA2DP9DFS14887
5YJSA2CN0DFP14985	5YJSA2CP8DFP15125	5YJSA2DP9DFS14906
5YJSA2CN1DFP15000	5YJSA2DP5DFP15131	5YJSA2DN4DFS14908
5YJSA2CN0DFP15005	5YJSA2DN1DFP15142	5YJSA2DN6DFS14909
5YJSA2CN2DFP15006	5YJSA2DN6DFS13047	5YJSA2DN8DFS14913
5YJSA2DP5DFP15016	5YJSA2DP6DFS13048	5YJSA2DP8DFS14931
5YJSA2CN9DFP15018	5YJSA2DNXDFS14170	5YJSA2DP7DFS14936
5YJSA2CN4DFP15024	5YJSA2DP3DFS14190	5YJSA2DP8DFS14945
5YJSA2CN3DFP15032	5YJSA2DPXDFS14199	5YJSA2DP9DFS14954
5YJSA2CP5DFP15034	5YJSA2DP8DFS14203	5YJSA2DNXDFS14962
5YJSA2DP0DFP15036	5YJSA2DP5DFS14207	5YJSA2DP5DFS15003
5YJSA2DN4DFP15037	5YJSA2DP6DFS14216	5YJSA2DP8DFS15044
5YJSA2CP2DFP15038	5YJSA2DP5DFS14224	5YJSA2DP0DFS15054
5YJSA2CP2DFP15041	5YJSA2DP5DFS14255	5YJSA2DP9DFS15120
5YJSA2DN3DFP15045	5YJSA2DN1DFS14283	5YJSA2DP8DFS15139
5YJSA2CN6DFP15056	5YJSA2DPXDFS14316	

For feedback on the accuracy of this document, email ServiceBulletinFeedback@teslamotors.com.