



# Liftgate Trough Trim Upgrade

<b>Classification</b>	Repair Bulletin	<b>Section/Group</b>	15 - Interior Trim	<b>Country/Region</b>	United States and Canada
<b>Year</b>	2012	<b>Model</b>	Model S	<b>Version</b>	All

**Bulletin Classification:** This repair bulletin provides instructions and guidelines for a noted condition or a customer concern. The information provided can address a broad range of known or perceived issues with the operation of Tesla vehicles. This bulletin might not be VIN-specific. These instructions assume knowledge of motor vehicle and high voltage electrical component repairs, and should only be executed by trained professionals. Tesla Motors assumes no liability for injury or property damage due to a failure to properly follow these instructions or repairs attempted by unqualified individuals.

This Service Bulletin supersedes SB-13-15-001, dated 15-Jan-13. Each content change is marked by a vertical line in the left margin. Discard the previous version and replace it with this one.

## Condition

Higher quality liftgate trough trim panels are now available. The new panels fit better and have a grained finish to provide a more aesthetically pleasing appearance.

## Correction

Upon complaint, replace the LH and RH liftgate trough trim panels with higher quality parts (Figure 1).

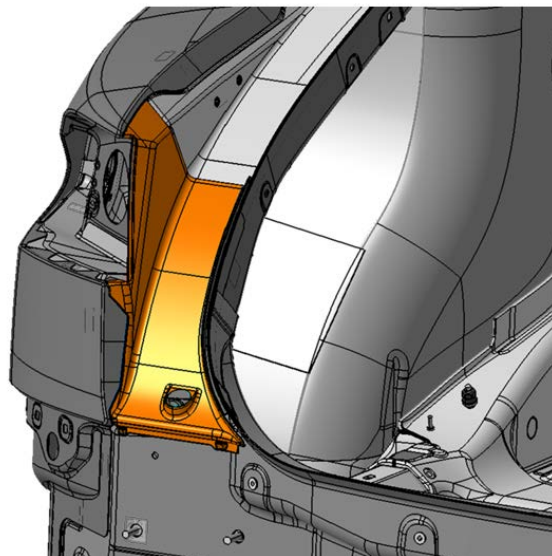


Figure 1 (LH side shown)

Required Part(s):	Part Number	Description	Quantity
	1021437-00-A	TROUGH TRIM ASY, LH	1
	1021438-00-A	TROUGH TRIM ASY, RH	1

These part numbers were current at the time of publication. Use the revisions listed or later, unless otherwise specified in the Parts Manual.

Correction Description	Correction	Time
Vehicle Inspection Only; Updated Liftgate Trough Trim Panels Not Required	S011315001	0.10
Install Updated LH and RH Liftgate Trough Trim Panels	S021315001	0.30
SB-13-15-001 Not Applicable	S031315001	0.00

## Procedure

1. Unscrew the caps that secure the liftgate trough trim panels to the body (Figure 2).



Figure 2 (LH side shown)

2. Grasp the liftgate trough trim panels and remove them by pulling them towards the inside of the vehicle (Figure 3).

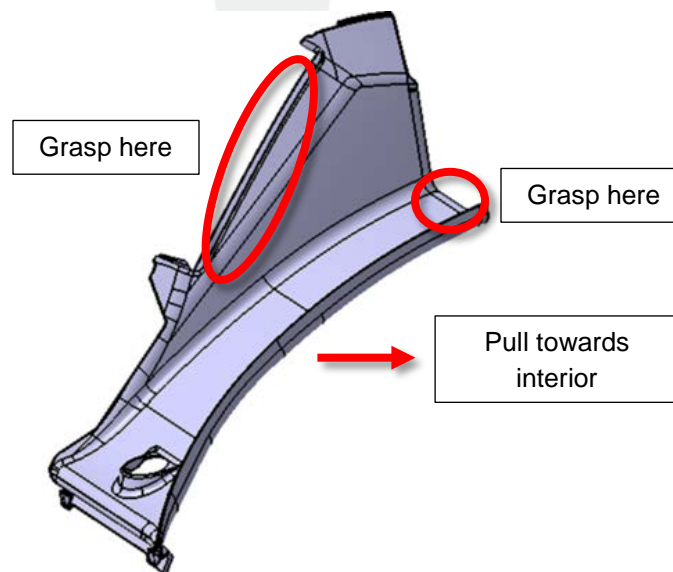


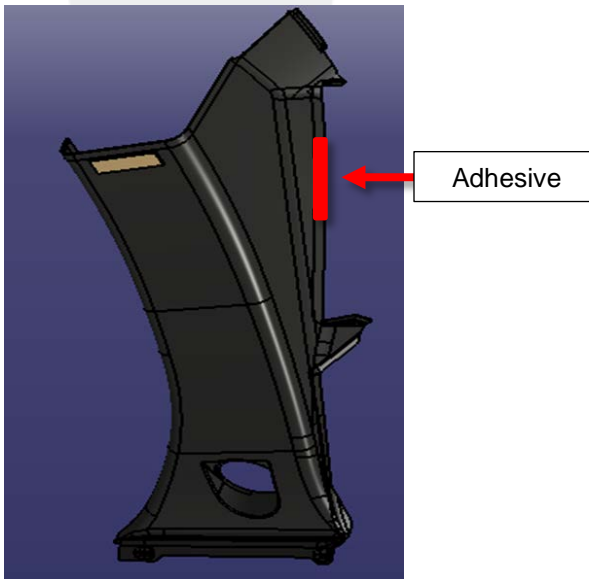
Figure 3 (LH side shown)

3. Use an alcohol wipe to remove any residual adhesive from the body (Figure 4).



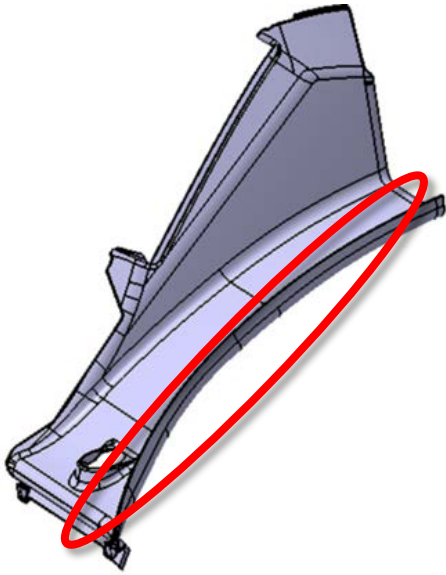
**Figure 4 (LH side shown)**

4. Remove the backing from the adhesive on the new liftgate trough trim panels (Figure 5).

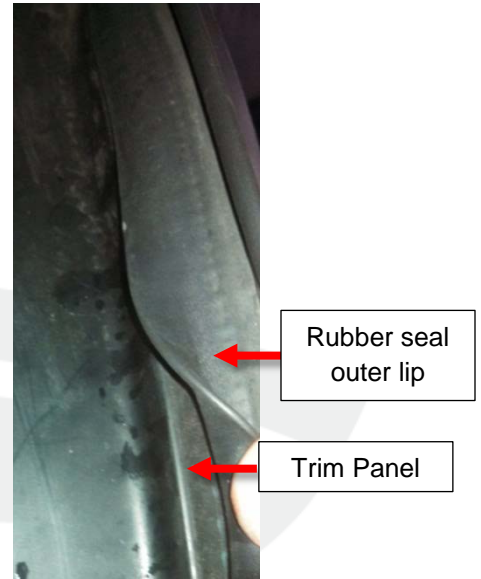


**Figure 5 (LH side shown)**

5. Install the new liftgate trough trim panels. Ensure that the inner edges of the new trim panels (Figure 6) are secured under the outer lip of the liftgate rubber seal (Figure 7).

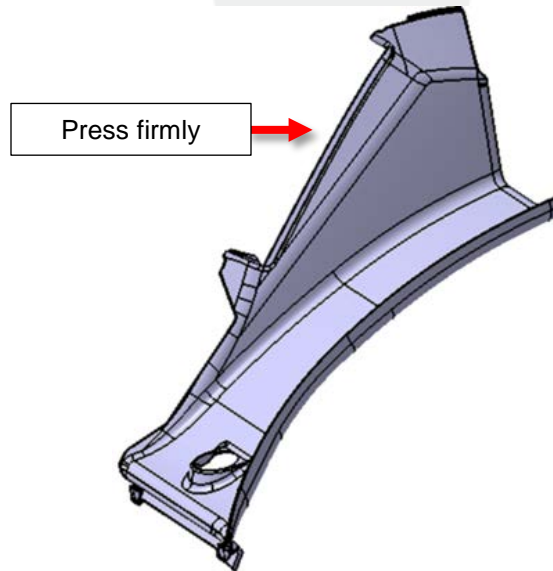


**Figure 6 (LH side shown)**



**Figure 7 (LH side shown)**

6. Press firmly to ensure that the adhesive seals properly (Figure 8).



**Figure 8 (LH side shown)**

7. Reinstall the original caps that secure the trim panels to the body.
8. Close and open the liftgate to ensure proper sealing and operation.

---

**Affected VIN(s)** This information is for reference purposes only. This list is not intended to be the sole information source for updates.

5YJSA1DP8CFF00001 - 5YJSA1DP0CFF00042  
5YJSA1DP6CFP01201 - 5YJSA1CN1CFP01994  
5YJSA1AP7CFR00102 - 5YJSA1AP9CFR00117  
5YJSA1DP2CFS00001 - 5YJSA1DP0CFS01096  
5YJSA1DPXCFS02000 - 5YJSA1DN5CFS02100

For feedback on the accuracy of this document, email [ServiceBulletinFeedback@teslamotors.com](mailto:ServiceBulletinFeedback@teslamotors.com).

