



## C-Pillar Lower Trim Panel Upgrade

<b>Classification</b>	Parts and Accessories Bulletin	<b>Section/Group</b>	15 – Interior Trim	<b>Country/Region</b>	North America
<b>Year</b>	2012	<b>Model</b>	Model S	<b>Version</b>	All

**Bulletin Classification:** *This bulletin provides instructions and guidelines for a vehicle procedure that is not the result of a defect. This bulletin might not be VIN-specific. These instructions assume knowledge of motor vehicle and high voltage electrical component repairs, and should only be executed by trained professionals. Tesla Motors assumes no liability for injury or property damage due to a failure to properly follow these instructions or repairs attempted by unqualified individuals.*

*This Service Bulletin supersedes SB-13-15-003 R1, dated 19-Sep-13. Each content change is marked by a vertical line in the left margin. Discard the previous version and replace it with this one.*

### Condition

Upgraded C-pillar lower trim panels with a grained finish are now available.

### Correction

Upon customer complaint, replace the LH and RH C-pillar lower trim panels and C-pillar middle trim panels with updated parts. If necessary, replace the 2<sup>nd</sup> row seat belts with updated parts for compatibility. See SB-13-20-002, Rear Seat Belt Update.

Required Part(s):	Part Number	Description	Quantity
	1024730-00-A	ASY C-PILLAR MIDDLE LH	1
	1024732-00-A	ASY C-PILLAR MIDDLE RH	1
	1006521-00-A	RVT PUSH-PULL 8X18X20.0	4
<b>If necessary:</b>			
	1014969-00-A	TRIM CLIP, TRW 1030063840	As needed
	1016824-00-A	SEAT BACK GROMMET – LARGE	As needed
<b>Choose the assembly with the correct finish package:</b>			
	1002534-00-F	ASY C-PILLAR TRIM LWR LH PUR BLK	1
	1008334-00-F	ASY C-PILLAR TRIM LWR RH PUR BLK	1
	1002534-02-F	ASY C-PILLAR TRIM LWR LH LTHR BLK	1
	1008334-02-F	ASY C-PILLAR TRIM LWR RH LTHR BLK	1
	1002534-03-F	ASY C-PILLAR TRIM LWR LH LTHR TAN	1
	1008334-03-F	ASY C-PILLAR TRIM LWR RH LTHR TAN	1
	1002534-04-F	ASY C-PILLAR TRIM LWR LH LTHR WHT	1
	1008334-04-F	ASY C-PILLAR TRIM LWR RH LTHR WHT	1
	1002534-05-F	ASY C-PILLAR TRIM LWR LH LTHR GREY	1
	1008334-05-F	ASY C-PILLAR TRIM LWR RH LTHR GREY	1
	1002534-06-F	ASY C-PILLAR TRIM LWR LH PUR TAN	1
	1008334-06-F	ASY C-PILLAR TRIM LWR RH PUR TAN	1
	1002534-07-F	ASY C-PILLAR TRIM LWR LH PUR GREY	1
	1008334-07-F	ASY C-PILLAR TRIM LWR RH PUR GREY	1

These part numbers were current at the time of publication. Use the revision listed or later, unless otherwise specified in the Parts Manual.

Correction Description	Correction	Time
Vehicle Inspection Only, C-Pillar Lower Trim Panel Upgrade Not Required	S011315003	0.0
Obsolete Code – Do Not Use	S021315003	–
Replace LH and RH C-Pillar Lower and C-Pillar Middle Trim Panels	S031315003	0.9
Replace LH and RH C-Pillar Lower and C-Pillar Middle Trim Panels; Install Updated 2 <sup>nd</sup> Row Seatbelts, LH and RH	S041315003	3.1

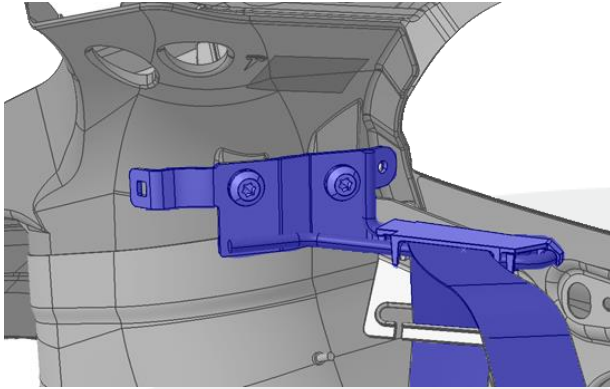
## Procedure

**NOTE:** The current revision of the C-pillar lower trim panel is not compatible with the C-pillar middle trim panels and 2<sup>nd</sup> row seat belts that were originally installed on the affected vehicles. The LH and RH C-pillar middle trim panels need to be replaced for compatibility. Additionally, the 2<sup>nd</sup> row seat belts need to be replaced if they have not already been updated to the current design. Refer to Tech Note TN-13-15-001, “C-Pillar Lower/Middle Trim Panels and 2<sup>nd</sup> Row Seat Belt” for more information.

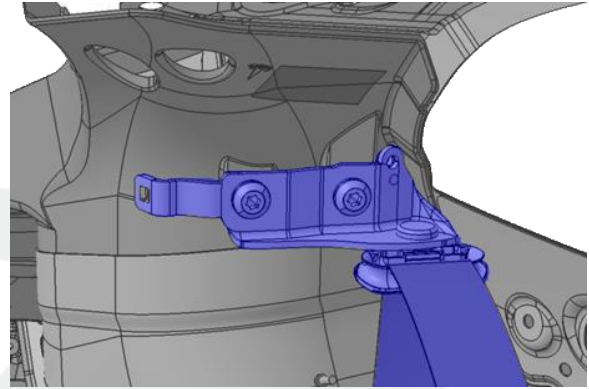
1. Remove the LH C-pillar lower trim panel (refer to Service Manual procedure 15184802).

2. Inspect the 2<sup>nd</sup> row seat belt. If the 2<sup>nd</sup> row seat belt is the old design (Figure 1), replace the seat belt with the updated part (Figure 2) (refer to Service Bulletin SB-13-20-002).

**⚠ CAUTION:** The bolt that secures the seat belt reel to the body might be very difficult to remove. Refer to Service Manual procedure 20051002 for important information about removing this bolt.

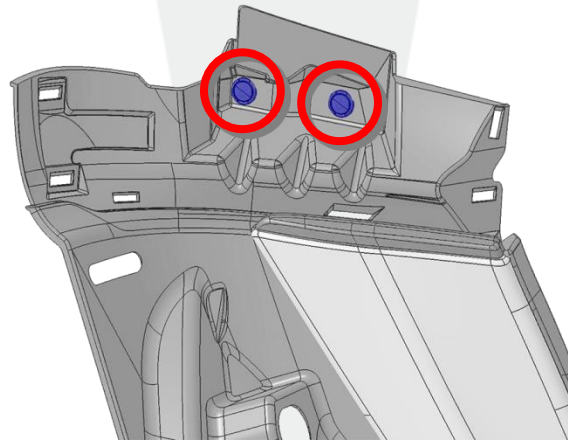


**Figure 1 (Old seat belt with long fixed D-ring)**



**Figure 2 (New seat belt with swiveling D-ring)**

3. Install the updated C-pillar lower trim panel.
4. Insert 2 push-pull rivets at the top of the C-pillar lower trim panel (Figure 3).



**Figure 3**

5. Install the updated C-pillar middle trim panel.
6. Repeat the procedure on the RH side.

**Affected VIN(s)** This information is for reference purposes only. This list is not intended to be the sole information source for updates.

5YJSA1DP8CFF00001 - 5YJSA1DP0CFF00042  
5YJSA1DP6CFP01201 - 5YJSA1DP5CFP01206  
5YJSA1AP7CFR00102 - 5YJSA1AP9CFR00117

For feedback on the accuracy of this document, email [ServiceBulletinFeedback@teslamotors.com](mailto:ServiceBulletinFeedback@teslamotors.com).