



# 1<sup>st</sup> Generation Premium Center Console Installation

<b>Classification</b>	Parts and Accessories Bulletin	<b>Section/Group</b>	15 - Interior Trim	<b>Country/Region</b>	All
<b>Year</b>	2012-2016	<b>Model</b>	Model S	<b>Version</b>	All

**Bulletin Classification:** This bulletin provides instructions and guidelines for a vehicle procedure that is not the result of a defect. This bulletin might not be VIN-specific. These instructions assume knowledge of motor vehicle and high voltage electrical component repairs, and should only be executed by trained professionals. Tesla Motors assumes no liability for injury or property damage due to a failure to properly follow these instructions or repairs attempted by unqualified individuals.

This Service Bulletin supersedes SB-13-15-014 R3, dated 18-Jul-2014. Each content change is marked by a vertical line in the left margin. Discard the previous version and replace it with this one.

The 1<sup>st</sup> generation premium center console (Figure 1) is available in the Piano Black finish package and can be configured to include either an Apple Lightning Connector (as used on the iPhone 5 and later) or micro USB charging adaptor.

**NOTE:** Refer to SB-16-15-001 for instructions on how to retrofit the 2<sup>nd</sup> generation premium center console.



Figure 1

Correction Description	Correction	Time
Install Premium Center Console	S011315014	0.45
Install Premium Center Console, Install Phone Adaptor Kit	S021315014	0.55
Install Premium Center Console, Assemble 4 Movable Dividers	S031315014	0.5
Install Premium Center Console, Assemble 4 Movable Dividers, Install Phone Adaptor Kit	S041315014	0.6
SB-13-15-014 Not Applicable	S051315014	0.0

Required Part(s):	Part Number	Description	Quantity
	1032316-02-B	ASSEMBLY, DROP IN CONSOLE, PIANO BLACK	1
	1020856-00-A	A-PILLAR UPPER STANDOFF, FOAM NEOPRENE	2
	<b>If necessary, choose the correct variation:</b>		
	1033417-00-A	DOCK CONNECTOR KIT, APPLE LIGHTNING	1
	1033417-02-A	DOCK CONNECTOR KIT, MICRO USB	1

**Shop supplies:**  
Painter's tape

These part numbers were current at the time of publication. Use the revisions listed or later, unless otherwise specified in the Parts Manual.

## Pre-Install Quality Checks

**NOTE:** If the part fails any of the following quality checks and does not respond to moderate adjustment, return it through the normal MRB process.

- Open and close the rotating door 2 times (Figures 2 and 3). Verify that:
  - The outer edges of the door do not scrape against the inner flocked wall of the console.
  - The forward edge of the door does not scrape against the top cross bar.
  - The latch mechanism consistently requires only one push to secure and one to release.

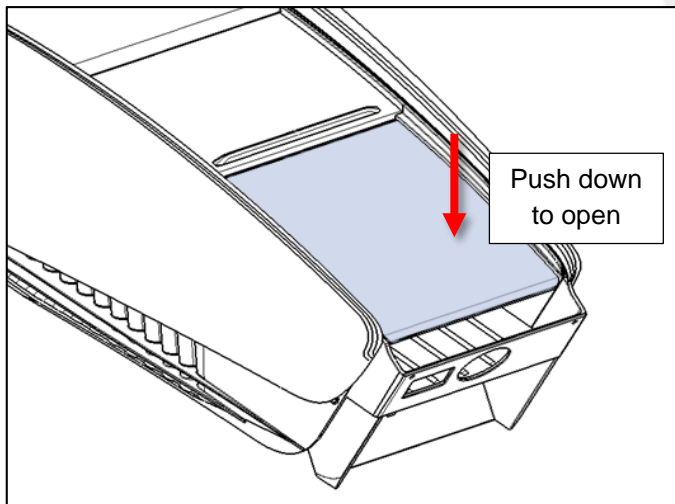


Figure 2

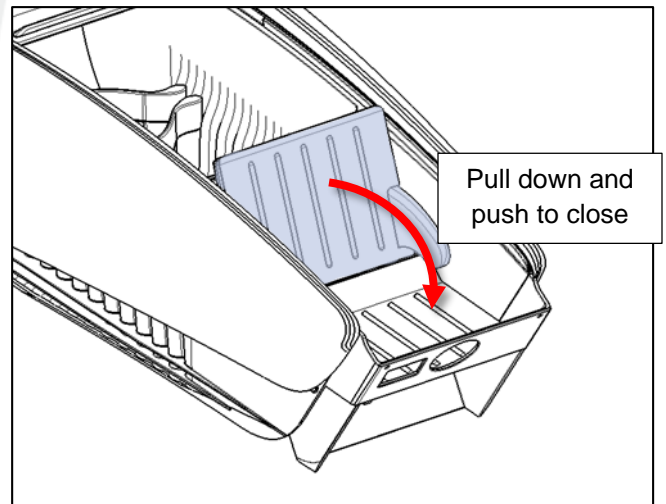
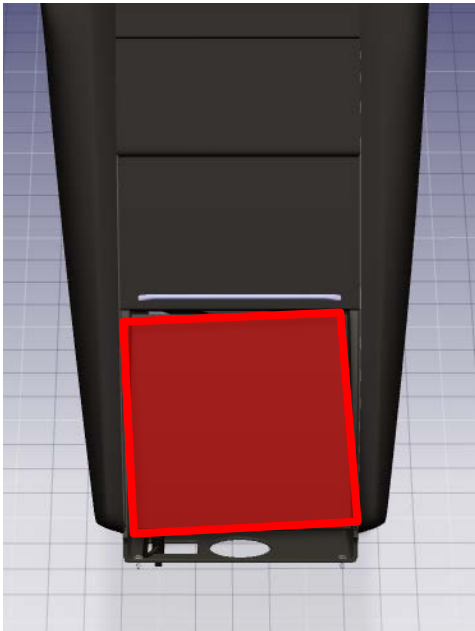
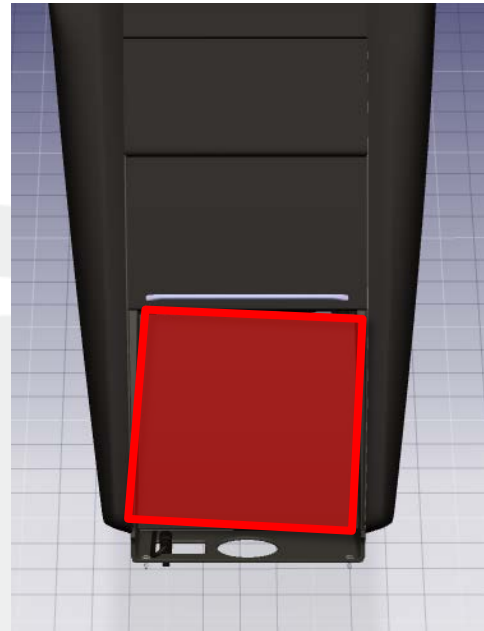


Figure 3

2. If the rotating door opens and closes smoothly, continue to step 3. If it does not open and close smoothly, perform the following sub-steps:
- a. Check to see if the door is set at an angle (Figures 4 and 5).

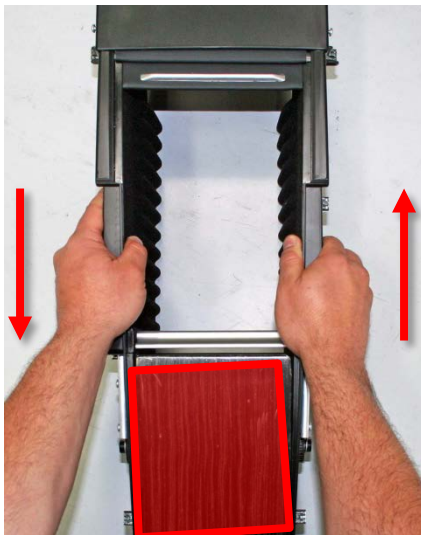


**Figure 4 (Top view, door angled left)**

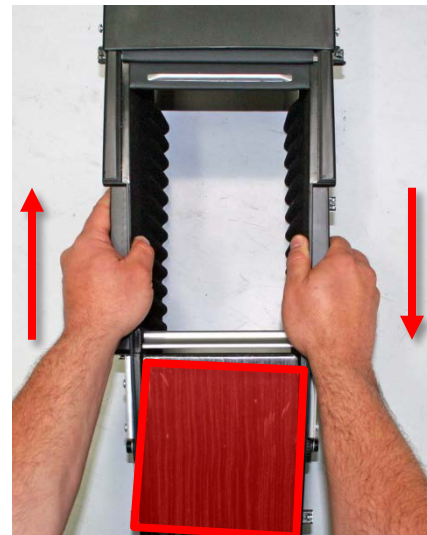


**Figure 5 (Top view, door angled right)**

- b. Grip the upper edges of the console and gently push/pull the edges in the same direction the door is angled (Figures 6 and 7).



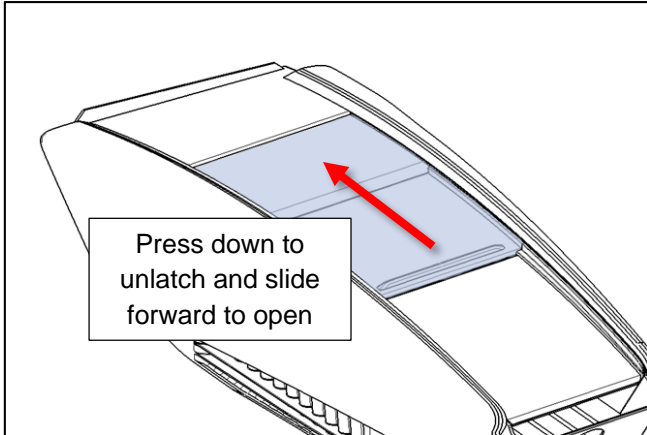
**Figure 6 (Top view, door angled left)**



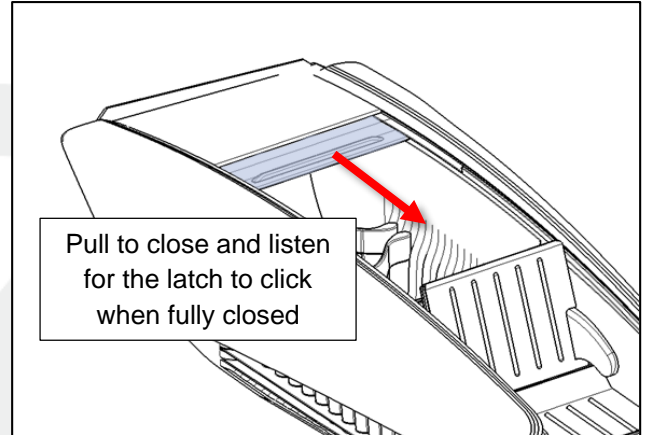
**Figure 7 (Top view, door angled right)**

- c. Verify the door opens and closes smoothly.

3. Open and close the sliding door 2 times (Figures 8 and 9). Verify that:
  - The door unlatches easily by pressing down on the silver handle and then opens easily by sliding the door forward.
  - The door slides smoothly along the entire length of the track.
  - The door latches easily by pulling it closed. No pressing is necessary to close or latch the door.
  - The door clicks when latched.



**Figure 8**



**Figure 9**

## Installing the Premium Center Console

1. Move the front seats to their rearmost positions to allow for additional access.
2. Tape the area in front of the cup holders with painter's tape (Figure 10).



**Figure 10**

3. Remove the wrapped panel trim piece from each side of the vehicle (refer to Service Manual procedure 15192002).

4. If a floor finisher is installed in the vehicle, remove the floor finisher and its mounting bracket (Figure 11).



**Figure 11 (Floor finisher mounting bracket)**

5. Remove the under-screen cubby.
6. Pull the CAN connector through the right side of the center console sub-assembly (Figure 12).



**Figure 12**

7. Reinstall the under-screen cubby.
8. Re-install the floor finisher without the retaining bracket, pushing the floor finisher as far forward in the center console carrier as it will go.

9. Push the CAN connector back through the center console sub-assembly until only the electrical connector is visible (Figure 13).



**Figure 13**

10. Align the mounting bracket to the edges of the center console carrier and flush against the under-screen cubby and use a center punch to mark the drill holes (Figure 14).



**Figure 14**

11. Remove the mounting bracket and drill the holes with a 7/64 in (2.8 mm) bit.
12. Align the front mounting bracket over the drilled holes and secure it to the carrier using the button head Phillips screws.
13. Angle the front of the center console into the front of the carrier (Figure 15) and lower it down (Figure 16).

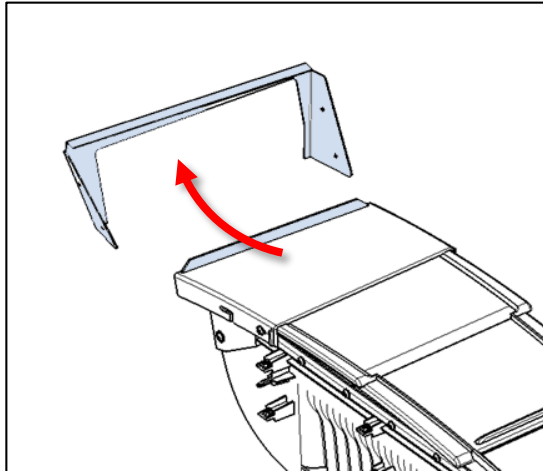


**Figure 15**

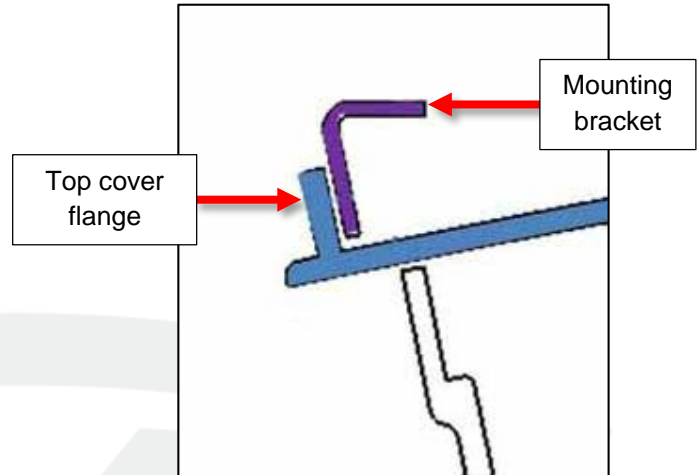


**Figure 16**

14. Verify the flange on the top cover is hooked behind the mounting bracket (Figures 17 and 18).

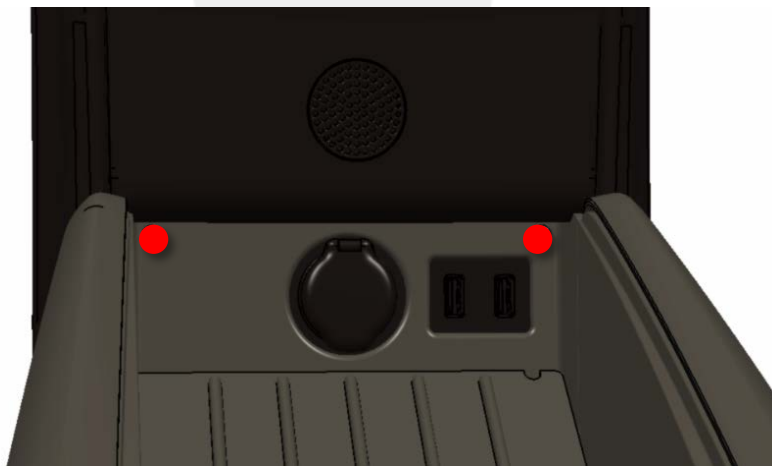


**Figure 17**



**Figure 18 (Cross section view)**

15. While holding the rear of the part flush to the 12V/USB panel, use a center punch to mark two drill holes through the rear upper face of the center console (Figure 19).



**Figure 19**

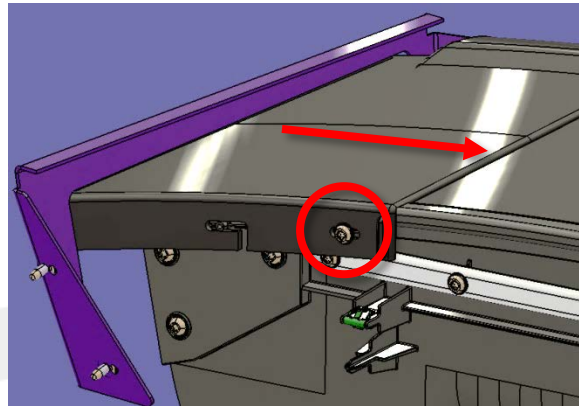
16. Drill the holes with a 1/16 in (1.5 mm) bit.

17. Secure the center console to the carrier using the flat head Phillips screws (Figure 20).



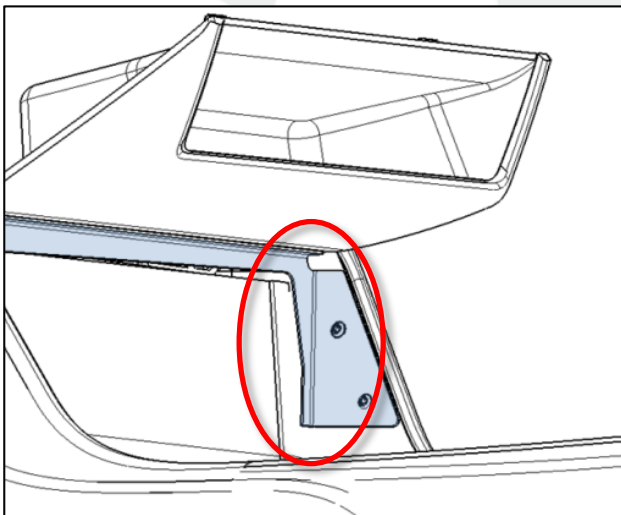
**Figure 20**

18. Grip the top cover by the sides and pull it back until the flange rests firmly against the mounting bracket. Hold the cover in place and tighten the retaining button head screws on both sides of the console (Figure 21).

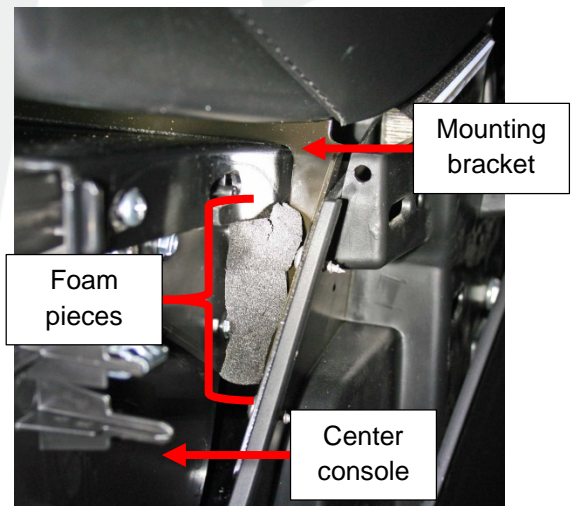


**Figure 21 (LH shown)**

19. Insert 2 pieces of neoprene foam between the right side of the center console and the mounting bracket (Figures 22 and 23). If needed, trim the foam at an angle to more easily insert the pieces.



**Figure 22 (Location of foam pieces, center console removed for visibility)**



**Figure 23**

20. Reinstall the 2 wrapped panel trim pieces



21. Secure the side panels onto the center console (Figure 24).

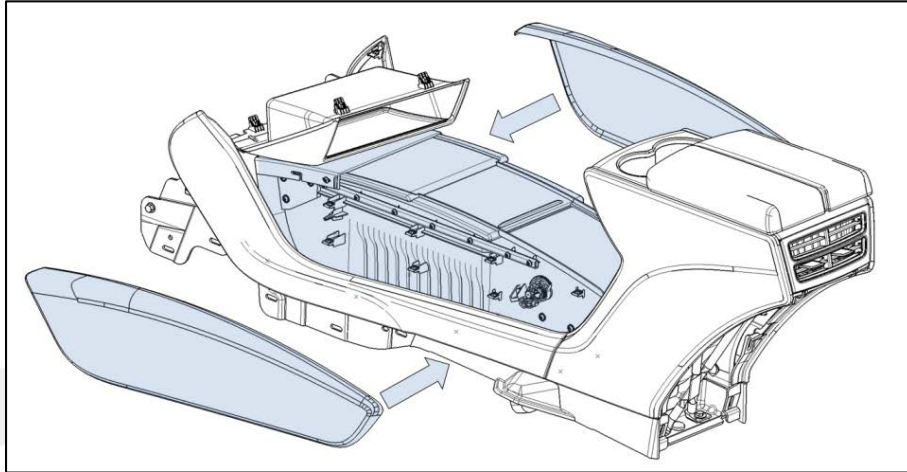


Figure 24

**NOTE:** When installing, align the slots on the side panels (Figure 25) with the tabs on the center console (Figure 26).

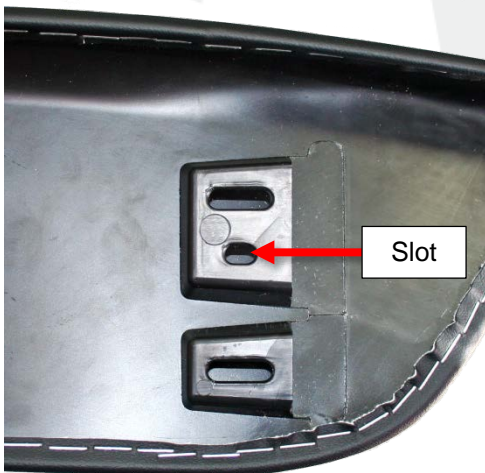


Figure 25

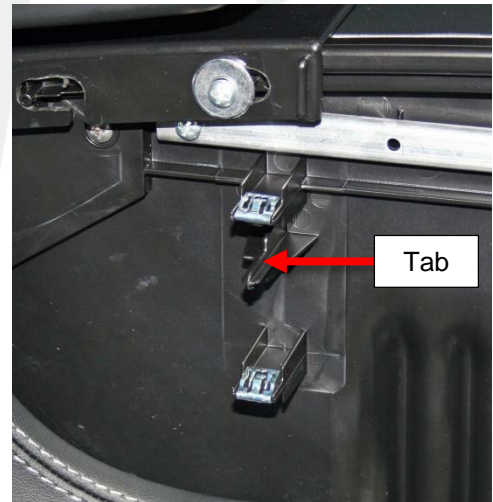


Figure 26

**NOTE:** Do not remove the foam inserts that are pre-installed on the side panels (Figure 27).

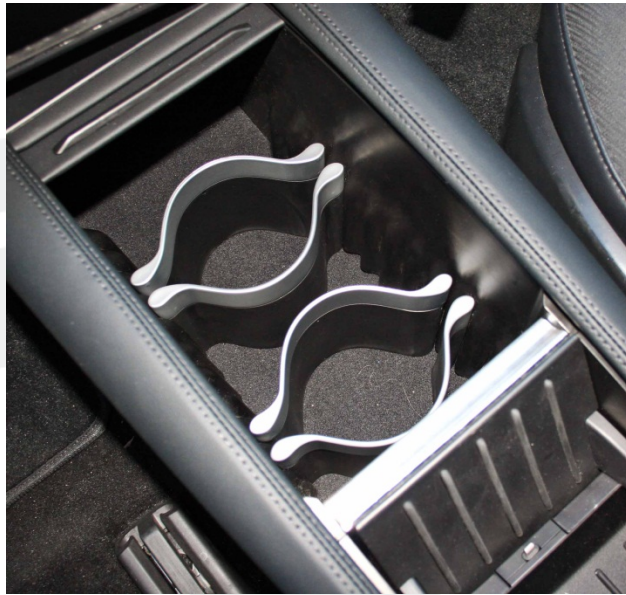


Figure 27

- Slide the 4 movable dividers into the console interior with the black base pointed down to form 2 cup holders (Figure 28).

**⚠ CAUTION:** Avoid damaging the flocking on the console interior.

**NOTE:** The dividers might be delivered disassembled within the console kit. If necessary, perform the steps in the following section to assemble them before installing them into the console.

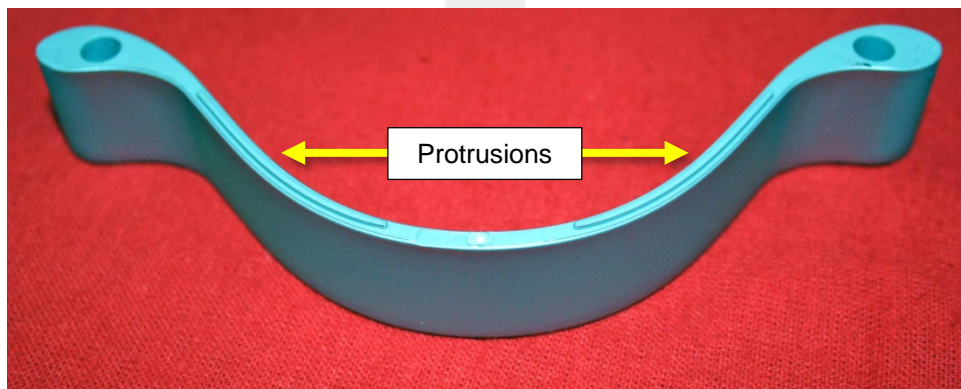


**Figure 28**

- Remove the painter's tape from the front of the cup holders.
- Return the seats to their normal positions.

## Assembling the Movable Dividers

- Place a fender cover, towel, or other soft material on a workbench to protect the parts from damage.
- Place the divider cap onto the protective surface so the edge with the protrusions faces up (Figure 29).



**Figure 29**

3. Set one pin into the hole at each end of the cap (Figure 30).

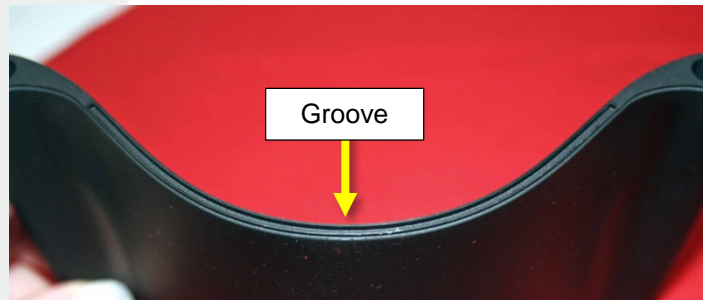


**Figure 30**

4. Turn the divider cap over so the pins point down. Press the cap down onto the workbench until the pins are fully seated in the holes.
5. Identify the side of the divider base that is both wider (Figure 31) and has a groove (Figure 32). Align the pins on the divider cap with the holes on this side of the base.

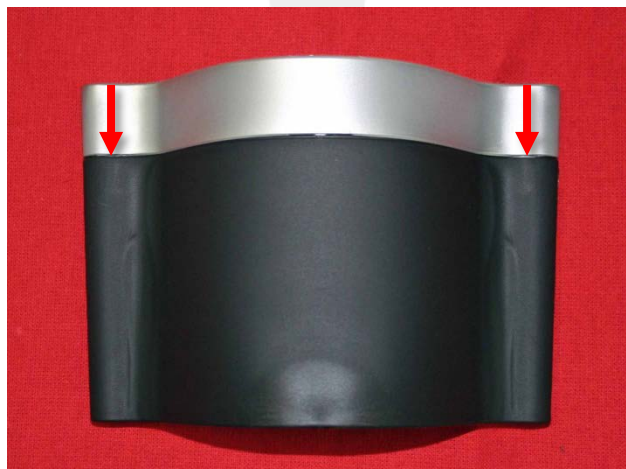


**Figure 31**



**Figure 32**

6. Push the pins into the holes on the divider base (Figure 33). As the two edges meet, make sure that the protrusions on the divider cap sit inside the groove on the base before pushing the parts completely together.



**Figure 33**

7. Verify the two parts sit flush with each other.

**NOTE:** A small gap in the center of the divider is normal (Figure 34).



**Figure 34**

8. Repeat the steps in this section to assemble 3 additional dividers.

## Testing the Door Functionality

1. Open and close the rotating door 10 times. Verify that:
    - The outer edges of the door do not scrape against the inner flocked wall of the console.
    - The forward edge of the door does not contact the top cross bar.
    - The latch mechanism consistently requires only one push to secure and one to release.
  2. If the rotating door does not open and close smoothly, loosen the rear screws a small amount at a time until the door moves freely. Do not loosen the screws so much that they sit up from the console.
  3. Open and close the sliding door 10 times. Verify that:
    - The door unlatches easily by pressing down on the silver handle and then sliding the lid forward.
    - The door slides smoothly along the entire length of the track.
    - The door latches easily by pulling it closed. No pressing is necessary to close or latch the door.
    - The door clicks when latched.
  4. Remove the plastic covering from the rotating door.
- NOTE:** Make sure to remove all remaining plastic that is caught between the top and bottom of the rotating door.
5. Clean the surface of the rotating door.

## Installing the Phone Adaptor Kit

When the customer orders a premium center console, they have the option to upgrade it with either an Apple Lightning connector or micro USB adaptor kit. If an adaptor kit is shipped with the center console, use the following instructions to install it into the dock.

**NOTE:** The figures in the following process show the installation of the Apple Lightning connector adaptor kit. The process for the micro USB kit is the same.

1. Use an angled tool to pull the dock mat up by the corner cable slot (Figure 35). Set the mat aside.

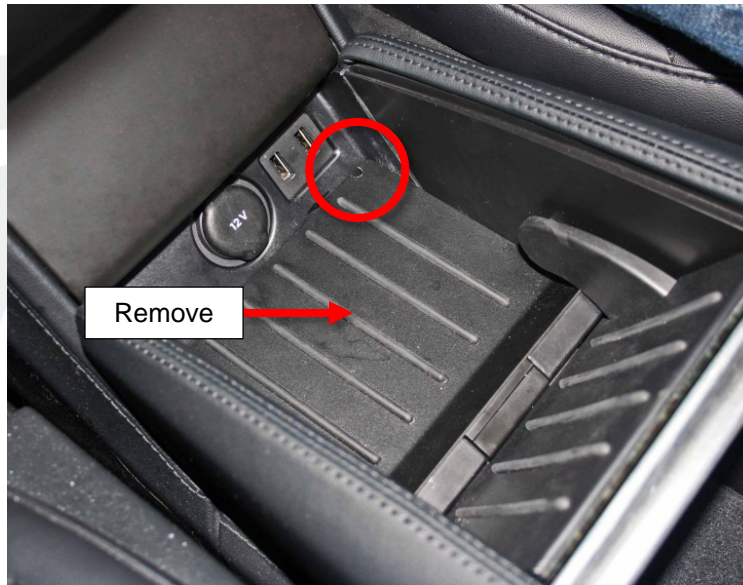


Figure 35

2. Use an allen wrench to remove the blank adaptor assembly from the screw base (Figure 36). Save the silver self-tapping screws for later use.

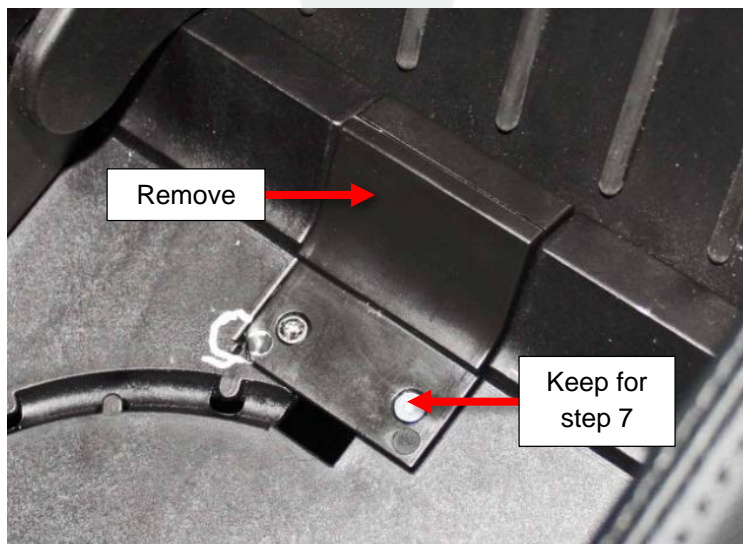
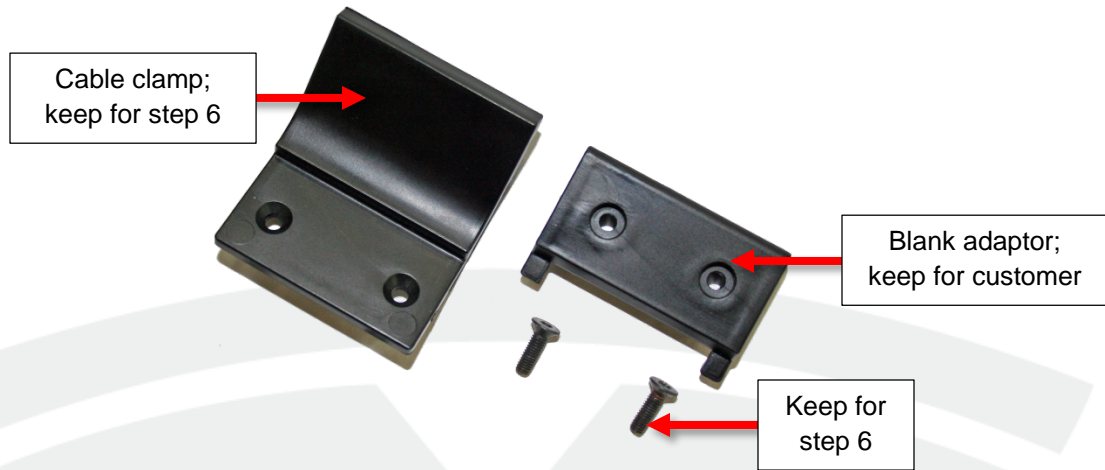


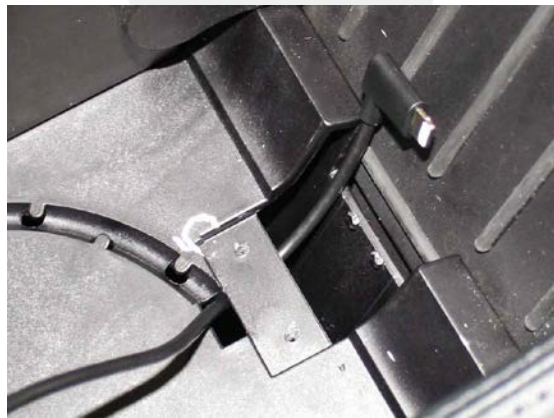
Figure 36

3. Separate the blank adaptor from the cable clamp (Figure 37). Save the clamp and black machine thread screws for later use. Set the blank adaptor aside to return to the customer.



**Figure 37 (Separated adaptor parts)**

4. Route the charge adaptor under the screw base (Figure 38).



**Figure 38**

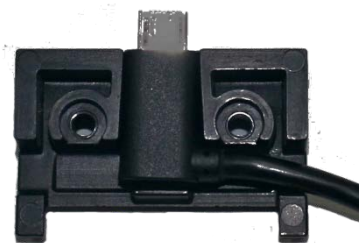
5. Set the charge adaptor from the kit into the accompanying adaptor bracket.
  - For the Apple Lightning kit, position the charge adaptor so the cable points to the left (Figure 39).
  - For the micro USB kit, refer to the order form to determine which option the customer selected, A or B. Position the charge adaptor so the cable points the correct way (Figures 40 and 41).



**Figure 39 (Apple Lightning connector)**



**Figure 40 (micro USB, option A)**



**Figure 41 (micro USB, option B)**

6. Reassemble the adaptor using the clamp and black machine thread screws removed in step 3 of this section (Figures 42 and 43).



**Figure 42 (Front)**



**Figure 43 (Back)**

7. Secure the assembly to the screw base using the silver self-tapping screws removed in step 2 of this section (Figure 44).



**Figure 44**

8. Press the cable into the channel in the dock base (Figure 45) and plug the free end of the cable into the center console connector (Figure 46).

**NOTE:** Make sure the cable is plugged into the connector so that the wire makes a 180 degree bend.



**Figure 45**



**Figure 46**

9. Reinstall the mat over the dock base.

**NOTE:** Make sure to avoid damaging the flocking on the console interior.

10. Verify the phone charger works by connecting either a compatible phone or the customer's phone to the charger.

**NOTE:** When discussing how to operate the phone adaptor with the customer, make sure to mention the following items:

- The main purpose of the phone adaptor is to charge the customer's phone; they will not be able to control the device with the Model S touch screen.
- A protective phone case will prevent a secure charging connection with the device.
- The blank adaptor is theirs to keep should they choose to convert back to it at a later date.

---

**Affected VIN(s)** Affected Model S vehicles built before approximately April 11, 2016.

**NOTE:** This is a simplified summary of the affected VIN list. Refer to the VIN/Bulletin Tracker or Customer/Vehicle profile to determine applicability of this bulletin for a particular vehicle.

For feedback on the accuracy of this document, email [ServiceBulletinFeedback@tesla.com](mailto:ServiceBulletinFeedback@tesla.com).